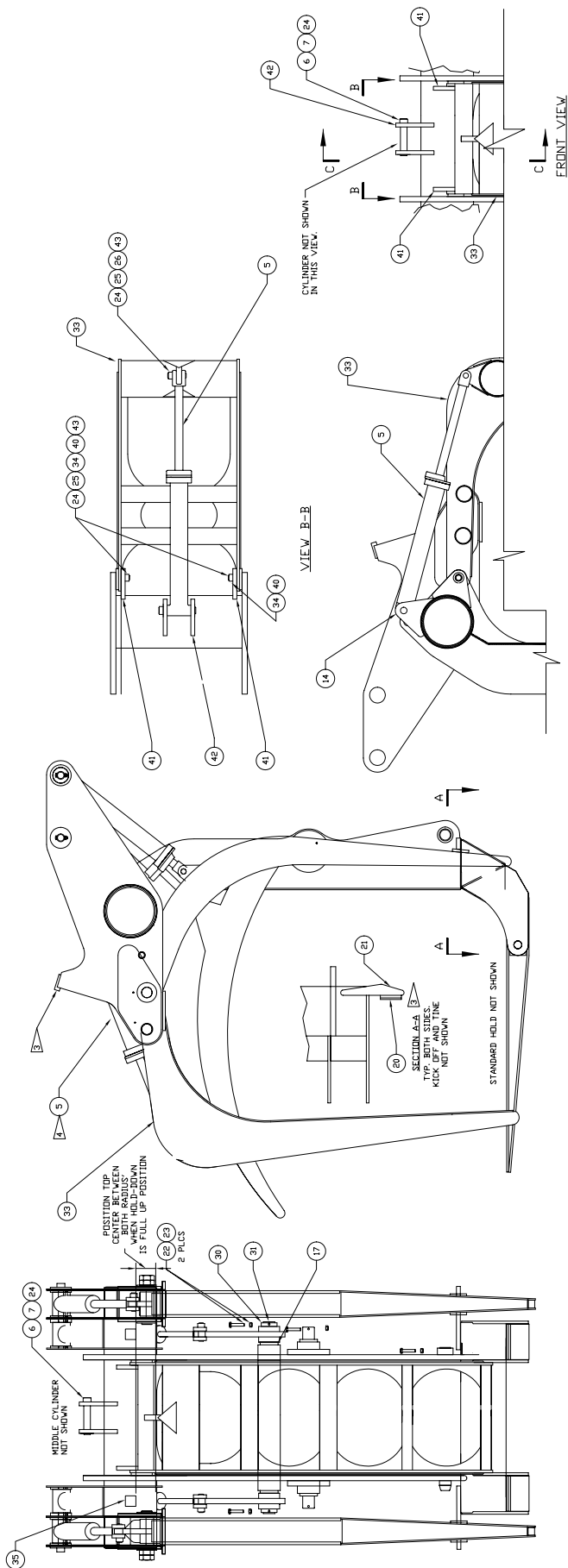


---

Carriage Assembly



- ▶ ADD SHIMS IF NEEDED TO LEVEL TINES WITH EACH OTHER. WELD SHIM IN BETWEEN ITEM 1 AND ITEM 10.
- ▶ SET BACKWELL CYLINDER AT FINAL ASSY.
- ▶ USE ITEM 8 & 9 IN ANY ORDER TO OBTAIN 9" WIDTH BETWEEN SIDE ITEM 8 TO BE CONCENTRIC WITH ITEM 9 WITHIN .001
- ▶ POSITION WITH RES CYLINDER SHIM EXTENSION

## Carriage Assembly

Item	Part No.	Qty	Description	Item	Part No.	Qty	Description
	<b>577516</b>		<b>Carriage Assembly</b>				
1	577493	1	. Carriage	22	219886	5	. Capscrew
2	577522	2	. Holddown Assembly	23	230897	5	. Nut, Esna
3	573768	2	. Kickoff Assembly	24	231625	7	. Capscrew
4	526133	2	. Tine	25	224202	7	. Nut, Esna
5	* 526164	7	. Hydraulic Cylinder, HD & KO	26	541616	7	. Pin
6	500418	3	. Pin	27	562555	4	. Spacer
7	508552	5	. Lock Collar	28	577539	2	. Holddown Assembly, Auxiliary
8	573718	10	. Boss	29	577544	2	. Boss
9	573813	8	. Boss	30	527760	2	. Lock Collar
10	526294	2	. Pin Assembly	31	577514	1	. Pin
11	220275	2	. Pin, Cotter	32	577515	2	. Pin
12	577543	1	. Pin	33	577546	1	. Holddown, Auxiliary
13	523108	1	. Lock Collar	34	515546	2	. Lock Collar
14	09429820	2	. Capscrew	35	577717	2	. Plate, Stop
15	220918	2	. Nut, Esna	40	574032	2	. Pin
16	519440	2	. Plate	41	573808	2	. Plate, Pivot
17	519324	4	. Bushing	42	573806	2	. Plate, Pivot
18	573783	4	. Pin Assembly	43	501571	3	. Bush
19	219928	8	. Nut, Jam				
20	573727	2	. Plate, Stop				* See Separate Coverage
21	573728	2	. Plate, Stop				