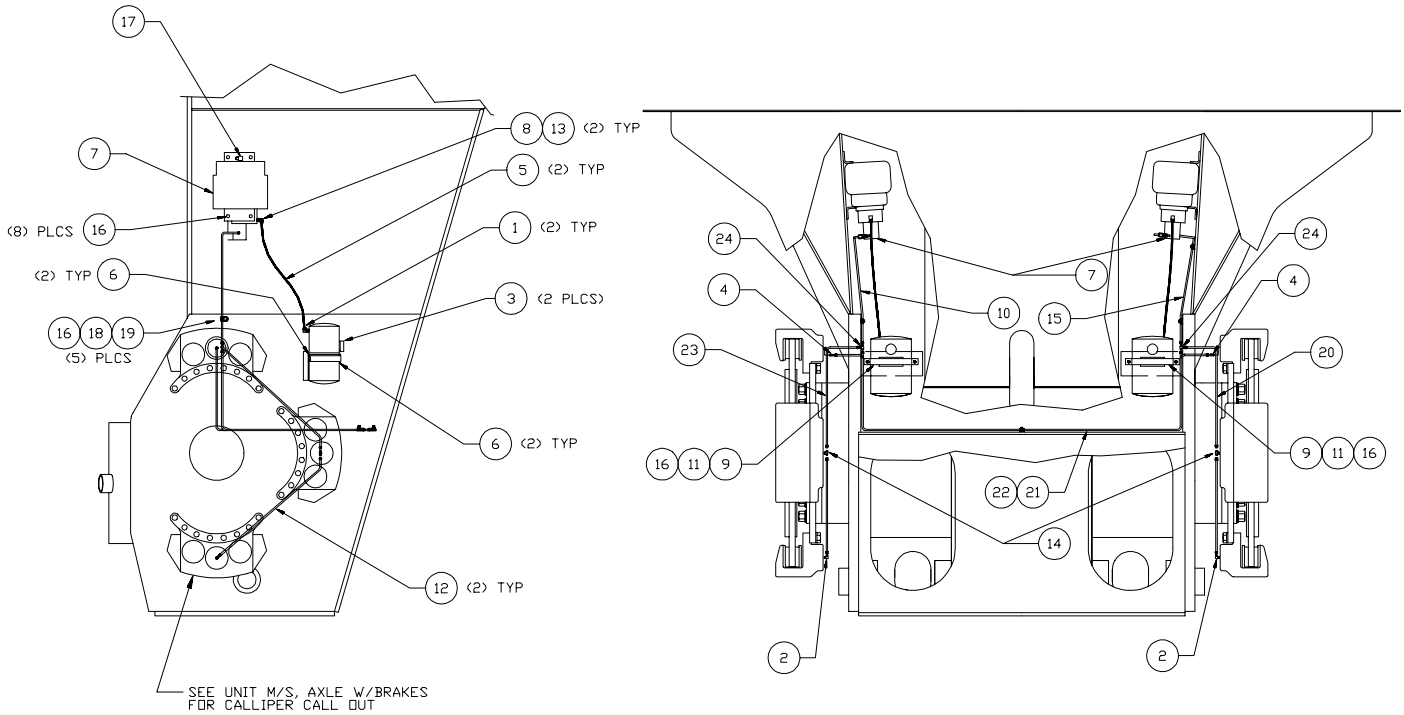


Hydraulic Brake System



**NOTE:**  
SEE UNIT M/S, AIR SYSTEM VEH. FOR CONTINUATION OF CIRCUIT.

Item	Part No.	Qty	Description	Item	Part No.	Qty	Description
<b>577389 Hydraulic Brake System</b>							
1	209317	2	. Fitting	13	00119931	2	. Bushing, Reducer
2	209486	2	. Fitting	14	218666	2	. Fitting
3	215905	2	. Tank	15	577390	1	. Tube Assembly
4	209083	2	. Fitting	16	223654	21	. Nut, Esna
5	207851	2	. Hose Assembly	17	209414	2	. Fitting
6	527667	4	. Pad	18	230282	5	. Flat Washer
7	220267	2	. Actuator	19	231593	5	. Clamp
8	209394	2	. Fitting	20	577372	1	. Tube Assembly, LH
9	527430	2	. Band	21	577397	1	. Tube Assembly
10	577391	1	. Tube Assembly	22	577396	1	. Tube Assembly
11	201604	4	. Capscrew	23	577371	1	. Tube Assembly, RH
12	572573	2	. Tube Assembly	24	215076	2	. Fitting