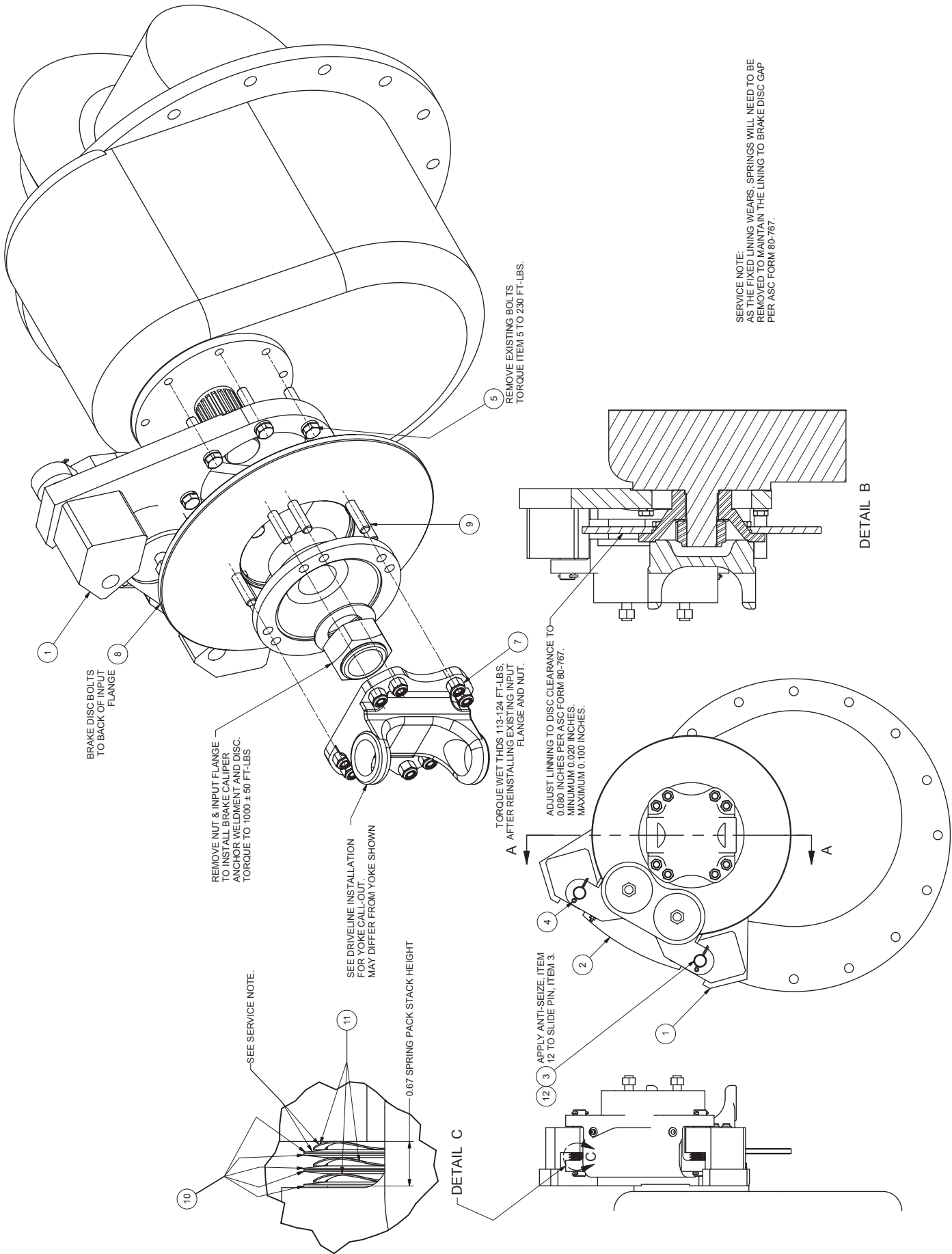


---

**Parking Brake Installation**



## Parking Brake Installation

Item	Part No.	Qty	Description	Item	Part No.	Qty	Description
	<b>577316</b>		<b>Parking Brake Installation</b>				
1	577312	1	. Anchor, Brake	8	558601	1	. Disc
2	* 244409	1	. Caliper, Parking Brake	9	221630W	8	. Capscrew
3	577287	2	. Pin	10	254544	10	. Spring, Belleville Disc
4	212255	4	. Cotter Pin	11	254545	6	. Spring, Wave Disc
5	221636W	8	. Capscrew	12	244264	AR	. Anti-Seize, Copper Grade
7	Y17D-10	8	. Locknut				

\* See Separate Coverage  
AR As Required