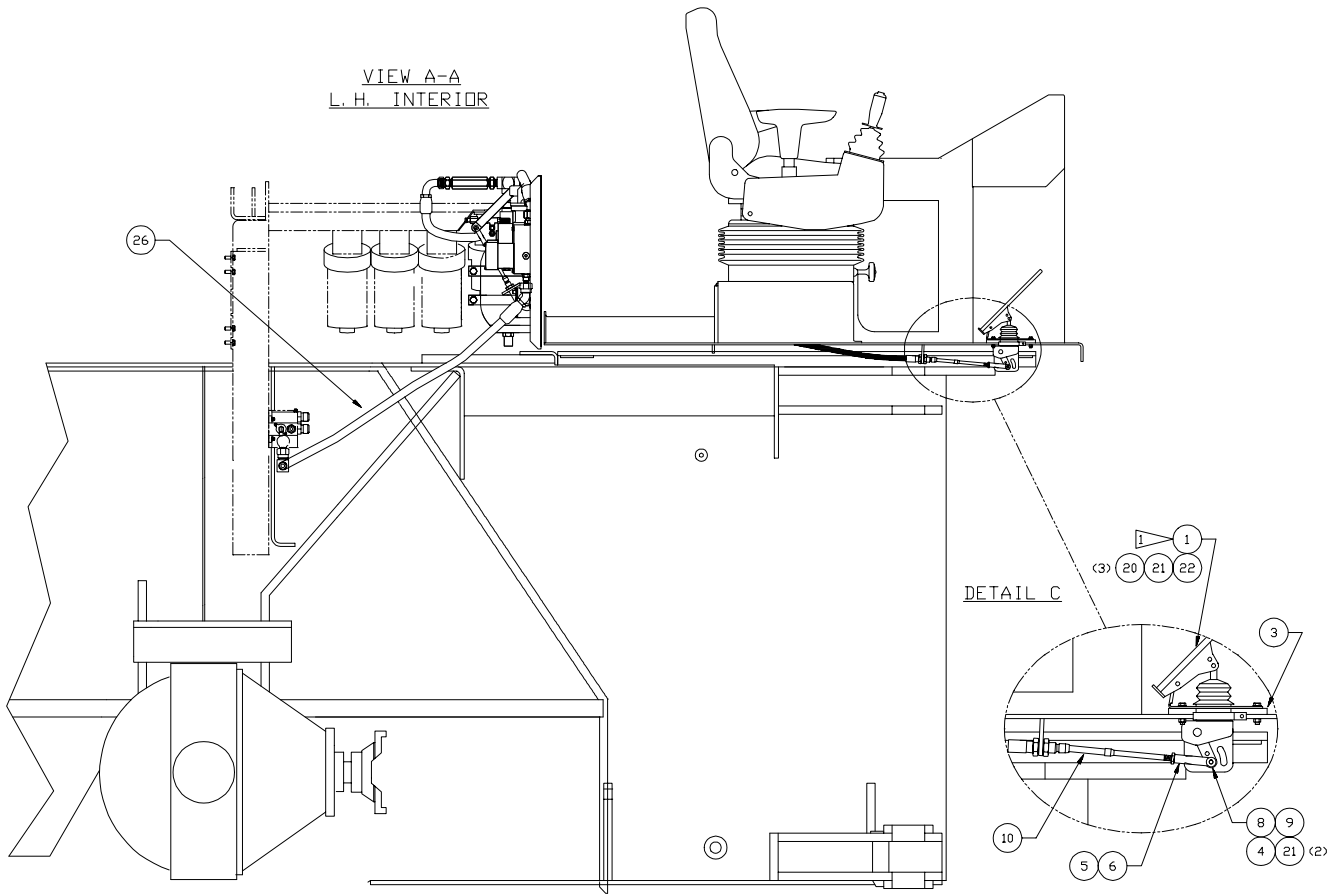
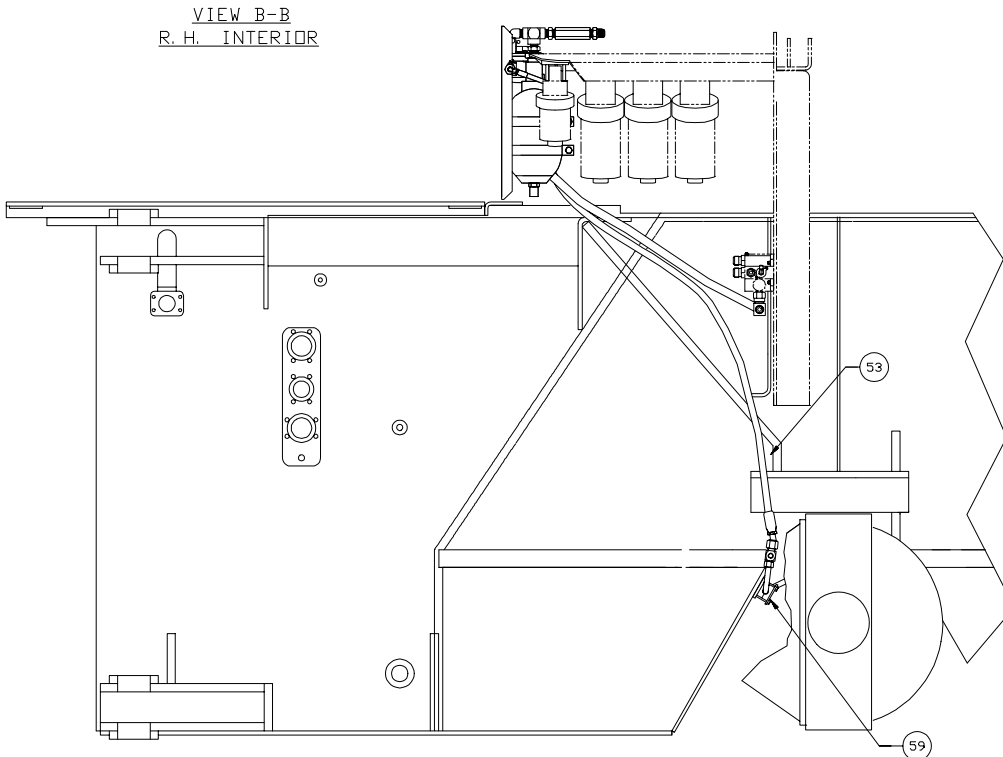
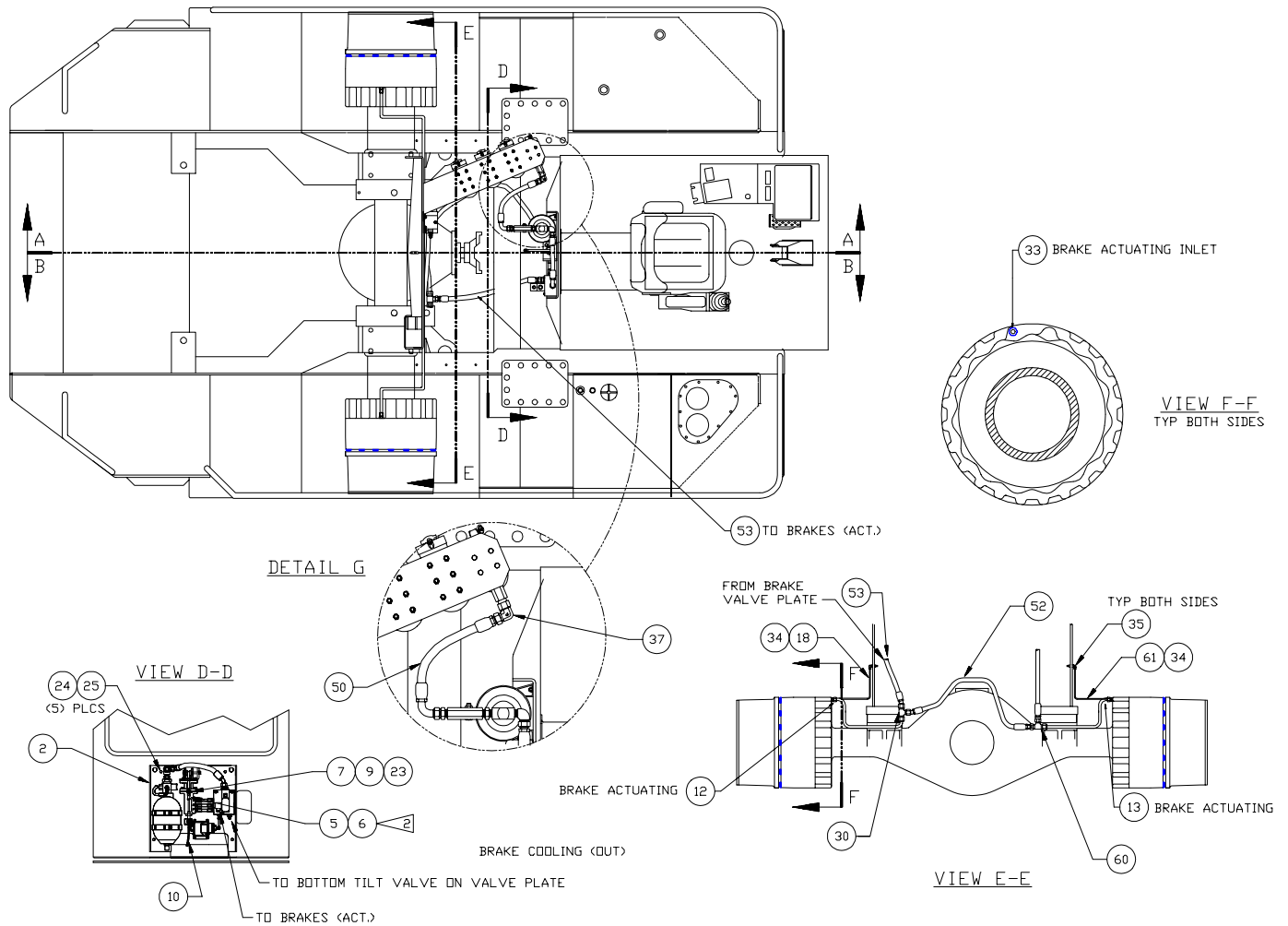

Hydraulic Brake System



▶ SET PEDAL ANGLE TO 53° (HIGH POSITION).



Hydraulic Brake System



2 ADJUST CABLE FOR FULL PEDAL STROKE AND PROVIDE SLACK FOR THE THE BRAKE VALVE TO BE FULLY RETRACTED IN THE RESTED POSITION.

Item	Part No.	Qty	Description	Item	Part No.	Qty	Description
577183 Hydraulic Brake System							
1	* R14385	1	. Pedal Assembly	24	222600	5	. Capscrew
2	* 574788	1	. Brake Valve Module	25	540288	5	. Pad
3	574771	1	. Mounting Plate	26	209960	1	. Hose Assembly
4	240966	2	. Bearing	30	225283	1	. Fitting
5	00104037	2	. Clevis, Rod End	33	226534	2	. Fitting
6	00114493	2	. Nut, Jam	34	209083	2	. Fitting
7	00103495	1	. Pin, Clevis	35	R1992651	2	. Screw, Bleeder
8	17892	1	. Pin, Clevis	37	209166	1	. Fitting
9	00103363	2	. Pin, Cotter	50	18007	1	. Hose Assembly
10	240985	1	. Cable	52	244449	1	. Hose Assembly
12	575047	1	. Tube Assembly	53	241171	1	. Hose Assembly
13	575050	1	. Tube Assembly	59	224755	2	. Clamp
18	575086	1	. Tube Assembly, LH	60	14793	1	. Fitting
20	234864	3	. Capscrew	61	575085	1	. Tube Assembly, RH
21	230282	19	. Flat Washer				
22	224209	3	. Nut, Esna				
23	223428	1	. Flat Washer				

* See Separate Coverage