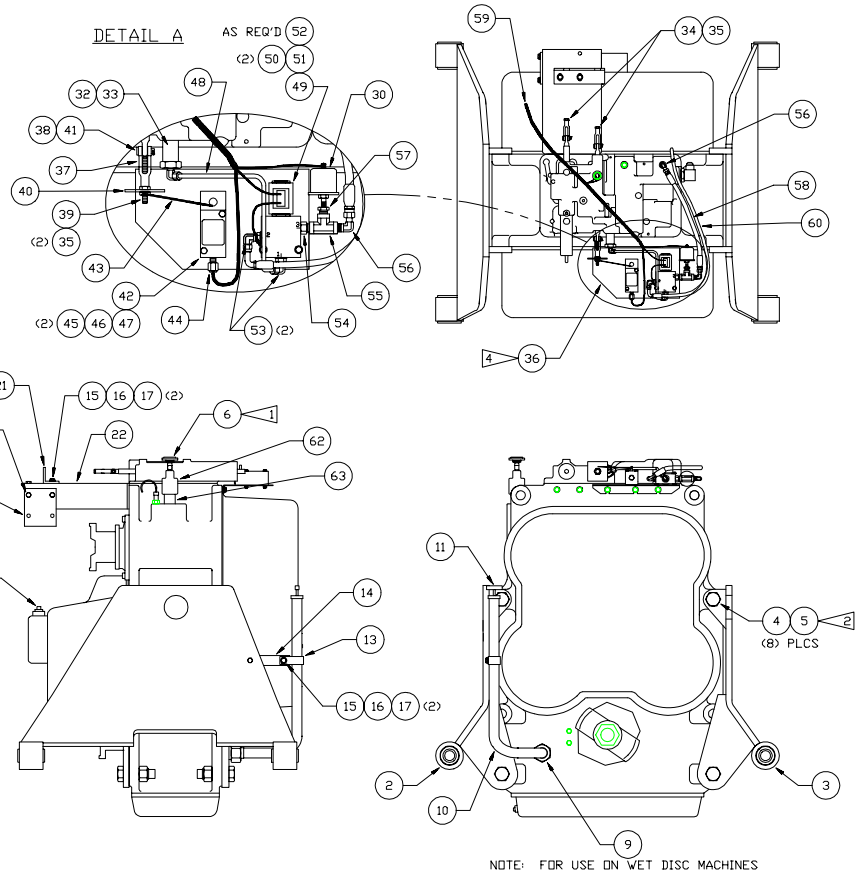


Transmission Installation

- 1 ▷ RELOCATE BREATHER AS SHOWN AND PLUG THE PORT WHERE THE BREATHER WAS PREVIOUSLY LOCATED.
- 2 ▷ TORQUE 1-1/8 12 NF BOLTS BETWEEN 1050 TO 1150 FT-LBS
- 4 ▷ USE EXISTING HARDWARE FOR MTG.



Item	Part No.	Qty	Description	Item	Part No.	Qty	Description
577182 Transmission Installation							
1	* 231689	1	. Transmission	35	00114493	4	. Nut, Jam
2	568040	1	. Transmission Mounting Assy, RH	36	577351	1	. Plate, Mounting
3	568084	1	. Transmission Mounting Assy, LH	37	00104037	1	. Clevis, Rod End
4	229080	8	. Capscrew	38	00103363	1	. Pin, Cotter
5	224123	8	. Nut, Esna	39	536993	1	. Rod
6	215016	1	. Fitting	40	577352	1	. Bar
7	209538	2	. Clamp Half	41	00103495	1	. Pin, Clevis
9	225025	1	. Fitting	42	226988	1	. Switch, Micro
10	569910	1	. Dipstick Tube Assembly	43	226989	1	. Switch
11	569908	1	. Dipstick Assembly, Transmission	44	223774	1	. Connector, Cord
12	218815	1	. Fitting	45	237760	2	. Capscrew
13	209700	1	. Clamp	46	223799	2	. Nut, Esna
14	568504	1	. Bar	47	00103338	2	. Flat Washer
15	201634	7	. Capscrew	48	574292	1	. Tube Assembly
16	230282	4	. Flat Washer	49	* 237649	1	. Solenoid Valve, Declutch
17	223654	7	. Nut, Esna	50	223501	2	. Capscrew
19	00103881	1	. Plug, Pipe	51	224209	2	. Nut, Esna
20	556580	1	. Plate, Guard	52	00116079	6	. Flat Washer
21	558375	1	. Angle	53	223784	2	. Fitting
22	557039	1	. Bracket	54	15503	1	. Fitting
23	222379	10	. Capscrew	55	220596	1	. Fitting
24	200604	10	. Lockwasher	56	209406	2	. Fitting
25	222615	2	. Flat Washer	57	209500	1	. Fitting
26	513759	1	. Flange	58	217318	1	. Hose Assembly
27	203519	2	. O-Ring	59	574290	1	. Wire Harnesses
28	209619	1	. Fitting	60	241195	1	. Hose Assembly
29	209167	2	. Fitting	61	15280	1	. Fitting
30	242496	1	. Sender, Oil Pressure	62	225059	1	. Fitting
31	209714	1	. Fitting	63	229506	1	. Fitting
32	237556	1	. Actuator, Declutch				
33	209405	1	. Fitting				
34	224656	2	. Clevis				

* See Separate Coverage