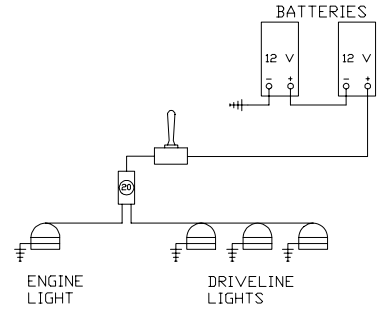
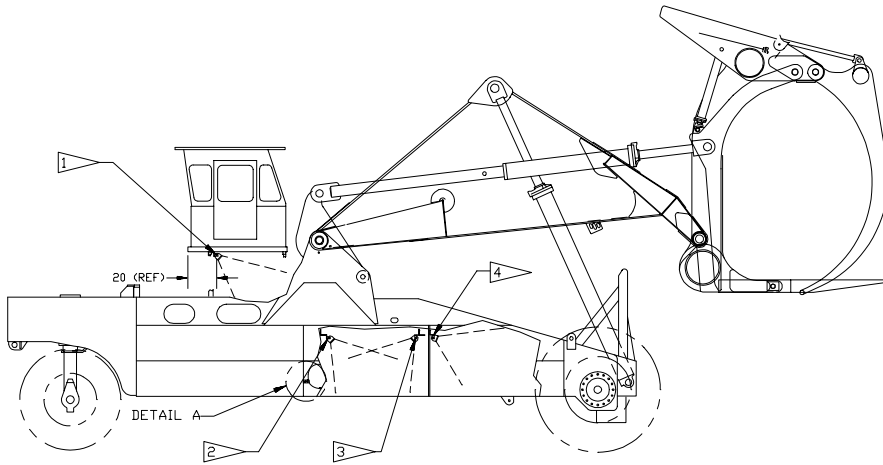
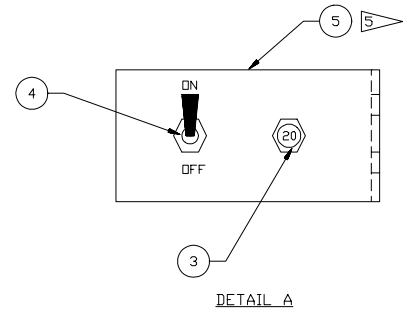
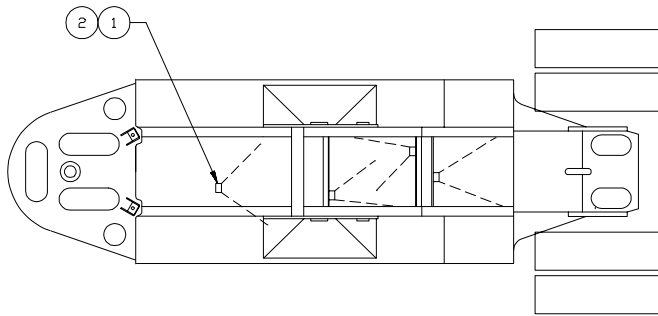


Main Light Option



LIGHTS WIRING DIAGRAM



NOTES:

- 1 POINT DOWN AT ENGINE.
- 2 POINT DOWN TOWARDS TRANSMISSION
- 3 POINT DOWN TOWARDS ENGINE BLOCK
- 4 POINT DOWN TOWARDS DIFFERENTIAL.
- 5 ATTACH BRACKET IN BATTERY COMPARTMENT.

| Item | Part No. | Qty | Description | Item | Part No. | Qty | Description |
|------|---------------|-----|--------------------------|------|----------|-----|------------------|
| | 577156 | | Main Light Option | | | | |
| 1 | R13659 | 4 | . Lamp | 4 | 219117 | 1 | . Switch, Toggle |
| 2 | 575942 | 4 | . Light Hosing | 5 | 577146 | 1 | . Bracket |
| 3 | 223377 | 1 | . Circuit Breaker | | | | |