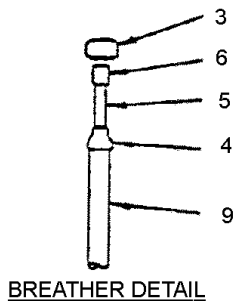
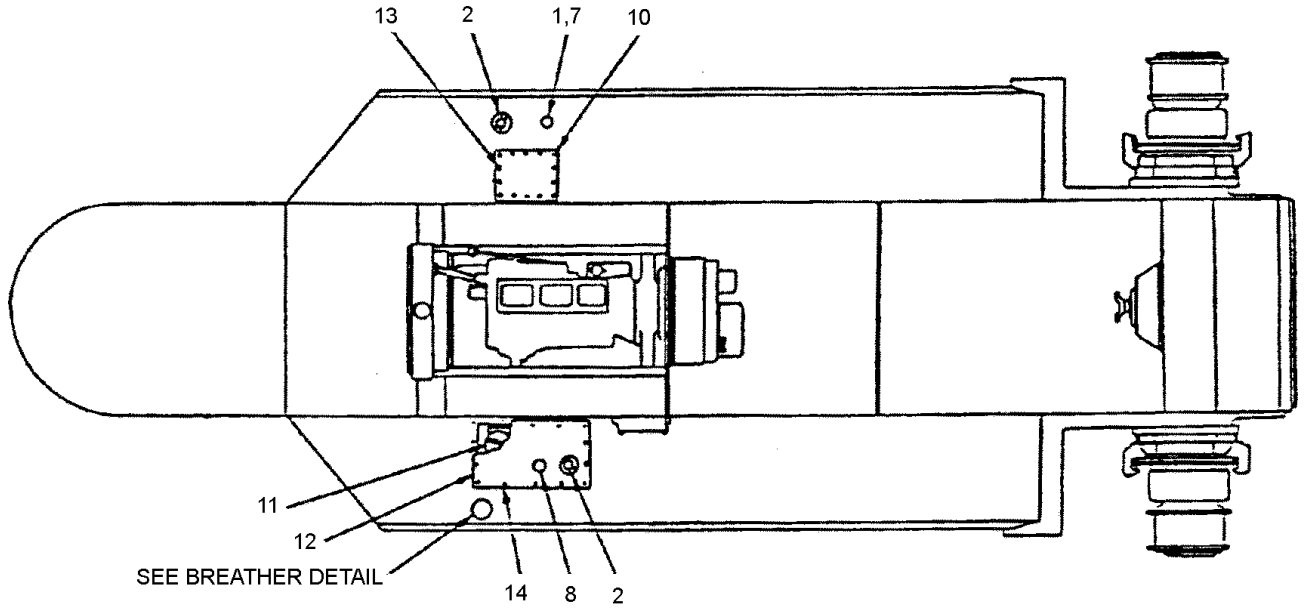


Chassis Assembly



Item	Part No.	Qty	Description	Item	Part No.	Qty	Description
	<b>577032</b>		<b>Chassis Assembly</b>				
1	204904	1	. Gauge	9	504067	1	. Fuel Fill Pipe
2	208202	2	. Cap	10	551549	1	. Gasket
3	211610	1	. Breather	11	* 509413	2	. Strainer, Hydraulic
4	221753	1	. Fitting	12	551533	1	. Gasket
5	222352	1	. Fitting	13	551548	1	. Plate, Cover
6	222353	1	. Fitting	14	551545	1	. Plate, Cover
7	501187	1	. Standpipe				
8	503407	1	. Dipstick				* See Separate Coverage