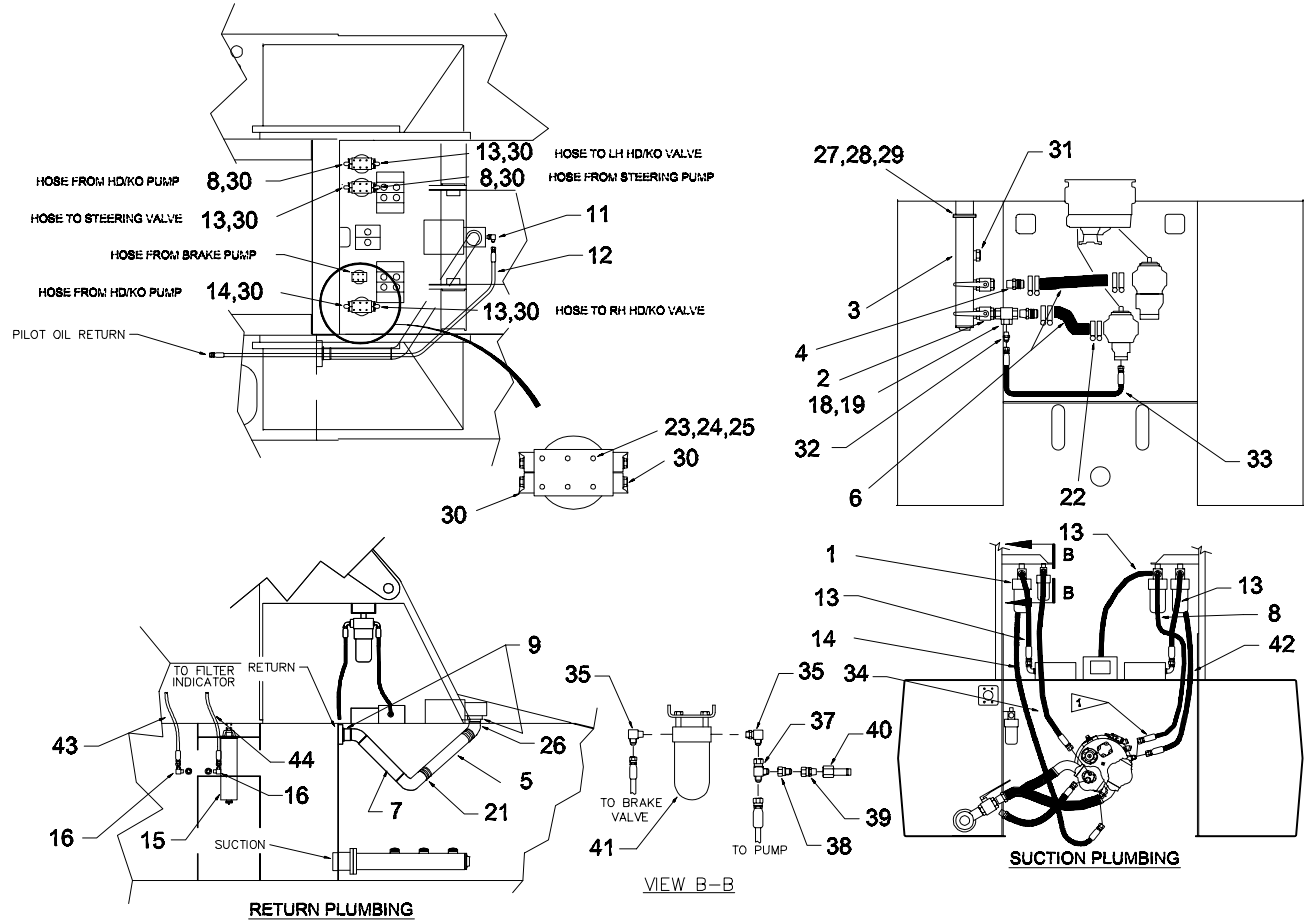


Hydraulic System - Chassis



Item	Part No.	Qty	Description	Item	Part No.	Qty	Description
Hydraulic System-Chassis							
1	* 228201	3	. Filter, Pressure	25	223427	18	. Washer, Flat
2	228321	2	. Valve, Ball	26	564238	1	. Elbow
3	563832	1	. Manifold Assembly, Suction	27	00271564	4	. Capscrew
4	220532	2	. Fitting	28	00103331	4	. Washer, Lock
5	215279	4'	. Hose, Suction	29	203543	1	. O-Ring
6	211791	8'	. Hose, Radiator	30	11767	6	. Kit, Split Flange
7	568432	1	. Pipe		203516	1	. O-Ring
8	229541	1	. Hose Assembly		209537	2	. Clamp Half
9	225661	2	. Kit, Split Flange		222379	4	. Capscrew
	203528	1	. O-Ring		200604	4	. Lockwasher
	230769	2	. Clamp Half	31	238122	1	. Fitting
	229082	4	. Capscrew	32	209763	1	. Fitting
	200607	4	. Lockwasher	33	23546	1	. Hose Assembly
10	222161	1	. Coupling, Pipe	34	243154	1	. Hose Assembly
11	209488	1	. Fitting	35	12666	2	. Fitting
12	228453	1	. Hose Assembly	37	209087	1	. Fitting
13	242411	3	. Hose Assembly	38	14151	1	. Fitting
14	243152	1	. Hose Assembly	39	12786	1	. Fitting
15	* 224350	2	. Filter, Return	40	228040	1	. Coupler, Male
16	209406	2	. Fitting	41	228200	1	. Filter, Pressure
18	221940	1	. Fitting	42	243153	1	. Hose Assembly
19	222421	1	. Fitting	43	208858	1	. Hose Assembly
21	229187	4	. Clamp, Hose	44	207995	1	. Hose Assembly
22	216042	8	. Clamp, T-Bolt				
23	201611	18	. Capscrew				
24	201567	18	. Washer, Lock				

* See Separate Coverage