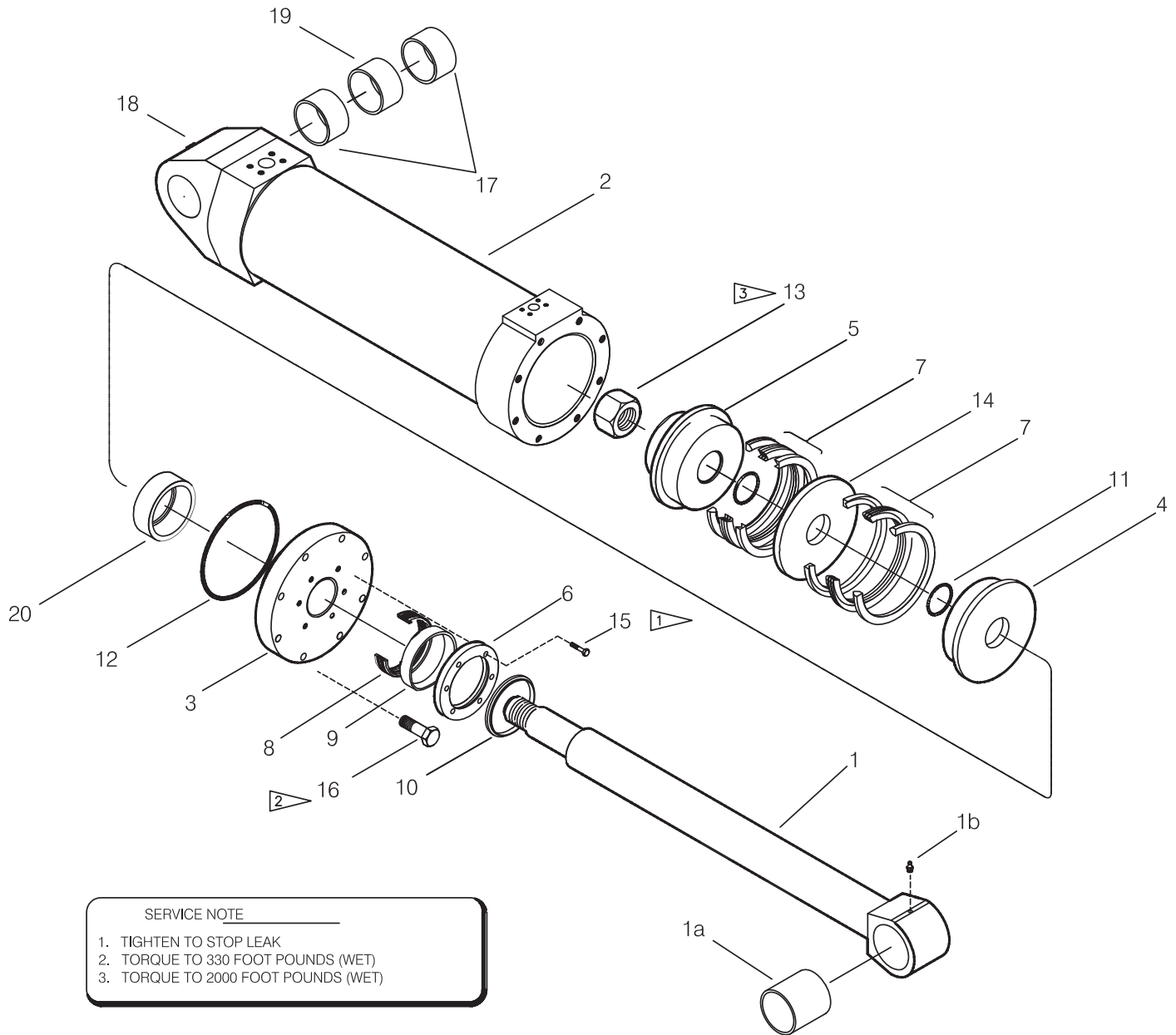


Hydraulic Cylinder



SERVICE NOTE

1. TIGHTEN TO STOP LEAK
2. TORQUE TO 330 FOOT POUNDS (WET)
3. TORQUE TO 2000 FOOT POUNDS (WET)

Item	Part No.	Qty	Description	Item	Part No.	Qty	Description
	574863		Hydraulic Cylinder				
1	572049	1	. Stem & Eye	11	* 203521	2	. O-Ring
1a	572055	1	. . Bushing	12	* 16783W	1	. O-Ring
1b	00191758	1	. . Fitting, Lube	13	244433	1	. Locknut
2	572050	1	. Barrel	14	512520	1	. Plate, Spacer
3	572051	1	. Packing Gland	15	220875	6	. Capscrew
4	512519	1	. Piston	16	R13807969	8	. Capscrew
5	572073	1	. Piston	17	508766	2	. Bushing
6	557438	1	. Retainer, Stem	18	00191758	1	. Fitting, Lube
7	* 566431	2	. Packing, 8	19	572854	1	. Tube, Spacer
8	* 566438	1	. Packing, Stem, 4	20	574864	1	. Tube, Spacer
9	505722	1	. Bushing				
10	* 206644	1	. Wiper Ring				

* Included in Packing Kit 572058