
Transmission

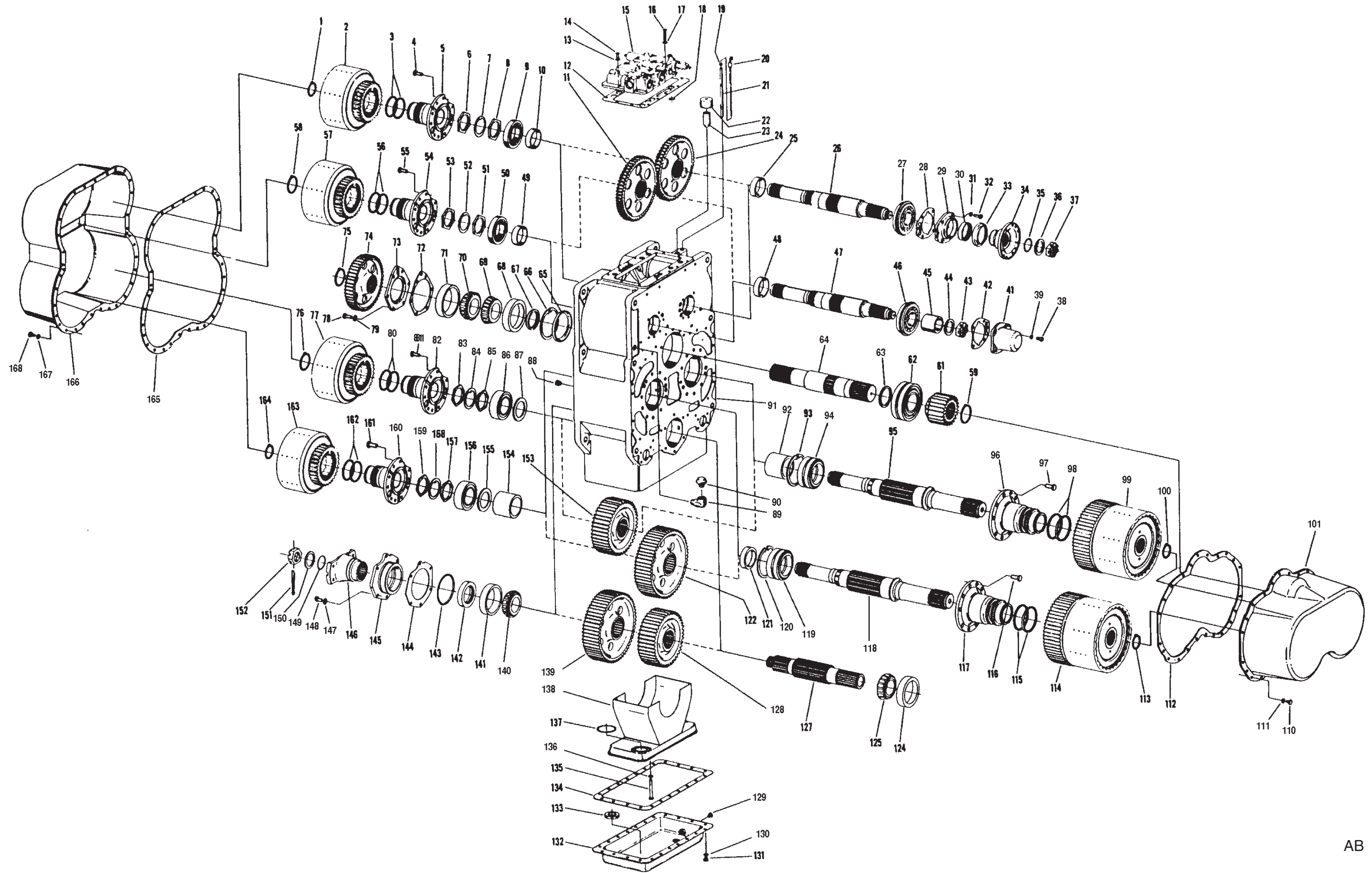
Transmission

Item	Part No.	Qty	Description	Item	Part No.	Qty	Description
	574717		Transmission				
1	*a 234564	1	. Snap Ring	65	212263	1	. Oil Shield
2	-----	1	. Input Clutch See Pg 6	66	*a 212264	1	. Snap Ring
3	*a 221129	2	. Piston Ring	67	212265	1	. Spacer
3A	*a 221130	2	. Expander Ring	68	*a 30100W	1	. Bearing Cup
4	227832	8	. Capscrew	69	*a 30101W	1	. Bearing Cone
5	222866	1	. Clutch Support Asm	70	*a 30101W	1	. Bearing Cone
6	200694	1	. Lock Nut	71	*a 30100W	1	. Bearing Cup
7	*a 200696	1	. Lock Ring	72	*a 229990	A/R	. Bearing Cap Shim
8	200694	1	. Lock Nut	72A	229991	A/R	. Bearing Cap Shim
9	*a 217526	1	. Bearing	72B	*a 229992	A/R	. Bearing Cap Shim
9A	214779	1	. Lock Ball	73	212270	1	. Bearing Cap
10	212232	1	. Bearing Spacer	74	217528	1	. Idler Shaft Gear, 47 Teeth
11	217528	1	. Reversed Shaft Gear	75	*a 212271	1	. Snap Ring
12	*a 212234	1	. Gasket	76	*a 234564	1	. Snap Ring
13	200603	11	. Lockwasher	77	-----	1	. 3rd Speed Clutch See Pg 6
14	200566	11	. Capscrew	78	212251	6	. Capscrew
15	212235	1	. Control Valve See Pg 8	79	200604	6	. Lockwasher
16	212236	2	. Capscrew	80	*a 221129	2	. Piston Ring
17	200603	2	. Lockwasher	80A	*a 221130	2	. Expander Spring
18	*a 212237	8	. O Ring	81	237295	8	. Capscrew
19	217527	1	. Dipstick Housing	82	222866	1	. Clutch Support Asm
20	214766	1	. Dipstick	83	200694	1	. Lock Nut
21	214767	1	. Dipstick Tube	84	*a 200696	1	. Lock Ring
22	214768	1	. Filler Cap	85	200694	1	. Lock Nut
23	214769	1	. Inner Pipe	86	*a 212272	1	. Roller Bearing
24	217528	1	. Input Shaft Gear	86A	214779	1	. Lock Ball
25	212245	1	. Spacer	87	212273	1	. Spacer
26	212246	1	. Input Shaft	88	212274	1	. Oil Level Plug
27	*a 212247	1	. Bearing	89	214773	1	. Breather Fitting
28	*a 212248	1	. Gasket	90	212243	1	. Breather
29	212249	1	. Bearing Cap	91	-----	1	. Trans Case Asm See Pg 5
30	*a 212250	1	. Oil Seal	92	212276	1	. Spacer
31	200604	5	. Lockwasher	93	*a 212277	1	. Snap Ring
32	212251	5	. Capscrew	94	*a 212278	1	. Tapered Bearing
34	213312	1	. Input Flange	94A	214775	1	. Lock Pin
35	*a 212253	1	. O Ring	95	241136	1	. Shaft
36	212254	1	. Washer	96	212280	1	. Clutch Support Asm
37	201250	1	. Nut	97	238092	9	. Capscrew
38	212251	5	. Capscrew	98	*a 212282	2	. Piston Ring
39	200604	5	. Lockwasher	99	-----	1	. 1st Speed Clutch See Pg 7
41	212256	1	. Bearing Cap	100	*a 12940W	1	. Snap Ring
42	*a 212248	1	. Gasket	101	214777	1	. Clutch Cover
43	R215634	1	. Nut	110	223217	23	. Capscrew
44	212254	1	. Washer	111	223218	23	. Washer
45	212257	1	. Spacer	112	*a 229995	1	. Gasket
46	*a 212247	1	. Bearing	113	*a 12940W	1	. Snap Ring
47	212246	1	. Reversed Shaft	114	-----	1	. 2nd Speed Clutch See Pg 7
48	212245	1	. Spacer	115	*a 212282	2	. Piston Ring
49	212232	1	. Spacer	116	212281	9	. Capscrew
50	*a 217526	1	. Bearing	117	212280	1	. Clutch Support Asm
50A	214779	1	. Lock Ball	118	241136	1	. Shaft
51	200694	1	. Lock Nut	119	*a 212278	1	. Tapered Bearing
52	*a 200696	1	. Lock Ring	119A	214775	1	. Lock Pin
53	200694	1	. Lock Nut	120	*a 212277	1	. Snap Ring
54	222866	1	. Clutch Support Asm	121	212287	1	. Spacer
55	237295	8	. Capscrew	122	212288	1	. Gear, 56 Teeth
56	*a 221129	2	. Piston Ring	124	*a 206540	1	. Bearing Cup
56A	*a 221130	2	. Expander Spring	125	*a 212289	1	. Bearing Cone
57	-----	1	. Reverse Clutch See Pg 6	127	213132	1	. Shaft Asm
58	*a 234564	1	. Snap Ring	128	212294	1	. Gear, 40 Teeth
59	*a 212258	1	. Snap Ring	129	200620	1	. Drain Plug
61	221133	1	. Gear, 26 Teeth	131	223219	22	. Capscrew
62	*a 217661	1	. Roller Bearing	132	212297	1	. Oil Sump
62A	214771	1	. Lock Pin	133	212298	2	. Sump Magnet
63	212261	1	. Spacer	134	*a 212299	1	. Gasket
64	212262	1	. Idler Shaft	135	217019	4	. Capscrew

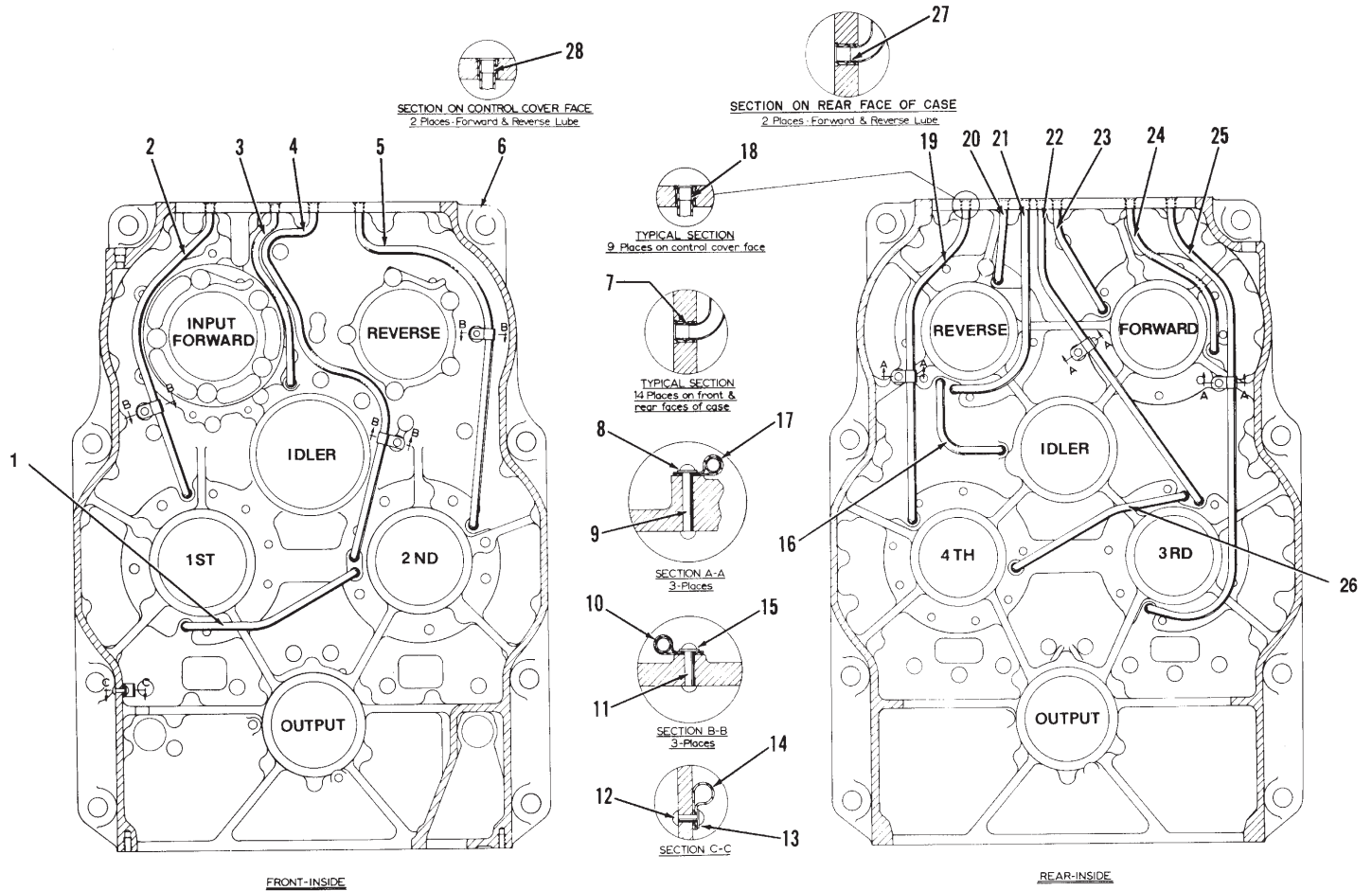
Transmission

Item	Part No.	Qty	Description	Item	Part No.	Qty	Description
136	200602	4	. Lockwasher	154	212276	1	. Spacer
137	*a 214778	1	. Gasket	155	212273	1	. Spacer
138	212302	1	. Sump Screen Asm	156	*a 212272	1	. Roller Bearing
139	221134	1	. Gear, 54 Teeth	156A	214779	1	. Lock Ball
140	*a 212289	1	. Bearing Cone	157	200694	1	. Lock Nut
141	*a 206540	1	. Bearing Cup	158	*a 200696	1	. Lock Ring
142	*a 212303	2	. Oil Seal	159	200694	1	. Lock Nut
143	*a 203540	2	. O Ring	160	222866	1	. Clutch Support Asm
144	*a 212305	A/R	. Shim	161	237295	8	. Capscrew
144A	212306	A/R	. Shim	162	*a 221129	2	. Piston Ring
144B	*a 212307	A/R	. Shim	162A	*a 221130	2	. Expander Spring
145	212308	2	. Bearing Cap	163	-----	1	. 4th Speed Clutch See Pg 6
146	212309	2	. Output Flange	164	*a 234564	1	. Snap Ring
147	200604	12	. Lockwasher	165	*a 212313	1	. Gasket
148	200572	12	. Capscrew	166	575507	1	. Clutch Cover
149	*a 212310	2	. O Ring	166A	212486	2	. Dowel Pin
150	212311	2	. Washer	167	00103341	33	. Washer
151	200616	2	. Cotter Pin	168	223217	33	. Capscrew
152	212312	2	. Nut	169	-----	1	. Emerg Steer Pump Mtg See Pg 9
153	221135	1	. Gear, 42 Teeth				

*a Included in 569043 Transmission Service Kit

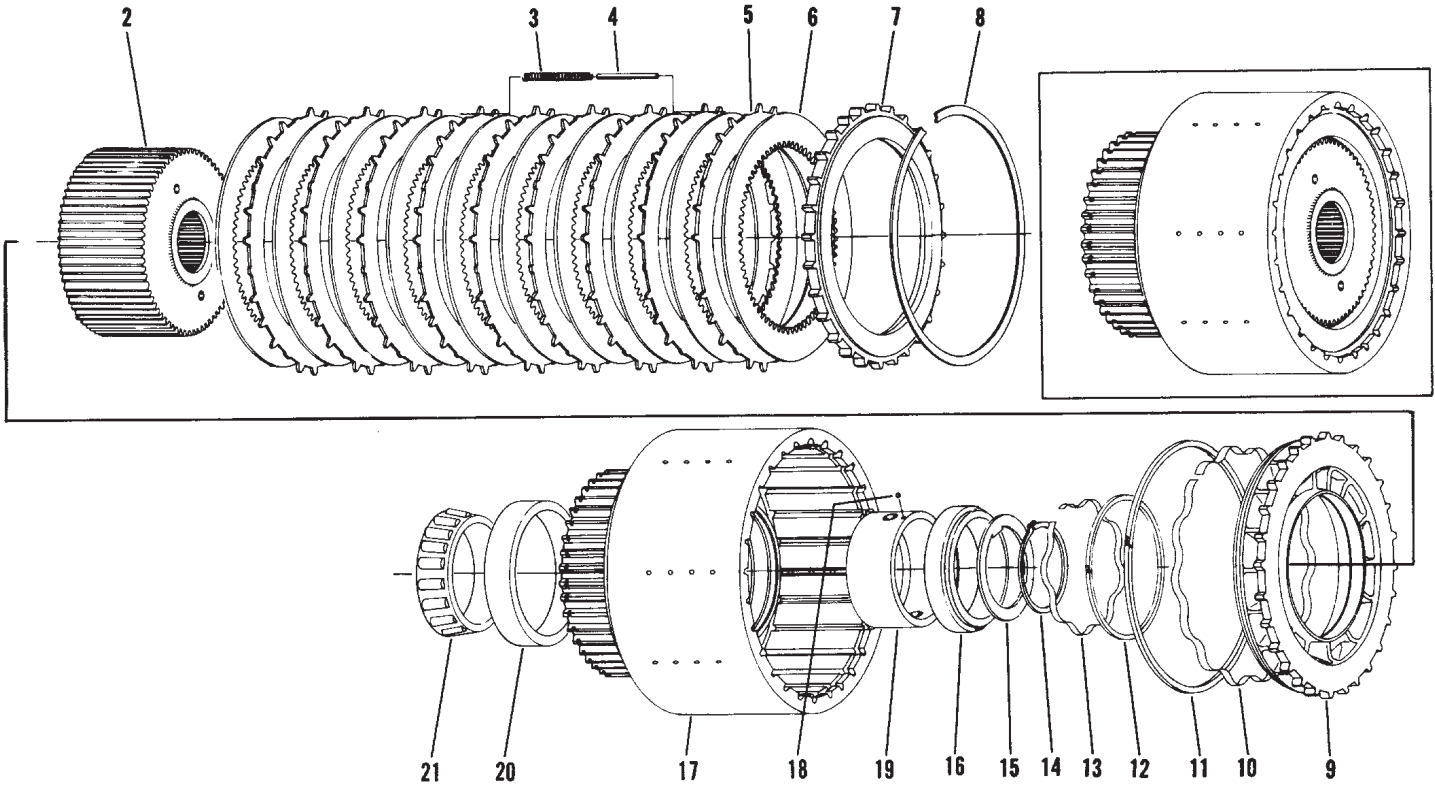


Transmission Case Assembly



Item	Part No.	Qty	Description	Item	Part No.	Qty	Description
	229993		Transmission Case Assembly				
1	212315	1	. Tube	16	212328	1	. Tube
2	212316	1	. Tube	17	212323	3	. Tube Clip
3	223220	1	. Tube	18	212320	9	. Tube Sleeve
4	212317	1	. Tube	19	212329	1	. Tube
5	212318	1	. Tube	20	212330	1	. Tube
6	-----	1	. Trans Case	21	223222	1	. Tube
7	212320	14	. Tube Sleeve	22	212332	1	. Tube
8	223221	3	. Washer	23	223223	1	. Tube
9	212322	3	. Rivet	24	212334	1	. Tube
10	212323	3	. Tube Clip	25	212335	1	. Tube
11	212324	3	. Rivet	26	212336	1	. Tube
12	212325	1	. Rivet	27	219757	2	. Tube Sleeve
13	218466	1	. Washer	28	219757	2	. Tube Sleeve
14	212327	1	. Tube Clip				
15	223221	3	. Washer				

Input, Reverse, 3rd & 4th Clutch Group

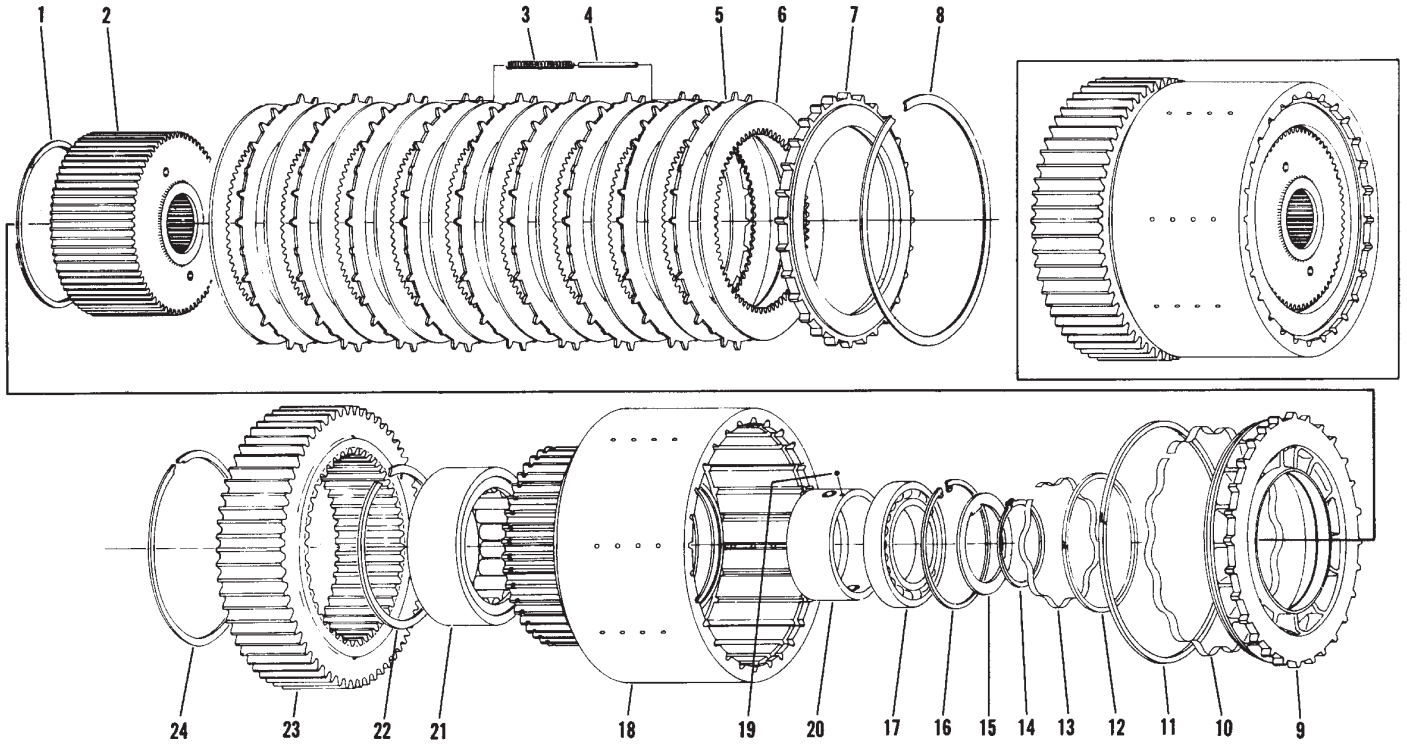


Item	Part No.	Qty	Description	Item	Part No.	Qty	Description
Input, Reverse, 3rd & 4th Clutch Group							
2	212338	1	. Disc Hub Assembly	14	232249	A/R	. Snap Ring
2	241138	1	. Disc Hub & Pump Adaptor, 4th Only	14A	232250	A/R	. Snap Ring
3	212339	8	. Disc Spring	15	232251	A/R	. Washer
4	212340	8	. Disc Spring Pin	15A	232252	A/R	. Washer
5	212341	9	. Outer Disc	15B	232253	A/R	. Washer
6	212342	10	. Inner Disc	16	240238	1	. Bearing Assembly
7	240237	1	. End Plate	17	222889	1	. Clutch Drum Assembly
8	*a 212348	1	. Snap Ring	18	212358	1	. Ball
9	212349	1	. Piston	19	228759	1	. Piston Ring Outer Race
10	*a 230770	1	. Piston Ring Kit, Outer	20	*a 222872	1	. Bearing Cup, Inner
11	-----	1	. Expander Spring	21	*a 222871	1	. Bearing Cone, Inner
12	*a R802237	1	. Piston Ring Kit				
13	-----	1	. Expander Spring				

A/R As Required

*a Included in 569043 Transmission Service Kit

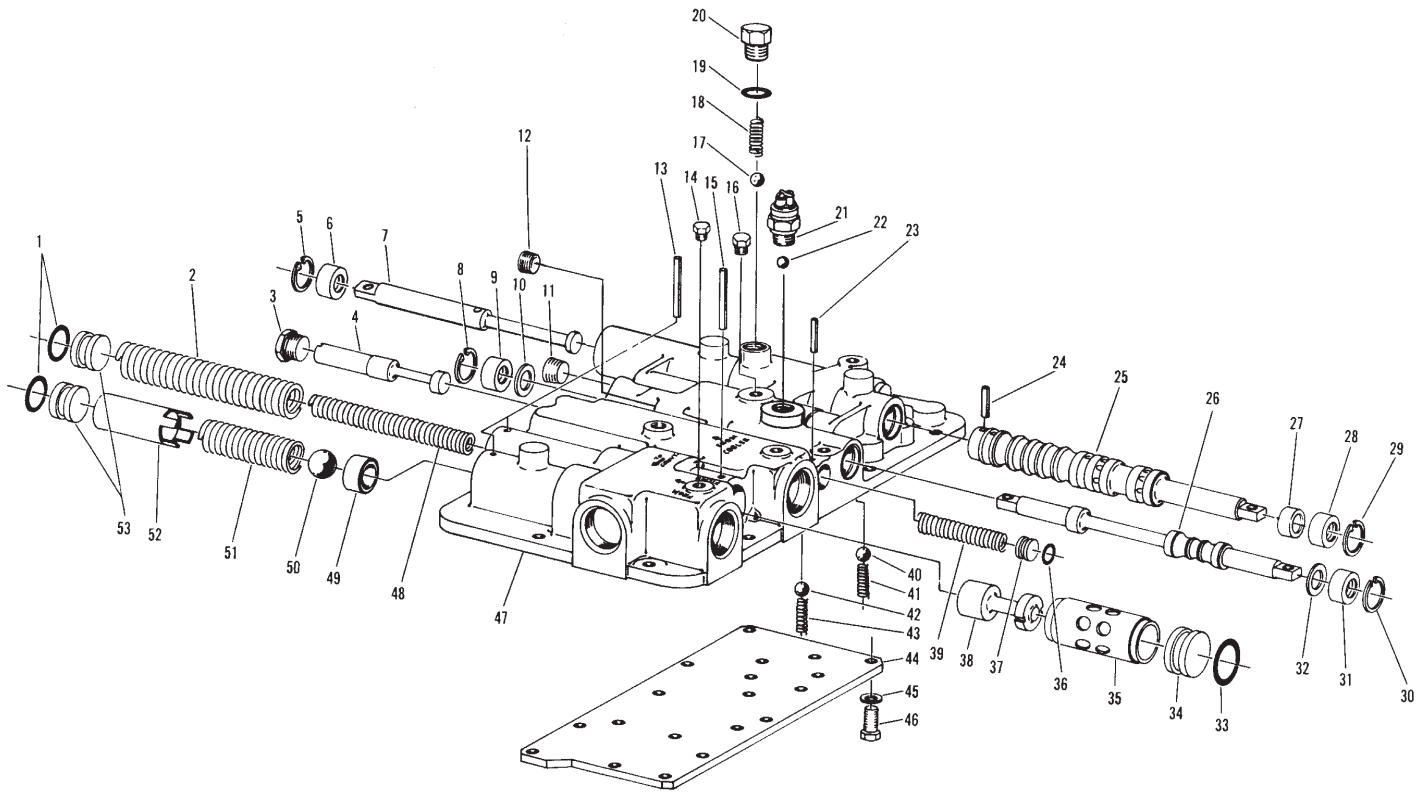
1st & 2nd Clutch Group



Item	Part No.	Qty	Description	Item	Part No.	Qty	Description
1st & 2nd Clutch Group							
1	*a 212362	1	. Oil Baffle Ring	13	*a 229999	1	. Expander Spring, Inner
2	219766	1	. Disc Hub Assembly	14	*a 212258	1	. Snap Ring
3	212339	7	. Disc Spring	15	223227	1	. Bearing Washer
4	212340	7	. Disc Spring Pin	16	*a 212377	1	. Snap Ring
5	212364	9	. Outer Disc	17	*a 212373	1	. Ball Bearing
6	212365	10	. Inner Disc	18	212375	1	. Clutch Drum Assembly
7	212366	1	. End Plate	19	212358	1	. Ball
8	*a 212367	1	. Snap Ring	20	212374	1	. Piston Ring Outer Race
9	212368	1	. Piston	21	*a 221136	1	. Roller Bearing
10	*a 230001	1	. Expander Spring, Outer	22	*a 212372	1	. Snap Ring
11	*a 230002	1	. Piston Ring, Outer	23	221137	1	. Gear
12	*a 230000	1	. Piston Ring, Inner	24	*a 212379	1	. Snap Ring

*a Included in 569043 Transmission Service Kit

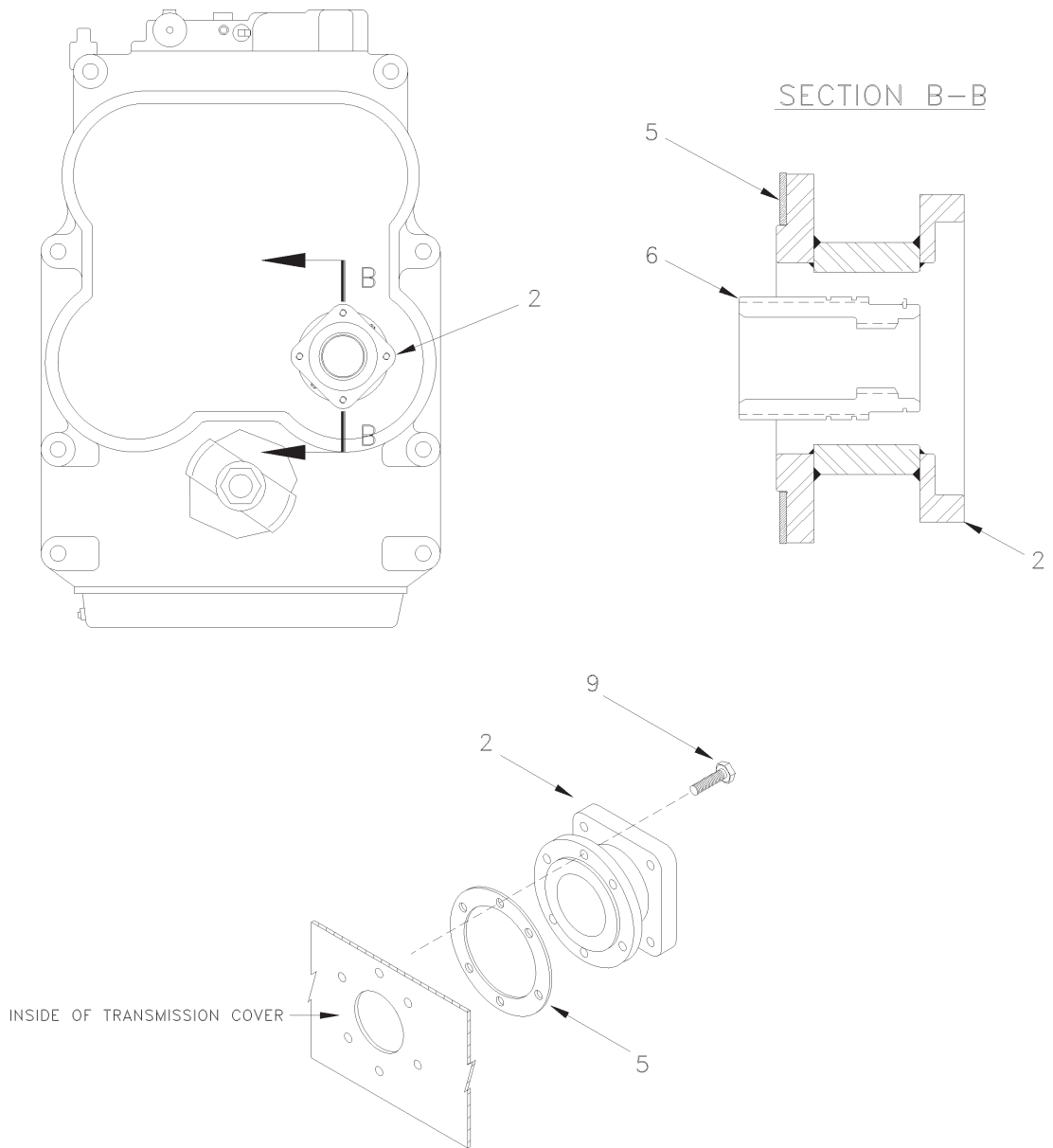
Control Valve



Item	Part No.	Qty	Description	Item	Part No.	Qty	Description
	212235		Control Valve				
1	*a 212380	2	. O Ring	30	*a 212395	1	. Snap Ring
2	212382	1	. Spring	31	*a 222876	1	. Oil Seal
3	212383	1	. Plug	32	212398	1	. Washer
4	212384	1	. Spool	33	*a R13802760	1	. O Ring
5	*a 212385	1	. Snap Ring	34	212409	1	. Spool Stop
6	*a 212394	1	. Oil Seal	35	212410	1	. Spool Sleeve
7	212396	1	. Selector Valve, Inner	36	*a R13802705	1	. O Ring
8	*a 212395	1	. Snap Ring	37	212411	1	. Spool Stop
9	*a 222876	1	. Oil Seal	38	212413	1	. Regulator Spool
10	212398	1	. Washer	39	212414	1	. Spring
11	212399	1	. Pipe Plug	40	212415	1	. Poppet Ball
13	212400	2	. Roll Pin	41	222877	1	. Detent Spring
14	212454	2	. Plug	42	212415	1	. Poppet Ball
15	212400	1	. Roll Pin	43	222877	1	. Detent Spring
16	212401	2	. Plug	44	212419	1	. Cover Plate
19	224230	1	. Washer	45	212418	16	. Lockwasher
20	224229	1	. Plug	46	212417	16	. Capscrew
21	217331	1	. Neutral Switch	47	212424	1	. Control Cover
22	212415	1	. Poppet Ball	48	212425	1	. Valve Spring
23	212402	1	. Roll Pin	49	212426	1	. Safety Valve Seat
24	212403	1	. Roll Pin	50	212427	1	. Safety Valve Ball
25	212406	1	. Selector Valve, Outer	51	212428	1	. Safety Valve Spring
26	212407	1	. Selector Valve, Fwd & Rev	52	212429	1	. Spacer
28	*a 212394	1	. Oil Seal	53	212381	2	. Spool Stop
29	*a 212385	1	. Snap Ring				

*a Included in 569043 Transmission Service Kit

Emergency Steer Pump Mount



Item	Part No.	Qty	Description	Item	Part No.	Qty	Description
Emergency Steer Pump Mount							
2	574721	1	. Pump Mount	6	241139	1	. Shaft, Pump Drive
5	240529	1	. Gasket	9	222600	6	. Capscrew