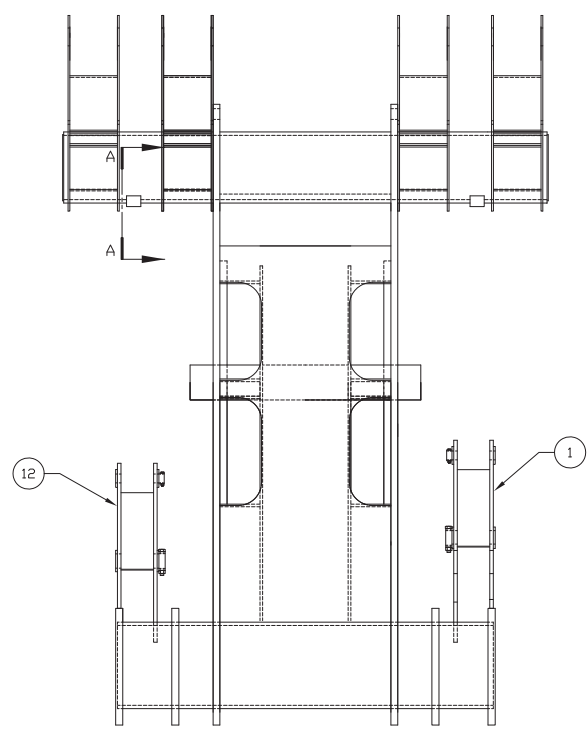
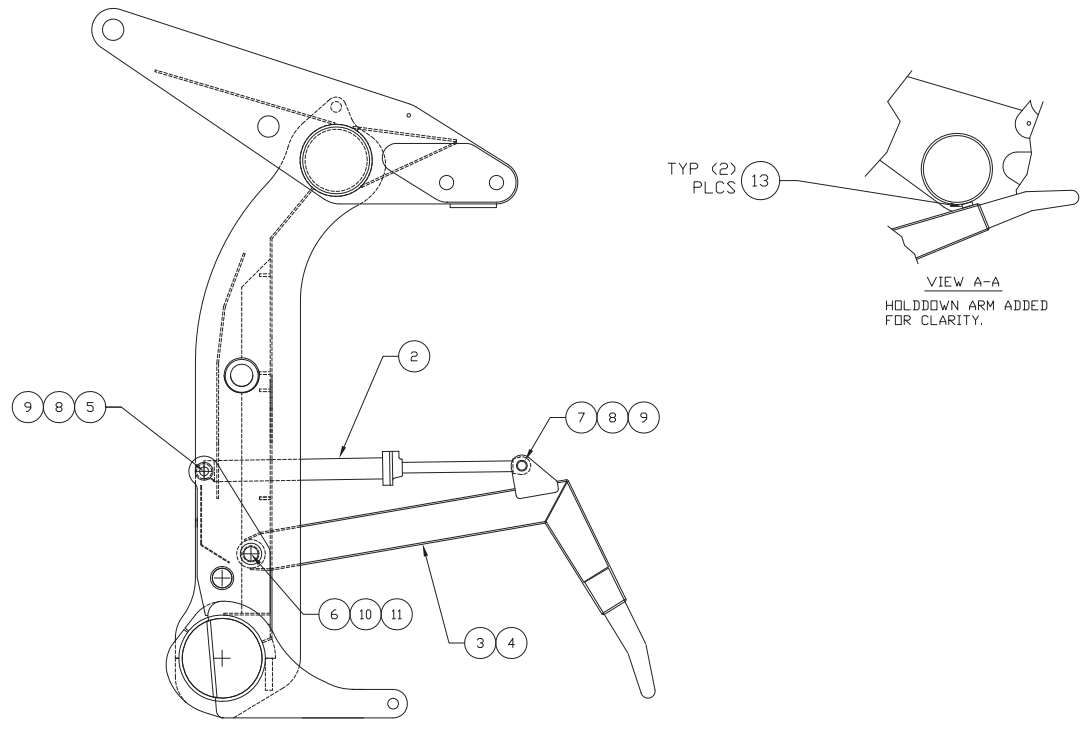


Holddown Installation, Auxiliary



Item	Part No.	Qty	Description	Item	Part No.	Qty	Description
	574575		Holddown Installation, Auxiliary	8	R13811082	4	. Capscrew
1	574573	1	. Anchor Assembly, Rh	9	223587	4	. Nut, Esna
2	* 524403	2	. Cylinder Assembly	10	219901	2	. Capscrew
3	566067	1	. Arm Assembly, Lh Aux Hd	11	09419536	2	. Locknut
4	566068	1	. Arm Assembly, Rh Aux Hd	12	574574	1	. Anchor Assembly
5	505202	2	. Pin	13	579225	2	. Plate
6	586545	2	. Pin				
7	527477	2	. Pin				

* See Separate Coverage