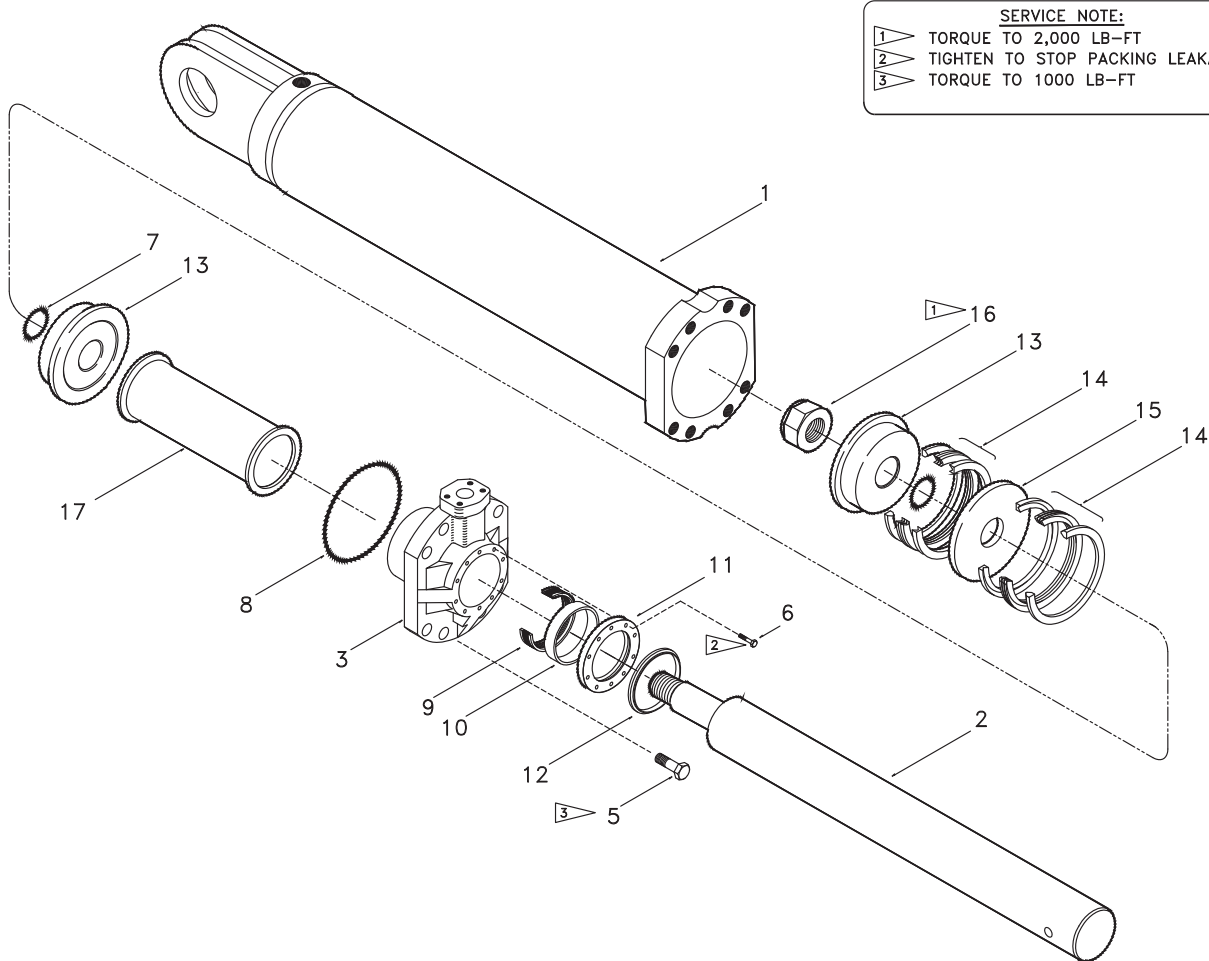


Hydraulic Cylinder



SERVICE NOTE:
 1 TORQUE TO 2,000 LB-FT
 2 TIGHTEN TO STOP PACKING LEAKAGE
 3 TORQUE TO 1000 LB-FT

Item	Part No.	Qty	Description	Item	Part No.	Qty	Description
574541 Cylinder Assembly							
1	562930	1	. Barrel & Base Assembly	11	533665	1	. Retainer
2	562932	1	. Stem	12	* 219337	1	. Wiper Ring
3	533664	1	. Packing Gland	13	505576	2	. Piston
5	230260	8	. Capscrew	14	* 566425	2	. Packing
6	230487	10	. Capscrew	15	505578	1	. Spacer,Piston
7	* 203525	2	. O-Ring	16	244433	1	. Locknut
8	* 14718W	1	. O-Ring	17	574542	1	. Spacer
9	* 566440	1	. Packing,Stem				
10	533666	1	. Bushing				

* Included in Service Packing Kit 566401