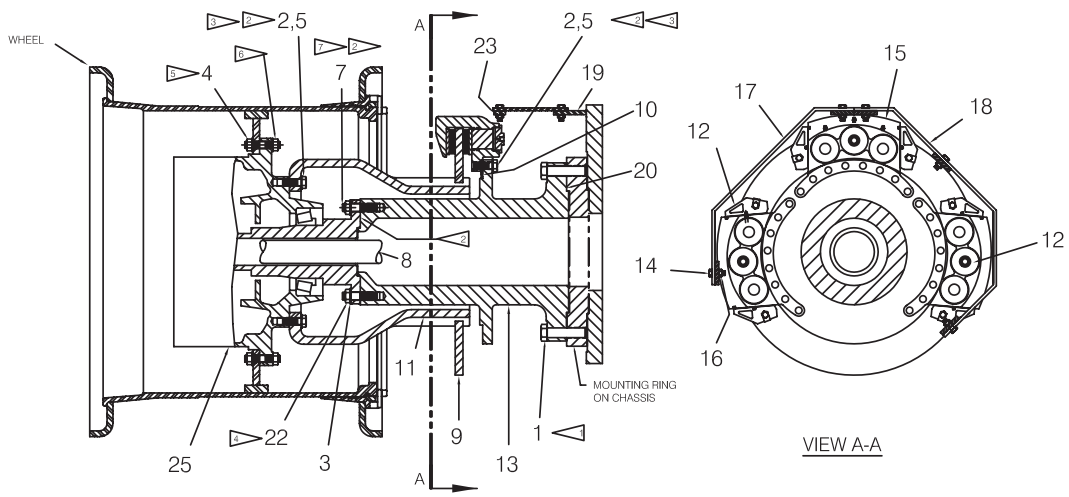
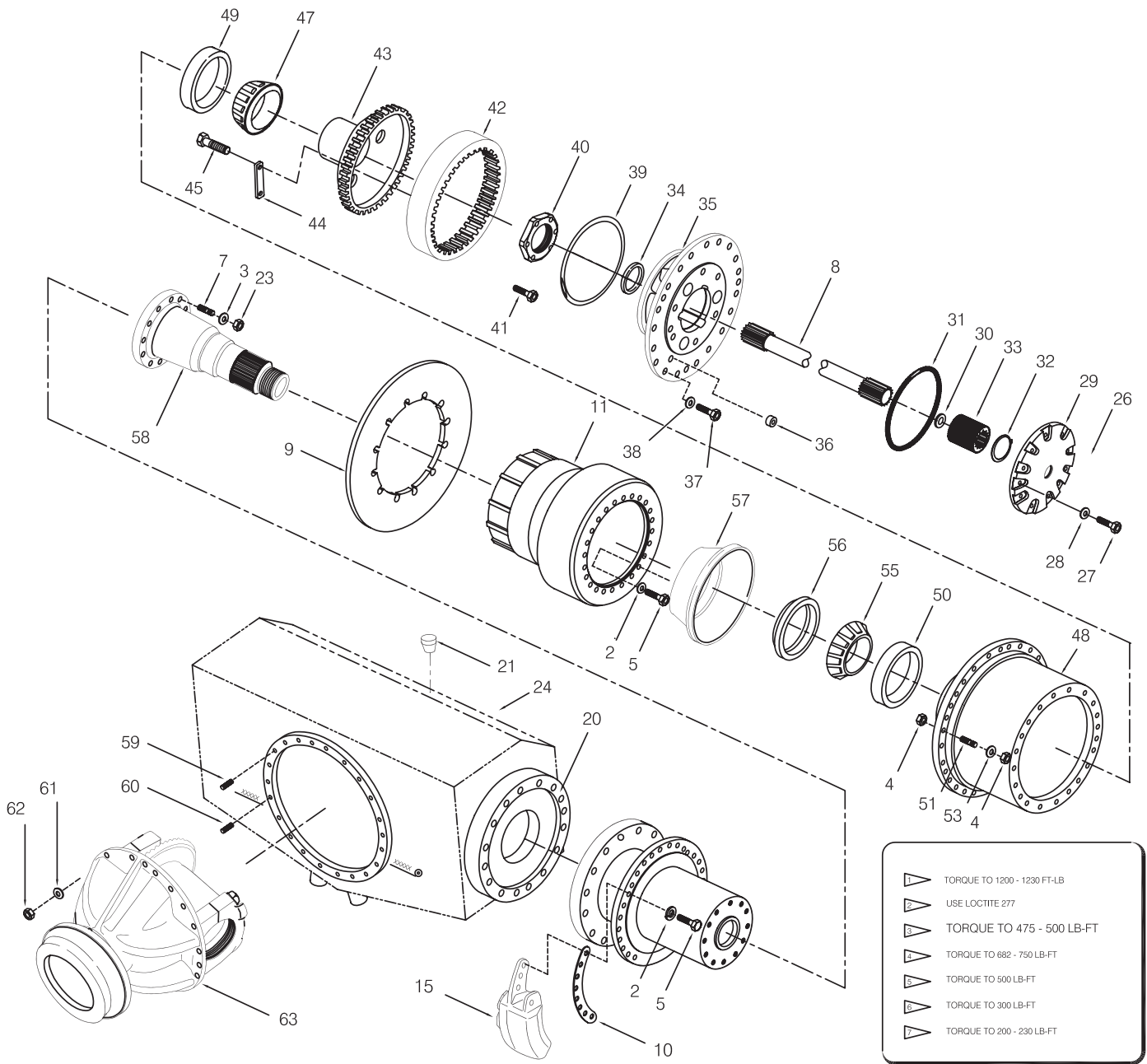


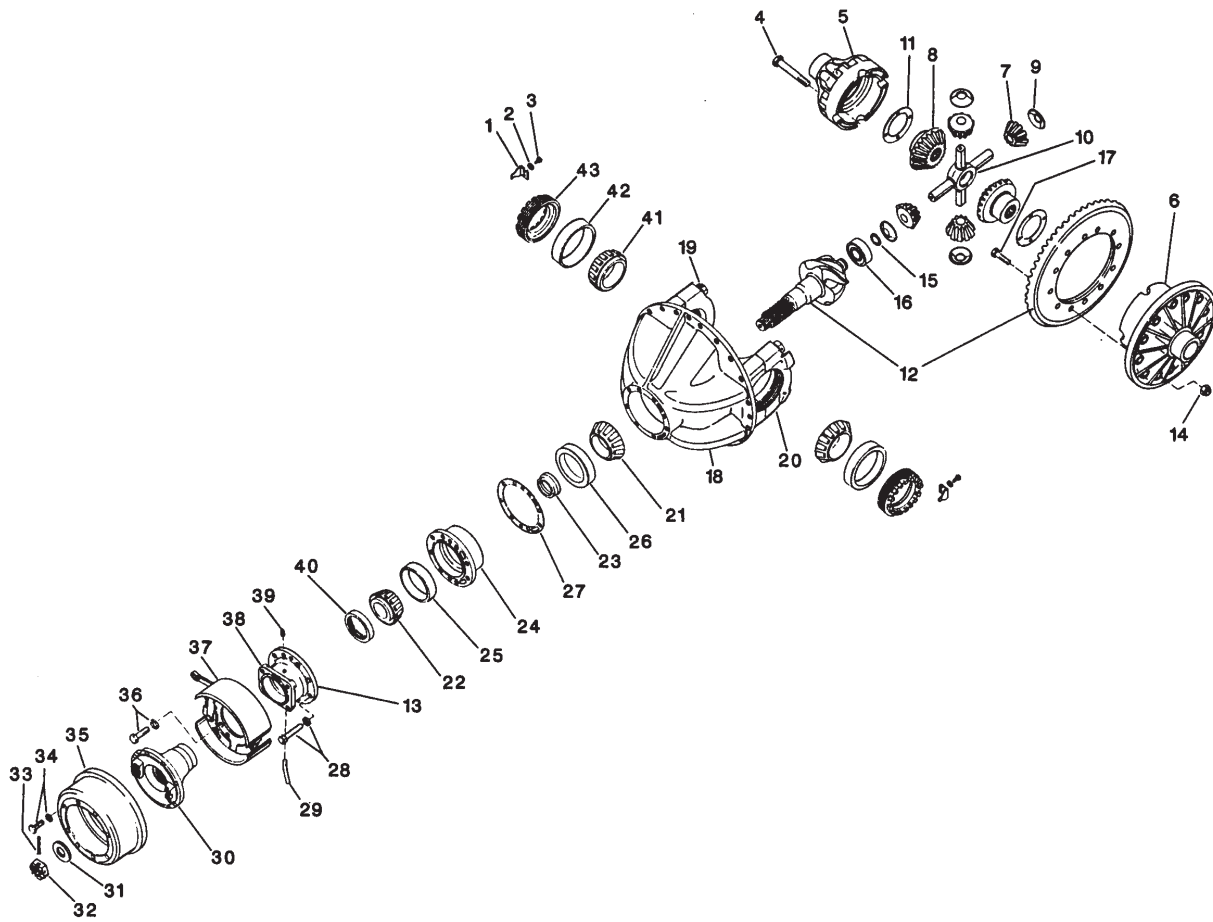
---

Axle Installation



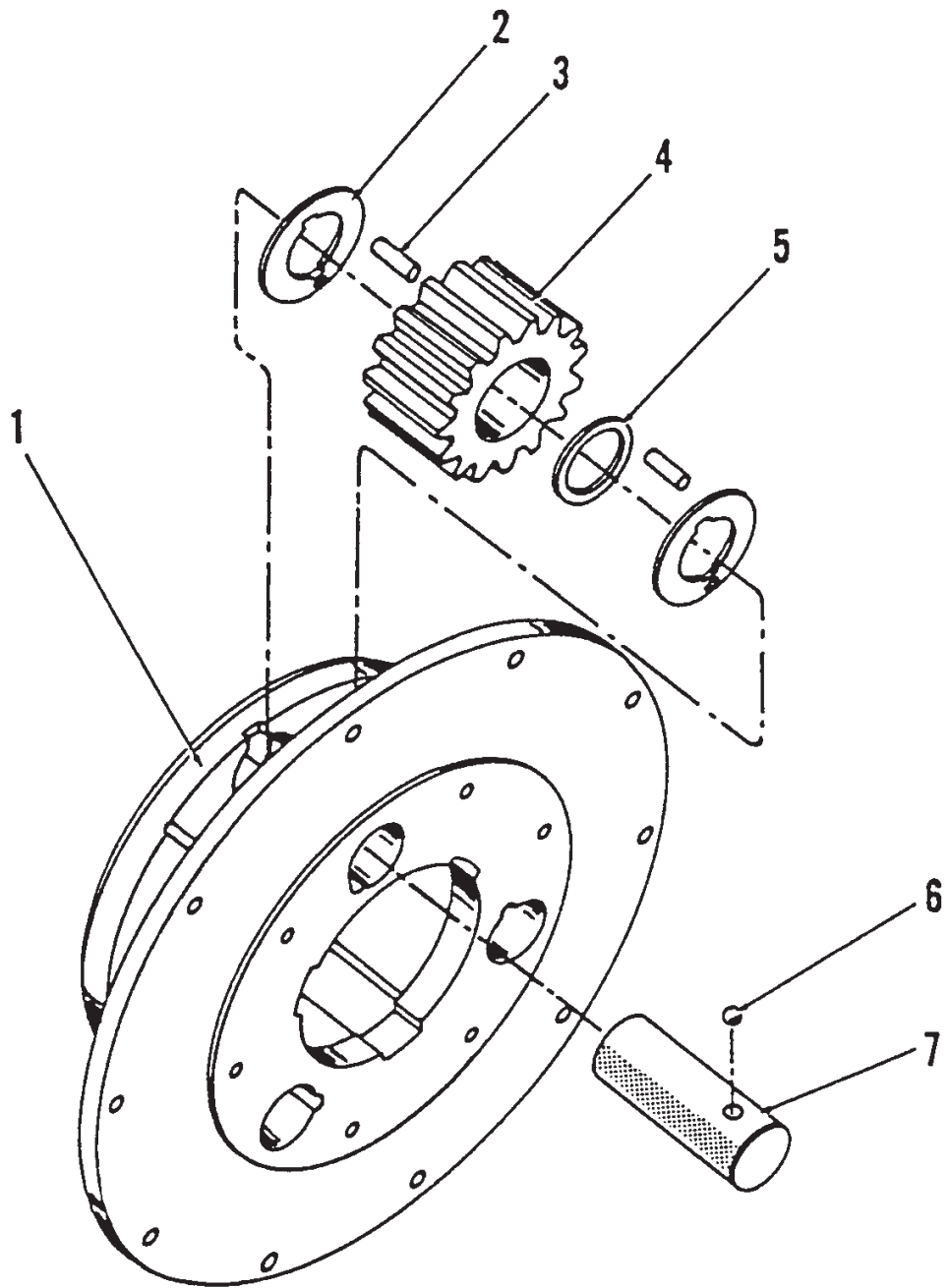
## Axle Installation

Item	Part No.	Qty	Description	Item	Part No.	Qty	Description
	<b>574114</b>		<b>Axle Installation</b>				
1	00223911	32	. Capscrew	34	201231	2	.. Thrust Washer
2	204882	96	. Washer	35	211953	2	.. Planet Carrier Asm (See Pg 5)
3	208830	24	. Washer	36	205722	2	.. Plug
4	217768	68	. Nut, Hex	37	211960	36	.. Capscrew
5	218760	96	. Capscrew	38	204882	36	.. Washer
7	219246	24	. Stud	39	200968	2	.. O-Ring
8	547338	2	. Axle Shaft	40	230705	2	.. Nut
9	544408	2	. Brake, Disc	41	232338	12	.. Lock Screw
10	545267	A/R	. Shim		214939	2	.. Internal Gear & Hub Asm
11	545335	2	. Driver, Disc Brake	42	212114	1	... Internal Gear
12	570733	4	. Caliper, Brake	43	216149	1	... Gear Hub
13	574001	2	. Axle Housing	44	212121	6	... Retainer Plate
14	201635	14	. Capscrew	45	212120	12	... Capscrew
15	569926	2	. Caliper, Brake	46	547338	2	.. Axle Shaft
16	224202	14	. Nut	47	201148	2	.. Bearing Cone, Outer
17	574040	2	. Plate, RH Guard	48	219240	2	.. Hub, Cup & Stud Asm
18	574051	2	. Plate, RH Guard	49	213647	1	... Bearing Cup, Outer
19	563511	10	. Bracket	50	216147	1	... Bearing Cup, Inner
20	236308	A/R	. Silicone, RTV	51	219233	34	... Stud
21	200268	1	. Cap, Breather	52	232342	34	... Nut
22	219969	24	. Nut	53	204882	34	... Washer
23	574065	2	. Bracket	54	217768	34	... Nut
24	NI 209916	2	. Fitting	55	216146	2	.. Bearing Cone, Inner
25	219213	1	. Axle Kit, Wheel End	56	216156	2	.. Seal
26	211954	2	.. Plug	57	216157	2	.. Oil Catcher
27	232339	18	.. Capscrew	58	216151	2	.. Spindle
28	200762	18	.. Washer	59	214145	18	.. Stud
29	211820	2	.. Planet Cover	60	214146	4	.. Stud
30	201231	1	.. Thrust Washer	61	207488	22	.. Washer
31	211821	2	.. O-Ring	62	223615	22	.. Nut
32	201093	2	.. Snap Ring	63	217980	1	.. Diff. & Carrier Asm (See pg 4)
33	200963	2	.. Sun Gear				
				A/R		As Required	
				NI		Not Illustrated	



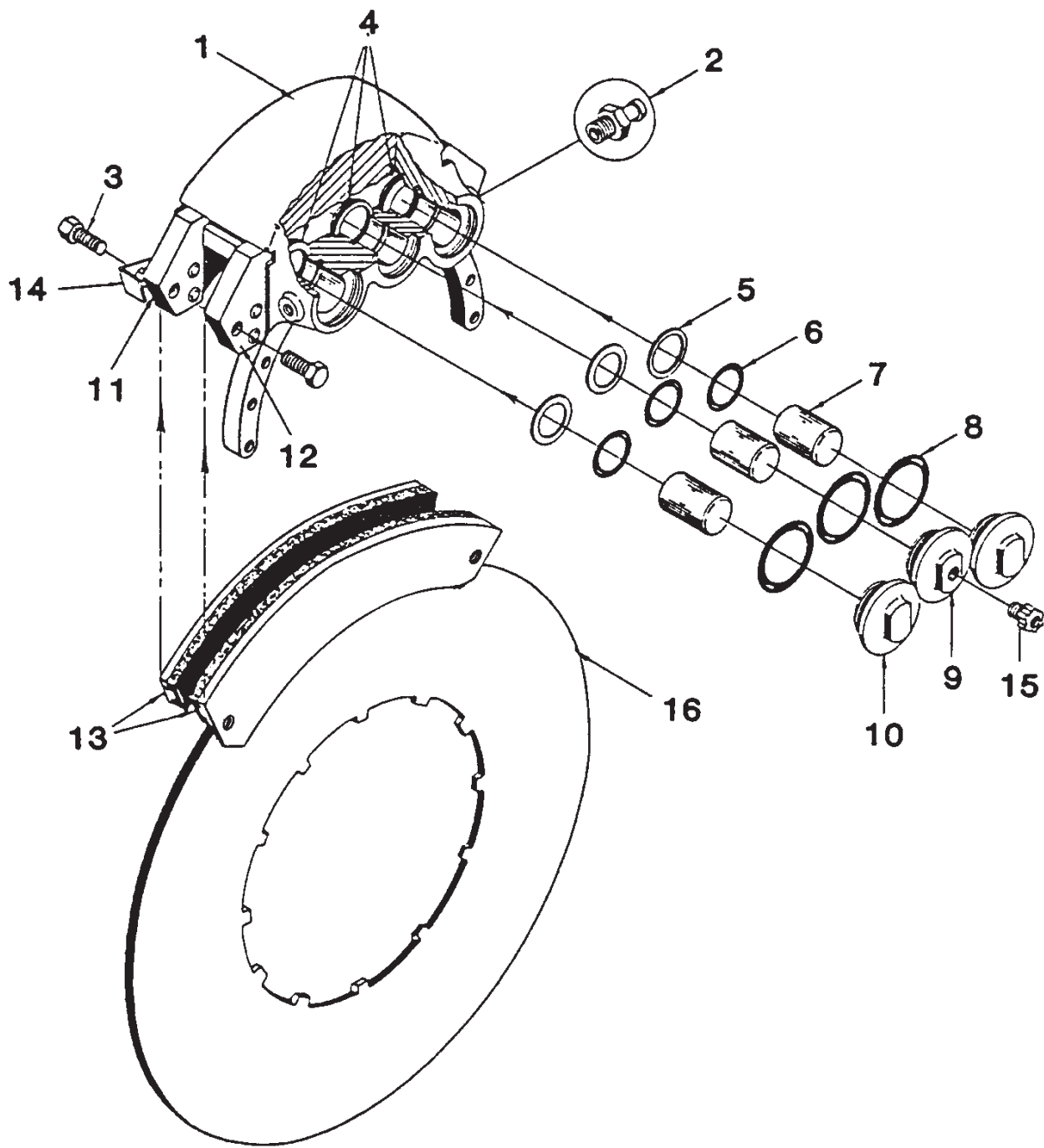
## Differential & Carrier

Item	Part No.	Qty	Description	Item	Part No.	Qty	Description
<b>217980 Differential &amp; Carrier</b>							
1	219339	2	. Lock	25	201141	1	.. Bearing Cup
2	200603	2	. Lockwasher	26	217702	1	.. Bearing Cup
3	212296	2	. Capscrew	27	218050	A/R	. Shim
	211977	1	. Differential Body Asm		218051	A/R	. Shim
4	* 232344	8	.. Bolt	28	217633	8	. Bolt
	* 207488	8	.. Washer		00608	8	. Lockwasher
5	* NSS	1	.. Case, Plain Half	29	200952	1	. Drain Tube
	* 214148	2	.. Dowel	30	200949	1	. Flange
6	* NSS	1	.. Case, Flange Half	31	200951	1	. Washer
	* 214148	4	.. Dowel	32	200950	1	. Nut
7	** 211968	1	.. Pinion Gear Kit	33	212141	1	. Cotter Pin
8	** 211970	2	.. Side Gear	34	219646	8	. Bolt
9	211967	4	.. Thrust Washer		200603	8	. Lockwasher
10	211969	1	.. Spider	35	200953	1	. Brake Drum
11	211966	2	.. Thrust Washer	36	219647	4	. Bolt
12	217706	1	. Ring & Pinion Set		200607	4	. Lockwasher
13	-----	Ref	. Use Loctite #277	37	201087	1	. Brake Asm (See Pg 7)
14	200756	12	. Nut	38	218048	1	. Seal Retainer
15	201095	1	. Snap Ring	39	200628	1	. Pipe Plug
16	201145	1	. Bearing	40	205724	1	. Oil Seal
17	214149	12	. Bolt	41	201139	2	. Bearing Cone
18	217704	1	. Carrier Asm	42	201138	2	. Bearing Cup
19	224282	4	.. Bolt	43	219345	2	. Adjusting Nut
	232349	4	.. Lockwasher				
20	NSS	2	.. Cap		NSS		Not Sold Separately
21	217703	1	. Bearing Cone		A/R		As Required
22	213645	1	. Bearing Cone		**		Pinion & Side Gear Kit Part Number 232345
23	218182	1	. Shim Kit		*		Differential Case Kit Part Number 211978
24	217697	1	. Pinion Bearing Cage Asm				



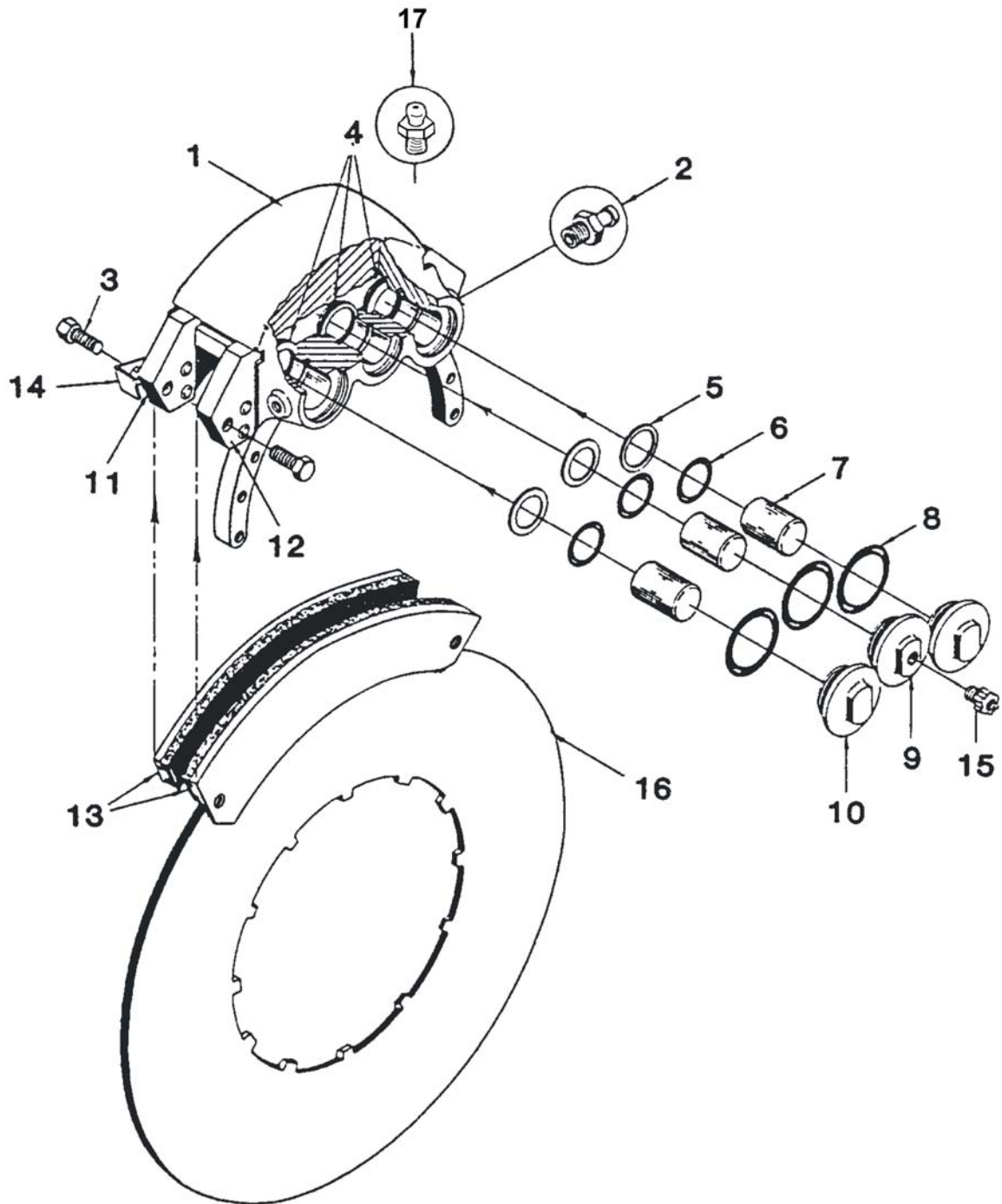
### Planet Carrier

Item	Part No.	Qty	Description	Item	Part No.	Qty	Description
	<b>211953</b>		<b>Planet Carrier</b>				
1	211979	1	. Planet Carrier	5	200960	3	. Spacer
2	200958	6	. Thrust Washer	6	200638	3	. Ball
3	200959	240	. Needle Bearing	7	200956	3	. Pinion Shaft
4	207455	3	. Planet Pinion				



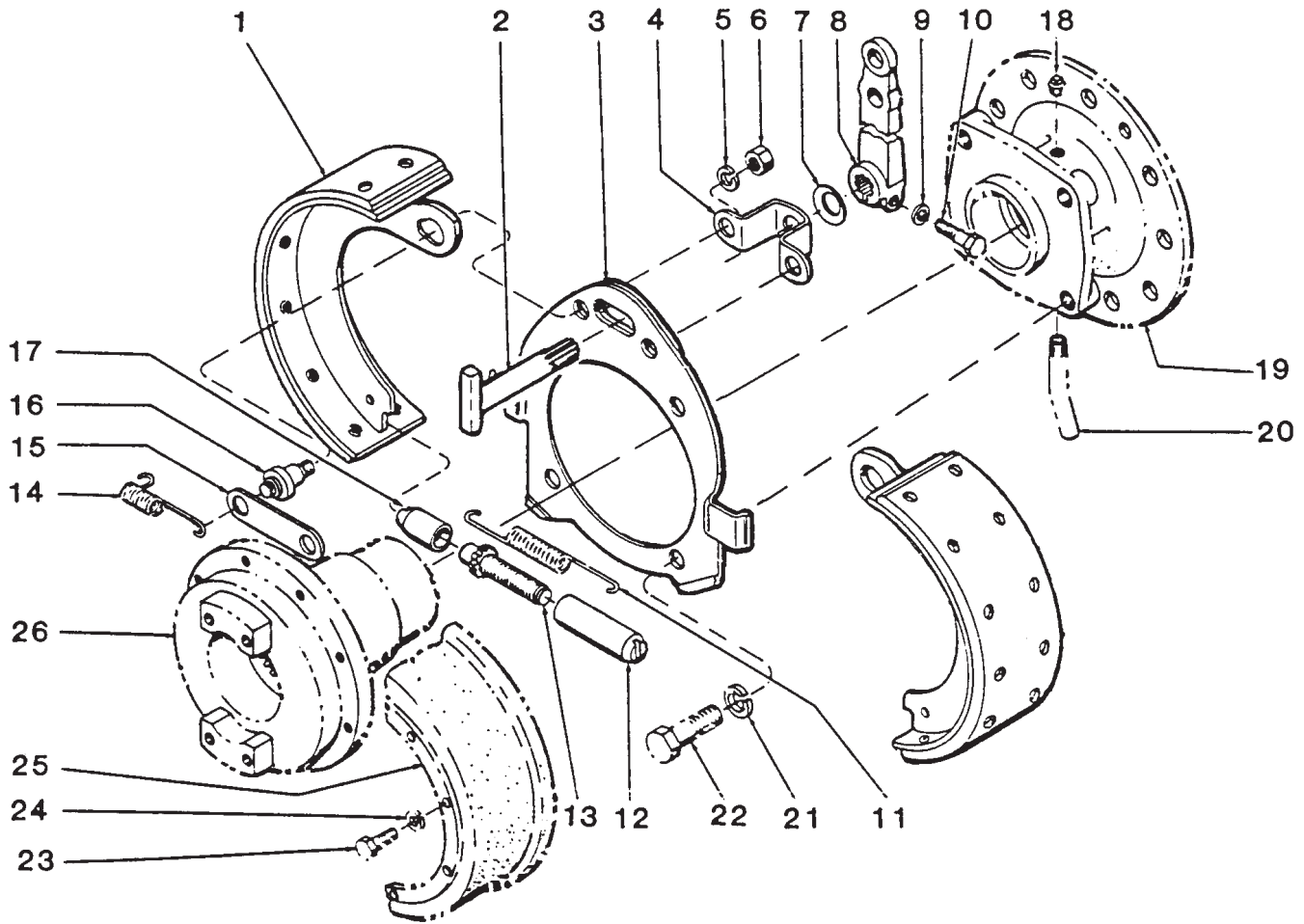
### Disc Brake Caliper

Item	Part No.	Qty	Description	Item	Part No.	Qty	Description
<b>570733 Disc Brake Caliper</b>							
1	NSS	1	. Brake Housing	11	219973	2	. End Plate, LH
2	219613	2	. Bleeder	12	219974	2	. End Plate, RH
3	221720	4	. Capscrew	13	236397	2	. Brake Lining
4	* 219976	3	. Wiper Ring	14	550004	4	. Locking Tab
5	* 220305	3	. Back-up Ring	15	219622	A/R	. Protective Plug
6	* 220306	3	. O-Ring	16	-----	Ref	. Brake Disc (See Pg 2 & 3)
7	219620	3	. Piston		NSS		Not Sold Separately
8	* 220304	3	. O-Ring, Head		A/R		As Required
9	219623	1	. Cylinder Head, Inlet		*		Service Kit Part Number 570246
10	219624	2	. Cylinder Head				



### Disc Brake Caliper

Item	Part No.	Qty	Description	Item	Part No.	Qty	Description
	<b>569926</b>		<b>Disc Brake Caliper</b>				
1	NSS	1	. Brake Housing	12	219974	2	. End Plate, RH
2	219613	2	. Bleeder	13	236397	2	. Brake Lining
3	221720	4	. Capscrew	14	550004	4	. Locking Tab
4	* 219976	3	. Wiper Ring	15	219622	A/R	. Protective Plug
5	* 220305	3	. Back-up Ring	16	-----	Ref	. Brake Disc (See Pg 2 & 3)
6	* 220306	3	. O-Ring	17	R1992651	3	. Bleeder
7	219620	3	. Piston		NSS		Not Sold Separately
8	* 220304	3	. O-Ring, Head		A/R		As Required
9	219623	1	. Cylinder Head, Inlet		*		Service Kit Part Number 570246
10	219624	2	. Cylinder Head				
11	219973	2	. End Plate, LH				



### Parking Brake

Item	Part No.	Qty	Description	Item	Part No.	Qty	Description
	<b>201087</b>		<b>Parking Brake</b>				
1	216891	2	. Shoe & Lining	15	216902	1	. Brace
2	216892	1	. Camshaft	16	216903	2	. Anchor Pin
3	216893	1	. Mounting Plate	17	216904	1	. Adjusting Socket
4	216894	1	. Support Bracket	18	*	Ref	. Plug
5	200608	2	. Lockwasher	19	*	Ref	. Retainer
6	200595	2	. Nut	20	*	Ref	. Tube
7	216895	1	. Washer	21	*	Ref	. Lockwasher
8	216896	1	. Lever	22	*	Ref	. Capscrew
9	200602	1	. Washer	23	*	Ref	. Capscrew
10	216897	1	. Cap screw	24	*	Ref	. Lockwasher
11	216898	1	. Spring	25	*	Ref	. Brake Drum
12	216899	1	. Adjusting Nut	26	*	Ref	. Flange Yoke
13	216900	1	. Adjusting Screw				
14	216901	2	. Spring				

\* See Differential & Carrier, Pg 4