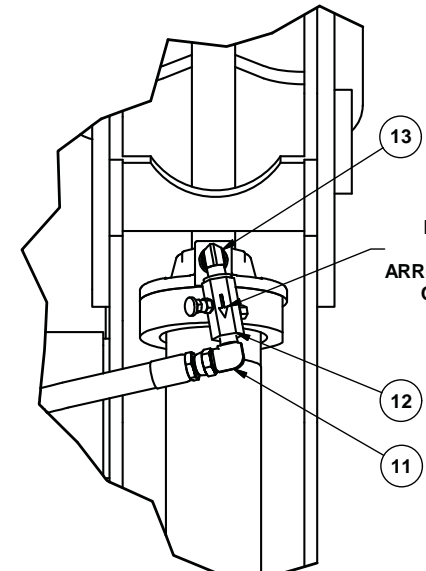
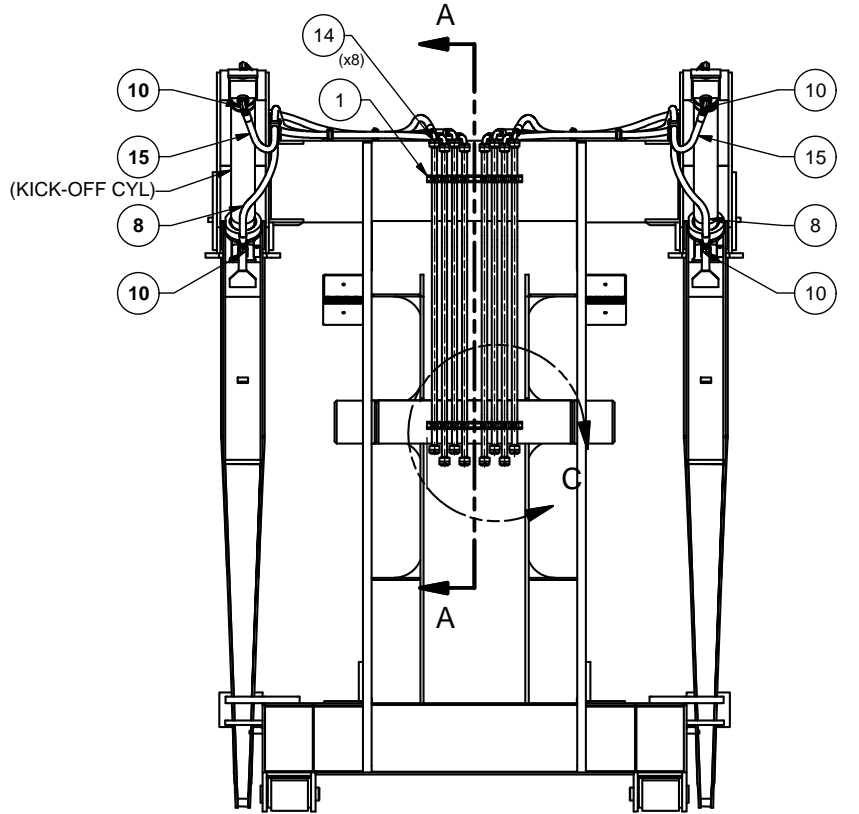
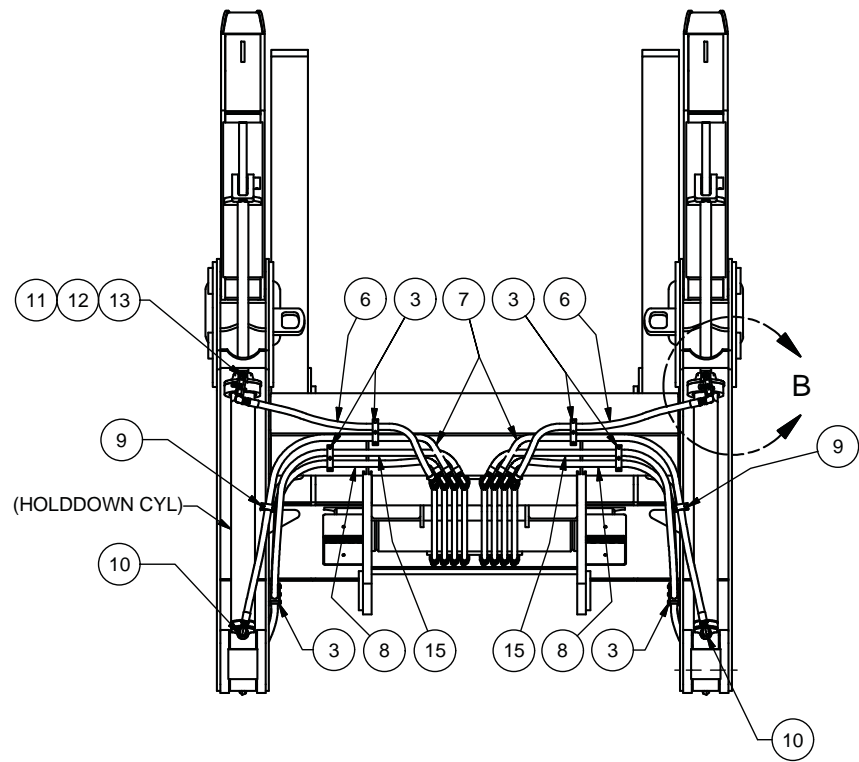

Hydraulic System-Carriage

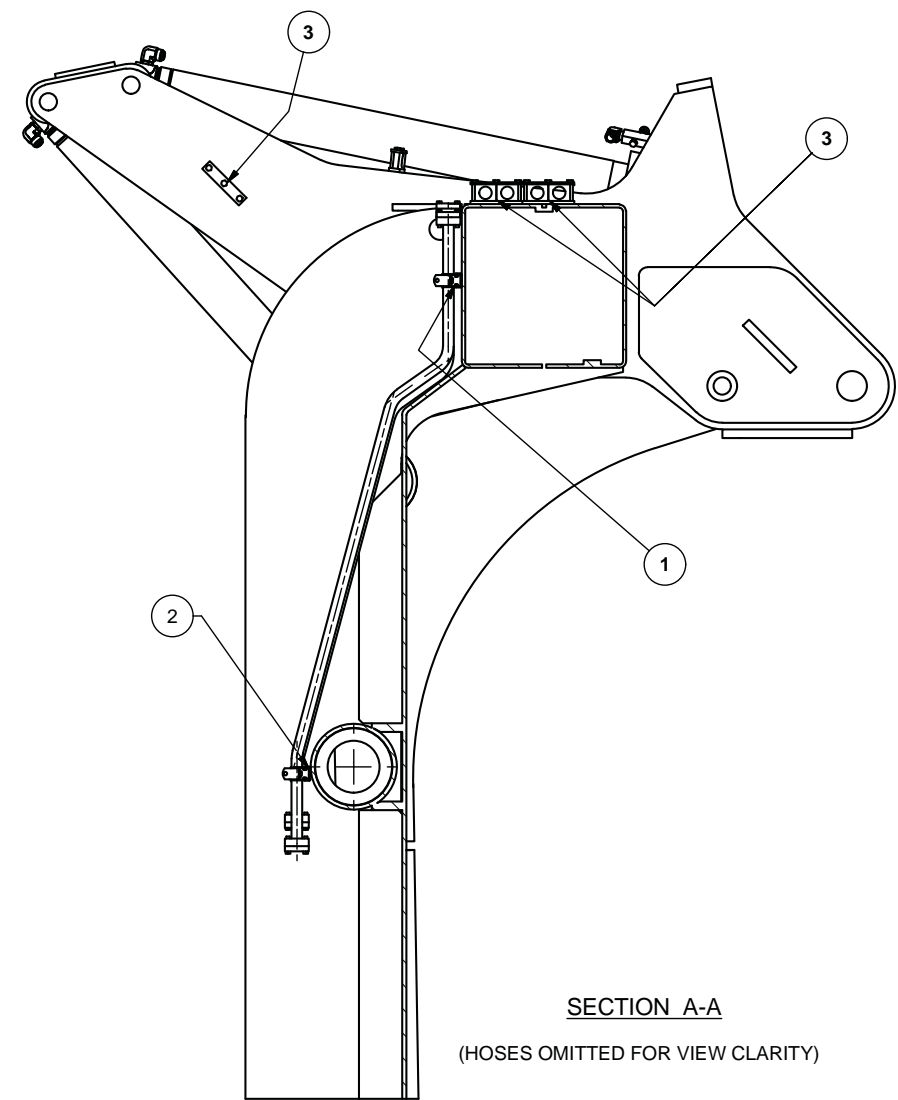
Hydraulic System-Carriage

Item	Part No.	Qty	Description	Item	Part No.	Qty	Description
	570499		Hydraulic System-Carriage				
1	572771	2	. Channel	8	237353	2	. Hose Assembly
2	231249	16	. Clamp	9	225259	2	. Clamp
3	228961	6	. Clamp	10	225129	6	. Fitting
4	584143	4	. Tube Weldment	11	209418	2	. Fitting
5	584144	4	. Tube Weldment	12	21199	2	. Flow Control Valve
6	238761	2	. Hose Assembly	13	22308	2	. Fitting
7	237352	2	. Hose Assembly	14	11759	16	. Kit, Split Flange
				15	238762	2	. Hose Assembly

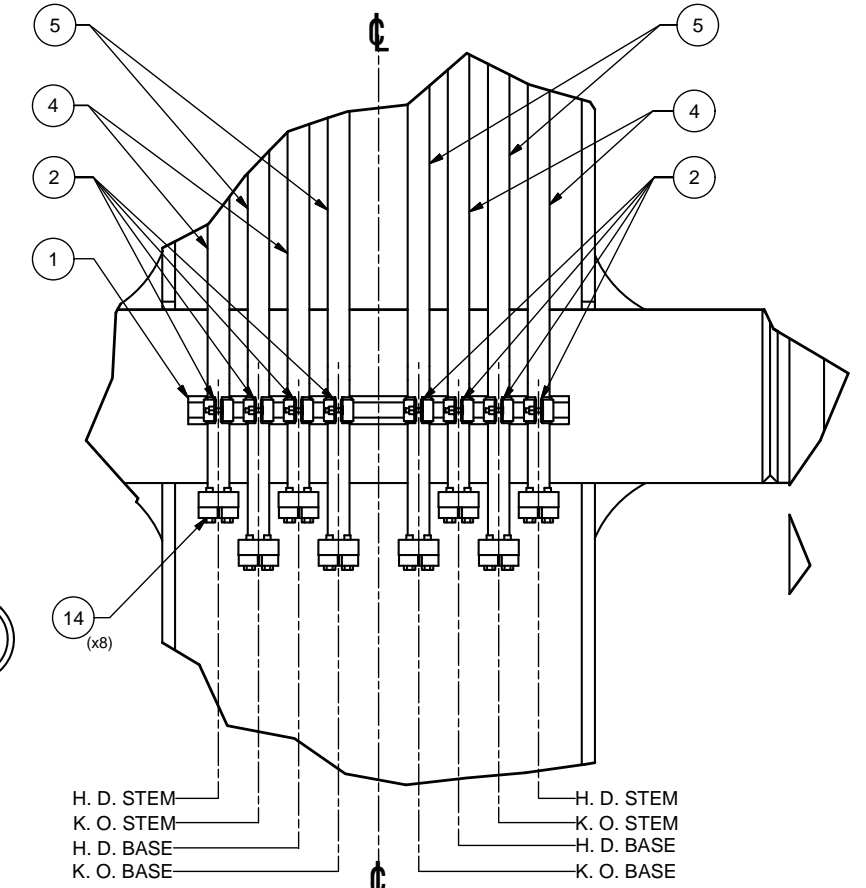


NOTE FLOW ARROW
FLOW IS CONTROLLED
EXITING CYLINDER.
ARROW INDICATES DIRECTION
OF RESTRICTED FLOW.

DETAIL B



SECTION A-A
(HOSES OMITTED FOR VIEW CLARITY)



H. D. STEM
K. O. STEM
H. D. BASE
K. O. BASE

SYM ON CENTERLINE

DETAIL C