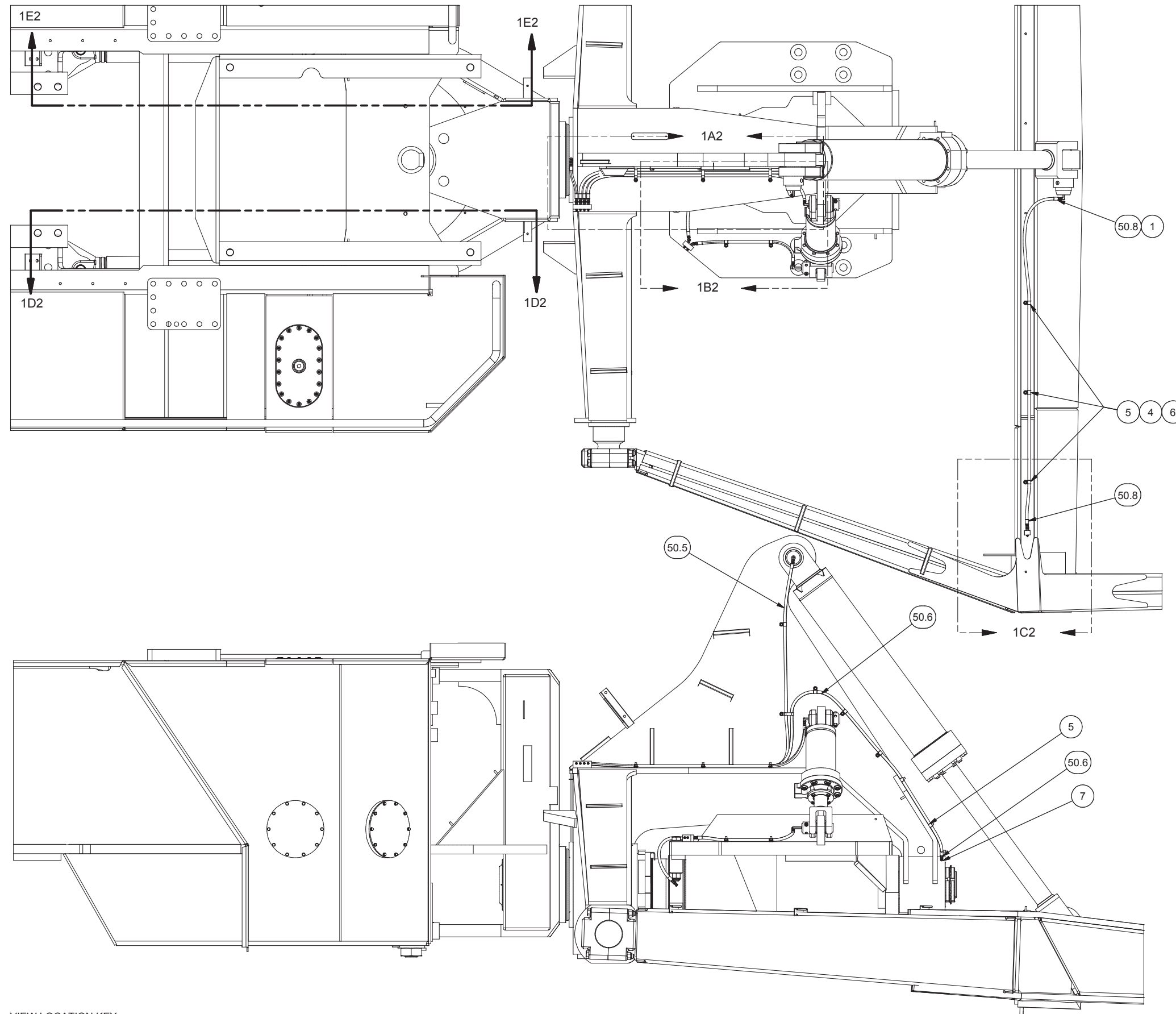


---

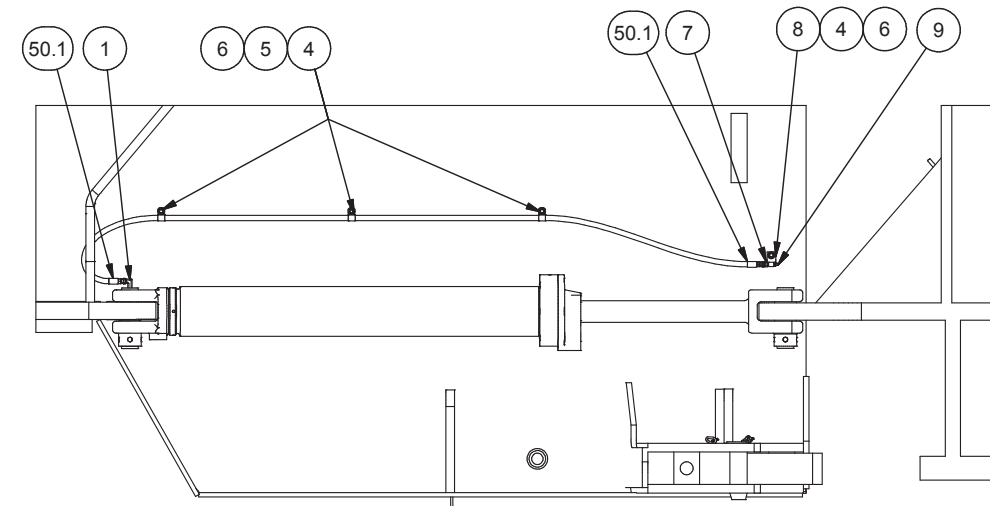
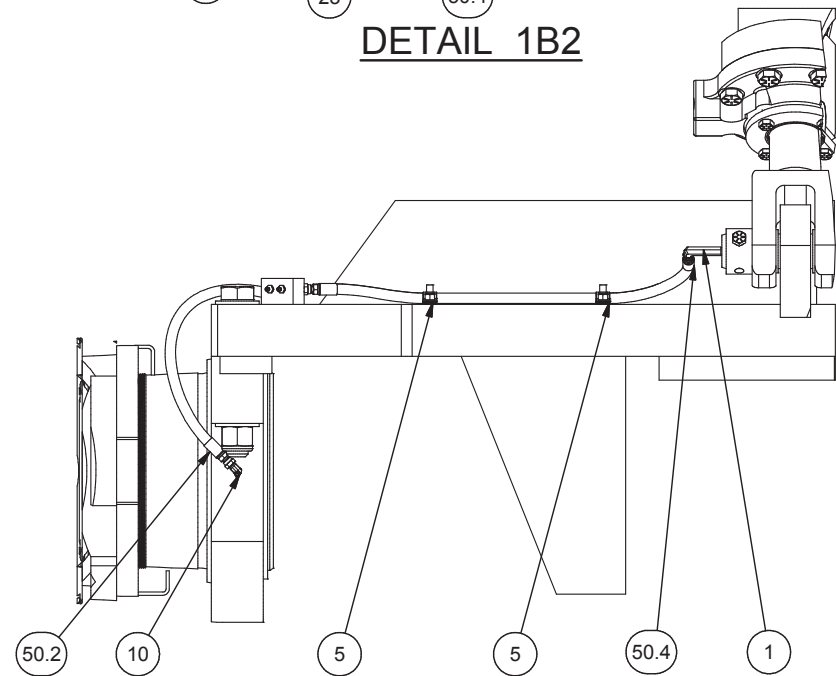
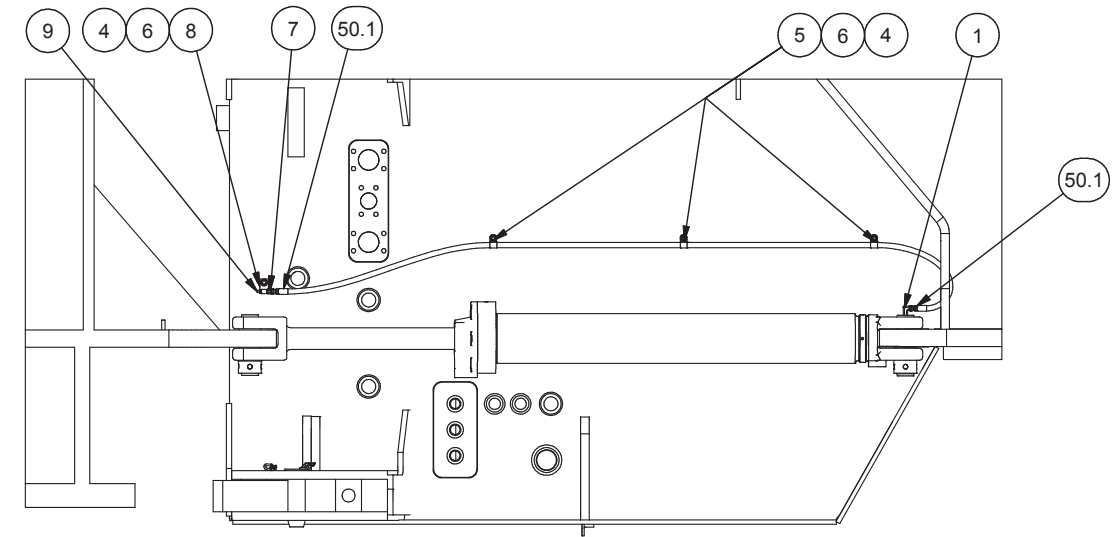
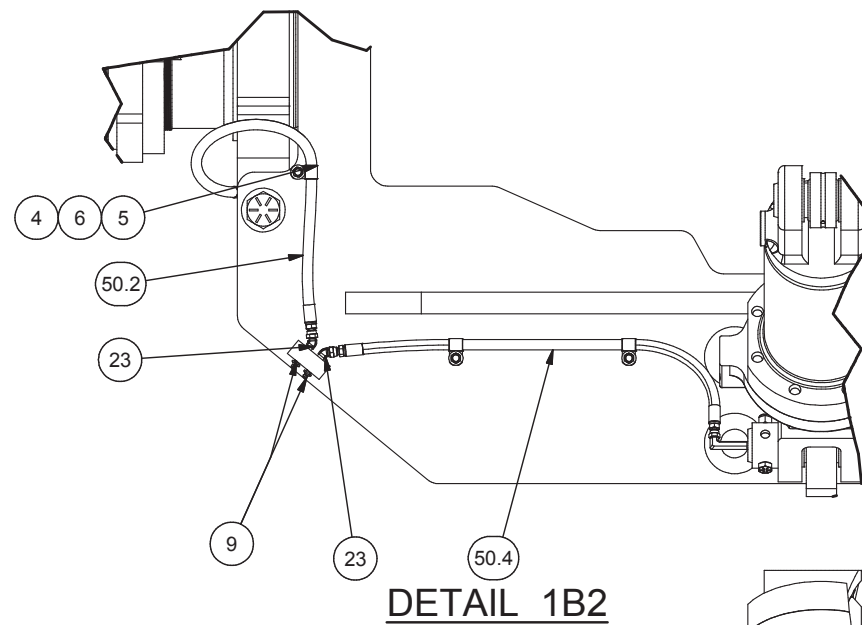
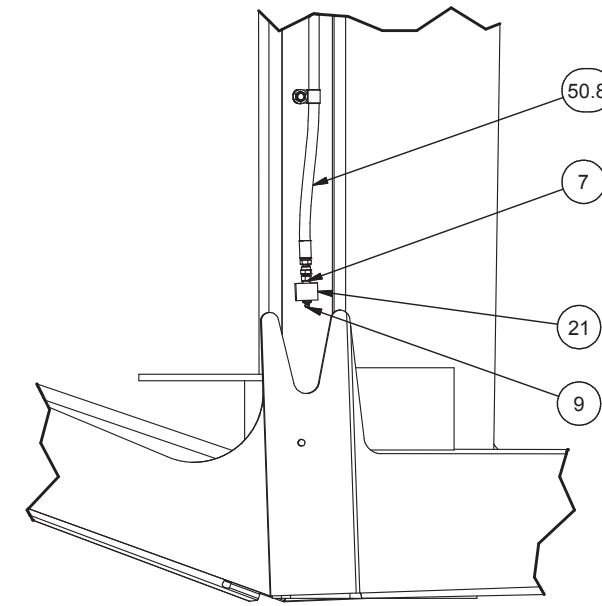
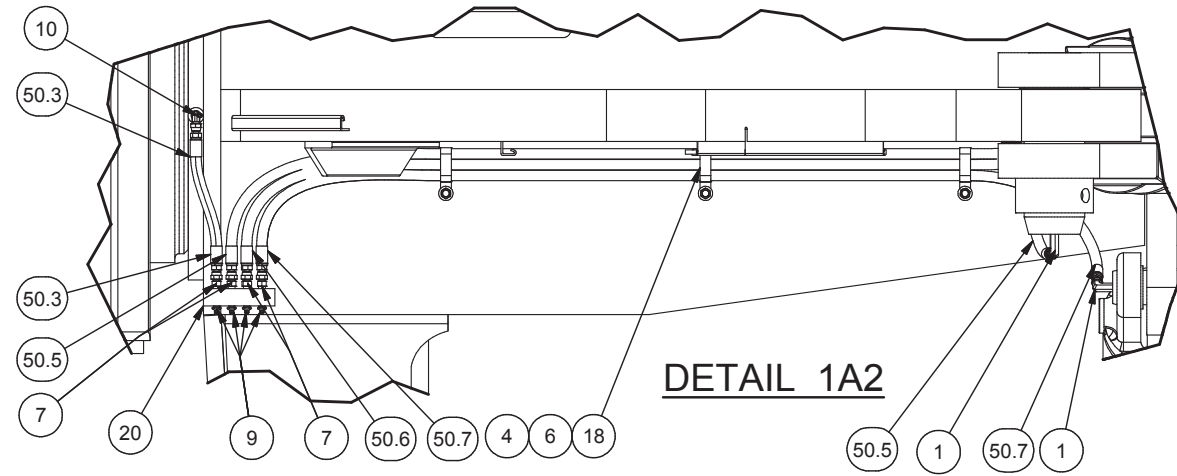
Remote Lube (Side Tilt)

## Remote Lube (Side Tilt)

Item	Part No.	Qty	Description	Item	Part No.	Qty	Description
	<b>570071</b>		<b>Kit, Remote Lube System</b>				
1	212300	6	. Fitting	23	209790	2	. Fitting
4	221767W	24	. Hard Washer	50	596836	1	. Kit, Hose
5	209578	18	. Clamp	50.1	207995	2	.. Hose Assembly
6	223654	24	. Locknut	50.2	13142	1	.. Hose Assembly
7	209750	8	. Fitting	50.3	233033	1	.. Hose Assembly
8	508790	2	. Bracket Assembly	50.4	R14786	1	.. Hose Assembly
9	00191758	9	. Fitting, Lube	50.5	22074	1	.. Hose Assembly
10	209405	2	. Fitting	50.6	243759	1	.. Hose Assembly
18	209699	4	. Clamp	50.7	208857	1	.. Hose Assembly
19	702168	1	. Manifold,Lube	50.8	207530	1	.. Hose Assembly
20	576502	1	. Manifold				
21	207530	1	. Manifold				



VIEW LOCATION KEY:  
 FIRST NUMBER IS THE SHEET THAT THE DETAIL/SECTION IS LOCATED ON  
 LETTER IS THE ALPHABETIC DESIGNATION OF THE DETAIL/SECTION  
 LAST NUMBER IS THE SHEET THAT THE DETAIL/SECTION IS TAKEN FROM  
 EX: 2C1 = DETAIL/SECTION IS LOCATED ON SHEET "2", DESIGNATED AS "C", TAKEN FROM A VIEW ON SHEET "1"



**SECTION 1E2-1E2**