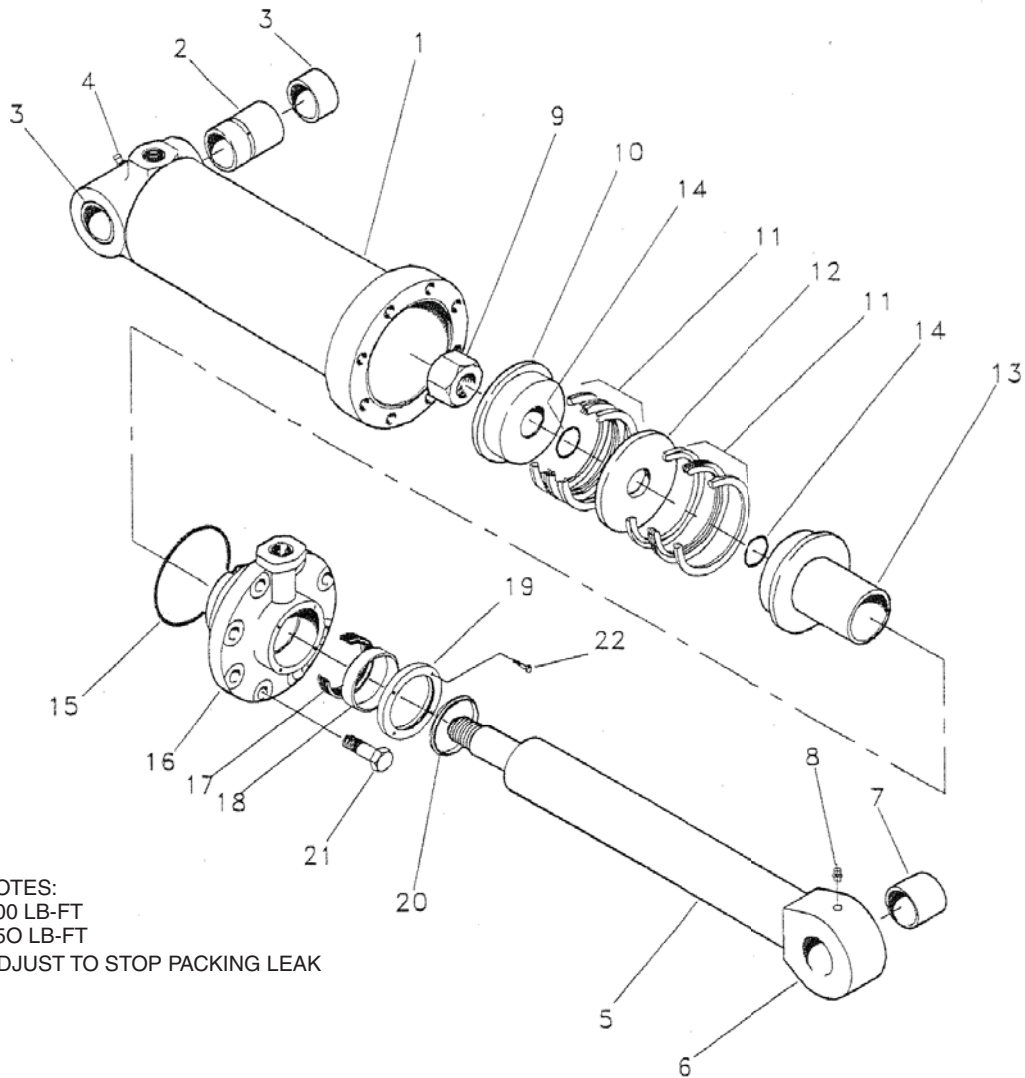


Hydraulic Cylinder (6 x 56)



TORQUE NOTES:  
 ITEM 9 - 2000 LB-FT  
 ITEM 21 - 250 LB-FT  
 ITEM 22 - ADJUST TO STOP PACKING LEAK

Item	Part No.	Qty	Description	Item	Part No.	Qty	Description
	<b>550431</b>		<b>Hydraulic Cylinder (6 x 56)</b>				
1	534153	1	. Barrel & Base Assembly	13	572969	1	. Piston
2	505440	1	. . Spacer	14	* 203515	2	. O-Ring
3	505206	2	. . Bushing	15	* 203549	1	. O-Ring
4	00191758	1	. . Lube Fitting	16	535892	1	. Packing Gland
5	542097	1	. Stem & Eye Assembly	17	* 566437	1	. Packing
6	505694	1	. . Eye	18	505657	1	. Bushing
7	505603	1	. . Bushing	19	505656	1	. Retainer
8	00191758	1	. . Fitting, Lube	20	* 206431	1	. Wiper
9	219929	1	. Locknut	21	221660w	8	. Capscrew
10	505612	1	. Piston	22	220875	4	. Capscrew
11	* 566429	2	. Packing				
12	505614	1	. Spacer		* 566413		Service Kit