

Wagner

A Division of Allied Systems Company

CP160 COIL HANDLER 80 TON CAPACITY



Engine

Make and Model Caterpillar 3406E
Max Horsepower 360 @ 2100 RPM
Max Torque 1080 Ft-Lbs @ 1400 rpm
Bore and Stroke 5.4" x 6.5"
No. of Cylinders 6
Displacement 893 Cu-In (14.6 liters)

Air Cleaner

Two Stage Dry Type

Electrical System

Type 24 Volt Negative Ground/24 Volt Start
Alternator 100 AMP
Batteries (2) 12 Volt-8D @ 205 AMP Hr. each

Torque Converter

Clark 8000 Series, Stall Ratio 2.54:1

Transmission

Clark 6000 Series Power Shift; 4 Speeds Fwd/Rev

Speeds:	Unloaded	Loaded
1.....	3.3 mph (5.3 km/h)	3.3 mph (5.3 km/h)
2.....	5.9 mph (9.5 km/h)	5.9 mph (9.5 km/h)
3.....	10.5 mph (16.8 km/h)	10.0 mph (16.0 km/h)
4.....	18.9 mph (30.4 km/h)	13.6 mph (21.8 km/h)

Axles

Model (Bogie) Clark 25D Wheel Ends
Model (Chassis) Clark 21D4354 with Posi-Torque
Type Planetary
Brakes (Chassis) Wet Disc
Brakes (Bogie) Dry Disc (Triple Caliper)

Tires

Front (Bogie) 30.00 x 51 Bias
Rear (Chassis) 29.5 x 29 Radial

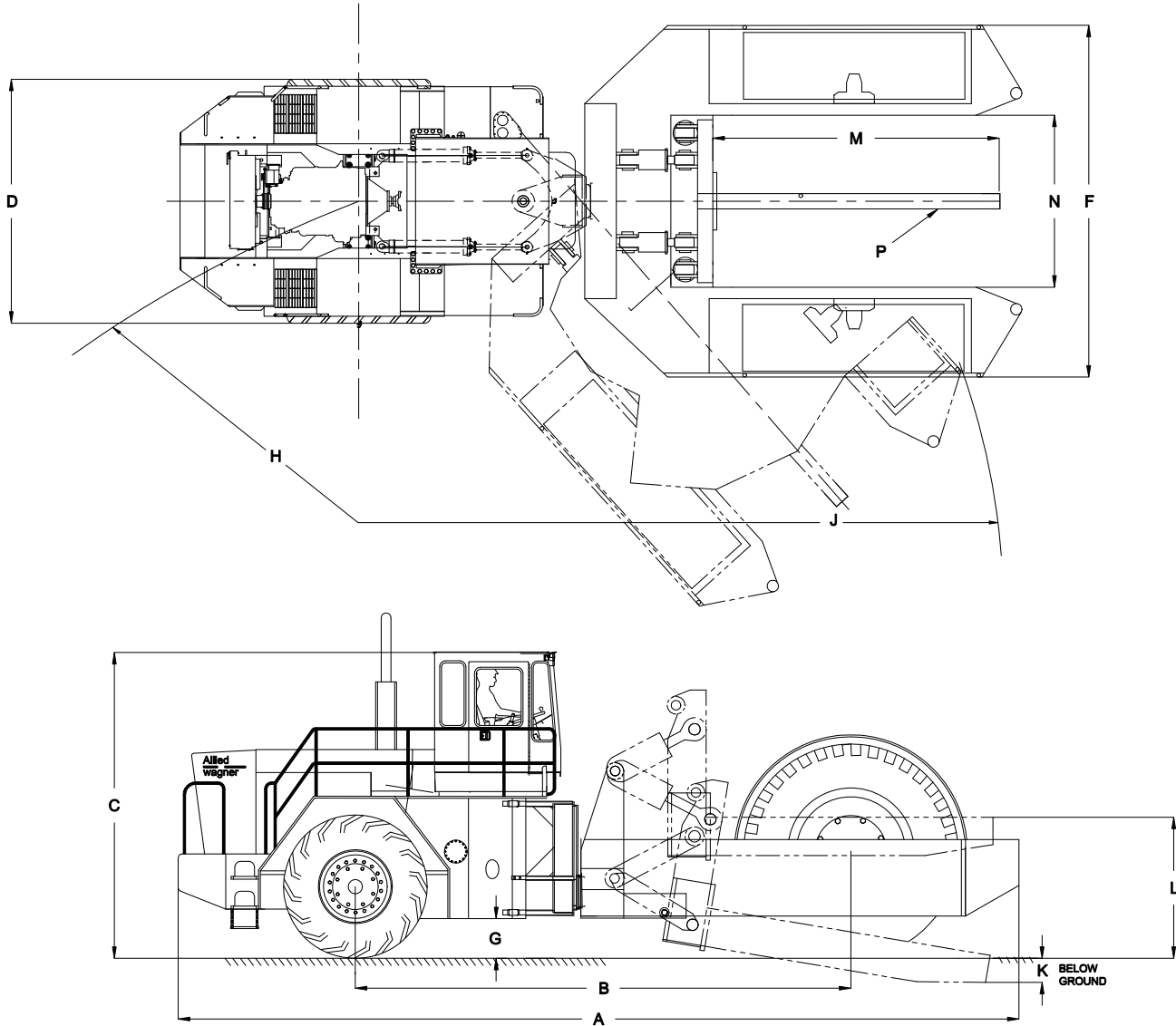
Hydraulic System

Steering Pump 70 gpm
Implement Pump 50 gpm
Tilt Cylinder (2) 11" X 15.25" (279mm x 387mm)
Hoist Cylinder (2) 8" x 44" (203mm x 1118mm)
Steering Cylinder (2) 6" x 32" (152mm x 813mm)

Service Refill Capacities

Fuel Tank 295 Gals (1116 liters)
Hydraulic Oil 160 Gals (605 liters)
Crankcase w/Filter 11 Gals (41 liters)
Cooling System 14.5 Gals (55 liters)

CP160



Dimensions (approximate)

A. Overall Length	36' 7" (11,151mm)
B. Wheelbase	21' 7" (6579mm)
C. Cab Height	13' 4" (4064mm)
D. Outside Chassis Width (Tires).....	10' 10" (3302mm)
F. Outside Bogie Width	15' 4" (4674mm)
G. Ground Clearance (Chassis).....	21" (533mm)
H. Turning Radius - Centerline Machine.....	22' 8" (6909mm)
J. Outside Turning Radius.....	31' 9" (9677mm)
K. Probe Lowered Position (Below Ground)	9" (228mm)
L. Probe Height (Raised).....	64" (1626mm)
M. Probe Length.....	150" (3810mm)
N. Inside Opening	90" (2286mm)
P. Probe Diameter	20" (508mm)

Weights and Functions (approximate)

Unit Weight.....	107,500 lbs	(48,762 kg)
Bogie End.....	58,500 lbs	(26,536 kg)
Chassis End.....	49,000 lbs	(22,226 kg)
Articulation.....	48° each way	
Oscillation.....	7° each way	
Rated Lift Capacity @ 75" LC.....	80 tons	

wagner

A Division of Allied Systems Company

21433 S.W. Oregon Street
 Sherwood, Oregon 97140 USA
 Telephone: 503.625.2560 • Fax: 503.625.7980
 E-mail: wagner@alliedsystems.com

www.alliedsystems.com