



### Engine

Make and Model ..... Cummins  
 Max Horsepower ..... 400 @ 2100 RPM  
 Max Torque ..... 1400 Ft/Lbs @ 1400 RPM  
 Bore and Stroke ..... 4.9" x 5.8" (125 x 147 mm)  
 No. of Cylinders ..... 6  
 Displacement ..... 11 liters  
 Optional Engine ..... Caterpillar 440 HP @ 13 liters

### Air Cleaner

Extreme duty with Precleaner

### Electrical System

Type ..... 24 Volt Negative Ground/24 Volt Start  
 Alternator ..... 100 AMP  
 Circuit Breakers (lights) ..... 30 AMP  
 Circuit Breakers (accessory) ..... 17 AMP  
 Batteries (2) ..... 12 Volt-8D @ 205 AMP Hr. each

### Torque Converter

Flexplate drive separate from transmission

### Transmission

Modulated Shift, 4 Speeds Fwd/Rev

Range	Speed (Unladen)
1.....	3.0 mph (4.8 km/h)
2.....	5.8 mph (9.3 km/h)
3.....	10.0 mph (16.0 km/h)
4.....	17.0 mph (27.0 km/h)

### Axles

Model (Chassis) ..... No Spin with Brake  
 Model (Bogie) ..... Posi-Torque (No Brake)  
 Brakes ..... Liquid Cooled/Wet Disc  
 Total Reduction ..... 29.330:1

### Tires

Size ..... 29.5 x 25 Radial  
 Hydroflation: Weight Each Tire ..... 4500 lbs (2041 kg)  
 All Tires Are Hydroflated

### Hydraulic System

Hydraulic Pumps ..... Fixed Displacement  
 Steering Cylinder (2) ..... 5" x 24.1" (127 x 612 mm)  
 Dump Cylinder (2) ..... 5" x 36.5" (127 x 927 mm)  
 Hoist Cylinder (1) ..... 8" x 35.7" (203 x 907 mm)  
 Side-Tilt Cylinder (Optional) ..... 6" x 19" (152 x 483 mm)  
 High Pressure and Return Filters

### Service Refill Capacities

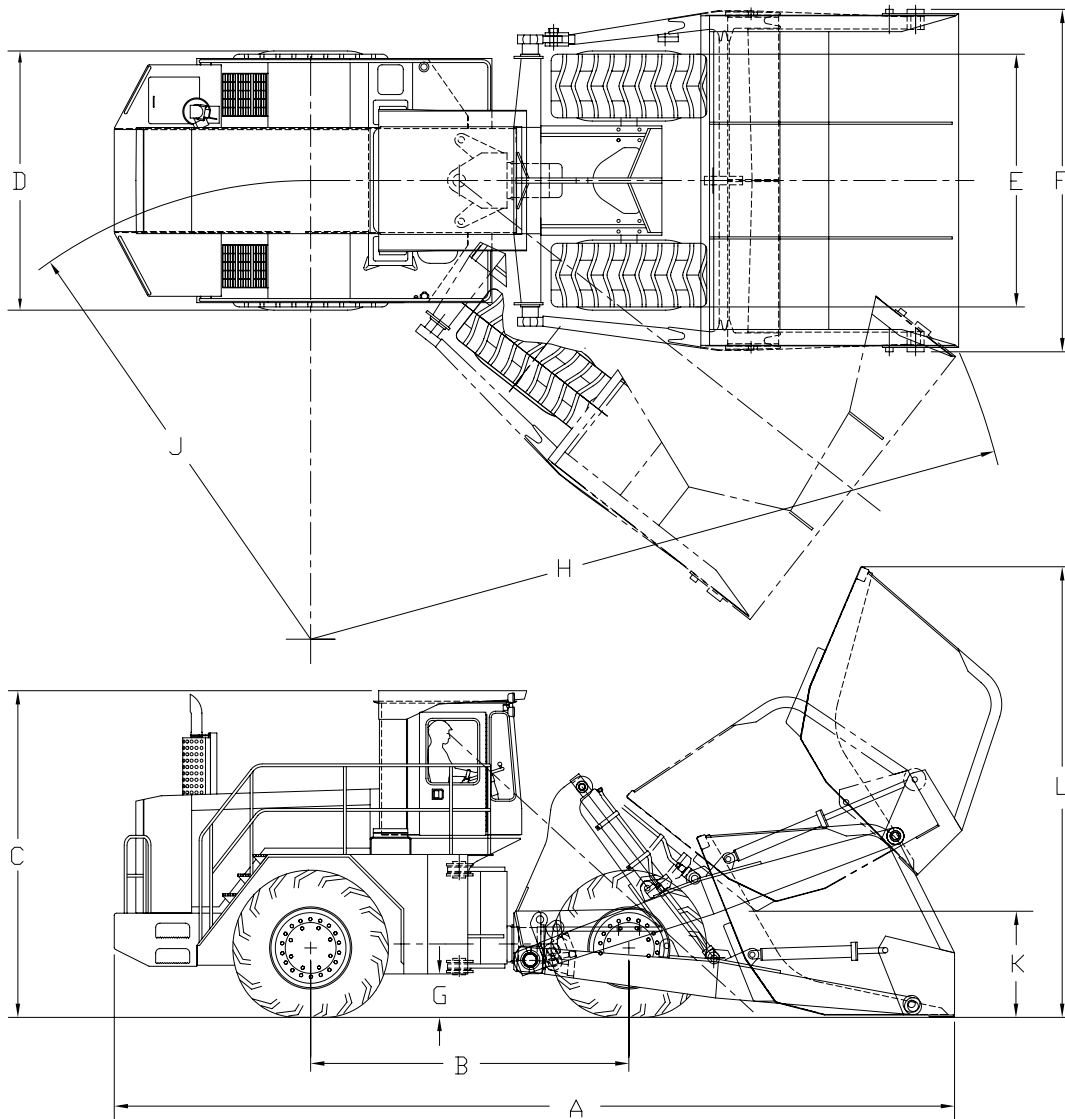
Fuel Tank ..... 180 Gals (681 liters)  
 Hydraulic Oil ..... 180 Gals (681 liters)  
 Crankcase (Refill) ..... 11 Gals (42 liters)  
 Cooling System ..... 14.5 Gals (55 liters)

**Purpose-Built Carrydozers**



MADE IN USA

# CHD60



## Dimensions (approximate)

A. Overall Length .....	33' 2" (10109 mm)	G. Ground Clearance (Chassis).....	1' 6" (457 mm)
B. Wheelbase .....	12' 5" (3785 mm)	Ground Clearance (Differential) .....	1' 8" (508 mm)
C. Height to Top of Cab .....	12' 10" (3912 mm)	H. Turning Radius - Outside Bucket.....	27' 10" (8484 mm)
D. Outside Chassis Width (Tires).....	10' 4" (3150 mm)	J. Turning Radius - Centerline Mach.....	19' 0" (5791 mm)
E. Outside Bogie Width (Tires) .....	10' 4" (3150 mm)	K. Maximum Dump Height.....	4' 2" (1270 mm)
F. Bucket Width .....	13' 4" (4064 mm)	L. Maximum Height in Dump Position .....	17' 8" (5385 mm)

## Weights and Functions (approximate)

Unit Weight/Hydroflation.....	83,400 lbs	(37,800 kg)
Bogie End/Hydroflation.....	49,200 lbs	(22,300 kg)
Chassis End/Hydroflation.....	34,200 lbs	(15,500 kg)
Bucket Push & Carry Capacity .....	60 cu/yd	(45.9 cu/m)
Bucket Lift & Carry Capacity .....	30 cu/yd	(22.9 cu/m)
Dump Angle at Maximum Height.....	60°	

Articulation.....	38° each way
Oscillation.....	15° each way
Maximum Bucket Forward Tip.....	78°
Side Tilt (Optional).....	6° each way from horizontal

**OPTIONAL EQUIPMENT:** Standard and special options are available. Contact your Wagner dealer for details.

# Wagner

A Division of Allied Systems Company

21433 S.W. Oregon Street  
 Sherwood, Oregon 97140 USA  
 Telephone: 503.625.2560 • Fax: 503.625.7980  
 E-mail: [wagner@alliedsystems.com](mailto:wagner@alliedsystems.com)

[www.alliedsystems.com](http://www.alliedsystems.com)

Where general information, pictures and descriptions are provided, some illustrations and specifications may require options not shown in the picture or included in the description. Specifications are subject to change without notice or obligation. Please consult your dealer for details.