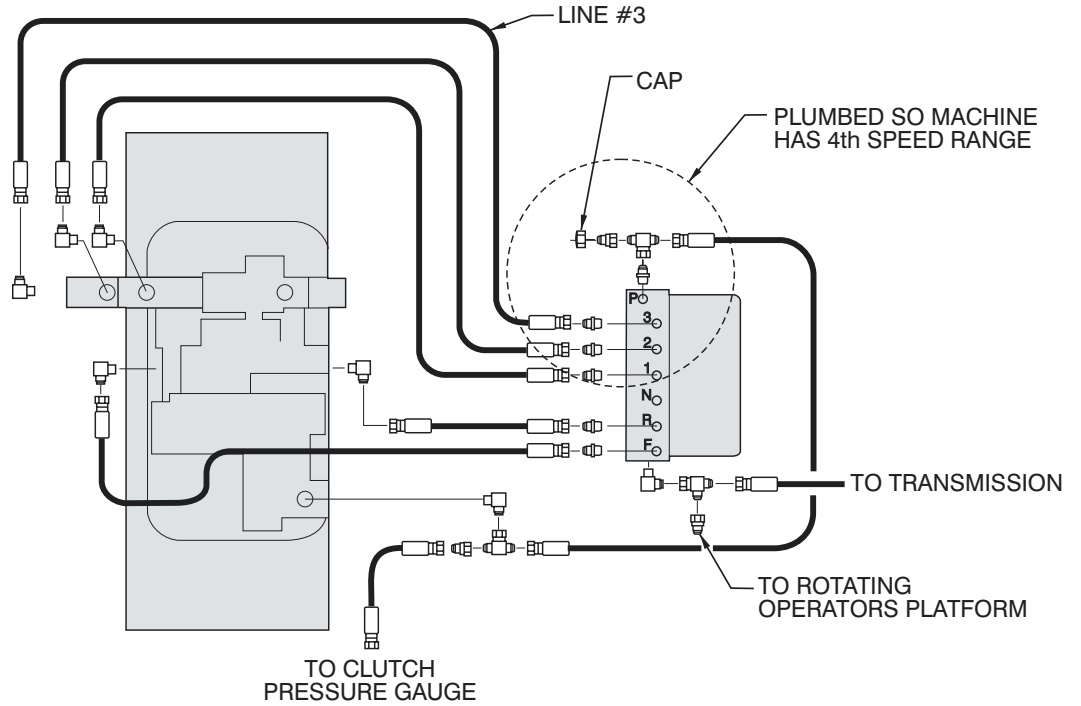
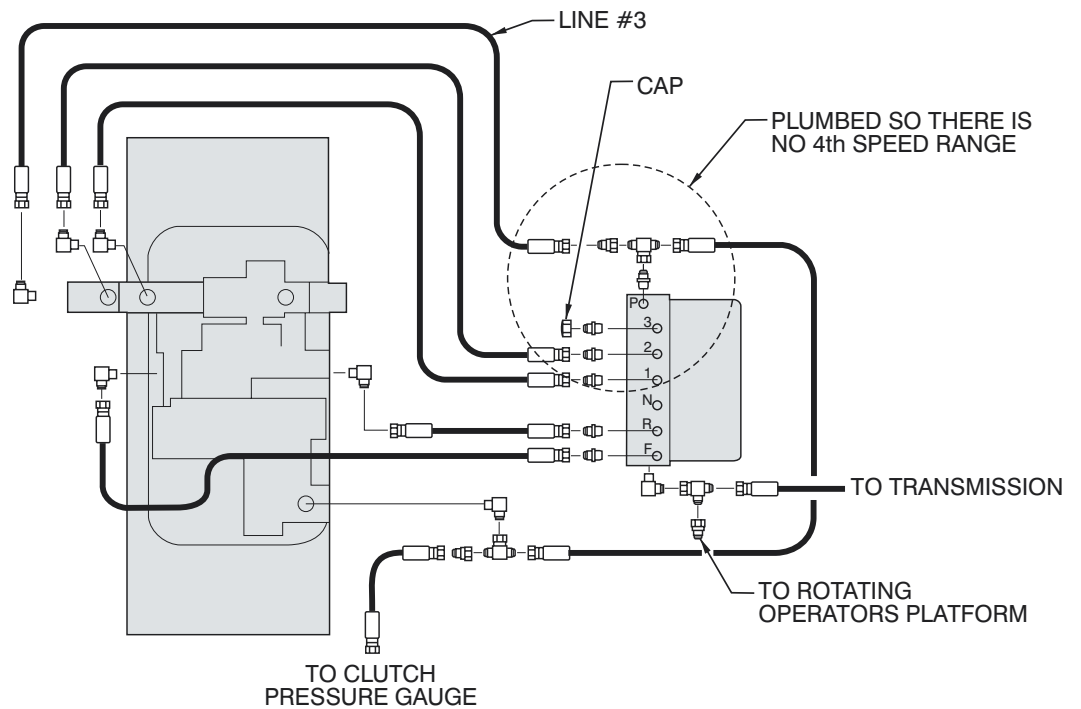


Transmission Circuit

4-Speed Transmission
(Standard)



4-Speed Transmission
(Optional 4th Gear Lock-Out)



4-Speed Transmission
(Optional 3rd and 4th Gear Lock-Out)

