

## Jack Locations

Carefully follow these instructions and warnings to help prevent personal injury or damage to your Logstacker:

1. Park on firm level surface and lower the empty carriage to ground.
2. Engage parking brake and remove key from key switch. Tag key switch "DO NOT START" and follow your company's Lockout Procedure to ensure that the engine is not inadvertently started.
3. Block wheel on opposite side of wheel to be raised.
4. See Figure 1. Jacks and jack stands may be placed anywhere on the bottom 1" steel plate highlighted in yellow. Use pads (anti slip material) that are minimum 4" x 4" in size between jack and Logstacker to prevent damage.
5. Place jack stand(s) as required. The jack stand(s) must be capable of holding entire weight of machine, or 170,000 lbs (77,100 kg). Use pads (anti slip material) that are minimum 4" x 4" in size between jack stand(s) and Logstacker to prevent damage.

### REAR

Use two jacks when raising rear of Logstacker. Each jack should be capable of lifting at least 20% of machines weight or 34,000 lbs (15,400 kg). Use one on each side.

### FRONT

Use a jack(s) capable of lifting at least 40% of machine's total weight or 68,000 lbs (30,800 kg). Use two jacks when lifting entire front end, one on each side.



## WARNING

**Never rely on a jack or any lifting device to hold the weight of the Logstacker. Always use jack stands capable of holding the entire weight of the machine.**



## WARNING

**Do not let any person on or under the Logstacker while the machine is on a jack or any lifting device. Please call Allied Systems service department with any questions (503-625-2560).**

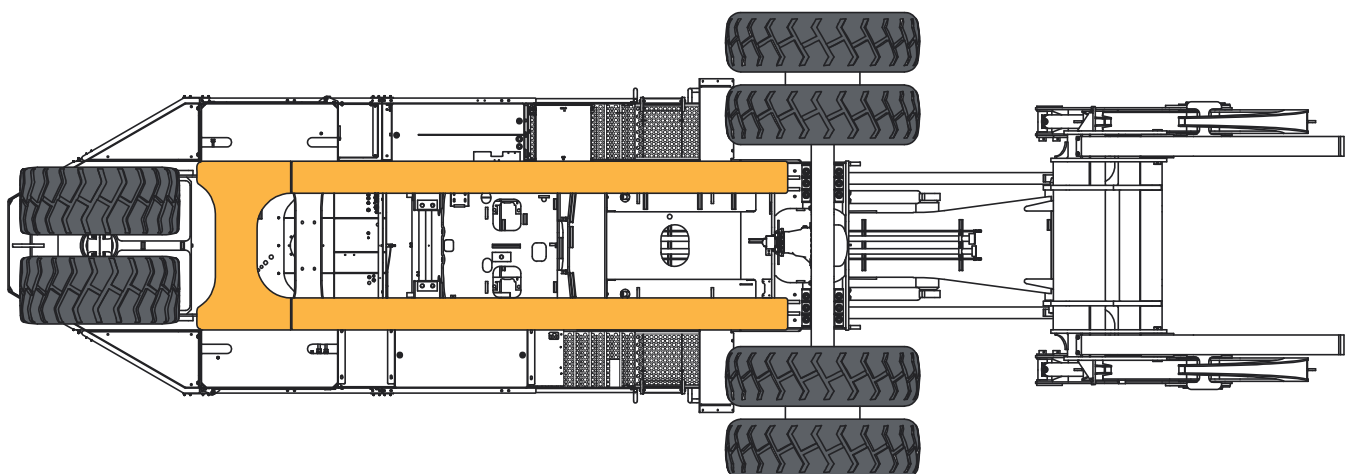


Figure 1 Jacking Locations, L100



**INTENTIONALLY LEFT BLANK**