

Lubrication CHD100

Proper and consistent lubrication of articulation points on your Wagner is vital to the longevity of your machine.

Note: The drivelines require a different grease than the rest of the machine. See Fluids chart in Section 10, or the tables on page 2 for details.

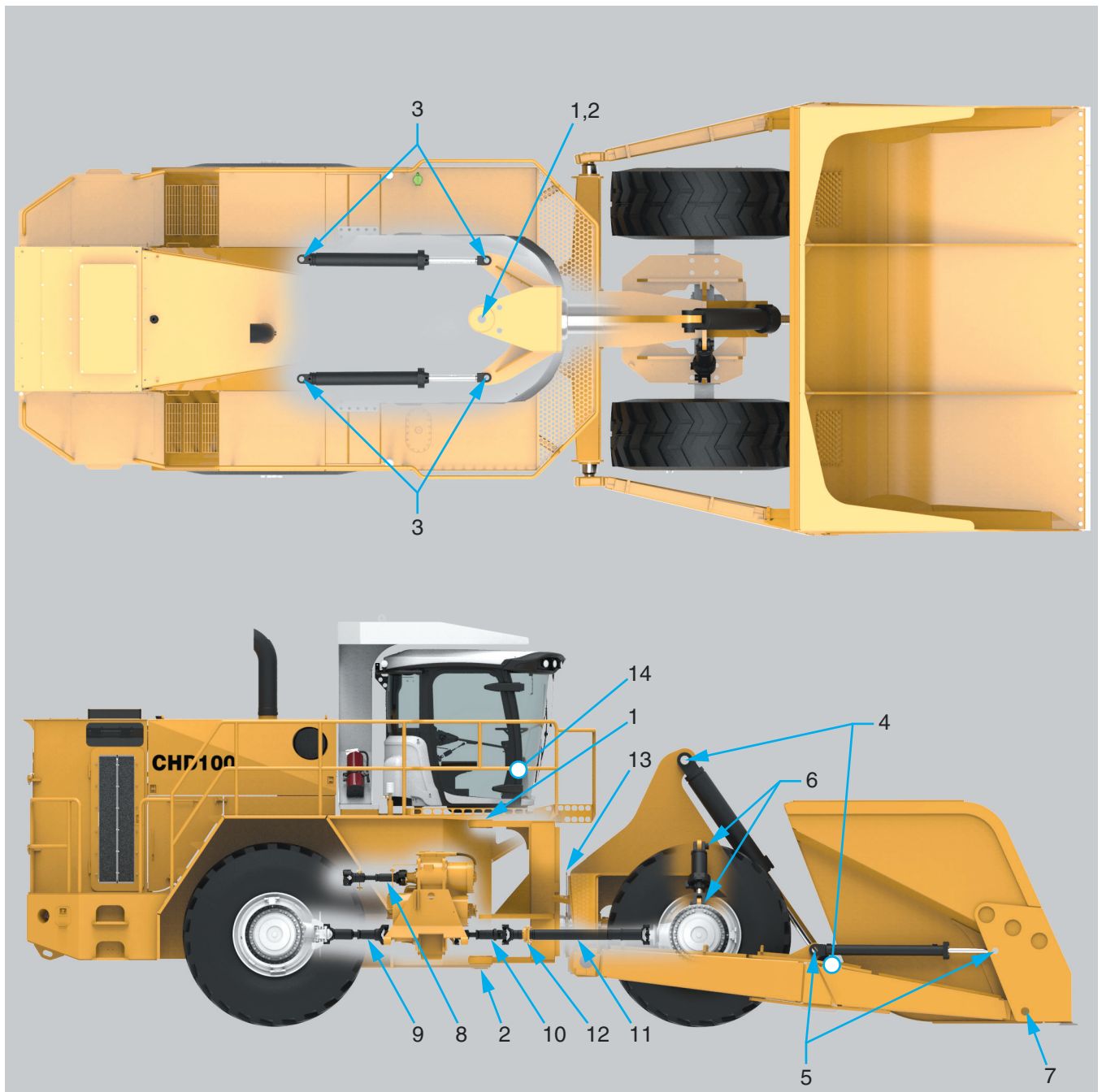


Figure 1 Lubrication Points

Lubrication Schedule

Refer to Figure 1.

10 Hours

Before engine startup, check the following:

①	Hinge Pin - Upper	Mobilgrease Special No. 2
②	Hinge Pin - Lower	
③	Steering Cylinder Pins	
④	Hoist Cylinder Pins	
⑤	Dump Cylinder Pins	
⑥	Side Tilt Cylinder Pins	
⑦	Lift Arm To Bucket Pins	

50 Hours

⑧	Driveline - Converter to Transmission *a	
⑨	Driveline - Transmission to Rear Axle *a	Mobilith SHC 220 Grease
⑩	Driveline - Transmission to Swivel *a	Mobilith SHC 220 Grease
⑪	Driveline - Swivel to Front Axle *a	Mobilith SHC 220 Grease
⑫	Driveline - Support Bearing *a	Mobilith SHC 220 Grease
⑬	Swivel Bearing	Mobilgrease Special No. 2

2000 Hours

⑭	Steering Column U-Joints *a	Mobilgrease Special No. 2
---	-----------------------------	---------------------------

*a Use handgun or lower pressure adaptor; lubricate sparingly.