

## Diesel Tank Maintenance

### General

The diesel tank on your Wagner should be sampled monthly for water in your fuel, and drained and cleaned semi-annually.

With routine maintenance, the diesel tank should accumulate little to no water. Replacing your fuel filters at the specified interval and using clean fuel are the most important factors to preventing water in your diesel tank.

However, it is possible that some water will collect in your tank, even with preventive maintenance performed. It is important to periodically check for water in your diesel tank, and remove it if necessary. Water in your tank can damage your engine, and promote the growth of bacteria and fungi in your tank.

### Interval

Typically, your diesel should be sampled monthly for the presence of water in the tank. This interval may be shortened if your Wagner is showing signs of water in diesel (erratic idling and performance, or engine cuts out momentarily, especially during acceleration).

### Collect a Sample

There are two magnetic plugs on the bottom of the diesel tank. See Figure 1. Since diesel is lighter than water, water should collect at the bottom of the tank.

Allow the machine to rest, ideally for 24 hours, to allow the water and diesel to separate. Remove one of the plugs, and collect a small sample in a clean container.

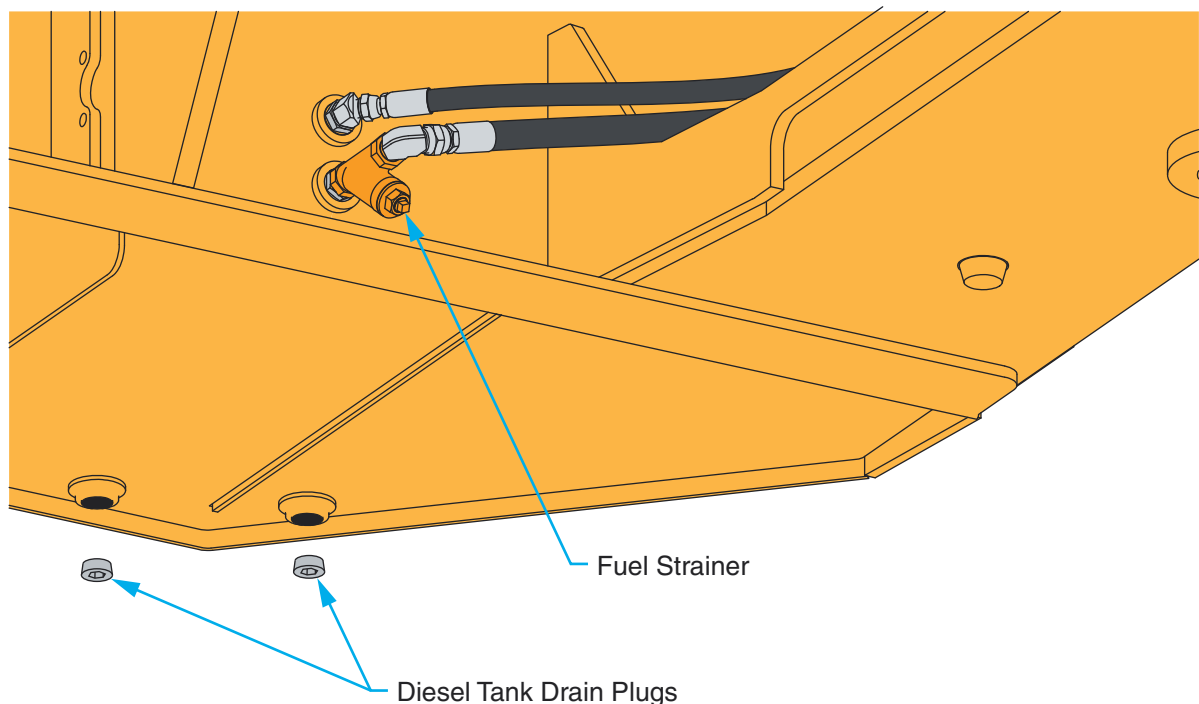


Figure 1 Diesel Tank (Left Front of Chassis)

---

## Allow Sample to Settle

The sample should be transferred into a clear glass container, and allowed to sit in a dark location for 24 hours. If there is water in your diesel, it will appear at the bottom of the glass container once allowed to settle. See Figure 2.

Check also for a thin black line between the water and the diesel. This may indicate the presence of microorganisms. Use a biocide developed for diesel fuel.

## Draining the Tank

The tank should be drained and cleaned every 6 months, or when water is detected, whichever occurs first.

Drain the tank into suitable containers, and dispose of the diesel in accordance with local, national, and international regulations.

Open the clean-out covers on the tank, and thoroughly clean the inside of the tank, removing any rust or film found. Wipe the inside of the tank with rags, and remove any debris at the bottom of the tank, and on the magnetic plugs.

Remove the stainer screen on the fuel strainer (see Figure 1), and clean with fresh diesel fuel, or spray carburetor cleaner.

Make sure the tank is completely clean and dry before refilling.



*Figure 2 Analyze the Sample*