

## Towing

Carefully follow these instructions and warnings to help prevent personal injury or damage to your Logstacker:

The towing eye is located at the rear of the machine, near the rear tires. See Figure 1. The towing eye is rated at 70,000 lbs. The rear tires should be positioned to be parallel to the centerline of the machine, and the direction of pull should be parallel within 15 degrees to the centerline of the machine.

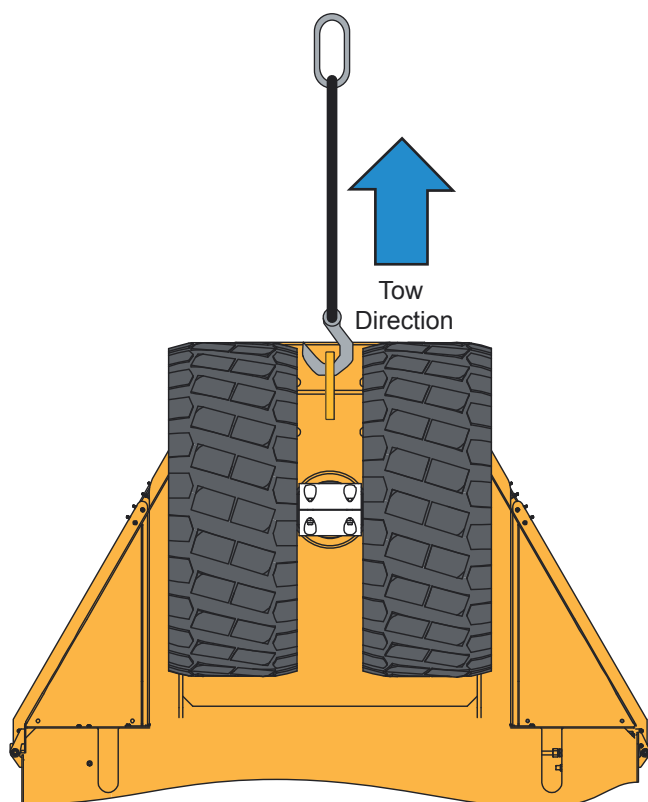


Figure 1 Towing Direction

### Machine Has Power

1. Connect chains as shown in Figure 1.
2. Disengage park brake and raise carriage so it is at least 2 ft. off the ground.
3. Place transmission in neutral or operate machine in reverse while being towed.

### Machine Does Not Have Power - Accumulators Full

1. Turn key to ON position. Disengage park brake.

### Machine Does Not Have Power - Accumulators Empty

1. Remove hose from park brake caliper and connect porta-power (see Figure 2). Operate porta-power until park brake disengages.

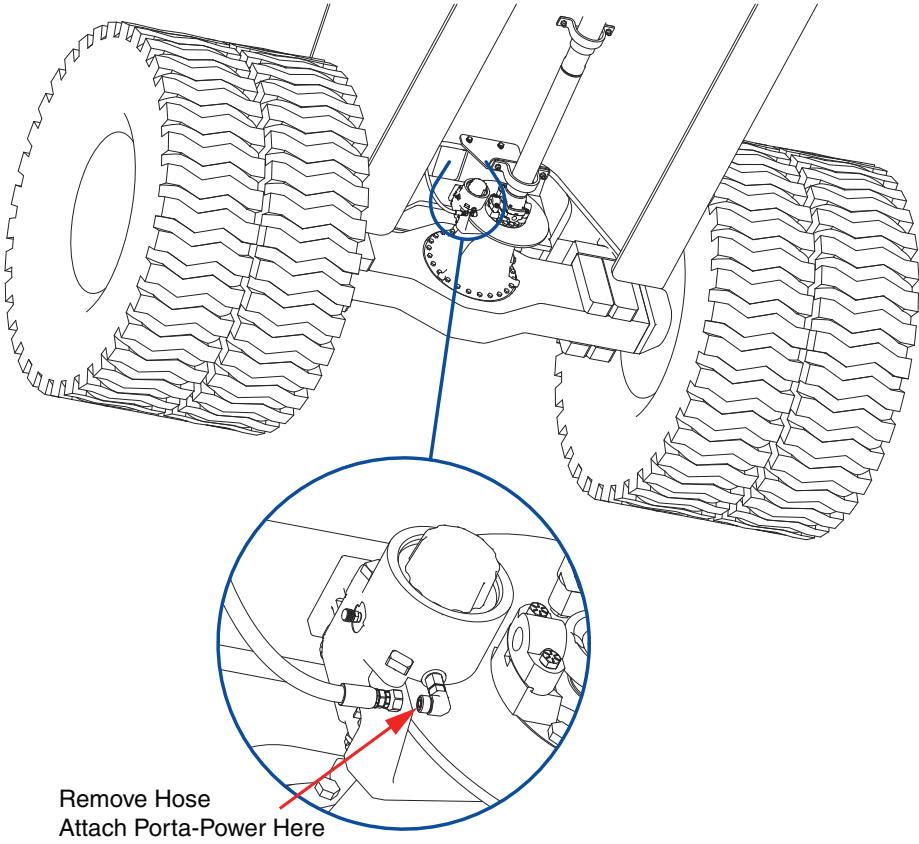


## WARNING

Porta-Power hose should be long enough so operator can secure it to the machine and stand clear while the machine is being towed. Failure to do so could result in injury or death.

## NOTICE

Tow straight backwards only, parallel within 15° to the centerline of the machine (see Figure 5-7-1). Failure to do so may cause damage to machine.



*Figure 2 Connect Porta-Power*