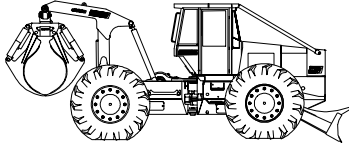
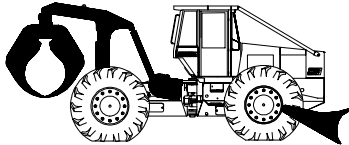
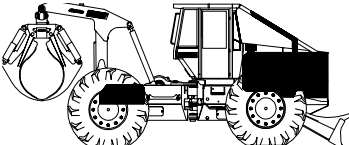
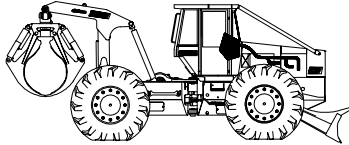
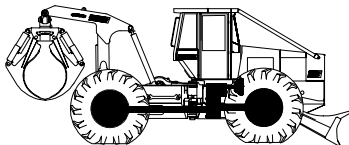
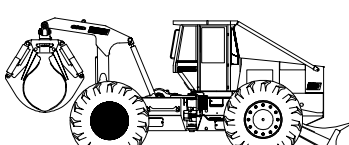
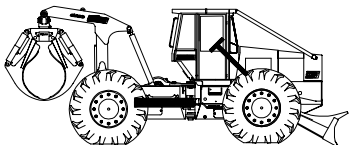
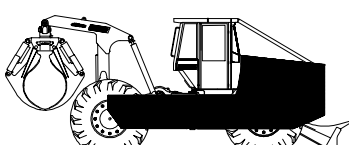
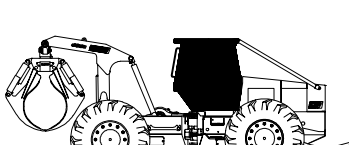
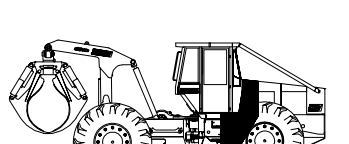


# RANGER



## Log Skidder Parts Manual

**Allied Systems**  
COMPANY

<b>General Information</b>		0-1 Introduction 0-2 How to use the Parts Manual 0-3 Decals	<b>0</b>
<b>Attachments</b>		1-1 Arch 1-2 Blade 1-3 Boom 1-4 Grapple 1-5 Winch 1-6 Miscellaneous	<b>1</b>
<b>Power Unit</b>		2-1 Engine 2-2 Controls 2-3 Lubrication 2-4 Fuel 2-5 Air intake & Exhaust 2-6 Cooling 2-7 Miscellaneous	<b>2</b>
<b>Electrical System</b>		3-1 Systems and Circuits 3-2 Components 3-3 Miscellaneous	<b>3</b>
<b>Drive Train</b>		4-1 Transmission and Converter 4-2 Drivelines 4-3 Axles 4-4 Wheels and Tires 4-5 Miscellaneous	<b>4</b>
<b>Brake System</b>		5-1 Systems 5-2 Components 5-3 Miscellaneous	<b>5</b>
<b>Steering System</b>		6-1 Systems 6-2 Components 6-3 Miscellaneous	<b>6</b>
<b>Frame</b>		7-1 Systems 7-2 Miscellaneous	<b>7</b>
<b>Cab</b>		8-1 Basic Structure 8-2 Instruments and Controls 8-3 Miscellaneous	<b>8</b>
<b>Hydraulic System</b>		9-1 Systems & Circuits 9-2 Pumps 9-3 Valves 9-4 Cylinders 9-5 Filters 9-6 Miscellaneous	<b>9</b>

## Section 0

### General Information

<b>Page No.</b>	<b>Description</b>
<b>0-1</b>	<b>Introduction</b>
0-1.1	Serial Number Code
<b>0-2</b>	<b>How to use the Parts Manual</b>
<b>0-3</b>	<b>Decals</b>
0-3.1	Common Decal Installation
0-3.3	Hi Vis Decal Installation
<b>0-4</b>	<b>Filters and Belts</b>
<b>0-5</b>	<b>Alphabetical Index</b>
<b>0-6</b>	<b>Numerical Index</b>

Intentionally Blank

## Introduction

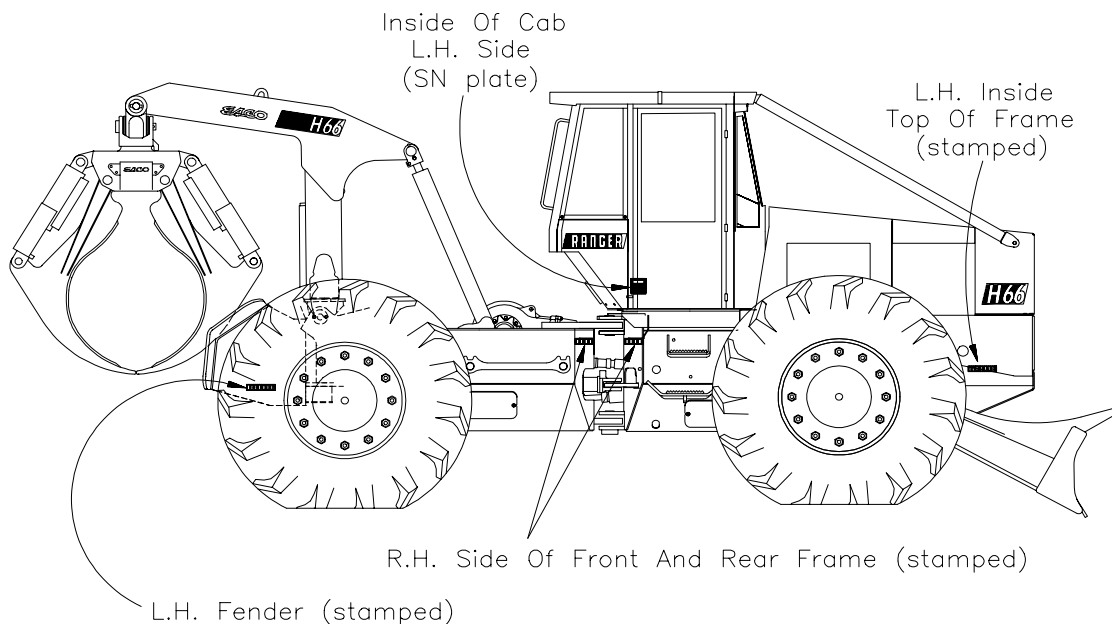
The H66 Parts Manual is designed to assist you in maintaining your Ranger Skidder. This Manual is updated from information available at the time of printing. However, due to the constant improvements in product design, certain changes made after printing may not be included in this publication. This Manual should be used with all related supplemental Publications. Related Service Bulletins should be reviewed to provide information regarding some recent changes.

## Serial Number Code

At the time of manufacture every machine is assigned a serial number.

The Prefix lists the model type followed by a production sequence number:

H66DS-XXXX	Ranger Dixie Special Machine
H66C-XXXX	Ranger Cable Machine
H66G-XXXX	Ranger Grapple Machine
H66H-XXXX	Ranger Hi-Vis Machine



Intentionally Blank

## How to use the Parts Manual

This Manual contains illustrated parts lists with descriptions. Illustrations shown are only typical examples of the appearance of parts arrangements. Illustrations are provided to locate and identify parts only and should not be used as a guide for assembly.

The Ranger Parts Manuals are broken into 10 separate Function Groups. Information for certain functions are grouped into the same Function Group, following in the same pattern as the Service Manuals. Index tabs separate each main group and contain a list of Major Components that will assist in referencing information.

### List of Major Components

Each Section contains a list all major components of that section. This table includes all assemblies and subassemblies represented by separate illustrated parts lists.

### Subassemblies and Components

The parts list consists of a breakdown of the complete unit into subassemblies and detail parts. All components that can be separately identified are listed.

### Page Number

All Parts Lists are numbered by Function Group then Sub Group. Example, Page 2-5 would be Group 2, Power Unit, Sub Group 5, Air Intake.

### Page Date

All Part List revisions are tracked by date located on bottom of page.

### Parts List

#### Format

Component parts lists are presented in 5-column format. All assemblies and subassemblies have been assigned their own parts lists.

### Item

In this column, index numbers are assigned in numerical sequence. Index numbers relate directly to numbers displayed on the respective parts breakdown illustration.

### Notes

This column indicates footnotes as applicable to specific items. (See Symbols)

### Part Number

This column lists the Allied Systems Company Part Number.

Some items are closely mated at manufacture, and therefore must be ordered as a set. This would include

items such as valve housings and spools, ring gears and pinions, etc. When such a situation exists, it is indicated by NSS (not sold separately) in the part number column.

### Qty

This column lists the total number of each part required per assembly or subassembly.

### Description

This column lists the item nomenclature along with those modifiers necessary to identify the item.

One dot preceding the description indicates that the item is a component part of the previously listed item or assembly with no dot. Two dots indicates that the item is part of the previously listed item with one dot.

Example:

Condenser  
. Bracket  
. . Adjusting Arm  
. . Adapter  
. . . Capscrew

The Bracket Assembly is a first level subassembly of the Condenser. This is indicated with one dot.

The Adjusting Arm and Adapter Assembly are second level subassemblies of the Bracket Assembly. This is indicated with two dots.

The Capscrew is a third level component of the Adapter Assembly. This is indicated with three dots.

### Symbols

Symbols are used in Parts Lists to further describe or lead you to another Parts List.

NSS Not Sold Separately

A/R Indicates As Required where the items length or dimension must be specified when ordering.

\*a Footnote. The Part may be in a Kit or have a specific description requiring a footnote.

\* See Separate Parts List. Further Parts breakdown is on another Parts List.

Ref Indicates that the item is listed elsewhere in another Parts List. It is shown here only for reference.

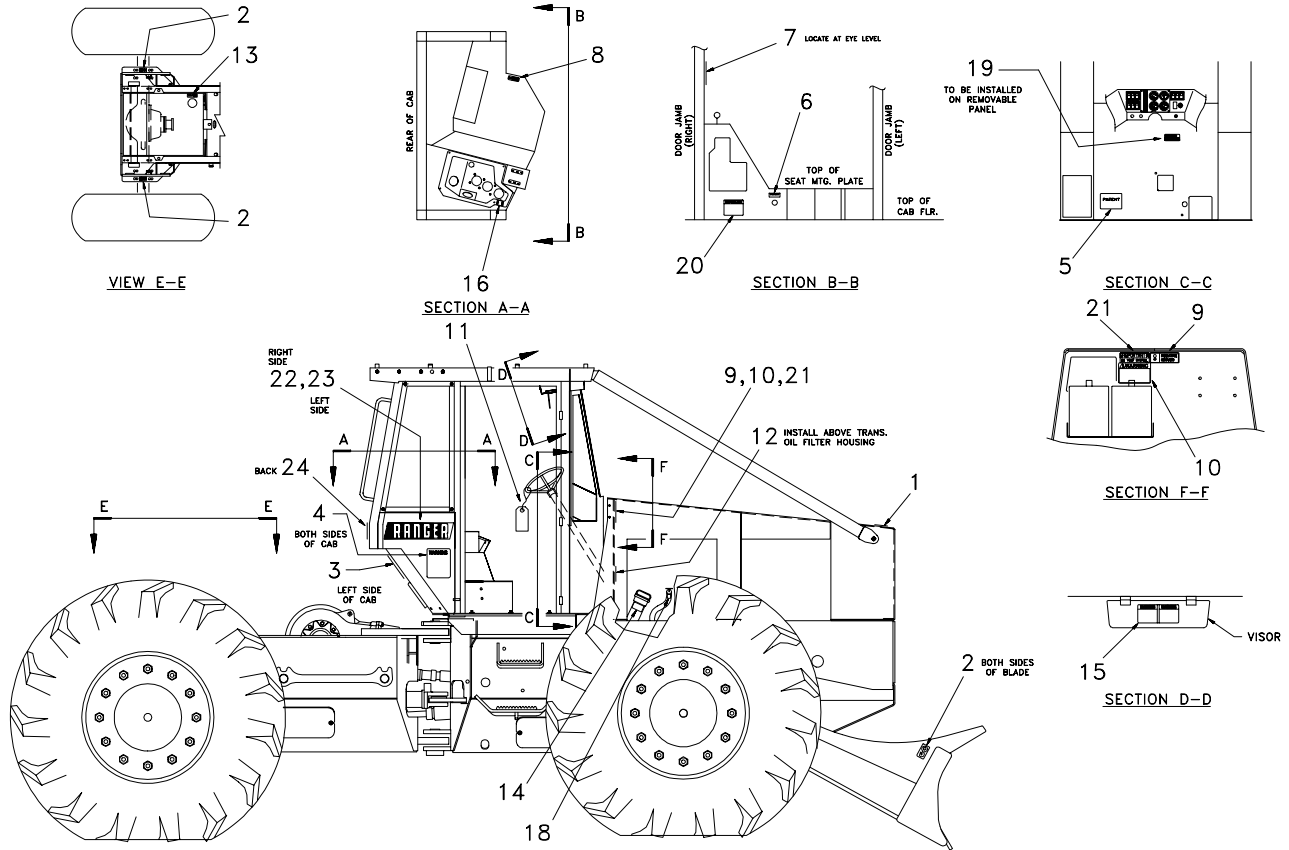
——— Item is Referenced or Part of a Kit.

### Serial Number

When ordering Parts be sure to have the Model, Serial Number and any special features, options or accessories of your Ranger Skidder.

Intentionally Blank

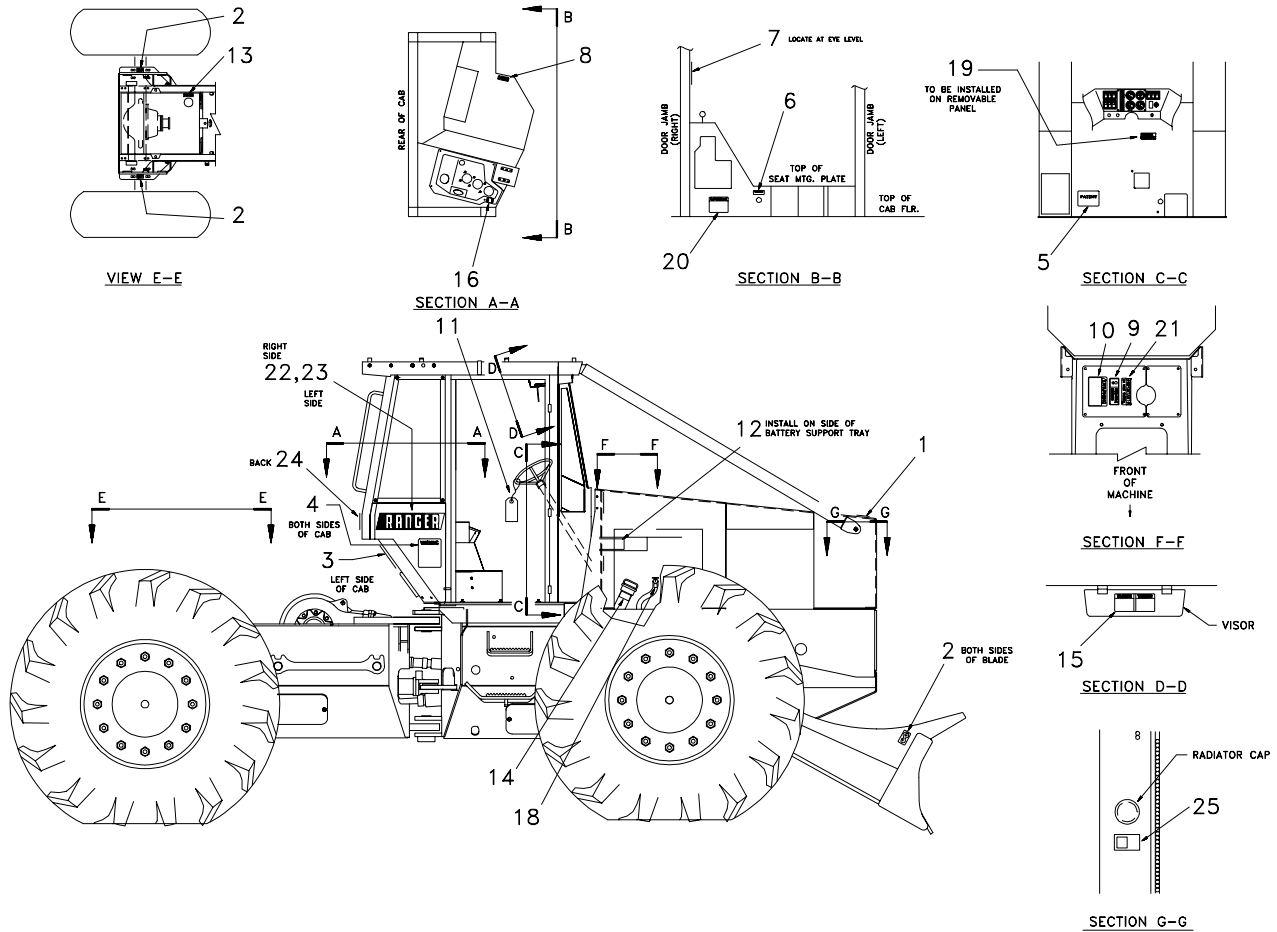




H660a01.dwg

### Common Decal Installation

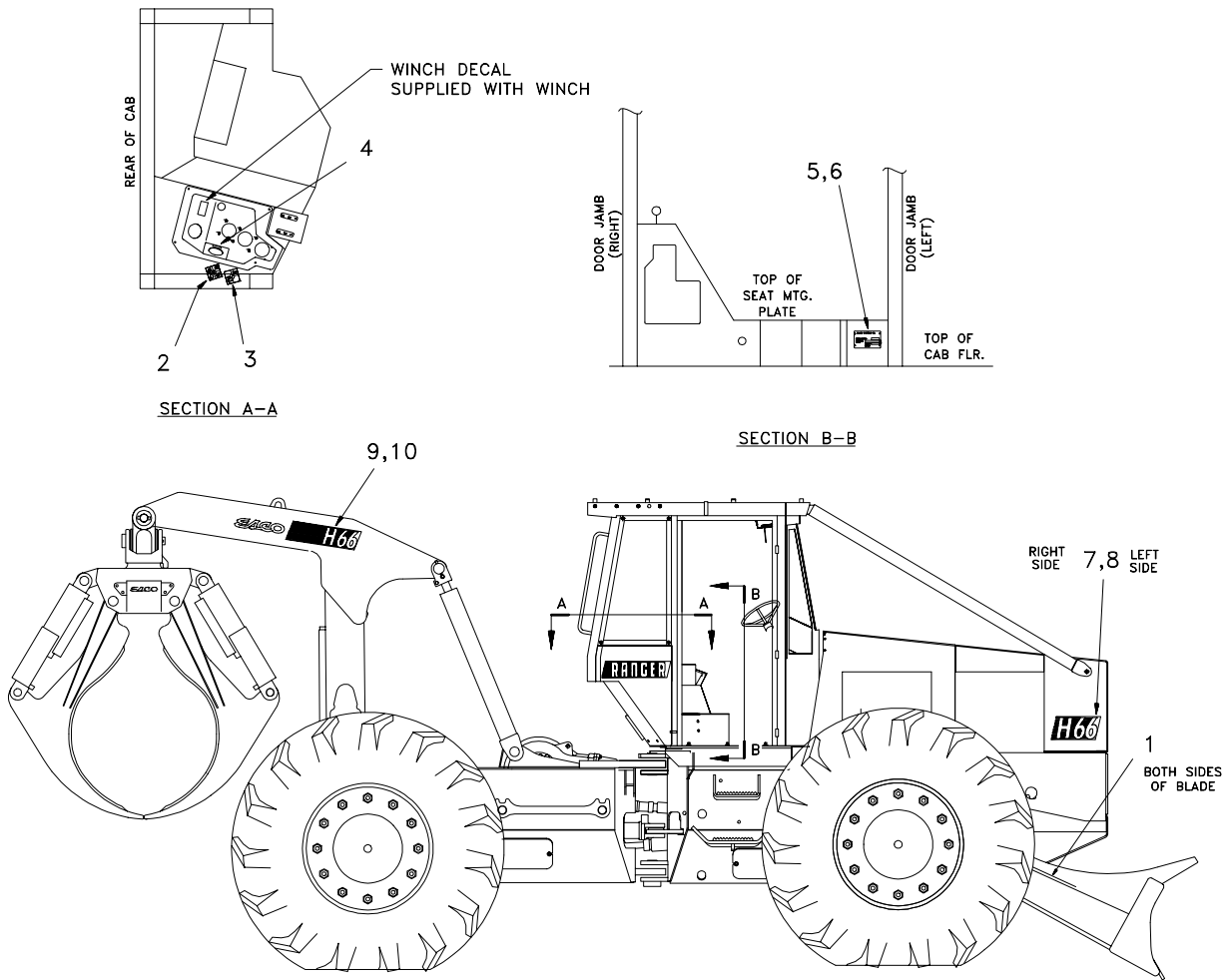
Item	Part No.	Qty	Description	Item	Part No.	Qty	Description
<b>R14634 Common Decal Installation</b>							
1	R13944	1	. Decal - Fill Warning	13	R10750	1	. Decal - #2 Diesel Fuel
2	R2536249	4	. Decal - Lift Symbol	14	R10752	1	. Decal - Hyd Reservoir
3	R1933439	1	. Decal - Lubrication	15	R1936079	1	. Decal - Keep Veh Clean
4	R1936078	2	. Decal - Articulation Warning	16	R10758	1	. Decal - Blade Raise/lower
5	R2534215	1	. Decal - Patent	18	R14608	1	. Decal - "Trans Fill"
6	R10754	1	. Decal - Battery Warning	19	R14610	1	. Decal - "Fuse"
7	R2534199	1	. Decal - (Removable) Engine Oil	20	R1932775	1	. Decal - Spark Arrestor
8	R10753	1	. Decal - Parking Brake	21	R14637	1	. Decal - "Important...24v"
9	R1922862	1	. Decal - Negative Ground	22	R14723	1	. Decal - "Ranger" (Cab Right)
10	R2557201	1	. Decal - Safety Wiring	23	R14724	1	. Decal - "Ranger" (Cab Left)
11	R1513887	1	. Tag - Steering Lock Warning	24	R14725	1	. Decal - "Ranger" (Cab Rear)
12	R10749	1	. Decal - Trans Oil Filter				



H660b01.dwg

### Common Decal Installation

Item	Part No.	Qty	Description	Item	Part No.	Qty	Description
<b>Common Decal Installation</b>							
1	R13944	1	. Decal - Fill Warning	13	R10750	1	. Decal - #2 Diesel Fuel
2	R2536249	4	. Decal - Lift Symbol	14	R10752	1	. Decal - Hyd Reservoir
3	R1933439	1	. Decal - Lubrication	15	R1936079	1	. Decal - Keep Veh Clean
4	R1936078	2	. Decal - Articulation Warning	16	R10758	1	. Decal - Blade Raise/lower
5	R2534215	1	. Decal - Patent	18	R14608	1	. Decal - "Trans Fill"
6	R10754	1	. Decal - Battery Warning	19	R14610	1	. Decal - "Fuse"
7	R2534199	1	. Decal - (Removable) Engine Oil	20	R1932775	1	. Decal - Spark Arrestor
8	R10753	1	. Decal - Parking Brake	21	R14637	1	. Decal - "Important...24v"
9	R1922862	1	. Decal - Negative Ground	22	R14723	1	. Decal - "Ranger" (Cab Right)
10	R2557201	1	. Decal - Safety Wiring	23	R14724	1	. Decal - "Ranger" (Cab Left)
11	R1513887	1	. Tag - Steering Lock Warning	24	R14725	1	. Decal - "Ranger" (Cab Rear)
12	R10749	1	. Decal - Trans Oil Filter	25	R15438	1	. Decal - Anti-Freeze



H660a02.dwg

### Hi Vis Grapple Decal Installation

Item	Part No.	Qty	Description	Item	Part No.	Qty	Description
<b>Hi Vis Grapple Decal Installation</b>							
1	R14609	3'	. Tread, Anti-Slip	6	R13800986	4	. Drive Screw
2	R14626	1	. Decal - H66 Grapple	7	R14730	1	. Decal - "H66" (Hardnose Right)
3	R14627	1	. Decal - F67 Boom (Hi-Vis)	8	R14731	1	1. Decal - "H66" (Hardnose Left)
4	R14631	1	. Decal - "Accum Press"	9	R14732	1	. Decal - "H66" (Grapple Right)
5	R12581162	1	. Plate	10	R14733	1	. Decal - "H66" (Grapple Left)

Intentionally Blank

## Quick Reference Filters and Belts

Machine Model H66

### Filters

<b>Fuel System</b>	Filter Strainer	R1992366	(1)
	Filter Element	R1992367 236964 *a	(1) (1)
	Fuel Filter (Inline)	R1992594	(1)
<b>Engine Oil</b>	Filter Element (Primary)	R12968480	(1)
<b>Air Cleaner</b>	Filter Element (Safety)	R12607137	(1)
	Filter Element (Primary)	R12607138	(1)
<b>Cab Air Cleaner</b>	Filter Element	R13018	(1)
<b>Transmission</b>	Filter Element	R1992156	(1)
<b>Hydraulic System</b>	Suction Strainer (In Tank)	R14340	(1)
	Return Filter (In Tank)	R11689	(1)

### Belts

Fan/Alternator	R12968481	(1)
	R15670 *a	
A/C Compressor	R10776	(1)

\*a First used Unit S/N 1616

Intentionally Blank

## Alphabetical Index

Description	Section Number	Description	Section Number
<b>A</b>			
Accelerator and Linkage	2-2	Filters	9-5
Accumulator	5-2	Front Axle	4-3
Accumulator	9-6	Front Axle - Differential Lock	4-3
Air Cleaner	2-5	Front Frame	7-1
Air Conditioner	8-3	Fuel Tank Installation	2-4
Air Conditioning/Heater Installation	8-3	<b>G</b>	
Air Intake	2-5	Grapple	1-4
Air Intake & Exhaust	2-5	<b>H</b>	
Air Pre-Clean Cap	2-5	Hand Throttle	2-2
Arch	1-1	Heater	8-3
Auxiliary Lighting	8-3	Heater Installation	8-3
Axle Installation	4-3	Hi-Vis Grapple Installation	1-4
Axles	4-3	Hi-Vis Hydraulic System	9-1
<b>B</b>			
Battery Cable/Disconnect	3-1	Hi Vis Hydraulic Valve Assembly	9-3
Blade	1-2	Hi Vis Hydraulic Valve Installation	9-3
Blade and Steering Cylinder	9-4	Hinge	7-1
Blade Cylinder Installation	1-2	Hydraulic Oil Cooler	9-1
Blade Hydraulics	9-1	Hydraulic Pump	9-2
Brake and Differential Lock Manifold	5-2	Hydraulic Tank	9-1
Brake Hydraulics	5-1	Hydraulic Test Ports	9-1
Brake Pedal Installation	5-2	Hydraulic Valve	9-3
Brake Valve	5-2	<b>I</b>	
<b>C</b>			
Cab Electrical System	3-1	<b>J</b>	
Cab Installation	8-1	<b>K</b>	
Cab Lighting	8-3	Idler Shaft Group	4-1
Charging Pump	4-1	Instrument Panel Assembly	8-2
Check Valve	9-3	Instruments and Controls	8-2
Clutch Group, Forward and Second	4-1	<b>L</b>	
Clutch Group, Low	4-1	Lube System	2-3
Clutch Group, Reverse and Third	4-1	Lubrication	2-3
Common Hydraulic System	9-1	<b>M</b>	
Components	3-2	Main Hydraulic Pump	9-2
Condenser	8-3	<b>N</b>	
Converter	4-1	<b>O</b>	
Coolant Collection Recovery Tank	2-6	Output Shaft Group	4-1
Cooling	2-6	<b>P</b>	
Cradle	7-1	Parallelogram Hydraulic Control Valve Installation	9-3
Cylinders	9-4	Parallelogram Arch/Boom Cylinder	9-4
<b>D</b>			
Dash Assembly	8-2	Parallelogram Grapple Cylinder	9-4
Declutch Solenoid Valve	4-1	Parallelogram Hydraulic Motor	9-2
Declutch System	4-1	Parallelogram Hydraulic System	9-1
Differential Lock System	4-3	Parallelogram Hydraulic Valve Assembly	9-3
Driveline - Rear Axle	4-2	Parking Brake Control	5-2
Driveline - Transmission to Converter	4-2	Pressure Regulating Group	4-1
Driveline - Transmission to Front Axle	4-2	Pumps and Motors	9-2
Driveline - Transmission to Pillowblock	4-2	<b>Q</b>	
Driveline - Transmission to Winch	4-2	<b>R</b>	
Driveline Installation	4-2	Radiator and Connections	2-6
Drivelines	4-2	Radiator Assembly	2-6
<b>E</b>			
Electrical System	3-1	Rear Axle - Differential Lock	4-3
Enclosed Cab	8-1	Rear Frame	7-1
Engine	2-1	Return Filter	9-5
Engine Electrical	3-1		
Engine Installation	2-1		
Exhaust System	2-5		

## Alphabetical Index

Description	Section Number	Description	Section Number
<b>S</b>		<b>U</b>	
Screened Cab	8-1		
Steering Controls	6-1	<b>V</b>	
Steering Cylinder Installation	6-2	Valves, Hydraulic	9-3
Steering Hydraulic Valve	6-2		
Steering Hydraulics	6-1	<b>W</b>	
Steering Lock	6-3	Wheels and Tires	4-4
		Winch	1-5
<b>T</b>		Winch Assembly	1-5
Tire and Rim Assembly	4-4	Winch Control Valve	1-5
Transmission and Converter Plumbing	4-1	Winch Hydraulics	9-1
Transmission Assembly	4-1	Winch Installation	1-5
Transmission Control Valve	4-1	Wiper/Washer Installation	8-3
Transmission Hydraulic Brake	4-1		
Transmission Installation	4-1	<b>X</b>	
Transmission Modulated Valve	4-1		
Transmission P.T.O. Group	4-1	<b>Y</b>	
Transmission Shift Control	4-1		
Transmission Shift Controller	4-1	<b>Z</b>	



Part No.	Page.	Item	Description	Part No.	Page.	Item	Description
11044	9-1.7	62	Fitting Assembly	209504	2-4.3	13	Fitting
11044	9-1.9	62	Fitting Assembly	209504	8-3.3	42	Fitting
11079	1-4.5	36	Fitting, Lube	209511	4-1.38	15	Plug
11860	9-1.14	2	Fitting	209511	4-1.38	16	Plug
12666	4-1.33	9	Fitting	209579	9-1.13	47	Clip
12666	4-1.33	16	Fitting	209696	4-3.14	28	Clamp
12666	4-1.35	9	Fitting	209744	1-5.8	27	O-Ring
12666	4-1.35	16	Fitting	209750	6-2.3	12	Fitting
15509	2-7.1		Ether Start	209757	2-4.3	31	Fitting
16268	2-6.4	10	Fitting	209776	9-1.3	40	Fitting
17707	9-1.5	27	Fitting	209776	9-1.9	35	Fitting
17707	9-1.7	27	Fitting	210767	9-1.3	12	Fitting
17707	9-1.9	27	Fitting	210767	9-1.7	26	Fitting
19990	5-1.5	68	Fitting	210767	9-1.9	26	Fitting
19990	9-1.16		Fitting	210769	9-3.6	7	Fitting
23577	4-1.33	17	Fitting	211367	4-3.14	18	Fitting
23577	4-1.35	17	Fitting	211550	4-3.14	25	Fitting
23577	9-1.11	27	Fitting	211550	9-3.6	18	Fitting
23944	2-6.4	13	Fitting	211560	4-3.14	16	Fitting
23960	5-1.5	27	Hose Assembly	211560	5-1.5	65	Fitting
26523	2-4.2	29	Fitting	211561	4-3.14	26	Fitting
26523	2-4.3	29	Fitting	211561	9-3.6	21	Fitting
28211	9-1.13	51	Fitting	211562	5-1.5	25	Fitting
150879	1-5.2	28	Fitting	212385	5-2.6	8	Snap Ring
191758	1-4.5	14	Fitting	212718	9-1.14	13	Fitting
191758	6-2.3	2	Fitting	214219	9-1.3	54	Fitting
200499	8-2.2	10	Clamp	214219	9-1.7	23	Fitting
201456	8-3.3	4	Clamp	214219	9-1.9	23	Fitting
201612	9-1.9	13	Capscrew	214229	2-4.3	8	Fitting
202259	2-5.1		Clamp	214316	4-3.14	20	Fitting
203190	8-3.3	7	Hose, Heater	214316	9-1.9	37	Fitting
203190	8-3.6	5	Hose, Heater	214807	9-1.11	38	Fitting
203274	8-3.3	25	Shutoff Valve	214905	2-7.1	1A	Tank, Starter Fluid
203426	5-2.6	9	Seal, O-Ring	215515	4-3.14	27	Fitting
205207	9-1.1	7	Tube	216784	2-6.4	11	Hose Assembly
206322	9-1.9	53	Fitting	217206	2-4.3	9	Fitting
207147	2-5.1		Clamp	217206	4-3.14	1	Fitting
209069	6-1.4	1	Fitting	217206	6-2.3	13	Fitting
209069	6-1.4	5	Fitting	218977	2-6.2	24	Clamp
209069	9-1.3	10	Fitting	219390	8-3.3	20	Loom
209069	9-3.6	5	Fitting	220949	8-3.10	41	Mount
209087	9-1.3	28	Fitting	222436	5-1.5	66	Fitting
209147	2-6.2	15	Fitting	222600	5-1.5		Capscrew
209147	9-1.1	11	Fitting	222938	9-2.1	8	Dowel Pins
209164	9-1.5	9	Fitting	223270	8-2.1		Key
209164	9-1.7	9	Fitting	223427	4-3.14	30	Washer
209166	9-1.3	15	Fitting	223436	5-1.5	60	Fitting
209208	2-6.2	16	Fitting	223654	2-4.3	20	Nut
209208	5-1.5	70	Fitting	223654	9-1.9	20	Nut
209208	9-1.13	9	Fitting	223687	9-1.9	3	Capscrew
209208	9-1.13	33	Fitting	223687	9-1.11	17	Capscrew
209215	9-1.3	45	Fitting	224131	2-6.2	28	Nut
209215	9-1.7	14	Fitting	224151	3-1.5	112	Fitting
209215	9-1.9	14	Fitting	225025	4-1.33		Fitting
209323	2-6.2	31	Fitting	225025	4-1.35	35	Fitting
209411	2-4.3	6	Fitting	225129	9-3.6	6	Fitting
209411	9-1.11	41	Fitting	225871	8-3.3	74	Trim
209413	2-4.3	32	Fitting	229301	3-1.4	2	Relay
209413	9-1.11	39	Fitting	229303	8-3.12		Bracket
209438	9-1.9	39	Fitting	229304	8-3.12	1	Fire Extinguisher
209442	4-1.35	14	Fitting	229666	2-6.4	12	Fitting
209485	9-1.3	58	Fitting	230558	6-2.1	24	Check Cap
209486	9-1.3	48	Fitting	230558	6-2.2	24	Check Cap
209488	9-3.6	17	Fitting	230698	9-1.1	32	Hose Assembly
209490	9-1.7	15	Fitting	230741	9-1.1	31	Hose Assembly
209490	9-1.9	15	Fitting	231184	6-1.4	2	Hose Assembly
209502	2-4.1	49	Fitting	231741	4-1.11	58	Cover and Housing Assembly
209502	2-4.2	49	Fitting	231741	4-1.25	58	Cover and Housing Assembly
209502	3-1.5	49	Fitting	232146	4-3.14	29	Nut

Part No.	Page.	Item	Description	Part No.	Page.	Item	Description
232939	8-3.3	75	Nut	R15423	9-5.1		Element Kit
232964	8-1.5	36	Bracket	R237025	4-1.37	54	Oil Seal
233880	8-2.2	14	Nut	R14555	8-2.1		Optional side Lighting
234235	8-3.1	6	Hose	12891W	1-5.3	1	Snap Ring
234581	4-1.37		Snap Ring	12891W	1-5.4	1	Snap Ring
234870	4-1.37	92	Capscrew	1314415W	1-5.4	4	Hub-Brake
234936	2-4.3	34	Hose Assembly	1314417W	1-5.4	15	Shaft-Brake
235048	8-3.3	56	Screw	1314419W	1-5.3	4	Hub-Clutch
235620	3-1.7	72	Nut	1314421W	1-5.2	6	Cover-Brake
235708	1-4.2	38	Nut	1314424W	1-5.4	17	Piston-Brake
236402	8-2.2	5	Gauge, Water Temp	1314446W	1-5.3	14	Piston-Clutch
236403	8-2.2	3	Gauge, Voltmeter	1314447W	1-5.3	13	Spring-Clutch
236407	8-2.2	2	Gauge, Oil Pressure	1314469W	1-5.3	5	Spacer
236486	8-2.1	59	Symbol, Light	1314470W	1-5.6	23	Shim-.025
236625	5-1.3	47	Coupler, Test	1314473W	1-5.5	6	Shim-.005
236625	5-1.5	47	Coupler, Test	1314474W	1-5.5		Shim-.007
236625	9-1.14	10	Coupler	1314475W	1-5.5		Shim-.020
236676	8-2.2		Bulb, Light	1314480W	1-5.2	3	Cover-LH
237135	9-1.11	23	Hose Assembly	1314483W	1-5.6	22	Cone-Roller Bearing
237566	2-6.2	27	Capscrew	1314485W	1-5.6	23	Shim-.015
238142	2-7.1	6	Seal	1314486W	1-5.6	23	Shim-.018
238147	2-7.1	5	Pin, Female	1314487W	1-5.6	23	Shim-.020
238158	2-7.1	4	Connector, Wire	1314488W	1-5.6	23	Shim-.022
239113	8-3.4	39	Relay	1314491W	1-5.6	12	Drum
239113	8-3.7	39	Relay	1314496W	1-5.6	8	Ring-Torque
240375	3-1.4	6	Nut	1314497W	1-5.6	7	Piston-Freespool
240979	4-1.41	2	Coil	1314499W	1-5.2	8	Cover-RH
241288	8-1.5		Key	1314502W	1-5.2	21	Spring
241997	3-1.7	69	Machine Screw	1314503W	1-5.6	14	Keeper-Ferrule
242436	8-2.2		Gauge, Water Temp	1314516W	1-5.2	2	Cover-Front
242437	8-2.2		Gauge, Converter Temp	1314547W	1-5.2	19	Knob
242438	8-2.2		Gauge, Oil Pressure	1314549W	1-5.3	12	Guide-Spring
242439	8-2.2		Gauge, Voltmeter	1314555W	1-5.8	11	Spool
242461	3-1.4		Oil Pressure Sender	1314556W	1-5.8	14	Spring-Centering
242461	3-1.5	77	Oil Pressure Sender	1314556W	1-5.9	7	Spring-Centering
242462	3-1.4		Water Temperature Sender	1314562W	1-5.8	15	Spool End
242462	3-1.5	82	Water Temperature Sender	1314563W	1-5.8	19	End Cap
242463	3-1.4		Oil Temperature Sender	1314564W	9-3.6	D	Link
242463	3-1.5	88	Oil Temperature Sender	1314566W	1-5.2	4	Capscrew
242809	8-3.8	10	Bracket	1314575W	1-5.8	13	Spacer
242810	8-3.8	9	Lever	1314580W	1-5.4	3	Snap Ring
243216	5-1.5	61	Manifold, Brake	1314589W	1-5.8	26	Plug
243219	5-1.5	71	Hose Assembly	1314595W	9-3.6	A	Bracket
243274	5-2.5	10	Valve, Charge	1314680W	1-5.6	3	Shim-.015
243636	5-1.5	67	Filter	1314681W	1-5.6		Shim-.018
243636	9-5.2		High Pressure Filter	1314682W	1-5.6		Shim-.020
243824	8-3.3		Cap, Dust	1314683W	1-5.6		Shim-.022
243825	8-3.3		Cap, Dust	1314684W	1-5.6		Shim-.025
243996	2-6.2	1	Radiator/Cooler	1314685W	1-5.6	5	Cup-Roller Bearing
243996	2-6.6		Radiator	1314686W	1-5.6	4	Cone-Roller Bearing
244522	2-6.6	3	Torque Converter Oil Cooler	1314704W	1-5.6	20	Seal
244523	2-6.6	2	Radiator Core	1314759W	9-3.6	B	Bolt
244524	2-6.6	1	Hydraulic Oil Cooler	1314777W	1-5.6	1	Sleeve-Seal
244596	9-5.2	4	O-Ring	1314783W	1-5.6	2	Seal
244597	9-5.2	5	Backup Ring	134803W	1-5.6	13	Capscrew
244917	6-2.1	7	Main Relief	136625W	1-5.2	5	Pin
244978	6-2.1	2	Plug	137153W	1-5.6	18	Cup-Roller Bearing
244978	6-2.2	2	Plug	137155W	1-5.6	19	Cone-Roller Bearing
245010	6-2.2		Steering Hydraulic Valve	139385W	1-5.4	14	Snap Rin
245015	5-2.4	11	Valve Body	140597W	1-5.3	16	O-Ring
245164	6-2.2	A	Inlet Section	14594W	1-5.9	16	Plug
245165	6-2.2	7	Main Relief	14595W	1-5.2	11	Fitting
245255	9-5.2	1	Visual Bypass Indicator	14604W	1-5.2	13	Fitting
507535	9-1.1	25	Fitting	15058W	1-5.2	29	Nut
1991323	5-2.6	5	Screw	15216W	9-3.6	E	Pin
2303050W	1-5.3		Service Kit	15859W	1-5.8	23	O-Ring
383789W	1-5.2		Loctite	16334W	1-5.8	4	Caspscrew
R13913	9-5.1		Service Kit	16334W	9-3.6	F	Capscrew
R14768	9-6.1		Service Kit	16483W	1-5.9	17	O-Ring

Part No.	Page.	Item	Description	Part No.	Page.	Item	Description
16484W	1-5.2	12	O-Ring	240683W	1-5.5	2	Snap Ring-Ext
16485W	1-5.2	16	O-Ring	251099W	1-5.8		Adhesive
16485W	1-5.8	22	O-Ring	264159W	1-5.2		Sealant
16485W	1-5.9	15	O-Ring	296844W	1-5.5	3	Bearing-Roller
16487W	1-5.2	14	O-Ring	30190W	1-5.6	21	Cup-Roller Bearing
16487W	1-5.2	27	O-Ring	313022W	1-5.4		Seal Kit
16487W	1-5.9	18	O-Ring	316828W	1-5.6	17	Nut
166905W	1-5.8	12	Spacer-Centering	330596W	1-5.8	18	Ball-Steel
169874W	9-3.6		Nut	330596W	1-5.9	11	Ball-Steel
18425W	1-5.8	5	Washer	334402W	1-5.3	15	Seal-Clutch Pack
18425W	9-3.6		Washer	334417W	1-5.3	10	Plate-Separator
18596W	1-5.2	9	Capscrew	334417W	1-5.4	8	Plate-Separator
216590W	1-5.2	15	Fitting	334442W	1-5.3	8	Plate-Pressure
219084W	1-5.4	19	Spring	334442W	1-5.4	6	Plate-Pressure
221771W	1-5.2	10	Washer	334475W	1-5.3	7	Snap Ring
221780W	1-5.3	22	Washer	334475W	1-5.4	5	Snap Ring
221786W	1-5.5	14	Washer	334480W	1-5.3	11	Snap Ring
2300174W	1-5.2	20	Insert	33716W	1-5.6	6	O-Ring
2300179W	1-5.8	7	Seal Kit	346677W	1-5.3	20	Seal Ring
2300179W	1-5.9	4	Seal Kit	346796W	1-5.3	9	Plate-Friction
2300187W	1-5.8	8	Cartridge-Check	346796W	1-5.4	7	Plate-Friction
2300193W	1-5.8	24	Plug	37591W	1-5.6	9	Snap Ring-Int
2300221W	1-5.4	12	Spacer	39756W	1-5.4	11	O-Ring
2300227W	1-5.4	10	Housing-Brake	398888W	1-5.2	30	Capscrew
2300266W	1-5.2	23	Kit-Seal Ring Sleeve	398888W	1-5.5	8	Capscrew
2300276W	1-5.2	22	Pad	398943W	1-5.2	7	Capscrew
2300285W	1-5.8	17	Spring-Detent	41308W	1-5.3	2	Ball Bearing
2300285W	1-5.9	10	Spring-Detent	41308W	1-5.4	2	Bearing
2300315W	1-5.8	10	Seal	42G001004	5-2.6	12	Screw
2300315W	1-5.9	5	Seal	43208W	1-5.3	3	Ball Bearing
2300425W	1-5.6	11	Spring	43208W	1-5.4	18	Bearing
2300485W	1-5.5	1	Set-Ring/Pinion	44308W	1-5.3	6	Bearing
2300488W	1-5.5	13	Nut-Lock	44310W	1-5.3	18	Bearing
2300491W	1-5.5	12	Gear-95 T	60653W	1-5.8	25	O-Ring
2300492W	1-5.5	4	Cone-Roller Bearing	61141W	1-5.8	16	Ball-Steel
2300493W	1-5.5	9	Cup-Roller Bearing	61141W	1-5.9	12	Ball-Steel
2300494W	1-5.5	10	Cone-Roller Bearing	636850W	1-5.8	9	Wiper-Rod
2300495W	1-5.5	7	Carrier-Pinion	636850W	1-5.9	6	Wiper-Rod
2300496W	1-5.5	5	Cup-Roller Bearing	86596W	1-5.4	13	O-Ring
2300498W	1-5.5	11	Shim-.015	87287W	1-5.4	16	O-Ring
2300499W	1-5.5	11	Shim-.018	R15140	9-3.7		Seal Kit
2300500W	1-5.5	11	Shim-.020	R10001	8-1.1	9	Washer
2300501W	1-5.5	11	Shim-.022	R10002	2-2.1	11	Pedal
2300502W	1-5.5	11	Shim-.025	R10003	8-1.1	10	Washer
2300534W	1-5.6	24	Shaft-Drum	R10004	8-1.1	6	Washer
2300576W	1-5.4		Seal Kit	R10006	8-1.1	8	Nut
2300586W	1-5.4	9	Capscrew	R10007	8-1.1	5	Sleeve
2301082W	1-5.8	2	Gasket	R10014	2-2.1	21	Ball Joint
2301199W	1-5.8	6	Plug	R10017	8-1.1	3	Screw
2301199W	1-5.9	3	Plug	R10018	8-1.1	4	Nut
2301295W	1-5.2	26	Fitting	R10032	5-2.2	1	Brake Pedal
2301878W	1-5.8	3	Plate-Cover	R10035	6-1.1	1	Steering Column
2302046W	1-5.3	19	Seal	R10035	6-1.3	1	Steering Column
2302161W	1-5.3	17	Shaft & Housing Assembly	R10037	6-1.1	2	Clamp
2302162W	1-5.3		Clutch Assembly	R10037	6-1.3	2	Clamp
2302175W	1-5.2	24	Bracket	R10061	6-1.1	5	Nut
2302176W	1-5.2	25	Stud	R10061	6-1.3	5	Nut
2302177W	9-3.6		Connecting Plate	R10075	4-1.40	5	Diode Assembly
2302191W	1-5.8		Winch Control Valve	R10167	2-2.2	1	Pivot
2302226W	1-5.9	8	Stop Cup	R10167	2-2.3	1	Pivot
2302227W	1-5.9	13	Sleeve, Detent	R10168	2-2.2	2	Collar
2302229W	1-5.9	9	Retainer, Detent	R10168	2-2.3	2	Collar
2302433W	1-5.6		Shaft-Drum	R10169	2-2.2	3	Cable, Hand Throttle
2302435W	1-5.6		Coupler-Freespool	R10188	3-1.8	1	Battery
2302596W	1-5.6	10	Coupler-Freespool	R10203	2-6.1	5	Radiator
2303166W	1-5.9		Winch Control Valve	R10203	2-6.5		Radiator
233693W	1-5.8	21	Fitting	R10243	2-5.4	3	Clamp
233693W	1-5.9	14	Plug	R10243	2-5.4	3	Clamp, Band
239688W	1-5.6	16	Capscrew	R10243	2-5.5	3	Clamp

Part No.	Page.	Item	Description	Part No.	Page.	Item	Description
R102745	4-1.3	40	Washer	R11153	4-1.31	4	Handle, Knob
R102745	4-1.15	19	Washer	R11155	4-1.40	11	Switch, Press
R102745	4-1.17	40	Washer	R11166	2-6.3	3	Bottle
R102745	4-1.29	19	Washer	R11166	2-6.4	3	Bottle
R102745	4-1.37	34	Washer	R11172	8-3.1	16	Symbol, Washer
R10295	2-1.1	26	Fan, Blower	R11173	8-3.1	14	Symbol, Wiper
R1034034	9-1.3	53	Button, Plug	R11174	8-2.1	34	Symbol, Light
R1034034	9-1.5	51	Button, Plug	R11175	8-3.11	17	Symbol, Light
R1034034	9-1.7	51	Button, Plug	R11175	8-2.1		Symbol, Light
R1034034	9-1.9	51	Button, Plug	R11177	8-2.1	32	Symbol,light
R10396	2-5.2		Air Cleaner Assembly	R11179	8-2.1	27	Cover,blank
R10396	2-5.1	1	Air Cleaner	R11184	3-1.4	62	Deutsch Plug
R10410233	9-3.6	20	Knob	R11184	3-1.5		Deutsch Plug
R10422	2-5.1	11	Bellows	R11184	3-1.6	11A	Deutsch Plug
R10544	8-1.7	3	Door Assembly - LH	R11184	3-1.7	11A	Deutsch Plug
R10544	8-1.9		Door Assembly - LH	R11218	8-3.8		Seat Assembly
R10547	8-2.1	22	Alarm, Buzzer	R11218	8-3.9		Seat Assembly
R10569	8-3.3	45	Drier, Receiver	R11225	8-3.8	3	Lumbar Kit
R10571	8-3.3	61	Fitting	R11236	8-3.9	12	Swing Arm Kit
R10572	8-3.3	60	Fitting	R11243	8-3.9	15	Weight Adjustment Kit
R10581	3-1.6	12	Stud, Battery Feeder	R11244	8-3.9	16	Crank
R10581	3-1.7	12	Stud, Battery Feeder	R11248	3-1.4	63	Deutsch Plug
R10596	4-1.1	4	Transmission Mount, LH Rear	R11248	3-1.5		Deutsch Plug
R10598	1-4.1	1	100 Hi-Vis Grapple	R11248	3-1.6	11B	Deutsch Plug
R10599	1-4.1		104 Hi-Vis Grapple	R11248	3-1.7	11B	Deutsch Plug
R10603	8-3.3	26	Bracket, Compressor Mtg	R11279	8-3.6	7	Plate
R10605	2-5.1	2	Band	R11321	2-1.1	31	Suction Fan Option
R10622	5-2.2	8	Bar	R11377	4-1.30	20	Transmission Shifter
R10633	4-1.30	17	Plate	R11377	4-1.31	2	Shift Controller
R10636	4-1.30	16	Cable Mount	R11401	5-1.3	39	Fitting
R106547	4-1.11	8	Washer	R11401	5-1.5	39	Fitting
R106547	4-1.25	8	Washer	R11435	4-1.30	3	Bracket, Shift
R10657	8-3.3	62	Switch, Press	R11436	4-1.30	4	Link, Shift
R10658	8-3.3	52	Hose Assembly	R11446	5-1.3	1	Hose Assembly
R10659	8-3.3	51	Hose Assembly	R11446	5-1.5	1	Hose Assembly
R10660	8-3.3	50	Hose Assembly	R11499	8-3.10	2	Nut
R10661	8-3.3	49	Hose Assembly	R11499	8-3.11	11	Nut
R10662	8-3.3	53	O-Ring	R11519	2-6.1	2	Radiator Cap
R10663	8-3.4	18	O-Ring	R11519	2-6.4	14	Cap
R10663	8-3.3	54	O-Ring	R11519	2-6.5	9	Cap
R10664	8-3.3	55	O-Ring	R11520	4-1.31	3	Gate Plate
R106656	2-3.1	9	Breather	R11521	4-1.31	5	Lever
R106656	4-3.1	10	Breather	R11522	4-1.31	6	Spring
R10671	8-3.3	57	Adapter	R11523	4-1.31	7	Disk
R10672	8-3.6	20	Hose	R11524	4-1.31	8	Ball
R10672	8-3.3	64	Hose	R11525	4-1.31	9	Screw
R10675	4-1.30	1	Cable, Shift	R11526	4-1.31	11	Strap
R10676	4-1.30	7	Rod End	R11527	4-1.31	12	Capscrew
R10680	4-1.33	32	Dipstick	R11527	4-1.31	18	Capscrew
R10680	4-1.35	32	Dipstick	R11528	4-1.31	13	Nut
R10696	3-1.1	27	Wire Harness	R11529	4-1.31	14	Swivel
R10696	3-1.3	17	Wire Harness	R11530	4-1.31	15	Washer
R10708	8-3.1	2	Arm, Wiper	R11531	4-1.31	16	Cotter Pin
R10709	8-3.1	3	Blade, Wiper	R11532	4-1.31	17	Washer
R10741	2-2.2	4	Clip	R11533	4-1.31	19	Nut
R10776	8-3.3	43	Belt	R11534	4-1.31	20	Bracket
R10780	5-2.2	2	Spring	R11535	4-1.31	21	Clevis Pin
R10819	8-3.12	4	Mirror	R11549	3-1.8	45	Guard
R11025	4-1.37	90	Ring Gear	R11554	3-1.8	46	Screw
R11026	4-1.33	34	Fitting	R11628	4-2.4	7	Grease Fitting
R11060	8-3.3	59	Plate	R11651	2-6.3	2	Bracket
R11131	4-1.33	29	Fitting	R11651	2-6.4	2	Bracket
R11131	4-1.35	29	Fitting	R11670	8-3.1	9	Wire Assembly
R11131	4-1.40	29	Fitting	R11671	8-3.1	12	Decal
R11137	4-1.33	31	Tube, Dipstick	R11679	2-2.2		Hand Throttle
R11137	4-1.35	31	Tube, Dipstick	R11689	9-5.1	6	Element
R11140	8-3.3	8	Wire Harness	R11716	8-3.5	1	Casing
R11150	2-1.1	33	Fan Spacer	R11717	8-3.5	2	Cover
R11152	4-1.40	10	Switch, Press	R11718	8-3.5	3	Side Cover

Part No.	Page.	Item	Description	Part No.	Page.	Item	Description
R11719	8-3.5	4	Condenser Coil	R12000059	2-6.4	4	Hose
R11721	8-3.5	6	Fan	R12000059	2-6.4	8	Hose
R11722	8-3.5	7	Motor Mount	R12000059	2-6.5	15	Tube
R11724	8-3.5	9	Venturi Assembly	R12000082	4-2.2	5	Retainer
R11726	8-3.5	11	Grommet	R12000278	4-1.33	14	Fitting
R11754	4-1.40	22	Relay	R12000374	4-2.5	5	Retainer
R11760	9-1.1	2	Fitting	R12001401	9-2.3	4	Shaft Seal
R11760	9-3.1	9	Fitting	R12002476	9-1.5	68	Fitting
R11760	4-1.33	13	Fitting	R12002476	9-1.7	68	Fitting
R11760	4-1.35	13	Fitting	R12002476	9-1.9	68	Fitting
R11840	2-6.1	3	Hose	R12002476	9-3.1	8	Fitting
R11862	9-5.1		Hydraulic Return Filter	R12002476	1-4.5	15	Fitting
R11862	9-1.16	12	Return Filter	R12002476	9-1.15	14	Fitting
R11872	9-1.12	5	Hydraulic Oil Cooler	R12002971	9-4.2	8	Ring
R11872	9-1.13	5	Hydraulic Oil Cooler	R12003904	4-1.21	15	Gear
R11992854	4-1.5	1	Ring	R12033	4-1.33	44	Hose Assembly
R11992854	4-1.6	1	Ring	R12033	4-1.35	44	Hose Assembly
R11992856	4-1.3	30	Gasket	R12033	4-1.40	6	Hose Assembly
R11992856	4-1.4	19	Gasket	R12034	2-3.1	10	Hose Assembly
R11992856	4-1.17	30	Gasket	R12034	4-3.1	11	Hose Assembly
R11992856	4-1.18	20	Gasket	R12035	4-3.1	8	Hose Assembly
R11992857	4-1.3	23	Sleeve	R12036	2-3.1	1	Hose Assembly
R11992857	4-1.3	24	Sleeve	R12037	2-3.1	7	Hose Assembly
R11992857	4-1.3	25	Sleeve	R12038	2-4.1	17	Hose Assembly
R11992857	4-1.4	2	Sleeve	R12041	9-1.3	50	Hose Assembly
R11992857	4-1.4	10	Sleeve	R12041	9-1.5	31	Hose Assembly
R11992857	4-1.17	23	Sleeve	R12041	9-1.7	31	Hose Assembly
R11992857	4-1.17	24	Sleeve	R12041	9-1.9	31	Hose Assembly
R11992857	4-1.17	25	Sleeve	R12042	9-1.3	51	Hose Assembly
R11992857	4-1.18	2	Sleeve	R12042	9-1.5	32	Hose Assembly
R11992857	4-1.18	13	Sleeve	R12042	9-1.7	32	Hose Assembly
R11992861	4-1.6	3	Bearing	R12042	9-1.9	32	Hose Assembly
R11992874	4-1.7	26	Ring	R12047	9-1.3	49	Hose Assembly
R11992874	4-1.7	29	Ring	R12047	9-1.5	30	Hose Assembly
R11992878	4-1.6	4	Ring	R12048	9-1.3	13	Hose Assembly
R11992878	4-1.20	6	Ring	R12048	9-1.5	36	Hose Assembly
R11992879	4-1.4	18	Screen Assembly	R12048	9-1.7	36	Hose Assembly
R11992879	4-1.18	21	Screen Assembly	R12048	9-1.9	36	Hose Assembly
R11992881	4-1.3	1	Seal	R12049	9-1.5	38	Hose Assembly
R11992881	4-1.17	1	Seal	R12049	9-1.7	38	Hose Assembly
R11992882	4-1.37	73	O-Ring	R12049	9-1.9	38	Hose Assembly
R11992915	4-1.5	27	Ring	R12052	9-1.3	23	Hose Assembly
R11992915	4-1.5	30	Snap Ring	R12057	9-1.5	66	Hose Assembly
R11992915	4-1.5	35	Spring Retainer Snap Ring	R12057	9-1.7	66	Hose Assembly
R11992915	4-1.6	11	Ring	R12057	9-1.9	66	Hose Assembly
R11992915	4-1.6	12	Ring	R12058	4-3.14	6	Hose Assembly
R11992915	4-1.6	18	Ring	R12059	4-3.14	5	Hose Assembly
R11992915	4-1.6	19	Ring	R12060	4-3.14	7	Hose Assembly
R11992915	4-1.7	23	Ring	R12061	4-3.14	8	Hose Assembly
R11992915	4-1.19	29	Ring	R12068	9-1.13	18	Hose Assembly
R11992915	4-1.19	32	Snap Ring	R12069	9-1.11	25	Hose Assembly
R11992915	4-1.19	37	Spring Retainer Snap Ring	R12070	9-1.11	26	Hose Assembly
R11992915	4-1.20	13	Ring	R12117	5-1.3	35	Hose Assembly
R11992915	4-1.20	14	Ring	R12117	5-1.5	35	Hose Assembly
R11992915	4-1.20	20	Ring	R12123	4-1.33	7	Hose Assembly
R11992915	4-1.20	23	Ring	R12123	4-1.35	7	Hose Assembly
R11992990	4-1.4	14	Plug	R12123	5-1.3	2	Hose Assembly
R11992990	4-1.7	17	Plug	R12123	5-1.5	2	Hose Assembly
R11992990	4-1.14	7	Plug	R12124	4-1.33	45	Hose Assembly
R11992990	4-1.18	9	Plug	R12124	4-1.35	45	Hose Assembly
R11992990	4-1.21	29	Plug	R12124	9-1.11	24	Hose Assembly
R11992990	4-1.28	7	Plug	R12124	4-1.40	7	Hose Assembly
R11993045	4-1.14	10	Spring	R12125	5-1.3	4	Hose Assembly
R11993045	4-1.28	10	Spring	R12125	5-1.5	4	Hose Assembly
R11993328	4-1.9	31	Nut	R12126	5-1.3	5	Hose Assembly
R11993329	4-1.9	30	Washer	R12126	5-1.5	5	Hose Assembly
R11993345	4-1.9	1	Oil Seal	R12130	9-1.3	22	Hose Assembly
R12000059	2-6.3	4	Hose	R12130	9-1.5	40	Hose Assembly
R12000059	2-6.3	8	Hose	R12130	9-1.7	40	Hose Assembly

Part No.	Page.	Item	Description	Part No.	Page.	Item	Description
R12130	9-1.9	40	Hose Assembly	R12580652	1-4.5	2	Arm Assembly
R12137	9-1.5	64	Hose Assembly	R12581247	1-4.5	34	Yoke
R12137	9-1.7	64	Hose Assembly	R12600000	9-3.8		Check Valve
R12137	9-1.9	64	Hose Assembly	R12600000	9-1.3	44	Valve, Check
R12138	5-1.5	59	Hose Assembly	R12600000	9-1.5	12	Valve, Check
R12227	4-1.33	46	Hose Assembly	R12600000	9-1.7	12	Valve, Check
R12227	4-1.35	46	Hose Assembly	R12600000	9-1.9	12	Valve, Check
R12227	4-1.40	8	Hose Assembly	R12600027	4-2.1	4	Driveline Assembly
R12228	9-1.15	39	Hose Assembly	R12600123	4-1.33	26	Tube
R12229	5-1.3	40	Hose Assembly	R12600123	4-1.35	26	Tube
R12229	5-1.5	40	Hose Assembly	R12600125	4-1.33	25	Hose
R12230	9-1.15	38	Hose Assembly	R12600125	4-1.35	25	Hose
R12231	9-1.15	40	Hose Assembly	R12604	9-1.12	10	Hose Assembly
R12232	9-1.11	40	Hose Assembly	R12605	9-1.12	23	Hose Assembly
R12305	9-1.3	30	Hose Assembly	R12607	9-1.13	10	Hose Assembly
R12307	4-1.33	8	Hose Assembly	R12607000	9-3.8	2	Check Valve
R12307	4-1.35	8	Hose Assembly	R12607001	4-1.37	56	Oil Baffle
R12310	9-1.3	25	Hose Assembly	R12607025	4-2.3	8	Tube Assembly
R12310	9-1.5	28	Hose Assembly	R12607050	6-2.1		Seal Kit
R12310	9-1.7	28	Hose Assembly	R12607050	6-2.2	*b	Seal Kit
R12310	9-1.9	28	Hose Assembly	R12607069	4-1.6	41	Gear
R12568623	4-2.2		Driveline - Transto Conv.	R12607069	4-1.19	48	Gear
R12568623	4-2.1	1	Driveline Assembly	R12607069	4-1.20	43	Gear
R12569730	1-1.2	14	Seal	R12607132	4-1.21	1	Shaft and Drum Assembly
R12569924	2-6.1	20	Rod	R12607135	4-1.9	32	Flange
R12569924	2-6.2	41	Rod	R12607137	2-5.2	5	Primary Filter Element
R12569925	2-6.1	24	Washer	R12607138	2-5.2	4	Safety Filter Element
R12569925	2-6.2	39	Washer	R12608	5-1.3	3	Hose Assembly
R12569926	2-6.1	18	Washer	R12608	5-1.5	3	Hose Assembly
R12569926	2-6.2	37	Washer	R12609	4-1.33	1	Hose Assembly
R12569926	6-1.1	9	Washer	R12609	4-1.35	1	Hose Assembly
R12569926	6-1.3	9	Washer	R12610	9-1.12	24	Hose Assembly
R12570783	1-4.2	36	Bar	R12611	9-1.1	28	Hose Assembly
R12571287	2-6.1	27	Foam Strip	R12612	9-1.1	37	Hose Assembly
R12572719	9-3.1	4	Fitting	R12968103	4-2.2	9	Spider Assembly
R12573856	1-4.2	13	Sprocket	R12968104	4-2.2	3	Yoke Assembly
R12574410	6-1.1	40	Rod End	R12968105	4-2.2	8	Propshaft
R12574410	6-1.3	40	Rod End	R12968106	4-2.2	6	Seal
R12574706	1-1.1	13	Pin Assembly	R12968393	4-2.2	1	Spider Assembly
R12574706	1-2.1	3	Pin	R12968393	4-2.5	1	Spider Assembly
R12574706	1-4.5	10	Pin Assembly	R12968397	4-2.2	2	Spider Assembly
R12574706	6-2.3	10	Pin	R12968397	4-2.3	1	U-Joint Assembly
R12574777	4-1.1	10	Transmission	R12968397	4-2.3	1	U-Joint Assembly
R12574779	4-1.1		Transmission	R12968397	4-2.4	1	U-Joint Assembly
R12574779	4-1.17		Transmission	R12968398	4-2.3	3	Yoke Assembly
R12575622	4-2.4		Driveline	R12969172	4-2.3		Sevice Kit
R12575622	4-2.1	5	Driveline Assembly	R12969462	6-2.1	4	Seal
R12575700	2-1.1	32	Suction Fan	R12969462	6-2.1	28	Seal
R12575959	9-1.3	4	Trim	R12969462	6-2.2	4	Seal
R12575959	9-1.5	4	Trim,Edge	R12969462	6-2.2	28	Seal
R12575959	9-1.7	4	Trim,Edge	R12969463	6-2.1	3	Seal
R12575959	9-1.9	4	Trim,Edge	R12969463	6-2.1	27	Seal
R12577237	4-2.2		Driveline - Rear Axle	R12969463	6-2.2	3	Seal
R12577237	4-2.1	6	Driveline Assembly	R12969463	6-2.2	27	Seal
R12577372	2-4.3	1	Strainer	R12969468	6-2.1	23	O-Ring
R12577372	2-4.1	1	Strainer	R12969468	6-2.2	23	O-Ring
R12577372	2-4.2	1	Strainer	R12969494	6-2.1	14	Seal
R12577380	9-4.2	4	Retainer Ring	R12969494	6-2.2	14	Seal
R12577380	9-4.3	3	Ring Retainer	R12969505	6-2.1	29	Port Relief
R12577642	2-4.1	63	Fitting	R12969505	6-2.2	29	Port Relief
R12577642	2-4.2	63	Fitting	R12969532	4-1.13	2	Snap Ring
R12577880	2-4.3	3	Sleeve,Cordura	R12969532	4-1.13	24	Snap Ring
R12577880	2-4.1	3	Sleeve, Cordura	R12969532	4-1.27	2	Snap Ring
R12577880	2-4.2	3	Sleeve, Cordura	R12969532	4-1.27	24	Snap Ring
R12578057	9-1.3	11	Fitting	R12969570	4-2.4		Sevice Kit
R12578057	9-1.5	22	Fitting	R12969581	6-2.1		Seal Kit
R12578057	9-1.7	22	Fitting	R12969581	6-2.2		Seal Kit
R12578057	9-1.9	22	Fitting	R12969637	6-2.1		Seal Kit
R12578253	6-1.4	3	Hose Assembly	R12969637	6-2.2		Seal Kit

Part No.	Page.	Item	Description	Part No.	Page.	Item	Description
R12973037	9-3.8	3	Seal Kit	R13038	8-1.3	38	Shim, Striker
R12973126	4-1.41	4	Seal Kit	R13038	8-1.7	38	Shim, Striker
R12973127	4-1.41	3	Cartridge	R13039	8-1.3	39	Foam
R12973129	4-1.41	5	Body	R13039	8-1.7	39	Foam
R12973189	4-2.4	3	Yoke Assembly	R13040	8-1.3	40	Lens, Front Light
R12973190	4-2.4	8	Propshaft	R13040	8-1.7	40	Lens, Front Light
R12973835	4-1.9	9	Bearing Cone	R13041	8-1.3	41	Bolt
R12973870	4-1.7	21	Kit, Retainer	R13041	8-1.5	17	Bolt
R12973876	4-1.9	6	Bearing Cone	R13041	8-1.7	41	Bolt
R12973878	4-1.8	3	Bearing	R13041	8-3.11	13	Machine Screw
R12974318	4-1.15	6	Gear	R13041	9-1.11	31	Machine Screw
R12974318	4-1.29	6	Gear	R13041	9-3.3	19	Machine Screw
R12974777	4-1.21	10	Spring Assembly	R13041	9-1.3	36	Capscrew
R13001	8-1.3	1	Cab Weldment	R13041	9-1.5	49	Machine Screw
R13001	8-1.7	1	Cab Weldment	R13041	9-1.7	49	Machine Screw
R13002	8-1.3	2	Door Assembly - RH	R13041	9-1.9	49	Machine Screw
R13002	8-1.5		Door Assembly - RH	R13042	8-1.3	42	Washer
R1300294	9-1.5	65	Fitting	R13042	8-1.7	42	Washer
R1300294	9-1.7	65	Fitting	R13043	8-1.3	43	Wire Harness Cover
R1300294	9-1.9	65	Fitting	R13043	8-1.7	43	Wire Harness Cover
R13003	8-1.3	3	Door Assembly - LH	R13044	8-1.3	44	Screw
R13003	8-1.5		Door Assembly - LH	R13044	8-1.7	44	Rivnut
R13004	8-1.3	4	Front Window Frame	R13045	8-1.3	45	Rivnut
R13005	8-1.3	5	Front Window	R13045	8-1.7	45	Screw
R13006	8-1.3	6	Front Side Window	R13046	8-1.3	46	Bolt
R1300690	1-1.2	10	Retaining Ring	R13046	8-1.7	46	Bolt
R13007	8-1.3	7	Frame, Front Side Window - LH	R13047	8-1.3	47	Rivnut
R13008	8-1.3	8	Rear Side Window	R13047	8-1.5	10	Rivnut
R13009	8-1.3	9	Weldment, Frame - LH	R13047	8-1.7	47	Rivnut
R13010	8-1.3	10	Rear Window	R13047	8-1.9	10	Rivnut
R13011	8-1.3	11	Frame, Rear Window	R13049	8-1.3	49	Bolt
R13012	8-1.3	12	Weldment, Frame - RH	R13049	8-1.7	49	Bolt
R13013	8-1.3	13	Frame, Front Side Window	R13050	8-1.3	50	Striker
R13013	8-1.7	13	Screen, Front Side - RH	R13050	8-1.7	50	Striker
R13015	8-1.3	15	Threshold - RH	R13052	8-1.3	52	Washer
R1301610	5-2.3	20	Pipe	R13052	8-1.7	52	Washer
R13017	8-1.3	17	Threshold - LH	R13053	8-1.3	53	Cover, Speaker
R13018	8-1.3	18	Air Filter	R13053	8-1.7	53	Cover, Speaker
R13019	8-1.3	19	Filter Door	R13054	8-1.3	54	Front Console Cover
R13019	8-1.7	19	Filter Door	R13054	8-1.7	54	Front Console Cover
R13021	8-1.3	21	Door Retaining Strap	R13055	8-1.3	55	Front Insulation
R13021	8-1.7	21	Door Retaining Strap	R13056	8-1.3	56	Seat Plate
R13023	8-1.3	23	Cover, Dash - LH	R13056	8-1.7	56	Seat Plate
R13023	8-1.7	23	Cover, Dash - LH	R13057	8-1.3	57	Bolt
R13024	8-1.3	24	Cover, Dash - RH	R13057	8-1.7	57	Bolt
R13024	8-1.7	24	Cover, Dash - RH	R13058	8-1.3	58	Cover, Floor
R13025	8-1.3	25	Bolt	R13058	8-1.7	58	Cover, Floor
R13025	8-1.7	25	Bolt	R13059	8-1.3	59	Cover, Floor
R13026	8-1.3	26	Washer	R13059	8-1.7	59	Cover, Floor
R13026	8-1.7	26	Washer	R13060	8-1.3	60	Floor Mat
R13027	8-1.3	27	Washer	R13060	8-1.7	60	Floor Mat
R13027	8-1.7	27	Washer	R13061	8-1.3	61	Panel, Side Console
R13028	8-1.3	28	Operators Manual Holder	R13061	8-1.7	61	Panel, Side Console
R13028	8-1.7	28	Operators Manual Holder	R13062	8-1.3	62	Rear, Plate
R13029	8-1.3	29	Bolt	R13062	8-1.7	62	Rear, Plate
R13029	8-1.7	29	Bolt	R13063	8-1.3	63	Neophrane
R13030	8-1.3	30	Nut	R13063	8-1.7	63	Neophrane
R13030	8-1.7	30	Nut	R13064	8-1.3	64	Spray Adhesive
R13031	8-1.3	31	Grab Handle, Door	R13064	8-1.5	35	Spray Adhesive
R13031	8-1.7	31	Grab Handle, Door	R13064	8-1.7	64	Spray Adhesive
R1303281	4-1.23	5	Bearing Cup	R13065	8-1.3	65	Tape
R13033	8-1.3	33	Nut	R13066	8-1.3	66	Cover, Seat Suport
R13033	8-1.7	33	Nut	R13066	8-1.7	66	Cover, Seat Suport
R13034	8-1.3	34	Striker - LH	R13067	8-1.3	67	Cover, Lower Front
R13034	8-1.7	34	Striker Weldment - LH	R13067	8-1.7	67	Cover, Lower Front
R13035	8-1.3	35	Shim, Striker Plate	R13068	8-1.3	68	Washer Nozzle Kit
R13035	8-1.7	35	Shim, Striker Plate	R13068	8-1.7	68	Washer Nozzle Kit
R13037	8-1.3	37	Striker Bracket - RH	R13069	8-1.3	69	Grommet
R13037	8-1.7	37	Striker Bracket - RH	R13069	8-1.7	69	Grommet

Part No.	Page.	Item	Description	Part No.	Page.	Item	Description
R13070	8-1.3	70	Neoprene	R13108	8-1.9	9	Bolt
R13070	8-1.7	70	Neoprene	R13109	8-1.5	11	Spring
R13071	8-1.3	71	Neoprene	R13109	8-1.9	11	Spring
R13071	8-1.7	71	Neoprene	R13110	8-1.5	12	Door Bushing
R1307115	5-2.3	25	Grommet	R13110	8-1.9	12	Door Bushing
R1307115	5-2.3	22	Grommet	R13111	8-1.5	13	Washer
R13072	8-1.3	72	Strip	R13111	8-1.9	13	Washer
R13072	8-1.7	72	Strip	R13112	8-1.5	14	Nut
R13073	8-1.3	73	Strip	R13112	8-1.9	14	Nut
R13073	8-1.7	73	Strip	R13113	8-1.5	15	Latch
R13074	8-1.3	74	Decal	R13113	8-1.9	15	Latch
R13074	8-1.7	74	Decal	R13114	8-1.5	18	Stud
R13075	8-1.3	75	Serial NoTag	R13114	8-1.9	18	Stud
R13075	8-1.7	75	Serial NoTag	R13115	8-1.5	19	Clip
R13076	8-1.3	76	Pop Rivet	R13115	8-1.9	19	Clip
R13076	8-1.7	76	Pop Rivet	R13116	8-1.5	20	Spring
R13077	8-1.3	77	Plug	R13116	8-1.9	20	Spring
R13077	8-1.7	77	Plug	R13117	8-1.5	21	Screw
R13078	8-1.3	78	Plug	R13117	8-1.9	21	Screw
R13078	8-1.7	78	Plug	R13118	8-1.5	22	Handle
R13079	8-1.3	79	Visor	R13118	8-1.9	22	Handle
R13079	8-1.7	79	Visor	R13119	8-1.5	23	Grip
R13080	8-1.3	80	Cover, Radio	R13119	8-1.9	23	Grip
R13080	8-1.7	80	Cover, Radio	R13120	8-1.5	24	Nut
R1308031	2-3.1	8	Fitting	R13120	8-1.9	24	Nut
R1308031	4-3.1	7	Fitting	R13121	8-1.5	25	Latch
R1308081	4-1.33	47	Fitting	R13121	8-1.9	25	Latch
R1308081	4-1.35	47	Fitting	R13122	8-1.5	26	Washer
R1308081	4-1.40	13	Fitting	R13122	8-1.9	26	Washer
R13081	8-1.3	81	Striker Guard	R13122	8-2.2	11	Washer
R13081	8-1.7	81	Striker Gaurd	R13123	8-1.5	27	Washer
R13082	8-1.3	82	Nut	R13123	8-1.9	27	Washer
R13082	8-1.5	28	Washer	R13124	8-1.5	29	Washer
R13082	8-1.7	82	Nut	R13124	8-1.9	29	Washer
R13082	8-1.9	28	Washer	R13125	8-1.5	1	Door - RH
R13083	8-1.3	83	Hinge	R13125	8-1.9	1	Door - RH
R13083	8-1.7	83	Hinge	R13126	8-1.5	2	Frame, Door Screen - RH
R13084	8-1.3	84	Screw	R13126	8-1.9	2	Frame, Door Screen - RH
R13084	8-1.7	84	Screw	R13127	8-1.5		Latch
R13085	8-1.5	16	Bolt	R13127	8-1.9		Latch
R13085	8-1.9	16	Bolt	R13128	8-1.5		Handle
R13088	8-1.3	88	Plug	R13128	8-1.9		Handle
R13088	8-1.7	88	Plug	R13129	8-1.5	3	Cover, Padded
R13089	8-1.3	89	Washer	R13129	8-1.9	3	Cover, Padded
R13089	8-1.7	89	Washer	R13130	8-1.5	30	Washer
R13090	8-1.3	90	Bolt	R13131	8-1.5	31	Insulation
R13090	8-1.7	90	Bolt	R1313117	5-2.2	4	Spacer
R13091	8-1.7	2	Door Assembly - RH	R1313117	6-1.1	15	Bearing
R13091	8-1.9		Door Assembly - RH	R1313117	6-1.3	15	Bearing
R13093	8-1.7	4	Front Window Frame	R13132	8-1.5	32	Sliding Window
R13094	8-1.7	5	Plug	R13133	8-1.5	33	Tape
R13095	8-1.7	7	Screen, Front Side - LH	R13134	8-1.5	34	Urethane
R13096	8-1.7	9	Screen, Rear Side - LH	R13139	8-1.3	20	Bolt
R13097	8-1.7	11	Screen, Rear	R13139	8-1.7	20	Bolt
R13098	8-1.7	12	Screen, Rear Side - RH	R13140	8-1.3	32	Bolt
R1309991	9-1.14	4	Fitting	R13140	8-1.7	32	Bolt
R13101	8-1.5		Weldment, Door - LH	R13143	8-1.3	93	Spacer Block
R13101	8-1.9		Weldment, Door - LH	R13143	8-1.7	93	Spacer Block
R13102	8-1.5		Frame, Door Screen - LH	R13144	8-1.3	92	Cover, Valve Console
R13102	8-1.9		Frame, Door Screen - LH	R13144	8-1.7	92	Cover, Valve Console
R13104	8-1.5	4	Cable	R13145	8-1.3	91	Nut
R13104	8-1.9	4	Cable	R13145	8-1.7	91	Nut
R13105	8-1.5	5	Bolt	R13148	8-1.3	94	Seal
R13105	8-1.9	5	Bolt	R13148	8-1.7	94	Seal
R13106	8-1.5	6	Seal	R13149	8-1.3	95	Insulation
R13106	8-1.9	6	Seal	R13150	8-1.3	14	Headliner
R13107	8-1.5	7	Screw	R1317062	2-4.1	67	Hose, Fuel
R13107	8-1.9	7	Screw	R1318083	1-4.2	11	Bearing Cup
R13108	8-1.5	9	Bolt	R1318084	1-4.2	12	Bearing Cone



Part No.	Page.	Item	Description	Part No.	Page.	Item	Description
R1319807	9-1.7	63	Fitting	R13719	6-1.1	20	Cable
R1319807	9-1.9	63	Fitting	R13719	6-1.3	20	Cable
R1320757	6-1.4	4	Hose Assembly	R13724	7-1.1	44	Cover
R1325693	5-2.2	5	Bolt	R13727	7-1.1	41	Trim
R13311	8-1.5		Window Lock	R13727	7-1.3	41	Trim
R13430	9-1.12	15	Valve, Check	R13728	5-1.3	6	Plate
R13442	4-4.1	2	Rim	R13728	5-1.5	6	Plate
R13454	9-1.12	12	Fitting	R13730	7-1.1	7	Hardnose
R13462	4-1.37		Kit, Ring Gear	R13730	7-1.3	7	Hardnose
R13466	4-1.33	49	Fitting	R13736	6-1.1	14	Cam
R13466	4-1.35	49	Fitting	R13736	6-1.3	14	Cam
R13466	9-1.11	20	Fitting	R13739	6-1.1	13	Bracket
R13466	4-1.40	15	Fitting	R13744	3-1.6	28	Instrument Panel
R13467	4-4.1	4	Wheel Nut	R13744	3-1.7	28	Instrument Panel
R13469	8-3.3	35	Sleeve	R13744	8-2.2		Instrument Panel Assembly
R13485	9-1.3	26	Hose Assembly	R13744	8-2.1	28	Instrument Panel Assembly
R13485	9-1.5	29	Hose Assembly	R13746	8-2.2	6	Light Strip
R13485	9-1.7	29	Hose Assembly	R13747	8-2.2	1	Panel
R13485	9-1.9	29	Hose Assembly	R13749	8-2.2	4	Gauge, Converter Temp
R13507	4-1.30	19	Link	R13752	8-2.2	12	Wire Harness
R13514	9-1.5	61	Hose Assembly	R13755	8-2.1	23	Frame
R13514	9-1.7	61	Hose Assembly	R13766	7-1.1	8	Hood
R13514	9-1.9	61	Hose Assembly	R13767	8-2.2	7	Screw
R13516	4-1.4	35	Capscrew	R13768	8-2.2	9	Light Assembly
R13516	4-1.18	35	Capscrew	R13769	8-2.2		Bulb and Socket
R13531	5-1.3	20	Wear Sleeve	R13772	7-1.1	45	Plate
R13531	5-1.5	20	Wear Sleeve	R13773	7-1.1	11	Panel
R13576	5-1.3	8	Brake Valve	R13773	7-1.3	11	Panel
R13576	5-1.5	8	Brake Valve	R13779	8-3.1	8	Wire Harness
R13576	5-2.1		Brake Valve	R13780	8-2.1	26	Wire Assy
R13597	9-1.5	54	Fitting	R13780	8-3.1	17	Wire Assembly
R13597	9-1.7	54	Fitting	R13783	8-3.1	13	Switch, Wiper
R13597	9-1.9	54	Fitting	R13791	9-5.1	4	Differential Pressure Device
R13601	8-1.1	1	Iso-Mount	R13792	8-3.10	5	Dome Light
R13640	7-1.1	2	Cowl	R13794	5-2.3	26	Plate
R13646	5-1.3	31	Accumulator	R13795	5-2.3	30	Spacer
R13646	5-1.5	31	Accumulator	R13796	5-2.3	4	Switch
R13646	5-2.5		Accumulator	R13797	4-1.40	21	Wire Harness, Declutch
R13649	5-1.3	58	Pressure Switch	R13799	8-3.10	3	Wire Harness
R13649	5-1.5	58	Pressure Switch	R13800	8-2.1	33	Switch
R13652	3-1.4	103	Relay, Solenoid	R13800159	2-6.5	21	Capscrew
R13653	4-1.41		Declutch Solenoid Valve	R13800168	4-1.3	11	Screw
R13653	4-1.40	1	Valve	R13800168	4-1.3	18	Screw
R13654	3-1.6	14	Spacer	R13800168	4-1.17	11	Screw
R13654	3-1.7	14	Spacer	R13800168	4-1.17	18	Screw
R13656	2-7.1	2	Switch, 24V	R13800171	2-6.5	13	Capscrew
R13656	8-3.1	15	Switch, 24V	R13800173	2-6.5	7	Capscrew
R13658	8-3.3	44	Kit, A/C, Heater	R13800175	2-6.5	14	Capscrew
R13659	8-3.10	1	Light	R13800188	4-1.37	83	Capscrew
R13659	8-3.11	9	Light	R13800194	4-1.37	5	Screw
R13660	3-1.4	104	Relay, 24V	R13800200	9-1.3	43	Capscrew
R13660	3-1.7	26	Relay	R13800200	9-1.5	13	Capscrew
R13661	3-1.7	38	Relay	R13800200	9-1.7	13	Capscrew
R13661	8-3.3	39	Relay	R13800203	4-1.13	18	Screw
R13661	3-1.6	38	Relay	R13800203	4-1.27	18	Screw
R13663	3-1.7	65	Circuit Breaker	R13800215	4-1.37	32	Screw
R13663	3-1.4	99	Circuit Breaker	R13800220	4-1.3	33	Screw
R13664	3-1.7	66	Circuit Breaker	R13800220	4-1.17	33	Screw
R13664	3-1.4	22	Circuit Breaker	R13800222	4-1.3	27	Capscrew
R13667	2-1.1		Engine, 174 hp	R13800222	4-1.17	27	Capscrew
R13671	8-2.1	40	Switch, Ignition	R13800224	4-1.11	32	Capscrew
R13673	8-2.1	24	Switch	R13800224	4-1.25	32	Capscrew
R13674	8-2.1	58	Symbol, Diff Lock	R13800225	4-1.3	31	Screw
R13683	8-3.1	1	Motor & Drive	R13800225	4-1.17	31	Screw
R13684	8-3.1	4	Washer Bottle/Pump	R13800234	4-1.37	49	Capscrew
R13713	8-1.1	11	Cab, Enclosed	R13800253	4-1.9	17	Capscrew
R13713	8-1.3		Enclosed Cab	R13800253	4-1.23	17	Capscrew
R13718	5-1.3	32	Plate	R13800256	4-1.9	14	Capscrew
R13718	5-1.5	32	Plate	R13800256	4-1.23	14	Capscrew

Part No.	Page.	Item	Description	Part No.	Page.	Item	Description
R13800351	2-2.1	14	Pin	R13801339	1-4.1	2	Lube Fitting
R13800351	2-2.1	14	Pin	R13801339	4-2.3	7	Grease Fitting
R13800351	5-2.2	6	Pin	R13801339	1-1.1	2	Fitting, Lube
R13800351	4-1.30	9	Pin, Cotter	R13801339	1-2.1	4	Fitting, Lube
R13800351	6-1.1	34	Pin, Cotter	R13801339	1-2.1	7	Fitting, Lube
R13800351	6-1.3	34	Pin, Cotter	R13801339	7-1.4	1	Fitting, Lube
R13800353	5-2.3	15	Pin, Cotter	R13801340	4-2.2	7	Grease Fitting
R13800353	6-1.1	19	Pin	R13801340	4-2.5	7	Grease Fitting
R13800353	6-1.3	19	Pin	R13801342	4-1.19	4	Ball
R13800353	9-3.1	22	Cotter Pin	R13801342	4-1.20	4	Ring
R13800353	9-3.3	4	Cotter Pin	R13801349	4-1.13	8	Ball
R13800353	9-3.6	11	Pin, Cotter	R13801349	4-1.13	10	Ball
R13800364	1-1.1	25	Pin, Cotter	R13801349	4-1.27	8	Ball
R13800374	1-4.5	46	Pin	R13801349	4-1.27	10	Ball
R13800374	1-4.5	32	Pin, Cotter	R13801352	4-1.8	8	Ball
R13800449	4-1.18	45	Rivet	R13801352	4-1.21	22	Lockball
R13800449	4-1.18	48	Rivet	R13801352	4-1.22	5	Lock Ball
R13800451	4-1.4	38	Suction Tube Clip Rivet	R13801359	3-1.1	17	Clip
R13800713	4-1.15	7	Screw	R13801362	1-4.5	18	Fitting
R13800713	4-1.29	7	Screw	R13801364	9-1.12	20	Fitting
R13800798	4-1.15	1	Capscrew	R13801460	5-1.3	28	Fitting
R13800798	4-1.29	1	Capscrew	R13801460	5-1.5	28	Fitting
R13800826	8-3.12	3	Washer	R13801461	6-1.4	6	Fitting
R13800826	4-1.40	4	Washer	R13801461	9-3.1	17	Fitting
R13800826	8-3.1	11	Washer	R13801461	1-4.5	17	Fitting
R13800827	4-1.3	10	Washer	R13801461	4-1.33	30	Fitting
R13800827	4-1.3	17	Washer	R13801461	4-1.35	30	Fitting
R13800827	4-1.17	10	Washer	R13801462	9-1.13	50	Fitting
R13800827	4-1.17	17	Washer	R13801462	9-1.5	67	Fitting
R13800828	4-1.7	15	Lockwasher	R13801462	9-1.7	67	Fitting
R13800828	4-1.13	19	Washer	R13801462	9-1.9	67	Fitting
R13800828	4-1.13	44	Lockwasher	R13801464	9-1.1	30	Fitting
R13800828	4-1.21	27	Lockwasher	R13801478	4-1.4	21	Case Plug
R13800828	4-1.27	19	Washer	R13801533	4-3.1	20	Lube Fitting
R13800828	4-1.27	44	Lockwasher	R13801533	7-1.4	19	Fitting
R13800828	4-1.37	4	Lockwasher	R13801533	1-4.5	7	Fitting, Lube
R13800828	4-1.37	87	Lockwasher	R13801533	2-3.1	3	Fitting, Lube
R13800828	4-1.39	2	Lockwasher	R13801533	4-2.1	23	Fitting, Lube
R13800829	4-1.3	28	Lockwasher	R13801539	9-1.5	23	Fitting
R13800829	4-1.3	32	Lockwasher	R13801593	5-1.3	57	Fitting
R13800829	4-1.3	34	Lockwasher	R13801593	5-1.5	57	Fitting
R13800829	4-1.11	15	Lockwasher	R13801593	4-3.14	3	Fitting
R13800829	4-1.11	31	Lockwasher	R13801594	4-1.33	50	Fitting
R13800829	4-1.17	28	Lockwasher	R13801594	4-1.35	50	Fitting
R13800829	4-1.17	32	Lockwasher	R13801594	4-1.40	16	Fitting
R13800829	4-1.17	34	Lockwasher	R13801594	9-1.5	37	Fitting
R13800829	4-1.18	7	Lockwasher	R13801594	9-1.7	37	Fitting
R13800829	4-1.18	11	Lockwasher	R13801594	9-1.15	15	Fitting
R13800829	4-1.25	15	Lockwasher	R13801596	9-1.5	53	Fitting
R13800829	4-1.25	31	Lockwasher	R13801596	9-1.7	53	Fitting
R13800829	4-1.37	38	Lockwasher	R13801717	5-1.3	9	Fitting
R13800831	4-1.9	13	Lockwasher	R13801717	5-1.3	12	Fitting
R13800831	4-1.9	16	Washer	R13801717	5-1.5	9	Fitting
R13800831	4-1.23	13	Lockwasher	R13801717	5-1.5	12	Fitting
R13800831	4-1.23	16	Washer	R13801717	9-3.1	7	Fitting
R13800832	4-1.11	10	Washer	R13801720	9-1.12	26	Fitting
R13800832	4-1.25	10	Washer	R13801720	9-1.5	14	Fitting
R13800882	4-1.7	16	Capscrew	R13801720	9-1.12	16	Fitting
R13800882	4-1.21	28	Capscrew	R13801720	9-1.16	15	Fitting
R13800884	4-1.13	43	Capscrew	R13801760	1-1.1	10	Fitting
R13800884	4-1.27	43	Capscrew	R13801762	4-1.3	26	Plug
R13801	3-1.6	11	Wire Harness, Cab	R13801762	4-1.17	26	Plug
R13801	8-3.10	11	Wire Harness, Cab	R13801762	4-1.33	54	Plug
R13801012	4-1.37	48	Lockwasher	R13801762	4-1.35	54	Plug
R13801039	4-1.4	23	Clip	R13801763	4-1.37	3	Plug
R13801039	4-1.18	33	Clip	R13801765	4-1.3	5	Plug
R138011080	8-3.3	11	Capscrew	R13801765	4-1.17	5	Plug
R13801184	4-1.37	86	Nut	R13801765	4-1.33	55	Fitting
R13801291	9-1.5	26	Fitting	R13801765	4-1.35	55	Fitting

Part No.	Page.	Item	Description	Part No.	Page.	Item	Description
R13801765	4-1.37	2	Plug	R13802751	4-1.4	1	O-Ring
R13801813	9-1.3	82	Capscrew	R13802751	4-1.4	9	O-Ring
R13801813	9-1.5	82	Capscrew	R13802751	4-1.18	1	O-Ring
R13801813	9-1.7	82	Capscrew	R13802751	4-1.18	12	O-Ring
R13801813	9-1.9	82	Capscrew	R13802756	4-1.4	37	O-Ring
R13801813	5-2.3	23	Capscrew	R13802756	4-1.18	37	O-Ring
R13801824	6-1.1	43	Capscrew	R13802760	4-1.3	39	O-Ring
R13801831	4-1.4	7	Capscrew	R13802760	4-1.15	18	O-Ring
R13801831	4-1.11	16	Capscrew	R13802760	4-1.17	39	O-Ring
R13801831	4-1.18	8	Capscrew	R13802760	4-1.29	18	O-Ring
R13801831	4-1.25	16	Capscrew	R13802765	9-1.1	3	O-Ring
R13801842	1-2.1	5	Capscrew	R13802766	7-1.4	6	O-Ring
R13801842	1-4.1	3	Capscrew	R13802766	7-1.5	6	O-Ring
R13801842	9-1.1	6	Capscrew	R13802783	4-1.9	4	O-Ring
R13801842	1-1.1	9	Capscrew	R13802783	4-1.23	4	O-Ring
R13801842	1-4.5	13	Capscrew	R13802786	4-1.9	11	O-Ring
R13801842	6-2.3	3	Capscrew	R13802786	4-1.23	11	O-Ring
R13801857	1-4.5	22	Capscrew	R13802795	7-1.4	11	O-Ring
R13801869	7-1.1	4	Capscrew	R13802795	7-1.5	11	O-Ring
R13801970	5-1.3	48	Fitting	R13802815	4-1.9	29	O-Ring
R13801970	5-1.5	48	Fitting	R13802818	4-1.23	29	O-Ring
R13801970	9-1.5	11	Fitting	R13802877	4-1.4	8	Lockwasher
R13801970	9-1.7	11	Fitting	R13802877	4-1.4	12	Lockwasher
R13801972	5-1.3	10	Fitting	R13802914	2-5.4	8	Washer
R13801972	5-1.5	10	Fitting	R13802914	8-3.3	69	Washer
R13801972	9-1.5	63	Fitting	R13802914	2-7.1	8	Washer
R13801975	9-3.1	5	Fitting	R13802914	3-1.8	5	Washer
R13801975	4-1.33	20	Fitting	R13802920	4-3.1	4	Washer
R13801975	4-1.35	20	Fitting	R13803034	3-1.1	18	Clip
R13802	7-1.1	13	Sweep, LH	R13803034	3-1.3	10	Clip
R13802	7-1.3	13	Sweep, LH	R13803035	2-6.3	9	Clip
R13802020	4-2.2	2	Capscrew	R13803035	2-6.4	9	Clip
R13802020	4-2.2	3	Capscrew	R13803035	3-1.1	10	Clip
R13802020	4-2.2	10	Capscrew	R13803039	3-1.1	19	Clip
R13802020	4-2.3	2	Capscrew	R13803039	4-2.1	22	Clip
R13802020	4-2.4	2	Capscrew	R13803040	4-3.1	9	Clip
R13802020	4-2.5	2	Capscrew	R13803040	3-1.3	14	Clip
R13802178	9-1.5	15	Fitting	R13803040	9-1.13	13	Clip
R13802178	9-1.12	9	Fitting	R13803042	2-3.1	11	Clip
R13802219	8-3.6	17	Fitting	R13803042	3-1.3	11	Clip
R13802239	9-1.1	4	Clamp	R13803042	3-1.8	11	Clip
R13802310	4-1.33	48	Fitting	R13803042	4-3.1	18	Clip
R13802310	4-1.35	48	Fitting	R13803044	2-6.2	26	Clip
R13802310	5-1.3	33	Fitting	R13803044	9-1.12	19	Clip
R13802310	5-1.5	33	Fitting	R13803047	3-1.1	24	Clip
R13802310	4-1.40	14	Fitting	R13803047	6-1.4	12	Clip
R13802318	4-1.21	24	Capscrew	R13803047	9-1.11	43	Clip
R13802338	4-4.1	3	Cap	R13803047	3-1.8	24	Clip
R13802341	2-2.3	5	Mach Screw	R13803051	3-1.1	23	Clip
R13802576	9-1.1	5	Washer	R13803059	3-1.3	25	Clip
R13802576	9-1.1	42	Washer	R13803059	3-1.8	11	Clip
R13802604	4-1.11	39	Plug	R13803060	2-2.1	17	Clamp
R13802604	4-1.25	39	Plug	R13803060	2-2.1	17	Clamp
R13802619	3-1.6	13	Washer	R13803088	3-1.6	15	Clamp
R13802628	9-1.11	16	Washer	R13803211	4-3.14	2	Plug
R13802628	9-1.3	8	Washer	R13803255	4-1.4	16	Oil Level Plug
R13802628	9-1.5	2	Washer	R13803255	4-1.4	17	Oil Level Plug
R13802628	9-1.7	2	Washer	R13803255	4-1.18	16	Oil Level Plug
R13802628	9-1.9	2	Washer	R13803255	4-1.18	17	Oil Level Plug
R13802702	4-1.3	7	O-Ring	R13803257	9-1.16	6	Plug
R13802702	4-1.17	7	O-Ring	R13803305	8-3.3	10	Clamp, Hose
R13802704	4-1.7	18	O-Ring	R13803305	8-3.6	6	Clamp
R13802704	4-1.21	30	O-Ring	R13803313	8-3.6	11	Clamp, Hose
R13802706	4-1.13	28	O-Ring	R13803337	6-2.1	26	Capscrew
R13802706	4-1.27	28	O-Ring	R13803337	6-2.2	26	Capscrew
R13802707	4-1.13	35	O-Ring	R13803338	6-2.1	25	Capscrew
R13802707	4-1.27	35	O-Ring	R13803338	6-2.2	25	Capscrew
R13802709	4-1.9	12	O-Ring	R13803348	2-6.1	4	Clamp
R13802709	4-1.23	12	O-Ring	R13803349	2-6.2	7	Clamp

Part No.	Page.	Item	Description	Part No.	Page.	Item	Description
R13803349	2-6.1	11	Clamp, Hose	R13804268	4-1.28	2	O-Ring
R13803393	9-1.3	24	Fitting	R13804268	4-1.28	11	O-Ring
R13803393	9-1.5	25	Fitting	R13804271	1-5.8	20	O-Ring
R13803393	9-1.7	25	Fitting	R13804282	2-4.1	69	Fitting
R13803393	9-1.9	25	Fitting	R13804503	2-6.2	6	Hose
R13803421	4-1.11	34	Plug	R13804503	2-6.1	23	Hose
R13803421	4-1.11	41	Plug	R13804605	1-4.2	14	Key
R13803421	4-1.25	34	Plug	R13804703	1-4.2	29	Capscrew
R13803421	4-1.25	41	Plug	R13804881	2-4.1	6	Fitting
R13803423	4-1.14	12	Plug	R13804881	2-4.2	6	Fitting
R13803423	4-1.28	12	Plug	R13805003	4-1.33	51	Clip
R13803444	5-2.3	29	Nut	R13805003	4-1.35	51	Clip
R13803444	8-2.1	20	Nut	R13805003	9-1.1	22	Clip
R13803445	8-2.2	8	Nut	R13805003	9-1.1	29	Clip
R13803587	4-3.1	3	Nut	R13805118	4-1.40	20	Nut
R13803623	4-1.38	3	O-Ring	R13805118	8-3.10	7	Nut
R13803625	6-2.1	6	Seal	R13805196	6-1.1	42	Nut
R13803625	6-2.1	9	O-Ring	R13805196	6-1.3	42	Nut
R13803625	6-2.2	6	Seal	R13805257	7-1.4	15	Capscrew
R13803625	6-2.2	9	O-Ring	R13805257	7-1.5	15	Capscrew
R13803636	4-1.38	12	O-Ring	R13805282	9-4.2	11	O-Ring
R13803638	4-1.11	13	O-Ring	R13805321	9-4.2	7	O-Ring
R13803638	4-1.25	13	O-Ring	R13805587	8-3.10	6	Machine Screw
R13803639	4-1.37	33	O-Ring	R13805940	8-3.3	28	Clamp
R13803657	4-1.37	29	O-Ring	R13805980	8-3.3	14	Capscrew
R13803660	4-1.11	1	O-Ring	R13805980	8-3.6	8	Capscrew
R13803660	4-1.25	1	O-Ring	R13806	7-1.1	12	Sweep, RH
R13803662	4-1.37	60	O-Ring	R13806	7-1.3	12	Sweep, RH
R13803670	4-1.11	3	O-Ring	R13806221	2-5.5	12	Nut, Weld
R13803670	4-1.11	17	O-Ring	R13806249	5-1.3	7	Capscrew
R13803670	4-1.25	3	O-Ring	R13806249	5-1.5	7	Capscrew
R13803670	4-1.25	17	O-Ring	R13806254	9-3.1	3	Capscrew
R13803671	4-1.37	55	O-Ring	R13806254	9-3.6	3	Capscrew
R13803675	4-1.11	37	Nut	R13806273	7-1.1	46	Capscrew
R13803675	4-1.25	37	Nut	R13806273	9-1.16	13	Capscrew
R13803844	2-4.3	11	Draincock	R13806334	1-5.1	12	Capscrew
R13803844	2-4.1	11	Draincock	R13806334	4-2.1	2	Capscrew
R13803844	2-4.2	11	Draincock	R13806334	4-2.1	31	Capscrew
R13803888	4-1.13	47	Capscrew	R13806346	4-2.3	2	Capscrew
R13803888	4-1.27	47	Capscrew	R13806346	4-2.3	9	Capscrew
R13803889	7-1.4	10	Capscrew	R13806346	4-2.4	2	Capscrew
R13803889	7-1.5	10	Capscrew	R13806526	9-3.3	12	Capscrew
R13803897	2-5.5	11	Capscrew	R13806770	9-3.1	12	Nut
R13803897	7-1.4	13	Capscrew	R13806770	9-3.3	8	Nut
R13803897	7-1.5	13	Capscrew	R13806800	4-1.4	13	Nut
R13804001	4-1.11	46	O-Ring	R13806800	4-1.18	10	Nut
R13804001	4-1.25	46	O-Ring	R13806803	4-1.11	9	Nut
R13804003	4-1.11	51	O-Ring	R13806803	4-1.25	9	Nut
R13804003	4-1.25	51	O-Ring	R13806822	2-2.1	13	Nut
R13804005	4-1.11	24	O-Ring	R13806822	2-2.1	13	Nut
R13804005	4-1.11	25	O-Ring	R13806823	9-1.13	52	Nut
R13804005	4-1.25	24	O-Ring	R13806826	7-1.1	3	Capscrew
R13804005	4-1.25	25	O-Ring	R13806826	7-1.3	4	Capscrew
R13804059	4-1.11	52	O-Ring	R13806845	6-1.1	39	Nut
R13804059	4-1.25	52	O-Ring	R13806845	6-1.3	39	Nut
R13804101	4-1.33	18	Fitting	R13806869	9-1.11	46	Washer
R13804101	4-1.35	18	Fitting	R13806871	8-3.3	34	Washer
R13804104	4-1.33	33	Elbow	R13806937	6-2.1		O-Ring
R13804104	4-1.35	33	Elbow	R13806937	6-2.1		O-Ring
R13804104	4-1.40	30	Fitting	R13806937	6-2.2		O-Ring
R13804124	2-6.2	21	Nut	R13806937	6-2.2		O-Ring
R13804124	2-6.6	6	Nut	R13806978	2-6.5	6	Washer
R13804233	9-1.12	22	Fitting	R13806980	2-4.3	19	Washer
R13804237	6-2.3	11	Fitting	R13806980	2-6.2	20	Washer
R13804237	9-1.14	11	Fitting	R13806980	2-6.2	29	Washer
R13804268	4-1.13	12	O-Ring	R13806980	2-6.6	5	Washer
R13804268	4-1.14	2	O-Ring	R13806980	4-1.33	53	Washer
R13804268	4-1.14	11	O-Ring	R13806980	4-1.35	53	Washer
R13804268	4-1.27	12	O-Ring	R13806980	6-1.1	25	Washer

Part No.	Page.	Item	Description	Part No.	Page.	Item	Description
R13806980	6-1.3	25	Washer	R13809458	4-1.40	23	Machine Screw
R13806980	2-4.1	19	Washer	R13809553	2-2.1	10	Nut
R13806980	2-4.2	19	Washer	R13809553	2-2.1	10	Nut
R13806980	9-1.12	14	Washer	R13809556	6-3.1	3	Nut
R13806996	4-1.37	31	Lockwasher	R13809556	2-6.1	25	Nut
R13806996	6-1.4	10	Washer	R13809556	2-6.2	40	Nut
R13806996	9-1.1	43	Washer	R13809564	6-1.1	21	Nut
R13807171	5-2.3	27	Machine Screw	R13809564	6-1.3	21	Nut
R13807383	5-1.3	30	Fitting	R13809566	4-1.37	37	Nut
R13807383	5-1.5	30	Fitting	R13809573	5-2.3	31	Washer
R13807383	9-1.16	7	Fitting	R13809573	8-2.1	21	Washer
R13807392	2-4.3	12	Fitting	R13809575	9-1.3	39	Washer
R13807392	2-4.1	12	Fitting	R13809575	9-1.9	44	Washer
R13807392	2-4.2	12	Fitting	R13809589	4-1.37	82	Lockwasher
R13807439	2-6.2	23	Nut	R13809742	7-1.1	20	Pin, Spring
R13807439	3-1.4	4	Nut	R13809742	7-1.3	20	Pin, Spring
R13807439	4-3.14	23	Nut	R13809742	9-1.16	20	Pin, Spring
R13807439	3-1.6	10	Nut	R13809918	2-2.1	15	Clevis Pin
R13807441	6-1.4	11	Nut	R13809918	2-2.1	15	Clevis Pin
R13807441	9-1.1		Nut	R13809919	5-2.2	7	Pin
R13807441	2-4.1	20	Nut	R13809919	6-1.1	18	Pin
R13807441	2-4.2	20	Nut	R13809919	6-1.3	18	Pin
R13807441	8-3.10	4	Nut	R13809920	5-2.3	16	Pin, Clevis
R13807441	9-1.3	19	Nut	R13809929	4-1.33	19	Clamp, T-Bolt
R13807441	9-1.5	20	Nut	R13809929	4-1.35	19	Clamp, T-Bolt
R13807441	9-1.7	20	Nut	R13809929	5-1.3	42	Clamp, T-bolt
R13807441	9-1.12	8	Nut	R13809929	5-1.5	42	Clamp
R13807441	9-1.13	8	Nut	R13809935	4-1.33	24	Clamp, T-Bolt
R13807498	9-1.1	46	Fitting	R13809935	4-1.35	24	Clamp, T-Bolt
R13807498	9-1.16	16	Fitting	R13809945	2-5.1	16	Clamp
R13807499	9-1.16	14	Fitting	R13809947	2-5.1	9	Clamp
R13807507	9-3.6	15	Fitting	R13809949	2-5.1	8	Clamp
R13807508	5-1.3	38	Fitting	R13809969	9-1.1	10	Clamp
R13807508	5-1.5	38	Fitting	R13810028	2-4.3	4	Clamp
R13807511	9-1.1	47	Fitting	R13810028	3-1.1	15	Clamp
R13807511	4-1.33	27	Fitting	R13810028	3-1.3	15	Clamp
R13807511	4-1.35	27	Fitting	R13810028	5-1.3	14	Clamp
R13807532	5-1.3	11	Fitting	R13810028	5-1.5	14	Clamp
R13807532	5-1.3	46	Fitting	R13810028	2-4.1	4	Clamp
R13807532	5-1.5	11	Fitting	R13810028	2-4.2	4	Clamp
R13807532	5-1.5	46	Fitting	R13810028	3-1.8	15	Clamp
R13807532	9-1.14	9	Fitting	R13810030	9-1.3	20	Clamp
R13807532	9-1.3	46	Fitting	R13810033	6-1.4	14	Clamp
R13807532	9-1.5	16	Fitting	R13810033	9-1.13	16	Clamp
R13807532	9-1.7	16	Fitting	R13810519	6-1.1	17	Rod End
R13807532	9-1.9	16	Fitting	R13810519	6-1.3	17	Rod End
R13807534	9-1.13	17	Fitting	R13810529	4-1.37	6	Plug
R13807547	4-1.13	11	Plug	R13810532	9-1.16	18	Plug
R13807547	4-1.27	11	Plug	R13810545	4-1.11	11	Plug
R13807642	2-4.2	28	Clamp	R13810545	4-1.25	11	Plug
R13807642	2-4.3	28	Clamp	R13810814	4-1.30	15	Capscrew
R13807642	8-3.10	61	Clip	R13810814	8-3.1	5	Capscrew
R13807642	8-3.11	2	Clip	R13810858	9-1.11	48	Capscrew
R13807642	3-1.3	27	Clip	R13810858	7-1.1	37	Capscrew
R13807736	4-1.31	1	Capscrew	R13810858	7-1.3	37	Capscrew
R13807781	9-1.3	9	Capscrew	R13810860	5-1.3	17	Capscrew
R13807781	9-1.5	3	Capscrew	R13810860	5-1.5	17	Capscrew
R13807781	9-1.7	3	Capscrew	R13810860	9-1.11	44	Capscrew
R13807897	3-1.4	7	Capscrew	R13810860	1-1.1	26	Capscrew
R13808099	8-3.3	30	Clip	R13810900	4-2.1	3	Capscrew
R13808101	9-1.13	35	Clamp	R13810989	2-2.2	5	Capscrew
R13808101	3-1.1	14	Clip	R13810990	3-1.4	3	Capscrew
R13808101	9-1.12	11	Clip	R13810991	2-6.1	8	Bolt
R13808431	2-5.1	15	Clamp	R13810991	2-6.2	22	Capscrew
R13808484	2-4.3	49	Capscrew	R13810991	8-3.12	2	Capscrew
R13809364	2-2.1	20	Capscrew	R13810991	3-1.6	16	Capscrew
R13809375	8-2.1	19	Mach Screw	R13810991	2-6.1	22	Capscrew
R13809383	2-1.1	12	Capscrew	R13810992	2-2.1	7	Capscrew
R13809446	8-3.3	70	Capscrew	R13810992	2-2.3	9	Capscrew

Part No.	Page.	Item	Description	Part No.	Page.	Item	Description
R13810992	3-1.4	105	Capscrew	R13811077	7-1.1	52	Capscrew
R13810993	2-2.1	12	Capscrew	R13811077	7-1.3	52	Capscrew
R13810993	2-2.1	12	Capscrew	R13811079	2-6.1	12	Capscrew
R13810993	2-5.5	7	Capscrew	R13811079	2-6.2	35	Capscrew
R13810996	4-1.40	2	Capscrew	R13811079	8-3.3	33	Capscrew
R13810998	4-3.14	22	Capscrew	R13811083	2-4.3	5	Capscrew
R13810999	5-1.5	69	Capscrew	R13811083	2-4.1	5	Capscrew
R13811011	8-3.3	68	Capscrew	R13811083	2-4.2	5	Capscrew
R13811015	5-2.3	18	Capscrew	R13811086	1-4.5	21	Capscrew
R13811017	5-2.3	9	Capscrew	R13811121	9-1.16	19	Capscrew
R13811031	6-1.1	22	Capscrew	R13811122	7-1.1	33	Capscrew
R13811033	9-1.16	10	Capscrew	R13811122	7-1.3	33	Capscrew
R13811035	2-5.4	2	Capscrew	R13811122	7-1.6	7	Capscrew
R13811035	2-5.4	4	Capscrew	R13811122	7-1.7	7	Capscrew
R13811035	2-5.5	4	Capscrew	R13811122	7-1.8	7	Capscrew
R13811035	2-6.6	4	Capscrew	R13811123	7-1.3	3	Capscrew
R13811035	7-1.3	46	Capscrew	R13811124	7-1.3	53	Capscrew
R13811035	9-1.11	45	Capscrew	R13811126	4-2.1	11	Capscrew
R13811035	2-5.1	3	Capscrew	R13811132	2-1.1	3	Capscrew
R13811035	1-1.1	22	Capscrew	R13811135	5-1.3	53	Capscrew
R13811035	3-1.1	26	Capscrew	R13811135	5-1.5	53	Capscrew
R13811035	7-1.1	29	Capscrew	R13811144	7-1.1	14	Capscrew
R13811035	7-1.3	29	Capscrew	R13811144	7-1.3	14	Capscrew
R13811035	8-3.3	5	Capscrew	R13811146	4-1.1	9	Capscrew
R13811035	9-1.12	7	Capscrew	R13811146	1-5.1	9	Capscrew
R13811035	9-1.13	7	Capscrew	R13811146	7-1.6	18	Capscrew
R13811036	1-4.2	37	Capscrew	R13811146	7-1.7	18	Capscrew
R13811036	6-3.1	2	Capscrew	R13811146	7-1.8	18	Capscrew
R13811036	9-1.13	12	Capscrew	R13811150	1-1.2	11	Screw
R13811037	2-6.2	19	Capscrew	R13811154	4-1.1	5	Capscrew
R13811037	4-1.33	12	Capscrew	R13811173	2-2.2	6	Nut
R13811037	4-1.35	12	Capscrew	R13811177	7-1.6	12	Nut
R13811037	5-1.3	44	Capscrew	R13811177	7-1.7	12	Nut
R13811037	5-1.5	44	Capscrew	R13811177	7-1.8	12	Nut
R13811037	7-1.6	29	Capscrew	R13811183	5-1.3	19	Nut
R13811037	8-3.3	72	Capscrew	R13811183	5-1.5	19	Nut
R13811037	3-1.1	16	Capscrew	R13811189	2-2.1	9	Nut
R13811037	9-1.3	18	Capscrew	R13811189	2-4.3	51	Nut
R13811037	9-1.5	19	Capscrew	R13811189	2-5.5	8	Nut
R13811037	9-1.7	19	Capscrew	R13811189	9-1.11	32	Nut
R13811037	9-1.9	19	Capscrew	R13811189	9-3.3	20	Nut
R13811037	9-3.6	14	Capscrew	R13811189	2-2.3	10	Nut
R13811039	6-1.1	8	Capscrew	R13811189	3-1.4	107	Nut
R13811039	6-1.3	8	Capscrew	R13811189	8-3.1	10	Nut
R13811041	9-1.13	54	Capscrew	R13811189	9-1.3	37	Nut
R13811041	5-2.3	8	Capscrew	R13811189	9-1.5	48	Nut
R13811043	5-1.5	63	Capscrew	R13811189	9-1.7	48	Nut
R13811044	6-1.1	12	Capscrew	R13811189	9-1.9	48	Nut
R13811044	6-1.3	12	Capscrew	R13811190	2-5.4	7	Nut
R13811047	4-1.30	18	Capscrew	R13811190	5-2.3	14	Nut
R13811056	3-1.1	22	Capscrew	R13811190	9-3.3	13	Nut
R13811056	3-1.3	22	Capscrew	R13811190	2-7.1	7	Nut
R13811059	9-1.1	44	Capscrew	R13811190	3-1.8	4	Nut
R13811060	6-1.4	8	Capscrew	R13811190	5-2.3	6	Nut
R13811060	5-2.3	19	Capscrew	R13811191	2-6.3	5	Nut
R13811073	7-1.3	21	Capscrew	R13811191	2-6.4	5	Nut
R13811075	8-3.11	8	Capscrew	R13811191	3-1.1	12	Nut
R13811075	9-1.1	41	Capscrew	R13811191	3-1.3	12	Nut
R13811075	7-1.1	26	Capscrew	R13811191	4-1.33	52	Nut
R13811075	7-1.3	26	Capscrew	R13811191	4-1.35	52	Nut
R13811075	1-2.1	3	Capscrew	R13811191	5-1.3	16	Nut
R13811076	1-4.5	48	Capscrew	R13811191	5-1.5	16	Nut
R13811076	8-3.11	4	Capscrew	R13811191	5-1.5	16	Nut
R13811076	1-4.5	35	Capscrew	R13811191	6-1.1	11	Nut
R13811076	7-1.1	9	Capscrew	R13811191	6-1.3	11	Nut
R13811076	7-1.3	9	Capscrew	R13811191	7-1.1	42	Nut
R13811076	7-1.6	4	Capscrew	R13811191	7-1.3	42	Nut
R13811076	7-1.7	4	Capscrew	R13811191	8-3.3	31	Nut
R13811076	7-1.8	4	Capscrew	R13811191	2-5.1	5	Nut

Part No.	Page.	Item	Description	Part No.	Page.	Item	Description
R13811191	3-1.8	12	Nut	R13811431	9-1.5	21	Washer
R13811191	4-1.30	14	Nut	R13811431	9-1.7	21	Washer
R13811191	5-2.3	3	Nut	R13811431	9-1.9	21	Washer
R13811191	5-2.3	24	Nut	R13811432	6-1.4	9	Washer
R13811191	2-6.1	17	Nut	R13811432	2-1.1	16	Washer
R13811191	2-6.2	36	Nut	R13811433	1-4.5	49	Washer
R13811193	1-4.2	30	Nut	R13811433	2-4.3	7	Washer
R13811193	2-4.3	10	Nut	R13811433	1-1.1	1	Washer
R13811193	8-3.10	62	Nut	R13811433	1-2.1	6	Washer
R13811193	2-4.1	10	Nut	R13811433	1-4.5	12	Washer
R13811193	2-4.2	10	Nut	R13811433	2-1.1	9	Washer
R13811193	2-6.1	15	Nut	R13811433	2-4.1	7	Washer
R13811193	2-6.2	32	Nut	R13811433	2-4.2	7	Washer
R13811193	8-3.11	3	Nut	R13811433	6-2.3	4	Washer
R13811195	5-2.2	3	Nut	R13811433	7-1.1	10	Washer
R13811195	2-1.1	13	Nut	R13811433	7-1.3	10	Washer
R13811195	4-2.1	12	Nut	R13811433	7-1.6	5	Washer
R13811195	7-1.1	6	Nut	R13811433	7-1.7	5	Washer
R13811195	7-1.3	6	Nut	R13811433	7-1.8	5	Washer
R13811196	4-1.1	7	Nut	R13811435	2-1.1	4	Washer
R13811210	4-1.37	93	Capscrew	R13811435	4-2.1	13	Washer
R13811215	2-1.1	27	Capscrew	R13811435	5-1.3	54	Washer
R13811218	2-1.1	34	Capscrew	R13811435	5-1.5	54	Washer
R13811225	2-2.1	22	Capscrew	R13811435	7-1.1	5	Washer
R13811225	2-6.3	1	Capscrew	R13811435	7-1.3	5	Washer
R13811225	2-6.4	1	Capscrew	R13811435	7-1.6	8	Washer
R13811225	2-3.1	4	Capscrew	R13811435	7-1.7	8	Washer
R13811225	3-1.3	26	Capscrew	R13811435	7-1.8	8	Washer
R13811228	2-1.1	15	Capscrew	R13811436	1-1.2	12	Washer
R13811236	2-1.1	10	Capscrew	R13811436	4-1.1	6	Washer
R13811253	5-1.3	50	Capscrew	R13811436	7-1.6	11	Washer
R13811253	5-1.5	50	Capscrew	R13811436	7-1.7	11	Washer
R13811416	3-1.8	90	Nut	R13811436	7-1.8	11	Washer
R13811429	2-5.5	9	Washer	R13811436	1-5.1	8	Washer
R13811429	2-2.3	11	Washer	R13811443	4-3.14	24	Washer
R13811429	3-1.4	106	Washer	R13811443	4-1.40	3	Washer
R13811429	4-1.30	13	Washer	R13811444	6-1.1	38	Washer
R13811431	2-5.4	5	Washer	R13811444	9-3.1	21	Washer
R13811431	2-5.4	5	Washer	R13811444	9-3.3	3	Washer
R13811431	2-5.5	5	Washer	R13811444	9-3.6	10	Washer
R13811431	2-6.3	6	Washer	R13811457	7-1.1	15	Washer
R13811431	2-6.4	6	Washer	R13811457	7-1.3	15	Washer
R13811431	3-1.1	13	Washer	R13811458	8-3.3	73	Washer
R13811431	3-1.3	13	Washer	R13811458	2-1.1	28	Washer
R13811431	4-1.33	11	Washer	R13811469	2-1.1	7	Nut
R13811431	4-1.35	11	Washer	R13811469	5-1.3	55	Nut
R13811431	4-1.37	94	Washer	R13811469	5-1.5	55	Nut
R13811431	5-1.3	15	Washer	R13811512	2-6.5	5	Nut
R13811431	5-1.3	18	Washer	R13811617	9-3.1	25	Capscrew
R13811431	5-1.5	15	Washer	R13811617	9-3.3	11	Capscrew
R13811431	5-1.5	18	Washer	R13812000	1-4.2	24	Capscrew
R13811431	5-1.5	18	Washer	R13812213	2-4.3	50	Washer
R13811431	6-1.1	35	Washer	R13812213	3-1.4	5	Washer
R13811431	6-1.3	35	Washer	R13812213	4-1.4	22	Washer
R13811431	7-1.1	43	Washer	R13812213	4-1.18	32	Washer
R13811431	7-1.6	28	Washer	R13812213	8-3.3	15	Washer
R13811431	9-1.1	19	Washer	R13812213	8-3.6	9	Washer
R13811431	9-1.13	19	Washer	R13812369	1-4.2	20	Capscrew
R13811431	9-1.13	53	Washer	R13812444	3-1.4	101	Nut
R13811431	1-1.1	27	Washer	R13812513	3-1.4	8	Washer
R13811431	2-5.1	4	Washer	R13812514	5-1.3	45	Washer
R13811431	3-1.8	13	Washer	R13812514	5-1.5	45	Washer
R13811431	4-1.30	12	Washer	R13812514	6-1.3	44	Washer
R13811431	6-1.1	32	Washer	R13812514	9-1.3	83	Washer
R13811431	6-1.3	32	Washer	R13812514	9-1.5	83	Washer
R13811431	7-1.1	30	Washer	R13812514	9-1.7	83	Washer
R13811431	7-1.3	30	Washer	R13812514	9-1.9	83	Washer
R13811431	8-3.3	6	Washer	R13812514	4-1.30	11	Washer
R13811431	9-1.3	2	Washer	R13812514	7-1.1	39	Washer

Part No.	Page.	Item	Description	Part No.	Page.	Item	Description
R13812514	7-1.3	39	Washer	R14203	8-3.6	19	Fuse
R13812518	7-1.6	25	Washer	R14203	8-3.3	17	Fuse
R13812518	7-1.7	25	Washer	R14204	8-3.3	40	Cover, A/C Hoses
R13812518	7-1.8	25	Washer	R14209	8-3.3	46	Compressor
R13812882	4-3.1	2	Capscrew	R14210	8-3.4		Condenser
R13813167	3-1.4	23	Machine Screw	R14210	8-3.3	47	Condenser, Air Cond
R13813197	3-1.4	100	Machine Screw	R14211	8-3.4		Air Conditioner
R13813326	8-1.1	2	Washer	R14211	8-3.3	48	A/C Heater
R13815	2-1.1	1	Bracket, RH	R14212	8-3.6	2	Heater
R13818	2-1.1	2	Bracket, LH	R14212	8-3.7		Heater Assembly
R13822	3-1.4	88	Oil Temperature Sender	R14215	7-1.7	16	Cover, LH
R13823	3-1.4	82	Water Temperature Sender	R14216	7-1.7	17	Cover, RH
R13824	3-1.4	77	Oil Pressure Sender	R14231	9-3.1	1	Mounting Plate
R13826	8-2.1	35	Plug	R14235	1-5.2		Winch Assembly
R13828	8-3.10	42	Tie Strap	R14235	1-5.3		Winch Assembly
R13847	2-2.3	6	Nut	R14235	1-5.4		Winch Assembly
R13847	3-1.6	17	Nut	R14235	1-5.1	1	Winch Assembly
R13847	9-1.5	44	Nut	R14236	9-3.6	13	Winch Control Valve
R13847	9-1.7	44	Nut	R14253	9-1.11	28	Fitting
R13851	3-1.4	113	Wire Harness	R14253	9-3.6	16	Fitting
R13852	3-1.4	61	Wiring Harness	R14257	4-3.14	19	Hose Assembly
R13856	2-6.5	8	Core	R14259	9-1.3	14	Hose Assembly
R13857	2-6.5	2	Bottom Tank	R14259	9-1.5	52	Hose Assembly
R13858	2-6.5	1	Tank Top	R14259	9-1.7	52	Hose Assembly
R13859	2-6.5	11	Bar	R14259	9-1.9	52	Hose Assembly
R13860	2-6.5	18	Plug	R14267	5-1.3	34	Hose Assembly
R13861	2-6.5	19	Plug	R14267	5-1.5	34	Hose Assembly
R13862	2-6.5	20	Plug	R14291	9-1.1	9	Hose
R13863	2-6.5	17	Plug	R14293	4-1.33	6	Fitting
R13864	2-6.5	10	Bar	R14293	4-1.35	6	Fitting
R13865	2-6.5	16	Bar	R14293	4-1.40	28	Fitting
R13866	2-6.5	22	Bar	R14304	4-1.1	2	Transmission Mount, LH Front
R13867	2-6.5		Bracket	R14307	9-1.16	11	Breather
R13868	2-6.5		Pad	R14309	4-1.33	36	Tube
R13907	2-6.1	6	Baffle	R14311	5-1.3	29	Tube
R13909	9-5.1	1	Cover	R14311	5-1.5	29	Tube
R13910	9-5.1	3	Head	R14315	9-1.16	1	Tank
R13911	9-5.1	7	Housing	R14332	9-3.7		Hydraulic Control Valve
R13912	9-5.1	8	Housing Valve	R14332	9-3.6	2	Valve
R13935	8-1.1	7	Washer	R14335	9-1.16	8	Cover
R13943	2-5.1	10	Tube	R14337	9-1.16	2	Strainer, Suction
R13947	7-1.5	1	Cradle	R14339	9-1.16	9	Gasket
R13993	9-1.16	3	Gauge, Sight	R14340	9-1.16	5	Strainer
R14019	1-5.1	2	Shim, Front	R14341	9-1.16		Hydraulic Tank Assembly
R14020	1-5.1	3	Shim, Front	R14361	4-1.33	22	Hose
R14021	1-5.1	4	Shim, Front	R14361	4-1.35	22	Hose
R14022	1-5.1	5	Shim, Rear	R14362	4-1.33	37	Cap
R14023	1-5.1	6	Shim, Rear	R14364	5-1.3	49	Bracket
R14024	1-5.1	7	Shim, Rear	R14364	5-1.5	49	Bracket
R14038	9-1.14	14	Fitting	R14371	6-1.4	13	Bracket
R14039	9-1.14	1	Coupler	R14372	6-1.4	7	Fitting
R14040	9-1.14	7	Coupler	R14373	9-1.14		Dust Cap
R14062	9-3.1	2	Hydraulic Control Valve	R14375	9-1.16	21	Guard
R14062	9-3.5		Hi Vis Hydraulic Control Valve	R14376	9-1.12	6	Plate
R14074	3-1.8	9	Wire Assembly	R14376	9-1.13	6	Plate
R14149	4-3.2		Differential Lock Axle Assy.	R14377	9-1.12	13	Fitting
R14149	4-3.1	6	Front Axle, No Spin	R14378	9-1.12	17	Tube Assembly
R14150	4-3.6		Front No Spin Axle Assembly	R14380	9-1.12	21	Tube Assembly
R14150	4-3.8		Front Axle Assembly	R14382	5-1.3	41	Hose
R14151	4-3.1		Front Axle, Differential Lock	R14382	5-1.5	41	Hose
R14151	4-3.10		Rear Axle Assembly	R14383	7-1.1	35	Cylinder Guard, RH
R14151	4-3.1	1	Axle, Rear	R14383	7-1.3	35	Cylinder Guard, RH
R14174	7-1.7		Fender Option	R14384	7-1.1	36	Cylinder Guard, LH
R14174	7-1.8		Fender Option	R14384	7-1.3	36	Cylinder Guard, LH
R14182	7-1.7	23	Fender, RH	R14395	9-6.1		Accumulator
R14182	7-1.8	23	Fender, RH	R14395	9-1.3	6	Accumulator
R14183	7-1.7	24	Fender, LH	R14395	9-1.5	6	Accumulator
R14183	7-1.8	24	Fender, LH	R14397	9-1.3	7	Clamp
R14201	8-3.6	1	Heater Kit	R14397	9-1.5	7	Clamp



Part No.	Page.	Item	Description	Part No.	Page.	Item	Description
R14398	9-1.3	21	Fitting	R14521	9-3.6	9	Pin, Clevis
R14398	9-1.5	39	Fitting	R14538	9-1.3	31	Cover
R14398	9-1.7	39	Fitting	R14545	7-1.1	34	Support
R14402	9-3.1		Hyd Control Valve Installation	R14546	7-1.1	21	Support
R14402	9-1.3	1	Hydraulic Valve Assembly	R14555	8-3.11		AuxLighting
R14402	9-1.5	1	Hydraulic Valve Assembly	R14556	8-3.11	7	Box
R14409	5-1.3	43	Hydraulic Pump	R14560	8-3.11	12	Lens
R14409	5-1.5	43	Hydraulic Pump	R14575	8-3.3	1	Condenser Canopy
R14409	9-2.2		Brake Hydraulic Pump	R14577	8-3.3	3	Grille
R14410	9-1.1	38	Hydraulic Pump	R14579	7-1.1	50	Flex Step
R14410	9-2.1		Hydraulic Pump	R14579	7-1.3	50	Flex Step
R14412	9-3.1	11	Rod	R14580	7-1.1	51	Bar
R14412	9-3.3	7	Rod	R14580	7-1.3	51	Bar
R14413	9-3.1	18	Lever	R14586	9-3.1	24	Plate
R14417	5-1.3	37	Fitting	R14589	3-1.1	21	Bracket
R14417	5-1.5	37	Fitting	R14589	3-1.3	21	Bracket
R14421	6-1.1	7	Steering Mount	R14590	3-1.8	2	Holddown
R14425	5-1.3	22	Disc	R14594	3-1.8	3	Hook
R14425	5-1.5	22	Disc	R14596	9-1.3	33	Plate
R14426	5-1.3	21	Flange	R14596	9-1.5	46	Plate
R14426	5-1.5	21	Flange	R14596	9-1.7	46	Plate
R14428	4-1.37		Converter	R14596	9-1.9	46	Plate
R14431	4-1.33	35	Fitting, Elbow	R14602	9-1.11	47	Plate
R14432	3-1.4	119	Diode	R14607	9-1.11	42	Hose Guard
R14438	9-1.3	47	Fitting	R14612	2-2.1	18	Spacer
R14438	9-1.5	10	Fitting Rework	R14612	2-2.1	18	Spacer
R14438	9-1.7	10	Fitting Rework	R14613	6-1.1	36	Puck
R14447	9-1.3	17	Bracket	R14613	6-1.3	36	Puck
R14447	9-1.5	17	Bracket	R14613	7-1.1	19	Puck
R14447	9-1.7	17	Bracket	R14613	7-1.3	19	Puck
R14447	9-1.9	17	Bracket	R14615	7-1.6	19	Rear Axle Cover
R14450	9-1.3	5	Trim	R14615	7-1.7	19	Rear Axle Cover
R14450	9-1.5	5	Trim,Edge	R14615	7-1.8	19	Rear Axle Cover
R14450	9-1.7	5	Trim,Edge	R14616	9-1.3	80	Hose Gaurd
R14450	9-1.9	5	Trim,Edge	R14616	9-1.3	42	Guard
R14451	9-3.1	23	Tie Rod Kit	R14616	9-1.5	50	Hose Guard
R14451	9-3.3	9	Kit, Tie Rod	R14616	9-1.7	50	Hose Guard
R14457	2-4.1	18	Fuel Tank	R14616	9-1.9	50	Hose Guard
R14458	9-1.1	45	Bracket	R14618	9-1.3	38	Gauge
R14460	7-1.1	1	Frame	R14618	9-1.5	43	Gauge
R14460	7-1.3	1	Frame	R14618	9-1.7	43	Gauge
R14463	8-1.1		Cab, Screened	R14618	9-1.9	43	Gauge
R14463	8-1.7		Screened Cab	R14619	9-1.3	41	Hose Assembly
R14471	3-1.8	6	Wire Assembly	R14619	9-1.5	34	Hose Assembly
R14472	3-1.8	7	Wire Assembly	R14619	9-1.7	34	Hose Assembly
R14473	3-1.8	8	Wire Assembly	R14619	9-1.9	34	Hose Assembly
R14490	6-1.1	23	Spacer	R14621	9-1.3	27	Hose Assembly
R14491	6-1.1	24	Snap Ring	R14621	9-1.5	41	Hose Assembly
R14491	6-1.3	24	Snap Ring	R14621	9-1.7	41	Hose Assembly
R14492	6-1.1	26	Spring	R14621	9-1.9	41	Hose Assembly
R14492	6-1.3	26	Spring	R14622	9-1.3	29	Hose Assembly
R14493	7-1.3	54	Plate, Backing along top edge	R14623	9-1.5	35	Fitting
R14496	7-1.3	55	Plate, Backing along side edges	R14623	9-1.7	35	Fitting
R14498	8-2.1	31	Switch	R14633	9-1.16		Fitting
R14499	8-2.1	25	Symbol, Declutch	R14649	7-1.8	16	Cover, LH
R14500	3-1.4	123	Wire Assembly	R14650	7-1.8	17	Cover, RH
R14501	3-1.4	124	Wire Assembly	R14657	2-5.4	4	Tube
R14502	3-1.4	125	Wire Assembly	R14691	7-1.6	1	Frame
R14505	2-5.1	7	Bellows	R14711	8-3.3	67	Strip
R14513	9-1.1	1	Fitting	R14719	4-4.1	2	Rim
R14513	9-3.1	10	Fitting	R14720	4-4.1	2	Rim
R14513	9-3.6	4	Fitting	R14737	4-4.1	2	Rim
R14516	9-3.1	19	Lever	R14740	4-4.1	2	Rim
R14516	9-3.6	8	Lever	R14758	2-4.3	17	Hose Assembly
R14520	9-3.1	13	Knob	R14758	2-4.2	17	Hose Assembly
R14520	9-3.3	6	Knob	R14759	2-4.3	16	Hose Assembly
R14520	9-3.6	12	Knob	R14759	2-4.2	16	Hose Assembly
R14521	9-3.1	20	Clevis Pin	R14767	5-2.5		Seal Kit
R14521	9-3.3	2	Clevis Pin	R14769	9-2.2	1	Front Plate

Part No.	Page.	Item	Description	Part No.	Page.	Item	Description
R14770	9-2.2	2	Back Plate	R15066	5-2.5	9A	Capscrew
R14771	9-2.2	3	Body	R15066	9-6.1	9A	Capscrew
R14772	9-2.2	4	Drive Gear	R15066	9-6.2	9A	Capscrew
R14773	9-2.2	5	Idler Gear	R15067	5-2.5	2	Hydraulic End Cap
R14774	9-2.2	11	Capscrew	R15068	5-2.5	3	Gas End Cap
R14775	9-2.2	14	Washer	R15069	5-2.5	8	Gas Valve
R14776	9-2.2	15	Ring, Retaining	R15070	5-2.5	9	Protector
R14777	9-2.2		Repair Kit	R15070	9-6.2	9	Protector
R14792	1-4.5		70" Grapple Assembly	R15071	9-1.11	30	Plate
R14801	4-1.33	5	Hose Assembly	R15072	8-3.4	22	Hose
R14801	4-1.35	5	Hose Assembly	R15072	8-3.7	22	Hose
R14802	4-1.33	15	Hose Assembly	R15073	8-3.4	14f	Resistor
R14802	4-1.35	15	Hose Assembly	R15073	8-3.4	16	Resistor
R14803	4-2.1	21	Hose Assembly	R15073	8-3.7	14f	Resistor
R14804	4-1.19	1	Ring	R15073	8-3.7	16	Resistor
R14804	4-1.20	1	Ring	R15074	8-3.4	15e	Motor Holder
R14807	8-3.10	63	Cover	R15074	8-3.7	15e	Motor Holder
R14808	8-3.10	64	Cover	R15075	8-3.4	15d	Motor
R14815	5-2.3	7	Cable	R15075	8-3.5	5	Motor
R14825	8-3.10	60	Wire Harness	R15075	8-3.7	15d	Motor
R14841	8-3.11	1	Wire Harness	R15076	8-3.4	15c	Venturi
R14999	5-2.4	1	Shuttle Valve	R15076	8-3.7	15c	Venturi
R15000	5-2.4	2	Check Valve	R15077	8-3.4	15b	Wheel
R15001	5-2.4	3	Unloading Valve	R15077	8-3.7	15b	Wheel
R15002	5-2.4	4	Relief Valve	R15078	8-3.4	15a	Blower Housing
R15003	5-2.4	5	Solenoid Valve	R15078	8-3.7	15a	Blower Housing
R15004	5-2.4	6	Solenoid Valve	R15079	8-3.4	15	Blower
R1500453	2-5.1	13	Clamp	R15079	8-3.7	15	Blower
R15006	5-2.4	7	Coil	R15080	8-3.4	14e	Motor Mount
R15008	5-2.4	8	Plug	R15080	8-3.7	14e	Motor Mount
R15009	5-2.4	9	Plug	R15081	8-3.4	14d	Motor
R15011	5-2.4		Seal Kit	R15081	8-3.7	14d	Motor
R15012	5-2.4		Seal Kit	R15082	8-3.4	14c	Venturi
R15013	5-2.4		Seal Kit	R15082	8-3.7	14c	Venturi
R15014	5-2.4		Seal Kit	R15083	8-3.4	14b	Blower Wheel
R15015	5-2.4		Seal Kit	R15083	8-3.7	14b	Blower Wheel
R15016	5-2.4		Seal Kit	R15084	8-3.4	14a	Blower Housing
R15017	5-2.1	1	Plug	R15084	8-3.7	14a	Blower Housing
R15018	5-2.1	2	Capscrew	R15085	8-3.4	14	Blower
R15019	5-2.1	3	Seat	R15085	8-3.7	14	Blower
R15020	5-2.1	6	Guide, Piston	R15096	9-1.5	42	Cover
R15021	5-2.1	7	Piston	R15096	9-1.7	42	Cover
R15022	5-2.1	9	Capscrew	R15096	9-1.9	42	Cover
R15023	5-2.1	13	Spring, Return	R15101	9-1.11	22	Hose Assembly
R15024	5-2.1	14	Spring	R15102	4-1.37	91	Loctite
R15025	5-2.1	17	Spring, Return	R15106	2-5.1	12	Tube
R15026	5-2.1		Repair Kit	R15107	9-3.5	1	Plug
R15027	9-2.1	3	Bushings	R15107	9-3.5	1	Plug
R15028	9-2.1	4	Channel Seal	R15107	9-3.7	1	Plug
R15029	9-2.1	5	Thrust Plates	R15108	9-3.5	2	O-Ring
R15030	9-2.1	6	Gear Set	R15108	9-3.5	2	O-Ring
R15031	9-2.1	7	Gasket Seal	R15108	9-3.7	2	O-Ring
R15032	9-2.1	11	Washer	R15109	9-3.5	3	Plug
R15033	9-2.1	12	Capscrews	R15109	9-3.7	3	Plug
R15034	9-1.11		Valve Assembly	R15110	9-3.5	4	O-Ring
R1503463	9-4.2	10	Ring	R15110	9-3.5	13	O-Ring
R15035	9-3.6	1	Mounting Plate	R15110	9-3.5	13	O-Ring
R15037	9-3.6	19	Lever	R15110	9-3.5	13	O-Ring
R15041	9-1.11	33	Bar	R15110	9-3.5	13	O-Ring
R15041	9-3.3	22	Bar	R15110	9-3.7	4	O-Ring
R15042	9-1.11	34	Seal	R15110	9-3.7	13	O-Ring
R15042	9-3.3	21	Seal	R15111	9-3.5	5	Back-up Ring
R15061	9-6.1	2	Hydraulic End Cap	R15111	9-3.7	5	Back-up Ring
R15062	9-6.1	3	Gas End Cap	R15112	9-3.5	6	O-Ring
R15063	5-2.5	4	Piston	R15112	9-3.7	6	O-Ring
R15063	9-6.1	4	Piston	R15113	9-3.5	7	Check Valve
R15064	9-6.1	8	Gas Valve	R15113	9-3.5	7	Check Valve
R15064	9-6.2	8	Gas Valve	R15113	9-3.5	7	Check Valve
R15065	9-6.1	9	Protector	R15113	9-3.5	7	Check Valve

Part No.	Page.	Item	Description	Part No.	Page.	Item	Description
R15113	9-3.7	7	Check Valve	R15128	9-3.5	25	Capscrew
R15114	9-3.5	8	Plug	R15128	9-3.7	25	Capscrew
R15114	9-3.5	8	Plug	R15129	9-3.5	26	Capscrew
R15114	9-3.5	8	Plug	R15129	9-3.5	26	Capscrew
R15114	9-3.5	8	Plug	R15129	9-3.5	26	Capscrew
R15114	9-3.7	8	Plug	R15129	9-3.5	26	Capscrew
R15115	9-3.5	9	O-Ring	R15129	9-3.7	26	Capscrew
R15115	9-3.5	9	O-Ring	R15130	9-3.5	29	Cover
R15115	9-3.5	9	O-Ring	R15130	9-3.5	29	Cover
R15115	9-3.5	9	O-Ring	R15131	9-3.5	30	Relief Valve
R15115	9-3.7	9	O-Ring	R15132	9-3.5	31	Cover
R15116	9-3.5	10	Spring	R15133	9-3.5	32	Relief Valve
R15116	9-3.5	10	Spring	R15133	9-3.5	32	Relief Valve
R15116	9-3.5	10	Spring	R15134	9-3.5	33	Anticavitation Valve
R15116	9-3.5	10	Spring	R15135	9-3.5	34	Lifting Lug
R15116	9-3.7	10	Spring	R15135	9-3.7	34	Lifting Lug
R15117	9-3.5	11	Poppet	R15136	9-3.5	35	Kit, Tie Rod
R15117	9-3.5	11	Poppet	R15137	9-3.5	36	Nut
R15117	9-3.5	11	Poppet	R15137	9-3.7	36	Nut
R15117	9-3.5	11	Poppet	R15138	9-3.5	37	Bracket
R15117	9-3.7	11	Poppet	R15138	9-3.7	37	Bracket
R15118	9-3.5	12	Relief Valve	R15139	9-3.5	38	Seal Kit, Section
R15118	9-3.7	12	Relief Valve	R15139	9-3.7	38	Seal Kit, Section
R15119	9-3.5	16	Guide Ring	R15149	2-6.2	3	Hose
R15119	9-3.5	16	Guide Ring	R15149	2-6.1	9	Hose
R15119	9-3.5	16	Guide Ring	R15150	8-3.4	34	Rotary Control
R15119	9-3.7	16	Guide Ring	R15150	8-3.7	34	Rotary Control
R15120	9-3.5	17	Casing	R15151	8-3.4	35	Knob
R15120	9-3.5	17	Casing	R15151	8-3.7	35	Knob
R15120	9-3.5	17	Casing	R15152	8-3.4	36	Cable
R15120	9-3.7	17	Casing	R15152	8-3.7	36	Cable
R15121	9-3.5	18	Spring	R15171	3-1.8	30	Boot
R15121	9-3.5	18	Spring	R1517252	3-1.4	76	Fitting
R15121	9-3.5	18	Spring	R1517252	7-1.4	18	Lube Fitting
R15121	9-3.5	18	Spring	R1517252	4-1.40	9	Fitting
R15121	9-3.7	18	Spring	R1517253	9-1.14	8	Fitting
R15122	9-3.5	20	Spacer	R15174	4-1.37	81	Adapter, Pump
R15122	9-3.5	20	Spacer	R15175	8-3.5	8	Motor Support
R15122	9-3.5	20	Spacer	R15176	8-3.5	12	Wiring Harness
R15122	9-3.5	20	Spacer	R15177	8-3.5	13	Grommet
R15122	9-3.7	20	Spacer	R15178	8-3.5	14	Plug
R15123	9-3.5	19	Casing	R15179	8-3.5	15	Plug
R15123	9-3.5	19	Casing	R15180	8-3.4	32	Decal
R15123	9-3.5	19	Casing	R15180	8-3.7	32	Decal
R15123	9-3.5	19	Casing	R15181	4-1.37	67	Retaining Ring
R15123	9-3.7	19	Casing	R15181	4-1.37	72	Retaining Ring
R15124	9-3.5	21	Washer	R15186	9-1.5	62	Fitting Assembly
R15124	9-3.5	21	Washer	R1518609	4-2.1	20	Fitting
R15124	9-3.5	21	Washer	R15190	1-4.2	28	Manifold Assembly, Rotary
R15124	9-3.5	21	Washer	R15190	1-4.3		Rotor Manifold Assembly
R15124	9-3.7	21	Washer	R15191	1-4.3	1	Housing
R15125	9-3.5	22	Capscrew	R1519195	7-1.4	9	Seal
R15125	9-3.5	22	Capscrew	R1519195	7-1.5	9	Seal
R15125	9-3.5	22	Capscrew	R1519196	7-1.4	4	Seal
R15125	9-3.5	22	Capscrew	R1519196	7-1.5	4	Seal
R15125	9-3.7	22	Capscrew	R15192	1-4.3	2	Shaft
R15126	9-3.5	23	Cap	R15193	1-4.3	3	Seal Ring
R15126	9-3.5	23	Cap	R15194	1-4.3	4	Bearing Ring
R15126	9-3.5	23	Cap	R15195	1-4.2	15	Nut, Clamp
R15126	9-3.5	23	Cap	R15199	4-1.33	3	Fitting
R15126	9-3.7	23	Cap	R15199	4-1.35	3	Fitting
R15127	9-3.5	24	Washer	R15241	9-3.7	29	O-Ring
R15127	9-3.5	24	Washer	R15242	9-3.7	30	Plug
R15127	9-3.5	24	Washer	R15247	9-3.7	35	Kit, Tie Rod
R15127	9-3.5	24	Washer	R15255	7-1.6	27	Plate
R15127	9-3.7	24	Washer	R15258	9-3.5	27	Cover
R15128	9-3.5	25	Capscrew	R15258	9-3.7	27	Cover
R15128	9-3.5	25	Capscrew	R15272	4-3.2	1	Ring Nut
R15128	9-3.5	25	Capscrew	R15272	4-3.6	1	Ring Nut

Part No.	Page.	Item	Description	Part No.	Page.	Item	Description
R15272	4-3.10	1	Ring Nut	R15293	4-3.10		Shim
R15273	4-3.2	2	Bearing	R15294	4-3.2	20	Cover
R15273	4-3.6	2	Bearing	R15294	4-3.6	20	Cover
R15273	4-3.10	2	Bearing	R15294	4-3.10	20	Cover
R15274	4-3.2	3	Plug	R15295	4-3.2	21	Bolt
R15274	4-3.4	15	Plug	R15295	4-3.6	21	Bolt
R15274	4-3.6	3	Plug	R15295	4-3.10	21	Bolt
R15274	4-3.8	15	Plug	R15296	4-3.2	22	Bearing
R15274	4-3.10	3	Plug	R15296	4-3.6	22	Bearing
R15274	4-3.12	15	Plug	R15296	4-3.10	22	Bearing
R15275	4-3.2	4	O-Ring	R1529625	2-5.1	6	Indicator
R15275	4-3.4	14	O-Ring	R15297	4-3.2	23	Seal
R15275	4-3.6	4	O-Ring	R15297	4-3.6	23	Seal
R15275	4-3.8	14	O-Ring	R15297	4-3.10	23	Seal
R15275	4-3.10	4	O-Ring	R15298	4-3.2	24	Seal
R15275	4-3.12	14	O-Ring	R15298	4-3.6	24	Seal
R15276	4-3.2	5	Bolt	R15298	4-3.10	24	Seal
R15276	4-3.6	5	Bolt	R15299	4-3.2	25	Washer
R15276	4-3.10	5	Bolt	R15299	4-3.6	25	Washer
R15277	4-3.2	6	Housing	R15299	4-3.10	25	Washer
R15277	4-3.6	6	Housing	R15300	4-3.2	26	Seal
R15277	4-3.10	6	Housing	R15300	4-3.6	26	Seal
R15278	4-3.2	7	Plug	R15300	4-3.10	26	Seal
R15278	4-3.6	7	Plug	R15301	4-3.2	27	Bushing
R15278	4-3.10	7	Plug	R15301	4-3.6	27	Bushing
R15279	4-3.2	8	Seal	R15301	4-3.10	27	Bushing
R15279	4-3.6	8	Seal	R15302	4-3.2	28	Nut
R15279	4-3.10	8	Seal	R15302	4-3.6	28	Nut
R15280	4-3.2	9	Locking Plate	R15302	4-3.10	28	Nut
R15280	4-3.6	9	Locking Plate	R15303	4-3.2	29	Fitting
R15280	4-3.10	9	Locking Plate	R15303	4-3.6	29	Fitting
R15281	4-3.2	10	Washer	R15303	4-3.10	29	Fitting
R15281	4-3.6	10	Washer	R15304	4-3.2	30	Shim
R15281	4-3.10	10	Washer	R15304	4-3.6	30	Shim, .10mm
R15282	4-3.2	11	Bolt	R15304	4-3.10	30	Shim
R15282	4-3.6	11	Bolt	R15305	4-3.2		Shim
R15282	4-3.10	11	Bolt	R15305	4-3.6		Shim, .15mm
R15283	4-3.2	12	Differential Carrier	R15305	4-3.10		Shim
R15283	4-3.6	12	Differential Carrier	R15306	4-3.2		Shim
R15283	4-3.10	12	Differential Carrier	R15306	4-3.6		Shim, .20mm
R15284	4-3.2	13	Spring Washer	R15306	4-3.10		Shim
R15284	4-3.6	13	Spring Washer	R15307	4-3.2		Shim
R15284	4-3.10	13	Spring Washer	R15307	4-3.6		Shim, .30mm
R15285	4-3.2	14	Bolt	R15307	4-3.10		Shim
R15285	4-3.6	14	Bolt	R15308	4-3.2		Shim
R15285	4-3.10	14	Bolt	R15308	4-3.6		Shim, .40mm
R15286	4-3.2	15	Bearing	R15308	4-3.10		Shim
R15286	4-3.6	15	Bearing	R15309	4-3.2		Shim
R15286	4-3.10	15	Bearing	R15309	4-3.6		Shim, .50mm
R15287	4-3.2	16	Bearing	R15309	4-3.10		Shim
R15287	4-3.6	16	Bearing	R15310	4-3.2	31	Dowel
R15287	4-3.10	16	Bearing	R15310	4-3.6	31	Dowel
R15288	4-3.2	17	Spacer	R15310	4-3.10	31	Dowel
R15288	4-3.6	17	Spacer	R15311	4-3.2	32	Bolt
R15288	4-3.10	17	Spacer	R15311	4-3.6	32	Bolt
R15289	4-3.2	18	O-Ring	R15311	4-3.10	32	Bolt
R15289	4-3.6	18	O-Ring	R15312	4-3.3	1	Bolt
R15289	4-3.10	18	O-Ring	R15312	4-3.11	1	Bolt
R15290	4-3.2	19	Shim	R15313	4-3.3	2	Washer
R15290	4-3.6	19	Shim, .10mm	R15313	4-3.7	5	Nut
R15290	4-3.10	19	Shim	R15313	4-3.11	2	Washer
R15291	4-3.2		Shim	R15314	4-3.3	3	Differential Case
R15291	4-3.6		Shim, .15mm	R15314	4-3.11	3	Differential Case
R15291	4-3.10		Shim	R15315	4-3.3	4	Side Gear
R15292	4-3.2		Shim	R15315	4-3.11	4	Side Gear
R15292	4-3.6		Shim, .25mm	R15316	4-3.3	5	Pinion Gear
R15292	4-3.10		Shim	R15316	4-3.11	5	Pinion Gear
R15293	4-3.2		Shim	R15317	4-3.3	6	Side Gear
R15293	4-3.6		Shim, .50mm	R15317	4-3.11	6	Side Gear

Part No.	Page.	Item	Description	Part No.	Page.	Item	Description
R15318	4-3.3	7	Washer	R15352	4-3.12	4	Cup, Bearing
R15318	4-3.11	7	Washer	R15353	4-3.4		Cone, Bearing
R15319	4-3.3	8	Piston	R15353	4-3.8		Cone, Bearing
R15319	4-3.11	8	Piston	R15353	4-3.12		Cone, Bearing
R15320	4-3.3	9	Seal	R15354	4-3.4	5	Ring Gear
R15320	4-3.11	9	Seal	R15354	4-3.8	5	Ring Gear
R15321	4-3.3	10	Seal	R15354	4-3.12	5	Ring Gear
R15321	4-3.11	10	Seal	R15355	4-3.4	6	Locking Plate
R15322	4-3.3	11	Spring	R15355	4-3.8	6	Locking Plate
R15322	4-3.11	11	Spring	R15355	4-3.12	6	Locking Plate
R15323	4-3.3	12	Cover	R15356	4-3.4	7	Bolt
R15323	4-3.7	6	Bevel Gear Set	R15356	4-3.8	7	Bolt
R15323	4-3.11	12	Cover	R15356	4-3.12	7	Bolt
R15324	4-3.3	13	Piston	R15357	4-3.4	8	Nut
R15324	4-3.11	13	Piston	R15357	4-3.8	8	Nut
R15325	4-3.3	14	Seal	R15357	4-3.12	8	Nut
R15325	4-3.11	14	Seal	R15358	4-3.4	9	Washer
R15326	4-3.3	15	Ring	R15358	4-3.8	9	Washer
R15326	4-3.11	15	Ring	R15358	4-3.12	9	Washer
R15327	4-3.3	16	Bolt	R15359	4-3.4	10	Ring
R15327	4-3.11	16	Bolt	R15359	4-3.8	10	Ring
R15328	4-3.3	17	Seal	R15359	4-3.12	10	Ring
R15328	4-3.11	17	Seal	R15360	4-3.4	11	Ring
R15329	4-3.3	18	O-Ring	R15360	4-3.8	11	Ring
R15329	4-3.11	18	O-Ring	R15360	4-3.12	11	Ring
R15330	4-3.3	19	Plug	R15361	4-3.4	12	Planet Gear
R15330	4-3.11	19	Plug	R15361	4-3.8	12	Planet Gear
R15331	4-3.3	20	Adaptor	R15361	4-3.12	12	Planet Gear
R15331	4-3.11	20	Adaptor	R15362	4-3.4	13	Planet Carrier
R15332	4-3.3	21	Nut	R15362	4-3.8	13	Planet Carrier
R15332	4-3.11	21	Nut	R15362	4-3.12	13	Planet Carrier
R15333	4-3.3	22	Circlip	R15363	4-3.7	4	No-Spin
R15333	4-3.11	22	Circlip	R15364	4-3.4	16	Bolt
R15334	4-3.3	23	Disc	R15364	4-3.8	16	Bolt
R15334	4-3.11	23	Disc	R15364	4-3.12	16	Bolt
R15335	4-3.3	24	Disc	R15365	4-3.4	17	Washer
R15335	4-3.11	24	Disc	R15365	4-3.8	17	Washer
R15336	4-3.3	25	Selector	R15365	4-3.12	17	Washer
R15336	4-3.11	25	Selector	R15366	4-3.4	18	O-Ring
R15337	4-3.3	26	Bevel Gear Set	R15366	4-3.8	18	O-Ring
R15338	4-3.3	27	Bolt	R15366	4-3.12	18	O-Ring
R15338	4-3.11	27	Bolt	R15367	4-3.4	19	Washer
R15339	4-3.3	28	Friction Washer	R15367	4-3.8	19	Washer
R15339	4-3.11	28	Friction Washer	R15367	4-3.12	19	Washer
R15340	4-3.3	29	Spider	R15368	4-3.4	20	Pinion
R15340	4-3.11	29	Spider	R15368	4-3.8	20	Pinion
R15341	4-3.3	30	Friction Washer	R15368	4-3.12	20	Pinion
R15341	4-3.11	30	Friction Washer	R15369	4-3.4	21	Cup, Bearing
R15342	4-3.3	31	Dust Shield	R15369	4-3.8	21	Cup, Bearing
R15342	4-3.11	31	Dust Shield	R15369	4-3.12	21	Cup, Bearing
R15343	4-3.11	32	Flange	R15370	4-3.4		Cone, Bearing
R15344	4-3.3	33	Filter	R15370	4-3.8		Cone, Bearing
R15344	4-3.11	33	Filter	R15370	4-3.12		Cone, Bearing
R15345	4-3.3	34	Adaptor	R15371	4-3.4	22	Seal
R15345	4-3.11	34	Adaptor	R15371	4-3.8	22	Seal
R15346	4-3.3	35	Ring	R15371	4-3.12	22	Seal
R15346	4-3.11	35	Ring	R15372	4-3.4	23	Bolt
R15347	4-3.3	36	Adaptor	R15372	4-3.8	23	Bolt
R15347	4-3.11	36	Adaptor	R15372	4-3.12	23	Bolt
R15348	4-3.3	37	O-Ring	R15373	4-3.4	24	Washer
R15348	4-3.11	37	O-Ring	R15373	4-3.8	24	Washer
R15349	4-3.4	1	Stud	R15373	4-3.12	24	Washer
R15349	4-3.8	1	Stud	R15374	4-3.4	25	Spindle
R15349	4-3.12	1	Stud	R15374	4-3.8	25	Spindle
R15351	4-3.4	3	Hub	R15374	4-3.12	25	Spindle
R15351	4-3.8	3	Hub	R15375	4-3.4	26	Seal
R15351	4-3.12	3	Hub	R15375	4-3.8	26	Seal
R15352	4-3.4	4	Cup, Bearing	R15375	4-3.12	26	Seal
R15352	4-3.8	4	Cup, Bearing	R15376	4-3.4	27	Axle Shaft

Part No.	Page.	Item	Description	Part No.	Page.	Item	Description
R15376	4-3.8	27	Axle Shaft	R15549	7-1.3	44	Plate, RH Cover
R15376	4-3.12	27	Axle Shaft	R15550	7-1.3	45	Plate, LH Cover
R15377	4-3.7	1	Bolt	R15551	7-1.3	8	Hood
R15378	4-3.7	2	Washer	R15552	2-2.3	8	Bracket
R15379	4-3.7	3	Differential Case	R15554	2-2.3	3	Cable
R15381	4-3.7	8	Bolt	R15557	2-4.2	27	Hose, Fuel
R15382	4-3.7	9	Bolt	R15557	2-4.3	27	Hose
R15384	1-1.2	1	Fairlead	R15560	9-1.16		Hydraulic Tank Assembly
R1539058	4-1.30	2	Strap, Tie	R15560	9-1.13	1	Hydraulic Tank Assembly
R1539058	8-3.3	36	Strap, Tie	R15560	9-1.12	1	Hydraulic Tank Assembly
R15393	4-3.11	26	Bevel Gear Set	R15561	2-2.3	4	Clamp
R15395	9-1.16	22	Seal	R15562	9-1.13	45	Check Valve
R15404	5-1.3	56	Tube	R15563	9-1.13	14	Tube Assembly
R15404	5-1.5	56	Tube	R15564	9-1.13	15	Tube Assembly
R15417	6-1.1	37	Spring	R15567	9-1.13	46	Tube Assembly
R15417	6-1.3	37	Spring	R15571	2-5.4	6	Exhaust Bracket
R15418	6-1.1	41	Rod	R15572	6-2.1	A	Inlet Section
R15418	6-1.3	41	Rod	R15575	6-2.1	11	Plug
R15420	6-1.1	4	Steering Wheel	R15575	6-2.1	31	Plug
R15420	6-1.3	4	Steering Wheel	R15575	6-2.2	11	Plug
R15424	5-2.4		Seal Kit	R15575	6-2.2	31	Plug
R15427	2-3.1	12	Fitting	R15576	6-2.1	B	Steering Section
R15427	4-3.1	19	Fitting	R15576	6-2.2	B	Steering Section
R15430	2-1.1	30	Engine, 154 hp	R15577	6-2.1	C	Outlet Section
R15433	4-2.1		Driveline Assembly	R15577	6-2.2	C	Outlet Section
R15433	4-2.3		Driveline	R15578	6-2.1	33	Stud Assembly
R15460	4-1.33		Tube	R15578	6-2.2	33	Stud Assembly
R15460	4-1.35	36	Tube	R15579	3-1.8	92	Nut
R15463	2-1.1		Bracket, RH	R15583	6-1.3	7	Steering Mount
R15466	2-5.4	1	Exhaust Tube	R15585	6-1.3	13	Bracket
R15466	2-5.5	1	Exhaust Tube	R1558644	2-4.1	14	Cap, Fuel
R15473	3-1.5	61	Wiring Harness	R1558644	2-4.2	14	Cap, Fuel
R15474	6-2.1		Steering Hydraulic Valve	R15592	5-1.3	36	Valve Manifold
R15474	6-1.1	28	Valve	R15592	5-1.5	36	Valve Manifold
R15474	6-1.3	28	Valve	R15592	5-2.4		Brake and Differential Lock Manifold
R15486	6-1.1	30	Plate	R15594	4-1.33		Cap
R15486	6-1.3	30	Plate	R15594	4-1.35	37	Cap
R15487	6-1.1	29	Bracket	R15595	2-2.1	11	Pedal
R15489	8-3.1		Wire Harness	R15612	8-3.8	1	Head Rest
R15490	8-3.10		Wire Harness, Cab	R15613	8-3.8	2	Backrest Assembly
R15490	3-1.7	11	Wire Harness, Cab	R15614	8-3.8	4	Cushion, Back
R15492	2-4.3		Filter Element	R15615	8-3.8	5	Cushion, Seat
R15492	9-5.2	3	Element w/O-Ring	R15616	8-3.8	6	Arm Rest, RH
R15493	6-1.1	33	Link	R15617	8-3.8	7	Arm Rest, LH
R15493	6-1.3	33	Link	R15618	8-3.8	8	Slide Rail Kit
R15494	2-1.1		Bracket, LH	R15619	8-3.9	9	Bellows Kit
R15497	2-7.1	1B	Clamp, Tank	R15620	8-3.9	10	Shock Absorber, Heavy Duty
R15497	8-3.3		Clamp	R15621	8-3.9	11	Tether Kit
R15501	8-3.1		Motor & Drive	R15622	8-3.9	13	Lower Suspension
R15510	3-1.5	68	Diode Assembly	R15623	8-3.9	14	Shock Absorber Kit
R15511	4-1.40		Wire Harness, Declutch	R15627	9-3.1		Mounting Plate
R15512	2-7.1	3	Symbol, Ether Start	R15633	9-3.1		Hyd Control Valve Installation
R15514	2-2.1	19	Lever Arm	R15633	9-1.3		Hydraulic Valve Assembly
R15516	5-2.4	10	Relief Plug	R15633	9-1.7	1	Hydraulic Valve Assembly
R15524	2-4.2	18	Fuel Tank	R15633	9-1.9	1	Hydraulic Valve Assembly
R15532	2-5.1		Bellows	R15634	2-1.1		Engine, 174 hp
R15534	6-2.1	10	Backup Ring	R15637	2-1.1		Engine, 154 hp
R15534	6-2.2	10	Backup Ring	R15651	9-3.6		Winch Control Valve
R15539	7-1.3	2	Cowl	R15653	4-3.14	15	Solenoid Valve
R15540	3-1.3	23	Alternator Cable	R15653	4-3.15		Differential Lock Solenoid Valve
R15542	2-7.1	1	Quick Start Kit, 24V	R15655	4-3.14	17	Hose Assembly
R15543	9-6.2		Accumulator	R15657	4-3.14	21	Plate
R15543	9-1.3		Accumulator	R15658	9-1.11	18	Valve Assembly
R15543	9-1.7	6	Accumulator	R15658	9-3.6		Hyd Control Valve Installation
R15543	9-1.9	6	Accumulator	R15659	4-2.4		Driveline
R15544	2-2.1	16	Cable	R15659	4-2.1		Driveline Assembly
R15544	2-2.1	16	Cable	R1566888	6-2.1	18	Bolt
R15546	3-1.3	24	Battery Cable	R1566888	6-2.2	18	Bolt
R15548	2-2.1	23	Throttle Bracket	R15669	4-3.15	2	Coil

Part No.	Page.	Item	Description	Part No.	Page.	Item	Description
R15669	4-3.15	4	Seal Kit	R17815	2-6.2	8	Baffle
R15674	9-6.2	2	Hydraulic End Cap	R17817	2-6.2	10	Bracket
R15675	9-6.2	3	Gas End Cap	R17819	2-6.2	13	Bar
R15676	9-6.2	4	Piston	R17820	2-6.2	14	Bar
R15678	9-6.2		Service Kit	R17829	2-6.2	2	Shroud
R15688	9-1.7	30	Tube Assembly	R18021	2-6.2	9	Bracket
R15688	9-1.9	30	Tube Assembly	R1811441	8-3.1	7	Kit, Slave Pivot
R1573309	9-4.2	2	Bearing	R18174	2-6.2	17	Tube
R1573309	1-1.1	3	Bearing	R18227	2-5.5	14	Plate, Side
R1573309	7-1.4	3	Bearing	R18228	2-5.5	15	Plate, Top
R1573309	7-1.5	3	Bearing	R18274	2-5.5	6	Exhaust Tip
R1574466	1-4.1	6	Bearing	R18278	2-5.5	2	Muffler
R1574466	9-4.1	20	Bushing	R18383	4-3.7	10	Bolt
R1574466	1-1.1	12	Bearing	R18391	2-6.2	18	Tube
R1574466	1-2.1	6	Bearing	R18392	2-6.2	25	Tube
R1574466	1-2.1	7	Bearing	R18450	2-6.2	30	Baffle
R1574466	1-4.5	9	Bearing	R18551	2-6.2	5	Hose
R1574466	6-2.3	5	Bearing	R189007	8-2.2	13	Cap screw
R1574466	7-1.7	22	Bearing	R1900168	1-2.1	2	Washer
R1574466	7-1.8	22	Bearing	R1900194	1-1.1	18	Shaft, Fairlead
R15859	8-3.4		Switch	R1901550	1-1.2	4A	Roller, 2 Bearing
R15935	8-2.2		Light Assembly	R1901550	1-1.1	20A	Roller, 2 Bearing
R15937	1-1.1	20B	Roller, 4 Bearing	R1902877	1-1.2	5	Snap Ring
R15937	1-1.2	4B	Roller, 4 Bearing	R1902877	1-1.1	19	Ring, Snap
R15943	3-1.4	1	Wire Harness	R1903262	1-1.1	6	Pin
R15944	3-1.4	12	Wire Harness	R1903679	7-1.6	2	Steer Stop
R15945	3-1.4	11	Wire Harness	R1903679	7-1.7	2	Steer Stop
R15946	3-1.4	10	Wire Harness	R1903679	7-1.8	2	Steer Stop
R15947	3-1.4	9	Wire Harness	R1903680	7-1.6	3	Spacer
R16001	4-2.1		Driveline Assembly	R1903680	7-1.7	3	Spacer
R16001	4-2.3		Driveline	R1903680	7-1.8	3	Spacer
R16052	1-1.2	7	Bearing	R1903717	1-1.1	16	Main Roller
R1610636	4-1.30	10	Bearing	R1905013	3-1.1	28	Ground Cable
R16199	7-1.8	1	Frame	R1905013	3-1.3	18	Ground Cable
R16216	9-1.3		Clamp	R1905176	1-4.1	5	Shim
R16216	9-1.7	7	Clamp	R1905176	1-1.1	4	Shim
R16216	9-1.9	7	Clamp	R1906697	9-1.3	16	Plug
R16219	4-2.2		Driveline - Rear Axle	R1906697	9-1.5	18	Plug
R16219	4-2.1		Driveline Assembly	R1906697	9-1.7	18	Plug
R16404	7-1.7	1	Frame	R1906697	9-1.9	18	Plug
R16483	1-4.3		Service Kit	R1917921	9-1.16	4	Filler Cap
R16727	2-4.3	48	Roller	R1920223	6-2.3	9	Washer
R16850	2-4.3	33	Filter Assembly	R1920461	1-2.1	4	Pin
R16920	9-3.3	23	Decal	R1920497	5-1.3	52	Bar
R16938	9-3.3	24	Decal	R1920497	5-1.5	52	Bar
R17038	8-3.3	41	Decal	R1921221	2-1.1	6	Mount
R17103	5-1.5	62	Bracket	R1922486	2-1.1	14	Plate
R17184	2-5.5	13	Bar	R1922638	7-1.4	8	Retainer
R17278	9-3.3	10	Spool Extention Rod	R1922638	7-1.5	8	Retainer
R1736910	2-4.3	15	Strap,Tie	R1922640	7-1.4	20	Sleeve
R1736910	5-1.3	13	Tie Strap	R1922640	7-1.5	18	Sleeve
R1736910	5-1.5	13	Tie Strap	R1922643	7-1.4	14	End Plate
R1736910	8-3.3	32	Strap, Tie	R1922643	7-1.5	14	End Plate
R1736910	2-4.1	15	Strap, Tie	R1922644	7-1.4	2	Sleeve
R1736910	2-4.2	15	Strap, Tie	R1922644	7-1.5	2	Sleeve
R1736910	3-1.1	25	Strap, Tie	R1922646	7-1.4	5	Wear Ring
R1736910	3-1.3	16	Strap, Tie	R1922646	7-1.5	5	Wear Ring
R17500	2-5.4	1	Muffler	R1923916	7-1.4	12	Pin
R17500	2-5.4	2	Muffler	R1923916	7-1.5	12	Pin
R17592	5-1.5		Service Kit P/N	R1923922	7-1.4	7	Bearing
R17593	5-1.5	64	Bracket	R1923922	7-1.5	7	Bearing
R17613	9-3.3	5	Lever	R1927298	1-4.5	5	Pin Assembly
R17615	1-4.2	39	Lock Collar	R1927402	1-4.5	16	Hose Assembly
R17639	9-3.3	1	Lever Mount	R1927821	5-2.6		Hydraulic Brake Assembly
R17666	9-3.3	16	Plate	R1927821	5-1.3	51	Brake
R17743	9-1.9	69	Kit, Control Levers	R1927821	5-1.5	51	Brake
R17743	9-3.3		Kit, Control Levers	R1928727	1-4.5	3	Bush
R17745	9-3.3	15	Console Plate	R1928742	7-1.6	26	Spacer
R17775	2-4.3	18	Fuel Tank	R1928742	7-1.7	26	Spacer

Part No.	Page.	Item	Description	Part No.	Page.	Item	Description
R1928742	7-1.8	26	Spacer	R1937747	4-2.5		Driveline - Transto Winch
R1928772	1-1.1	5	Washer	R1937747	1-5.1	11	Driveline Assembly
R1928772	6-2.3	6	Washer	R1937808	1-4.5	42	Disc
R1928874	1-1.1	24	Bar	R1937808	1-4.5	28	Disc, Snub
R1929342	4-2.1	7	Yoke	R1937838	1-2.1	1	Blade Assembly
R1929491	4-2.1	8	Washer	R1937889	1-1.2	3	Shaft
R1929492	4-2.1	9	Nut	R1937917	7-1.1	31	Cover
R1930168	5-2.3	17	Lever	R1937917	7-1.3	31	Cover
R1930615	4-1.33	10	Filter Assembly	R1937933	1-4.2	10	Main Shaft
R1930615	4-1.35	10	Filter Assembly	R1937934	1-4.2	7	Bearing/Cone Assembly
R1931189	7-1.1	17	Knob	R1937935	1-4.5	45	Spring
R1931189	7-1.3	17	Knob	R1937935	1-4.5	30	Spring,Disc
R1931313	1-1.1	21	Cover	R1937936	1-4.2	9	Seal
R1931719	1-4.5	19	Cylinder Base Cover	R1937938	1-4.2	8	Plate, Spacer
R1931720	2-3.1	6	Fitting	R1937940	1-4.5	44	Snubber
R1931736	1-4.5	20	Spacer	R1937940	1-4.5	29	Snubber
R1932401	7-1.1	25	Bracket	R1937941	1-4.5	43	Snubber
R1932401	7-1.3	25	Bracket	R1937941	1-4.5	26	Snubber
R1932801	7-1.1	23	Grille	R1937942	1-4.5	37	Bearing
R1932802	7-1.1	24	P Strap	R1937942	1-4.5	23	Bearing
R1932802	7-1.3	24	P Strap	R1937943	1-4.5	50	Washer
R1932903	7-1.3	23	Grille	R1937947	1-4.5	39	Pin
R1932931	1-4.5	41	Bushing	R1937947	1-4.5	24	Pin
R1932931	1-4.5	27	Bush	R1938080	1-1.1	15	Arch Assembly
R1932932	1-4.5	38	Roll Pin	R1938112	1-4.5	1	Grapple Box Assembly
R1932932	1-4.5	25	Pin, Roll	R1938151	1-4.5	40	Plate
R1933493	1-2.1		Blade Extension Kit	R1938151	1-4.5	33	Plate Wldmt
R1933522	9-3.3	17	Bellows	R1938169	4-2.1	10	Bearing/Seal Assembly
R1933522	9-1.3	32	Bellows	R1938184	2-1.1	11	Engine Mount
R1933522	9-1.5	45	Bellows	R1938201	2-6.1	1	Rear Shroud
R1933522	9-1.7	45	Bellows	R1938205	2-6.2	4	Tube
R1933522	9-1.9	45	Bellows	R1938205	2-6.1	10	Tube
R1934258	2-1.1	8	Engine Mount	R1938216	1-4.5	4	Shim
R1934875	1-4.2	22	Sprocket, Drive	R1938350	2-2.1	8	Bracket
R1935097	4-1.1	3	Transmission Mount, RH Rear	R1938397	6-3.1	1	Frame Lock
R1935098	4-1.1	1	Transmission Mount, RH Front	R1938458	6-1.1	31	Bearing
R1935133	5-2.3	21	Bracket	R1938458	6-1.3	31	Bearing
R1935185	7-1.1	28	Plate	R1938557	2-3.1	2	Hose Assembly
R1935185	7-1.3	28	Plate	R1938847	9-1.3	52	Fitting
R1935206	2-4.1	16	Hose Assembly	R1938847	9-1.5	33	Fitting
R1935249	4-1.30	8	Link	R1938847	9-1.7	33	Fitting
R1935313	9-1.3	81	Spacer	R1938847	9-1.9	33	Fitting
R1935313	9-1.5	81	Spacer	R1938882	3-1.8	89	Bushing
R1935313	9-1.7	81	Spacer	R1938952	1-1.2	8	Roller
R1935313	9-1.9	81	Spacer	R1938953	1-1.2	9	Shaft
R1935327	3-1.1	29	Spacer	R1938954	1-1.2	2	Bearing
R1935327	3-1.3	19	Spacer	R1939109	2-5.1	14	Pre Cleaner
R1935436	1-4.5	47	Nut	R1939109	2-5.3		Air Pre-Clean Intake Cap
R1935436	1-4.5	31	Nut, Hex	R1939241	2-6.1	26	Foam Strip
R1935453	1-1.1	17	Bearing	R1939241	2-6.2	42	Foam Strip
R1935454	1-4.2	18	Chain	R1939280	1-1.2	13	Washer
R1936529	2-1.1	5	Washer	R1939296	1-4.1	4	Pin
R1937203	7-1.1	32	Cover	R1939323	7-1.1	40	Bumper
R1937203	7-1.3	32	Cover	R1939323	7-1.3	40	Bumper
R1937203	7-1.6	6	Cover	R1939324	7-1.1	22	Bumper
R1937203	7-1.7	6	Cover	R1939324	7-1.3	22	Bumper
R1937203	7-1.8	6	Cover	R1939327	7-1.1	18	Washer
R1937212	1-1.1	23	Cover Assembly	R1939327	7-1.3	18	Washer
R1937488	7-1.4	16	Shim	R1939692	2-4.1	66	Fitting
R1937488	7-1.5	16	Shim	R1939692	2-4.2	66	Fitting
R1937489	7-1.4	17	Shim	R1939857	8-3.3	27	Bracket
R1937489	7-1.5	17	Shim	R1990957	4-2.2	4	Washer
R1937538	2-3.1	5	Clip	R1991211	5-2.6	4	Lining
R1937538	3-1.1	20	Clip	R1991324	5-2.6	6	Pin
R1937684	4-1.33	23	Hose End	R1991325	5-2.6	7	Spring
R1937684	4-1.35	23	Hose End	R1991327	5-2.6	11	Plate
R1937742	1-4.2	23	Hydraulic Motor	R1991856	2-5.2	3	Wing Nut
R1937742	9-2.3		Hydraulic Motor	R1991857	2-5.2	1	Wing Nut
R1937747	4-2.1	30	Driveline Assembly	R1991882	2-5.3	1	Wing Nut



Part No.	Page.	Item	Description	Part No.	Page.	Item	Description
R1991925	9-2.1	1	Seal	R206864	4-1.37	36	Oil Seal
R1992007	5-2.6	2	Piston	R207647	4-1.37	88	Stud
R1992008	5-2.6	3	Seal	R208768	4-1.21	31	Ring
R1992011	5-2.6	10	Grip	R208820	4-1.13	29	Piston Cup
R1992038	4-2.5	4	Washer	R208820	4-1.27	29	Piston Cup
R1992084	9-2.3	10	Drive	R214118	4-1.4	4	Pin
R1992088	9-2.3	16	Spring	R214118	4-1.18	4	Pin
R1992095	9-2.3	1	Exclusion Seal	R214337	1-4.3	5	Snap Ring
R1992096	9-2.3	3	Seal	R214730	4-1.37	39	Stud
R1992098	9-2.3	6	Seal	R214924	4-1.37	68	Turbine Hub
R1992100	9-2.3	21	Seal - Inner	R214929	4-1.37	16	Washer
R1992102	9-2.3	15	Pin	R214930	4-1.37	11	Spacer
R1992104	9-2.3	19	Plug	R214931	4-1.37	9	Gear
R1992156	4-1.33		Filter Element	R214936	4-1.37	10	Bearing
R1992156	4-1.35		Filter Element	R214943	4-1.37	7	Valve, Pressure Reg
R1992366	2-4.3	46	Filter, Primary	R214943	4-1.38	1	Regulator Valve Assembly.
R1992367	2-4.3	47	Filter, Secondary	R214946	4-1.38	8	Safety Valve Seat
R1992407	9-2.3	20	Back-up Ring	R214949	4-1.38	11	Gasket
R1992478	9-2.3	2	Bearing Housing	R214951	4-1.37	53	Gear
R1992479	9-2.3	5	Shaft and Bearing Kit	R214953	4-1.37	43	Snap Ring
R1992480	9-2.3	7	Wear Plate	R214954	4-1.37	13	Snap Ring
R1992481	9-2.3	8	Shaft	R214956	4-1.37	12	Bearing
R1992482	9-2.3	9	Plate	R214962	4-1.37	18	Sleeve
R1992483	9-2.3	11	Plate	R214974	4-1.37	30	Retainer
R1992484	9-2.3	12	Valve	R214980	4-1.37	1	Converter Housing
R1992485	9-2.3	13	Ring	R214983	4-1.37	46	Shaft
R1992486	9-2.3	14	Seal - Outer	R214984	4-1.37	41	Spacer
R1992487	9-2.3	18	Bolt	R214987	4-1.37	40	Flange
R1992488	9-2.3	17	Valve Housing	R214988	4-1.37	75	Bearing
R1992489	9-2.3		Seal Kit	R215190	4-1.5	8	Ring
R1992533	6-2.1	19	Cap	R215190	4-1.5	22	Retaining Ring
R1992533	6-2.2	19	Cap	R215190	4-1.6	24	Ring
R1992534	6-2.1	16	Guide	R215190	4-1.6	38	Retainer Ring
R1992534	6-2.2	16	Guide	R215190	4-1.7	1	Ring
R1992538	6-2.1	20	Retainer	R215190	4-1.19	10	Ring
R1992538	6-2.2	20	Retainer	R215190	4-1.19	24	Retaining Ring
R1992539	6-2.1	15	Backup Ring	R215190	4-1.20	28	Ring
R1992539	6-2.2	15	Backup Ring	R215190	4-1.20	42	Retainer Ring
R1992564	4-2.5	3	Yoke Assembly	R215190	4-1.21	8	Ring
R1992567	4-2.5	8	Propshaft	R215196	4-1.13	26	Valve Assembly
R1992594	2-4.1	65	Filter, Fuel	R215196	4-1.27	26	Valve Assembly
R1992594	2-4.2	65	Filter, Fuel	R215199	4-1.13	30	Spacer
R1992605	6-2.1	17	Return Spring	R215199	4-1.27	30	Spacer
R1992605	6-2.2	17	Return Spring	R215200	4-1.13	27	Plug
R1992607	6-2.1	22	Spring	R215200	4-1.27	27	Plug
R1992607	6-2.2	22	Spring	R215634	4-1.23	31	Nut
R1992608	6-2.1	21	Poppet	R215757	4-1.4	15	Plug
R1992608	6-2.2	21	Poppet	R215757	4-1.18	15	Plug
R1992630	2-6.5	12	Side, RH	R216058	1-5.3	23	Nut
R1992631	2-6.5	3	Side, LH	R216058	4-1.3	41	Nut
R1992643	4-1.15	16	P.T.OShaft	R216058	4-1.17	41	Nut
R1992643	4-1.29	16	P.T.OShaft	R216058	4-1.37	35	Nut
R1992651	4-1.11	33	Bleed Screw	R216085	4-1.15	20	Nut
R1992651	4-1.25	33	Bleed Screw	R216085	4-1.29	20	Nut
R1992656	4-2.4	1	U-Joint Assembly	R217657	4-1.13	3	Washer
R200991	4-1.4	11	Stud	R217657	4-1.13	23	Washer
R200991	4-1.18	14	Stud	R217657	4-1.27	3	Washer
R201607	4-1.11	60	Lockwasher	R217657	4-1.27	23	Washer
R201607	4-1.25	60	Lockwasher	R219368	4-1.37	85	Adapter, Pump
R2020631	3-1.8	44	Switch	R219370	4-1.3	29	Plug
R2020632	3-1.8	43	Plate	R219370	4-1.17	29	Plug
R202200	4-1.13	6	Spring	R220079	4-1.7	11	Piston Ring
R202200	4-1.13	7	Spring	R220079	4-1.7	12	Piston Ring
R202200	4-1.13	17	Spring	R220983	4-1.38	2	Valve Stop
R202200	4-1.27	6	Spring	R222006	4-1.37	79	Sleeve
R202200	4-1.27	7	Spring	R222079	4-1.37	45	Piston Ring
R202200	4-1.27	17	Spring	R222312	4-1.38	13	Spring
R206864	4-1.15	12	Seal Oil	R222318	4-1.38	14	Plunger
R206864	4-1.29	12	Seal Oil	R223386	4-1.22	2	Bearing

Part No.	Page.	Item	Description	Part No.	Page.	Item	Description
R223862	4-1.15	13	Retaining Ring	R230860	4-1.19	38	Bearing
R223862	4-1.29	13	Retaining Ring	R230871	4-1.5	44	Gear
R223874	4-1.5	37	Ring	R230886	4-1.7	33	Bearing
R223874	4-1.5	40	Snap Ring	R230886	4-1.21	20	Bearing
R223874	4-1.19	39	Ring	R230888	4-1.7	24	Snap Ring
R223874	4-1.19	42	Snap Ring	R230888	4-1.7	31	Retaining Ring
R223881	4-1.5	6	Retaining Ring	R230888	4-1.22	1	Retaining Ring
R223881	4-1.5	29	Snap Ring	R230900	4-1.4	3	Tube
R223881	4-1.6	7	Snap Ring	R230900	4-1.18	3	Tube
R223881	4-1.6	9	Snap Ring	R230906	4-1.5	39	Spacer
R223881	4-1.15	15	Ring	R230906	4-1.19	41	Spacer
R223881	4-1.19	8	Retaining Ring	R230921	4-1.4	36	Washer
R223881	4-1.19	31	Snap Ring	R230921	4-1.18	36	Washer
R223881	4-1.20	9	Snap Ring	R230952	4-1.22	6	Ring
R223881	4-1.20	11	Snap Ring	R230968	4-1.7	9	Bearing
R223881	4-1.29	15	Ring	R231034	4-1.11	43	Spring
R223925	4-1.15	3	Ring	R231034	4-1.25	43	Spring
R223925	4-1.29	3	Ring	R231048	4-1.3	9	Clip
R224009	4-1.37	52	Snap Ring	R231048	4-1.17	9	Clip
R224026	4-1.3	22	Snap Ring	R231055	4-1.11	20	Pin
R224026	4-1.17	22	Snap Ring	R231055	4-1.25	20	Pin
R224039	4-1.37	15	Snap Ring	R231155	4-1.13	36	Spool
R224065	4-1.8	5	Snap Ring	R231155	4-1.27	36	Spool
R224106	4-1.5	43	Retaining Ring	R231158	4-1.13	4	Spool
R224106	4-1.19	45	Retaining Ring	R231158	4-1.27	4	Spool
R224368	4-1.38	6	Valve Spring - Inner	R231164	4-1.13	37	Spring
R224369	4-1.38	5	Valve Spring - Outer	R231164	4-1.27	37	Spring
R224466	4-1.38	7	Valve Piston	R231176	4-1.7	14	Bearing Cap
R224771	4-1.5	13	Outer Seal	R231193	4-1.7	13	Gasket
R224771	4-1.5	17	Outer Seal	R231194	4-1.7	8	Shaft Assembly
R224771	4-1.6	29	Seal	R231229	4-1.7	28	Gear
R224771	4-1.6	33	Clutch Piston Outer Seal	R231405	4-1.9	7	Spacer
R224771	4-1.7	6	Seal	R231406	4-1.9	8	Output Shaft
R224771	4-1.19	15	Outer Seal	R231553	1-5.3	21	Yoke
R224771	4-1.19	19	Outer Seal	R231553	4-1.3	38	Flange
R224771	4-1.20	33	Seal	R231553	4-1.15	17	Yoke
R224771	4-1.20	37	Clutch Piston Outer Seal	R231553	4-1.17	38	Flange
R224771	4-1.21	3	Seal	R231553	4-1.29	17	Yoke
R224774	4-1.5	9	End Plate	R231606	4-1.3	35	Gasket
R224774	4-1.6	25	End Plate	R231606	4-1.17	35	Gasket
R224774	4-1.7	2	End Plate	R231606	4-1.17	42	Gasket
R224774	4-1.21	7	End Plate	R231611	4-1.4	20	Transmission Case Assembly
R225603	4-1.3	3	Bearing	R231611	4-1.18	18	Transmission Case Assembly
R225603	4-1.5	3	Bearing	R231624	4-1.15	9	Race and Roller Assembly
R225603	4-1.17	3	Bearing	R231624	4-1.15	11	Race and Roller Assembly
R225823	4-1.9	15	Oil Seal	R231624	4-1.29	9	Race and Roller Assembly
R227881	4-1.11	47	Cup	R231624	4-1.29	11	Race and Roller Assembly
R227881	4-1.25	47	Cup	R231628	4-1.3	13	Tube Assembly
R228931	4-1.13	34	Seal	R231628	4-1.17	13	Tube Assembly
R228931	4-1.27	34	Seal	R231629	4-1.3	8	Tube Assembly
R229566	4-1.37	64	Spacer	R231629	4-1.17	8	Tube Assembly
R230822	4-1.5	32	Spring	R231636	4-1.15	5	Shaft
R230822	4-1.6	22	Spring	R231636	4-1.29	5	Shaft
R230822	4-1.7	20	Spring	R231639	4-1.11	6	Nut
R230822	4-1.19	34	Spring	R231639	4-1.25	6	Nut
R230822	4-1.20	26	Spring	R231646	4-1.8	7	Bearing
R230851	4-1.3	16	Lock	R231693	4-1.11	14	Housing
R230851	4-1.17	16	Lock	R231693	4-1.25	14	Housing
R230857	4-1.5	14	Seal	R231695	4-1.8	4	Shaft
R230857	4-1.5	16	InnerSeal	R231699	4-1.11	22	Plate
R230857	4-1.6	30	Seal	R231699	4-1.25	22	Plate
R230857	4-1.6	32	Clutch Piston Inner Seal	R231701	4-1.11	26	Ring
R230857	4-1.7	7	Seal	R231701	4-1.25	26	Ring
R230857	4-1.19	16	Inner Seal	R231703	4-1.11	55	Shaft
R230857	4-1.19	18	InnerSeal	R231703	4-1.25	55	Shaft
R230857	4-1.20	34	Seal	R231705	4-1.11	38	Screw
R230857	4-1.20	36	Clutch Piston Inner Seal	R231705	4-1.25	38	Screw
R230857	4-1.21	2	Seal	R231708	4-1.11	27	Seal
R230860	4-1.5	36	Bearing	R231708	4-1.25	27	Seal

Part No.	Page.	Item	Description	Part No.	Page.	Item	Description
R231709	4-1.11	36	Washer	R234834	4-1.25	21	Spring
R231709	4-1.25	36	Washer	R234836	4-1.4	24	Tube
R231751	4-1.11	54	Plug	R234836	4-1.18	34	Tube
R231751	4-1.25	54	Plug	R234864	4-1.15	8	Shaft
R231775	4-1.21	19	End Plate	R234864	4-1.29	8	Shaft
R231779	4-1.21	18	Bearing	R235058	4-1.13	15	Plug
R231780	4-1.21	14	Bearing	R235058	4-1.27	15	Plug
R231782	4-1.3	19	Shaft	R235061	4-1.13	16	Washer
R231782	4-1.17	19	Shaft	R235061	4-1.27	16	Washer
R231817	4-1.9	27	Bearing Cap	R235262	4-1.37	96	Pump Sleeve
R231818	4-1.9	2	Bearing Cap	R235435	4-1.11	59	Yoke
R231818	4-1.23	2	Bearing Cap	R235435	4-1.25	59	Yoke
R231839	4-1.13	13	Spacer	R2354558	7-1.1	27	Washer
R231839	4-1.27	13	Spacer	R2354558	7-1.3	27	Washer
R231840	4-1.13	22	Spacer	R235961	4-1.37	19	Gasket
R231840	4-1.27	22	Spacer	R235961	4-1.37	80	Gasket
R231848	4-1.9	3	Shim - .004 in.	R235961	4-1.37	84	Gasket
R231848	4-1.23	3	Shim - .004 in.	R236810	4-1.5	21	End Plate
R231849	4-1.9	3A	Shim - .007 in.	R236810	4-1.6	37	End Plate
R231849	4-1.23	3A	Shim - .007 in.	R236810	4-1.19	23	End Plate
R231850	4-1.9	3B	Shim - .010 in.	R236810	4-1.20	41	End Plate
R231850	4-1.23	3B	Shim - .010 in.	R236821	4-1.3	37	Spacer
R231851	4-1.9	3C	Shim - .020 in.	R236821	4-1.17	37	Spacer
R231851	4-1.23	3C	Shim - .020 in.	R236823	4-1.3	36	Dowel Pin
R231878	4-1.23	27	Bearing Cap	R236823	4-1.17	36	Dowel Pin
R231884	4-1.23	1	Oil Seal	R236892	4-1.11	23	Piston
R231884	4-1.23	15	Oil Seal	R236892	4-1.25	23	Piston
R231909	4-1.37	97	Pump Sleeve	R236893	4-1.11	45	Piston
R231916	4-1.23	30	Washer	R236893	4-1.25	45	Piston
R232076	4-1.21	11	Retaining Ring	R236937	4-1.37	89	Backing Plate
R232081	4-1.7	10	Retaining Ring	R237003	4-1.21	23	Plate
R232088	4-1.5	31	Retainer	R237083	4-1.14	1	Plug
R232088	4-1.6	23	Retainer	R237083	4-1.28	1	Plug
R232088	4-1.19	33	Retainer	R237084	4-1.14	5	Pin
R232088	4-1.20	27	Retainer	R237084	4-1.28	5	Pin
R232089	4-1.5	33	Retainer	R237122	4-1.6	31	Shaft & Plug Assembly
R232089	4-1.6	21	Retainer	R237127	4-1.5	15	Shaft and Hub Assembly
R232089	4-1.19	35	Retainer	R237230	4-1.37	59	Impeller
R232089	4-1.20	25	Retainer	R237232	4-1.37	61	Hub
R232313	4-1.5	45	Gear	R237233	4-1.37	57	Screw
R232313	4-1.19	47	Gear	R237234	4-1.37	58	Backing Ring
R233125	4-1.38	10	Screw, Lockwasher	R237242	4-1.37	51	Ring
R233128	4-1.37	21	Capscrew	R237243	4-1.37	50	Spring
R233128	4-1.37	77	Capscrew	R237275	4-1.13	31	Pin
R233390	4-1.5	41	Bearing	R237275	4-1.27	31	Pin
R233390	4-1.19	43	Bearing	R237331	4-1.11	50	Back-up Ring
R233488	4-1.5	5	Bearing	R237331	4-1.25	50	Back-up Ring
R233488	4-1.6	6	Bearing	R237405	4-1.37	47	Support
R233488	4-1.15	14	Bearing	R237548	4-1.37	14	Drive Shaft
R233488	4-1.19	7	Bearing	R237572	4-1.37	65	Reaction Member
R233488	4-1.20	8	Bearing	R237576	4-1.3	15	Sleeve
R233488	4-1.29	14	Bearing	R237576	4-1.17	15	Sleeve
R233534	4-1.11	7	Screw	R237698	4-1.13	33	Seal
R233534	4-1.25	7	Screw	R237698	4-1.27	33	Seal
R233598	4-1.37	95	Breather	R237749	4-1.11	4	Hub
R233652	4-1.9	28	Gear	R238116	4-1.39	10	Gasket
R233656	4-1.8	6	Gear	R238124	4-1.39	7	Thrust Plate and Bearing Assembly
R233888	4-1.11	2	Adapter	R238134	4-1.39	13	Shaft Assembly
R233888	4-1.25	2	Adapter	R238135	4-1.37	20	Charging Pump
R233955	4-1.21	26	Bearing Cap	R238135	4-1.39		Charging Pump
R234640	4-1.39	8	Wave Spring	R238136	4-1.39	6	Drive Shaft Assembly
R234643	4-1.39	9	Seal	R238270	4-1.11	42	Stop
R234649	4-1.21	32	Locating Ring	R238270	4-1.25	42	Stop
R234651	4-1.13	1	Oil Seal	R238313	4-1.5	11	Clutch Inner Disc
R234651	4-1.13	25	Oil Seal	R238313	4-1.6	27	Disc, Inner
R234651	4-1.27	1	Oil Seal	R238425	4-1.11	29	Plug
R234651	4-1.27	25	Oil Seal	R238425	4-1.25	29	Plug
R234830	4-1.39	5	Thrust Plate and Bearing Assembly	R238426	4-1.11	57	Seat
R234834	4-1.11	21	Spring	R238426	4-1.25	57	Seat

Part No.	Page.	Item	Description	Part No.	Page.	Item	Description
R238535	4-1.3	14	Breather	R243951	4-1.25	4	Hub
R238535	4-1.17	14	Breather	R244660	4-1.18	6	Cover, Rear
R238705	4-1.37	63	Snap Ring	R244884	4-1.21	21	Bearing
R2388986	2-4.1	68	Fitting	R245205	4-1.19	11	End Plate
R239230	4-1.5	26	Retainer	R245205	4-1.20	29	End Plate
R239230	4-1.5	34	Snap Ring Retainer	R245229	4-1.11	12	Stud
R239230	4-1.6	13	Retainer	R245229	4-1.25	12	Stud
R239230	4-1.6	20	Retainer	R245867	4-1.11	28	Shaft
R239230	4-1.7	22	Snap Ring Retainer	R245867	4-1.25	28	Shaft
R239230	4-1.19	28	Retainer	R245897	4-1.5	12	Clutch Piston
R239230	4-1.19	36	Snap Ring Retainer	R245897	4-1.6	28	Clutch, Piston
R239230	4-1.20	15	Retainer	R245897	4-1.7	5	Clutch Piston
R239230	4-1.20	24	Retainer	R245897	4-1.21	4	Clutch Piston
R239243	4-1.13	20	Plug	R245916	4-1.5	18	Clutch Piston Assembly
R239243	4-1.27	20	Plug	R245916	4-1.6	34	Clutch Piston Assembly
R239493	4-1.11	53	Housing	R245916	4-1.19	20	Clutch Piston Assembly
R239493	4-1.25	53	Housing	R245916	4-1.20	38	Clutch Piston Assembly
R239742	4-1.7	32	Bearing	R246706	4-1.15	10	Gear
R239742	4-1.37	44	Bearing	R246706	4-1.29	10	Gear
R239743	4-1.37	62	Bearing	R246855	4-1.13	49	Plate
R239902	4-1.20	35	Shaft & Plug Assembly	R246855	4-1.27	49	Plate
R239906	4-1.19	17	Shaft and Hub Assembly	R246923	4-1.13	45	Valve Adapter Housing
R239911	4-1.21	12	Ring	R246923	4-1.27	45	Valve Adapter Housing
R239911	4-1.21	17	Ring	R247028	4-1.21	25	Gasket
R239913	4-1.21	9	Spacer	R247029	4-1.23	32	Flange
R239922	4-1.22	4	Bearing Assembly	R247227	4-1.19	14	Clutch Piston
R239932	4-1.23	8	Output Shaft	R247227	4-1.20	32	Clutch, Piston
R239946	4-1.19	5	Bearing	R247274	4-1.5	10	Clutch Outer Disc
R239946	4-1.20	5	Bearing	R247274	4-1.5	20	Outer Disc
R239947	4-1.19	3	End Plate	R247274	4-1.6	26	Disc, Outer
R239947	4-1.20	3	Bearing	R247274	4-1.6	35	Disc, Outer
R239948	4-1.19	44	Bearing	R247274	4-1.7	4	Disc, Outter
R239950	4-1.19	46	Gear	R247274	4-1.19	12	Clutch Outer Disc
R239953	4-1.6	42	Gear	R247274	4-1.19	22	Outer Disc
R239959	4-1.20	44	Gear	R247274	4-1.20	30	Disc, Outer
R239959	4-1.23	28	Gear	R247274	4-1.20	39	Disc, Outer
R239980	4-1.23	7	Spacer	R247274	4-1.21	5	Disc, Outter
R239986	4-1.20	21	Ring	R247487	4-1.20	22	Snap Ring
R240467	4-1.37	69	Turbine	R247655	4-1.5	24	Spring Kit
R240978	4-1.11	44	Spool	R247655	4-1.6	15	Spring Kit
R240978	4-1.25	44	Spool	R247655	4-1.19	26	Spring Kit
R240979	4-1.11	48	Expander	R247655	4-1.20	17	Spring Kit
R240979	4-1.25	48	Expander	R247884	4-1.4	61	Baffle
R241631	4-1.13	21	Spool	R247884	4-1.18	46	Baffle
R241631	4-1.27	21	Spool	R247885	4-1.4	62	Baffle
R241636	4-1.13	14	Control Valve Assembly	R247885	4-1.18	47	Baffle
R241636	4-1.27	14	Control Valve Assembly	R247949	4-1.5	2	Retaining Ring
R241662	4-1.14	3	Spring	R247949	4-1.5	4	Retaining Ring
R241662	4-1.28	3	Spring	R247949	4-1.6	2	Retaining Ring
R241667	4-1.14	4	Spring	R247949	4-1.6	5	Retaining Ring
R241667	4-1.28	4	Spring	R247949	4-1.8	1	Retaining Ring
R241684	4-1.3	20	Bearing	R247949	4-1.19	2	Retaining Ring
R241684	4-1.17	20	Bearing	R247949	4-1.19	6	Retaining Ring
R241917	4-1.7	19	Retainer	R247949	4-1.20	2	Retaining Ring
R242045	4-1.37	70	Backing Ring	R247949	4-1.20	7	Retaining Ring
R242046	4-1.37	71	Screw	R248023	4-1.13	5	Gasket
R242404	4-1.4	6	Cover, Rear	R248023	4-1.27	5	Gasket
R242408	4-1.4	5	Gasket	R248024	4-1.13	48	Gasket
R242408	4-1.18	5	Gasket	R248024	4-1.27	48	Gasket
R242532	4-1.13	9	Switch	R248025	4-1.13	46	Gasket
R242532	4-1.27	9	Switch	R248025	4-1.27	46	Gasket
R243262	4-1.37	66	Snap Ring	R248026	4-1.14	13	Gasket
R243373	4-1.14		Valve	R248026	4-1.28	13	Gasket
R243373	4-1.28		Valve	R248196	4-1.3	21	Gear
R243377	4-1.3	12	Tube Assembly	R248196	4-1.17	21	Gear
R243377	4-1.17	12	Tube Assembly	R248202	4-1.5	46	Gear
R243379	4-1.3	6	Cover Assembly	R248799	4-1.5	19	Inner Disc
R243379	4-1.17	6	Cover Assembly	R248799	4-1.6	36	Disc, Inner
R243937	4-1.22	3	Gear	R248799	4-1.19	13	Clutch Inner Disc

Part No.	Page.	Item	Description	Part No.	Page.	Item	Description
R248799	4-1.19	21	Inner Disc	R4095037	4-1.3	4	Snap Ring
R248799	4-1.20	31	Disc, Inner	R4095037	4-1.8	2	Snap Ring
R248799	4-1.20	40	Disc, Inner	R4095037	4-1.17	2	Snap Ring
R248800	4-1.7	3	Disc, Inner	R4095037	4-1.17	4	Snap Ring
R248800	4-1.21	6	Disc, Inner	R4095201	4-1.11	5	Ring
R249894	4-1.4	60	Rivet	R4095201	4-1.25	5	Ring
R249894	4-1.4	63	Rivet	R4095205	4-1.11	18	Disc
R249894	4-1.18	42	Suction Tube Clip Rivet	R4095205	4-1.25	18	Disc
R250210	9-3.3	18	Machine Screw	R4095206	4-1.11	19	Disc
R250210	9-1.3	35	Machine Screw	R4095206	4-1.25	19	Disc
R250210	9-1.5	47	Machine Screw	R4200080	4-1.11	49	Spring
R250210	9-1.7	47	Machine Screw	R4200080	4-1.25	49	Spring
R250210	9-1.9	47	Machine Screw	R4480388	4-1.39	1	Screw
R2515307	8-2.1	18	Plate	R456294	4-1.39	4	Oil Seal
R2526177	9-4.2	20	Barrel & Base Assembly	R5209870	6-2.1	5	Gasket
R2529808	1-1.1	14	Spacer	R5209870	6-2.1	8	Gasket
R2529808	1-2.1	9	Spacer	R5209870	6-2.2	5	Gasket
R2529808	1-4.5	11	Spacer	R5209870	6-2.2	8	Gasket
R2529808	6-2.3	7	Spacer	R525293	9-1.16	17	Magnet
R2532852	9-4.3	17	Barrel & Base Assembly	R544512	5-2.3	12	Cable Clamp
R2535815	9-4.1	1	Barrel & Base Assembly	R545005	5-2.3	10	Pipe
R2542570	9-4.1		Seal Kit	R550083	8-3.3	16	Nutsert
R2551403	9-4.2		Seal Kit	R550083	8-3.6	10	Nutsert
R2551403	9-4.3		Seal Kit	R552433	8-3.6	18	Shutoff Valve
R2552108	9-4.2	13	Packing Gland	R552914	8-3.11	10	Spacer
R2552108	9-4.3	12	Packing Gland	R552914	5-2.3	2	Spacer
R2552109	9-4.2	17	Retainer, Gland	R552914	6-1.1	3	Spacer
R2552109	9-4.3	15	Retainer, Gland	R552914	6-1.3	3	Spacer
R2552111	9-4.2	1	Stem & Eye Assembly	R565295	2-4.3	24	Plate
R2552113	9-4.2	6	Piston	R565295	2-4.1	24	Plug, Magnetic
R2552113	9-4.3	5	Piston	R565295	2-4.2	24	Plug, Magnetic
R2552115	9-4.2		ParallArch/Boom Cylinder	R569739	2-6.1	13	Mount
R2552115	1-1.1	11	Hydraulic Cylinder Assembly	R569739	2-6.2	34	Mount
R2552116	9-4.1	2	Dowel Pin	R584501	2-4.3	25	Mount
R2552116	9-4.2	3	Dowel Pin	R584501	2-4.1	25	Mount
R2552116	9-4.3	2	Dowel Pin	R584501	2-4.2	25	Mount
R2552121	9-4.3		Grapple Hydraulic Cylinder	R586452	1-1.1	7	Pin, Locking
R2552121	1-4.5	8	Hydraulic Cylinder Assy	R595096	1-4.5	6	Nut, Hex
R2552122	9-4.3	1	Stem & Eye Assembly	R6000689	9-1.14		Dust Cap
R2552354	9-4.1	16	Retainer, Gland	R6002470	2-2.1	6	Ball Joint
R2552356	9-4.1	5	Piston	R616502	1-4.2	19	Link, Chain
R2552358	9-4.1	19	Stem & Eye Assembly	R616796	2-4.3	26	Washer
R2552360	9-4.1	12	Packing Gland	R616796	2-4.1	13	Washer
R2552361	9-4.1		Hydraulic Cylinder	R616796	2-4.2	13	Washer
R2552361	6-2.3	1	Hydraulic Cylinder	R616796	2-6.1	14	Washer
R2552361	1-2.1	1	Hydraulic Cylinder	R616796	2-6.2	33	Washer
R2552367	8-2.1	57	Hourmeter	R616841	1-1.2	6	Washer
R2553206	9-4.2	9	Ring	R616880	2-6.1	7	Washer
R2553562	9-4.1	4	Washer	R616880	2-6.1	21	Washer
R2553563	9-4.2	5	Washer	R619023	4-1.11	35	Washer
R2553563	9-4.3	4	Washer	R619023	4-1.25	35	Washer
R2560856	4-1.33	21	Tube Assembly, Suction	R6212985	5-2.6	13	Valve
R2560856	4-1.35	21	Tube Assembly, Suction	R635373	5-2.3	11	Spacer
R270202	2-2.2	7	Pin, Cotter	R635373	9-1.12	18	Spacer
R270202	2-2.3	7	Pin, Cotter	R636260	3-1.4	108	Oil Pressure Switch
R330325	9-1.14	12	Coupler	R636260	3-1.5	108	Oil Pressure Switch
R358394	2-4.3	23	Valve	R641297	4-1.11	30	Bleed Screw
R358394	2-4.1	23	Valve	R641297	4-1.11	56	Bleed Screw
R358394	2-4.2	23	Valve	R641297	4-1.25	30	Bleed Screw
R3951954	5-2.3	1	Lever Assembly	R641297	4-1.25	56	Bleed Screw
R3984428	2-5.3	2	Cover	R645092	5-2.3	13	Link Spacer
R3984429	2-5.3	3	Body	R6513640	8-2.1	36	Button, Plug
R4011012	4-1.15	4	Bearing	R6513679	2-6.1	16	Draincock
R4011012	4-1.29	4	Bearing	R6513679	2-6.2	43	Draincock
R4086970	6-1.1	10	Mount	R6515575	2-4.3	30	Clamp, Hose
R4086970	6-1.3	10	Mount	R6515575	2-6.3	7	Clamp
R4086970	2-6.1	19	Mount	R6515575	2-6.4	7	Clamp
R4086970	2-6.2	38	Mount	R6515575	2-4.1	26	Clamp, Hose
R4095037	4-1.3	2	Snap Ring	R6515575	2-4.2	26	Clamp, Hose

Part No.	Page.	Item	Description	Part No.	Page.	Item	Description
R652424	1-2.1	5	Shim	R840081	8-3.4	23	Control Valve
R656247	2-4.1	64	Hose, Fuel	R840081	8-3.7	23	Control Valve
R656247	2-4.2	64	Hose, Fuel	R840147	8-3.4	26	Adapter
R658038	4-1.5	42	Bearing	R840147	8-3.7	26	Adapter
R658130	4-1.37		Snap Ring	R840159	8-3.4	21	Gear Clamp
R660178	4-1.38	4	Roll Pin	R840159	8-3.7	21	Gear Clamp
R661312	9-4.1	3	Snap Ring	R840172	8-3.4	27	Adapter
R667289	4-1.33	28	Fitting	R840172	8-3.7	27	Adapter
R667289	4-1.35	28	Fitting	R840173	8-3.4	28	Adapter
R696073	8-2.1	37	Button, Plug	R840173	8-3.7	28	Adapter
R7018416	4-1.9	10	Bearing Cup	R840268	8-3.4	1	Hose Protector
R7018416	4-1.23	10	Bearing Cup	R840268	8-3.7	1	Hose Protector
R7019272	4-1.9	5	Bearing Cup	R840269	8-3.4	2	Top Cover
R7019578	4-1.5	28	Bearing	R840269	8-3.7	2	Top Cover
R7019578	4-1.6	10	Bearing	R840270	8-3.4	3	Protection Cover
R7019578	4-1.7	25	Bearing	R840270	8-3.7	3	Protection Cover
R7019578	4-1.7	30	Bearing	R840271	8-3.4	4	Air Chamber
R7019578	4-1.19	30	Bearing	R840271	8-3.7	4	Air Chamber
R7019578	4-1.20	12	Bearing	R840272	8-3.4	5	Duct Front
R711298	4-1.37	8	Snap Ring	R840272	8-3.7	5	Duct Front
R713386	4-1.37	17	Snap Ring	R840273	8-3.4	6	Bracket
R731160	4-1.5	7	Ring	R840273	8-3.7	6	Bracket
R731160	4-1.5	38	Ring	R840274	8-3.4	7	Control Panel
R731160	4-1.6	8	Ring	R840274	8-3.7	7	Control Panel
R731160	4-1.6	17	Ring	R840275	8-3.4	8	Blower Bracket
R731160	4-1.7	27	Ring	R840275	8-3.7	8	Blower Bracket
R731160	4-1.19	9	Ring	R840276	8-3.4	9	Control Housing
R731160	4-1.19	40	Ring	R840276	8-3.7	9	Control Housing
R731160	4-1.20	10	Ring	R840277	8-3.4	10	Blower Plate
R731160	4-1.20	19	Ring	R840277	8-3.7	10	Blower Plate
R731160	4-1.21	13	Ring	R840278	8-3.4	11	Lower Cover
R731794	9-1.5	60	Fitting	R840278	8-3.7	11	Lower Cover
R731794	9-1.7	60	Fitting	R840279	8-3.4	12	Middle Cover
R731794	9-1.9	60	Fitting	R840279	8-3.7	12	Middle Cover
R740042	8-3.6	14	Loom	R840280	8-3.4	13	Casing
R740781	3-1.7	39	Fuse	R840280	8-3.7	13	Casing
R740781	3-1.6	39	Fuse	R840283	8-3.4	17	Evaporator Coil
R740797	8-3.1	18	Fuse	R840284	8-3.4	19	Block Valve
R740863	8-3.3	12	Seal, Cavity	R840285	8-3.4	20	Heater Coil
R740864	8-3.3	65	Connector, Wire	R840285	8-3.7	20	Heater Coil
R740865	8-3.3	22	Pin	R840286	8-3.4	24	Louver
R740866	8-3.3	66	Pin	R840286	8-3.6	3	Louver
R740867	8-3.3	13	Seal, Wire	R840286	8-3.7	24	Louver
R740868	8-3.3	71	Seal, Wire	R840286	8-3.3	58	Louver
R740873	8-3.3	18	Connector	R840287	8-3.4	25	Adapter
R740873	8-3.6	12	Connector	R840287	8-3.7	25	Adapter
R740882	8-3.3	19	Sleeve	R840288	8-3.4	29	Thermostat
R740882	8-3.6	13	Sleeve	R840289	8-3.4	30	Hose
R740885	8-3.3	21	Connector, Wire	R840289	8-3.7	30	Hose
R742242	4-1.23	6	Bearing Cone	R840290	8-3.4	31	Switch
R742242	4-1.23	9	Bearing Cone	R840290	8-3.7	31	Switch
R743039	4-1.15	2	Lockwasher	R840292	8-3.4	33	Switch
R743039	4-1.29	2	Lockwasher	R840292	8-3.7	33	Switch
R762746	9-1.1	40	Gasket	R840296	8-3.4	37	Switch
R801227	4-1.37		Seal Kit	R840297	8-3.4	38	Cover
R801227	4-1.38		Seal Kit	R840297	8-3.7	38	Cover
R801524	4-1.37	76	Cover	R840299	8-3.4	40	Socket
R801801	4-1.3		Seal Kit	R840299	8-3.7	40	Socket
R801801	4-1.17		Seal Kit	R872229	1-4.2	21	Washer
R801805	4-1.11		Seal Kit	R879768	1-1.1	8	Washer
R801805	4-1.25		Seal Kit	R9032514	2-5.2	6	Vacuator
R801819	4-1.21	16	Kit, Retainer Ring	R9411617	4-1.37	74	Snap Ring
R830065	4-1.33	4	Fitting	R942751	4-2.5	6	Seal
R830065	4-1.35	4	Fitting				
R832034	9-1.3	34	Fitting				
R832034	9-1.5	24	Fitting				
R832034	9-1.7	24	Fitting				
R832034	9-1.9	24	Fitting				
R832154	9-3.1	6	Fitting				

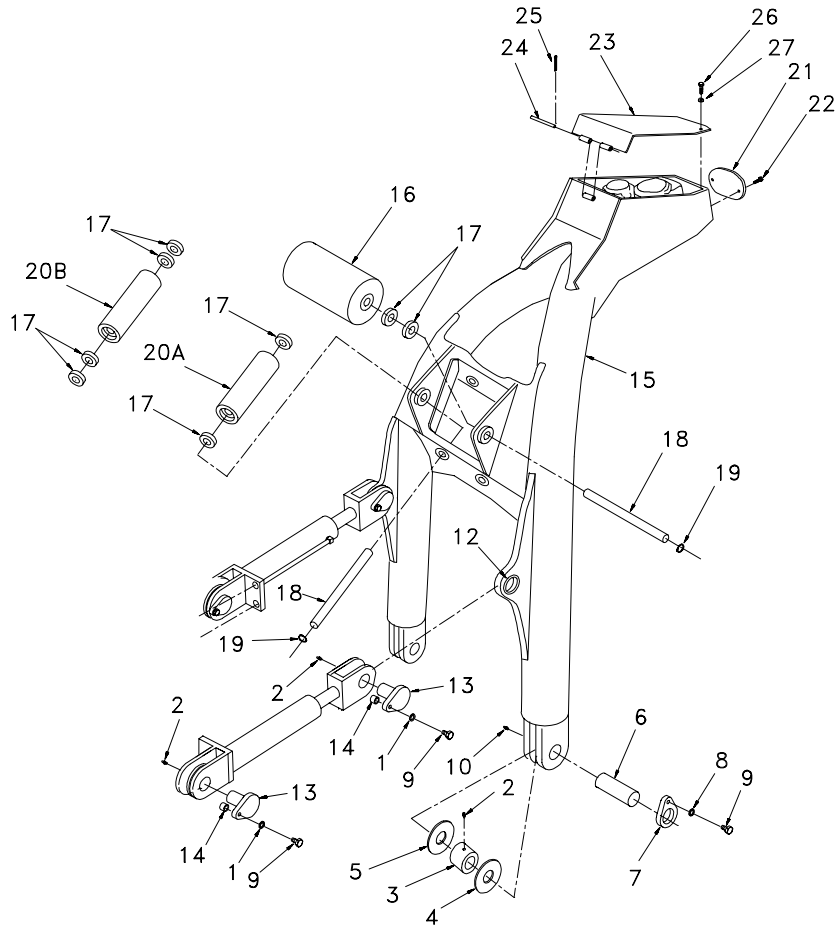
## Section 1

### Attachments

<b>Page No.</b>	<b>Description</b>
<b>1-1</b>	<b>Arch</b>
1-1.1	Single Arch and Rollers
1-1.2	Fairlead Assembly
<b>1-2</b>	<b>Blade</b>
1-2.1	Blade
1-2.1	Blade Cylinder Installation
<b>1-3</b>	<b>Grapple</b>
1-3.1	Hi-Vis Grapple Installation
<b>1-4</b>	<b>Winch</b>
1-4.1	Winch Installation
1-4.2	Winch Assembly
1-4.8	Winch Control Valve
<b>1-5</b>	<b>Miscellaneous</b>

Intentionally Blank

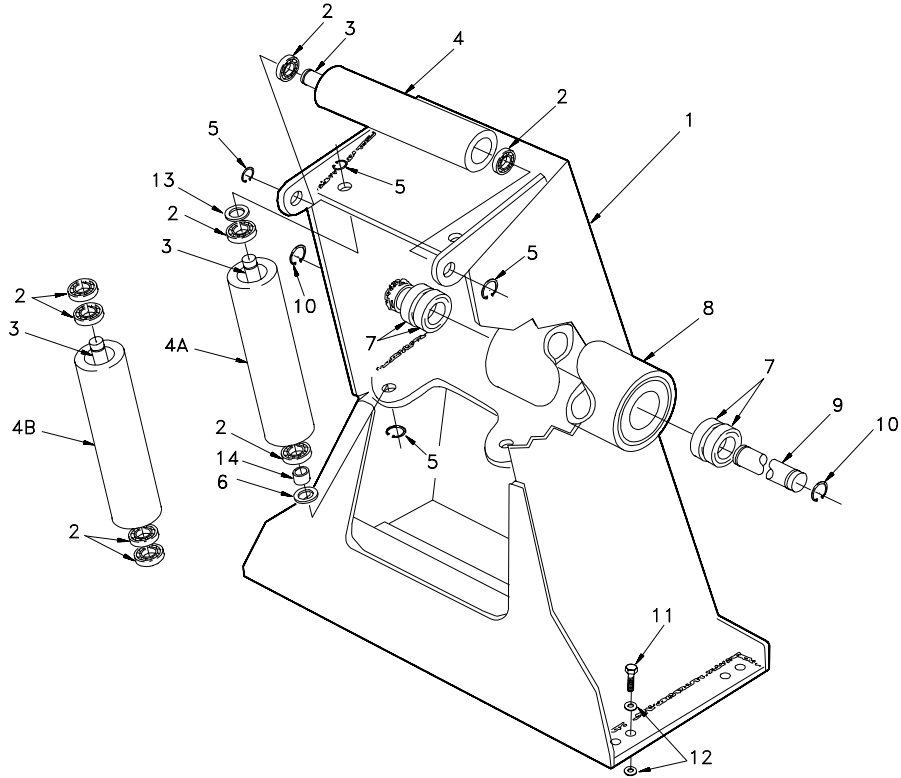




H661a01.dwg

### Single Arch Assembly

Item	Part No.	Qty	Description	Item	Part No.	Qty	Description
1	R13811433	6	Washer	15	R1938080	1	Arch Assembly
2	R13801339	6	Fitting, Lube	16	R1903717	1	Main Roller
3	R1573309	2	Bearing	17	R1935453	12	Bearing
4	R1905176	6	Shim	18	R1900194	3	Shaft, Fairlead
5	R1928772	2	Washer	19	R1902877	6	Ring, Snap
6	R1903262	2	Pin	20A	R1901550	2	Roller, 2 Bearing
7	R586452	2	Pin, Locking	20B	R15937	2	Roller, 4 Bearing
8	R879768	2	Washer	21	R1931313	1	Cover
9	R13801842	6	Capscrew	22	R13811035	2	Capscrew
10	R13801760	2	Fitting	23	R1937212	1	Cover Assembly
11	* R2552115	2	Hydraulic Cylinder Asm. (9-4.3)	24	R1928874	1	Bar
12	R1574466	4	Bearing	25	R13800364	2	Pin, Cotter
13	R12574706	4	Pin Assembly	26	R13810860	6	Capscrew
14	R2529808	4	Spacer	27	R13811431	6	Washer

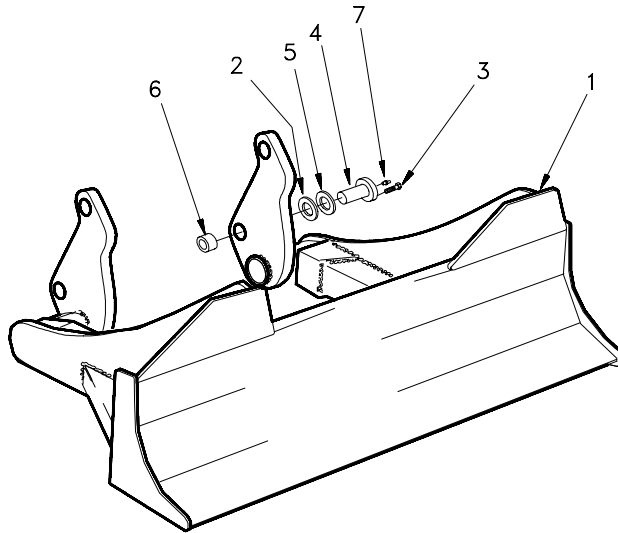


H661a02.dwg

### Cable Fairlead Assembly

Item	Part No.	Qty	Description	Item	Part No.	Qty	Description
1	R15384	1	Fairlead	8	R1938952	1	Roller
2	R1938954	6	Bearing	9	R1938953	1	Shaft
3	R1937889	3	Shaft	10	R1300690	2	Retaining Ring
4A	R1901550	3	Roller, 2 Bearing	11	R13811150	8	Screw
4B	R15937	3	Roller, 4 Bearing	12	R13811436	8	Washer
5	R1902877	6	Snap Ring	13	R1939280	4	Washer
6	R616841	2	Washer	14	R12569730	6	Seal
7	R16052	4	Bearing				

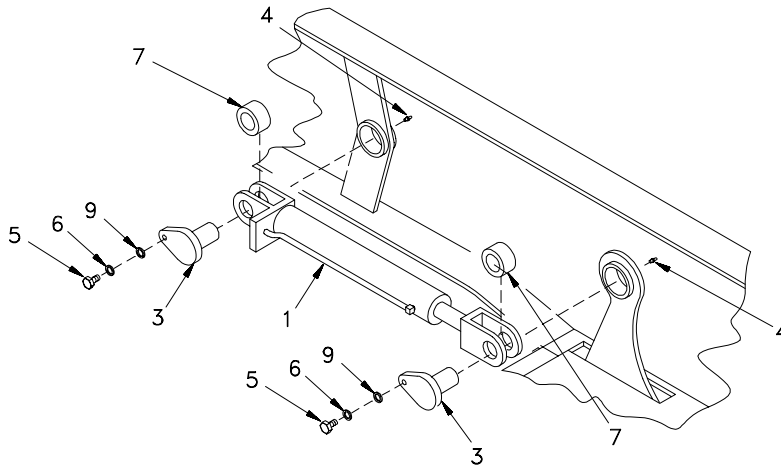
H661a03.dwg



### Blade

Item	Part No.	Qty	Description	Item	Part No.	Qty	Description
1	R1937838	1	Blade Asm	4	R1920461	2	Pin
	R1933493	1	Blade Extension Kit (Optional)	5	R652424	4	Shim
2	R1900168	2	Washer	6	R1574466	2	Bearing
3	R13811075	4	Capscrew	7	R13801339	2	Fitting, Lube

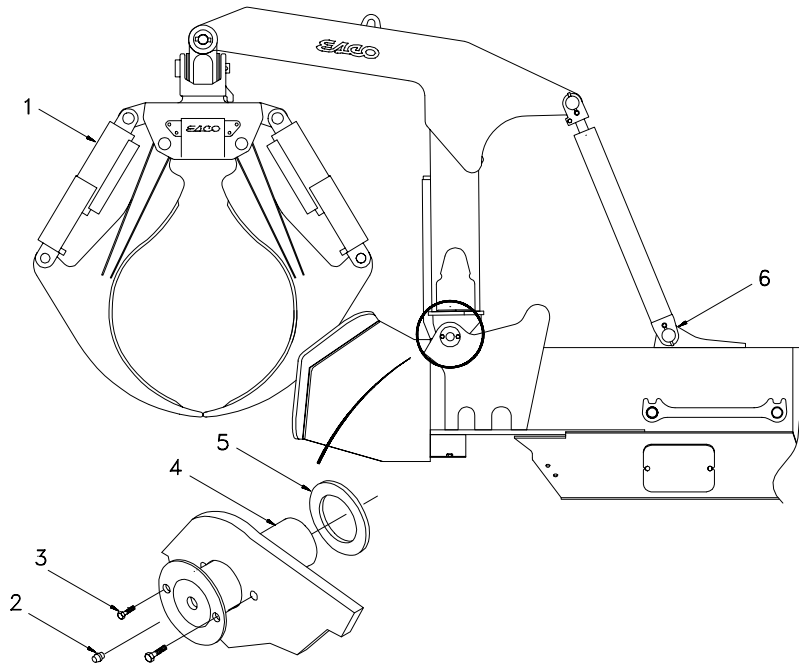
H661a04.dwg



### Blade Cylinder Installation

Item	Part No.	Qty	Description	Item	Part No.	Qty	Description
1	* R2552361	2	Hydraulic Cylinder (9-4.1)	6	R13811433	4	Washer
3	R12574706	4	Pin	7	R1574466	4	Bearing
4	R13801339	4	Fitting, Lube	9	R2529808	4	Spacer
5	R13801842	4	Capscrew				

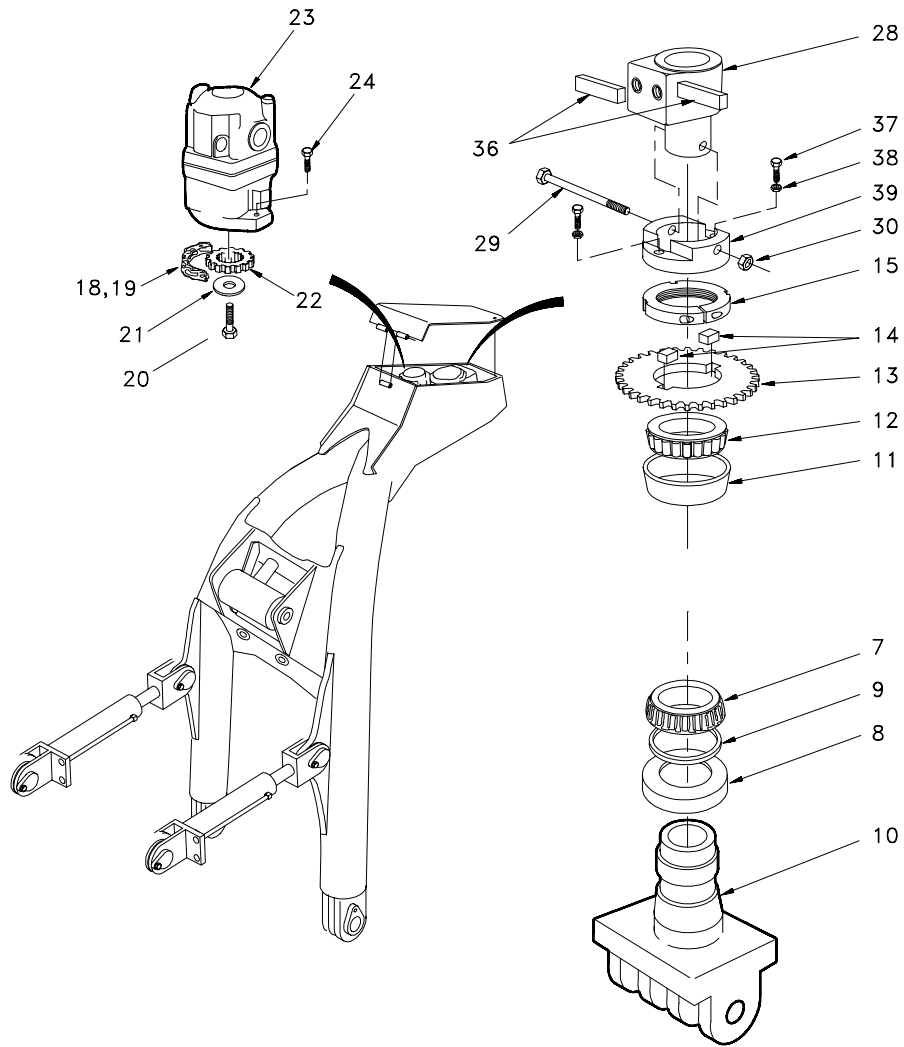
Intentionally Blank



H661a05.dwg

### Hi-Vis Grapple Installation

Item	Part No.	Qty	Description	Item	Part No.	Qty	Description
1	R10598	1	100" Hi-Vis Grapple	4	R1939296	2	Pin
	R10599	1	104" Hi-Vis Grapple	5	R1905176 A/R		Shim
2	R13801339	2	Lube Fitting	6	R1574466	2	Bearing
3	R13801842	4	Capscrew				



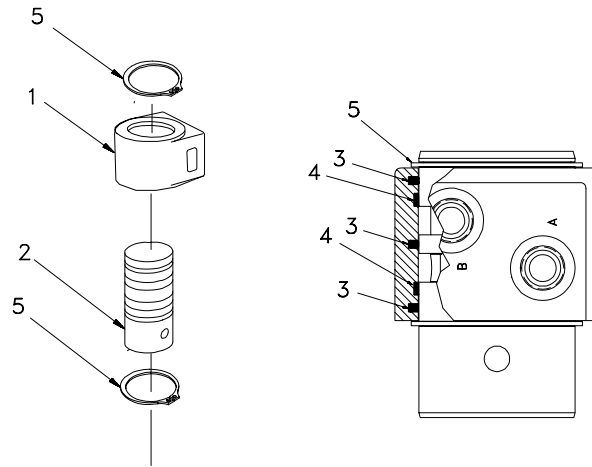
H661b06.dwg

### Grapple Rotor Installation

Item	Part No.	Qty	Description	Item	Part No.	Qty	Description
7	R1937934	1	Bearing/Cone Assembly	22	R1934875	1	Sprocket, Drive
8	R1937938	1	Plate, Spacer	23	* R1937742	1	Hydraulic Motor (9-2.3)
9	R1937936	1	Seal	24	R13812000	2	Capscrew
10	*a R1937933	1	Main Shaft	28	* R15190	1	Manifold Assembly, Rotary (1-4.3)
	*b -----	1	Main Shaft	29	R13804703	1	Capscrew
11	R1318083	1	Bearing Cup	30	R13811193	1	Nut
12	R1318084	1	Bearing Cone	36	R12570783	2	Bar
13	R12573856	1	Sprocket	37	R13811036	2	Capscrew
14	R13804605	2	Key	38	235708	2	Nut
15	R15195	1	Nut, Clamp	39	R17615	1	Lock Collar
18	R1935454	3	Chain				
19	R616502	1	Link, Chain				
20	R13812369	1	Capscrew				
21	R872229	1	Washer				

\*a Used with 70" Grapple Assembly

\*b Part of 84" Hi-Vis Grapple, P/N R15100

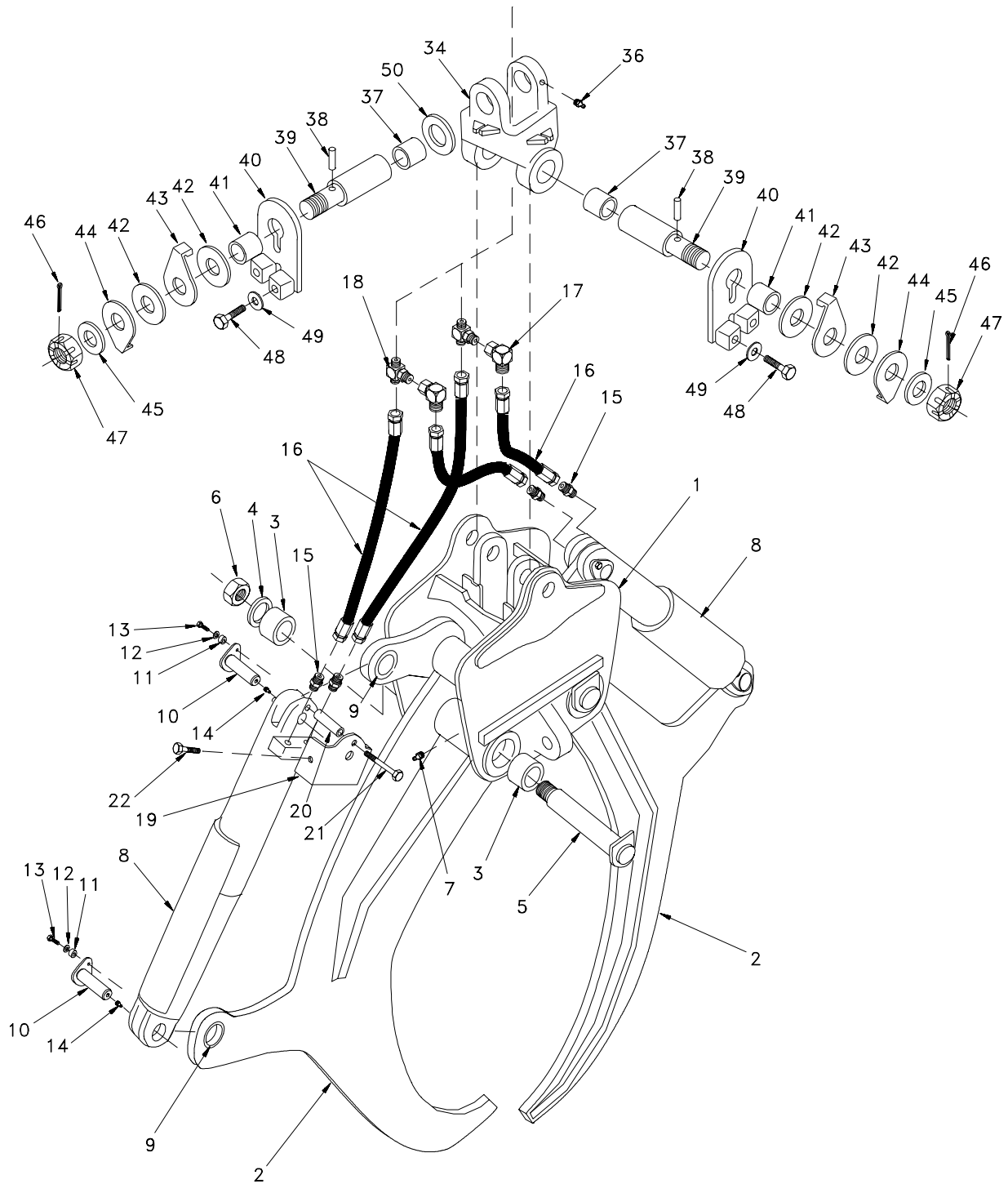


H661a07.dwg

### Rotor Manifold Assembly

Item	Part No.	Qty	Description	Item	Part No.	Qty	Description
	<b>R15190</b>		<b>Rotor Manifold Assembly</b>				
1	R15191	1	. Housing	4	*a R15194	2	. Bearing Ring
2	R15192	1	. Shaft	5	R214337	2	. Snap Ring
3	*a R15193	3	. Seal Ring				

\*a Included in R16483 Service Kit



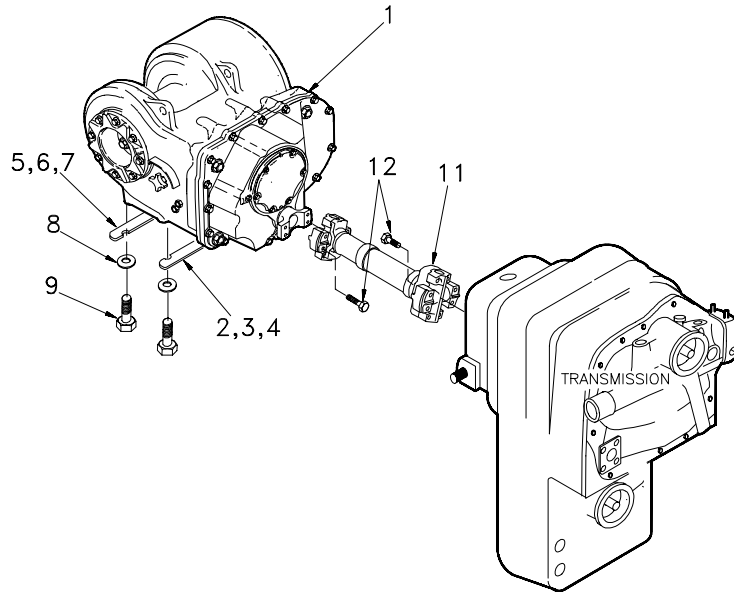
H661a08.plt



## 70" Grapple Assembly

Item	Part No.	Qty	Description	Item	Part No.	Qty	Description
	<b>R14792</b>		<b>70" Grapple Assembly</b>				
1	R1938112	1	. Grapple Box Assembly	26	R1937941	2	. Snubber
2	R12580652	2	. Arm Assembly	27	R1932931	2	. Bush
3	R1928727	4	. Bush	28	R1937808	4	. Disc, Snub
4	R1938216	4	. Shim	29	R1937940	2	. Snubber
5	R1927298	2	. Pin Assembly	30	R1937935	2	. Spring, Disc
6	R595096	2	. Nut, Hex	31	R1935436	2	. Nut, Hex
7	R13801533	2	. Fitting, Lube	32	R13800374	2	. Pin, Cotter
8	* R2552121	2	. Hydraulic Cylinder Assy (9-4.3)	33	R1938151	2	. Plate Wldmt
9	R1574466	4	. Bearing	34	R12581247	1	. Yoke, Mach
10	R12574706	4	. Pin Assembly	35	R13811076	4	. Capscrew
11	R2529808	4	. Spacer	36	11079	4	. Fitting, Lube
12	R13811433	8	. Washer	37	R1937942	4	Bearing
13	R13801842	4	. Capscrew	38	R1932932	4	Roll Pin
14	00191758	4	. Fitting, Lube	39	R1937947	4	Pin
15	R12002476	4	. Fitting	40	R1938151	4	Plate
16	R1927402	4	. Hose Assembly	41	R1932931	4	Bushing
17	R13801461	2	. Fitting	42	R1937808	8	Disc
18	R13801362	2	. Fitting	43	R1937941	4	Snubber
19	R1931719	2	. Cylinder Base Cover	44	R1937940	4	Snubber
20	R1931736	2	. Spacer	45	R1937935	4	Spring
21	R13811086	2	. Capscrew	46	R13800374	4	Pin
22	R13801857	2	. Capscrew	47	R1935436	4	Nut
23	R1937942	2	. Bearing	48	R13811076	8	Capscrew
24	R1937947	2	. Pin	49	R13811433	8	Washer
25	R1932932	2	. Pin, Roll	50	R1937943	2	Washer

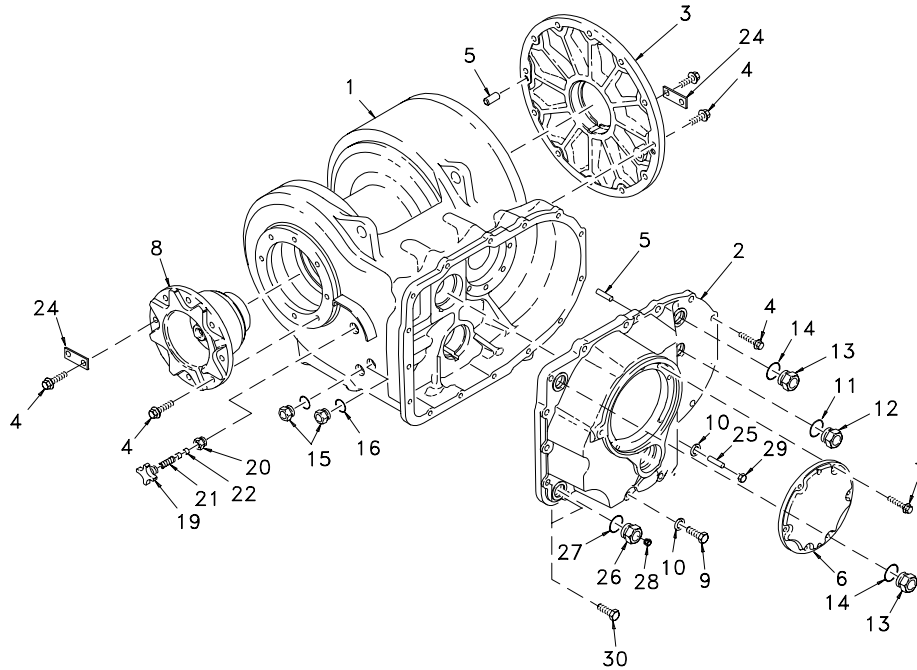
Intentionally Blank



H661a09.dwg

### Winch Installation

Item	Part No.	Qty	Description	Item	Part No.	Qty	Description
1	* R14235	1	Winch Assembly (1-5.2)	7	R14024	A/R	Shim, Rear
2	R14019	A/R	Shim, Front	8	R13811436	8	Washer
3	R14020	A/R	Shim, Front	9	R13811146	8	Capscrew
4	R14021	A/R	Shim, Front	11	* R1937747	1	Driveline Assembly (4-2.4)
5	R14022	A/R	Shim, Rear	12	R13806334	8	Capscrew
6	R14023	A/R	Shim, Rear				



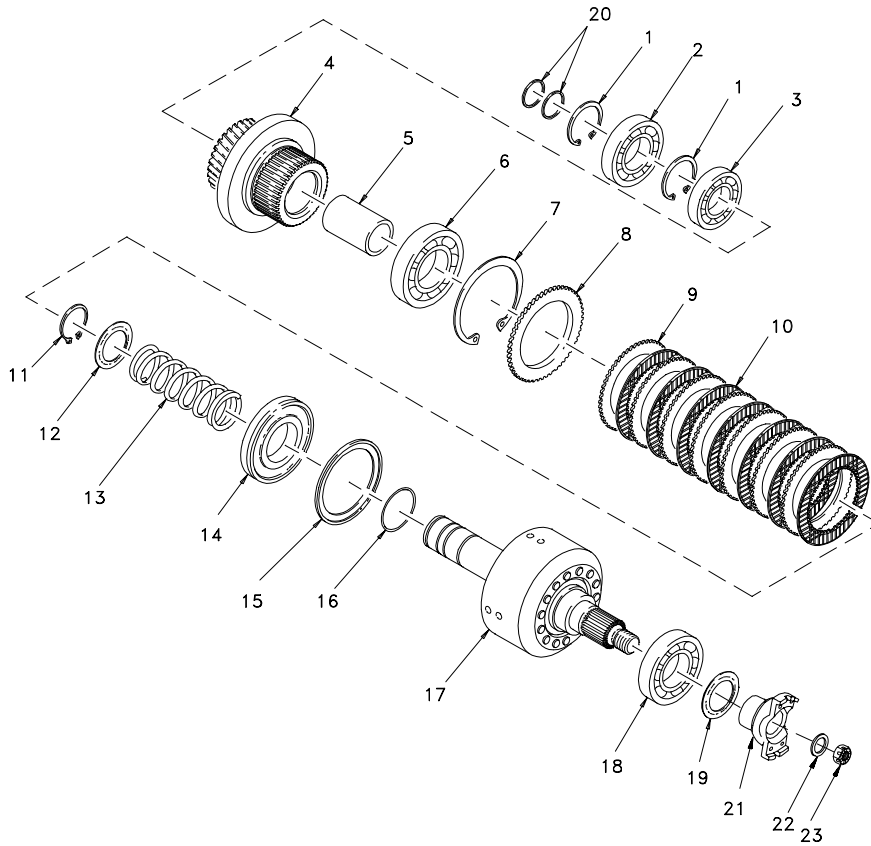
H661a10.dwg

### Winch Assembly

Item	Part No.	Qty	Description	Item	Part No.	Qty	Description
<b>R14235 Winch Assembly</b>							
1	NSS	1	. Frame	19	1314547W	1	. Knob
2	*a 1314516W	1	. Cover-Front	20	*b 2300174W	1	. Insert
3	*a 1314480W	1	. Cover-LH	21	1314502W	1	. Spring
4	1314566W	31	. Capscrew	22	2300276W	1	. Pad
5	136625W	4	. Pin	23	2300266W	1	. Kit-Seal Ring Sleeve
6	*a 1314421W	1	. Cover-Brake	24	2302175W	2	. Bracket
7	*a 398943W	6	. Capscrew	25	2302176W	1	. Stud
8	1314499W	1	. Cover-RH	26	2301295W	1	. Fitting
9	18596W	2	. Capscrew	27	16487W	1	. . O-Ring
10	221771W	3	. Washer	28	150879	1	. Fitting
11	14595W	1	. Fitting	29	15058W	1	. Nut
12	16484W	1	. . O-Ring	30	398888W	2	. Capscrew
13	14604W	2	. Fitting				
14	16487W	1	. . O-Ring				
15	216590W	2	. Fitting				
16	16485W	1	. . O-Ring				

\*a Use 264159W Sealant

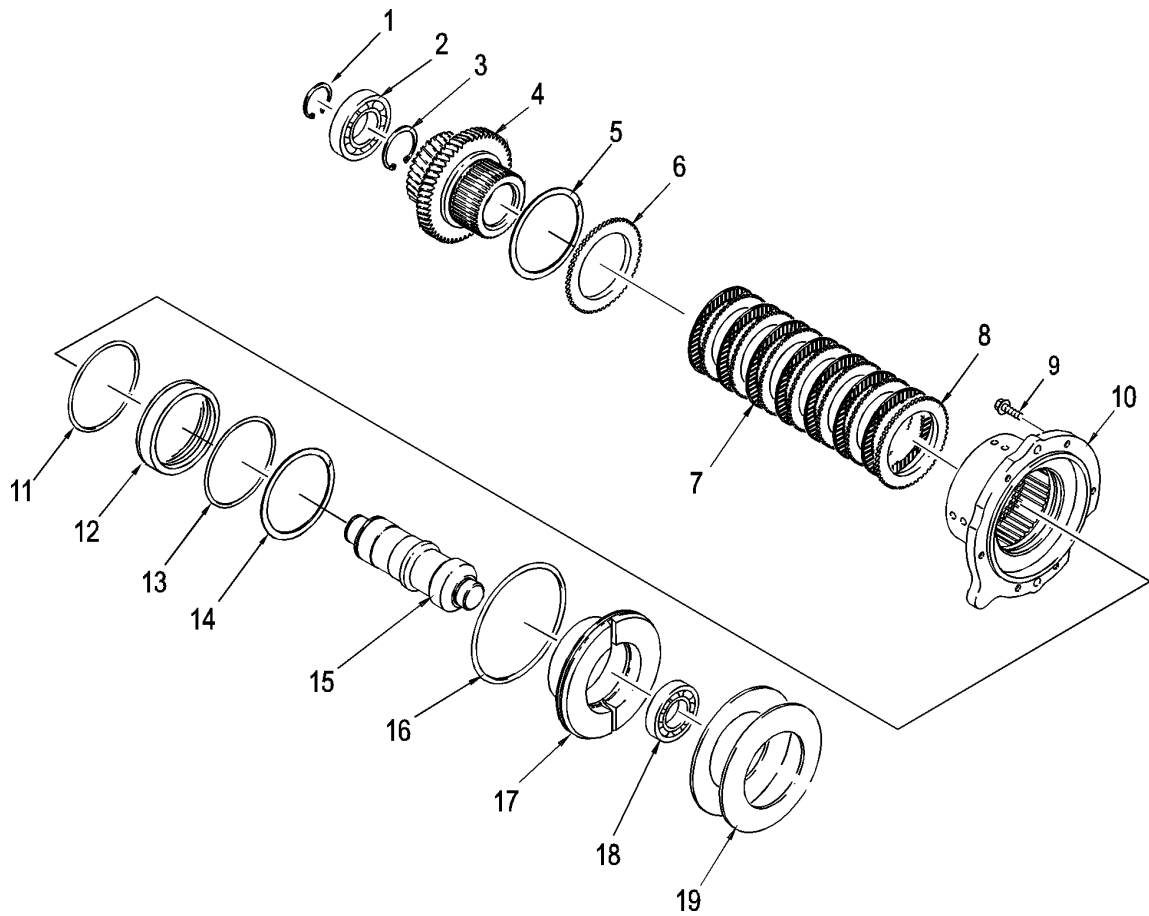
\*b Use 383789W Loctite



H661a11.dwg

### Clutch Assembly

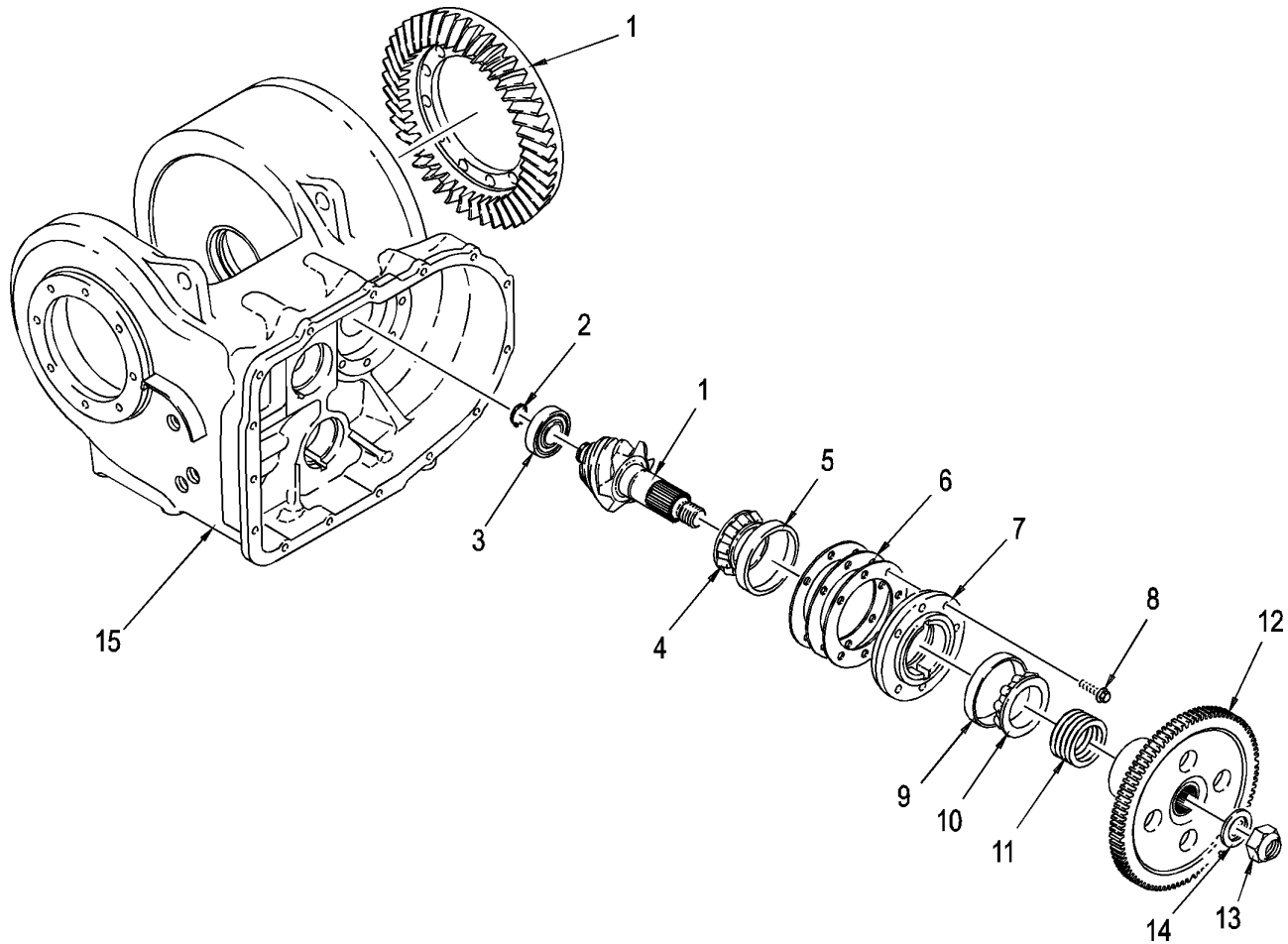
Item	Part No.	Qty	Description	Item	Part No.	Qty	Description
	<b>R14235</b>		<b>Winch Assembly (continued)</b>				
	<b>2302162W</b>		<b>Clutch Assembly</b>				
1	12891W	2	. Snap Ring	14	1314446W	1	. Piston-Clutch
2	41308W	1	. Ball Bearing	15	*a 334402W	1	. Seal-Clutch Pack
3	43208W	1	. Ball Bearing	16	*a 140597W	1	. O-Ring
4	1314419W	1	. Hub-Clutch	17	2302161W	1	. Shaft & Housing Assembly
5	1314469W	1	. Spacer	18	44310W	1	Bearing
6	44308W	1	. Bearing	19	*a 2302046W	1	Seal
7	334475W	1	. Snap Ring	20	*a 346677W	2	Seal Ring
8	334442W	1	. Plate-Pressure	21	R231553	1	Yoke
9	*a 346796W	7	. Plate-Friction	22	221780W	1	Washer
10	*a 334417W	7	. Plate-Separator	23	R216058	1	Nut
11	334480W	1	. Snap Ring				
12	*a 1314549W	1	. Guide-Spring				
13	*a 1314447W	1	. Spring-Clutch				
					*a Service Kit P/N 2303050W		



H66'1a'12.tif

## Brake

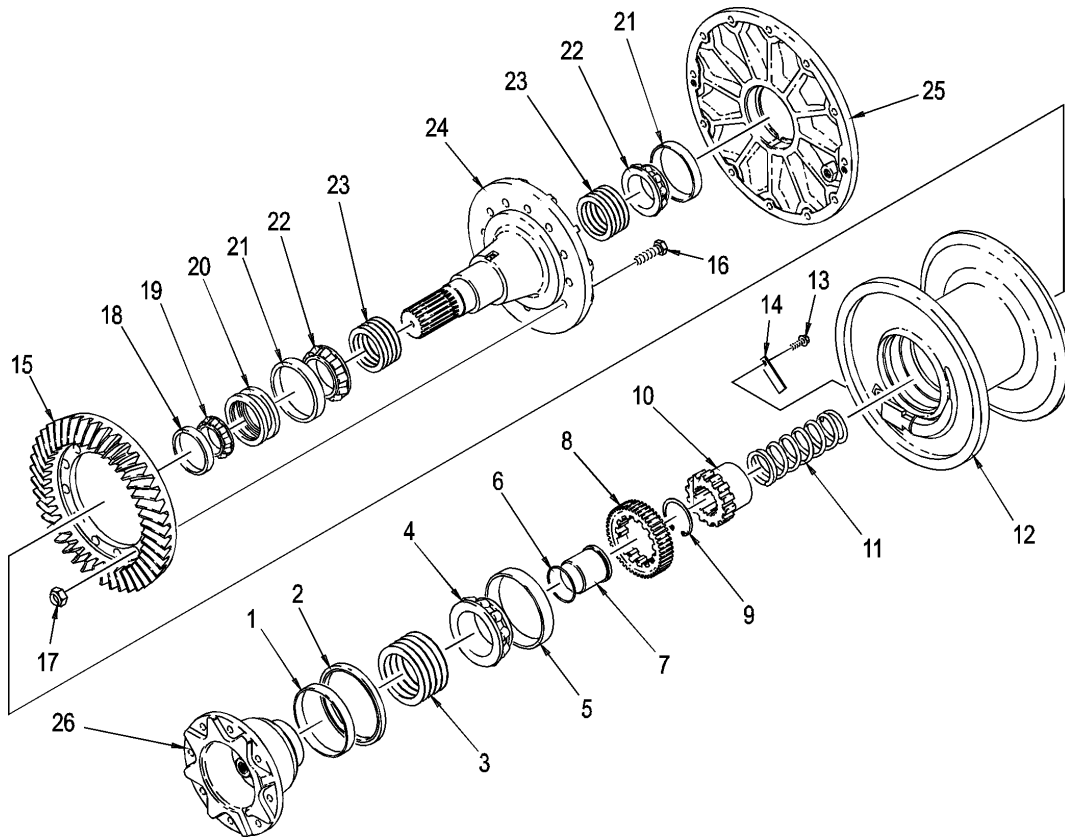
Item	Part No.	Qty	Description	Item	Part No.	Qty	Description
<b>R14235 Winch Assembly (continued)</b>							
1	12891W	1	. Snap Ring	12	2300221W	1	. Spacer
2	41308W	1	. Bearing	13	*a 86596W	1	. O-Ring
3	1314580W	1	. Snap Ring	14	139385W	1	. Snap Ring
4	1314415W	1	. Hub-Brake	15	1314417W	1	. Shaft-Brake
5	334475W	1	. Snap Ring	16	*a 87287W	1	. O-Ring
6	334442W	1	. Plate-Pressure	17	1314424W	1	. Piston-Brake
7	*a 346796W	7	. Plate-Friction	18	43208W	1	. Bearing
8	*a 334417W	7	. Plate-Separator	19	219084W	2	. Spring
9	2300586W	2	. Capscrew				
10	*b 2300227W	1	. Housing-Brake				*a Seal Kit P/N 2300576W
11	*a 39756W	1	. O-Ring				*b Seal Kit P/N 313022W



H661a13.tif

### Ring & Pinion

Item	Part No.	Qty	Description	Item	Part No.	Qty	Description
<b>R14235</b>							
<b>Winch Assembly (continued)</b>							
1	2300485W	1	. Set-Ring/Pinion	10	2300494W	1	. Cone-Roller Bearing
2	240683W	1	. Snap Ring-Ext	11	2300498W A/R		. Shim-.015
3	296844W	1	. Bearing-Roller	11	2300499W A/R		. Shim-.018
4	2300492W	1	. Cone-Roller Bearing	11	2300500W A/R		. Shim-.020
5	2300496W	1	. Cup-Roller Bearing	11	2300501W A/R		. Shim-.022
6	1314473W A/R		. Shim-.005	11	2300502W A/R		. Shim-.025
	1314474W A/R		. Shim-.007	12	2300491W	1	. Gear-95 T
	1314475W A/R		. Shim-.020	13	2300488W	1	. Nut-Lock
7	2300495W	1	. Carrier-Pinion	14	221786W	1	. Washer
8	398888W	7	. Capscrew	15	NSS	1	. Frame (see R14235)
9	2300493W	1	. Cup-Roller Bearing				



H661a14.tif

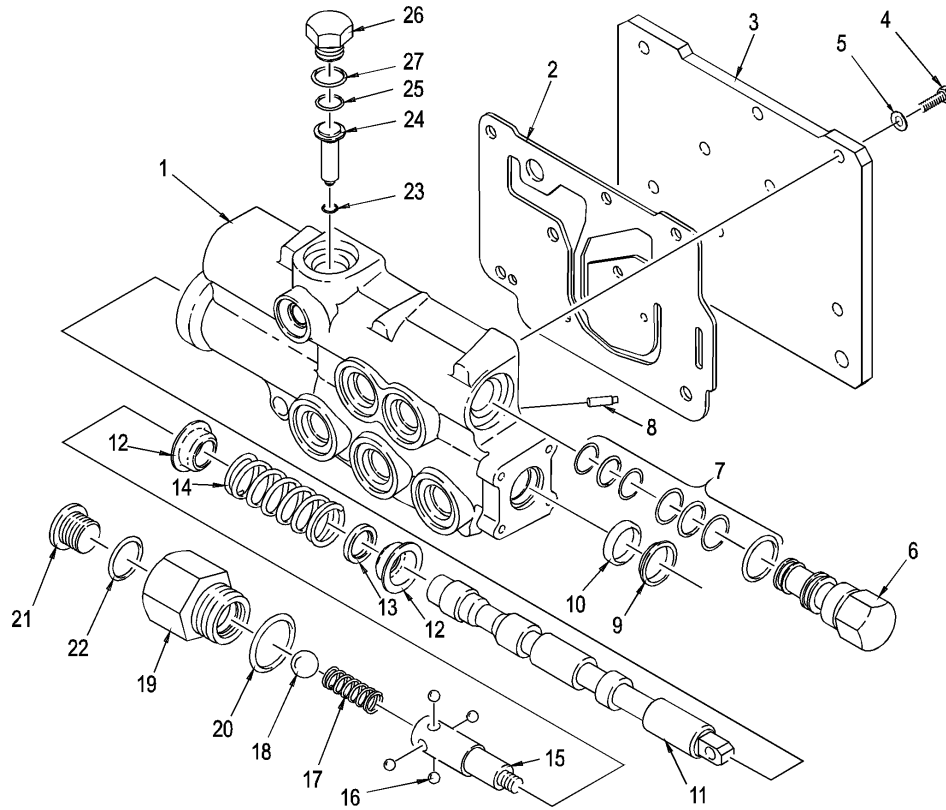
### Shaft & Drum

Item	Part No.	Qty	Description	Item	Part No.	Qty	Description
<b>R14235 Winch Assembly (continued)</b>							
1	1314777W	1	. Sleeve-Seal	16	239688W	12	. Capscrew
2	1314783W	1	. Seal	17	316828W	12	. Nut
3	1314680W A/R		. Shim-.015	18	137153W	1	. Cup-Roller Bearing
	1314681W A/R		. Shim-.018	19	137155W	1	. Cone-Roller Bearing
	1314682W A/R		. Shim-.020	20	1314704W	2	. Seal
	1314683W A/R		. Shim-.022	21	30190W	2	. Cup-Roller Bearing
	1314684W A/R		. Shim-.025	22	1314483W	2	. Cone-Roller Bearing
4	1314686W	1	. Cone-Roller Bearing	23	1314485W A/R		. Shim-.015
5	1314685W	1	. Cup-Roller Bearing	23	1314486W A/R		. Shim-.018
6	33716W	1	. O-Ring	23	1314487W A/R		. Shim-.020
7	1314497W	1	. Piston-Freespool	23	1314488W A/R		. Shim-.022
8	1314496W	1	. Ring-Torque	23	1314470W A/R		. Shim-.025
9	37591W	1	. Snap Ring-Int	24	*a 2300534W	1	. Shaft-Drum
10	*a 2302596W	1	. Coupler-Freespool		*b 2302433W	1	. Shaft-Drum
	*b 2302435W	1	. Coupler-Freespool	25	_____	1	. Cover-LH (see 1-5.2)
11	2300425W	1	. Spring	26	_____	1	. Cover-RH (see 1-5.2)
12	1314491W	1	. Drum				
13	134803W	1	. Capscrew				
14	1314503W	1	. Keeper-Ferrule				
15	_____	1	. Ring Gear (see 1-5.5)				

\*a Last used AW3C-1719  
\*b First used AW3C-1720



Intentionally Blank

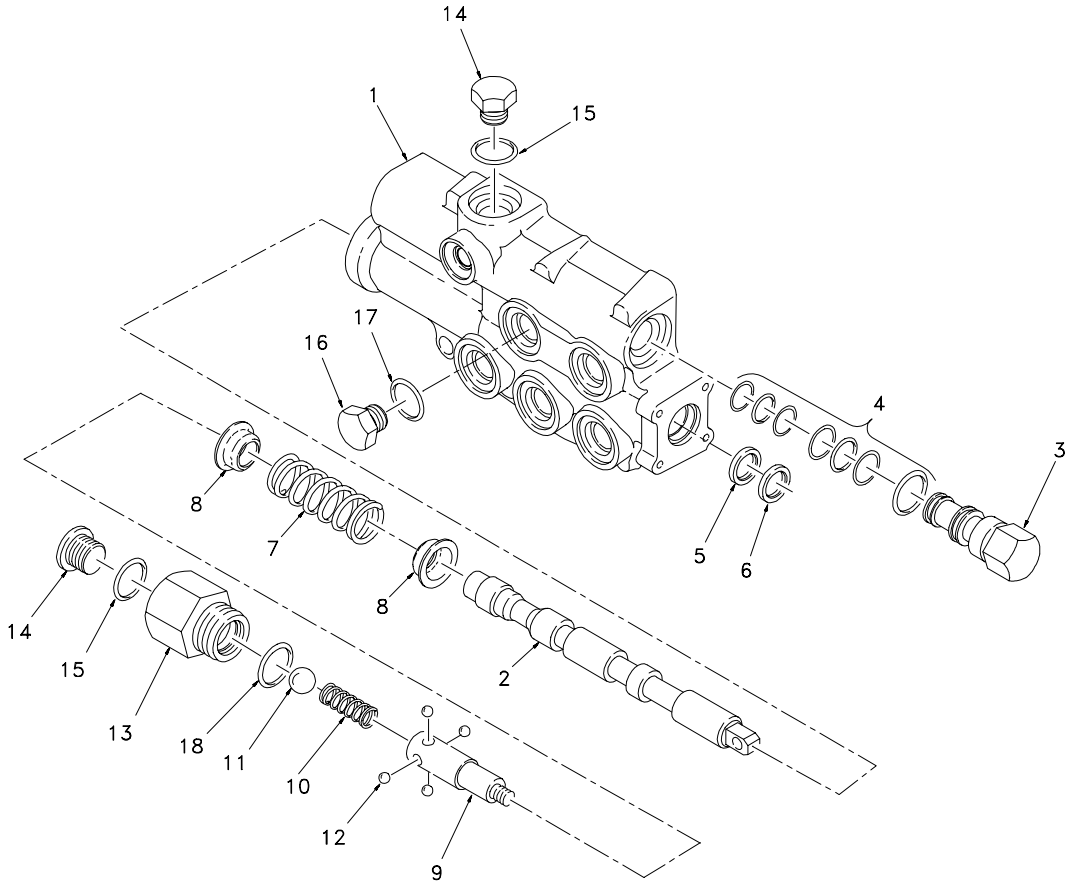


H661a15.pcx

### Winch Control Valve

Item	Part No.	Qty	Description	Item	Part No.	Qty	Description
	<b>2302191W</b>		<b>Winch Control Valve</b>				
1	NSS	1	. Body-Valve	16	61141W	4	. Ball-Steel
2	2301082W	1	. Gasket	17	2300285W	1	. Spring-Detent
3	2301878W	1	. Plate-Cover	18	330596W	1	. Ball-Steel
4	*a 16334W	10	. Caspscrew	19	1314563W	1	. End Cap
5	18425W	10	. Washer	20	R13804271	1	. O-Ring
6	2301199W	1	. Plug	21	233693W	1	. Fitting
7	2300179W	1	. Seal Kit	22	16485W	1	. O-Ring
8	2300187W	1	. Cartridge-Check	23	15859W	1	. O-Ring
9	636850W	1	. Wiper-Rod	24	2300193W	1	. Plug
10	2300315W	1	. Seal	25	60653W	1	. O-Ring
11	1314555W	1	. Spool	26	1314589W	1	. Plug
12	166905W	2	. Spacer-Centering	27	209744	1	. O-Ring
13	1314575W	1	. Spacer				
14	1314556W	1	. Spring-Centering				
15	*a 1314562W	1	. Spool End				

\*a Use 251099W Adhesive



H661a16.dwg

### Winch Control Valve

Item	Part No.	Qty	Description	Item	Part No.	Qty	Description
	<b>2303166W</b>		<b>Winch Control Valve</b>				
1	NSS	1	. Body-Valve	10	2300285W	1	. Spring-Detent
2	NSS	1	. Spool	11	330596W	1	. Ball-Steel
3	2301199W	1	. Plug	12	61141W	4	. Ball-Steel
4	2300179W	1	. Seal Kit	13	2302227W	1	. Sleeve, Detent
5	2300315W	1	. Seal	14	233693W	2	. Plug
6	636850W	1	. Wiper-Rod	15	16485W	1	. O-Ring
7	1314556W	1	. Spring-Centering	16	14594W	1	. Plug
8	2302226W	2	. Stop Cup	17	16483W	1	. O-Ring
9	2302229W	1	. Retainer, Detent	18	16487W	1	. O-Ring

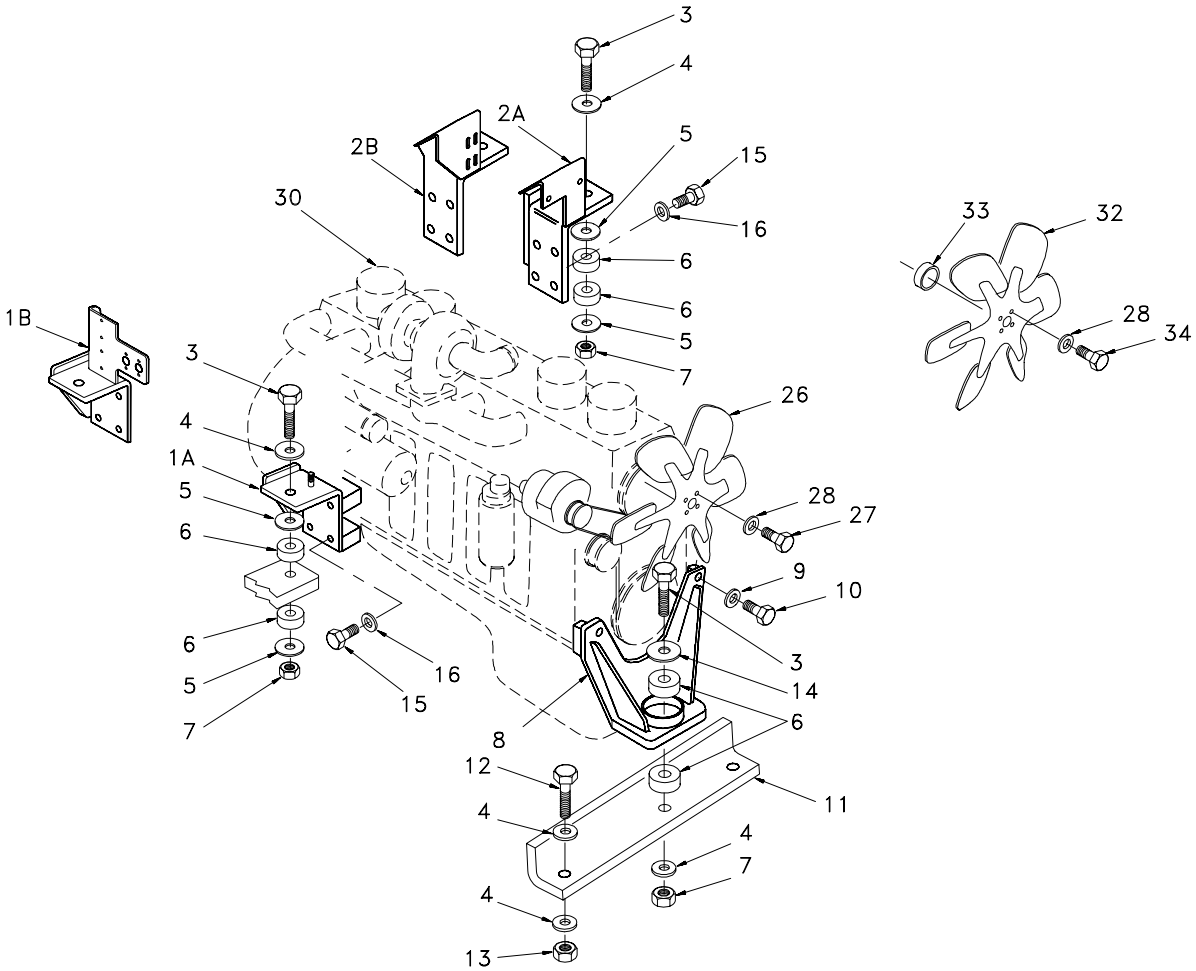
Intentionally Blank

## Section 2

### Power Unit

<b>Page No.</b>	<b>Description</b>
<b>2-1</b>	<b>Engine</b>
2-1.1	Engine Installation
<b>2-2</b>	<b>Controls</b>
2-2.1	Accelerator and Linkage
2-2.2	Hand Throttle
<b>2-3</b>	<b>Lubrication</b>
2-3.1	Lube System
<b>2-4</b>	<b>Fuel</b>
2-4.1	Fuel Tank Installation
<b>2-5</b>	<b>Air Intake &amp; Exhaust</b>
2-5.1	Air Intake
2-5.2	Air Cleaner
2-5.3	Air Pre-Clean Cap
2-5.4	Exhaust System
<b>2-6</b>	<b>Cooling</b>
2-6.1	Radiator and Connections
2-6.2	Coolant Collection Recovery Tank
2-6.3	Radiator Assembly
<b>2-7</b>	<b>Miscellaneous</b>
2-7.1	Ether Start

Intentionally Blank



H662a01.dwg

### Engine Installation

Item	Part No.	Qty	Description	Item	Part No.	Qty	Description
1	*a R13815	1	Bracket, RH	15	R13811228	8	CapscREW
	*b R15463	1	Bracket, RH	16	R13811432	8	Washer
2	*a R13818	1	Bracket, LH	26	R10295	1	Fan, Blower
	*b R15494	1	Bracket, LH	27	R13811215	4	CapscREW
3	R13811132	3	CapscREW	28	R13811458	4	Washer
4	R13811435	7	Washer	30	*a R15430	1	Engine, 154 hp
5	R1936529	4	Washer		*b R15637	1	Engine, 154 hp
6	R1921221	6	Mount		*a R13667	1	Engine, 174 hp
7	R13811469	3	Nut		*b R15634	1	Engine, 174 hp
8	R1934258	1	Engine Mount	31	R11321	-	Suction Fan Option
9	R13811433	4	Washer	32	R12575700	1	. Suction Fan
10	R13811236	4	CapscREW	33	R11150	2	. Fan Spacer
11	R1938184	1	Engine Mount	34	R13811218	4	. CapscREW
12	R13809383	2	CapscREW				
13	R13811195	2	Nut				
14	R1922486	1	Plate				

\*a Last used Unit S/N 1615

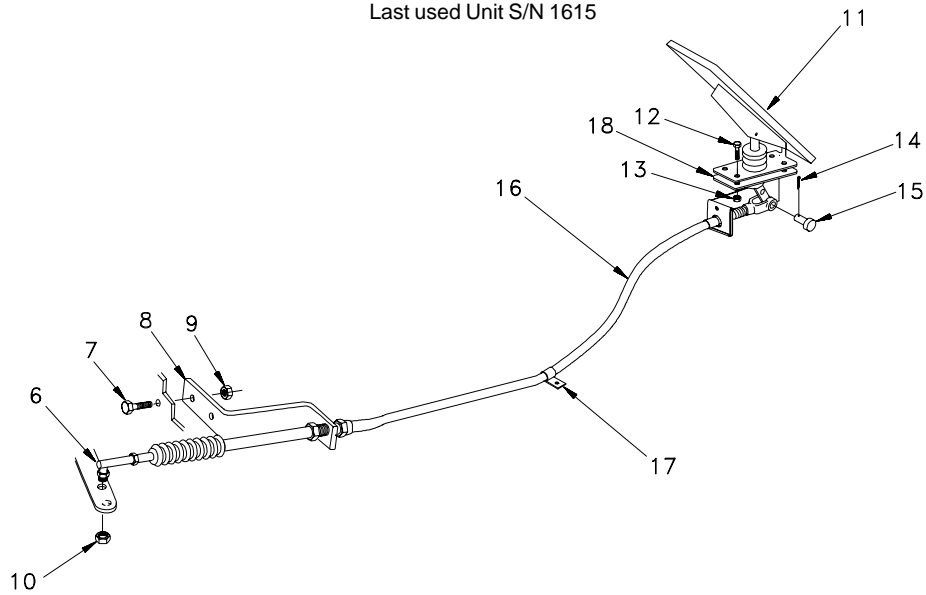
\*b First used Unit S/N 1616

Intentionally Blank



Last used Unit S/N 1615

H662a14.dwg

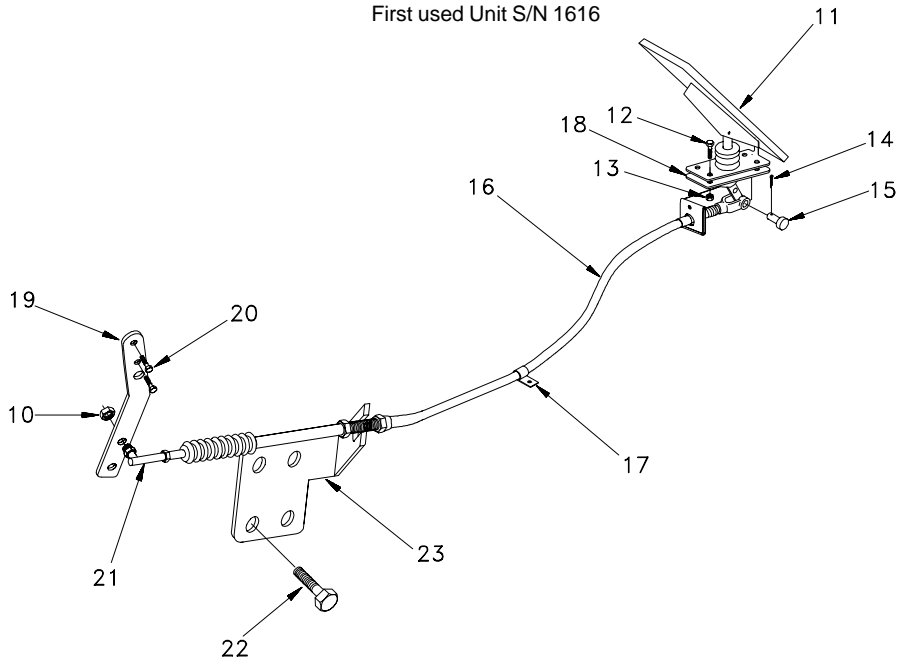


### Accelerator and Linkage

Item	Part No.	Qty	Description	Item	Part No.	Qty	Description
6	R6002470	1	Ball Joint	13	R13806822	4	Nut
7	R13810992	2	Capscrew	14	R13800351	1	Pin
8	R1938350	1	Bracket	15	R13809918	1	Clevis Pin
9	R13811189	2	Nut	16	R15544	1	Cable
10	R13809553	1	Nut	17	R13803060	1	Clamp
11	R10002	1	Pedal	18	R14612	1	Spacer
12	R13810993	4	Capscrew				

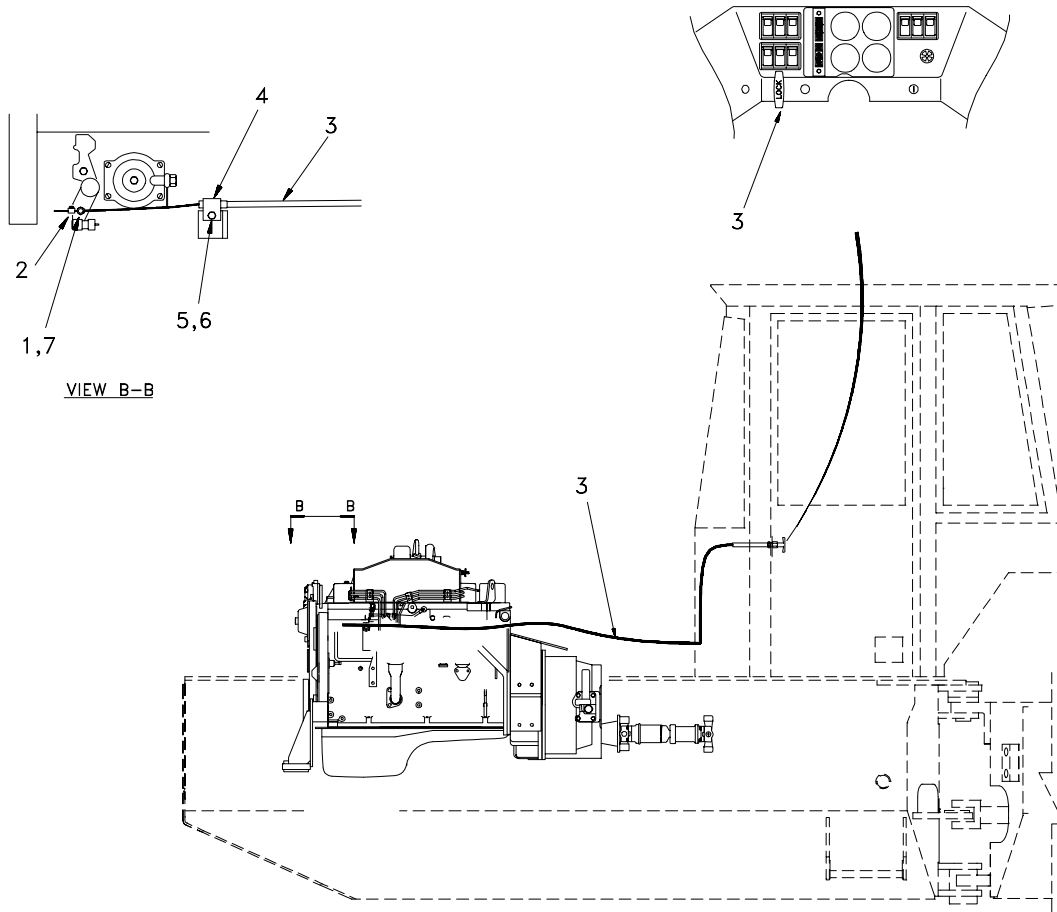
First used Unit S/N 1616

H662a17.dwg



### Accelerator and Linkage

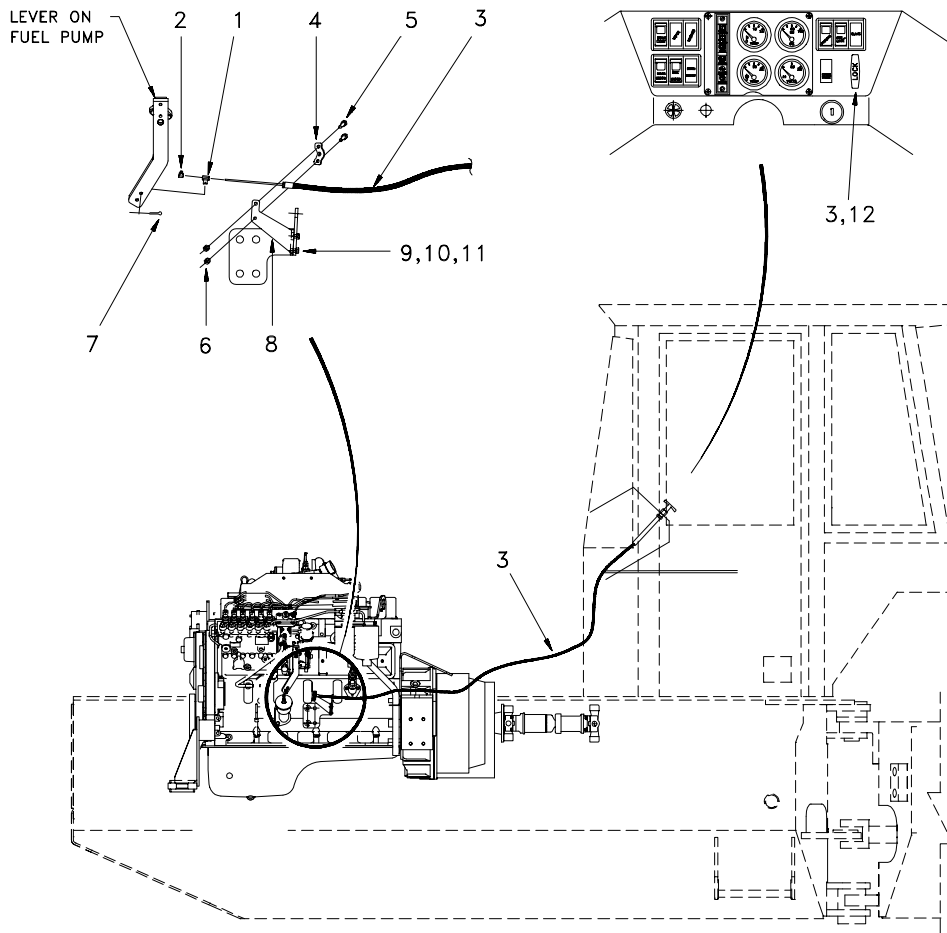
Item	Part No.	Qty	Description	Item	Part No.	Qty	Description
10	R13809553	1	Nut	17	R13803060	1	Clamp
11	R15595	1	Pedal	18	R14612	1	Spacer
12	R13810993	4	Capscrew	19	R15514	1	Lever Arm
13	R13806822	4	Nut	20	R13809364	2	Capscrew
14	R13800351	1	Pin	21	R10014	1	Ball Joint
15	R13809918	1	Clevis Pin	22	R13811225	2	Capscrew
16	R15544	1	Cable	23	R15548	1	Throttle Bracket



H662a03.dwg

### Hand Throttle

Item	Part No.	Qty	Description	Item	Part No.	Qty	Description
	<b>R11679</b>		<b>Hand Throttle</b>				
1	R10167	1	. Pivot	5	R13810989	1	. Capscrew
2	R10168	1	. Collar	6	R13811173	1	. Nut
3	R10169	1	. Cable, Hand Throttle	7	R270202	1	. Pin, Cotter
4	R10741	1	. Clip				

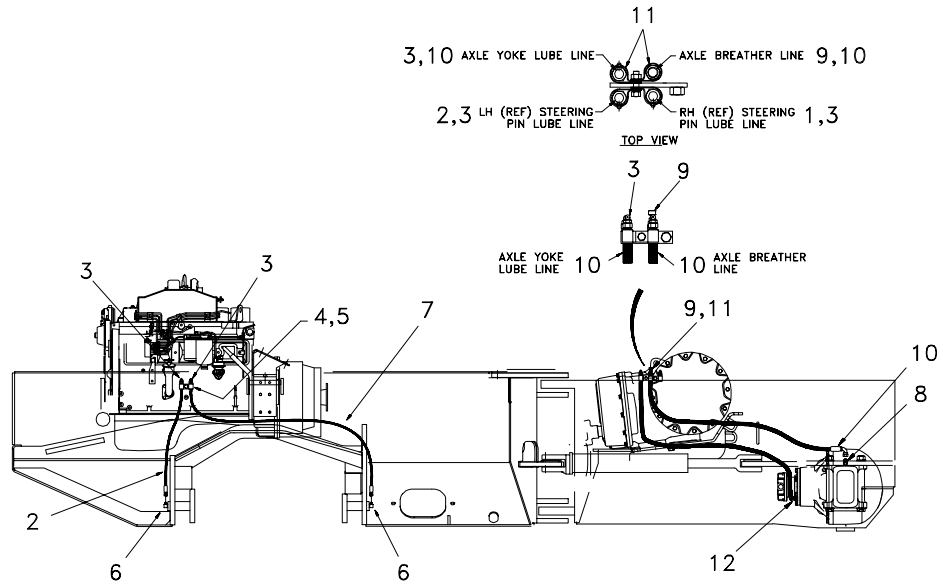


H662a15.dwg

### Hand Throttle

Item	Part No.	Qty	Description	Item	Part No.	Qty	Description
	<b>R15553</b>		<b>Hand Throttle</b>				
1	R10167	1	. Pivot	7	R270202	1	. Pin, Cotter
2	R10168	1	. Collar	8	R15552	1	. Bracket
3	R15554	1	. Cable	9	R13810992	2	. Capscrew
4	R15561	1	. Clamp	10	R13811189	2	. Nut
5	R13802341	2	. Mach Screw	11	R13811429	2	. Washer
6	R13847	2	. Nut				

Intentionally Blank

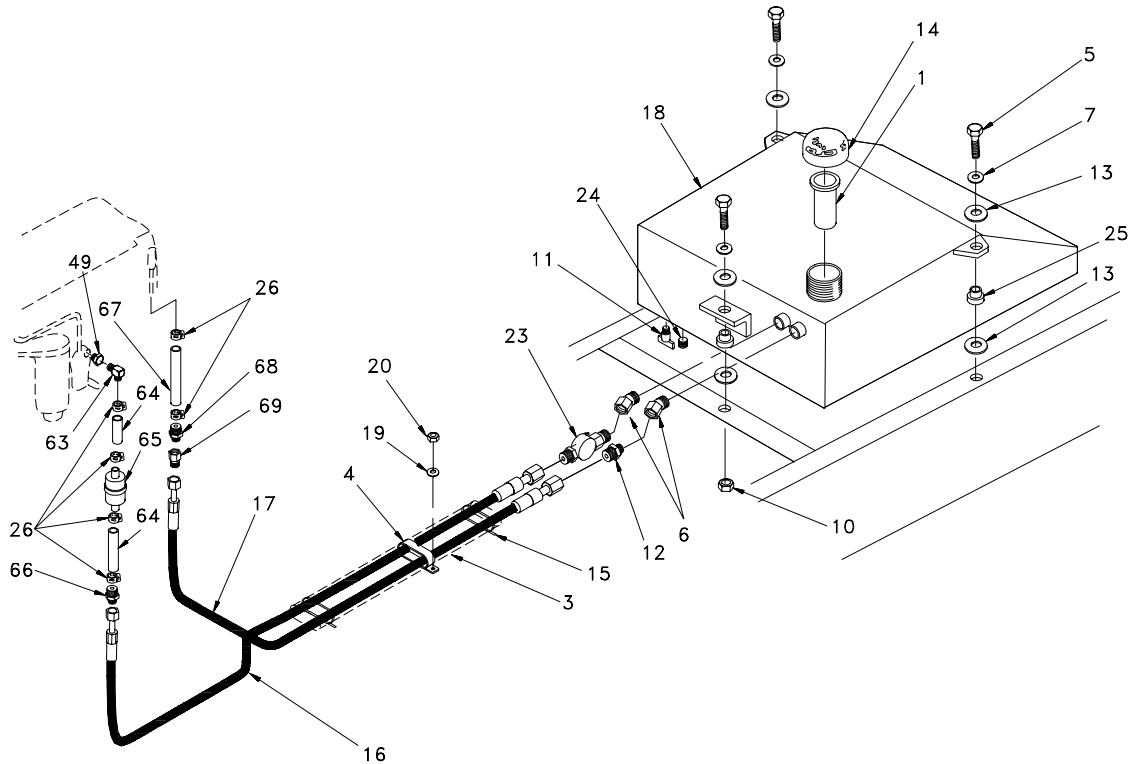


H662a02.dwg

### Lube System

Item	Part No.	Qty	Description	Item	Part No.	Qty	Description
1	R12036	1	Hose Assembly	7	R12037	1	Hose Assembly
2	R1938557	2	Hose Assembly	8	R1308031	1	Fitting
3	R13801533	5	Fitting, Lube	9	R106656	1	Breather
4	R13811225	1	Capscrew	10	R12034	1	Hose Assembly
5	R1937538	2	Clip	11	R13803042	8	Clip
6	R1931720	2	Fitting	12	R15427	1	Fitting

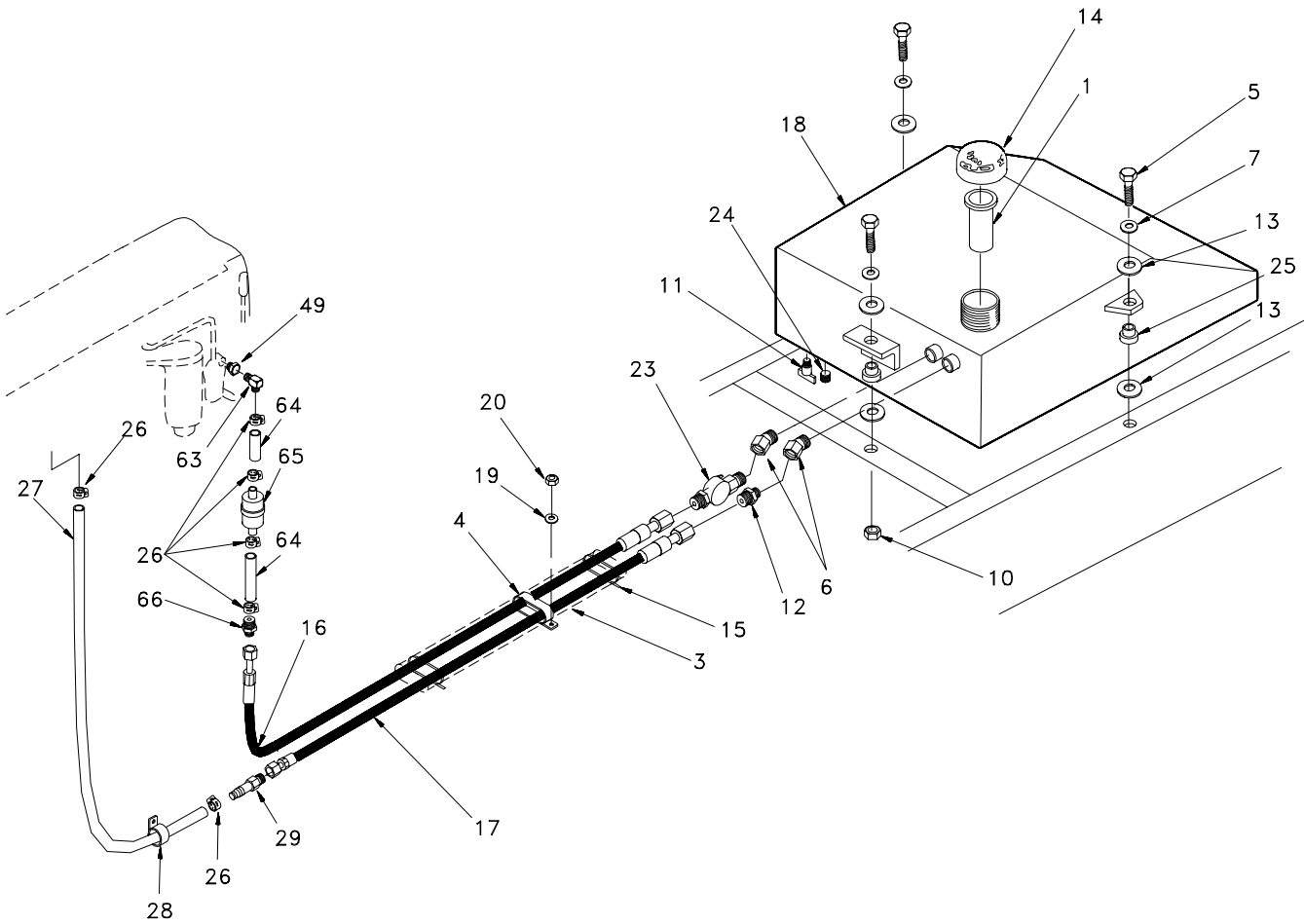
Intentionally Blank



H662a05.dwg

### Fuel Tank Installation

Item	Part No.	Qty	Description	Item	Part No.	Qty	Description
1	R12577372	1	Strainer	19	R13806980	1	Washer
3	R12577880	12'	Sleeve, Cordura	20	R13807441	1	Nut
4	R13810028	1	Clamp	23	R358394	1	Valve
5	R13811083	3	Capscrew	24	R565295	1	Plug, Magnetic
6	R13804881	2	Fitting	25	R584501	3	Mount
7	R13811433	3	Washer	26	R6515575	6	Clamp, Hose
10	R13811193	1	Nut	49	209502	1	Fitting
11	R13803844	1	Draincock	63	R12577642	1	Fitting
12	R13807392	1	Fitting	64	R656247	2	Hose, Fuel
13	R616796	6	Washer	65	R1992594	1	Filter, Fuel
14	R1558644	1	Cap, Fuel	66	R1939692	1	Fitting
15	R1736910	4	Strap, Tie	67	R1317062	1	Hose, Fuel
16	R1935206	1	Hose Assembly	68	R2388986	1	Fitting
17	R12038	1	Hose Assembly	69	R13804282	1	Fitting
18	R14457	1	Fuel Tank				



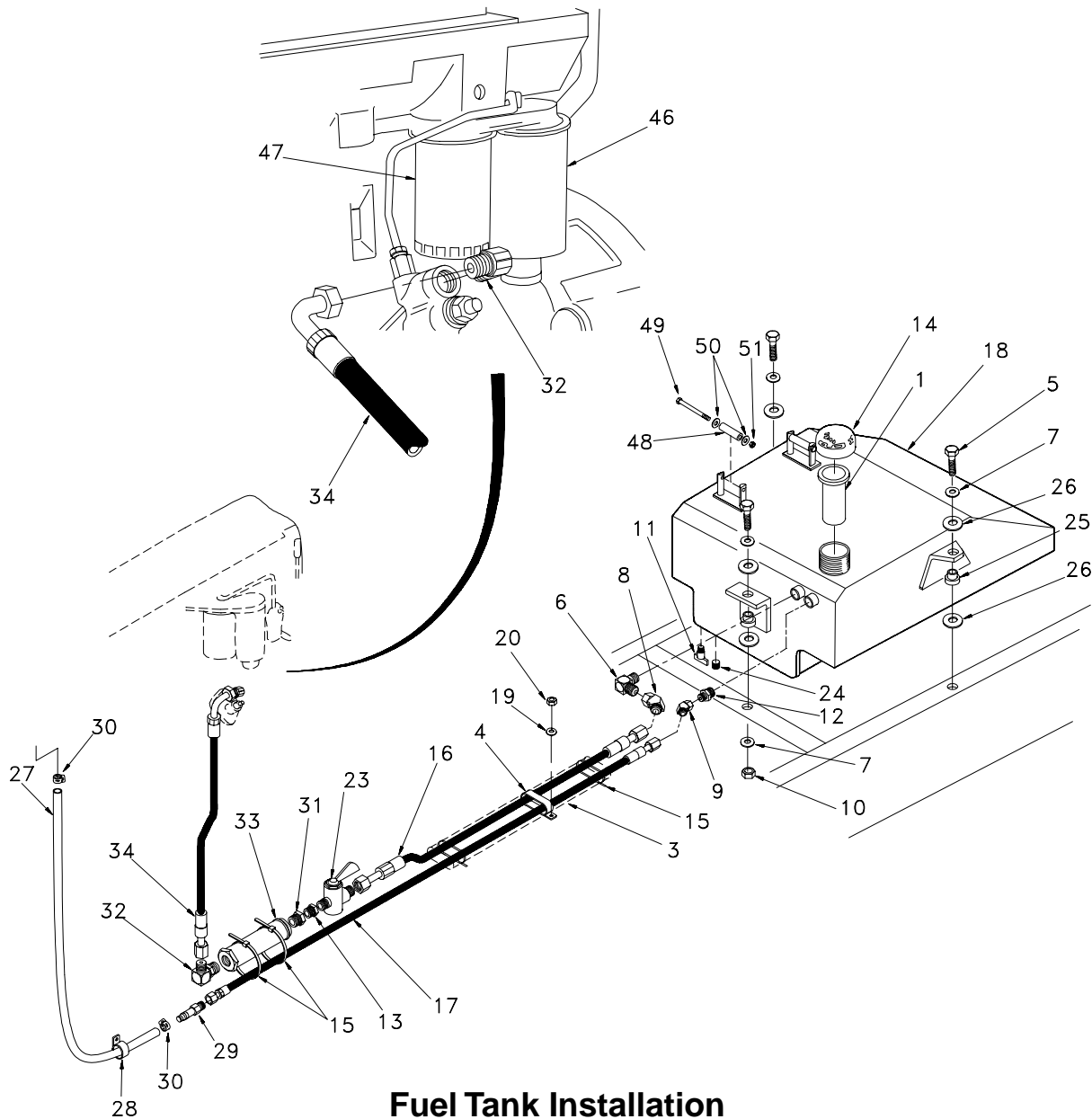
H62a13.dwg

### Fuel Tank Installation

Item	Part No.	Qty	Description	Item	Part No.	Qty	Description
1	R12577372	1	Strainer	19	R13806980	1	Washer
3	R12577880	13'	Sleeve, Cordura	20	R13807441	1	Nut
4	R13810028	1	Clamp	23	R358394	1	Valve
5	R13811083	3	Capscrew	24	R565295	1	Plug, Magnetic
6	R13804881	2	Fitting	25	R584501	3	Mount
7	R13811433	3	Washer	26	R6515575	6	Clamp, Hose
10	R13811193	1	Nut	27	R15557	1	Hose, Fuel
11	R13803844	1	Draincock	28	R13807642	1	Clamp
12	R13807392	1	Fitting	29	26523	1	Fitting
13	R616796	6	Washer	49	209502	1	Fitting
14	R1558644	1	Cap, Fuel	63	R12577642	1	Fitting
15	R1736910	4	Strap, Tie	64	R656247	2	Hose, Fuel
16	R14759	1	Hose Assembly	65	R1992594	1	Filter, Fuel
17	R14758	1	Hose Assembly	66	R1939692	1	Fitting
18	R15524	1	Fuel Tank				



First used Unit S/N 1



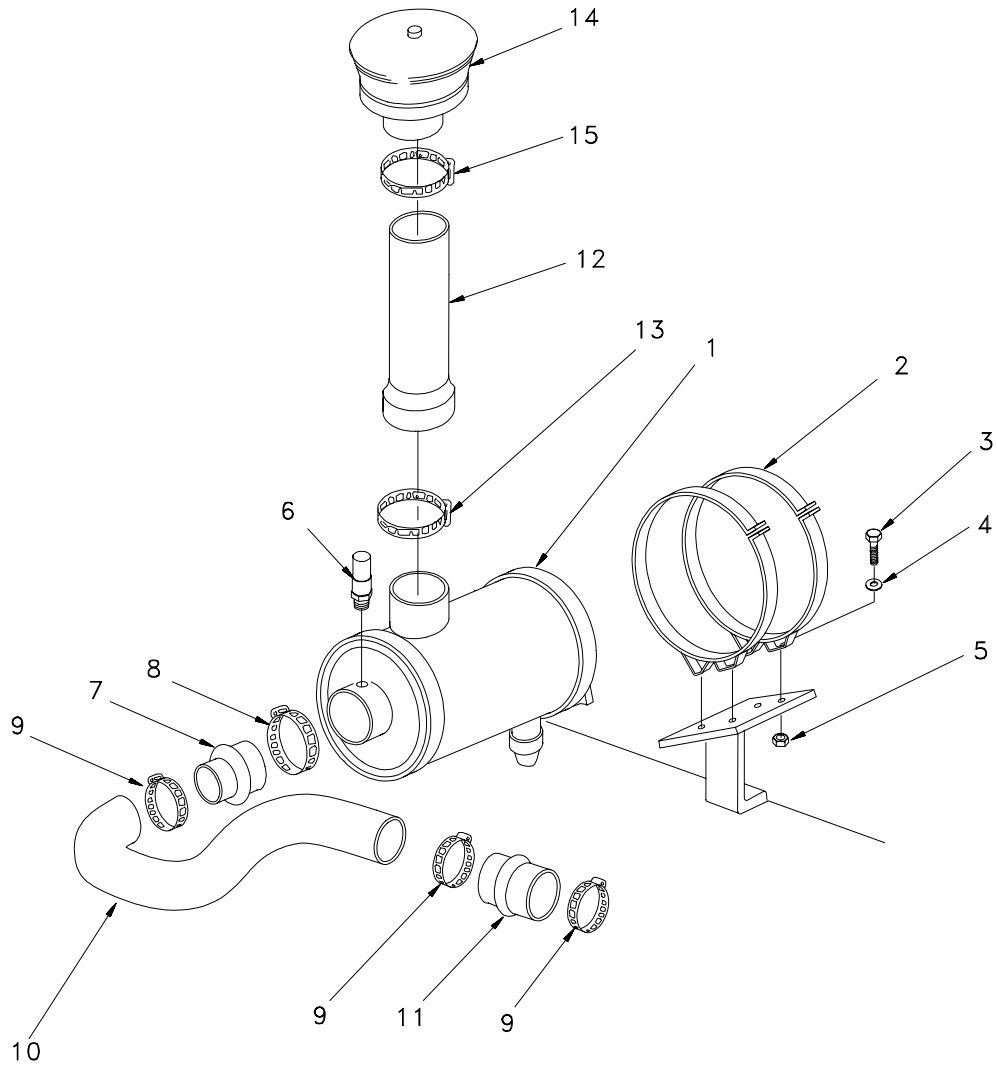
H662a19.dwg

### Fuel Tank Installation

Item	Part No.	Qty	Description	Item	Part No.	Qty	Description
1	R12577372	1	Strainer	25	R584501	3	Mount
3	R12577880	13'	Sleeve,Cordura	26	R616796	6	Washer
4	R13810028	1	Clamp	27	R15557	1	Hose
5	R13811083	3	Capscrew	28	R13807642	1	Clamp
6	209411	1	Fitting	29	26523	1	Fitting
7	R13811433	4	Washer	30	R6515575	2	Clamp, Hose
8	214229	1	Fitting	31	*a 209757	1	Fitting
9	217206	1	Fitting	32	*a 209413	2	Fitting
10	R13811193	1	Nut	33	*a R16850	1	Filter Assembly
11	R13803844	1	Draincock		*a R15492	1	. Filter Element
12	R13807392	1	Fitting	34	*a 234936	1	Hose Assembly
13	209504	1	Fitting	46	R1992366	1	Filter, Primary
15	*a R1736910	4	Strap,Tie	47	R1992367	1	Filter, Secondary
16	R14759	1	Hose Assembly	48	R16727	2	Roller
17	R14758	1	Hose Assembly	49	R13808484	2	Capscrew
18	R17775	1	Fuel Tank	50	R13812213	4	Washer
19	R13806980	1	Washer	51	R13811189	2	Nut
20	223654	1	Nut				
23	R358394	1	Valve				
24	R565295	1	Plate				

\*a Included in R16950 Service Kit

Intentionally Blank

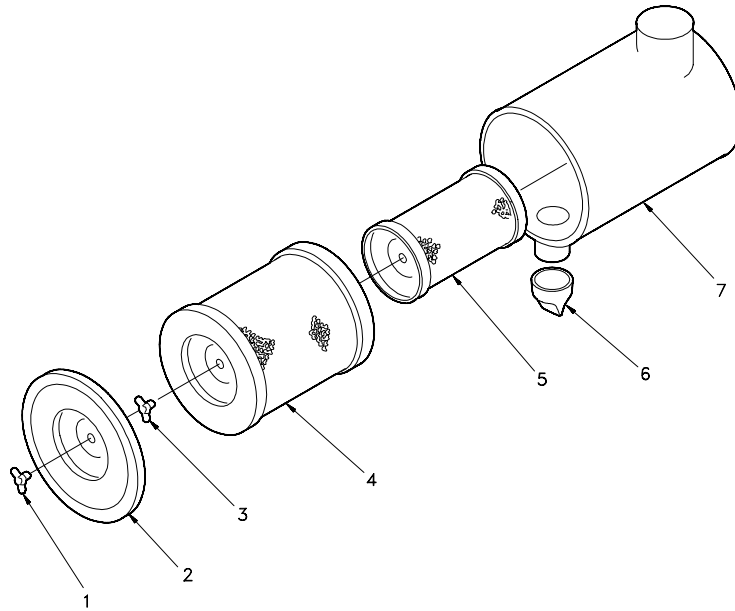


2a06.dwg

### Air Intake

Item	Part No.	Qty	Description	Item	Part No.	Qty	Description
1	* R10396	1	Air Cleaner (2-5.2)	10	R13943	1	Tube
2	R10605	2	Band	11	*a R10422	1	Bellows
3	R13811035	4	Capscrew		R15532	1	Bellows
4	R13811431	4	Washer	12	R15106	1	Tube
5	R13811191	4	Nut	13	R1500453	1	Clamp
6	R1529625	1	Indicator	14	* R1939109	1	Pre Cleaner (2-5.3)
7	R14505	1	Bellows	15	R13808431	1	Clamp
8	*a R13809949	1	Clamp	16	*a R13809945	1	Clamp
	202259	1	Clamp				
9	*a R13809947	2	Clamp				
	207147	3	Clamp				

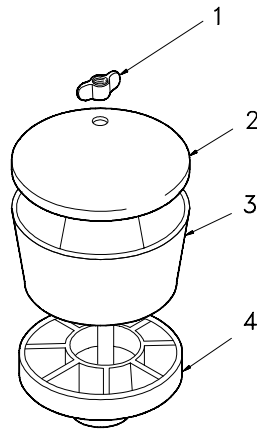
\*a Last used Unit S/N 1615



2a07.dwg

### Air Cleaner Assembly

Item	Part No.	Qty	Description	Item	Part No.	Qty	Description
	<b>R10396</b>		<b>Air Cleaner Assembly</b>				
1	R1991857	1	. Wing Nut	5	R12607137	1	. Primary Filter Element
2	NSS	1	. Cover	6	R9032514	1	. Vacuator
3	R1991856	1	. Wing Nut	7	NSS	1	. Body
4	R12607138	1	. Safety Filter Element				

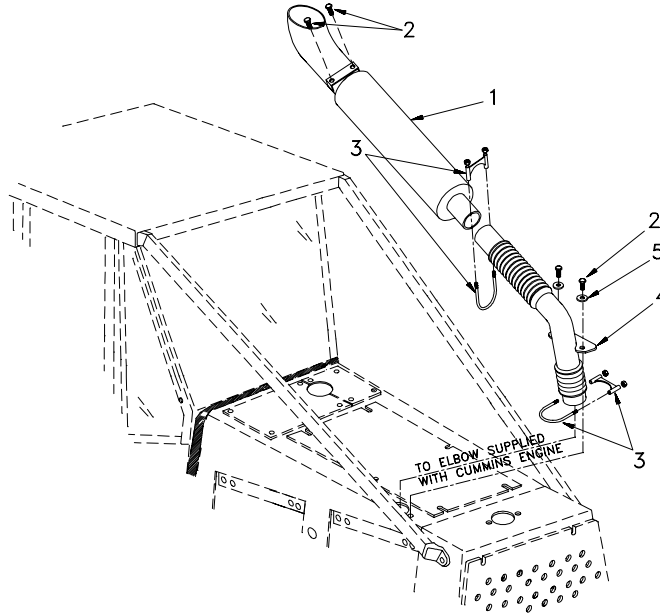


2a08.dwg

### Air Pre-Clean Intake Cap

Item	Part No.	Qty	Description	Item	Part No.	Qty	Description
	<b>R1939109</b>		<b>Air Pre-Clean Intake Cap</b>				
1	R1991882	1	. Wing Nut	3	R3984429	1	. Body
2	R3984428	1	. Cover	4	NSS	1	. Adapter

Last used Unit S/N 1615

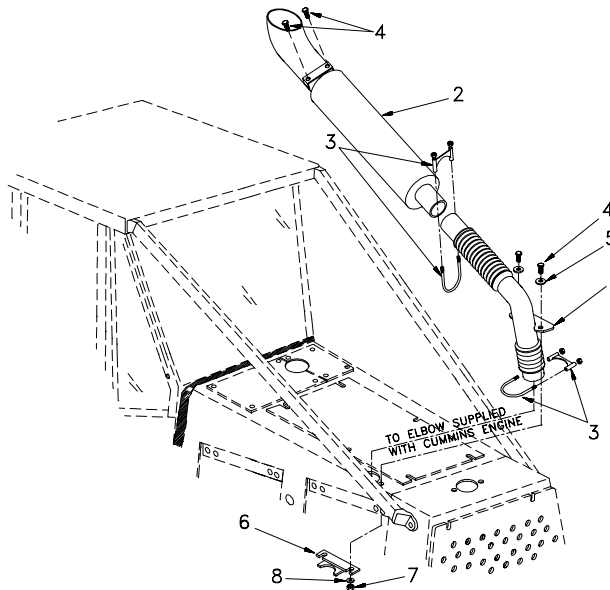


2a09.dwg

### Exhaust System

Item	Part No.	Qty	Description	Item	Part No.	Qty	Description
1	R17500	1	Muffler	4	R14657	1	Tube
2	R13811035	4	Capscrew	5	R13811431	2	Washer
3	R10243	2	Clamp				

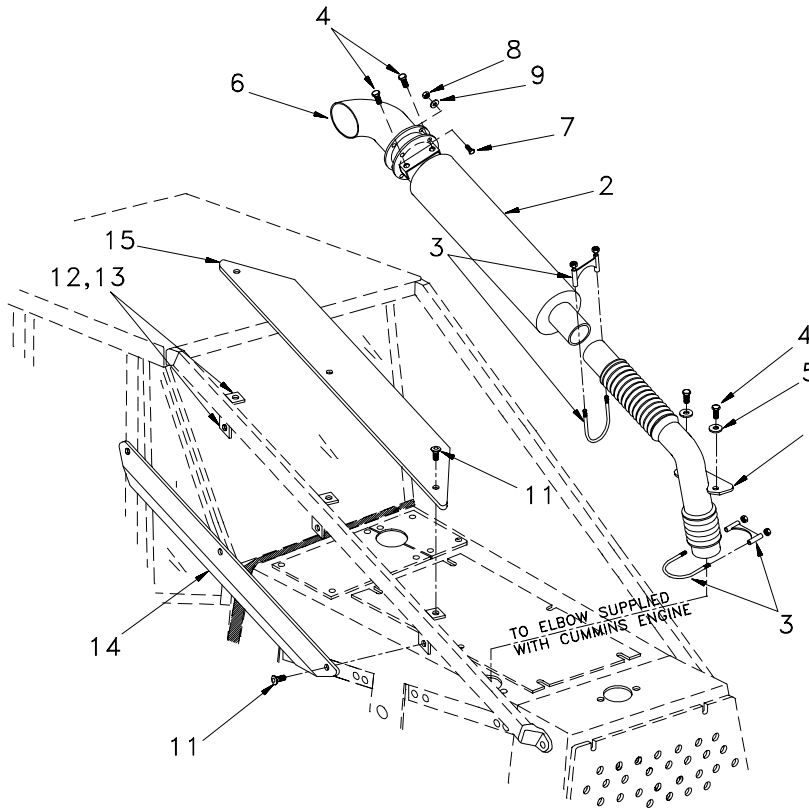
First used Unit S/N 1616



2a18.dwg

### Exhaust System

Item	Part No.	Qty	Description	Item	Part No.	Qty	Description
1	R15466	1	Exhaust Tube	5	R13811431	2	Washer
2	R17500	1	Muffler	6	R15571	1	Exhaust Bracket
3	R10243	2	Clamp, Band	7	R13811190	2	Nut
4	R13811035	4	Capscrew	8	R13802914	2	Washer



2a20.dwg

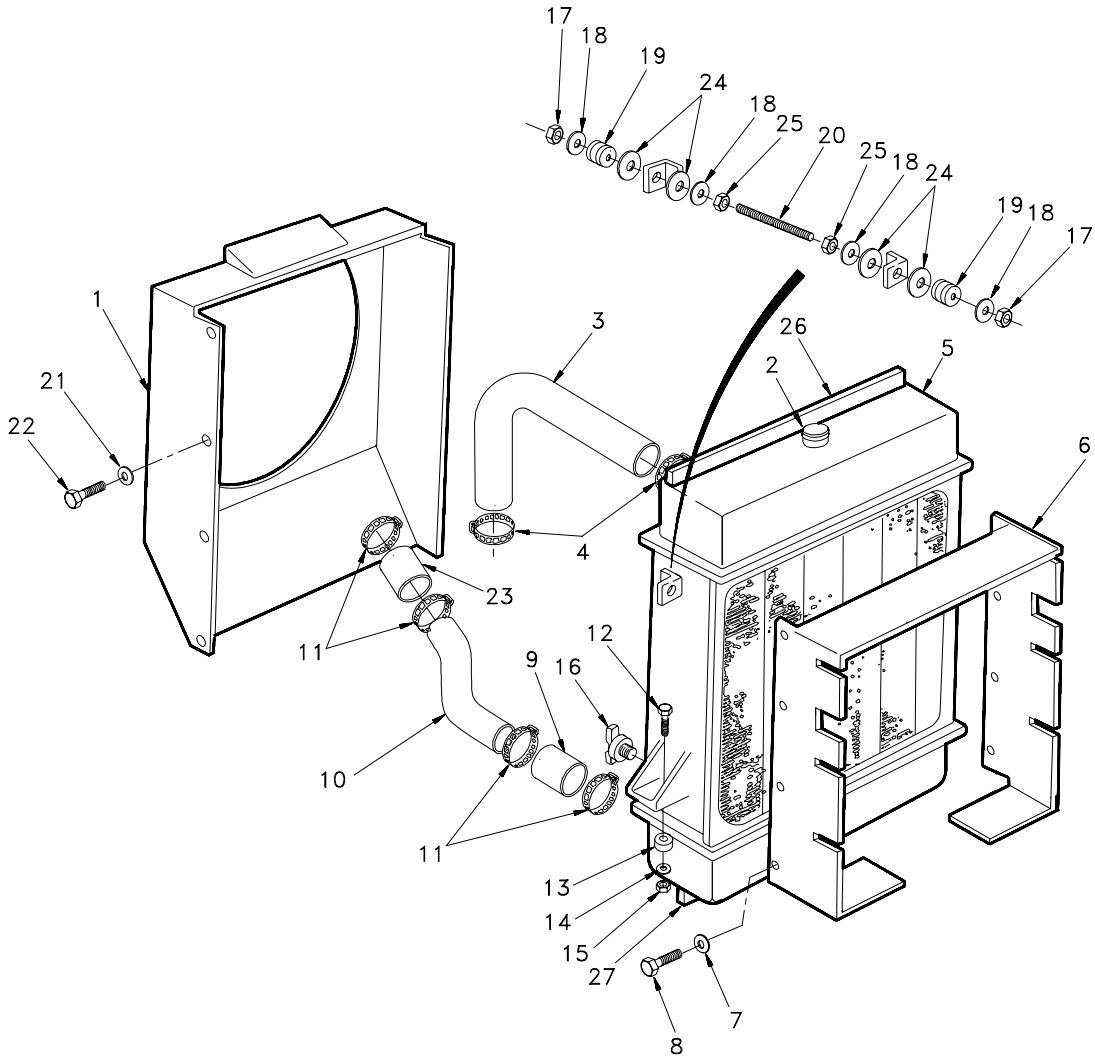
### Exhaust System

Item	Part No.	Qty	Description	Item	Part No.	Qty	Description
1	R15466	1	Exhaust Tube	9	R13811429	4	Washer
2	R18278	1	Muffler	11	*a R13803897	6	Capscrew
3	R10243	2	Clamp	12	*a R13806221	6	Nut, Weld
4	R13811035	4	Capscrew	13	*a R17184	6	Bar
5	R13811431	2	Washer	14	*a R18227	1	Plate, Side
6	R18274	1	Exhaust Tip	15	*a R18228	1	Plate, Top
7	R13810993	4	Capscrew				
8	R13811189	4	Nut				

\*a Included in Optional Muffler Guard Kit P/N R18229

Intentionally Blank

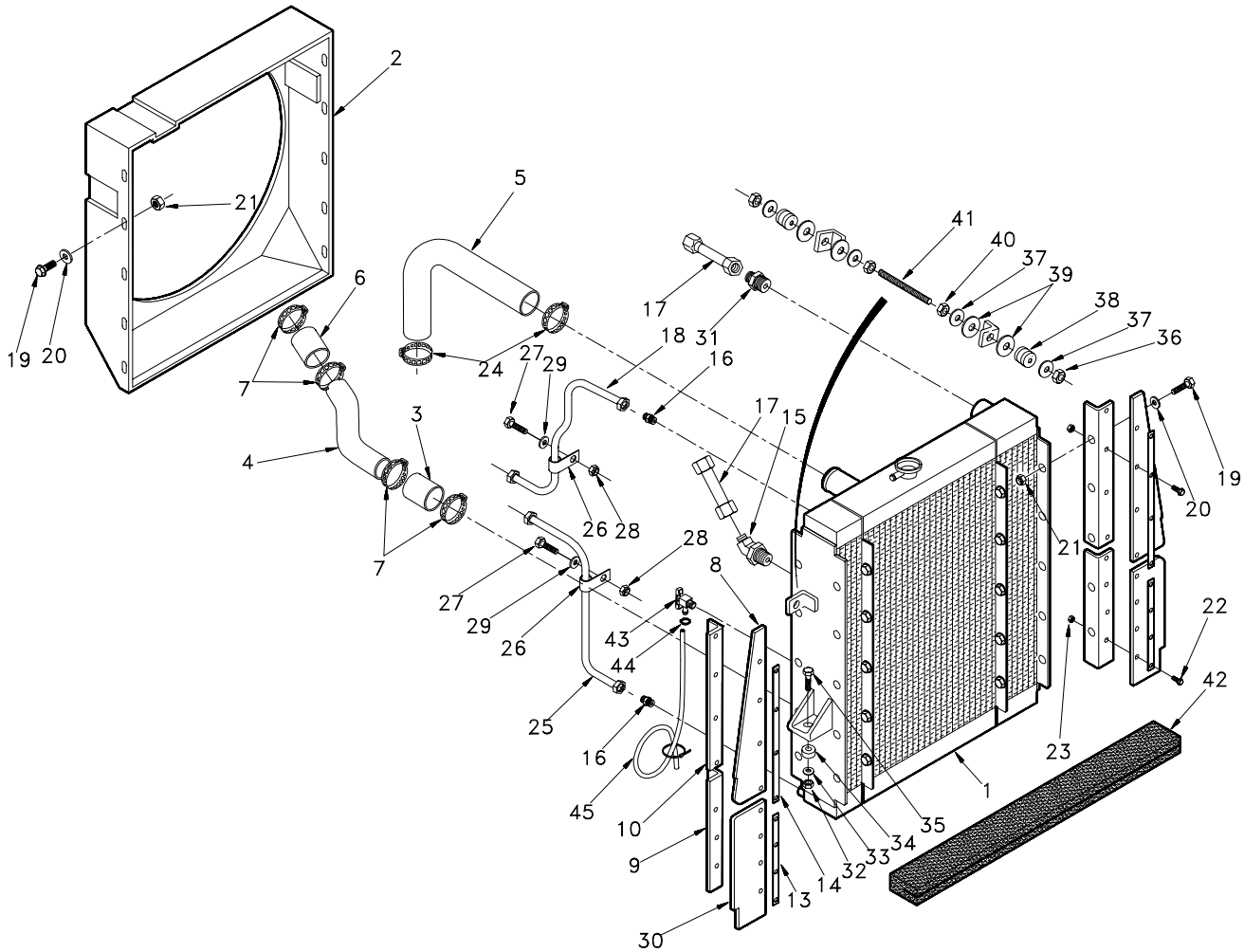




2a10.dwg

### Radiator Installation

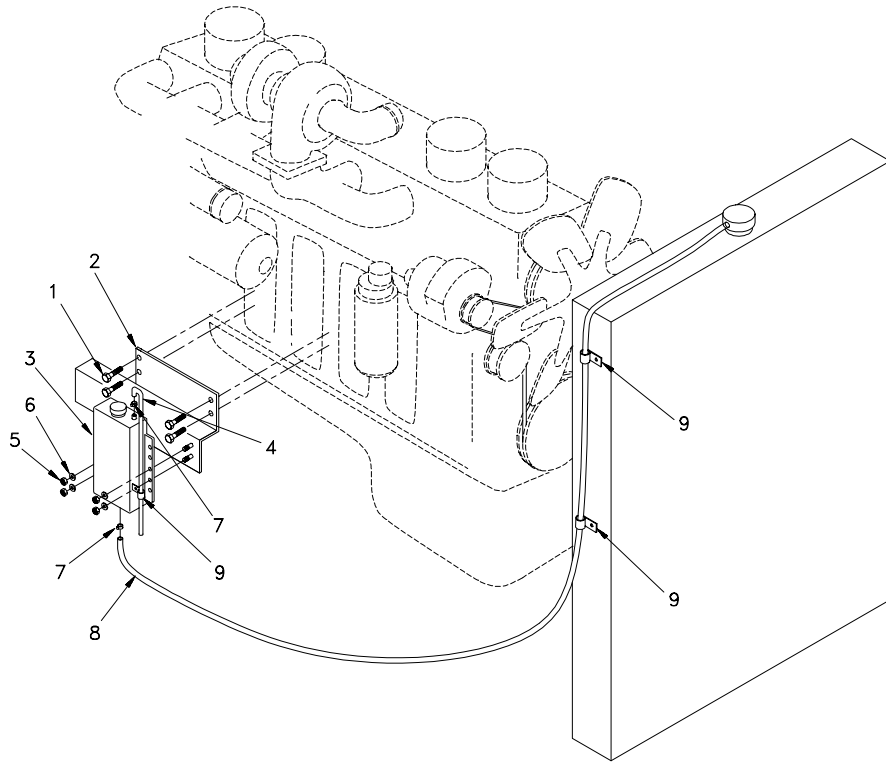
Item	Part No.	Qty	Description	Item	Part No.	Qty	Description
1	R1938201	1	Rear Shroud	15	R13811193	2	Nut
2	R11519	1	Radiator Cap	16	R6513679	1	Draincock
3	R11840	1	Hose	17	R13811191	4	Nut
4	R13803348	2	Clamp	18	R12569926	8	Washer
5	* R10203	1	Radiator (2 - 6.3)	19	R4086970	4	Mount
6	R13907	1	Baffle	20	R12569924	2	Rod
7	R616880	16	Washer	21	R616880	16	Washer
8	R13810991	16	Bolt	22	R13810991	16	Capscrew
9	R15149	1	Hose	23	R13804503	1	Hose
10	R1938205	1	Tube	24	R12569925	8	Washer
11	R13803349	4	Clamp, Hose	25	R13809556	4	Nut
12	R13811079	2	Capscrew	26	R1939241	1	Foam Strip
13	R569739	2	Mount	27	R12571287	1	Foam Strip
14	R616796	2	Washer				



2a13.dwg

## Radiator Installation

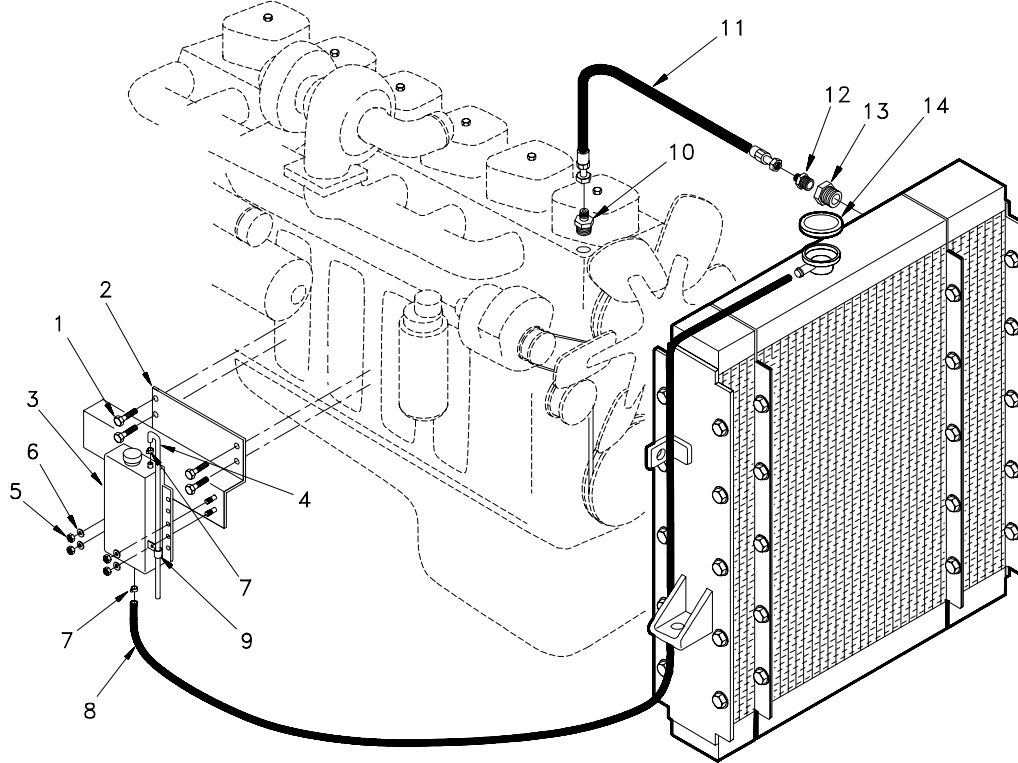
Item	Part No.	Qty	Description	Item	Part No.	Qty	Description
1	* 243996	1	Radiator/Cooler (2-6.6)	24	218977	2	Clamp
2	R17829	1	Shroud	25	R18392	1	Tube
3	R15149	1	Hose	26	R13803044	2	Clip
4	R1938205	1	Tube	27	237566	2	Capscrew
5	R18551	1	Hose	28	224131	2	Nut
6	R13804503	1	Hose	29	R13806980	2	Washer
7	R13803349	4	Clamp	30	R18450	2	Baffle
8	R17815	2	Baffle	31	209323	1	Fitting
9	R18021	1	Bracket	32	R13811193	2	Nut
10	R17817	1	Bracket	33	R616796	2	Washer
13	R17819	2	Bar	34	R569739	2	Mount
14	R17820	2	Bar	35	R13811079	2	Capscrew
15	209147	2	Fitting	36	R13811191	4	Nut
16	209208	2	Fitting	37	R12569926	8	Washer
17	R18174	2	Tube	38	R4086970	4	Mount
18	R18391	1	Tube	39	R12569925	8	Washer
19	R13811037	20	Capscrew	40	R13809556	4	Nut
20	R13806980	20	Washer	41	R12569924	2	Rod
21	R13804124	20	Nut	42	R1939241	1	Foam Strip
22	R13810991	14	Capscrew	43	R6513679	1	Draincock
23	R13807439	14	Nut				



2a11.dwg

### Coolant Recovery Tank Installation

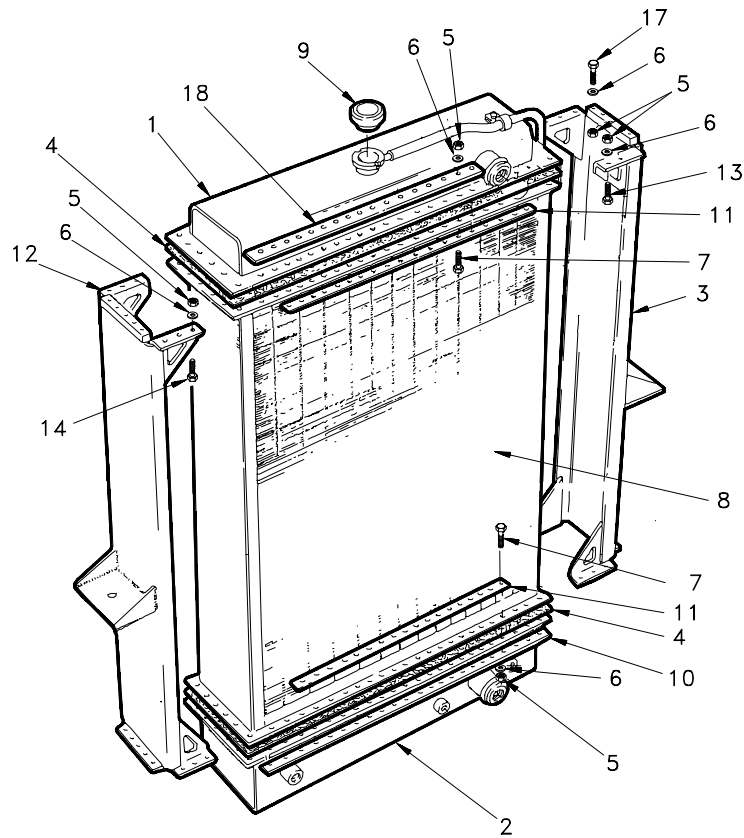
Item	Part No.	Qty	Description	Item	Part No.	Qty	Description
1	R13811225	4	Capscrew	6	R13811431	4	Washer
2	R11651	1	Bracket	7	R6515575	2	Clamp
3	R11166	1	Bottle	8	R12000059	8'	Hose
4	R12000059	2'	Hose	9	R13803035	1	Clip
5	R13811191	4	Nut				



2b11.dwg

### Coolant Recovery Tank Installation

Item	Part No.	Qty	Description	Item	Part No.	Qty	Description
1	R13811225	4	Capscrew	8	R12000059	8'	Hose
2	R11651	1	Bracket	9	R13803035	1	Clip
3	R11166	1	Bottle	10	16268	1	Fitting
4	R12000059	2'	Hose	11	216784	1	Hose Assembly
5	R13811191	4	Nut	12	229666	1	Fitting
6	R13811431	4	Washer	13	23944	1	Fitting
7	R6515575	2	Clamp	14	R11519	1	Cap



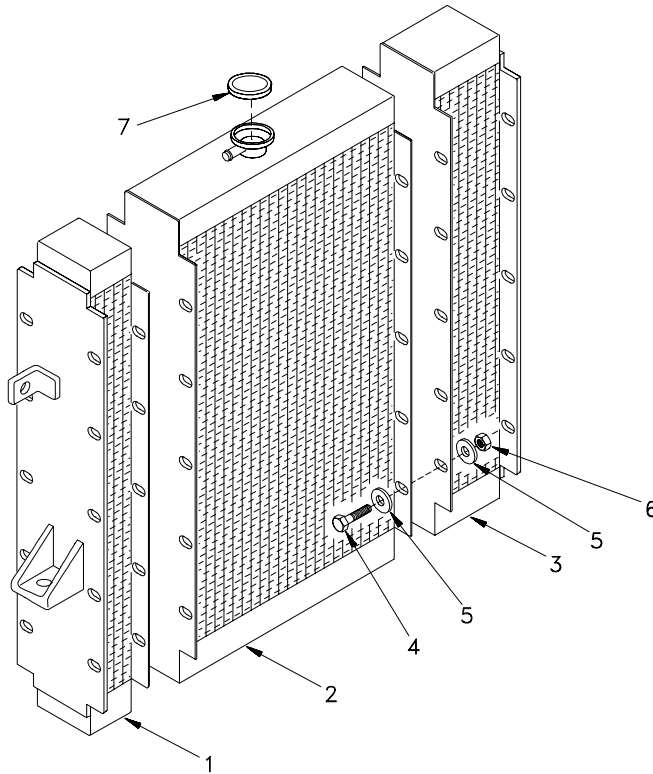
2a12.dwg

### Radiator

Item	Part No.	Qty	Description	Item	Part No.	Qty	Description
	<b>R10203</b>		<b>Radiator</b>				
1	R13858	1	. Tank Top	12	R1992630	1	. Side, RH
2	R13857	1	. Bottom Tank	13	R13800171	8	. Capscrew
3	R1992631	1	. Side, LH	14	R13800175	24	. Capscrew
4	*a _____	4	. Gasket	15	R12000059	1	. Tube
	*a _____	4	. Gasket	16	R13865	1	. Bar
5	R13811512	68	. Nut	17	R13863	1	. Plug
6	R13806978	88	. Washer	18	R13860	1	. Plug
7	R13800173	35	. Capscrew	19	R13861	1	. Plug
8	R13856	1	. Core	20	R13862	1	. Plug
	*b R13867	2	. Bracket	21	R13800159	20	. Capscrew
	*b R13868	2	. Pad	22	R13866	1	. Bar
9	R11519	1	. Cap				
10	R13864	3	. Bar				
11	R13859	4	. Bar				

\*a Seal Kit P/N R11584 (Qty 2 For Complete Radiator)

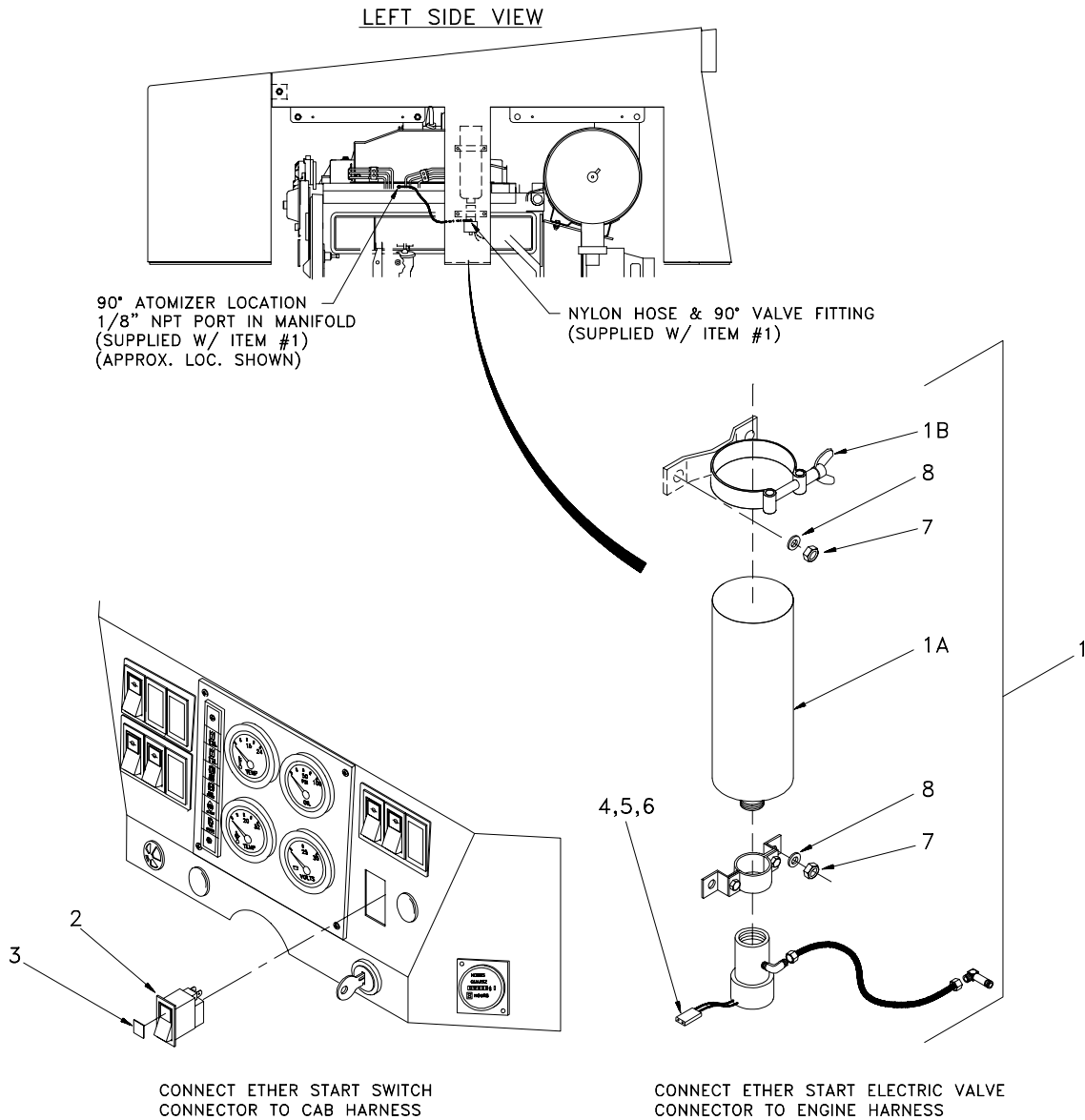
\*b Not Illustrated



2a21.dwg

### Radiator

Item	Part No.	Qty	Description	Item	Part No.	Qty	Description
	<b>243996</b>		<b>Radiator</b>				
1	244524	1	. Hydraulic Oil Cooler	6	R13804124 20		. Nut
2	244523	1	. Radiator Core	7	* - - - - -	1	Radiator Cap
3	244522	1	. Torque Converter Oil Cooler				
4	R13811035	20	. Capscrew				* Reference only - See Section 2-6.4
5	R13806980	40	. Washer				



2a016.dwg

## Ether Start

Item	Part No.	Qty	Description	Item	Part No.	Qty	Description
	<b>15509</b>		<b>Ether Start, 24V</b>				
1	R15542	1	. Quick Start Kit, 24V	4	238158	1	. Connector, Wire
1A	214905	1	. Tank, Starter Fluid	5	238147	2	. Pin, Female
1B	R15497	1	. Clamp, Tank	6	238142	2	. Seal, Wire
2	R13656	1	. Switch, 24V	7	R13811190	4	. Nut
3	R15512	1	. Symbol, Ether Start	8	R13802914	4	. Washer

Intentionally Blank



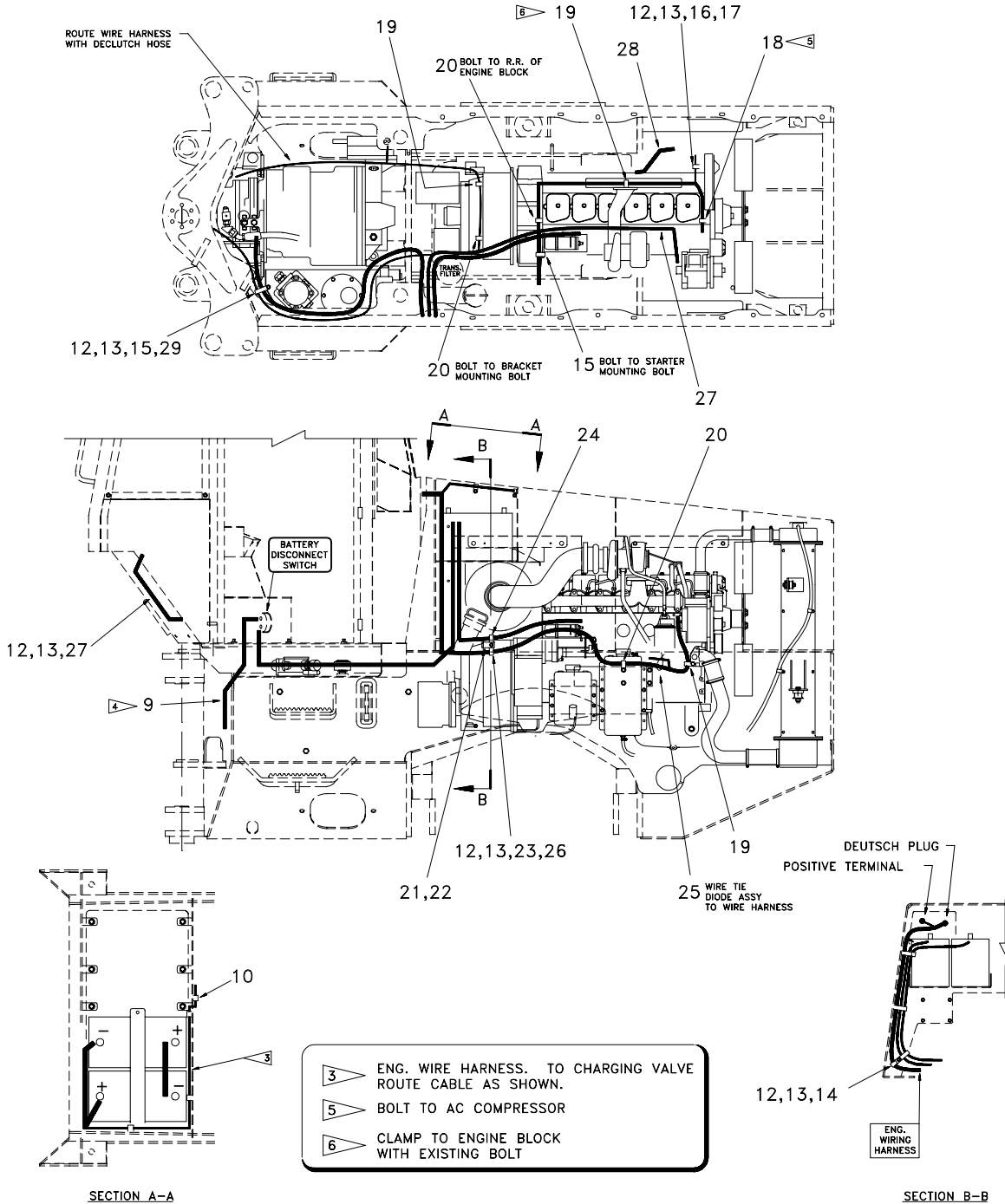
## Section 3

### Electrical System

<b>Page No.</b>	<b>Description</b>
<b>3-1</b>	<b>Systems and Circuits</b>
3-1.1	Electrical System
3-1.4	Engine Electrical
3-1.6	Cab Electrical System
3-1.8	Battery Cable/Disconnect
<b>3-2</b>	<b>Components</b>
<b>3-3</b>	<b>Miscellaneous</b>

Intentionally Blank

Last used Unit S/N 1615



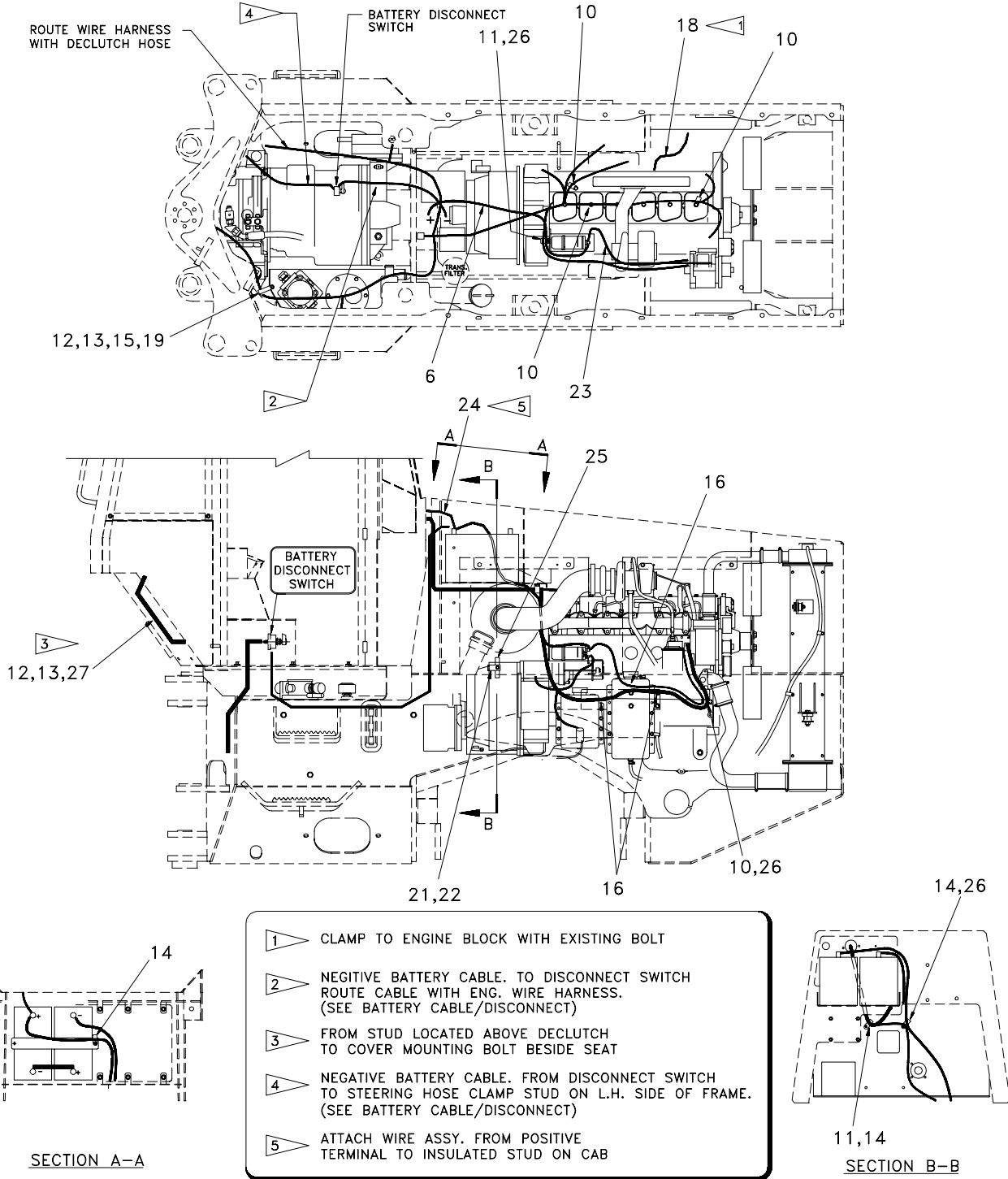
3a01.dwg

### Electrical System

Item	Part No.	Qty	Description	Item	Part No.	Qty	Description
10	R13803035	4	Clip	21	R14589	1	Bracket
12	R13811191	6	Nut	22	R13811056	1	Capscrew
13	R13811431	7	Washer	23	R13803051	1	Clip
14	R13808101	1	Clip	24	R13803047	1	Clip
15	R13810028	3	Clamp	25	R1736910	1	Strap, Tie
16	R13811037	1	Capscrew	26	R13811035	1	Capscrew
17	R13801359	1	Clip	27	R10696	1	Wire Harness
18	R13803034	1	Clip	28	R1905013	1	Ground Cable
19	R13803039	3	Clip	29	R1935327	1	Spacer
20	R1937538	3	Clip				

Intentionally Blank

First used Unit S/N 1616

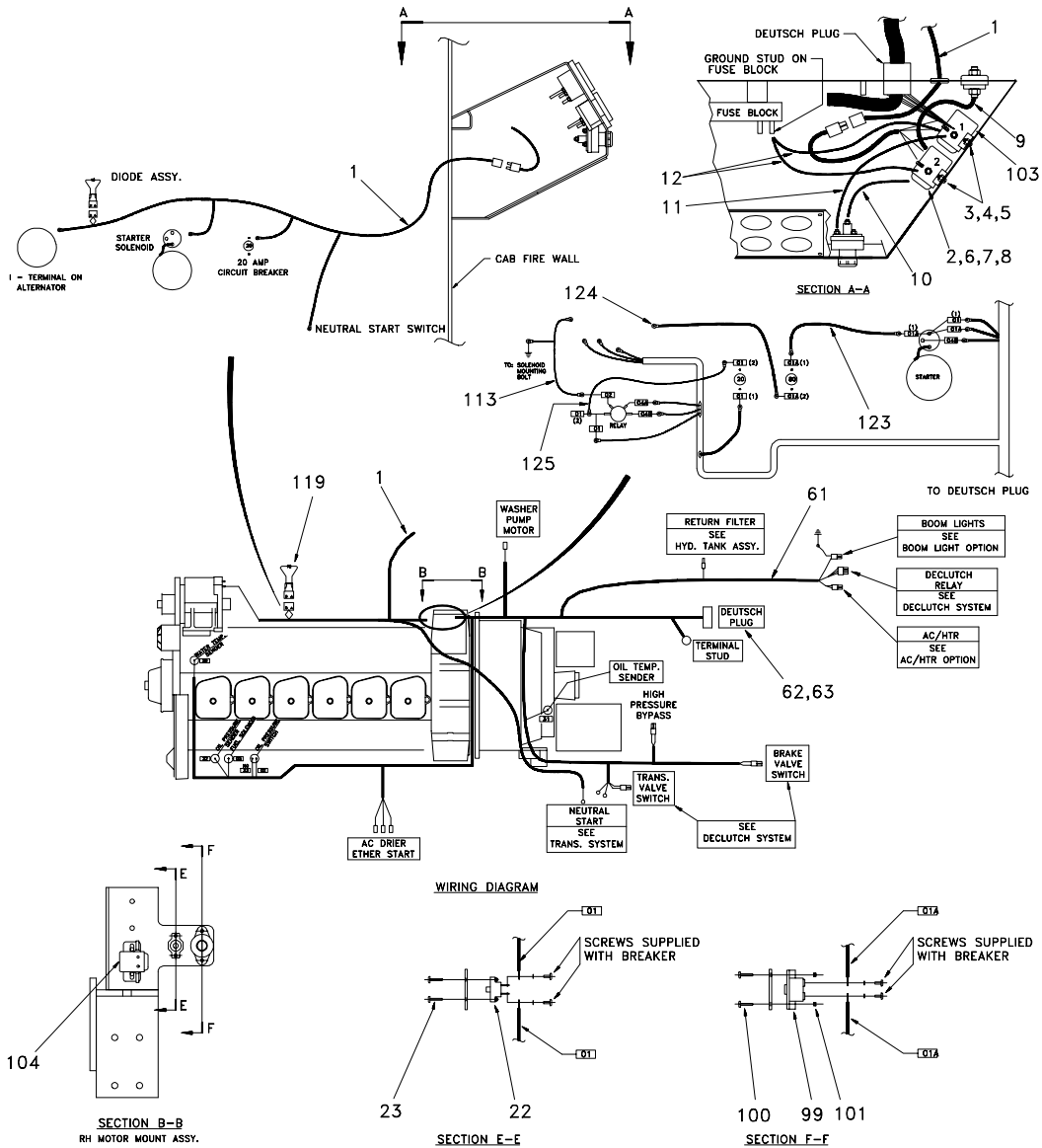


3a05.plt

### Electrical System

Item	Part No.	Qty	Description	Item	Part No.	Qty	Description
10	R13803034	4	Clip	19	R1935327	1	Spacer
11	R13803042	2	Clip	21	R14589	1	Bracket
12	R13811191	6	Nut	22	R13811056	1	Capscrew
13	R13811431	7	Washer	23	R15540	1	Alternator Cable
14	R13803040	3	Clip	24	R15546	1	Battery Cable
15	R13810028	3	Clamp	25	R13803059	1	Clip
16	R1736910	1	Strap, Tie	26	R13811225	3	Capscrew
17	R10696	1	Wire Harness	27	R13807642	2	Clip
18	R1905013	1	Ground Cable				

Last used Unit S/N 1615

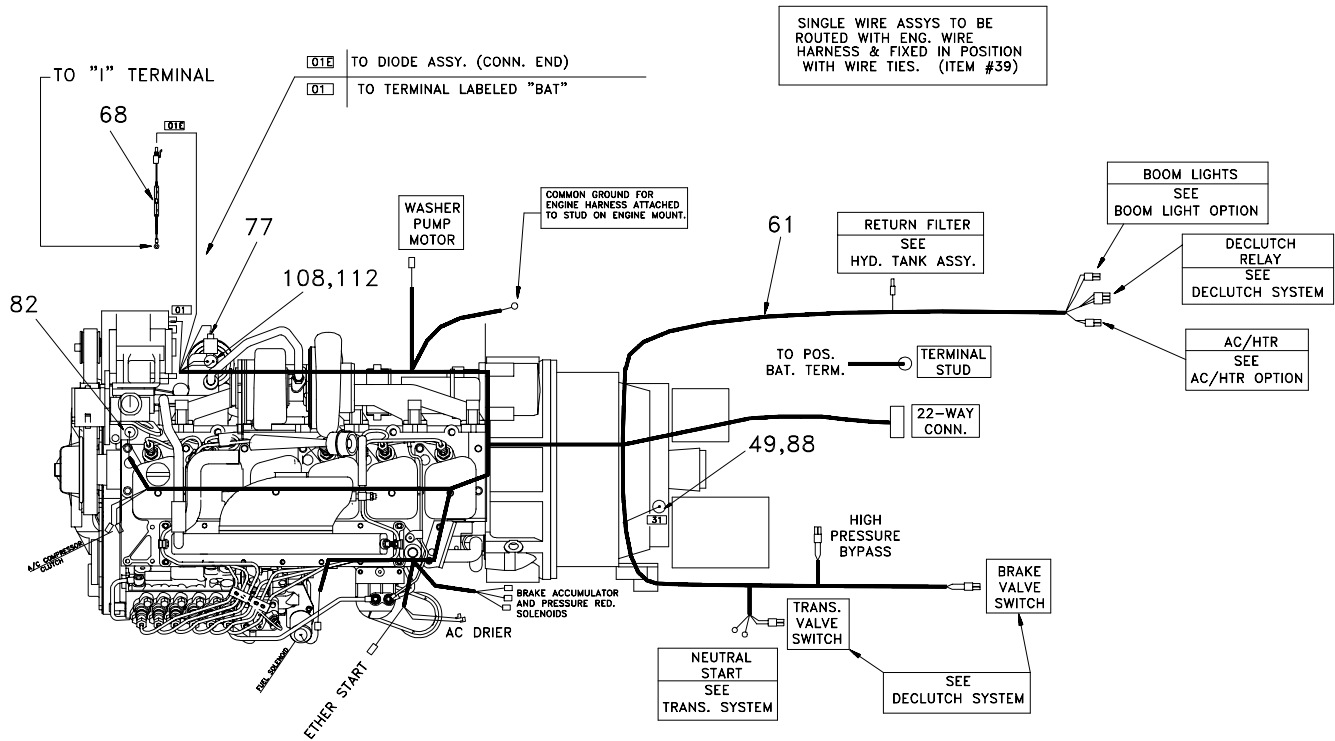


H663b03.dwg

## Engine Electrical

Item	Part No.	Qty	Description	Item	Part No.	Qty	Description
1	*a R15943	1	. Wire Harness	88	*b R13822	1	Oil Temperature Sender
2	*a 229301	1	. Relay		*c 242463	1	Oil Temperature Sender
3	*a R13810990	4	. Capscrew	99	R13663	1	Circuit Breaker
4	*a R13807439	4	. Nut	100	R13813197	2	Machine Screw
5	*a R13812213	8	. Washer	101	R13812444	2	Nut
6	*a 240375	1	. Nut	103	R13652	1	Relay, Solenoid
7	*a R13807897	1	. Capscrew	104	R13660	1	Relay, 24V
8	*a R13812513	2	. Washer	105	R13810992	4	Capscrew
9	*a R15947	1	. Wire Harness	106	R13811429	4	Washer
10	*a R15946	1	. Wire Harness	107	R13811189	4	Nut
11	*a R15945	1	. Wire Harness	108	R636260	1	Oil Pressure Switch
12	*a R15944	2	. Wire Harness	113	R13851	1	Wire Harness
22	R13664	1	Circuit Breaker	119	R14432	1	Diode
23	R13813167	2	Machine Screw	123	R14500	1	Wire Assembly
61	R13852	1	Wiring Harness	124	R14501	1	Wire Assembly
62	R11184	1	. Deutsch Plug (female)	125	R14502	1	Wire Assembly
63	R11248	1	. Deutsch Plug (male)				
76	R1517252	2	Fitting				
77	*b R13824	1	Oil Pressure Sender				
	*c 242461	1	Oil Pressure Sender				
82	*b R13823	1	Water Temperature Sender				
	*c 242462	1	Water Temperature Sender				

\*a Included in R159481 Relay Installation Kit  
 \*b Last used on Unit S/N 1611  
 \*c First used on Unit S/N 1612



WIRING DIAGRAM

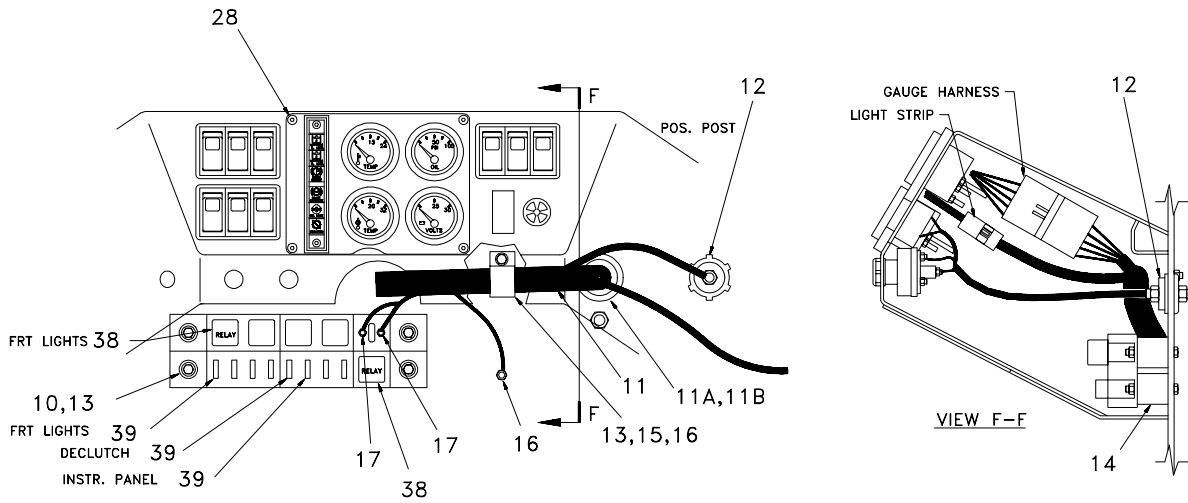
TO TERMINAL LABELED "I"  
TO TERMINAL LABELED "BAT"

SINGLE WIRE ASSYS. TO BE  
ROUTED WITH ENG. WIRE HARNESS  
& FIXED IN POSITION WITH  
WIRE TIES. (ITEM #126)

3a06.plt

### Engine Electrical

Item	Part No.	Qty	Description	Item	Part No.	Qty	Description
49	209502	2	Fitting	77	242461	1	Oil Pressure Sender
61	R15473	1	Wiring Harness	82	242462	1	Water Temperature Sender
	R11184	1	. Deutsch Plug (female)	88	242463	1	Oil Temperature Sender
	R11248	1	. Deutsch Plug (male)	108	R636260	1	Oil Pressure Switch
68	R15510	1	Diode Assembly	112	224151	1	Fitting

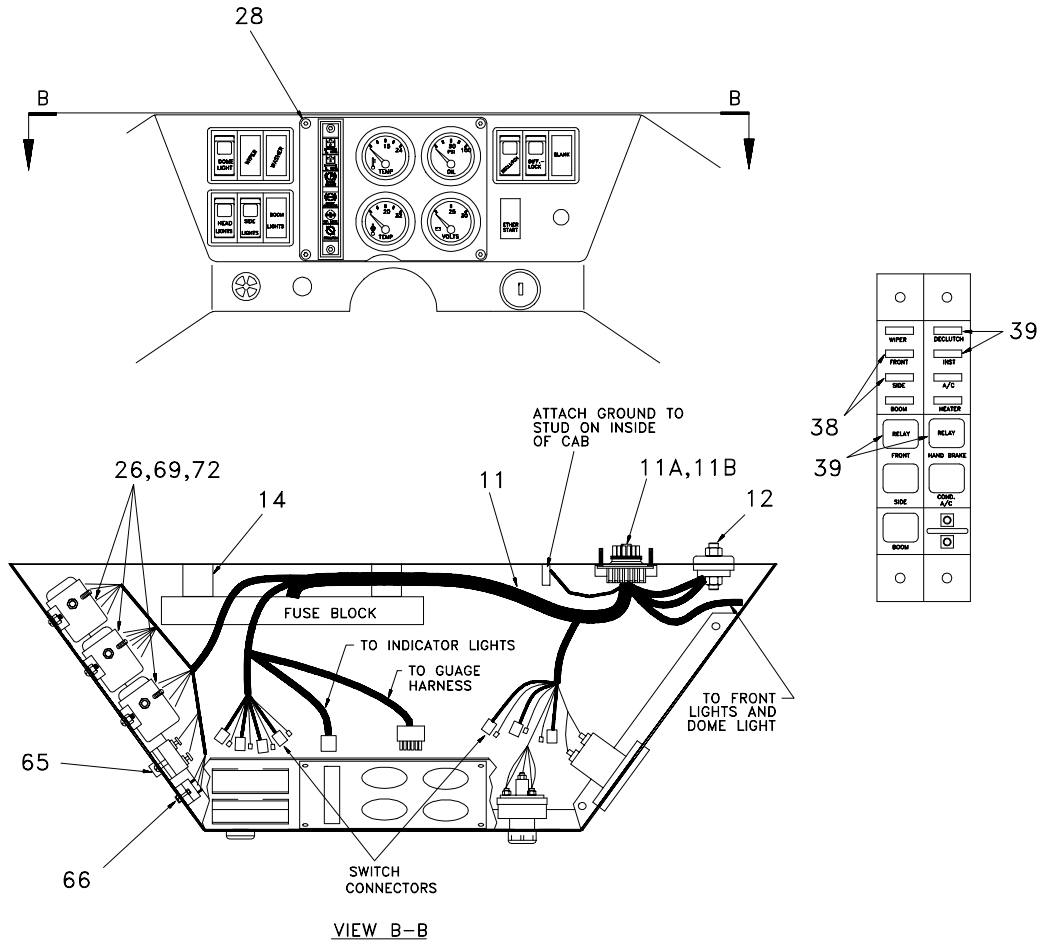


3a03.dwg

### Cab Electrical System

Item	Part No.	Qty	Description	Item	Part No.	Qty	Description
10	R13807439	8	Nut	15	R13803088	1	Clamp
11	R13801	1	Wire Harness, Cab	16	R13810991	2	Capscrew
11A	R11184	1	. Deutsch Plug (female)	17	R13847	6	Nut
11B	R11248	1	. Deutsch Plug (male)	28	* R13744	1	Instrument Panel (8-2.2)
12	R10581	1	Stud, Battery Feeder	38	R13661	2	Relay
13	R13802619	5	Washer	39	R740781	3	Fuse
14	R13654	4	Spacer				

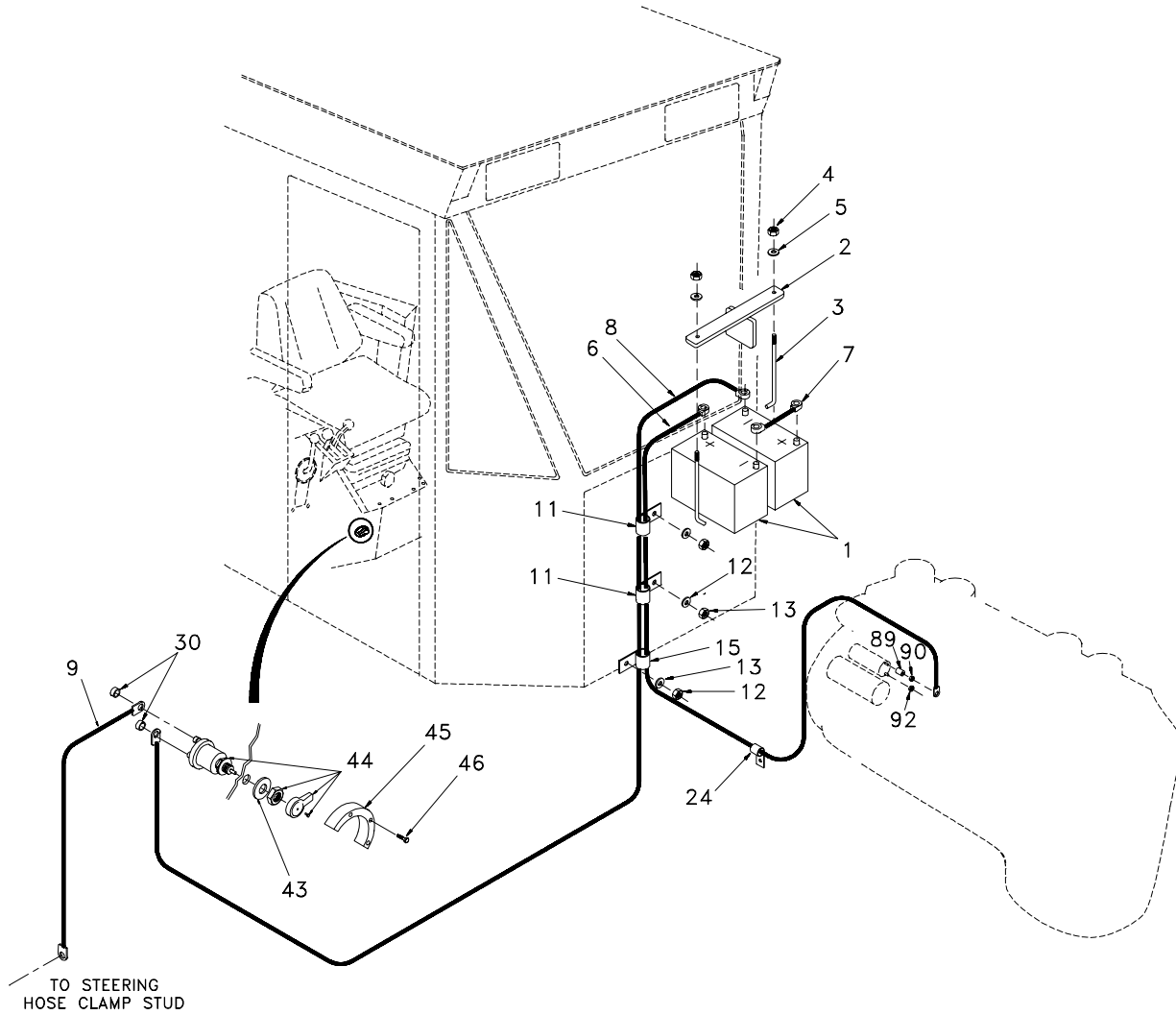




3a07.dwg

### Cab Electrical System

Item	Part No.	Qty	Description	Item	Part No.	Qty	Description
11	R15490	1	Wire Harness, Cab	38	R13661	3	Relay
11A	R11184	1	. Deutsch Plug (female)	39	R740781	4	Fuse
11B	R11248	1	. Deutsch Plug (male)	65	R13663	1	Circuit Breaker
12	R10581	1	Stud, Battery Feeder	66	R13664	1	Circuit Breaker
14	R13654	4	Spacer	69	241997	6	Machine Screw
26	R13660	3	Relay	72	235620	6	Nut
28	* R13744	1	Instrument Panel (8-2.2)				



3a04.dwg

### Battery Cable/Disconnect

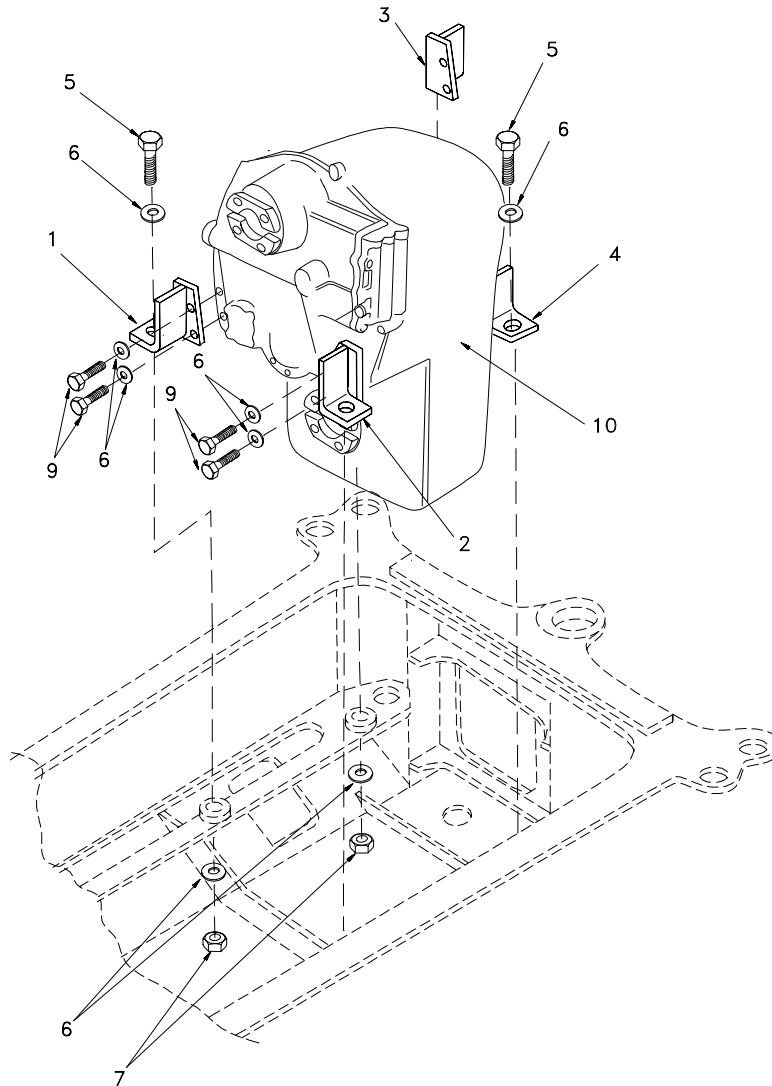
Item	Part No.	Qty	Description	Item	Part No.	Qty	Description
1	R10188	2	Battery	15	R13810028	3	Clamp
2	R14590	1	Holddown	24	R13803047	1	Clip
3	R14594	2	Hook	30	R15171	2	Boot
4	R13811190	2	Nut	43	R2020632	1	Plate
5	R13802914	2	Washer	44	R2020631	1	Switch
6	R14471	1	Wire Assembly	45	R11549	1	Guard
7	R14472	1	Wire Assembly	46	R11554	3	Screw
8	R14473	1	Wire Assembly	89	R1938882	1	Bushing
9	R14074	1	Wire Assembly	90	R13811416	1	Nut
11	*a R13803059	2	Clip	92	R15579	1	Nut
	*b R13803042	2	Clip				
12	R13811191	6	Nut				*a Last used Unit S/N 1615
13	R13811431	7	Washer				*b First used Unit S/N 1616

## Section 4

### Drive Train

<b>Page No.</b>	<b>Description</b>
<b>4-1</b>	<b>Basic Structure</b>
4-1.1	Transmission Installation
4-1.2	Transmission Assembly
4-1.5	Clutch Group, Reverse and Third
4-1.6	Clutch Group, Forward and Second
4-1.7	Clutch Group, Low
4-1.8	Idler Shaft Group
4-1.9	Output Shaft Group
4-1.10	Transmission Hydraulic Brake
4-1.12	Transmission Control Valve
4-1.14	Transmission Modulated Valve
4-1.15	Transmission P.T.O. Group
4-1.16	Transmission Shift Control
4-1.17	Transmission Shift Controller
4-1.18	Transmission and Converter Plumbing
4-1.20	Converter
4-1.22	Pressure Regulating Group
4-1.23	Charging Pump
4-1.24	Declutch System
4-1.25	Declutch Solenoid Valve
<b>4-2</b>	<b>Drivelines</b>
4-2.1	Driveline Installation
4-2.2	Driveline - Transmission to Converter
4-2.2	Driveline - Rear Axle
4-2.3	Driveline - Transmission to Front Axle
4-2.4	Driveline - Transmission to Pillowblock
4-2.5	Driveline - Transmission to Winch
<b>4-3</b>	<b>Axles</b>
4-3.1	Axle Installation
4-3.2	Rear Axle - Differential Lock
4-3.6	Front Axle
4-3.10	Front Axle - Differential Lock
4-3.14	Differential Lock System
<b>4-4</b>	<b>Wheels and Tires</b>
4-4.1	Tire and Rim Assembly
<b>4-5</b>	<b>Miscellaneous</b>

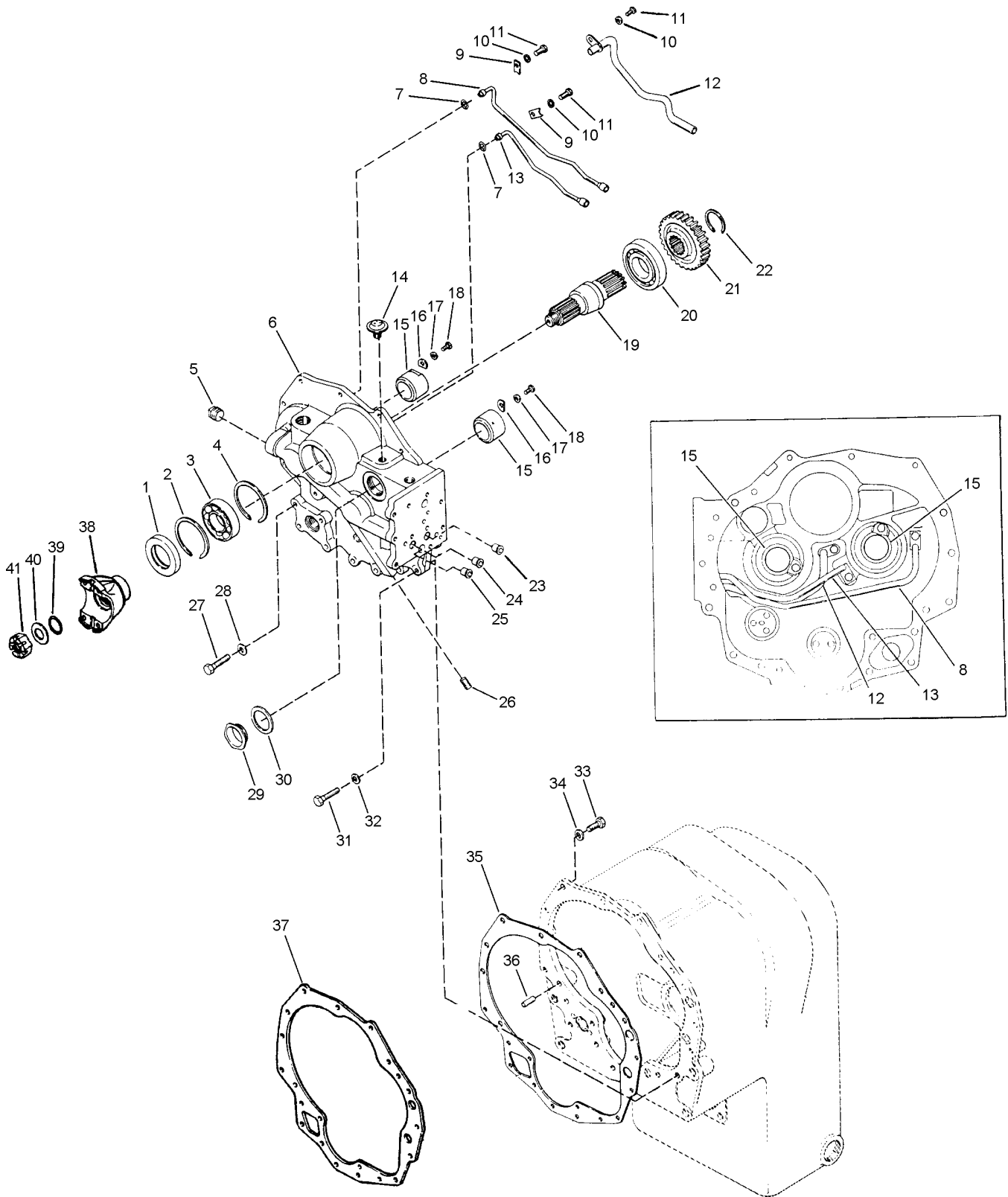
Intentionally Blank



H664a01.dwg

### Transmission Installation

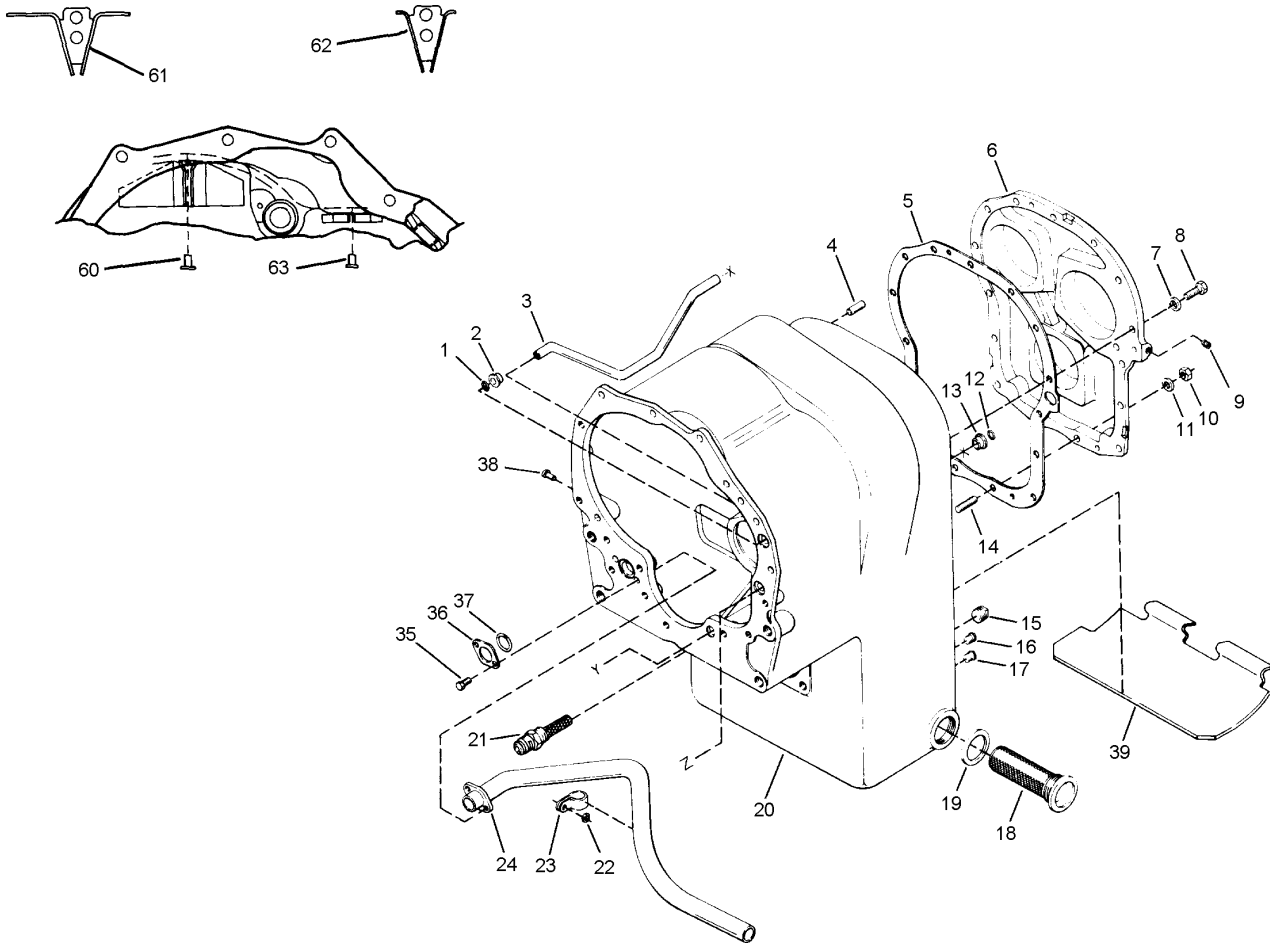
Item	Part No.	Qty	Description	Item	Part No.	Qty	Description
1	R1935098	1	Transmission Mount, RH Front	9	R13811146	8	Cap screw
2	R14304	1	Transmission Mount, LH Front	10	*a R12574777	1	Transmission (4-1.2)
3	R1935097	1	Transmission Mount, RH Rear		*b R12574779	1	Transmission (4-1.16)
4	R10596	1	Transmission Mount, LH Rear				
5	R13811154	4	Cap screw				*a Last used Unit S/N 1615
6	R13811436	16	Washer				*b First used Unit S/N 1616
7	R13811196	4	Nut				



## Transmission Assembly

Item	Part No.	Qty	Description	Item	Part No.	Qty	Description
	<b>R12574777</b>		<b>Transmission</b>				
	R801801		Seal Kit	22	R224026	1	. Snap Ring
1	R11992881	1	. Seal	23	*a R11992857	1	. Sleeve
2	R4095037	1	. Snap Ring	24	*a R11992857	1	. Sleeve
3	R225603	1	. Bearing	25	*a R11992857	1	. Sleeve
4	R4095037	1	. Snap Ring	26	R13801762	1	. Plug
5	R13801765	1	. Plug	27	R13800222	4	. Capscrew
6	*a R243379	1	. Cover Assembly	28	R13800829	4	. Lockwasher
7	*a R13802702	2	. O-Ring	29	R219370	1	. Plug
8	*a R231629	1	. Tube Assembly	30	R11992856	1	. Gasket
9	*a R231048	2	. Clip	31	R13800225	4	. Screw
10	*a R13800827	3	. Washer	32	R13800829	4	. Lockwasher
11	*a R13800168	3	. Screw	33	R13800220	10	. Screw
12	*a R243377	1	. Tube Assembly	34	R13800829	10	. Lockwasher
13	*a R231628	1	. Tube Assembly	35	R231606	1	. Gasket
14	R238535	1	. Breather	36	R236823	2	. Dowel Pin
15	*a R237576	2	. Sleeve	37	R236821	1	. Spacer
16	*a R230851	2	. Lock	38	R231553	1	. Flange
17	*a R13800827	2	. Washer	39	R13802760	1	. O-Ring
18	*a R13800168	2	. Screw	40	R102745	1	. Washer
19	R231782	1	. Shaft	41	R216058	1	. Nut
20	R241684	1	. Bearing				
21	R248196	1	. Gear				

\*a Included with Cover Assembly, Item 6



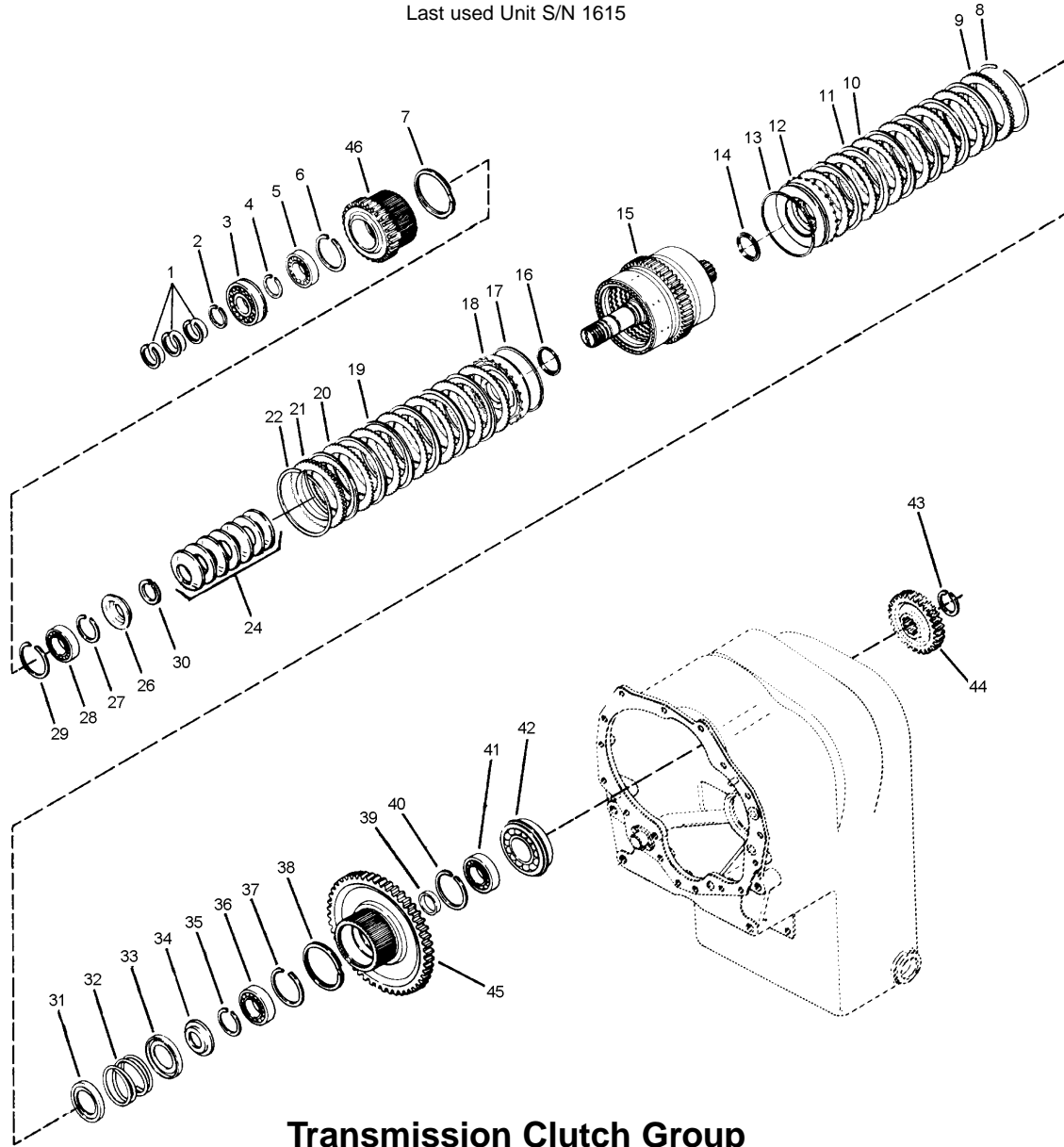
H664a03.pcx

## Transmission

Item	Part No.	Qty	Description	Item	Part No.	Qty	Description
<b>R1257477</b>				<b>Transmission (continued)</b>			
1	R13802751	1	. O-Ring	19	R11992856	1	. Gasket
2	*a R11992857	1	. Sleeve	20	*a R231611	1	. Transmission Case Assembly
3	*a R230900	1	. Tube	21	R13801478	1	. Case Plug
4	R214118	2	. Pin	22	*a R13812213	1	. Washer
5	R242408	1	. Gasket	23	*a R13801039	1	. Clip
6	R242404	1	. Cover, Rear	24	*a R234836	1	. Tube
7	R13801831	21	. Capscrew	35	*a R13516	2	. Capscrew
8	R13802877	21	. Lockwasher	36	*a R230921	1	. Washer
9	R13802751	1	. O-Ring	37	*a R13802756	1	. O-Ring
10	*a R11992857	1	. Sleeve	38	*a R13800451	1	. Suction Tube Clip Rivet
11	R200991	2	. Stud	60	*a R249894	2	. Rivet
12	R13802877	2	. Lockwasher	61	*a R247884	1	. Baffle
13	R13806800	2	. Nut	62	*a R247885	1	. Baffle
14	R11992990	1	. Plug	63	*a R249894	2	. Rivet
15	R215757	1	. Plug				
16	R13803255	1	. Oil Level Plug				
17	R13803255	1	. Oil Level Plug				
18	R11992879	1	. Screen Assembly				

\*a Included with Transmission Case, Item 20

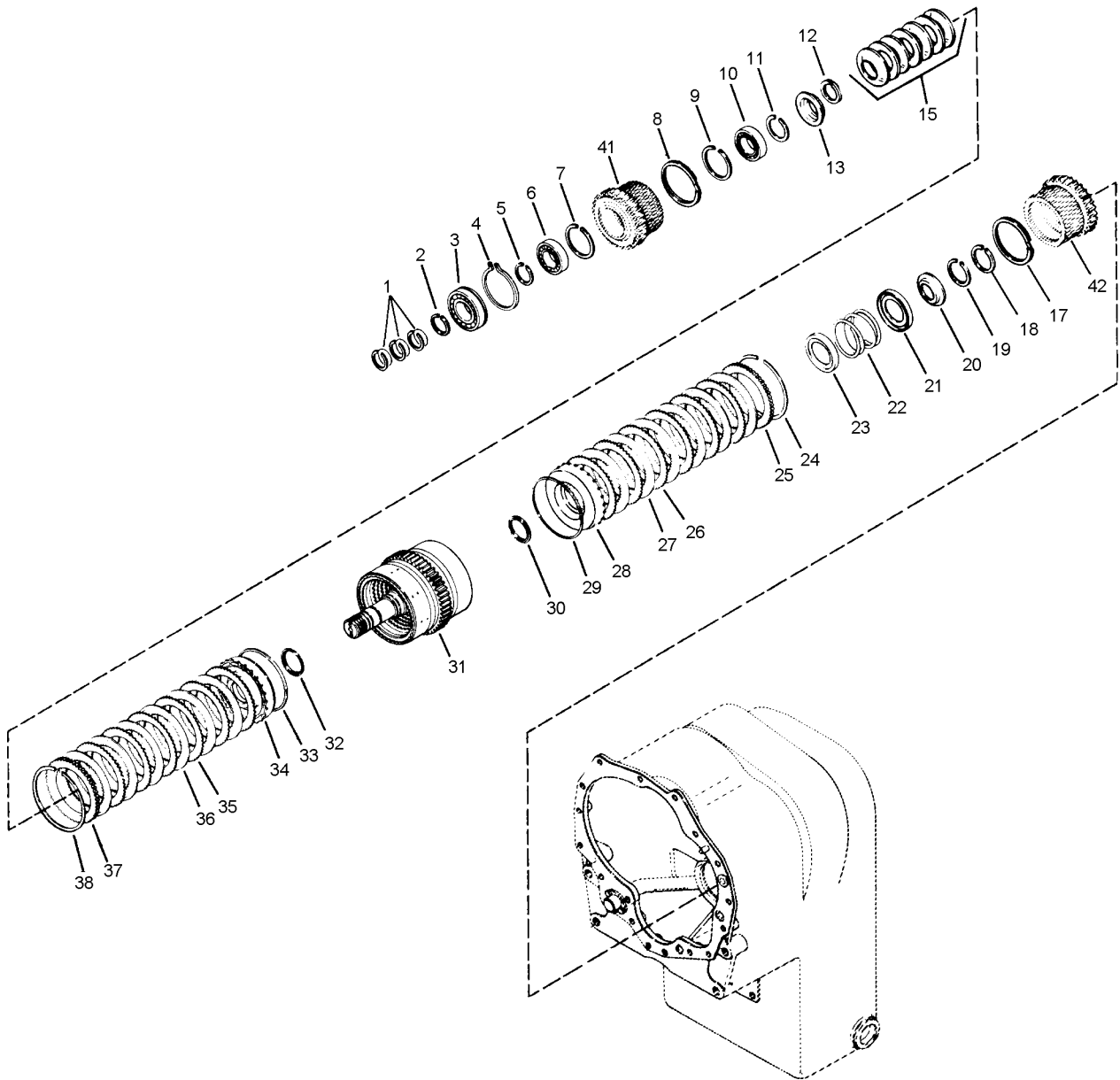




H664a04.pcx

### Transmission Clutch Group

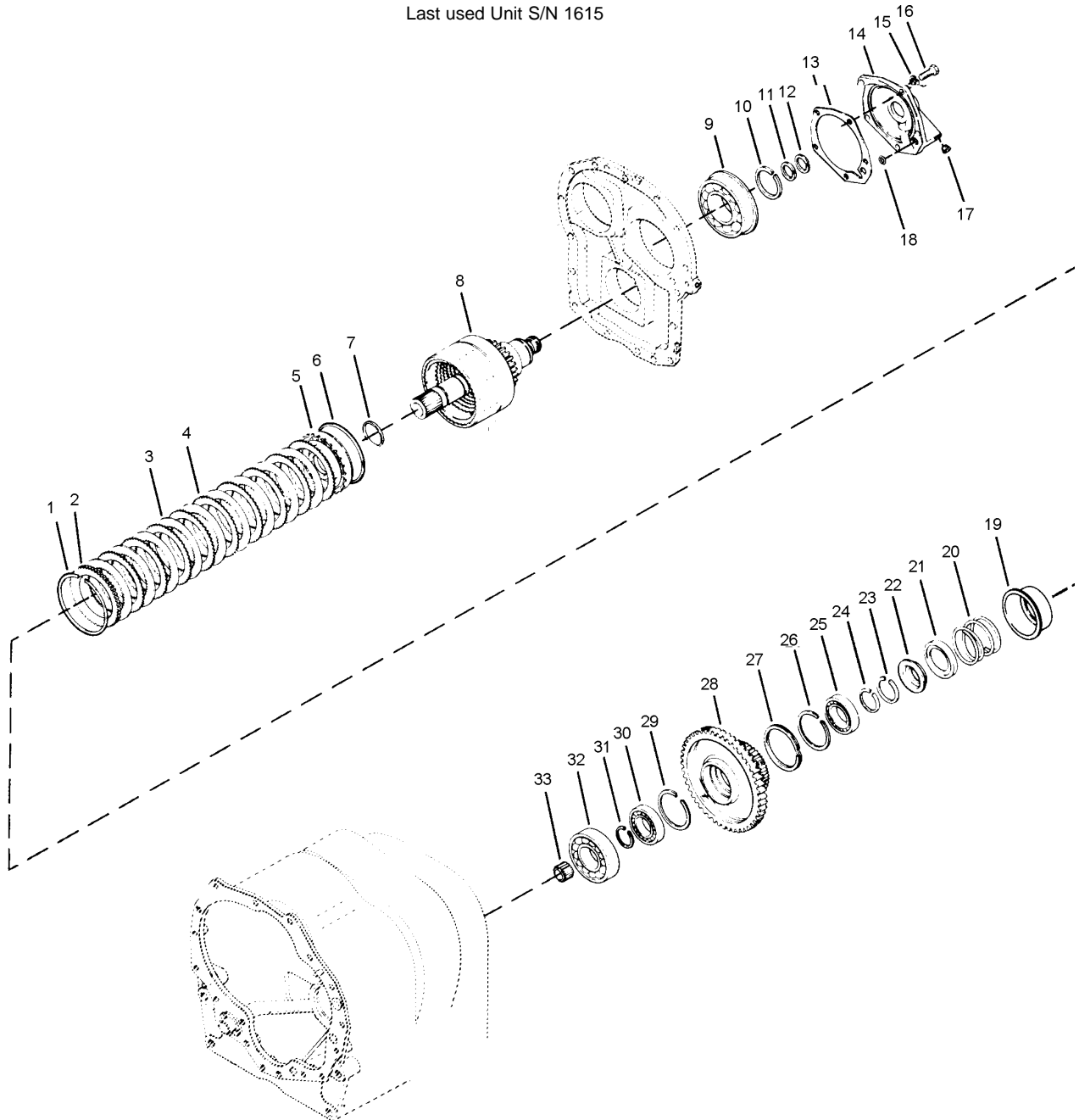
Item	Part No.	Qty	Description	Item	Part No.	Qty	Description
<b>R1257477 Transmission (continued)</b>							
1	R11992854	3	. Ring	24	R247655	1	. Spring Kit (Set of 7)
2	R247949	1	. Retaining Ring	26	R239230	1	. Retainer
3	R225603	1	. Bearing	27	R11992915	1	. Ring
4	R247949	1	. Retaining Ring	28	R7019578	1	. Bearing
5	R233488	1	. Bearing	29	R223881	1	. Snap Ring
6	R223881	2	. Retaining Ring	30	R11992915	1	. Snap Ring
7	R731160	2	. Ring	31	R232088	1	. Retainer
8	R215190	2	. Ring	32	R230822	1	. Spring
9	R224774	1	. End Plate	33	R232089	1	. Retainer
10	R247274	6	. Clutch Outer Disc	34	R239230	1	. Snap Ring Retainer
11	R238313	6	. Clutch Inner Disc	35	R11992915	1	. Spring Retainer Snap Ring
12	R245897	1	. Clutch Piston	36	R230860	1	. Bearing
13	R224771	1	. Outer Seal	37	R223874	1	. Ring
14	R230857	1	. Seal	38	R731160	1	. Ring
15	R237127	1	. Shaft and Hub Assembly	39	R230906	1	. Spacer
16	R230857	1	. InnerSeal	40	R223874	1	. Snap Ring
17	R224771	1	. Outer Seal	41	R233390	1	. Bearing
18	R245916	1	. Clutch Piston Assembly	42	R658038	1	. Bearing
19	R248799	12	. Inner Disc	43	R224106	1	. Retaining Ring
20	R247274	12	. Outer Disc	44	R230871	1	. Gear
21	R236810	1	. End Plate	45	R232313	1	. Gear
22	R215190	1	. Retaining Ring	46	R248202	1	. Gear



H664a05.pcx

### Transmission Clutch Group

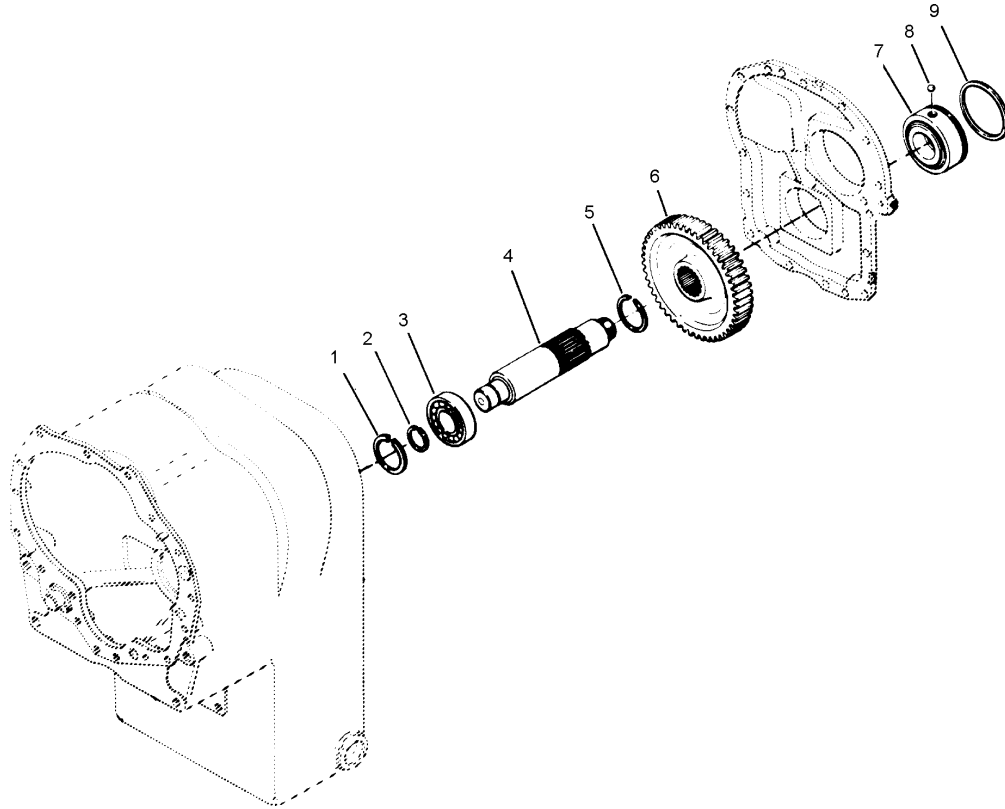
Item	Part No.	Qty	Description	Item	Part No.	Qty	Description
	<b>R1257477</b>		<b>Transmission (continued)</b>				
1	R11992854	3	. Ring	22	R230822	1	. Spring
2	R247949	1	. Retaining Ring	23	R232088	1	. Retainer
3	R11992861	1	. Bearing	24	R215190	2	. Ring
4	R11992878	1	. Ring	25	R224774	1	. End Plate
5	R247949	1	. Retaining Ring	26	R247274	6	. Disc, Outer
6	R233488	1	. Bearing	27	R238313	6	. Disc, Inner
7	R223881	1	. Snap Ring	28	R245897	1	. Clutch, Piston
8	R731160	1	. Ring	29	R224771	1	. Seal
9	R223881	1	. Snap Ring	30	R230857	1	. Seal
10	R7019578	1	. Bearing	31	R237122	1	. Shaft & Plug Assembly
11	R11992915	1	. Ring	32	R230857	1	. Clutch Piston Inner Seal
12	R11992915	1	. Ring	33	R224771	1	. Clutch Piston Outer Seal
13	R239230	1	. Retainer	34	R245916	1	. Clutch Piston Assembly
15	R247655	1	. Spring Kit (Set of 7)	35	R247274	12	. Disc, Outer
17	R731160	1	. Ring	36	R248799	12	. Disc, Inner
18	R11992915	1	. Ring	37	R236810	1	. End Plate
19	R11992915	1	. Ring	38	R215190	1	. Retainer Ring
20	R239230	1	. Retainer	41	R12607069	1	. Gear
21	R232089	1	. Retainer	42	R239953	1	. Gear



H664a06.pcx

### Transmission Clutch Group

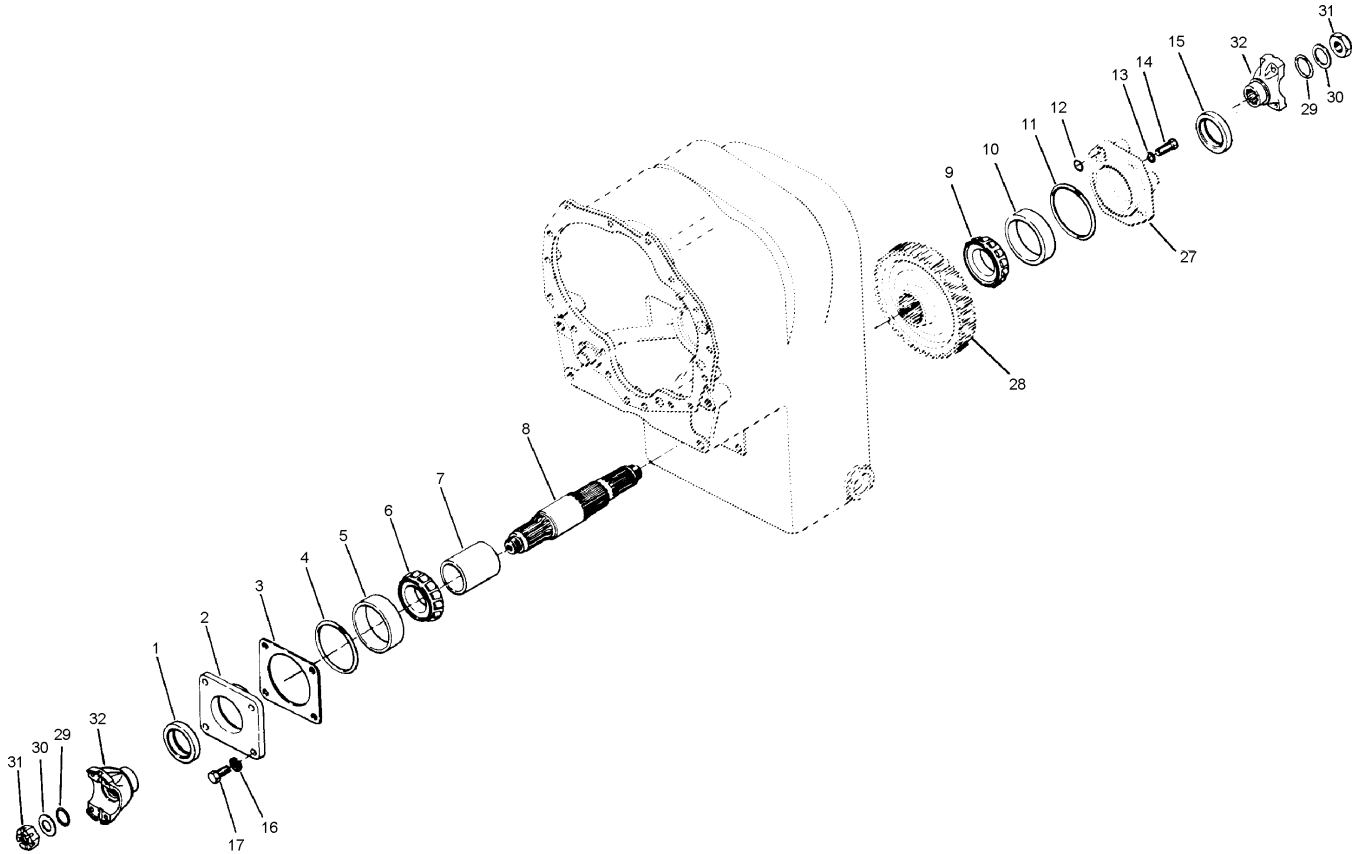
Item	Part No.	Qty	Description	Item	Part No.	Qty	Description
<b>R1257477 Transmission (continued)</b>							
1	R215190	1	. Ring	18	R13802704	1	. O-Ring
2	R224774	1	. End Plate	19	R241917	1	. Retainer
3	R248800	9	. Disc, Inner	20	R230822	1	. Spring
4	R247274	9	. Disc, Outer	21	R12973870	1	. Kit, Retainer
5	R245897	1	. Clutch Piston	22	R239230	1	. Snap Ring Retainer
6	R224771	1	. Seal	23	R11992915	1	. Ring
7	R230857	1	. Seal	24	R230888	1	. Snap Ring
8	R231194	1	. Shaft Assembly	25	R7019578	1	. Bearing
9	R230968	1	. Bearing	26	R11992874	1	. Ring
10	R232081	1	. Retaining Ring	27	R731160	1	. Ring
11	R220079	1	. Piston Ring	28	R231229	1	. Gear
12	R220079	1	. Piston Ring	29	R11992874	1	. Ring
13	R231193	1	. Gasket	30	R7019578	1	. Bearing
14	R231176	1	. Bearing Cap	31	R230888	1	. Retaining Ring
15	R13800828	5	. Lockwasher	32	R239742	1	. Bearing
16	R13800882	5	. Capscrew	33	R230886	1	. Bearing
17	R11992990	1	. Plug				



H664a07.pcx

### Transmission - Idler Shaft Group

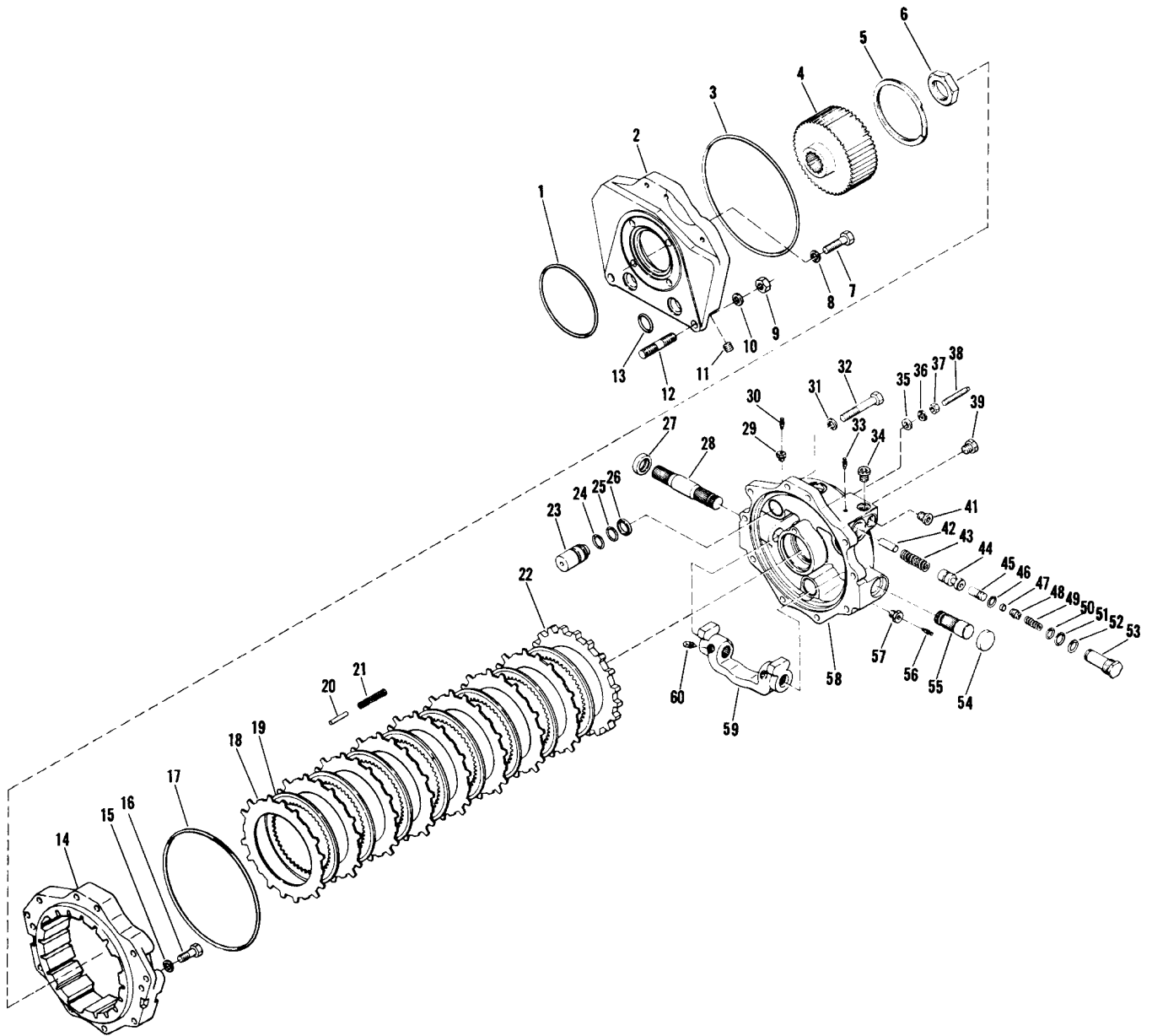
Item	Part No.	Qty	Description	Item	Part No.	Qty	Description
	<b>R12574777</b>		<b>Transmission (continued)</b>				
1	R247949	1	. Retaining Ring	5	R224065	1	. Snap Ring
2	R4095037	1	. Snap Ring	6	R233656	1	. Gear
3	R12973878	1	. Bearing	7	R231646	1	. Bearing
4	R231695	1	. Shaft	8	R13801352	1	. Ball



H664a08.pcx

### Transmission - Output Shaft Group

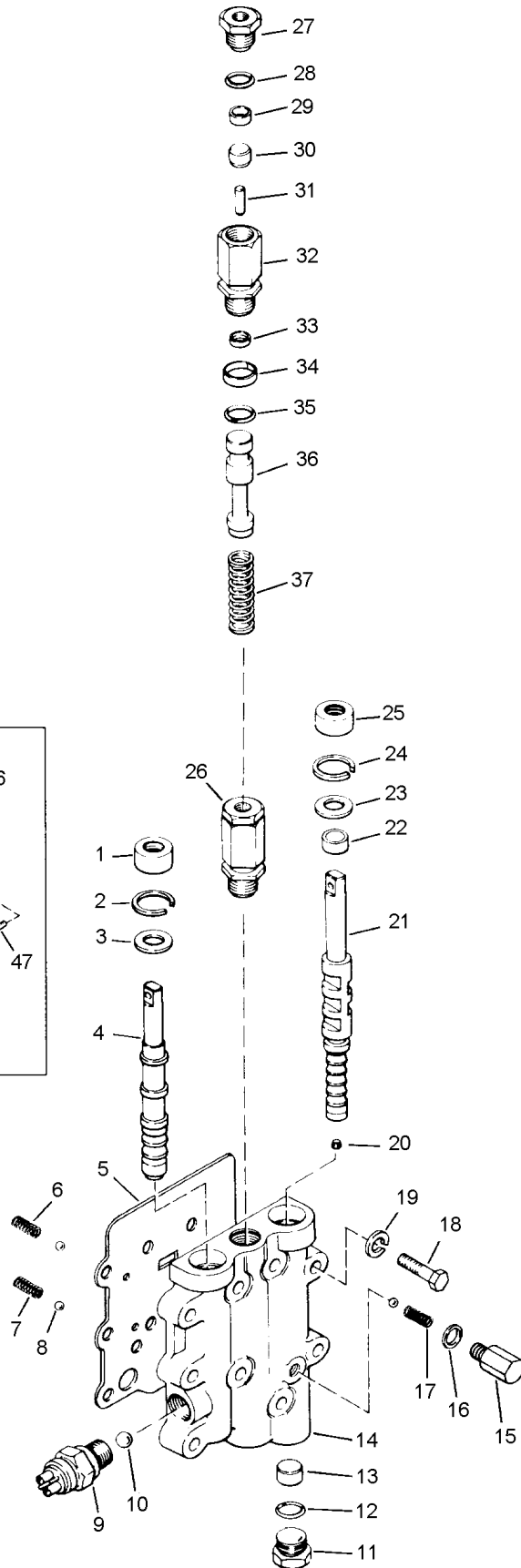
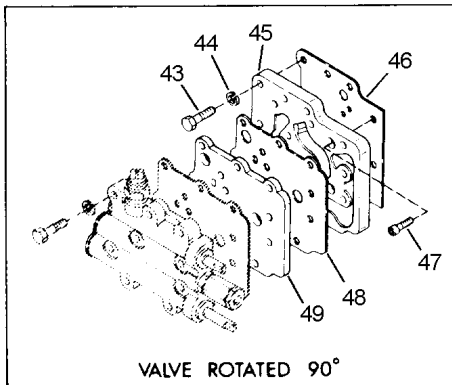
Item	Part No.	Qty	Description	Item	Part No.	Qty	Description
<b>R12574777</b>				<b>Transmission (continued)</b>			
1	R11993345	1	. Oil Seal	11	R13802786	1	. O-Ring
2	R231818	1	. Bearing Cap	12	R13802709	1	. O-Ring
3	R231848	A/R	. Shim - .004 in.	13	R13800831	4	. Lockwasher
3A	R231849	A/R	. Shim - .007 in.	14	R13800256	4	. Capscrew
3B	R231850	A/R	. Shim - .010 in.	15	R225823	1	. Oil Seal
3C	R231851	A/R	. Shim - .020 in.	16	R13800831	4	. Washer
4	R13802783	1	. O-Ring	17	R13800253	4	. Capscrew
5	R7019272	1	. Bearing Cup	27	R231817	1	. Bearing Cap
6	R12973876	1	. Bearing Cone	28	R233652	1	. Gear
7	R231405	1	. Spacer	29	R13802815	2	. O-Ring
8	R231406	1	. Output Shaft	30	R11993329	2	. Washer
9	R12973835	1	. Bearing Cone	31	R11993328	2	. Nut
10	R7018416	1	. Bearing Cup	32	R12607135	2	. Flange



## Transmission - Hydraulic Brake

Item	Part No.	Qty	Description	Item	Part No.	Qty	Description
	<b>R12574777</b>		<b>Transmission (continued)</b>				
	R801805		Seal Kit	31	R13800829	10	. Lockwasher
1	R13803660	1	. O-Ring	32	R13800224	10	. Capscrew
2	R233888	1	. Adapter	33	*a R1992651	1	. Bleed Screw
3	R13803670	1	. O-Ring	34	R13803421	1	. Plug
4	R237749	1	. Hub	35	R619023	1	. Washer
5	R4095201	1	. Ring	36	R231709	1	. Washer
6	R231639	1	. Nut	37	R13803675	1	. Nut
7	R233534	4	. Screw	38	R231705	1	. Screw
8	R106547	4	. Washer	39	R13802604	1	. Plug
9	R13806803	2	. Nut	41	R13803421	1	. Plug
10	R13800832	2	. Washer	42	*a R238270	1	. Stop
11	R13810545	1	. Plug	43	*a R231034	1	. Spring
12	R245229	2	. Stud	44	*a R240978	1	. Spool
13	R13803638	2	. O-Ring	45	*a R236893	1	. Piston
14	R231693	1	. Housing	46	*a R13804001	1	. O-Ring
15	R13800829	2	. Lockwasher	47	*a R227881	1	. Cup
16	R13801831	2	. Capscrew	48	*a R240979	1	. Expander
17	R13803670	1	. O-Ring	49	*a R4200080	1	. Spring
18	R4095205	8	. Disc	50	*a R237331	1	. Back-up Ring
19	R4095206	8	. Disc	51	*a R13804003	1	. O-Ring
20	R231055	6	. Pin	52	*a R13804059	1	. O-Ring
21	R234834	6	. Spring	53	*a R239493	1	. Housing
22	R231699	1	. Plate	54	R231751	1	. Plug
23	*a R236892	3	. Piston	55	R231703	1	. Shaft
24	*a R13804005	3	. O-Ring	56	*a R641297	1	. Bleed Screw
25	*a R13804005	3	. O-Ring	57	*a R238426	1	. Seat
26	*a R231701	3	. Ring	58	*a 231741	1	. Cover and Housing Assembly
27	R231708	1	. Seal	59	R235435	1	. Yoke
28	R245867	1	. Shaft	60	R201607	2	. Lockwasher
29	*a R238425	1	. Plug				
30	*a R641297	1	. Bleed Screw				

\*a Included with Cover and Housing Assembly, Item 58

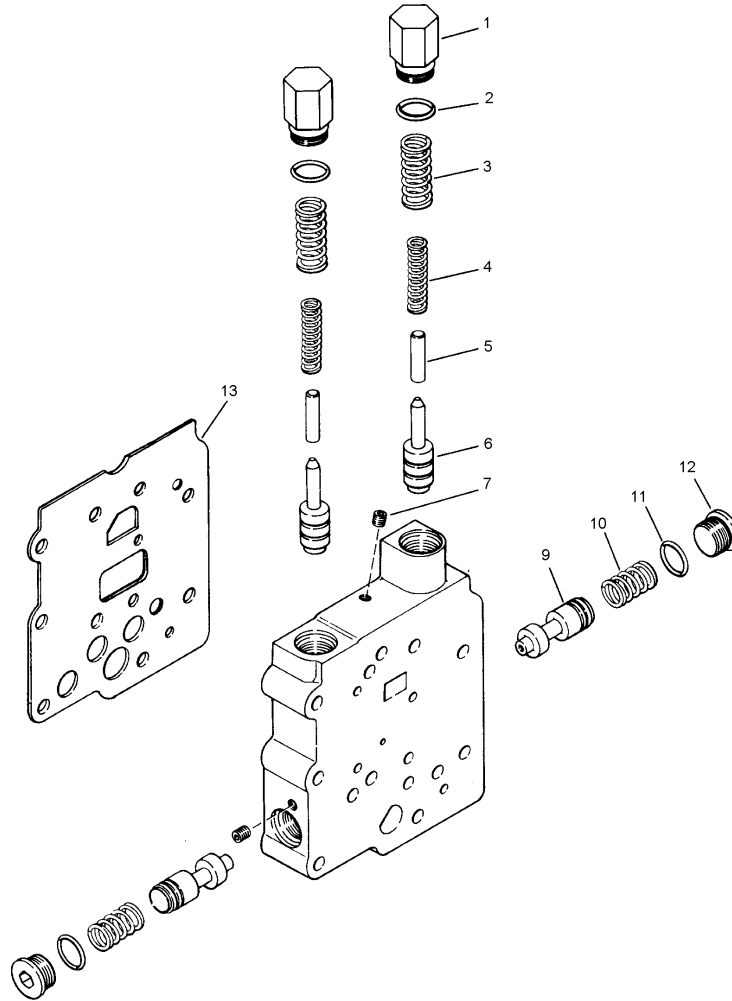




## Transmission Control Valve

Item	Part No.	Qty	Description	Item	Part No.	Qty	Description
	<b>R12574777</b>				<b>Transmission (continued)</b>		
1	*a R234651	1	. Oil Seal	24	*a R12969532	1	. Snap Ring
2	*a R12969532	1	. Snap Ring	25	*a R234651	1	. Oil Seal
3	*a R217657	1	. Washer	26	R215196	1	. Valve Assembly
4	*a R231158	1	. Spool	27	R215200	1	. Plug
5	R248023	1	. Gasket	28	R13802706	1	. O-Ring
6	R202200	1	. Spring	29	R208820	1	. Piston Cup
7	R202200	1	. Spring	30	R215199	1	. Spacer
8	R13801349	3	. Ball	31	R237275	1	. Pin
9	*a R242532	1	. Switch	32	NSS	1	. Housing
10	*a R13801349	1	. Ball	33	R237698	1	. Seal
11	*a R13807547	1	. Plug	34	R228931	1	. Seal
12	*a R13804268	1	. O-Ring	35	R13802707	1	. O-Ring
13	R231839	1	. Spacer	36	R231155	1	. Spool
14	*a R241636	1	. Control Valve Assembly	37	R231164	1	. Spring
15	R235058	1	. Plug	43	R13800884	4	. Capscrew
16	R235061	1	. Washer	44	R13800828	4	. Lockwasher
17	R202200	1	. Spring	45	R246923	1	. Valve Adapter Housing
18	R13800203	9	. Screw	46	R248025	1	. Gasket
19	R13800828	9	. Washer	47	R13803888	5	. Capscrew
20	*a R239243	1	. Plug	48	R248024	1	. Gasket
21	*a R241631	1	. Spool	49	R246855	1	. Plate
22	R231840	1	. Spacer				
23	*a R217657	1	. Washer				

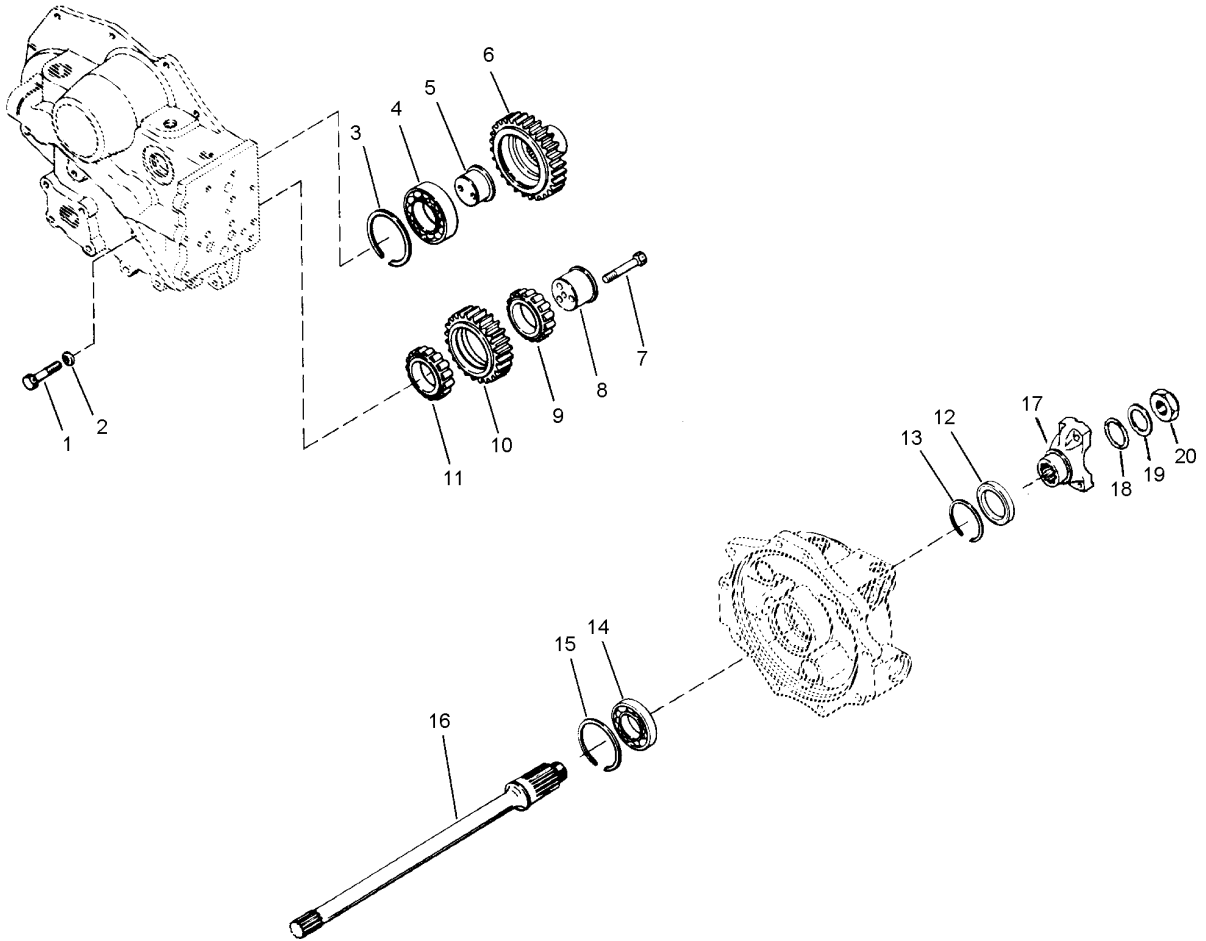
\*a Included with Control Valve Assembly, Item 14



H664a11.pcx

### Transmission Modulated Valve

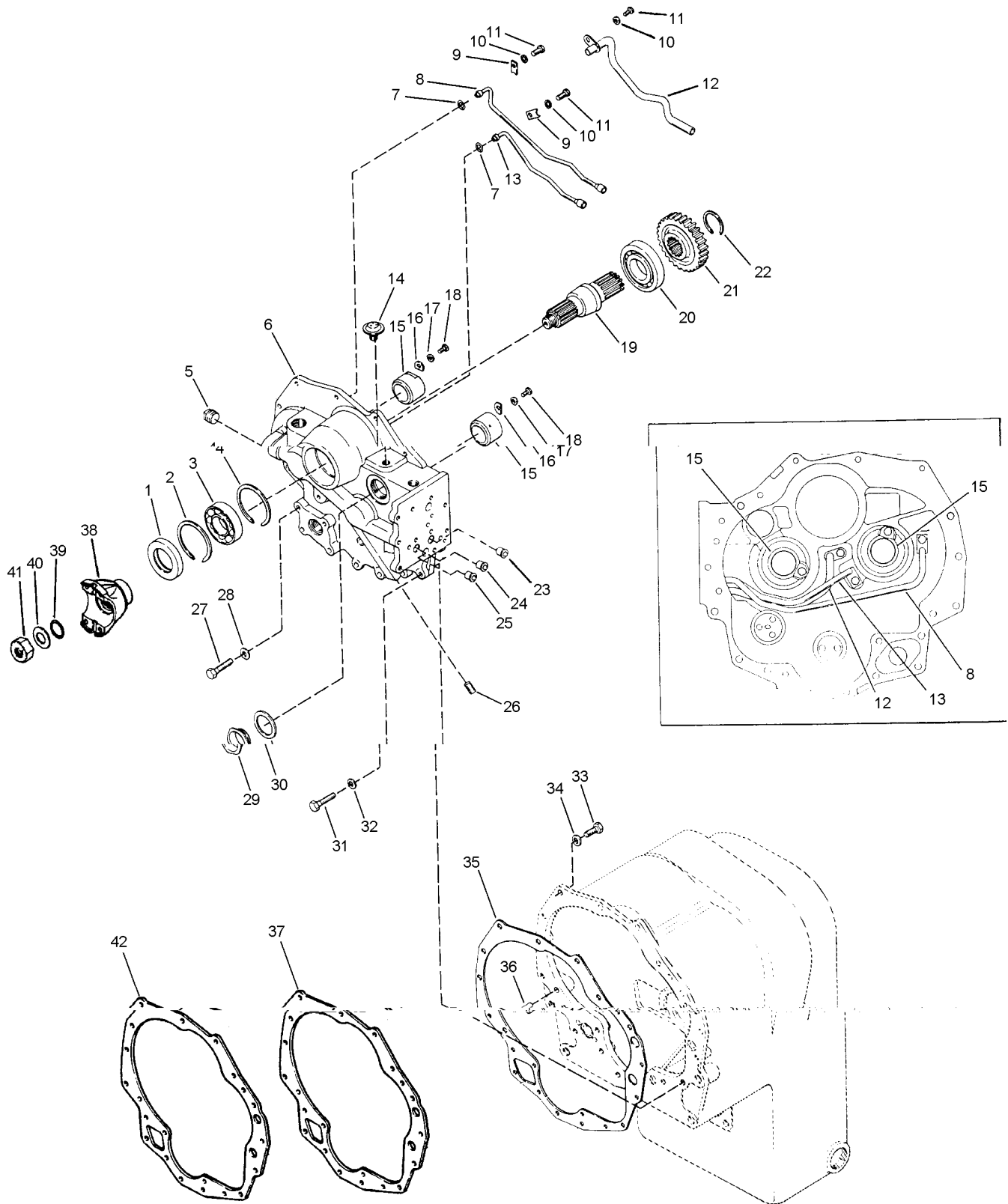
Item	Part No.	Qty	Description	Item	Part No.	Qty	Description
	<b>R1257477</b>		<b>Transmission (continued)</b>				
	R243373	1	. Valve	7	R11992990	2	. . Plug
1	R237083	2	. . Plug	9	NSS	2	. . Spool
2	R13804268	2	. . O-Ring	10	R11993045	2	. . Spring
3	R241662	2	. . Spring	11	R13804268	1	. . O-Ring
4	R241667	2	. . Spring	12	R13803423	2	. . Plug
5	R237084	2	. . Pin	13	R248026	1	. Gasket
6	NSS	1	. . Valve Body				



H664a12.pcx

### Transmission - Single Direction P.T.O. Group

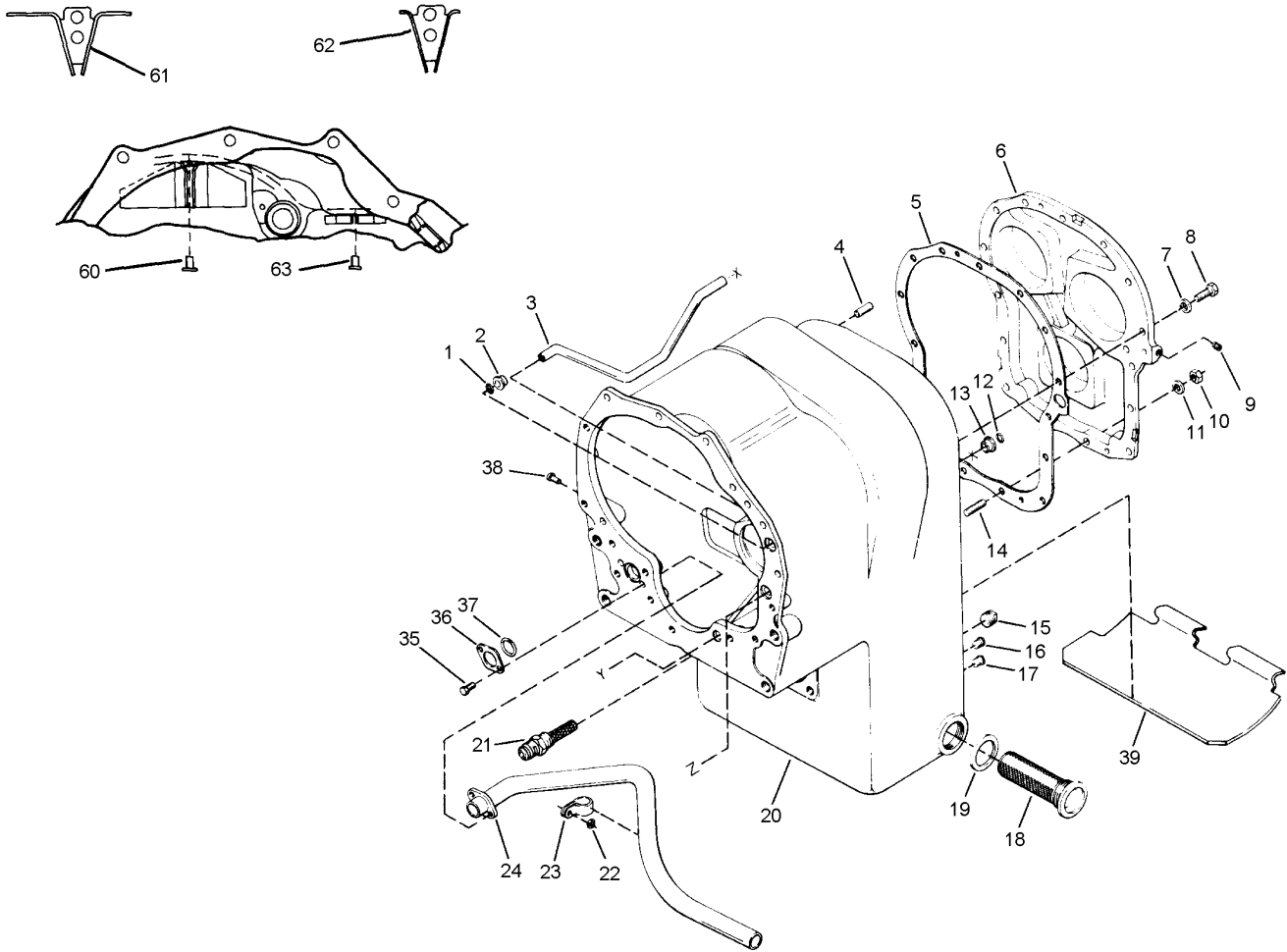
Item	Part No.	Qty	Description	Item	Part No.	Qty	Description
	<b>R12574777</b>		<b>Transmission (continued)</b>				
1	R13800798	2	. Capscrew	11	R231624	1	. Race and Roller Assembly
2	R743039	2	. Lockwasher	12	R206864	1	. Seal Oil
3	R223925	1	. Ring	13	R223862	1	. Retaining Ring
4	R4011012	1	. Bearing	14	R233488	1	. Bearing
5	R231636	1	. Shaft	15	R223881	1	. Ring
6	R12974318	1	. Gear	16	R1992643	1	. P.T.O. Shaft
7	R13800713	3	. Screw	17	R231553	1	. Yoke
8	R234864	1	. Shaft	18	R13802760	1	. O-Ring
9	R231624	1	. Race and Roller Assembly	19	R102745	1	. Washer
10	R246706	1	. Gear	20	R216085	1	. Nut



## Transmission

Item	Part No.	Qty	Description	Item	Part No.	Qty	Description
	<b>R12574779</b>		<b>Transmission</b>				
	R801801		Seal Kit	23	*a R11992857	1	. Sleeve
1	R11992881	1	. Seal	24	*a R11992857	1	. Sleeve
2	R4095037	1	. Snap Ring	25	*a R11992857	1	. Sleeve
3	R225603	1	. Bearing	26	R13801762	1	. Plug
4	R4095037	1	. Snap Ring	27	R13800222	4	. Capscrew
5	R13801765	1	. Plug	28	R13800829	4	. Lockwasher
6	*a R243379	1	. Cover Assembly	29	R219370	1	. Plug
7	*a R13802702	2	. O-Ring	30	R11992856	1	. Gasket
8	*a R231629	1	. Tube Asm	31	R13800225	4	. Screw
9	*a R231048	2	. Clip	32	R13800829	4	. Lockwasher
10	*a R13800827	3	. Washer	33	R13800220	10	. Screw
11	*a R13800168	3	. Screw	34	R13800829	10	. Lockwasher
12	*a R243377	1	. Tube Asm	35	R231606	1	. Gasket
13	*a R231628	1	. Tube Asm	36	R236823	2	. Dowel Pin
14	R238535	1	. Breather	37	R236821	1	. Spacer
15	*a R237576	2	. Sleeve	38	R231553	1	. Flange
16	*a R230851	2	. Lock	39	R13802760	1	. O-Ring
17	*a R13800827	2	. Washer	40	R102745	1	. Washer
18	*a R13800168	2	. Screw	41	R216058	1	. Nut
19	R231782	1	. Shaft	42	R231606	1	. Gasket
20	R241684	1	. Bearing				
21	R248196	1	. Gear				
22	R224026	1	. Snap Ring				

\*a Included with Cover Assembly, Item 6



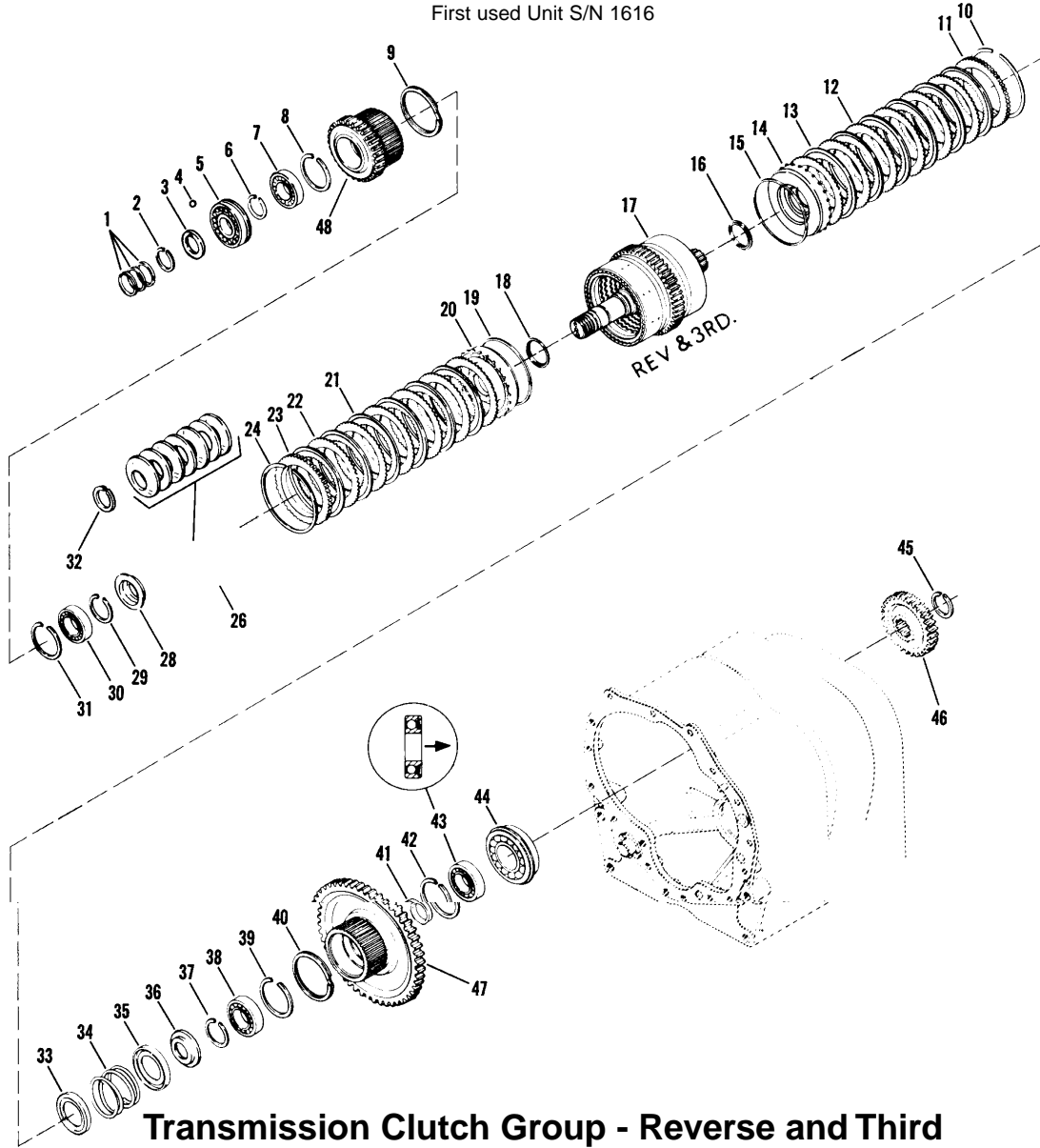
4a03

### Transmission

Item	Part No.	Qty	Description	Item	Part No.	Qty	Description
	<b>R12574779</b>		<b>Transmission (continued)</b>				
1	R13802751	1	. O-Ring	18	*a R231611	1	. Transmission Case Asm
2	*a R11992857	1	. Sleeve	20	R11992856	1	. Gasket
3	*a R230900	1	. Tube	21	R11992879	1	. Screen Asm
4	R214118	2	. Pin	32	*a R13812213	1	. Washer
5	R242408	1	. Gasket	33	*a R13801039	1	. Clip
6	R244660	1	. Cover, Rear	34	*a R234836	1	. Tube
7	R13800829	21	. Lockwasher	35	*a R13516	2	. Capscrew
8	R13801831	21	. Capscrew	36	*a R230921	1	. Washer
9	R11992990	1	. Plug	37	*a R13802756	1	. O-Ring
10	R13806800	2	. Nut	42	*a R249894	1	. Suction Tube Clip Rivet
11	R13800829	2	. Lockwasher	45	*a R13800449	2	. Rivet
12	R13802751	1	. O-Ring	46	*a R247884	1	. Baffle
13	*a R11992857	1	. Sleeve	47	*a R247885	1	. Baffle
14	R200991	2	. Stud	48	*a R13800449	2	. Rivet
15	R215757	1	. Plug				
16	R13803255	1	. Oil Level Plug				
17	R13803255	1	. Oil Level Plug				

\*a Included with Transmission Case, Item 18

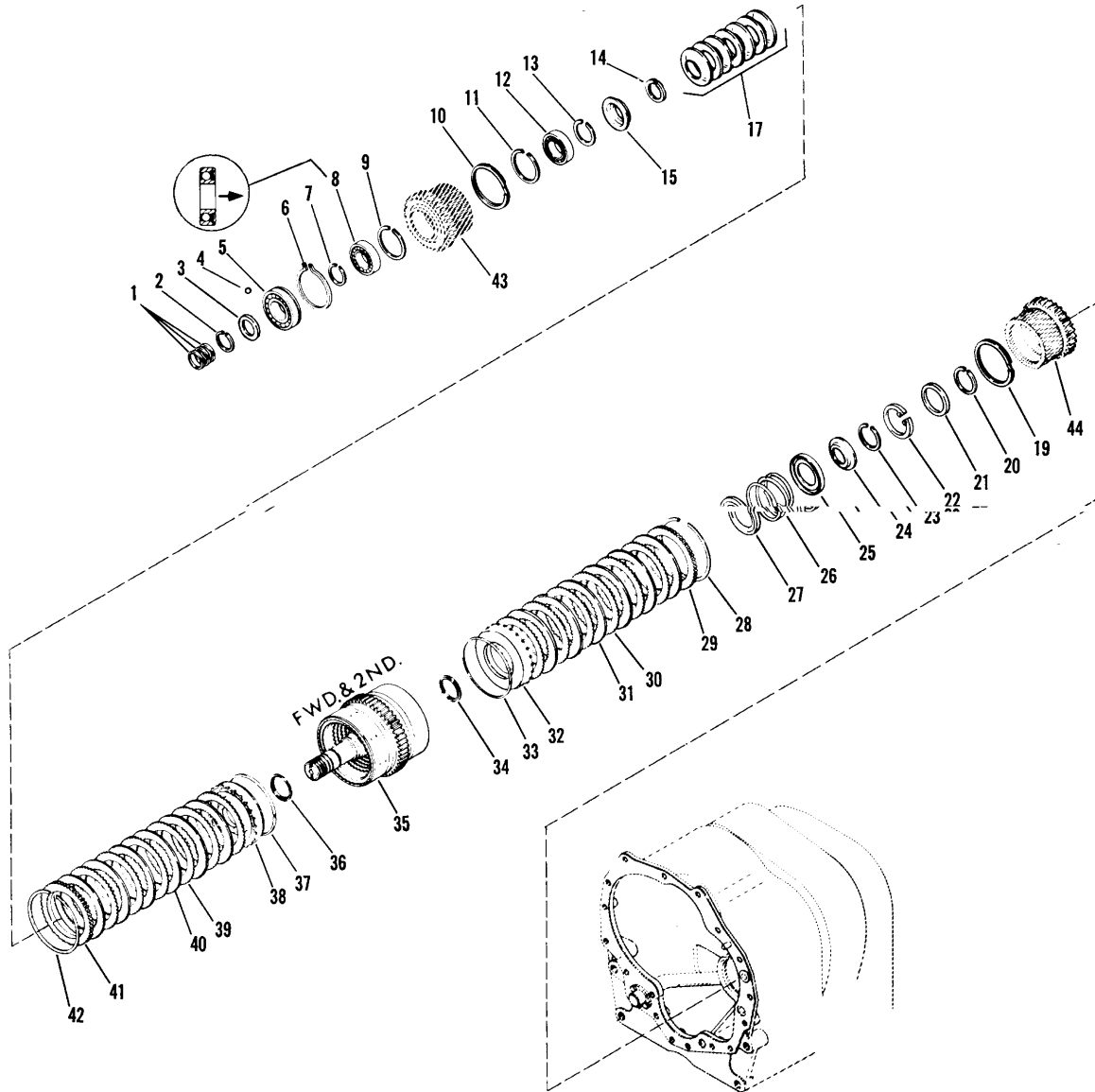
First used Unit S/N 1616



4a04

**Transmission Clutch Group - Reverse and Third**

Item	Part No.	Qty	Description	Item	Part No.	Qty	Description
<b>R12574779</b>							
<b>Transmission (continued)</b>							
1	R14804	3	. Ring	24	R215190	1	. Retaining Ring
2	R247949	1	. Retaining Ring	26	R247655	1	. Spring Kit (Set of 7)
3	R239947	1	. End Plate	28	R239230	1	. Retainer
4	R13801342	1	. Ball	29	R11992915	1	. Ring
5	R239946	1	. Bearing	30	R7019578	1	. Bearing
6	R247949	1	. Retaining Ring	31	R223881	1	. Snap Ring
7	R233488	1	. Bearing	32	R11992915	1	. Snap Ring
8	R223881	2	. Retaining Ring	33	R232088	1	. Retainer
9	R731160	2	. Ring	34	R230822	1	. Spring
10	R215190	2	. Ring	35	R232089	1	. Retainer
11	R245205	1	. End Plate	36	R239230	1	. Snap Ring Retainer
12	R247274	7	. Clutch Outer Disc	37	R11992915	1	. Spring Retainer Snap Ring
13	R248799	7	. Clutch Inner Disc	38	R230860	1	. Bearing
14	R247227	1	. Clutch Piston	39	R223874	1	. Ring
15	R224771	1	. Outer Seal	40	R731160	1	. Ring
16	R230857	1	. Inner Seal	41	R230906	1	. Spacer
17	R239906	1	. Shaft and Hub Assembly	42	R223874	1	. Snap Ring
18	R230857	1	. Inner Seal	43	R233390	1	. Bearing
19	R224771	1	. Outer Seal	44	R239948	1	. Bearing
20	R245916	1	. Clutch Piston Assembly	45	R224106	1	. Retaining Ring
21	R248799	12	. Inner Disc	46	R239950	1	. Gear
22	R247274	12	. Outer Disc	47	R232313	1	. Gear
23	R236810	1	. End Plate	48	R12607069	1	. Gear

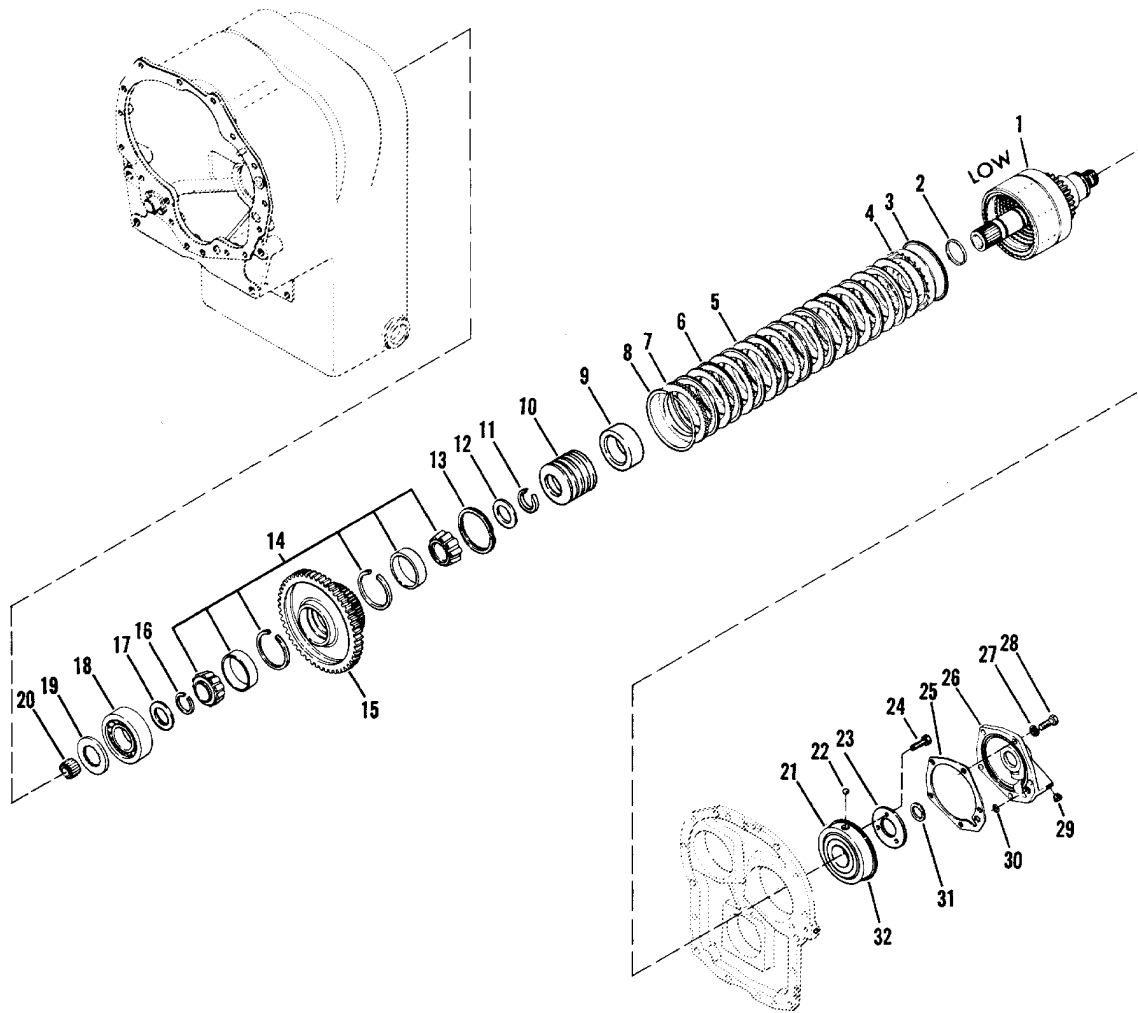


H664b05.pcx

### Transmission Clutch Group - Forward and Second

Item	Part No.	Qty	Description	Item	Part No.	Qty	Description
<b>R12574779 Transmission (continued)</b>							
1	R14804	3	. Ring	24	R239230	1	. Retainer
2	R247949	1	. Retaining Ring	25	R232089	1	. Retainer
3	R239947	1	. Bearing	26	R230822	1	. Spring
4	R13801342	1	. Ring	27	R232088	1	. Retainer
5	R239946	1	. Bearing	28	R215190	2	. Ring
6	R11992878	1	. Ring	29	R245205	1	. End Plate
7	R247949	1	. Retaining Ring	30	R247274	7	. Disc, Outer
8	R233488	1	. Bearing	31	R248799	7	. Disc, Inner
9	R223881	1	. Snap Ring	32	R247227	1	. Clutch, Piston
10	R731160	1	. Ring	33	R224771	1	. Seal
11	R223881	1	. Snap Ring	34	R230857	1	. Seal
12	R7019578	1	. Bearing	35	R239902	1	. Shaft & Plug Assembly
13	R11992915	1	. Ring	36	R230857	1	. Clutch Piston Inner Seal
14	R11992915	1	. Ring	37	R224771	1	. Clutch Piston Outer Seal
15	R239230	1	. Retainer	38	R245916	1	. Clutch Piston Assembly
17	R247655	1	. Spring Kit (Set of 7)	39	R247274	12	. Disc, Outer
19	R731160	1	. Ring	40	R248799	12	. Disc, Inner
20	R11992915	1	. Ring	41	R236810	1	. End Plate
21	R239986	1	. Ring	42	R215190	1	. Retainer Ring
22	R247487	1	. Snap Ring	43	R12607069	1	. Gear
23	R11992915	1	. Ring	44	R239959	1	. Gear

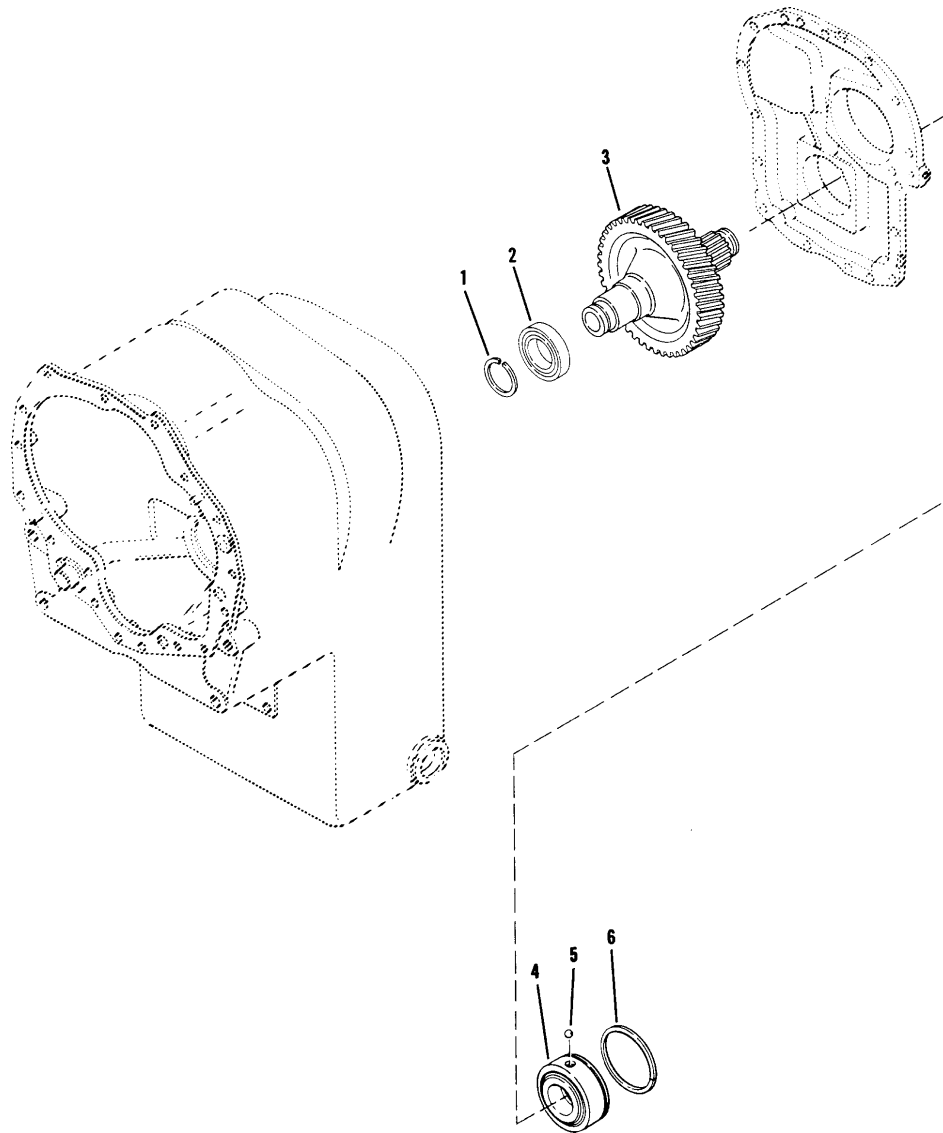




H664b06.pcx

### Transmission Clutch - Low

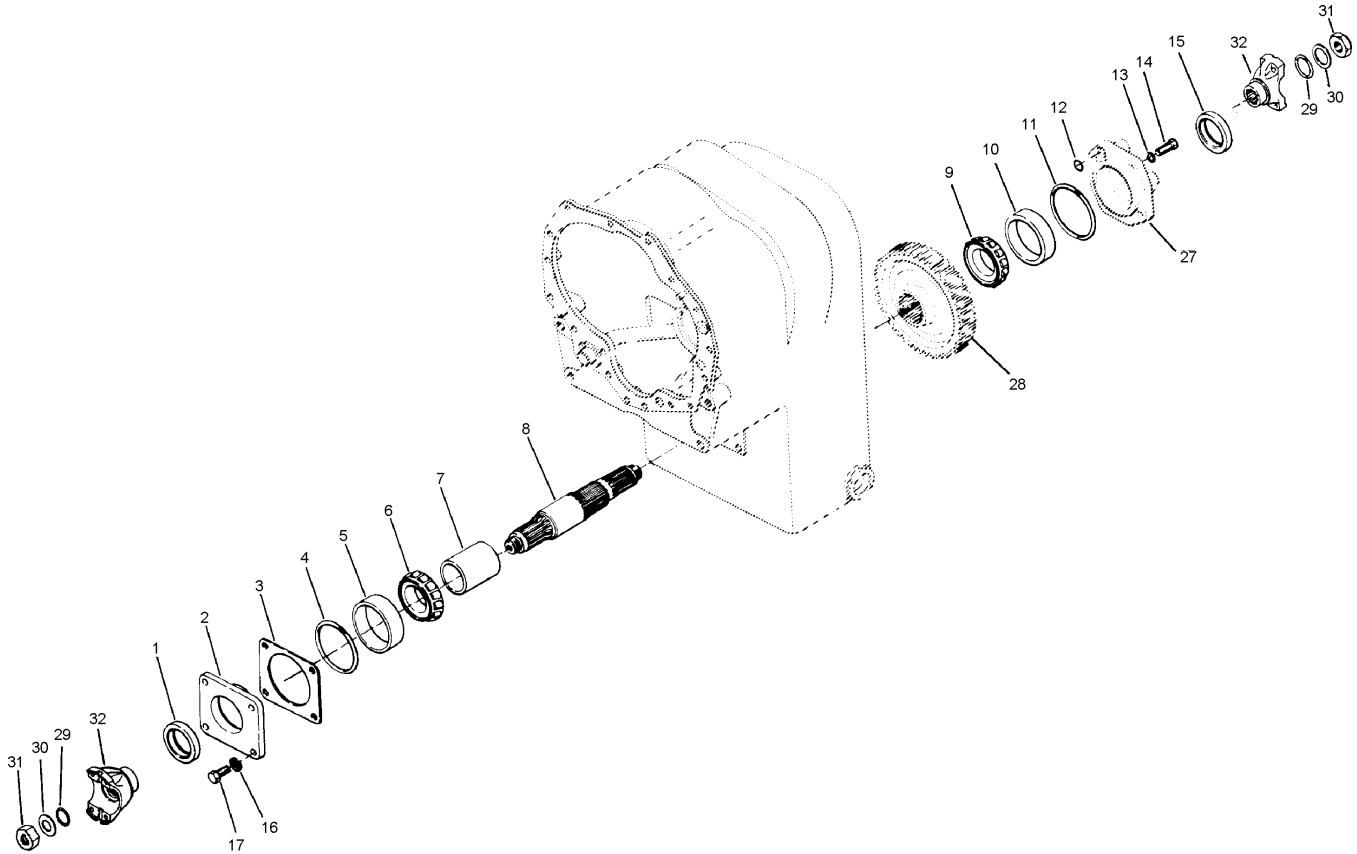
Item	Part No.	Qty	Description	Item	Part No.	Qty	Description
	<b>R12574779</b>		<b>Transmission (continued)</b>				
1	R12607132	1	. Shaft and Drum Assembly	17	R239911	1	. Ring
2	R230857	1	. Seal	18	R231779	1	. Bearing
3	R224771	1	. Seal	19	R231775	1	. End Plate
4	R245897	1	. Clutch Piston	20	R230886	1	. Bearing
5	R247274	9	. Disc, Outer	21	R244884	1	. Bearing
6	R248800	9	. Disc, Inner	22	R13801352	1	. Lockball
7	R224774	1	. End Plate	23	R237003	1	. Plate
8	R215190	1	. Ring	24	R13802318	3	. Cap screws
9	R239913	1	. Spacer	25	R247028	1	. Gasket
10	R12974777	1	. Spring Assembly (Set Of 5)	26	R233955	1	. Bearing Cap
11	R232076	1	. Retaining Ring	27	R13800828	5	. Lockwasher
12	R239911	1	. Ring	28	R13800882	5	. Cap screws
13	R731160	1	. Ring	29	R11992990	1	. Plug
14	R231780	1	. Bearing	30	R13802704	1	. O-Ring
15	R12003904	1	. Gear	31	R208768	1	. Ring
16	R801819	1	. Kit, Retainer Ring	32	R234649	1	. Locating Ring



4a07

### Transmission - Idler Shaft Group

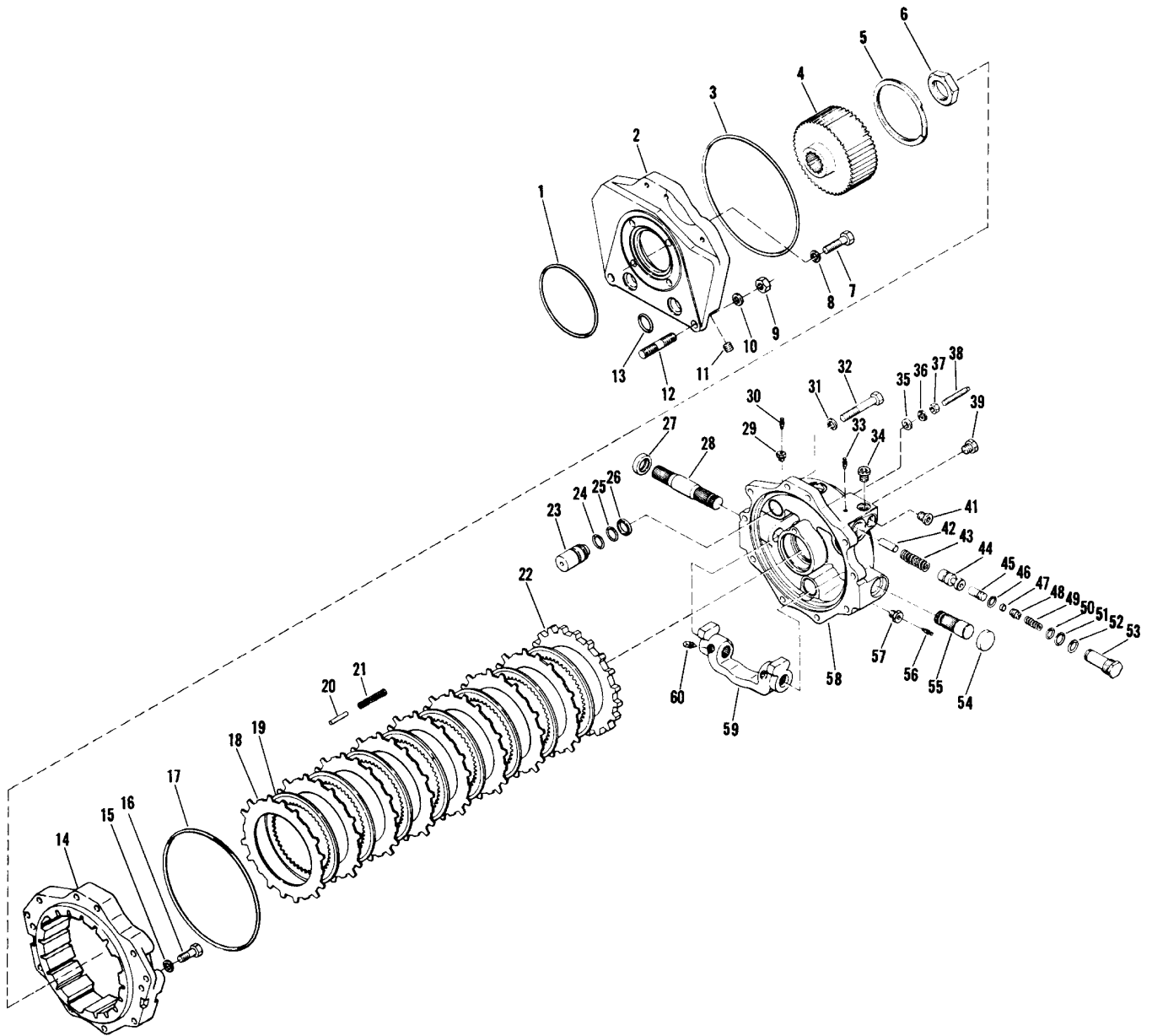
Item	Part No.	Qty	Description	Item	Part No.	Qty	Description
	<b>R12574779</b>		<b>Transmission (continued)</b>				
1	R230888	1	. Retaining Ring	4	R239922	1	. Bearing Assembly
2	R223386	1	. Bearing	5	R13801352	1	. Lock Ball
3	R243937	1	. Gear	6	R230952	1	. Ring



4a08

### Transmission - Output Shaft Group

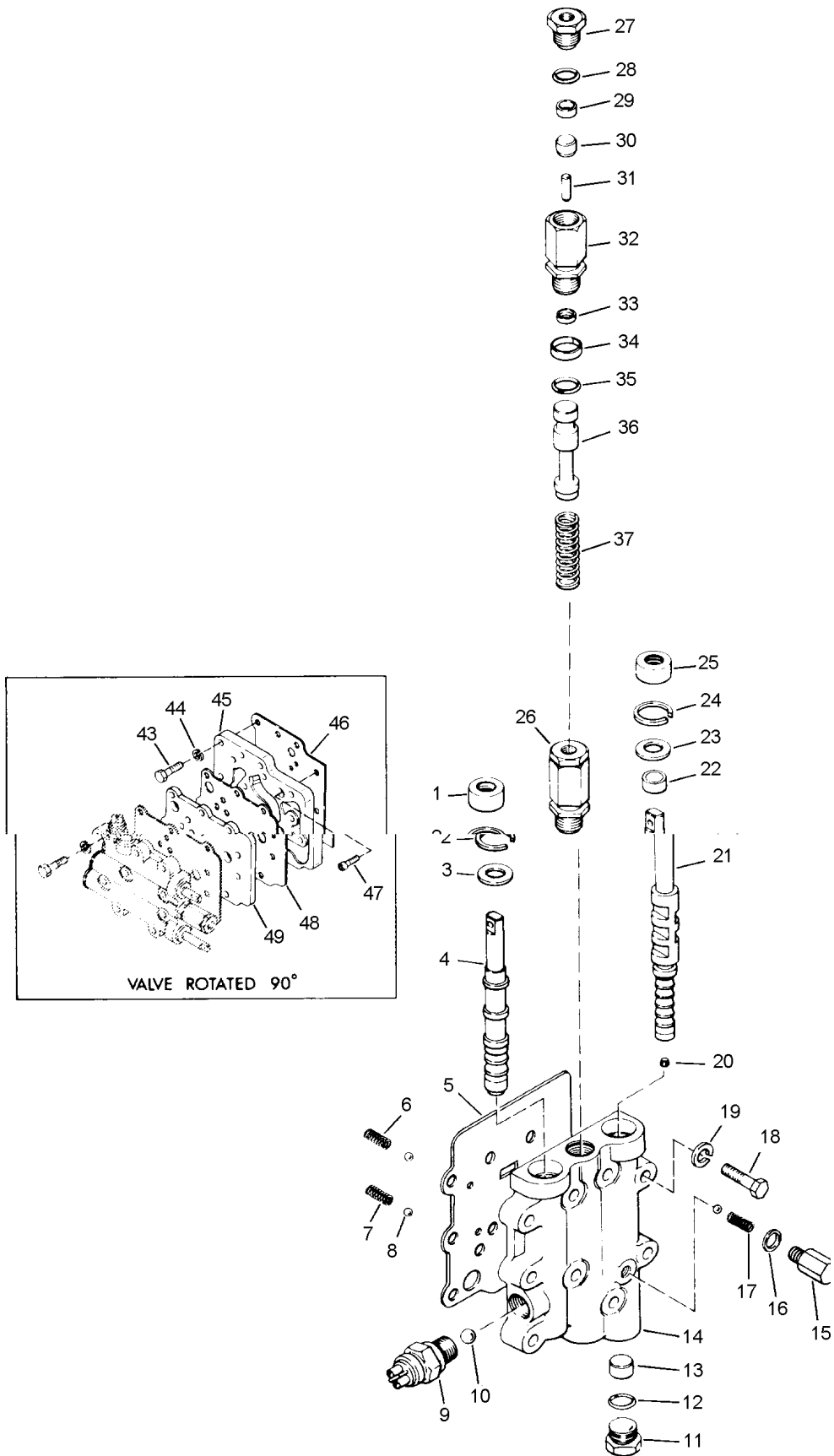
Item	Part No.	Qty	Description	Item	Part No.	Qty	Description
<b>R12574779</b>				<b>Transmission (continued)</b>			
1	R231884	1	. Oil Seal	11	R13802786	1	. O-Ring
2	R231818	1	. Bearing Cap	12	R13802709	1	. O-Ring
3	R231848	A/R	. Shim - .004 in.	13	R13800831	4	. Lockwasher
3A	R231849	A/R	. Shim - .007 in.	14	R13800256	4	. Capscrew
3B	R231850	A/R	. Shim - .010 in.	15	R231884	1	. Oil Seal
3C	R231851	A/R	. Shim - .020 in.	16	R13800831	4	. Washer
4	R13802783	1	. O-Ring	17	R13800253	4	. Capscrew
5	R1303281	1	. Bearing Cup	27	R231878	1	. Bearing Cap
6	R742242	1	. Bearing Cone	28	R239959	1	. Gear
7	R239980	1	. Spacer	29	R13802818	2	. O-Ring
8	R239932	1	. Output Shaft	30	R231916	2	. Washer
9	R742242	1	. Bearing Cone	31	R215634	2	. Nut
10	R7018416	1	. Bearing Cup	32	R247029	2	. Flange



## Transmission - Hydraulic Brake

Item	Part No.	Qty	Description	Item	Part No.	Qty	Description
	<b>R12574779</b>		<b>Transmission (continued)</b>				
	R801805		Seal Kit	31	R13800829	10	. Lockwasher
1	R13803660	1	. O-Ring	32	R13800224	10	. Capscrew
2	R233888	1	. Adapter	33	*a R1992651	1	. Bleed Screw
3	R13803670	1	. O-Ring	34	R13803421	1	. Plug
4	R243951	1	. Hub	35	R619023	1	. Washer
5	R4095201	1	. Ring	36	R231709	1	. Washer
6	R231639	1	. Nut	37	R13803675	1	. Nut
7	R233534	4	. Screw	38	R231705	1	. Screw
8	R106547	4	. Washer	39	R13802604	1	. Plug
9	R13806803	2	. Nut	41	R13803421	1	. Plug
10	R13800832	2	. Washer	42	*a R238270	1	. Stop
11	R13810545	1	. Plug	43	*a R231034	1	. Spring
12	R245229	2	. Stud	44	*a R240978	1	. Spool
13	R13803638	2	. O-Ring	45	*a R236893	1	. Piston
14	R231693	1	. Housing	46	*a R13804001	1	. O-Ring
15	R13800829	2	. Lockwasher	47	*a R227881	1	. Cup
16	R13801831	2	. Capscrew	48	*a R240979	1	. Expander
17	R13803670	1	. O-Ring	49	*a R4200080	1	. Spring
18	R4095205	8	. Disc	50	*a R237331	1	. Back-up Ring
19	R4095206	8	. Disc	51	*a R13804003	1	. O-Ring
20	R231055	6	. Pin	52	*a R13804059	1	. O-Ring
21	R234834	6	. Spring	53	*a R239493	1	. Housing
22	R231699	1	. Plate	54	R231751	1	. Plug
23	*a R236892	3	. Piston	55	R231703	1	. Shaft
24	*a R13804005	3	. O-Ring	56	*a R641297	1	. Bleed Screw
25	*a R13804005	3	. O-Ring	57	*a R238426	1	. Seat
26	*a R231701	3	. Ring	58	*a 231741	1	. Cover and Housing Assembly
27	R231708	1	. Seal	59	R235435	1	. Yoke
28	R245867	1	. Shaft	60	R201607	2	. Lockwasher
29	*a R238425	1	. Plug				
30	*a R641297	1	. Bleed Screw				

\*a Included with Cover and Housing Assembly, Item 58

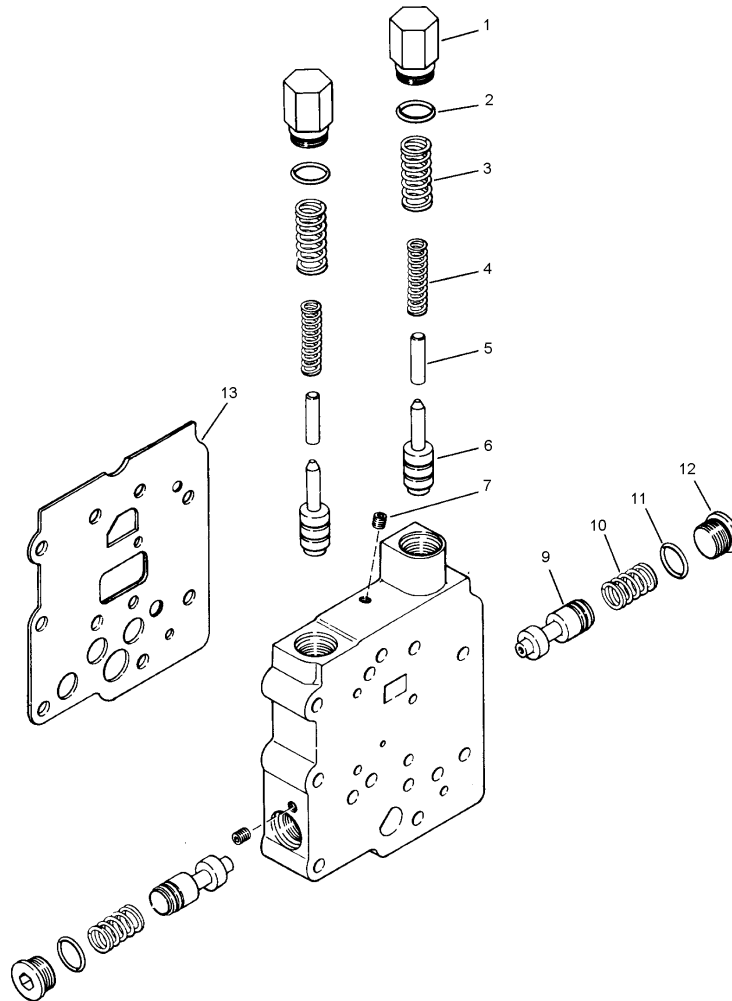


4a10

## Transmission Control Valve

Item	Part No.	Qty	Description	Item	Part No.	Qty	Description
	<b>R12574779</b>		<b>Transmission (continued)</b>				
1	*a R234651	1	. Oil Seal	24	*a R12969532	1	. Snap Ring
2	*a R12969532	1	. Snap Ring	25	*a R234651	1	. Oil Seal
3	*a R217657	1	. Washer	26	R215196	1	. Valve Assembly
4	*a R231158	1	. Spool	27	R215200	1	. Plug
5	R248023	1	. Gasket	28	R13802706	1	. O-Ring
6	R202200	1	. Spring	29	R208820	1	. Piston Cup
7	R202200	1	. Spring	30	R215199	1	. Spacer
8	R13801349	3	. Ball	31	R237275	1	. Pin
9	*a R242532	1	. Switch	32	NSS	1	. Housing
10	*a R13801349	1	. Ball	33	R237698	1	. Seal
11	*a R13807547	1	. Plug	34	R228931	1	. Seal
12	*a R13804268	1	. O-Ring	35	R13802707	1	. O-Ring
13	R231839	1	. Spacer	36	R231155	1	. Spool
14	*a R241636	1	. Control Valve Assembly	37	R231164	1	. Spring
15	R235058	1	. Plug	43	R13800884	4	. Capscrew
16	R235061	1	. Washer	44	R13800828	4	. Lockwasher
17	R202200	1	. Spring	45	R246923	1	. Valve Adapter Housing
18	R13800203	9	. Screw	46	R248025	1	. Gasket
19	R13800828	9	. Washer	47	R13803888	5	. Capscrew
20	*a R239243	1	. Plug	48	R248024	1	. Gasket
21	*a R241631	1	. Spool	49	R246855	1	. Plate
22	R231840	1	. Spacer				
23	*a R217657	1	. Washer				

\*a Included with Control Valve Assembly, Item 14

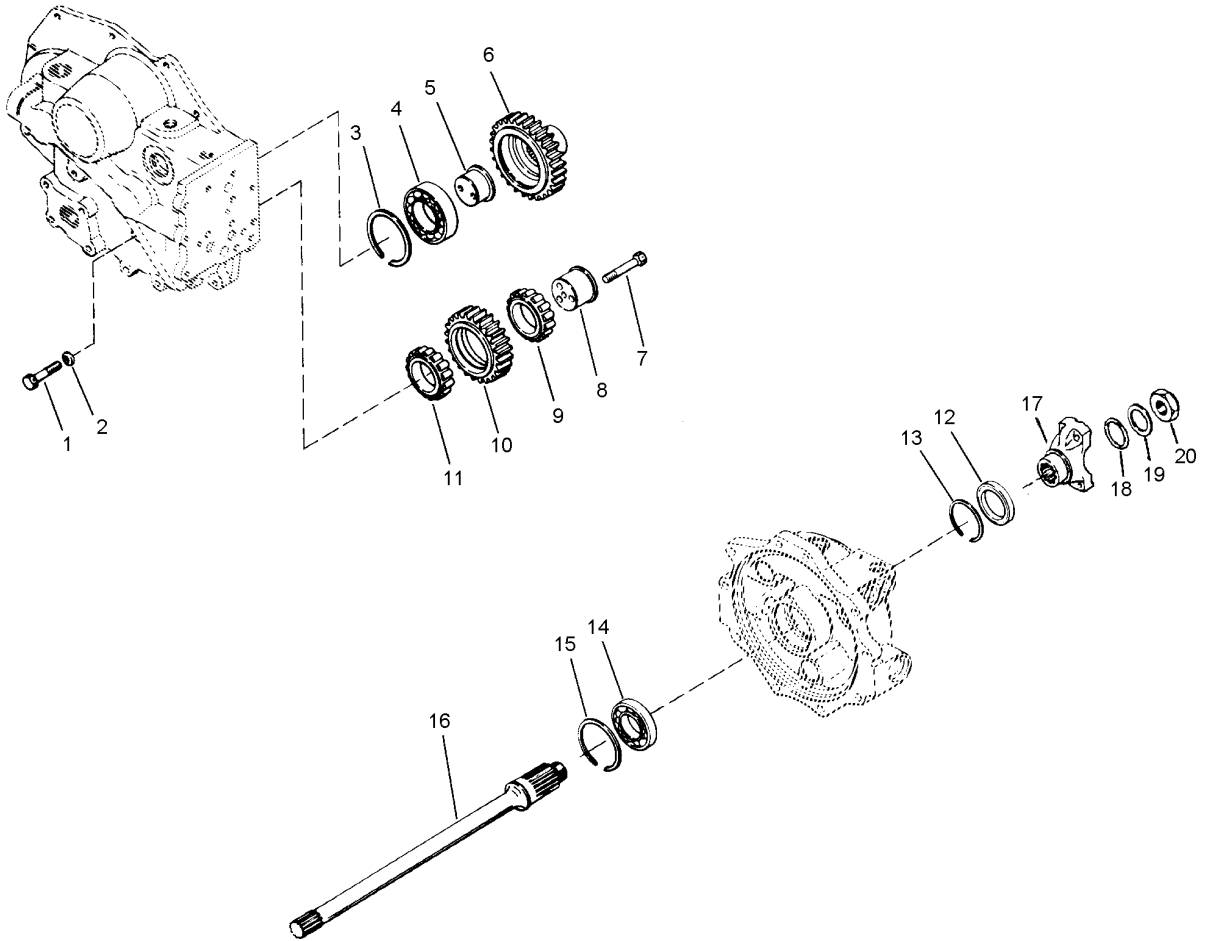


4a11

### Transmission Modulated Valve

Item	Part No.	Qty	Description	Item	Part No.	Qty	Description
	<b>R12574779</b>		<b>Transmission (continued)</b>				
	R243373	1	. Valve	7	R11992990	2	.. Plug
1	R237083	2	.. Plug	9	NSS	2	.. Spool
2	R13804268	2	.. O-Ring	10	R11993045	2	.. Spring
3	R241662	2	.. Spring	11	R13804268	1	.. O-Ring
4	R241667	2	.. Spring	12	R13803423	2	.. Plug
5	R237084	2	.. Pin	13	R248026	1	. Gasket
6	NSS	1	.. Valve Body				

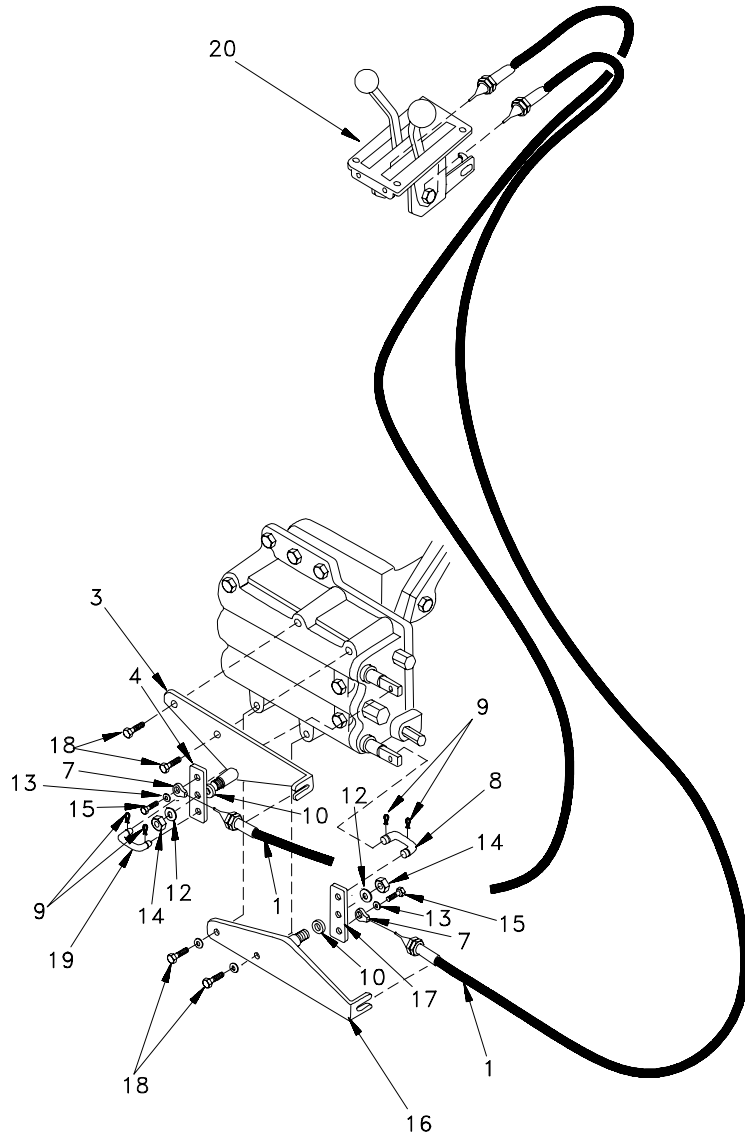




4a12

### Transmission - Single Direction P.T.O. Group

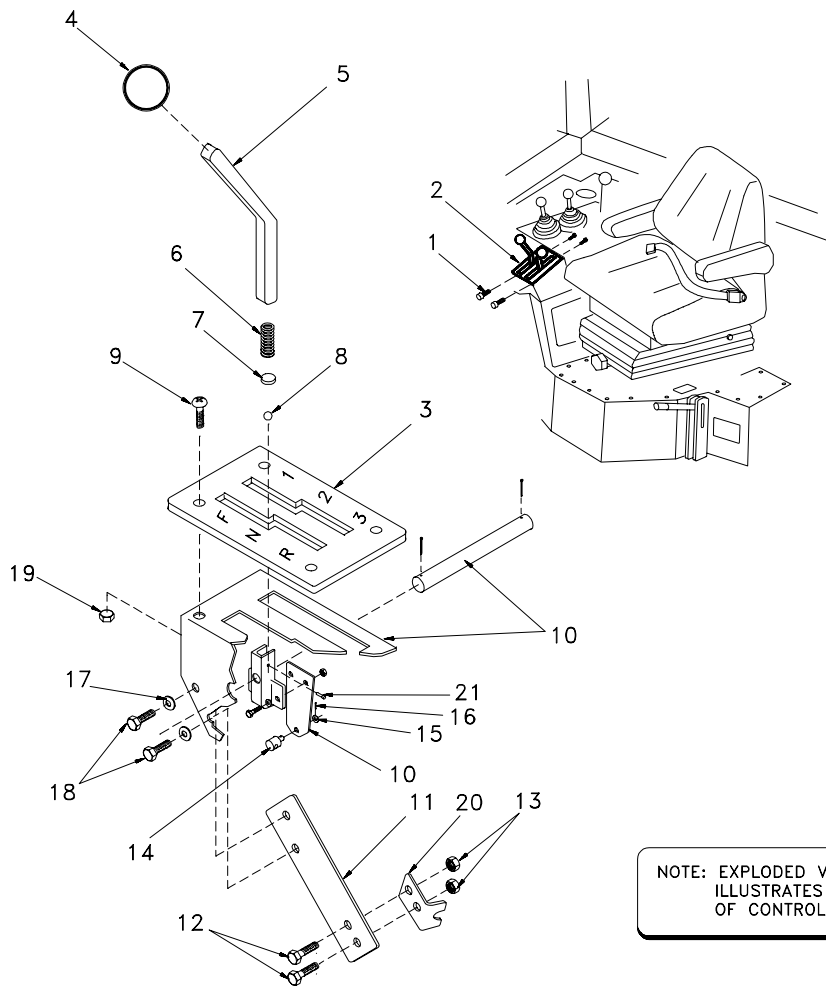
Item	Part No.	Qty	Description	Item	Part No.	Qty	Description
	<b>R12574779</b>		<b>Transmission (continued)</b>				
1	R13800798	2	. Capscrew	11	R231624	1	. Race and Roller Asm
2	R743039	2	. Lockwasher	12	R206864	1	. Seal Oil
3	R223925	1	. Ring	13	R223862	1	. Retaining Ring
4	R4011012	1	. Bearing	14	R233488	1	. Beairng
5	R231636	1	. Shaft	15	R223881	1	. Ring
6	R12974318	1	. Gear	16	R1992643	1	. P.T.O. Shaft
7	R13800713	3	. Screw	17	R231553	1	. Yoke
8	R234864	1	. Shaft	18	R13802760	1	. O-Ring
9	R231624	1	. Race and Roller Asm	19	R102745	1	. Washer
10	R246706	1	. Gear	20	R216085	1	. Nut



H664a13.dwg

### Transmission Shift Control

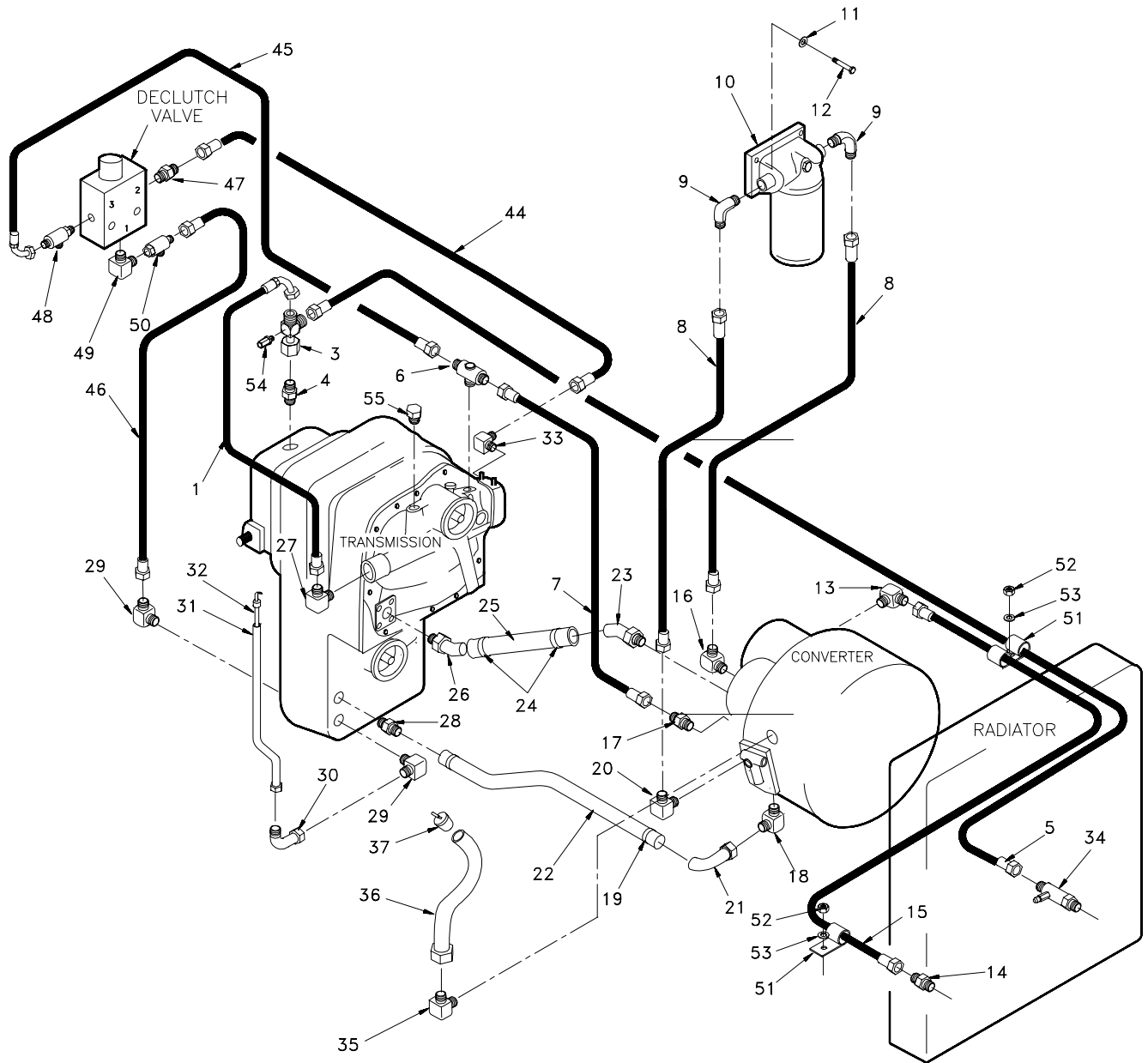
Item	Part No.	Qty	Description	Item	Part No.	Qty	Description
1	R10675	2	Cable, Shift	13	R13811429	2	Washer
2	R1539058	4	Strap, Tie	14	R13811191	2	Nut
3	R11435	1	Bracket, Shift	15	R13810814	2	Capscrew
4	R11436	1	Link, Shift	16	R10636	1	Cable Mount
7	R10676	2	Rod End	17	R10633	1	Plate
8	R1935249	1	Link	18	R13811047	4	Capscrew
9	R13800351	4	Pin, Cotter	19	R13507	1	Link
10	R1610636	2	Bearing	20	* R11377	1	Transmission Shifter (4-1.31)
11	R13812514	4	Washer				
12	R13811431	2	Washer				



H664a14.dwg

### Transmission Shift Controller

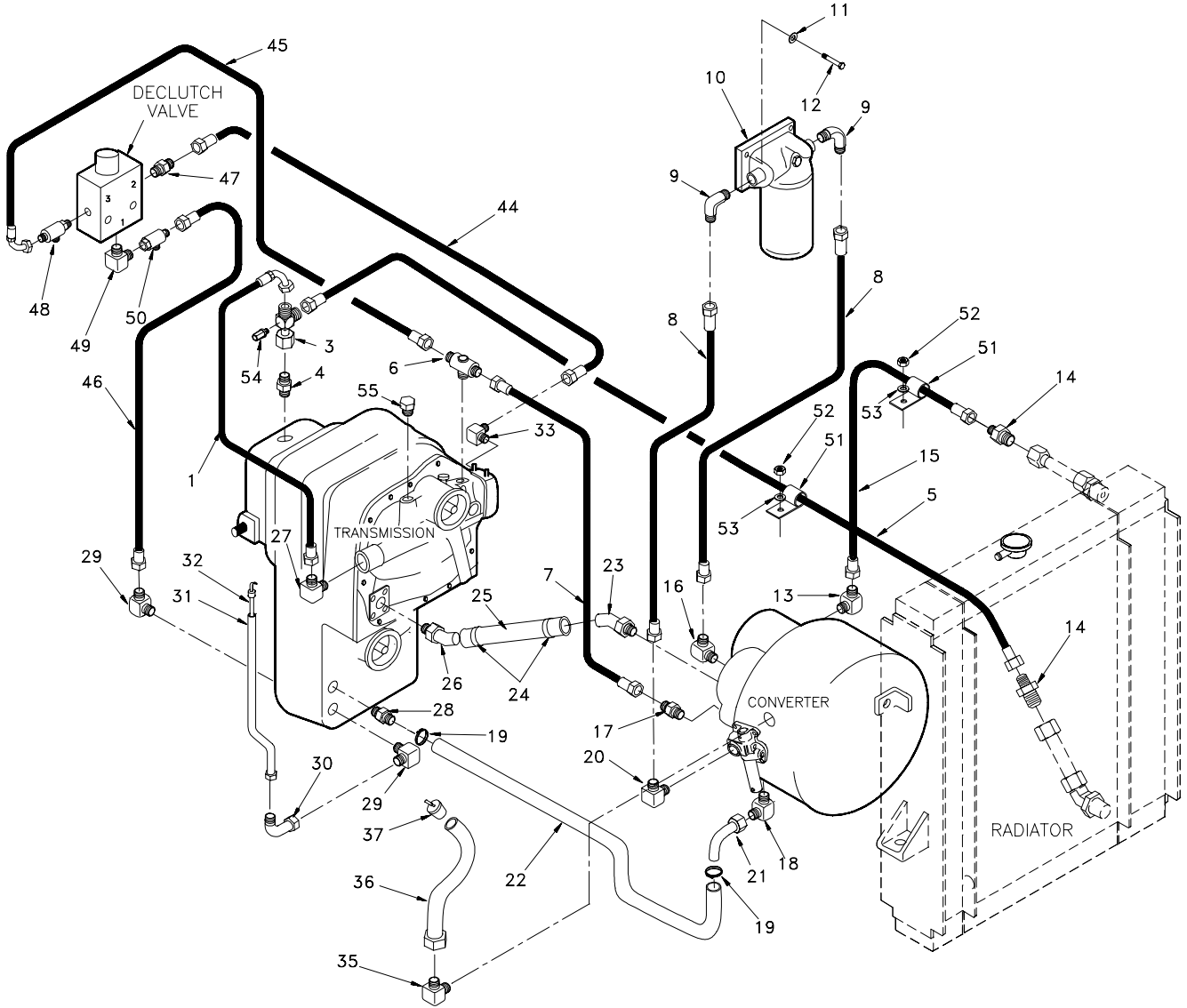
Item	Part No.	Qty	Description	Item	Part No.	Qty	Description
1	R13807736	4	Capscrew	12	R11527	4	. Capscrew
2	R11377	1	Shift Controller	13	R11528	4	. Nut
3	R11520	1	. Gate Plate	14	R11529	2	. Swivel
4	R11153	2	. Handle, Knob	15	R11530	2	. Washer
5	R11521	2	. Lever	16	R11531	2	. Cotter Pin
6	R11522	2	. Spring	17	R11532	4	. Washer
7	R11523	2	. Disk	18	R11527	4	. Capscrew
8	R11524	2	. Ball	19	R11533	4	. Nut
9	R11525	4	. Screw	20	R11534	2	. Bracket
10	NSS	1	. Housing	21	R11535	2	. Clevis Pin
11	R11526	2	. Strap				



4a15.d

## Transmission and Converter Plumbing

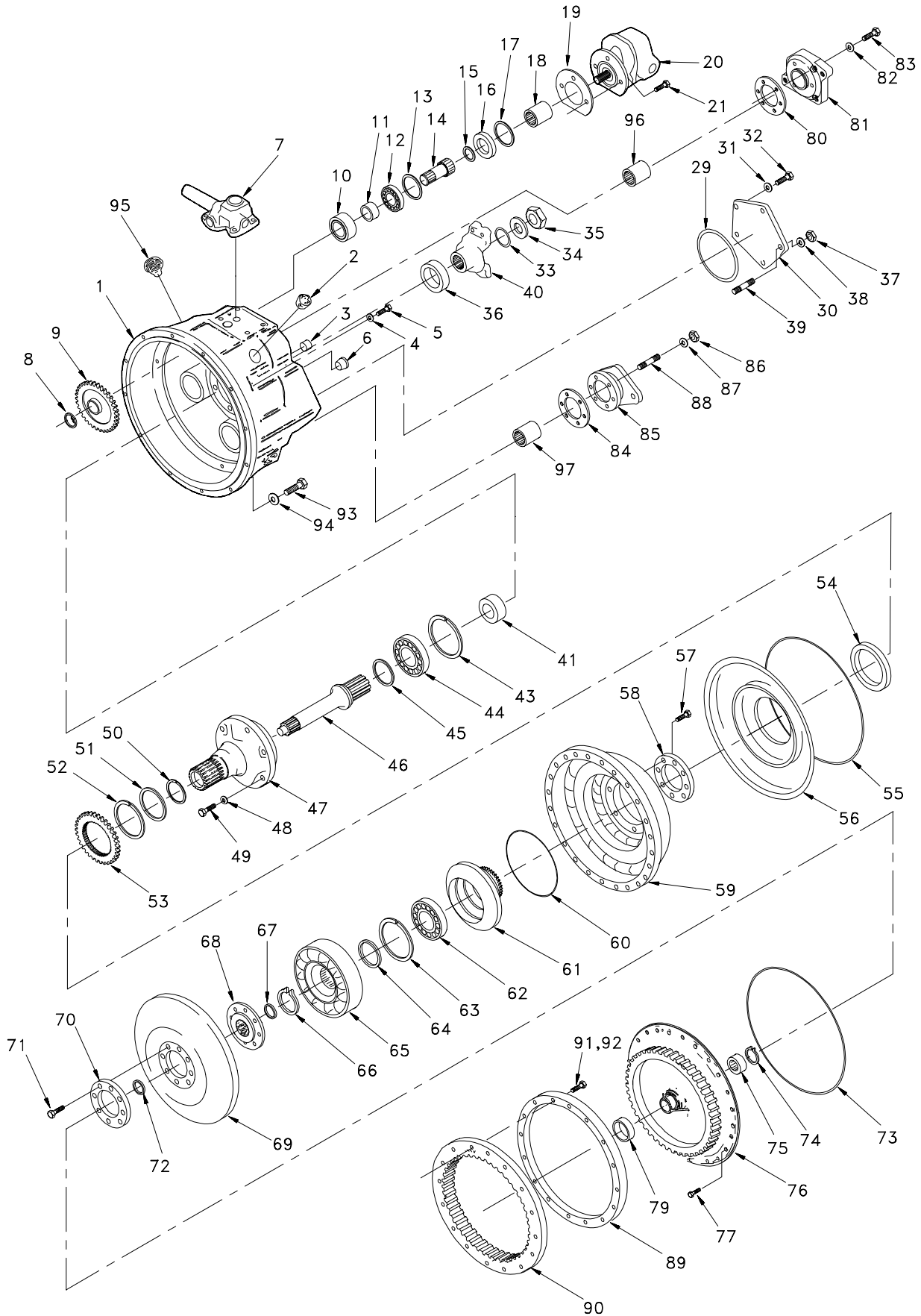
Item	Part No.	Qty	Description	Item	Part No.	Qty	Description
1	R12609	1	Hose Assembly	29	R11131	1	Fitting
3	R15199	1	Fitting	30	R13801461	1	Fitting
4	R830065	1	Fitting	31	R11137	1	Tube, Dipstick
5	R14801	1	Hose Assembly	32	R10680	1	Dipstick
6	R14293	1	Fitting	33	R13804104	1	Elbow
7	R12123	1	Hose Assembly	34	R11026	1	Fitting
8	R12307	2	Hose Assembly	35	*a R14431	1	Fitting, Elbow
9	12666	2	Fitting		*b 225025	1	Fitting, Straight
10	R1930615	1	Filter Assembly	36	*a R14309	1	Tube
	R1992156	1	. Filter Element		*b R15460	1	Tube
11	R13811431	4	Washer	37	*a R14362	1	Cap
12	R13811037	4	Capscrew		*b R15594	1	Cap
13	R11760	1	Fitting	44	R12033	1	Hose Assembly
14	R12000278	1	Fitting	45	R12124	1	Hose Assembly
15	R14802	1	Hose Assembly	46	R12227	1	Hose Assembly
16	12666	1	Fitting	47	R1308081	1	Fitting
17	23577	1	Fitting	48	R13802310	1	Fitting
18	R13804101	1	Fitting	49	R13466	1	Fitting
19	R13809929	2	Clamp, T-Bolt	50	R13801594	1	Fitting
20	R13801975	1	Fitting	51	R13805003	3	Clip
21	R2560856	1	Tube Assembly, Suction	52	R13811191	2	Nut
22	R14361	1	Hose	53	R13806980	2	Washer
23	R1937684	1	Hose End	54	R13801762	1	Plug
24	R13809935	2	Clamp, T-Bolt	55	R13801765	1	Fitting
25	R12600125	1	Hose				
26	R12600123	1	Tube		*a Last used Unit S/N 1615		
27	R13807511	2	Fitting		*b First used Unit S/N 1616		
28	R667289	1	Fitting				



4b15.dwg

## Transmission and Converter Plumbing

Item	Part No.	Qty	Description	Item	Part No.	Qty	Description
1	R12609	1	Hose Assembly	25	R12600125	1	Hose
3	R15199	1	Fitting	26	R12600123	1	Tube
4	R830065	1	Fitting	27	R13807511	2	Fitting
5	R14801	1	Hose Assembly	28	R667289	1	Fitting
6	R14293	1	Fitting	29	R11131	1	Fitting
7	R12123	1	Hose Assembly	30	R13801461	1	Fitting
8	R12307	2	Hose Assembly	31	R11137	1	Tube, Dipstick
9	12666	2	Fitting	32	R10680	1	Dipstick
10	R1930615	1	Filter Assembly	33	R13804104	1	Elbow
	R1992156	1	. Filter Element	35	225025	1	Fitting, Straight
11	R13811431	4	Washer	36	R15460	1	Tube
12	R13811037	4	Capscrew	37	R15594	1	Cap
13	R11760	1	Fitting	44	R12033	1	Hose Assembly
14	209442	2	Fitting	45	R12124	1	Hose Assembly
15	R14802	1	Hose Assembly	46	R12227	1	Hose Assembly
16	12666	1	Fitting	47	R1308081	1	Fitting
17	23577	1	Fitting	48	R13802310	1	Fitting
18	R13804101	1	Fitting	49	R13466	1	Fitting
19	R13809929	2	Clamp, T-Bolt	50	R13801594	1	Fitting
20	R13801975	1	Fitting	51	R13805003	3	Clip
21	R2560856	1	Tube Assembly, Suction	52	R13811191	2	Nut
22	R14361	1	Hose	53	R13806980	2	Washer
23	R1937684	1	Hose End	54	R13801762	1	Plug
24	R13809935	2	Clamp, T-Bolt	55	R13801765	1	Fitting

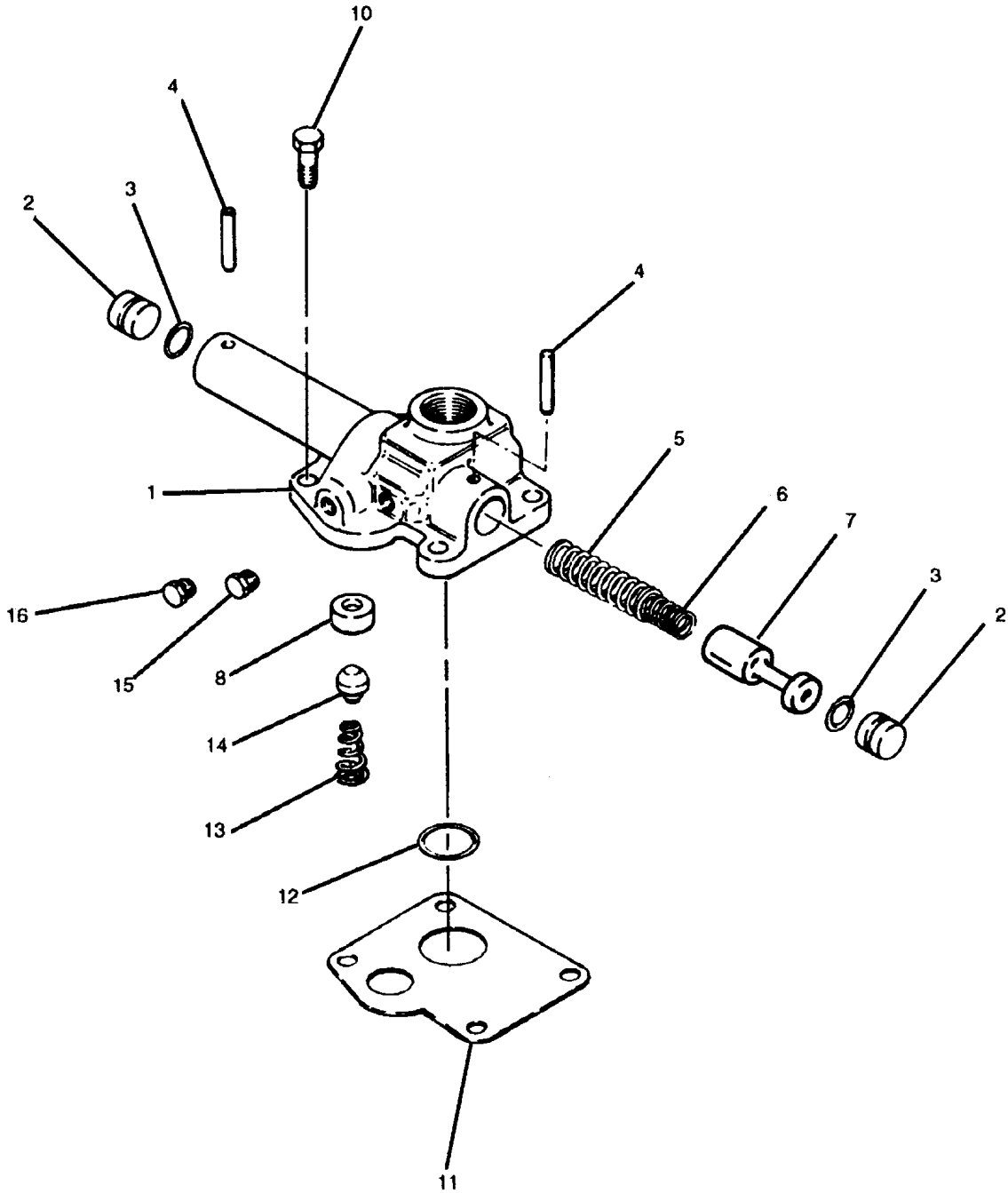


4b16.dwg



## Converter Assembly

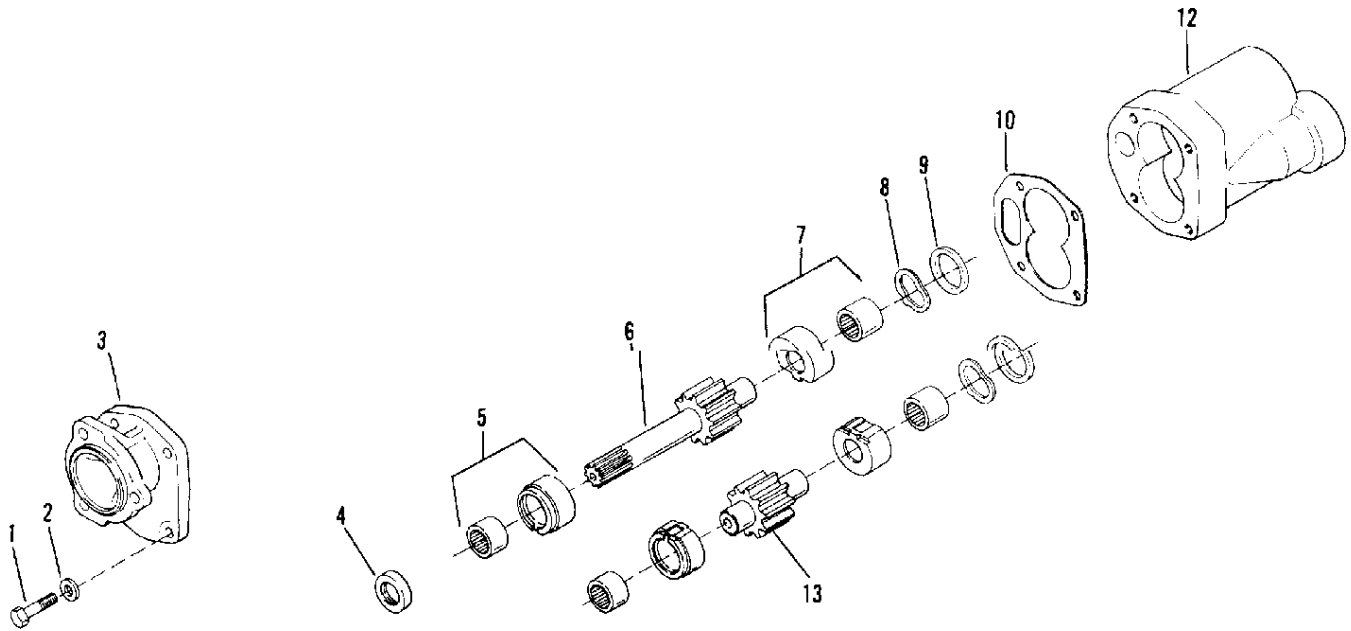
Item	Part No.	Qty	Description	Item	Part No.	Qty	Description
	<b>R14428</b>		<b>Converter</b>				
	R801227		. Seal Kit	55	R13803671	1	. O-Ring
1	R214980	1	. Converter Housing	56	*a R12607001	1	. Oil Baffle
2	R13801765	4	. Plug	57	R237233	12	. Screw
3	R13801763	1	. Plug	58	R237234	1	. Backing Ring
4	R13800828	3	. Lockwasher	59	R237230	1	. Impeller
5	R13800194	3	. Screw	60	R13803662	1	. O-Ring
6	R13810529	1	. Plug	61	R237232	1	. Hub
7	* R214943	1	. Valve, Pressure Reg (4-1.22)	62	R239743	1	. Bearing
8	R711298	3	. Snap Ring	63	R238705	1	. Snap Ring
9	R214931	3	. Gear	64	R229566	1	. Spacer
10	R214936	3	. Bearing	65	R237572	1	. Reaction Member
11	R214930	3	. Spacer	66	R243262	1	. Snap Ring
12	R214956	3	. Bearing	67	R15181	1	. Retaining Ring
13	R214954	3	. Snap Ring	68	R214924	1	. Turbine Hub
14	R237548	3	. Drive Shaft	69	R240467	1	. Turbine
15	R224039	3	. Snap Ring	70	R242045	1	. Backing Ring
16	R214929	3	. Washer	71	R242046	8	. Screw
17	R713386	3	. Snap Ring	72	R15181	1	. Retaining Ring
18	R214962	1	. Sleeve	73	R11992882	1	. O-Ring
19	R235961	1	. Gasket	74	R9411617	1	. Snap Ring
20	* R238135	1	. Charging Pump (4-1.39)	75	R214988	1	. Bearing
21	R233128	3	. Capscrew	76	R801524	1	. Cover (Includes item 79)
29	R13803657	1	. O-Ring	77	R233128	24	. Capscrew
30	R214974	1	. Retainer	79	R222006	1	. Sleeve
31	R13806996	3	. Lockwasher	80	R235961	1	. Gasket
32	R13800215	3	. Screw	81	R15174	1	. Adapter, Pump
33	R13803639	1	. O-Ring	82	R13809589	3	. Lockwasher
34	R102745	1	. Washer	83	R13800188	3	. Capscrew
35	R216058	1	. Nut	84	R235961	1	. Gasket
36	R206864	1	. Oil Seal	85	R219368	1	. Adapter, Pump
37	R13809566	2	. Nut	86	R13801184	3	. Nut
38	R13800829	2	. Lockwasher	87	R13800828	3	. Lockwasher
39	R214730	2	. Stud	88	R207647	3	. Stud
40	R214987	1	. Flange	89	R236937	1	. Backing Plate
41	R214984	1	. Spacer		R13462	1	. Kit, Ring Gear
43	R214953	1	. Snap Ring	90	R11025	1	. Ring Gear
44	R239742	1	. Bearing	91	R15102	1	. Loctite
45	R222079	1	. Piston Ring	92	234870	32	. Capscrew
46	R214983	1	. Shaft	93	R13811210	12	. Capscrew
47	R237405	1	. Support	94	R13811431	12	. Washer
48	R13801012	6	. Lockwasher	95	R233598	1	. Breather
49	R13800234	6	. Capscrew	96	R235262	1	. Pump Sleeve
50	R237243	1	. Spring		234581	1	. Snap Ring
51	R237242	1	. Ring	97	R231909	1	. Pump Sleeve
52	R224009	1	. Snap Ring		R658130	1	. Snap Ring
53	R214951	1	. Gear				
54	*a R237025	1	. Oil Seal				*a Oil Baffle Assembly P/N R802003



4a19

### Pressure Regulating Group

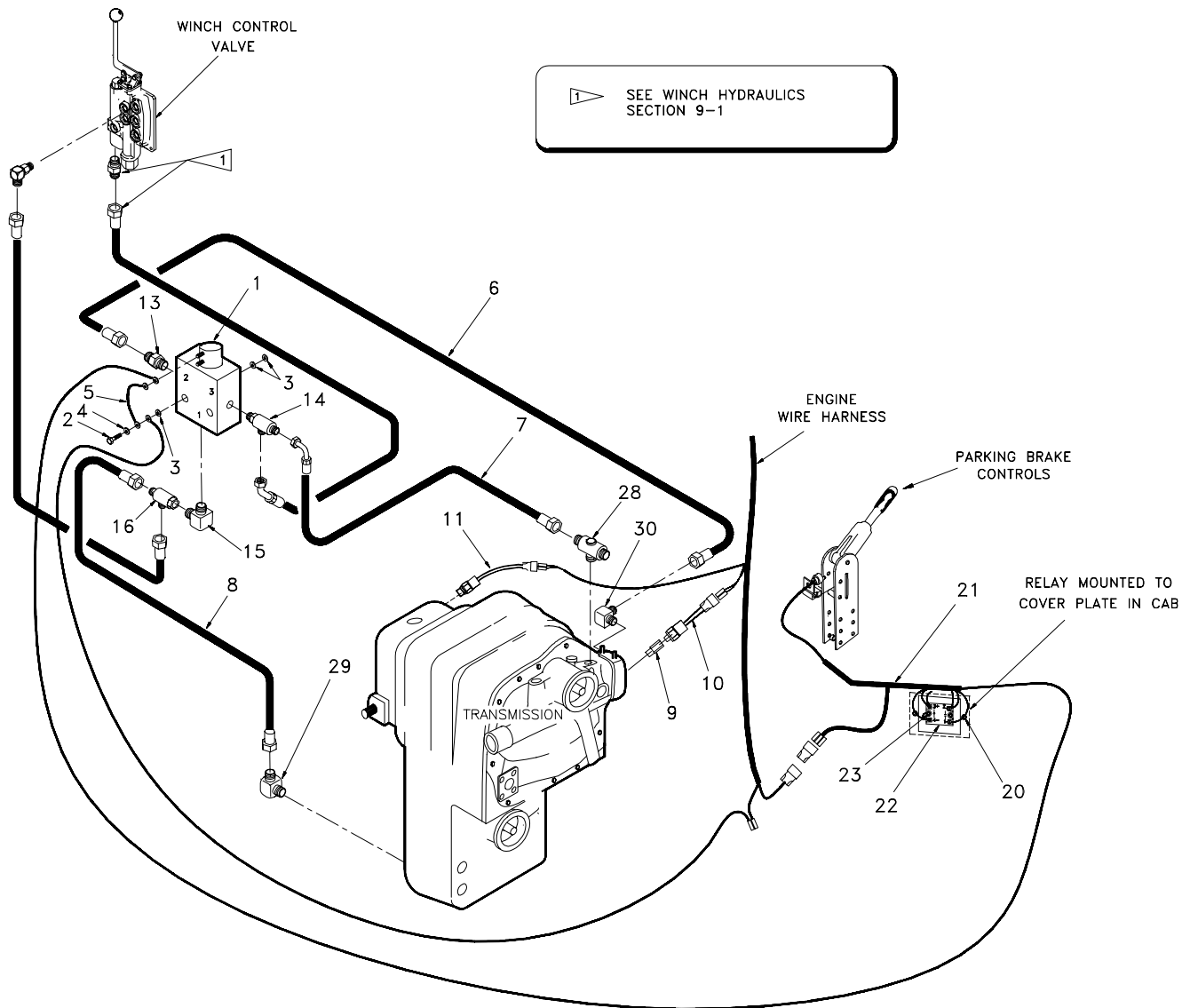
Item	Part No.	Qty	Description	Item	Part No.	Qty	Description
<b>Pressure Regulating Group</b>							
1	R214943	1	. Regulator Valve Asm.	11	*a R214949	1	. Gasket
2	R220983	2	. . Valve Stop	12	*a R13803636	1	. O-Ring
3	R13803623	2	. . O-Ring	13	R222312	1	. Spring
4	R660178	2	. . Roll Pin	14	R222318	1	. Plunger
5	R224369	1	. . Valve Spring - Outer	15	209511	1	. Plug
6	R224368	1	. . Valve Spring - Inner	16	209511	1	. Plug
7	R224466	1	. . Valve Piston				
8	R214946	1	. . Safty Valve Seat				
10	R233125	1	. Screw, Lockwasher				
					*a Seal Kit P/N R801227		



4a18

### Charging Pump

Item	Part No.	Qty	Description	Item	Part No.	Qty	Description
	<b>R238135</b>		<b>Charging Pump</b>				
1	R4480388	4	. Screw	7	R238124	2	. Thrust Plate and Bearing Asm
2	R13800828	4	. Lockwasher	8	R234640	2	. Wave Spring
3	NSS	1	. Plate	9	R234643	2	. Seal
4	R456294	1	. Oil Seal	10	R238116	1	. Gasket
5	R234830	2	. Thrust Plate and Bearing Asm	12	NSS	1	. Pump Body
6	R238136	1	. Drive Shaft Asm	13	R238134	1	. Shaft Asm



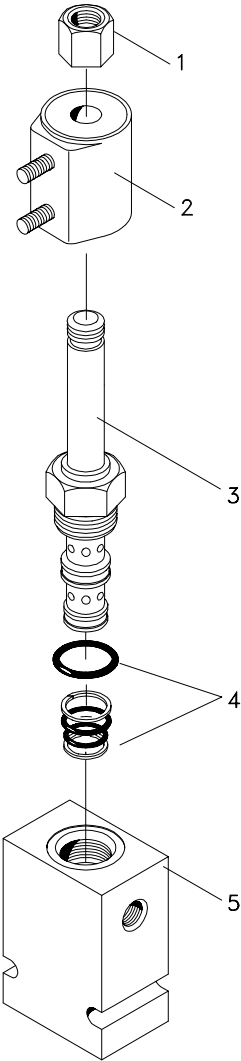
4a19.dwg

### Declutch System

Item	Part No.	Qty	Description	Item	Part No.	Qty	Description
1	* R13653	1	Valve (4-1.25)	16	R13801594	1	Fitting
2	R13810996	2	Capscrew	20	R13805118	2	Nut
3	R13811443	6	Washer	21	*a R13797	1	Wire Harness, Declutch
4	R13800826	2	Washer		*b R15511	1	Wire Harness, Declutch
5	R10075	1	Diode Assembly	22	R11754	1	Relay
6	R12033	1	Hose Assembly	23	R13809458	2	Machine Screw
7	R12124	1	Hose Assembly	28	R14293	1	Fitting
8	R12227	1	Hose Assembly	29	R11131	1	Fitting
9	R1517252	1	Fitting	30	R13804104	1	Fitting
10	R11152	1	Switch, Press				
11	R11155	1	Switch, Press				
13	R1308081	1	Fitting				
14	R13802310	1	Fitting				
15	R13466	1	Fitting				

\*a Last used Unit S/N 1

\*b First used Unit S/N 1

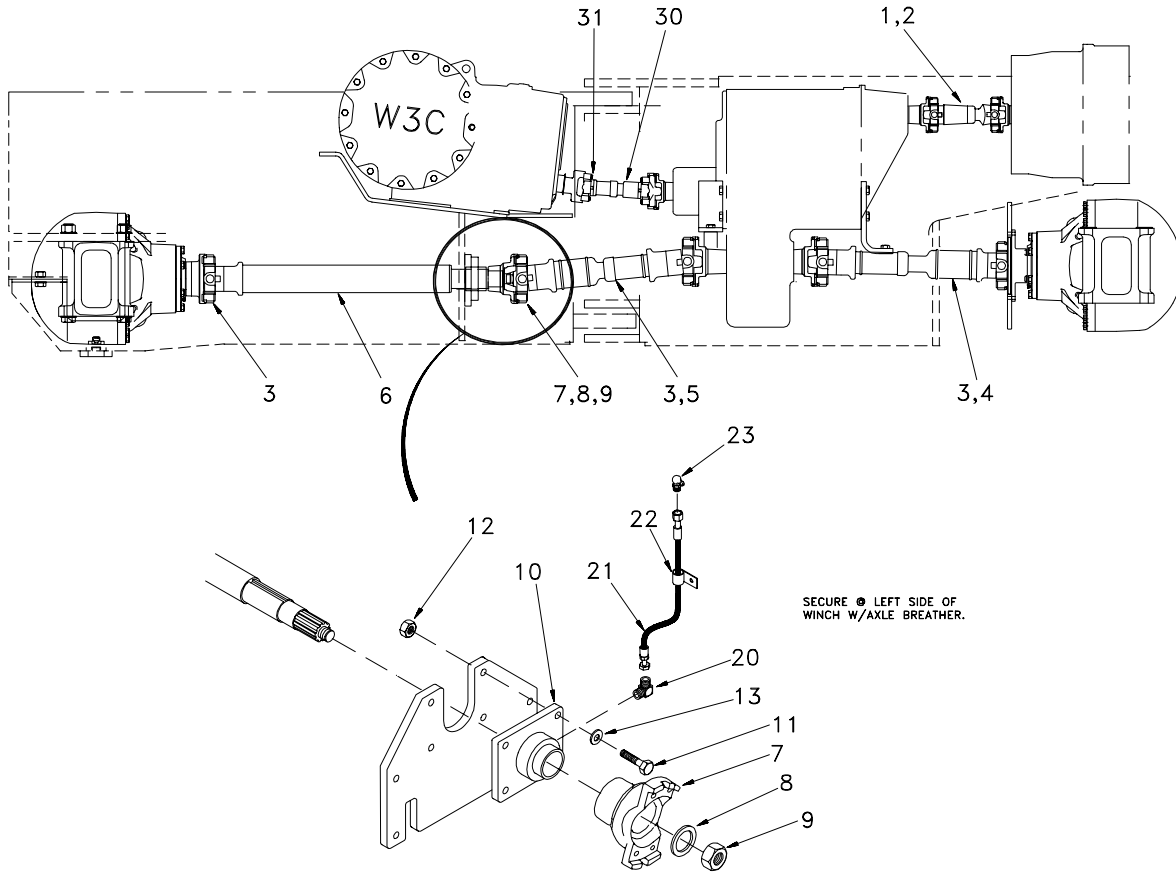


H664a20.dwg

### Declutch Solenoid Valve

Item	Part No.	Qty	Description	Item	Part No.	Qty	Description
	<b>R13653</b>		<b>Declutch Solenoid Valve</b>				
1	NSS	1	. Nut	4	R12973126	1	. Seal Kit
2	240979	1	. Coil	5	R12973129	1	. Body
3	R12973127	1	. Cartridge				

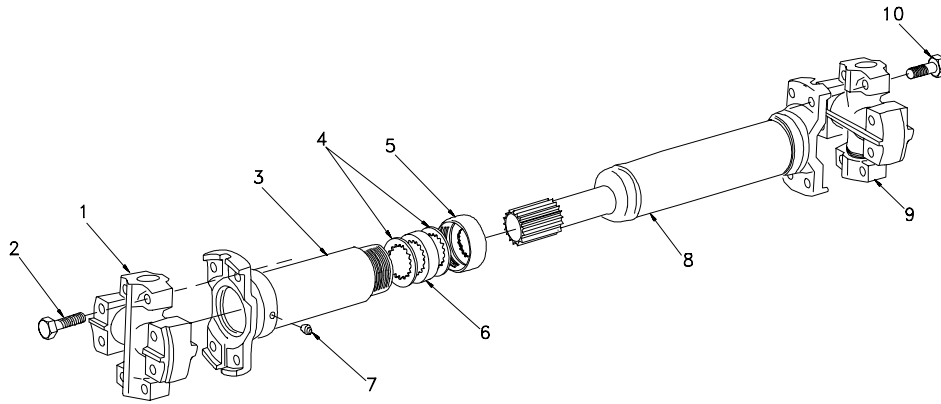
Intentionally Blank



H664a21.dwg

### Driveline Installation

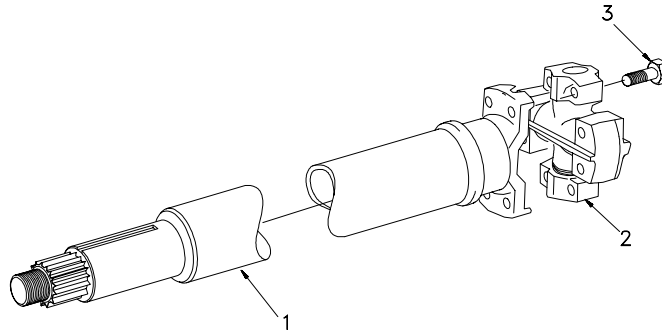
Item	Part No.	Qty	Description	Item	Part No.	Qty	Description
1	* R12568623	1	Driveline Assembly (4-2.2)	11	R13811126	4	Capscrew
2	R13806334	8	Capscrew	12	R13811195	4	Nut
3	R13810900	20	Capscrew	13	R13811435	4	Washer
4	R12600027	1	Driveline Assembly	20	R1518609	1	Fitting
	*a R15433	1	Driveline Assembly (4-2.3)	21	R14803	1	Hose Assembly
	*b R16001	1	Driveline Assembly (4-2.3)	22	R13803039	1	Clip
5	* R12575622	1	Driveline Assembly (4-2.4)	23	R13801533	1	Fitting, Lube
	*b R15659	1	Driveline Assembly (4-2.4)	30	* R1937747	1	Driveline Assembly (4-2.5)
6	*a R12577237	1	Driveline Assembly (4-2.2)	31	R13806334	8	Capscrew
	*c R16219	1	Driveline Assembly (4-2.2)				
7	R1929342	1	Yoke				*a First used on Unit S/N 1500
8	R1929491	1	Washer				*b First used on Unit S/ N 1616
9	R1929492	1	Nut				*c Long Wheel Base Units Only
10	R1938169	1	Bearing/Seal Assembly				



4a22.dwg

### Driveline - Transmission to Converter

Item	Part No.	Qty	Description	Item	Part No.	Qty	Description
	<b>R12568623</b>		<b>Driveline - Trans. to Conv.</b>				
1	R12968393	1	. Spider Assembly	6	R12968106	1	. . Seal
2	R13802020	4	. . Capscrew	7	R13801340	1	. . Grease Fitting
3	R12968104	1	. Yoke Assembly	8	R12968105	1	. Propshaft
4	R1990957	2	. . Washer	9	R12968103	1	. Spider Assembly
5	R12000082	1	. . Retainer	10	R13802020	4	. . Capscrew



4a23.dwg

### Driveline - Rear Axle

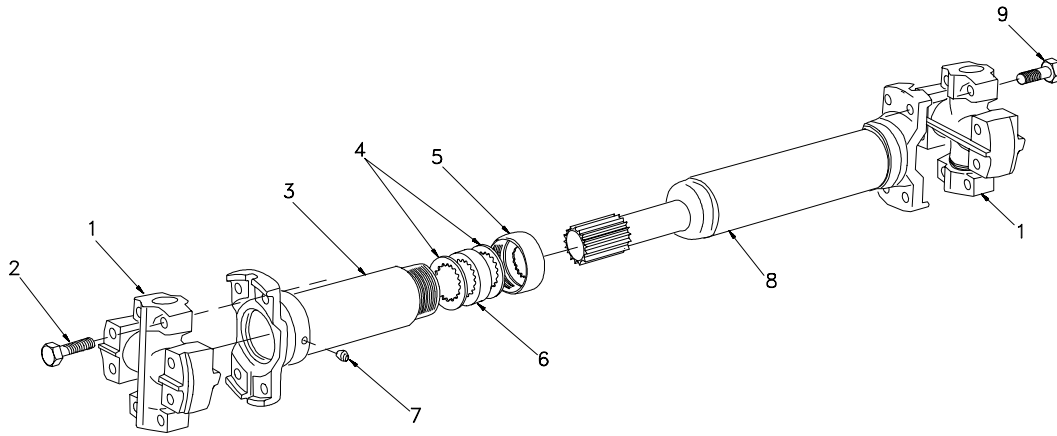
Item	Part No.	Qty	Description	Item	Part No.	Qty	Description
	<b>*a R12577237</b>		<b>Driveline - Rear Axle</b>				
	<b>R16219</b>		<b>Driveline - Rear Axle (Long Wheel Base)</b>				
1	NSS	1	. Prop Shaft				
2	R12968397	1	. Spider Assembly				
3	R13802020	4	. . Capscrew				

\*a First used on Unit S/N 1500



First used on Unit S/N 1500

H664b22.dwg

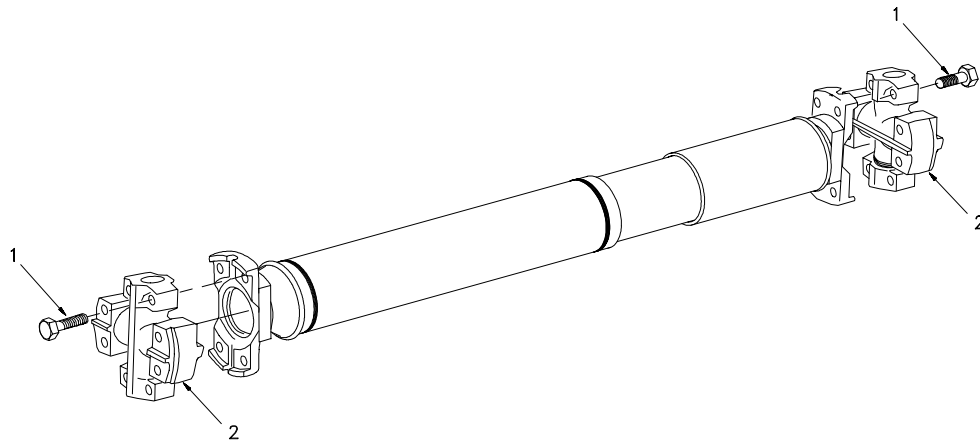


### Driveline - Transmission to Front Axle

Item	Part No.	Qty	Description	Item	Part No.	Qty	Description
	<b>R15433</b>		<b>Driveline</b>				
1	R12968397	2	. U-Joint Assembly	7	R13801339	1	. . Grease Fitting
2	R13806346	4	. . Cap screw	8	R12607025	1	. Tube Assembly
3	R12968398	1	. Yoke Assembly	9	R13806346	4	. . Cap screw
4	*a -----	2	. . Washer				
5	*a -----	1	. . Retainer				*a Service Kit P/N R12969172
6	*a -----	1	. . Seal				

First used on Unit S/N 1616

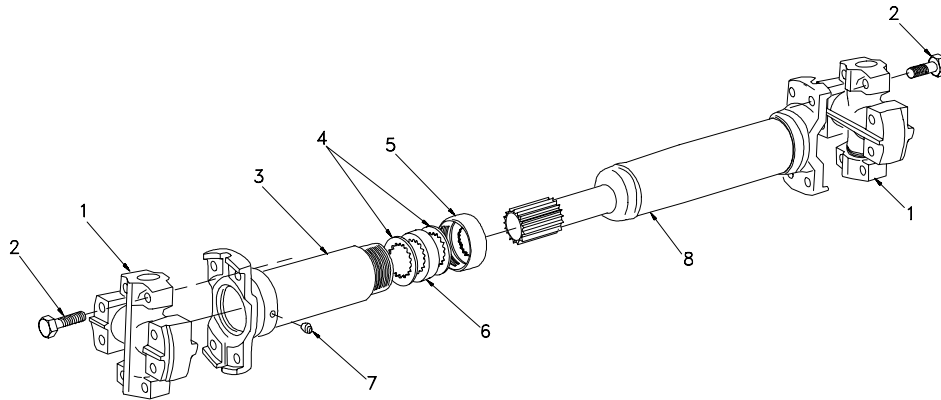
4b22.dwg



### Driveline - Transmission to Front Axle

Item	Part No.	Qty	Description	Item	Part No.	Qty	Description
	<b>R16001</b>		<b>Driveline</b>				
1	R12968397	2	. U-Joint Assembly				
2	R13802020	4	. . Cap screw				

4a25.dwg

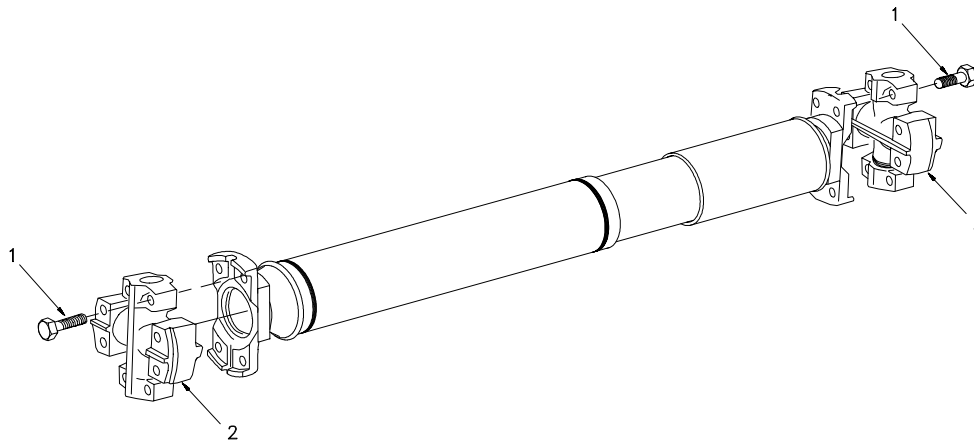


### Driveline - Transmission to Pillow Block

Item	Part No.	Qty	Description	Item	Part No.	Qty	Description
	<b>R12575622</b>		<b>Driveline - Trans. to Pillow Block</b>				
1	R1992656	2	. U-Joint Assembly	6	*a -----	1	. . Seal
2	R13806346	8	. . Capscrew	7	R11628	1	. . Grease Fitting
3	R12973189	1	. Yoke Assembly	8	R12973190	1	. Propshaft
4	*a -----	2	. . Washer				
5	*a -----	1	. . Retainer				*a Service Kit P/N R12969570

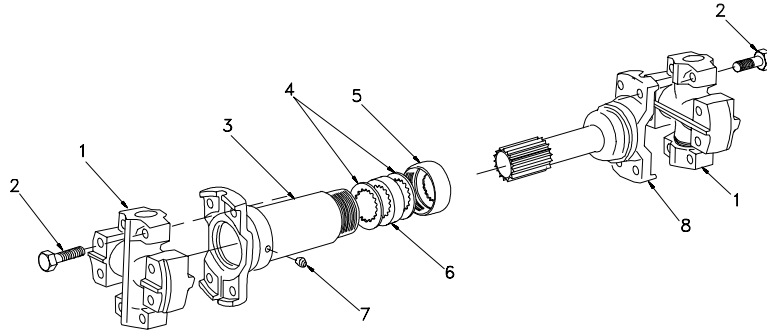
First used on Unit S/N 1616

4b22.dwg



### Driveline - Transmission to Pillow Block

Item	Part No.	Qty	Description	Item	Part No.	Qty	Description
	<b>R15659</b>		<b>Driveline</b>				
1	R12968397	2	. U-Joint Assembly				
2	R13802020	4	. . Capscrew				

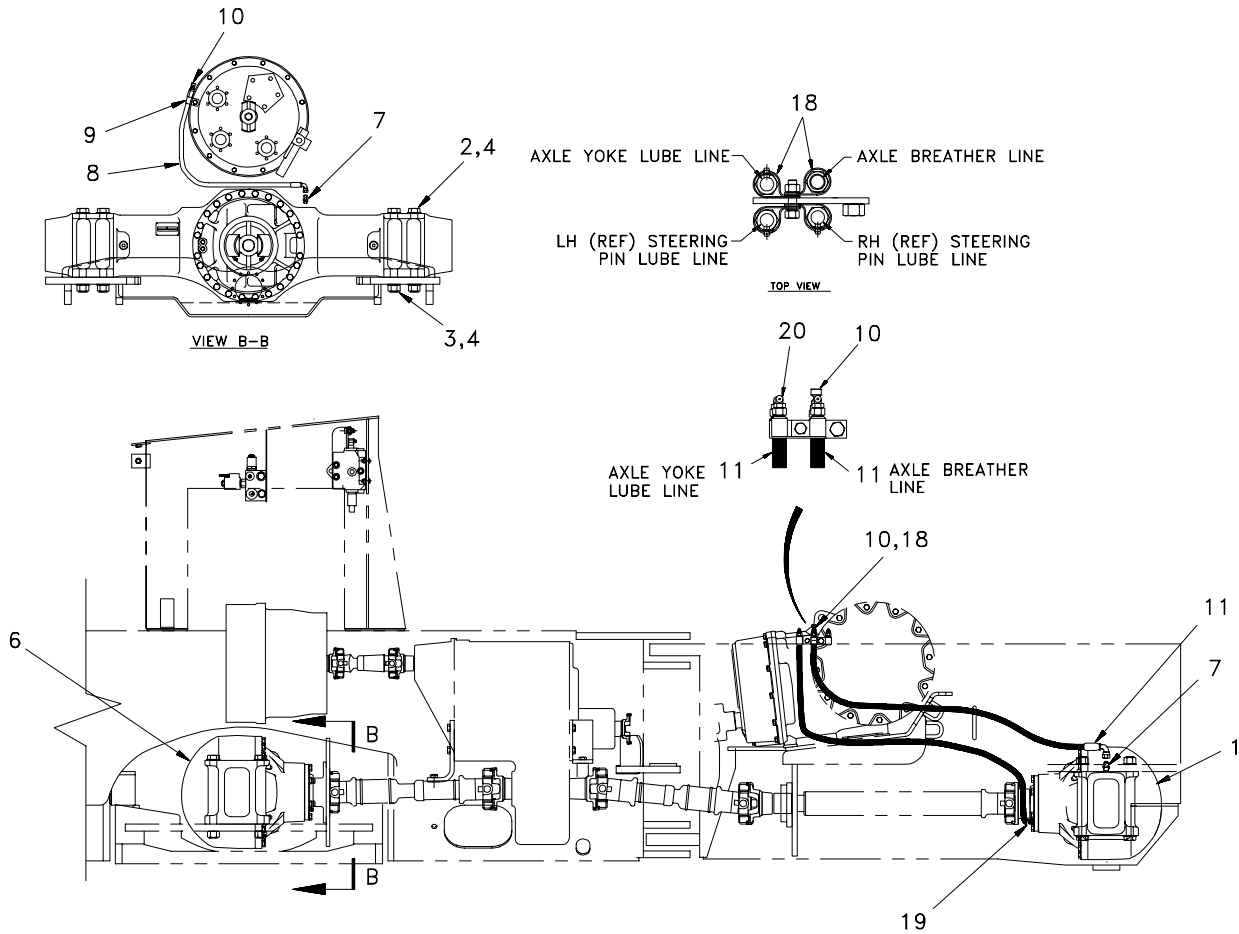


4a26.dwg

### Driveline - Transmission to Winch

Item	Part No.	Qty	Description	Item	Part No.	Qty	Description
	<b>R1937747</b>		<b>Driveline - Trans. to Winch</b>				
1	R12968393	2	. Spider Assembly	5	R12000374	1	. . Retainer
2	R13802020	16	. . Capscrew	6	R942751	1	. . Seal
3	R1992564	1	. Yoke Assembly	7	R13801340	1	. . Grease Fitting
4	R1992038	2	. . Washer	8	R1992567	1	. Propshaft

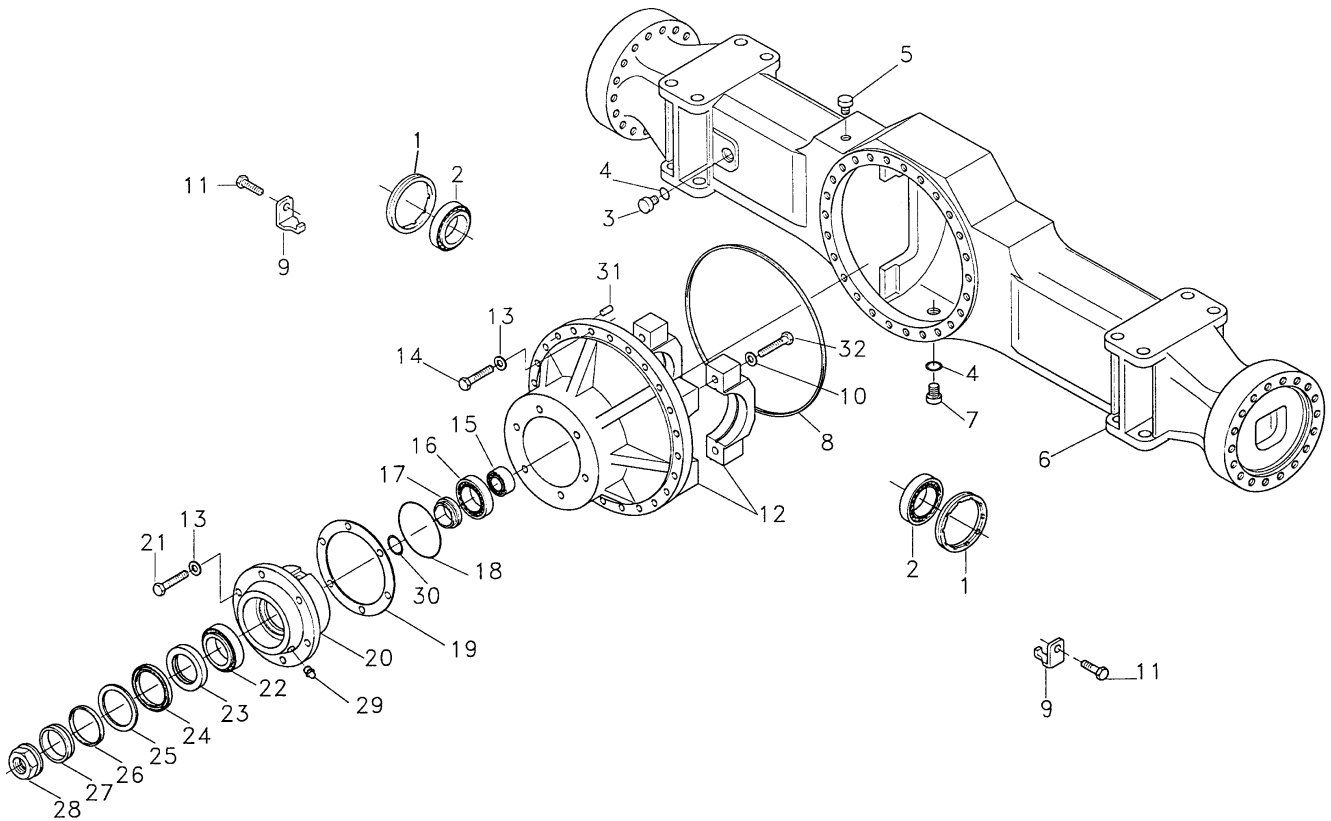
Intentionally Blank



H664a24.dwg

### Axle Installation

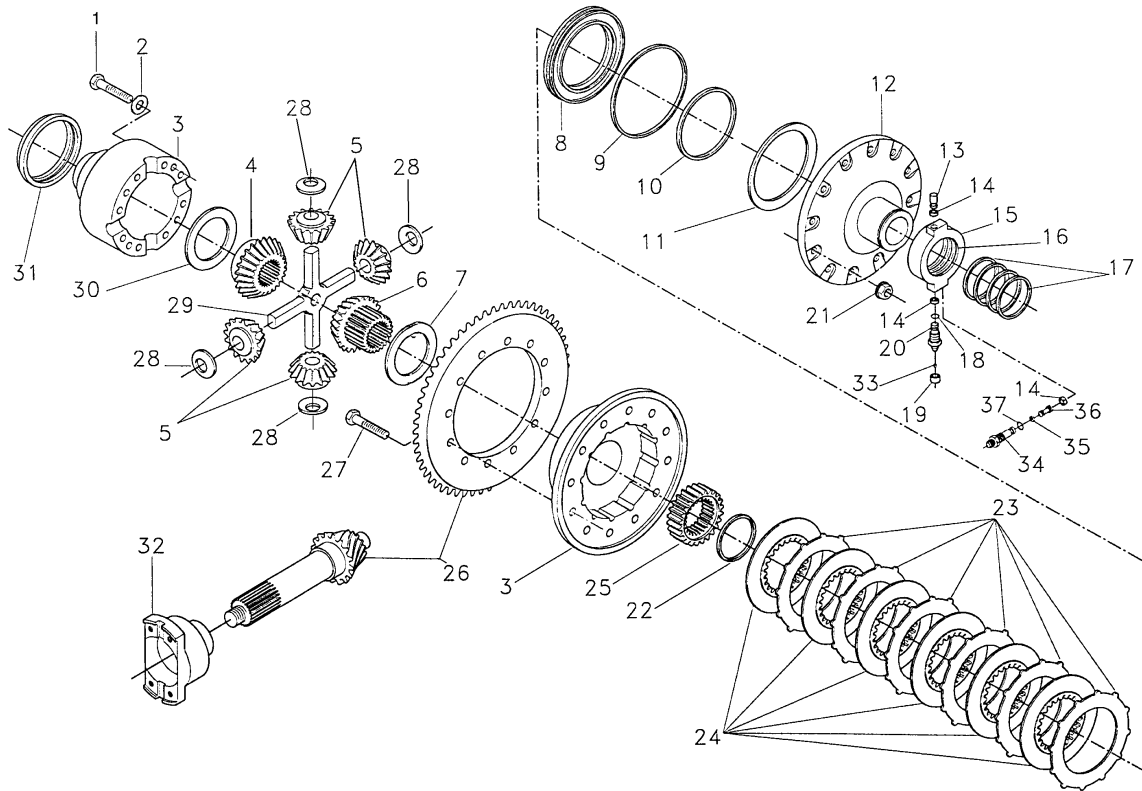
Item	Part No.	Qty	Description	Item	Part No.	Qty	Description
1	* R14151	1	Axle, Rear (4-3.10)	8	R12035	1	Hose Assembly
2	R13812882	16	Capscrew	9	R13803040	1	Clip
3	R13803587	16	Nut	10	R106656	2	Breather
4	R13802920	16	Washer	11	R12034	1	Hose Assembly
6	* R14149	1	Front Axle, No Spin (4-3.6)	18	R13803042	8	Clip
	* R14151	1	Front Axle, Differential Lock(4-3.2)	19	R15427	1	Fitting
7	R1380831	1	Fitting	20	R13801533	1	Lube Fitting



R14149-1.pcx

### Front Differential Lock Axle Assembly

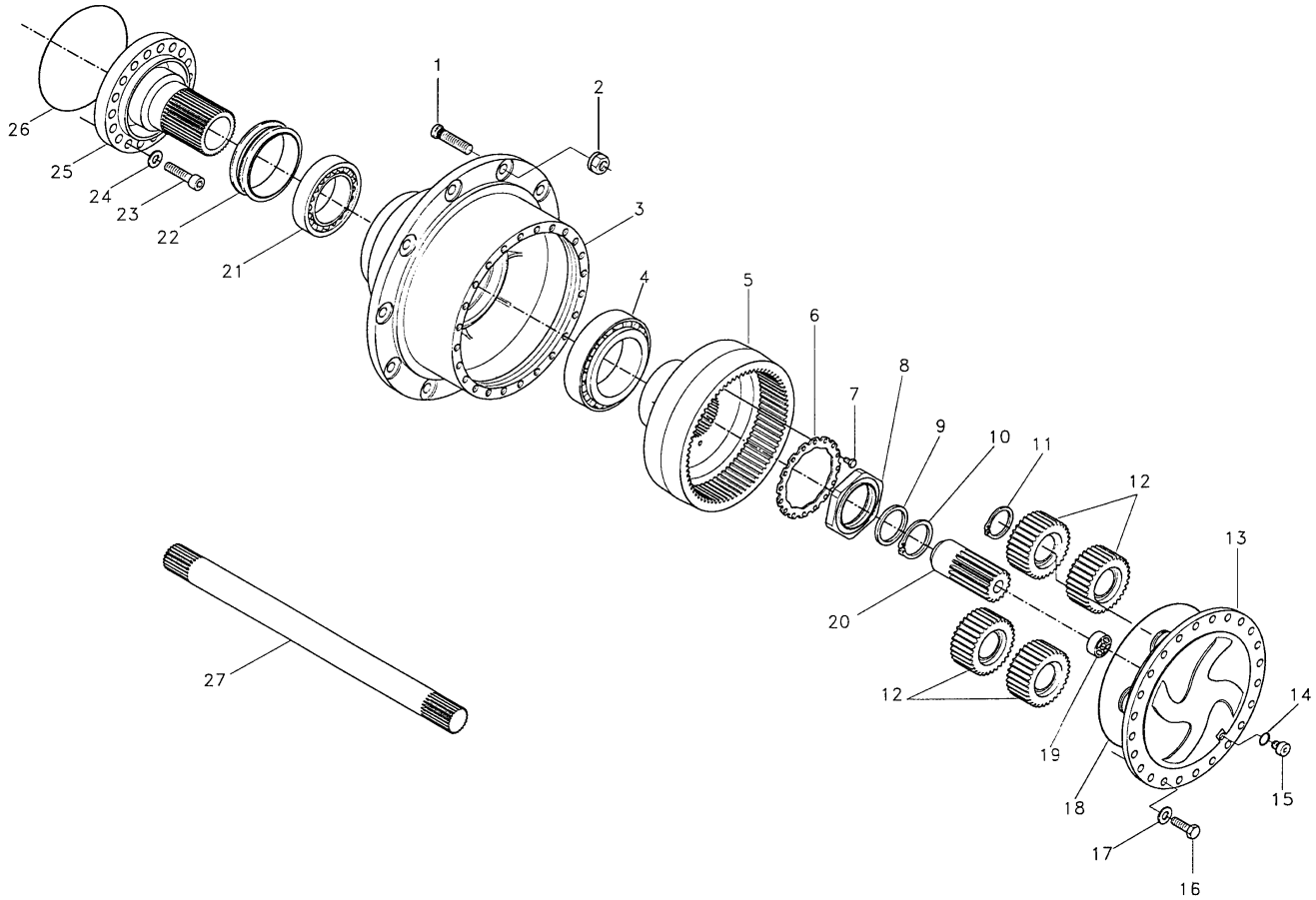
Item	Part No.	Qty	Description	Item	Part No.	Qty	Description
	<b>R14149</b>		<b>Differential Lock Axle Assy.</b>				
1	R15272	2	. Ring Nut		R15292	A/R	. Shim
2	R15273	2	. Bearing		R15293	A/R	. Shim
3	R15274	1	. Plug	20	R15294	1	. Cover
4	R15275	2	. O-Ring	21	R15295	6	. Bolt
5	R15276	1	. Bolt	22	R15296	1	. Bearing
6	R15277	1	. Housing	23	R15297	1	. Seal
7	R15278	1	. Plug	24	R15298	1	. Seal
8	R15279	1	. Seal	25	R15299	1	. Washer
9	R15280	2	. Locking Plate	26	R15300	1	. Seal
10	R15281	4	. Washer	27	R15301	1	. Bushing
11	R15282	2	. Bolt	28	R15302	1	. Nut
12	R15283	1	. Differential Carrier	29	R15303	2	. Fitting
13	R15284	24	. Spring Washer	30	R15304	A/R	. Shim
14	R15285	24	. Bolt		R15305	A/R	. Shim
15	R15286	1	. Bearing		R15306	A/R	. Shim
16	R15287	1	. Bearing		R15307	A/R	. Shim
17	R15288	1	. Spacer		R15308	A/R	. Shim
18	R15289	1	. O-Ring		R15309	A/R	. Shim
19	R15290	A/R	. Shim	31	R15310	1	. Dowel
	R15291	A/R	. Shim	32	R15311	4	. Bolt



R14149-2.pcx

### Front Differential Lock Axle Differential

Item	Part No.	Qty	Description	Item	Part No.	Qty	Description
	<b>R14149</b>		<b>Front Axle Assy. (continued)</b>				
1	R15312	16	. Bolt	21	R15332	12	. Nut
2	R15313	16	. Washer	22	R15333	1	. Circlip
3	R15314	1	. Differential Case	23	R15334	6	. Disc
4	R15315	1	. Side Gear	24	R15335	6	. Disc
5	R15316	4	. Pinion Gear	25	R15336	1	. Selector
6	R15317	1	. Side Gear	26	R15337	1	. Bevel Gear Set
7	R15318	1	. Washer	27	R15338	12	. Bolt
8	R15319	1	. Piston	28	R15339	4	. Friction Washer
9	R15320	1	. Seal	29	R15340	1	. Spider
10	R15321	1	. Seal	30	R15341	1	. Friction Washer
11	R15322	1	. Spring	31	R15342	1	. Dust Shield
12	R15323	1	. Cover	32	* - - - - -	1	. Flange
13	R15324	1	. Piston	33	R15344	1	. Filter
14	R15325	3	. Seal	34	R15345	1	. Adaptor
15	R15326	1	. Ring	35	R15346	1	. Ring
16	R15327	7	. Bolt	36	R15347	1	. Adaptor
17	R15328	4	. Seal	37	R15348	1	. O-Ring
18	R15329	1	. O-Ring				
19	R15330	2	. Plug				* See Section 5-1 - Brake System
20	R15331	1	. Adaptor				



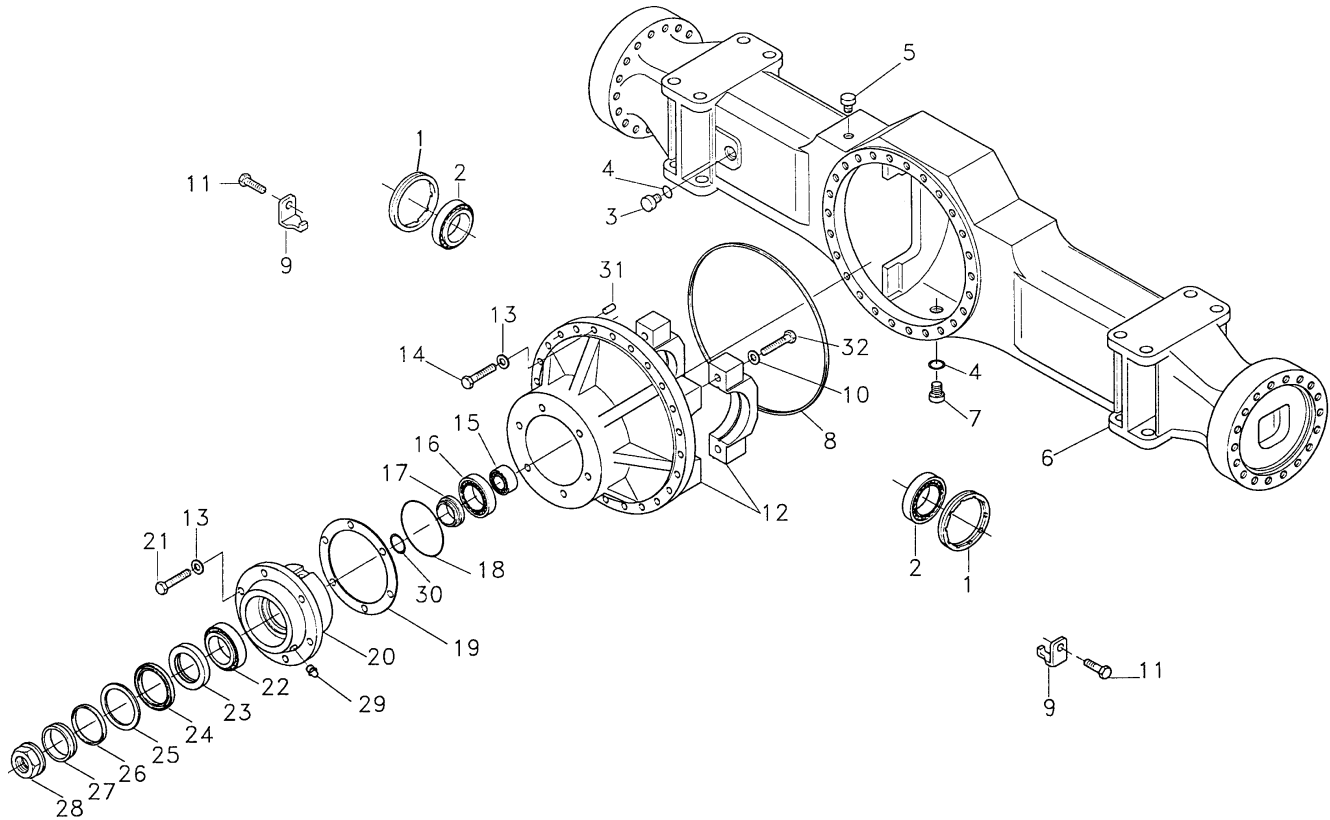
R14149-3.pcx

### Front Differential Lock Axle Planetary Assembly

Item	Part No.	Qty	Description	Item	Part No.	Qty	Description
	<b>R14149</b>		<b>Front Axle Assy. (continued)</b>				
1	R15349	20	. Stud	15	R15274	2	. Plug
2	* -----	20	. Nut (4-4.1)	16	R15364	48	. Bolt
3	R15351	2	. Hub	17	R15365	48	. Washer
4	R15352	2	. Cup, Bearing	18	R15366	2	. O-Ring
	R15353	2	. Cone, Bearing	19	R15367	2	. Washer
5	R15354	2	. Ring Gear	20	R15368	2	. Pinion
6	R15355	2	. Locking Plate	21	R15369	2	. Cup, Bearing
7	R15356	8	. Bolt		R15370	2	. Cone, Bearing
8	R15357	2	. Nut	22	R15371	2	. Seal
9	R15358	2	. Washer	23	R15372	36	. Bolt
10	R15359	2	. Ring	24	R15373	36	. Washer
11	R15360	8	. Ring	25	R15374	2	. Spindle
12	R15361	8	. Planet Gear	26	R15375	2	. Seal
13	R15362	2	. Planet Carrier	27	R15376	2	. Axle Shaft
14	R15275	2	. O-Ring				



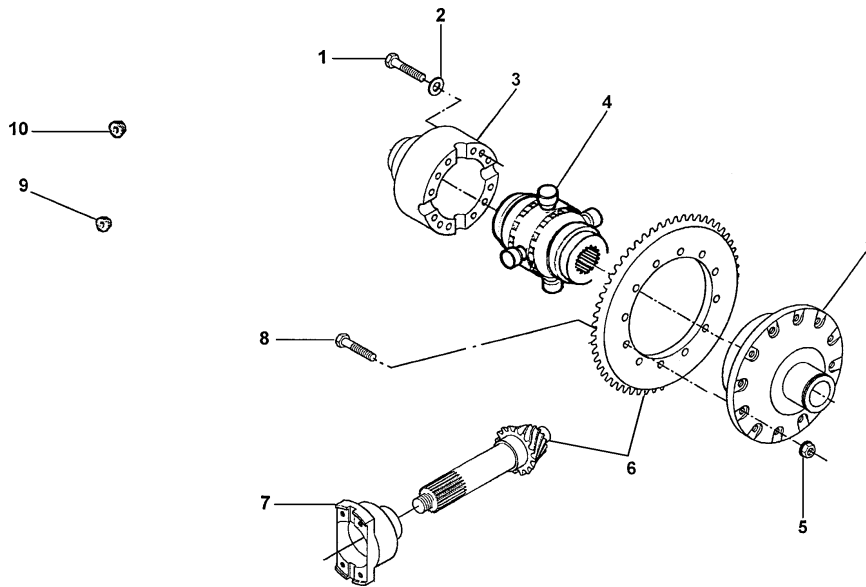
Intentionally Blank



R14149-1.pcx

### Front No Spin Axle Assembly

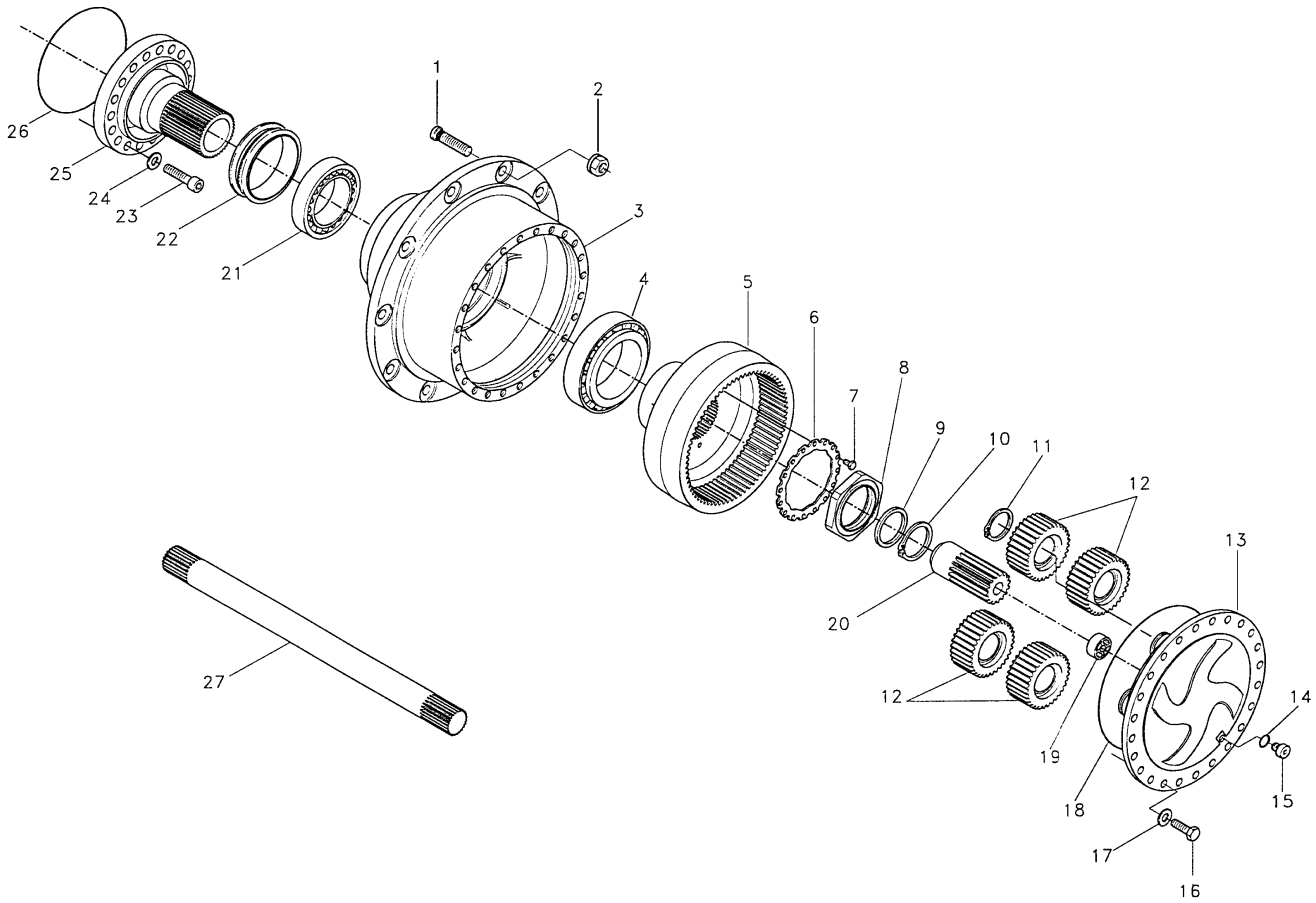
Item	Part No.	Qty	Description	Item	Part No.	Qty	Description
	<b>R14150</b>		<b>Front No Spin Axle Assembly</b>				
1	R15272	2	. Ring Nut	20	R15294	1	. Cover
2	R15273	2	. Bearing	21	R15295	6	. Bolt
3	R15274	1	. Plug	22	R15296	1	. Bearing
4	R15275	2	. O-Ring	23	R15297	1	. Seal
5	R15276	1	. Bolt	24	R15298	1	. Seal
6	R15277	1	. Housing	25	R15299	1	. Washer
7	R15278	1	. Plug	26	R15300	1	. Seal
8	R15279	1	. Seal	27	R15301	1	. Bushing
9	R15280	2	. Locking Plate	28	R15302	1	. Nut
10	R15281	4	. Washer	29	R15303	2	. Fitting
11	R15282	2	. Bolt	30	R15304	A/R	. Shim, .10mm
12	R15283	1	. Differential Carrier		R15305	A/R	. Shim, .15mm
13	R15284	24	. Spring Washer		R15306	A/R	. Shim, .20mm
14	R15285	24	. Bolt		R15307	A/R	. Shim, .30mm
15	R15286	1	. Bearing		R15308	A/R	. Shim, .40mm
16	R15287	1	. Bearing		R15309	A/R	. Shim, .50mm
17	R15288	1	. Spacer	31	R15310	1	. Dowel
18	R15289	1	. O-Ring	32	R15311	4	. Bolt
19	R15290	A/R	. Shim, .10mm				
	R15291	A/R	. Shim, .15mm				
	R15292	A/R	. Shim, .25mm				
	R15293	A/R	. Shim, .50mm				



R14150.pcx

### Front No Spin Axle Differential

Item	Part No.	Qty	Description	Item	Part No.	Qty	Description
	<b>R14150</b>		<b>Front Axle Assembly (cont.)</b>				
1	R15377	8	. Bolt	7	* -----	1	. Flange
2	R15378	8	. Washer	8	R15381	12	. Bolt
3	R15379	1	. Differential Case	9	R15382	1	. Bolt
4	R15363	1	. No-Spin	10	R15276	1	. Bolt
5	R15332	12	. Nut				
6	R15337	1	. Bevel Gear Set				* See Section 5-1 - Brake System

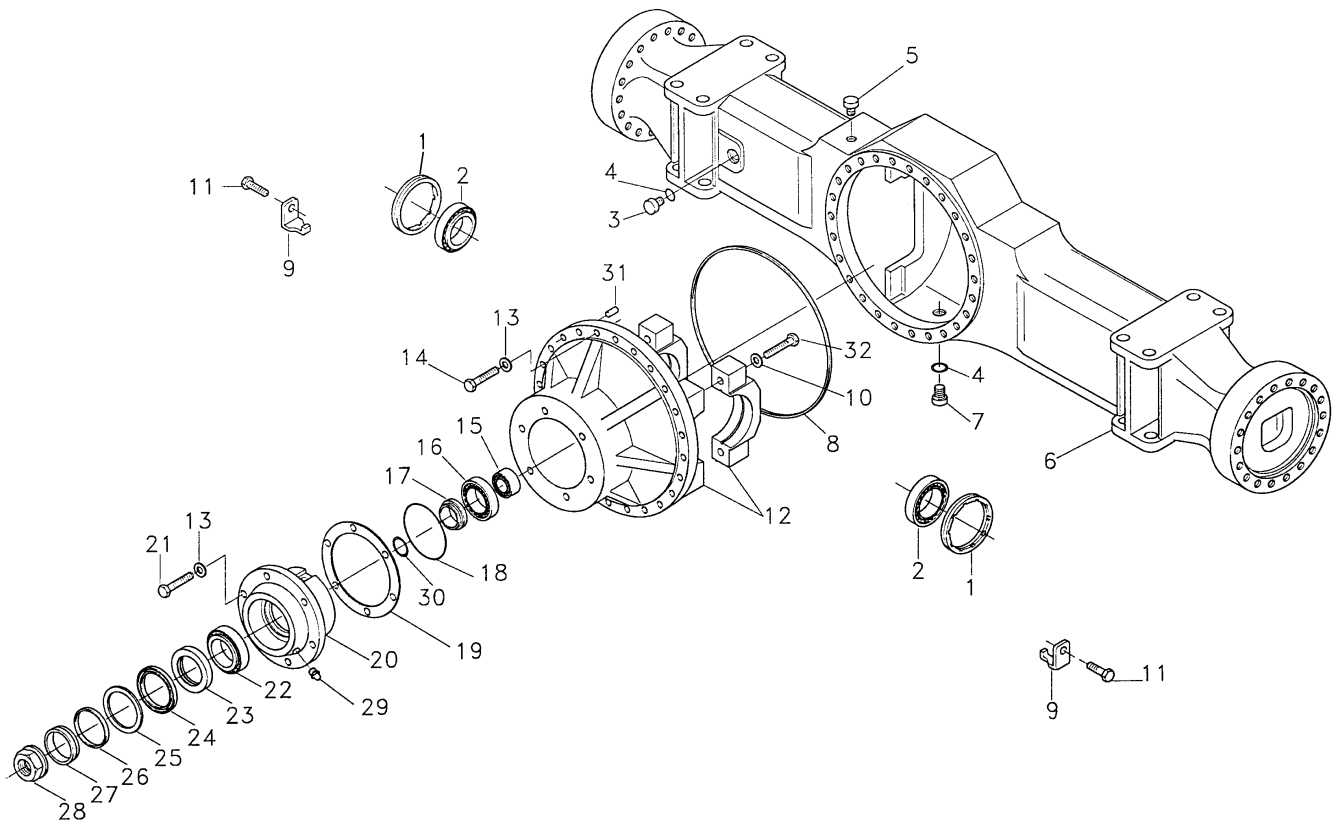


R14149-3.pcx

### No Spin Inboard Planetary Drive

Item	Part No.	Qty	Description	Item	Part No.	Qty	Description
	<b>R14150</b>		<b>Front Axle Assembly (cont.)</b>				
1	R15349	20	. Stud	14	R15275	2	. O-Ring
2	* -----	20	. Nut (4-4.1)	15	R15274	2	. Plug
3	R15351	2	. Hub	16	R15364	48	. Bolt
4	R15352	2	. Cup, Bearing	17	R15365	48	. Washer
	R15353	2	. Cone, Bearing	18	R15366	2	. O-Ring
5	R15354	2	. Ring Gear	19	R15367	2	. Washer
6	R15355	2	. Locking Plate	20	R15368	2	. Pinion
7	R15356	8	. Bolt	21	R15369	2	. Cup, Bearing
8	R15357	2	. Nut		R15370	2	. Cone, Bearing
9	R15358	2	. Washer	22	R15371	2	. Seal
10	R15359	2	. Ring	23	R15372	36	. Bolt
11	R15360	8	. Ring	24	R15373	36	. Washer
12	R15361	8	. Planet Gear	25	R15374	2	. Spindle
13	R15362	2	. Planet Carrier	26	R15375	2	. Seal
				27	R15376	2	. Axle Shaft

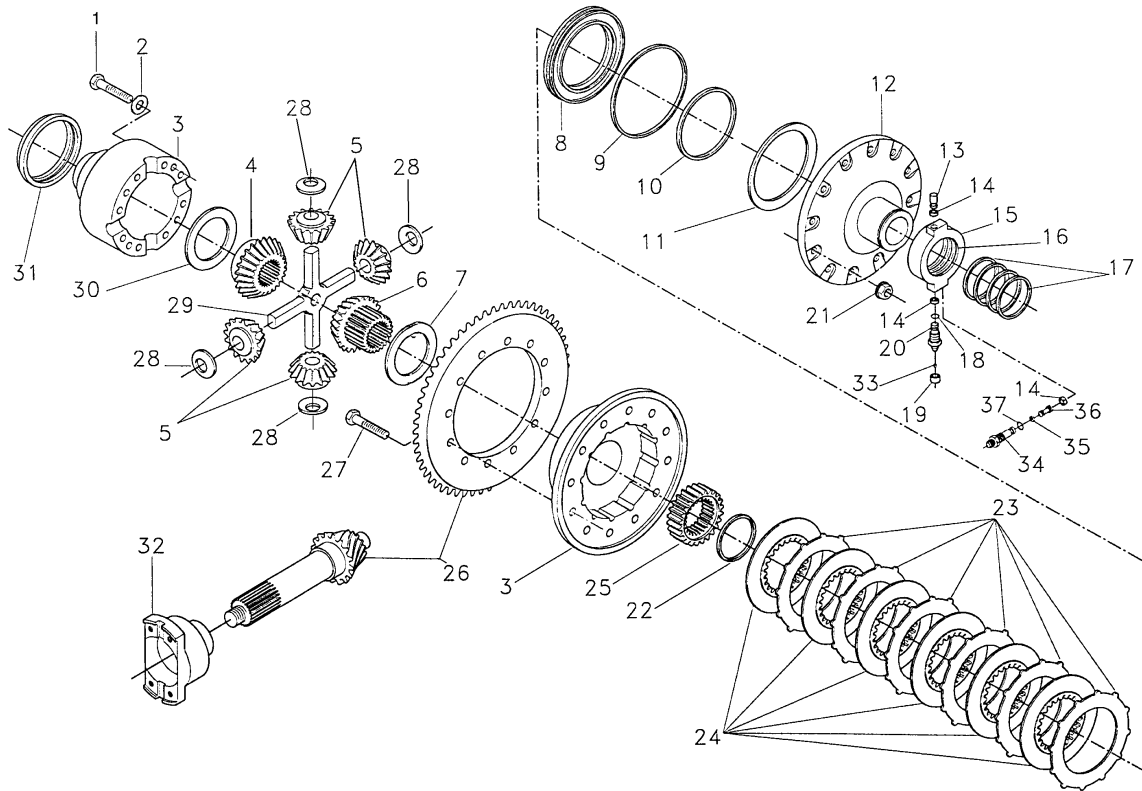
Intentionally Blank



R14149-1.pcx

### Rear Axle Assembly

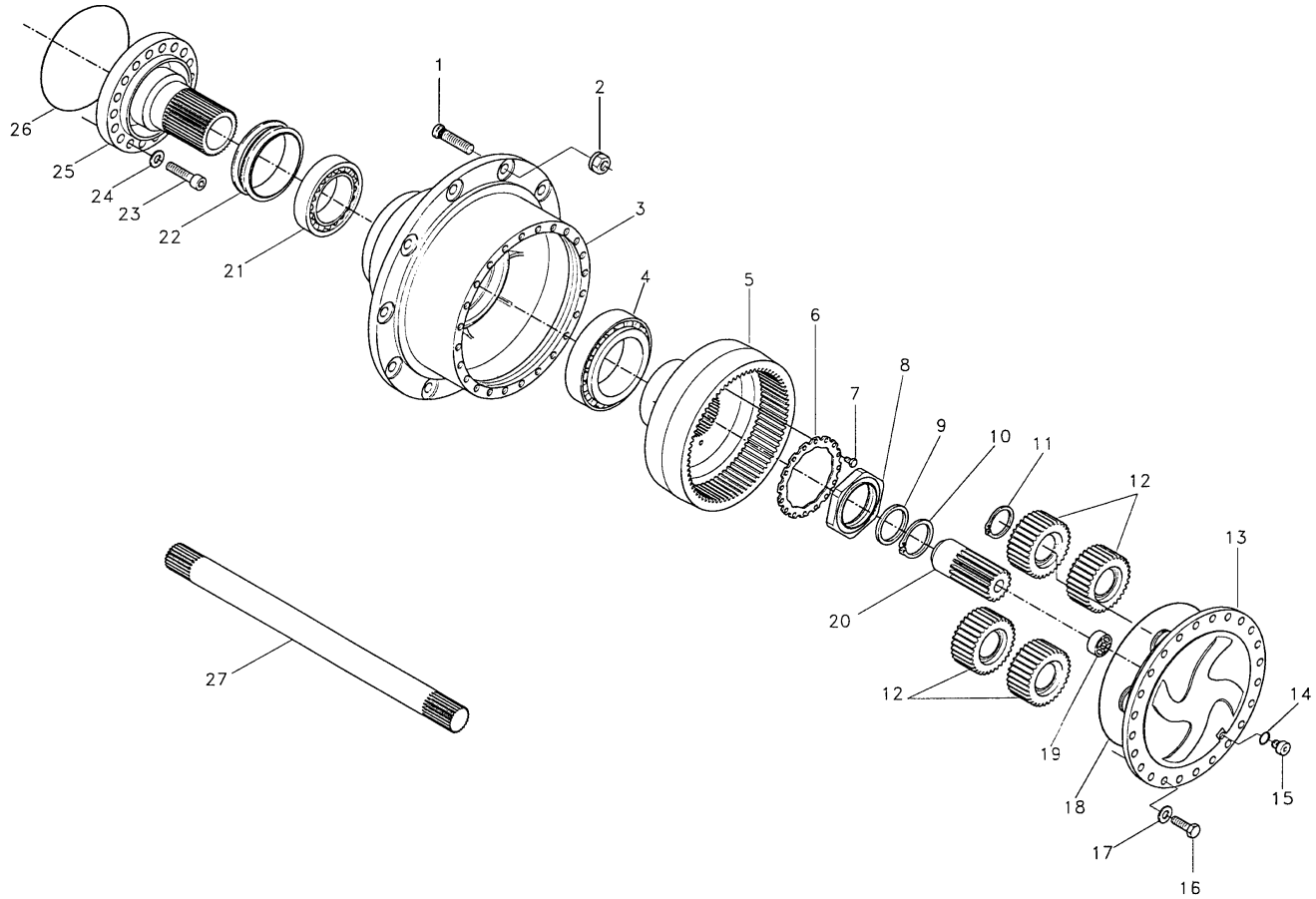
Item	Part No.	Qty	Description	Item	Part No.	Qty	Description
	<b>R14151</b>		<b>Rear Axle Assembly</b>				
1	R15272	2	. Ring Nut		R15292	A/R	. Shim
2	R15273	2	. Bearing		R15293	A/R	. Shim
3	R15274	1	. Plug	20	R15294	1	. Cover
4	R15275	2	. O-Ring	21	R15295	6	. Bolt
5	R15276	1	. Bolt	22	R15296	1	. Bearing
6	R15277	1	. Housing	23	R15297	1	. Seal
7	R15278	1	. Plug	24	R15298	1	. Seal
8	R15279	1	. Seal	25	R15299	1	. Washer
9	R15280	2	. Locking Plate	26	R15300	1	. Seal
10	R15281	4	. Washer	27	R15301	1	. Bushing
11	R15282	2	. Bolt	28	R15302	1	. Nut
12	R15283	1	. Differential Carrier	29	R15303	2	. Fitting
13	R15284	24	. Spring Washer	30	R15304	A/R	. Shim
14	R15285	24	. Bolt		R15305	A/R	. Shim
15	R15286	1	. Bearing		R15306	A/R	. Shim
16	R15287	1	. Bearing		R15307	A/R	. Shim
17	R15288	1	. Spacer		R15308	A/R	. Shim
18	R15289	1	. O-Ring		R15309	A/R	. Shim
19	R15290	A/R	. Shim	31	R15310	1	. Dowel
	R15291	A/R	. Shim	32	R15311	4	. Bolt



R14149-2.pcx

### Rear Axle Differential

Item	Part No.	Qty	Description	Item	Part No.	Qty	Description
<b>R14151 Rear Axle Assembly (continued)</b>							
1	R15312	16	. Bolt	19	R15330	2	. Plug
2	R15313	16	. Washer	20	R15331	1	. Adaptor
3	R15314	1	. Differential Case	21	R15332	12	. Nut
4	R15315	1	. Side Gear	22	R15333	1	. Circlip
5	R15316	4	. Pinion Gear	23	R15334	6	. Disc
6	R15317	1	. Side Gear	24	R15335	6	. Disc
7	R15318	1	. Washer	25	R15336	1	. Selector
8	R15319	1	. Piston	26	R15393	1	. Bevel Gear Set
9	R15320	1	. Seal	27	R15338	12	. Bolt
10	R15321	1	. Seal	28	R15339	4	. Friction Washer
11	R15322	1	. Spring	29	R15340	1	. Spider
12	R15323	1	. Cover	30	R15341	1	. Friction Washer
13	R15324	1	. Piston	31	R15342	1	. Dust Shield
14	R15325	3	. Seal	32	R15343	1	. Flange
15	R15326	1	. Ring	33	R15344	1	. Filter
16	R15327	7	. Bolt	34	R15345	1	. Adaptor
17	R15328	4	. Seal	35	R15346	1	. Ring
18	R15329	1	. O-Ring	36	R15347	1	. Adaptor
				37	R15348	1	. O-Ring



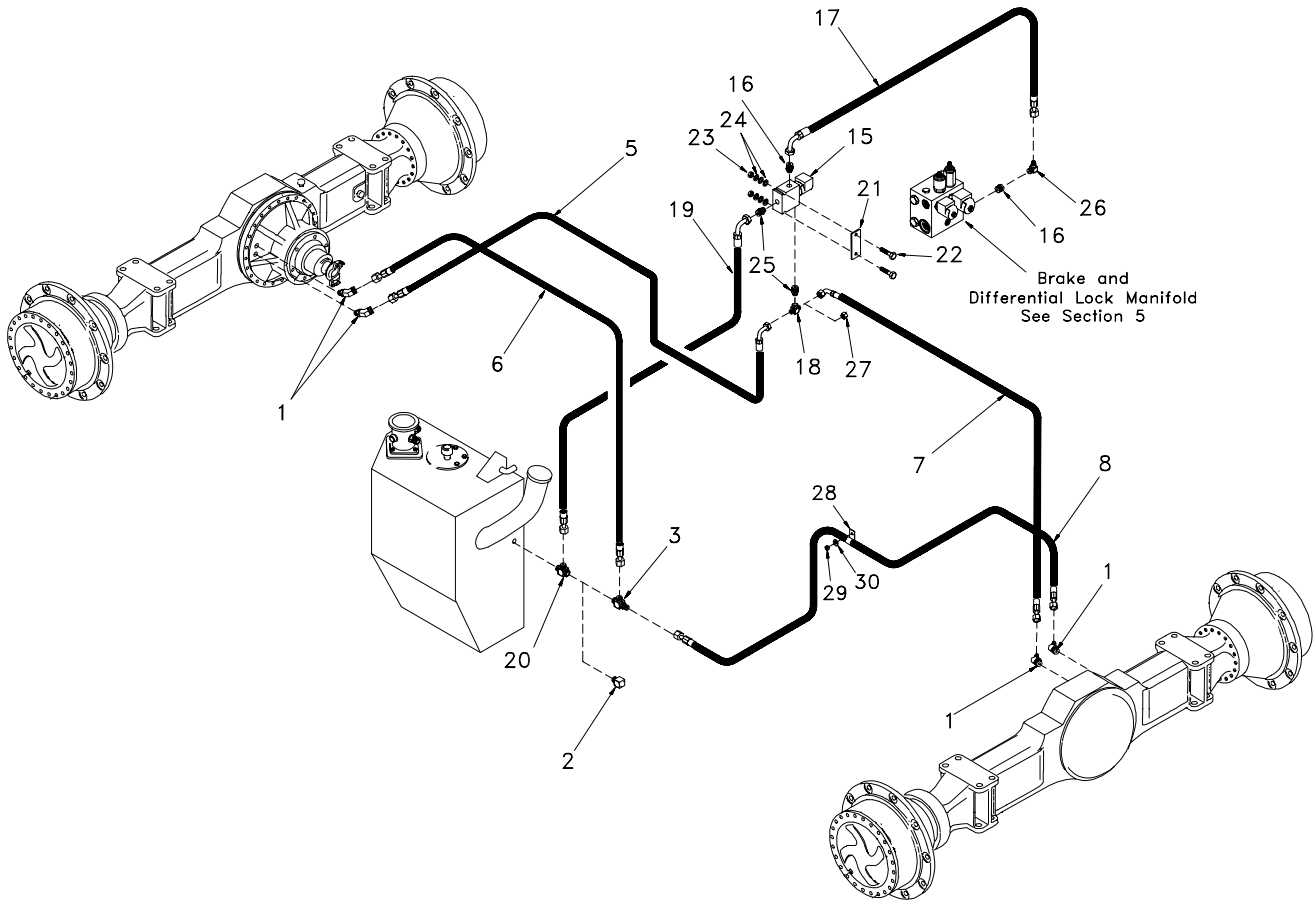
R14149-3.pcx

### Rear Planetary Assembly

Item	Part No.	Qty	Description	Item	Part No.	Qty	Description
<b>R14151 Rear Axle Assembly (continued)</b>							
1	R15349	20	. Stud	15	R15274	2	. Plug
2	* -----	20	. Nut (4-4.1)	16	R15364	48	. Bolt
3	R15351	2	. Hub	17	R15365	48	. Washer
4	R15352	2	. Cup, Bearing	18	R15366	2	. O-Ring
	R15353	2	. Cone, Bearing	19	R15367	2	. Washer
5	R15354	2	. Ring Gear	20	R15368	2	. Pinion
6	R15355	2	. Locking Plate	21	R15369	2	. Cup, Bearing
7	R15356	8	. Bolt		R15370	2	. Cone, Bearing
8	R15357	2	. Nut	22	R15371	2	. Seal
9	R15358	2	. Washer	23	R15372	36	. Bolt
10	R15359	2	. Ring	24	R15373	36	. Washer
11	R15360	8	. Ring	25	R15374	2	. Spindle
12	R15361	8	. Planet Gear	26	R15375	2	. Seal
13	R15362	2	. Planet Carrier	27	R15376	2	. Axle Shaft
14	R15275	2	. O-Ring				



Intentionally Blank

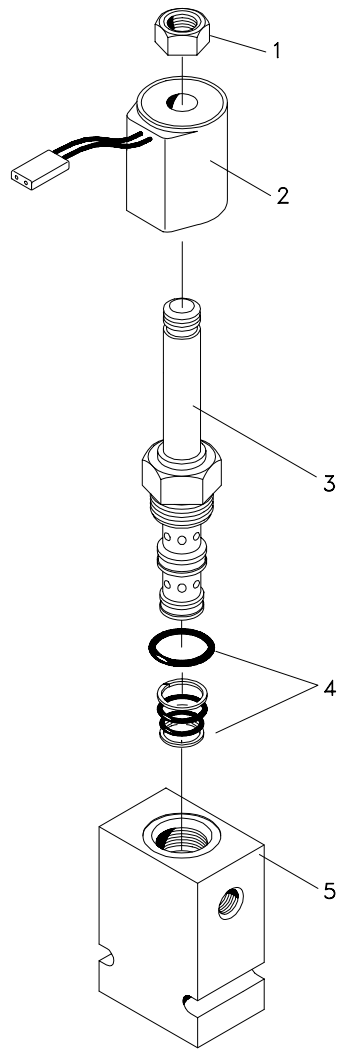


H664a41.dwg

### Axle Differential Lock System

Item	Part No.	Qty	Description	Item	Part No.	Qty	Description
1	217206	4	Fitting	21	R15657	1	Plate
2	R13803211	1	Plug	22	R13810998	2	Capscrew
3	*a R13801593	1	Fitting	23	R13807439	2	Nut
5	R12059	1	Hose Assembly	24	R13811443	6	Washer
6	R12058	1	Hose Assembly	25	211550	2	Fitting
7	*a R12060	1	Hose Assembly	26	211561	1	Fitting
8	*a R12061	1	Hose Assembly	27	215515	1	Fitting
15	* R15653	1	Solenoid Valve (4-3.15)	28	209696	1	Clamp
16	211560	2	Fitting	29	232146	1	Nut
17	R15655	1	Hose Assembly	30	223427	1	Washer
18	211367	1	Fitting				
19	R14257	1	Hose Assembly				
20	214316	1	Fitting				

\*a Used only with Optional Front Axle Differential Lock - Omit Item 2 & 27

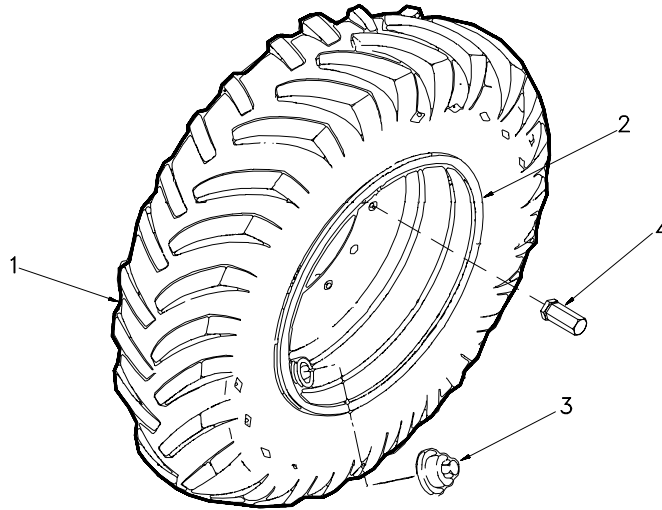


H664a40.dwg

### Differential Lock Solenoid Valve

Item	Part No.	Qty	Description	Item	Part No.	Qty	Description
	<b>R15653</b>		<b>Differential Lock Solenoid Valve</b>				
1	NSS	1	. Nut	4	R15669	1	. Seal Kit
2	R15669	1	. Coil	5	NSS	1	. Body
3	NSS	1	. Cartridge				

Intentionally Blank



H664a42.dwg

### Tire and Rim Assembly

Item	Part No.	Qty	Description	Item	Part No.	Qty	Description
1	<b>Tire Size - 23.1" x 26" (10 ply)</b>			1	<b>Tire Size - 30.5" x32" (16 ply)</b>		
2	R14737	1	Rim	2	R13442	1	Rim
1	<b>Tire Size - 24.5" x 32" (16 ply)</b>			1	<b>Tire Size - 67" x 34" x 26" (14 ply)</b>		
2	R14720	1	Rim	2	R14740	1	Rim
1	<b>Tire Size - 28.1" x26" (12 ply)</b>			3	R13802338	1	Cap
2	R14719	1	Rim	4	R13467	10	Wheel Nut

Intentionally Blank

## Section 5

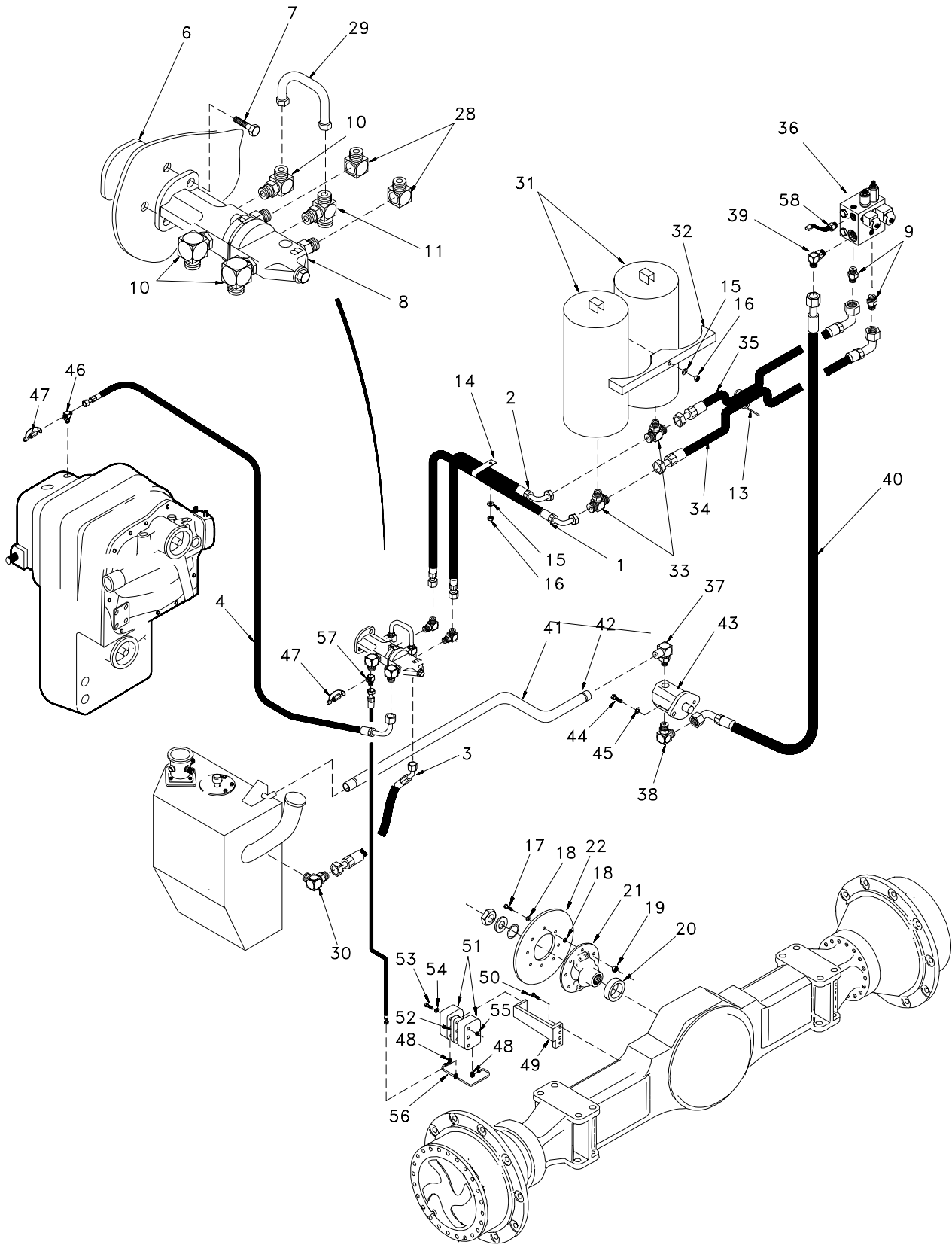
### Brake System

<b>Page No.</b>	<b>Description</b>
<b>5-1</b>	<b>Systems</b>
5-1.1	Brake Hydraulics
<b>5-2</b>	<b>Control Components</b>
5-2.1	Brake Valve
5-2.2	Brake Pedal Installation
5-2.3	Parking Brake Control
5-2.4	Brake and Differential Lock Manifold
5-2.5	Accumulator
<b>5-3</b>	<b>Miscellaneous</b>

Intentionally Blank



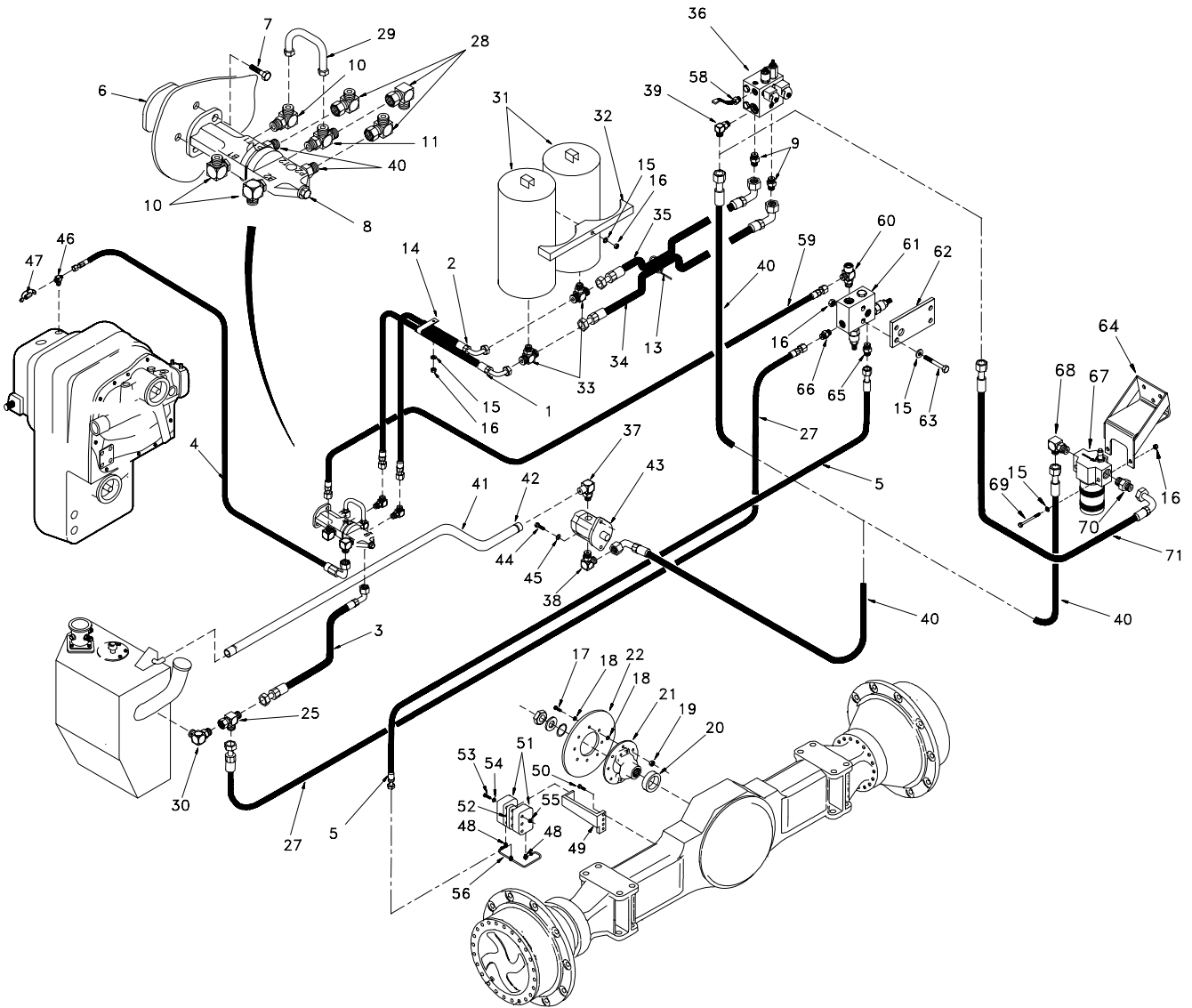
Intentionally Blank



H665a01.dwg

## Brake Hydraulics

Item	Part No.	Qty	Description	Item	Part No.	Qty	Description
1	R11446	1	Hose Assembly	33	R13802310	2	Fitting
2	R12123	1	Hose Assembly	34	R14267	1	Hose Assembly
3	R12608	1	Hose Assembly	35	R12117	1	Hose Assembly
4	R12125	1	Hose Assembly	36	* R15592	1	Valve Manifold (5-2.4)
5	R12126	1	Hose Assembly	37	R14417	1	Fitting
6	R13728	1	Plate	38	R13807508	1	Fitting
7	R13806249	3	Capscrew	39	R11401	1	Fitting
8	* R13576	1	Brake Valve (5-2.1)	40	R12229	1	Hose Assembly
9	R13801717	3	Fitting	41	R14382	1	Hose
10	R13801972	3	Fitting	42	R13809929	2	Clamp, T-bolt
11	R13807532	1	Fitting	43	* R14409	1	Hydraulic Pump (9-2.2)
12	R13801717	1	Fitting	44	R13811037	2	Capscrew
13	R1736910	1	Tie Strap	45	R13812514	2	Washer
14	R13810028	1	Clamp	46	R13807532	1	Fitting
15	R13811431	2	Washer	47	236625	1	Coupler, Test
16	R13811191	2	Nut	48	R13801970	2	Fitting
17	R13810860	8	Capscrew	49	R14364	1	Bracket
18	R13811431	16	Washer	50	R13811253	4	Capscrew
19	R13811183	8	Nut	51	R1927821	1	Brake
20	R13531	1	Wear Sleeve	52	R1920497	1	Bar
21	R14426	1	Flange	53	R13811135	2	Capscrew
22	R14425	1	Disc	54	R13811435	2	Washer, Hard
28	R13801460	2	Fitting	55	R13811469	2	Nut, Lock
29	R14311	1	Tube	56	R15404	1	Tube
30	R13807383	1	Fitting	57	R13801593	1	Fitting
31	* R13646	2	Accumulator (5-2.5)	58	R13649	1	Pressure Switch
32	R13718	1	Plate				



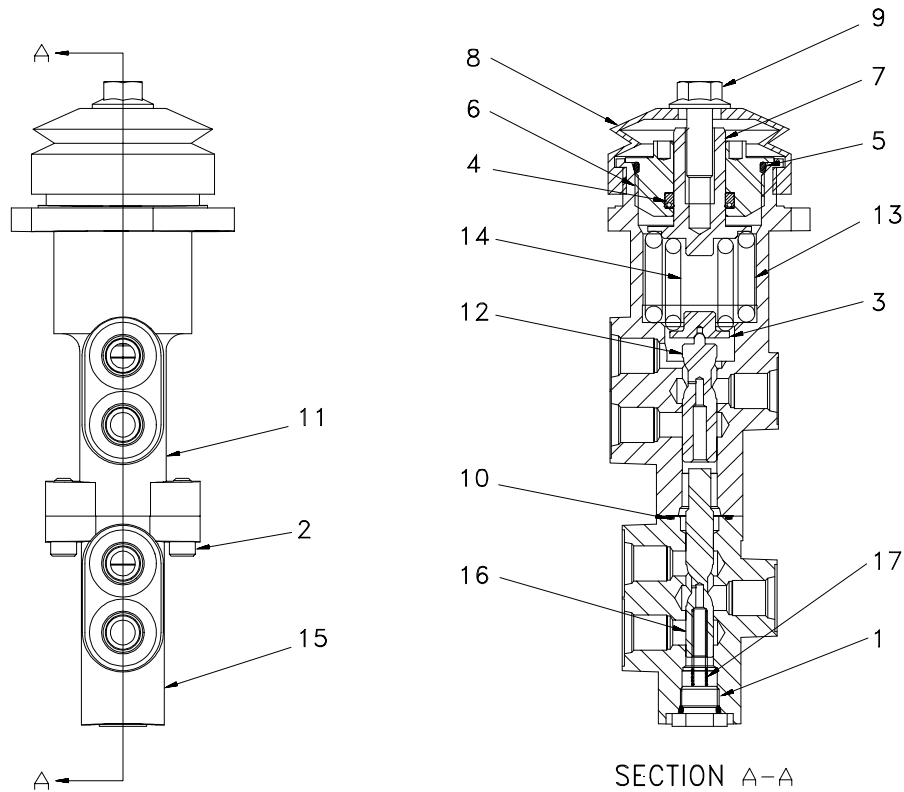
H1665a07.dwg

## Brake Hydraulics

Item	Part No.	Qty	Description	Item	Part No.	Qty	Description
1	R11446	1	Hose Assembly	42	R13809929	2	Clamp
2	R12123	1	Hose Assembly	43	* R14409	1	Hydraulic Pump (9-2.2)
3	R12608	1	Hose Assembly	44	R13811037	2	Capscrew
4	R12125	1	Hose Assembly	45	R13812514	2	Washer
5	R12126	1	Hose Assembly	46	R13807532	1	Fitting
6	R13728	1	Plate	47	236625	1	Coupler, Test
7	R13806249	3	Capscrew	48	R13801970	2	Fitting
8	* R13576	1	Brake Valve (5-2.1)	49	R14364	1	Bracket
9	R13801717	3	Fitting	50	R13811253	4	Capscrew
10	R13801972	3	Fitting	51	* R1927821	1	Brake (5-2.6)
11	R13807532	1	Fitting	52	R1920497	1	Bar
12	R13801717	1	Fitting	53	R13811135	2	Capscrew
13	R1736910	1	Tie Strap	54	R13811435	2	Washer
14	R13810028	1	Clamp	55	R13811469	2	Nut
15	R13811431	6	Washer	56	R15404	1	Tube
16	R13811191	6	Nut	57	R13801593	1	Fitting
17	R13810860	8	Capscrew	58	R13649	1	Pressure Switch
18	R13811431	16	Washer	59	R12138	1	Hose Assembly
19	R13811183	8	Nut	60	223436	1	Fitting
20	R13531	1	Wear Sleeve	61	* 243216	1	Manifold, Brake (5-2.7)
21	R14426	1	Flange	62	R17103	1	Bracket
22	R14425	1	Disc	63	R13811043	2	Capscrew
25	211562	1	Fitting	64	*a R17593	1	Bracket
27	23960	1	Hose Assembly		*a 222600	3	. Capscrew
28	R13801460	2	Fitting		*a R13811431	6	. Washer
29	R14311	1	Tube		*a R13811191	3	. Nut
30	R13807383	1	Fitting	65	211560	1	Fitting
31	* R13646	2	Accumulator (5-2.5)	66	222436	1	Fitting
32	R13718	1	Plate	67	*a 243636	1	Filter
33	R13802310	2	Fitting	68	*a 19990	1	Fitting
34	R14267	1	Hose Assembly	69	*a R13810999	2	Capscrew
35	R12117	1	Hose Assembly	70	*a 209208	1	Fitting
36	* R15592	1	Valve Manifold (5-2.4)	71	*a 243219	1	Hose Assembly
37	R14417	1	Fitting				
38	R13807508	1	Fitting				
39	R11401	1	Fitting				
40	R12229	1	Hose Assembly				
41	R14382	1	Hose				

\*a Included in Optional High Pressure Filter Service Kit P/N R17592

Intentionally Blank

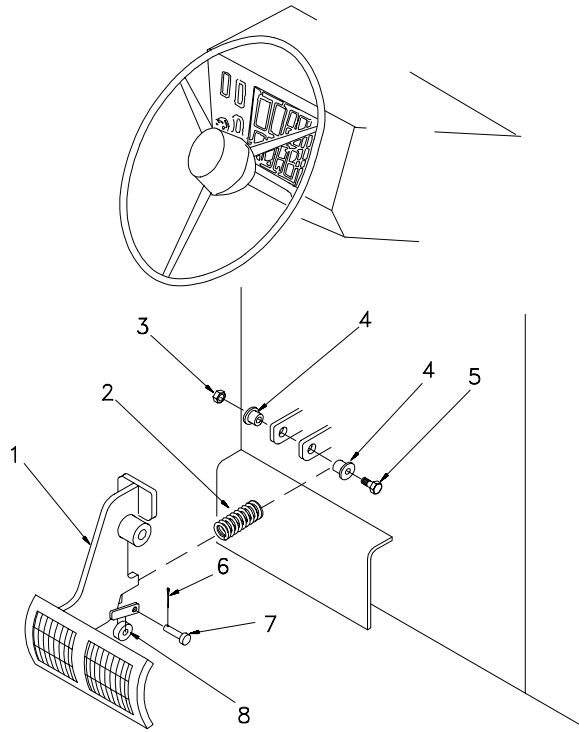


h665a02.dwg

### Brake Valve

Item	Part No.	Qty	Description	Item	Part No.	Qty	Description
	<b>R13576</b>		<b>Brake Valve</b>				
1	R15017	1	. Plug	11	NSS	1	. Body
2	R15018	2	. Capscrew	12	NSS	1	. Spool
3	R15019	1	. Seat	13	R15023	1	. Spring, Return
4	*a -----	1	. Seal	14	R15024	1	. Spring
5	*a -----	1	. O-Ring	15	NSS	1	. Body
6	R15020	1	. Guide, Piston	16	NSS	1	. Spool
7	R15021	1	. Piston	17	R15025	1	. Spring, Return
8	*a -----	1	. Boot				
9	R15022	1	. Capscrew				
10	*a -----	1	. O-Ring				

\*a Repair Kit P/N R15026



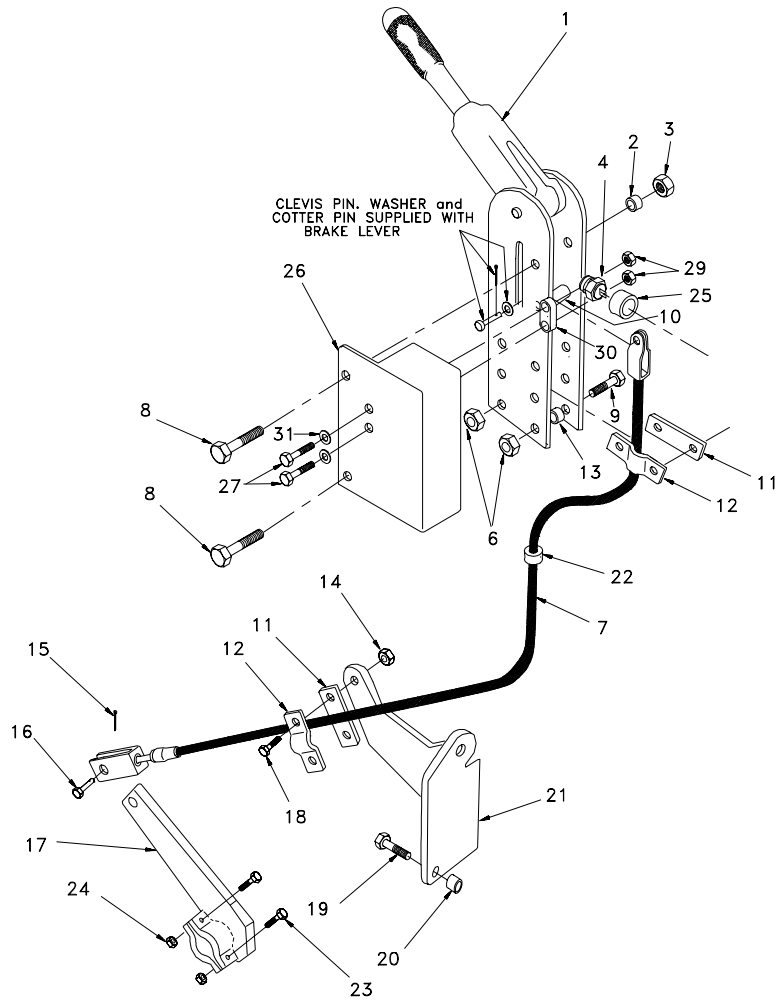
H665a03.dwg

### Brake Pedal Installation

Item	Part No.	Qty	Description	Item	Part No.	Qty	Description
1	R10032	1	Brake Pedal	6	R13800351	1	Pin
2	*a R10780	1	Spring	7	R13809919	1	Pin
3	R13811195	1	Nut	8	R10622	1	Bar
4	R1313117	2	Spacer				
5	R1325693	1	Bolt				

\*a Last used Unit S/N 1615

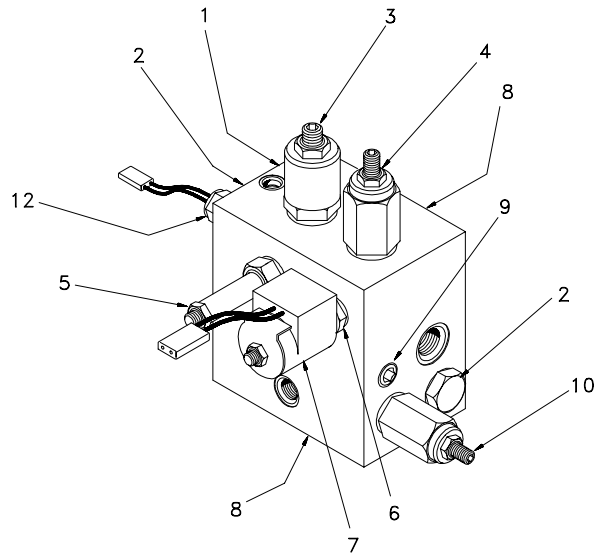




H665a04.dwg

### Parking Brake Control

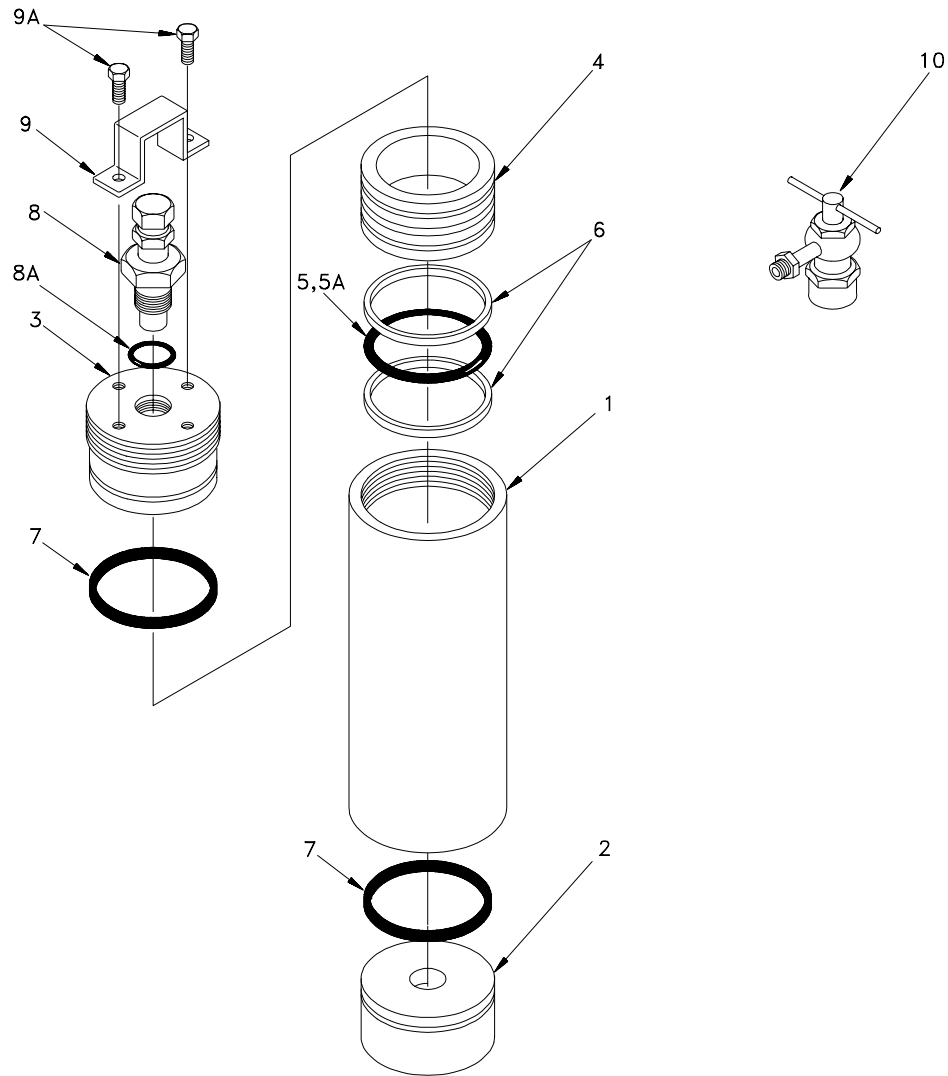
Item	Part No.	Qty	Description	Item	Part No.	Qty	Description
1	R3951954	1	Lever Asm	17	R1930168	1	Lever
2	R552914	2	Spacer	18	R13811015	2	Capscrew
3	R13811191	2	Nut	19	R13811060	2	Capscrew
4	R13796	1	Switch	20	R1301610	2	Pipe
6	R13811190	2	Nut	21	R1935133	1	Bracket
7	R14815	1	Cable	22	R1307115	1	Grommet
8	R13811041	2	Capscrew	23	R13801813	2	Capscrew
9	R13811017	2	Capscrew	24	R13811191	2	Nut
10	R545005	1	Pipe	25	R1307115	1	Grommet
11	R635373	2	Spacer	26	R13794	1	Plate
12	R544512	2	Cable Clamp	27	R13807171	2	Machine Screw
13	R645092	2	Link Spacer	29	R13803444	4	Nut
14	R13811190	2	Nut	30	R13795	1	Spacer
15	R13800353	1	Pin, Cotter	31	R13809573	4	Washer
16	R13809920	1	Pin, Clevis				



H1665a05.dwg

### Brake and Differential Lock Manifold

Item	Part No.	Qty	Description	Item	Part No.	Qty	Description
	<b>*g R15592</b>		<b>Brake and Differential Lock Manifold</b>				
1	*a R14999	1	. Shuttle Valve	12	* -----	1	Pressure Switch
2	*b R15000	2	. Check Valve				
3	*c R15001	1	. Unloading Valve		*a Seal Kit P/N R15011		
4	*d R15002	1	. Relief Valve		*b Seal Kit P/N R15012		
5	*e R15003	1	. Solenoid Valve		*c Seal Kit P/N R15013		
6	*f R15004	1	. Solenoid Valve		*d Seal Kit P/N R15014		
7	R15006	1	. Coil		*e Seal Kit P/N R15015		
8	R15008	2	. Plug		*f Seal Kit P/N R15016		
9	R15009	1	. Plug		*g Seal Kit P/N R15424 - Services entire valve		
10	*d R15516	1	. Relief Plug		* Reference only - See Section 5-1.1		
11	245015	1	. Valve Body				

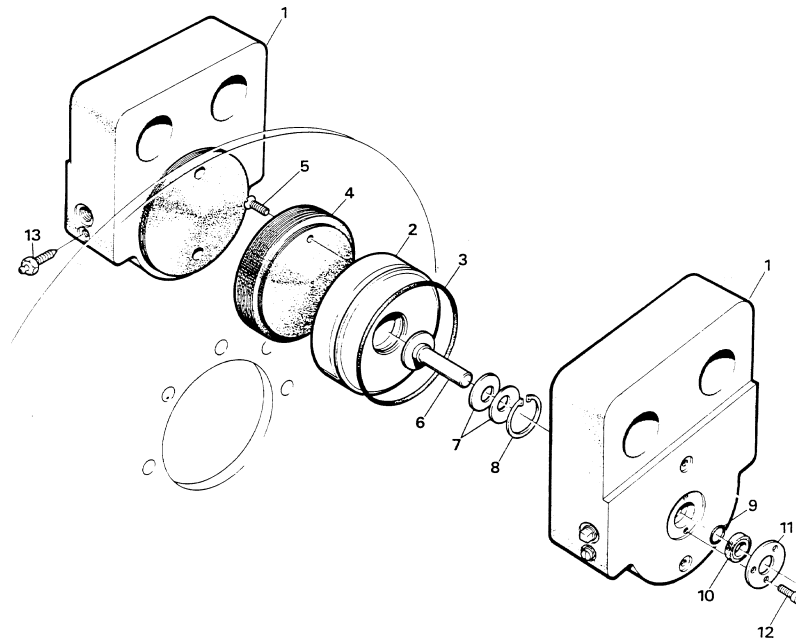


H665a06.dwg

### Accumulator

Item	Part No.	Qty	Description	Item	Part No.	Qty	Description
	<b>R13646</b>		<b>Accumulator</b>				
1	NSS	1	. Body	8	R15069	1	. Gas Valve
2	R15067	1	. Hydraulic End Cap	8A	*a -----	1	. O-Ring
3	R15068	1	. Gas End Cap	9	R15070	1	. Protector
4	R15063	1	. Piston	9A	R15066	2	. Capscrew
5	*a -----	1	. O-Ring	10	243274	1	Valve, Charge
5A	*a -----	2	. Back-up Ring				
6	*a -----	2	. Piston Ring				
7	*a -----	2	. O-Ring				

\*a Service Kit P/N R14767



R1927821.pcx

### Hydraulic Brake Assembly

Item	Part No.	Qty	Description	Item	Part No.	Qty	Description
	<b>R1927821</b>		<b>Hydraulic Brake Assembly</b>				
1	NSS	2	Housing	9	203426	2	Seal, O-Ring
2	R1992007	2	Piston	10	R1992011	2	Grip
3	R1992008	2	Seal	11	R1991327	2	Plate
4	R1991211	2	Lining	12	42G001004	6	Screw
5	1991323	4	Screw	13	R6212985	2	Valve
6	R1991324	2	Pin				
7	R1991325	4	Spring				
8	212385	2	Snap Ring				
					NSS		Not Sold Separately

## Section 6

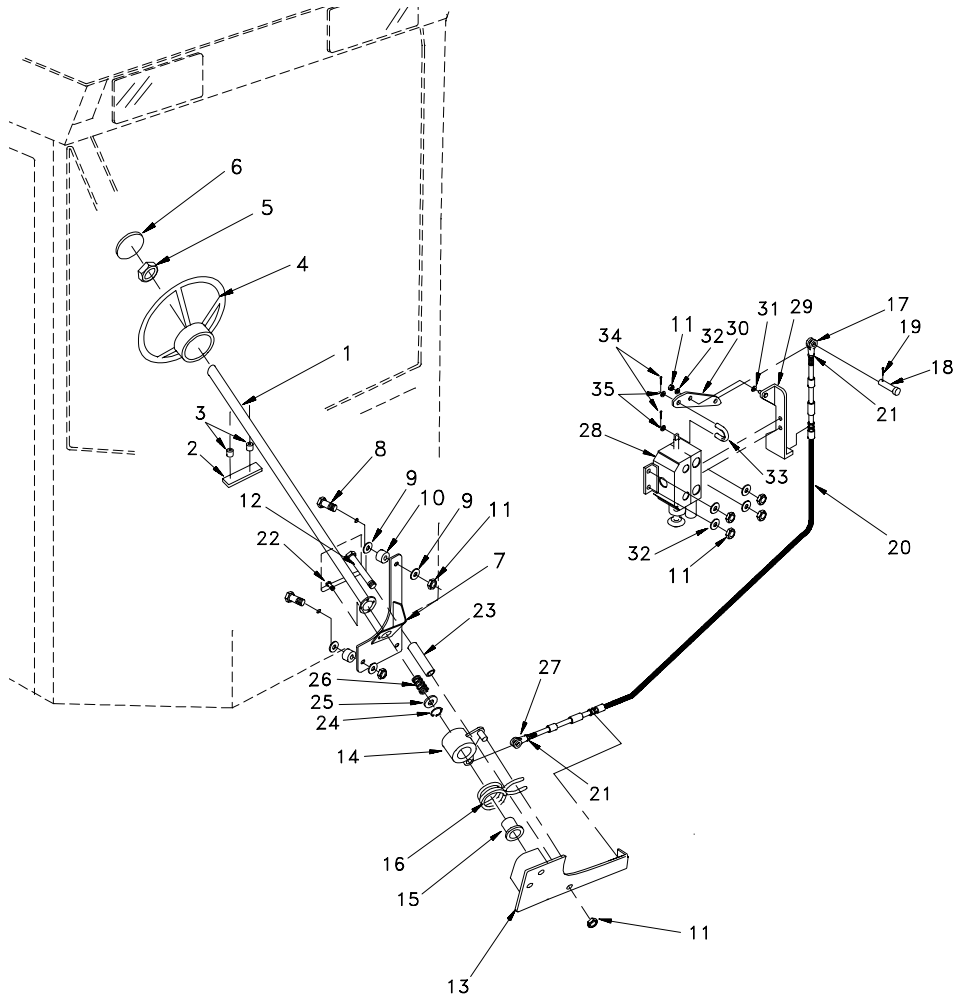
### Steering System

**Page No. Description**

---

<b>6-1</b>	<b>Systems</b>
6-1.1	Steering Controls
6-1.4	Steering Hydraulics
<b>6-2</b>	<b>Control Components</b>
6-2.1	Steering Hydraulic Valve
6-2.2	Steering Cylinder Installation
<b>6-3</b>	<b>Miscellaneous</b>
6-3.1	Steering Lock

Intentionally Blank



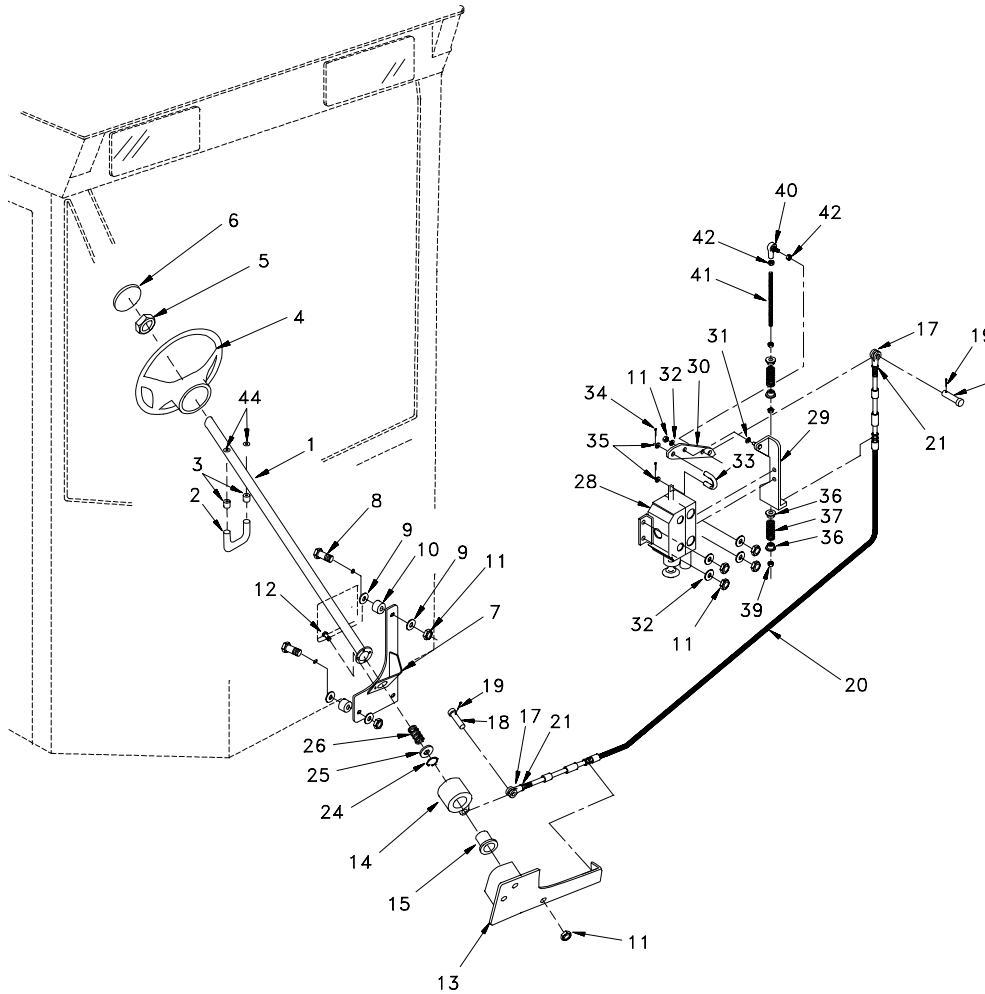
H666a01.dwg

### Steering Controls

Item	Part No.	Qty	Description	Item	Part No.	Qty	Description
1	R10035	1	Steering Column	23	R14490	1	Spacer
2	R10037	1	Clamp	24	R14491	1	Snap Ring
3	R552914	2	Spacer	25	R13806980	1	Washer
4	R15420	1	Steering Wheel	26	R14492	1	Spring
5	R10061	1	. Nut	28	* R15474	1	Valve (6-2.1)
6	NSS	1	. Cap	29	R15487	1	Bracket
7	R14421	1	Steering Mount	30	R15486	1	Plate
8	R13811039	3	Capscrew	31	R1938458	1	Bearing
9	R12569926	6	Washer	32	R13811431	10	Washer
10	R4086970	3	Mount	33	R15493	1	Link
11	R13811191	6	Nut	34	R13800351	2	Pin, Cotter
12	R13811044	4	Capscrew	35	R13811431	2	Washer
13	R13739	1	Bracket	36	R14613	4	Puck
14	R13736	1	Cam	37	R15417	2	Spring
15	R1313117	1	Bearing	38	R13811444	2	Washer
17	R13810519	2	Rod End	39	R13806845	2	Nut
18	R13809919	2	Pin	40	R12574410	1	Rod End
19	R13800353	2	Pin	41	R15418	1	Rod
20	R13719	1	Cable	42	R13805196	2	Nut
21	R13809564	2	Nut	43	R13801824	3	Capscrew
22	R13811031	1	Capscrew				

Intentionally Blank

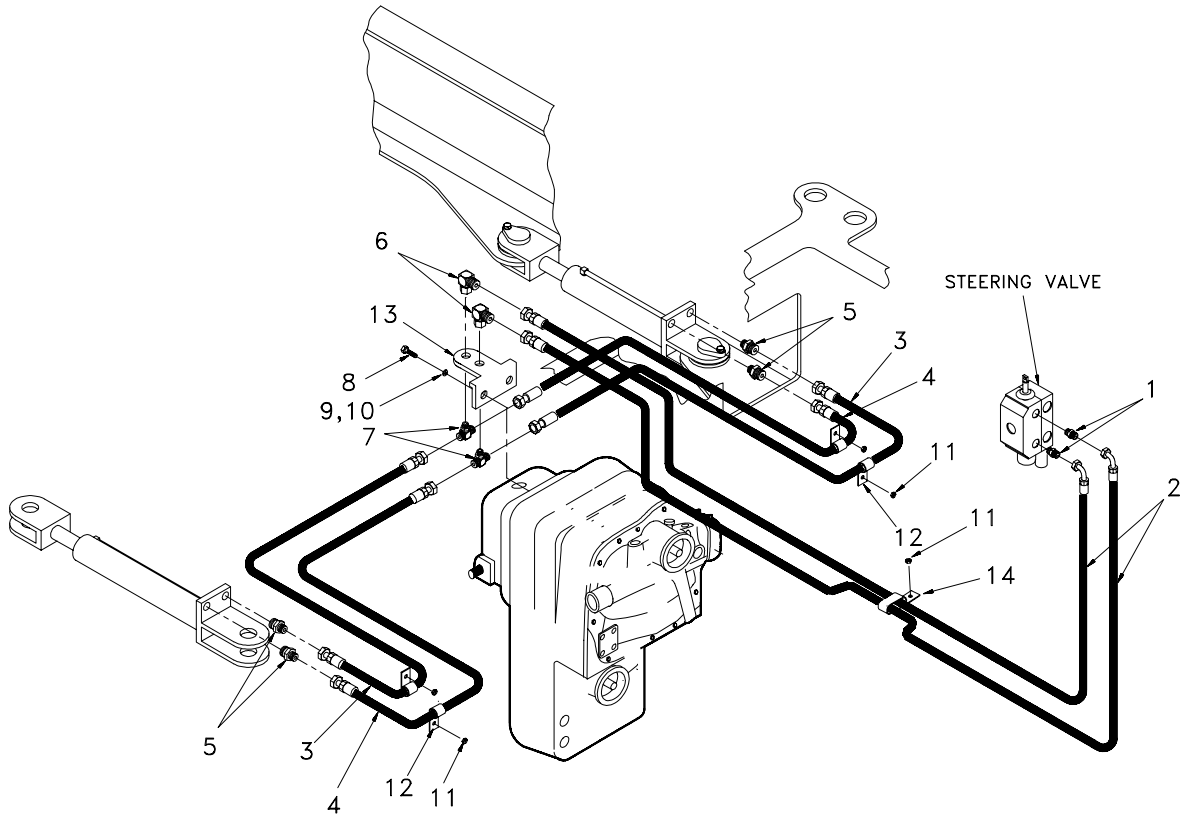




H666a02.dwg

### Steering Controls

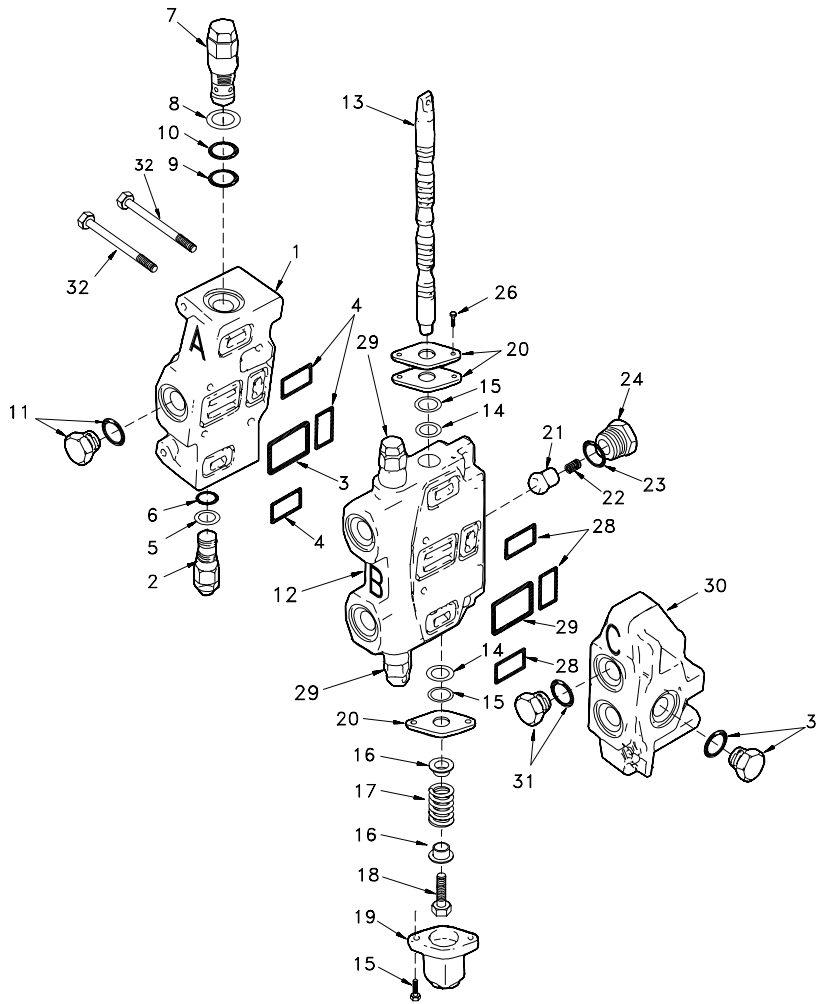
Item	Part No.	Qty	Description	Item	Part No.	Qty	Description
1	R10035	1	Steering Column	21	R13809564	2	Nut
2	R10037	1	Clamp	24	R14491	1	Snap Ring
3	R552914	2	Spacer	25	R13806980	1	Washer
4	R15420	1	Steering Wheel	26	R14492	1	Spring
5	R10061	1	. Nut	28	* R15474	1	Valve (6-2.1)
6	NSS	1	. Cap	30	R15486	1	Plate
7	R15583	1	Steering Mount	31	R1938458	1	Bearing
8	R13811039	3	Capscrew	32	R13811431	10	Washer
9	R12569926	6	Washer	33	R15493	1	Link
10	R4086970	3	Mount	34	R13800351	2	Pin, Cotter
11	R13811191	6	Nut	35	R13811431	2	Washer
12	R13811044	4	Capscrew	36	R14613	4	Puck
13	R15585	1	Bracket	37	R15417	2	Spring
14	R13736	1	Cam	39	R13806845	2	Nut
15	R1313117	1	Bearing	40	R12574410	1	Rod End
17	R13810519	2	Rod End	41	R15418	1	Rod
18	R13809919	2	Pin	42	R13805196	2	Nut
19	R13800353	2	Pin	44	R13812514	2	Washer
20	R13719	1	Cable				



H666a03.dwg

### Steering Hydraulic System

Item	Part No.	Qty	Description	Item	Part No.	Qty	Description
1	209069	2	Fitting	8	R13811060	2	Capscrew
2	231184	2	Hose Assembly	9	R13811432	2	Washer
3	R12578253	2	Hose Assembly	10	R13806996	2	Washer
4	R1320757	2	Hose Assembly	11	R13807441	4	Nut
5	209069	4	Fitting	12	R13803047	4	Clip
6	R13801461	2	Fitting	13	R14371	1	Bracket
7	R14372	2	Fitting	14	R13810033	1	Clamp



H666a07.dwg

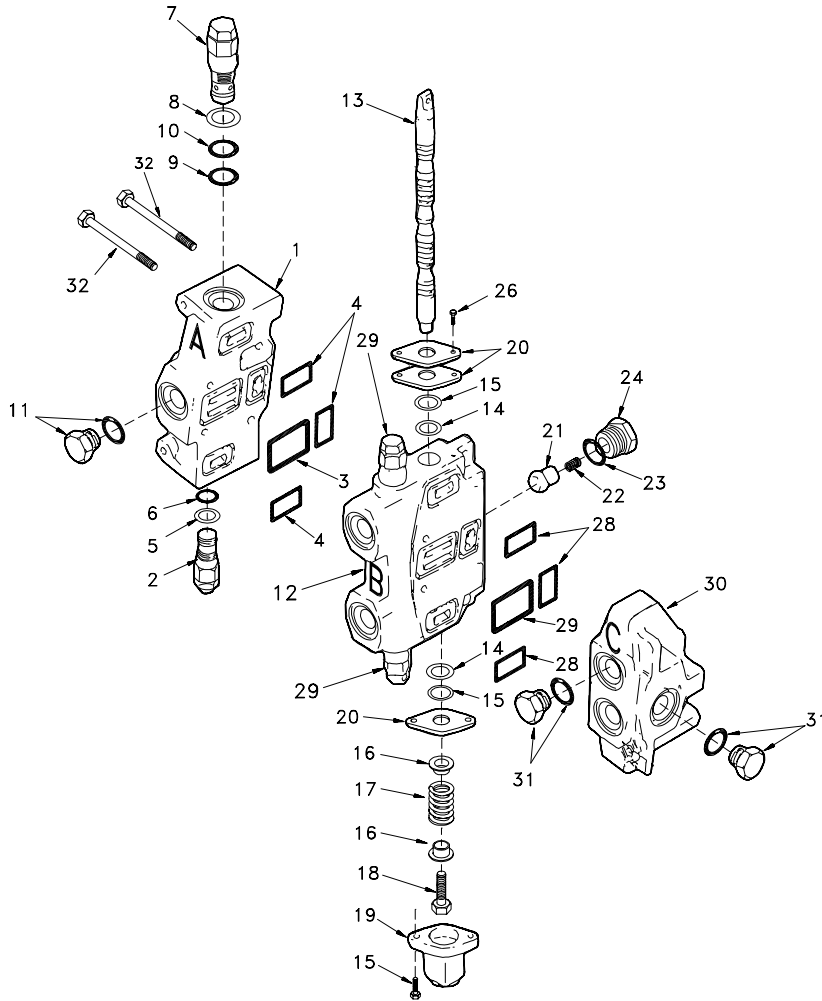
### Steering Hydraulic Valve

Item	Part No.	Qty	Description	Item	Part No.	Qty	Description
<b>R15474 Steering Hydraulic Valve</b>							
A	R15572	1	.. Inlet Section	19	R1992533	1	.. Cap
1	NSS	1	.. Housing	20	R1992538	3	.. Retainer
2	244978	1	.. Plug	21	R1992608	1	.. Poppet
3	*b R12969463	1	.. Seal	22	R1992607	1	.. Spring
4	*b R12969462	3	.. Seal	23	*c R12969468	1	.. O-Ring
5	R5209870	1	.. Gasket	24	230558	1	.. Check Cap
6	R13803625	1	.. Seal	25	R13803338	2	.. Capscrew
7	244917	1	.. Main Relief	26	R13803337	2	.. Capscrew
8	R5209870	1	.. Gasket	27	*b,*c R12969463	1	.. Seal
9	R13803625	1	.. O-Ring	28	*b,*c R12969462	3	.. Seal
10	R15534	1	.. Backup Ring	29	*a R12969505	2	.. Port Relief
11	R15575	1	.. Plug	C	R15577	1	.. Outlet Section
	R13806937		.. O-Ring	30	NSS	1	.. Housing
B	R15576	1	.. Steering Section	31	R15575	2	.. Plug
12	NSS	1	.. Housing		R13806937	1	.. O-Ring
13	NSS	1	.. Spool	33	R15578	4	.. Stud Assembly
14	*c R12969494	2	.. Seal				
15	*c R1992539	2	.. Backup Ring				
16	R1992534	2	.. Guide				
17	R1992605	1	.. Return Spring				
18	R1566888	1	.. Bolt				

\*a Uses Seal Kit P/N R12969581 (Seals one Relief)

\*b Included in Seal Kit P/N R12607050 (Seals one section)

\*c Included in Seal Kit P/N R12969637



H666a07.dwg

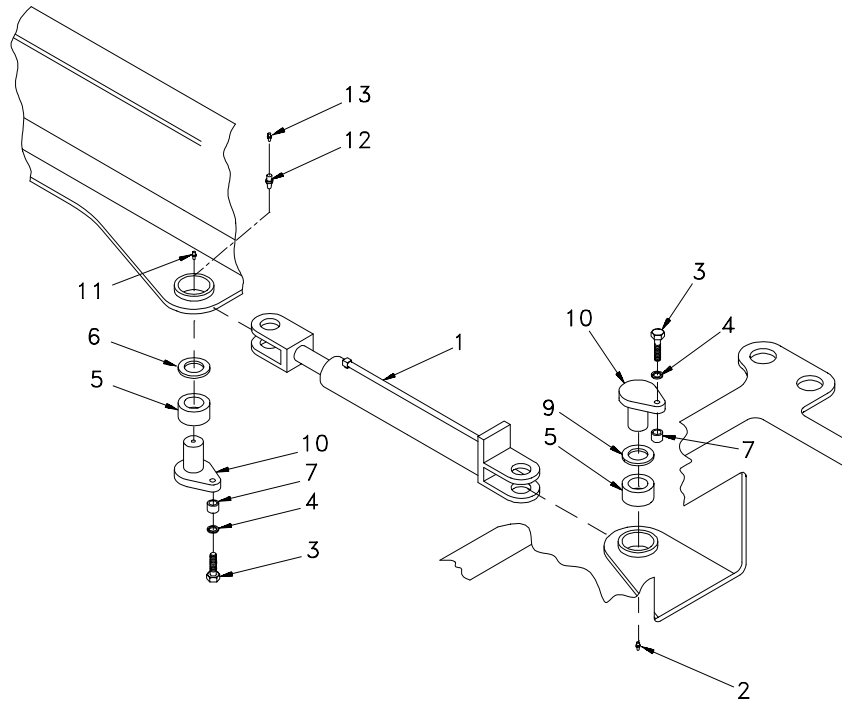
### Steering Hydraulic Valve

Item	Part No.	Qty	Description	Item	Part No.	Qty	Description
	<b>245010</b>		<b>Steering Hydraulic Valve</b>				
A	245164	1	. Inlet Section	19	R1992533	1	. . Cap
1	NSS	1	. . Housing	20	R1992538	3	. . Retainer
2	244978	1	. . Plug	21	R1992608	1	. . Poppet
3	*b R12969463	1	. . Seal	22	R1992607	1	. . Spring
4	*b R12969462	3	. . Seal	23	*c R12969468	1	. . O-Ring
5	R5209870	1	. . Gasket	24	230558	1	. . Check Cap
6	R13803625	1	. . Seal	25	R13803338	2	. . Capscrew
7	245165	1	. . Main Relief	26	R13803337	2	. . Capscrew
8	R5209870	1	. . . Gasket	27	*b,*c R12969463	1	. . Seal
9	R13803625	1	. . . O-Ring	28	*b,*c R12969462	3	. . Seal
10	R15534	1	. . . Backup Ring	29	*a R12969505	2	. . Port Relief
11	R15575	1	. . Plug	C	R15577	1	. Outlet Section
	R13806937		. . . O-Ring	30	NSS	1	. . Housing
B	R15576	1	. Steering Section	31	R15575	2	. . Plug
12	NSS	1	. . Housing		R13806937	1	. . . O-Ring
13	NSS	1	. . Spool	33	R15578	4	. Stud Assembly
14	*c R12969494	2	. . Seal				
15	*c R1992539	2	. . Backup Ring				
16	R1992534	2	. . Guide				
17	R1992605	1	. . Return Spring				
18	R1566888	1	. . Bolt				

\*a Uses Seal Kit P/N R12969581 (Seals one Relief)

\*b Included in Seal Kit P/N R12607050 (Seals one section)

\*c Included in Seal Kit P/N R12969637

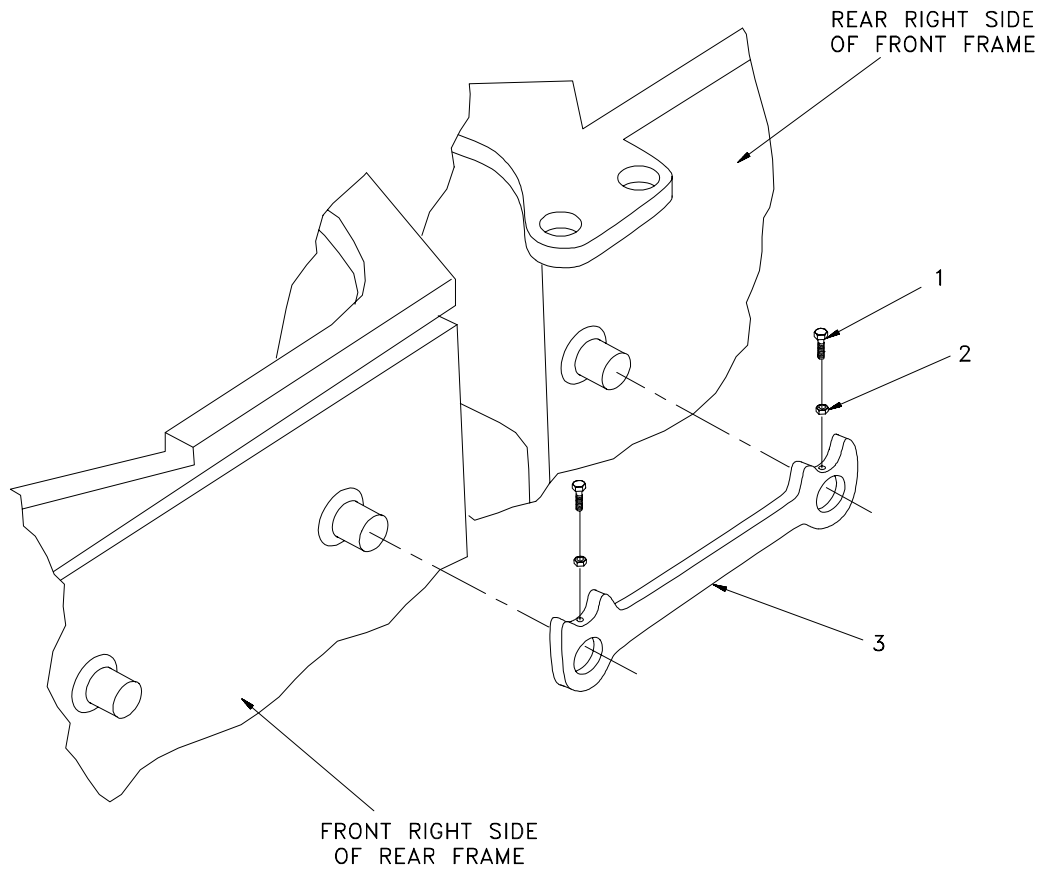


H666b04.dwg

### Steering Cylinder Installation

Item	Part No.	Qty	Description	Item	Part No.	Qty	Description
1	* R2552361	2	Hydraulic Cylinder (9-4.1)	10	R12574706	4	Pin
2	00191758	2	Fitting, Lube	11	*a R13804237	2	Fitting
3	R13801842	4	Capscrew	12	*b 209750	2	Fitting
4	R13811433	4	Washer	13	*b 217206	2	Fitting
5	R1574466	4	Bearing				
6	*a R1928772	2	Washer				*a Last used Unit S/N 1529
7	R2529808	4	Spacer				*b First used Unit S/N 1530
9	R1920223	4	Washer				

Intentionally Blank



H666a06.dwg

### Steering Lock

Item	Part No.	Qty	Description	Item	Part No.	Qty	Description
1	R1938397	1	Frame Lock				
2	R13811036	2	Capscrew				
3	R13809556	2	Nut				

Intentionally Blank

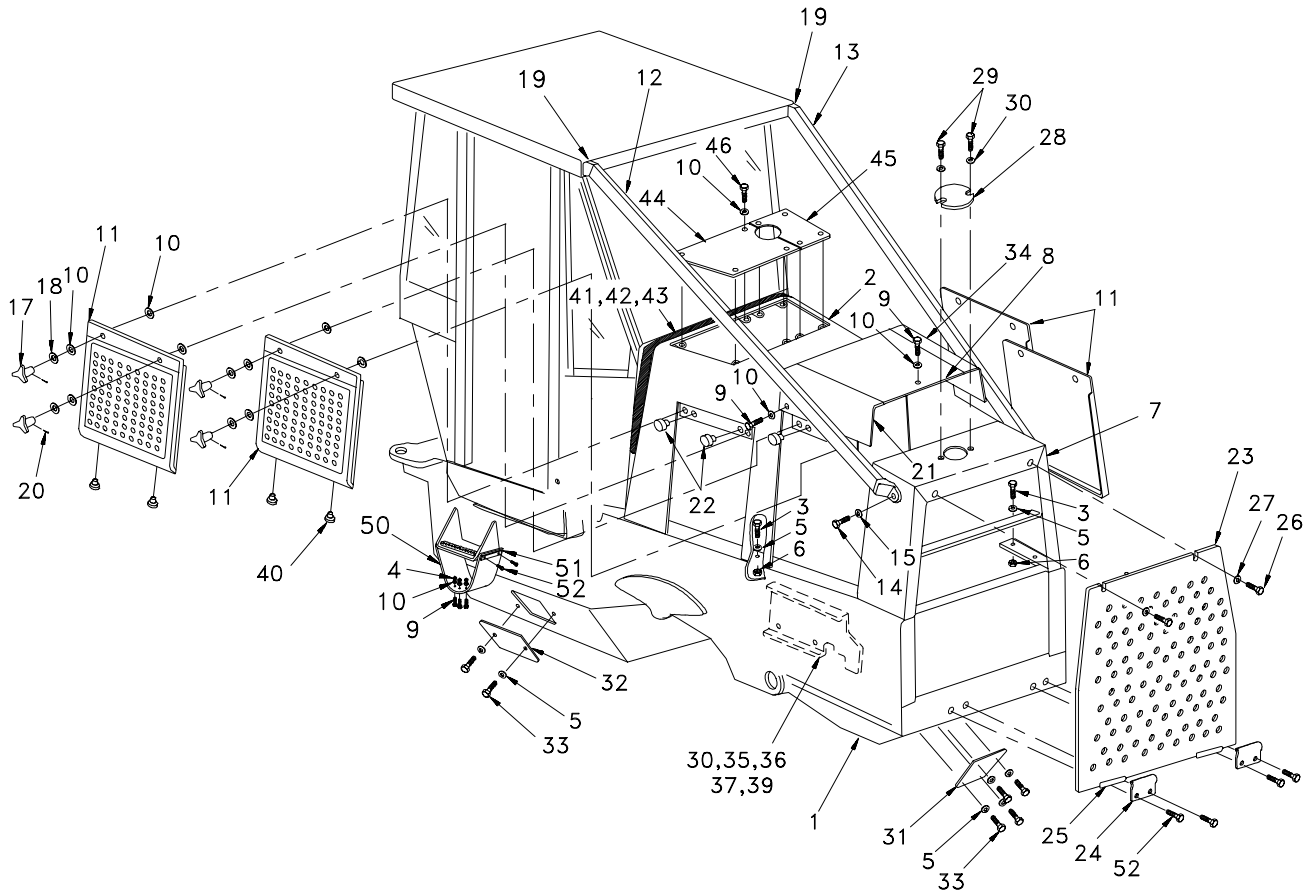


## Section 7

### Frame

<b>Page No.</b>	<b>Description</b>
<b>7-1</b>	<b>Basic Structure</b>
7-1.1	Front Frame
7-1.4	Hinge
7-1.5	Cradle
7-1.6	Cable Rear Frame
7-1.7	Hi-Vis Rear Frame
7-1.8	Single Arch Rear Frame
<b>7-2</b>	<b>Miscellaneous</b>

Intentionally Blank

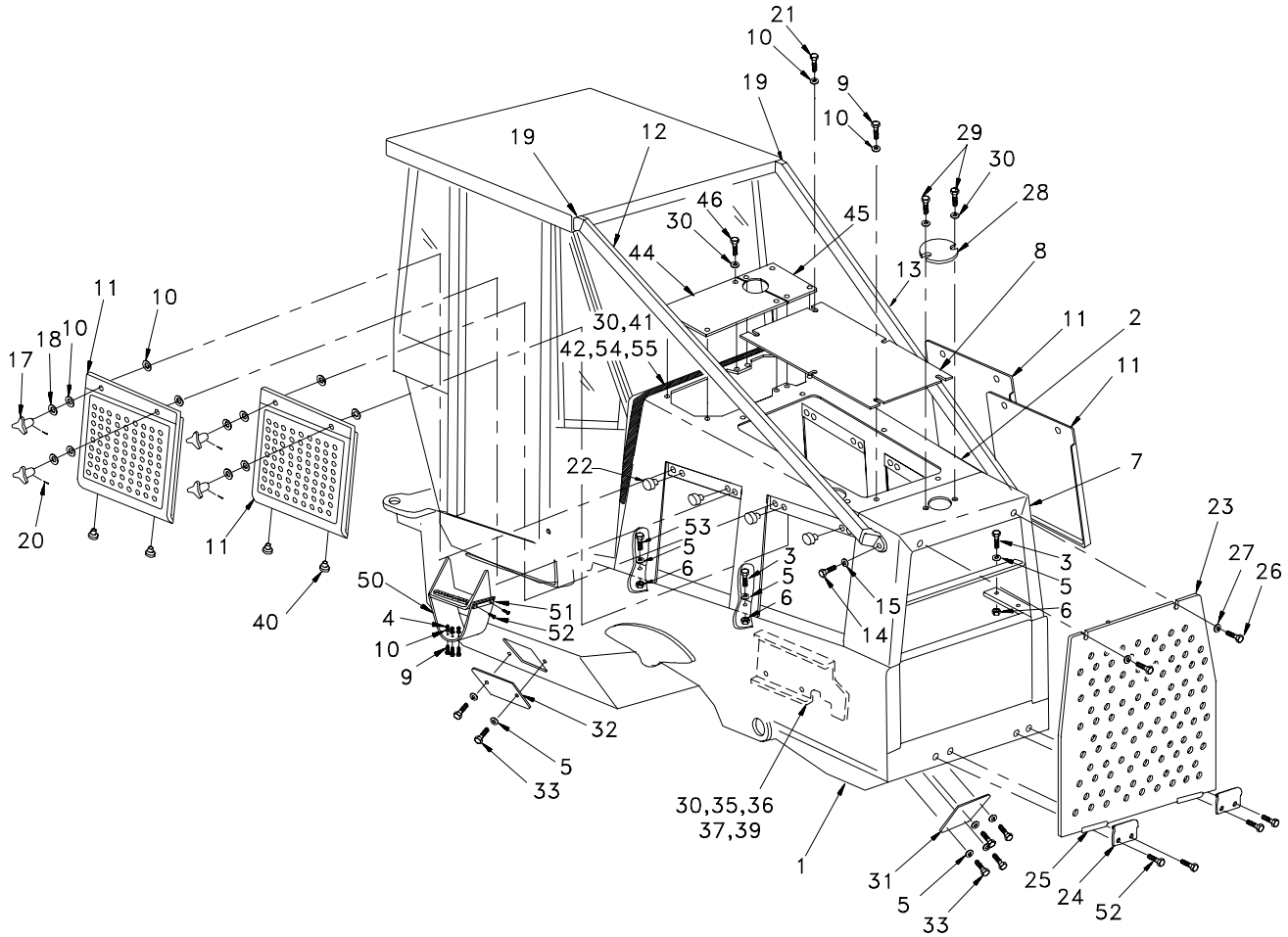


7a01.dwg

### Front Frame

Item	Part No.	Qty	Description	Item	Part No.	Qty	Description
1	R14460	1	Frame	26	R13811075	2	Capscrew
2	R13640	1	Cowl	27	R2354558	2	Washer
3	R13806826	8	Capscrew	28	R1935185	1	Plate
4	R13801869	2	Capscrew	29	R13811035	2	Capscrew
5	R13811435	16	Washer	30	R13811431	10	Washer
6	R13811195	8	Nut	31	R1937917	1	Cover
7	R13730	1	Hardnose	32	R1937203	2	Cover
8	R13766	1	Hood	33	R13811122	8	Capscrew
9	R13811076	20	Capscrew	34	R14545	1	Support
10	R13811433	44	Washer	35	R14383	1	Cylinder Guard, RH
11	R13773	4	Panel	36	R14384	1	Cylinder Guard, LH
12	R13806	1	Sweep, RH	37	R13810858	8	Capscrew
13	R13802	1	Sweep, LH	39	R13812514	8	Washer
14	R13811144	2	Capscrew	40	R1939323	8	Bumper
15	R13811457	2	Washer	41	R13727	92"	Trim
17	R1931189	8	Knob	42	R13811191	18	Nut
18	R1939327	8	Washer	43	R13811431	8	Washer
19	R14613	8	Puck	44	R13724	1	Cover
20	R13809742	8	Pin, Spring	45	R13772	1	Plate
21	R14546	1	Support	46	R13806273	8	Capscrew
22	R1939324	8	Bumper	50	R14579	2	Flex Step
23	R1932801	1	Grille	51	R14580	4	Bar
24	R1932802	2	"P" Strap	52	R13811077	12	Capscrew
25	R1932401	2	Bracket				

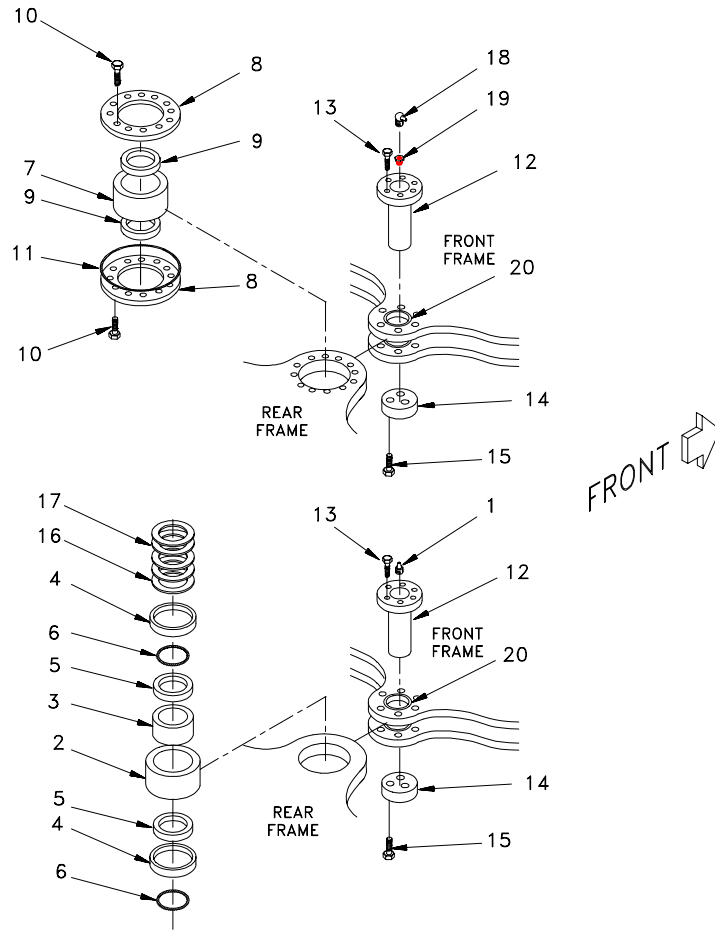
Intentionally Blank



7a05.dwg

### Front Frame

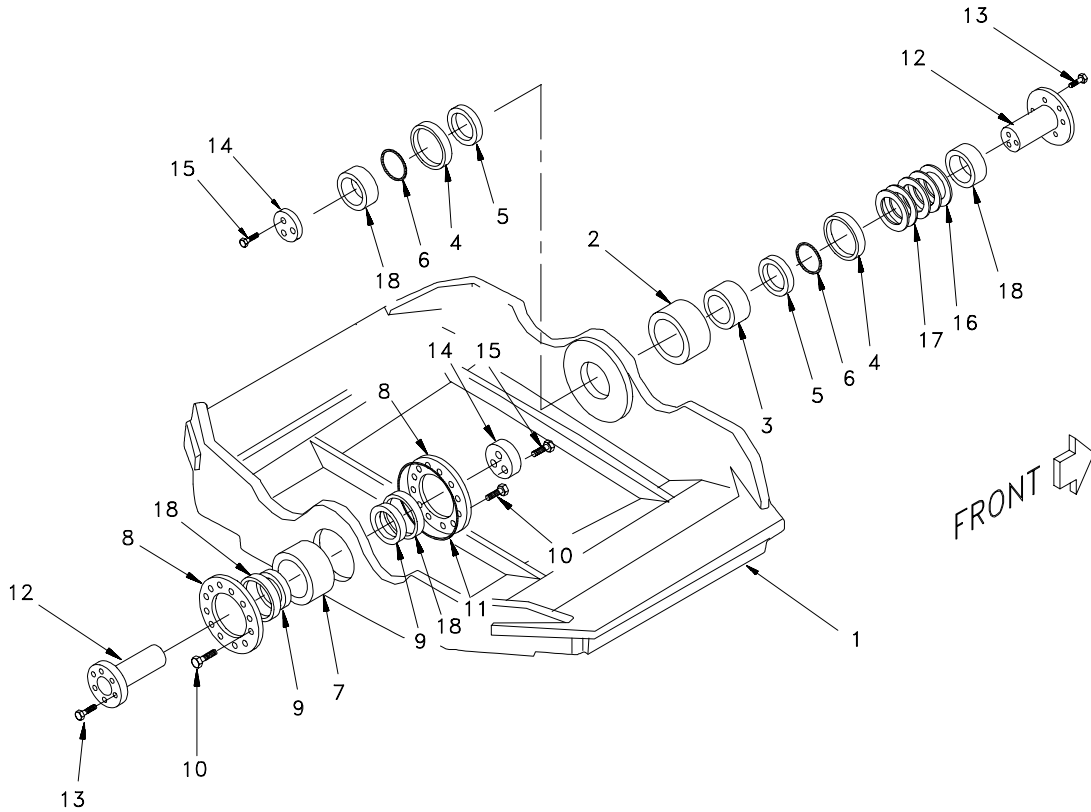
Item	Part No.	Qty	Description	Item	Part No.	Qty	Description
1	R14460	1	Frame	26	R13811075	2	Cap screw
2	R15539	1	Cowl	27	R2354558	2	Washer
3	R13811123	6	Cap screw	28	R1935185	1	Plate
4	R13806826	2	Cap screw	29	R13811035	2	Cap screw
5	R13811435	16	Washer	30	R13811431	18	Washer
6	R13811195	8	Nut	31	R1937917	1	Cover
7	R13730	1	Hardnose	32	R1937203	2	Cover
8	R15551	1	Hood	33	R13811122	8	Cap screw
9	R13811076	20	Cap screw	35	R14383	1	Cylinder Guard, RH
10	R13811433	44	Washer	36	R14384	1	Cylinder Guard, LH
11	R13773	4	Panel	37	R13810858	8	Cap screw
12	R13806	1	Sweep, RH	39	R13812514	8	Washer
13	R13802	1	Sweep, LH	40	R1939323	8	Bumper
14	R13811144	2	Cap screw	41	R13727	92"	Trim
15	R13811457	2	Washer	42	R13811191	18	Nut
17	R1931189	8	Knob	44	R15549	1	Plate, RH Cover
18	R1939327	8	Washer	45	R15550	1	Plate, LH Cover
19	R14613	8	Puck	46	R13811035	10	Cap screw
20	R13809742	8	Pin, Spring	50	R14579	2	Flex Step
21	R13811073	4	Cap screw	51	R14580	4	Bar
22	R1939324	8	Bumper	52	R13811077	16	Cap screw
23	R1932903	1	Grille	53	R13811124	2	Cap screw
24	R1932802	2	"P" Strap	54	R14493	2	Plate, Backing along top edge
25	R1932401	2	Bracket	55	R14496	1	Plate, Backing along side edges



7a02.dwg

### Hinge Joint

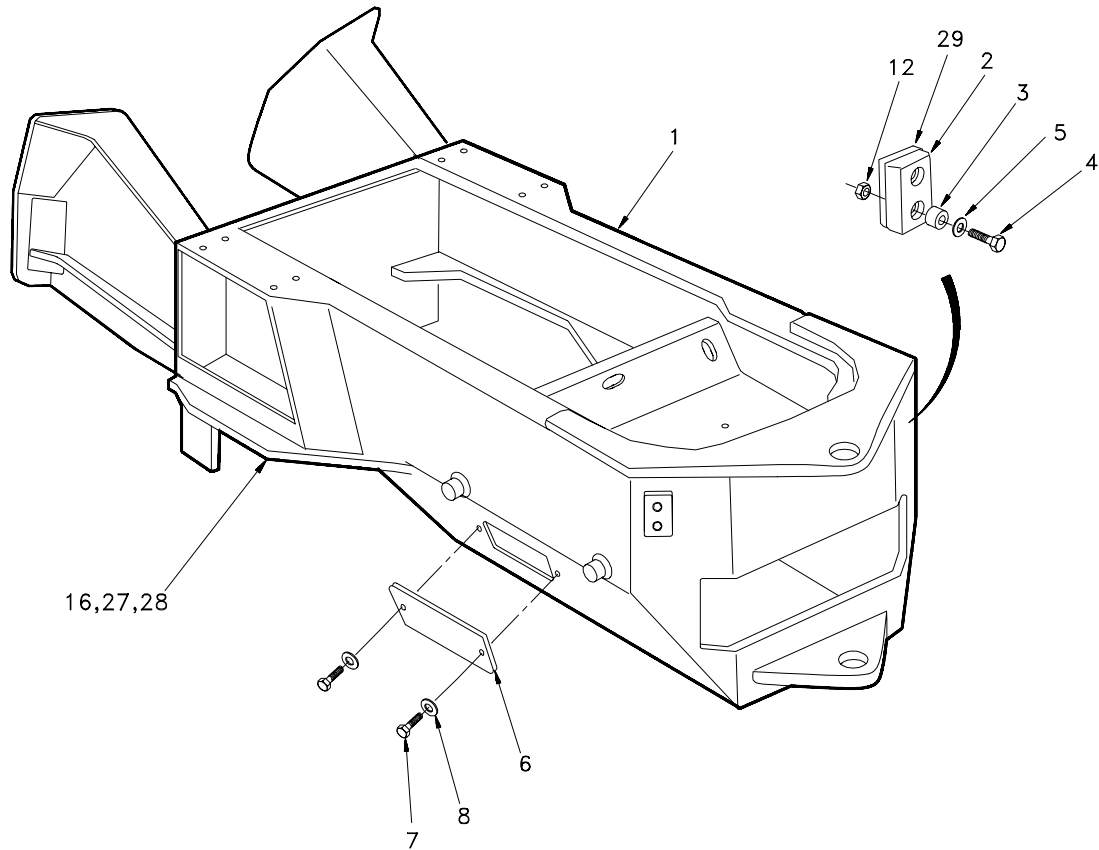
Item	Part No.	Qty	Description	Item	Part No.	Qty	Description
1	R13801339	1	Fitting, Lube	11	R13802795	1	O-Ring
2	R1922644	1	Sleeve	12	R1923916	2	Pin
3	R1573309	1	Bearing	13	R13803897	12	Capscrew
4	R1519196	2	Seal	14	R1922643	2	End Plate
5	R1922646	2	Wear Ring	15	R13805257	6	Capscrew
6	R13802766	2	O-Ring	16	R1937488	2	Shim
7	R1923922	1	Bearing	17	R1937489	2	Shim
8	R1922638	2	Retainer	18	R1517252	1	Lube Fitting
9	R1519195	2	Seal	19	R13801533	1	Fitting
10	R13803889	24	Capscrew	20	R1922640	4	Sleeve



7a03.dwg

### Cradle

Item	Part No.	Qty	Description	Item	Part No.	Qty	Description
1	R13947	1	Cradle	10	R13803889	24	Capscrew
2	R1922644	1	Sleeve	11	R13802795	1	O-Ring
3	R1573309	1	Bearing	12	R1923916	2	Pin
4	R1519196	2	Seal	13	R13803897	12	Capscrew
5	R1922646	2	Wear Ring	14	R1922643	2	End Plate
6	R13802766	2	O-Ring	15	R13805257	6	Capscrew
7	R1923922	1	Bearing	16	R1937488	2	Shim
8	R1922638	2	Retainer	17	R1937489	2	Shim
9	R1519195	2	Seal	18	R1922640	4	Sleeve

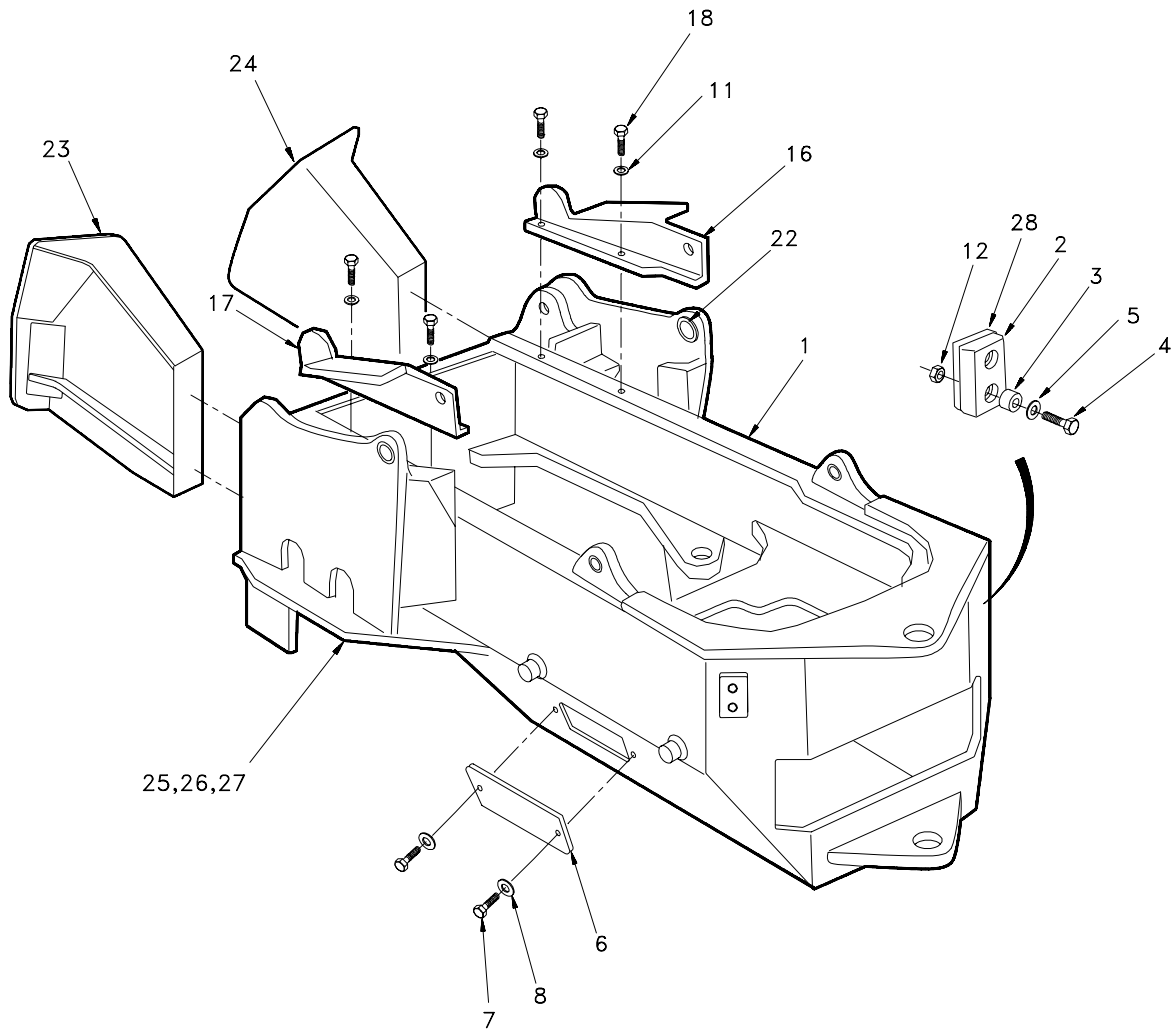


7a06.dwg

### Cable Rear Frame

Item	Part No.	Qty	Description	Item	Part No.	Qty	Description
1	R14691	1	Frame	12	R13811177	4	Nut
2	R1903679	2	Steer Stop	18	R13811146	8	Capscrew
3	R1903680	4	Spacer	19	R14615	1	Rear Axle Cover
4	R13811076	4	Capscrew	25	R13812518	4	Washer
5	R13811433	4	Washer	26	R1928742	2	Spacer
6	R1937203	2	Cover	27	R15255	1	Plate
7	R13811122	4	Capscrew	28	R13811431	2	Washer
8	R13811435	4	Washer	29	R13811037	2	Capscrew
11	R13811436	8	Washer				

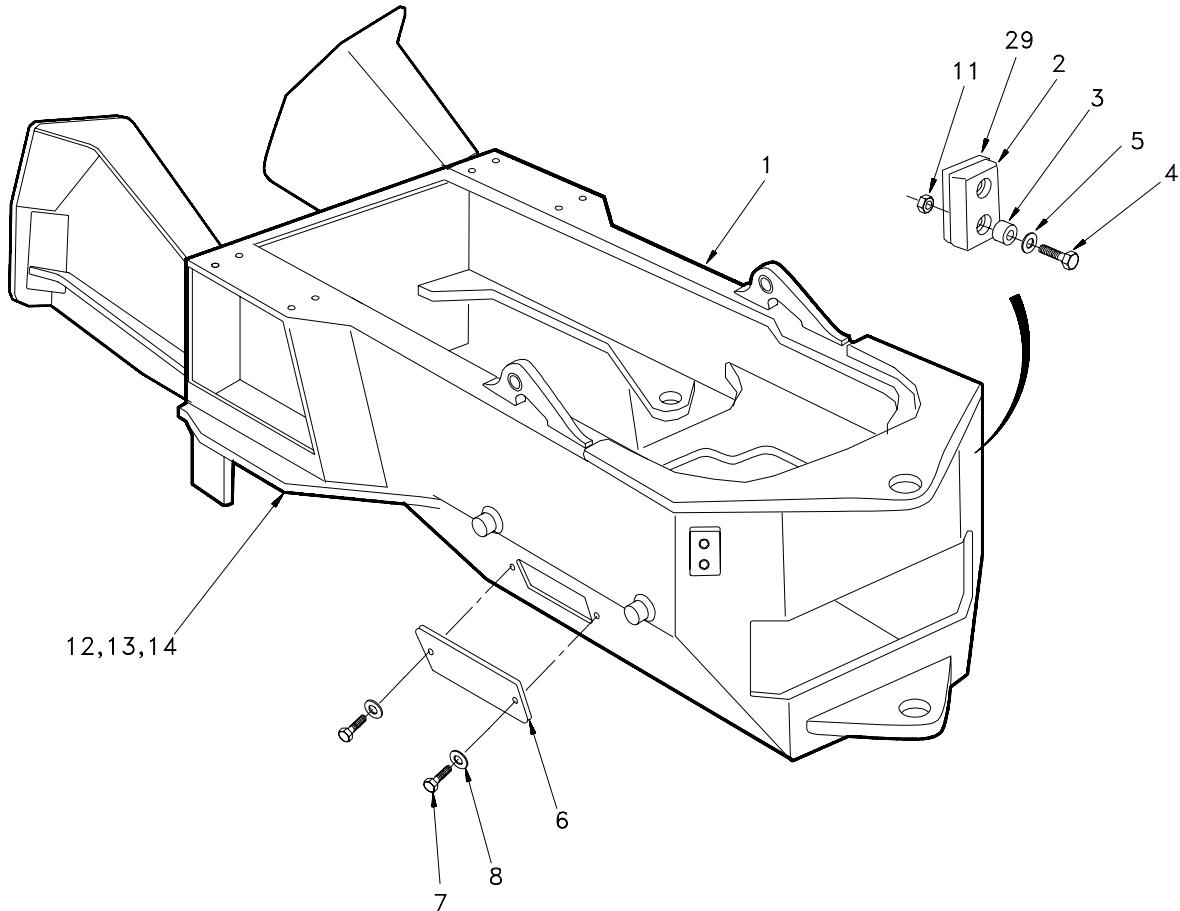




7a04.dwg

### Hi-Vis Rear Frame

Item	Part No.	Qty	Description	Item	Part No.	Qty	Description
1	R16404	1	Frame	16	R14215	1	Cover, LH
2	R1903679	2	Steer Stop	17	R14216	1	Cover, RH
3	R1903680	4	Spacer	18	R13811146	8	Capscrew
4	R13811076	4	Capscrew	19	R14615	1	Rear Axle Cover
5	R13811433	4	Washer	22	R1574466	2	Bearing
6	R1937203	2	Cover		R14174		Fender Option
7	R13811122	4	Capscrew	23	R14182	1	. Fender, RH
8	R13811435	4	Washer	24	R14183	1	. Fender, LH
11	R13811436	8	Washer	25	R13812518	4	Washer
12	R13811177	4	Nut	26	R1928742	2	Spacer



7a04.dwg

### Parallelogram Rear Frame

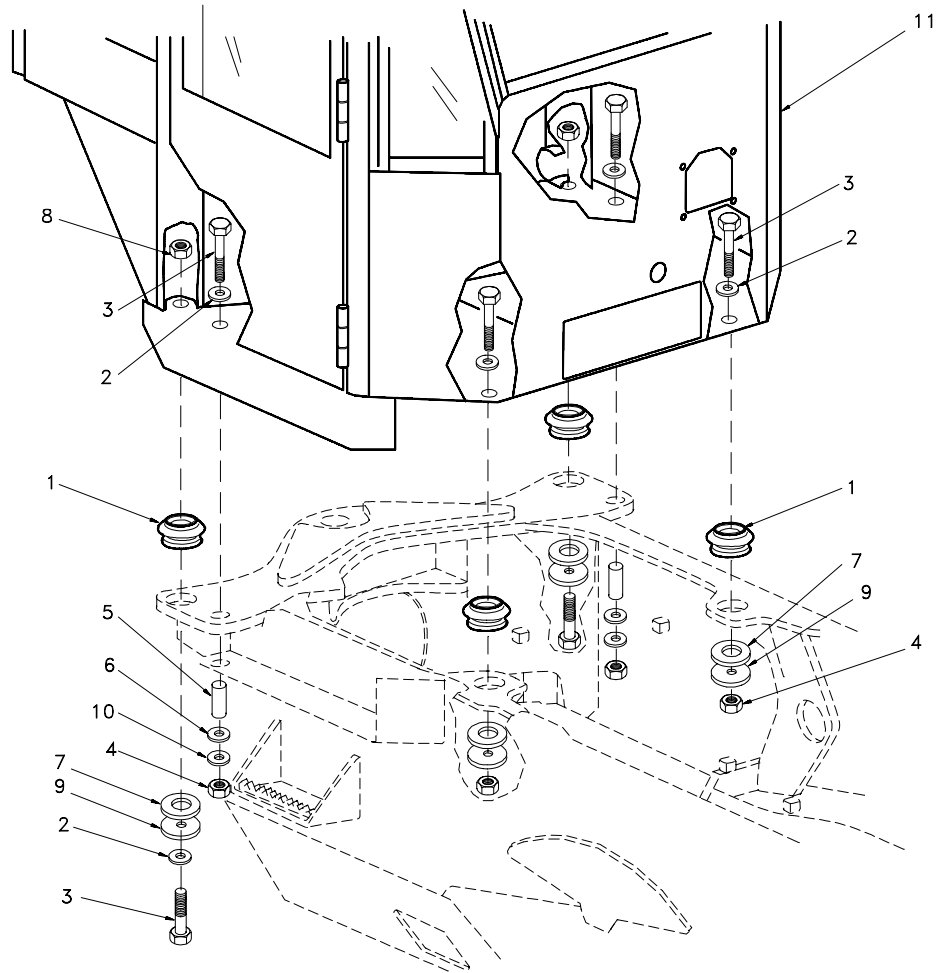
Item	Part No.	Qty	Description	Item	Part No.	Qty	Description
1	R16199	1	Frame	16	R14649	1	Cover, LH
2	R1903679	2	Steer Stop	17	R14650	1	Cover, RH
3	R1903680	4	Spacer	18	R13811146	8	Capscrew
4	R13811076	4	Capscrew	19	R14615	1	Rear Axle Cover
5	R13811433	4	Washer	22	R1574466	4	Bearing
6	R1937203	2	Cover		R14174		Fender Option
7	R13811122	4	Capscrew	23	R14182	1	. Fender, RH
8	R13811435	4	Washer	24	R14183	1	. Fender, LH
11	R13811436	8	Washer	25	R13812518	4	Washer
12	R13811177	4	Nut	26	R1928742	2	Spacer

## Section 8

### Cab

<b>Page No.</b>	<b>Description</b>
<b>8-1</b>	<b>Basic Structure</b>
8-1.1	Cab Installation
8-1.2	Enclosed Cab
8-1.6	Screened Cab
<b>8-2</b>	<b>Instruments and Controls</b>
8-2.1	Dash Assembly
8-2.2	Instrument Panel Assembly
<b>8-3</b>	<b>Miscellaneous</b>
8-3.1	Wiper/Washer Installation
8-3.2	Air Conditioning/Heater Installation
8-3.4	Air Conditioner
8-3.5	Condenser
8-3.6	Heater Installation
8-3.7	Heater
8-3.8	Seat Assembly
8-3.10	Cab Lighting
8-3.11	Auxiliary Lighting
8-3.12	Fire Extinguisher / Mirror Installation

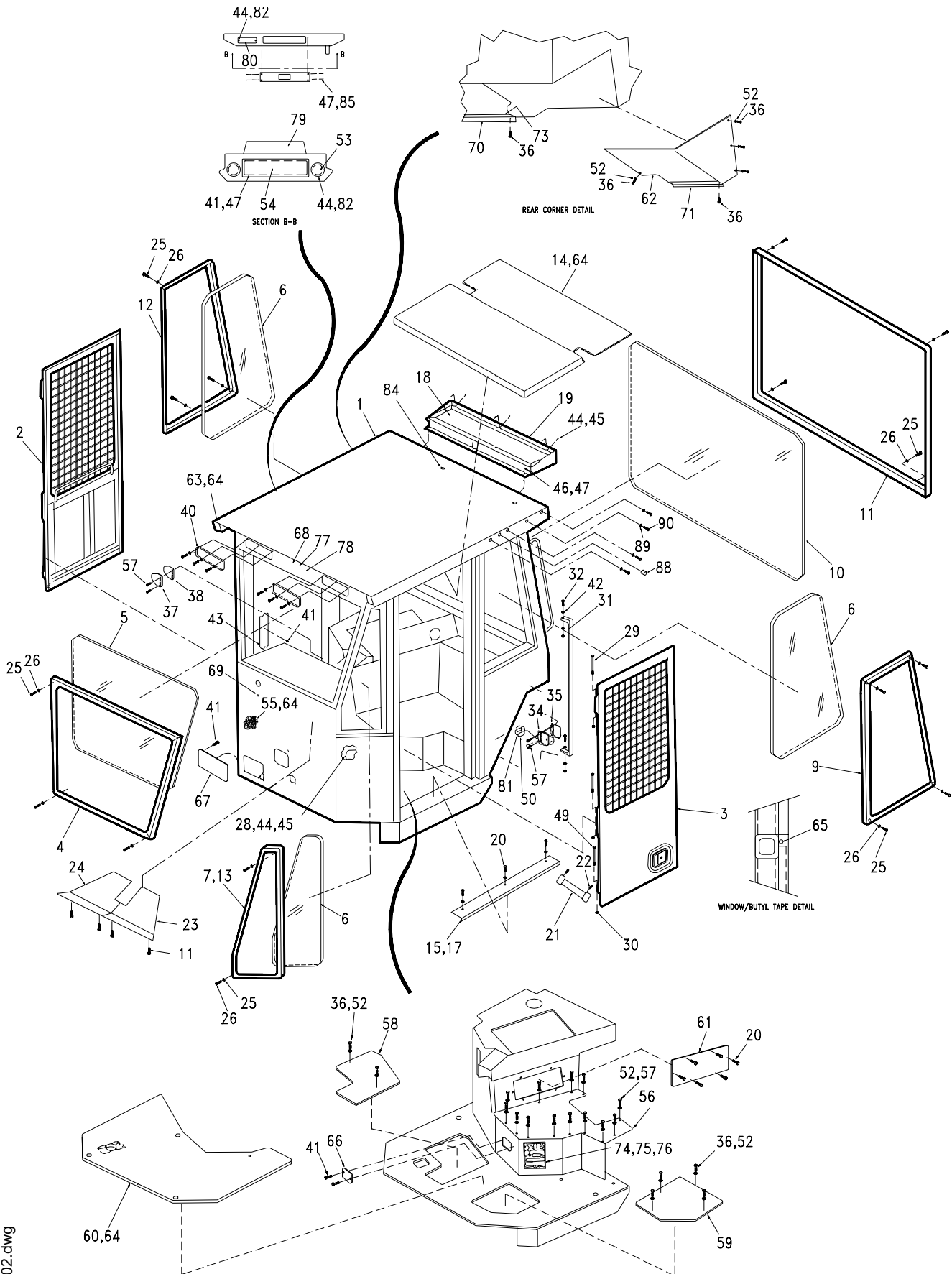
Intentionally Blank



H668a01.dwg

### Cab Installation

Item	Part No.	Qty	Description	Item	Part No.	Qty	Description
1	R13601	4	Iso-Mount	7	R13935	4	Washer
2	R13813326	6	Washer	8	R10006	2	Nut
3	R10017	6	Screw	9	R10001	4	Washer
4	R10018	4	Nut	10	R10003	2	Washer
5	R10007	2	Sleeve	11	* R13713	1	Cab, Enclosed (8-1.2)
6	R10004	2	Washer		R14463	1	Cab, Screened (8-1.6)



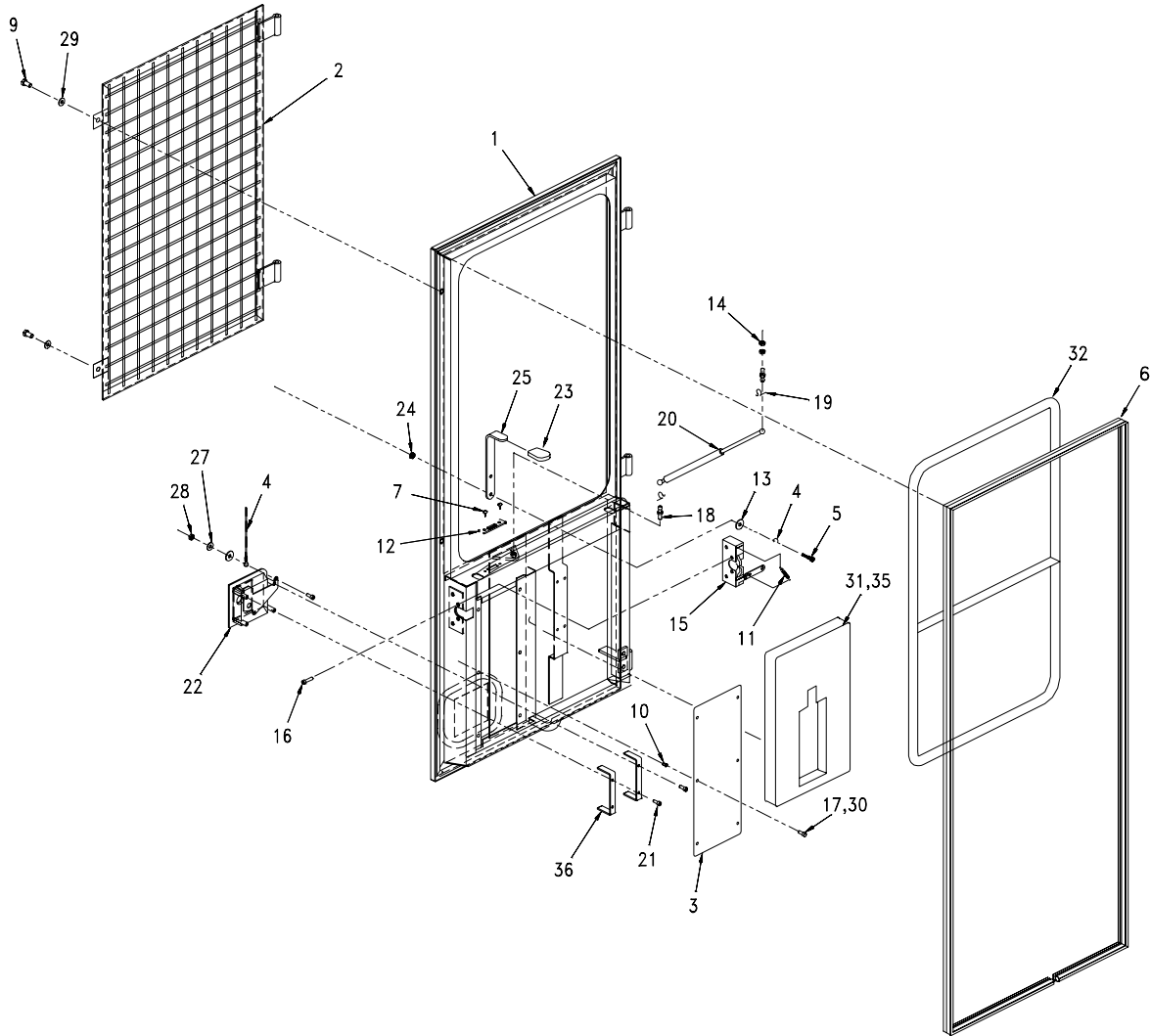
H668a02.dwg

## Enclosed Cab

Item	Part No.	Qty	Description	Item	Part No.	Qty	Description
	<b>R13713</b>		<b>Enclosed Cab</b>				
1	R13001	1	. Cab Weldment	49	R13049	2	. Bolt
2	* R13002	1	. Door Assembly - RH (8-1.5)	50	R13050	2	. Striker
3	* R13003	1	. Door Assembly - LH (8-1.5)	52	R13052	31	. Washer
4	R13004	1	. Front Window Frame	53	R13053	2	. Cover, Speaker
5	R13005	1	. Front Window	54	R13054	1	. Front Console Cover
6	R13006	2	. Front Side Window	55	R13055	1	. Front Insulation
7	R13007	1	. Frame, Front Side Window - LH	56	R13056	1	. Seat Plate
8	R13008	2	. Rear Side Window	57	R13057	44	. Bolt
9	R13009	1	. Weldment, Frame - LH	58	R13058	1	. Cover, Floor
10	R13010	1	. Rear Window	59	R13059	1	. Cover, Floor
11	R13011	1	. Frame, Rear Window	60	R13060	1	. Floor Mat
12	R13012	1	. Weldment, Frame - RH	61	R13061	1	. Panel, Side Console
13	R13013	1	. Frame, Front Side Window	62	R13062	1	. Rear, Plate
14	R13150	1	. Headliner	63	R13063	1	. Neophrane
15	R13015	1	. Threshold - RH	64	R13064	A/R	. Spray Adhesive
17	R13017	1	. Threshold - LH	65	R13065	A/R	. Tape
18	R13018	1	. Air Filter	66	R13066	1	. Cover, Seat Support
19	R13019	1	. Filter Door	67	R13067	1	. Cover, Lower Front
20	R13139	6	. Bolt	68	R13068	1	. Washer Nozzle Kit
21	R13021	2	. Door Retaining Strap	69	R13069	1	. Grommet
23	R13023	1	. Cover, Dash - LH	70	R13070	1	. Neoprene
24	R13024	1	. Cover, Dash - RH	71	R13071	1	. Neoprene
25	R13025	24	. Bolt	72	R13072	1	. Strip
26	R13026	24	. Washer	73	R13073	1	. Strip
27	R13027	4	. Washer	74	R13074	1	. Decal
28	R13028	1	. Operators Manual Holder	75	R13075	1	. Serial No. Tag
29	R13029	4	. Bolt	76	R13076	2	. Pop Rivet
30	R13030	6	. Nut	77	R13077	1	. Plug
31	R13031	2	. Grab Handle, Door	78	R13078	1	. Plug
32	R13140	4	. Bolt	79	R13079	1	. Visor
33	R13033	4	. Nut	80	R13080	1	. Cover, Radio
34	R13034	1	. Striker - LH	81	R13081	2	. Striker Guard
35	R13035	1	. Shim, Striker Plate	82	R13082	2	. Nut
37	R13037	1	. Striker Bracket - RH	83	R13083	2	. Hinge
38	R13038	1	. Shim, Striker	84	R13084	4	. Screw
39	R13039	A/R	. Foam	88	R13088	2	. Plug
40	R13040	2	. Lens, Front Light	89	R13089	8	. Washer
41	R13041	54	. Bolt	90	R13090	8	. Bolt
42	R13042	4	. Washer	91	R13145	4	. Nut
43	R13043	1	. Wire Harness Cover	92	R13144	1	. Cover, Valve Console
44	R13044	17	. Screw	93	R13143	2	. Spacer Block
45	R13045	17	. Rivnut	94	R13148	A/R	. Seal
46	R13046	4	. Bolt	95	R13149	2	. Insulation, Outside Front Panel
47	R13047	26	. Rivnut				

Intentionally Blank





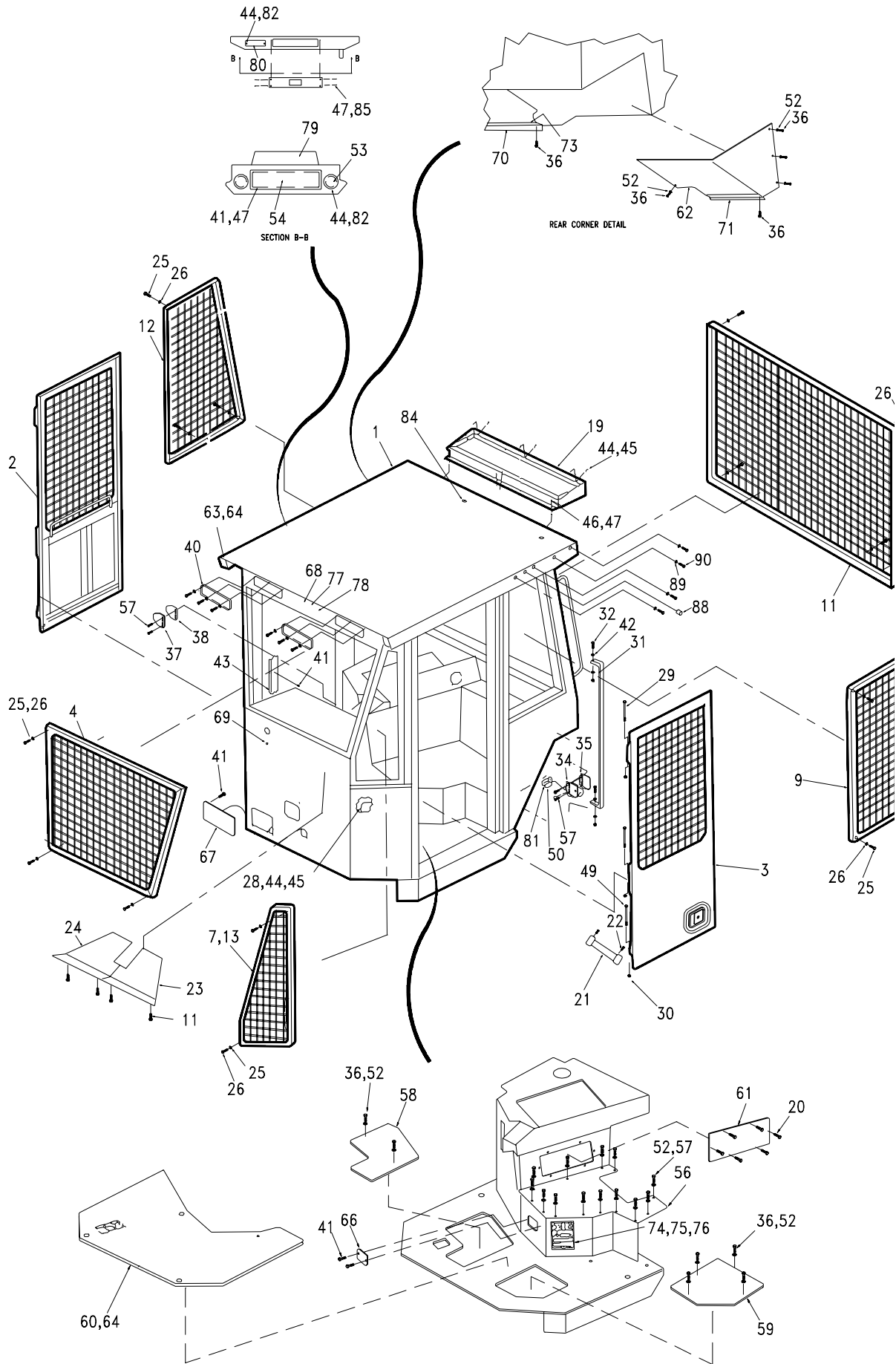
H668a03.dwg

### Enclosed Cab Door Assembly

Item	Part No.	Qty	Description	Item	Part No.	Qty	Description
	<b>R13002</b>		<b>Door Assembly - RH</b>				
	<b>R13003</b>		<b>Door Assembly - LH</b>				
1	R13125	1	. Weldment, Door - RH	21	R13117	5	. Screw
	R13101	1	. Weldment, Door - LH	22	*b R13118	1	. Handle (RH)
2	R13126	1	. Frame, Door Screen - RH		*b R13128	1	. Handle (LH)
	R13102	1	. Frame, Door Screen - LH	23	R13119	1	. Grip
3	R13129	1	. Cover, Padded	24	R13120	1	. Nut
4	R13104	1	. Cable	25	R13121	1	. Latch
5	R13105	1	. Bolt	26	R13122	1	. Washer
6	R13106	A/R	. Seal	27	R13123	1	. Washer
7	R13107	2	. Screw	28	R13082	1	. Washer
9	R13108	2	. Bolt	29	R13124	2	. Washer
10	R13047	6	. Rivnut	30	R13130	6	. Washer
11	R13109	1	. Spring	31	R13131	1	. Insulation
12	R13110	1	. Door Bushing	32	R13132	1	. Sliding Window
13	R13111	1	. Washer		R13311	2	. Window Lock
14	*a R13112	2	. Nut	33	R13133	A/R	. Tape (Not Illustrated)
15	R13113	1	. Latch (LH)	34	R13134	A/R	. Urethane (Not Illustrated)
	R13127	1	. Latch (RH)	35	R13064	A/R	. Spray Adhesive
16	R13085	4	. Bolt	36	232964	2	. Bracket
17	R13041	6	. Bolt				
18	*a R13114	2	. Stud				
19	*a R13115	2	. Clip				
20	*a R13116	1	. Spring				

\*a Last used Unit S/N 1611

\*b Uses 241288 Key

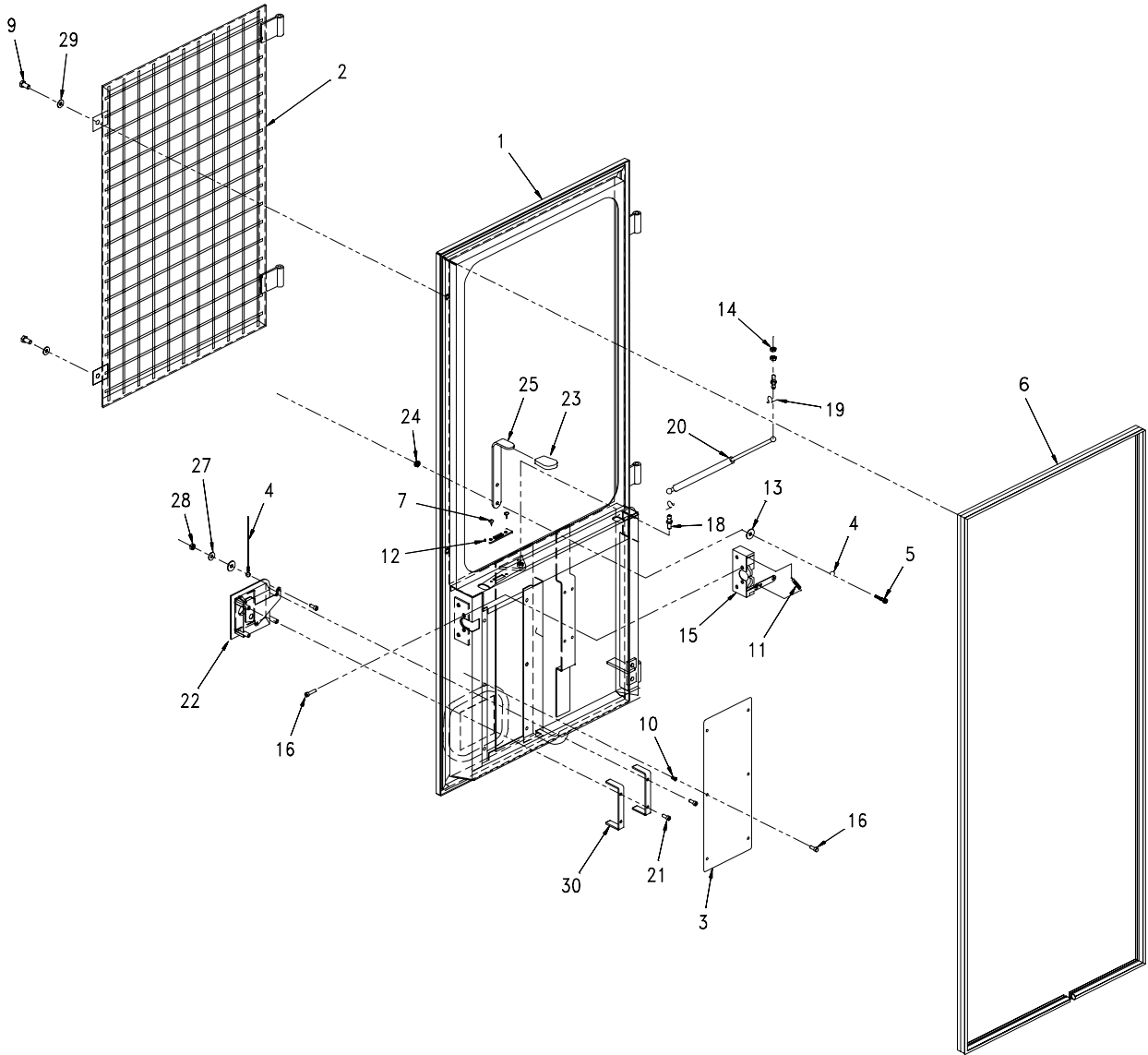


H668a04.dwg

## Screened Cab

Item	Part No.	Qty	Description	Item	Part No.	Qty	Description
	<b>R14463</b>		<b>Screened Cab</b>				
1	R13001	1	. Cab Weldment	52	R13052	31	. Washer
2	* R13091	1	. Door Assembly - RH (8-1.9)	53	R13053	2	. Cover, Speaker
3	* R10544	1	. Door Assembly - LH (8-1.9)	54	R13054	1	. Front Console Cover
4	R13093	1	. Front Window Frame	56	R13056	1	. Seat Plate
5	R13094	4	. Plug	57	R13057	44	. Bolt
7	R13095	1	. Screen, Front Side - LH	58	R13058	1	. Cover, Floor
9	R13096	1	. Screen, Rear Side - LH	59	R13059	1	. Cover, Floor
11	R13097	1	. Screen, Rear	60	R13060	1	. Floor Mat
12	R13098	1	. Screen, Rear Side - RH	61	R13061	1	. Panel, Side Console
13	R13013	1	. Screen, Front Side - RH	62	R13062	1	. Rear, Plate
19	R13019	1	. Filter Door	63	R13063	1	. Neophrane
20	R13139	6	. Bolt	64	R13064	A/R	. Spray Adhesive
21	R13021	2	. Door Retaining Strap	66	R13066	1	. Cover, Seat Support
23	R13023	1	. Cover, Dash - LH	67	R13067	1	. Cover, Lower Front
24	R13024	1	. Cover, Dash - RH	68	R13068	1	. Washer Nozzle Kit
25	R13025	24	. Bolt	69	R13069	1	. Grommet
26	R13026	24	. Washer	70	R13070	1	. Neoprene
27	R13027	4	. Washer	71	R13071	1	. Neoprene
28	R13028	1	. Operators Manual Holder	72	R13072	1	. Strip
29	R13029	4	. Bolt	73	R13073	1	. Strip
30	R13030	6	. Nut	74	R13074	1	. Decal
31	R13031	2	. Grab Handle, Door	75	R13075	1	. Serial No. Tag
32	R13140	4	. Bolt	76	R13076	2	. Pop Rivet
33	R13033	4	. Nut	77	R13077	1	. Plug
34	R13034	1	. Striker Weldment - LH	78	R13078	1	. Plug
35	R13035	1	. Shim, Striker Plate	79	R13079	1	. Visor
37	R13037	1	. Striker Bracket - RH	80	R13080	1	. Cover, Radio
38	R13038	1	. Shim, Striker	81	R13081	2	. Striker Gaurd
39	R13039	A/R	. Foam	82	R13082	2	. Nut
40	R13040	2	. Lens, Front Light	83	R13083	2	. Hinge
41	R13041	54	. Bolt	84	R13084	4	. Screw
42	R13042	4	. Washer	88	R13088	2	. Plug
43	R13043	1	. Wire Harness Cover	89	R13089	8	. Washer
44	R13044	17	. Rivnut	90	R13090	8	. Bolt
45	R13045	17	. Screw	91	R13145	4	. Nut
46	R13046	4	. Bolt	92	R13144	1	. Cover, Valve Console
47	R13047	26	. Rivnut	93	R13143	2	. Spacer Block
49	R13049	2	. Bolt	94	R13148	A/R	. Seal
50	R13050	2	. Striker				

Intentionally Blank



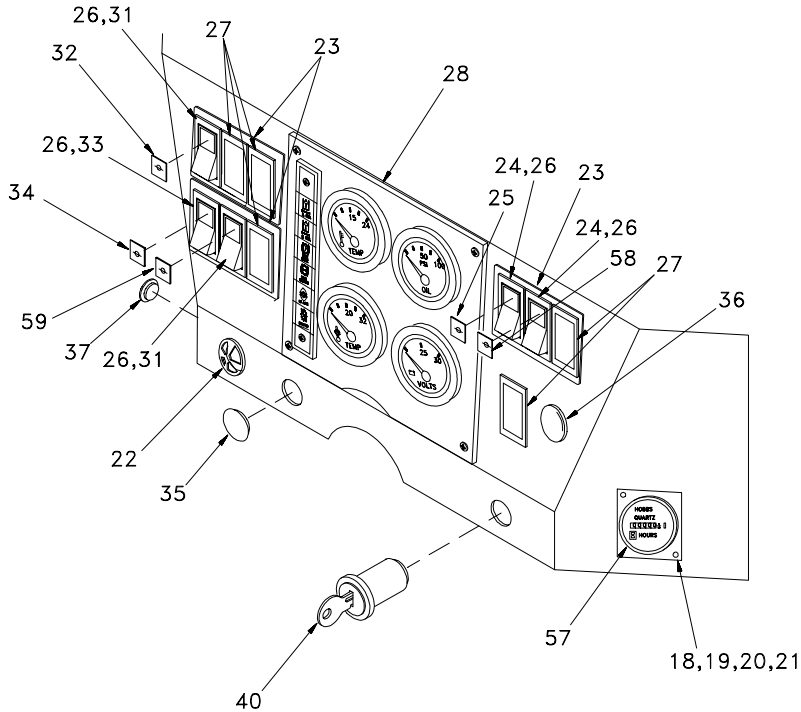
H668a05.dwg

### Screened Door Assembly

Item	Part No.	Qty	Description	Item	Part No.	Qty	Description
	<b>R13091</b>		<b>Door Assembly - RH</b>				
	<b>R10544</b>		<b>Door Assembly - LH</b>				
1	R13125	1	. Weldment, Door - RH	16	R13085	10	. Bolt
	R13101	1	. Weldment, Door - LH	18	*a R13114	2	. Stud
2	R13126	1	. Frame, Door Screen - RH	19	*a R13115	2	. Clip
	R13102	1	. Frame, Door Screen - LH	20	*a R13116	1	. Spring
3	R13129	1	. Cover, Padded	21	R13117	5	. Screw
4	R13104	1	. Cable	22	* R13118	1	. Handle (RH)
5	R13105	1	. Bolt		* R13128	1	. Handle (LH)
6	R13106	A/R	. Seal	23	R13119	1	. Grip
7	R13107	2	. Screw	24	R13120	1	. Nut
9	R13108	2	. Bolt	25	R13121	1	. Latch
10	R13047	6	. Rivnut	26	R13122	1	. Washer
11	R13109	1	. Spring	27	R13123	1	. Washer
12	R13110	1	. Door Bushing	28	R13082	1	. Washer
13	R13111	1	. Washer	29	R13124	2	. Washer
14	*a R13112	2	. Nut				
15	R13113	1	. Latch (R.H.)				
	R13127	1	. Latch (L.H.)				

\*a Last used Unit S/N 1611  
\* Uses 241288 Key

Intentionally Blank

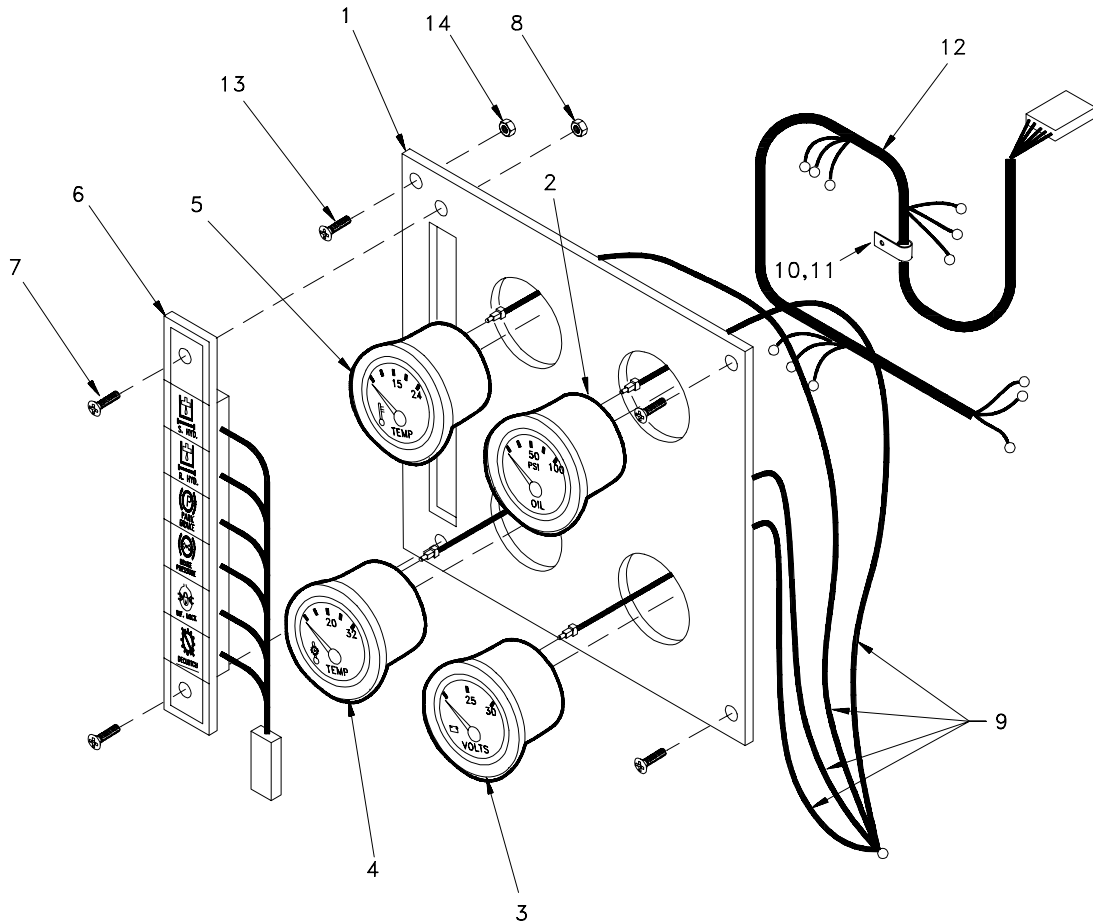


H668a06.dwg

### Dash Assembly

Item	Part No.	Qty	Description	Item	Part No.	Qty	Description
18	R2515307	1	Plate	35	R13826	1	Plug
19	R13809375	2	Mach Screw	36	R6513640	1	Button, Plug
20	R13803444	4	Nut	37	R696073	1	Button, Plug
21	R13809573	4	Washer	40	R13671	1	Switch, Ignition
22	R10547	1	Alarm, Buzzer		223270	1	. Key (Set of 2)
23	R13755	3	Frame	57	R2552367	1	Hourmeter
24	R13673	2	Switch	58	R13674	1	Symbol, Diff Lock
25	R14499	1	Symbol, Declutch	59	236486	1	Symbol, Light
26	*a R13780	5	Wire Assy	*b R11175	1	Symbol, Light	
27	R11179	5	Cover,blank				
28	* R13744	1	Instrument Panel Asm (8-2.2)				
31	R14498	2	Switch				
32	R11177	1	Symbol,light				
33	R13800	1	Switch				
34	R11174	1	Symbol, Light				

\*a Last used on Unit S/N 1615  
Note: location of items 22 and 36 are reversed on units up to S/N 1615  
\*b Used with optional side lighting package (R14555)



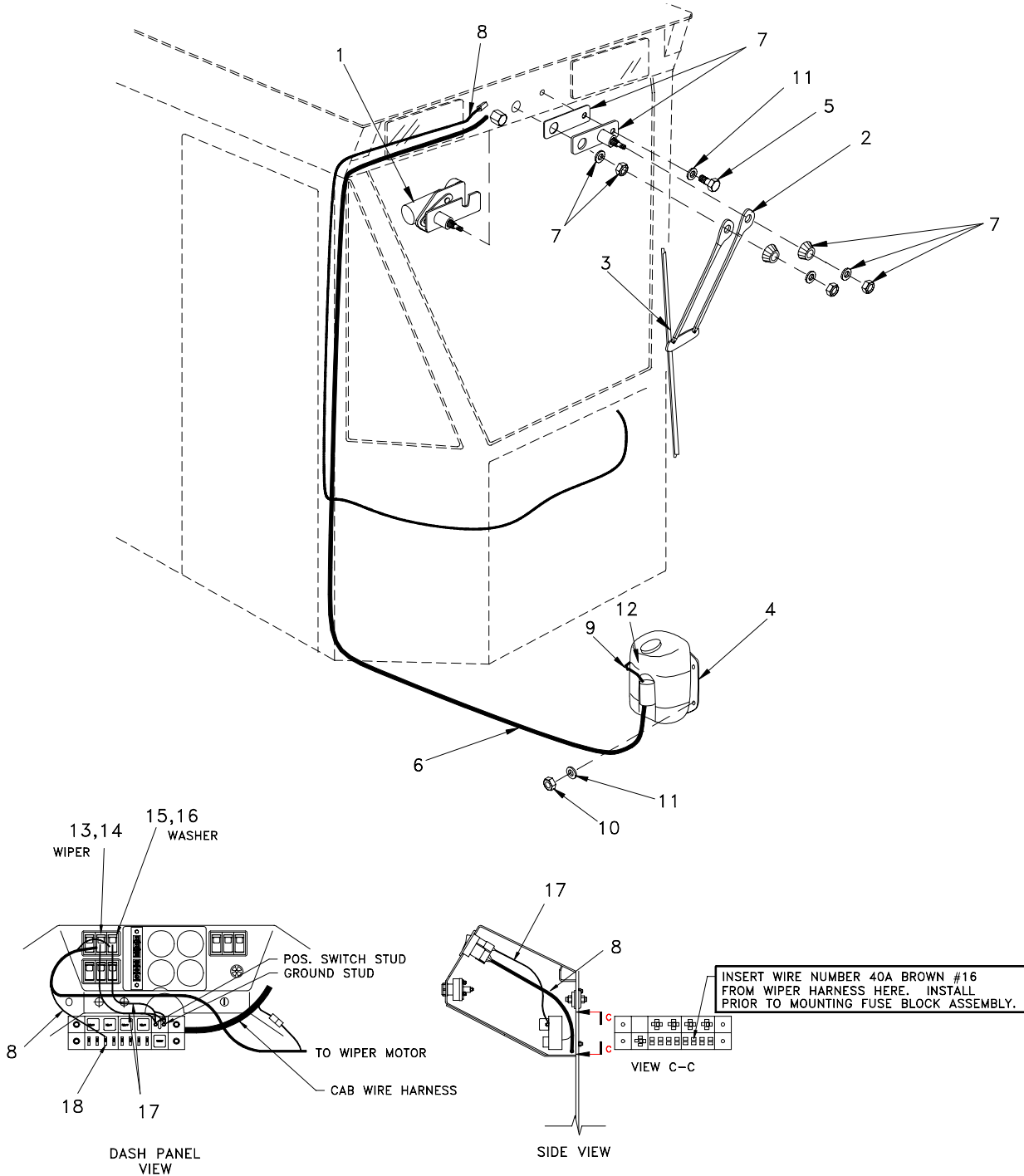
H668a07.dwg

### Instrument Panel Assembly

Item	Part No.	Qty	Description	Item	Part No.	Qty	Description
	<b>R13744</b>		<b>Instrument Panel Assembly</b>				
1	R13747	1	. Panel	8	R13803445	1	. Nut
2	*a 236407	1	. Gauge, Oil Pressure	9	*a R13768	4	. Light Assembly
	242438	1	. Gauge, Oil Pressure		R13769	1	. . Bulb and Socket
3	*a 236403	1	. Gauge, Voltmeter		R15935	4	. Light Assembly
	242439	1	. Gauge, Voltmeter	10	200499	1	. Clamp
4	*a R13749	1	. Gauge, Converter Temp	11	R13122	1	. Washer
	242437	1	. Gauge, Converter Temp	12	R13752	1	. Wire Harness
5	*a 236402	1	. Gauge, Water Temp	13	R189007	4	Capscrew
	242436	1	. Gauge, Water Temp	14	233880	4	Nut
6	R13746	1	. Light Strip				
	236676	6	. . Bulb, Light				
7	R13767	1	. Screw				

\*a Last used Unit S/N 1611



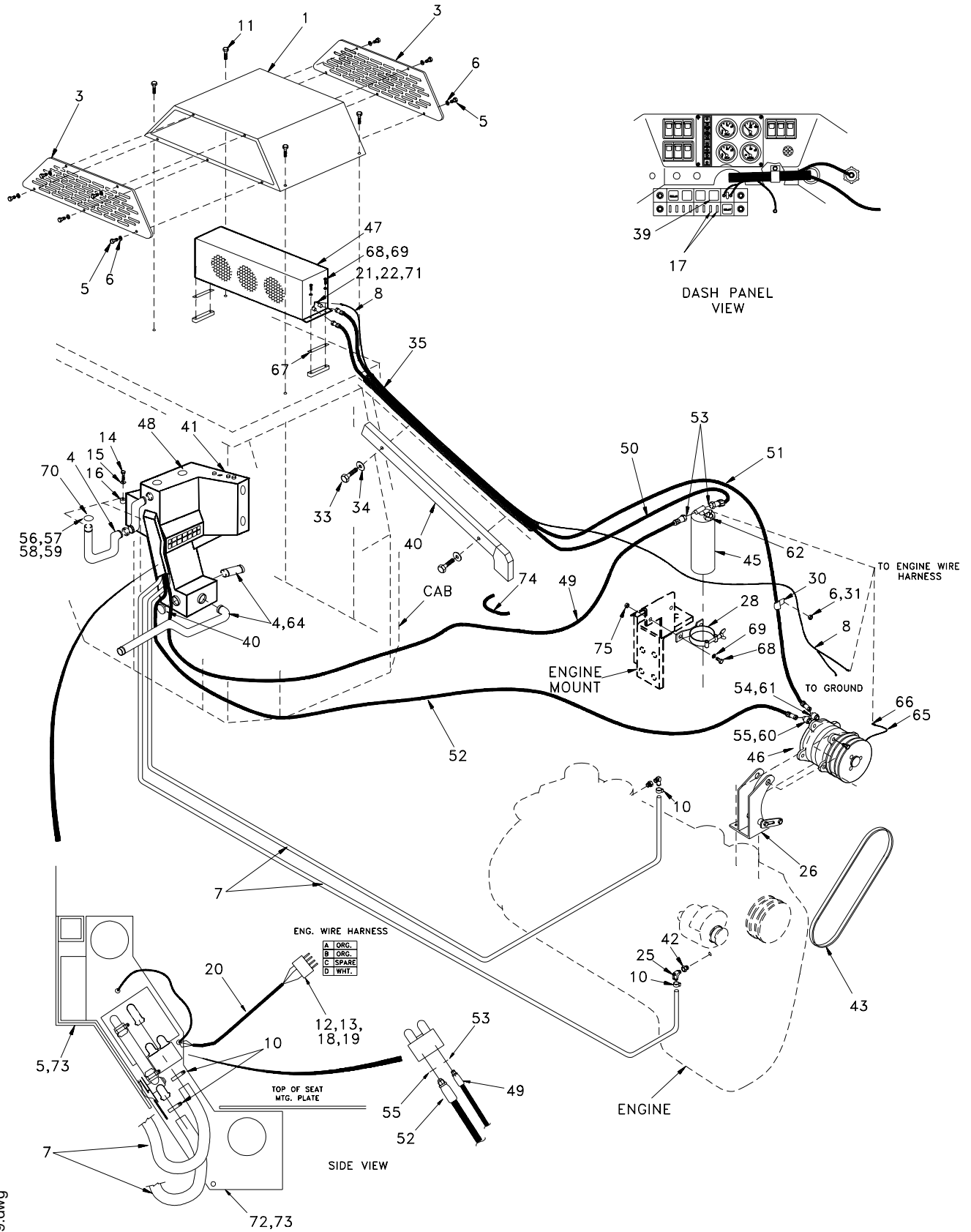


H668a08.dwg

### Wiper/Washer Installation

Item	Part No.	Qty	Description	Item	Part No.	Qty	Description
1	*a R13683	1	Motor & Drive	10	R13811189	4	Nut
	R15501	1	Motor & Drive	11	R13800826	5	Washer
2	R10708	1	Arm, Wiper	12	R11671	1	Decal
3	R10709	1	Blade, Wiper	13	R13783	1	Switch, Wiper
4	R13684	1	Washer Bottle/Pump	14	R11173	1	Symbol, Wiper
5	R13810814	1	Capscrew	15	R13656	1	Switch, 24V
6	234235	10'	Hose	16	R11172	1	Symbol, Washer
7	R1811441	1	Kit, Slave Pivot	17	*a R13780	2	Wire Assembly
8	*a R13779	1	Wire Harness	18	R740797	1	Fuse
	R15489	1	Wire Harness				
9	*a R11670	1	Wire Assembly				

\*a Last used on Unit S/N 1615



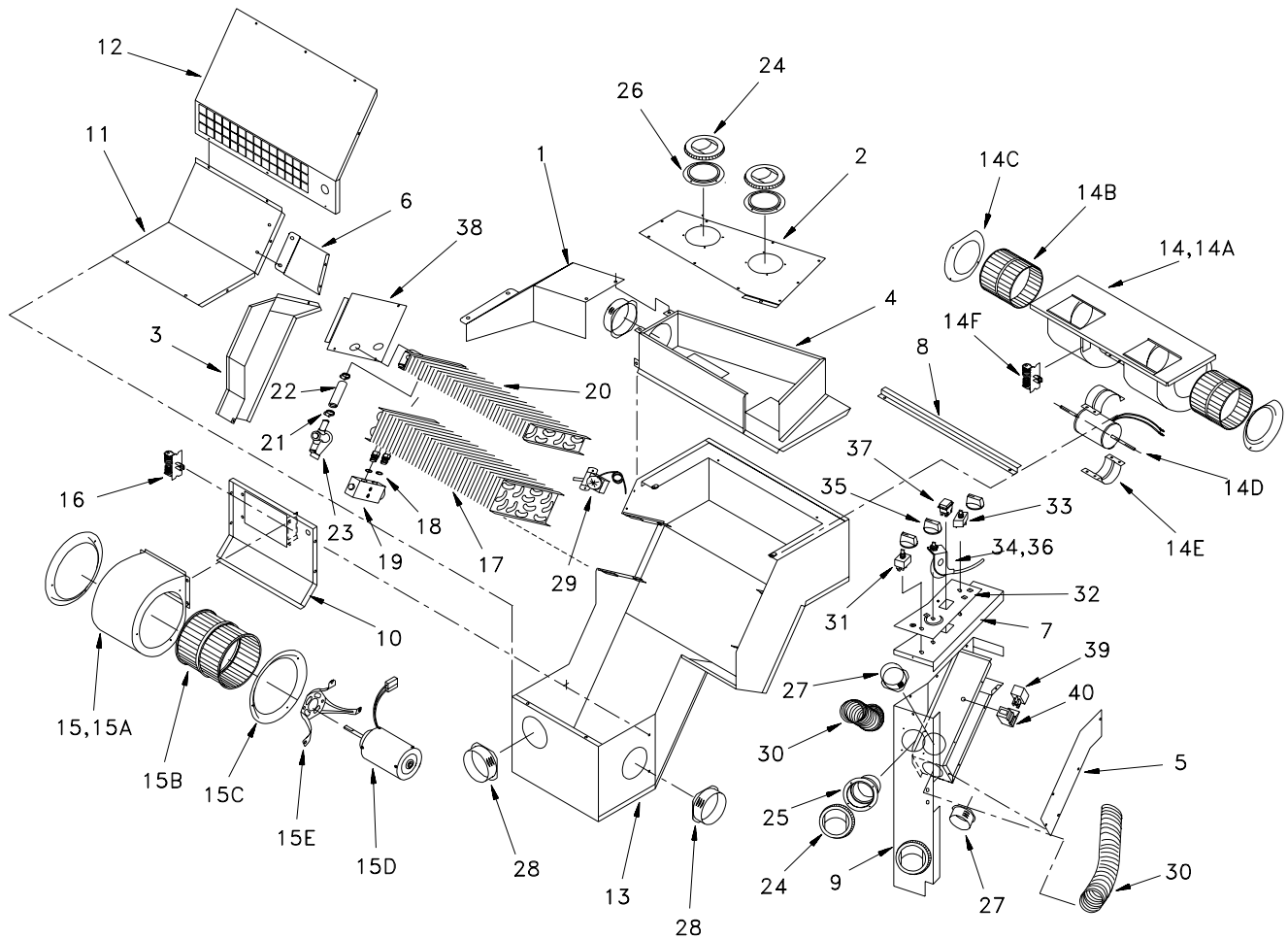
H668a09.dwg

## Air Conditioning/Heater Installation

Item	Part No.	Qty	Description	Item	Part No.	Qty	Description
1	R14575	1	Condenser Canopy	44	*a R13658	1	Kit, A/C, Heater
3	R14577	2	Grille	45	R10569	1	. Drier, Receiver
4	201456	8	Clamp, Hose	46	R14209	1	. Compressor
5	R13811035	13	Capscrew	47	* R14210	1	. Condenser, Air Cond (8-3.5)
6	R13811431	13	Washer	48	* R14211	1	. A/C Heater (8-3.4)
7	203190	30'	Hose, Heater	49	R10661	1	. Hose Asm
8	R11140	1	Wire Harness	50	R10660	1	. Hose Asm
10	R13803305	4	Clamp, Hose	51	R10659	1	. Hose Asm
11	R138011080	4	Capscrew	52	R10658	1	. Hose Asm
12	R740863	1	Seal, Cavity	53	R10662	4	. O-Ring
13	R740867	4	Seal, Wire	54	R10663	3	. O-Ring
14	R13805980	2	Capscrew	55	R10664	3	. O-Ring
15	R13812213	2	Washer	56	235048	4	. Screw
16	R550083	2	Nutsert	57	R10671	1	. Adapter
17	R14203	2	Fuse	58	R840286	1	. Louver
18	R740873	1	Connector	59	R11060	1	. Plate
19	R740882	3	Sleeve	60	R10572	1	. Fitting
20	219390	5	Loom		243825	1	. . Cap, Dust
21	R740885	1	Connector, Wire	61	R10571	1	. Fitting
22	R740865	2	Pin		243824	1	. . Cap, Dust
25	203274	1	Shutoff Valve	62	R10657	1	. Switch, Press
26	R10603	1	Bracket, Compressor Mtg	64	R10672	8'	Hose
27	R1939857	1	Bracket	65	R740864	1	Connector, Wire
28	R13805940	1	Clamp	66	R740866	1	Pin
	*b R15497	2	Clamp	67	R14711	1	Strip
30	R13808099	2	Clip	68	R13811011	6	Capscrew
31	R13811191	3	Nut	69	R13802914	6	Washer
32	R1736910	2	Strap, Tie	70	R13809446	4	Capscrew
33	R13811079	2	Capscrew	71	R740868	2	Seal, Wire
34	R13806871	2	Washer	72	R13811037	2	Capscrew
35	R13469	36'	Sleeve	73	R13811458	4	Washer
36	R1539058	4	Strap, Tie	74	225871	2'	Trim, Edge
39	R13661	1	Relay	75	232939	2	Nut
40	R14204	1	Cover, A/C Hoses				
41	R17038	2	Decal				
42	209504	1	Fitting				
43	R10776	1	Belt				

\*a Includes items 45-62

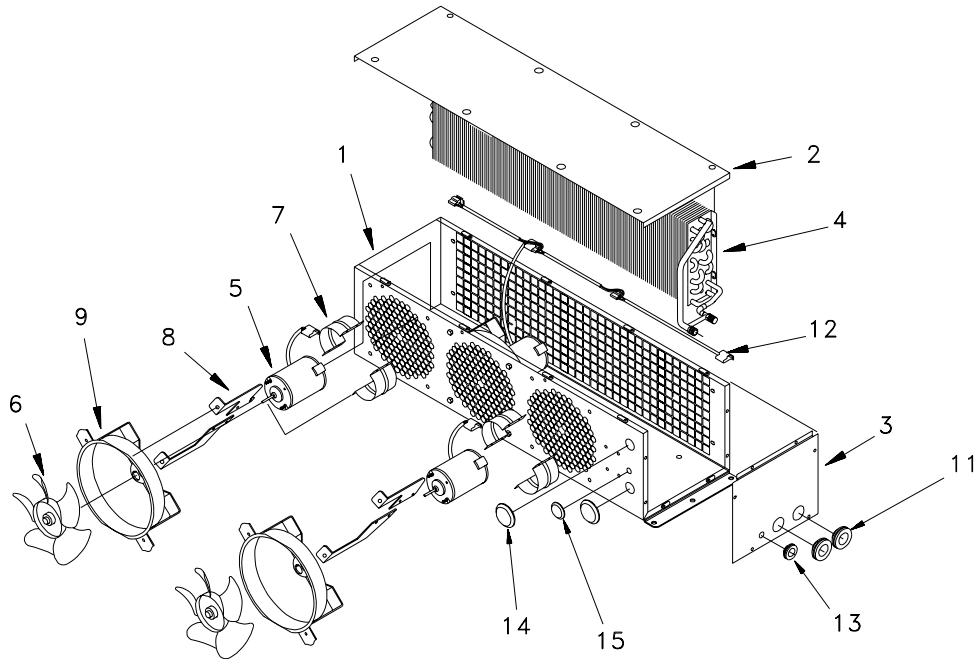
\*b First Used on Unit S/N 1616



H668a10.dwg

### Air Conditioner/Heater

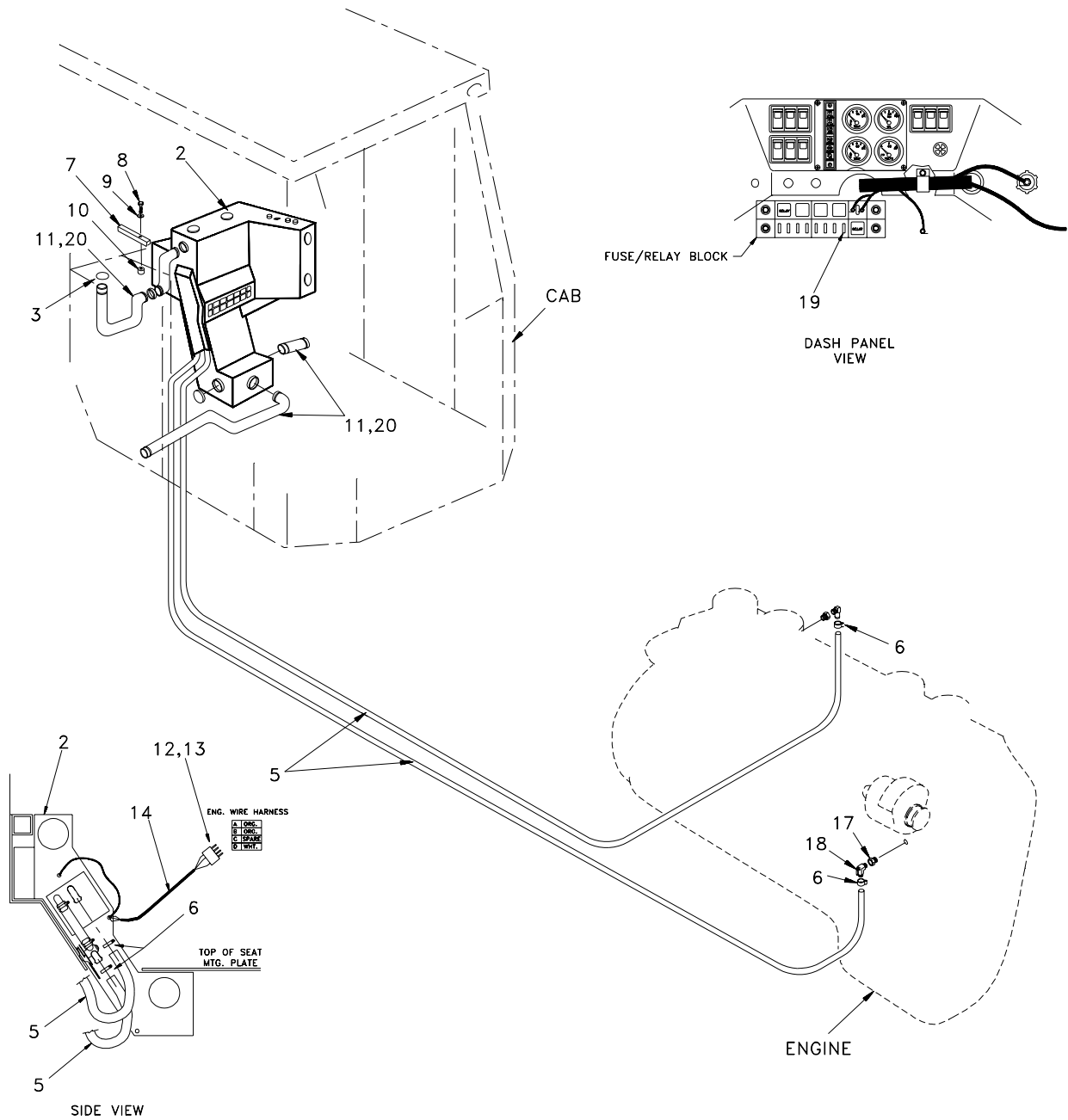
Item	Part No.	Qty	Description	Item	Part No.	Qty	Description
<b>R14211 Air Conditioner</b>							
1	R840268	1	. Hose Protector	16	R15073	1	. Resistor
2	R840269	1	. Top Cover	17	R840283	1	. Evaporator Coil
3	R840270	1	. Protection Cover	18	R10663	2	. O-Ring
4	R840271	1	. Air Chamber	19	R840284	1	. Block Valve
5	R840272	1	. Duct Front	20	R840285	1	. Heater Coil
6	R840273	1	. Bracket	21	R840159	2	. Gear Clamp
7	R840274	1	. Control Panel	22	R15072	1	. Hose
8	R840275	1	. Blower Bracket	23	R840081	1	. Control Valve
9	R840276	1	. Control Housing	24	R840286	4	. Louver
10	R840277	1	. Blower Plate	25	R840287	2	. Adapter
11	R840278	1	. Lower Cover	26	R840147	2	. Adapter
12	R840279	1	. Middle Cover	27	R840172	2	. Adapter
13	R840280	1	. Casing	28	R840173	3	. Adapter
14	R15085	1	. Blower	29	R840288	1	. Thermostat
14a	R15084	1	. . Blower Housing	30	R840289	2	. Hose
14b	R15083	2	. . Blower Wheel	31	R840290	1	. Switch (Blower)
14c	R15082	2	. . Venturi	32	R15180	1	. Decal
14d	R15081	1	. . Motor	33	R840292	1	. Switch (Fresh Air)
14e	R15080	2	. . Motor Mount	34	R15150	1	. Rotary Control
14f	R15073	1	. . Resistor	35	R15151	3	. Knob
15	R15079	1	. Blower	36	R15152	1	. Cable
15a	R15078	1	. . Blower Housing	37	R840296	1	. Switch (green)
15b	R15077	1	. . Wheel		R15859	1	. Switch (black)
15c	R15076	2	. . Venturi	38	R840297	1	. Cover
15d	R15075	1	. . Motor	39	239113	1	. Relay
15e	R15074	1	. . Motor Holder	40	R840299	1	. Socket



H668a11.dwg

### Condenser

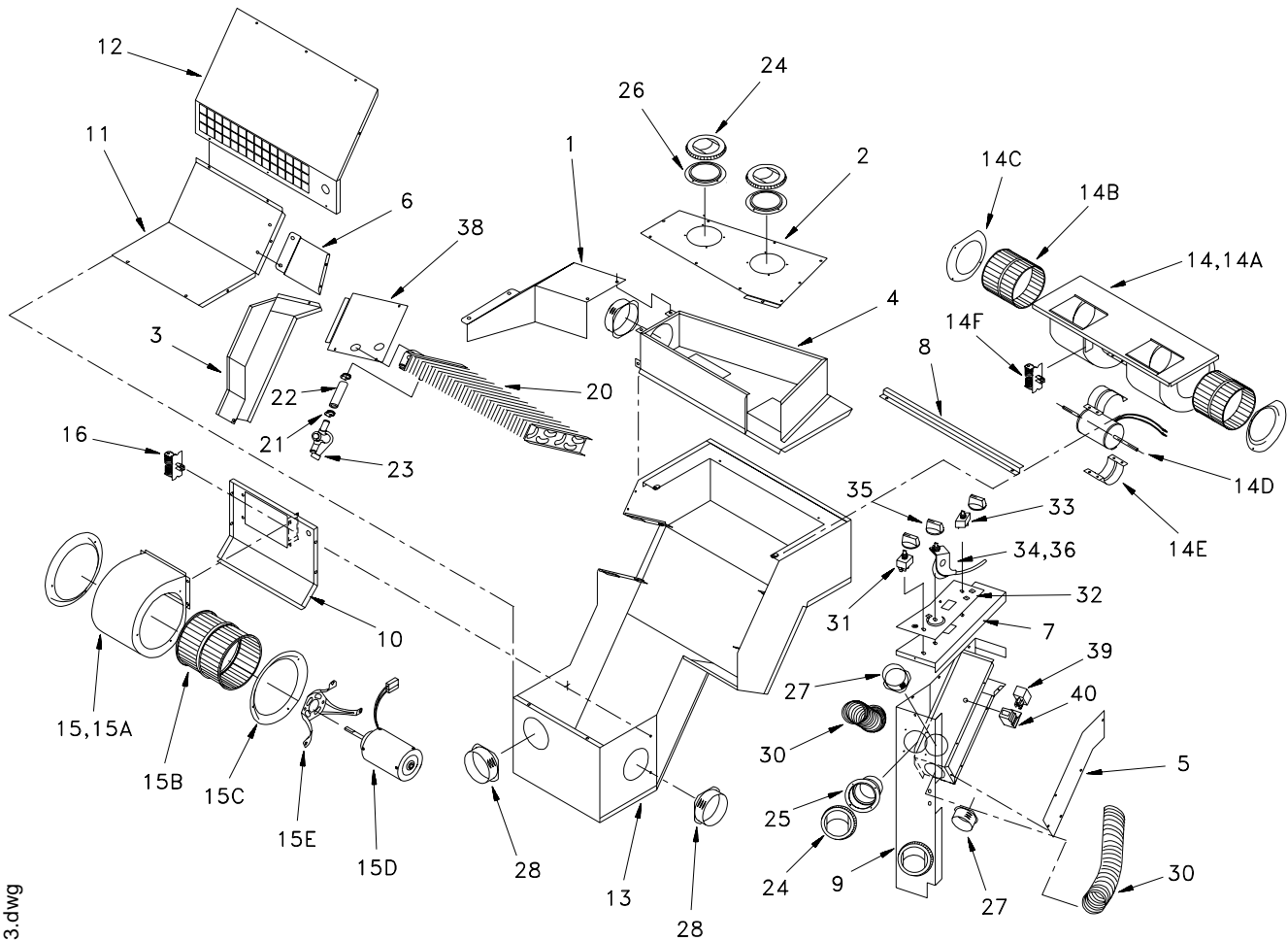
Item	Part No.	Qty	Description	Item	Part No.	Qty	Description
	<b>R14210</b>		<b>Condenser</b>				
1	R11716	1	. Casing	8	R15175	6	. Motor Support
2	R11717	1	. Cover	9	R11724	3	. Venturi Assembly
3	R11718	1	. Side Cover	11	R11726	2	. Grommet
4	R11719	1	. Condenser Coil	12	R15176	1	. Wiring Harness
5	R15075	3	. Motor	13	R15177	1	. Grommet
6	R11721	3	. Fan	14	R15178	2	. Plug
7	R11722	6	. Motor Mount	15	R15179	1	. Plug



H668a12.dwg

## Heater Installation

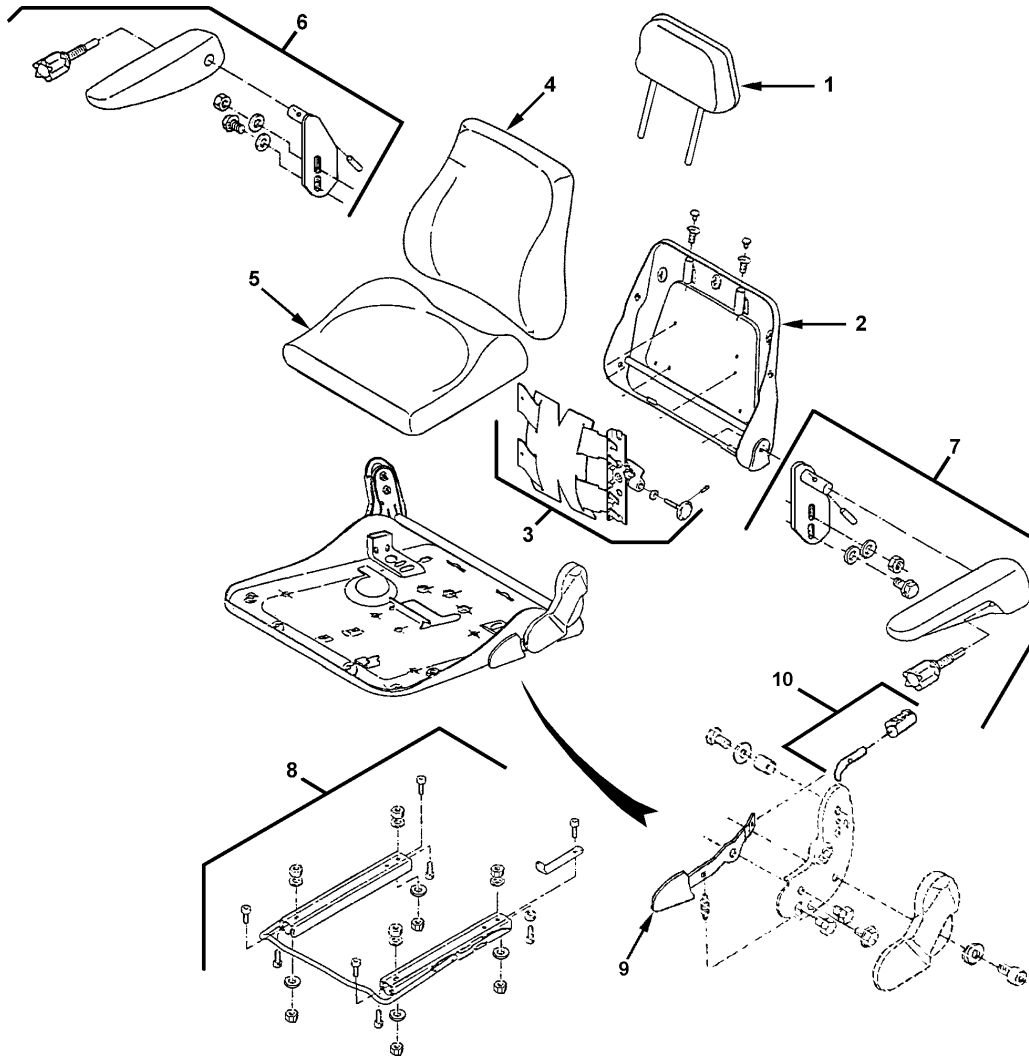
Item	Part No.	Qty	Description	Item	Part No.	Qty	Description
1	R14201	1	Heater Kit	11	R13803313	8	Clamp, Hose
2	* R14212	1	. Heater (8 - 3.7)	12	R740873	1	Connector
3	R840286	1	. Louver	13	R740882	3	Sleeve
5	203190	A/R	Hose, Heater	14	R740042	5	Loom
6	R13803305	4	Clamp	17	R13802219	1	Fitting
7	R11279	1	Plate	18	R552433	1	Shutoff Valve
8	R13805980	2	Capscrew	19	R14203	1	Fuse
9	R13812213	2	Washer	20	R10672	8'	Hose
10	R550083	2	Nutsert				



H668a13.dwg

## Heater Assembly

Item	Part No.	Qty	Description	Item	Part No.	Qty	Description
	<b>R14212</b>		<b>Heater Assembly</b>				
1	R840268	1	. Hose Protector	15c	R15076	2	. Venturi
2	R840269	1	. Top Cover	15d	R15075	1	. Motor
3	R840270	1	. Protection Cover	15e	R15074	1	. Motor Holder
4	R840271	1	. Air Chamber	16	R15073	1	. Resistor
5	R840272	1	. Duct Front	20	R840285	1	. Heater Coil
6	R840273	1	. Bracket	21	R840159	2	. Gear Clamp
7	R840274	1	. Control Panel	22	R15072	1	. Hose
8	R840275	1	. Blower Bracket	23	R840081	1	. Control Valve
9	R840276	1	. Control Housing	24	R840286	4	. Louver
10	R840277	1	. Blower Plate	25	R840287	2	. Adapter
11	R840278	1	. Lower Cover	26	R840147	2	. Adapter
12	R840279	1	. Middle Cover	27	R840172	2	. Adapter
13	R840280	1	. Casing	28	R840173	3	. Adapter
14	R15085	1	. Blower	30	R840289	2	. Hose
14a	R15084	1	. Blower Housing	31	R840290	1	. Switch (Blower)
14b	R15083	2	. Blower Wheel	32	R15180	1	. Decal
14c	R15082	2	. Venturi	33	R840292	1	. Switch (Fresh Air)
14d	R15081	1	. Motor	34	R15150	1	. Rotary Control
14e	R15080	2	. Motor Mount	35	R15151	3	. Knob
14f	R15073	1	. Resistor	36	R15152	1	. Cable
15	R15079	1	. Blower	38	R840297	1	. Cover
15a	R15078	1	. Blower Housing	39	239113	1	. Relay
15b	R15077	1	. Wheel	40	R840299	1	. Socket

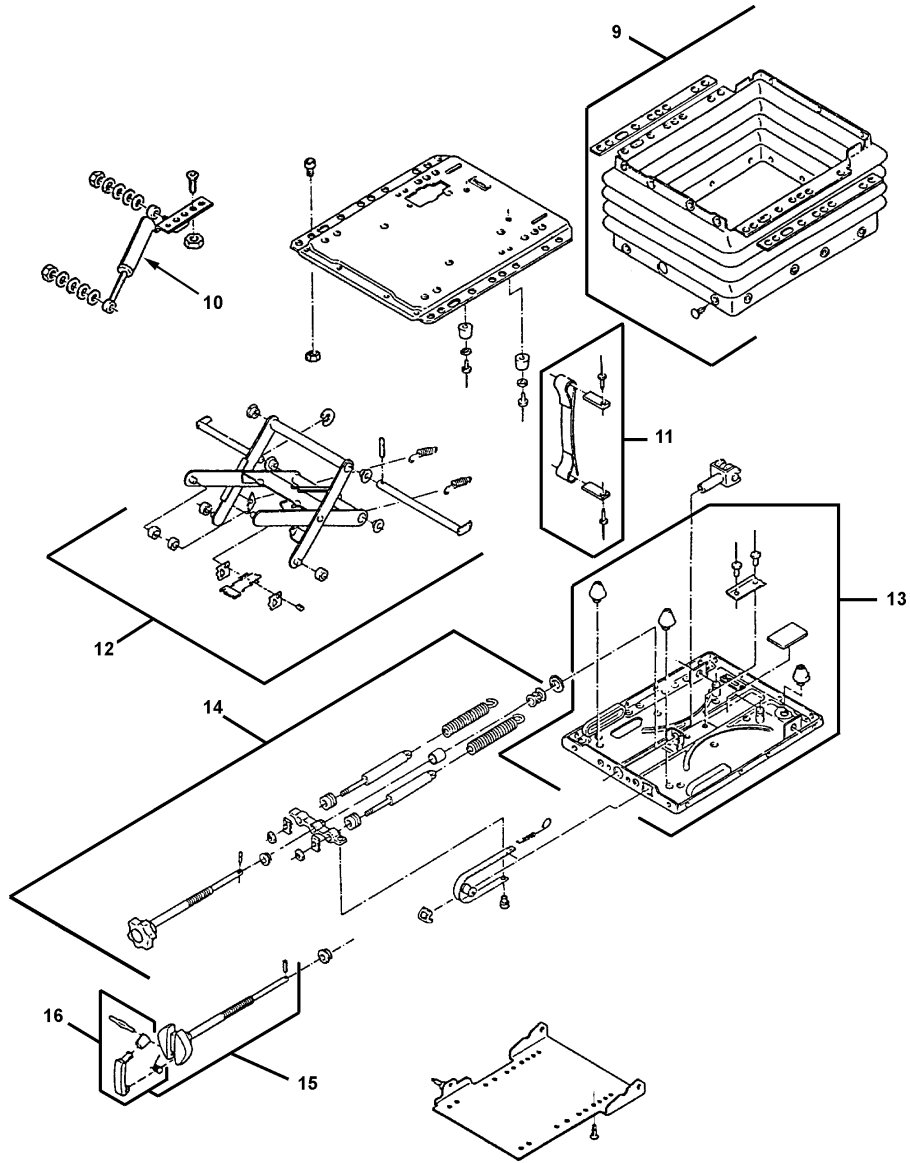


H668a14.pcx

### Seat Assembly

Item	Part No.	Qty	Description	Item	Part No.	Qty	Description
	<b>R11218</b>		<b>Seat Assembly</b>				
1	R15612	1	. Head Rest	6	R15616	1	. Arm Rest, RH
2	R15613	1	. Backrest Assembly	7	R15617	1	. Arm Rest, LH
3	R11225	1	.. Lumbar Kit	8	R15618	1	. Slide Rail Kit
4	R15614	1	. Cushion, Back	9	242810	1	. Lever
5	R15615	1	. Cushion, Seat	10	242809	1	. Bracket and Fitting

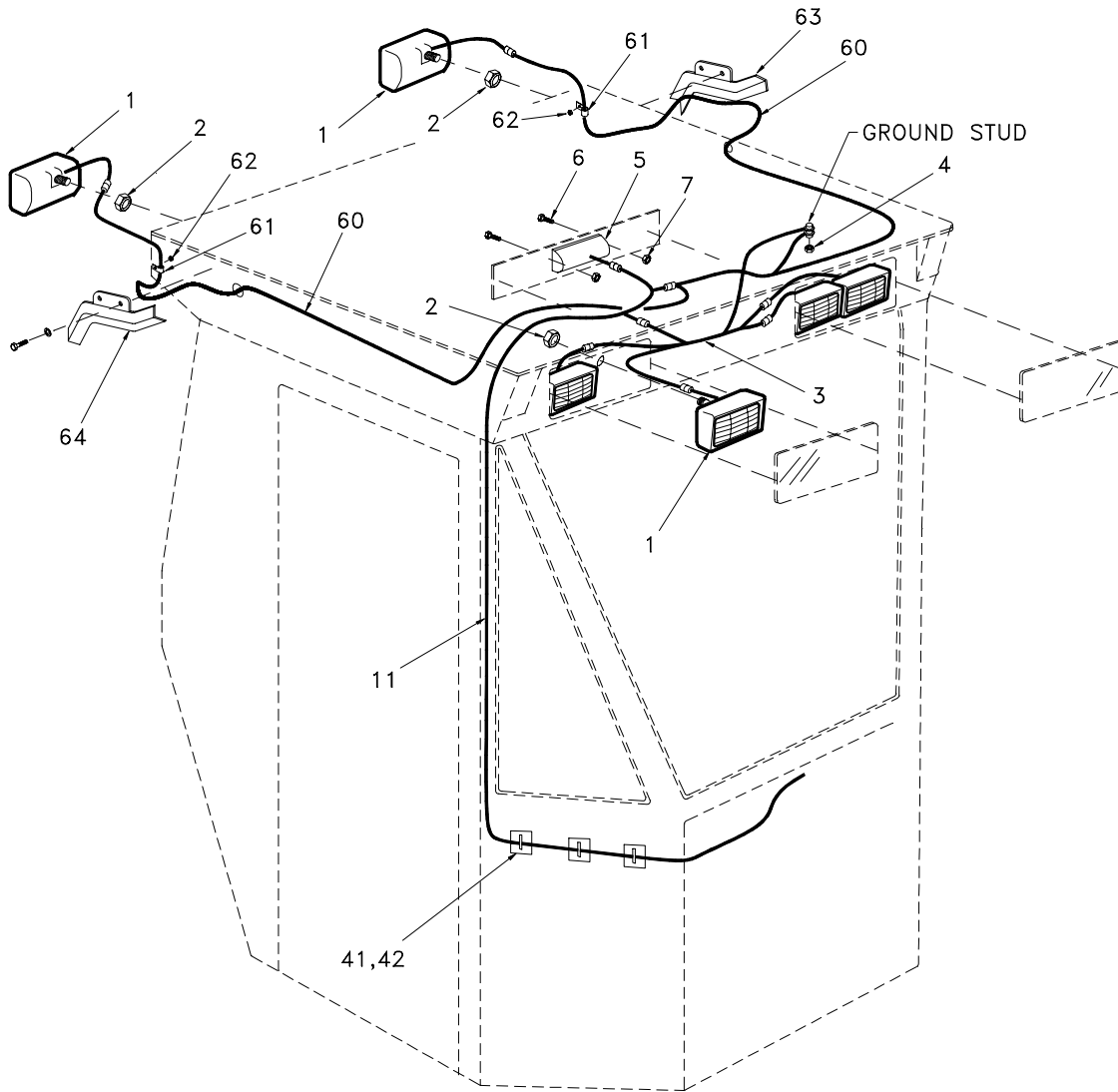




H668a15.pcx

### Seat Assembly

Item	Part No.	Qty	Description	Item	Part No.	Qty	Description
	<b>R11218</b>		<b>Seat Assembly</b>				
9	R15619	1	. Bellows Kit	13	R15622	1	. Lower Suspension
10	R15620	1	. Shock Absorber, Heavy Duty	14	R15623	1	. Shock Absorber Kit
11	R15621	1	. Tether Kit	15	R11243	1	. Weight Adjustment Kit
12	R11236	1	. Swing Arm Kit	16	R11244	1	. Crank

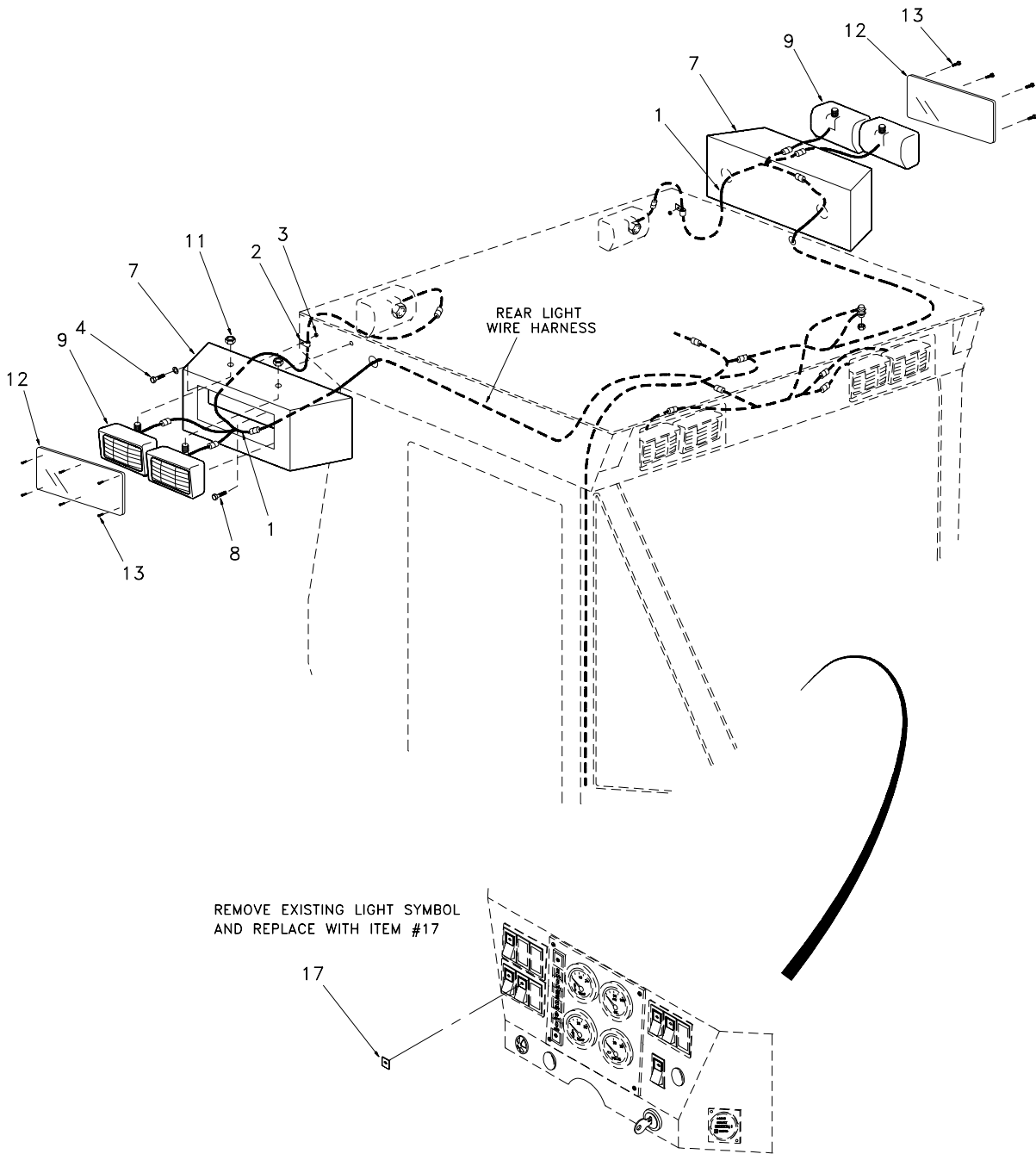


H668a16.dwg

### Cab Lighting

Item	Part No.	Qty	Description	Item	Part No.	Qty	Description
1	R13659	6	Light	41	220949	3	Mount
2	R11499	6	Nut	42	R13828	3	Tie Strap
3	R13799	1	Wire Harness	60	R14825	1	Wire Harness
4	R13807441	1	Nut	61	R13807642	2	Clip
5	R13792	1	Dome Light	62	R13811193	2	Nut
6	R13805587	4	Machine Screw	63	R14807	1	Cover
7	R13805118	6	Nut	64	R14808	1	Cover
11	*a R13801	1	Wire Harness, Cab				
	R15490	1	Wire Harness, Cab				

\*a Last used on Unit S/N 1615

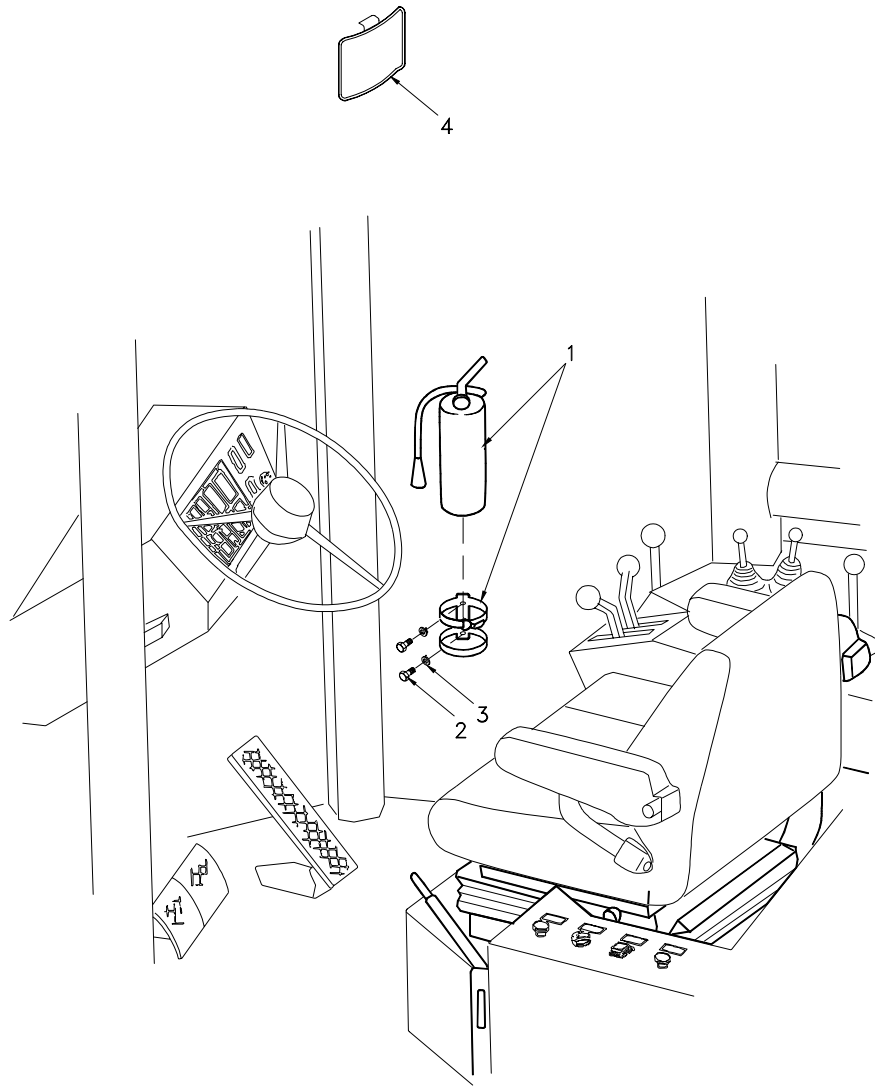


H668a17.dwg

### Auxiliary Lighting

Item	Part No.	Qty	Description	Item	Part No.	Qty	Description
1	R14841	1	Wire Harness	10	*a R552914	4	Spacer
2	R13807642	2	Clip	11	*a R11499	4	Nut
3	R13811193	2	Nut	12	*a R14560	2	Lens
4	R13811076	2	Capscrew	13	*a R13041	12	Machine Screw
7	*a R14556	2	Box	17	*a R11175	1	Symbol, Light
8	*a R13811075	6	Capscrew				
9	*a R13659	4	Light				

\*a Included in Aux. Lighting Kit P/N R14555



H668a18.dwg

### Fire Extinguisher / Mirror Installation

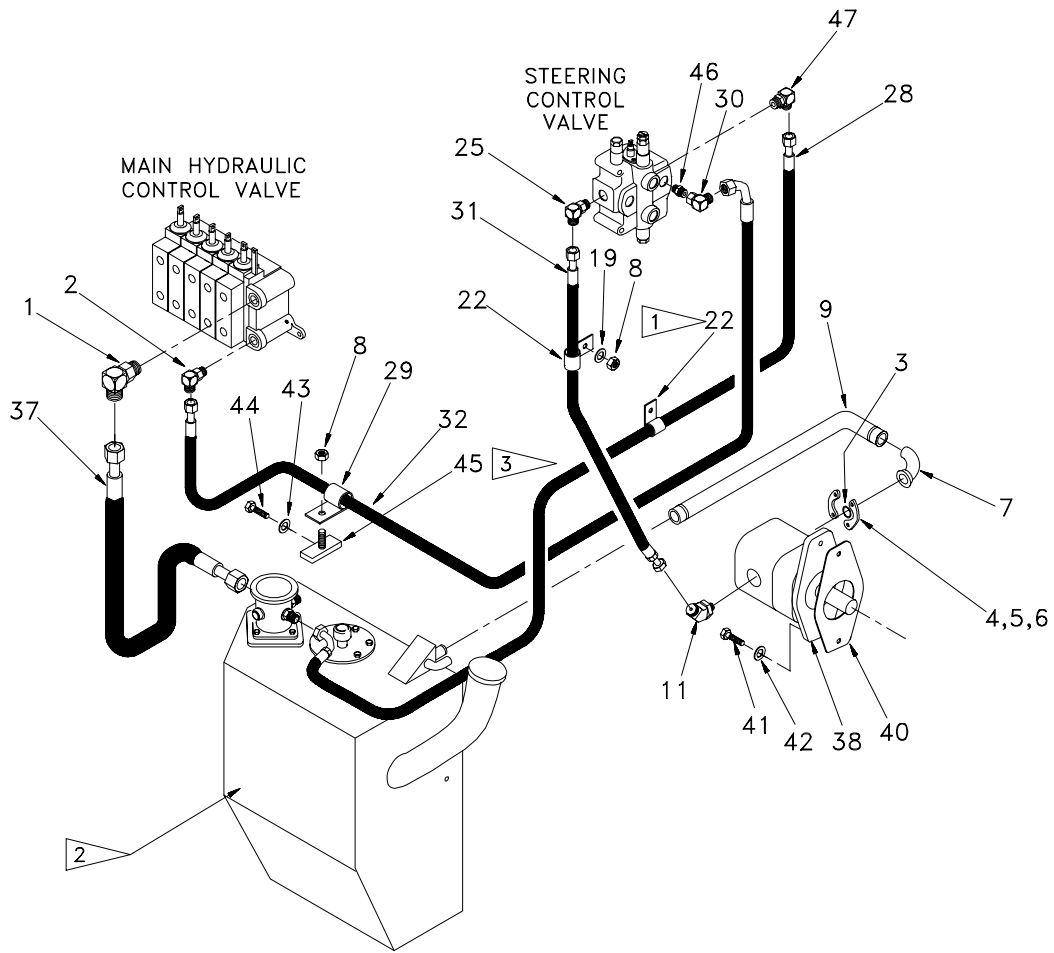
Item	Part No.	Qty	Description	Item	Part No.	Qty	Description
1	229304	1	Fire Extinguisher	3	R13800826	8	Washer
	229303	1	Bracket	4	R10819	1	Mirror
2	R13810991	8	Capscrew				

## Section 9

# Hydraulic System

<b>Page No.</b>	<b>Description</b>
<b>9-1</b>	<b>Systems and Circuits</b>
9-1.1	Common Hydraulic System
9-1.2	Hi-Vis Hydraulic System
9-1.4	Single Arch Hydraulic System
9-1.10	Standard Winch Hydraulics
9-1.12	Hydraulic Oil Cooler
9-1.14	Hydraulic Test Ports
9-1.15	Blade Hydraulics
9-1.16	Hydraulic Tank
<b>9-2</b>	<b>Pumps and Motors</b>
9-2.1	Main Hydraulic Pump
9-2.2	Hydraulic Pump
9-2.3	Grapple Hydraulic Motor
<b>9-3</b>	<b>Valves</b>
9-3.1	Grapple Hydraulic Control Valve Installation
9-3.4	Grapple Hydraulic Control Valve Assembly
9-3.6	Cable Hydraulic Control Valve Installation
9-3.7	Cable Hydraulic Control Valve Assembly
9-3.8	Check Valve
-----	Steering Control Valve - See Section 6-2
<b>9-4</b>	<b>Cylinders</b>
9-4.1	Blade and Steering Cylinder
9-4.2	Grapple Arch Cylinder
9-4.3	Grapple Cylinder
<b>9-5</b>	<b>Filters</b>
9-5.1	Return Filter
<b>9-6</b>	<b>Miscellaneous</b>
9-6.1	Accumulator

Intentionally Blank

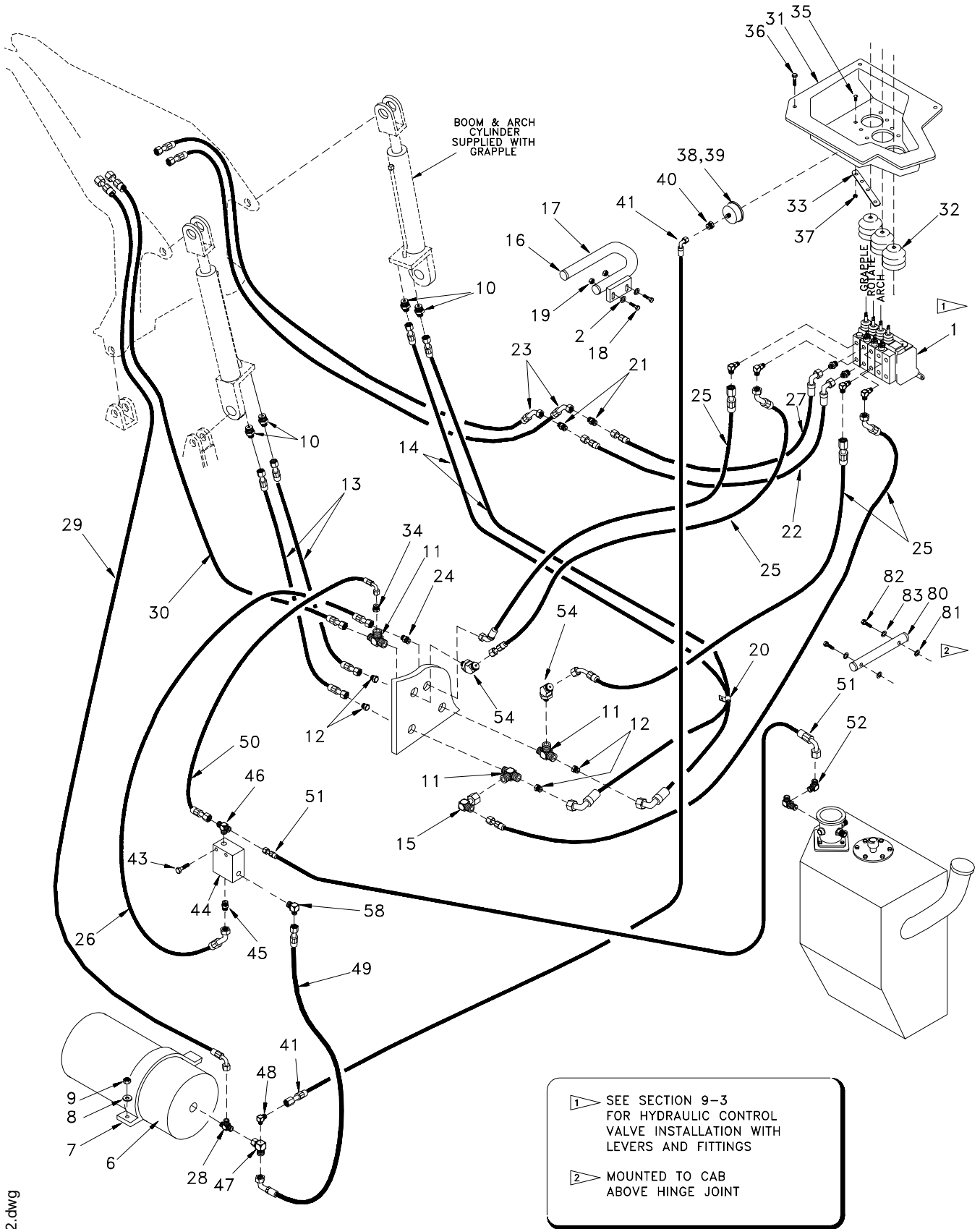


- 1 MOUNTED TO CONVERTER COVER
- 2 SEE HYDRAULIC TANK ASSEMBLY
- 3 MOUNTED TO TRANSMISSION

H669a01.dwg

### Common Hydraulic System

Item	Part No.	Qty	Description	Item	Part No.	Qty	Description
1	R14513	1	Fitting	29	R13805003	5	Clip
2	R11760	1	Fitting	30	R13801464	1	Fitting
3	R13802765	1	O-Ring	31	230741	1	Hose Assembly
4	R13802239	2	Clamp	32	230698	1	Hose Assembly
5	R13802576	4	Washer	37	R12612	1	Hose Assembly
6	R13801842	4	Capscrew	38	* R14410	1	Hydraulic Pump (9-2.1)
7	205207	1	Tube	40	R762746	1	Gasket
8	R13807441	3	Nut	41	R13811075	2	Capscrew
9	R14291	1	Hose	42	R13802576	2	Washer
10	R13809969	2	Clamp	43	R13806996	1	Washer
11	209147	1	Fitting	44	R13811059	1	Capscrew
19	R13811431	10	Washer	45	R14458	1	Bracket
22	R13805003	5	Clip	46	R13807498	1	Fitting
25	507535	1	Fitting	47	R13807511	1	Fitting
28	R12611	1	Hose Assembly				



H669a02.dwg

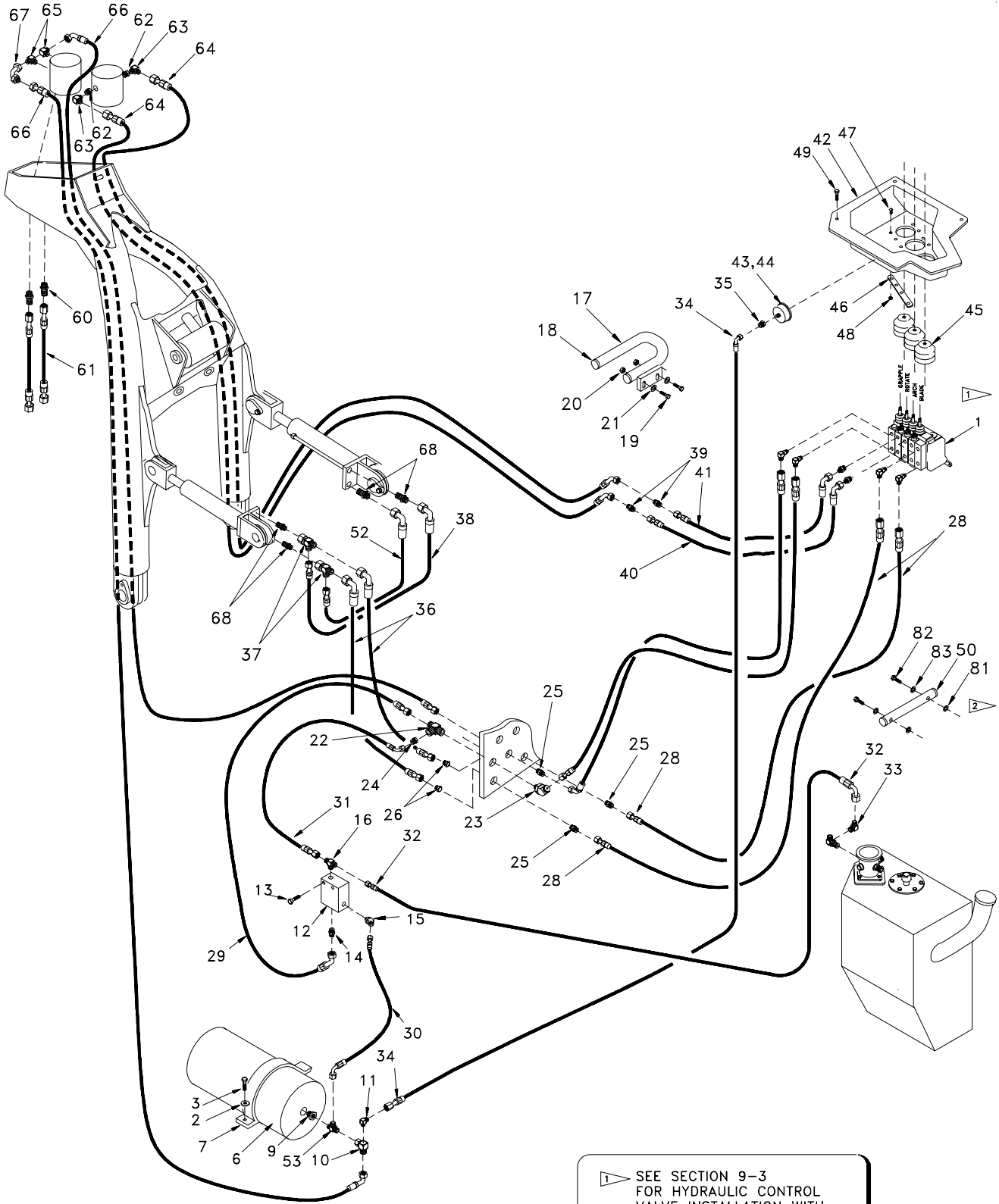


## Hi Vis Hydraulic System

Item	Part No.	Qty	Description	Item	Part No.	Qty	Description
1	*,*a R14402	1	Hydraulic Valve Assembly (9-3.1)	31	R14538	1	Cover
	*,*b R15633	1	Hydraulic Valve Assembly (9-3.1)	32	R1933522	3	Bellows
2	R13811431	2	Washer	33	R14596	1	Plate
4	R12575959	6	Trim	34	R832034	1	Fitting
5	R14450	2	Trim	35	R250210	6	Machine Screw
6	*,*a R14395	1	Accumulator (9-6.1)	36	R13041	4	Capscrew
	*,*a R15543	1	Accumulator (9-6.2)	37	R13811189	6	Nut
7	*a R14397	2	Clamp	38	R14618	1	Gauge
	*b R16216	2	Clamp	39	R13809575	2	Washer
8	R13802628	8	Washer	40	209776	1	Fitting
9	R13807781	8	Capscrew	41	R14619	1	Hose Assembly
10	209069	4	Fitting	42	R14616	1	Guard
11	R12578057	2	Fitting	43	R13800200	2	Capscrew
12	210767	4	Fitting	44	* R12600000	1	Valve, Check (9-3.10)
13	R12048	2	Hose Assembly	45	209215	2	Fitting
14	R14259	2	Hose Assembly	46	R13807532	1	Fitting
15	209166	1	Fitting	47	R14438	1	Fitting
16	R1906697	2	Plug	48	209486	1	Fitting
17	R14447	1	Bracket	49	R12047	1	Hose Assembly
18	R13811037	2	Capscrew	50	R12041	1	Hose Assembly
19	R13807441	2	Nut	51	R12042	1	Hose Assembly
20	R13810030	1	Clamp	52	R1938847	1	Fitting
21	R14398	2	Fitting	53	R1034034	1	Button, Plug
22	R12130	1	Hose Assembly	54	214219	2	Fitting
23	R12052	2	Hose Assembly	58	209485	1	Fitting
24	R13803393	1	Fitting	80	R14616	1	Hose Gaurd
25	R12310	4	Hose Assembly	81	R1935313	2	Spacer
26	R13485	1	Hose Assembly	82	R13801813	2	Capscrew
27	R14621	1	Hose Assembly	83	R13812514	2	Washer
28	209087	1	Fitting				
29	R14622	1	Hose Assembly				
30	R12305	1	Hose Assembly				

\*a Last used on Unit S/N 1611

\*b First used on Unit S/N 1612

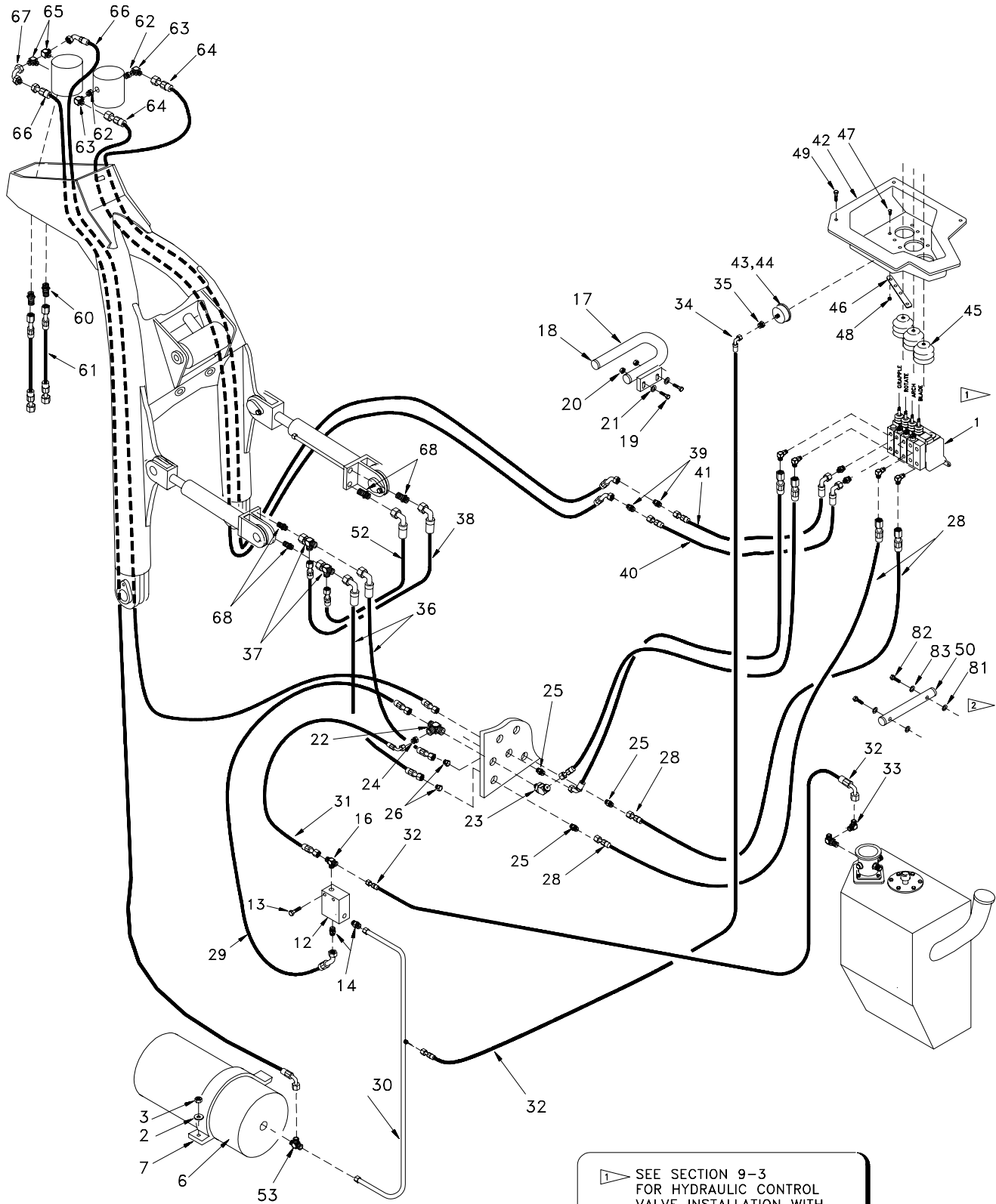


▸ SEE SECTION 9-3  
 FOR HYDRAULIC CONTROL  
 VALVE INSTALLATION WITH  
 LEVERS AND FITTINGS  
  
 ▸ MOUNTED TO CAB  
 ABOVE HINGE JOINT

H669a03.dwg

## Single Arch Grapple Hydraulic System

Item	Part No.	Qty	Description	Item	Part No.	Qty	Description
1	* R14402	1	Hydraulic Valve Assembly (9-3.1)	35	R14623	1	Fitting
2	R13802628	8	Washer	36	R12048	2	Hose Assembly
3	R13807781	8	Capscrew	37	R13801594	2	Fitting
4	R12575959	1	Trim,Edge	38	R12049	1	Hose Assembly
5	R14450	3	Trim,Edge	39	R14398	2	Fitting
6	* R14395	1	Accumulator (9-6.1)	40	R12130	1	Hose Assembly
7	R14397	2	Clamp	41	R14621	1	Hose Assembly
9	209164	1	Fitting	42	R15096	1	Cover
10	R14438	1	Fitting Rework	43	R14618	1	Gauge
11	R13801970	1	Fitting	44	R13847	2	Nut
12	* R12600000	1	Valve, Check (9-3.8)	45	R1933522	3	Bellows
13	R13800200	2	Capscrew	46	R14596	1	Plate
14	R13801720	1	Fitting	47	R250210	6	Machine Screw
15	R13802178	1	Fitting	48	R13811189	6	Nut
16	R13807532	1	Fitting	49	R13041	4	Machine Screw
17	R14447	1	Bracket	50	R14616	1	Hose Guard
18	R1906697	2	Plug	51	R1034034	1	Button, Plug
19	R13811037	2	Capscrew	52	R14259	1	Hose Assembly
20	R13807441	2	Nut	53	R13801596	1	Fitting
21	R13811431	4	Washer	54	R13597	2	Fitting
22	R12578057	1	Fitting	60	R731794	2	Fitting
23	R13801539	1	Fitting	61	R13514	2	Hose Assembly
24	R832034	1	Fitting	62	R15186	2	Fitting Assembly
25	R13803393	2	Fitting	63	R13801972	2	Fitting
26	R13801291	2	Fitting	64	R12137	2	Hose Assembly
27	17707	1	Fitting	65	R1300294	2	Fitting
28	R12310	4	Hose Assembly	66	R12057	2	Hose Assembly
29	R13485	1	Hose Assembly	67	R13801462	1	Fitting
30	R12047	1	Hose Assembly	68	R12002476	4	Fitting
31	R12041	1	Hose Assembly	81	R1935313	2	Spacer
32	R12042	1	Hose Assembly	82	R13801813	2	Capscrew
33	R1938847	1	Fitting	83	R13812514	2	Washer
34	R14619	1	Hose Assembly				



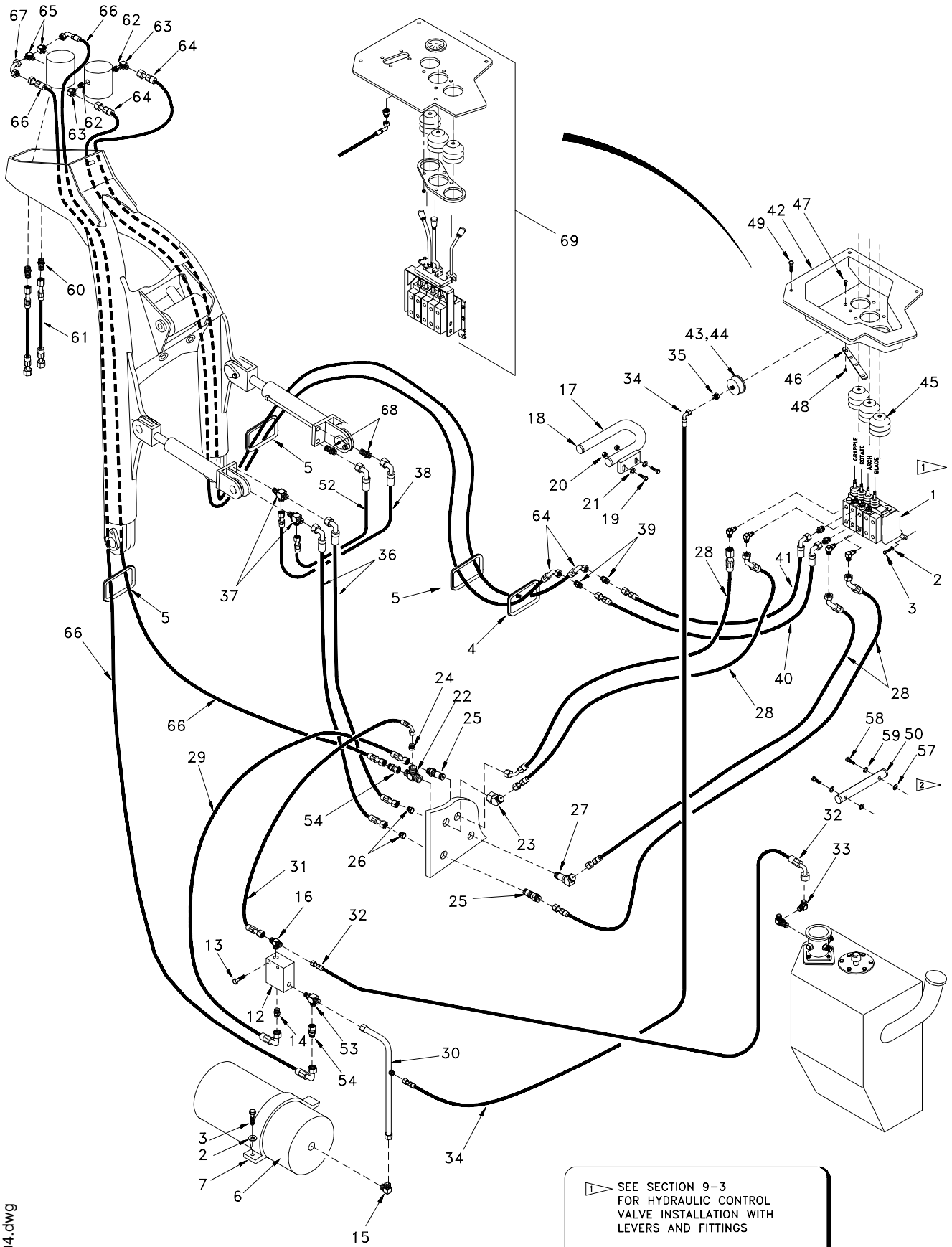
1 SEE SECTION 9-3  
FOR HYDRAULIC CONTROL  
VALVE INSTALLATION WITH  
LEVERS AND FITTINGS

2 MOUNTED TO CAB  
ABOVE HINGE JOINT

## Single Arch Grapple Hydraulic System

Item	Part No.	Qty	Description	Item	Part No.	Qty	Description
1	* R15633	1	Hydraulic Valve Assembly (9-3.1)	35	R14623	1	Fitting
2	R13802628	8	Washer	36	R12048	2	Hose Assembly
3	R13807781	8	Capscrew	37	R13801594	2	Fitting
4	R12575959	1	Trim,Edge	38	R12049	1	Hose Assembly
5	R14450	3	Trim,Edge	39	R14398	2	Fitting
6	* R15543	1	Accumulator (9-6.1)	40	R12130	1	Hose Assembly
7	R16216	2	Clamp	41	R14621	1	Hose Assembly
9	209164	1	Fitting	42	R15096	1	Cover
10	R14438	1	Fitting Rework	43	R14618	1	Gauge
11	R13801970	1	Fitting	44	R13847	2	Nut
12	* R12600000	1	Valve, Check (9-3.8)	45	R1933522	3	Bellows
13	R13800200	2	Capscrew	46	R14596	1	Plate
14	209215	1	Fitting	47	R250210	6	Machine Screw
15	209490	1	Fitting	48	R13811189	6	Nut
16	R13807532	1	Fitting	49	R13041	4	Machine Screw
17	R14447	1	Bracket	50	R14616	1	Hose Guard
18	R1906697	2	Plug	51	R1034034	1	Button, Plug
19	R13811037	2	Capscrew	52	R14259	1	Hose Assembly
20	R13807441	2	Nut	53	R13801596	1	Fitting
21	R13811431	4	Washer	54	R13597	2	Fitting
22	R12578057	1	Fitting	60	R731794	2	Fitting
23	214219	1	Fitting	61	R13514	2	Hose Assembly
24	R832034	1	Fitting	62	11044	2	Fitting Assembly
25	R13803393	2	Fitting	63	R1319807	2	Fitting
26	210767	2	Fitting	64	R12137	2	Hose Assembly
27	17707	1	Fitting	65	R1300294	2	Fitting
28	R12310	4	Hose Assembly	66	R12057	2	Hose Assembly
29	R13485	1	Hose Assembly	67	R13801462	1	Fitting
30	R15688	1	Tube Assembly	68	R12002476	4	Fitting
31	R12041	1	Hose Assembly	81	R1935313	2	Spacer
32	R12042	1	Hose Assembly	82	R13801813	2	Capscrew
33	R1938847	1	Fitting	83	R13812514	2	Washer
34	R14619	1	Hose Assembly				

First used Unit S/N 1612



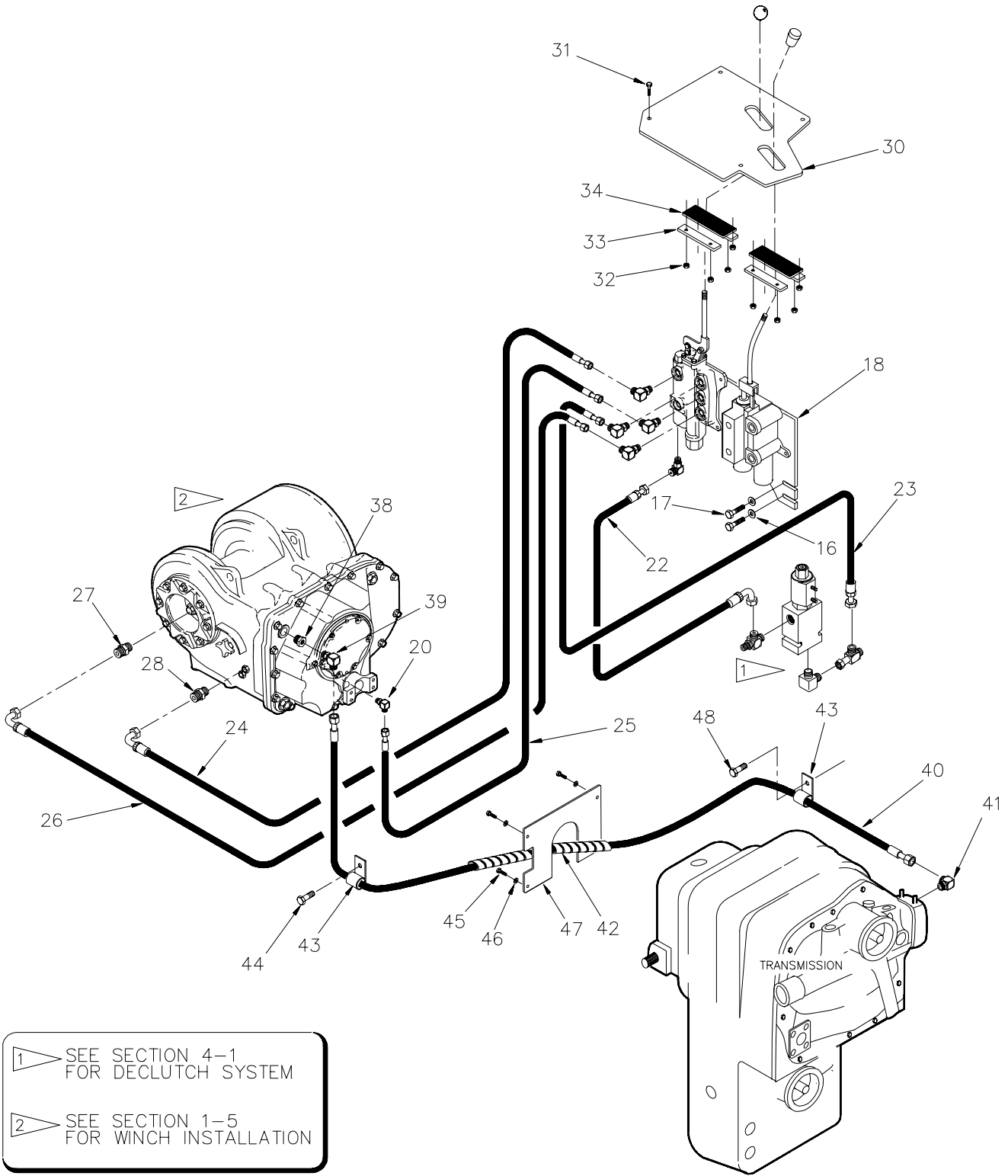
1 SEE SECTION 9-3  
FOR HYDRAULIC CONTROL  
VALVE INSTALLATION WITH  
LEVERS AND FITTINGS

2 MOUNTED TO CAB  
ABOVE HINGE JOINT

H669b04.dwg

## Single Arch Grapple Hydraulic System

Item	Part No.	Qty	Description	Item	Part No.	Qty	Description
1	* R15633	1	Hydraulic Valve Assembly (9-3.1)	37	214316	2	Fitting
2	R13802628	8	Washer	38	R12049	1	Hose Assembly
3	223687	8	Capscrew	39	209438	2	Fitting
4	R12575959	2'	Trim,Edge	40	R12130	1	Hose Assembly
5	R14450	3'	Trim,Edge	41	R14621	1	Hose Assembly
6	* R15543	1	Accumulator (9-6.1)	42	R15096	1	Cover
7	R16216	2	Clamp	43	R14618	1	Gauge
12	* R12600000	1	Valve, Check (9-3.6)	44	R13809575	2	Washer
13	201612	2	Capscrew	45	R1933522	3	Bellows
14	209215	1	Fitting	46	R14596	1	Plate
15	209490	1	Fitting	47	R250210	6	Machine Screw
16	R13807532	1	Fitting	48	R13811189	6	Nut
17	R14447	1	Bracket	49	R13041	4	Machine Screw
18	R1906697	2	Plug	50	R14616	1	Hose Guard
19	R13811037	2	Capscrew	51	R1034034	1	Button, Plug
20	223654	2	Nut	52	R14259	1	Hose Assembly
21	R13811431	4	Washer	53	206322	1	Fitting
22	R12578057	1	Fitting	54	R13597	1	Fitting
23	214219	1	Fitting	60	R731794	2	Fitting
24	R832034	1	Fitting	61	R13514	2	Hose Assembly
25	R13803393	2	Fitting	62	11044	2	Fitting Assembly
26	210767	2	Fitting	63	R1319807	2	Fitting
27	17707	1	Fitting	64	R12137	2	Hose Assembly
28	R12310	4	Hose Assembly	65	R1300294	2	Fitting
29	R13485	1	Hose Assembly	66	R12057	2	Hose Assembly
30	R15688	1	Tube Assembly	67	R13801462	1	Fitting
31	R12041	1	Hose Assembly	68	R12002476	4	Fitting
32	R12042	1	Hose Assembly	69	* R17743	1	Kit, Control Levers (9-3.2)
33	R1938847	1	Fitting	81	R1935313	2	Spacer
34	R14619	1	Hose Assembly	82	R13801813	2	Capscrew
35	209776	1	Fitting	83	R13812514	2	Washer
36	R12048	2	Hose Assembly				



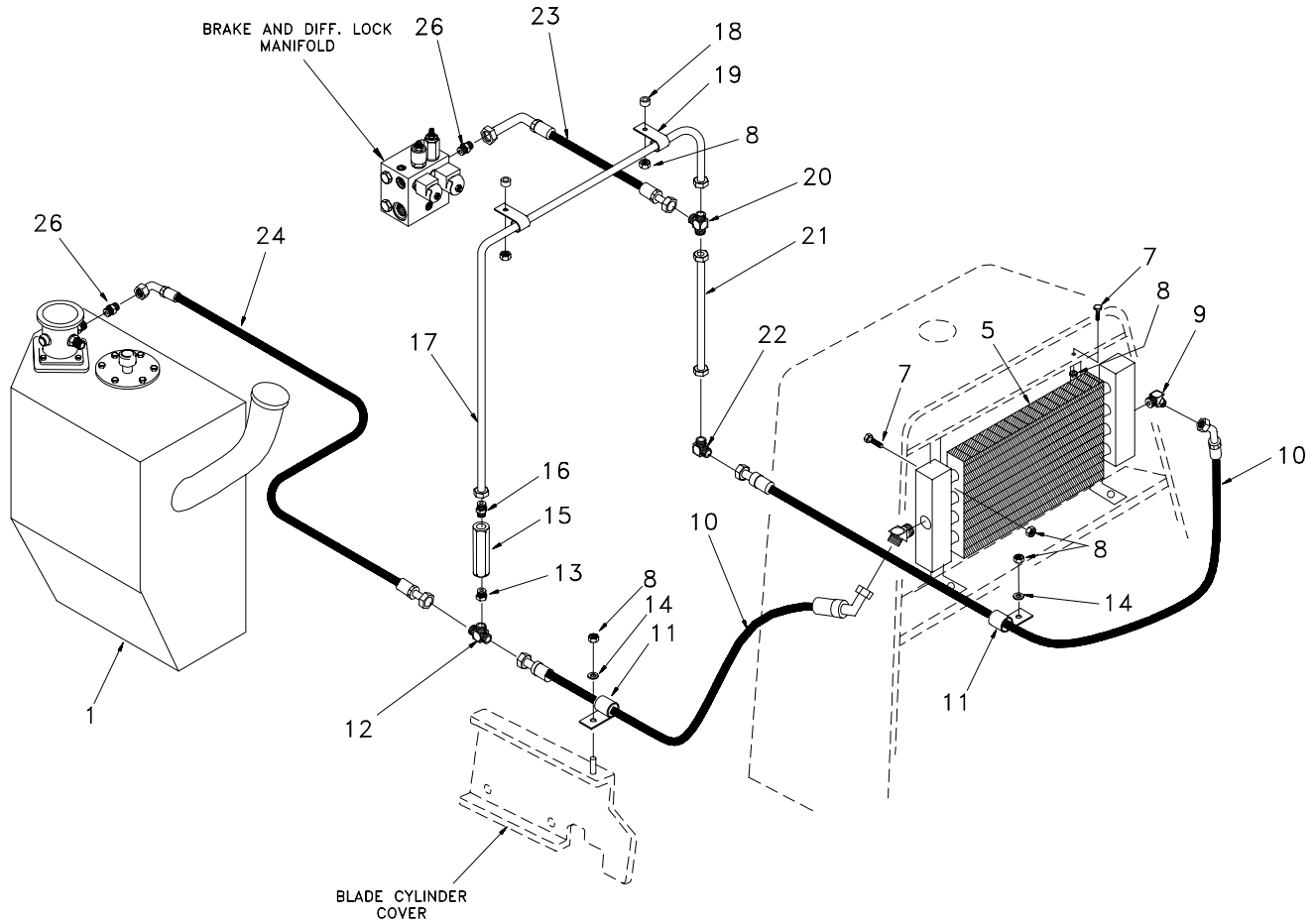
H1669b06.dwg



## Standard Winch Hydraulics

Item	Part No.	Qty	Description	Item	Part No.	Qty	Description
16	R13802628	4	Washer	33	R15041	4	Bar
17	223687	4	Capscrew	34	R15042	2	Seal
18	**a R15658	1	Valve Assembly (9-3.4)	38	214807	1	Fitting
	* R15034	1	Valve Assembly (9-3.4)	39	209413	1	Fitting
20	R13466	1	Fitting	40	R12232	1	Hose Assembly
22	R15101	1	Hose Assembly	41	209411	1	Fitting
23	237135	1	Hose Assembly	42	R14607	1	Hose Guard
24	R12124	1	Hose Assembly	43	R13803047	2	Clip
25	R12069	1	Hose Assembly	44	R13810860	1	Capscrew
26	R12070	1	Hose Assembly	45	R13811035	4	Capscrew
27	23577	1	Fitting	46	R13806869	4	Washer
28	R14253	1	Fitting	47	R14602	1	Plate
30	R15071	1	Plate	48	R13810858	1	Capscrew
31	R13041	4	Machine Screw				
32	R13811189	8	Nut				

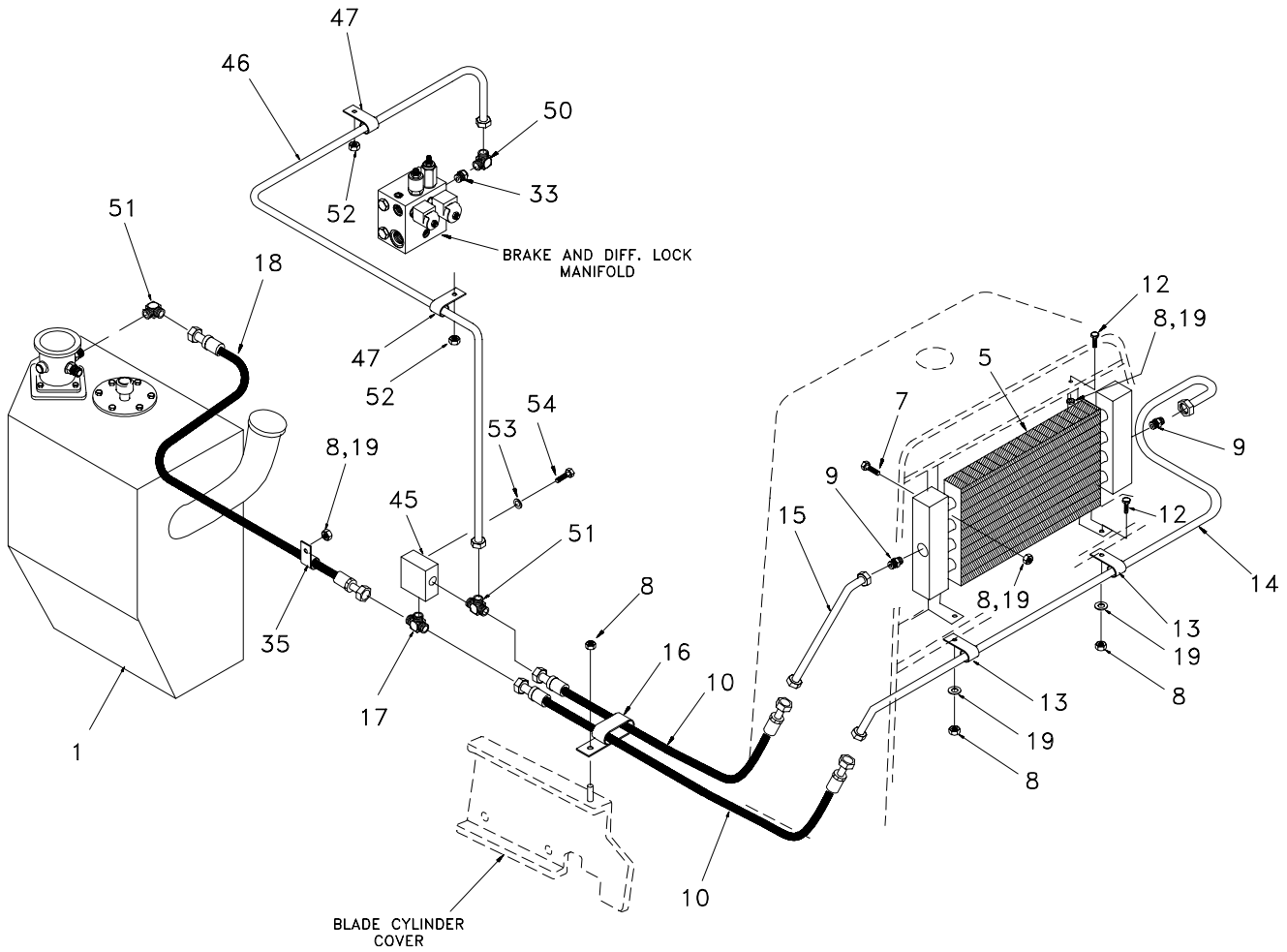
\*a First Used on Unit S/N 1610



H669a07.dwg

### Hydraulic Oil Cooler

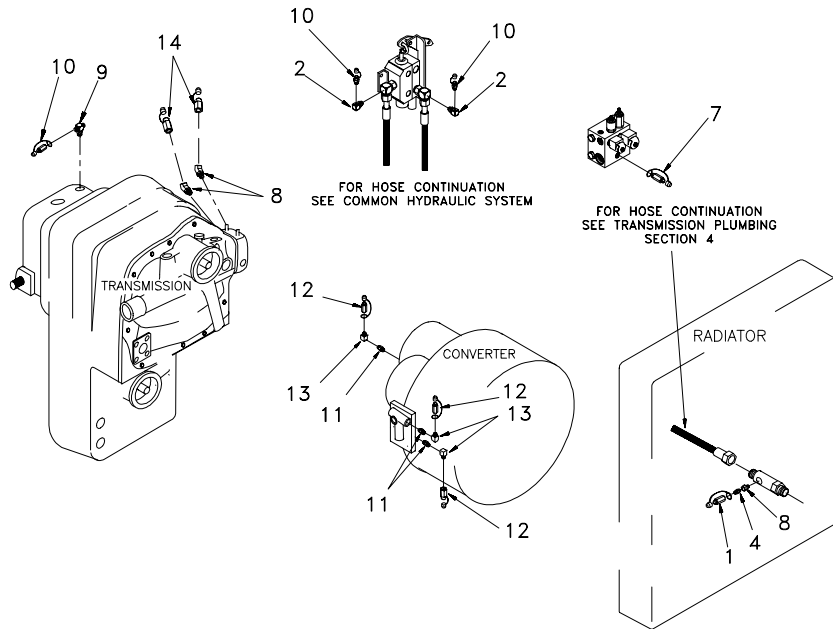
Item	Part No.	Qty	Description	Item	Part No.	Qty	Description
1	* R15560	1	Hydraulic Tank Assembly (9-	14	R13806980	3	Washer
1.16)				15	R13430	1	Valve, Check
5	R11872	1	Hydraulic Oil Cooler	16	R13801720	1	Fitting
6	R14376	2	Plate	17	R14378	1	Tube Assembly
7	R13811035	9	Capscrew	18	R635373	2	Spacer
8	R13807441	14	Nut	19	R13803044	2	Clip
9	R13802178	2	Fitting	20	R13801364	1	Fitting
10	R12604	2	Hose Assembly	21	R14380	1	Tube Assembly
11	R13808101	2	Clip	22	R13804233	1	Fitting
12	R13454	1	Fitting	23	R12605	1	Hose Assembly
13	R14377	1	Fitting	24	R12610	1	Hose Assembly
				26	R13801720	2	Fitting



H669a08.dwg

### Hydraulic Oil Cooler

Item	Part No.	Qty	Description	Item	Part No.	Qty	Description
1	* R15560	1	Hydraulic Tank Assembly (9-1.16)	17	R13807534	1	Fitting
5	R11872	1	Hydraulic Oil Cooler	18	R12068	1	Hose Assembly
6	R14376	2	Plate	19	R13811431	10	Washer
7	R13811035	9	Capscrew	33	209208	1	Fitting
8	R13807441	14	Nut	35	R13808101	1	Clamp
9	209208	2	Fitting	45	R15562	1	Check Valve
10	R12607	2	Hose Assembly	46	R15567	1	Tube Assembly
12	R13811036	4	Capscrew	47	209579	2	Clip
13	R13803040	2	Clip	50	R13801462	1	Fitting
14	R15563	1	Tube Assembly	51	28211	1	Fitting
15	R15564	1	Tube Assembly	52	R13806823	2	Nut
16	R13810033	1	Clamp	53	R13811431	1	Washer
				54	R13811041	1	Capscrew



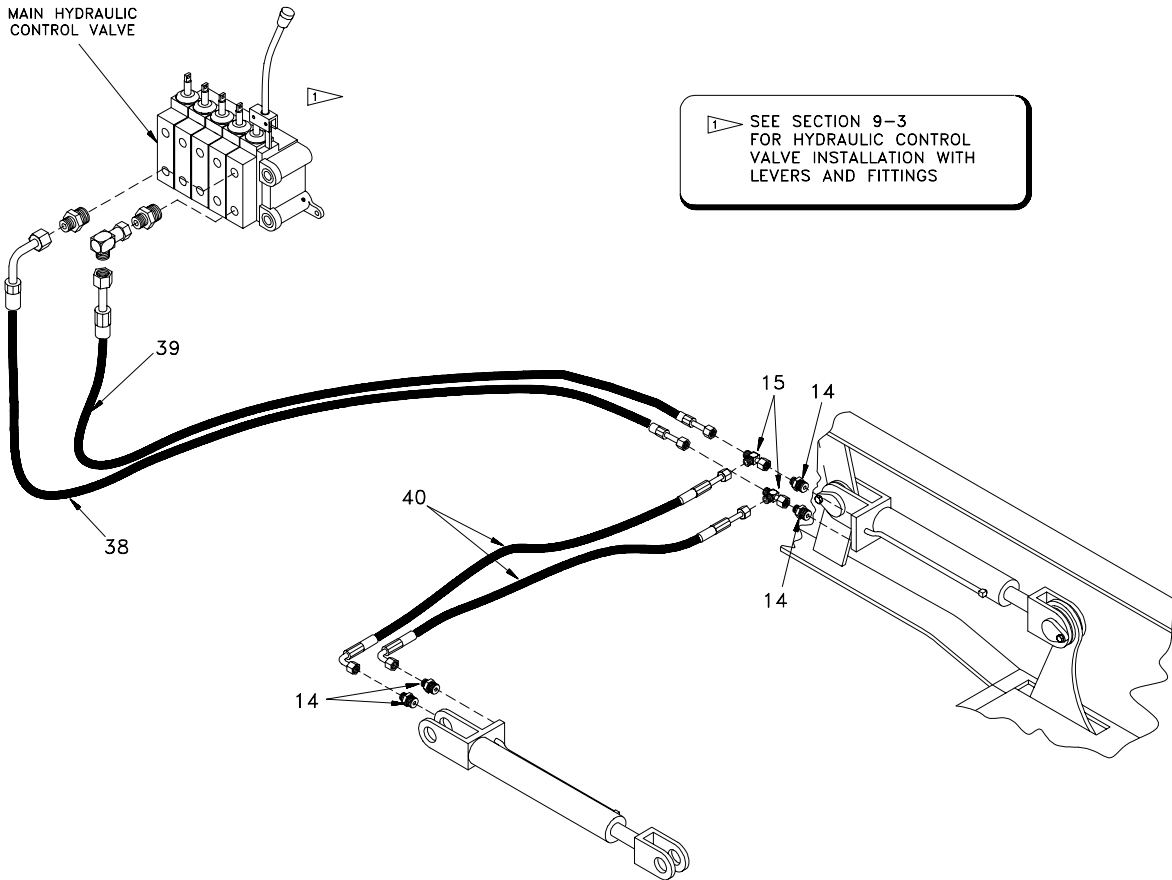
H669a09.dwg

### Test Ports

Item	Part No.	Qty	Description	Item	Part No.	Qty	Description
1	*b R14039	4	Coupler	11	R13804237	3	Fitting
2	11860	2	Fitting	12	R330325	3	Coupler
4	R1309991	1	Fitting	13	212718	3	Fitting
7	*b R14040	1	Coupler	14	R14038	2	Fitting
8	R1517253	2	Fitting				
9	R13807532	1	Fitting				
10	236625	3	Coupler				

\*a Dust Cap P/N R6000689

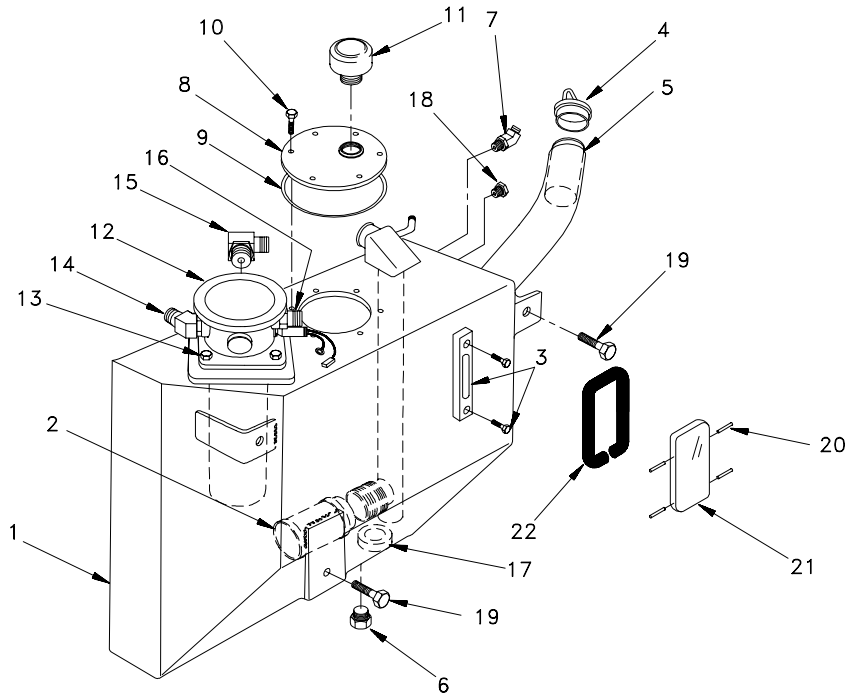
\*b Dust Cap P/N R14373



h669a10.dwg

### Blade Hydraulics

Item	Part No.	Qty	Description	Item	Part No.	Qty	Description
14	R12002476	4	Fitting	39	R12228	1	Hose Assembly
15	R13801594	2	Fitting	40	R12231	2	Hose Assembly
38	R12230	1	Hose Assembly				

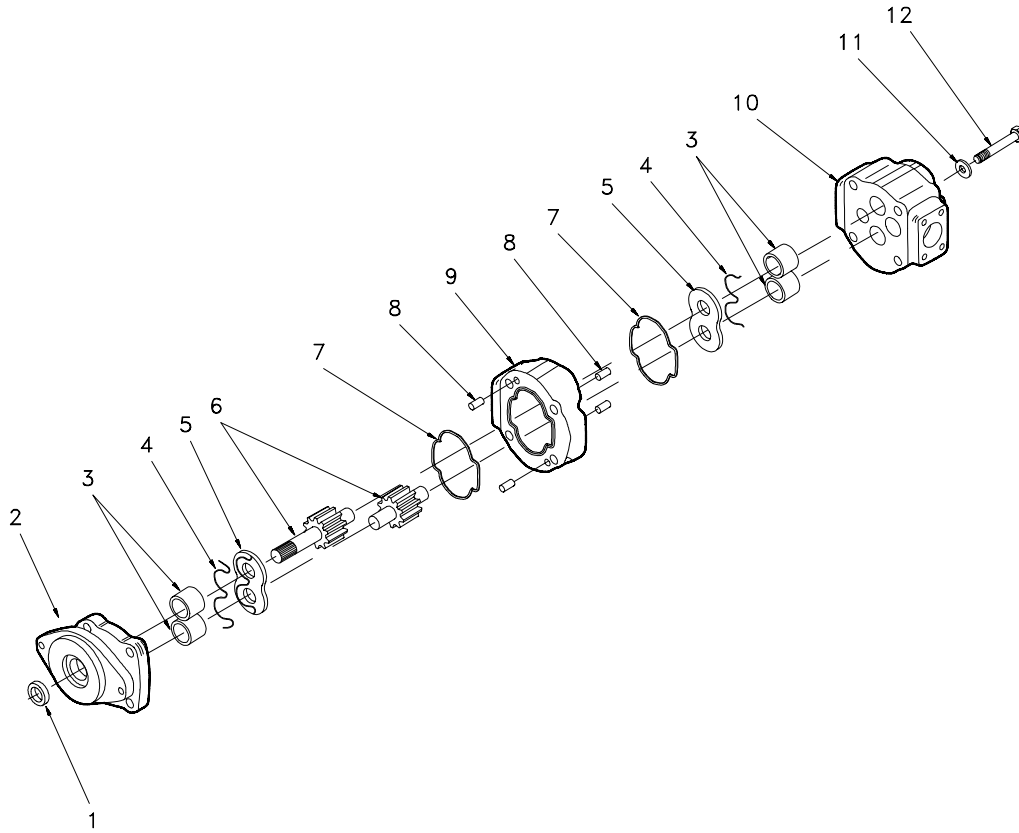


H669a11.dwg

### Hydraulic Tank Assembly

Item	Part No.	Qty	Description	Item	Part No.	Qty	Description
	<b>R14341</b>		<b>Hydraulic Tank Assembly</b>				
	<b>*a R15560</b>		<b>Hydraulic Tank Assembly</b>				
1	R14315	1	. Tank	15	*a R14633	1	. Fitting
2	R14337	1	. Strainer, Suction		R13801720	1	. Fitting
3	R13993	1	. Gauge, Sight		*a 19990	1	. Fitting
4	R1917921	1	. Filler Cap	16	R13807498	1	. Fitting
5	R14340	1	. Strainer	17	R525293	1	. Magnet
6	R13803257	1	. Plug	18	R13810532	1	. Plug
7	R13807383	1	. Fitting	19	R13811121	3	Capscrew
8	R14335	1	. Cover	20	R13809742	4	Pin, Spring
9	R14339	1	. Gasket	21	R14375	1	Guard
10	R13811033	1	. Capscrew	22	R15395	1	Seal
11	R14307	1	. Breather				
12	* R11862	1	. Return Filter (9-5.1)				
13	R13806273	4	. Capscrew				
14	R13807499	1	. Fitting				

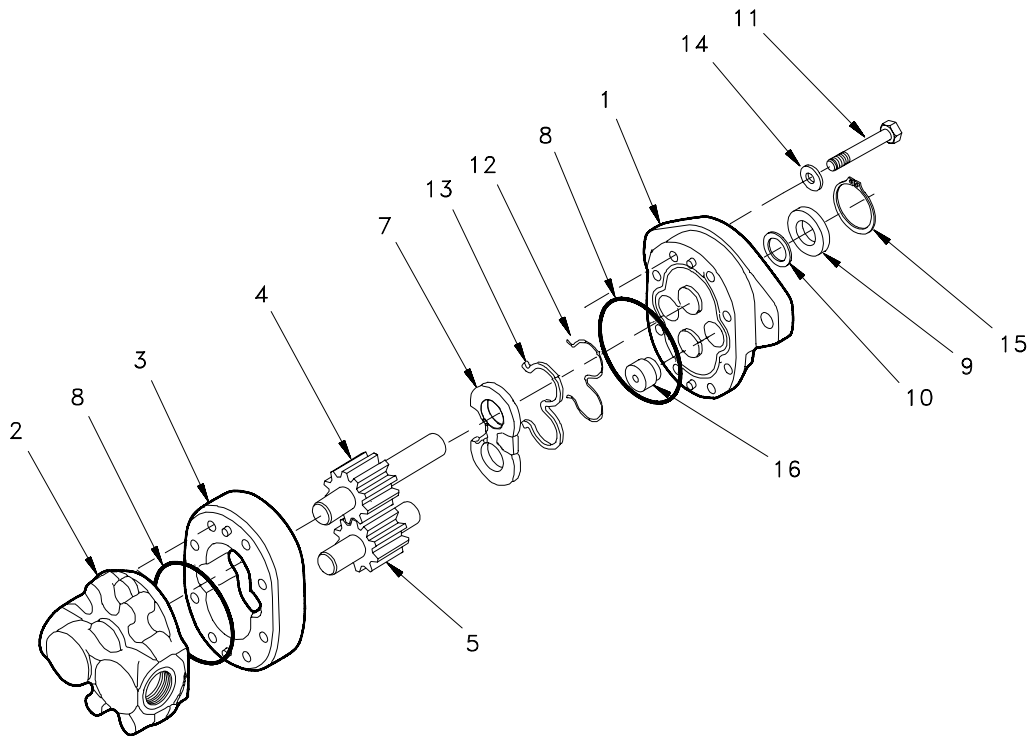
\*a First used Unit S/N 1619



H669a12.dwg

### Main Hydraulic Pump

Item	Part No.	Qty	Description	Item	Part No.	Qty	Description
	<b>R14410</b>		<b>Hydraulic Pump</b>				
1	R1991925	1	. Seal	7	R15031	1	. Gasket Seal
2	NSS	1	. End Cover	8	222938	4	. Dowel Pins
3	R15027	2	. Bushings	9	NSS	1	. Gear Housing
4	R15028	1	. Channel Seal	10	NSS	1	. Bearing Carrier
5	R15029	2	. Thrust Plates	11	R15032	4	. Washer
6	R15030	1	. Gear Set	12	R15033	4	. Capscrews

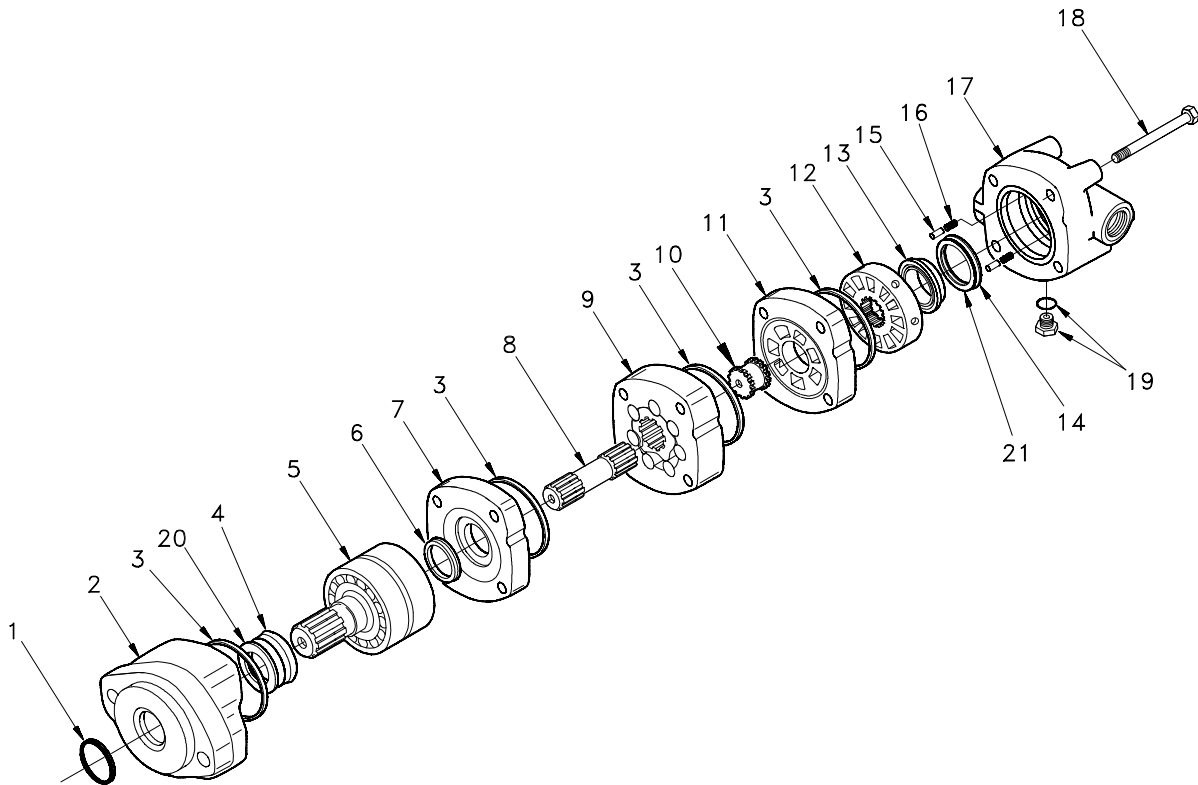


H1669a13.dwg

### Brake Hydraulic Pump

Item	Part No.	Qty	Description	Item	Part No.	Qty	Description
	<b>R14409</b>		<b>Brake Hydraulic Pump</b>				
1	R14769	1	. Front Plate	11	R14774	8	. Capscrew
2	R14770	1	. Back Plate	12	*a -----	1	. Gasket
3	R14771	1	. Body	13	*a -----	1	. Seal
4	R14772	1	. Drive Gear	14	R14775	4	. Washer
5	R14773	1	. Idler Gear	15	R14776	1	. Ring, Retaining
7	*a -----	1	. Wear Plate	16	*a -----	1	. Plug
8	*a -----	2	. O-Ring				
9	*a -----	2	. Seal				
10	*a -----	1	. Washer				
					*a Repair Kit P/N R14777		



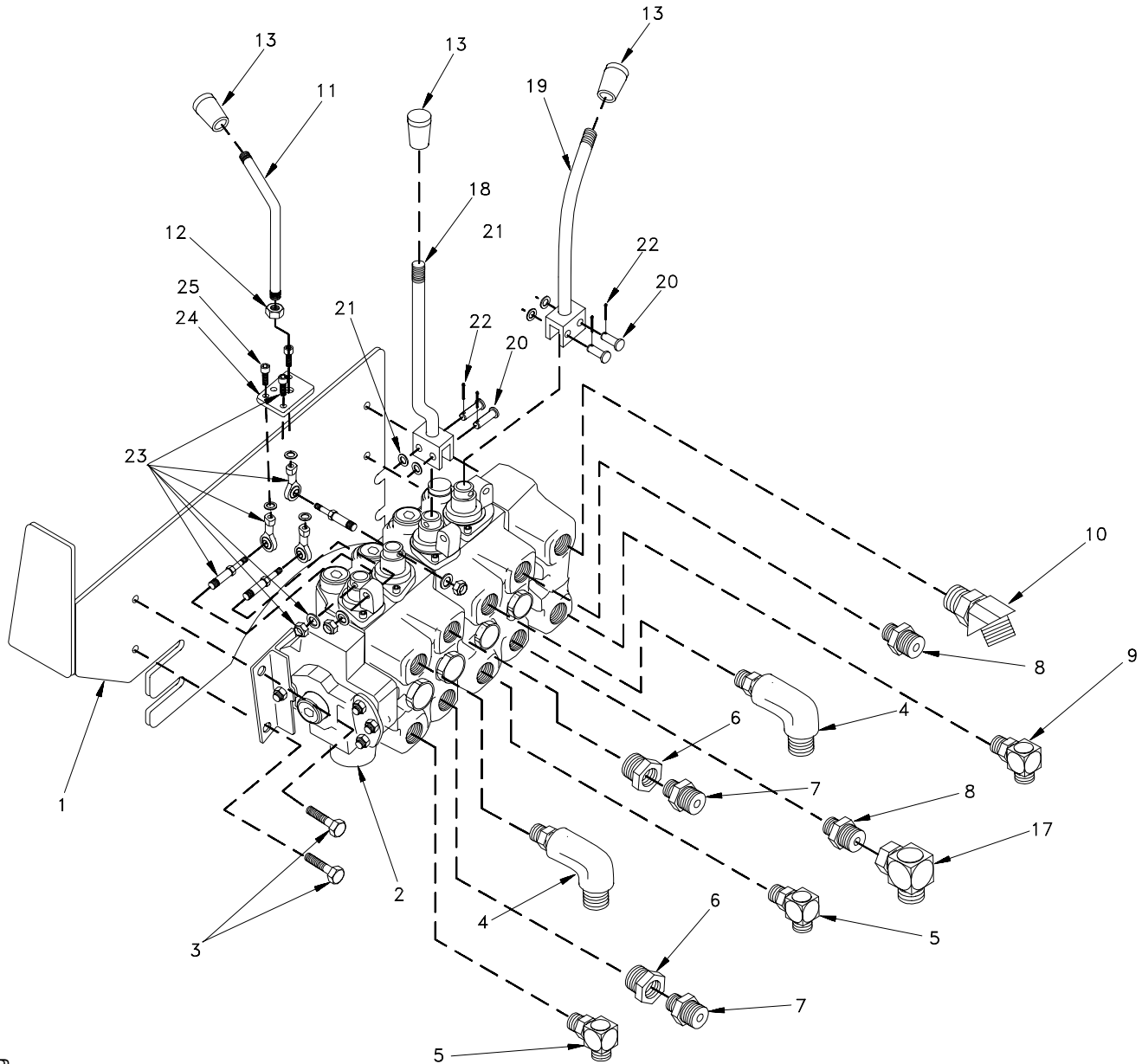


H669a14.dwg

### Grapple Hydraulic Motor

Item	Part No.	Qty	Description	Item	Part No.	Qty	Description
	<b>R1937742</b>		<b>Hydraulic Motor</b>				
1	R1992095	1	. Exclusion Seal	13	R1992485	1	. Ring
2	R1992478	1	. Bearing Housing	14	R1992486	1	. Seal - Outer
3	R1992096	4	. Seal	15	R1992102	2	. Pin
4	R12001401	1	. Shaft Seal	16	R1992088	2	. Spring
5	R1992479	1	. Shaft and Bearing Kit	17	R1992488	1	. Valve Housing
6	R1992098	1	. Seal	18	R1992487	4	. Bolt
7	R1992480	1	. Wear Plate	19	R1992104	1	. Plug
8	R1992481	1	. Shaft	20	R1992407	1	. Back-up Ring
9	R1992482	1	. Plate	21	R1992100	1	. Seal - Inner
10	R1992084	1	. Drive				
11	R1992483	1	. Plate				Seal Kit P/N R1992489
12	R1992484	1	. Valve				

Intentionally Blank

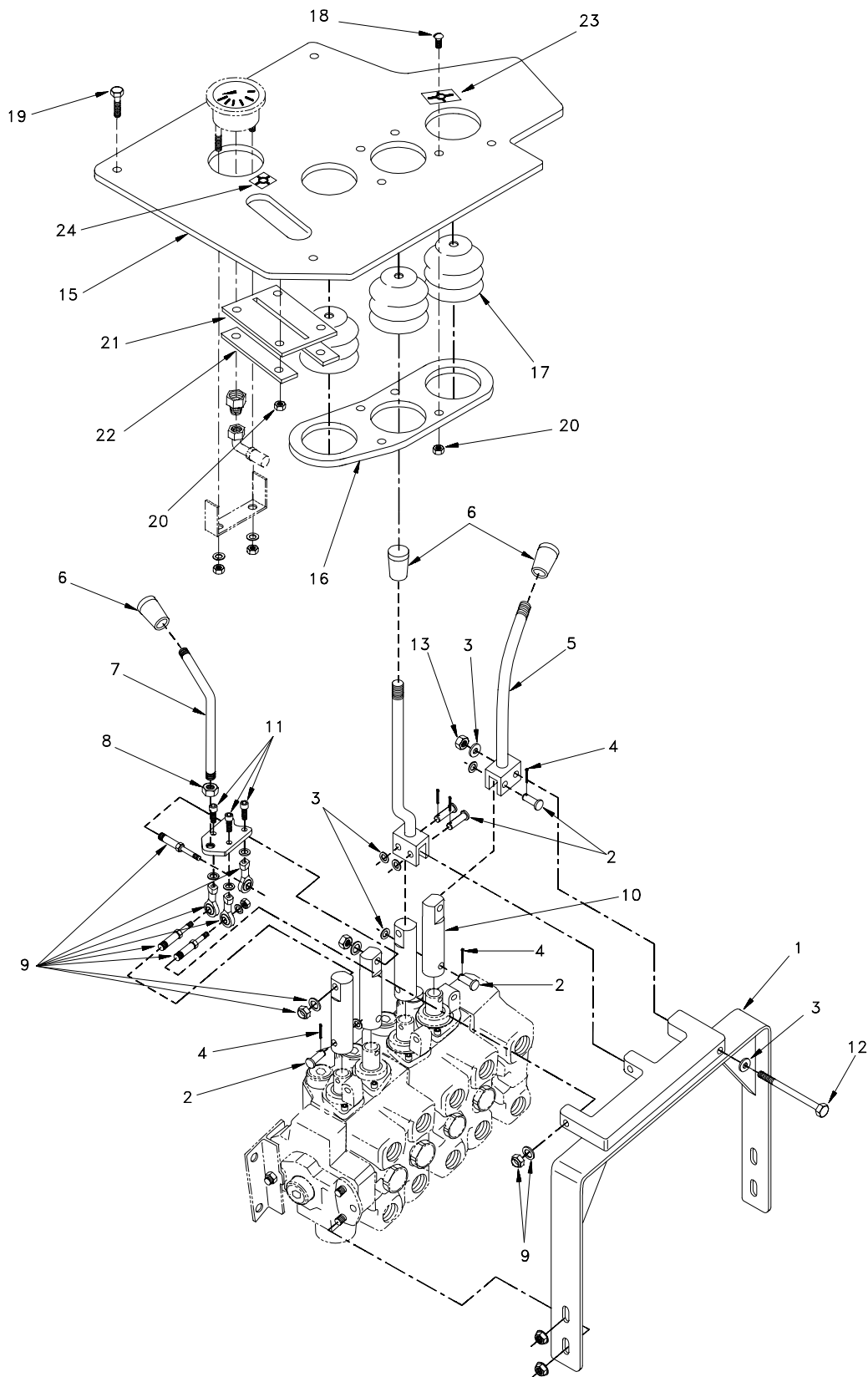


H669a13.dwg

## Hi Vis Hydraulic Control Valve Installation

Item	Part No.	Qty	Description	Item	Part No.	Qty	Description
<b>*a R14402 Hyd Control Valve Installation</b>							
<b>R15633 Hyd Control Valve Installation</b>							
1	*a R14231	1	. Mounting Plate	13	R14520	2	. Knob
	R15627	1	. Mounting Plate	17	R13801461	1	. Fitting
2	* R14062	1	. Hydraulic Control Valve (9-3.4)	18	R14413	1	. Lever
3	R13806254	4	. Capscrew	19	R14516	1	. Lever
4	R12572719	2	. Fitting	20	R14521	4	. Clevis Pin
5	R13801975	2	. Fitting	21	R13811444	4	. Washer
6	R832154	2	. Fitting	22	R13800353	3	. Cotter Pin
7	R13801717	2	. Fitting	23	R14451	1	. Tie Rod Kit
8	R12002476	2	. Fitting	24	R14586	1	. Plate
9	R11760	1	. Fitting	25	R13811617	3	. Capscrew
10	R14513	1	. Fitting				
11	R14412	1	. Rod				
12	R13806770	1	. Nut				

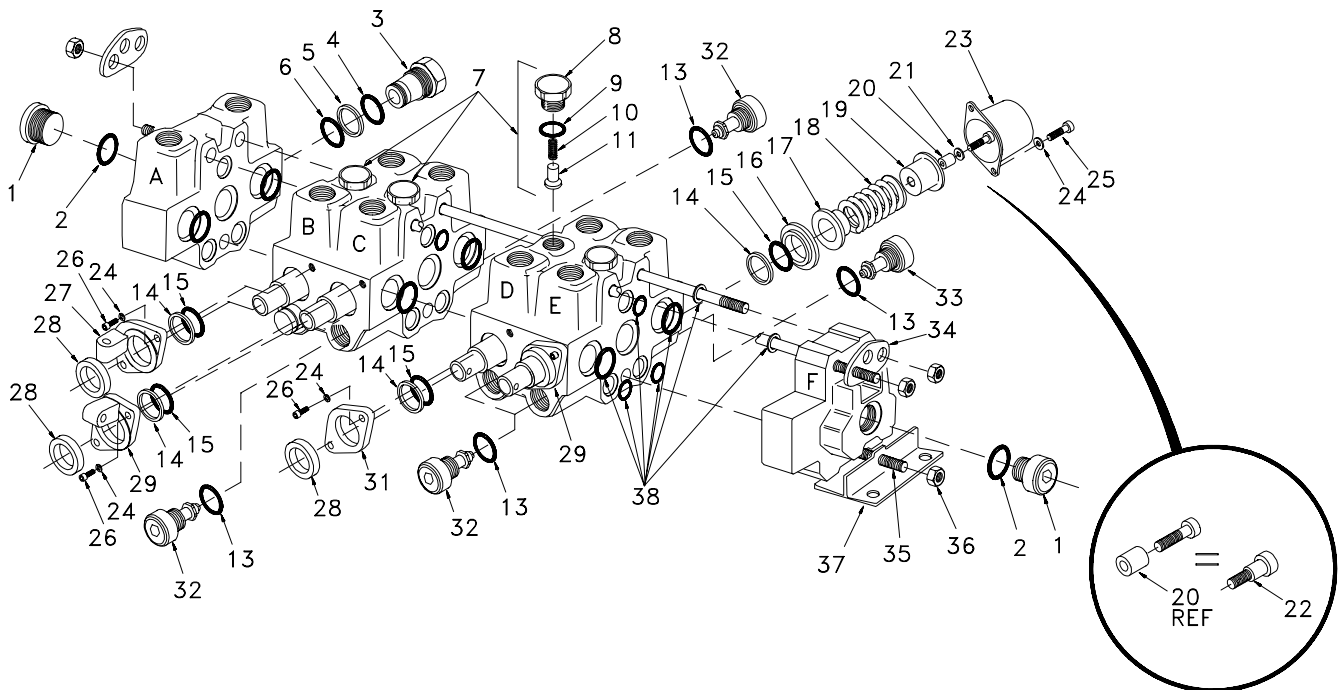
\*a Last used Unit S/N 1610



H1669a25.dwg

## Hi Vis Control Levers Kit

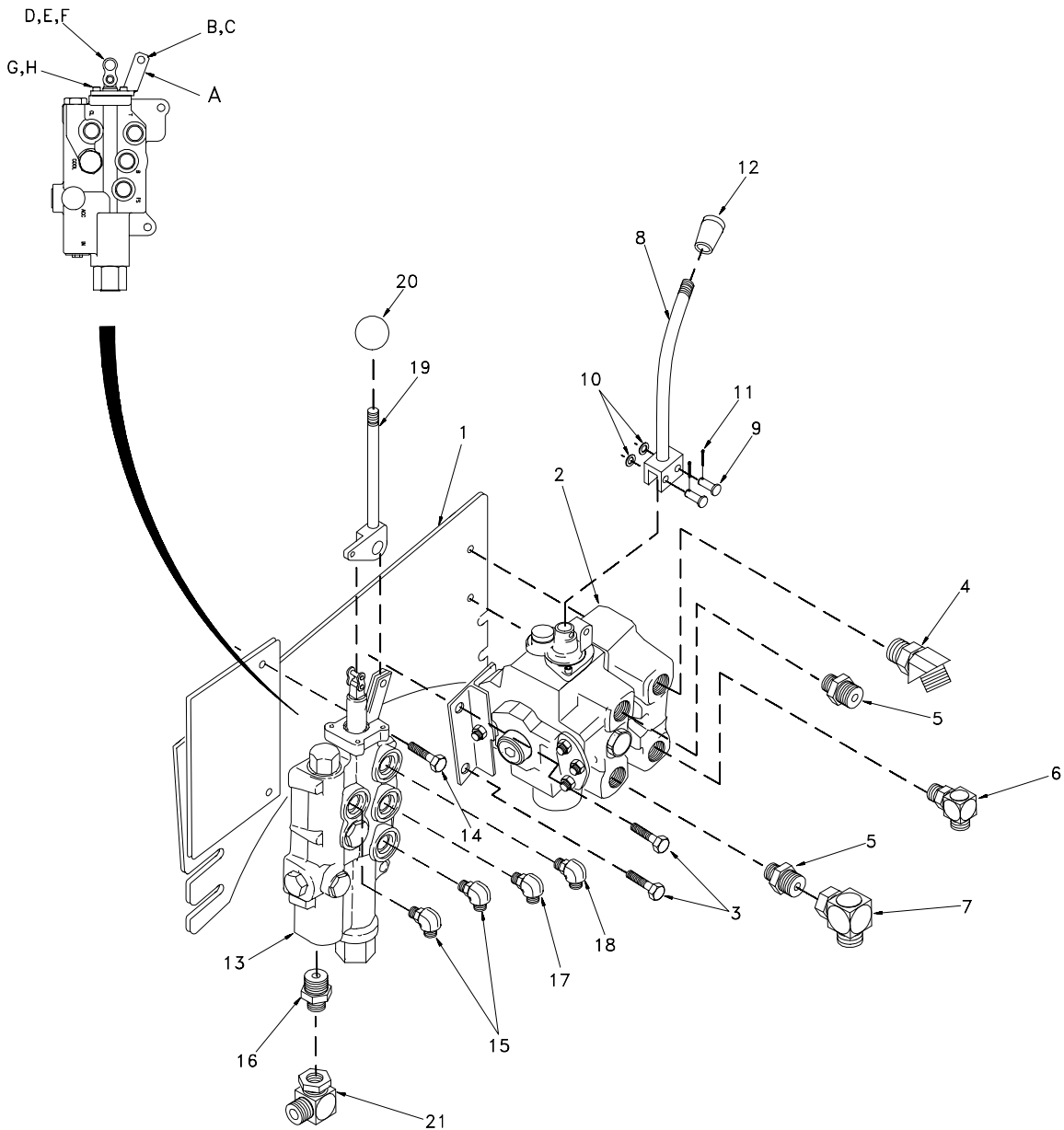
Item	Part No.	Qty	Description	Item	Part No.	Qty	Description
	<b>R17743</b>		<b>Kit, Control Levers</b>				
1	R17639	1	. Lever Mount	13	R13811190	1	. Nut
2	R14521	6	. Clevis Pin	15	R17745	1	. Console Plate
3	R13811444	7	. Washer	16	R17666	1	. Plate
4	R13800353	6	. Cotter Pin	17	R1933522	3	. Bellows
5	R17613	1	. Lever	18	R250210	4	. Machine Screw
6	R14520	3	. Knob	19	R13041	4	. Machine Screw
7	R14412	1	. Rod	20	R13811189	8	. Nut
8	R13806770	1	. Nut	21	R15042	1	. Seal
9	R14451	1	. Kit, Tie Rod	22	R15041	2	. Bar
10	R17278	4	. Spool Extention Rod	23	R16920	1	. Decal
11	R13811617	3	. Capscrew	24	R16938	1	. Decal
12	R13806526	1	. Capscrew				



## Hi Vis Hydraulic Control Valve

Item	Part No.	Qty	Description	Item	Part No.	Qty	Description
<b>R14062</b>				<b>Hi Vis Hydraulic Control Valve</b>			
A	-----		. Inlet Section	8	R15114	1	... Plug
1	R15107	1	.. Plug	9	R15115	1	... O-Ring
2	R15108	1	.. O-Ring	10	R15116	1	... Spring
3	R15109	1	.. Plug	11	R15117	1	... Poppet
4	R15110	1	.. O-Ring	13	R15110	2	.. O-Ring
5	R15111	1	.. Back-up Ring	14	*a -----	2	.. Seal, Spool
6	R15112	1	.. O-Ring	15	*a -----	2	.. O-Ring
				16	R15119	1	.. Guide Ring
B	-----	1	. Blade Section	17	R15120	1	.. Casing
7	R15113	1	.. Check Valve	18	R15121	1	.. Spring
8	R15114	1	... Plug	19	R15123	1	.. Casing
9	R15115	1	... O-Ring	20	R15122	1	.. Spacer
10	R15116	1	... Spring	21	R15124	1	.. Washer
11	R15117	1	... Poppet	22	R15125	1	.. Capscrew
12	R15118	2	.. Relief Valve	23	R15126	1	.. Cap
13	R15110	2	.. O-Ring	24	R15127	4	.. Washer
14	*a -----	2	.. Seal, Spool	25	R15128	2	.. Capscrew
15	*a -----	2	.. O-Ring	26	R15129	2	.. Capscrew
16	R15119	1	.. Guide Ring	28	*a -----	1	.. Scraper Ring
17	R15120	1	.. Casing	30	R15131	2	.. Relief Valve
18	R15121	1	.. Spring	31	R15132	1	.. Cover
19	R15123	1	.. Casing				
20	R15122	1	.. Spacer	E	-----	1	. Grapple Section
21	R15124	1	.. Washer	7	R15113	1	.. Check Valve
22	R15125	1	.. Capscrew	8	R15114	1	... Plug
23	R15126	1	.. Cap	9	R15115	1	... O-Ring
24	R15127	4	.. Washer	10	R15116	1	... Spring
25	R15128	2	.. Capscrew	11	R15117	1	... Poppet
26	R15129	2	.. Capscrew	13	R15110	2	.. O-Ring
27	R15258	1	.. Cover	14	*a -----	2	.. Seal, Spool
28	*a -----	1	.. Scraper Ring	15	*a -----	2	.. O-Ring
				16	R15119	1	.. Guide Ring
C	-----	1	. Arch section	17	R15120	1	.. Casing
7	R15113	1	.. Check Valve	18	R15121	1	.. Spring
8	R15114	1	... Plug	19	R15123	1	.. Casing
9	R15115	1	... O-Ring	20	R15122	1	.. Spacer
10	R15116	1	... Spring	21	R15124	1	.. Washer
11	R15117	1	... Poppet	22	R15125	1	.. Capscrew
13	R15110	2	.. O-Ring	23	R15126	1	.. Cap
14	*a -----	2	.. Seal, Spool	24	R15127	4	.. Washer
15	*a -----	2	.. O-Ring	25	R15128	2	.. Capscrew
16	R15119	1	.. Guide Ring	26	R15129	2	.. Capscrew
17	R15120	1	.. Casing	28	*a -----	1	.. Scraper Ring
18	R15121	1	.. Spring	29	R15130	1	.. Cover
19	R15123	1	.. Casing	32	R15133	1	.. Relief Valve
20	R15122	1	.. Spacer	33	R15134	1	.. Anticavitation Valve
21	R15124	1	.. Washer				
22	R15125	1	.. Capscrew	F	-----	1	. Outlet Section
23	R15126	1	.. Cap	1	R15107	1	.. Plug
24	R15127	4	.. Washer	2	R15108	1	.. O-Ring
25	R15128	2	.. Capscrew	34	R15135	2	.. Lifting Lug
26	R15129	2	.. Capscrew	35	R15136	1	.. Kit, Tie Rod
28	*a -----	1	.. Scraper Ring	36	R15137	6	.. Nut
29	R15130	1	.. Cover	37	R15138	2	.. Bracket
32	R15133	2	.. Relief Valve	38	R15139	3	.. Seal Kit, Section
D	-----	1	. Rotate Section				
7	R15113	1	.. Check Valve				

\*a Included in Spool Seal Kit P/N R15140 (Services One Spool)

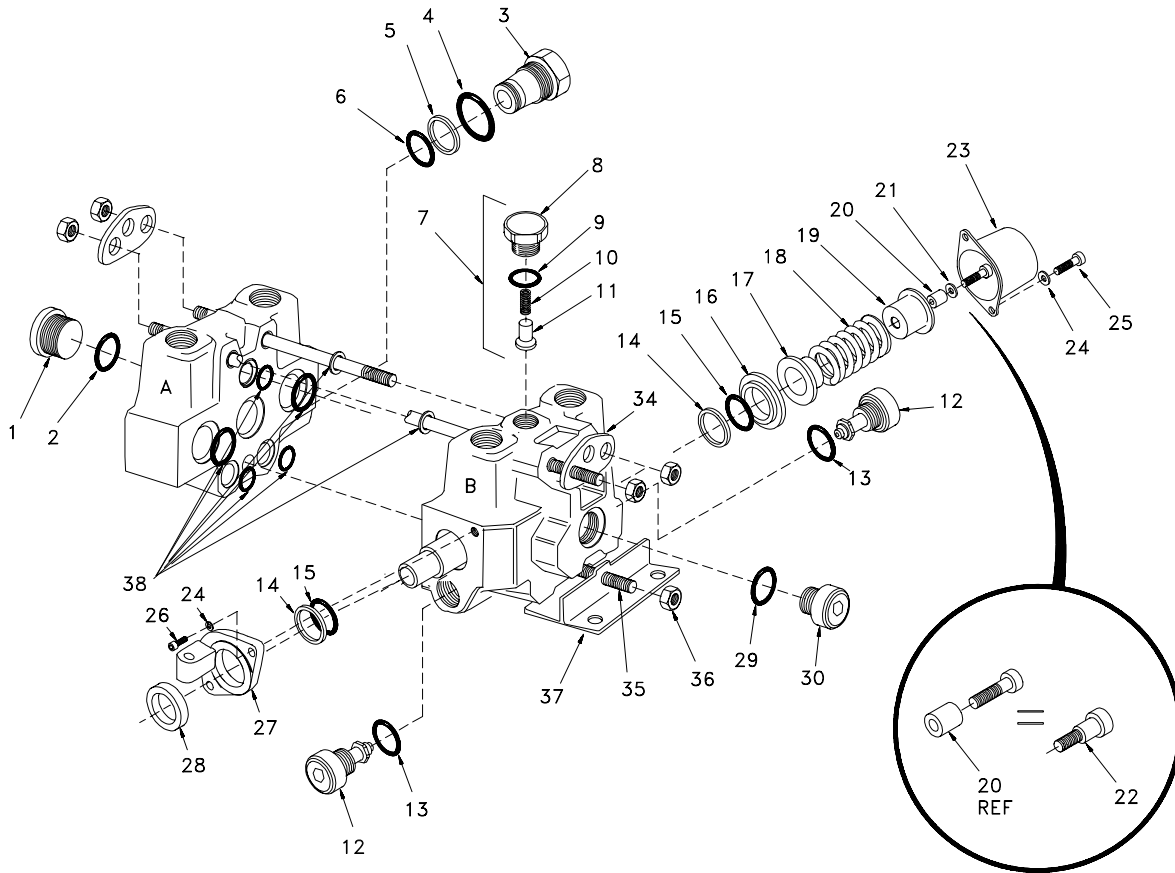


H669a17.dwg

## Cable Hydraulic Control Valve Installation

Item	Part No.	Qty	Description	Item	Part No.	Qty	Description
<b>Hyd Control Valve Installation</b>							
1	R15035	1	Mounting Plate	D	1314564W	1	. Link
2	* R14332	1	Valve (9-3.5)	E	15216W	1	. Pin
3	R13806254	4	Capscrew	F	16334W	4	. Capscrew
4	R14513	1	Fitting	G	18425W	4	. Washer
5	209069	2	Fitting	H	2302177W	2	. Connecting Plate
6	225129	1	Fitting	14	R13811037	2	Capscrew
7	210769	1	Fitting	15	R13807507	1	Fitting
8	R14516	1	Lever	16	R14253	1	Fitting
9	R14521	2	Pin, Clevis	17	209488	1	Fitting
10	R13811444	2	Washer	18	211550	1	Fitting
11	R13800353	2	Pin, Cotter	19	R15037	1	Lever
12	R14520	1	Knob	20	R10410233	1	Knob
13	**a R14236	1	Winch Control Valve (1-5.8)	21	211561	1	Fitting
	**b R15651	1	Winch Control Valve (1-5.9)				
A	1314595W	1	. Bracket				*a Last used Unit S/N 1612
B	1314759W	1	. Bolt				
C	169874W	1	. Nut				



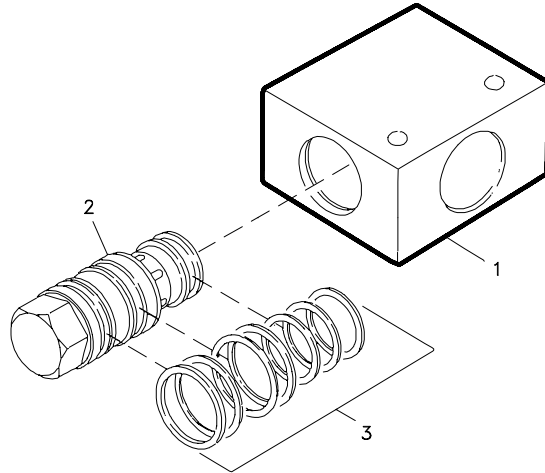


H669a18.dwg

### Cable Hydraulic Control Valve Assembly

Item	Part No.	Qty	Description	Item	Part No.	Qty	Description
	<b>R14332</b>		<b>Hydraulic Control Valve</b>				
A	-----	1	. Inlet Section	18	R15121	1	.. Spring
1	R15107	1	.. Plug	19	R15123	1	.. Casing
2	R15108	1	.. O-Ring	20	R15122	1	.. Spacer
3	R15109	1	.. Plug	21	R15124	1	.. Washer
4	R15110	1	.. O-Ring	22	R15125	1	.. Capscrew
5	R15111	1	.. Back-up Ring	23	R15126	1	.. Cap
6	R15112	1	.. O-Ring	24	R15127	4	.. Washer
29	R15241	1	.. O-Ring	25	R15128	2	.. Capscrew
30	R15242	1	.. Plug	26	R15129	2	.. Capscrew
B	-----	1	. Blade Section	27	R15258	1	.. Cover
7	R15113	1	.. Check Valve	28	*a -----	1	.. Scraper Ring
8	R15114	1	... Plug				
9	R15115	1	... O-Ring	34	R15135	2	. Lifting Lug
10	R15116	1	... Spring	35	R15247	1	. Kit, Tie Rod
11	R15117	1	... Poppet	36	R15137	6	. Nut
12	R15118	2	.. Relief Valve	37	R15138	2	. Bracket
13	R15110	2	.. O-Ring	38	R15139	1	. Seal Kit, Section
14	*a -----	2	.. Seal, Spool				
15	*a -----	2	.. O-Ring				
16	R15119	1	.. Guide Ring				
17	R15120	1	.. Casing				

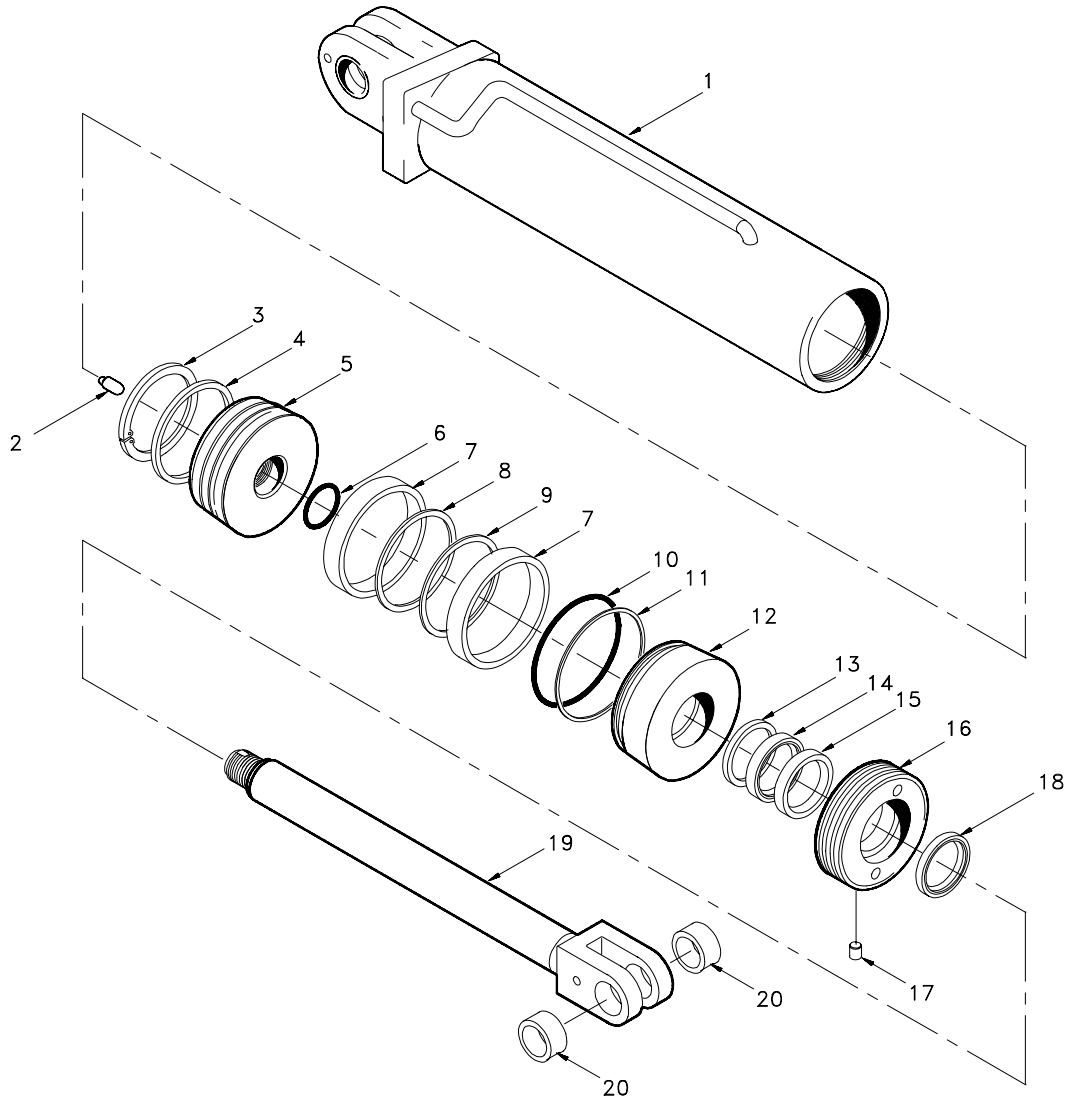
\*a Spool Seal Kit P/N R15140



H669a19.dwg

### Check Valve

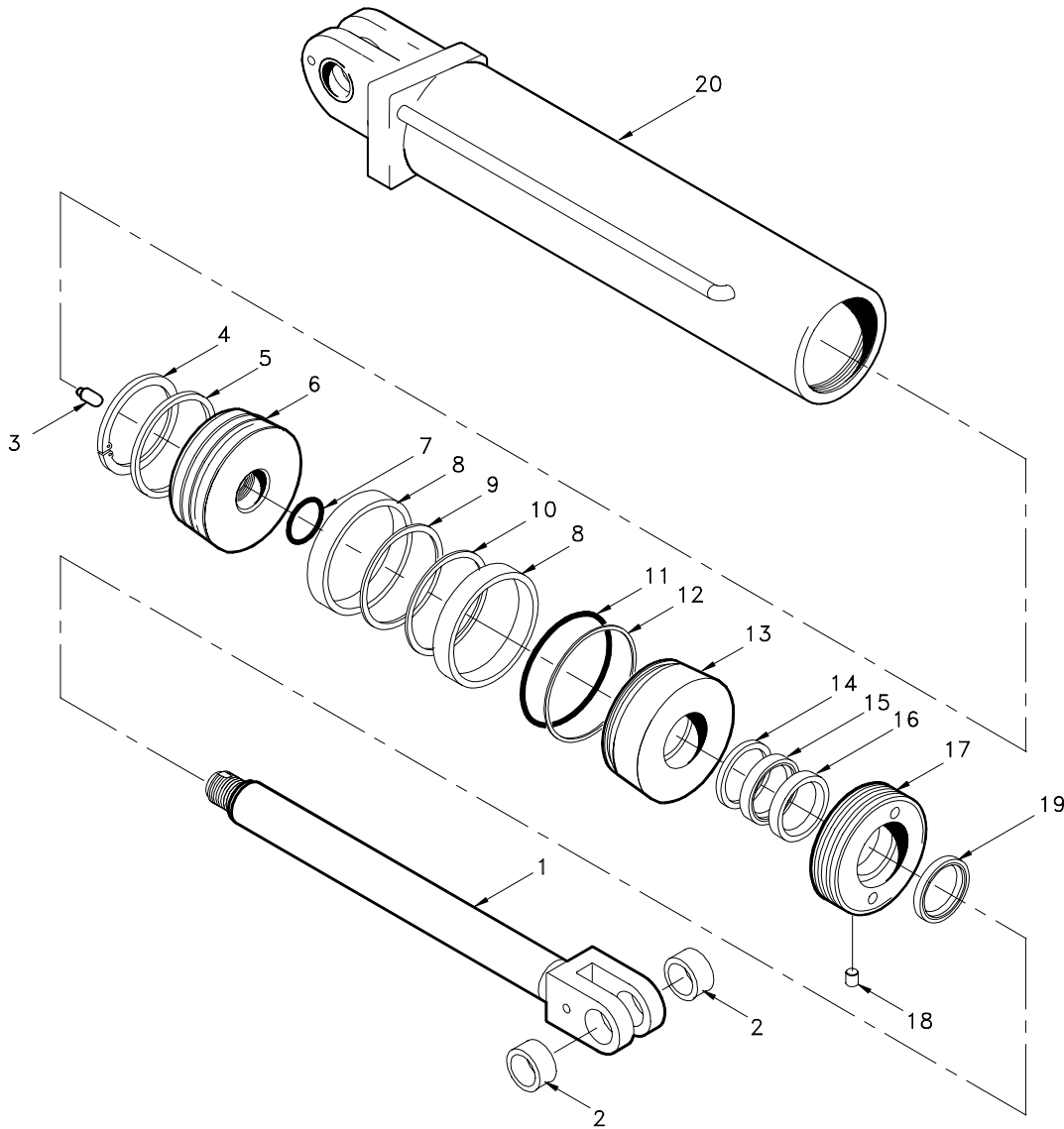
Item	Part No.	Qty	Description	Item	Part No.	Qty	Description
	<b>R12600000</b>		<b>Check Valve</b>				
1	NSS	1	. Body				
2	R12607000	1	. Check Valve				
3	R12973037	1	.. Seal Kit				



H669a20.dwg

### Steering/Blade Hydraulic Cylinder

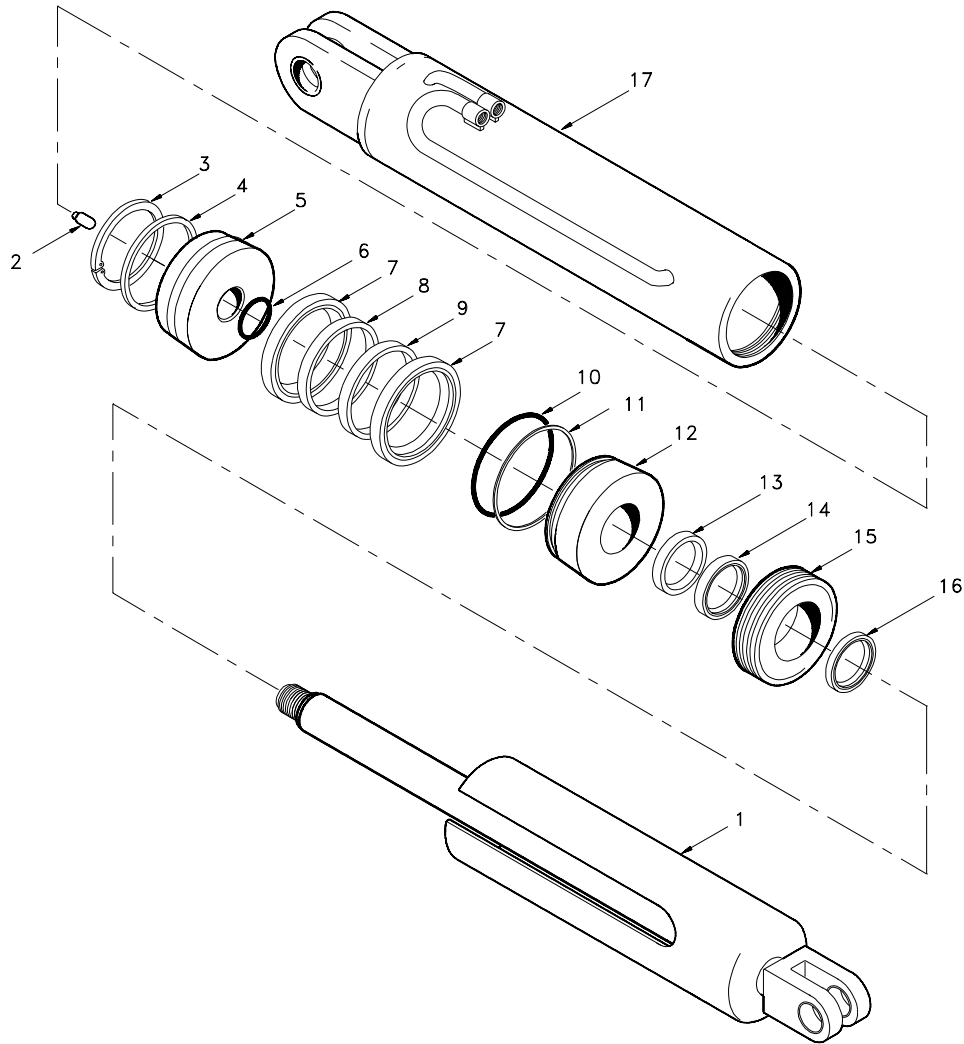
Item	Part No.	Qty	Description	Item	Part No.	Qty	Description
	<b>R2552361</b>		<b>Hydraulic Cylinder</b>				
1	R2535815	1	. Barrel & Base Assembly	12	R2552360	1	. Packing Gland
2	R2552116	1	. Dowel Pin	13	*a -----	1	. Ring
3	R661312	1	. Snap Ring	14	*a -----	1	. Seal
4	R2553562	1	. Washer	15	*a -----	1	. Bearing
5	R2552356	1	. Piston	16	R2552354	1	. Retainer, Gland
6	*a -----	1	. O-Ring	17	*a -----	1	. Plug
7	*a -----	2	. Ring	18	*a -----	1	. Wiper
8	*a -----	1	. Ring	19	R2552358	1	. Stem & Eye Assembly
9	*a -----	1	. Ring	20	R1574466	2	. Bushing
10	*a -----	1	. O-Ring				
11	*a -----	1	. Ring				*a Seal Kit P/N R2542570



H669a21.dwg

### Grapple Arch Hydraulic Cylinder

Item	Part No.	Qty	Description	Item	Part No.	Qty	Description
	<b>R2552115</b>		<b>Parall. Arch/Boom Cylinder</b>				
1	R2552111	1	. Stem & Eye Assembly	12	*a -----	1	. Ring
2	R1573309	2	. . Bearing	13	R2552108	1	. Packing Gland
3	R2552116	1	. Dowel Pin	14	*a -----	1	. Ring
4	R12577380	1	. Retainer Ring	15	*a -----	1	. Seal
5	R2553563	1	. Washer	16	*a -----	1	. Bearing
6	R2552113	1	. Piston	17	R2552109	1	. Retainer, Gland
7	R13805321	2	. O-Ring	18	*a -----	1	. . Plug
8	R12002971	1	. Ring	19	*a -----	1	. Wiper
9	R2553206	1	. Ring	20	R2526177	1	. Barrel & Base Assembly
10	R1503463	1	. Ring				
11	R13805282	1	. O-Ring				*a Seal Kit P/N R2551403

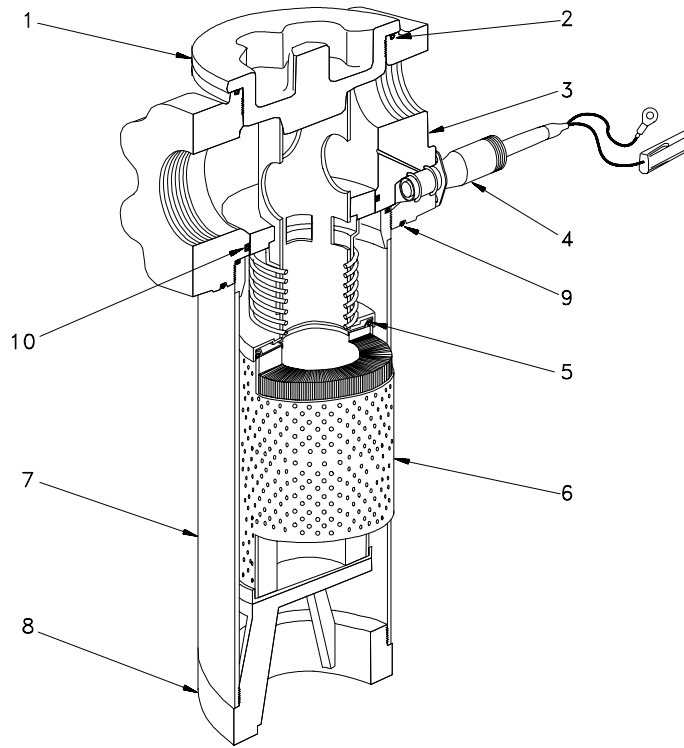


H669a22.dwg

### Grapple Hydraulic Cylinder

Item	Part No.	Qty	Description	Item	Part No.	Qty	Description
	<b>R2552121</b>		<b>Grapple Hydraulic Cylinder</b>				
1	R2552122	1	. Stem & Eye Asm	11	*a -----	1	. Ring
2	R2552116	1	. Dowel Pin	12	R2552108	1	. Packing Gland
3	R12577380	1	. Ring Retainer	13	*a -----	1	. Ring
4	R2553563	1	. Washer	14	*a -----	1	. Seal
5	R2552113	1	. Piston	15	R2552109	1	. Retainer, Gland
6	*a -----	2	. O-Ring	15A	*a -----	1	. Plug
7	*a -----	1	. Ring	16	*a -----	1	. Wiper
8	*a -----	1	. Ring	17	R2532852	1	. Barrel & Base Asm
9	*a -----	1	. Ring				
10	*a -----	1	. O-Ring		*a Seal Kit P/N R2551403		

Intentionally Blank

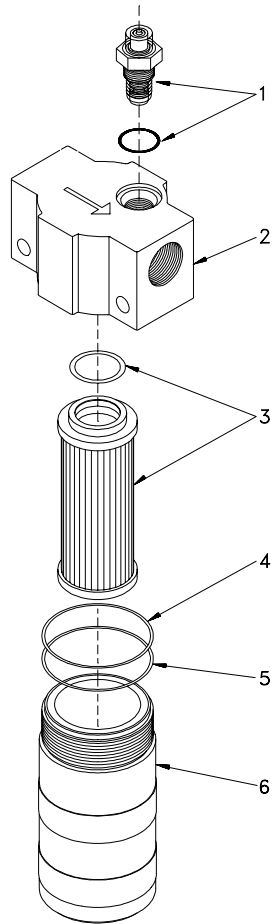


9a23.dwg

### Hydraulic Return Filter

Item	Part No.	Qty	Description	Item	Part No.	Qty	Description
	<b>R11862</b>		<b>Hydraulic Return Filter</b>				
1	R13909	1	. Cover	8	R13912	1	. Housing Valve
2	*a,*b -----	1	. O-Ring	9	*a -----	1	. O-Ring
3	R13910	1	. Head	10	*a -----	1	. O-Ring
4	R13791	1	. Differential Pressure Device				
5	*a -----	1	. O-Ring		*a Service Kit P/N R13913		
6	*b R11689	1	. Element		*b Element Kit P/N R15423		
7	R13911	1	. Housing				

First Used on Unit S/N 1624  
(Optional on S/N's 1623 & Below)

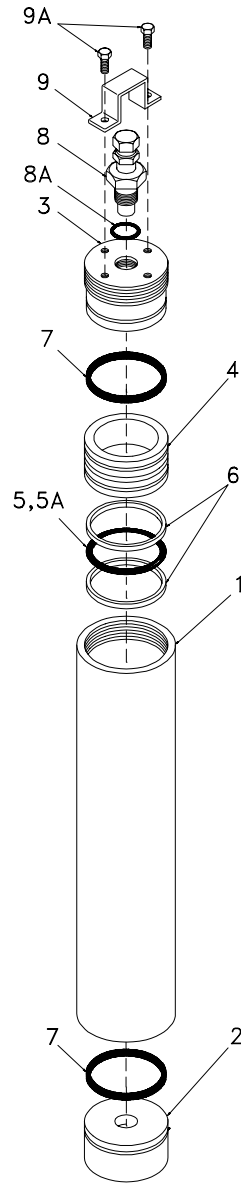


9a30.dwg

### High Pressure Filter

Item	Part No.	Qty	Description	Item	Part No.	Qty	Description
	<b>243636</b>		<b>High Pressure Filter</b>				
1	245255	1	. Visual Bypass Indicator w/O-Ring	4	244596	1	. O-Ring
2	-----	1	. Head, Filter	5	244597	1	. Backup Ring
3	R15492	1	. Element w/O-Ring	6	-----	1	. Bowl

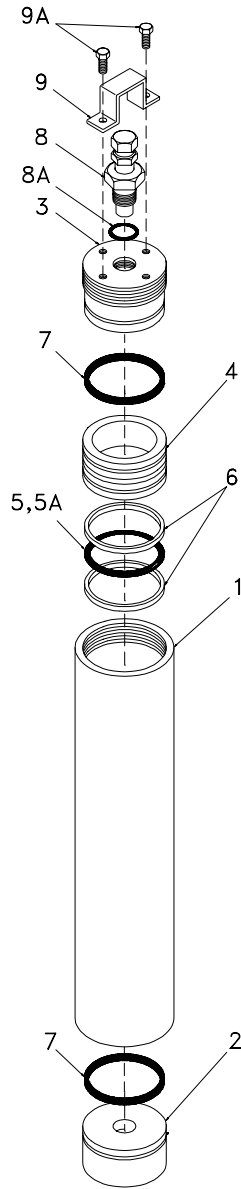




9a24.dwg

### Accumulator

Item	Part No.	Qty	Description	Item	Part No.	Qty	Description
	<b>R14395</b>		<b>Accumulator</b>				
1	NSS	1	. Body	7A	*a -----	2	. Back-up Ring
2	R15061	1	. Hydraulic End Cap	8	R15064	1	. Gas Valve
3	R15062	1	. Gas End Cap	8A	*a -----	1	. O-Ring
4	R15063	1	. Piston	9	R15065	1	. Protector
5	*a -----	1	. O-Ring	9A	R15066	2	. Capscrew
5A	*a -----	2	. Back-up Ring				
6	*a -----	2	. Piston Ring				*a Service Kit P/N R14768
7	*a -----	2	. O-Ring				



9a24.dwg

### Accumulator

Item	Part No.	Qty	Description	Item	Part No.	Qty	Description
	<b>R15543</b>		<b>Accumulator</b>				
1	NSS	1	. Body	7A	*a -----	2	. Back-up Ring
2	R15674	1	. Hydraulic End Cap	8	R15064	1	. Gas Valve
3	R15675	1	. Gas End Cap	8A	*a -----	1	. O-Ring
4	R15676	1	. Piston	9	R15070	1	. Protector
5	*a -----	1	. O-Ring	9A	R15066	2	. Capscrew
5A	*a -----	2	. Back-up Ring				
6	*a -----	2	. Piston Ring				*a Service Kit P/N R15678
7	*a -----	2	. O-Ring				