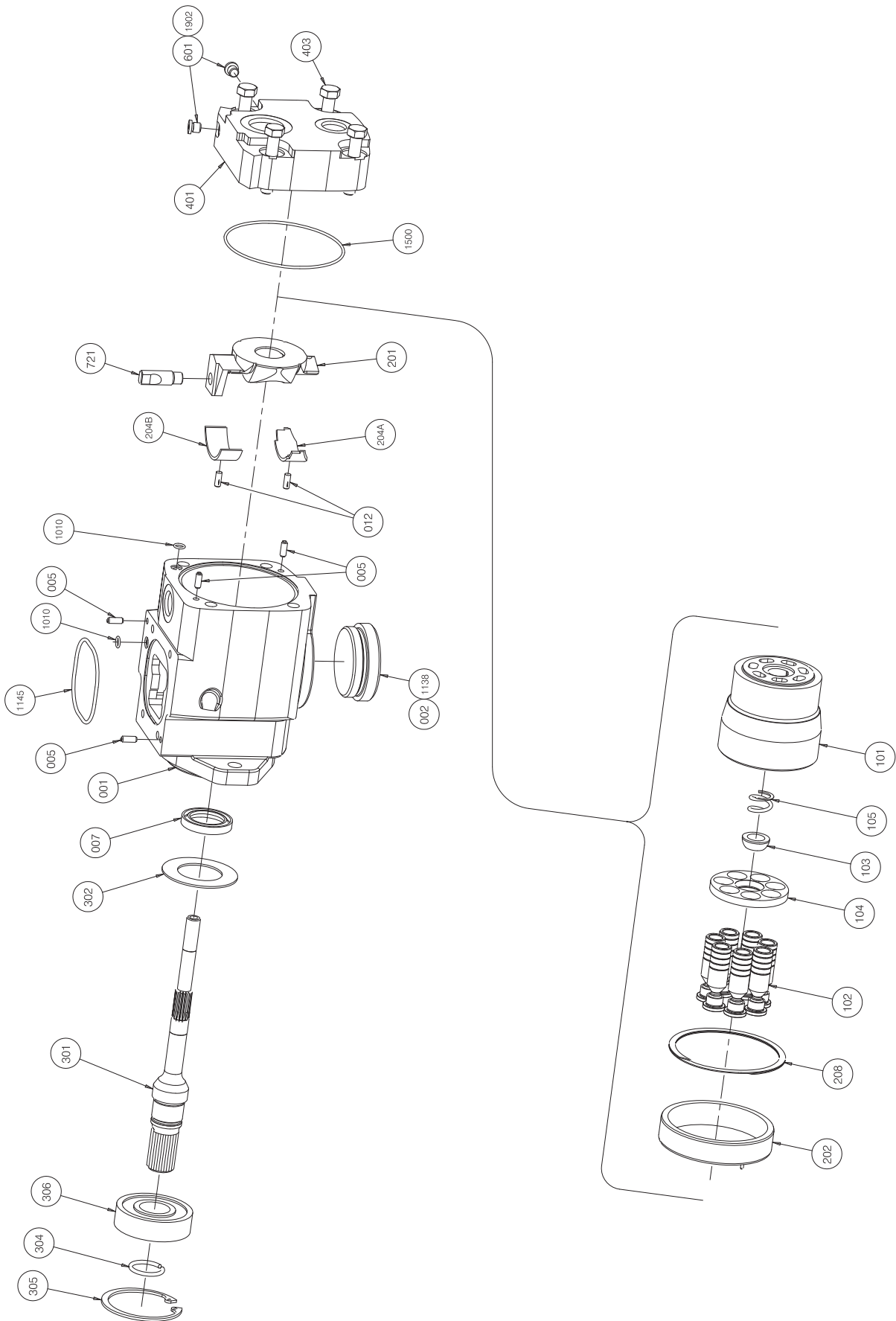

Hydraulic Pump



Hydraulic Pump

Item	Part No.	Qty	Description	Item	Part No.	Qty	Description
254695 Hydraulic Pump							
001	*a	NSS	1 . Pump Housing	713	*q	NSS	. Adjuster Plate
002		NSS	1 . Plug	714		NSS	. Screw
005	*a	NSS	4 . Roll Pin	715	*q	NSS	. Jam Nut
007	*a*h	NSS	1 . Shaft Seal	716	*q	NSS	. Pressure Comp Adjustment Screw
012	*a	NSS	2 . Saddle Bearing Locating Pin	721	*d	254975	1 . Control Pin
101	*e	NSS	1 . Barrel	722		NSS	. Screw, End Cap
102	*e*j	NSS	7 . Piston & Shoe Assembly	723		NSS	. Screw, Control Body
103	*e*k	NSS	1 . Fulcrum Ball	732	*n	NSS	. Orifice
104	*e*k	NSS	1 . Shoe Retainer	1010	*a*g*h*r	NSS	2 . O-Ring
105	*e	NSS	1 . Shoe Retainer Spring	1020	*r	NSS	. O-Ring
201	*d	NSS	1 . Swashblock	1113	*q*r	NSS	. O-Ring
202	*b	NSS	1 . Hydrodynamic Bearing	1138	*h	NSS	. O-Ring
204A	*f	NSS	1 . Saddle Bearing (pressure side)	1145	*a*h*r	NSS	1 . O-Ring
204B	*f	NSS	1 . Saddle Bearing (suction side)	1500	*a*g*h	NSS	1 . O-Ring
208	*b	NSS	1 . Retaining Ring	1902	*g*h*r	NSS	2 . O-Ring
301	*c	NSS	1 . Drive Shaft	1904	*r	NSS	. O-Ring
302	*c	NSS	1 . Seal Retainer	1908	*r	NSS	. O-Ring
304	*c	NSS	1 . Shaft Retainer Ring				
305	*c	NSS	1 . Shaft Bearing Retainer Ring				
306	*c	NSS	1 . Front Drive Shaft Bearing				
401	*g	NSS	1 . Valve Plate	NSS Not Sold Separately			
403	*g	NSS	4 . Screw	*a Included in 254970 Housing Kit			
601	*g	NSS	1 . Plug	*b Included in 235796 Rotating Group Bearing Kit			
603		NSS	1 . Plug	*c Included in 235792 Shaft & Bearing Kit			
606		NSS	1 . Plug	*d Included in 254971 Swashblock Kit			
701	*m	NSS	1 . Control Block	*e Included in 253336 Rotating Group Kit			
702	*n	NSS	1 . Control Piston	*f Included in 253338 Saddle Bearing Kit			
703	*p	NSS	1 . Control Piston Spring	*g Included in 254972 Valve Plate Kit			
705		NSS	1 . End Cap	*h Included in 254973 Pump Seal Kit			
706	*m	254978	1 . Pressure Comp. Control Spool	*j Included in 254974 Piston & Shoe Kit			
707		NSS	1 . Spring Seat	*k Included in 240434 Shoe Retainer & Holddown Ball Kit			
708	*p	NSS	1 . Pressure Comp Spring (Outer)	*m Included in 254976 Main Control Body Kit			
709	*p	NSS	1 . Pressure Comp Spring (Inner)	*n Included in 254977 Control Piston Kit			
710	*q	NSS	1 . Control Plug	*p Included in 254979 Control Spring Kit			
711	*q	NSS	1 . Screw	*q Included in 254980 Pressure Comp Adjuster Kit			
712	*q	NSS	1 . Shims	*r Included in 254981 Control Seal Kit			

