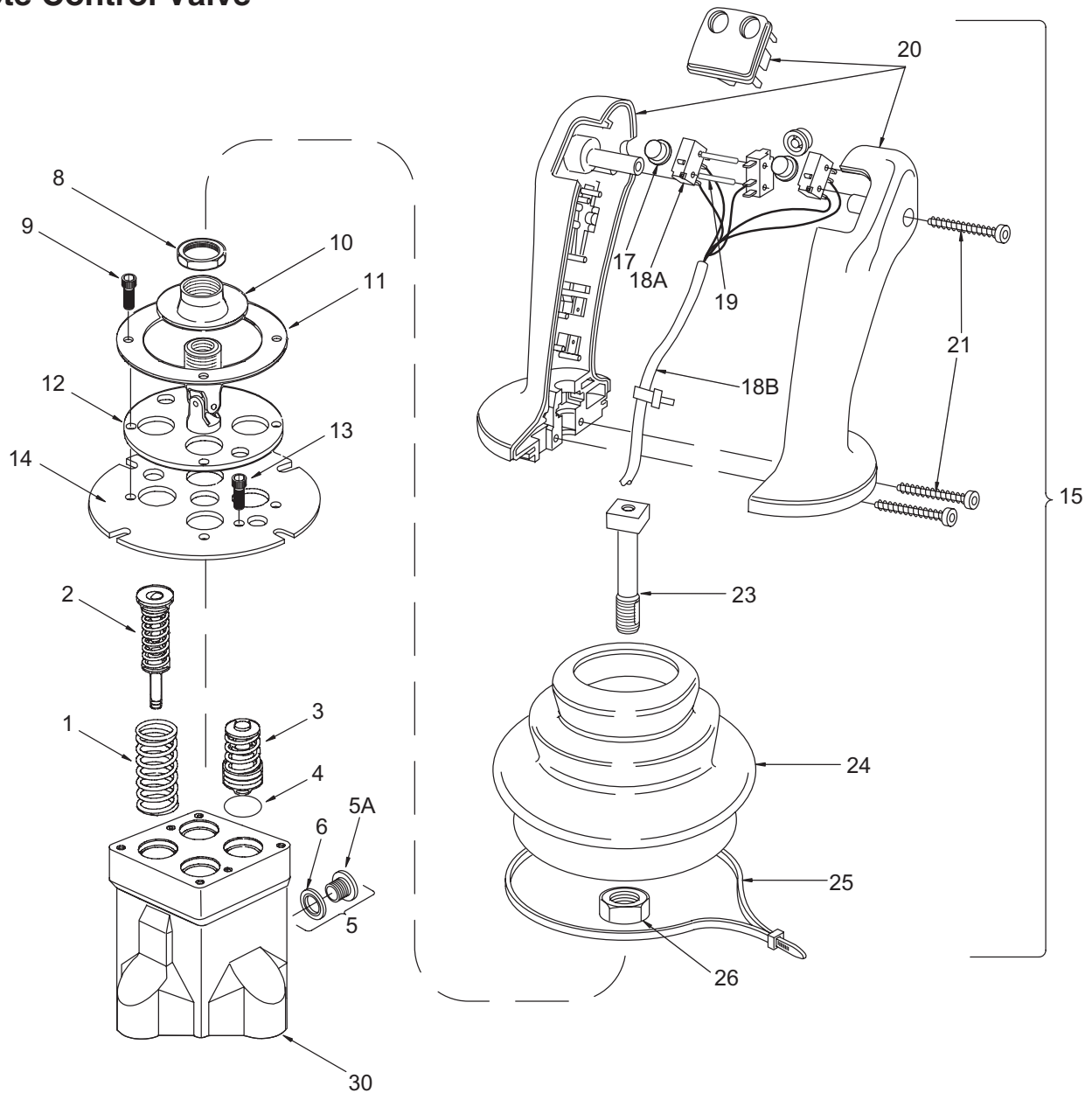


Remote Control Valve



Item	Part No.	Qty	Description	Item	Part No.	Qty	Description
	249518		Remote Control Valve				
1	237783	4	. Return Spring	15	249723	1	. Handlever Assembly
2	240455	4	. Spring Cartridge	18	* 249614	1	. . Cable & Switch Assembly
3	230397	4	. Pin Set	18A	* -----	2	. . . Switch
4	240456	4	. . O-Ring	18B	* -----	1	. . . Cable
5	240457	1	. Plug Kit	19	* 249615	2	. . Pin
5A	-----	1	. . Plug	20	249871	1	. . Handle
6	237786	1	. . O-Ring	21	-----	3	. . Screw
7	230394	1	. . Mounting Plate Kit	23	-----	1	. . Lever
8	-----	1	. . Nut	24	249617	1	. . Bellows
9	-----	4	. . Screw	25	228436	1	. . Lock Strip
10	228438	1	. . Power Disc	26	-----	1	. . Nut
11	-----	1	. . Mounting Disc	30	NSS	1	. Valve Body
12	-----	1	. . Disc w/Joint				
13	-----	2	. . Screw				
14	-----	1	. . Mounting Disc				

* Included in 580381 Microswitch Kit
 NSS Not Sold Separately