
Transmission

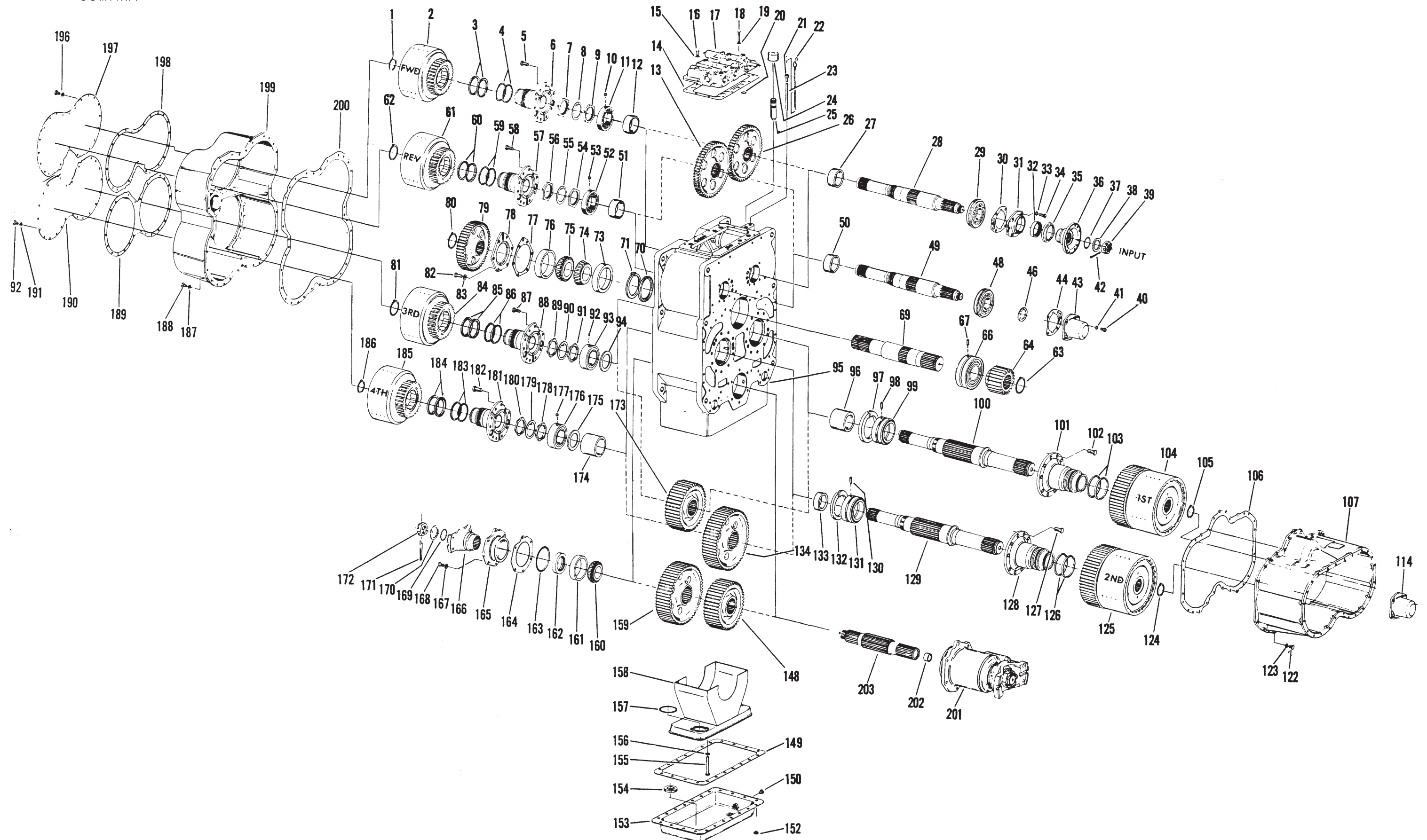
Transmission

Item	Part No.	Qty	Description	Item	Part No.	Qty	Description
	247471		Transmission				
1	*a 234564	1	. Ring, Snap	74	*a 247046	1	. Bearing Cone
2	-----	1	. Clutch Assy, Fwd -See pg 8	75	*a 247046	1	. Bearing Cone
3	*a 221130	2	. Spring	76	*a 247045	1	. Bearing Cup
4	*a 221129	2	. Ring	77	*a 247047	AR	. Shim
5	237295	8	. Capscrew	77A	*a 247048	AR	. Shim
6	222866	1	. Support, Clutch	77B	*a 247049	AR	. Shim
7	200694	1	. Nut	78	247050	1	. Bearing Cap
8	*a 200696	1	. Nut, Lock	79	247051	1	. Gear, Idler
9	200694	1	. Nut	80	*a 247052	1	. Ring, Snap
10	214779	1	. Ball, Steel	81	*a 234564	1	. Ring, Snap
11	*a 247036	1	. Bearing, Roller	82	201618	6	. Capscrew
12	212232	1	. Spacer	83	200604	6	. Washer, Lock
13	217528	1	. Gear	84	-----	1	. Clutch Assy, 3rd - See Pg 6
14	*a 212234	1	. Gasket	85	*a 221130	2	. Spring
15	R13800829	11	. Washer, Lock	86	*a 221129	2	. Ring
16	223089	11	. Capscrew	87	237295	8	. Capscrew
17	244863	1	. Valve, Control	88	222866	1	. Support, Clutch
18	00179870	2	. Capscrew	89	200694	1	. Nut
19	R13800829	2	. Washer, Lock	90	*a 200696	1	. Nut, Lock
20	*a 15862W	8	. O-Ring	91	200694	1	. Nut
21	217527	1	. Dipstick Housing Assy	92	214779	1	. Ball, Steel
22	214766	1	. Dipstick	93	*a 212272	1	. Bearing
23	214767	1	. Tube, Dipstick	94	212273	1	. Spacer
24	214768	1	. Cap, Pipe	95	247061	1	. Case, Trans
25	214769	1	. Nipple, Pipe	96	212276	1	. Spacer
26	217528	1	. Gear	97	*a 212277	1	. Ring, Snap
27	212245	1	. Spacer, Gear	98	214775	1	. Pin
28	212246	1	. Shaft, Input	99	*a 212278	1	. Bearing Assy
29	*a 212247	1	. Bearing	100	241136	1	. Shaft
30	*a 212248	1	. Gasket	101	219678	1	. Clutch Supt & Plug Assy
31	212249	1	. Bearing Cap	102	238092	9	. Bolt
32	*a 212250	1	. Seal	103	*a 219676	2	. Ring, Piston
33	200604	5	. Washer, Lock	103A	*a 219677	2	. Ring
34	201618	5	. Capscrew	104	-----	1	. Clutch Assy, 1st - See Pg 7
36	212252	1	. Flange, Output	105	*a 12940W	1	. Ring, Snap
37	*a 212253	1	. O-Ring	106	*a 229995	1	. Gasket
38	212254	1	. Washer, Flange	107	245079	1	. Cover, Clutch
39	218486	1	. Nut, Lock	114	-----	1	. Speed Sensor - See Pg 10
40	201618	5	. Capscrew	122	194090W	23	. Capscrew
41	200604	5	. Washer, Lock	123	247054	23	. Washer
43	212256	1	. Bearing Cap	124	*a 12940W	1	. Ring, Snap
44	*a 212248	1	. Gasket	125	-----	1	. Clutch Assy, 2nd - See Pg 7
46	247037	1	. Ring, Snap	126	*a 219676	2	. Ring, Piston
48	*a 212247	1	. Bearing	126A	*a 219677	2	. Ring
49	247063	1	. Shaft	127	238092	9	. Bolt
50	212245	1	. Spacer, Gear	128	219678	1	. Clutch Supt & Plug Assy
51	212232	1	. Spacer	129	241136	1	. Shaft
52	*a 247036	1	. Bearing, Roller	130	214775	1	. Pin
53	214779	1	. Ball, Steel	131	*a 212278	1	. Bearing Assy
54	200694	1	. Nut	132	*a 212277	1	. Ring, Snap
55	*a 200696	1	. Nut, Lock	133	212287	1	. Spacer
56	200694	1	. Nut	134	212288	1	. Gear
57	222866	1	. Support, Clutch	148	212294	1	. Gear
58	237295	8	. Capscrew	149	*a 212299	1	. Gasket
59	*a 221129	2	. Ring	150	200622	2	. Plug, Pipe
60	*a 221130	2	. Spring	152	223219	22	. Capscrew
61	-----	1	. Clutch Assy, Rev-See pg 8	153	212297	1	. Oil Sump
62	*a 234564	1	. Ring, Snap	154	R525293	2	. Magnet
63	*a 247039	1	. Ring, Snap	155	201610	4	. Capscrew
64	247040	1	. Gear, Idler Shaft	156	201567	4	. Lockwasher
66	*a 247041	1	. Bearing, Idler Shaft	157	*a 214778	1	. Gasket
67	214771	1	. Pin, Lock	158	212302	1	. Screen Assy, W/frame
69	246800	1	. Shaft, Idler	159	221134	1	. Gear, Output Shaft
70	247043	1	. Shield, Oil	160	*a 212289	1	. Bearing Cone
71	*a 247044	1	. Ring, Snap	161	*a 206540	1	. Bearing Cup
73	*a 247045	1	. Bearing Cup	162	*a 212303	1	. Seal

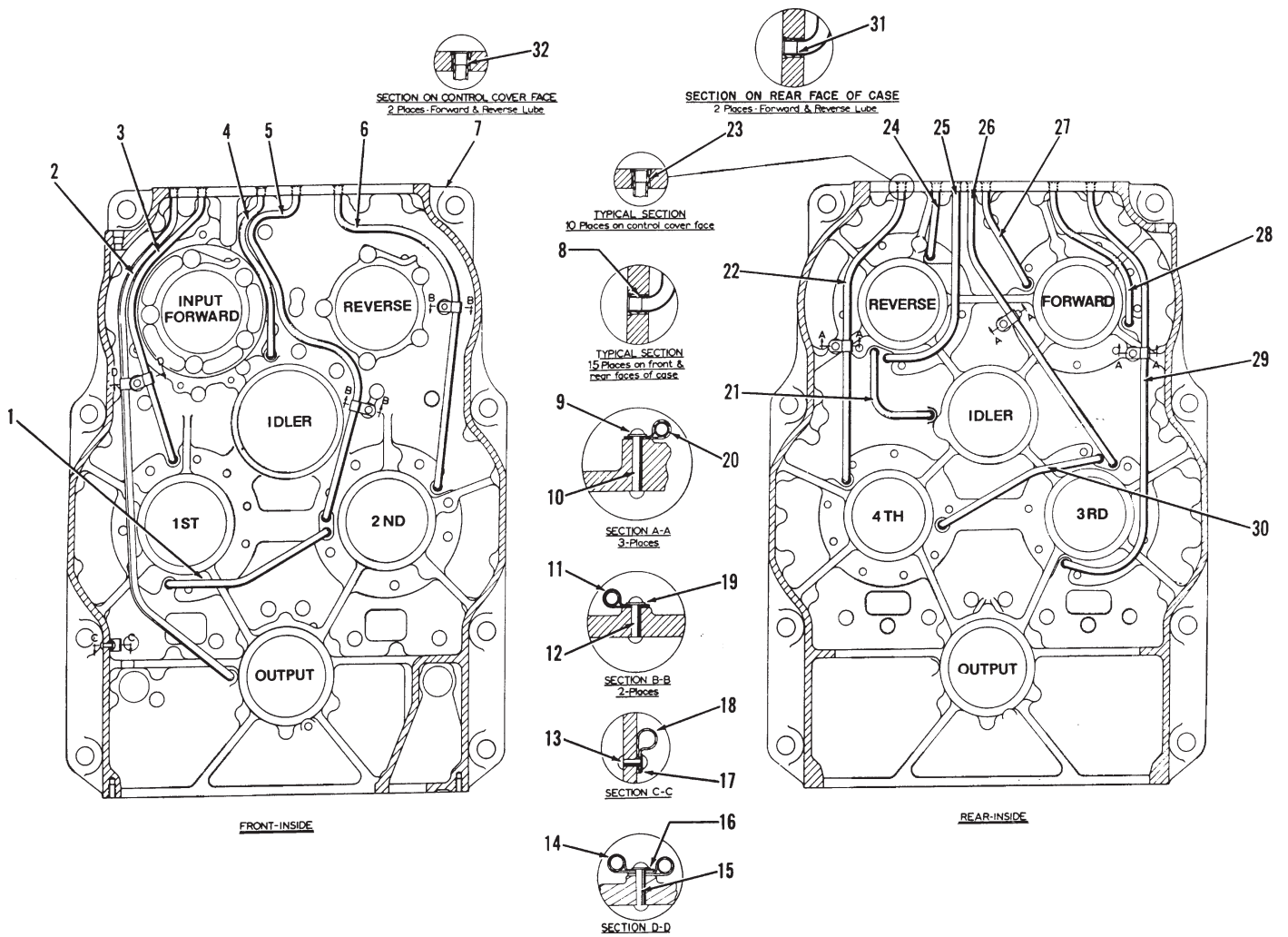
Transmission

Item	Part No.	Qty	Description	Item	Part No.	Qty	Description
163	*a 203540	1	. O-ring	188	-----	1	.. Washer
164	*a 212305	AR	. Shim	189	*a 242547	1	. Gasket (3rd)
164A	*a 212306	AR	. Shim	189A	*a 248017	1	. Cover Plate Gasket (4th)
164B	*a 212307	AR	. Shim	190	242548	1	. Cover Plate (3rd)
165	212308	1	. Cap, Flange End	190A	248018	1	. Cover Plate (4th)
166	212309	1	. Flange	190B	218457	2	. Dowel, Not illustrated
167	200604	6	. Washer, Lock	191	218373	24	. Capscrew
168	200572	6	. Capscrew	192	-----	24	.. Washer
169	*a 212310	1	. O-Ring	196	00186282	20	. Cover Plate Screw
170	212311	1	. Washer	196A	201567	20	. Lockwasher
171	R13804465	1	. Pin, Cotter	197	242549	1	. Plate, Cover
172	212312	1	. Nut, Slotted	198	*a 242551	2	. Gasket
173	221135	1	. Gear	198A	242550	1	. Spacer, Not Illustrated
174	212276	1	. Spacer	199	248019	1	. Clutch Cover (3rd and 4th)
175	212273	1	. Spacer	199A	212486	2	. Pin, Dowel, Not Illustrated
176	*a 212272	1	. Bearing	200	*a 212313	1	. Gasket
177	214779	1	. Ball, Steel	201	-----	1	. Shaft, See Pg 11
178	200694	1	. Nut	202	-----	1	. Bushing, See Pg 11
179	*a 200696	1	. Nut, Lock	203	-----	1	. Disconnect Assy, See Pg 11
180	200694	1	. Nut	207	*a R238535	1	. Breather, Not Illustrated
181	222866	1	. Support, Clutch	208	209505	1	. Bushing, Not Illustrated
182	237295	8	. Capscrew	209	209916	1	. Oil Level Plug, Not Illustrated
183	*a 221129	2	. Ring	210	209512	2	. Oil Level Plug, Not Illustrated
184	*a 221130	2	. Spring				
185	-----	1	. Clutch Assy, 4th - See Pg 9				
186	*a 234564	1	. Ring, Snap				
187	218373	33	. Capscrew				

AR As Required
 NSS Not Sold Separately
 *a Included in 583010 Transmission Service Kit



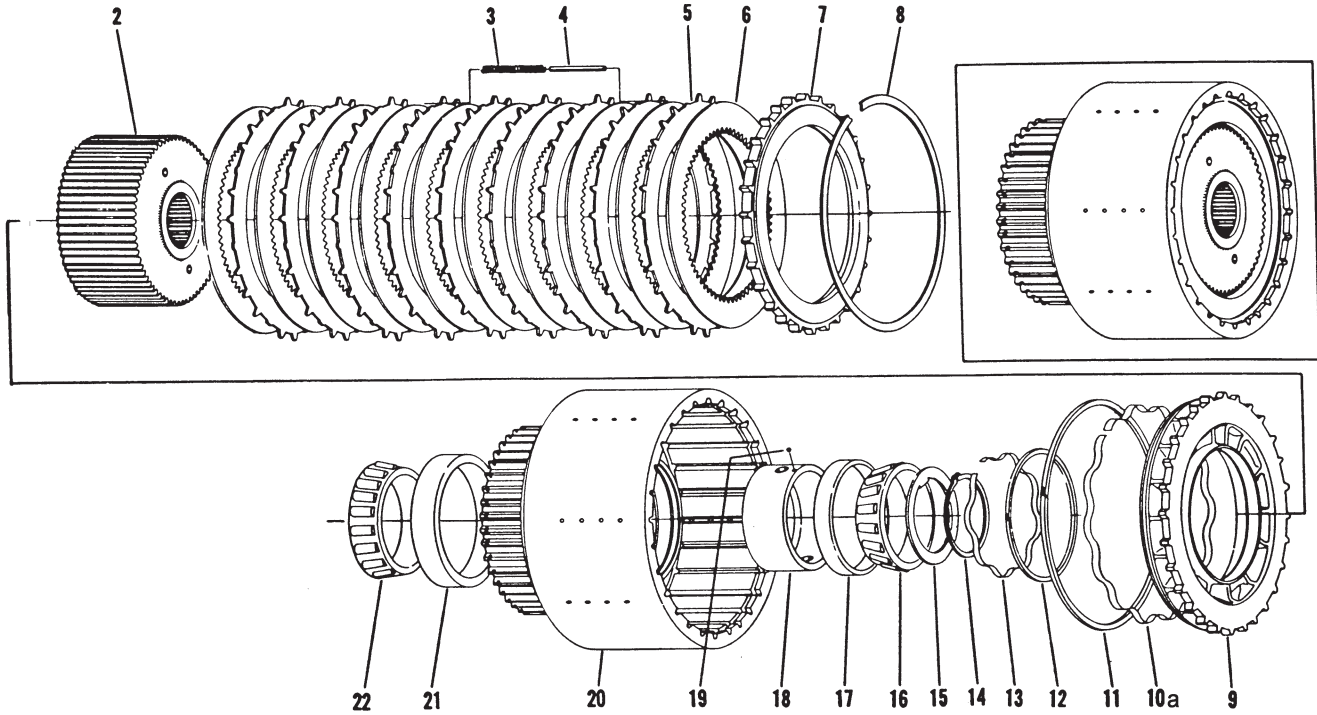
Transmission Case Assembly



Item	Part No.	Qty	Description	Item	Part No.	Qty	Description
	247061		Transmission Case Assembly				
1	212315	1	. Tube	18	212327	1	. Tube Clip
2	240891	1	. Tube	19	R13802621	2	. Washer
3	212316	1	. Tube	20	212323	3	. Tube Clip
4	229996	1	. Tube	21	229998	1	. Tube
5	229997	1	. Tube	22	212329	1	. Tube
6	212318	1	. Tube	23	212320	10	. Tube Sleeve
7	NSS	1	. Trans Case	24	212330	1	. Tube
8	212320	15	. Tube Sleeve	25	223222	1	. Tube
9	R13802621	3	. Washer	26	212332	1	. Tube
10	212322	3	. Rivet	27	223223	1	. Tube
11	212323	2	. Tube Clip	28	212334	1	. Tube
12	212324	3	. Rivet	29	212335	1	. Tube
13	212325	1	. Rivet	30	212336	1	. Tube
14	212323	2	. Tube Clip	31	219757	2	. Tube Sleeve
15	240892	1	. Rivet	32	219757	2	. Tube Sleeve
16	R13802621	2	. Washer				
17	R13802619	1	. Washer				

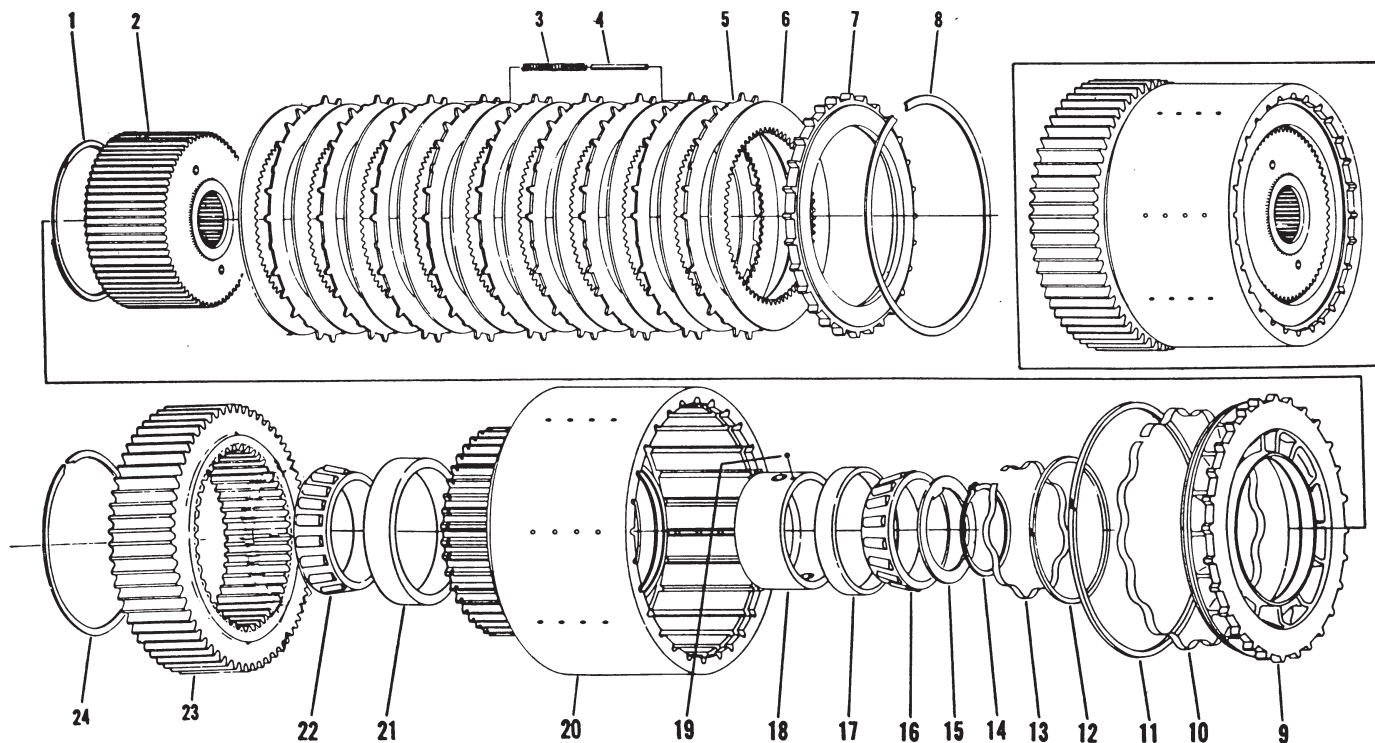
NSS Not Sold Separately

3rd Clutch Group



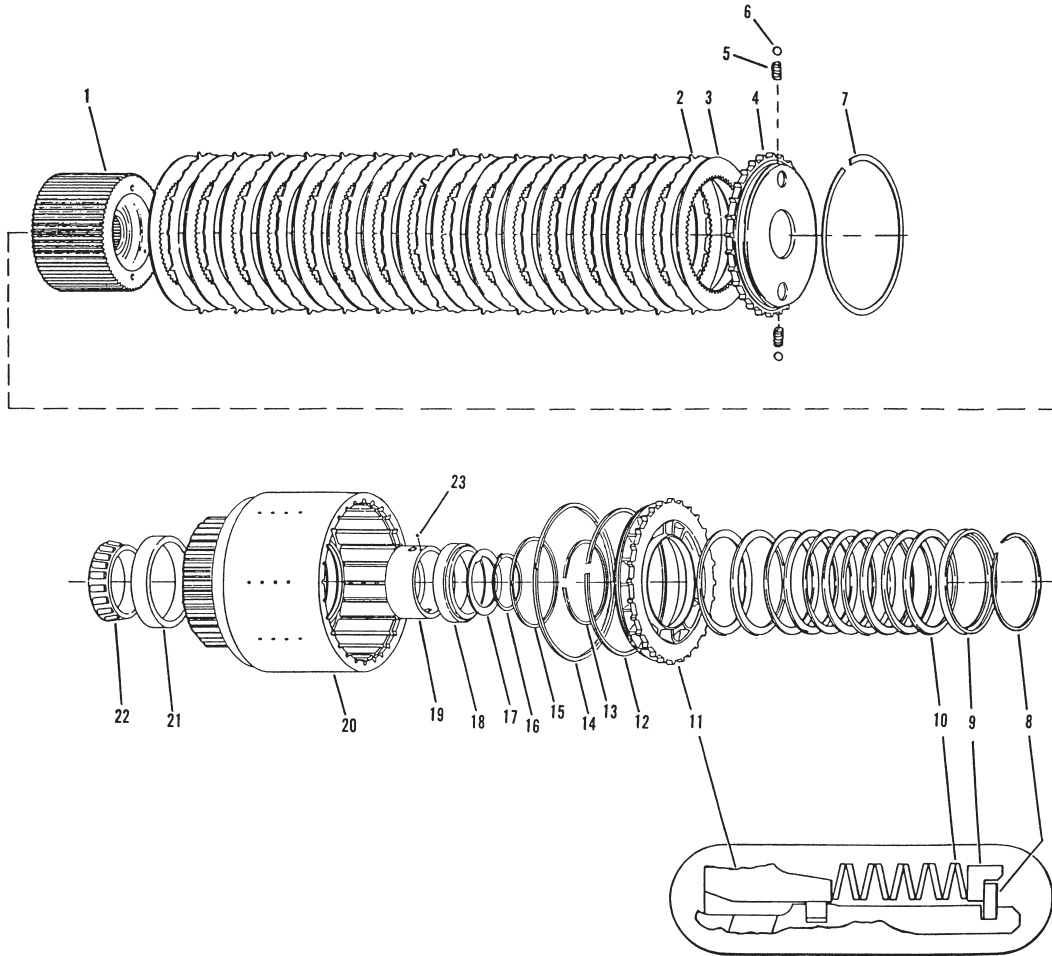
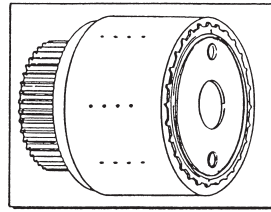
Item	Part No.	Qty	Description	Item	Part No.	Qty	Description
3rd Clutch							
2	212338	1	. Disc Hub Assembly	14	*a 232249	AR	. Ring, Snap
3	212339	8	. Spring, Disc	14a	232250	AR	. Ring, Snap
4	212340	8	. Pin	15	*a 232251	AR	. Washer, Keyed
5	R4095310	9	. Disc	15a	*a 232252	AR	. Washer, Keyed
6	212342	10	. Disc, Inner	15b	*a 232253	AR	. Washer, Keyed
7	212343	1	. Plate, End	16	*a 240238	1	. Bearing, Roller
8	*a 212348	1	. Ring, Snap	17	NSS	1	. Bearing Cup
9	212349	1	. Piston	18	228759	1	. Race, Piston Ring
10	*a 230770	1	. Kit, Piston Ring	19	212358	1	. Ball, Steel
10a	NSS	1	.. Ring, Piston	20	222889	1	. Clutch Drum
11	NSS	1	.. Ring, Piston	21	*a 222872	1	. Bearing Cup
12	*a R802237	1	. Kit, Piston Ring	22	*a 222871	1	. Bearing Cone
13	NSS	1	.. Ring, Piston				
	NSS	1	.. Spring				
				AR	As Required		
				NSS	Not Sold Separately		
				*a	Included in 583010 Transmission Service Kit		

1st & 2nd Clutch Group



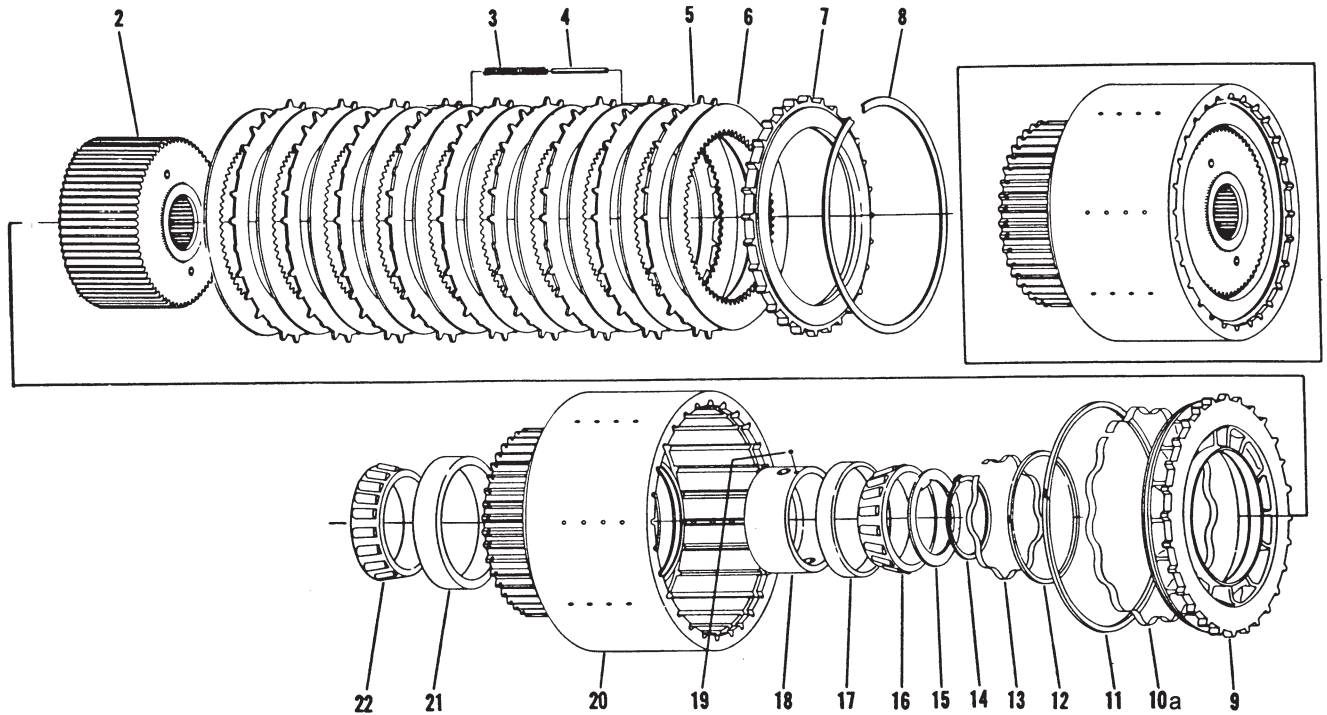
Item	Part No.	Qty	Description	Item	Part No.	Qty	Description
1st & 2nd Clutch Group							
1	*a 212362	1	. Ring	14a	*a 219768	AR	. Snap Ring (.111/.117)
2	219766	1	. Hub Assy, Disc	14b	*a 247059	AR	. Snap Ring (.102/.108)
3	212339	7	. Spring, Disc	15	223227	1	. Washer
4	212340	7	. Pin	16	*a 219769	1	. Bearing Cone
5	212364	9	. Disc, Outer	17	*a 202852	1	. Bearing Cup
6	249663	10	. Disc, Inner	18	219770	1	. Race
7	212366	1	. Plate	19	212358	1	. Ball, Steel
8	*a 212367	1	. Ring, Snap	20	219771	1	. Brake Drum
9	212368	1	. Piston	21	*a 219772	1	. Bearing Cup
10	*a 230001	1	. Spring, Expander	22	*a 219773	1	. Bearing Cone
11	*a 230002	1	. Spring, Piston	23	247062	1	. Drum Gear
12	*a 230000	1	. Ring, Piston	24	*a 212379	1	. Ring, Snap
13	*a 229999	1	. Spring, Expander				
14	*a 219767	AR	. Snap Ring (.119/.125)				
				AR	As Required		
				*a	Included in 583010 Transmission Service Kit		

Forward & Reverse Clutch



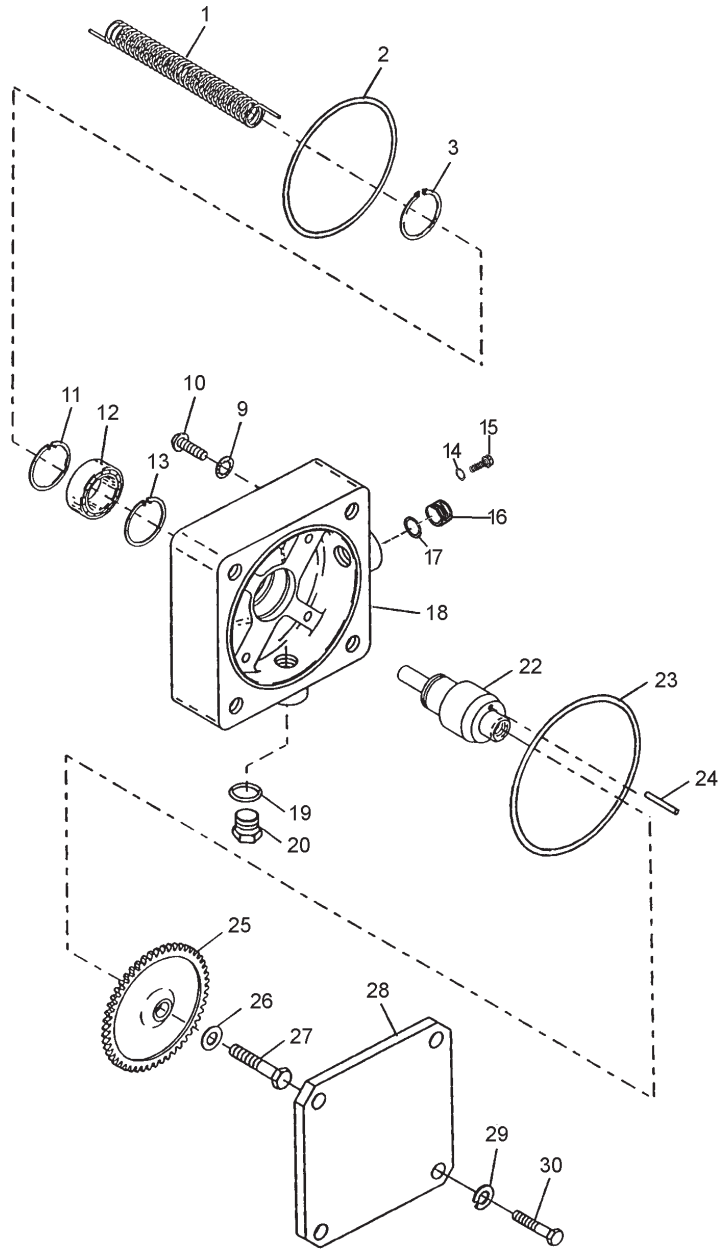
Item	Part No.	Qty	Description	Item	Part No.	Qty	Description
248022 Forward & Reverse Clutch							
1	248023	1	. Disc Hub and Washer Assy	16	*b 232249	AR	. Ring, Snap
2	248024	15	. Outer Clutch Disc	16a	232250	AR	. Ring, Snap
3	248025	16	. Inner Clutch Disc	17	232251	AR	. Washer, Keyed
4	248026	1	. End Plate	17a	232252	AR	. Washer, Keyed
5	248027	2	. End Plate Spring	17b	232253	AR	. Washer, Keyed
6	214779	2	. Ball, Steel	18	*b 240238	1	. Bearing, Roller
7	*b 248028	1	. End Plate Retaining Ring	19	228759	1	. Race, Piston Ring
8	248029	1	. Spring Retainer	20	*a 248035	1	. Clutch Drum Assy
9	248030	1	. Snap Ring Retainer	21	*b 222872	1	. Bearing Cup
10	248031	1	. Disc Spring Assy	22	*b 222871	1	. Bearing Cone
11	248032	1	. Clutch Piston	23	212358	1	. Ball, Steel
12	*b 248033	1	. Expander Ring				
13	*b R11786	1	. Spring				
14	*b 248034	1	. Piston Ring				
15	*b R11787	1	. Ring, Piston				
				AR	As Required		
				*a	Includes Items 19 and 23		
				*b	Included in 583010 Transmission Service Kit		

4th Clutch Group



Item	Part No.	Qty	Description	Item	Part No.	Qty	Description
248021 4th Clutch							
2	241138	1	. Adapter, Disc Hub & Pump	14A	232250	AR	. Ring, Snap
3	212339	8	. Spring, Disc	15	232251	AR	. Washer, Keyed
4	212340	8	. Pin	15A	232252	AR	. Washer, Keyed
5	R4095310	9	. Disc	15B	232253	AR	. Washer, Keyed
6	212342	10	. Disc, Inner	16	*a 240238	1	. Bearing Assembly
7	212343	1	. Plate, End	17	NSS	1	. Bearing Cup
8	*a 212348	1	. Ring, Snap	18	228759	1	. Race, Piston Ring
9	212349	1	. Piston	19	212358	1	. Ball, Steel
10	*a 230770	1	. Kit, Piston Ring	20	222889	1	. Clutch Drum
10a	NSS	1	. Ring, Piston	21	*a 222872	1	. Bearing Cup
11	NSS	1	. Ring, Piston	22	*a 222871	1	. Bearing Cone
12	*a R11787	1	. Ring, Piston				
13	*a R11786	1	. Spring				
14	*a 232249	AR	. Ring, Snap				
				AR	As Required		
				NSS	Not Sold Separately		
				*a	Included in 583010 Transmission Service Kit		

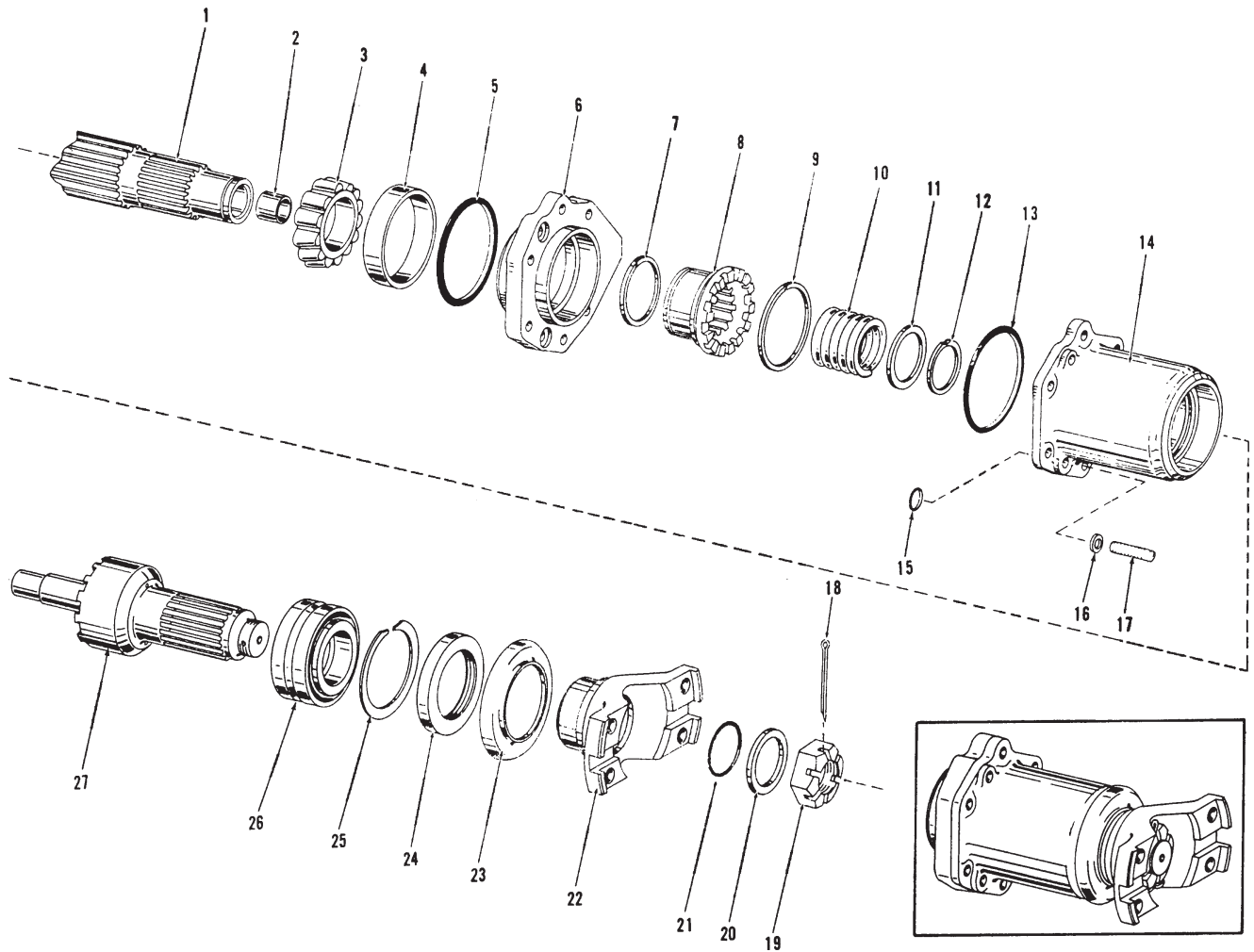
Speed Sensor Installation



Item	Part No.	Qty	Description	Item	Part No.	Qty	Description
248041 Speed Sensor							
1	248042	1	. Spring	19	*a 203431	1	. O-Ring
2	*a 203535	1	. O-Ring	20	245075	1	. Plug, Screw
3	*a 245072	1	. Ring, Snap	22	245076	1	. Shaft, Drive
9	217798	4	. Washer	23	*a 203541	1	. O-Ring
10	245073	4	. Capscrew	24	245077	1	. Pin, Spring
11	*a 241548	1	. Ring, Snap	25	245078	1	. Gear
12	*a 241547	1	. Bearing	26	218433	1	. Washer, Plain
13	*a 241548	1	. Ring, Snap	27	R13807912	1	. Capscrew
14	248043	1	. Screw	28	212492	1	. Cover
15	R13802619	1	. Flat Washer	29	200604	4	. Lockwasher
16	228773	1	. Plug	30	00179879	4	. Screw
17	*a 16485W	1	. O-ring				
18	248044	1	. Housing				

*a Included in 583010 Transmission Service Kit

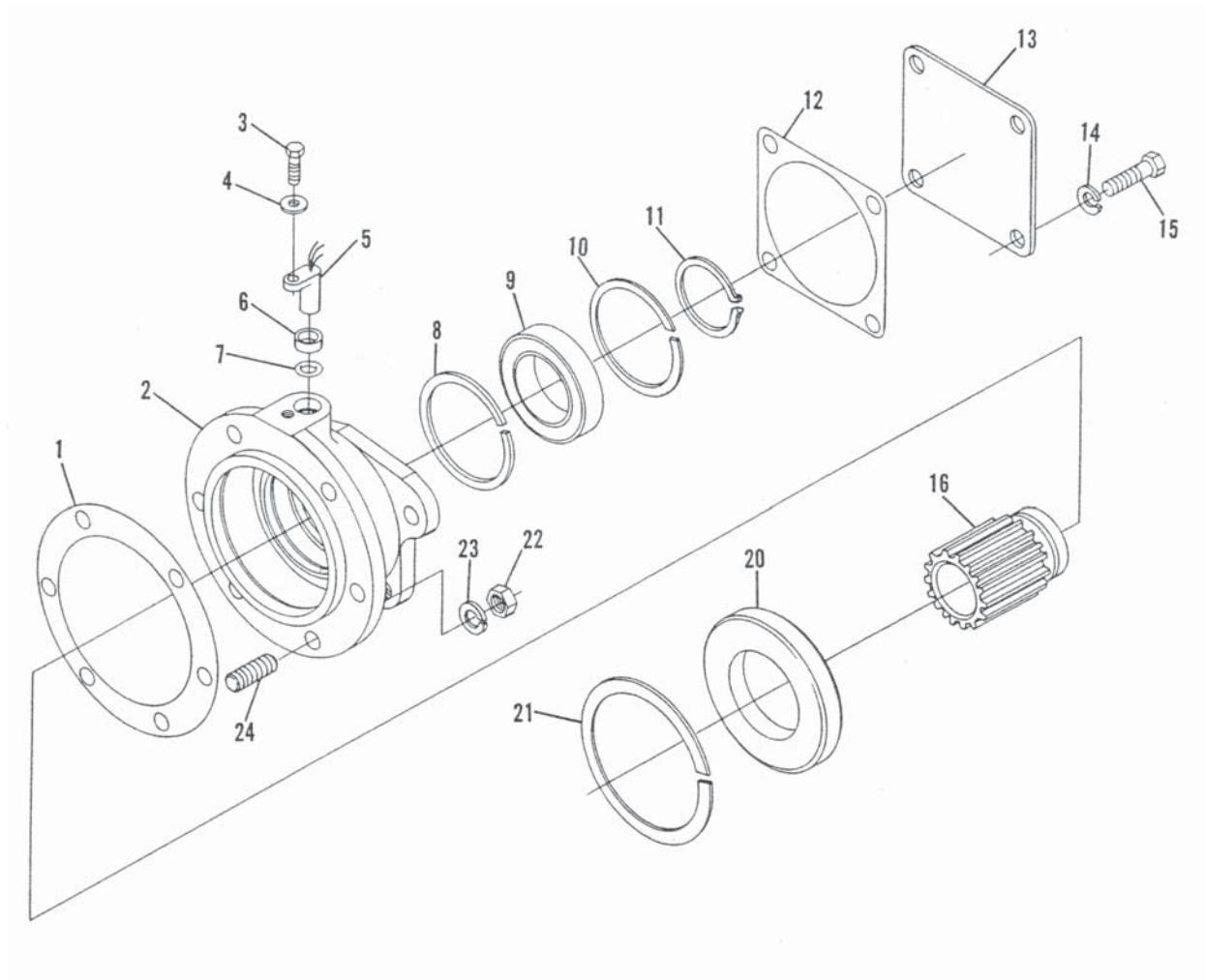
Disconnect Assembly



Item	Part No.	Qty	Description	Item	Part No.	Qty	Description
Disconnect Assembly							
1	240799	1	. Output Shaft	14	240803	1	. Disconnect Housing
2	*a 212290	1	. . Bushing	15	*a 15862W	5	. O-Ring
3	*a 212289	1	. Bearing Cone	16	200604	6	. Lockwasher
4	*a 206540	1	. Bearing Cup	16A	255771	6	. Nut (Not Illustrated)
5	*a 203540	1	. O-Ring	17	240804	6	. Stud
6	252363	1	. Adapter	18	R13804465	1	. Cotter Pin
6A	** R13801762	1	. . Adapter Housing Plug	19	212312	1	. Nut
7	*a 221129	1	. Piston Ring	20	212311	1	. Washer
7A	*a 221130	1	. Piston Ring Expander Ring	21	*a 212310	1	. O-Ring
8	248388	1	. Shift Hub	22	230011	1	. Flange & Deflector Assembly
9	*a 219676	1	. Piston Ring	23	230010	1	. . Deflector
9A	*a 219677	1	. Piston Ring Expander Ring	24	*a 230009	1	. Oil Seal
10	240802	1	. Spring	25	*a 240156	1	. Snap Ring
11	*a 240154	1	. Washer	26	*a 240157	1	. Bearing
12	*a 240155	1	. Snap Ring	27	248387	1	. Shaft Assembly
13	*a 55289W	1	. O-Ring				

*a Included in 574042 Service Kit
 ** Not Illustrated

Emergency Steer Pump Mounting

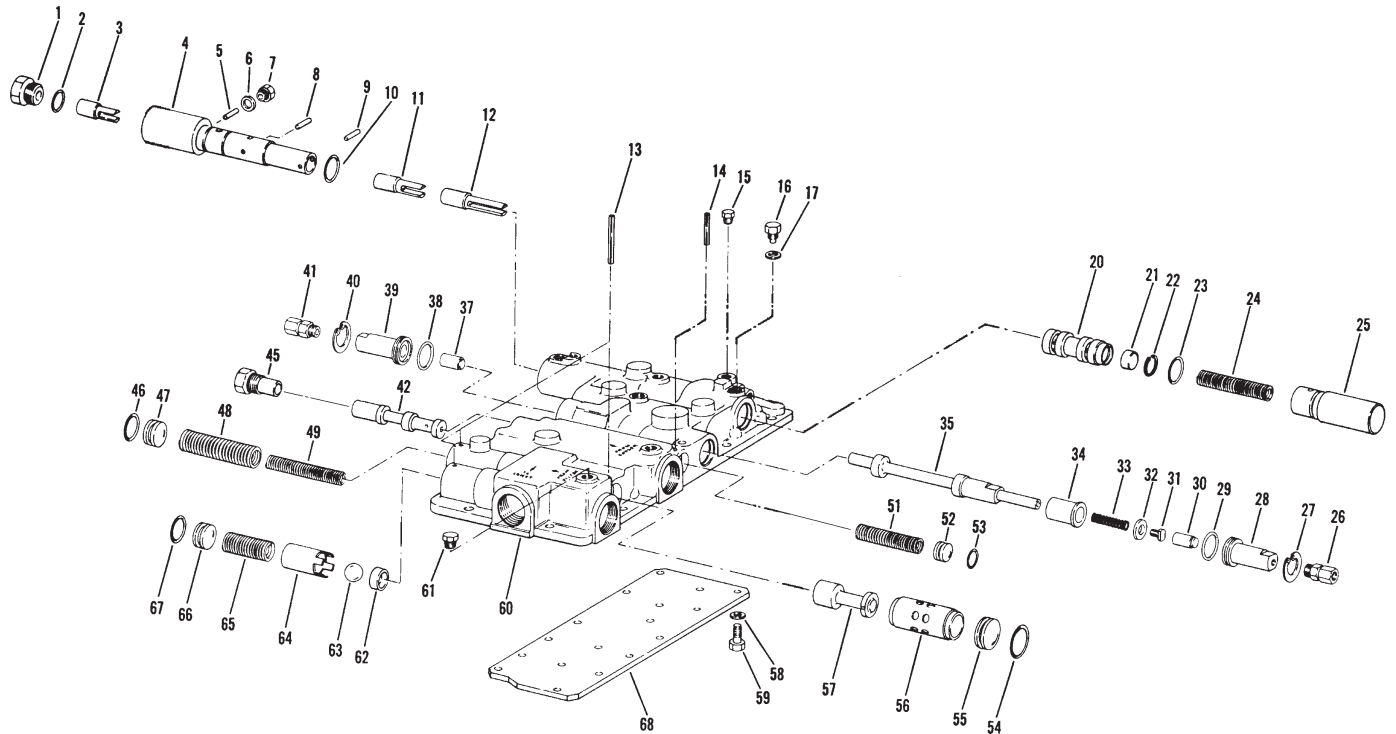


Item	Part No.	Qty	Description	Item	Part No.	Qty	Description
258888 Emergency Steer Pump Mtg							
1	*a 240529	1	. Gasket	15	00179881	2	. Screw
2	248037	1	. Steer Pump Adaptor	16	241139	1	. Sleeve, Pump Drive
5	229383	1	. Plug	20	240527	1	. Dam, Oil
7	*a 16485W	1	. O-Ring	21	*a 248040	1	. Snap Ring
8	*a R12967794	1	. Ring, Snap	22	R13803692	6	. Nut, Hex
9	*a R7019578	1	. Bearing	23	240533	6	. Lockwasher
10	*a R12967794	1	. Ring, Snap	24	233078	6	. Stud
11	*a R11992915	1	. Snap Ring	25	* 237575	1	. Coupler
12	*a 248038	1	. Gasket	26	* 215132	1	. Ring, Snap
13	248039	1	. Cover	27	*a R224039	1	. Ring, Snap
14	200604	2	. Lockwasher				

* Not Illustrated

*a Included in 583010 Transmission Service Kit

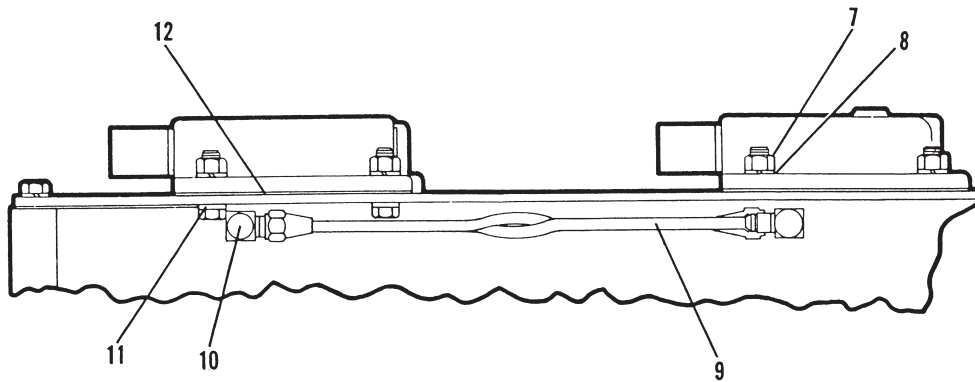
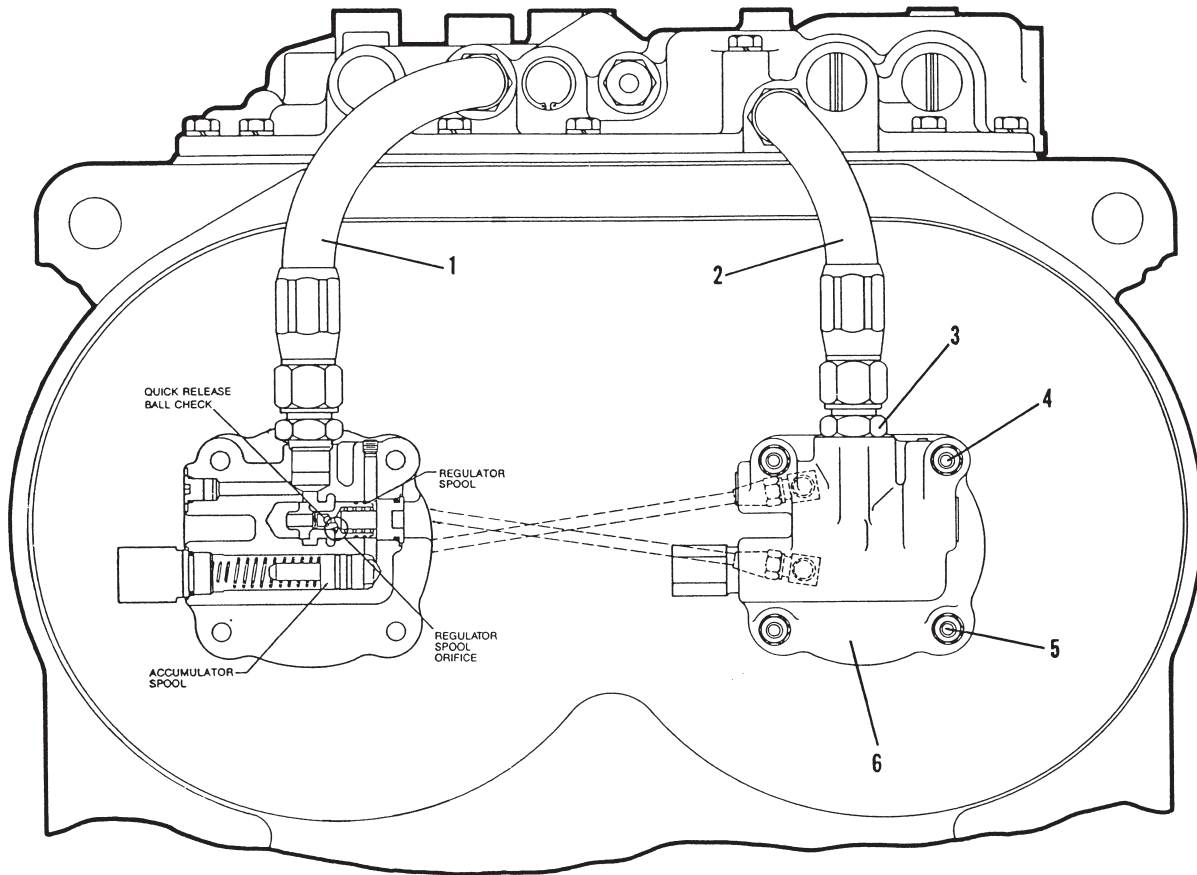
Control Valve Assembly



Item	Part No.	Qty	Description	Item	Part No.	Qty	Description
244863 Control Valve Assembly							
1	219817	1	. Plug	35	244864	1	. Spool, Fwd. & Rev.
2	*a 16485W	1	. O-Ring	37	232258	1	. Piston, Fwd. & Rev.
3	219818	1	. Valve	38	*a 232257	1	. O-Ring
4	219819	1	. Housing	39	232256	1	. Guide, Piston
5	219820	1	. Pin	39A	244865	1	. Spacer
6	*a 219821	1	. Washer	40	*a 212395	1	. Snap Ring
7	219822	1	. Plug	41	219839	1	. Adaptor
8	219820	1	. Stop Pin	42	240240	1	. Spool, Shut-Off
9	219820	1	. Stop Pin	45	215250	1	. Plug (Not as Shown)
10	*a 17304	1	. O-Ring	46	*a 212380	1	. O-Ring
11	219824	1	. 2nd Speed Valve	47	212381	1	. Stop
12	219825	1	. 1st Speed Valve	48	*a 212382	1	. Spring, Outer
13	212400	3	. Roll Pin	49	*a 212425	1	. Spring, Inner
14	212402	1	. Roll Pin	51	*a 212414	1	. Spring
15	212762	1	. Plug	52	212411	1	. Stop
16	219826	2	. Plug	53	*a 203430	1	. O-Ring
17	*a 219827	2	. Washer	54	*a 203444	1	. O-Ring
20	219828	1	. Selector Valve	55	212409	1	. Stop
21	219829	1	. Plug	56	212410	1	. Sleeve
22	*a 219830	1	. Snap Ring	57	212413	1	. Spool, Regulating
23	*a 17304	1	. O-Ring	58	201567	16	. Lockwasher
24	*a 219831	1	. Spring	59	212417	16	. Capscrew
25	219832	1	. End Plug Housing	60	244866	1	. Control Cover
26	219839	1	. Adaptor	61	209423	7	. Plug
27	*a 212395	1	. Snap Ring	62	212426	1	. Seat
28	232256	1	. Guide, Piston	63	212427	1	. Ball
29	*a 232257	1	. O-Ring	64	212429	1	. Spacer
30	232258	1	. Piston, Fwd. & Rev.	65	*a 212428	1	. Spring
31	232259	1	. Stop	66	212381	1	. Stop
32	232260	1	. Spacer	67	*a 212380	1	. O-Ring
33	*a 232261	1	. Spring	68	212419	1	. Plate, Control Cover
34	232262	1	. Sleeve	69	* 212762	1	. Fitting

* Not Illustrated
 *a Included in 581904 Service Kit

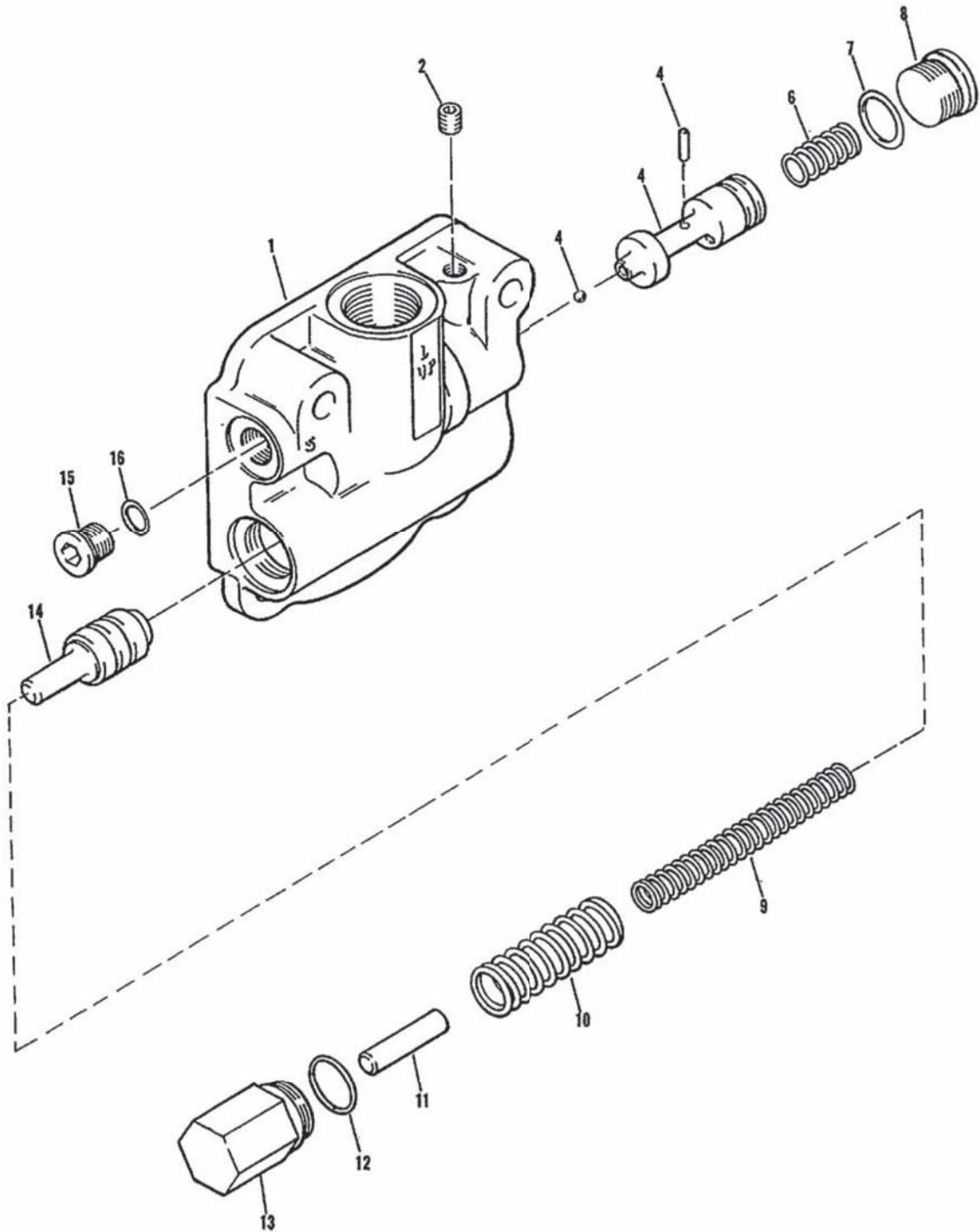
Modulator Valve Installation



Item	Part No.	Qty	Description	Item	Part No.	Qty	Description
Modulator Valve Installation				7	00102635	8	. Nut
1	242567	1	. Hose Assy	8	201567	8	. Lockwasher
2	242568	1	. Hose Assy	9	227825	1	. Plug
3	209215	4	. Fitting	10	227825	1	. Plug
4	201610	4	. Screw	11	R851374	8	. Washer
5	00180124	4	. Screw	12	*a 242572	2	. Gasket
6	242569	2	. Valve, Modulator				

*a Included in 583010 Transmission Service Kit

Modulator Valve Assembly



Item	Part No.	Qty	Description	Item	Part No.	Qty	Description
	242569		Modulator Valve Assembly				
2	228775	1	. Plug	12	*a 209207	1	. O-Ring
4	NSS	1	. Spool, Regulator	13	242574	1	. Plug
6	228774	1	. Spring, Regulator	14	NSS	1	. Spool, Accumulator
7	*a 209207	1	. O-Ring	15	229383	1	. Plug
8	228773	1	. Plug	16	*a 211564	1	. O-Ring
9	242522	1	. Spring, Inner				
10	242523	1	. Spring, Outer				
11	242573	1	. Pin				

*a Included in 583010 Transmission Service Kit
 NSS Not Sold Separately