



21433 SW Oregon Street  
Sherwood, Oregon 97140  
USA  
Tel (503) 625-2560 • Fax (503) 625-5132

# PARTS BULLETIN

DATE: August 13, 2013

BULLETIN NO. \_\_\_\_\_ PMB1303

PAGE: 1 of 7

MODEL(S): \_\_\_\_\_ SW80,L80,L90,L100D,L120D, L4115,L4130

SECTION: \_\_\_\_\_ 4-5 (Air & Brake Systems)

ATTENTION: PARTS AND SERVICE MANAGERS

SUBJECT: **Kit - Brake Actuator Replacement**

Brake actuator assembly 220267 (consisting of air chamber 222010 and master cylinder 222231) has been discontinued. See specific model application starting on page 2 for your replacement kit.

**KIT SELECTION GUIDE**

MODEL	BRAKE SYSTEM	KIT TO USE
CH70/MH80	556101	590077
L100	563893	589932
L100	564930	589932
L100	568426	589931
L100	568607	589931
L100	573663	589931
L100	574118	589931
L120	544905	589931
L120	554512	589931
L120	566471	589932
L120	574207	589932
L120	574506	589932
L120	577319	589935
L120	577389	589932
L4115	572572	589932
L4115	576934	589937
L4130	570687	589933
L4130	573486	589934
L4130	574852	589934
L41300	558873	589934
L80	556211	590077
L80	568465	589936
L90	550154	589931
L90	554479	589932
L90	557811	589931
L90	573490	589931
L90	574002	589931
MJ9090	560828	589937
MJM90	565025	589936
NCH35	571560	590077
SW100	569754	589938

NA - Not Applicable

**KIT 589931**

ITEM	PART NUMBER	DESCRIPTION	QTY
0	PMB1303	Parts Bulletin	1
1	589908	Actuator, Mnt	2
2	NA		
3	589890	Actuator, Assy	2
4	200268	Breather	2
5	15280	Fitting	2
6	209414	Fitting	2
7	Y18C-1032	Capscrew	6
8	234271	Washer, Hard	6
9	589943	Hose Assy	2
10	NA		
11	NA		
12	NA		

**KIT 589932**

ITEM	PART NUMBER	DESCRIPTION	QTY
0	PMB1303	Parts Bulletin	1
1	589908	Actuator, Mnt	2
2	NA		
3	589890	Actuator, Assy	2
4	200268	Breather	2
5	15280	Fitting	2
6	209414	Fitting	2
7	Y18C-1032	Capscrew	6
8	234271	Washer, Hard	6
9	589945	Hose Assy	2
10	NA		
11	NA		
12	NA		

**KIT 589933**

ITEM	PART NUMBER	DESCRIPTION	QTY
0	PMB1303	Parts Bulletin	1
1	589908	Actuator, Mnt	1
2	589911	Actuator, Mnt	1
3	589890	Actuator, Assy	3
4	200268	Breather	3
5	15280	Fitting	3
6	209414	Fitting	3
7	Y18C-1032	Capscrew	9
8	234271	Washer, Hard	9
9	589951	Hose Assy	2
10	NA		
11	589946	Hose Assy	1
12	NA		

KIT 589934			
ITEM	PART NUMBER	DESCRIPTION	QTY
0	PMB1303	Parts Bulletin	1
1	NA		
2	589911	Actuator, Mnt	2
3	589890	Actuator, Assy	4
4	200268	Breather	4
5	15280	Fitting	4
6	209414	Fitting	4
7	Y18C-1032	Capscrew	12
8	234271	Washer, Hard	12
9	589951	Hose Assy	2
10	589948	Hose Assy	1
11	589946	Hose Assy	1
12	589942	Hose Assy	1

KIT 589937			
ITEM	PART NUMBER	DESCRIPTION	QTY
0	PMB1303	Parts Bulletin	1
1	589908	Actuator, Mnt	2
2	NA		
3	589890	Actuator, Assy	2
4	200268	Breather	2
5	15280	Fitting	2
6	209414	Fitting	2
7	Y18C-1032	Capscrew	6
8	234271	Washer, Hard	6
9	589950	Hose Assy	2
10	NA		
11	NA		
12	NA		

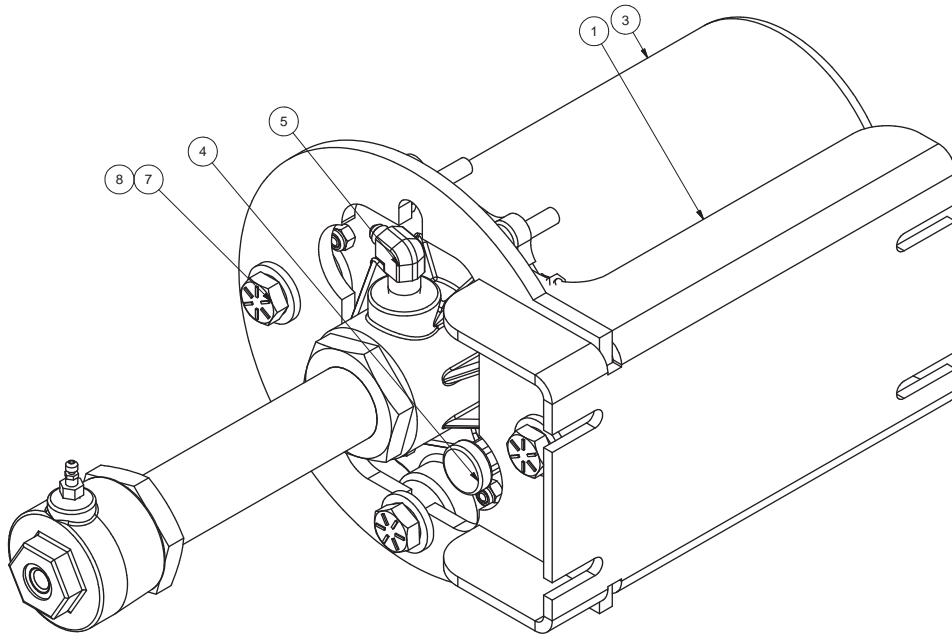
KIT 589935			
ITEM	PART NUMBER	DESCRIPTION	QTY
0	PMB1303	Parts Bulletin	1
1	NA		
2	589911	Actuator, Mnt	2
3	589890	Actuator, Assy	4
4	200268	Breather	4
5	15280	Fitting	4
6	209414	Fitting	4
7	Y18C-1032	Capscrew	12
8	234271	Washer, Hard	12
9	589944	Hose Assy	2
10	589944	Hose Assy	1
11	589944	Hose Assy	1
12	NA		

KIT 589938			
ITEM	PART NUMBER	DESCRIPTION	QTY
0	PMB1303	Parts Bulletin	1
1	589908	Actuator, Mnt	2
2	NA		
3	589890	Actuator, Assy	2
4	200268	Breather	2
5	15280	Fitting	2
6	209414	Fitting	2
7	Y18C-1032	Capscrew	6
8	234271	Washer, Hard	6
9	589947	Hose Assy	2
10	NA		
11	NA		
12	NA		

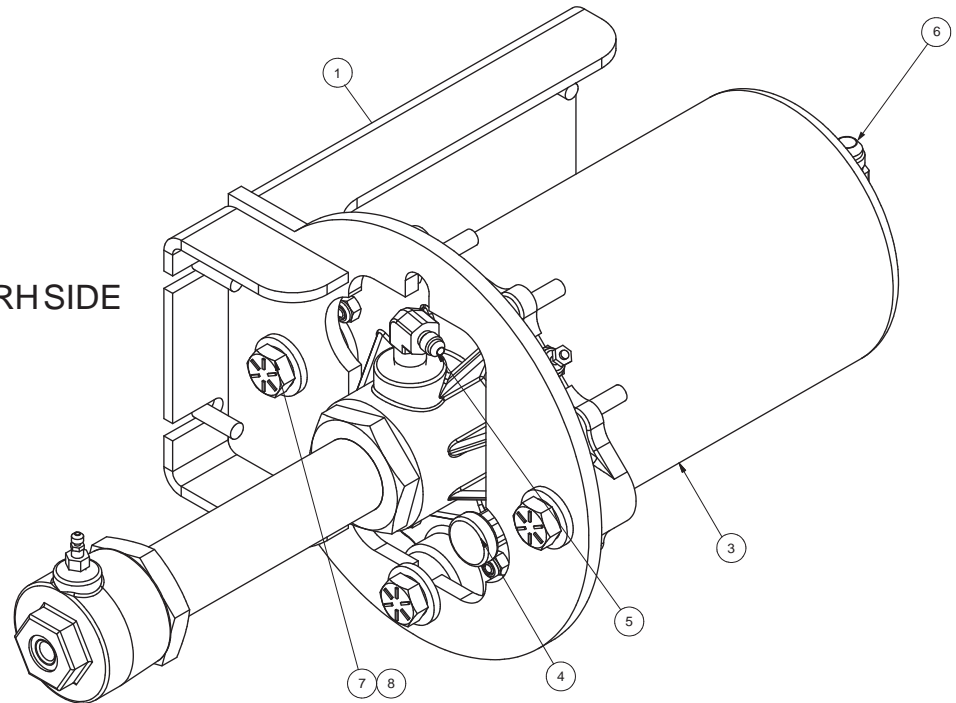
KIT 589936			
ITEM	PART NUMBER	DESCRIPTION	QTY
0	PMB1303	Parts Bulletin	1
1	589908	Actuator, Mnt	2
2	NA		
3	589890	Actuator, Assy	2
4	200268	Breather	2
5	15280	Fitting	2
6	209414	Fitting	2
7	Y18C-1032	Capscrew	6
8	234271	Washer, Hard	6
9	589949	Hose Assy	2
10	NA		
11	NA		
12	NA		

KIT 590077			
ITEM	PART NUMBER	DESCRIPTION	QTY
0	PMB1303	Parts Bulletin	1
1	589908	Actuator, Mnt	2
2	NA		
3	589890	Actuator, Assy	2
4	200268	Breather	2
5	15280	Fitting	2
6	209414	Fitting	2
7	Y18C-1032	Capscrew	6
8	234271	Washer, Hard	6
9	590082	Hose Assy	2
10	NA		
11	NA		
12	NA		

### ACTUATOR ASSEMBLY-LH SIDE

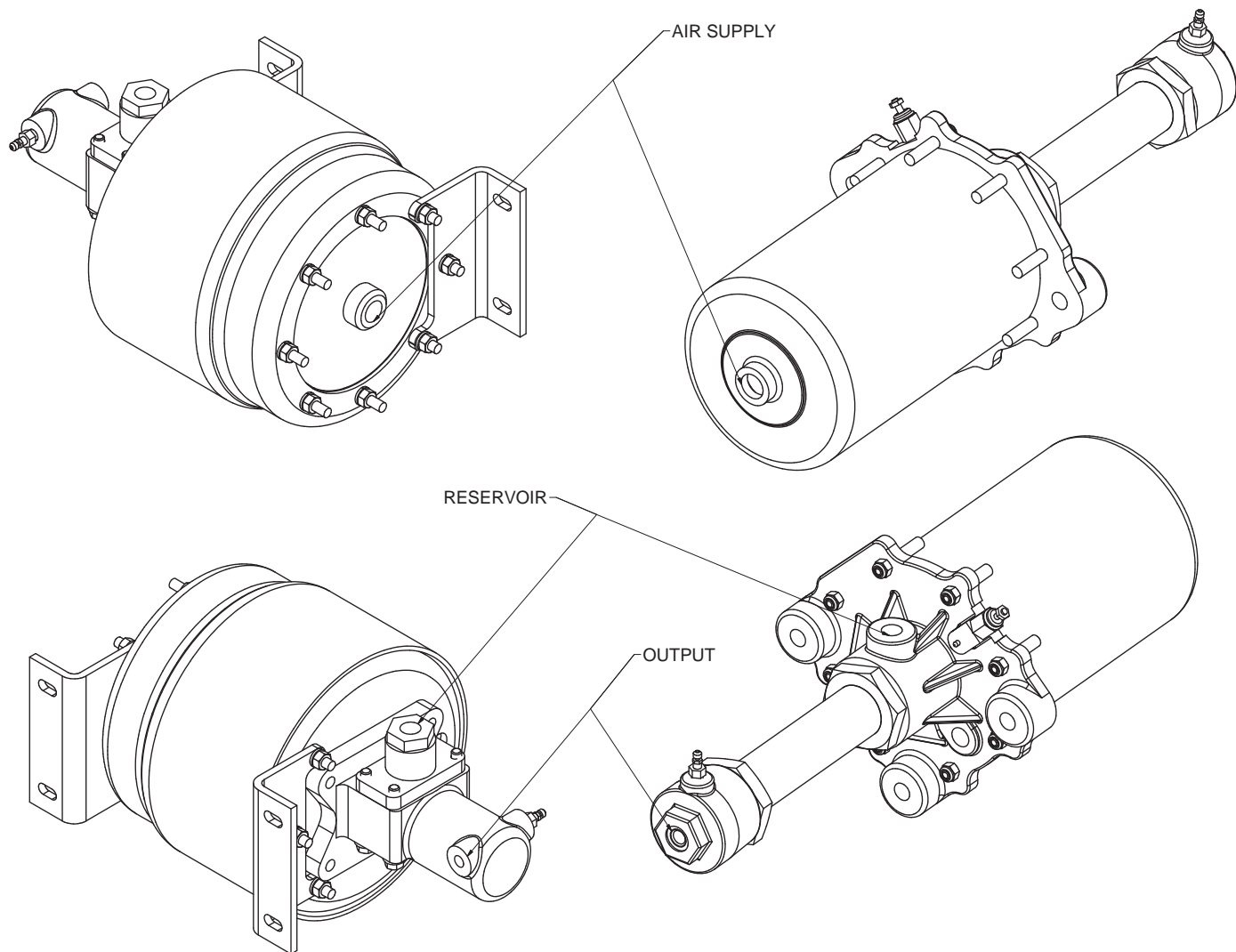


### ACTUATOR ASSEMBLY-RHSIDE



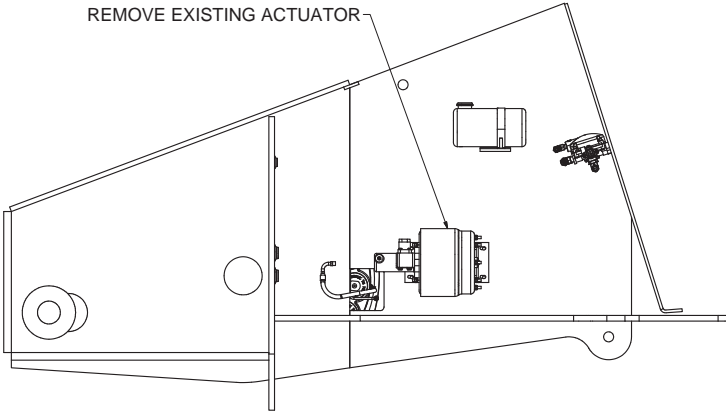
EXISTING ACTUATOR ASSEMBLY

NEW ACTUATOR  
ITEM 3

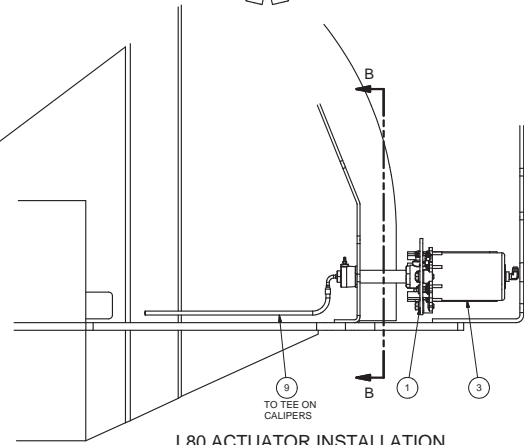
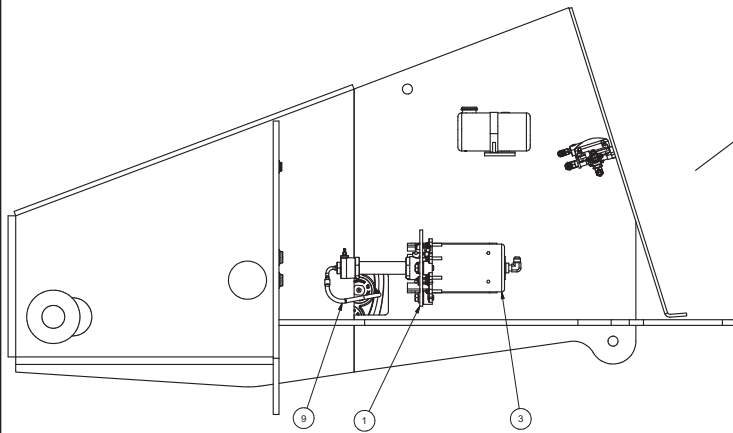
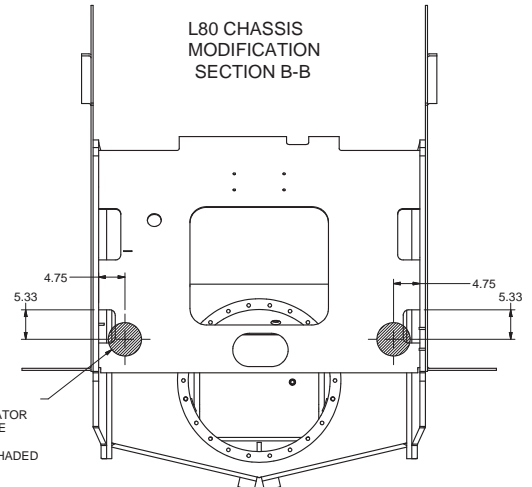


TYPICAL SINGLE ACTUATOR INSTALLATION  
RH SHOWN  
LH OPPOSITE  
CHASSIS DETAIL VARIES

REMOVE EXISTING ACTUATOR



L80 CHASSIS  
MODIFICATION  
SECTION B-B



L80 ACTUATOR INSTALLATION  
RH SHOWN  
LH OPPOSITE

TYPICAL TWO ACTUATOR INSTALLATION  
RH SHOWN  
LH OPPOSITE  
CHASSIS DETAIL VARIES

