

DATE: July 6, 2006

BULLETIN NO. _____ PMB0601

PAGE: 1 of 1

MODEL(S): _____ All Wagner Heavy Lift

SECTION: _____ 5-4 (Hydraulic System)

ATTENTION: PARTS AND SERVICE MANAGERS

SUBJECT: REPLACING CIRCUIT FLOW RESTRICTOR POPPETS ON HOIST & TILT CYLINDERS

Within the Hoist and Tilt circuits of most WAGNER Heavy Lift units, there are Flow Restrictor Poppets installed to prevent cylinder cavitation and control cylinder movement in case of hose or hydraulic system failure. These Restrictor Poppets are located at the base end of the Hoist Cylinders and at the stem end of Tilt (Stabilizer) Cylinders (see Figures 1 and 2).

Allied Systems Company strongly recommends that these Restrictor Poppets be replaced each time the cylinder is resealed.

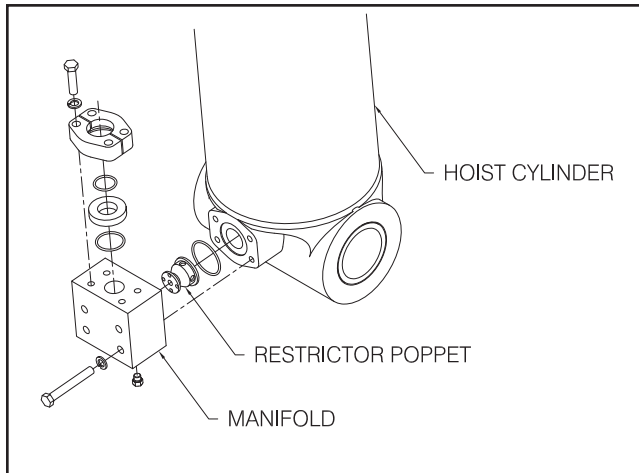


Figure 1. Hoist Cylinder

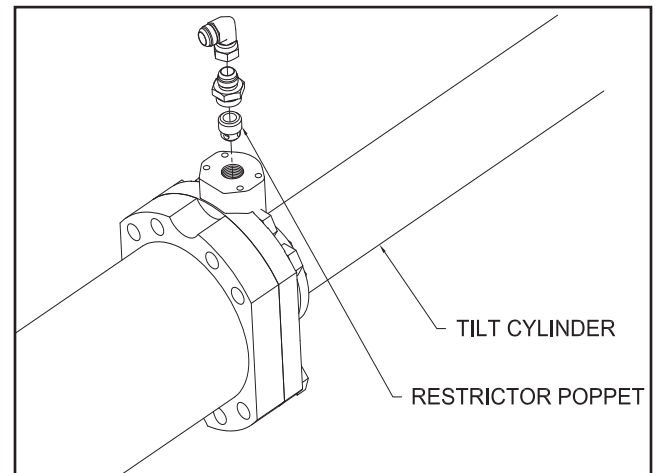


Figure 2. Tilt Cylinder



Figure 3. Damaged cylinder on log stacker



WARNING

Failure to replace Restrictor Poppets at the recommended intervals could result in severe damage to cylinders (see Figure 3) and/or injury to operating personnel.

For your convenience, Allied Systems Company has developed a series of new Cylinder Service Kits that include the necessary cylinder Packing Kit as well as the Restrictor Poppets. As an added incentive, these kits are priced at less than the price of the components if purchased individually. Contact your authorized WAGNER distributor for pricing.

BULLETIN NO: PMB0601
Date: July 6, 2006

To determine the correct Cylinder Service Kit for your application, refer to your WAGNER Parts Coverage for the applicable cylinder(s) and identify the part number for the original Packing Kit. Using Table 1 on the following page, locate the original Packing Kit part number on the chart and then select the appropriate Cylinder Service Kit from either the Hoist or Tilt Cylinder column.

NOTE: The Restrictor Poppets are different between Hoist and Tilt circuits, so it is important that you select from the appropriate column.

Original Packing Kit	Cyl Service Kit with Poppet (Hoist)	Cyl Service Kit with Poppet (Tilt)
566400	583067	583134
566401	583068	583131
566402	583069	N/A
566403	583070	583130
568937	583071	583132
572336	583072	583135
572952	583073	N/A
572953	583074	N/A
573162	583075	583133
576112	583076	583136

Table 1: Cylinder Kits

Contact the Allied Systems Company Parts or Service Department at 503-625-2560 if you have any questions.