



A single source for all your attachment and replacement fork needs

- Stock on hand in popular sizes
- Forks conform to current ISO and ANSI standards
- Custom designs to suit your application

ITA Class II Forks

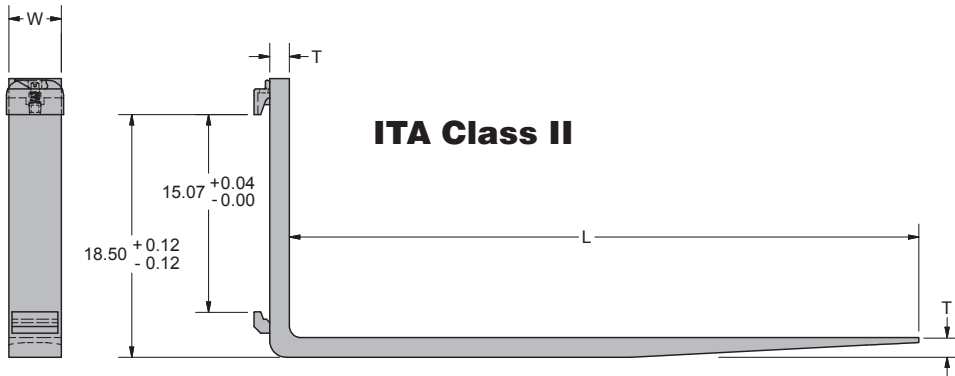
Part Number	T x W x L (in)	ITA Class	Weight (lbs)	Capacity per Pair (lbs) @ 24" Load Center
FACC03600STD	1.50 x 4 x 36	II	93	5,500
FACC04200STD	1.50 x 4 x 42	II	104	5,500
FACC04800STD	1.50 x 4 x 48	II	117	5,500
FACC05400STD	1.50 x 4 x 54	II	126	5,500
FACC06000STD	1.50 x 4 x 60	II	137	5,500
FACC07200STD	1.50 x 4 x 72	II	161	5,500
FACD04200STD	1.50 x 5 x 42	II	117	5,500
FACD04800STD	1.50 x 5 x 48	II	141	5,500
FACD05400STD	1.50 x 5 x 54	II	154	5,500
FACD06000STD	1.50 x 5 x 60	II	168	5,500
FACD07200STD	1.50 X 5 X 72	II	202	5,500
FADC03600STD	1.75 x 4 x 36	II	102	5,500
FADC04200STD	1.75 x 4 x 42	II	115	5,500
FADC04800STD	1.75 x 4 x 48	II	126	5,500
FADC05400STD	1.75 x 4 x 54	II	139	5,500
FADC06000STD	1.75 x 4 x 60	II	152	5,500
FADC07200STD	1.75 x 4 x 72	II	176	5,500
FADC08400STD	1.75 X 4 X 84	II	202	5,500
FADC09600STD	1.75 X 4 X 96	II	227	5,500
FADD04200STD	1.75 x 5 x 42	II	141	5,500
FADD04800STD	1.75 x 5 x 48	II	161	5,500
FADD05400STD	1.75 x 5 x 54	II	177	5,500
FADD06000STD	1.75 x 5 x 60	II	185	5,500

ITA Class III Forks

Part Number	T x W x L (in)	ITA Class	Weight (lbs)	Capacity per Pair (lbs) @ 24" Load Center
FBDD03600STD	1.75 X 5 X 36	III	139	7,600
FBDD04200STD	1.75 X 5 X 42	III	152	7,600
FBDD04800STD	1.75 X 5 X 48	III	170	7,600
FBDD05400STD	1.75 X 5 X 54	III	189	7,600
FBDD06000STD	1.75 X 5 X 60	III	205	7,600
FBDD07200STD	1.75 X 5 X 72	III	235	7,600
FBDD08400STD	1.75 X 5 X 84	III	258	7600
FBDD09600STD	1.75 X 5 X 96	III	303	
FBED04200STD	2 X 5 X 42	III	172	9,500
FBED04800STD	2 X 5 X 48	III	188	9,500
FBED05400STD	2 X 5 X 54	III	205	9,500
FBED06000STD	2 X 5 X 60	III	220	9,500
FBED07200STD	2 X 5 X 72	III	254	9,500
FBED08400STD	2 X 5 X 84	III	280	9,500
FBED09600STD	2 X 5 X 96	III	305	9,500
FBEE04800STD	2 X 6 X 48	III	223	10,000
FBEE05400STD	2 X 6 X 54	III	245	10,000
FBEE06000STD	2 X 6 X 60	III	250	10,000
FBEE07200STD	2 X 6 X 72	III	306	10,000
FBEE08400STD	2 X 6 X 84	III	346	10,000
FBEE09600STD	2 X 6 X 96	III	379	10,000

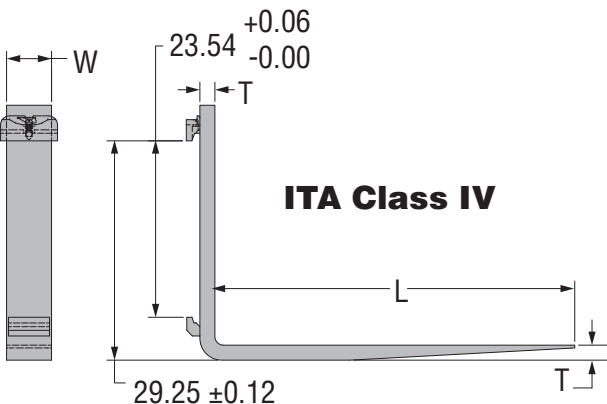
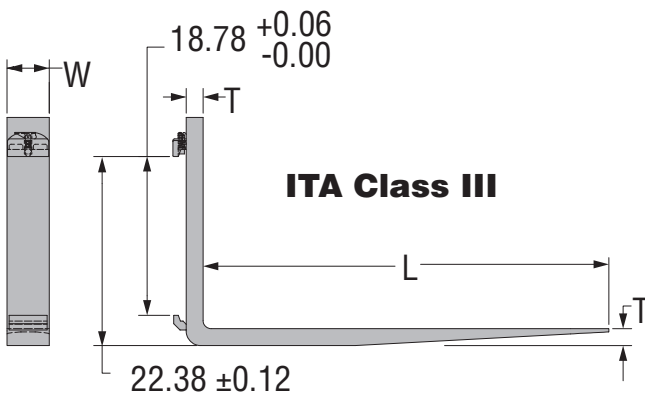
ITA Class IV Forks

Part Number	T x W x L (in)	ITA Class	Weight (lbs)	Capacity per Pair (lbs) @ 24" Load Center
FCEE04800STD	2 x 6 x 48	IV	256	12,000
FCEE05400STD	2 x 6 x 54	IV	276	12,000
FCEE06000STD	2 x 6 x 60	IV	295	12,000
FCEE07200STD	2 x 6 x 72	IV	337	12,000
FCFE04800STD	2.25 X 6 X 48	IV	283	16,300
FCFE05400STD	2.25 X 6 X 54	IV	308	16,300
FCFE06000STD	2.25 X 6 X 60	IV	331	16,300
FCFE07200STD	2.25 X 6 X 72	IV	377	16,300
FCFE08400STD	2.25 X 6 X 84	IV	445	16,300
FCFE09600STD	2.25 X 6 X 96	IV	496	16,300
FCGE04800STD	2.50 x 6 x 48	IV	318	17,500
FCGE05400STD	2.50 x 6 x 54	IV	344	17,500
FCGE06000STD	2.50 x 6 x 60	IV	370	17,500
FCGE07200STD	2.50 x 6 x 72	IV	421	17,500
FCGE08400STD	2.50 X 6 X 84	IV	469	17,500
FCGE09600STD	2.50 X 6 X 96	IV	524	17,500



Notes

- Lock pin assembly included on all ITA hook forks
- Standard taper forks supplied with no bevel on tips
- Purchasing one (1) fork is non returnable and non refundable
- Other sizes may be available from our production inventory; please call the factory for price and availability

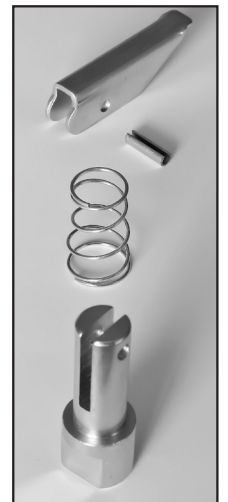


Pin Kits

Part Number	ITAClass	List Price
2523589	II	
2523590	III	
2523591	IV	

Notes

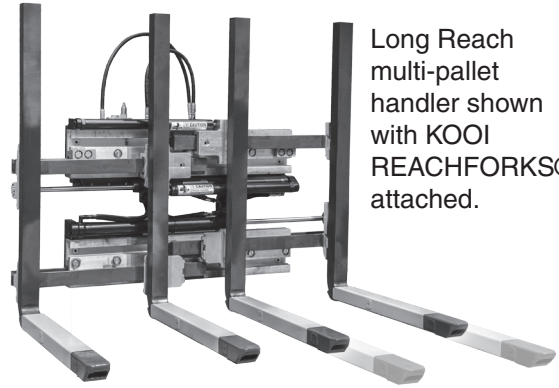
Other pin kit styles are available; call for price and availability.



KOOI REACHFORKS®

Long Reach is an authorized distributor and proud integrator of KOOI REACHFORKS®. Available in a wide range of hydraulic or manual styles, sizes and capacities. Extend the reach of sidershifters and fork positioners, or integrate into multiple pallet handlers and wide opening fork positioners. Contact Long Reach for specifications and pricing.

- Manually or hydraulically extendable forks
- Easy to adjust with one simple movement
- Correct fork length is always available
- Prevents pallet damage
- Improves handling speed



Long Reach multi-pallet handler shown with KOOI REACHFORKS® attached.

iFork Forklift Truck Scales from Ravas

Long Reach is an authorized distributor and proud integrator of iFork forklift truck scales from Ravas. Available in two styles, both are completely wireless and install in five minutes. Contact Long Reach for pricing.

- Completely wireless fork scale with basic functions
- Digital calibration
- Bluetooth signal transfer
- Auto shut off or sleep mode for optimal battery life
- Hang-on style forks install quickly

Model	T x W x L (in)	ITA Class	Weight (lbs)	Capacity per Pair (lbs) @ 24" Load Center
iForks Economy 5.0	2.4 X 5.25 X 45.3	II	294	5,000
iForks-32 5.0 ¹	1.8 X 5.3 X 42		294	5,000

¹Options are available; consult factory.



iForks Economy



iForks-32

Choose Long Reach for serviceability, value, and custom design

- Multi-Pallet Handlers
- Fork Positioners
- Integral Carriages
- Paper Roll Clamps
- Lateral Clamps
- Carton Clamps
- Push-Pulls
- Rotators
- Custom Design

21433 SW Oregon Street
 Sherwood, Oregon 97140-9799 USA
 Toll free: (800) 285-7000
 Phone: (503) 625-2560
 Fax: (503) 625-7269
 Email: marketing@alliedsystems.com
www.alliedsystems.com/Longreach

