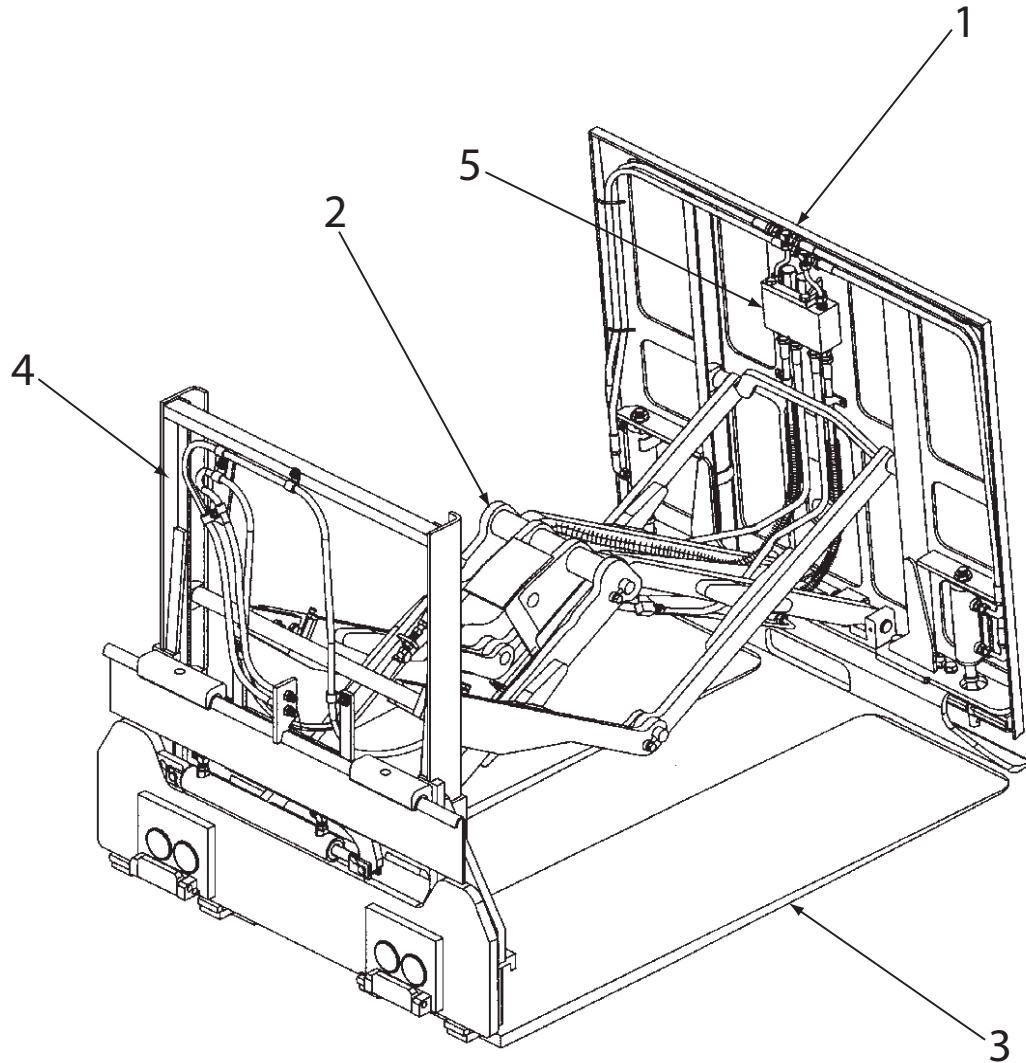


General Parts Reference PFNG035S1448

See individual parts coverage for major assemblies. Picture is representative of unit and for reference only.



1	Y445161	1	. Push Rack	16	*b Y445026	2	. Pin, 1-Hole
2	*a Y090682	1	. Linkage Assembly	17	*b Y091963	1	. Bar, Rear
3	*a Y096555	1	. Platen Group	18	*b Y090680	1	. Bar, Rear Arm RH
4	*a Y054570	1	. Base Assembly	19	*b Y090681	1	. Bar, Rear Arm LH
5	*a Y096017	1	. Hydraulic Group	20	*b Y090677	1	. Regulator, Front
6	*b Y069266	8	. Bushing	21	*b Y090679	1	. Push Arm, Front RH
7	*b Y073277	4	. Bushing	22	*b Y090678	1	. Push Arm, Front RH
8	*b Y070026	6	. Bushing	23	*b Y090673	1	. Pusher, Rear
9	*b Y442169	4	. Slide Block	24	*b Y450067	1	. Pin, 1-Hole
10	*b Y01C-0616	5	. Capscrew	25	*b Y17C-0824	2	. Capscrew
11	*b Y04E-06	5	. Washer	26	*b Y076844.11	4	. Retainer
12	*b Y445404	5	. Pin, Lock	27	*b Y092793.1	4	. Washer
13	*b Y01C-0836	4	. Capscrew				
14	*b Y17D-08	4	. Nut				
15	*b Y445023	2	. Pin, 1-Hole				

*a See Separate Coverage
 *b Not Illustrated