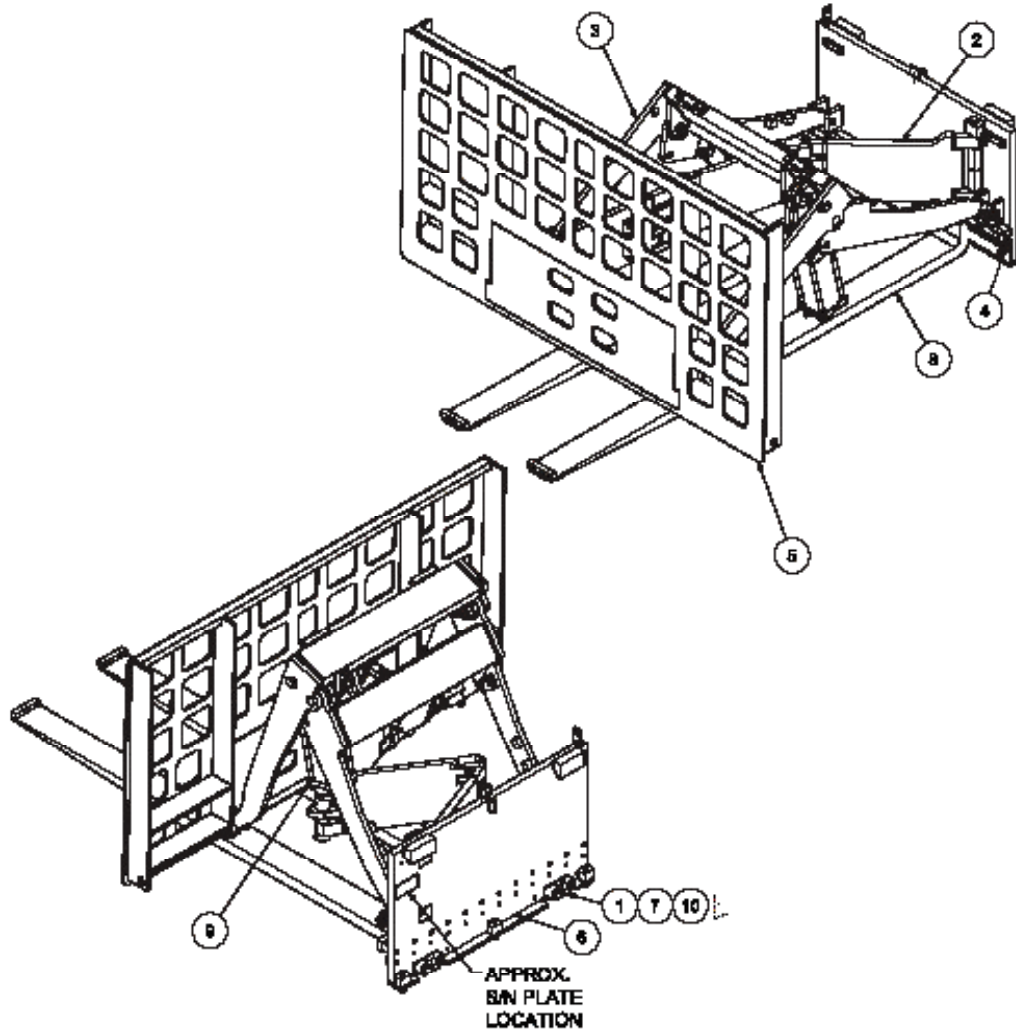


General Parts Reference LP80R2FF2BQ

See individual parts coverage for major assemblies. Picture is representative of unit and for reference only.



| | | | | | | | | | |
|---|----|-----------|---|-----------------------|----|------|------------|---|---------------------|
| 1 | *a | Y15607-B | 2 | . Quick Hook Assembly | 8 | *a | YFF-62-2 | 1 | . Fork Group |
| 2 | *a | Y19100-62 | 1 | . Equalizer Group | 9 | *a | YLPN-35 | 1 | . Cylinder Assembly |
| 3 | *a | Y19101-62 | 1 | . Yoke Group | 10 | | YXO-210 | 2 | . Shim |
| 4 | *a | Y19104-62 | 1 | . Back Plate Assembly | 11 | *a*b | YH15491-62 | 1 | . Hydraulic Group |
| 5 | | Y19294 | 1 | . Push Plate | 1 | *b | 18508W | 1 | . Capscrew |
| 6 | | Y19294-B | 1 | . Back Plate | 2 | *b | 18585W | 3 | . Capscrew |
| 7 | | Y73G-1024 | 4 | . Capscrew | 3 | *b | 200608 | 3 | . Washer |
| | | | | | 4 | *b | Y12392-EP | 1 | . Pin |

*a See Separate Coverage

*b Not Illustrated