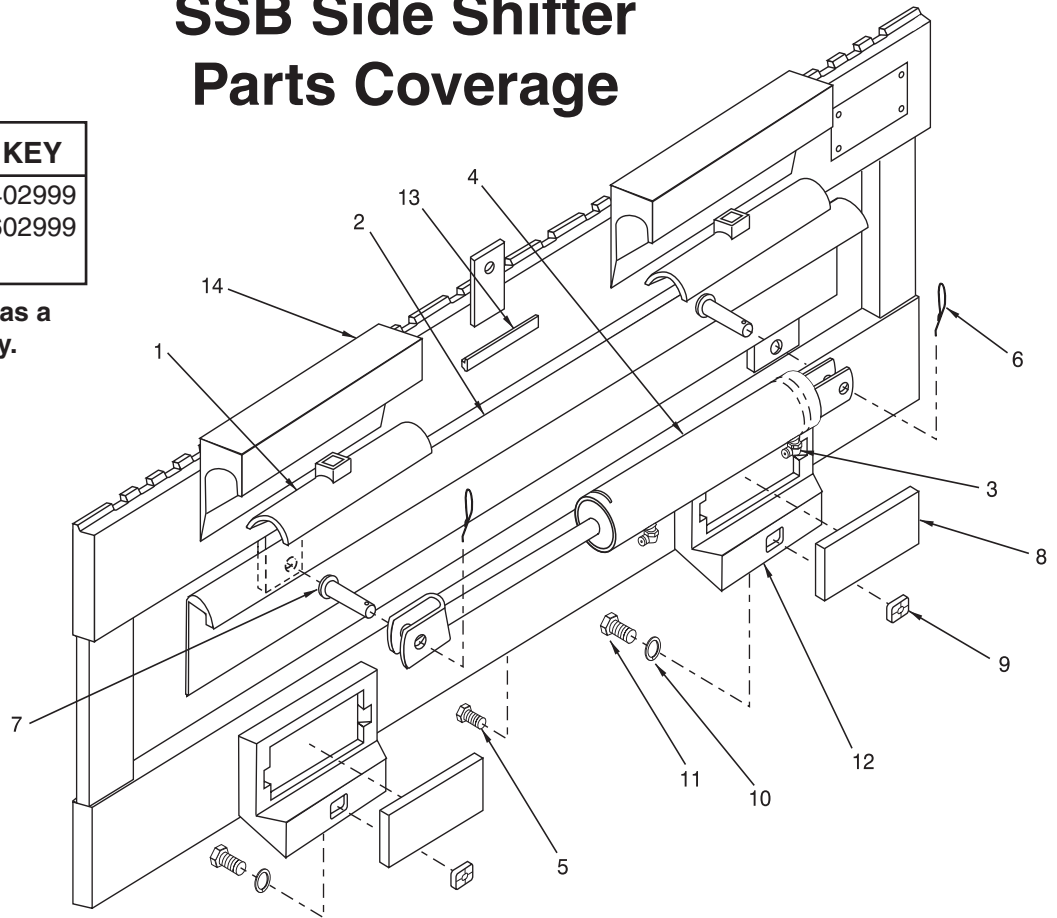


SSB Side Shifter Parts Coverage

SERIAL NUMBER KEY	
A	8309001 - 8402999
B	8403001 - 8602999
C	8603001 -

**NOTE: This unit has a
 5,500 lbs. capacity.**



Item	Part Description	A		B		C	
		Part #	Qty	Part #	Qty	Part #	Qty
						(30" - 42")	(42.1" - 60")
1	Upper Insert	Y439111	2	Y439111	2	Y439111	3
2	Mid Plate	**	1	**	1	**	1
3	Fitting	Y853-0606	2	Y853-0606	2	Y853-0606	2
4	Side-Shift Cylinder	Y438103	1	Y438103	1	Y438103	1
5	Bolt	Y73G-0812	1	Y73G-0812	1	Y73G-0812	1
6	Cotter Pin	Y01F-0420	2	Y01F-0420	2	Y01F-0420	2
7	Clevis Pin	Y438978	2	Y438978	2	Y438978	2
8	Lower Insert	Y438961	2	Y438961	2	Y442940	3
9	Retainer	Y440882	2	Y440882	2	Y442941	2
10	Washer	15178W	4	Y15E-12	2	Y15E-12	2
11	Bolt	Y10C-1024	4	Y21C-1224	2	Y21C-1224	2
12	Lower Retainer	NSS	2	NSS	2	NSS	1
13	Hook Bar	-	-	NSS	1	NSS	1
14	Top Hook Casting	NSS	2	NSS	2	NSS	2
NI	Label	Y442319.2	1	Y442319.2	1	Y442319.2	2
NI	Warning Label	Y443936	1	Y443936	1	Y443936	1

NSS Not Sold Separately
 NI Not Illustrated
 ** See Page 2

A MidplateY442973.XX

Part Number	A
Y442973.1	30.00
Y442973.2	36.00
Y442973.3	42.00
Y442973.4	48.00
Y442973.5	54.00
Y442973.6	60.63
Y442973.7	24.00
Y442973.8	31.00
Y442973.9	32.00
Y442973.10	41.00
Y442973.11	39.00
Y442973.12	58.00

