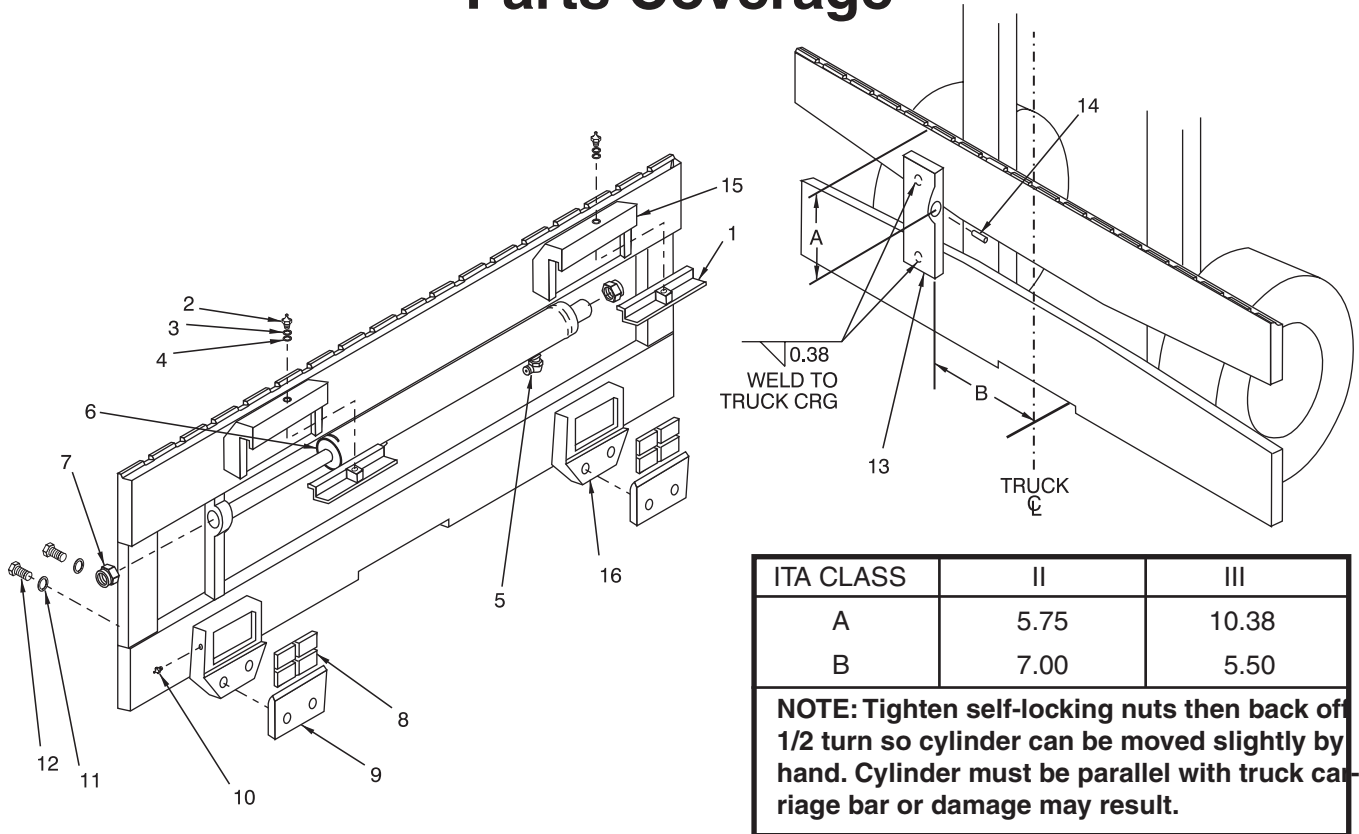


## SFA55 & SFA10 Parts Coverage



| ITA CLASS | II   | III   |
|-----------|------|-------|
| A         | 5.75 | 10.38 |
| B         | 7.00 | 5.50  |

**NOTE: Tighten self-locking nuts then back off 1/2 turn so cylinder can be moved slightly by hand. Cylinder must be parallel with truck carriage bar or damage may result.**

| Item | Part Description                | Part Number  |             | Qty |
|------|---------------------------------|--------------|-------------|-----|
|      |                                 | Model Number |             |     |
|      |                                 | II - SFA55   | III - SFA10 |     |
| 1    | Upper Insert                    | Y413464      | Y412858     | 2   |
| 2    | Grease Fitting                  | Y076686      | Y076686     | 2   |
| 3    | Washer                          | R13811443    | R13811443   | 2   |
| 4    | Washer                          | 221763W      | 221763W     | 2   |
| 5    | Fitting                         | Y853-0606    | Y853-0606   | 2   |
| 6    | Side-Shift Cylinder             | Y21.034      | Y25.045     | 1   |
| NI   | . Seal Kit, Side-Shift Cylinder | Y056834      | Y056837     | 1   |
| 7    | Self-Locking Nut                | Y18D-12      | Y18D-12     | 2   |
| 8    | Lower Insert                    | Y410009      | Y410022     | 2   |
| 9    | Lower Retainer                  | Y412805      | Y412805     | 2   |
| 10   | Grease Fitting                  | Y433070.44   | Y433070.44  | 2   |
| 11   | Lock Washer                     | Y04E-10      | Y04E-10     | 4   |
| 12   | Bolt                            | Y02C-1024    | Y02C-1032   | 4   |
| 13   | Cylinder Anchor                 | Y434100      | Y448231     | 1   |
| 14   | Roll Pin                        | Y02F-0612    | Y02F-0612   | 1   |
| 15   | Top Hook Casting                | Y429703      | Y429705     | 2   |
| 16   | Lower Pad                       | Y429704      | Y429706     | 2   |

NI Not Illustrated, see Form 45-002

### SFA10 - Side Shifter Assembly

| Part Number | Width | Weldment   | # Hooks |
|-------------|-------|------------|---------|
| Y436260.41  | 41.00 | Y436259.41 | 2       |
| Y436260.42  | 42.00 | Y436259.42 | 2       |
| Y436260.43  | 43.00 | Y436259.43 | 2       |
| Y436260.44  | 44.00 | Y436259.44 | 2       |
| Y436260.45  | 45.00 | Y436259.45 | 2       |
| Y436260.46  | 46.00 | Y436259.46 | 2       |
| Y436260.47  | 47.00 | Y436259.47 | 2       |
| Y436260.48  | 48.00 | Y436259.48 | 2       |
| Y436260.49  | 49.00 | Y436259.49 | 2       |
| Y436260.50  | 50.00 | Y436259.50 | 2       |
| Y436260.51  | 51.00 | Y436259.51 | 2       |
| Y436260.52  | 52.00 | Y436259.52 | 2       |
| Y436260.53  | 53.00 | Y436259.53 | 2       |
| Y436260.54  | 54.00 | Y436259.54 | 2       |
| Y436260.55  | 55.00 | Y436259.55 | 2       |
| Y436260.56  | 56.00 | Y436259.56 | 2       |
| Y436260.57  | 57.00 | Y436259.57 | 2       |
| Y436260.58  | 58.00 | Y436259.58 | 2       |
| Y436260.59  | 59.00 | Y436259.59 | 2       |
| Y436260.60  | 60.00 | Y436259.60 | 2       |
| Y436260.61  | 61.00 | Y436259.61 | 2       |
| Y436260.62  | 62.00 | Y436259.62 | 3       |
| Y436260.63  | 63.00 | Y436259.63 | 3       |
| Y436260.64  | 64.00 | Y436259.64 | 3       |
| Y436260.65  | 65.00 | Y436259.65 | 3       |
| Y436260.66  | 66.00 | Y436259.66 | 3       |
| Y436260.67  | 67.00 | Y436259.67 | 3       |
| Y436260.68  | 68.00 | Y436259.68 | 3       |
| Y436260.69  | 69.00 | Y436259.69 | 3       |
| Y436260.70  | 70.00 | Y436259.70 | 3       |
| Y436260.71  | 71.00 | Y436259.71 | 3       |
| Y436260.72  | 72.00 | Y436259.72 | 3       |
| Y436260.73  | 73.00 | Y436259.73 | 3       |

| Part Number  | Width | Weldment     | # Hooks |
|--------------|-------|--------------|---------|
| Y436260.74   | 74.00 | Y436259.74   | 3       |
| Y436260.75   | 75.00 | Y436259.75   | 3       |
| Y436260.76   | 76.00 | Y436259.76   | 3       |
| Y436260.77   | 77.00 | Y436259.77   | 3       |
| Y436260.78   | 78.00 | Y436259.78   | 3       |
| Y436260.79   | 79.00 | Y436259.79   | 3       |
| Y436260.80   | 80.00 | Y436259.80   | 3       |
| Y436260.81   | 81.00 | Y436259.81   | 3       |
| Y436260.82   | 82.00 | Y436259.82   | 3       |
| Y436260.83   | 83.00 | Y436259.83   | 3       |
| Y436260.84   | 84.00 | Y436259.84   | 3       |
| Y436260.85   | 85.00 | Y436259.85   | 3       |
| Y436260.86   | 86.00 | Y436259.86   | 3       |
| Y436260.465  | 46.50 | Y436259.465  | 2       |
| Y436260.421  | 42.10 | Y436259.421  | 2       |
| Y436260.37   | 37.00 | Y436259.37   | 2       |
| Y436260.38   | 38.00 | Y436259.38   | 2       |
| Y436260.39   | 39.00 | Y436259.39   | 2       |
| Y436260.40   | 40.00 | Y436259.40   | 2       |
| Y436260.36   | 36.00 | Y436259.36   | 2       |
| Y436260.375  | 37.50 | Y436259.375  | 2       |
| Y436260.395  | 39.50 | Y436259.395  | 2       |
| Y436260.4325 | 43.25 | Y436259.4325 | 2       |
| Y436260.554  | 55.40 | Y436259.554  | 2       |
| Y436260.417  | 41.70 | Y436259.417  | 2       |
| Y436260.377  | 37.70 | Y436259.377  | 2       |
| Y436260.439  | 43.90 | Y436259.439  | 2       |
| Y436260.468  | 46.80 | Y436259.468  | 2       |
| Y436260.433  | 43.30 | Y436259.433  | 2       |
| Y436260.496  | 49.60 | Y436259.496  | 2       |
| Y436260.535  | 53.50 | Y436259.535  | 2       |
| Y436260.709  | 70.90 | Y436259.709  | 3       |
| Y436260.393  | 39.30 | Y436259.393  | 2       |

