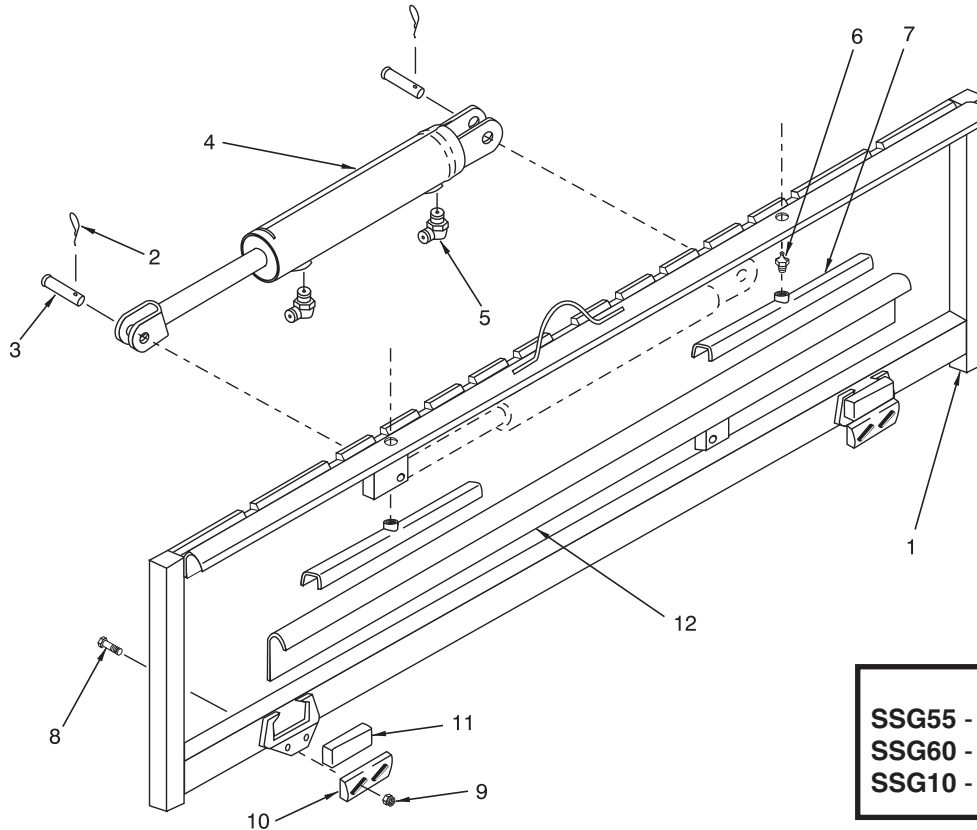


Series G- Sideshifter



KEY	
SSG55	5,500 lbs. Capacity
SSG60	6,000 lbs. Capacity
SSG10	10,000 lbs. Capacity

Item	Part Description	Part Number			Qty
		SSG55	SSG60	SSG10	
1	Weldment	NSS	NSS	NSS	1
2	Cotter, Hairpin	Y433572	Y433572	Y433572	2
3	Pin, Clevis	Y438978	Y438978	Y047391	1
4	Cylinder	Y438103	Y438103	Y097930	1
5	Fitting, O-Ring	Y853-0606	Y853-0606	Y853-0606	2
6	Fitting, Lube	Y433070.44	Y433070.44	Y433070.44	2
7	Wear Strip, Upper	Y095205	Y096134	Y096134	2
8	Bolt, Retaining	Y09C-M1645	Y09C-M1660	Y09C-M1660	4
9	Nut, Retaining	Y11D-M16	Y33D-M16	Y33D-M16	4
10	Lower Retainer	Y057853	Y057872	Y057872	2
11	Wear Pad	Y057878	Y057879	Y057879	2
12	Intermediate Plate	Y094341-XX.00**	Y096907-XX.00**	Y096907-XX.00**	1
NI	Bolt, Fork Stop	Y21C-0812	Y21C-0812	Y21C-0812	1

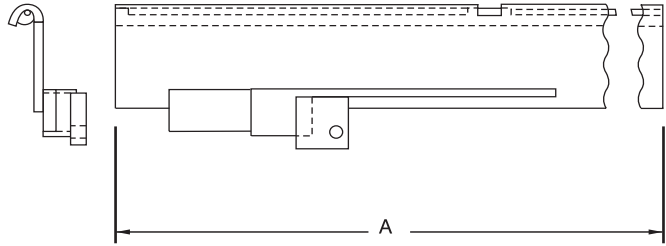
NI Not Illustrated

NSS Not Sold Separately

** XX.00 Indicates Length of Part in Inches (See Page 2)

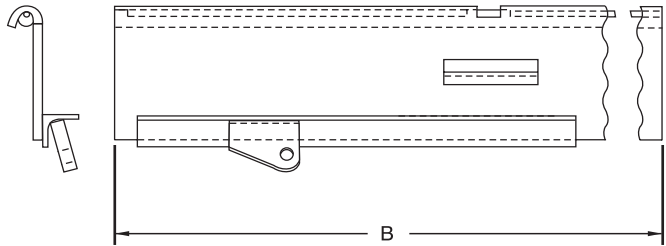
SSG55 Intermediate PlateY094341-XX.00

Part Number	A
Y094341-31.00	31.00
Y094341-36.00	36.00
Y094341-41.00	41.00
Y094341-46.00	46.00
Y094341-51.00	51.00



SSG60 Intermediate PlateY096907-XX.00

Part Number	B
Y096907-36.00	36.00
Y096907-41.00	41.00
Y096907-48.00	48.00
Y096907-56.00	56.00
Y096907-61.00	61.00



SSG10 Intermediate PlateY096907-XX.00

Part Number	C
Y096907-36.00	36.00
Y096907-41.00	41.00
Y096907-48.00	48.00
Y096907-56.00	56.00
Y096907-61.00	61.00

