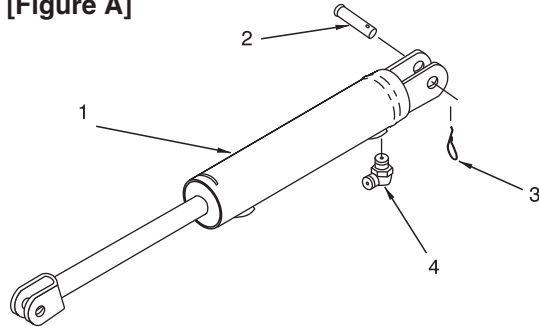


SSC Series Easy-Mount Side Shift Parts Coverage

[Figure A]



KEY	
SSC55	- 5,500 lbs. Capacity
SSC60	- 6,000 lbs. Capacity
SSC10	- 10,000 lbs. Capacity

[Figure B]

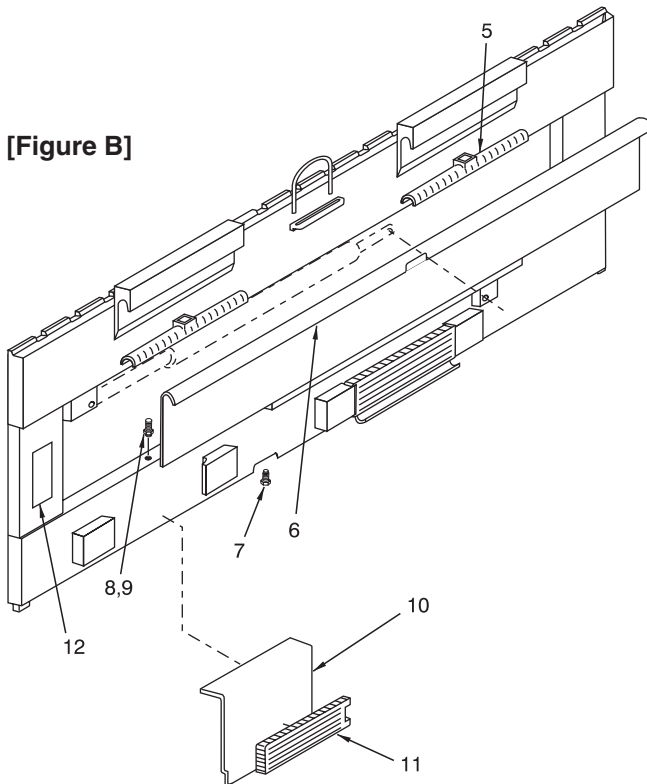


Figure A

1. SSC55 Shift Cylinder (1)
 (serviceable ONLY as a unit)..... Y438103
- SSC60 Shift Cylinder (1)
 (serviceable ONLY as a unit)..... Y438103
- SSC10 Shift Cylinder (1)
 (serviceable ONLY as a unit)..... Y097930
2. Clevis Pin (2)..... Y438978
3. Hair Pin Cotter (2) Y433572
4. Elbow Fitting (2) Y853-0606

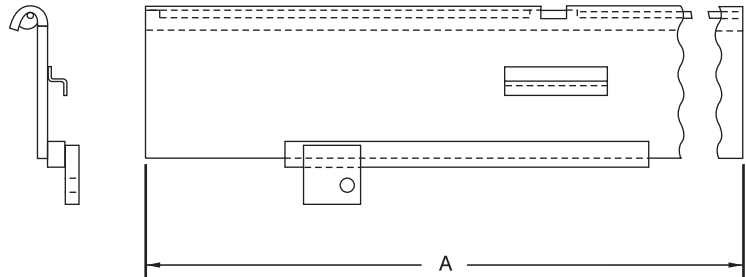
Figure B

5. SSC55 Upper Insert (2) Y439111
- SSC60 Upper Insert (2) Y449753
- SSC10 Upper Insert (2) Y449753
6. SSC55 Midplate (1)..... See Page 2
- SSC60 Midplate (1)..... See Page 2
- SSC10 Midplate (1)..... See Page 2
7. Fork Stop Bolt (1)
 (must be installed).....Y21C-0812
8. Adjusting Stud (2) Y087854
9. Hex Jam Nut (2)Y07D-10
10. SSC55 J-Hook Retainer (2) Y449931
- SSC60 J-Hook Retainer (2) Y449754
- SSC10 J-Hook Retainer (2) Y449757
11. SSC55 Lower Insert (2) Y449930
- SSC60 Lower Insert (2) Y449262
- SSC10 Lower Insert (2) Y449262
12. Decal (1) Y442319.2
13. Warning Label (NI) (1)..... Y443936

NI Not Illustrated

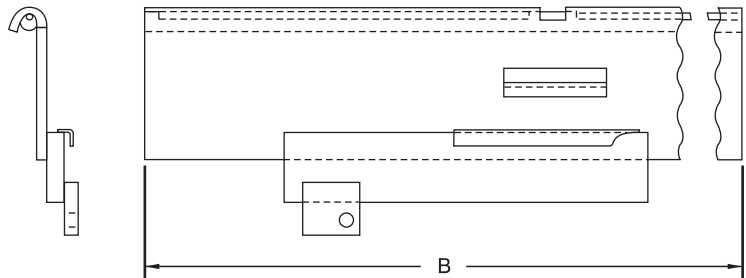
SSC55 MidplateY442973.XX

Part Number	A
Y442973.1	30.00
Y442973.2	36.00
Y442973.3	42.00
Y442973.4	48.00
Y442973.5	54.00
Y442973.6	60.63
Y442973.7	24.00
Y442973.8	31.00
Y442973.9	32.00
Y442973.10	41.00
Y442973.11	39.00
Y442973.12	58.00



SSC60 MidplateY449260.XX

Part Number	B
Y449260.1	31.00
Y449260.2	42.00
Y449260.3	49.00
Y449260.4	56.00
Y449260.5	63.00
Y449260.6	40.00



SSC10 MidplateY449896.XX

Part Number	C
Y449896.1	37.00
Y449896.2	49.00
Y449896.3	61.00
Y449896.4	46.00
Y449896.5	42.00
Y449896.6	68.00
Y449896.7	48.00
Y449896.8	32.00

