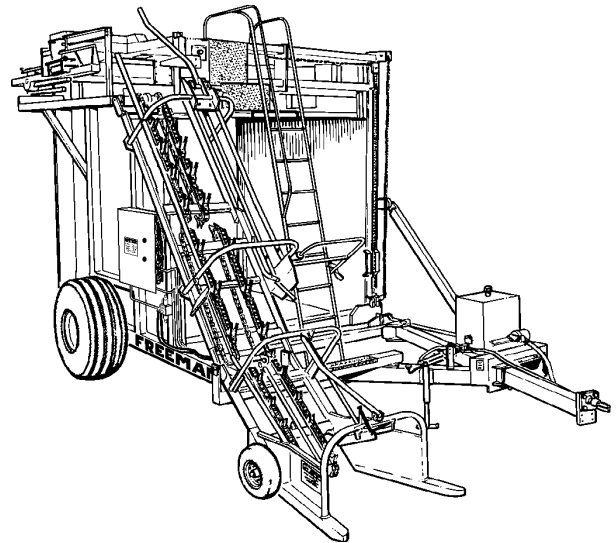
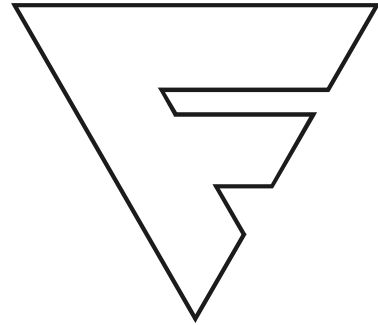


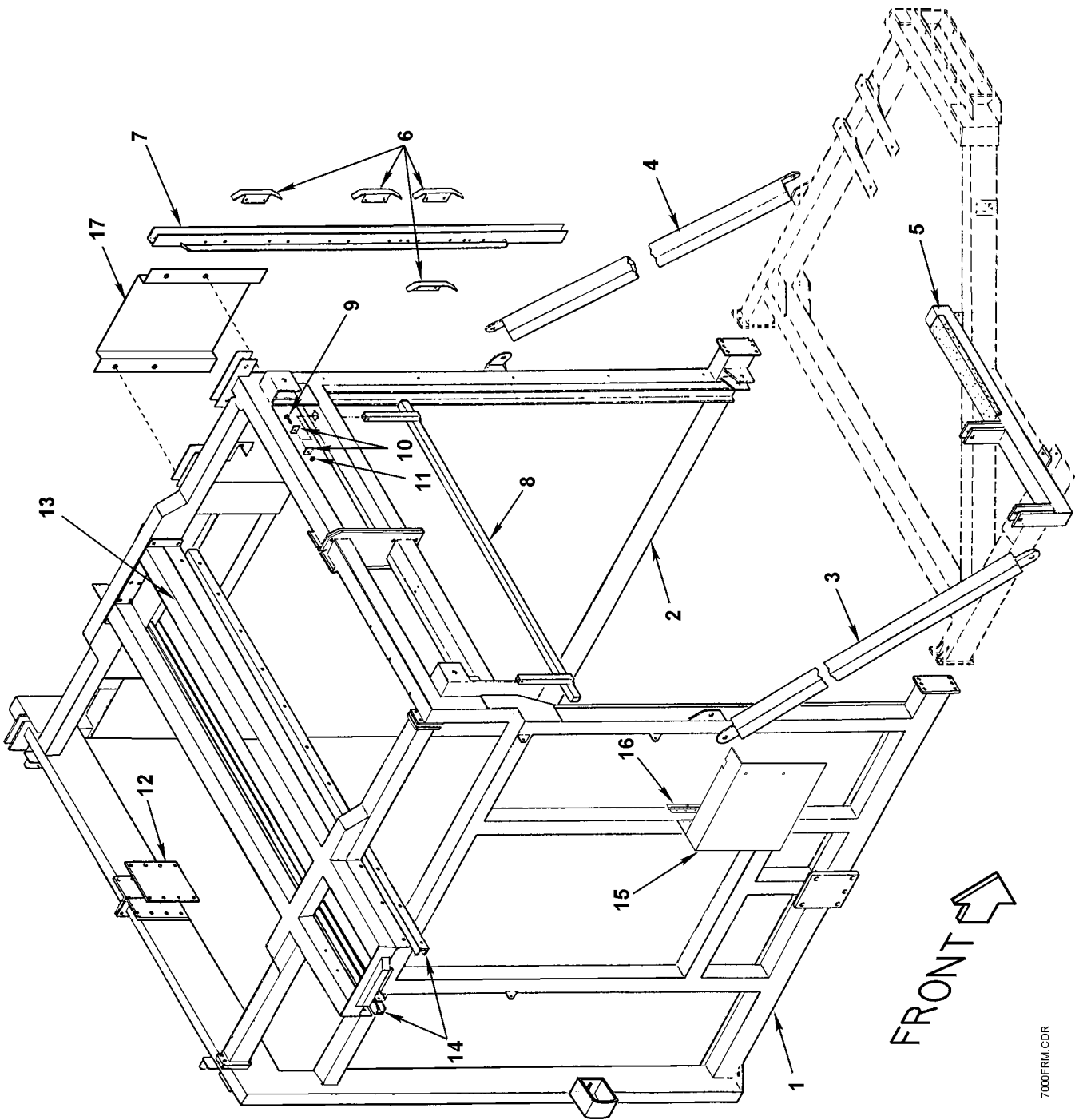
FREEMAN



MODEL 7000
PULL TYPE BALEWAGON

PARTS LISTING

MAIN FRAME ASSEMBLIES

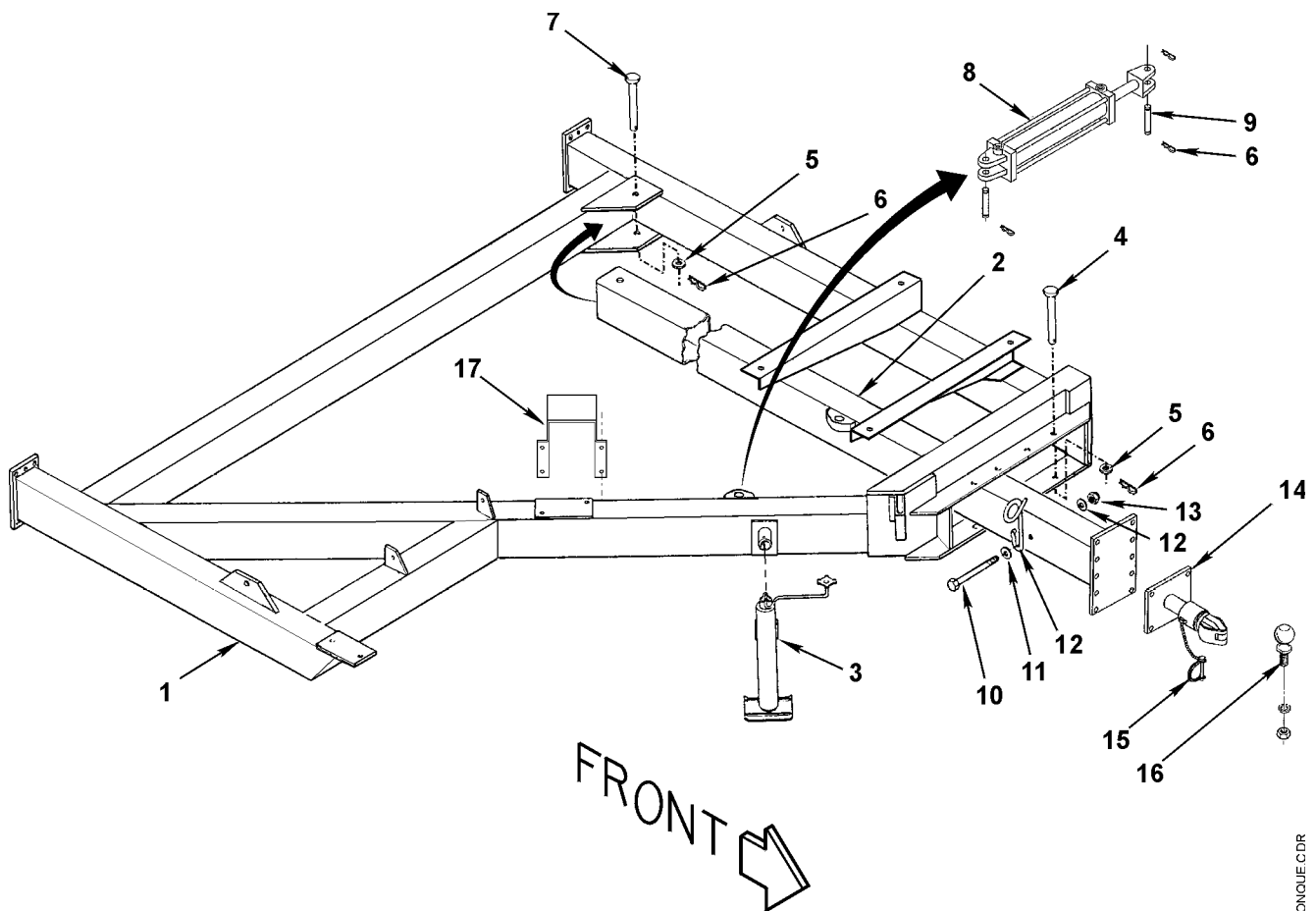


7000FRM.CDR

MAIN FRAME ASSEMBLIES

REF NO.	PART NO.	DESCRIPTION	QTY. USED
1	FRM0016862	Side Frame - R.H.	1
2	FRM0016861	Side Frame - L.H.	1
3	BRC7311601	R.H. Hitch To Wagon Brace Assembly	1
4	BRC7311600	L.H. Hitch To Wagon Brace Assembly	1
5	SUP0073199	Elevator Support Tube	1
6	CAM0016742	Tie Indicator Cam	4
7	MNT0016744	Tie Switch Cam Mount Assembly	1
8	RET0073165	Front Tie-Tier Retainer	1
9	SCC0000310	3/8" x 3" NC HT CS - Plated	2
10	STO0073168	Front Bale Retainer Stop	4
11	NCE0000375	3/8" NC Esna Nut - Plated	4
12	PLT0073376	Rear Main Frame Reinforcement Plate	1
13	FRM0016910	Top Main Frame	1
14	TRK0073201	Pusher Roller Track	2
15	CVR0032407	Hydraulic Panel Cover	1
16	HNG0023458	Hydraulic Panel Cover Hinge	1
17	GRD0032406	Left Hand Chain Guard	1

TONQUE ASSEMBLY

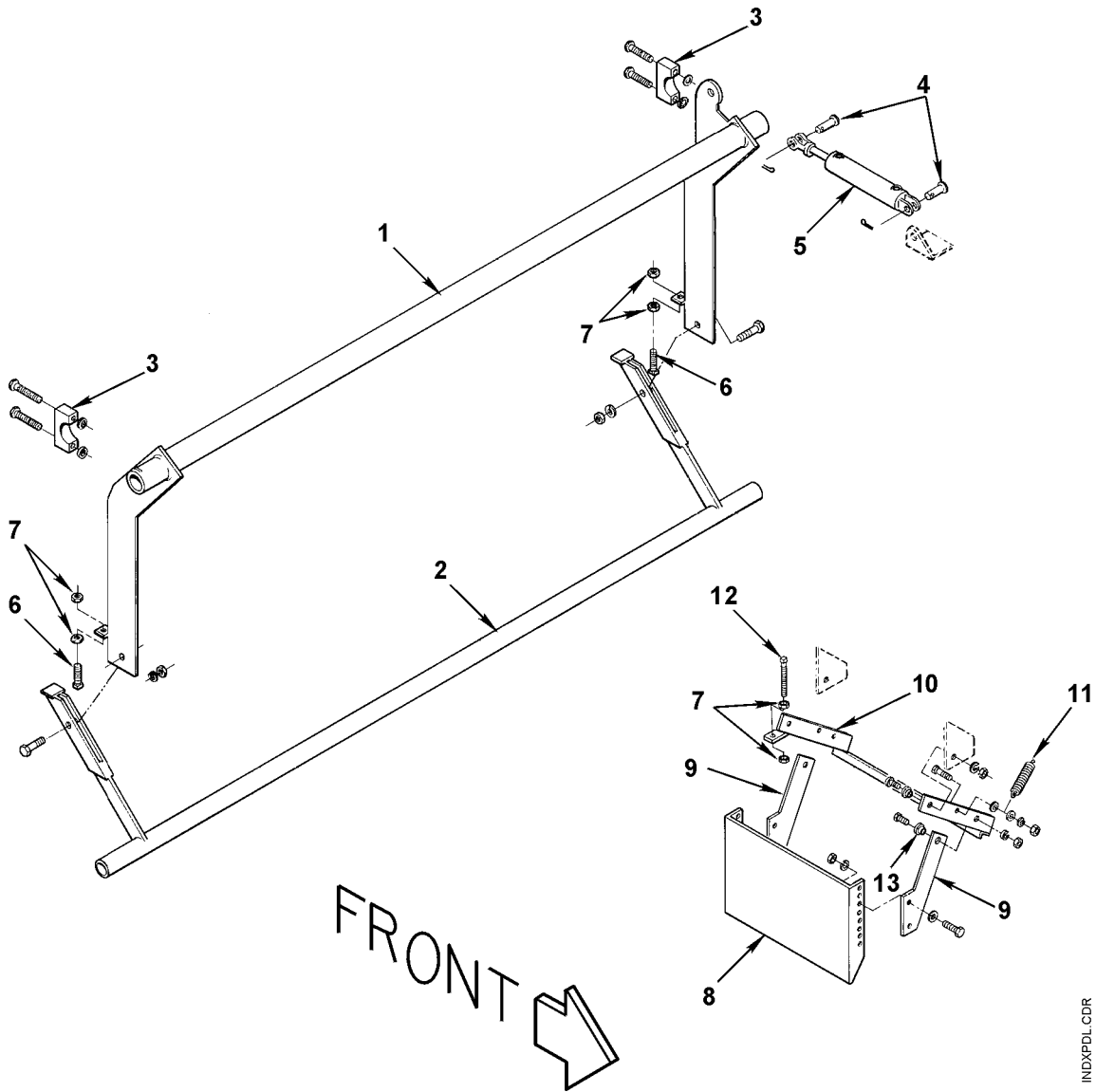


7/TONQUE.CDR

TONQUE ASSEMBLY

REF NO.	PART NO.	DESCRIPTION	QTY. USED
1	HTH0016914	Hitch Assembly	1
2	DRB0025843	Drawbar Assembly	1
3	JCK0000158	Front End Jack (Lock Pin Type)	1
4	PIN0073342	Hitch Pin Assembly	2
5	WCT0001000	1" Flatwasher - Plated	3
6	F 0006511	Hair Clip Pin	6
7	PIN0073343	Hitch Pin Assembly	1
8	CYL0009014	Hydraulic Cylinder	1
9	F 0006498	Cylinder Pin	2
10	SCC0000517	1/2" x 5-1/2" NC HT CS - Plated	1
11	WCT0000500	1/2" Flatwasher - Plated	2
12	HGR0016785	Hydraulic Hose Hanger	1
13	NCE0000500	1/2" NC Esna Nut - Plated	1
14	HTH0032715	Ball Hitch Assembly	1
15	PIN0051622	Pin & Clip F/HTH32715 Hitch	1
16	HTH0028400	Ball, Nut And Washer	1
17	SHD0034528	Hydraulic Filter Shield	1

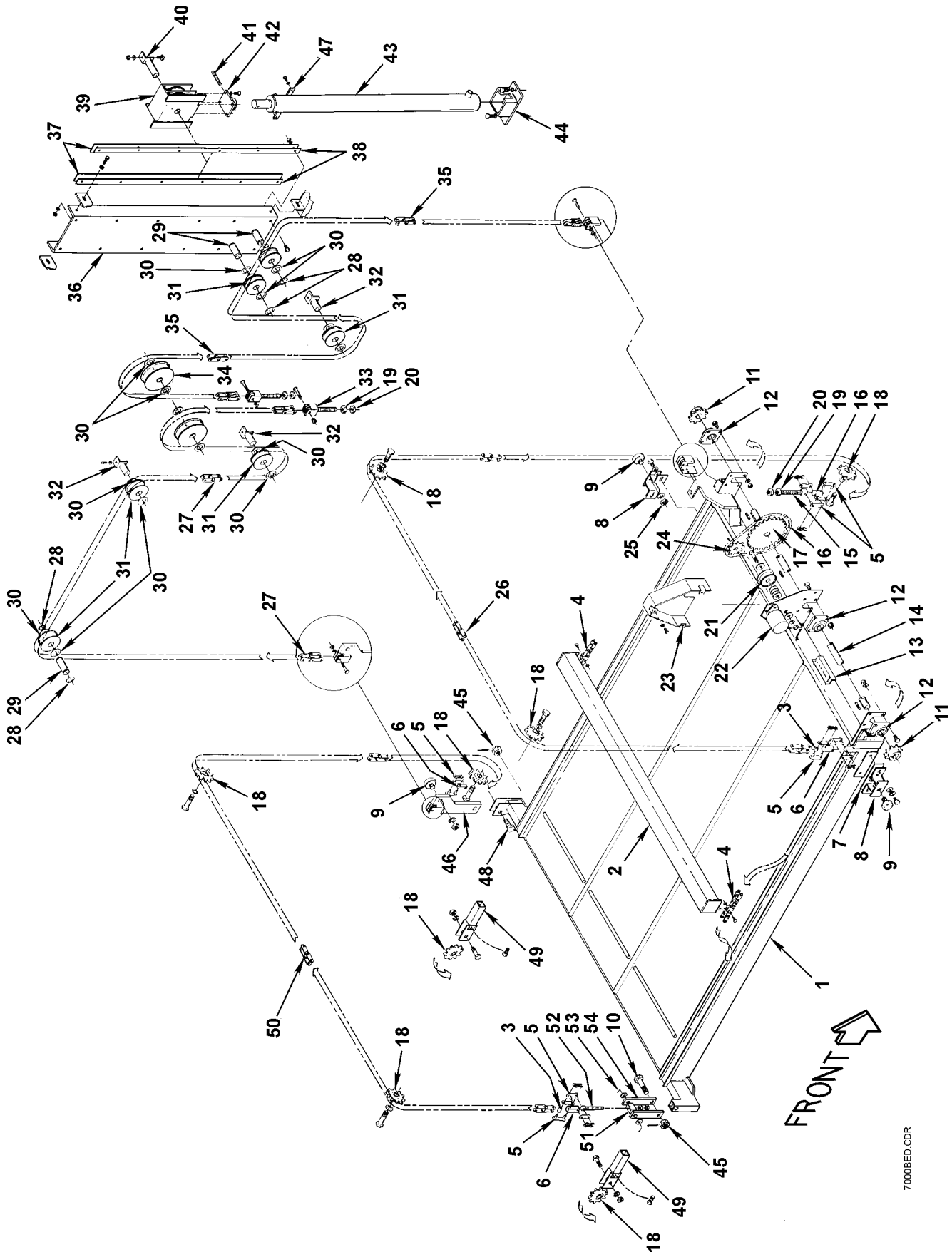
BALE RETAINER BAR AND INDEX PADDLE ASSEMBLIES



BALE RETAINER BAR AND INDEX PADDLE ASSEMBLIES

REF NO.	PART NO.	DESCRIPTION	QTY. USED
1	RET0016912	Upper Bale Retainer Assembly	1
2	RET0016913	Lower Bale Retainer Assembly	1
3	MNT0025269	Bale Retainer Pipe Mount	1
4	F 0005049	Clevis Pin 1/2" x 1-1/4"	2
5	F 0006724	Hydraulic Cylinder	1
6	SQS5004500	1/2" x 4-1/2" Square Head Set Screw	2
7	NCJ0000500	1/2" NC Hex Jam Nut	6
8	PDL0016798	Index Paddle	1
9	ARM0016800	Secondary Index Paddle Arm	2
10	ARM0016799	Primary Index Paddle Arm Assembly	1
11	F 0000747	Spring	1
12	SQS5003000	1/2" x 3" Square Head Set Screw	1
13	F 0000440	Ferrule	2

BED AND PUSH OFF ASSEMBLIES

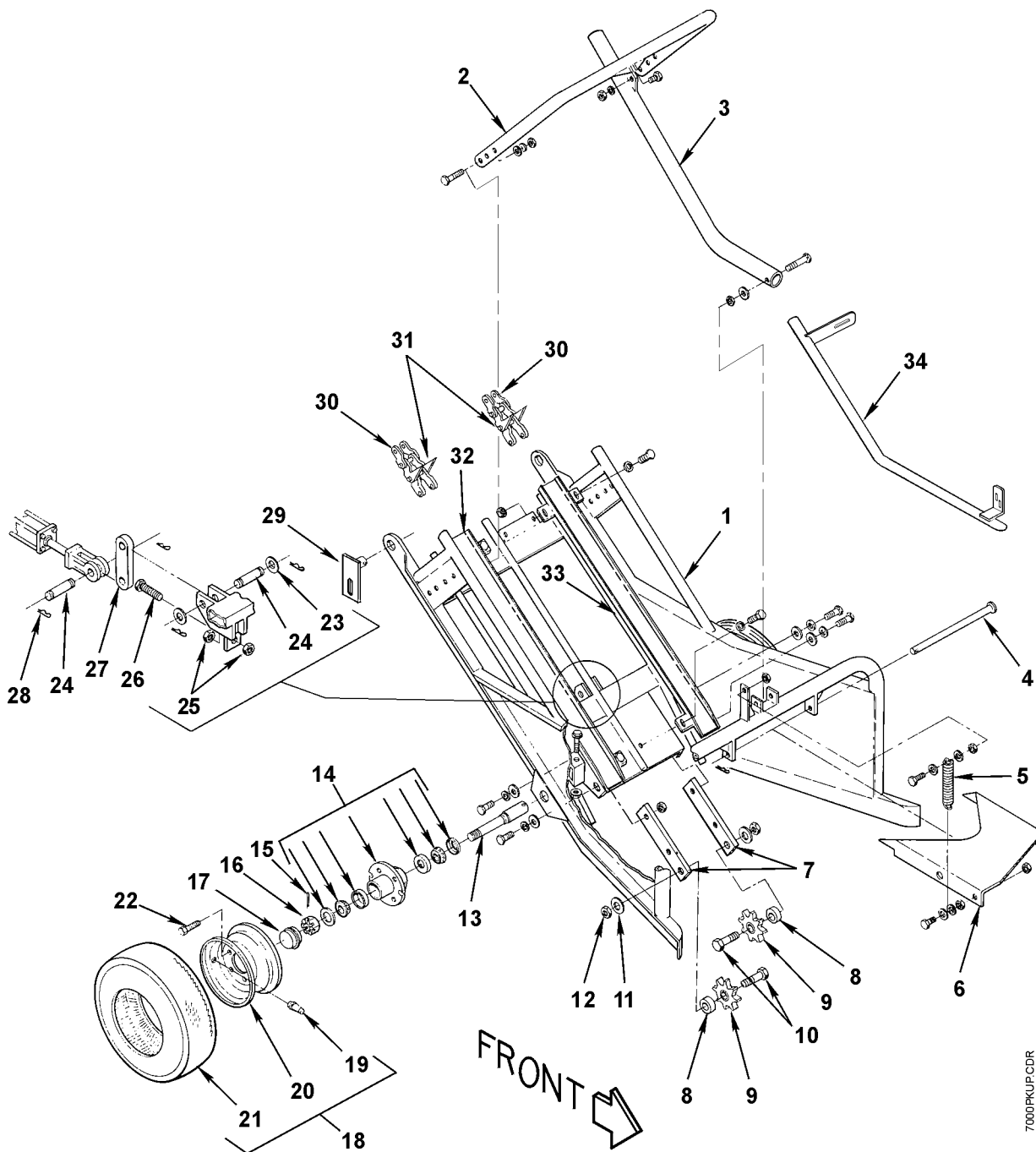


7000BED.CDR

BED AND PUSH OFF ASSEMBLIES

REF NO.	PART NO.	DESCRIPTION	QTY. USED	REF NO.	PART NO.	DESCRIPTION	QTY. USED
1	BED0073275	Bed Assembly	1	28	06-119	Snap Ring	6
2	BAR0073345	Push Off Bar Assembly	1	29	14-108	Pin For Chain Idler Pulley	3
3	CHN0070024	Chain Link Roller	2	30	02-115	Roller Bearing	16
4	CHN0035045	Push Off Bar Chain	2	31	14-107	Lift Chain Idler Roller	6
5	CNK0002008	Connecting Link - C2080H	2	32	PIN0033525	Bed Lift Roller Pins	6
6	CHN0073024	Pivot Mount For Lift Chain	3	33	14-104	Anchor Bolt - Lift Chain	2
7	SHM0073233	Front Bed To Roller Shim	A/R	34	ROL0010182	Cylinder Head Roller	2
8	MNT0073043	Bed Roller Mount	2	35	CHN0035049	Forward Lift Chain	1
9	F 0001636	Roller	3	36	GUD0073016	Cylinder Head Guide	1
10	PIN0016958	R.H. Rear Bed Hanger Pin	1	37	BAR0073287	Cylinder Head Guide Bar	2
11	05-214	Sprocket 1-3/8" Bore	2	38	BAR0073288	Cylinder Head Guide Bar	2
12	02-154	1-3/8" 4-Bolt Flange Bearing	3	39	MNT0073191	Cylinder Head Guide Roller Mount	1
13	CVR0032405	Junction Block Cover	1	40	PIN0033547	Cylinder Head Pin	1
14	SHF0073285	Push Off Drive Shaft	1	41	SQS3751500	3/8" x 1-1/2" Square HD Set Screw	1
15	07-123	Chain Anchor, #80 Chain, Tilt Bed	1	42	MNT0016865	Cylinder Shaft Mount	1
16	CHN0035046	Pushoff Bar Drive Chain	1	43	CYL0000454	4" x 54" Hydraulic Cylinder	1
17	SPK0060048	Sprocket 1-3/8"BR 3/8" KW	1	44	MNT0016868	Cylinder Base Mount	1
18	SPK0073349	Idler Sprocket	6	45	NCC0010000	1" NC Castellated Nut	2
19	NFH0000750	3/4" NF Hex Nut - Plated	4	46	BKT0073296	L.H. Rear Bed Chain Bracket	1
20	NFJ0000750	3/4" NF Jam Nut - Plated	4	47	STR0073341	Cylinder Support Strap	1
21	F 0000883	Idler Pulley	1	48	PIN0016952	L.H. Rear Bed Hanger Pin	1
22	MTR1041026	Hydraulic Motor	1	49	CHN0073055	Bed Chain Tightener Assembly	2
23	SHD0016867	Pusher Sprocket & Mtr Shield Assy	1	50	CHN0035048	Rear Lift Chain	1
24	SPK0060154	Sprocket 1-1/4" BR	1	51	CHN0073228	Rear Chain To Bed Swivel	1
25	NFE0000750	3/4" NF Esna Nut	2	52	07-123	Chain Anchor #80 Chain	1
26	CHN0035047	Forward Cross Over Chain	1	53	WCT0000750	3/4" Flatwasher - Plated	2
27	CHN0035050	Rear Cross Over Chain	1	54	PLT0073227	L.H. Rear Chain To Bed Plates	2

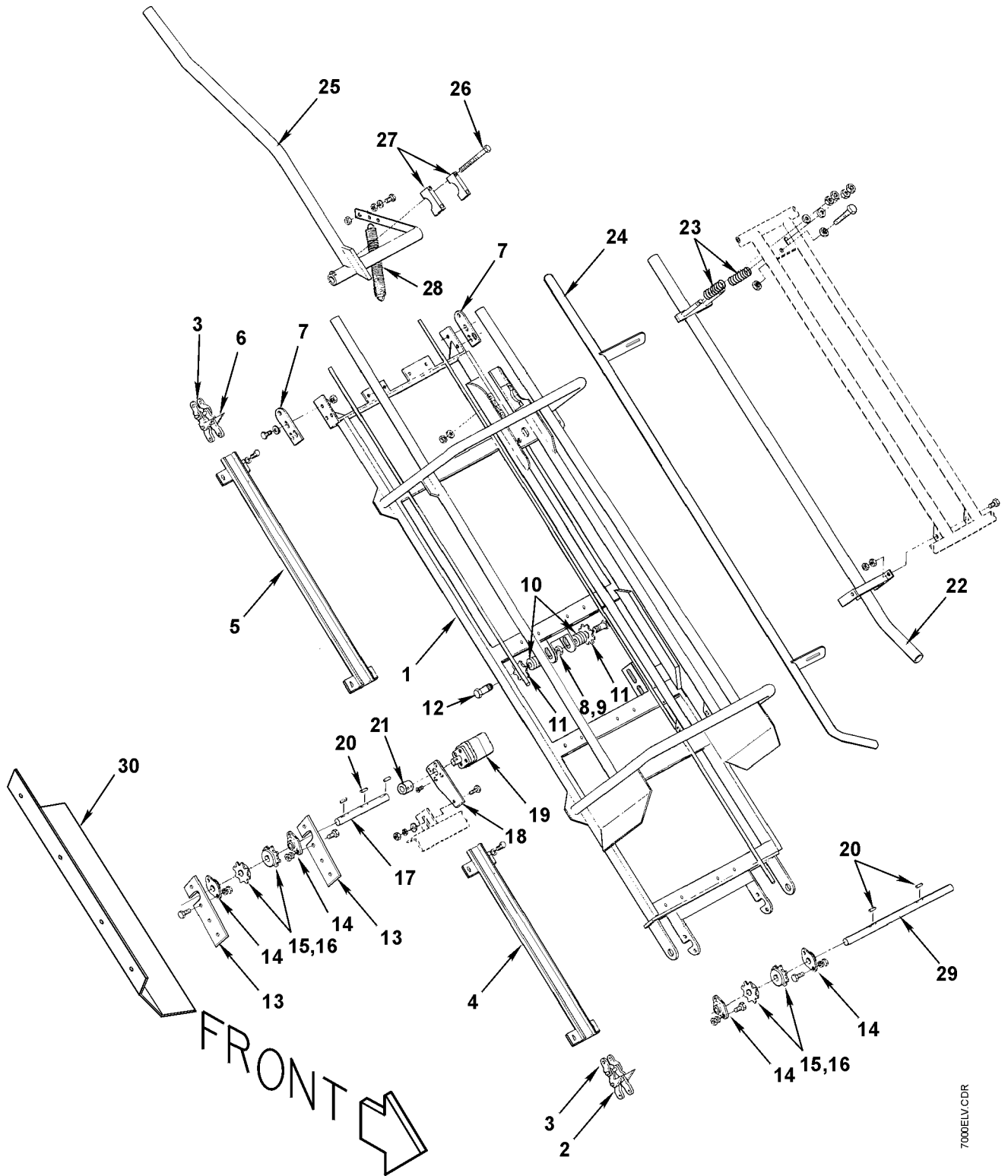
PICKUP ASSEMBLY



PICKUP ASSEMBLY

REF NO.	PART NO.	DESCRIPTION	QTY. USED
1	PCY0032354	Pickup Frame Assembly	1
2	SUP0032395	Bale Guide Support Bkt Pipe	1
3	PUP0073259	Bale Chute Hold Down Bar	1
4	10-145	Pickup Bale Check Pin	1
5	F 0000747	Spring	1
6	10-144	Pickup Bale Check	1
7	MNT0032340	Pickup Sprocket Mount	2
8	F 0000172	3/4" Set Collar	2
9	SPK0008039	7 Tooth Idler Sprocket W/Bearing	2
10	SCC0080010	3/4" x 3" NC HT CS - Plated	2
11	WLK0000750	3/4" Lockwasher - Plated	2
12	NCH0000750	3/4" NC Hex Nut - Plated	2
13	SPN0025350	Pickup Wheel Spindle	2
14	HUB0000348	Hub With Bearings And Seals	2
15	COT0000502	1/8" x 1" Cotter Pin	2
16	NCC0001000	1" Castellated Nut	2
17	CAP0046749	Hub Cap	2
18	WHL0401530	Wheel And Tire Assembly	2
19	19-109	Valve Stem	2
20	WHL0412530	Wheel 8" x 3.75"	2
21	TIR0004008	Tire 4.00 x 8 - 4 Ply	2
	TIR0199128	4.00 x 8 Tube F/TIR4008	2
22	SMS0005393	Lug Bolt	10
23	WCT0001000	1" Flatwasher - Plated	2
24	PIN0011337	Clevis Pin	2
25	NCC0000750	3/4" NC Hex Nut - Plated	2
26	SCC0080014	3/4" x 4" NC HT CS - Plated	1
27	LNK0073249	Chute To Cylinder Link	1
28	COT0000803	3/16" x 1-1/2" Cotter Pin	4
29	PIN0026531	Pickup Pivot Pin	2
30	CNK0000550	Offset Connecting Link	2
31	CHN0032748	Pickup Chute Chain	2
32	TRK0032325	R.H. Pickup Chain Track	1
33	TRK0032322	L.H. Pickup Chain Track	1
34	BAR0031491	Lower Crowder Bar Assembly	1

ELEVATOR ASSEMBLY

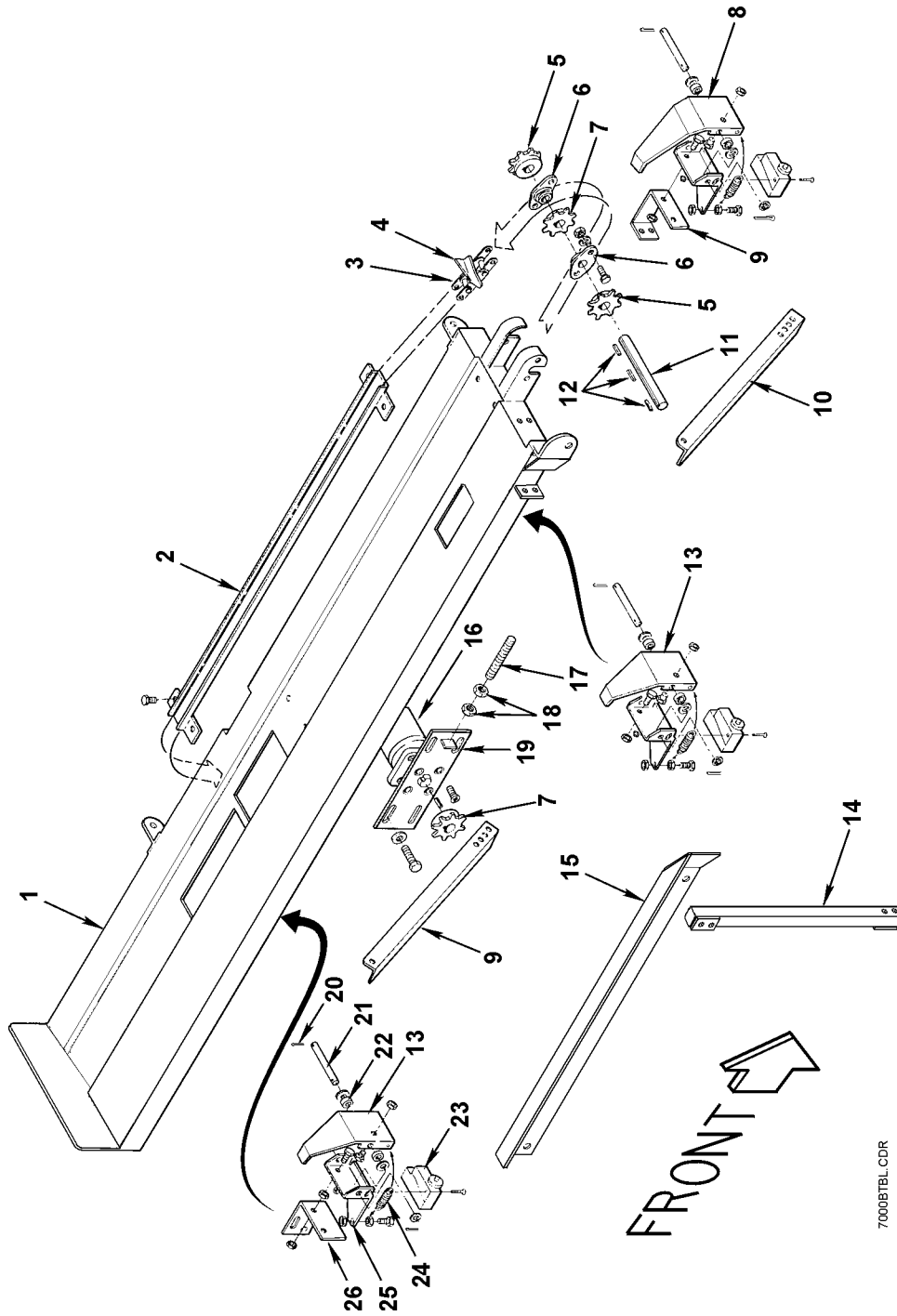


7000ELV.CDR

ELEVATOR ASSEMBLY

REF NO.	PART NO.	DESCRIPTION	QTY. USED
1	ELV0032327	Elevator Frame Assembly	1
2	CHN0035051	Lower Elevator Chain	2
3	CNK0000550	Offset Connecting Link	4
4	TRK0032652	Lower Elevator Chain Track	2
5	TRK0032653	Upper Elevator Chain Track	2
6	CHN0035052	Upper Elevator Chain	2
7	MNT0073145	Elevator Upper Mount - Slotted	2
8	NCH0000750	3/4" NC Hex Nut - Plated	2
9	WLK0000750	3/4" Lockwasher - Plated	2
10	WCT0000750	3/4" Flatwasher - Plated	A/R
11	SPK0008039	7 Tooth Idler Sprocket	2
12	SCC0080010	3/4" x 3" NC HT CS - Plated	2
13	MNT0032737	Elevator Bearing Mount	2
14	02-104	1" Flange Bearings	4
15	SPK0025111	Elevator Conveyor Sprocket	4
16	BSH0000H10	Slit Taper Bushing F/SPK25111	4
17	SHF0032650	Elevator/Pickup Drive Shaft	1
18	MNT0032745	Elevator Motor Mount	1
19	MTR00RSAK1	Elevator Hydraulic Motor	1
20	ZZ 0000454	1/4" x 1/4" x 2" Key	6
21	CPL0010011	1 x 1L W/1/4"KW Coupling	1
22	BAR0073142	Lower Hold Down Bar Assembly	1
23	SPG0073238	Bar Bracket Spring	2
24	BAR0031490	Upper Crowder Bar Assembly	1
25	ELV0073299	Elevator Hold Down Arm Assembly	1
26	SCC0020014	5/16" x 4" NCHT CS - Plated	2
27	MNT0073135	Pipe Mount Bushing (Pair)	2
28	SPG0017227	Hold Down Bar Spring	1
29	SHF0032651	Elevator/Pickup Idler Shaft	1
30	SHD0032903	Elevator Chain Shield	1

BALE TABLE ASSEMBLY

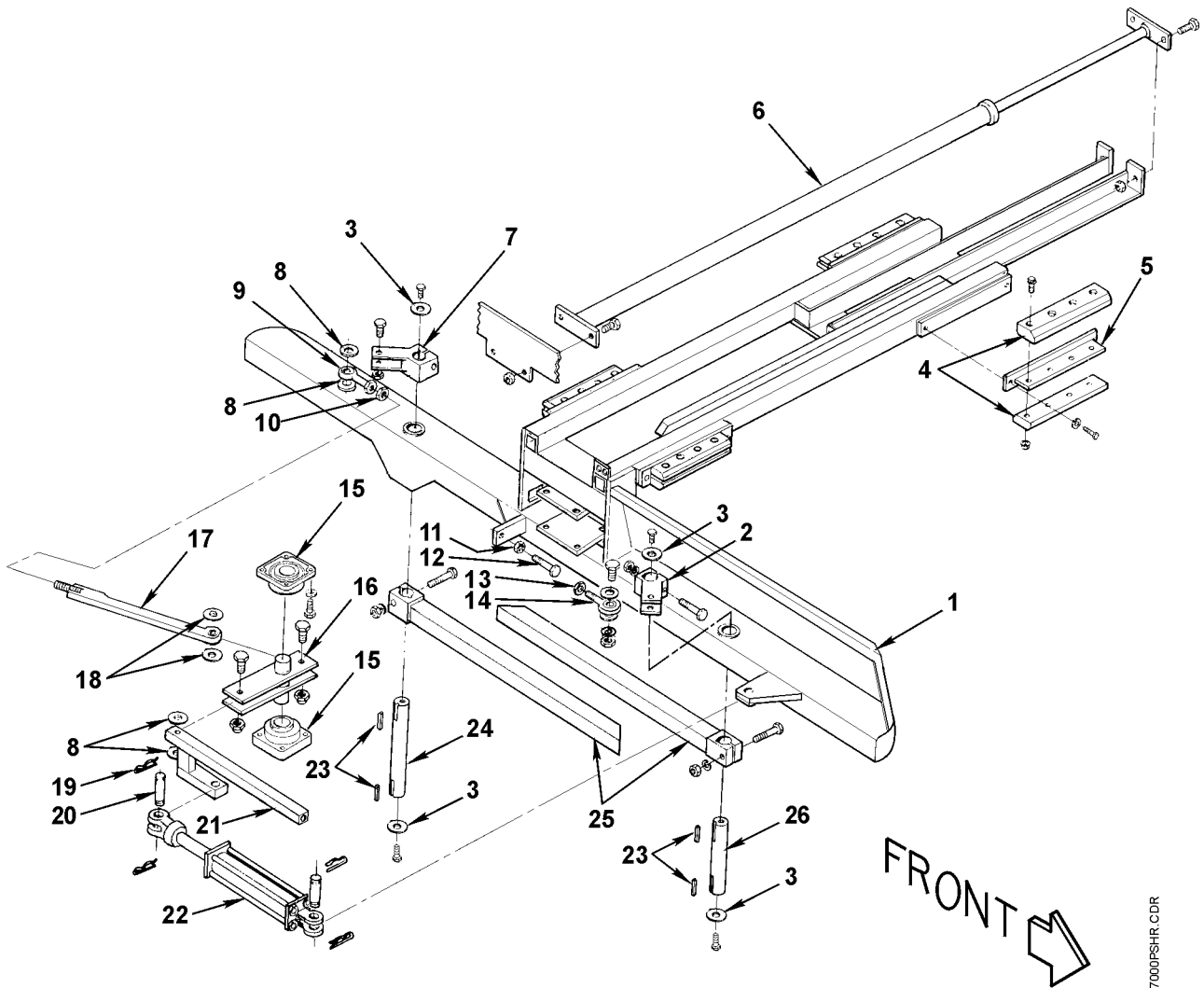


7000BTBL.CDR

BALE TABLE ASSEMBLY

REF NO.	PART NO.	DESCRIPTION	QTY. USED
1	FRM0018344	Bale Table Frame	1
2	TRK0016931	Bale Table Chain Track	1
3	CNK0002060	Connecting Link - 2060H	1
4	CHN0035053	Bale Table Chain Assembly	1
5	SPK0025111	Elevator Conveyor Sprocket	2
	BSH0000H10	Slit Taper Bushing F/SPK25111	2
6	02-104	1" Flange Bearings	2
7	SPK0060172	Bale Table Sprocket	2
8	ACT0032804	Limit Switch Actuator	1
9	MNT0032794	Mounting Bracket	1
10	SUP0073075	Table Support Arm	2
11	SHF0073076	Sprocket Shaft	1
12	ZZ 0000448	1/4" x 2" Key	3
13	ACT0073458	Limit Switch Actuator	2
14	SUP0073512	Table Bale Guide Support	1
15	GUD0073511	Table Bale Guide	1
16	MTR00RSAK1	Elevator Hydraulic Motor	1
17	F 0000073	1/2" x 4" Square Head Set Screw	1
18	NCJ0000500	1/2" NC Hex Jam Nut	2
19	MNT0032787	Bale Table Chain Motor Mount	1
20	COT0000502	1/8" x 1" Cotter Pin	6
21	11-260	Actuator Pivot Pin	3
22	ZZ 0002016	3/8" Set Collar	6
23	03-158	Limit Switch	3
24	F 0000278	Spring	3
25	11-258	Limit Switch Actuator Bracket	3
26	BKT0073077	Switch Mount Bracket	1

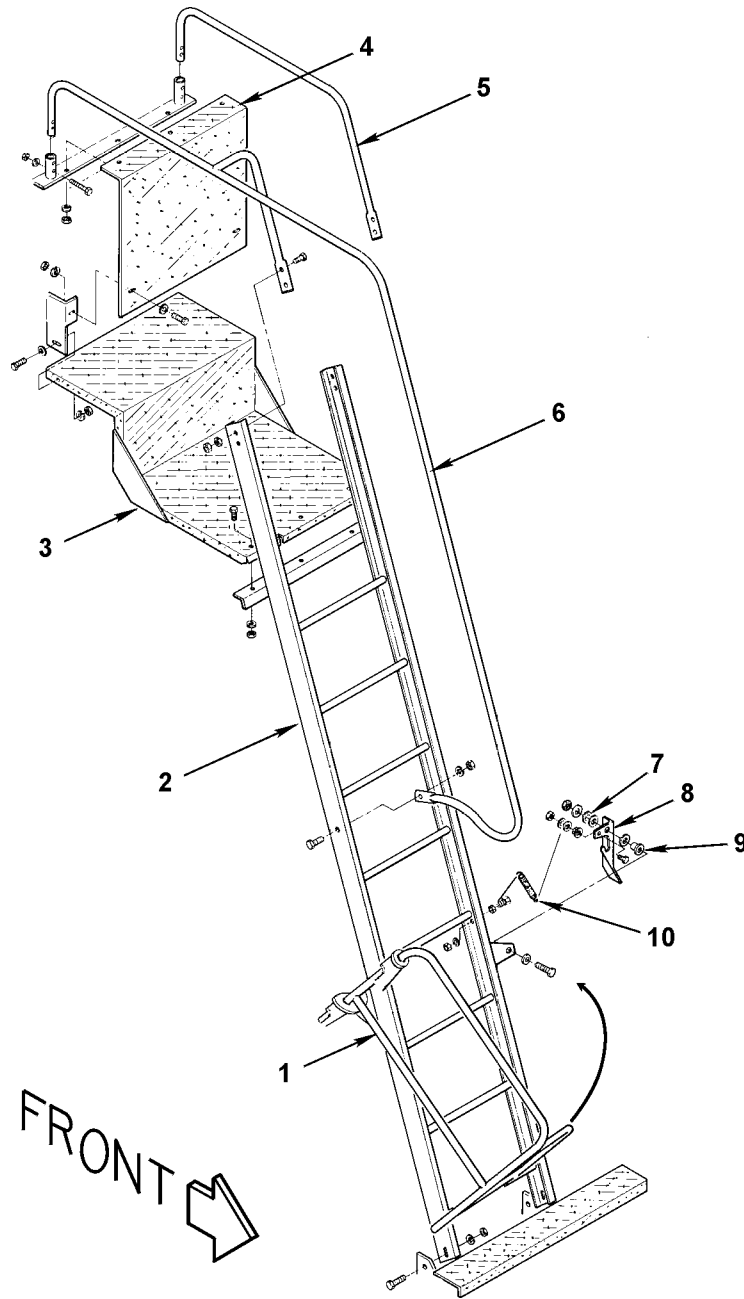
BALE PUSHER ASSEMBLY



BALE PUSHER ASSEMBLY

REF NO.	PART NO.	DESCRIPTION	QTY. USED
1	PUS0073472	Bale Pusher Frame	1
2	LEV0073322	Front Tie Arm Lever	1
3	F 0008023	Washer	4
4	SRP0016794	Pusher Guide Pad Wear Strip	8
5	MNT0016827	Wear Strip Mount Assembly	4
6	CYL0017568	Pusher Cylinder	1
	SEL0017568	Seal Kit F/CYL17568	1
7	LEV0073323	Rear Tie Arm Lever	1
8	WCT0000750	3/4" Flatwasher - Plated	4
9	F 00001549	3/4" R.H. Female Rod End	1
10	NFJ0000750	3/4" NF Hex Jam Nut - Plated	1
11	NCJ0000750	3/4" NC Hex Jam Nut - Plated	1
12	SCC0080008	3/4" x 2-1/2" NC HT CS - Plated	1
13	NFJ0000500	1/2" NF Hex Jam Nut - Plated	1
14	F 0005992	1/2" R.H. Male Rod End	1
15	BRGRCJ1375	1-3/8" Flange Bearing	2
16	BLT0073319	Tie Pivot Arm Assembly	1
17	LEV0073189	Tie Arm Lever Assembly	1
18	WCT0000500	1/2" Flatwasher - Plated	2
19	COT0000503	1/8" x 1-1/4" Cotter Pin	4
20	F 0006498	Cylinder Pin	2
21	LEV0073196	Front Tie Arm Lever	1
22	CYL0004966	Hydraulic Cylinder	1
	SEL3105034	Seal Kit F/Cyl4966	1
23	ZZ 000413	3/8" x 3/8" x 1-7/8" Key	4
24	SHF0073002	Tie Arm Shaft For Pusher	1
25	ARM0073402	Tie Arm	2
26	SHF0073003	Tie Arm Shaft For Pusher	1

LADDER AND SAFETY PLATFORM ASSEMBLIES

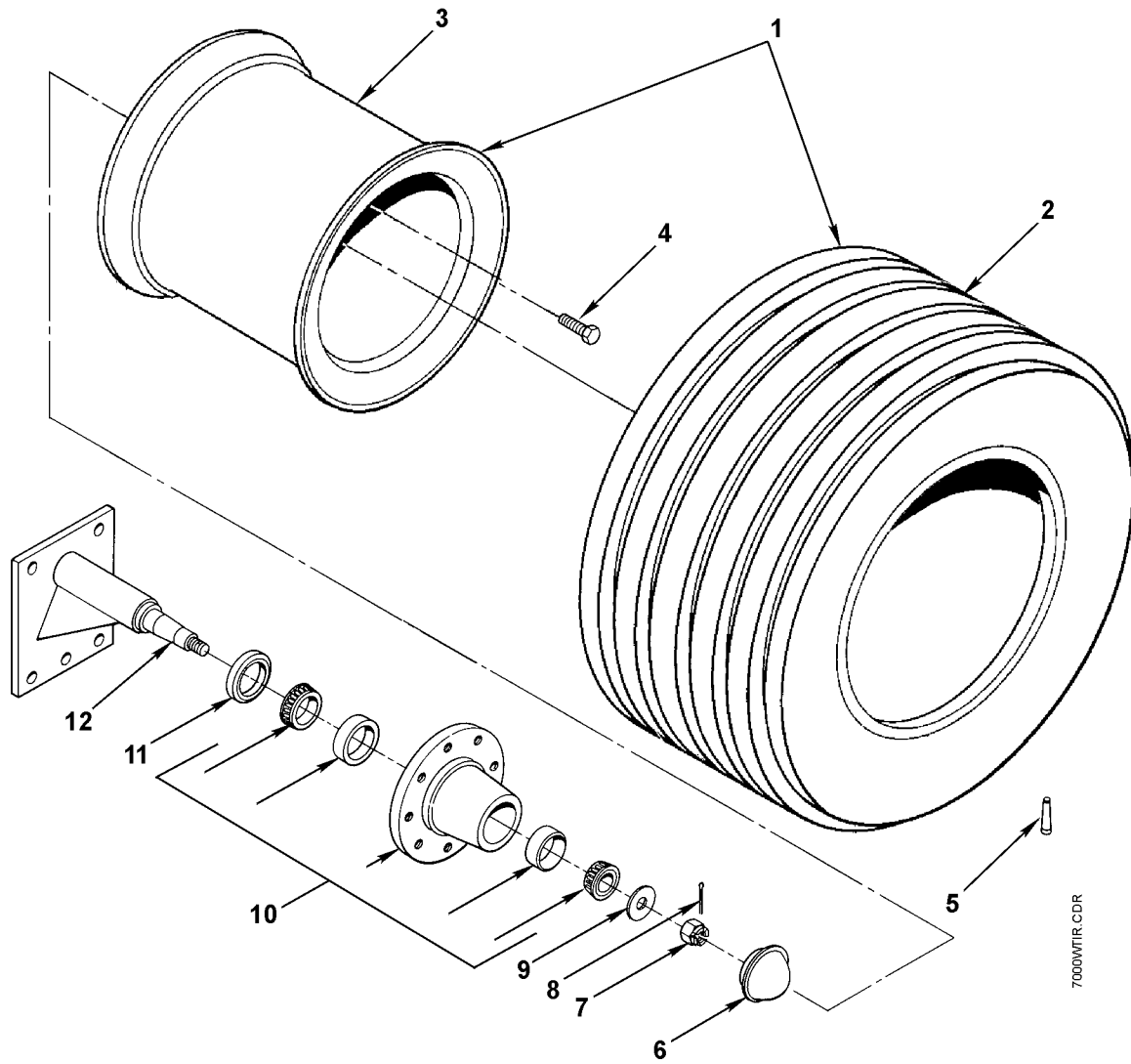


7000LADR.CDR

LADDER AND SAFETY PLATFORM ASSEMBLIES

REF NO.	PART NO.	DESCRIPTION	QTY. USED
1	GAT0016815	Safety Gate Assembly	1
2	LDR0016768	Ladder Assembly	1
3	FLP0016778	Safety Platform	1
4	MNT0016779	Valve Mounting Plate	1
5	RAL0016777	L.H. Hand Rail	1
6	RAL0016772	R.H. Hand Rail	1
7	WAS0500875	1/2" Shim Washers	A/R
8	LAT0016809	Safety Gate Latch	1
9	05-132	5/16" Ferrule	1
10	F 0000278	Spring	1

TIRES, WHEELS AND SPINDLES

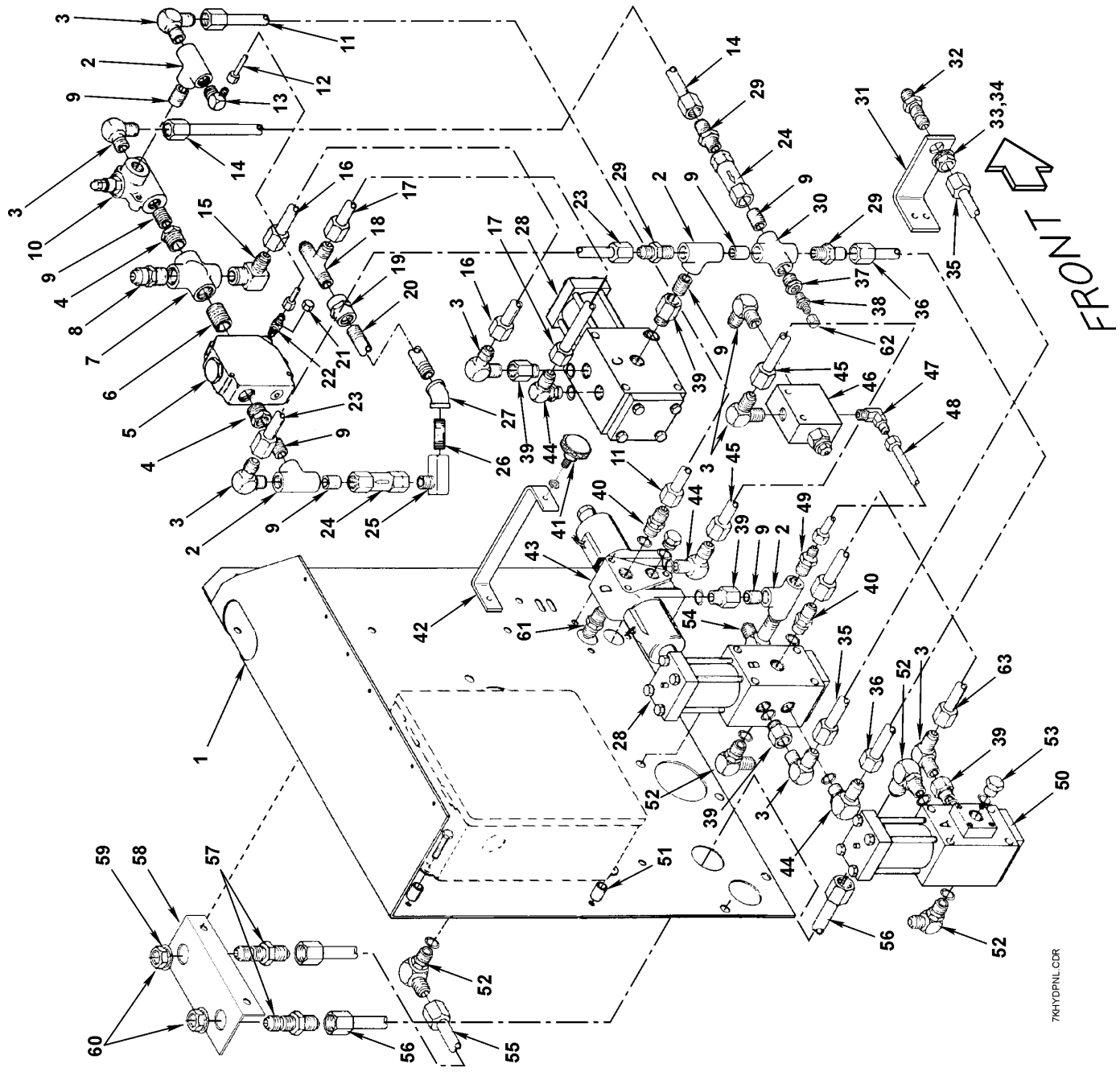


7000WTIR.CDR

TIRES, WHEELS AND SPINDLES

REF NO.	PART NO.	DESCRIPTION	QTY. USED
1	WHL0053579	Tire And Wheel Assembly	2
2	TIR2151614	Tire - Tubeless - 21.5L x 16.1 - 14PLY	2
3	WHL0108493	Wheel - 18 x 16.1	2
4	21-108	Lug Bolt	16
5	19-109	Valve Stem	2
6	F 0008000	Hub Cap - 8 Hole Hub	2
7	17-218	7/8" NF Castellated Nut	2
8	COT0000503	1/8" x 1-1/4" Cotter Pin	2
9	21-179	Spindle Washer	2
10	21-901	Hub And Bearing Assembly	2
11	02-122	Grease Seal	2
12	SPN0032649	Spindle Mount	2

HYDRAULIC CONTROL PANEL

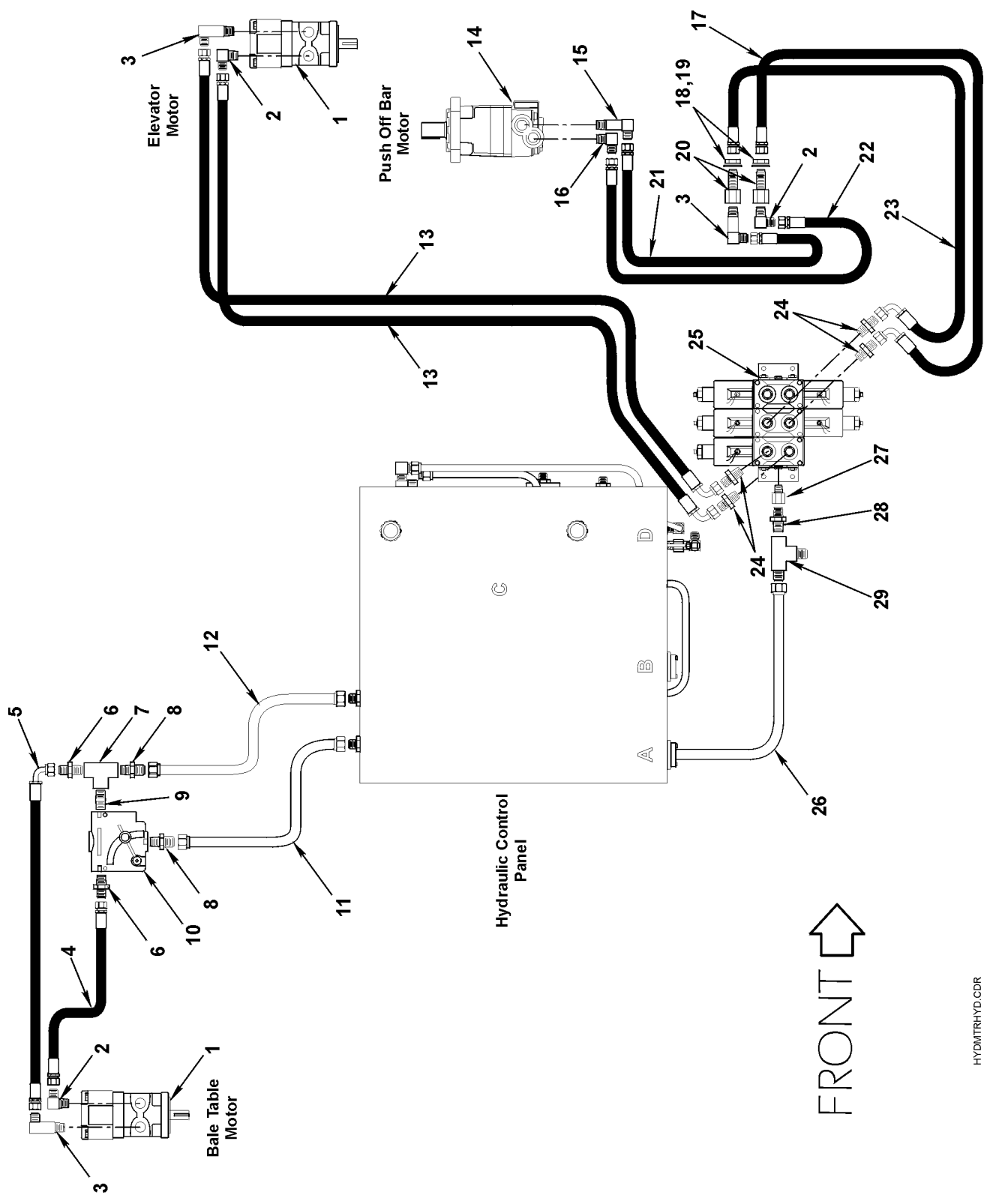


76HYDRNL.CDR

HYDRAULIC CONTROL PANEL

REF NO.	PART NO.	DESCRIPTION	QTY. USED	REF NO.	PART NO.	DESCRIPTION	QTY. USED
1	PLT0007989	Valve Mounting Plate	1	33	HYD5924050	5/8" Bulk Head Nut	1
2	HYD3709040	1/2" Tee	4	34	WIS0008750	7/8" Internal Star Washer	1
3	HYD5405054	5/8" JIC x 1/2" NPT 90° Male Elbow	7	35	TUB0035008	5/8" Hydraulic Tube	1
4	HYD3109064	1/2" x 3/4" NPT Steel Bushing	2	36	TUB0035003	5/8" Hydraulic Tube	1
5	VLVORD1075	Sequence Valve	1	37	HYD3109042	1/2" x 1/4" NPT Steel Bushing	1
6	PPE7500200	3/4" x 2" Standard Black Pipe Nipple	1	38	HYD5205020	1/4" JIC x 1/4" NPT Male Connector	1
7	HYD3959060	3/4" Steel Cross	1	39	HYD3269044	1/2" O-Ring x 1/2" NPT Female Adapter	4
8	HYD5205060	3/4" JIC x 3/4" NPT Male Connector	1	40	HYD5315054	5/8" JIC x 1/2" O-Rng Str Thd Conn	2
9	01-720	1/2" x Close EX Heavy BLK Pipe Nip	8	41	GRS0000081	Knob	2
10	01-506	1000PSI Relief Valve	1	42	BKT0032791	Valve Cover Standoff Bracket	2
11	TUB0035018	5/8" Hydraulic Tube	1	43	VLV0004813	Double Solenoid Valve	1
12	TBE0035009	5/8" Hydraulic Tube	1	44	HYD5515054	5/8" JIC x 1/2" NPT 90° Male Elbow	2
13	HYD5405034	3/8" JIC x 1/2" NPT 90° Male Elbow	1	45	TUB0035011	5/8" Hydraulic Tube	1
14	TUB0035007	5/8" Hydraulic Tube	1	46	VLV0000006	Counter Balance Valve	1
15	HYD5405064	3/4" JIC x 1/2" NPT 90° Male Elbow	1	47	HYD5405032	3/8" JIC x 1/4" NPT 90° Male Elbow	1
16	TUB0035004	5/8" Hydraulic Tube	1	48	TUB0035001	3/8" Hydraulic Tube	1
17	TUB0035005	5/8" Hydraulic Tube	1	49	HYD5205034	3/8" JIC x 1/2" NPT Male Connector	1
18	HYD5755054	5/8" JIC x 1/2" NPT Male Run Tee	1	50	VLV4951184	Solenoid Valve	1
19	HYD3309040	1/2" NPT Steel Pipe Coupling	1		SOL0015019	Electric Solenoid	1
20	PPE5008500	1/2" x 8-1/2" EX Heavy BLK Pipe Nipple	1	51	SPC0009069	Control Box Mount Spacer	4
21	HYD5129030	3/8" JIC Cap	1	52	HYD5515064	3/4" JIC x 1/2" O-Ring 90° Male Elbow	4
22	HYD5755032	3/8" JIC x 1/4" NPT Male Run Tee	1	53	HYD7230040	1/2" O-Ring Hex Head Plug	2
23	TUB0035006	5/8" Hydraulic Tube	1	54	HYD5425054	5/8" JIC x 1/2" NPT Long 90° Male Elb	1
24	F 0006657	1/2" Check Valve	2	55	TUB0035019	3/4" Hydraulic Tube	1
25	HYD3409040	1/2" NPT 90° Steel Run Elbow	1	56	TUB0035017	3/4" Hydraulic Tube	1
26	PPE0502500	1/2" X 2-1/2" EX Heavy BLK Pipe Nip	1	57	HYD5325060	3/4" JIC Bulk Head Union	2
27	HYD3559040	1/2" NPT x 45° Steel Female Pipe Elb	1	58	BKT0032691	Hydraulic Panel Bulkhead Bracket	1
28	VLV495T819	Solenoid Valve	2	59	WIS0011250	1-1/8" Internal Star Washer	2
	SOL0015019	Electric Solenoid	2	60	HYD5924060	3/4" Bulk Head Nut	2
29	HYD5205054	5/8" JIC x 1/2" NPT Male Connector	5	61	HYD5315064	3/4" JIC x 1/2" O-Rng Str Thd Conn	1
30	HYD3959040	1/2" Steel Cross	1	62	HYD5129020	1/4" JIC Cap	1
31	BKT0007992	Tube Support Bracket	1	63	TUB0035002	5/8" Hydraulic Tube	1
32	HYD5325050	5/8" JIC Bulk Head Union	1				

BALE TABLE, ELEVATOR AND PUSH OFF BAR MOTORS HYDRAULICS

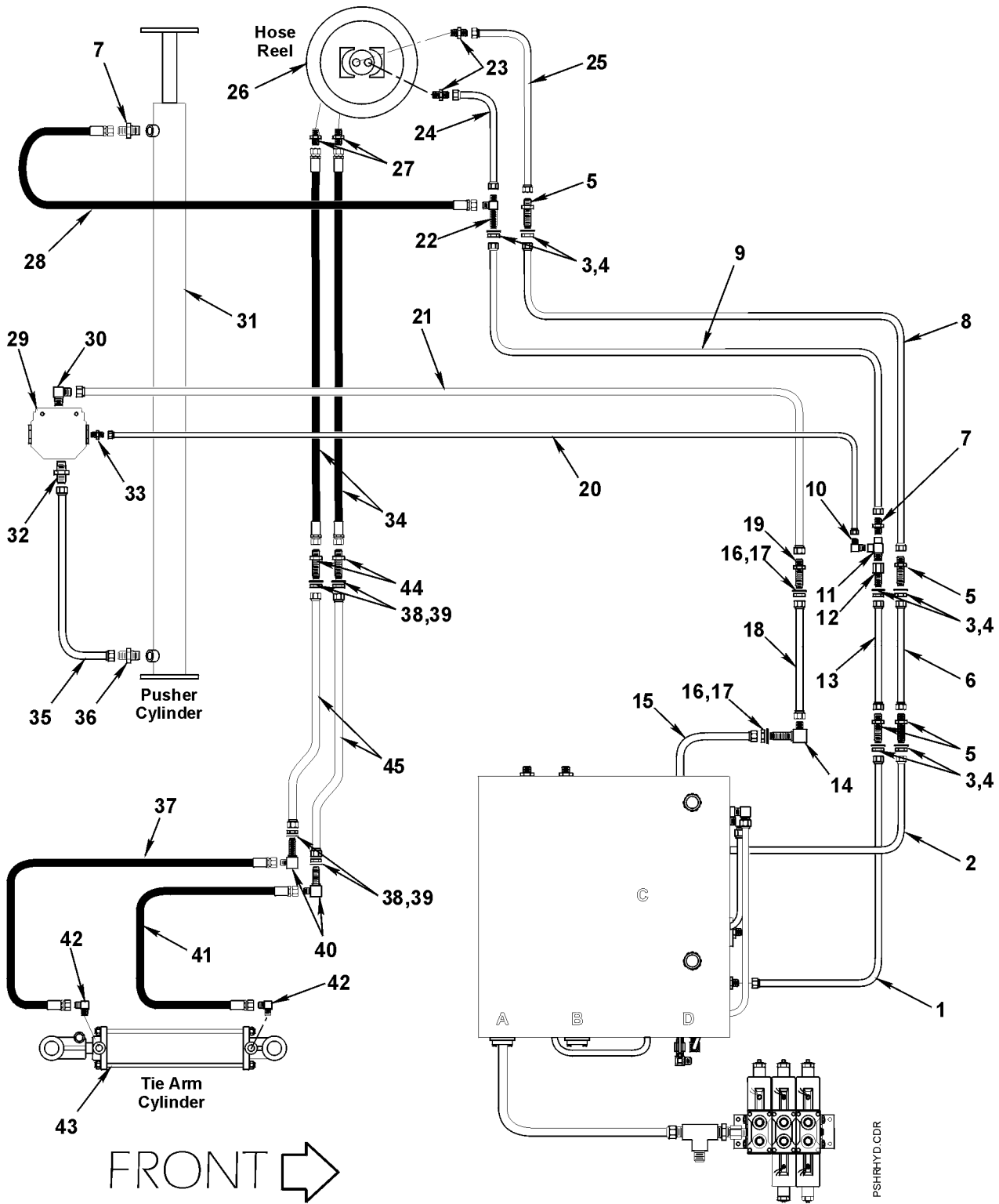


HYDMTRHYD.CDR

BALE TABLE, ELEVATOR AND PUSH OFF BAR MOTORS HYDRAULICS

REF NO.	PART NO.	DESCRIPTION	QTY. USED
1	MTR00RSAK1	Hydraulic Motor	2
2	HYD5405054	5/8" JIC x 1/2" NPT 90° Male Elbow	3
3	HYD5425054	5/8" JIC x 1/2" NPT Long 90° Male Elb	3
4	HOS0032753	Hydraulic Hose	1
5	HOS0032757	Hydraulic Hose	1
6	HYD5205044	1/2" JIC x 1/2" NPT Male Connector	2
7	HYD3709040	1/2" Tee	1
8	HYD5205064	3/4" JIC x 1/2" NPT Male Connector	2
9	01-720	1/2" Close EX Heavy BLK Pipe Nip	1
10	01-521	Flow Contol Valve	1
11	TUB0035028	3/4" Hydraulic Tube	1
12	TUB0035029	3/4" Hydraulic Tube	1
13	HOS0034352	Hydraulic Hose	2
14	MTR1041026	Hydraulic Motor	1
15	HYD5515051	5/8" JIC x 5/8" O-Ring XL 90° Male Elb	1
16	HYD5515050	5/8" JIC x 5/8" O-Ring 90° Male Elbow	1
17	HOS0034357	Hydraulic Hose	1
18	HYD5924050	5/8" Bulk Head Nut	2
19	WIS0008750	7/8" Internal Star Washer	2
20	HYD5275050	5/8" JIC x 1/2" NPT Fem Blkhd Conn	2
21	HOS0034354	Hydraulic Hose	1
22	HOS0034353	Hydraulic Hose	1
23	HOS0034355	Hydraulic Hose	1
24	HYD5315040	1/2" JIC x 1/2" O-Rng Str Thd Conn	4
25	VLV4813132	Stack Valve Assembly	1
26	TUB0035030	3/4" Hydraulic Tube	1
27	HYD3269046	1/2" O-Ring x 3/4" NPT Female Adapter	1
28	HYD3069064	3/4" NPT x 3/4" NPT Hex Nipple	1
29	HYD5805060	3/4" JIC x 3/4" NPT Female Run Tee	1

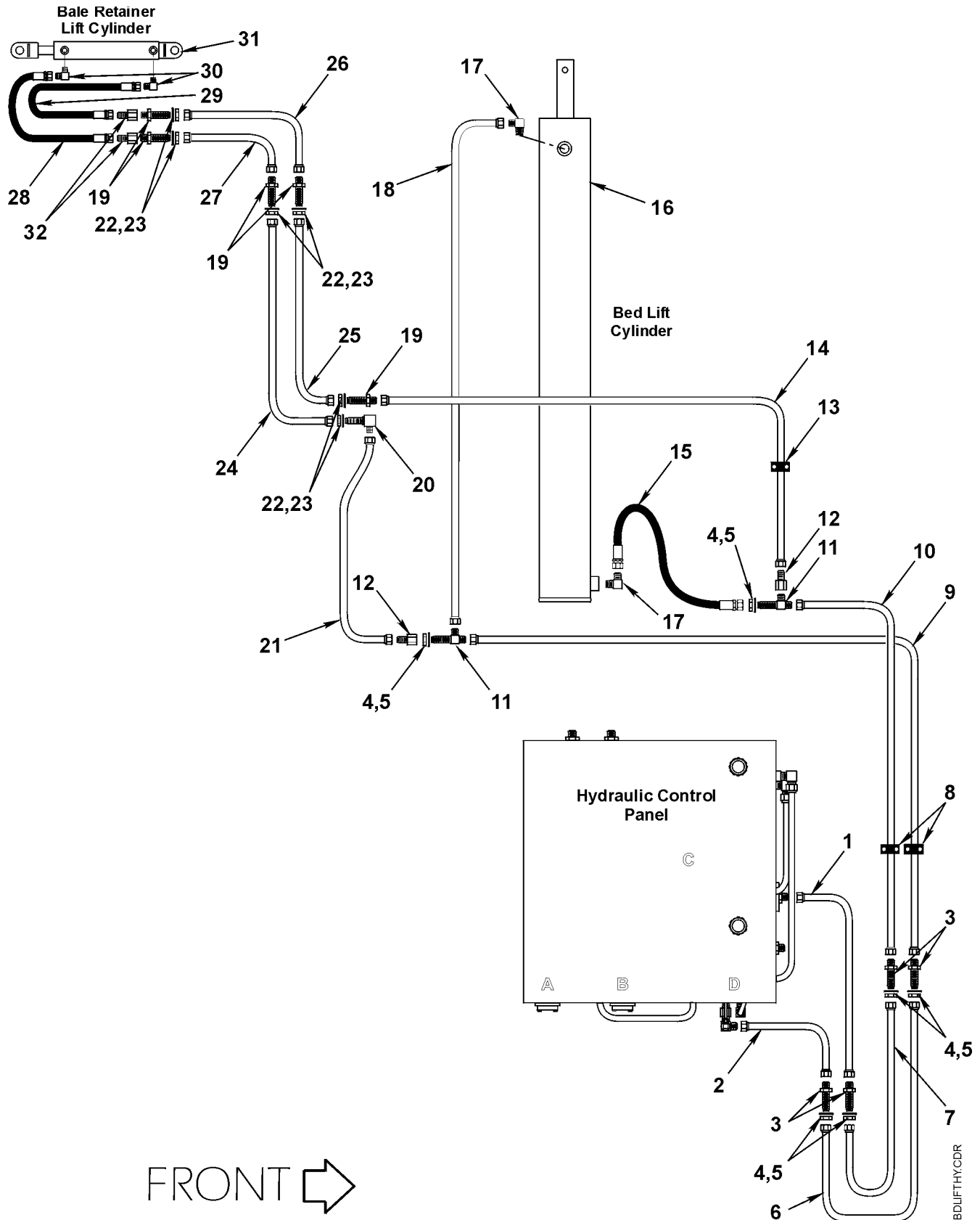
PUSHER HYDRAULICS



PUSHER HYDRAULICS

REF NO.	PART NO.	DESCRIPTION	QTY. USED	REF NO.	PART NO.	DESCRIPTION	QTY. USED
1	TUB0035026	5/8" Hydraulic Tube	1	24	TUB0035039	5/8" Hydraulic Tube	1
2	TUB0035027	5/8" Hydraulic Tube	1	25	TUB0035038	5/8" Hydraulic Tube	1
3	HYD5924050	5/8" Bulk Head Nut	6	26	REE0646040	Hose Reel	1
4	WIS0008750	7/8" Internal Star Washer	6	27	HYD5315040	1/2" JIC x 1/2" O-Rng Str Thd Conn	2
5	HYD5325050	5/8" JIC Bulk Head Union	4	28	HOS0034351	Hydraulic Hose	1
6	TUB0035041	5/8" Hydraulic Tube	1	29	VLVRD10750	Selector Valve	1
7	HYD5205054	5/8" JIC x 1/2" NPT Male Connector	2	30	HYD5405060	3/4" JIC x 3/4" NPT 90° Male Elbow	1
8	TUB0035033	5/8" Hydraulic Tube	1	31	CYL0017568	Pusher Cylinder	1
9	TUB0035031	5/8" Hydraulic Tube	1	32	HYD5205060	3/4" JIC x 3/4" NPT Male Connector	1
10	HYD5405034	3/8" JIC x 1/2" NPT 90° Male Elbow	1	33	HYD5205032	3/8" JIC x 1/4" NPT Male Connector	1
11	HYD3759040	1/2" NPT Male Run Tee	1	34	HOS0032756	Hydraulic Hose	2
12	HYD5275050	5/8" JIC x 1/2" NPT Fem Bikhd Conn	1	35	TUB0035040	3/4" Hydraulic Tube	1
13	TUB0035042	5/8" Hydraulic Tube	1	36	HYD5205064	3/4" JIC x 1/2" NPT Male Connector	1
14	HYD5525060	3/4" JIC 90° Male Bulkhead Elbow	1	37	HOS0032755	Hydraulic Hose	1
15	TUB0035025	3/4" Hydraulic Tube	1	38	WIS0000750	3/4" Internal Star Washer	4
16	WIS0011250	1-1/8" Internal Star Washer	2	39	HYD5924040	1/2" Bulk Head Nut	4
17	HYD5924060	3/4" Bulk Head Nut	2	40	HYD5525040	1/2" JIC 90° Male Bulkhead Elbow	2
18	TUB0035043	3/4" Hydraulic Tube	1	41	HOS0032754	Hydraulic Hose	1
19	HYD5325060	3/4" JIC Bulk Head Union	1	42	HYD5405044	1/2" JIC x 1/2" NPT 90° Male Elbow	1
20	TUB0035015	3/8" Hydraulic Tube	1	43	CYL0004966	Hydraulic Cylinder	1
21	TUB0035032	3/4" Hydraulic Tube	1		SEL3105034	Seal Kit F/Cyl4966	1
22	HYD5726050	5/8" JIC Bulkhead Run Tee	1	44	HYD5325040	1/2" JIC Bulk Head Union	2
23	HYD5315054	5/8" JIC x 1/2" NPT O-Rng Str Thd Conn4		45	TUB0035014	1/2" Hydraulic Tube	1

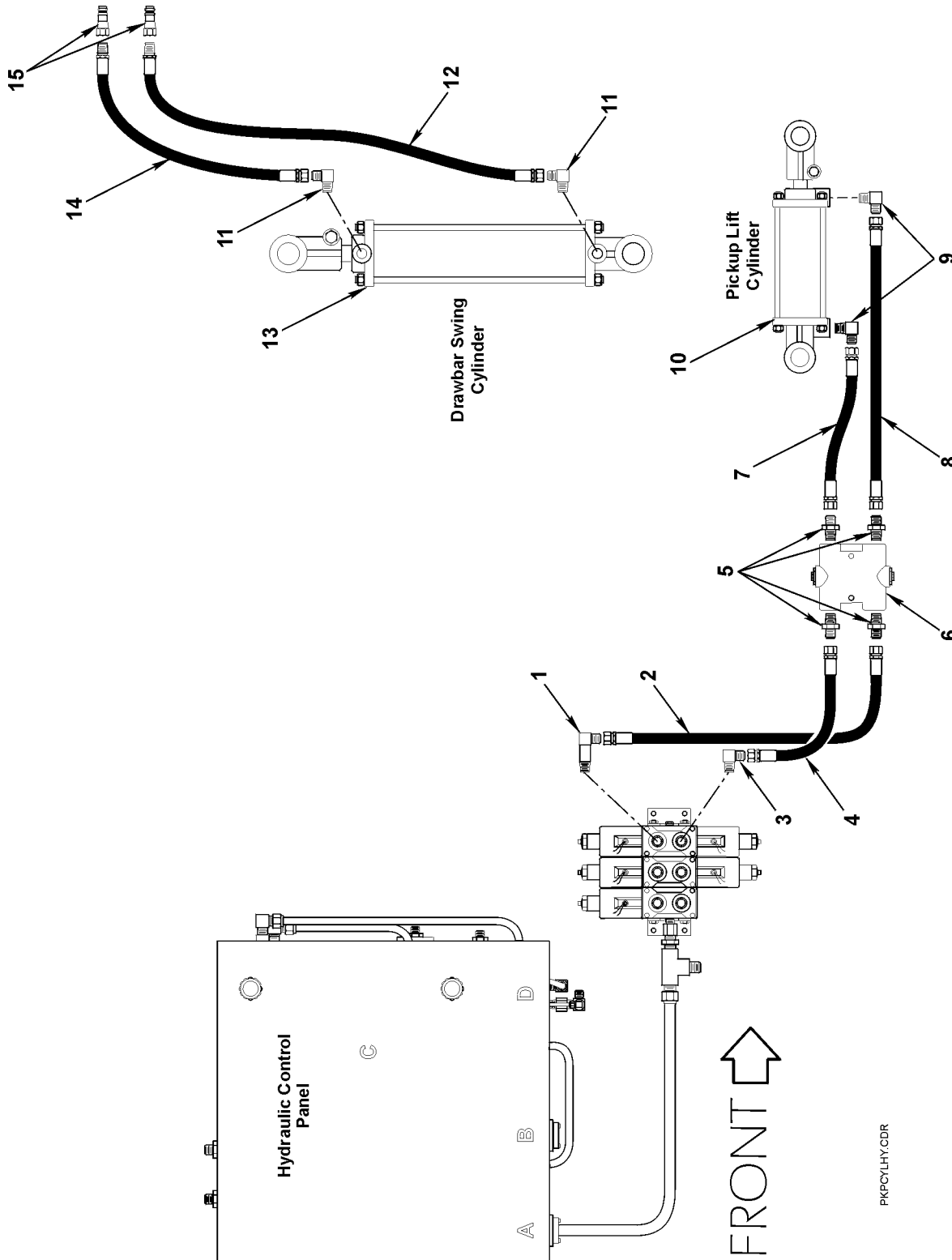
BALE RETAINER AND BED LIFT CYLINDER HYDRAULICS



BALE RETAINER AND BED LIFT CYLINDER HYDRAULICS

REF NO.	PART NO.	DESCRIPTION	QTY. USED
1	TUB0035021	5/8" Hydraulic Tube	1
2	TUB0035020	5/8" Hydraulic Tube	1
3	HYD5325050	5/8" JIC Bulk Head Union	4
4	HYD5924050	5/8" Bulk Head Nut	4
5	WIS0008750	7/8" Internal Star Washer	4
6	TUB0035044	5/8" Hydraulic Tube	1
7	TUB0035022	5/8" Hydraulic Tube	1
8	CLP0021601	5/8" Tube Clamp	14
9	TUB0035012	5/8" Hydraulic Tube	1
10	TUB0035013	5/8" Hydraulic Tube	1
11	HYD5726050	5/8" JIC Bulkhead Run Tee	2
12	HYD5015066	5/8" JIC x 1/2" JIC Reducer	2
13	CLP0021301	1/2" Tube Clamp	1
14	TUB0035034	1/2" Hydraulic Tube	1
15	HOS0034358	Hydraulic Hose	1
16	CYL0000454	4" x 54" Hydraulic Cylinder	1
17	HYD5405050	5/8" JIC x 1/2" NPT 90° Male Elbow	2
18	TUB0035024	5/8" Hydraulic Tube	1
19	HYD5325040	1/2" JIC Bulk Head Union	5
20	HYD5525040	1/2" JIC 90° Male Bulkhead Elbow	1
21	TUB0035023	1/2" Hydraulic Tube	1
22	WIS0000750	3/4" Internal Star Washer	6
23	HYD5924040	1/2" Bulk Head Nut	6
24	TUB0035010	1/2" Hydraulic Tube	1
25	TUB0035035	1/2" Hydraulic Tube	1
26	TUB0035036	1/2" Hydraulic Tube	1
27	TUB0035037	1/2" Hydraulic Tube	1
28	HOS0032752	Hydraulic Hose	1
29	HOS0032751	Hydraulic Hose	1
30	F 0006635	3/8" JIC x 3/8" NPT 90° Male Elbow	2
31	F 0006724	Hydraulic Cylinder	1
32	HYD5015043	1/2" JIC x 3/8" JIC Reducer	2

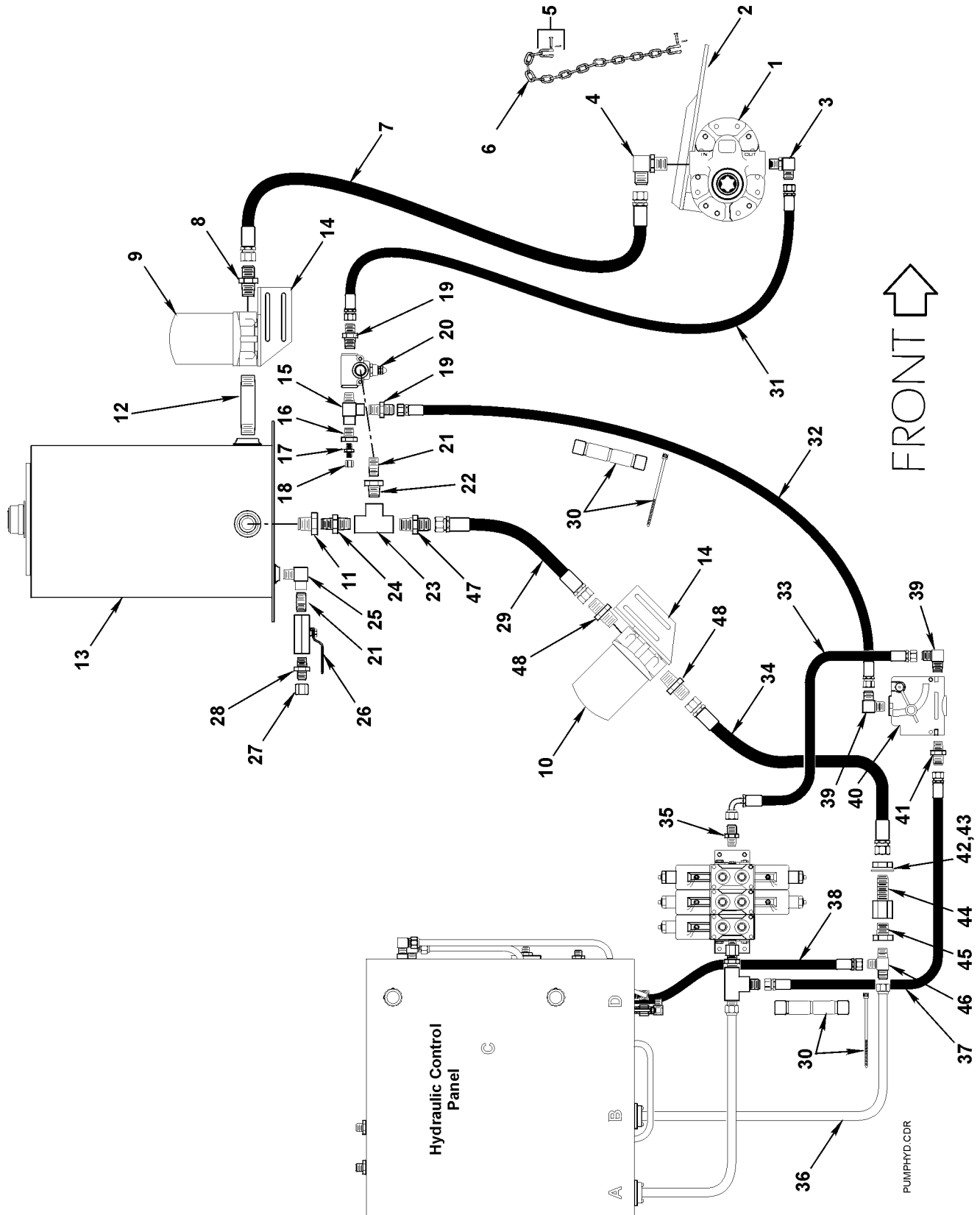
PICKUP AND DRAWBAR CYLINDER HYDRAULICS



PICKUP AND DRAWBAR CYLINDER HYDRAULICS

REF NO.	PART NO.	DESCRIPTION	QTY. USED
1	HYD5515044	1/2 JIC x 1/2" O-Ring EX Long 90° El	1
2	HOS0034348	Hydraulic Hose	2
3	HYD5515040	1/2 JIC x 1/2" O-Ring 90° Male Elbow	1
4	HOS0034347	Hydraulic Hose	1
5	HYD5205044	1/2" JIC x 1/2" NPT Male Connector	4
6	F 00006188	Lockout Valve	1
7	HOS0034350	Hydraulic Hose	1
8	HOS0034349	Hydraulic Hose	1
9	HYD5405040	1/2" JIC x 3/8" NPT 90° Male Elbow	2
10	CYL0004966	Hydraulic Cylinder	1
11	HYD5515034	3/8 JIC x 1/2" O-Ring 90° Male Elbow	2
12	HOS0022852	Drawbar Swing Hose	1
13	CYL0009014	Hydraulic Cylinder	1
14	HOS0016658	Drawbar Swing Hose	1
15	CPL0080104	1/2" Quick Coupler	2

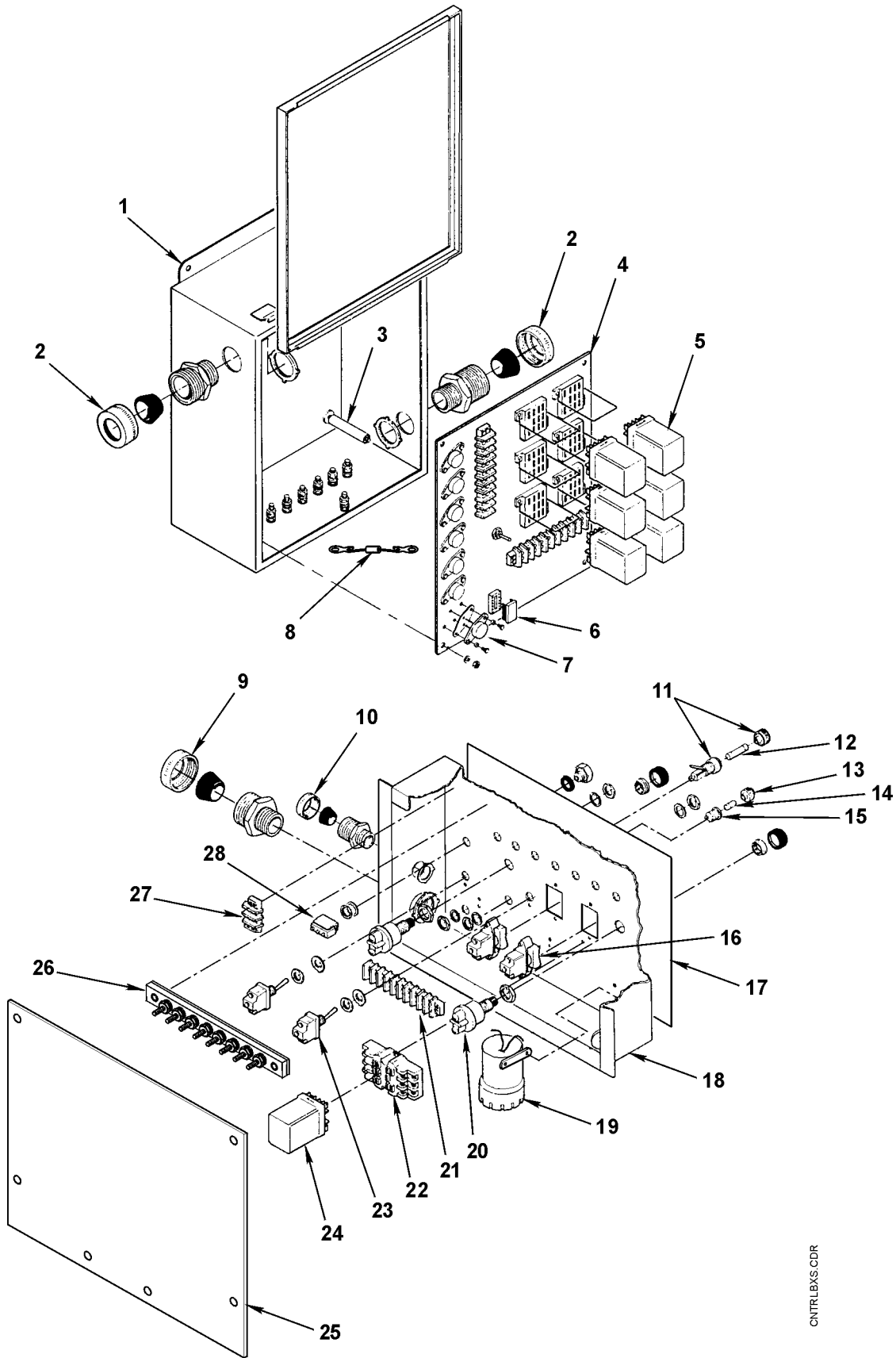
MAIN HYDRAULICS



MAIN HYDRAULICS

REF NO.	PART NO.	DESCRIPTION	QTY. USED	REF NO.	PART NO.	DESCRIPTION	QTY. USED
1	PMP0000001	Hydraulic Pump	1	24	HYD3069070	1" NPT Steel Hex Nipple	1
2	BAR0073224	Hydraulic Pump Anchor Bar	1	25	HYD3409040	1/2" NPT 90° Steel Run Tee	1
3	HYD5515060	3/4" JIC x 3/4" O-Ring 90° Male Elbow	1	26	VLV0002005	1/2" NPT Ball Valve	1
4	HYD5515080	1-1/4" JIC x 1-1/4" O-Ring 90° Male Elb	1	27	HYD5129030	3/8" JIC Cap	1
5	CLV0007721	1/4" Shackle - Cotter Pin	2	28	HYD5205034	3/8" JIC x 1/2" NPT Male Connector	1
6	CHN0000209	Chain	1	29	HOS0032760	Hydraulic Hose	1
7	HOS0034359	Hydraulic Hose	1	30	HPS0000008	Hose Protector W/ Tie Straps	2
8	HYD5205100	1-1/4" JIC x 1-1/4" NPT Male Connector	1	31	HOS0032763	Hydraulic Hose	1
9	FIL0000002	Filter Assembly	1	32	HOS0034345	Hydraulic Hose	1
10	FIL0225110	Filter Assembly	1	33	HOS0023435	Hydraulic Hose	1
11	HYD3109087	1-1/4" NPT x 1" NPT Steel Pipe Bushing	1	34	HOS0032758	Hydraulic Hose	1
12	PPE1250401	1-1/4" NPT x 5" STD BLK Pipe Nipple	1	35	HYD5315064	3/4" JIC x 1/2" O-Rng Str Thd Conn	1
13	TNK0032722	Hydraulic Tank - Complete	1	36	TUB0035016	3/4" Hydraulic Tube	1
	FIL0010003	Filter Cap W/ Screen	1	37	HOS0034343	Hydraulic Hose	1
	TNK0006759	Tank Cover	1	38	HOS0034346	Hydraulic Hose	1
	GSK0008337	Tank Cover Gasket	1	39	HYD5405060	3/4" JIC x 3/4" NPT 90° Male Elbow	2
14	BKT0032729	Hydraulic Filter Bracket	2	40	VLV0051075	3/4" NPT Flow Control Valve	1
15	HYD3759040	1/2" NPT Male Run Tee	1	41	HYD5205060	3/4" JIC x 3/4" NPT Male Connector	1
16	HYD3109042	1/2" x 1/4" NPT Steel Bushing	1	42	HYD5924080	1" Bulk Head Nut	1
17	HYD5205022	1/4" JIC x 1/4" NPT Male Connector	1	43	WIS0013125	1-5/16" Internal Star Washer	1
18	HYD5129020	1/4" JIC Cap	1	44	HYD5275080	1" JIC x 1" NPT Female Blkhd Conn	1
19	HYD5205064	3/4" JIC x 1/2" NPT Male Connector	2	45	HYD3109076	1" NPT x 3/4" NPT Steel Pipe Bushing	1
20	01-513	2000PSI Relief Valve	1	46	HYD5755060	3/4" JIC x 3/4" NPT Male Run Tee	1
21	01-720	1/2" Close EX Heavy BLK Pipe Nip	2	47	HYD5205070	1" JIC x 1" NPT Male Connector	3
22	HYD3109074	1" NPT x 1/2" NPT Steel Pipe Bushing	1	48	HYD5205081	1" JIC x 1-1/4" NPT Male Connector	2
23	HYD3709070	1" NPT Steel Tee	1				

CONTROL BOX ASSEMBLIES

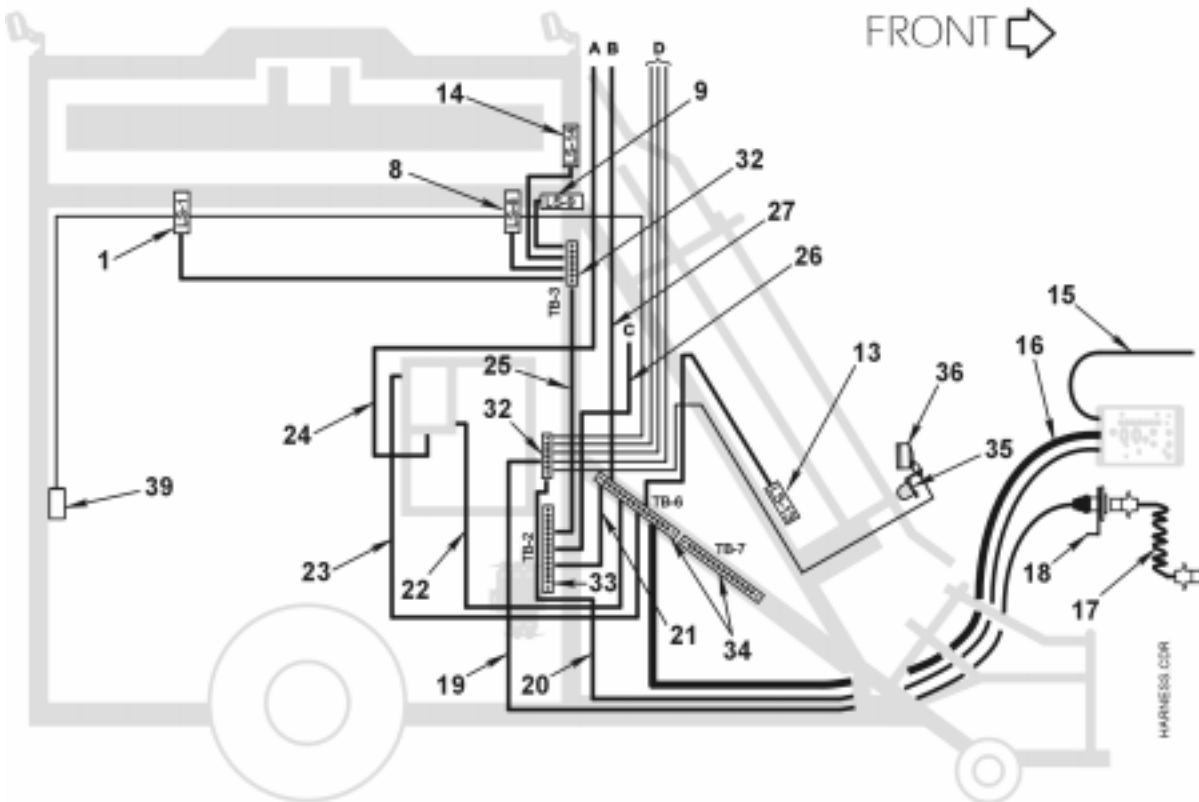
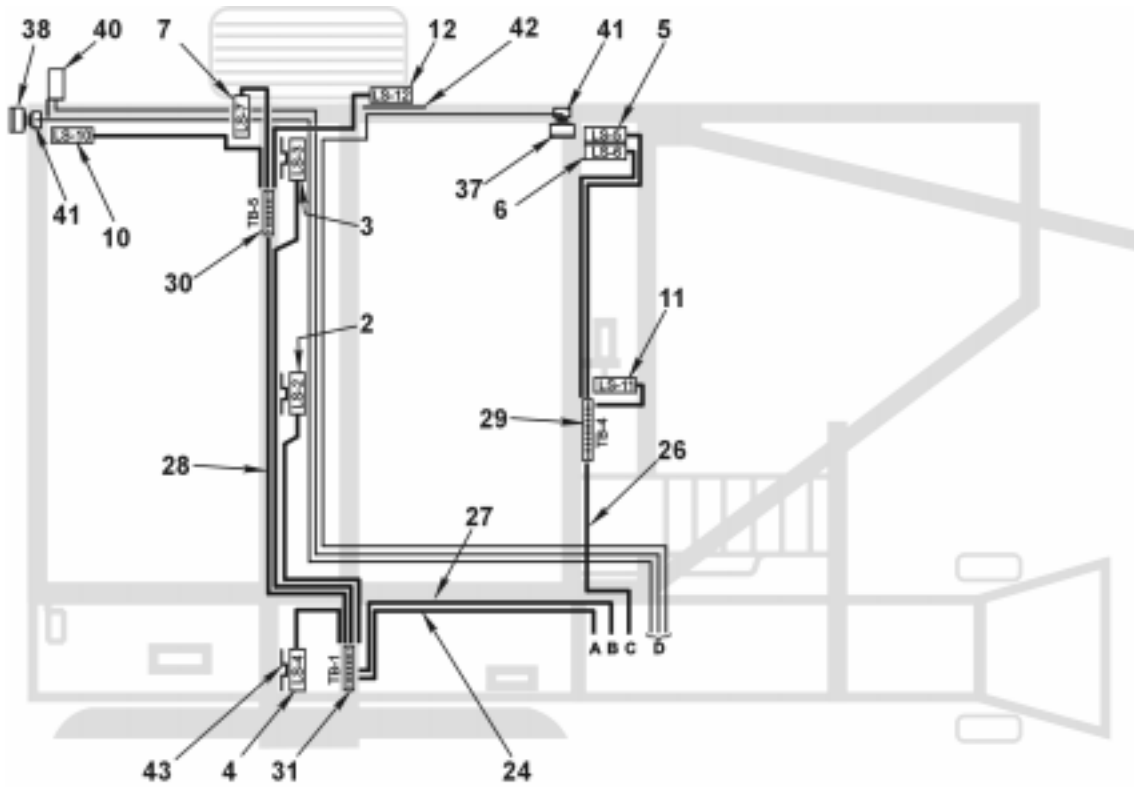


ONTRLBXS.CDR

CONTROL BOX ASSEMBLIES

REF NO.	PART NO.	DESCRIPTION	QTY. USED
1	03-180	Relay Box W/Cover	1
2	CNR0000297	Strain Relief Connector	2
3	07-126	Spacer	4
4	03-900	Relay Chassis Complete	1
5	03-182	Magnetic Relay	6
6	03-183	Intergrated Circuit	1
7	03-184	Transistor	1
8	DIO0022965	Diode Assembly	2
9	03-186	1" Strain Relief Connector	1
10	CNR0000193	1/2" Strain Relief Connector	2
11	03-192	Fuse Holder	1
12	03-193	AGC 15 Fuse	1
13	03-189	Indicator Lamp Lens	8
14	03-190	Indicator Lamp Bulb	8
15	03-188	Indicator Lamp Base	8
16	SWI0005071	Rocker Switch	2
17	FD 0028672	Operator's Control Box Decal	1
18	BOX0028667	Operator's Control Box	1
19	ALA0210388	Back-up Alarm	1
20	F 0005237	Switch	2
21	BAB0010140	Barrier Block - 10 Post	1
	MSR0010140	10 Post Marker Strip	1
22	SOK0027121	Relay Socket	1
23	03-181	Toggle Switch	3
24	03-182	Magnetic Relay	1
25	CVR0031459	Control Box Rear Cover	1
26	TEB0472108	8 Post Terminal Block	1
27	TEB0002140	Barrier Block - 2 Post	1
28	03-191	Push Button Swich	1

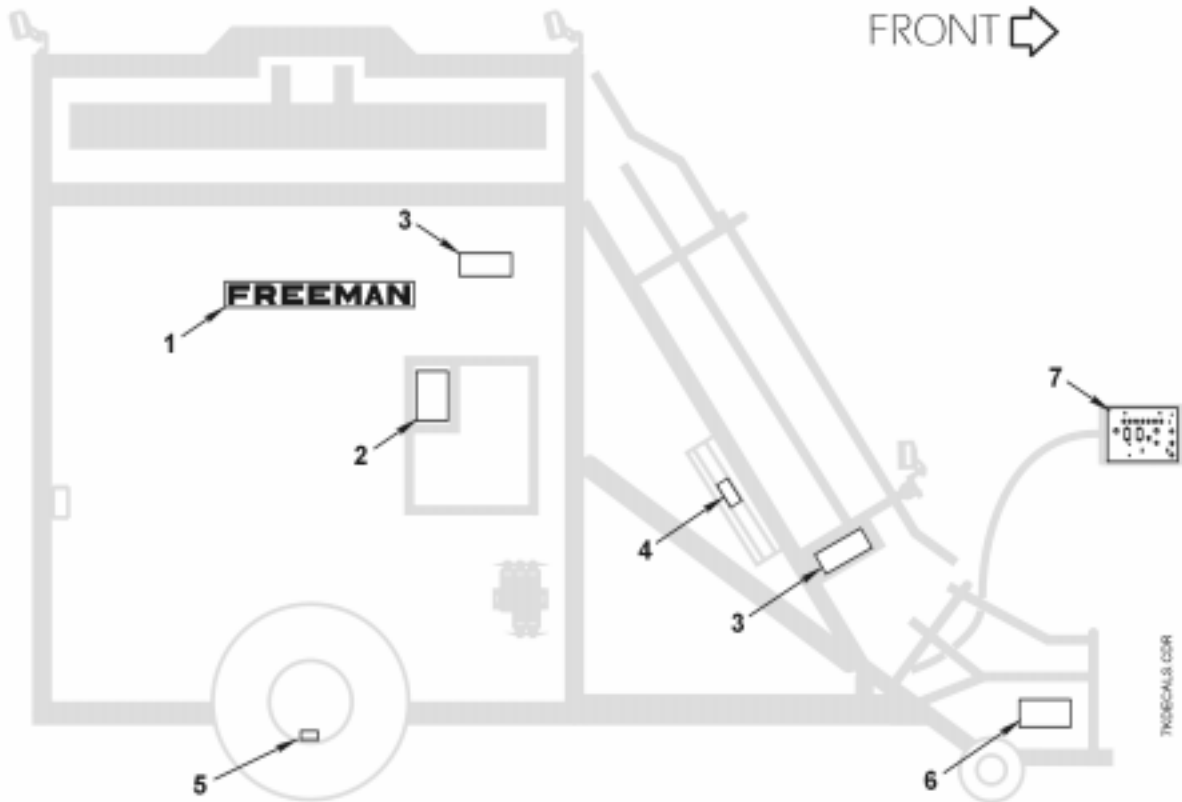
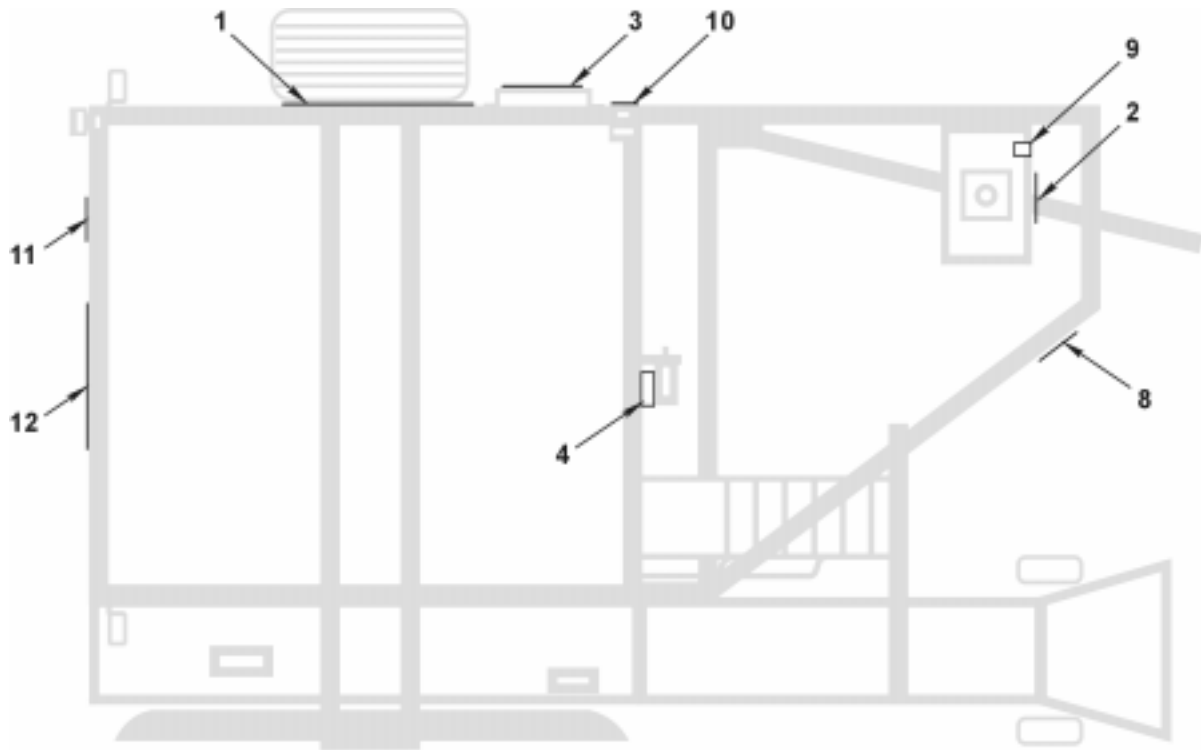
LIGHTS, LIMIT SWITCHES AND HARNESS ASSEMBLIES



LIGHTS, LIMIT SWITCHES AND HARNESS ASSEMBLIES

REF NO.	PART NO.	DESCRIPTION	QTY. USED	REF NO.	PART NO.	DESCRIPTION	QTY. USED	
1	<u>LS-1 Center Bale Pusher Start Limit Switch</u>		1	13	<u>LS-13 Safety Gate Limit Switch</u>		1	
	03-158	Limit Switch 3 - Post	1		SWI0005079	Limit Switch 4 - Post	1	
	CNR0000193	1/2" Strain Relief Connector	1		CNR0000193	1/2" Strain Relief Connector	1	
	CBL0017060	Cable, LS-1 To TB-3	1		CBL0034982	Cable, LS-13 To TB-6	1	
2	<u>LS-2 Pusher Short Stroke Return Limit Switch</u>		1		ARM0005001	1-1/2" Roller Arm	1	
	SWI0005079	Limit Switch 4 - Post	1	14	<u>LS-14 Pusher Delay #2 Limit Switch</u>		1	
	CNR0000193	1/2" Strain Relief Connector	1		03-158	Limit Switch 3 - Post	1	
	CBL0017049	Cable, LS-2 To TB-1	1		CNR0000193	1/2" Strain Relief Connector	1	
	ARM0005001	1-1/2" Roller Arm	1		CBL0034983	Cable, LS 14 To JB 3	1	
3	<u>LS-3 Pusher Long Stroke Return Limit Switch</u>		1	15	CBL0017041	Cable - Power Source To Control Box	1	
	SWI0005079	Limit Switch 4 - Post	1		16	CBL0034984	Cable - Control Box To Junction Block	1
	CNR0000193	1/2" Strain Relief Connector	1		17	CBL1121702	7 Conductor Cable	1
	CBL0017050	Cable, LS-3 To TB-1	1		18	BKT0028704	Socket Bracket	1
	ARM0005001	1-1/2" Roller Arm	1		19	CBL0034986	Running Lights Cable	1
4	<u>LS-4 Pusher Stop Limit Switch</u>		1		20	CBL0034987	Working Lights Cable	1
	SWI0005079	Limit Switch 4 - Post	1		21	CBL0034988	TB 2 To TB 6	1
	CNR0000193	1/2" Strain Relief Connector	1		22	CBL0034989	Relay Box To TB 6	1
	CBL0017048	Cable, LS-4 To TB-1	1		23	CBL0034990	Relay Box To TB (6,7)	1
	ARM0005001	1-1/2" Roller Arm	1		24	CBL0034991	Relay Box To TB 1	1
5	<u>LS-5 Tier Tie Limit Switch</u>		1		25	CBL0034992	TB 2 To TB 3	1
	SWI0005079	Limit Switch 4 - Post	1		26	CBL0034993	TB 2 To TB 4	1
	CNR0000193	1/2" Strain Relief Connector	1		27	CBL0034994	TB 1 To TB (6,7)	1
	CBL0017053	Cable, LS-5 To TB-4	1		28	CBL0017057	TB 1 To TB 5	1
	ARM0005083	3" Roller Arm	1		29	TEB0472108	8 Post Terminal Block	1
6	<u>LS-6 Interlocking Tier Tie Limit Switch</u>		1		CVR0032405	8 Post Junction Block Cover	1	
	SWI0005079	Limit Switch 4 - Post	1		30	03-161	6 Post Terminal Block	1
	CNR0000193	1/2" Strain Relief Connector	1		CVR0032402	6 Post Junction Block Cover	1	
	CBL0017054	Cable, LS-6 To TB-4	1		31	TEB0472110	10 Post Terminal Block	1
	ARM0005083	3" Roller Arm	1		CVR0032403	10 Post Junction Block Cover	1	
7	<u>LS-7 Bed Index Limit Switch</u>		1		32	TEB0472105	5 Post Terminal Block	2
	SWI0005079	Limit Switch 4 - Post	1		CVR0032404	5 Post Junction Block Cover	1	
	CNR0000193	1/2" Strain Relief Connector	1		33	03-162	12 Post Terminal Block	1
	CBL0017052	Cable, LS-7 To TB-5	1		CVR0032784	12 Post Junction Block Cover	1	
	ARM0005001	1-1/2" Roller Arm	1		34	TEB0472114	14 Post Terminal Block	2
8	<u>LS-8 Pusher Start Limit Switch</u>		1		CVR0032785	14 Post Junction Block Cover	2	
	03-158	Limit Switch 3 - Post	1		35	BKT0034995	Elevator Flood Light Mount Bracket	1
	CNR0000193	1/2" Strain Relief Connector	1		36	LIT7189802	Flood Light - Elevator	1
	CBL0017059	Cable, LS-8 To TB-3	1		HRN0034996	Harness - Elevator Light To TB	1	
9	<u>LS-9 Pusher Delay #1 Limit Switch</u>		1		37	LIT7189802	Flood Light - Front L.H. Top	1
	03-158	Limit Switch 3 - Post	1		HRN0034997	Harness - Front L.H. Top Light To TB	1	
	CNR0000193	1/2" Strain Relief Connector	1		38	LIT7189802	Flood Light - Rear L.H. Top	1
	CBL0034981	Cable, LS-9 To TB-3	1		HRN0034998	Harness - Rear L.H. Top Light To TB	1	
10	<u>LS-10 Bale Retainer Stop Limit Switch</u>		1		39	LIT0003863	Dual Face Tail Light - R.H. Rear	1
	SWI0005079	Limit Switch 4 - Post	1		HRN0034999	Harness - R.H. Rear Tail Light	1	
	CNR0000193	1/2" Strain Relief Connector	1		40	LIT0003863	Dual Face Tail Light - L.H. Rear	1
	CBL0017051	Cable, LS-10 To TB-5	1		HRN0035000	Harness - L.H. Rear Tail Light	1	
	ARM0005001	1-1/2" Roller Arm	1		41	BKT0025105	Work Light Mount Bracket	2
11	<u>LS-11 Pushoff Stop/Bed Up Limit Switch</u>		1		42	MNT0073215	Cylinder Head Switch Mount	1
	SWI0005079	Limit Switch 4 - Post	1		43	MNT0073294	Pusher Switch Mount	3
	CNR0000193	1/2" Strain Relief Connector	1					
	CBL0017055	Cable, LS-11 To TB-4	1					
	ARM0005083	3" Roller Arm	1					
12	<u>LS-12 Load Bed Stop/Horn Limit Switch</u>		1					
	SWI0005079	Limit Switch 4 - Post	1					
	CNR0000193	1/2" Strain Relief Connector	1					
	CBL0017056	Cable, LS-12 To TB-5	1					
	ARM0005001	1-1/2" Roller Arm	1					

DECALS



DECALS

REF NO.	PART NO.	DESCRIPTION	QTY. USED
1	FD 0007113	36" X 5" White "Freeman" Decal	2
2	FD 0023473	"CAUTION" 8 Item List Of Cautions	2
3	FD 0023582	"WARNING" Keep Hands Away...	2
4	FD 000059E	Decal - "Look And Listen"...	2
5	FD 0023951	Lug Nut Decal	2
6	FD 0023574	"DANGER" Keep Away From Opening	2
7	FD 0028672	Operator's Control Box Decal	1
8	FD 0034273	"CAUTION" Jack Will Support...	1
9	FD 0000045	Decal - Hydraulic Tank Oil Level	1
10	NP 0000100	Serial Number ID Plate	1
11	FD 0023894	"DANGER" Keep Out From Under Bed	1
12	FD 0007111	25" X 4" White "Freeman" Decal	1

PART NUMBER INDEX

PART	PAGES	PART	PAGES	PART	PAGES
01-506	23	BAR0073288	9	CHN0035050	9
01-513	33	BAR0073345	9	CHN0035051	13
01-521	25	BED0073275	9	CHN0035052	13
01-720	23,25,33	BKT0007992	23	CHN0035053	15
02-104	13,15	BKT0025105	37	CHN0070024	9
02-115	9	BKT0028704	37	CHN0073024	9
02-122	21	BKT0032691	23	CHN0073055	9
02-154	9	BKT0032729	33	CHN0073228	9
03-158	15,37	BKT0032791	23	CLP0021301	29
03-161	37	BKT0034995	37	CLP0021601	29
03-162	37	BKT0073077	15	CLV0007721	33
03-180	35	BKT0073296	9	CNK0000550	11,13
03-181	35	BLT0073319	17	CNK0002008	9
03-182	35	BOX0028667	35	CNK0002060	15
03-183	35	BRC7311600	3	CNR0000193	35,37
03-184	35	BRC7311601	3	CNR0000297	35
03-186	35	BRGRCJ1375	17	COT0000502	15
03-188	35	BSH0000H10	13,15	COT0000503	21
03-189	35	CAM0016742	3	CPL0010011	13
03-190	35	CAP0046749	11	CPL0080104	31
03-191	35	CBL0017041	37	CVR0031459	35
03-192	35	CBL0017048	37	CVR0032402	37
03-193	35	CBL0017049	37	CVR0032403	37
03-900	35	CBL0017050	37	CVR0032404	37
05-132	19	CBL0017051	37	CVR0032405	9,37
05-214	9	CBL0017052	37	CVR0032407	3
06-119	9	CBL0017053	37	CVR0032784	37
07-123	9	CBL0017054	37	CVR0032785	37
07-126	35	CBL0017055	37	CYL0000454	9,29
10-144	11	CBL0017056	37	CYL0004966	17,27,31
10-145	11	CBL0017057	37	CYL0009014	5,31
11-258	15	CBL0017059	37	CYL0017568	17,27
11-260	15	CBL0017060	37	DIO0022965	35
14-104	9	CBL0034981	37	DRB0025843	5
14-107	9	CBL0034982	37	ELV0032327	13
14-108	9	CBL0034983	37	ELV0073299	13
17-218	21	CBL0034984	37	F 0000073	15
19-109	11,21	CBL0034986	37	F 0000172	11
21-108	21	CBL0034987	37	F 0000278	15,19
21-179	21	CBL0034988	37	F 0000440	7
21-901	21	CBL0034989	37	F 0000747	7,11
ACT0032804	15	CBL0034990	37	F 0000883	9
ACT0073458	15	CBL0034991	37	F 0001636	9
ALA0210388	35	CBL0034992	37	F 0005049	7
ARM0005001	37	CBL0034993	37	F 0005237	35
ARM0005083	37	CBL0034994	37	F 0005992	17
ARM0016799	7	CBL1121702	37	F 0006498	5,17
ARM0016800	7	CHN0000209	33	F 0006511	5
ARM0073402	17	CHN0032748	11	F 0006635	29
BAB0010140	35	CHN0035045	9	F 0006657	23
BAR0031490	13	CHN0035046	9	F 0006724	7,29
BAR0031491	11	CHN0035047	9	F 0008000	21
BAR0073142	13	CHN0035048	9	F 0008023	17
BAR0073224	33	CHN0035049	9	F 0006188	31
BAR0073287	9				

PART NUMBER INDEX

PART	PAGES	PART	PAGES	PART	PAGES
FD 0028672	35	HOS0034358	29	HYD5405040	31
FD 0000045	39	HOS0034359	33	HYD5405044	27
FD 000059E	39	HPS0000008	33	HYD5405050	29
FD 0007111	39	HRN0034996	37	HYD5405054	23,25
FD 0007113	39	HRN0034997	37	HYD5405060	27,33
FD 0023473	39	HRN0034998	37	HYD5405064	23
FD 0023574	39	HRN0034999	37	HYD5425054	23,25
FD 0023582	39	HRN0035000	37	HYD5515034	31
FD 0023894	39	HTH0016914	5	HYD5515040	31
FD 0023951	39	HTH0028400	5	HYD5515044	31
FD 0028672	39	HTH0032715	5	HYD5515050	25
FD 0034273	39	HUB0000348	11	HYD5515051	25
FIL0000002	33	HYD3069064	25	HYD5515054	23
FIL0010003	33	HYD3069070	33	HYD5515060	33
FIL0225110	33	HYD3109042	23,33	HYD5515064	23
FLP0016778	19	HYD3109064	23	HYD5515080	33
FRM0016861	3	HYD3109074	33	HYD5525040	27,29
FRM0016862	3	HYD3109076	33	HYD5525060	27
FRM0016910	3	HYD3109087	33	HYD5726050	27,29
FRM0018344	15	HYD3269044	23	HYD5755032	23
GAT0016815	19	HYD3269046	25	HYD5755054	23
GRD0032406	3	HYD3309040	23	HYD5755060	33
GRS0000081	23	HYD3409040	23,33	HYD5805060	25
GSK0008337	33	HYD3559040	23	HYD5924040	27,29
GUD0073016	9	HYD3709040	23,25	HYD5924050	23,25,27,29
GUD0073511	15	HYD3709070	33	HYD5924060	23,27
HGR0016785	5	HYD3759040	27,33	HYD5924080	33
HNG0023458	3	HYD3959040	23	HYD7230040	23
HOS0016658	31	HYD3959060	23	JCK0000158	5
HOS0022852	31	HYD5015043	29	LAT0016809	19
HOS0023435	33	HYD5015066	29	LDR0016768	19
HOS0032751	29	HYD5129020	23,33	LEV0073189	17
HOS0032752	29	HYD5129030	23,33	LEV0073196	17
HOS0032753	25	HYD5205020	23	LEV0073322	17
HOS0032754	27	HYD5205022	33	LEV0073323	17
HOS0032755	27	HYD5205032	27	LIT0003863	37
HOS0032756	27	HYD5205034	23,33	LIT7189802	37
HOS0032757	25	HYD5205044	25,31	LNK0073249	11
HOS0032758	33	HYD5205054	23,27	MNT0016744	3
HOS0032760	33	HYD5205060	23,27,33	MNT0016779	19
HOS0032763	33	HYD5205064	25,27,33	MNT0016827	17
HOS0034343	33	HYD5205070	33	MNT0016865	9
HOS0034345	33	HYD5205081	33	MNT0016868	9
HOS0034346	33	HYD5205100	33	MNT0025269	7
HOS0034347	31	HYD5275050	25,27	MNT0032340	11
HOS0034348	31	HYD5275080	33	MNT0032737	13
HOS0034349	31	HYD5315040	25,27	MNT0032745	13
HOS0034350	31	HYD5315054	23,27	MNT0032787	15
HOS0034351	27	HYD5315064	23,33	MNT0032794	15
HOS0034352	25	HYD5325040	27,29	MNT0073043	9
HOS0034353	25	HYD5325050	23,27,29	MNT0073135	13
HOS0034354	25	HYD5325060	23,27	MNT0073145	13
HOS0034355	25	HYD5405032	23	MNT0073191	9
HOS0034357	25	HYD5405034	23,27	MNT0073215	37

PART NUMBER INDEX

PART	PAGES	PART	PAGES	PART	PAGES
MNT0073294	37	SPK0060048	9	TUB0035023	29
MSR0010140	35	SPK0060154	9	TUB0035024	29
MTR00RSAK1	13,15,25	SPK0060172	15	TUB0035025	27
MTR1041026	9,25	SPK0073349	9	TUB0035026	27
NP 0000100	39	SPN0025350	11	TUB0035027	27
PCY0032354	11	SPN0032649	21	TUB0035028	25
PDL0016798	7	SRP0016794	17	TUB0035029	25
PIN0011337	11	STO0073168	3	TUB0035030	25
PIN0016952	9	STR0073341	9	TUB0035031	27
PIN0016958	9	SUP0032395	11	TUB0035032	27
PIN0026531	11	SUP0073075	15	TUB0035033	27
PIN0033525	9	SUP0073199	3	TUB0035034	29
PIN0033547	9	SUP0073512	15	TUB0035035	29
PIN0051622	5	SWI0005071	35	TUB0035036	29
PIN0073342	5	SWI0005079	37	TUB0035037	29
PIN0073343	5	TBE0035009	23	TUB0035038	27
PLT0007989	23	TEB0002140	35	TUB0035039	27
PLT0073227	9	TEB0472105	37	TUB0035040	27
PLT0073376	3	TEB0472108	35	TUB0035041	27
PMP0000001	33	TEB0472108	37	TUB0035042	27
PPE0502500	23	TEB0472110	37	TUB0035043	27
PPE1250401	33	TEB0472114	37	TUB0035044	29
PPE5008500	23	TIR0004008	11	VLV0000006	23
PPE7500200	23	TIR0199128	11	VLV0002005	33
PUP0073259	11	TIR2151614	21	VLV0004813	23
PUS0073472	17	TNK0006759	33	VLV0051075	33
RAL0016772	19	TNK0032722	33	VLV4813132	25
RAL0016777	19	TRK0016931	15	VLV4951184	23
REE0646040	27	TRK0032322	11	VLV495T819	23
RET0016912	7	TRK0032325	11	VLVORD1075	23
RET0016913	7	TRK0032652	13	VLVRD10750	27
RET0073165	3	TRK0032653	13	WAS0500875	19
ROL0010182	9	TRK0073201	3	WHL0053579	21
SEL0017568	17	TUB0035001	23	WHL0108493	21
SEL3105034	17	TUB0035002	23	WHL0401530	11
SEL3105034	27	TUB0035003	23	WHL0412530	11
SHD0016867	9	TUB0035004	23	WIS0000750	27,29
SHD0032903	13	TUB0035005	23	WIS0008750	23,25
SHD0034528	5	TUB0035006	23	WIS0008750	27,29
SHF0032650	13	TUB0035007	23	WIS0011250	23,27
SHF0032651	13	TUB0035008	23	WIS0013125	33
SHF0073002	17	TUB0035010	29	ZZ 0002016	15
SHF0073003	17	TUB0035011	23	ZZ 000413	17
SHF0073076	15	TUB0035012	29	ZZ 0000448	15
SHF0073285	9	TUB0035013	29	ZZ 0000454	13
SHM0073233	9	TUB0035014	27		
SOK0027121	35	TUB0035015	27		
SOL0015019	23	TUB0035016	33		
SPC0009069	23	TUB0035017	23		
SPG0017227	13	TUB0035018	23		
SPG0073238	13	TUB0035019	23		
SPK0008039	11	TUB0035020	29		
SPK0008039	13	TUB0035021	29		
SPK0025111	13,15	TUB0035022	29		

INDEX OF ILLUSTRATIONS

MAIN FRAME ASSEMBLIES	2
TONQUE ASSEMBLY	4
BALE RETAINER BAR AND INDEX PADDLE ASSEMBLIES.....	6
BED AND PUSH OFF ASSEMBLIES	8
PICKUP ASSEMBLY	10
ELEVATOR ASSEMBLY	12
BALE TABLE ASSEMBLY	14
BALE PUSHER ASSEMBLY	16
LADDER AND SAFETY PLATFORM ASSEMBLIES	18
TIRES, WHEELS AND SPINDLES	20
HYDRAULIC CONTROL PANEL	22
BALE TABLE, ELEVATOR AND PUSH OFF BAR MOTORS HYDRAULICS	24
PUSHER HYDRAULICS	26
BALE RETAINER AND BED LIFT CYLINDER HYDRAULICS	28
PICKUP AND DRAWBAR CYLINDER HYDRAULICS	30
MAIN HYDRAULICS	32
CONTROL BOX ASSEMBLIES	34
LIGHTS, LIMIT SWITCHES AND HARNESS ASSEMBLIES	36
DECALS	38