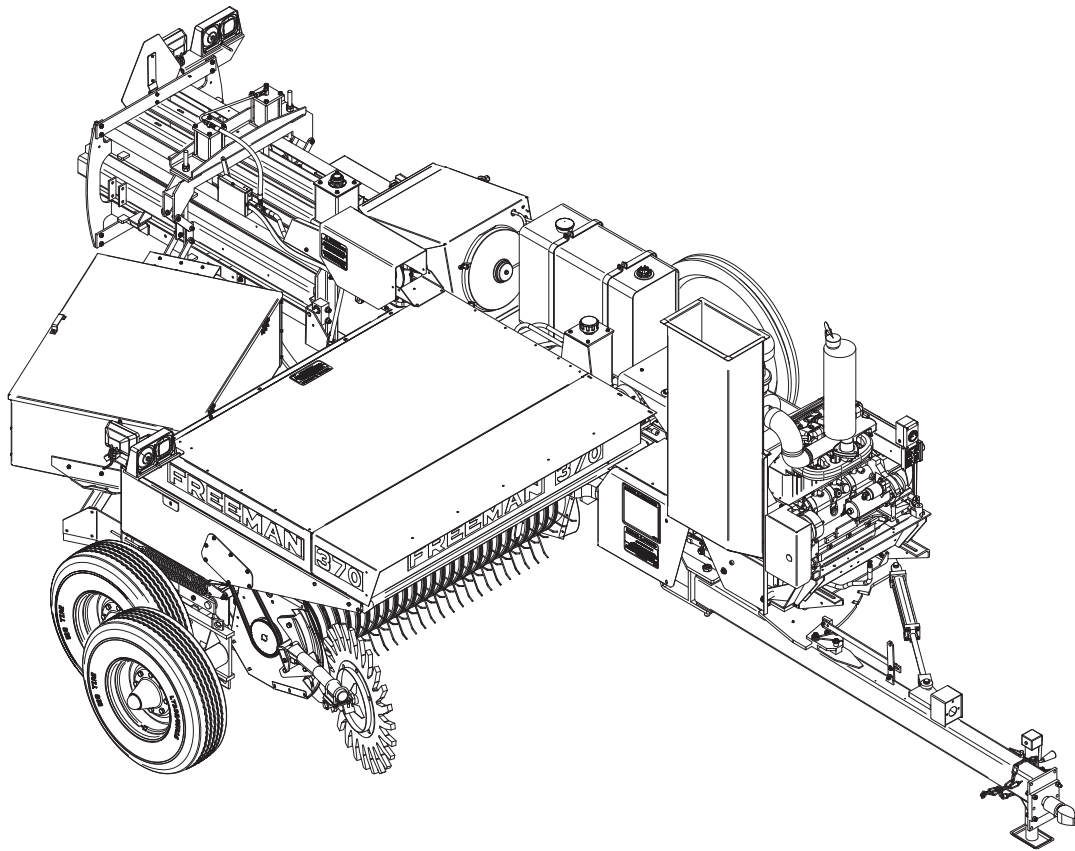
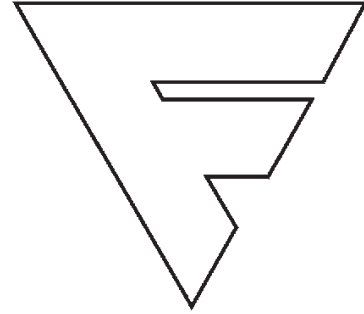


# FREEMAN

---



## 370/375 PARTS MANUAL

STARTING WITH S/N ASC-0370-651 AND ASC-0375-008

**PB03702009**

A Product of  
**Allied Systems**  
COMPANY  
Sherwood, Oregon USA

## SAFETY

Allied Systems Co. is concerned with safety. Freeman Equipment is furnished with safety features. Even with these safety features, personal injury can still occur if the operator is careless when operating or maintaining the machine. There are "CAUTION," "DANGER," and "BE CAREFUL" decals on the machine. Read and pay attention to the decals. Following is a list of precautions that should be taken to help prevent personal injury:

1. KEEP ALL SHIELDS IN PLACE.
2. SHUT OFF TRACTOR ENGINE BEFORE ADJUSTING, LUBRICATING, CLEANING OR SERVICING THE BALER.
3. WAIT FOR ALL MOVEMENT TO STOP BEFORE SERVICING BALER.
4. KEEP HANDS, FEET, AND CLOTHING AWAY FROM POWER DRIVEN PARTS.
5. KEEP ALL SHIELDS INSTALLED AND KEEP CLEAR OF THE P.T.O. DRIVE LINE.
6. KEEP ALL OTHERS OFF BALER.
7. USE APPROPRIATE SIGNS OR WARNING LIGHTS WHEN OPERATING ON HIGHWAYS.
8. MAKE CERTAIN EVERYONE IS CLEAR OF BALER BEFORE ENGAGING P.T.O.
9. DO NOT RIDE ON ANY PART OF THE BALER WHILE IN OPERATION.
10. KEEP HANDS AND FEET CLEAR OF PICKUP.
11. KEEP HANDS AWAY FROM KNOTTER WHEN BALER P.T.O. DRIVE IS ENGAGED.
12. PERIODICALLY CHECK ALL NUTS AND BOLTS FOR TIGHTNESS.
13. ALWAYS USE LIGHTS FOR NIGHT WORK.
14. AS A SAFETY PRECAUTION IT IS RECOMMENDED THAT AN "ABC" FIRE EXTINGUISHER BE CARRIED ON THE BALER AT ALL TIMES. IT IS ALSO RECOMMENDED TO CARRY A FOUR GALLON WATER CONTAINER WITH PUMP, OR AS REQUIRED BY LOCAL AND STATE LAW.
15. AVOID LOOSE CLOTHING WHICH CAN EASILY BE CAUGHT IN MOVING PARTS.
16. REMEMBER 'SAFETY' IS ONLY A WORD UNTIL IT IS PUT INTO PRACTICE.



**WARNING:** Some illustrations in this parts list show the baler without shields to allow for a better view of the area being addressed. The baler should never be operated with any of the safety shields removed.

---

## INTRODUCTION

### HOW TO USE THE MANUAL

This manual contains illustrations and parts lists of components and assemblies which make up the machine. Each page consists of the name of the assembly or component, a reference number, part number, part name and the quantities of the part used.

Assembly or component names help identify the illustration and parts list for each figure. This name also helps locate the general area of the machine where the assembly or component can be located.

Reference numbers shown in a column refers to the numbered parts in the illustration. This ties the part in the illustration to the part number and description in the parts list. Part numbers are used to identify individual parts or part assemblies

Part descriptions provide the name of the part, plus additional information such as dimensional specification and what parts are grouped together to form part assemblies, which helps you identify the parts.

Quantities listed for each illustration are only for that assembly or component and not the total used per machine.

Indent dots are used to indicate assemblies and sub-parts of assemblies. No dot indicates the major assembly. Part descriptions which are indented with dots are sub-parts of the major assembly shown above.

Parts pages will be revised as necessary to show the latest parts information. Revision information will be on the bottom of the page

This parts manual is not intended to be a complete guide for machine service or repairs. Contact your dealer for any of your service or technical requirements.

### UPDATING AND REORDERING MANUALS

The parts lists, illustrations and specifications in this manual are based on the latest information available at the time of publication. Your machine may have product improvement and options not yet contained in this manual.

A copy of this manual is supplied with each machine. Additional copies are available through you dealer. When ordering additional manuals, use the reorder number listed on the front cover and the quantity needed.

## BALER SERIAL NUMBER LOCATION AND PARTS ORDERING INFORMATION

Each Freeman Baler is identified by means of a baler model number and baler serial number. As a further identification, all power units are provided with a serial number. The serial number is an important piece of information about the machine and it may be necessary to know it before obtaining the correct replacement part. The serial number is located on the top chamber rail on the rear left-hand side, above the tool box. To ensure prompt, efficient service when ordering parts or requesting repairs from your authorized Freeman dealer, record the serial numbers in the spaces provided.

### Baler Serial Number

Rear, left side of baler on upper frame.

### Power Unit Serial Number

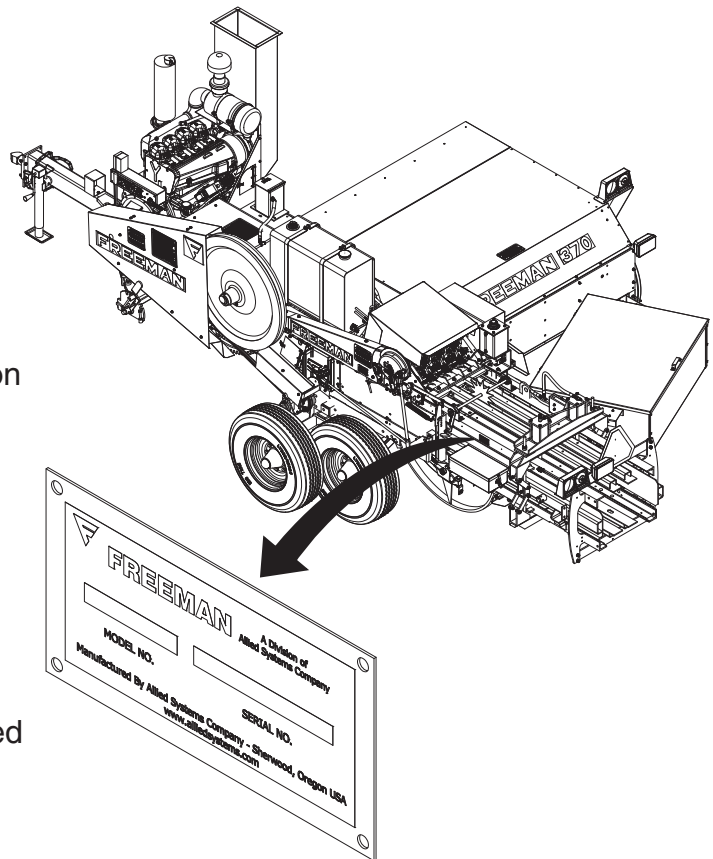
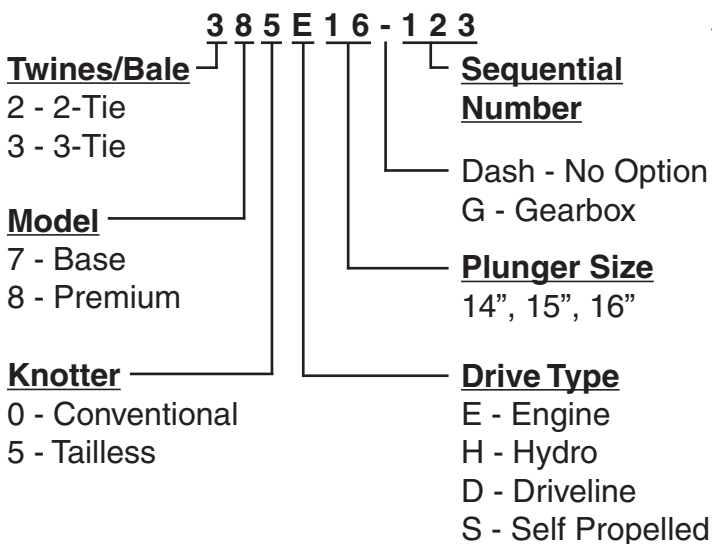
Deutz Diesel-forward side of engine on block.

P.T.O. 540 and 1000-top of gearbox.

Hydraulic P.T.O.-front of motor mount and pulley adjustment bracket.

NOTE: Reference to left-hand and right-hand used throughout the manual are understood to mean from a position facing in the direction of travel.

### Side Feed Baler Serial Number Format As Of 2011



SERIAL NUMBER PLATE LOCATED ON LEFT SIDE OF BALER ABOVE TOOL BOX.  
STARTING WITH S/N ASC-0370-651 AND ASC-0375-008

For any further information on parts, service or ordering, consult your local Freeman dealer.

---

 ALPHABETICAL INDEX

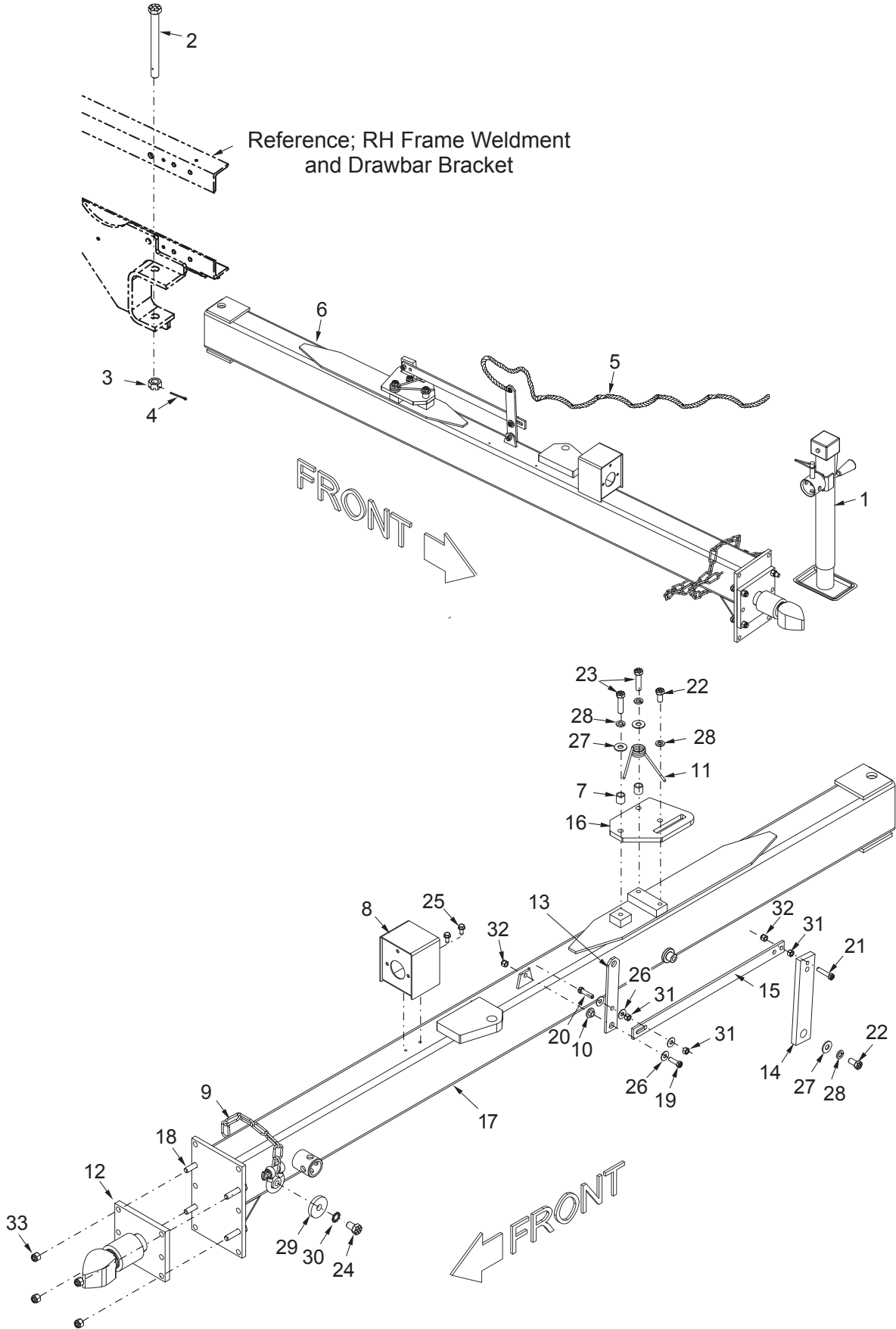
AIR CLEANER ASSEMBLY .....	31
AXLE AND TANDEM WHEEL PLATE ASSEMBLIES .....	229
BALE CHUTE INSTALLATION .....	221
BALE COUNTER .....	207
BALE COUNTER INSTALLATION .....	205
BALE WEIGHT INDICATOR ASSEMBLY .....	225
BALE WEIGHT INDICATOR INSTALLATION .....	223
BALER FRAME .....	231
BULLGEAR LUBER INSTALLATION .....	79
BULLGEAR LUBER MANIFOLD ASSEMBLY (ENGINE BALER) .....	77
BULLGEAR SHIELD ASSEMBLY .....	75
BULLGEAR SHIELD INSTALLATION .....	73
BULLGEAR SHIELD/OIL COOLER SHROUD ASSY .....	55
BULLGEAR TANK AND PUMP ASSEMBLY .....	81
BULLGEAR/PLUNGER INSTALLATION .....	95
BYPASS BOX ASSEMBLY .....	65
CHAMBER LINERS 16" .....	105
CHAMBER LINERS 16" TO 14" .....	113
CHAMBER LINERS 16" TO 15" .....	109
CLUTCH .....	43
CONNECTING ROD ASSEMBLY .....	103
CONTROL BOX (ENGINE BALER) .....	33
DRAW BAR ASSEMBLIES (ENGINE BALER) .....	1
DRAW BAR ASSEMBLIES (HYDRO BALER) .....	5
DRAW BAR CYLINDER INSTALLATION (HYDRO BALER) .....	7
DRAW BAR CYLINDER INSTALLATION (ENGINE BALER) .....	3
ELECTRIC PICKUP LIFT ASSEMBLY .....	161
ENGINE AIR COOLING SNORKEL .....	37
ENGINE COMPLETE, TIER 4 INTERIM .....	27
ENGINE INSTALLATION, TIER 4 INTERIM .....	23
EXTRA ITEMS .....	241
FEED ARM CONNECTING ROD ASSEMBLY .....	129
FEED ARM DRIVE INSTALLATION .....	127
FEED ARM PIVOT SHAFT ASSEMBLY .....	131
FEED ARM/CONNECTING ARM SHIELD .....	125
FEED FORK ASSEMBLY .....	135
FEEDER HOUSE ASSEMBLY .....	137
FEEDER HOUSE INSTALLATION .....	139
FEEDER HOUSE SHIELDS .....	143
FLYWHEEL BELT SHIELD (ENGINE BALER) .....	91
FLYWHEEL BELT SHIELD (HYDRO BALER) .....	93
FLYWHEEL INSTALLATION .....	87
FLYWHEEL SHIELD INSTALLATION (ENGINE BALER) .....	89
FRONT END ASSEMBLY .....	17
FRONT END INSTALLATION .....	13
FUEL TANK .....	21
FUEL TANK INSTALLATION .....	19
HAY DOGS .....	123
HAY SAVER WHEEL ASSEMBLY AND MOUNTS .....	157

## CONTENTS

HIGHWAY LIGHTS.....	235
HYDRAULIC PICKUP LIFT OPTION .....	159
HYDRAULIC PTO PUMP, MOTOR AND HOSES .....	47
HYDRAULIC PTO TANK .....	51
KNOTTER (370).....	177
KNOTTER (375).....	193
KNOTTER ASSEMBLY (370) .....	173
KNOTTER ASSEMBLY (375) .....	189
KNOTTER DRIVE INSTALLATION .....	199
KNOTTER DRIVE SHIELDS.....	201
KNOTTER FAN ASSEMBLY .....	203
KNOTTER INSTALLATION (370).....	163
KNOTTER INSTALLATION (375).....	183
KNOTTER LUBE TANK.....	167
KNOTTER SHAFT KIT (370).....	179
KNOTTER TRIP MOUNT ASSEMBLY (370).....	171
KNOTTER TRIP MOUNT ASSEMBLY (375).....	187
KNOTTER/DRIVE ARM SHIELD INSTALLATION (370/375).....	181
METER WHEEL ASSEMBLY (370/375).....	169
MODULE ASSEMBLY, AUTO SHUTDOWN.....	35
NEEDLES AND YOKE INSTALLATION (370) .....	209
NEEDLES AND YOKE INSTALLATION (375) .....	211
PICKUP ASSEMBLY.....	151
PICKUP AUGER CHAIN SHIELDING .....	149
PICKUP CHAIN DRIVE.....	155
PICKUP LIFT AND MOUNTING ASSEMBLIES.....	147
PINION SHAFT INSTALLATION .....	83
PINION SHAFT SUB ASSEMBLY .....	85
PLUNGER ASSEMBLY .....	99
POWER TAKE-OFF .....	45
SIDE PLATE RH AND LH WITH BEARINGS AND SHAFT .....	98
SIDE SUPPORT BRACKET ASSEMBLY.....	41
SNORKEL ASSEMBLY.....	39
SPINDLES, TIRES AND WHEELS .....	227
TENSION CONTROL DUAL 4" RAM .....	67
TENSION CONTROL PUMP ASSEMBLY .....	63
TENSION CONTROL RAM ASSEMBLIES OPTIONAL TANDEM.....	69
TENSION CONTROL SINGLE RAM .....	71
TENSIONING AND REAR MOUNTS.....	59
THROTTLE AND TENSION CONTROL BOX ASSEMBLY.....	11
THROTTLE/TENSION CONTROL BOX INSTALLATION .....	9
TOOL BOX.....	233
TOP PLATE INSTALLATION (370) .....	119
TOP PLATE INSTALLATION (375) .....	121
TWINE BOX 12 COMPARTMENT OPTIONAL .....	215
TWINE BOX INSTALLATION OPTIONAL.....	213
TWINE FINGER DRIVE ASSEMBLY (370) .....	165
TWINE FINGER DRIVE ASSEMBLY (375) .....	186
TWINE TENSIONER ASSEMBLY .....	219
TWINE TENSIONER FRAME SUB ASSEMBLY .....	217
WIRE LOOMS (ENGINE BALER) .....	237
WIRE LOOMS (HYDRO BALER) .....	239

INTENTIONALLY LEFT BLANK

## DRAW BAR ASSEMBLY (ENGINE BALER)

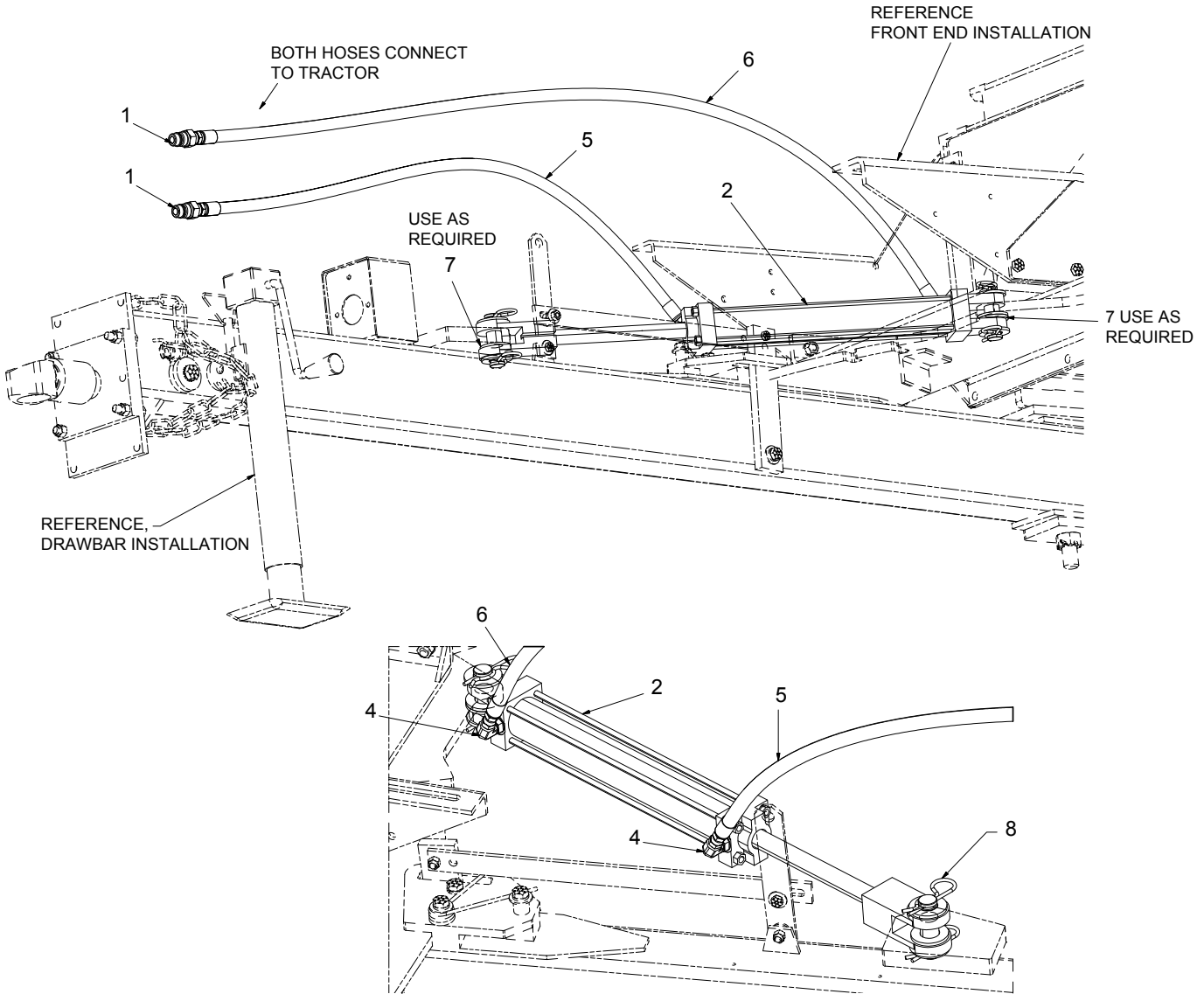




## DRAW BAR ASSEMBLY (ENGINE BALER)

REF NO.	PART NO.	DESCRIPTION	QTY. USED
	<b>903507</b>	<b>DRAW BAR INSTALLATION</b>	
1	JCK0178203	. JACK, 5000LB, SIDEWIND	1
	PIN0018402	. . LOCK PIN ASSEMBLY	1
2	PIN0018909	. TONGUE PIVOT PIN	1
3	NSL0001000	. NUT, CASTLE	1
4	212255	. COTTER PIN	1
5	ROP0000012	. SASH CORD, #12 PREMIUM	1
6	903505	. DRAW BAR SUBASSY, ENG	1
7	BSH0011985	. . BUSHING	2
8	BKT037159B	. . BRACKET	1
9	CHN0000370	. . CHAIN, SAFETY	1
10	F000000440	. . FERRULE	1
11	F000001891	. . SPRING, TORSION LATCH	1
12	HTH0021097	. . BALL HITCH	1
13	LEV0013885	. . BAR, LEVER	1
14	LTH0011229	. . BAR, LATCH	1
15	LTH0011231	. . BAR, LINK	1
16	PLT0011228	. . TONGUE LATCH PLATE	1
17	903506	. . DRAWBAR	1
18	221574W	. . CAPSCREW	4
19	221499W	. . CAPSCREW	1
20	Y17C-0624	. . CAPSCREW	1
21	R13801813	. . CAPSCREW	1
22	221560W	. . CAPSCREW	2
23	R13811077	. . CAPSCREW	2
24	Y18C-1016	. . CAPSCREW	1
25	SMS0000177	. . BOLT, WHIZ	2
26	223427	. . WASHER	4
27	239519	. . WASHER	3
28	234665	. . LOCKWASHER	4
29	WAS037158A	. . WASHER	1
30	WES0006250	. . STAR WASHER	1
32	221707W	. . NUT	3
33	237567	. . NUT	2

### DRAW BAR CYLINDER INSTALLATION (ENGINE BALER)



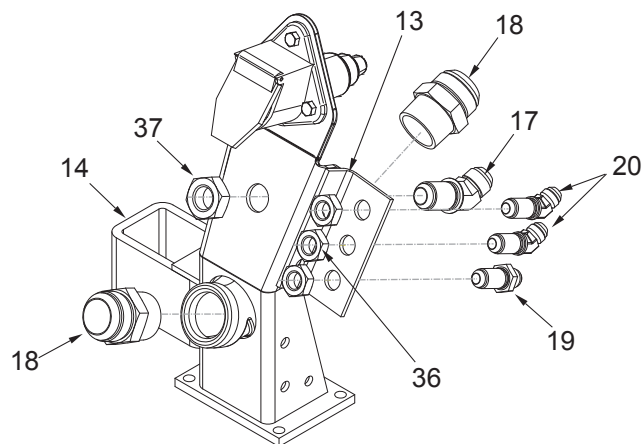
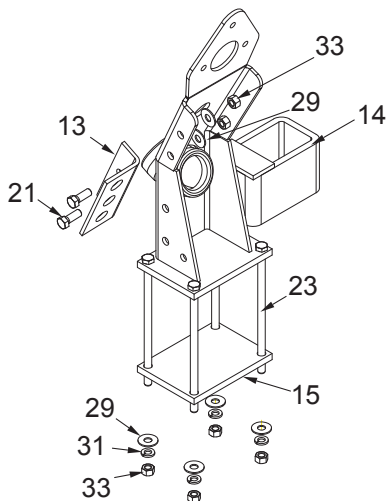
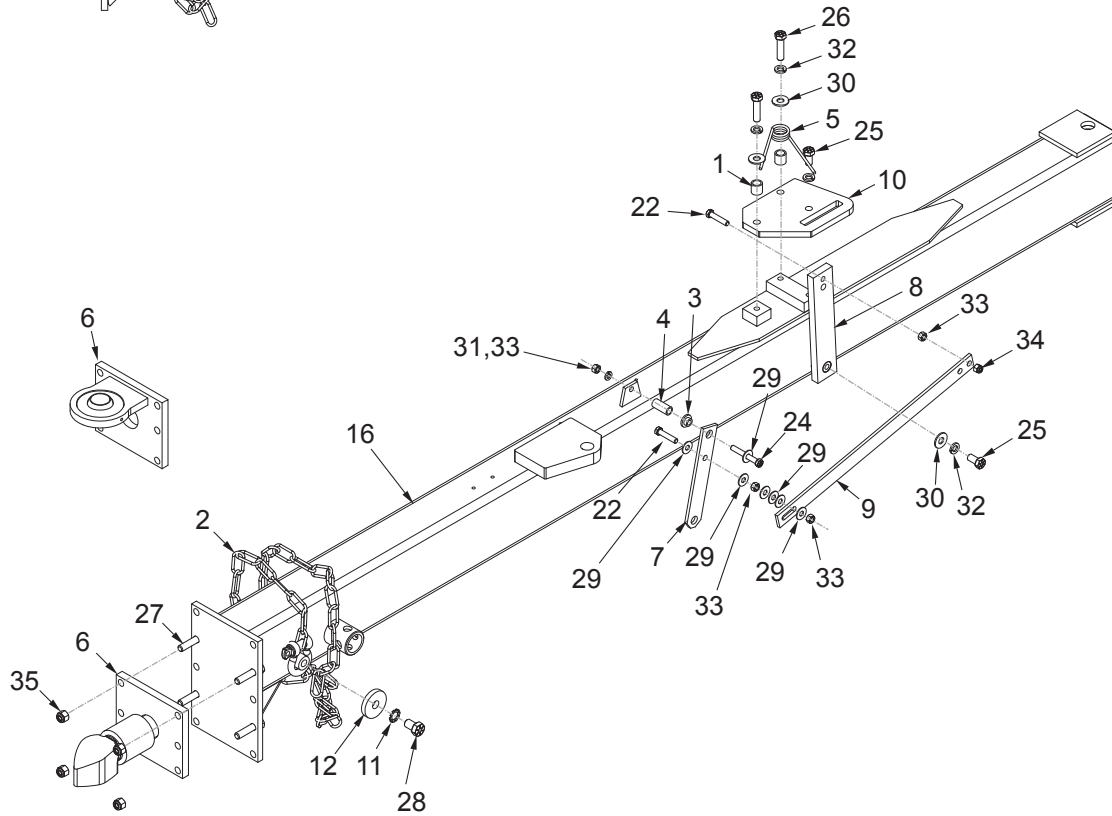
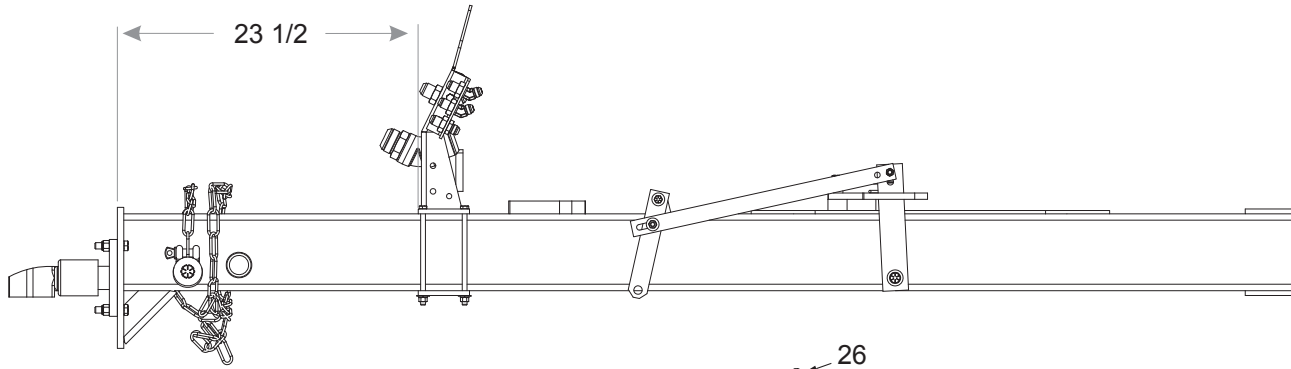
---

## DRAW BAR CYLINDER INSTALLATION (ENGINE BALER)

REF NO.	PART NO.	DESCRIPTION	QTY. USED
1	CPL0080104	COUPLER, MALE	2
2	CYL0009014	CYLINDER- HYDRAULIC	1
4	23945	FITTING	2
5	HOS0034364	HOSE ASSEMBLY	1
6	HOS0034365	HOSE ASSEMBLY	1
7	221780W	WASHER	AR
8	F000006511	COTTER PIN	5

AR - AS REQUIRED

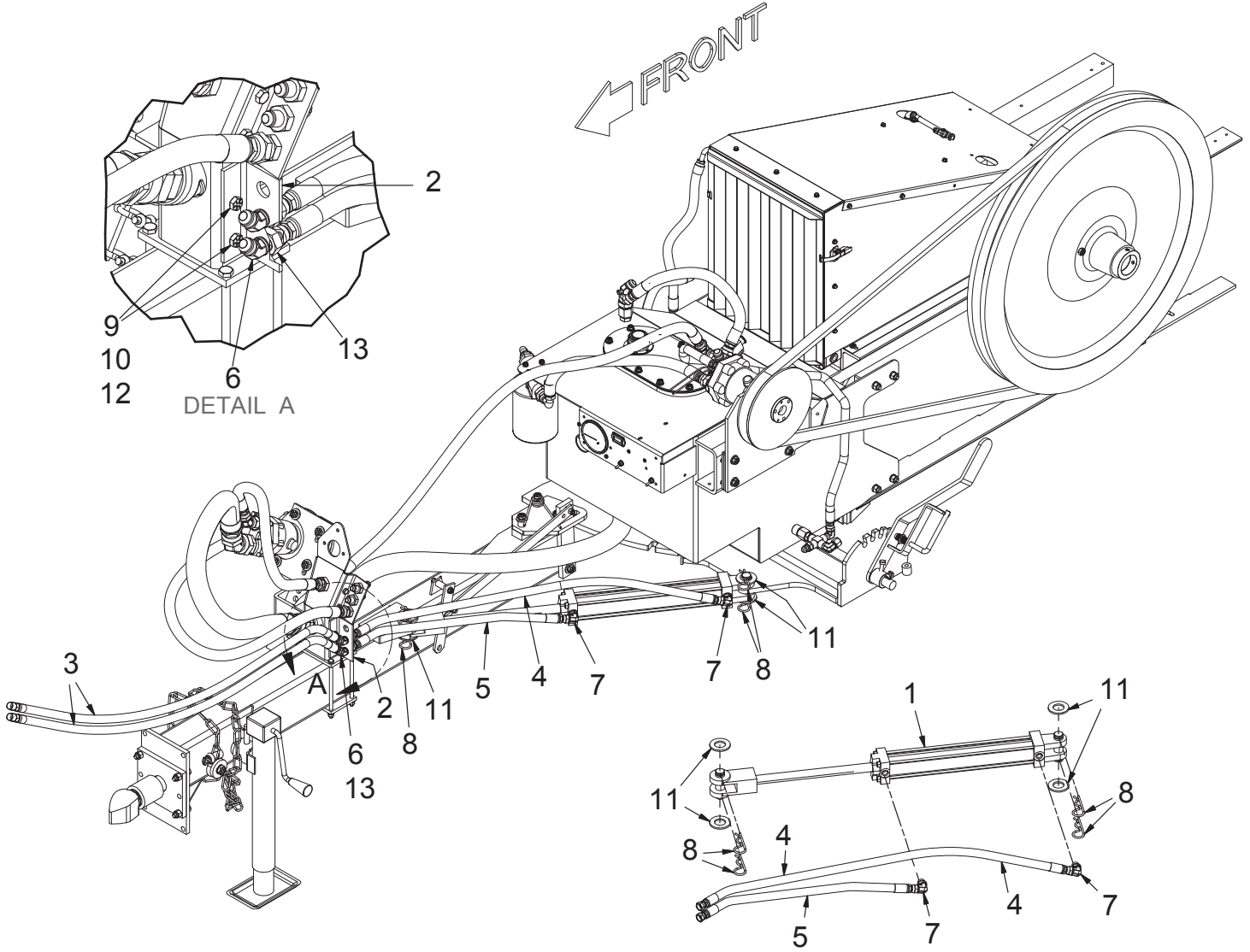
### DRAW BAR ASSEMBLY (HYDRO BALER)



## DRAW BAR ASSEMBLY (HYDRO BALER)

REF NO.	PART NO.	DESCRIPTION	QTY. USED
	<b>903540</b>	<b>DRAW BAR ASSEMBLY</b>	
1	BSH0011985	. BUSHING	2
2	CHN0000370	. CHAIN, SAFETY	1
3	F00000440	. FERRULE	1
4	F00000993	. PIPE	1
5	F000001891	. TORSION LATCH SPRING	1
6	HTH0021097	. BALL HITCH	1
	HTH0006675	HITCH HYDRO PTO (OPTIONAL)	
7	LEV0013885	. BAR, LEVER	1
8	LTH0011229	. BAR, LATCH	1
9	LTH0011231	. BAR, LINK	1
10	PLT0011228	. TONGUE LATCH PLATE	1
11	WES0006250	. WASHER	1
12	WAS037158A	. WASHER	1
13	901736	. PLATE, MOUNTING	1
14	901758	. SUPPORT, HYD LINE	1
15	901760	. PLATE, MOUNTING	1
16	903506	. DRAWBAR	1
17	17707	. FITTING	1
18	209763	. FITTING	2
19	215203	. FITTING	1
20	059-0042	. FITTING	2
21	Y17C-0616	. CAPSCREW	2
22	R13801813	. CAPSCREW	2
23	234697	. CAPSCREW	4
24	R13811042	. CAPSCREW	1
25	221560W	. CAPSCREW	2
26	R13811077	. CAPSCREW	2
27	221574W	. CAPSCREW	4
28	Y18C-1016	. CAPSCREW	1
29	223427	. WASHER	14
30	239519	. WASHER	3
31	234135	. WASHER	5
32	234665	. WASHER	4
33	221707W	. NUT	10
34	224118	. NUT	1
35	223587	. NUT	4
36	HYD5924040	. NUT, BULKHEAD	3
37	HYD5924060	. NUT, BULKHEAD	1

**DRAW BAR CYLINDER INSTALLATION (HYDRO BALER)**

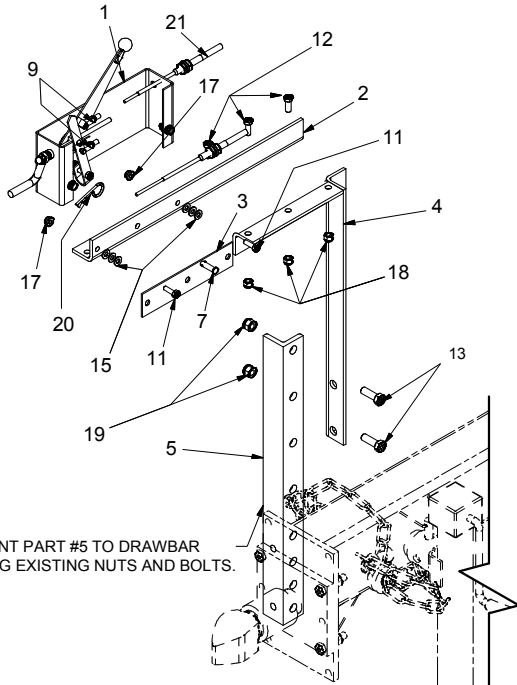


---

**DRAW BAR CYLINDER INSTALLATION (HYDRO BALER)**

REF NO.	PART NO.	DESCRIPTION	QTY. USED
	<b>903540</b>	<b>DRAW BAR ASSEMBLY</b>	
1	CYL0009014	CYLINDER- HYDRAULIC	1
2	901736	. CHAIN, SAFETY	1
3	253425	. FERRULE	2
4	230697	. PIPE	1
5	225005	. SPRING, TORSION LATCH	1
6	059-0042	. BALL HITCH	2
7	209488	. BAR, LEVER	2
8	F000006511	. BAR, LATCH	4
9	Y17C-0616	. BAR, LINK	2
10	234135	. WASHER, LOCK	2
11	15137W	. WASHER	4
12	R13809551	. WASHER	2
13	247008	. PLATE, MOUNTING	2

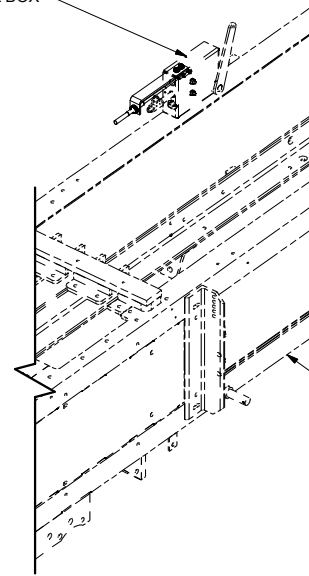
## THROTTLE/TENSION CONTROL BOX INSTALLATION



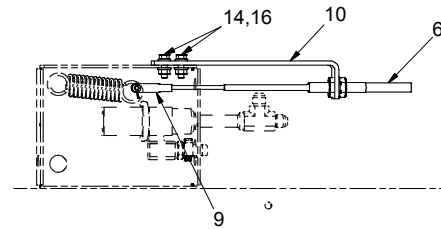
MOUNT PART #5 TO DRAWBAR  
USING EXISTING NUTS AND BOLTS.

FRONT CONTROL BOX  
SHOWN W/O COVER

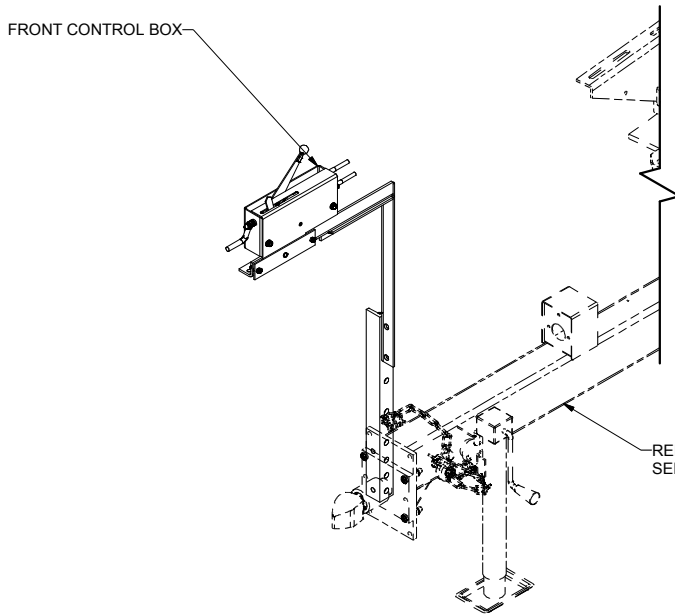
TENSION CONTROL BOX  
See Page 65



REFERENCE  
SEE PART #FRM037192E



TENSION CONTROL BOX



REFERENCE  
SEE PART #902545

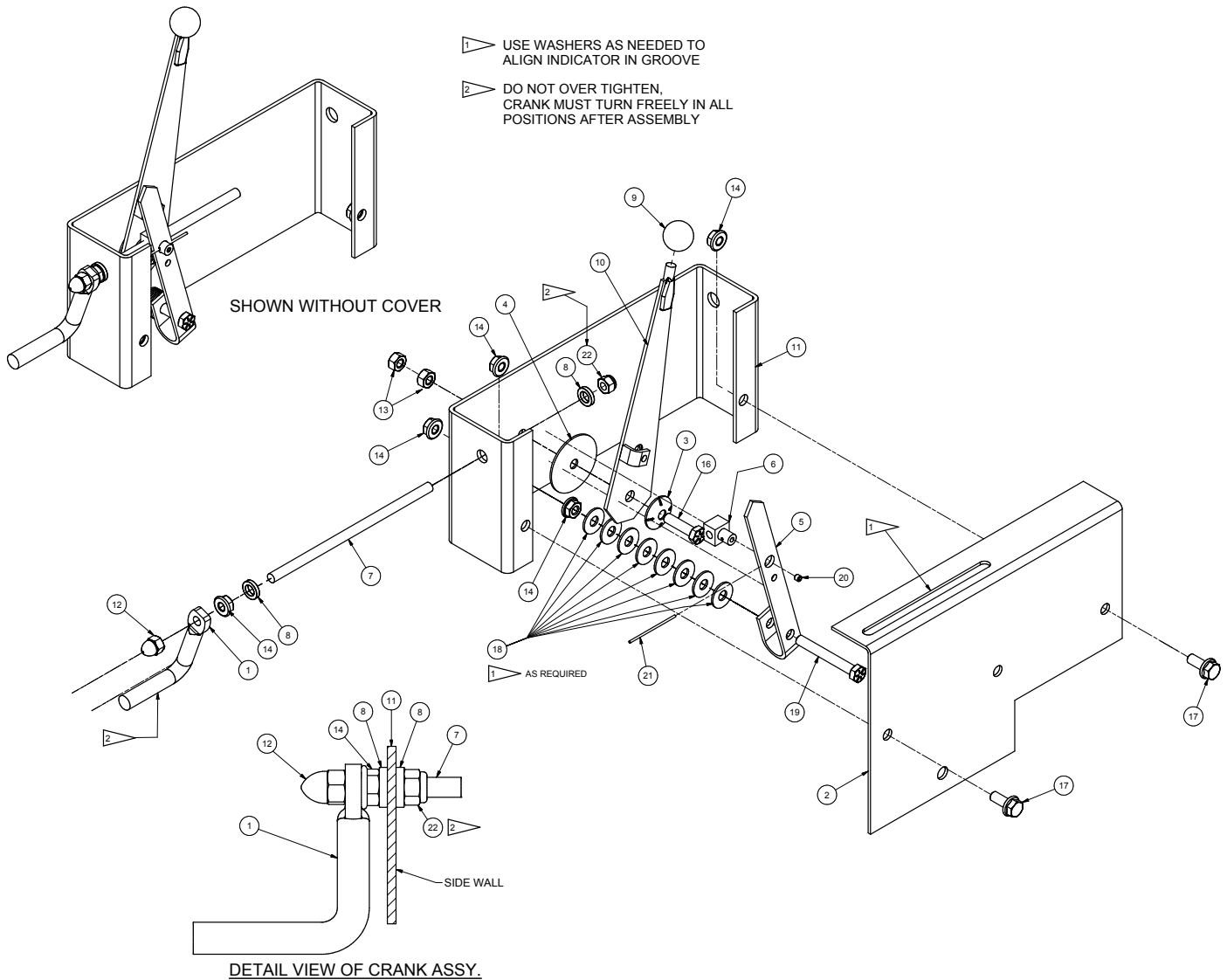


---

## THROTTLE/TENSION CONTROL BOX INSTALLATION

REF NO.	PART NO.	DESCRIPTION	QTY. USED
	<b>902828</b>	<b>THROTTLE/TENSION CONTROL BOX</b>	
1	SALPT00023	. CONTROL BOX ASSEMBLY	1
2	STN0004937	. PLATE, MOUNTING	1
3	F000001018	. PLATE, MOUNTING	1
4	STN0004941	. STAND, TENSION CONTROL	1
5	STN0004939	. BRACKET, CONTROL BOX STAND	1
6	CBL1743324	. CABLE, TENSION 324"	1
7	F000001020	. PIN, CLEVIS	1
8	F000001019	. COTTER PIN	1
9	CLV0125001	. CLEVIS	4
10	BKT0024669	. BRACKET, REAR	1
11	R13811014	. CAPSCREW	2
12	Y17C-0616	. CAPSCREW	1
13	200454W	. CAPSCREW	2
14	39741W	. SCREW	2
15	223428	. WASHER	6
16	09416918	. NUT	2
17	00273802	. NUT	2
18	237567	. NUT	3
19	223587	. NUT	2
20	F000001019	. COTTER PIN	1
21	CBL1743180	. CABLE, THROTTLE 180"	1

# THROTTLE AND TENSION CONTROL BOX ASSEMBLY



Item	Part No.	Qty	Description	Item	Part No.	Qty	Description
<b>SALPT00023 Control Box Assembly</b>							
1	CRA0018809	1	. Rod, Crank	14	00273802	5	. Nut, Serrated
2	CVR0024670	1	. Control Box Cover	16	R13811015	1	. Capscrew
3	F000001002	1	. Conical Washer	17	SMS0000184	2	. Screw, Ser Flg
4	F000001003	1	. Disc, Friction	18	R13802621	8	. Flat Washer
5	F000001004	1	. Bar, Indicator	19	R13811020	1	. Capscrew
6	F000001005	1	. Adjusting Stud Nut	20	STS1032251	1	. Set Screw
7	F000001006	1	. Rod	21	WIR0150072	1	. Wire
8	905968	2	. Washer, Brass	22	223588	1	. Nut, Esna
9	F000005554	1	. Knob				
10	LEV0023762	1	. Lever, Throttle				
11	MNT0024671	1	. Plate, Control Box				
12	NCA0003125	1	. Nut, Acorn				
13	R13811512	2	. Hex Nut				

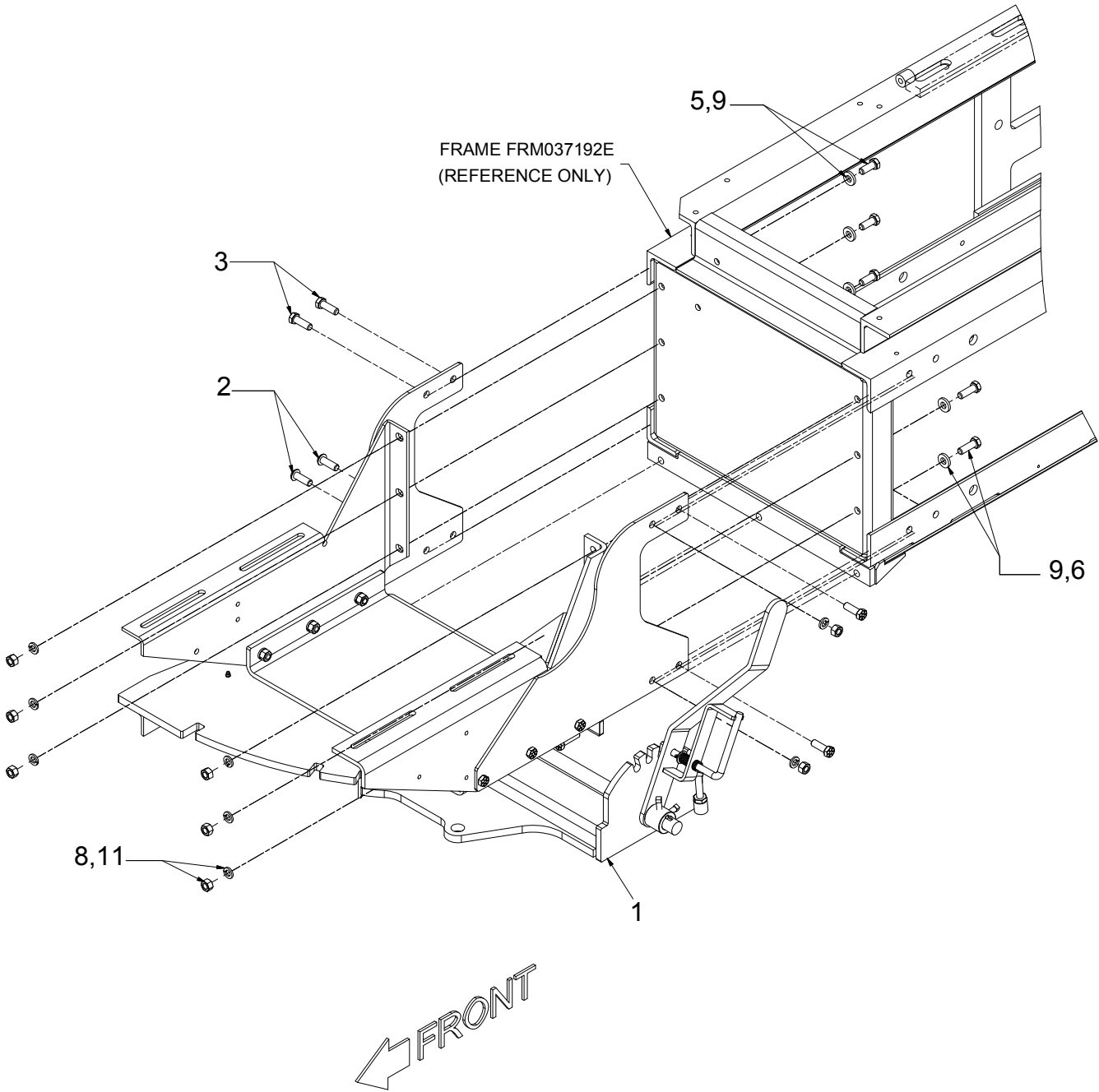
Rev E

---

INTENTIONALLY LEFT BLANK

# FRONT END INSTALLATION

(1 OF 3)



---

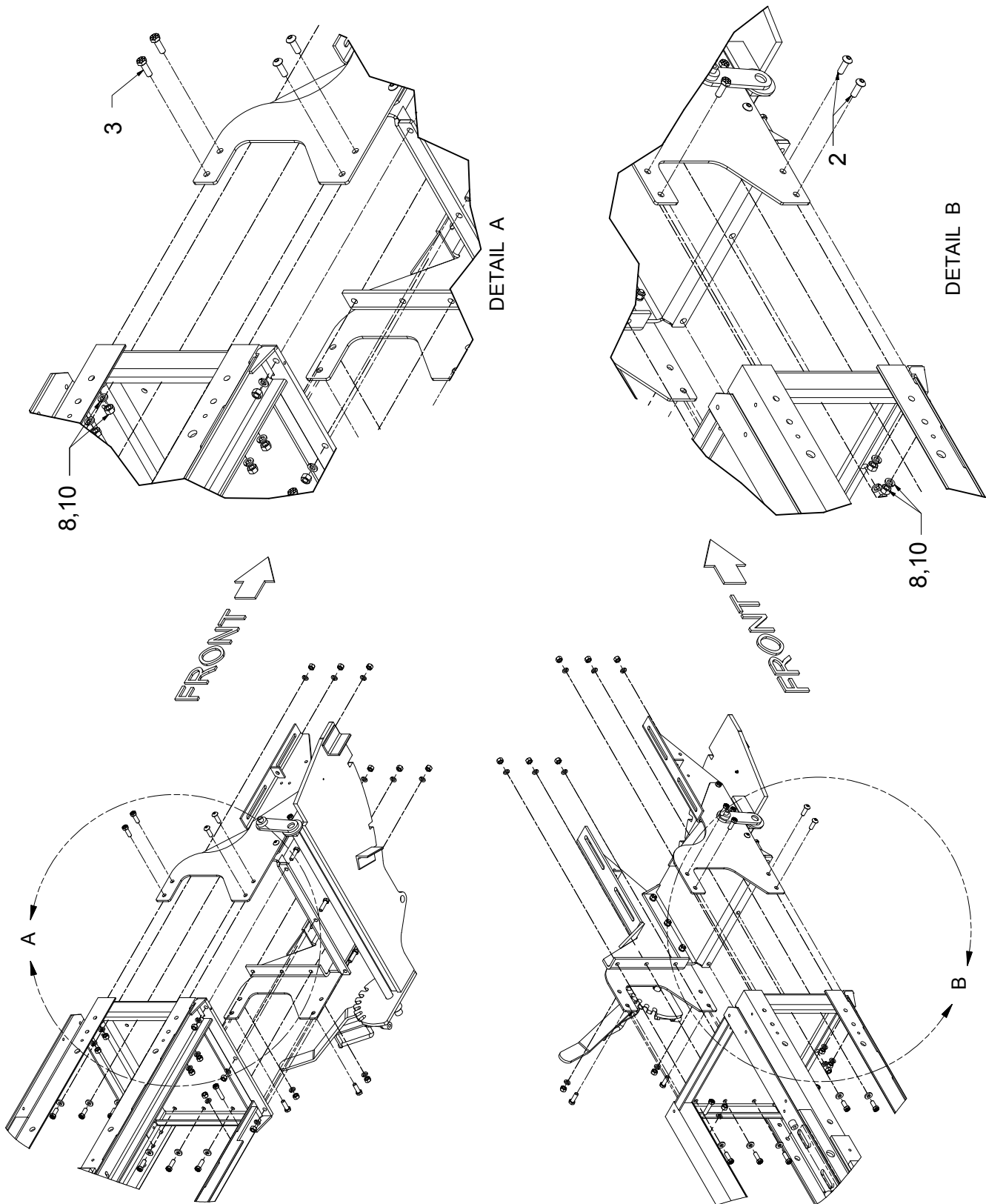
**FRONT END INSTALLATION**

<b>REF NO.</b>	<b>PART NO.</b>	<b>DESCRIPTION</b>	<b>QTY. USED</b>
1 *	903512	FRONT END ASSEMBLY	1
2	Y25G-0824	CAPSCREW	2
3	200454W	CAPSCREW	4
4	221574W	CAPSCREW	4
5	Y18C-0820	CAPSCREW	3
6	234176	CAPSCREW	3
7	R13806345	CAPSCREW	3
8	R13812516	LOCKWASHER	17
9	221771W	WASHER	6
10	221711W	NUT	8
11	221712W	NUT	9

\* SEE PAGE 13

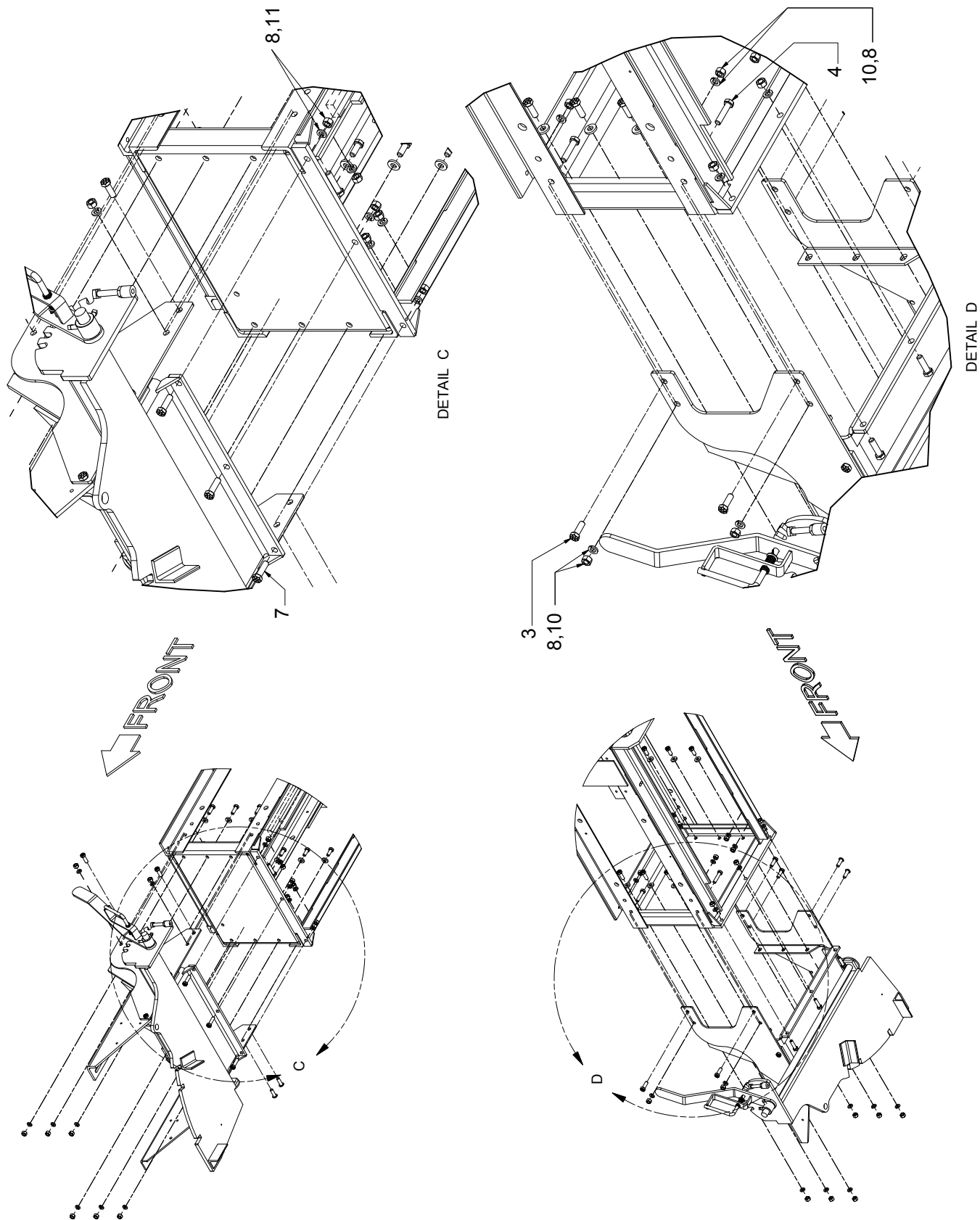
# FRONT END INSTALLATION

(2 OF 3)

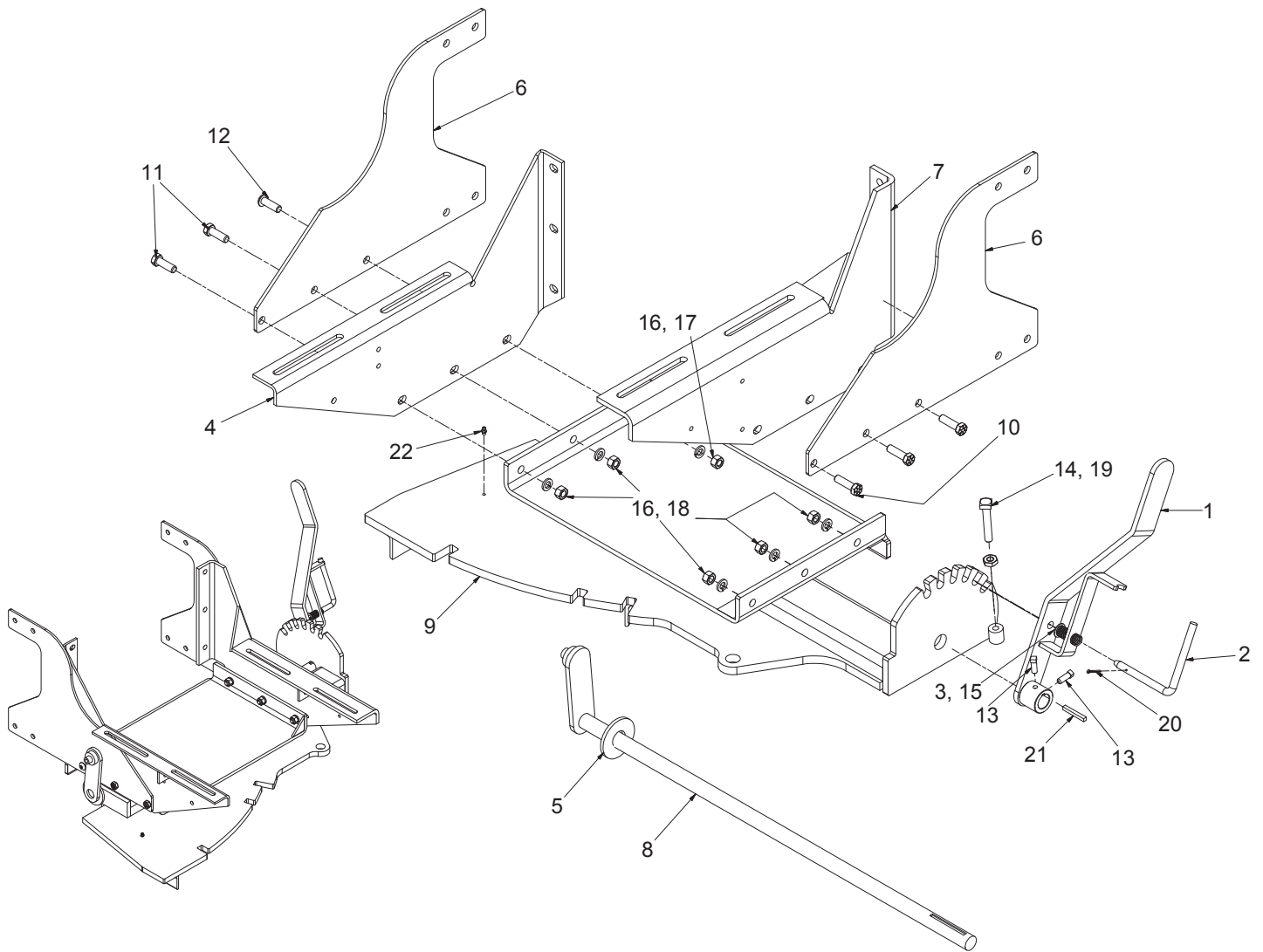


# FRONT END INSTALLATION

(3 OF 3)



**FRONT END ASSEMBLY**



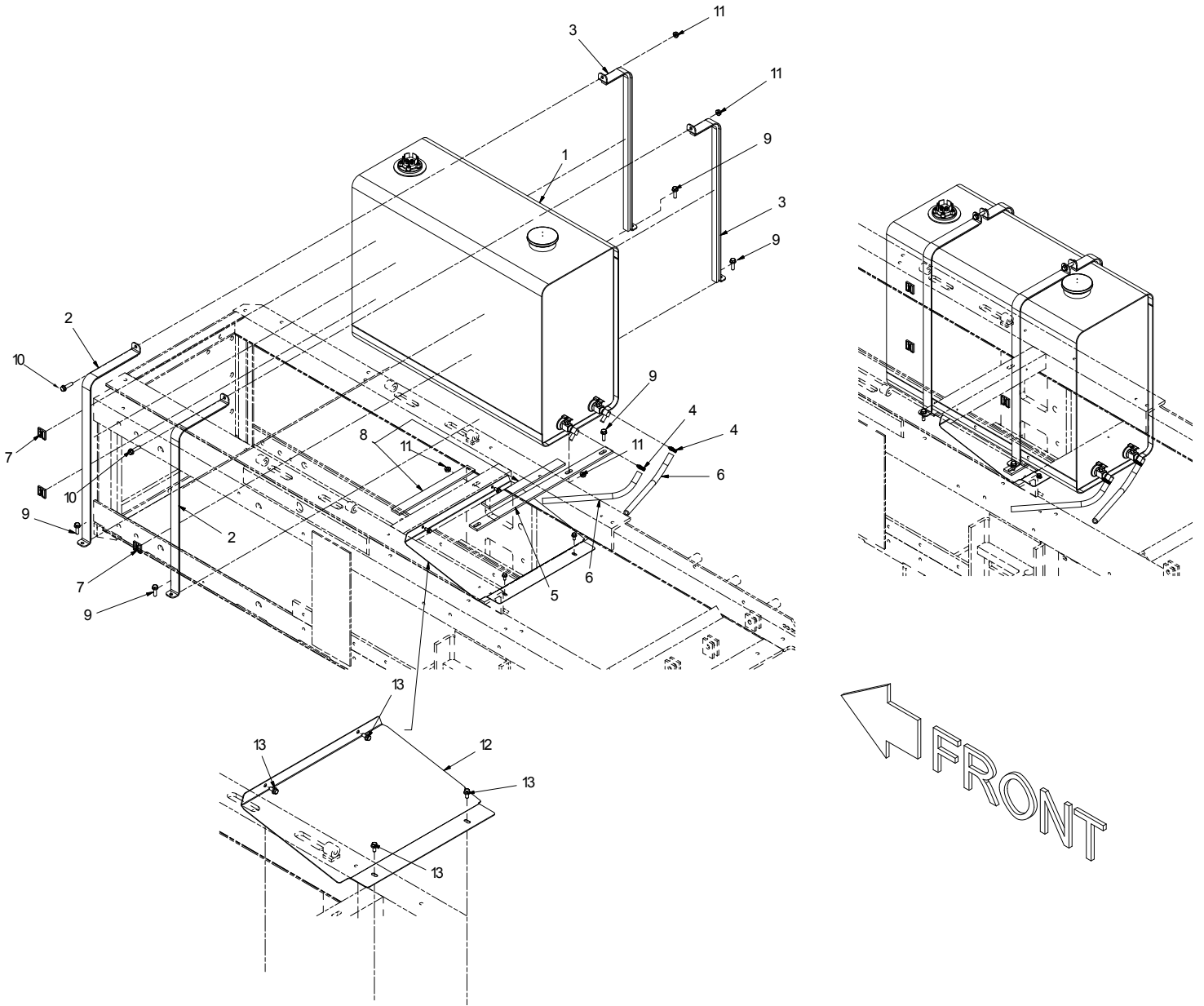


---

**FRONT END ASSEMBLY**

REF NO.	PART NO.	DESCRIPTION	QTY. USED
1	F000007539	LEVER	1
2	F000007540	PIN, ADJUSTING	1
3	F000007541	SPRING, COMPRESSION	1
4	F000007799	MOUNTING, RH	1
5	F000008247	WASHER	1
6	GUS0024467	PLATE, SUPPORT GUSSET	2
7	MNT0023153	ENGINE MNT, LH	1
8	PLF0026952	LEVER	1
9	903511	BASE, HITCH	1
10	R13806345	CAPSCREW	3
11	234176	CAPSCREW	2
12	Y25G-0824	CAPSCREW	1
13	SQS3751250	SET SCREW	2
14	SQS5003000	SET SCREW	1
15	223634	WASHER	1
16	R13812516	WASHER	6
17	221711W	NUT	1
18	221712W	NUT	5
19	234218	NUT	1
20	00103385	COTTER PIN	1
21	48688	KEY	1
22	11079	FITTING, LUBE	1

**FUEL TANK INSTALLATION**



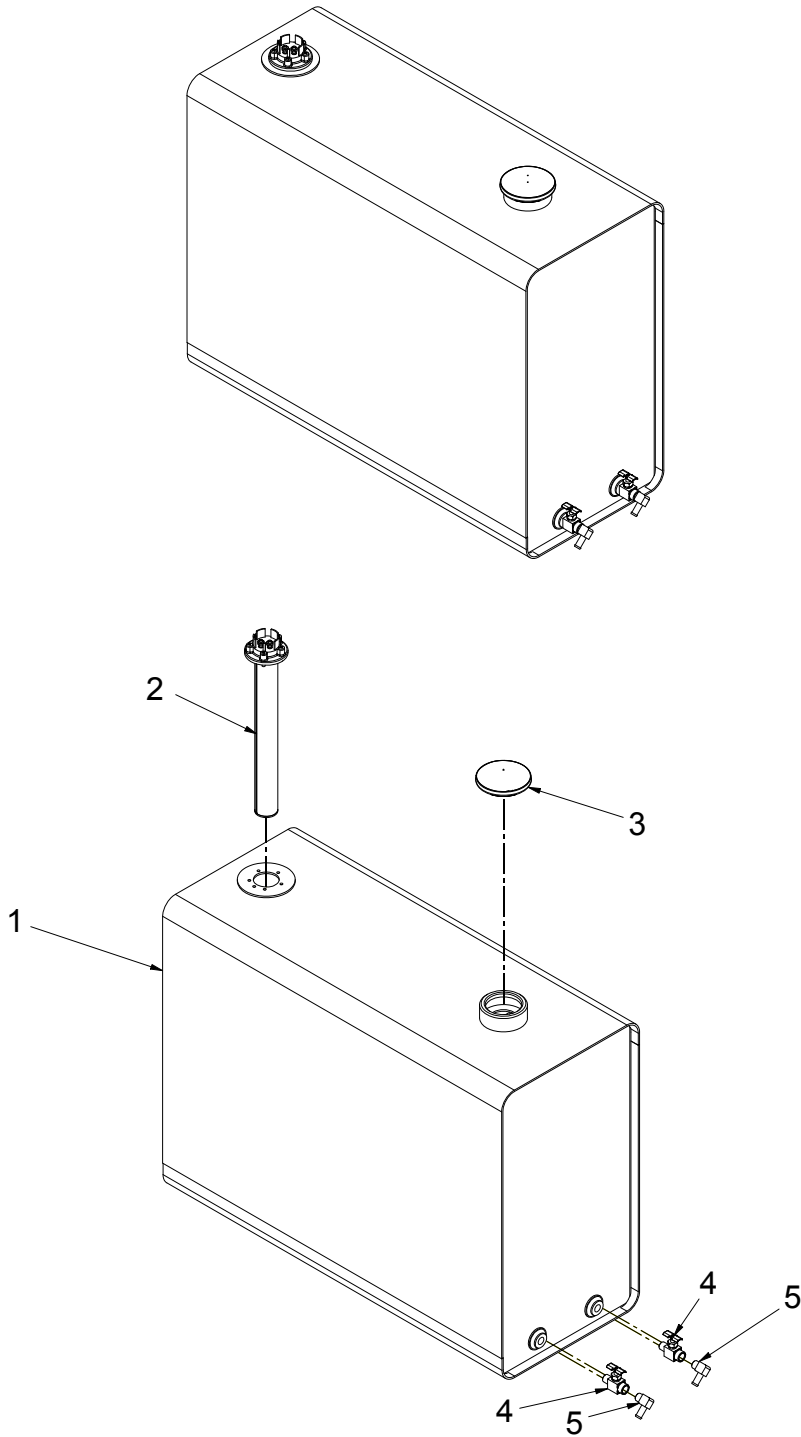
---

## FUEL TANK INSTALLATION

REF NO.	PART NO.	DESCRIPTION	QTY. USED
1 *	903326	TANK SUB ASSEMBLY, FUEL 30 GAL	1
2	902918	STRAP, LH 30 GAL	2
3	902919	STRAP, RH 30 GAL	2
4	F000008301	CLAMPS, MINI WORM DRIVE	2
5	MNT032033	BAR, MOUNTING	1
6	902165	HOSE, FUEL	2
7	220949	MOUNT, ADHESIVE BACK	3
8	WEA0005650	WEATHER STRIP	2FT
9	SMS0000177	BOLT	5
10	SMS0000815	BOLT	2
11	00273802	NUT	4
12	903113	PLATE, SHIELD	1
13	221872	SET SCREW	4

\* SEE PAGE 17

**FUEL TANK ASSEMBLY**



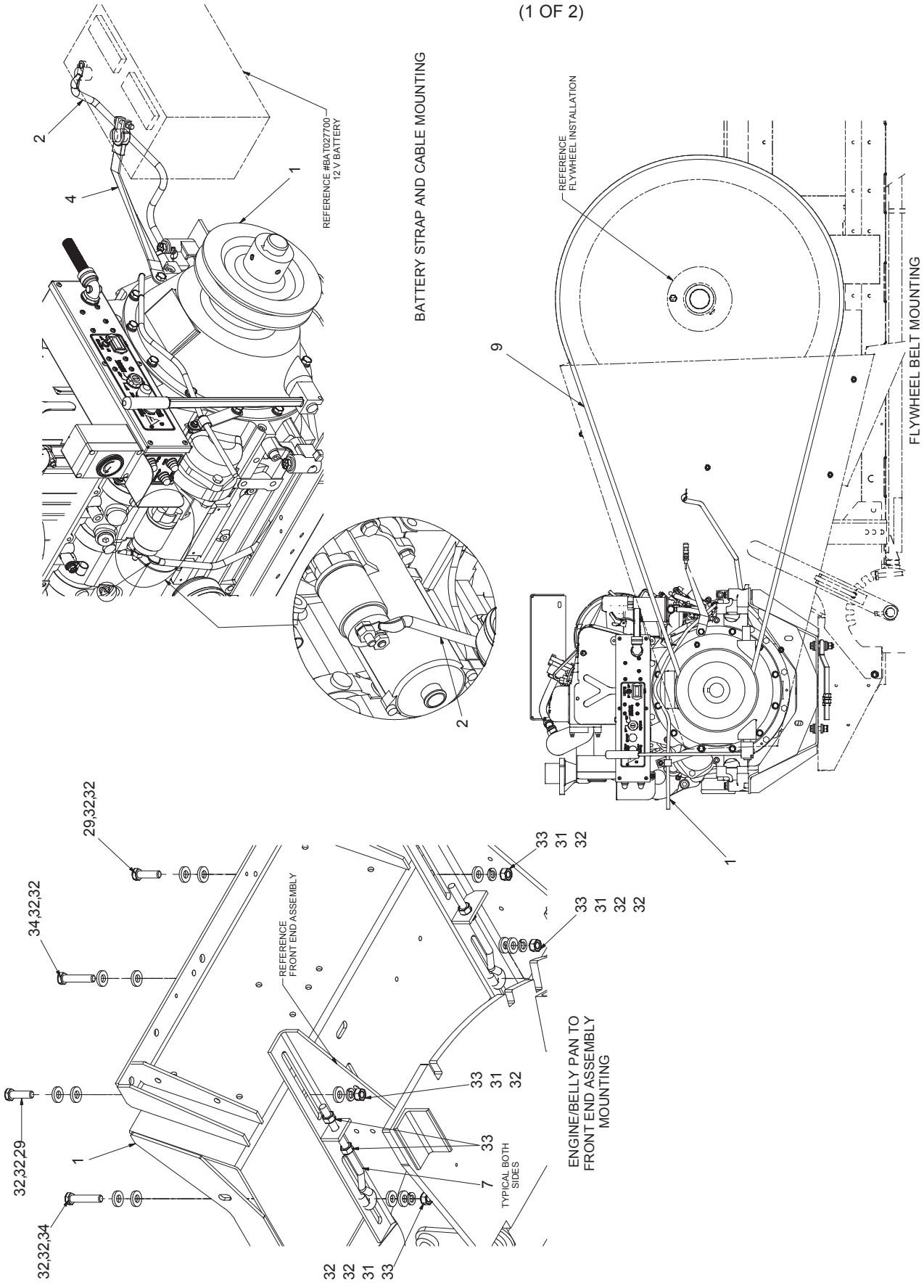
---

## FUEL TANK ASSEMBLY

REF NO.	PART NO.	DESCRIPTION	QTY. USED
1	903326	TANK, FUEL 30 GALLON	1
2	SDR0RA9320	SENDER, FLUID LEVEL	1
3	F00001689	CAP, FUEL TANK	1
4	F000008189	VALVE, SHUT-OFF	2
5	HYD0001571	FITTING	2

# ENGINE INSTALLATION, TIER 4 INTERIM

(1 OF 2)



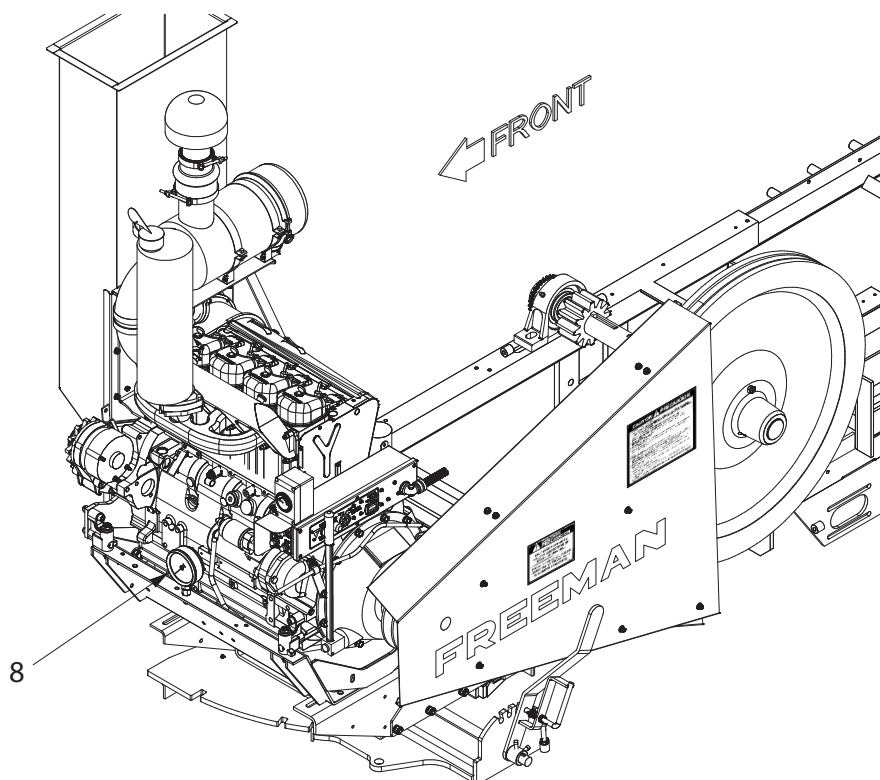
## ENGINE INSTALLATION, TIER 4 INTERIM

(REPLACES TIER 3 ENGINE INSTALLATION EFFECTIVE FEBRUARY 2012)

REF NO.	PART NO.	DESCRIPTION	QTY. USED	REF NO.	PART NO.	DESCRIPTION	QTY. USED
	<b>906189</b>	<b>ENGINE INSTALLATION</b>		<b>17</b>	255118	REDUCER, INSERT	1
1 *	906188	ENGINE, COMPLETE	1	<b>18</b>	255120	REDUCER, HUMP HOSE	1
2	CBL0000126	BATTERY CABLE	1	<b>19</b>	00273802	NUT	4
3	252293	MUFFLER	1	<b>20</b>	SMS0000184	BOLT	4
4	F000007742	BATTERY GROUND STRAP 12 VOLT	1	<b>21</b>	902789	PLATE, MOUNTING	1
5	CLP0035751	CLAMP, EXHAUST	1	<b>23</b>	252742	PRECLEANER	1
6	EXH0011007	CAP, EXHAUST	1	<b>24</b>	ACL0000004	INDICATOR	1
7	F000007010	ADJUSTING BOLT, ENGINE	2	<b>26</b>	902904	TUBE, SPACER	1
8	253403	GAUGE, TENSION CONTROLLED	1	<b>27</b>	902909	ELBOW	1
9	F000007000	BELT, DRIVE	1	<b>28</b>	902913	TUBE	1
10**	254896	AIR CLEANER ASSEMBLY	1	<b>29</b>	221574W	CAPSCREW	4
11	ACL0004307	BAND, MOUNTING	2	<b>31</b>	234665	WASHER	4
12	207146	CLAMP, T-BOLT	3	<b>32</b>	221771W	WASHER	4
13	207147	CLAMP, T-BOLT	1	<b>33</b>	221711W	NUT	8
14	225370	CLAMP, T-BOLT	2	<b>34</b>	221576W	CAPSCREW	2
15	ACL0000005	INSERT, RUBBER	1	<b>35</b>	HYD5275032	FITTING	1
16	4200115	ELBOW, RUBBER	1				

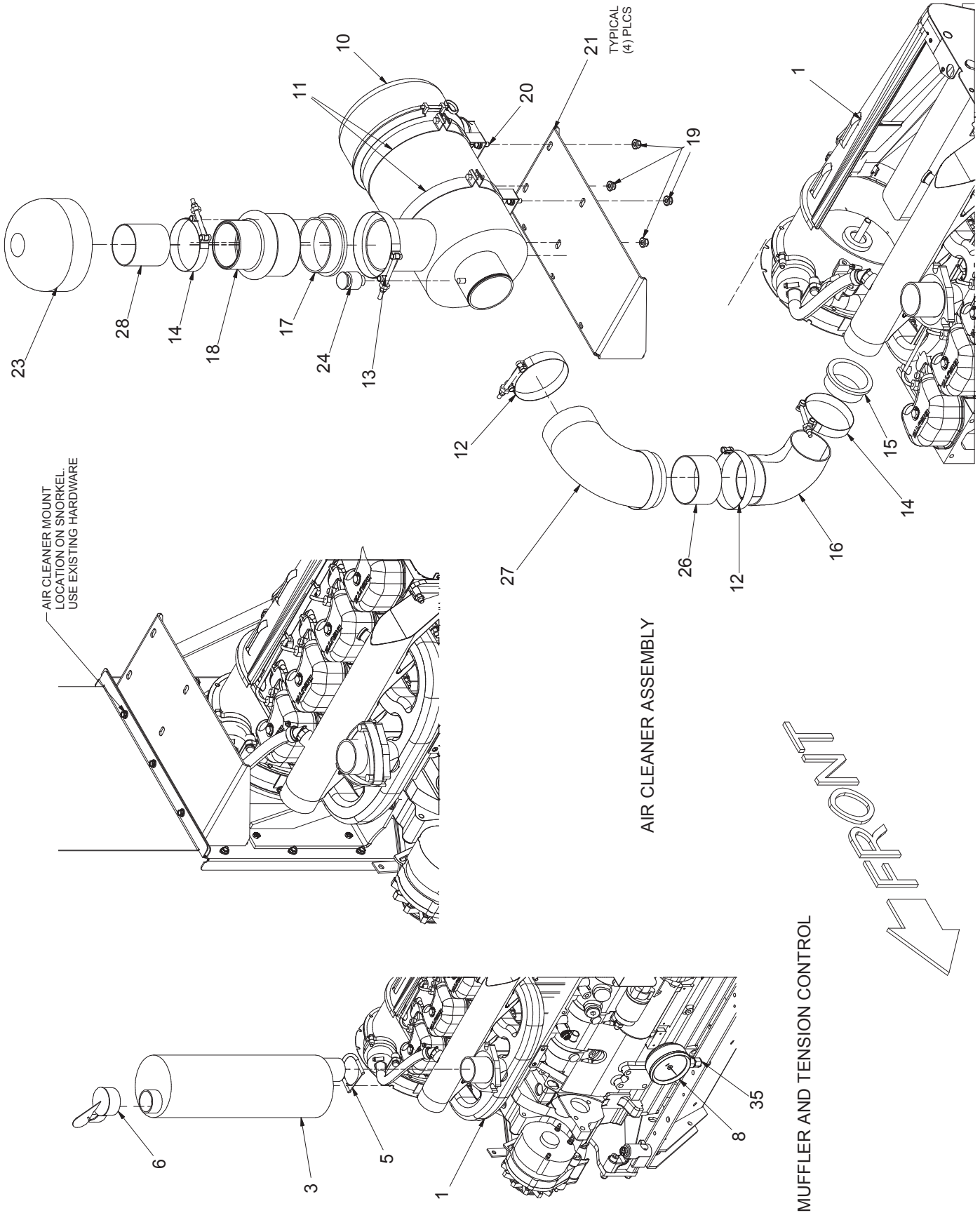
\* SEE PAGE 28

\*\* SEE PAGE 32



# ENGINE INSTALLATION, TIER 4 INTERIM

(2 OF 2)



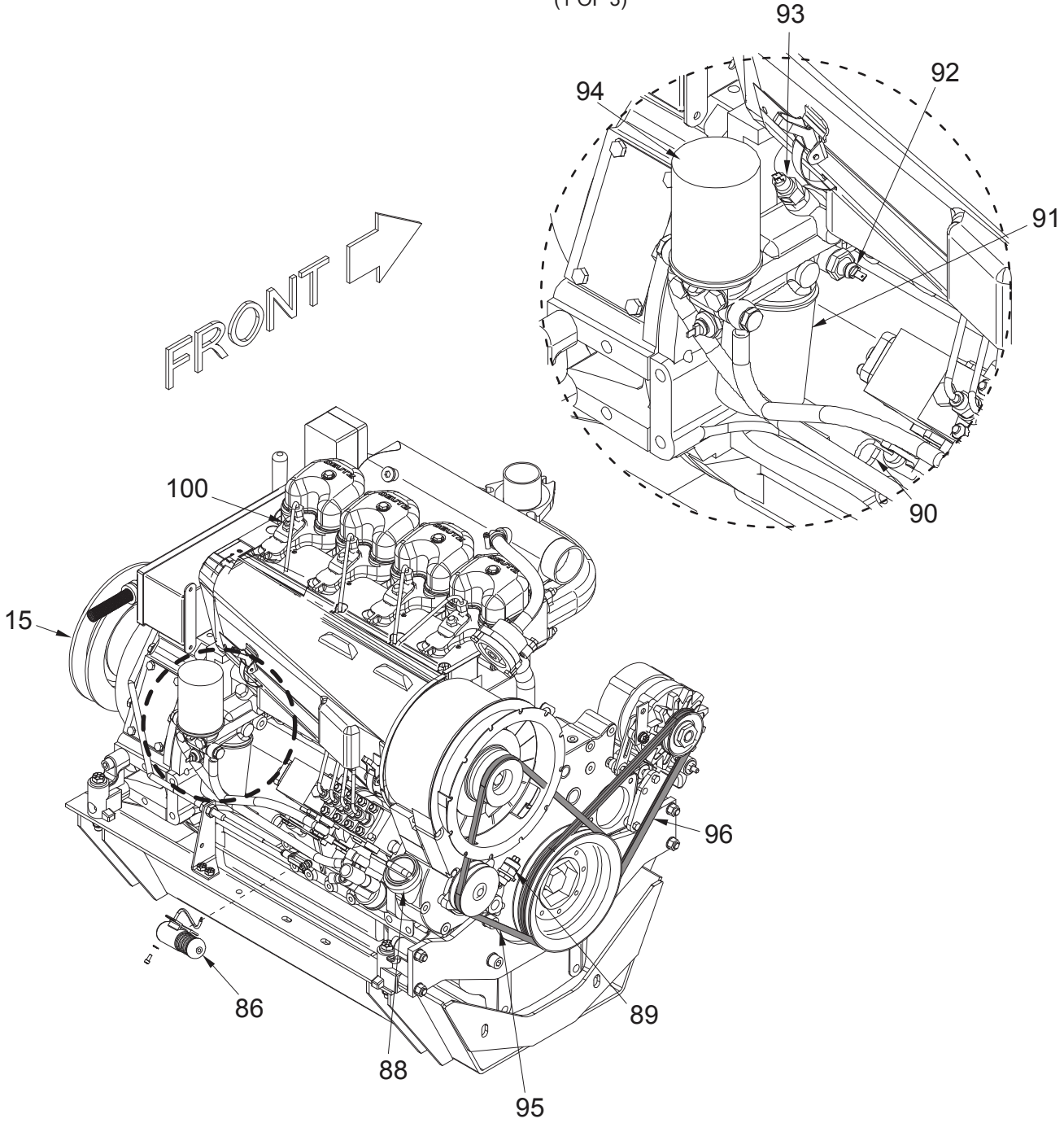


---

INTENTIONALLY LEFT BLANK

**ENGINE, COMPLETE, TIER 4 INTERIM**

(1 OF 3)



**ENGINE, COMPLETE, TIER 4 INTERIM \*\*\***  
(REPLACES TIER 3 ENGINE, COMPLETE EFFECTIVE FEBRUARY 2012)

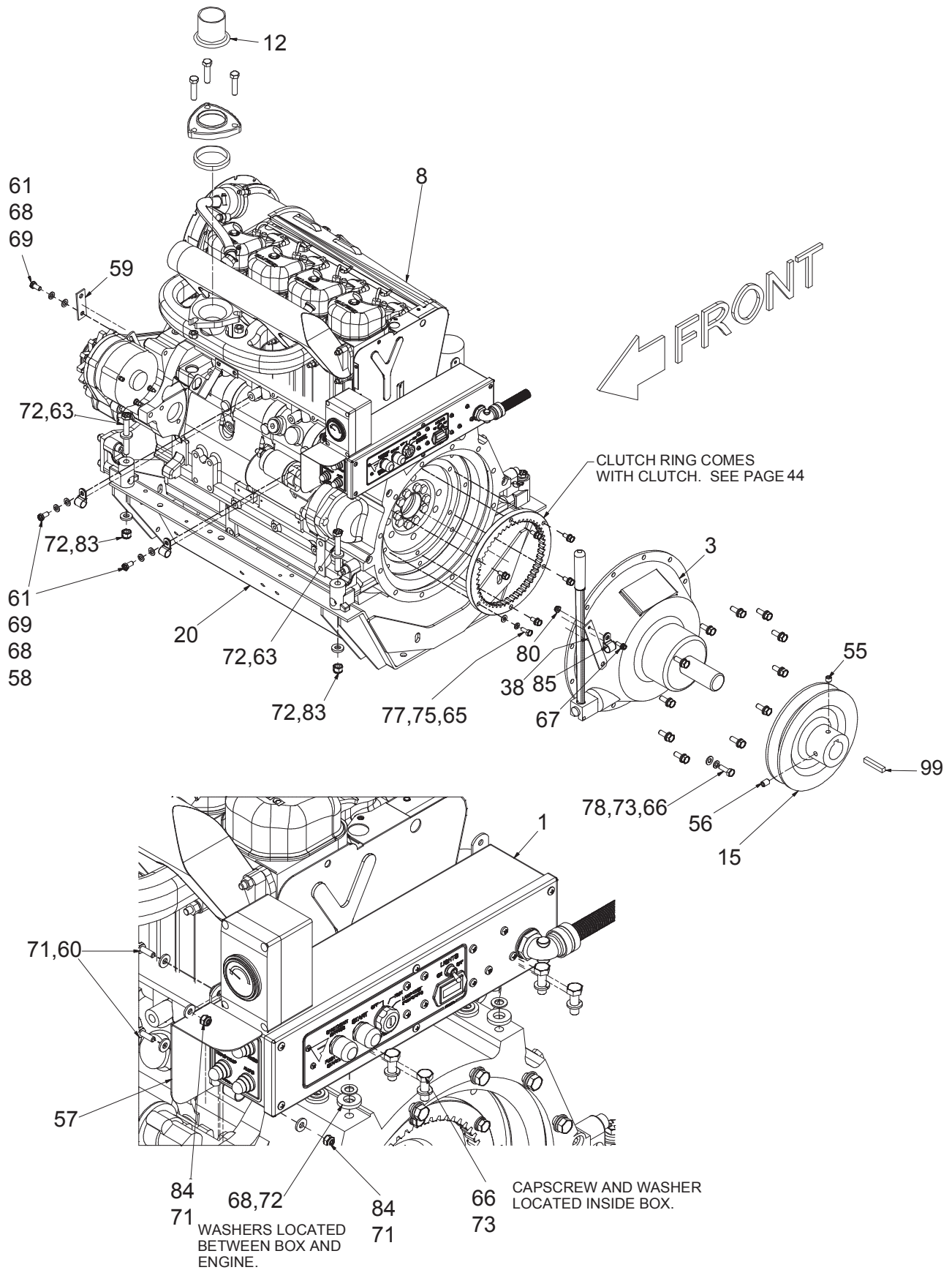
REF NO.	PART NO.	DESCRIPTION	QTY. USED	REF NO.	PART NO.	DESCRIPTION	QTY. USED
	<b>906188</b>	<b>ENGINE, COMPLETE</b>		<b>71</b>	221763W	. WASHER	4
1 *	903907	. CONTROL BOX ASSEMBLY	1	<b>72</b>	221771W	. WASHER	12
2	CBL1743180	. THROTTLE CABLE	1	<b>73</b>	234589	. WASHER	16
3**	CLH0001084	. CLUTCH	1	<b>74</b>	R13812509	. WASHER	1
6	CLV1756012	. CLEVIS W/PIN & COTTER	1	<b>75</b>	R13812484	. WASHER	6
8	258766	. ENGINE	1	<b>77</b>	296418W	. WASHER	6
10	900537	. ARM, THROTTLE ARM	1	<b>78</b>	296420W	. WASHER	12
12	EXH0013806	. EXHAUST TUBE	1	<b>79</b>	220044	. NUT	1
14	900534	. PLATE, MOUNTING	1	<b>80</b>	09416918	. NUT	1
15	F000007699	. PULLEY, MOTOR	1	<b>81</b>	234218	. NUT	2
20	MNT0018340	. BELLY PAN	1	<b>82</b>	224118	. NUT	2
38	F000007013	. BRACKET	1	<b>83</b>	223587	. NUT	4
40	252601	. FITTING	2	<b>84</b>	R13811189	. NUT	2
55	231486	. SET SCREW	1	<b>85</b>	209578	. CLAMP	1
56	STS5000750	. SET SCREW	1	<b>86</b>	253015	. SOLENOID	1
57	SHD0028273	. PLATE, SHIELD	1	<b>88</b>	255665	. OIL FILLER CAP	1
58	209588	. CLIP, INSULATED	2	<b>89</b>	257242	. STOP SWITCH, BROKEN BELT	1
59	901187	. BRACKET	1	<b>90</b>	255664	. DIP STICK	1
60	224120W	. CAPSCREW	2	<b>91</b>	252494	. FILTER, OIL	1
61	162572W	. CAPSCREW	3	<b>92</b>	257238	. OIL PRESSURE SENDER	1
62	Y17C-0616	. CAPSCREW	2	<b>93</b>	257239	. SWITCH, OIL TEMPERATURE	2
63	R13811085	. CAPSCREW	4	<b>94</b>	257240	. FUEL FILTER	1
64	Y09C-M0616	. CAPSCREW	1	<b>95</b>	253343	. BELT, COOLING FAN	1
65	293613W	. CAPSCREW	6	<b>96</b>	257241	. BELT, ALTERNATOR	1
66	Y09C-M1030	. CAPSCREW	16	<b>97</b>	255653	. VALVE, OVER FLOW	1
67	399741W	. SCREW	1	<b>98</b>	DTZ1119246	. BOLT, BANJO	1
68	223427	. WASHER	7	<b>99</b>	700360	. KEY	1
69	234135	. WASHER	3	<b>100</b>	908279	. SWITCH, HEAD TEMPERATURE	1
70	234665	. WASHER	1				

\* SEE PAGE 34

\*\* SEE PAGE 44 & 46

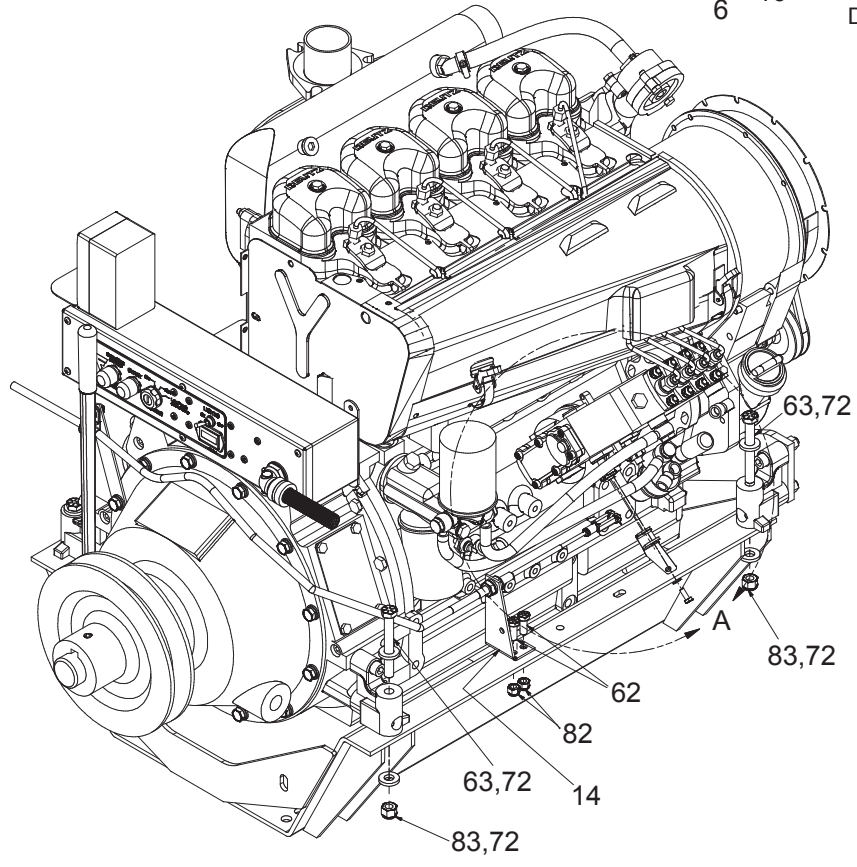
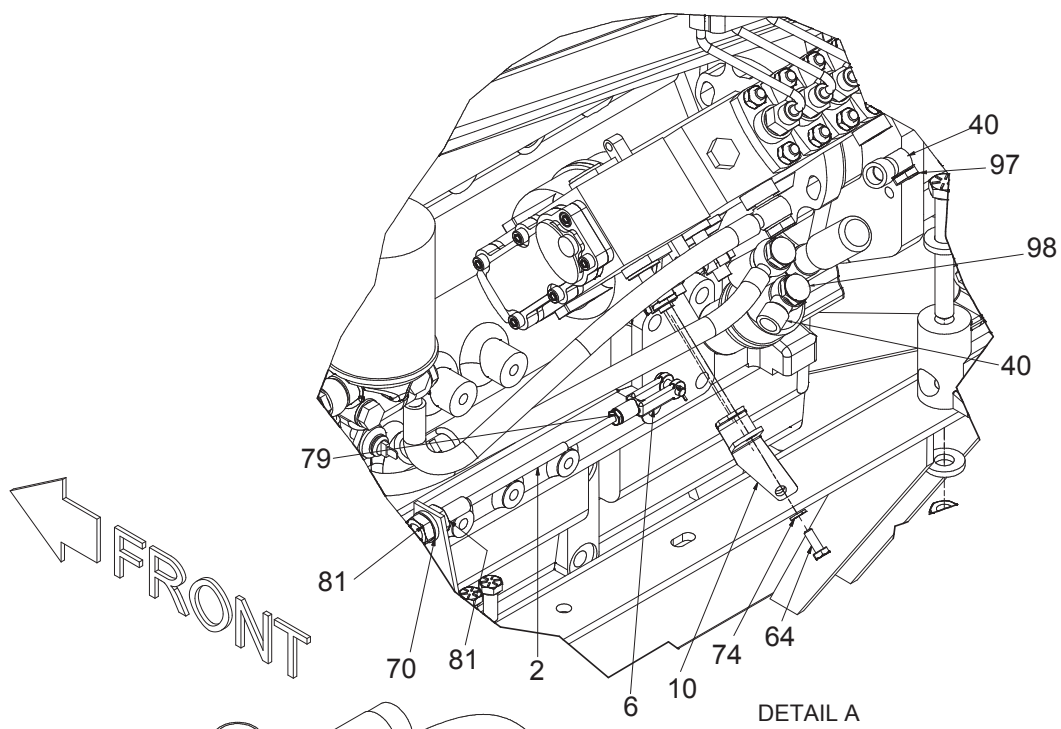
**ENGINE COMPLETE, TIER 4 INTERIM**

(2 OF 3)

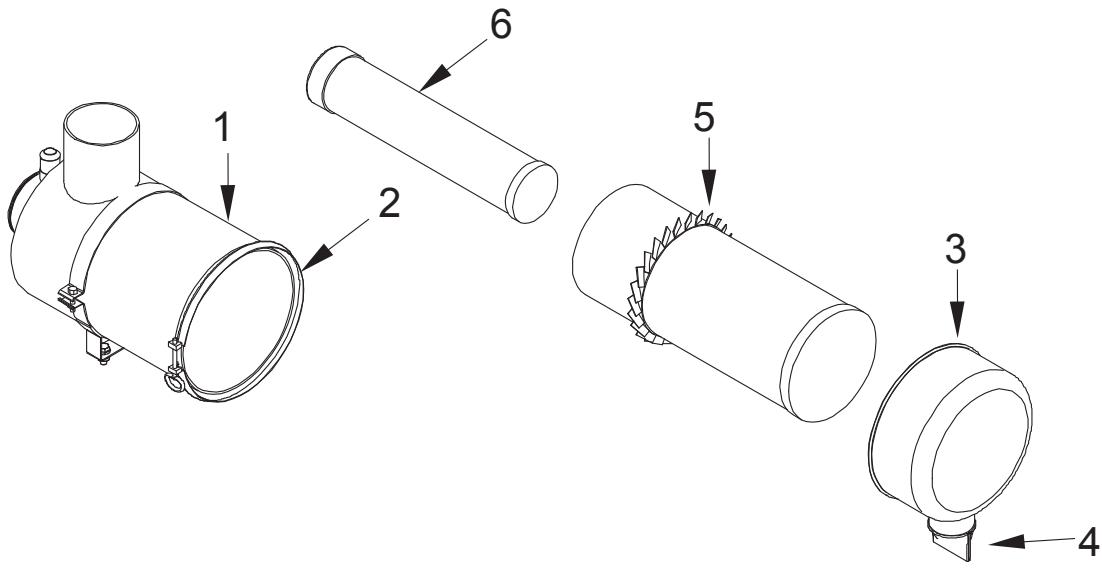


# ENGINE COMPLETE, TIER 4 INTERIM

(3 OF 3)



**AIR CLEANER ASSEMBLY**

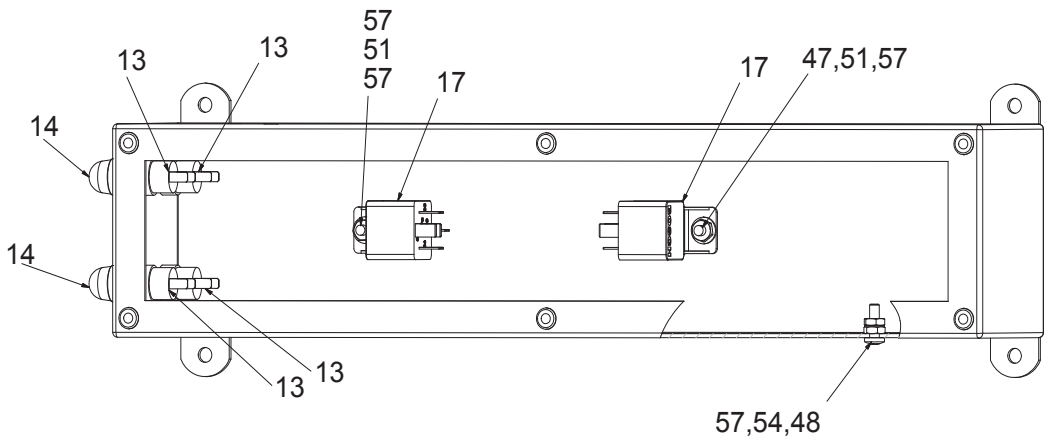
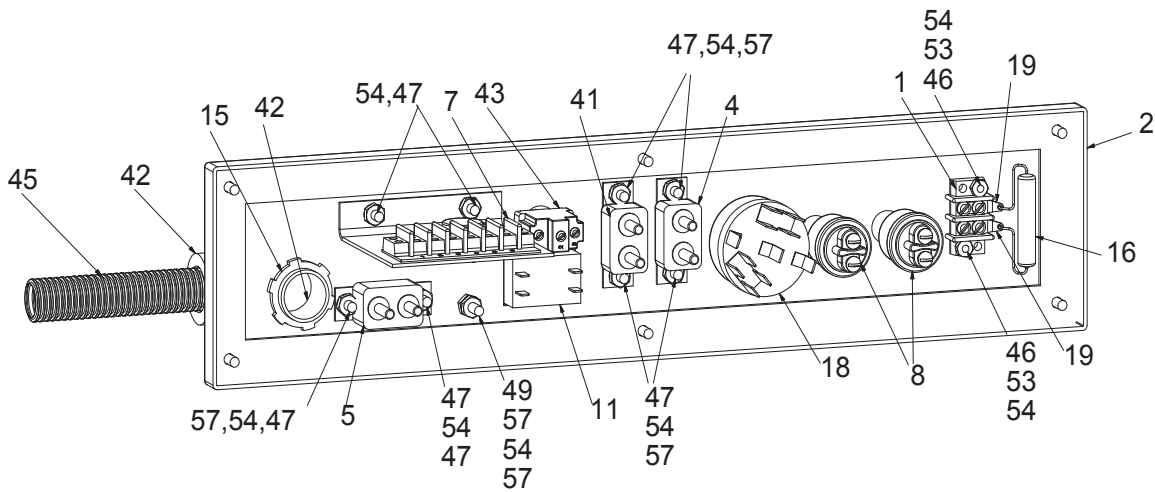
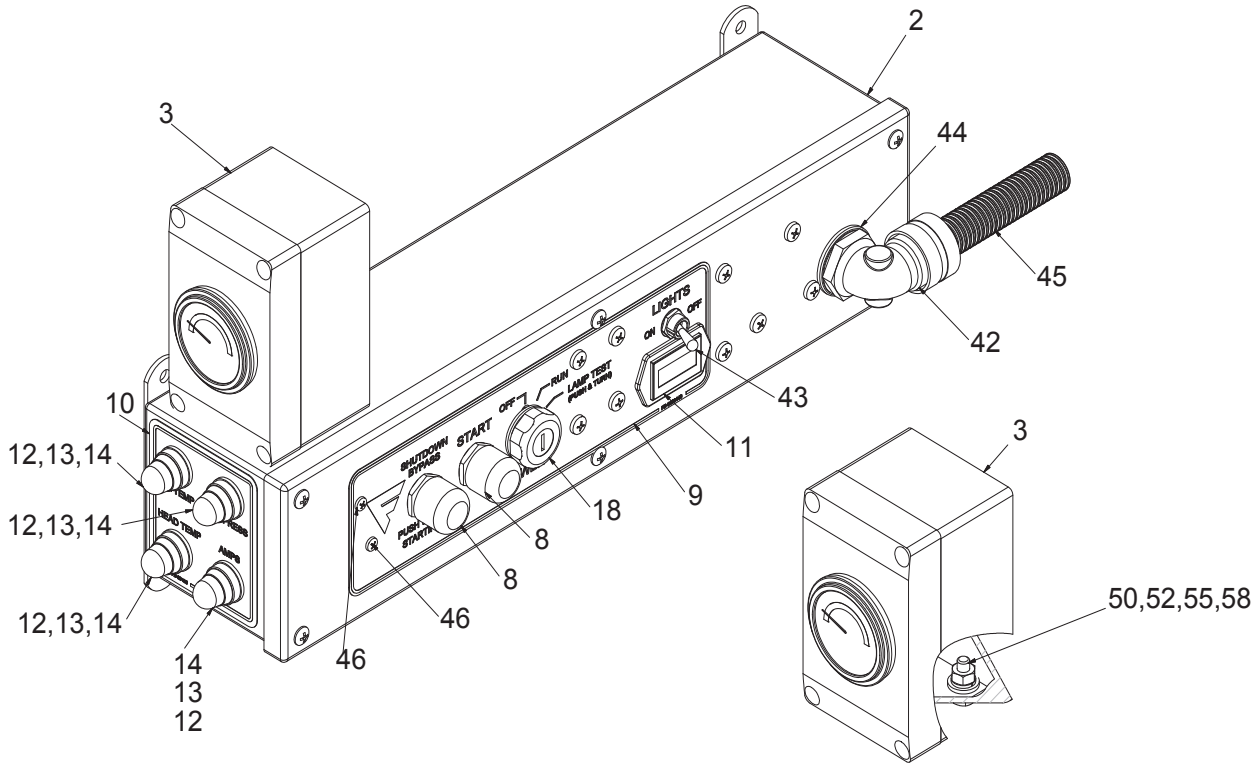


---

**AIR CLEANER ASSEMBLY**

REF NO.	PART NO.	DESCRIPTION	QTY. USED
	<b>254896</b>	<b>AIR CLEANER ASSEMBLY</b>	
1	255496	. BODY	1
2	255492	. BODY CLAMP	1
3	255493	. COVER	1
4	255497	. VALVE, ACTUATOR	4
5	255494	. FILTER	4
6	255495	. FILTER, SAFETY	4

**CONTROL BOX (ENGINE BALER)**

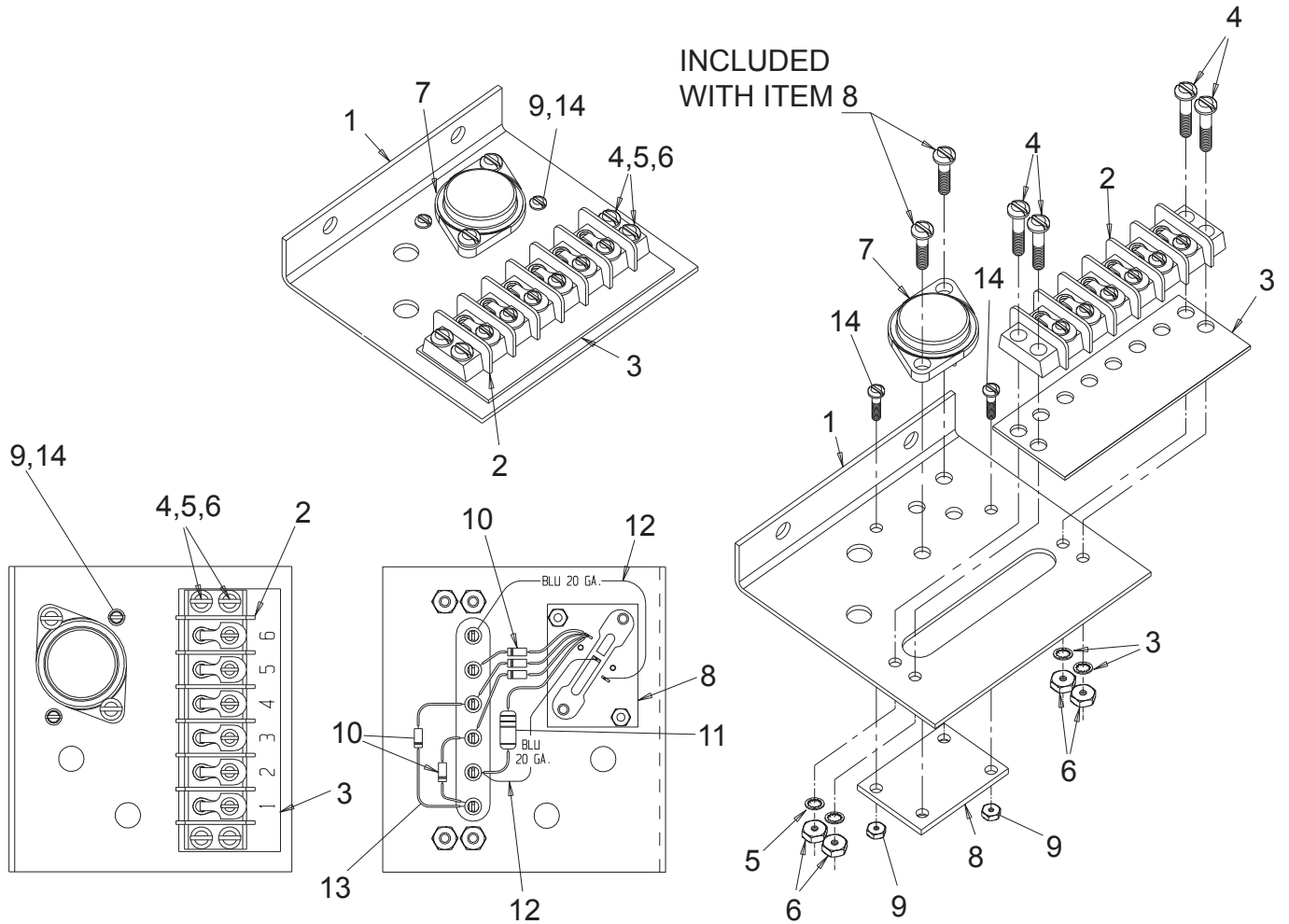




## CONTROL BOX (ENGINE BALER)

REF NO.	PART NO.	DESCRIPTION	QTY. USED	REF NO.	PART NO.	DESCRIPTION	QTY. USED
	<b>903907</b>	<b>CONTROL BOX ASSEMBLY</b>		<b>44</b>	231044	. RING, SEAL	1
1	BAB0002140	. TERMINAL BLOCK	1	<b>45**</b>	903496	. WIRE HARNESS, ENGINE	1
2	BOX0029110	. BOX	1	<b>46</b>	SMR6320500	. SCREW	2
3	BOX0034338	. GAUGE ASSEMBLY, FUEL	1	<b>47</b>	230640	. SCREW	10
4	CBK0005510	. CIRCUIT BREAKER	1	<b>48</b>	00109451	. SCREW	1
5	CBK0014520	. CIRCUIT BREAKER	1	<b>49</b>	00100766	. SCREW	1
6	CBT0000030	. CABLE TIE	1	<b>50</b>	223574	. CAPSCREW	2
7 *	CIR0029071	. MODULE ASSY , AUTO SHUTDOWN	1	<b>51</b>	00103338	. WASHER	2
8	DTZ0000626	. SWITCH, PUSH BUTTON	2	<b>52</b>	R13811443	. WASHER	2
9	FD00028146	. DECAL	1	<b>53</b>	WIS0000600	. WASHER	2
10	FD00029195	. DECAL	1	<b>54</b>	WIS0001000	. WASHER	10
11	GAG0001133	. HOURMETER	1	<b>55</b>	R13812512	. WASHER	2
12	LIT0001815	. LAMP, BAYONET	4	<b>56</b>	R13809520	. NUT	2
13	LIT1250410	. BASE, LAMP	4	<b>57</b>	220044	. NUT	14
14	LIT1251131	. LENS, RED	4	<b>58</b>	221703W	. NUT	2
15	NMS0000109	. NUT	1				
16	RES0045015	. RESISTOR	1		* SEE PAGE 31		
17	R4510197	. RELAY	2		** SEE PAGE 233		
18	SWI0001140	. SWITCH, IGNITION	1				
40	TER0604142	. TERMINAL	8				
41	200274	. CIRCUIT BREAKER	1				
42	208111	. CONNECTOR, CORD	1				
43	229289	. TOGGLE SWITCH	1				

**MODULE ASSEMBLY, AUTO SHUTDOWN**

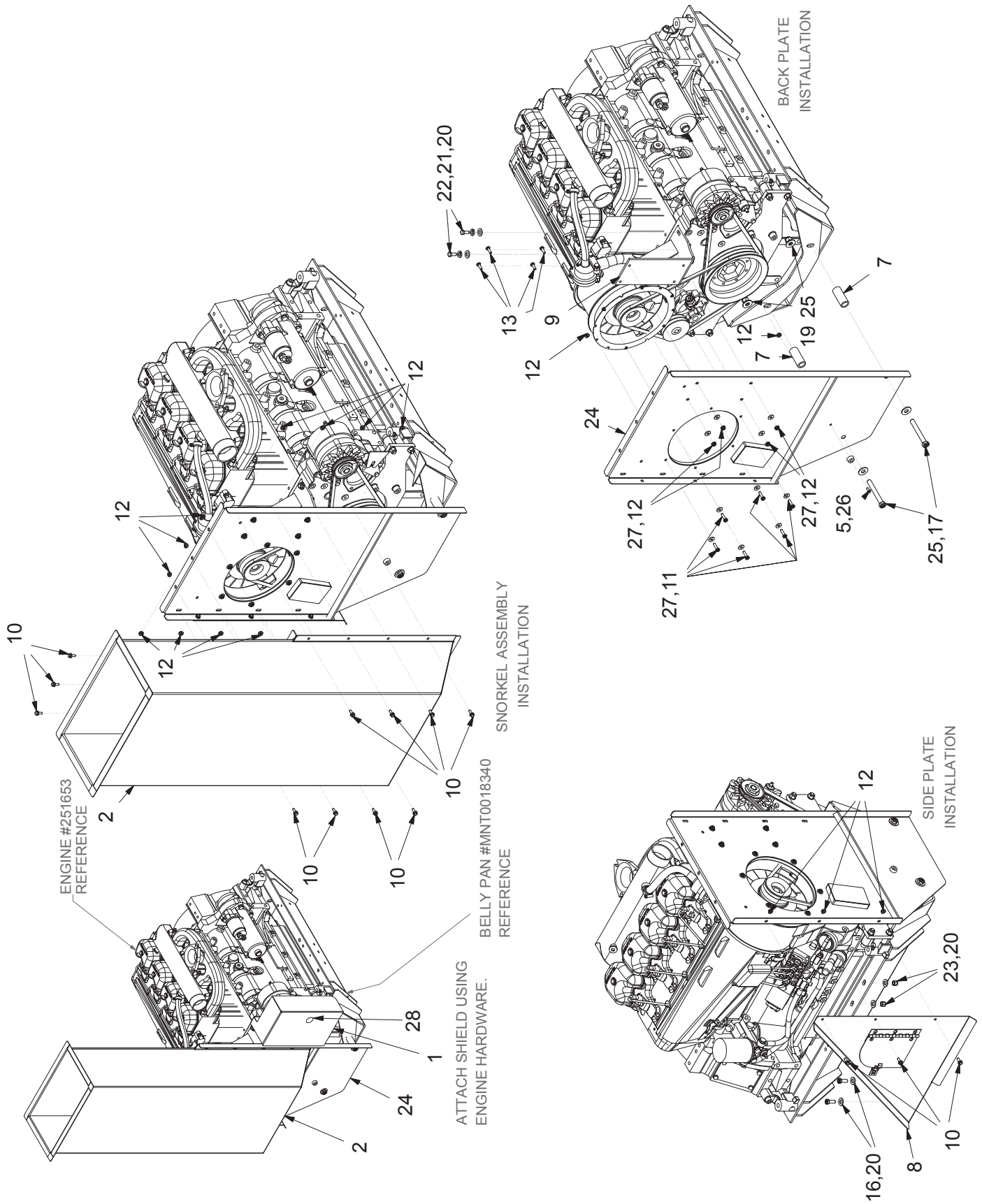


---

**MODULE ASSEMBLY, AUTO SHUTDOWN**

REF NO.	PART NO.	DESCRIPTION	QTY. USED
	<b>CIR0029071</b>	<b>MODULE ASSY, AUTO-SHUTDOWN</b>	
1	MNT036760B	. BRACKET, MOUNTING	1
2	BAB006140Y	. BARRIER BLOCK	1
3	MSR006140Y	. MARKER STRIP	1
4	SMR6320500	. SCREW	4
5	WIS0000600	. WASHER	4
6	R13809520	. NUT	4
7	TRA0044002	. TRANSISTOR	1
8	SOK5108401	. TRANSISTOR SOCKET	1
9	NCH0000440	. NUT	2
10	22635	. DIODE	5
11	RES0832127	. RESISTOR	1
12	233701	. WIRE	1
13	TUB0001800	. TUBING	1'
14	SMR4400375	. SCREW	2

# ENGINE AIR COOLING SNORKEL



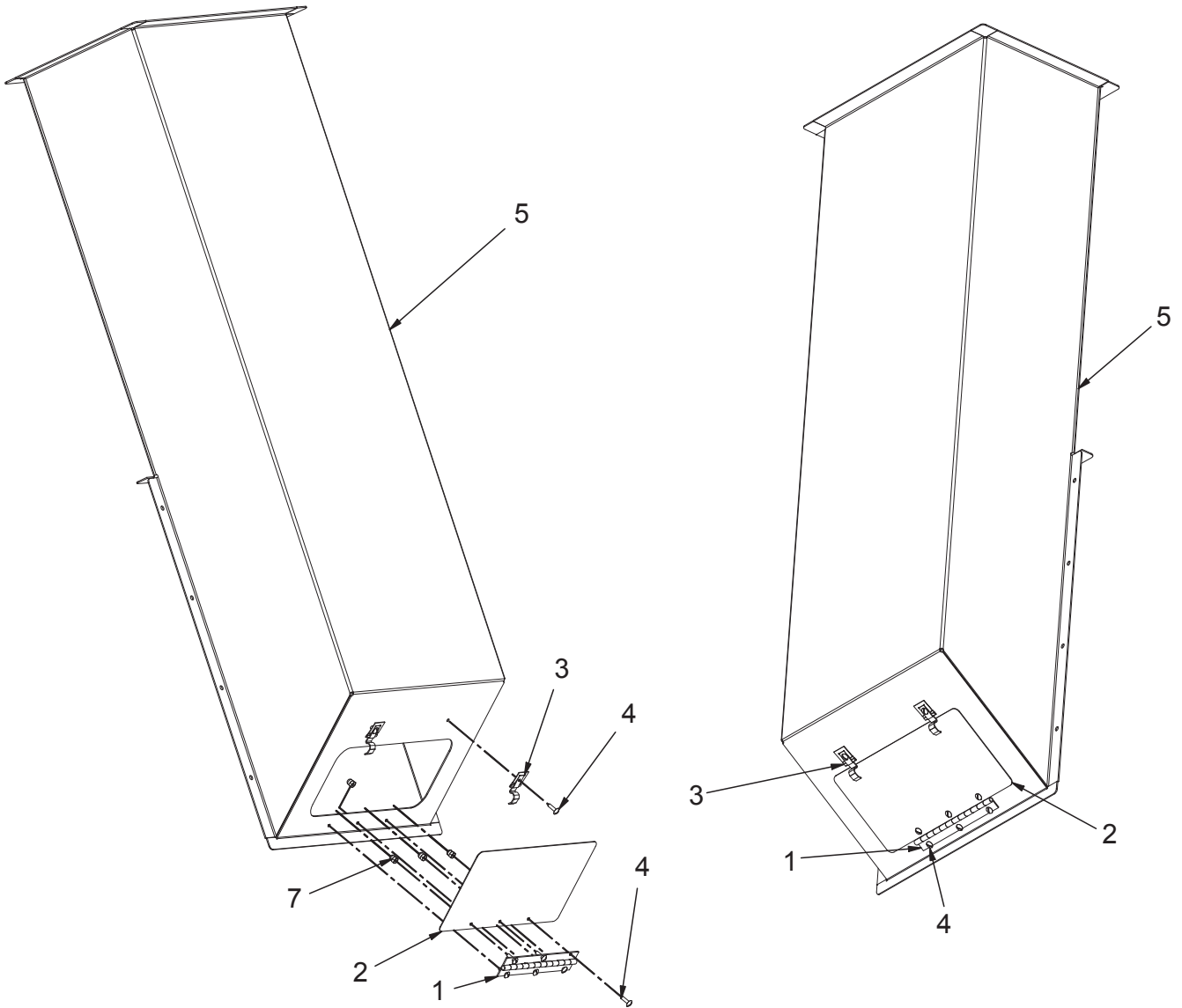
## ENGINE AIR COOLING SNORKEL

REF NO.	PART NO.	DESCRIPTION	QTY. USED
	<b>902048</b>	<b>SNORKEL INSTALLATION</b>	
1	SHD0035692	. SHIELD, ALT BELT	1
2 *	902050	. SNORKEL ASSEMBLY, W/DOOR	1
5	BMP0004243	. BUMPER, RUBBER	1
7	902146	. PIPE	2
8**	902148	. BRACKET ASSEMBLY, SIDE	1
9	902145	. SUPPORT	1
10	SMS0000171	. BOLT	14
11	R13810993	. CAPSCREW	6
12	09416918	. NUT	25
13	224120W	. CAPSCREW	4
16	Y17C-0616	. CAPSCREW	2
17	R13811085	. CAPSCREW	2
19	223587	. NUT	2
20	222677	. WASHER	6
21	R13806996	. WASHER	2
22	293613W	. CAPSCREW	2
23	237567	. NUT	2
24	902045	. PLATE, BACK	1
25	222615	. WASHER	4
26	00113955	. SCREW	1
27	R13812213	. WASHER	10
28	PLU0009292	. PLUG, PLASTIC	1

\* SEE PAGE 35

\*\* SEE PAGE 37

**SNORKEL ASSEMBLY**



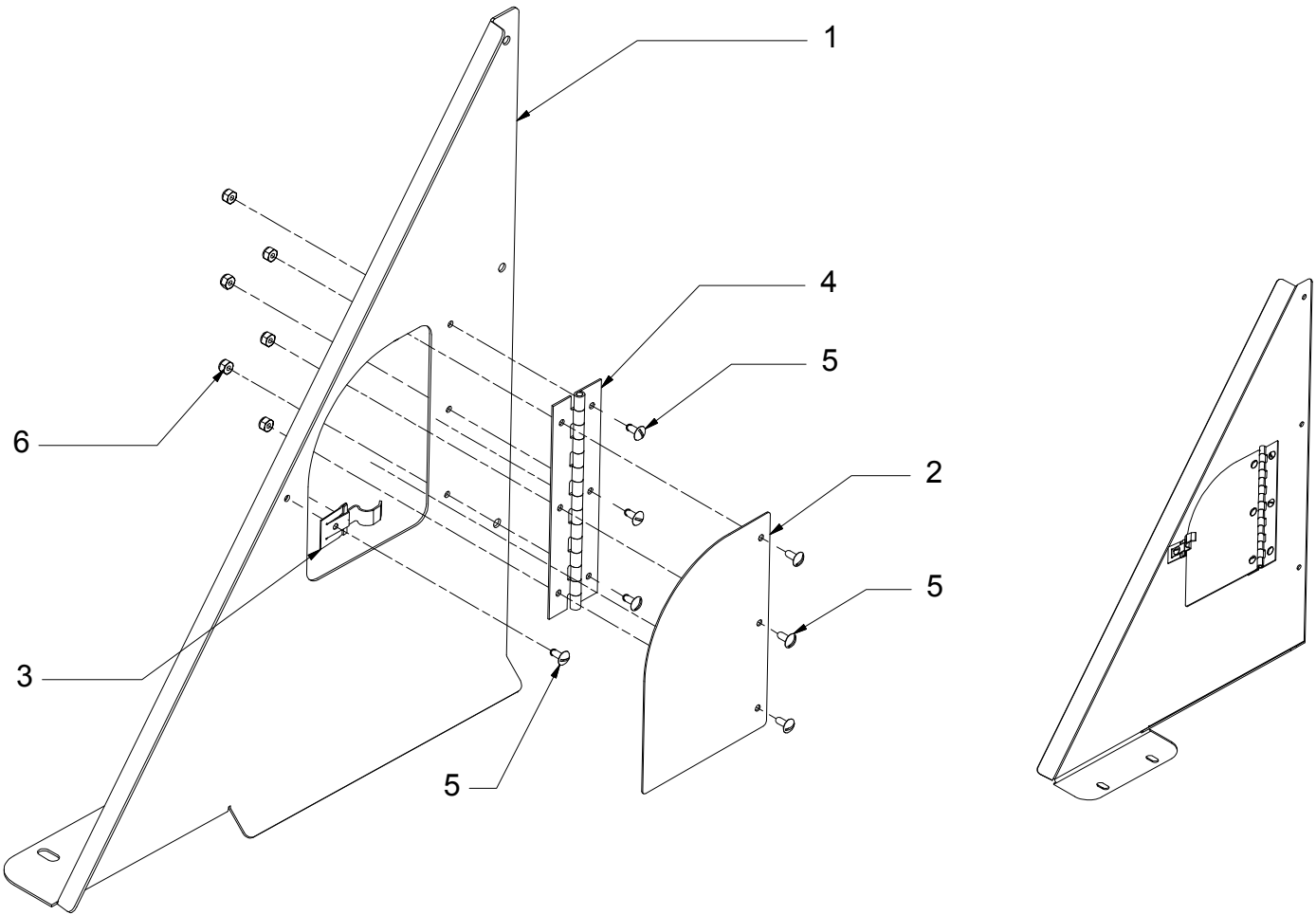
---

**SNORKEL ASSEMBLY**

REF NO.	PART NO.	DESCRIPTION	QTY. USED
	<b>902050</b>	<b>SNORKEL ASSEMBLY</b>	
1	HNG0007094	. HINGE	1
2	902038	. DOOR, BOTTOM	1
3	F000006108	. CATCH, DOOR	2
4	SMP1032500	. SCREW	8
5	902047	. SNORKEL	1
7	239729	. NUT	8

902050 REV 1/10 CC

**SIDE SUPPORT BRACKET ASSEMBLY**



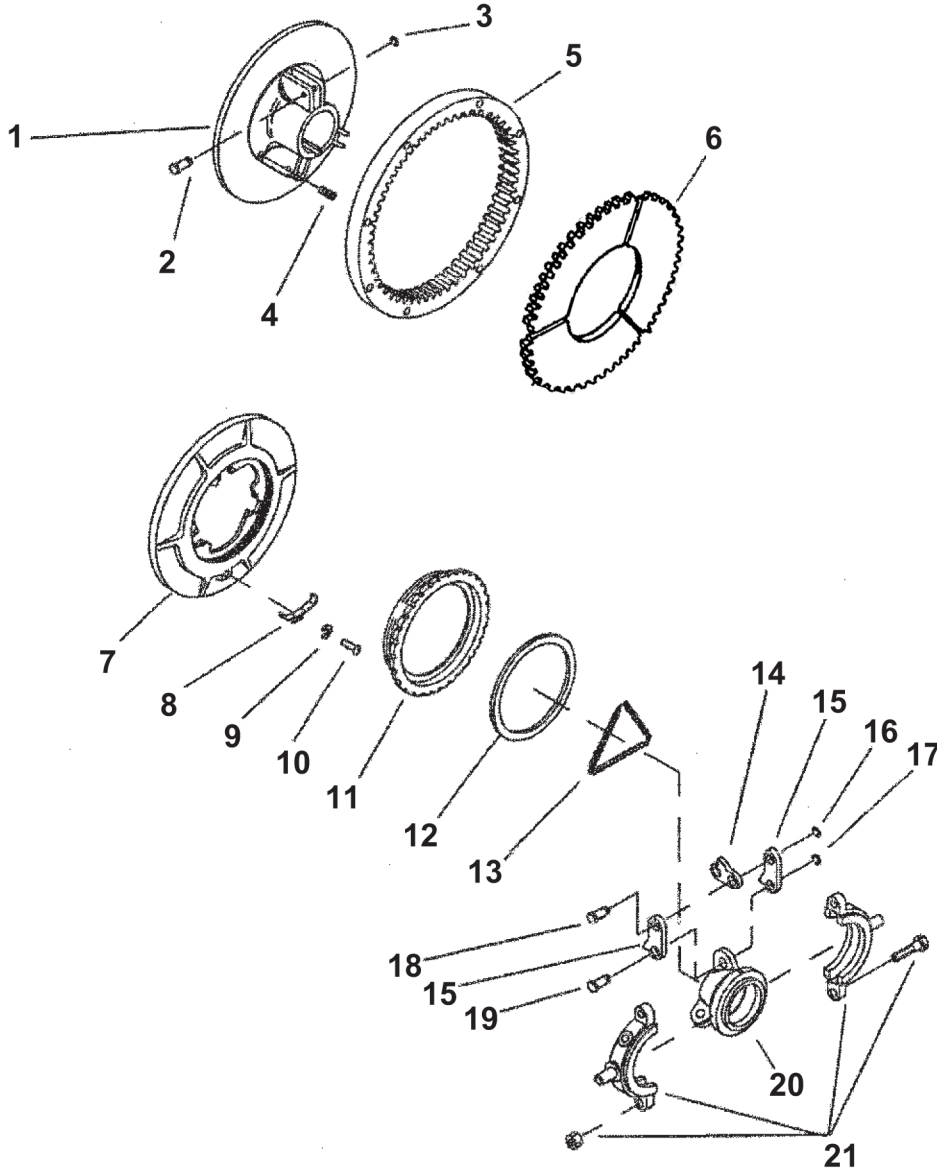


---

**SIDE SUPPORT BRACKET ASSEMBLY**

REF NO.	PART NO.	DESCRIPTION	QTY. USED
	<b>902148</b>	<b>BRACKET ASSEMBLY</b>	
1	902149	. BRACKET	1
2	902147	. PLATE, DOOR	1
3	F000006108	. CATCH, DOOR	1
4	HNG0007094	. HINGE, DOOR SHIELD	1
5	R13804205	. SCREW	7
6	239729	. NUT	7

**CLUTCH**

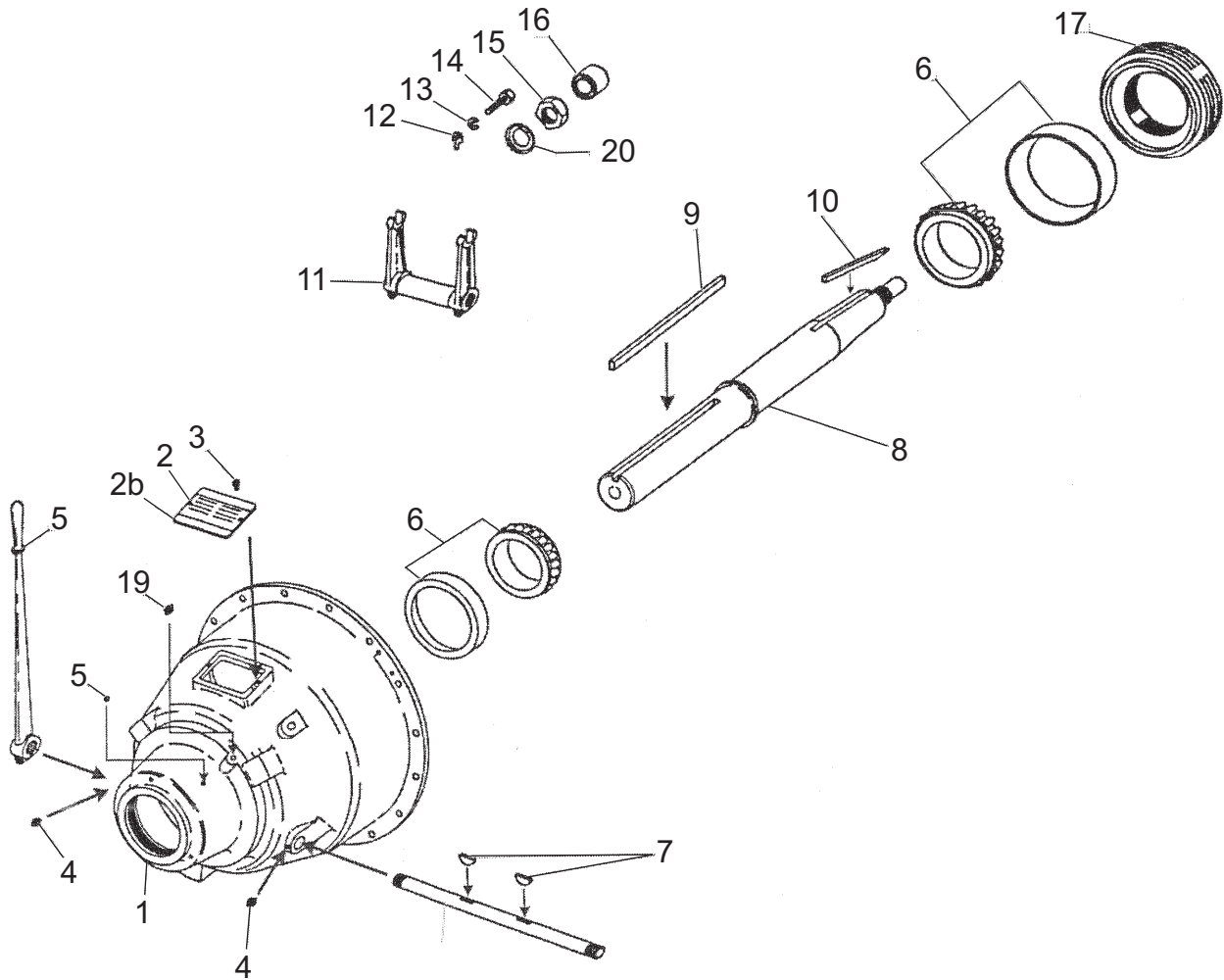


## CLUTCH

REF NO.	PART NO.	DESCRIPTION	QTY. USED
1	CLH0230819	CLUTCH BODY	1
2	*****	CLEVIS PIN	3
3	*****	RETAINING RING	3
4	*****	SEPARATOR SPRING	3
5	CLH0205851	CLUTCH PLATE & RELEASE ASB-DTZ	1
6	CLH0203569	FACING PLATE	1
7	CLH0216506	COMPRESSION SPRING F/DTZ CLTCH	1
8	*****	ADJUSTMENT LOCK	1
9	*****	WASHER	1
10	*****	BOLT	1
11	CLH0205823	ADJUSTING RING	1
12	CLH0205997	WEAR RING	1
13	*****	LEVER SPRING	1
14	*****	LEVER	3
15	*****	LINK	6
16	*****	RETAINING RING	3
17	*****	RETAINING RING	3
18	*****	CLEVIS PIN	3
19	*****	CLEVIS PIN	3
20	CLH0206563	RELEASE SLEEVE	1
21	CLH0334051	RELEASE BEARING	1

\*\*\*\*\* ITEM AVAILABLE ONLY AS PART OF  
CLUTCH KIT CLH0332919

**POWER TAKE-OFF**



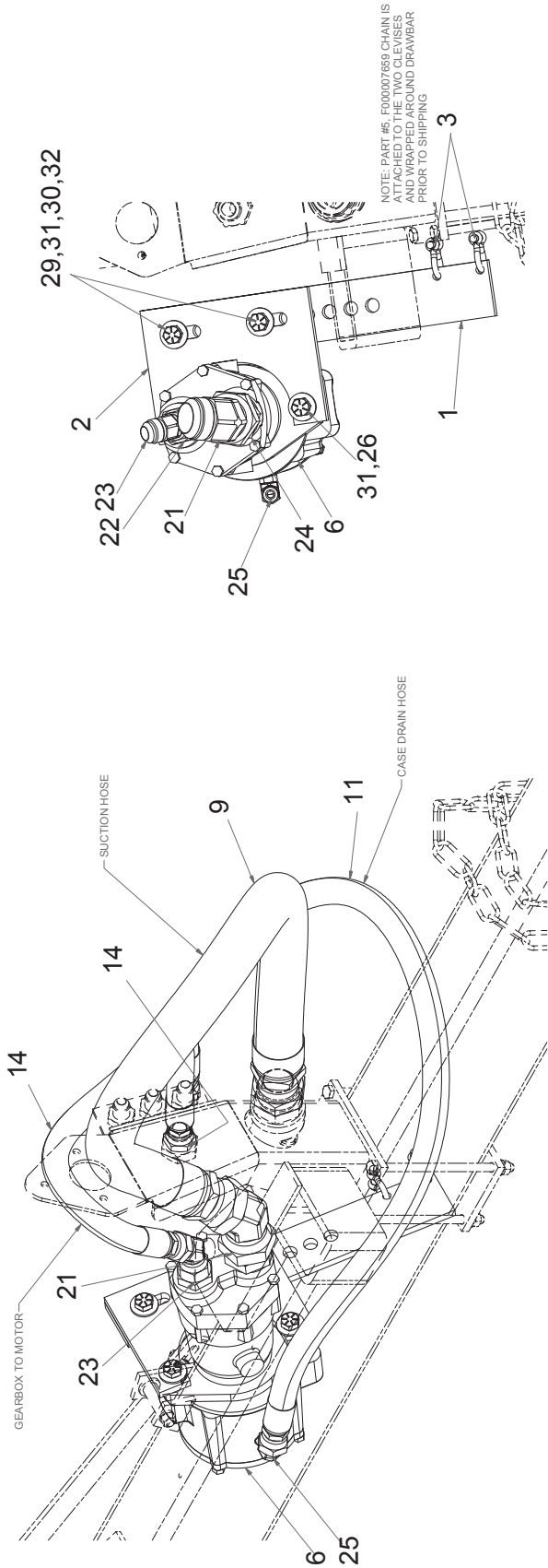
---

**POWER TAKE-OFF**

REF NO.	PART NO.	DESCRIPTION	QTY. USED
1	CLH0204230	BELL HOUSING	1
2	CLH0205358	NAME PLATE	1
2B	252527	PLATE, COVER	1
3	CLH0206092	BOLT	2
4	CLH0207954	FITTING, GREASE	2
5	CLH0308369	LEVER, SHIFTING	1
6	CLH0307569	BEARINGS, MAIN	2
7	CLH0204536	KEY, WOODRUFF	2
8	CLH0230909	DRIVE SHAFT	1
9	CLH0204487	OUTPUT KEY	1
10	CLH0204485	CLUTCH KEY	1
11	CLH0308371	YOKE SUB ASSEMBLY	1
12	CLH0205368	LINK, ADJUSTING	1
13	CLH0207227	WASHER	1
14	CLH0203061	BOLT	1
15	CLH0204746	NUT	1
16	CLH0207445	BEARING, PILOT	1
17	CLH0205717	RELEASE SLEEVE -V465 CLUTCH	1
18	CLH0269854	FITTING, GREASE	1
19	CLH0260843	FITTING, GREASE	1
20	CLH0207231	WASHER	1

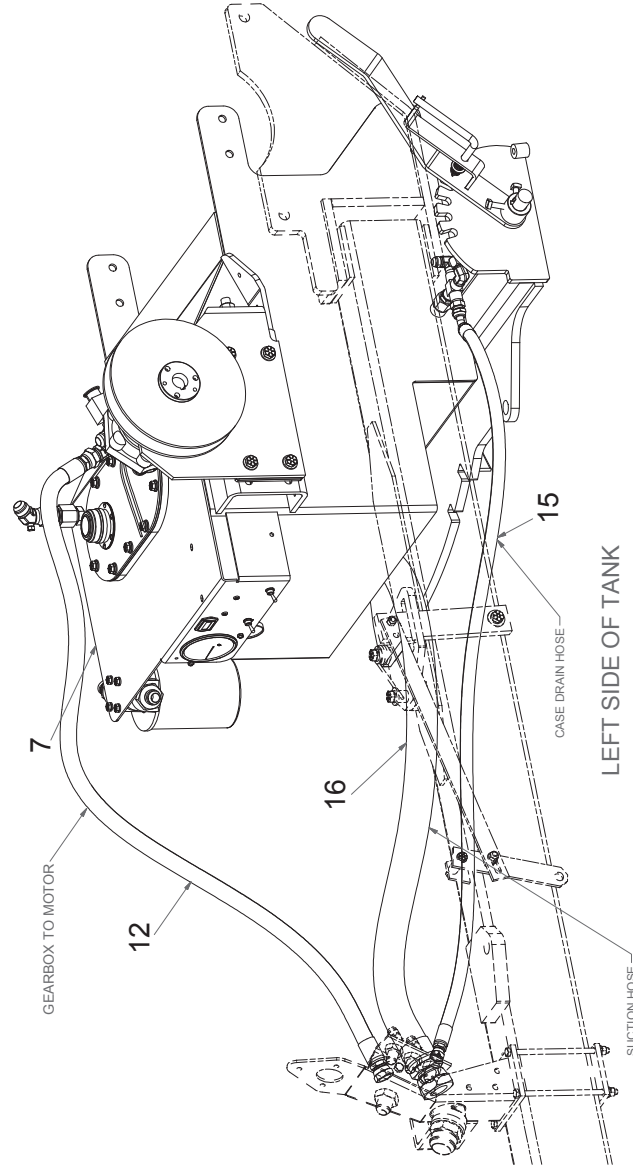
# HYDRAULIC PTO PUMP, MOTOR AND HOSES

(1 OF 3)



TORQUE BRACKET AND ARM

DRAWBAR AND MOTOR HOSES



LEFT SIDE OF TANK

## HYDRAULIC PTO PUMP, MOTOR AND HOSES

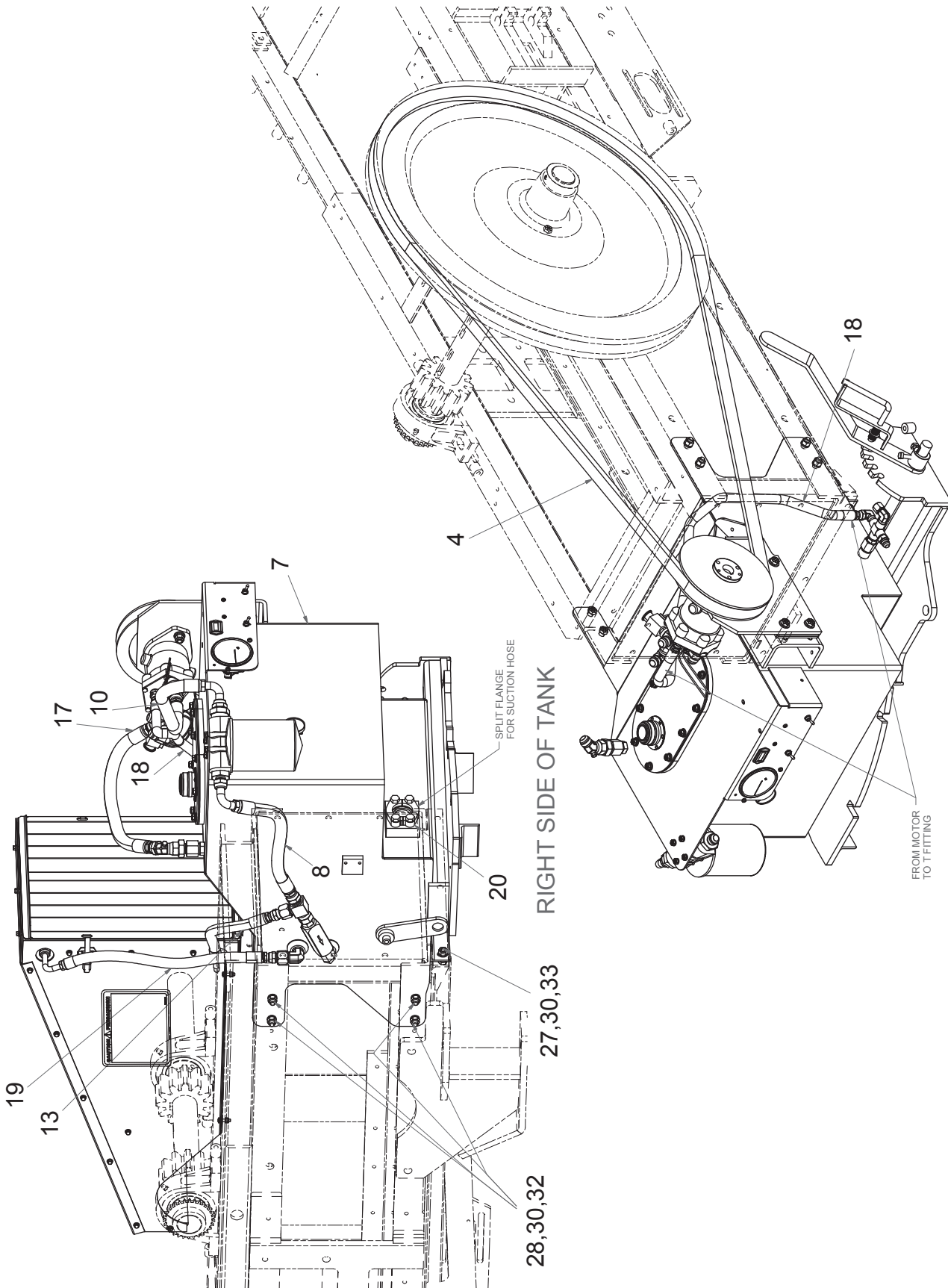
REF NO.	PART NO.	DESCRIPTION	QTY. USED	REF NO.	PART NO.	DESCRIPTION	QTY. USED
1	ARM0007155	BAR, ARM	1	20	11767	KIT, SPLIT FLANGE	1
2	BKT0006715	BRACKET	1		200604	. WASHER	4
3	CLV0007721	SHACKLE, SCREW PIN	2		203516	. O-RING	1
4	F000007000	BELT, DRIVE	1		209537	. CLAMP HALF	2
5	F000007659	CHAIN, BALE CHUTE	1		222379	. CAPSCREW	4
6 *	PMP0077021	HYDRAULIC PTO PUMP & GEARBOX	1	21	14701	FITTING	1
7**	903543	TANK ASSEMBLY	1	22	209164	FITTING	1
8	28928	HOSE ASSEMBLY	1	23	214219	FITTING	1
9	237745	HOSE ASSEMBLY	1	24	223003	FITTING	1
10	242826	HOSE ASSEMBLY	1	25	224298	FITTING	1
11	245958	HOSE ASSEMBLY	1	26	221563W	CAPSCREW	2
12	253618	HOSE ASSEMBLY	1	27	Y18C-0820	CAPSCREW	3
13	253621	HOSE ASSEMBLY	1	28	200454W	CAPSCREW	8
14	253622	HOSE ASSEMBLY	1	29	221569W	CAPSCREW	2
15	256937	HOSE ASSEMBLY	1	30	R13812516	LOCKWASHER	13
16	256846	HOSE ASSEMBLY	1	31	R13811433	WASHER	4
17	HOS0006915	HOSE ASSEMBLY	1	32	221711W	NUT	10
18	HOS0007722	HOSE ASSEMBLY	1	33	221712W	NUT	3
19	HOS037371A	HOSE ASSEMBLY	1	34	SHR037304E	BULLGEAR SHIELD/OIL COOLER	1
				35	R13810993	CAPSCREW	4
				36	R13812213	WASHER	4
				37	R13811189	LOCKNUT	4

\* PUMP AND GEARBOX USES SEAL KIT PMP0077021  
 GEARBOX SECTION USES SEAL KIT CE77000900  
 PUMP SECTION SEAL USES KIT CE77001900

\*\* SEE PAGE 47

# HYDRAULIC PTO PUMP, MOTOR AND HOSES

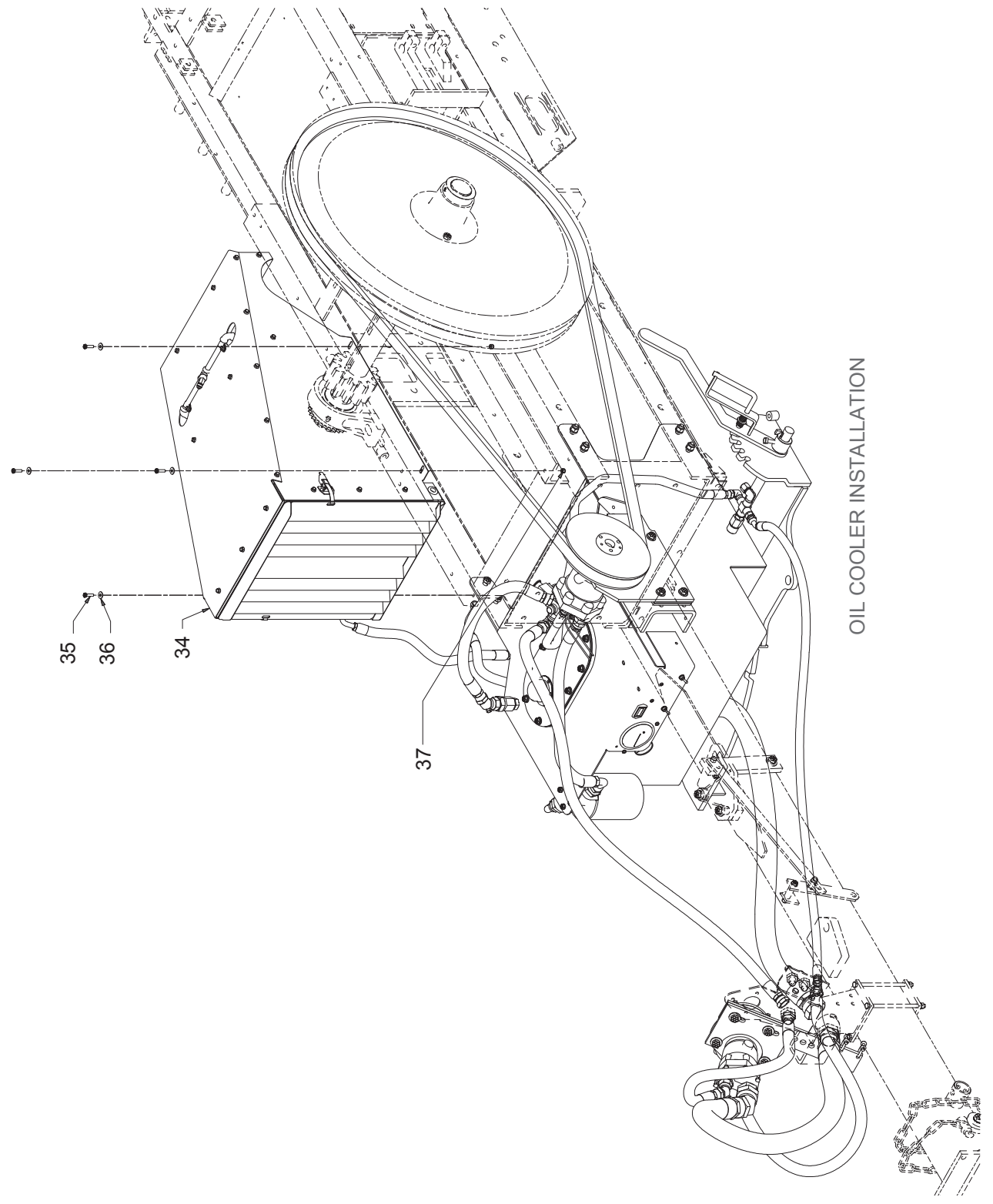
(2 OF 3)





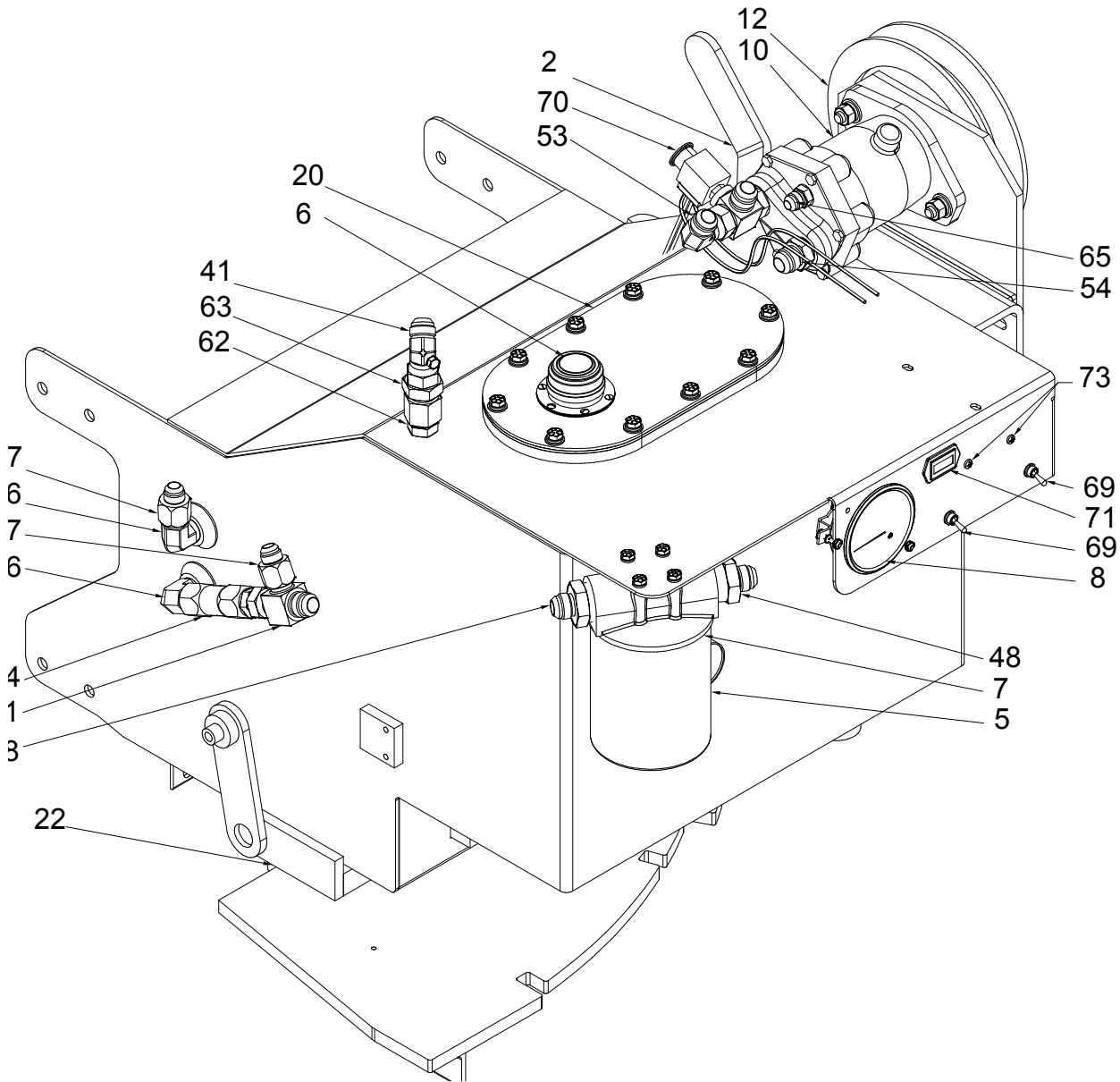
# HYDRAULIC PTO PUMP, MOTOR AND HOSES

(3 OF 3)



# HYDRAULIC PTO TANK

(1 OF 2)

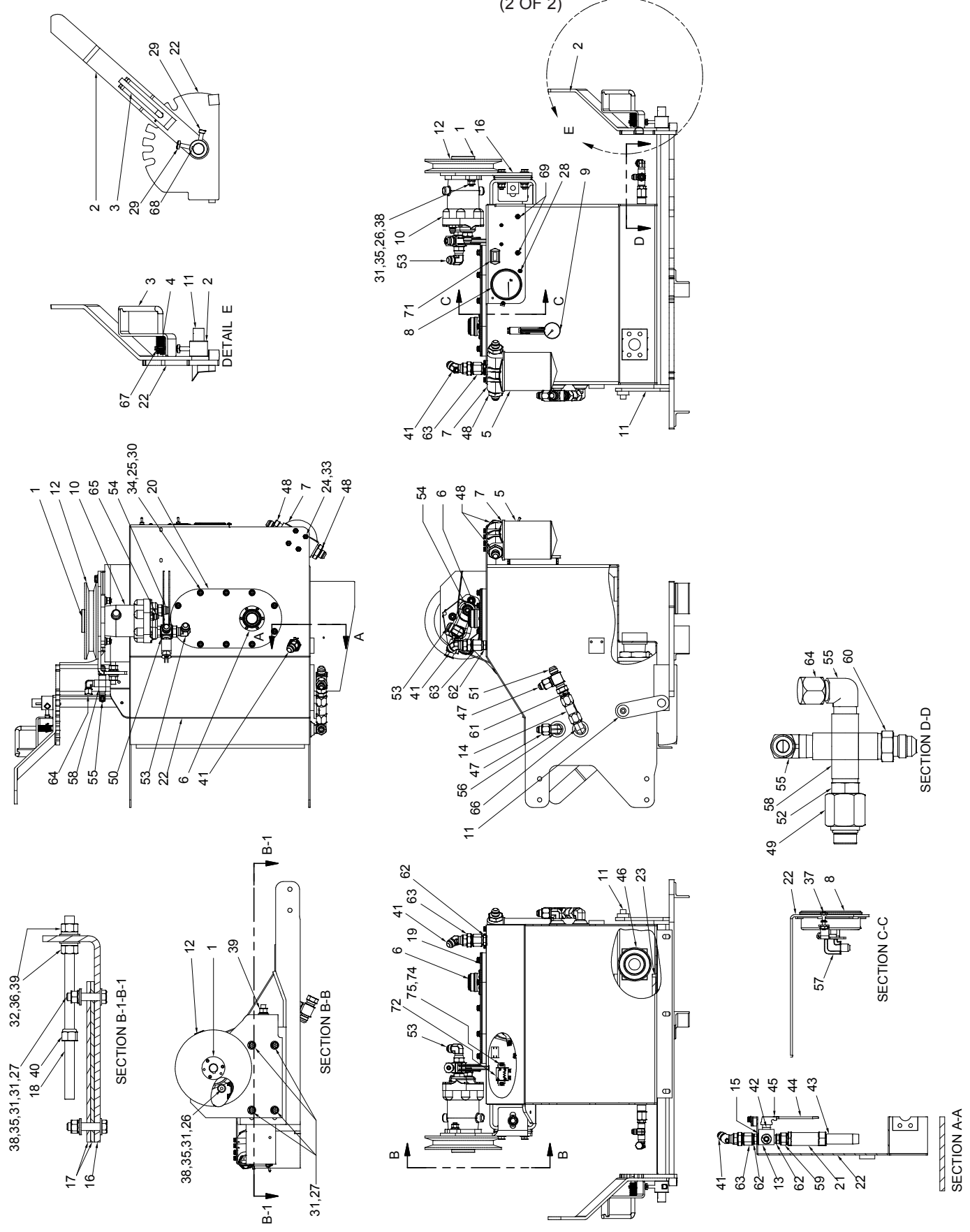


## HYDRAULIC PTO TANK

REF NO.	PART NO.	DESCRIPTION	QTY. USED	REF NO.	PART NO.	DESCRIPTION	QTY. USED
	<b>903543</b>	<b>TANK ASSEMBLY</b>		<b>39</b>	229952	. NUT	2
1	BSH1001125	. BUSHING	1	40	R13811195	. LOCKNUT	1
2	F000007539	. LEVER	1	41	HYD0025371	. FITTING	1
3	F000007540	. PIN, ADJ	1	42	PPE0000750	. NIPPLE, PIPE	1
4	F000007541	. COMPRESSION SPRING	1	43	PPE1000500	. NIPPLE, PIPE	1
5	FIL0023018	. ELEMENT, FILTER	1	44	PPE7500600	. NIPPLE, PIPE	1
6	FIL0010003	. CAP, FILTER	1	45	PPE0075900	. FITTING	1
7	FIL0120000	. HEAD, FILTER	1	46	R14337	. STRAINER, SUCTION	1
8	GAG0000001	. GAUGE, TENSION CONTROLLED	1	47	R13597	. FITTING	2
9	GAG0064051	. GAUGE, SIGHT LEVEL	1	48	19071	. FITTING	2
10*	MTR0074418	. MOTOR ASSY, HYDRAULIC	1	49	28561	. FITTING	1
11	PLF0026952	. LEVER 1		50	903918	. FITTING	1
12	PUL0006630	. PLATE, SHEAVE	1	51	209087	. FITTING	1
13	VLV0000001	. VALVE, RELIEF	1	52	209161	. FITTING	1
14	VLV0075005	. VALVE, CHECK	1	53	209166	. FITTING	1
15	231044	. RING, SEAL	1	54	209215	. FITTING	1
16	901445	. PLATE, MOUNTING	1	55	209413	. FITTING	2
17	901673	. PLATE, SPACER	1	56	209417	. FITTING	1
18	901681	. ROD	1	57	209427	. FITTING	1
19	901697	. GASKET	1	58	209498	. FITTING	1
20	901747	. PLATE, COVER	1	59	209508	. FITTING	1
21	903477	. VALVE	1	60	209757	. FITTING	1
22	903542	. TANK	1	61	209759	. FITTING	1
23	R525293	. MAGNET, CERAMIC	2	62	209901	. FITTING	2
24	R13811014	. CAPSCREW	4	63	214179	. FITTING	1
25	162572W	. CAPSCREW	10	64	215515	. FITTING	1
26	Y09G-0828	. CAPSCREW	2	65	211550	. FITTING	1
27	221574W	. CAPSCREW	4	66	218970	. FITTING	1
28	R13802341	. SCREW	2	67	00103385	. COTTER PIN	1
29	SQS3751250	. SET SCREW	2	68	48688	. KEY	1
30	223427	. WASHER	10	69	229289	. TOGGLE SWITCH	2
31	239519	. WASHER	11	70	903920	. SWITCH	1
32	R13806986	. WASHER	2	71	GAG0001133	. HOURMETER	1
33	R13812513	. LOCKWASHER	4	72	252619	. RELAY	1
34	234135	. LOCKWASHER	10	73	243525	. CAPSCREW	2
35	R13812516	. LOCKWASHER	6	74	WIS0000400	. LOCKWASHER	2
36	223694	. LOCKWASHER	2	75	220044	. NUT	2
37	R13812544	. NUT	2				
38	221711W	. NUT	6		*USES SEAL KIT CE77001900		

# HYDRAULIC PTO TANK

(2 OF 2)

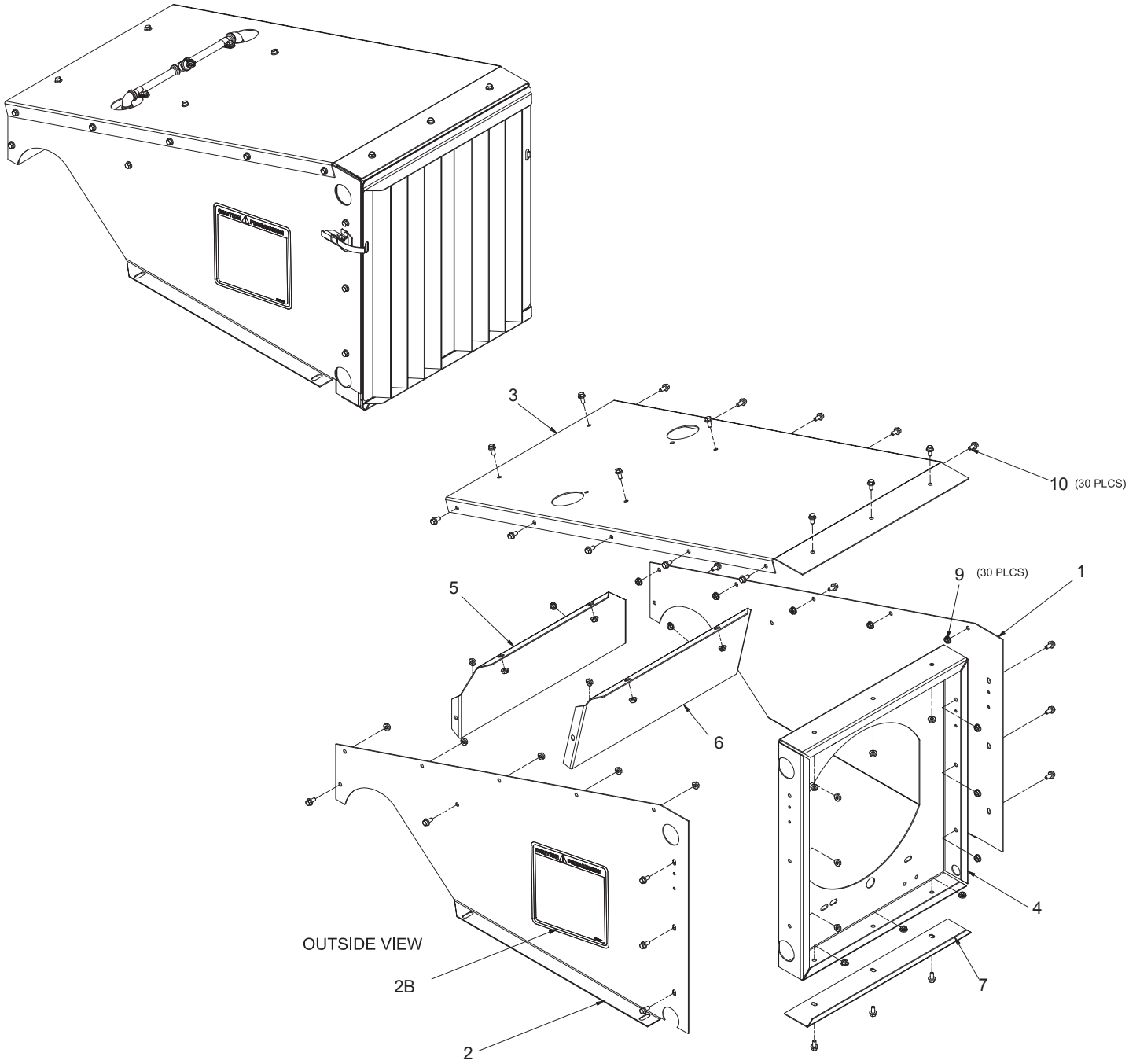


---

INTENTIONALLY LEFT BLANK

**BULLGEAR SHIELD/OIL COOLER SHROUD ASSY**

(1 OF 2)

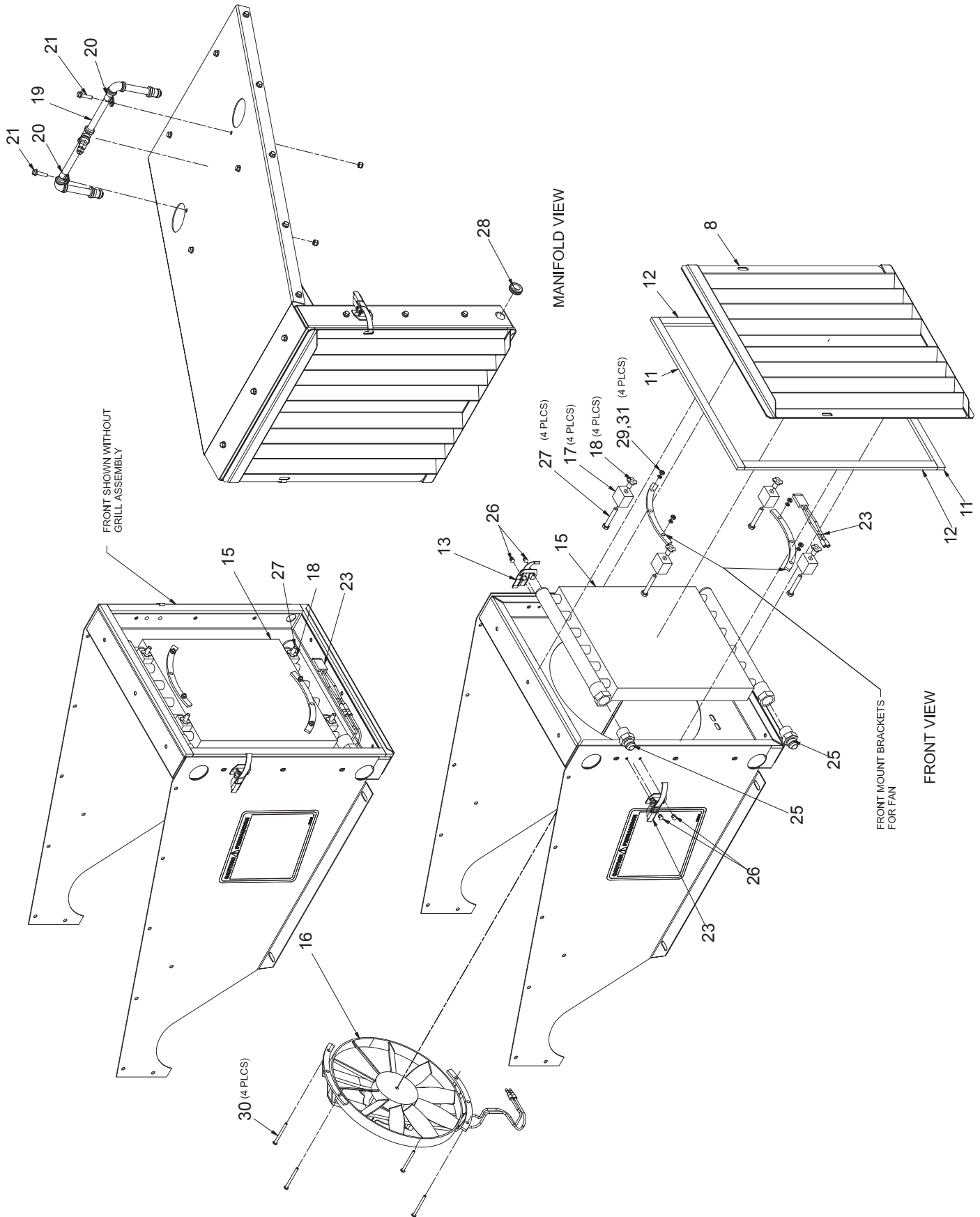


## BULLGEAR SHIELD/OIL COOLER SHROUD ASSY

REF NO.	PART NO.	DESCRIPTION	QTY. USED	REF NO.	PART NO.	DESCRIPTION	QTY. USED
	<b>904028</b>	<b>BULLGEAR SHD/OIL COOLER SHROUD</b>		<b>15</b>	F000006263	. HEAT EXCHANGER	1
<b>1</b>	SHR036954D	. PLATE,LH SHROUD	1	<b>16</b>	901524	. FAN	1
<b>2</b>	SHR036953D	. PLATE,RH SHROUD	1	<b>17</b>	CLR0002094	. MOUNTING BLOCK-OIL COOLER	4
<b>2B</b>	FD00023473	. DECAL, CAUTION	1	<b>18</b>	CLR0002353	. TEE NUT-OIL COOLER MOUNT	4
<b>3</b>	SHR037306D	. PLATE, TOP SHROUD	1	<b>19</b>	901573	. MANIFOLD ASSEMBLY	1
<b>4</b>	SHR037305E	. PLATE,SHROUD	1	<b>20</b>	209578	. CLAMP	2
<b>5</b>	SHR037307B	. PLATE,BACK	1	<b>21</b>	SMS0000308	. WHIZ BOLT	2
<b>6</b>	SHR037308B	. PLATE,BAFFLE	1	<b>22</b>	R13811189	. LOCKNUT	2
<b>7</b>	GRL037309B	. PLATE,LWR SUPPORT	1	<b>23</b>	903317	. WIRE HARNESS	1
<b>8</b>	GRL037310E	. GRILL WELDMENT,OIL COOLER	1	<b>25</b>	209891	. FITTING	2
<b>9</b>	09416918	. NUT, SERRATED	30	<b>26</b>	RIV0000606	. RIVET	4
<b>10</b>	SMS0000173	. BOLT, WHIZ	30	<b>27</b>	221474W	. CAPSCREW	4
<b>11</b>	WEA037324A	. WEATHER STRIP	2	<b>28</b>	256328	. GROMMET	1
<b>12</b>	WEA037325A	. WEATHER STRIP	2	<b>29</b>	R13812544	. HEX NUT	4
<b>13</b>	CLP0000130	. HOOK-TYPE FASTENER	2	<b>30</b>	SMR1320225	. MACHINE SCREW	4
				<b>31</b>	R13806992	. LOCKWASHER	4

**BULLGEAR SHIELD/OIL COOLER SHROUD ASSY**

(2 OF 2)

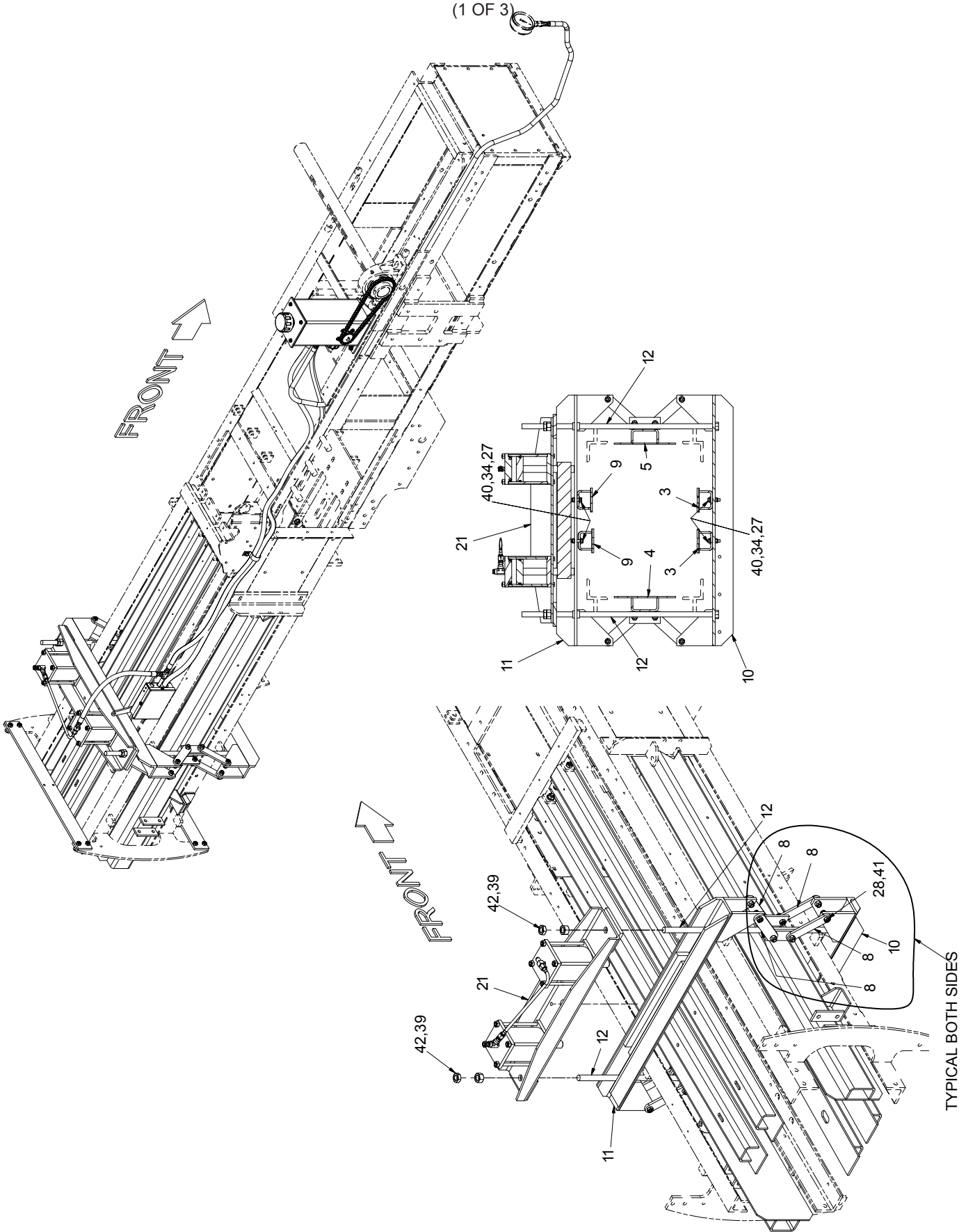




INTENTIONALLY LEFT BLANK

# TENSIONING AND REAR MOUNTS

(1 OF 3)



## TENSIONING AND REAR MOUNTS

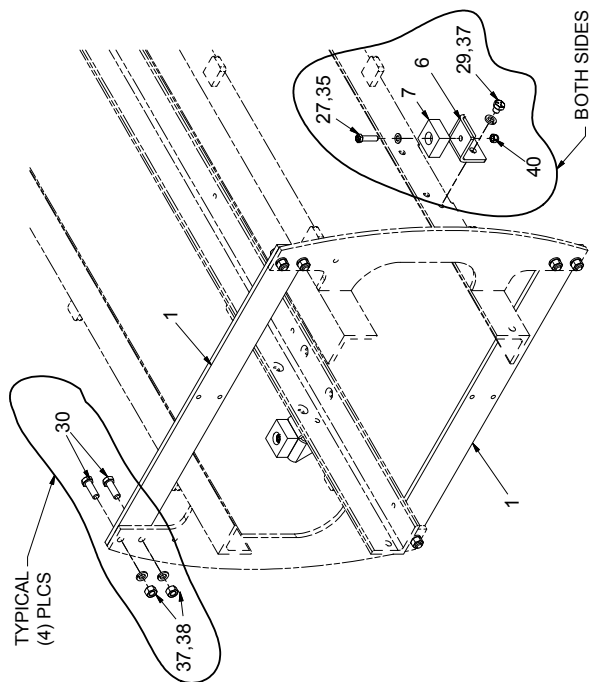
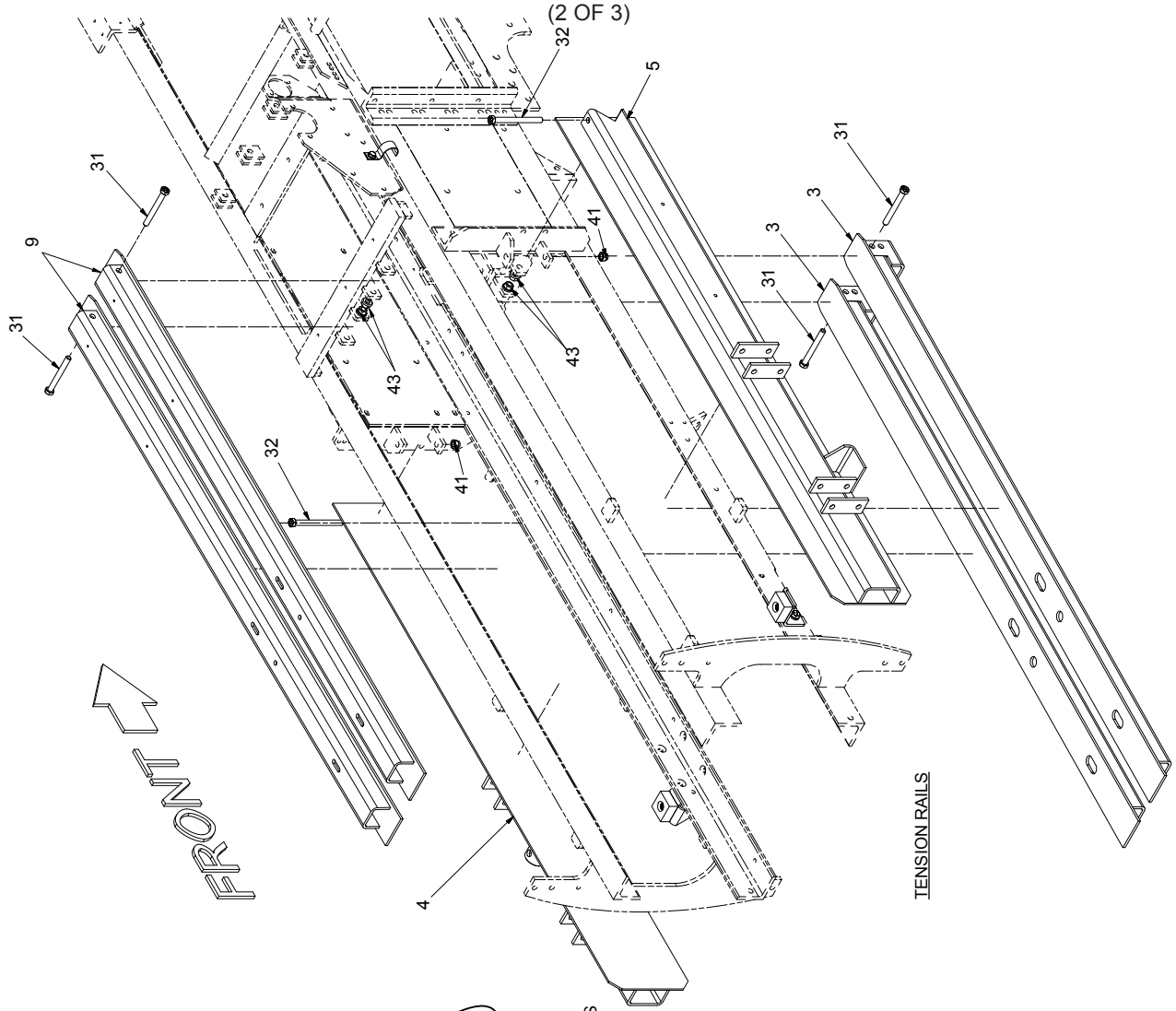
REF NO.	PART NO.	DESCRIPTION	QTY. USED	REF NO.	PART NO.	DESCRIPTION	QTY. USED
1	PLT0035077	BAR, UPPER	2	26	Y17C-0616	CAPSCREW	2
2	FT00000221	HOSE ASSEMBLY	1	27	Y17C-0624	CAPSCREW	6
3	TNS0034362	RAIL, BOTTOM TENSION	2	28	221563W	CAPSCREW	16
4	TNS0018902	RAIL, LH	1	29	R13800229	CAPSCREW	2
5	TNS0018903	RAIL, RH	1	30	200454W	CAPSCREW	8
6	MNT037760B	PLATE, SUPPORT	2	31	234889	CAPSCREW	4
7	PAD0018804	PAD, TENSION RAIL SUPPORT	2	32	R13801857	CAPSCREW	2
8	F000000497	PLATE, LINKAGE BAR	8	33	SMS0000173	BOLT, WHIZ	3
9	TNS0022284	TENSION RAIL, TOP	2	34	223428	WASHER	8
10	TNS0007049	ANGLE	1	35	R13802623	WASHER	4
11	TNS0007050	ANGLE	1	36	234135	WASHER	4
12	F000000600	BOLT, TENSION	2	37	234665	WASHER	10
13*	FT00015049	PUMP/TANK ASSEMBLY	1	38	221711W	NUT	8
14	FT00000556	DRIVE CHAIN, TENSION CONTROL	1	39	221716W	NUT	2
16	F000004073	OFFSET LINK - RC 40	1	40	237567	NUT	6
17**	FT00000192	BOX ASSEMBLY, BYPASS	1	41	223587	NUT	18
18	FT00000225	HOSE ASSEMBLY	1	42	247008	JAM NUT	2
19	FT00000191	HOSE, RETURN	1	43	R13804125	NUT	4
20	FT00000252	HOSE CLAMP	1	44	HSP0000004	HOSE PROTECTOR	1
21***	FT00000277	RAM ASSEMBLY, DUAL	1	46	CLP0000165	STRAP	1
22	FT00000530	FILLER BREATHER	1	47	174413W	SCREW	1
23	FT00000050	PLATE, COVER	1	48	09411507	NUT	1
24	HOS0027946	HOSE ASSEMBLY	1	49	FT00000555	SPROCKET, DRIVE	1
25	R13811031	CAPSCREW	2				

\* SEE PAGE 59

\*\* SEE PAGE 61

\*\*\* SEE PAGE 63

### TENSIONING AND REAR MOUNTS CONTINUED

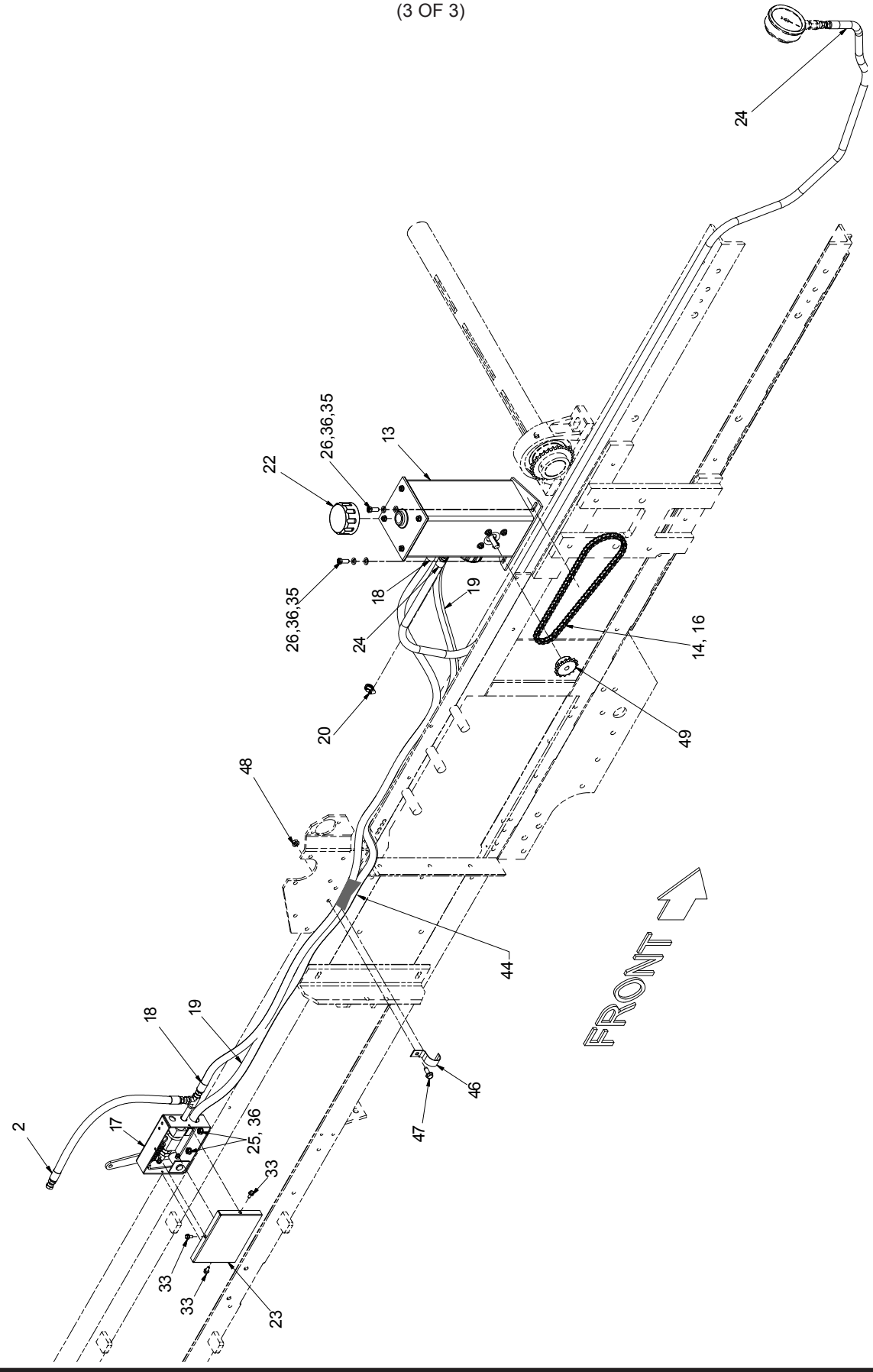


BOTH SIDES

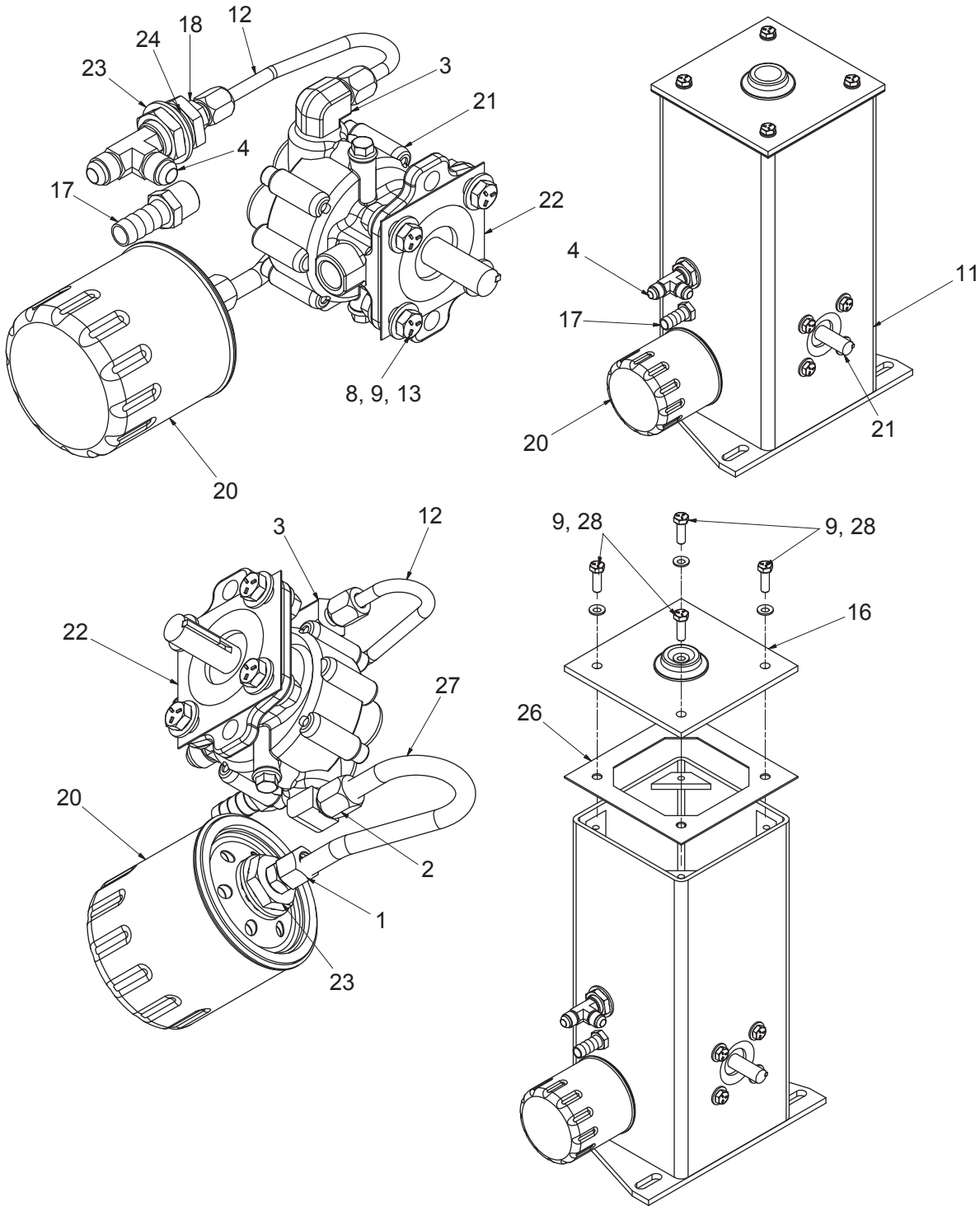
BACK PLATE AND MOUNT PADS

# TENSIONING AND REAR MOUNTS CONTINUED

(3 OF 3)



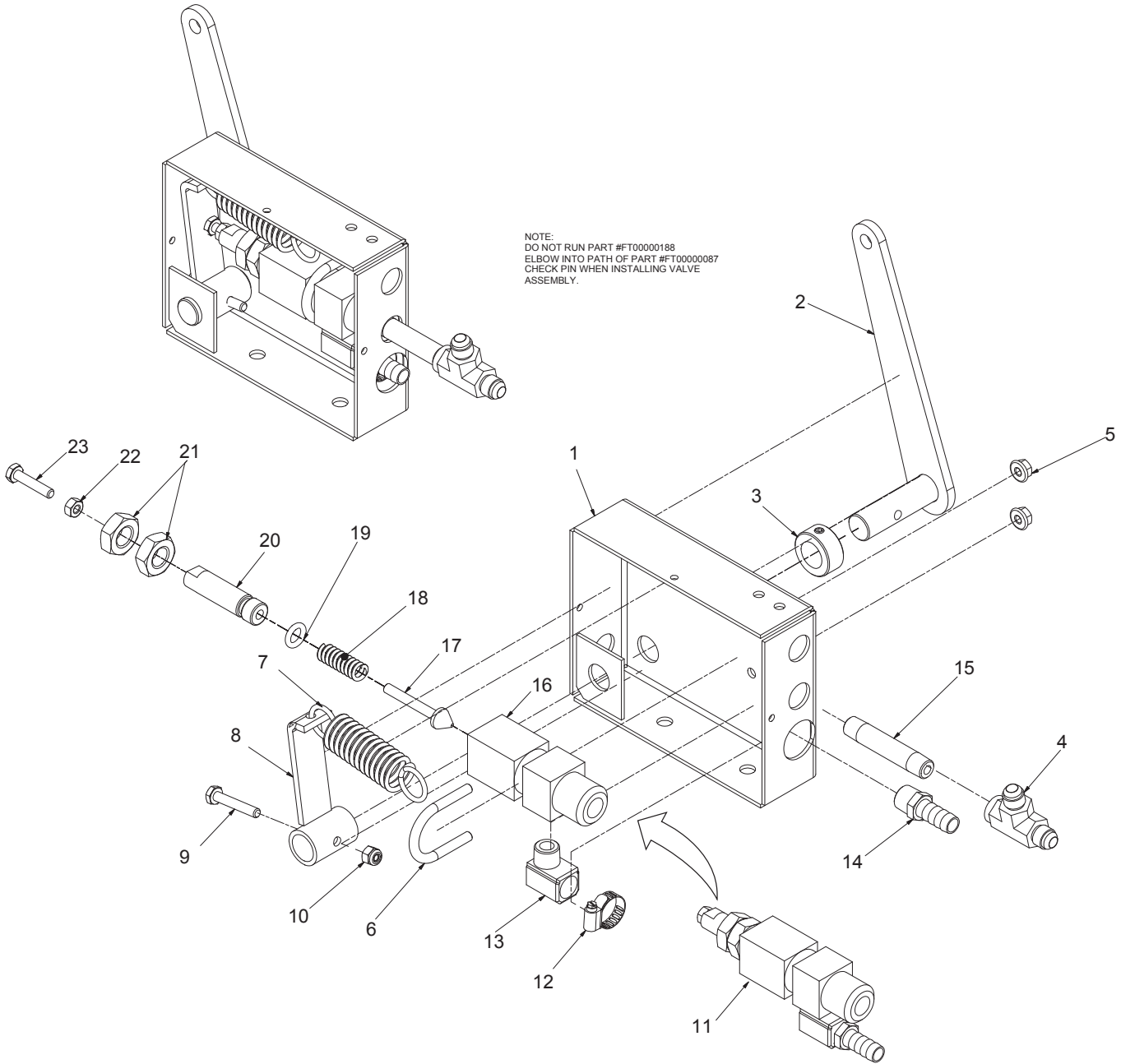
**TENSION CONTROL PUMP ASSEMBLY**



## TENSION CONTROL PUMP ASSEMBLY

REF NO.	PART NO.	DESCRIPTION	QTY. USED
	<b>FT00015049</b>	<b>PUMP/TANK ASSEMBLY</b>	
1	HYD0068030	. FITTING	1
2	HYD0069033	. FITTING	1
3	15280	. FITTING	1
4	209452	. FITTING	1
8	00273802	. NUT	4
9	223655	. CAPSCREW	8
11	903651	. TANK, CONTROL	1
12	903653	. TUBE ASSEMBLY	1
13	WAS0725002	. WASHER, COPPER	4
16	903642	. COVER	1
17	FT00000193	. COUPLER	1
18	209752	. FITTING	1
20	FT00000546	. FILTER, PUMP	1
21	FT00000547	. CONTROL, PUMP	1
22	FT00000548	. GASKET	1
23	FT00000549	. FITTING	2
24	FT00000553	. WASHER	1
26	F000008198	. GASKET F/AUTO LUBER TANK	1
27	903652	. TUBE, FILTER LINE	1
28	214479	. SEAL	4

**BYPASS BOX ASSEMBLY**

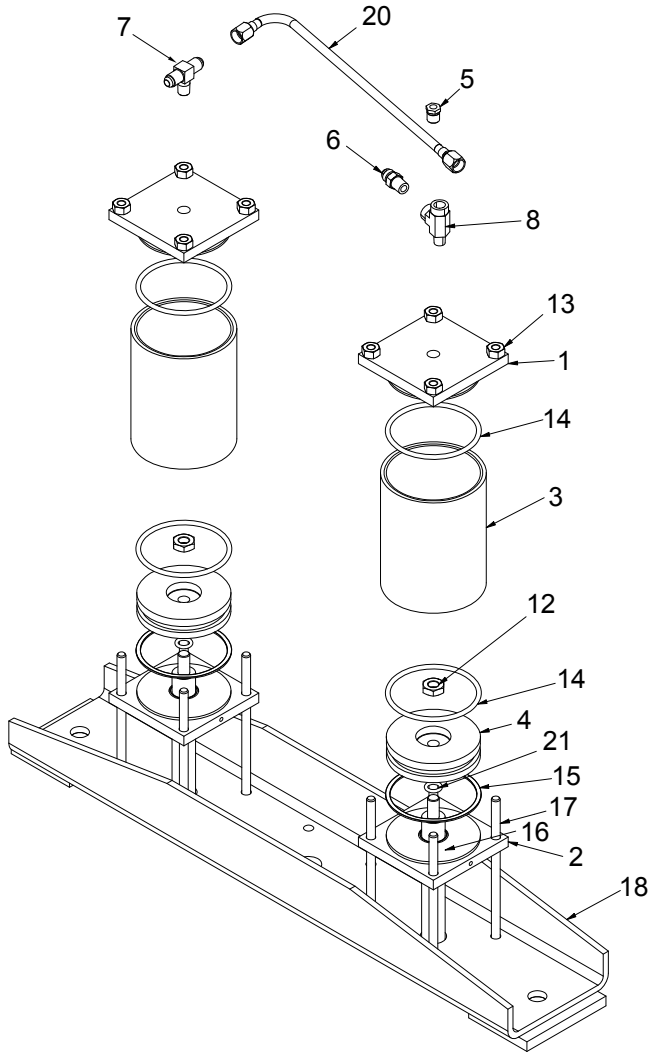




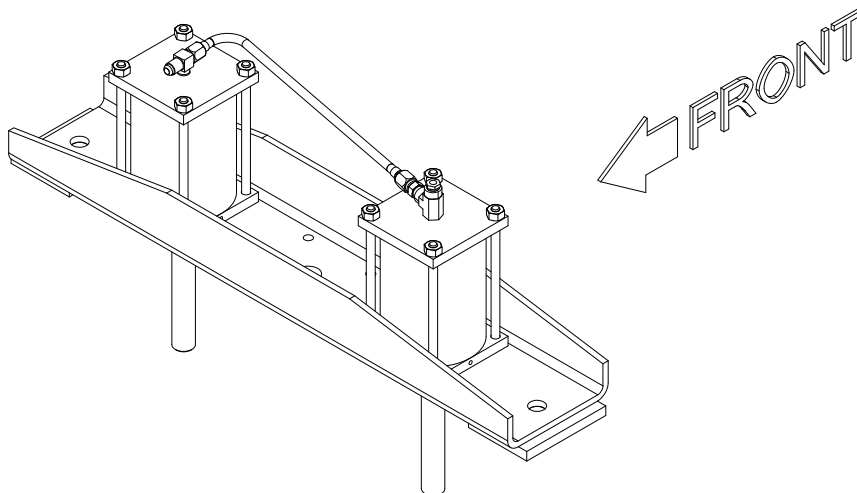
## BYPASS BOX ASSEMBLY

REF NO.	PART NO.	DESCRIPTION	QTY. USED
	<b>FT00000192</b>	<b>BYPASS BOX ASSEMBLY</b>	
1	FT00000194	. BOX, BYPASS	1
2	ARM0033234	. ARM	1
3	F000000172	. SET COLLAR	1
4	FT00000224	. TEE, FEMALE	1
5	09416918	. NUT	2
6	FT00000058	. U-BOLT	1
7	SPG0013399	. SPRING, TENSION CONTROL	1
8	FT00000245	. LEVER	1
9	09413502	. CAPSCREW	1
10	235620	. NUT	1
11	FT00000280	. BYPASS ASSEMBLY, COMPLETE	1
12	FT00000252	.. CLAMP	1
13	FT00000188	.. ELBOW	1
14	FT00000193	.. COUPLER	1
15	FT00000223	.. NIPPLE	1
16	FT00000184	.. VALVE ASSEMBLY	1
17	FT00000087	.. PIN	1
18	SPG0013400	.. SPRING, BYPASS CHECK PIN	1
19	FT00000053	.. O-RING	1
20	FT00000054	.. PLUNGER	1
21	FT00000055	.. NUT	2
22	221703W	.. NUT	1
23	R13801782	.. CAPSCREW	1

### TENSION CONTROL DUAL 4" RAM



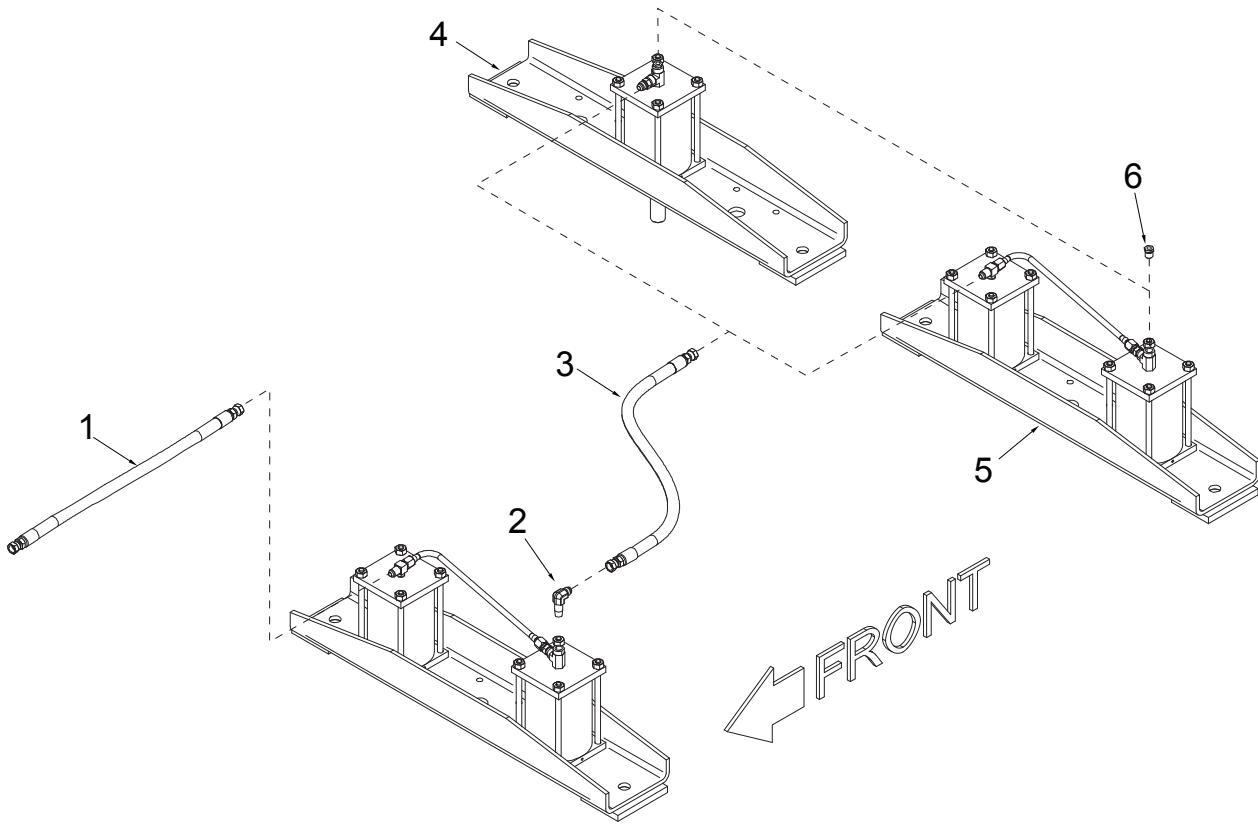
NOTE: USE LOCTITE 242 ON ALL BOLT THREADS  
USE LOCTITE 569 ON ALL PIPE FITTINGS



## TENSION CONTROL DUAL 4" RAM

REF NO.	PART NO.	DESCRIPTION	QTY. USED
	<b>FT00000277</b>	<b>RAM ASSEMBLY, DUAL</b>	
1	CYL0013276	. PLATE, CYLINDER HEAD	2
2	CYL0013277	. BASE PLATE, TENSION CYL.	2
3	CYL0013278	. BARREL, TENSION CYLINDER	2
4	CYL0013279	. PISTON, TENSION CYLINDER	2
5	209512	. FITTING	1
6	209754	. FITTING	1
7	FT00000220	. FITTING	1
8	225105	. FITTING	1
12	NEJ0005000	. NUT	2
13	223453	. NUT	8
14	RNG0002342	. O-RING, TENSION CYL.	4
15	Y076800-342	. BACKUP RING	2
16	ROD0013505	. PISTON ROD, TENSION CYLINDER	2
17	SFC0000321	. CAPSCREW	8
18	TNS0013280	. RAM FRAME, 3-TIE TENSION	1
20	FT00000216	. TUBE ASSEMBLY	1
21	2305351W	. O-RING	2

TENSION CONTROL RAM ASSEMBLIES OPTIONAL TANDEM



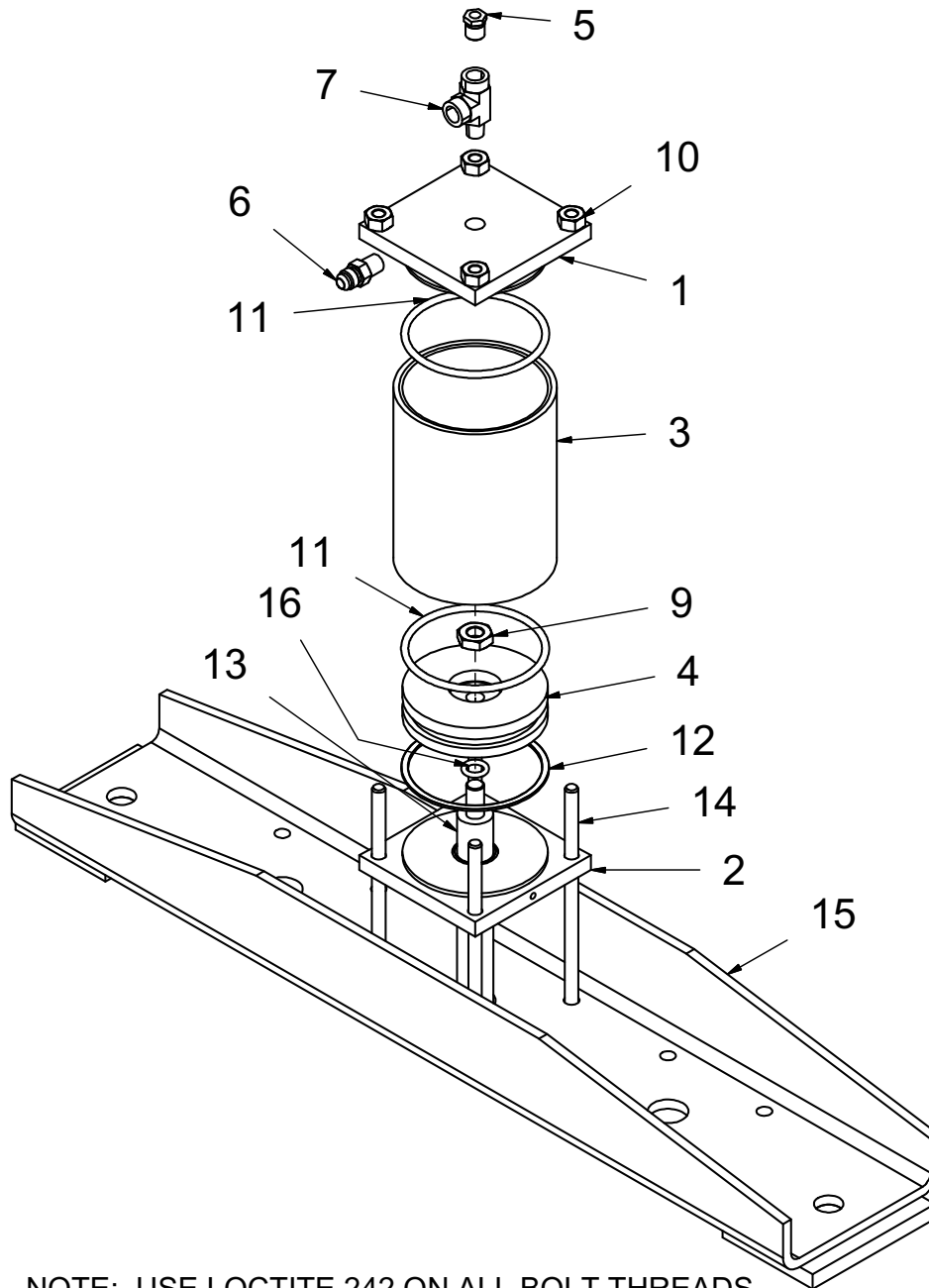
---

**TENSION CONTROL RAM ASSEMBLIES OPTIONAL TANDEM**

<b>REF NO.</b>	<b>PART NO.</b>	<b>DESCRIPTION</b>	<b>QTY. USED</b>
1	FT00000221	HOSE ASSY	1
2	209409	FITTING	AR
3	HOS0022950	HOSE ASSY	AR
4	FT00000282	RAM ASSY, SINGLE; 3-TIE	AR
5	FT00000277	RAM ASSY, DUAL; 3-TIE	AR
6	209512	FITTING	AR

AR - AS REQUIRED

## TENSION CONTROL SINGLE RAM

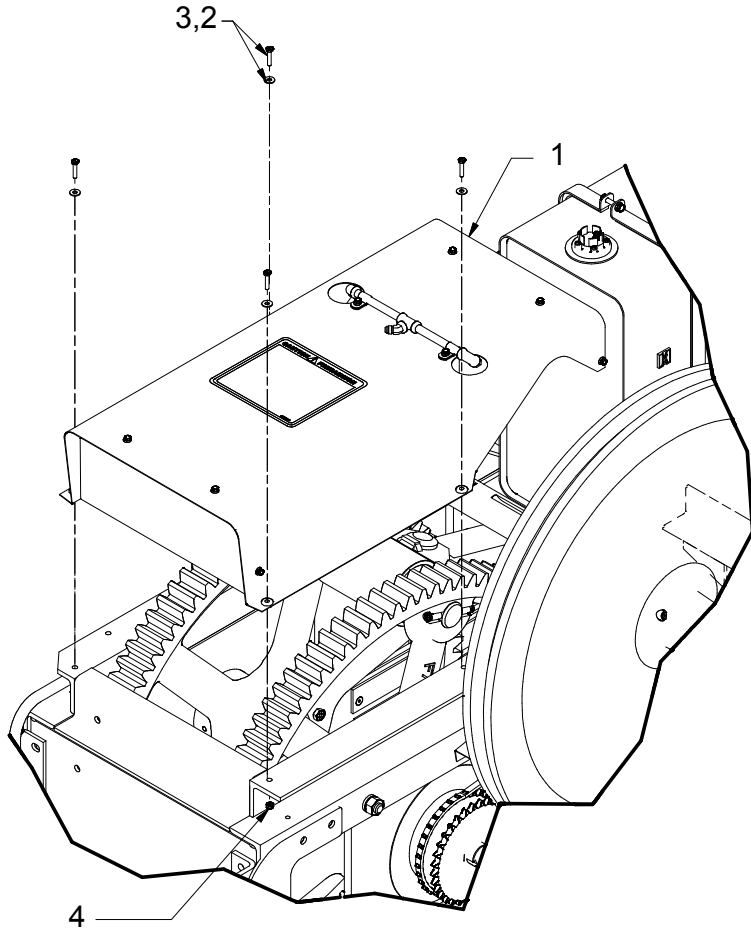


NOTE: USE LOCTITE 242 ON ALL BOLT THREADS.  
USE LOCTITE 569 ON LL PIPE FITTINGS.

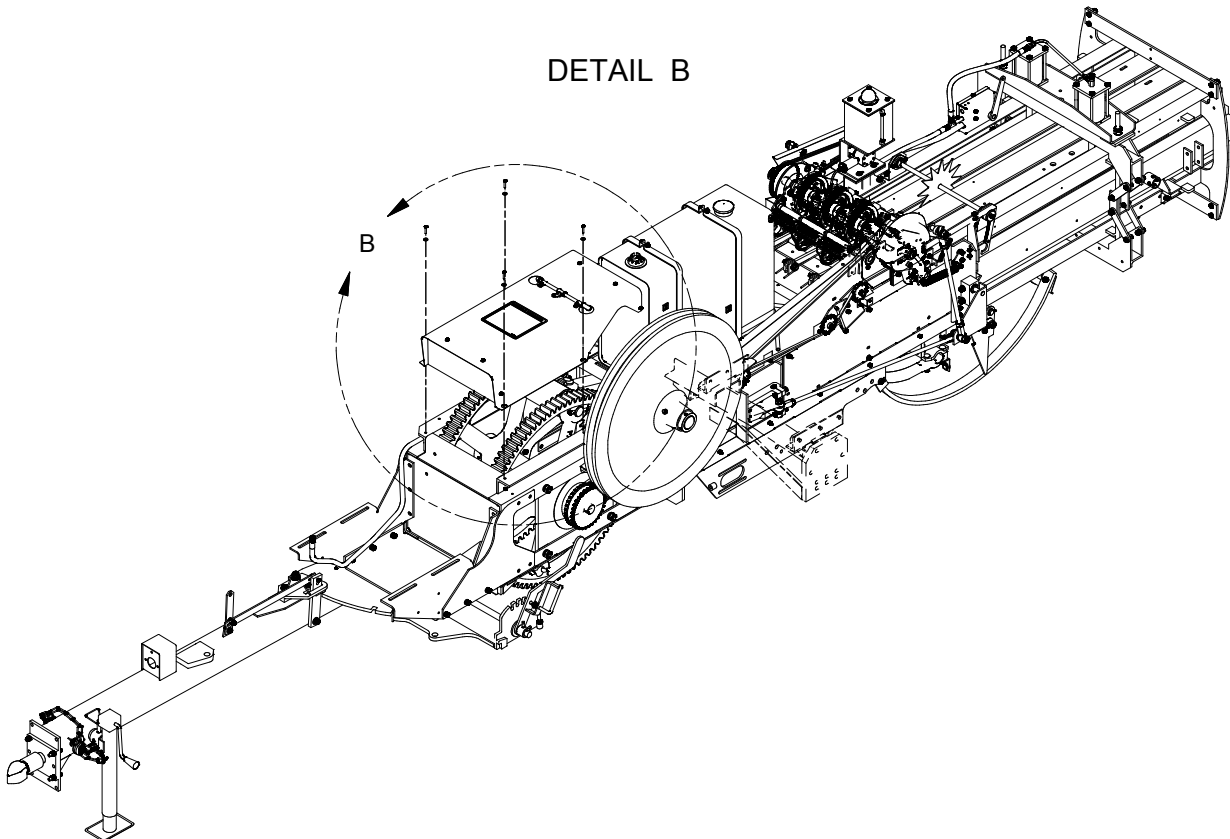
## TENSION CONTROL SINGLE RAM

REF NO.	PART NO.	DESCRIPTION	QTY. USED
	<b>FT00000282</b>	<b>RAM ASSEMBLY, SINGLE</b>	
1	CYL0013276	. PLATE, CYLINDER HEAD	1
2	CYL0013277	. BASE PLATE, TENSION CYL.	1
3	CYL0013278	. BARREL, TENSION CYLINDER	1
4	CYL0013279	. PISTON, TENSION CYLINDER	1
5	209512	. FITTING	1
6	209754	. FITTING	1
7	225105	. FITTING	1
9	NEJ0005000	. NUT	1
10	223453	. NUT	4
11	RNG0002342	. O-RING, TENSION CYL.	2
12	Y076800-342	. BACKUP RING	1
13	ROD0013505	. PISTON ROD, TENSION CYLINDER	1
14	SFC0000321	. CAPSCREW	4
15	TNS0013280	. RAM FRAME, 3-TIE TENSION	1
16	2305351W	. O-RING	1

**BULLGEAR SHIELD INSTALLATION**



DETAIL B



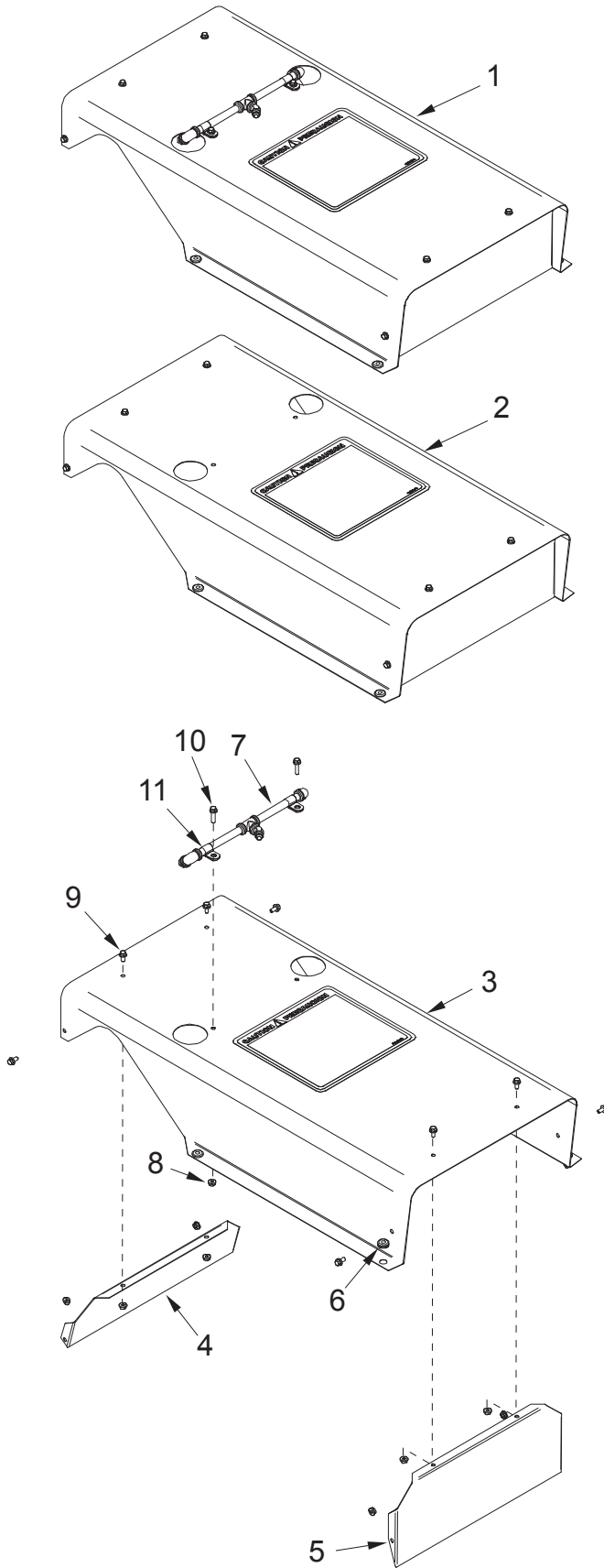


---

## BULLGEAR SHIELD INSTALLATION

REF NO.	PART NO.	DESCRIPTION	QTY. USED
1	SHD0086480	SHIELD ASSEMBLY	1
2	18466W	CAPSCREW	4
3	R13802619	WASHER	4
4	R13811189	LOCKNUT	4

**BULLGEAR SHIELD ASSEMBLY**

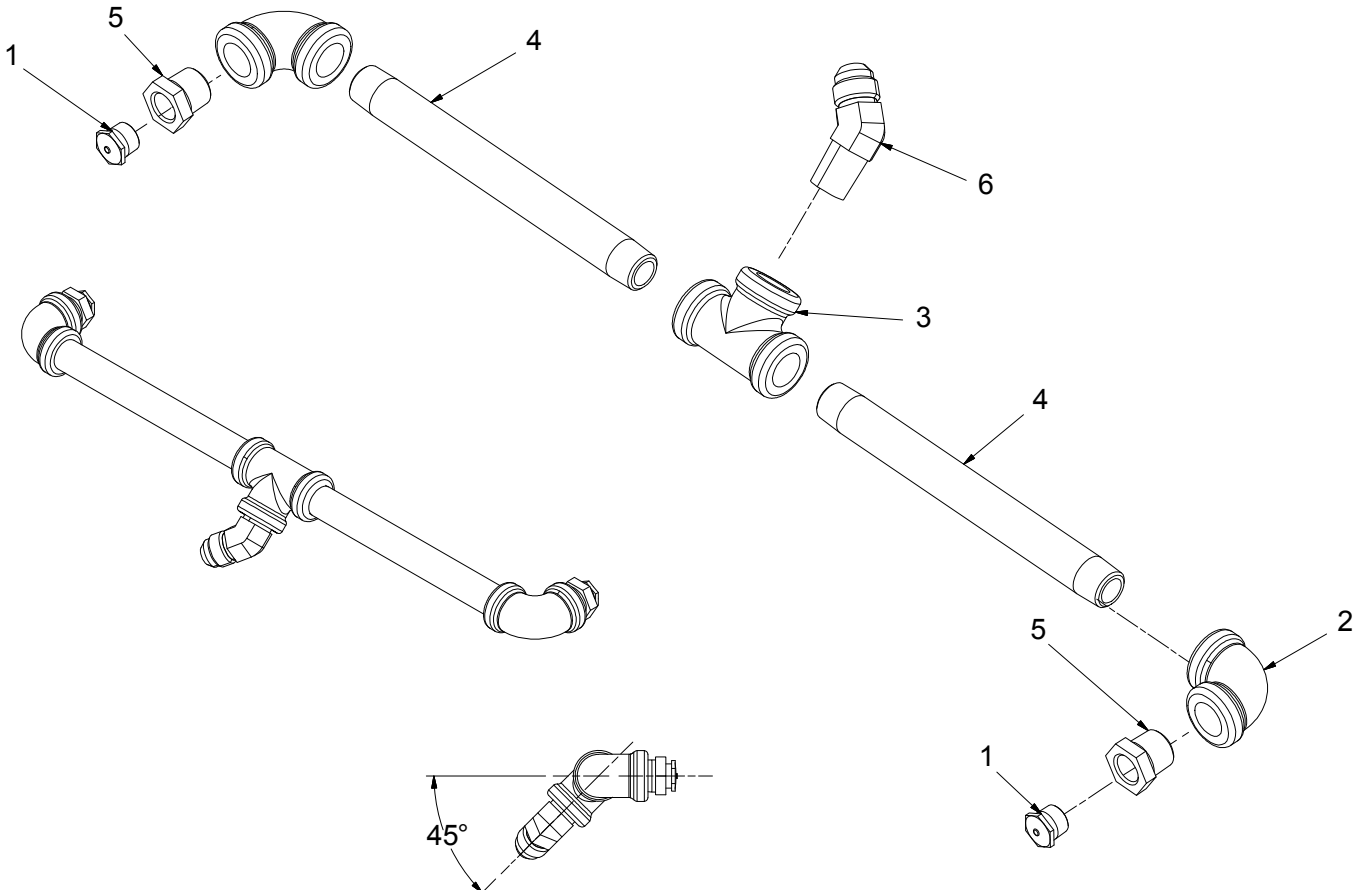


## BULLGEAR SHIELD ASSEMBLY

REF NO.	PART NO.	DESCRIPTION	QTY. USED
1	904024	SHIELD ASSY BULLGEAR W/LUBER	1
2	904025	. SHIELD ASSY BULLGEAR AND DECAL	1
3	903474	. SHIELD & DECAL,BULLGEAR	1
	FD00023473	. . DECAL;B; CAUTION..... (9 1/4 X 10)	1
4	F00008148	. PLATE,SHIELD BACK	1
5	SHD0008028	. PLATE,SHIELD FRONT	1
6	F000007550	. GROMMET F/BULL GEAR SHIELD	4
7 *	LUB0070328	. MANIFOLD ASSY;*B; BULLGR LUBER	1
8	R13811189	. NUT, LOCK	6
9	SMS0000173	. BOLT, WHIZ	8
10	SMS0000305	. BOLT, WHIZ	2
11	209578	. CLAMP	2

\* SEE PAGE 77

**BULLGEAR LUBER MANIFOLD ASSEMBLY (ENGINE BALER)**

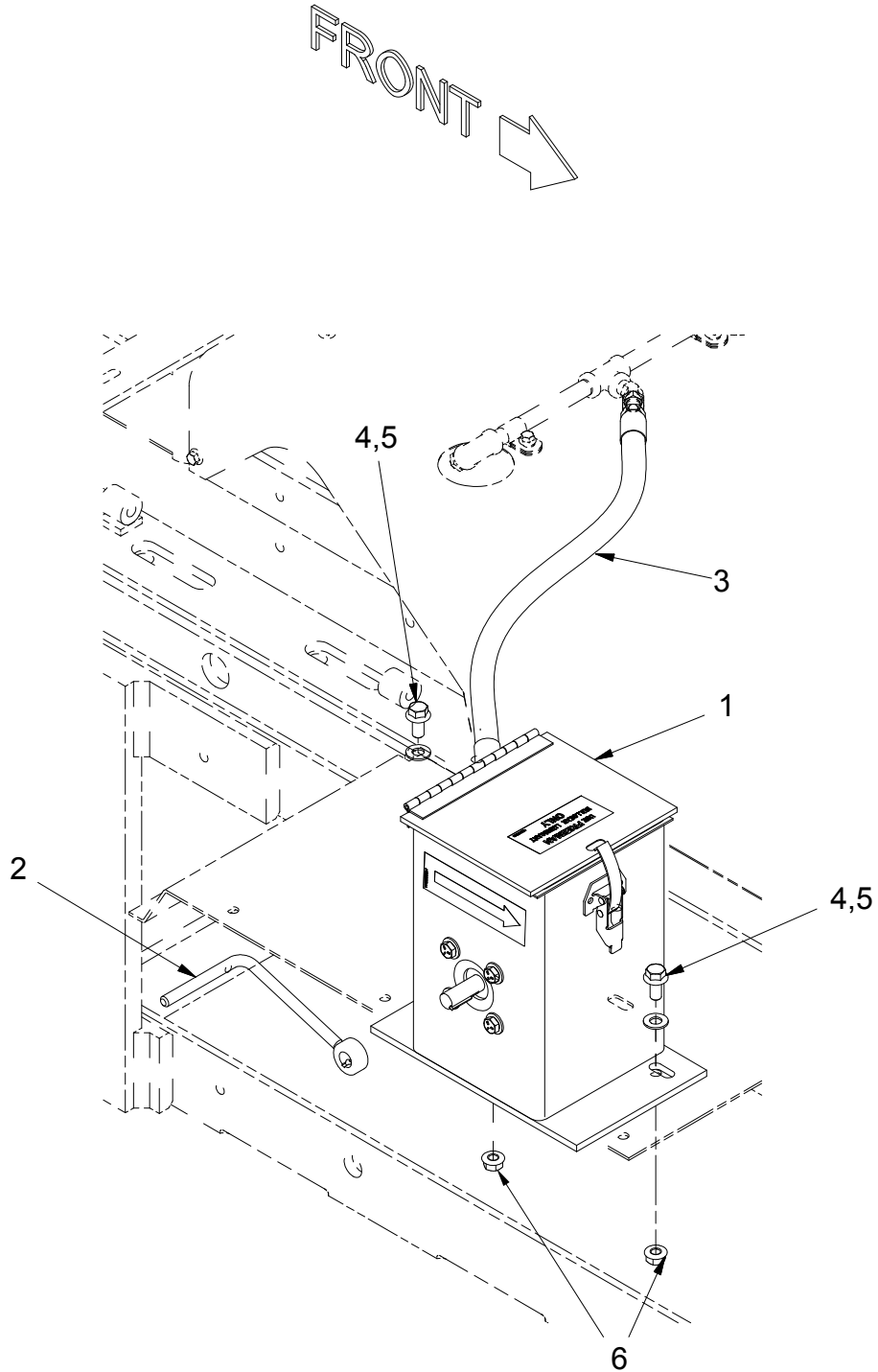


---

**BULLGEAR LUBER MANIFOLD ASSEMBLY (ENGINE BALER)**

REF NO.	PART NO.	DESCRIPTION	QTY. USED
	<b>LUB0070328</b>	<b>MANIFOLD ASSEMBLY</b>	
1	LUB0323060	. FITTING, PRESSURE	2
2	PPE0014000	. ELBOW, PIPE	2
3	PPE0040250	. TEE, PIPE	1
4	PPE2505000	. NIPPLE	2
5	209500	. FITTING	2
6	209794	. FITTING	1

**BULLGEAR LUBER INSTALLATION**



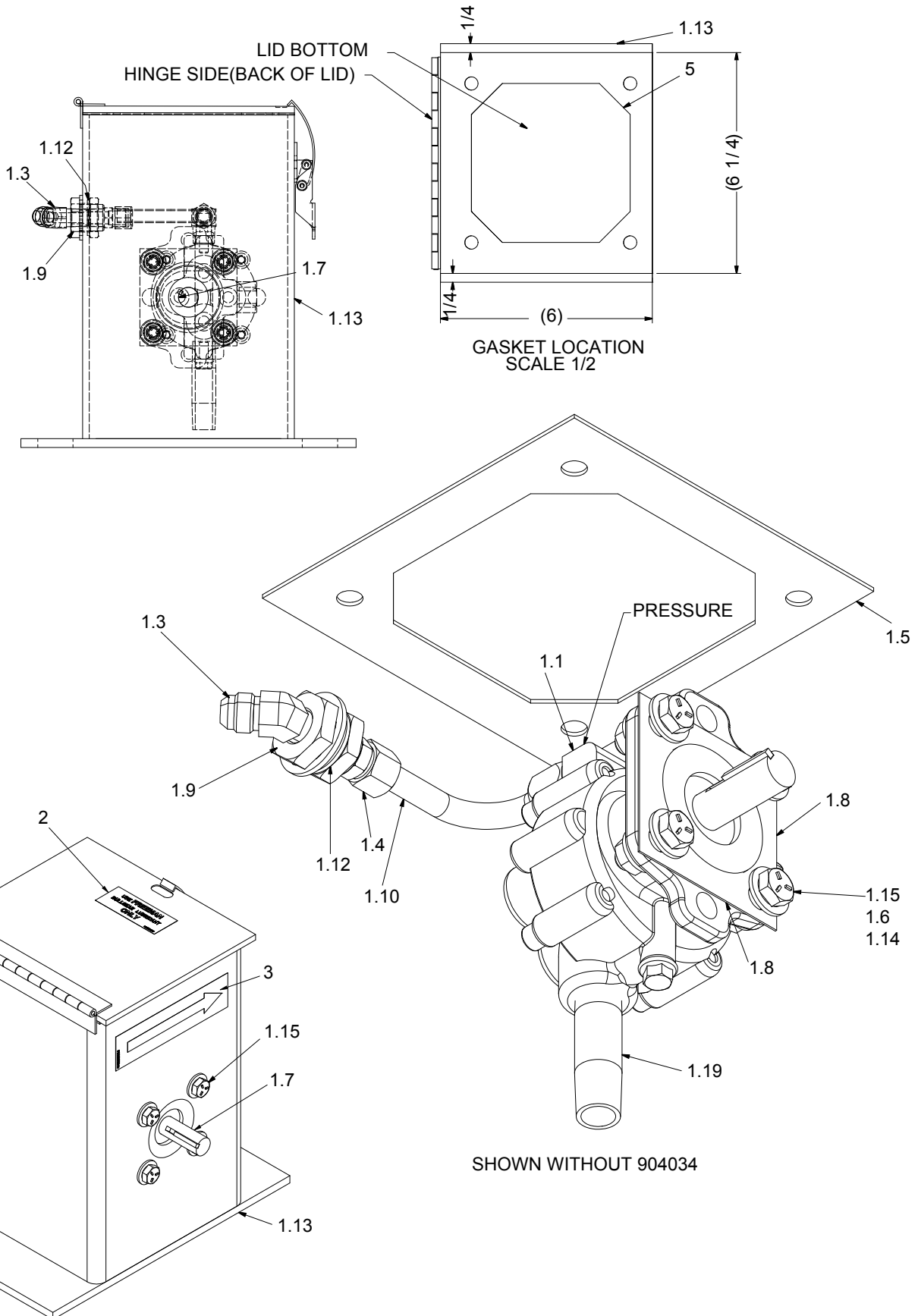
# BULLGEAR LUBER INSTALLATION

REF NO.	PART NO.	DESCRIPTION	QTY. USED
	<b>902827</b>	<b>TANK INSTALLATION</b>	
1	LUB0007600	. TANK & PUMP ASSEMBLY, LUBER	1
2	CRA0013775	. HANDLE	1
3 *	-----	. HOSE ASSEMBLY	1
4	134803W	. SCREW	2
5	223427	. WASHER	2
6	09411507	. NUT	2

\* See Chart

HOSE ASSEMBLY	ITEM 3
ENGINE	224073
HYDRO	R12565833

**BULLGEAR TANK AND PUMP ASSEMBLY**



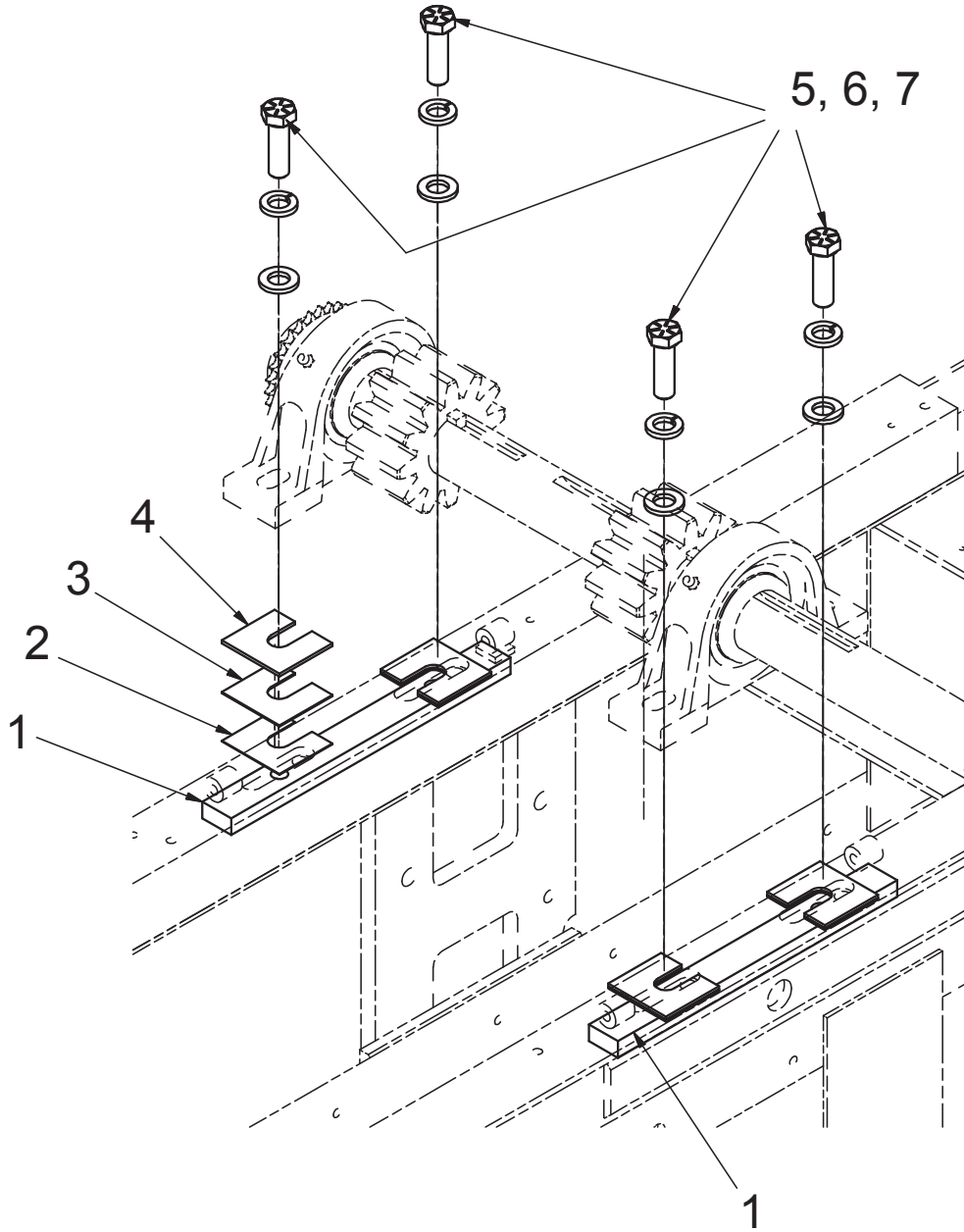


---

**BULLGEAR TANK AND PUMP ASSEMBLY**

REF NO.	PART NO.	DESCRIPTION	QTY. USED
	<b>903327</b>	<b>TANK &amp; DECAL, BULLGEAR LUBER</b>	
<b>1</b>		. TANK & PUMP ASSEMBLY, LUBER	
<b>1.1</b>	HYD0069033	.. FITTING	1
<b>1.3</b>	209794	.. FITTING	1
<b>1.4</b>	HYD0068030	.. FITTING	1
<b>1.5</b>	903811	.. GASKET	1
<b>1.6</b>	WAS0725002	.. WASHER, COPPER	4
<b>1.7</b>	FT00000547	.. CONTROL, PUMP	1
<b>1.8</b>	FT00000548	.. GASKET	1
<b>1.9</b>	FT00000549	.. FITTING	1
<b>1.10</b>	903646	.. TUBE	1
<b>1.12</b>	FT00000553	.. WASHER	1
<b>1.13</b>	904034	.. LUBER TANK W/DECALS	1
<b>1.14</b>	00273802	.. NUT	4
<b>1.15</b>	18497W	.. CAPSCREW	4
<b>1.19</b>	PPE3752500	.. NIPPLE	1
<b>2</b>	FD00000020	. DECAL; USE FREEMAN BULLGEAR..	1
<b>3</b>	FD00000044	. DECAL; DIRECTION ARROW	1

**PINION SHAFT INSTALLATION**



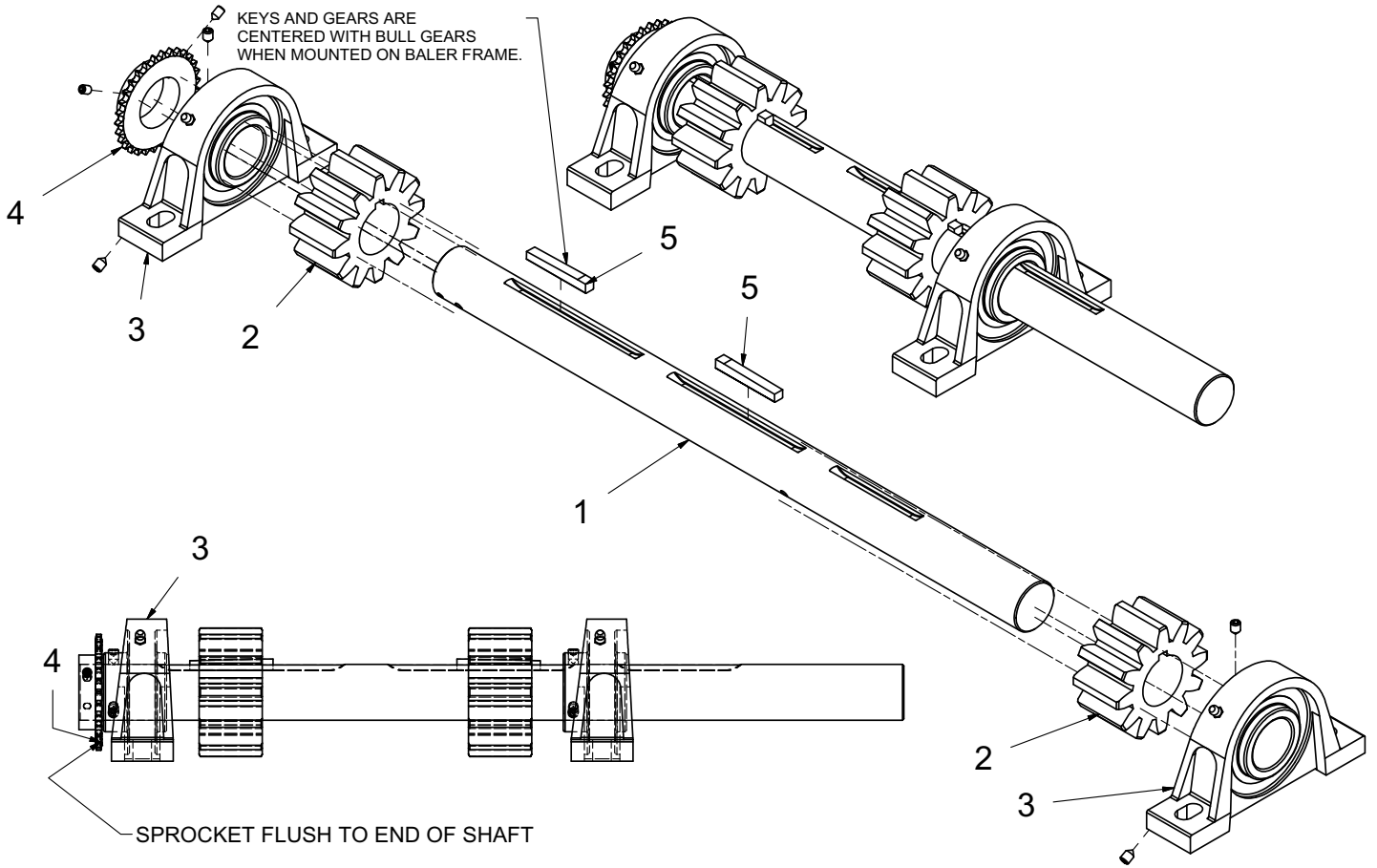
---

## PINION SHAFT INSTALLATION

REF NO.	PART NO.	DESCRIPTION	QTY. USED
1	BAR0007975	ANCHOR BAR, PINION BEARING	2
2	SHM0800400	SHIM, PINION 20GA	AR
3	SHM0800401	SHIM, PINION 16 GA	AR
4	SHM0800402	SHIM, PINION 10 GA	AR
5	221657W	CAPSCREW	4
6	R13812518	WASHER	4
7	R13811457	WASHER	4

AR - AS REQUIRED

**PINION SHAFT SUB ASSEMBLY**

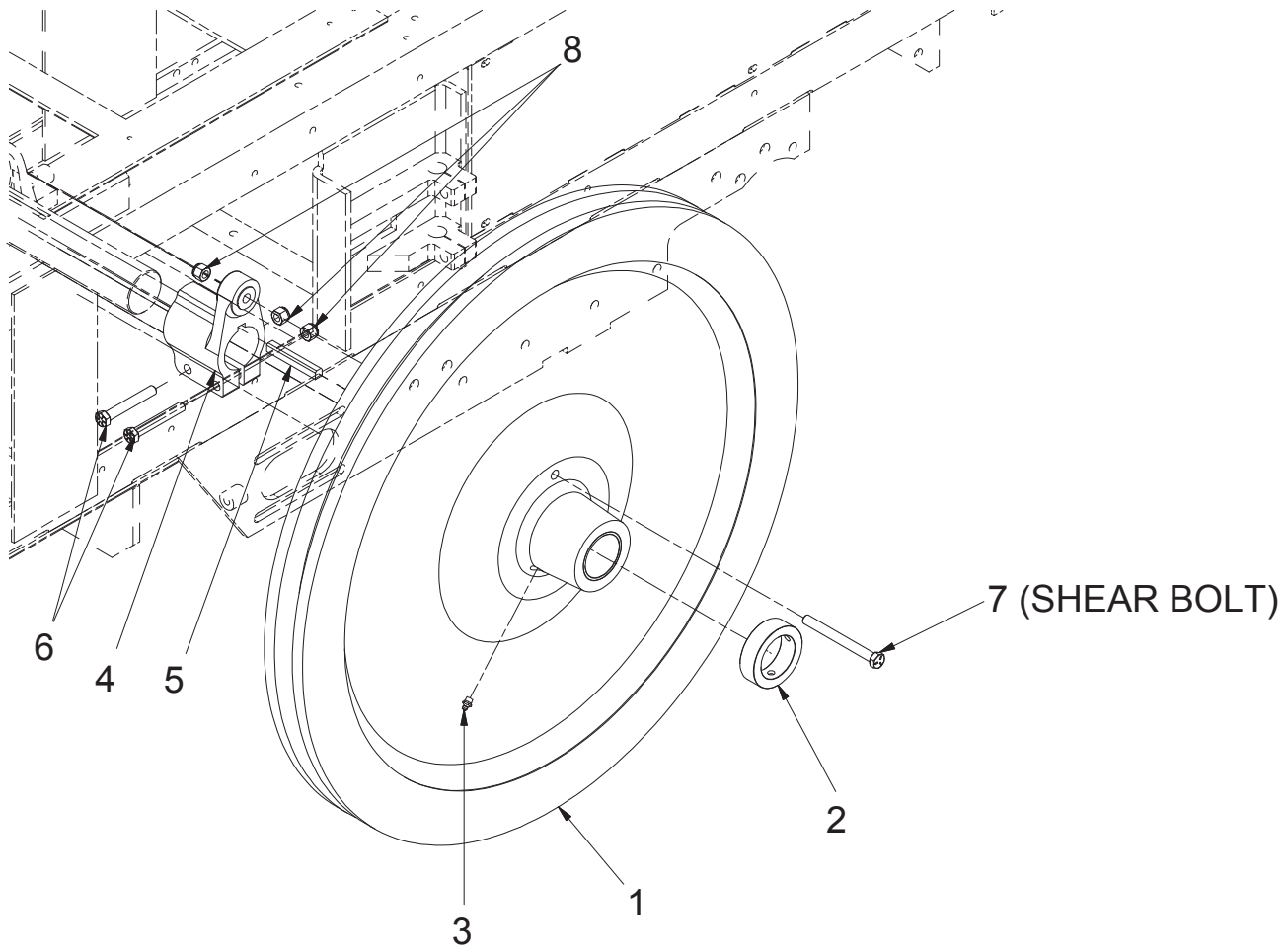


---

## PINION SHAFT SUB ASSEMBLY

REF NO.	PART NO.	DESCRIPTION	QTY. USED
1	SHF0007132	SHAFT, PINION	1
2	GER0007128	PINION GEAR	2
3	BRG0076523	PINION BRG & HSNG	2
4	SPK0004030	SPROCKET, PINION SHAFT	1
5	F000007488	KEY	2

**FLYWHEEL INSTALLATION**

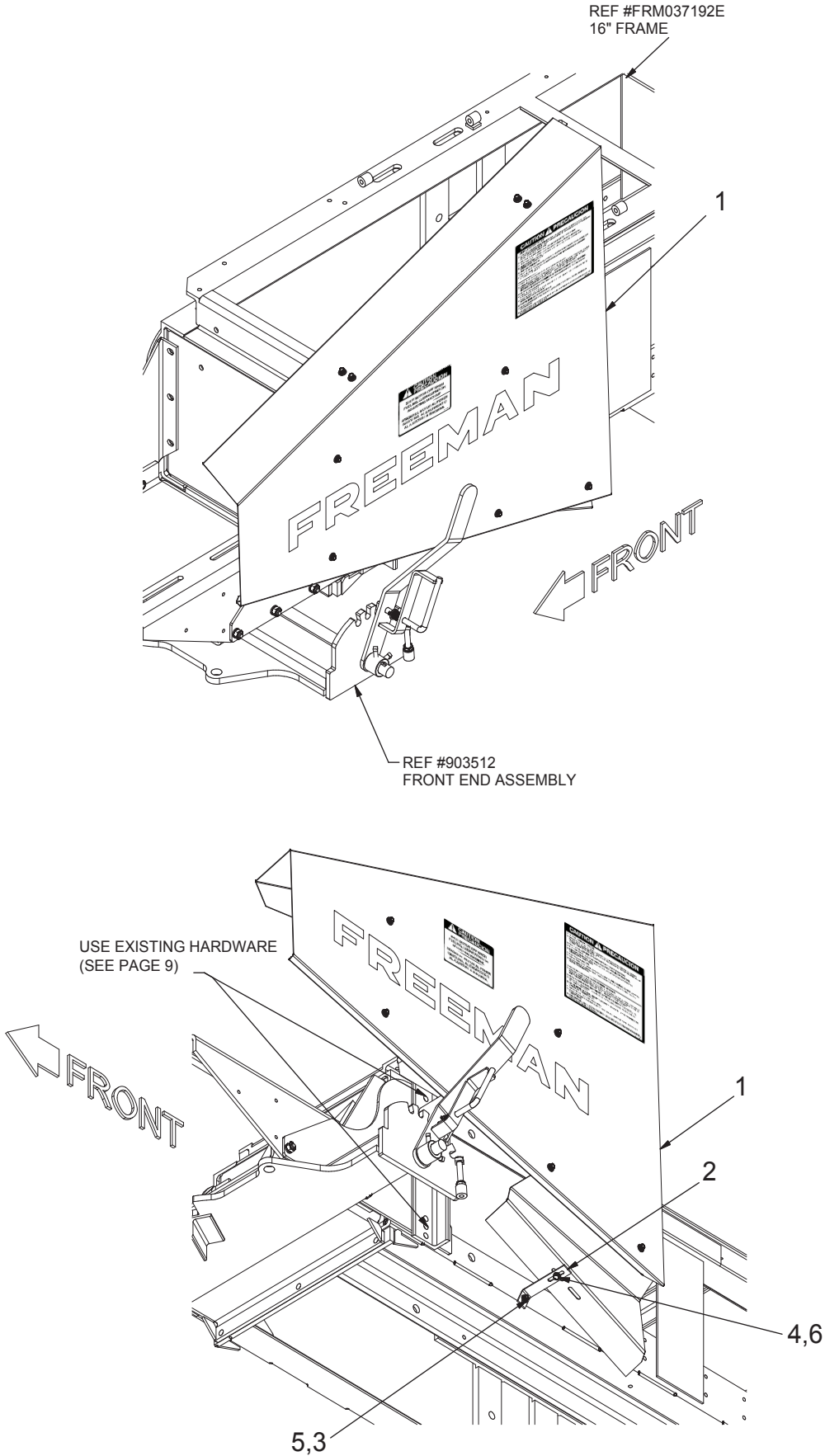


---

## FLYWHEEL INSTALLATION

REF NO.	PART NO.	DESCRIPTION	QTY. USED
1	FLW0007127	. FLYWHEEL ASSY	1
	BSH0001614	. . FLYWHEEL SHEAR BUSHING	1
	BSH0007127	. . 2-7/16" FLYWHEEL BUSHING-PAIR	1
2	ZZ000002008	SET COLLAR W/SCREWS	1
3	00191758	FITTING	1
4	HUB0007157	SHEAR HUB ASSY	1
	DRW0003977	. BUSHING	1
5	F000000072	KEY	1
6	R13811083	CAPSCREW	2
7	18596W	CAPSCREW (SHEAR BOLT) <b>GR5</b>	1
8	223587	NUT	3

## FLYWHEEL SHIELD INSTALLATION (ENGINE BALER)



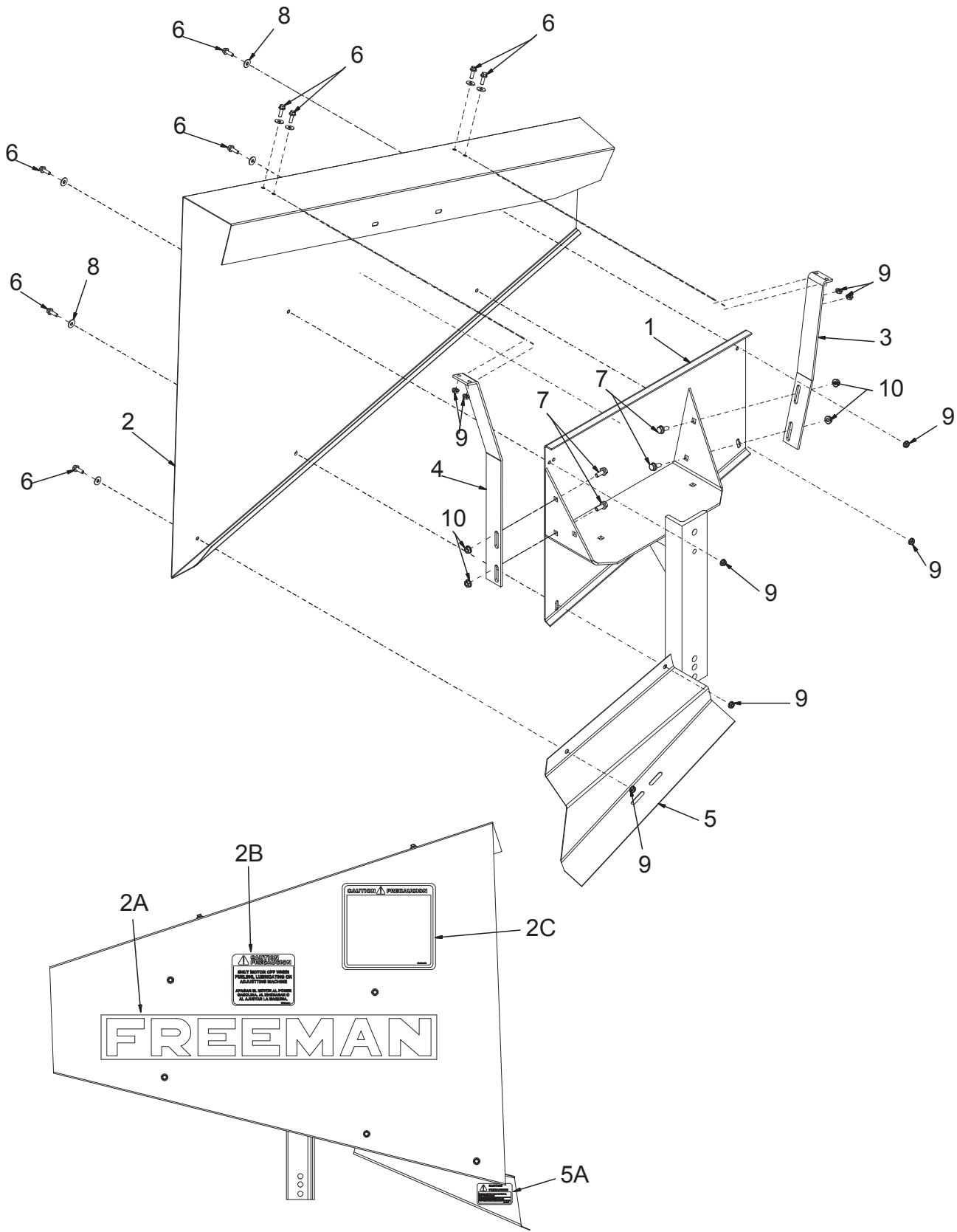


---

**FLYWHEEL SHIELD INSTALLATION (ENGINE BALER)**

<b>REF NO.</b>	<b>PART NO.</b>	<b>DESCRIPTION</b>	<b>QTY. USED</b>
1	902240	SHIELD SUB ASSEMBLY, BELT	1
2	903790	BRACKET, -MOUNTING	1
3	SMS0000173	BOLT, WHIZ	1
4	SMS0000184	BOLT, WHIZ	1
5	R13812512	LOCKWASHER	1
6	00273802	NUT	1

### FLYWHEEL BELT SHIELD (ENGINE BALER)

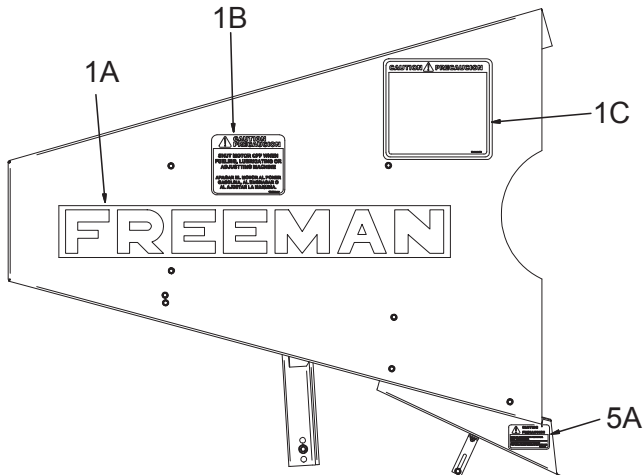
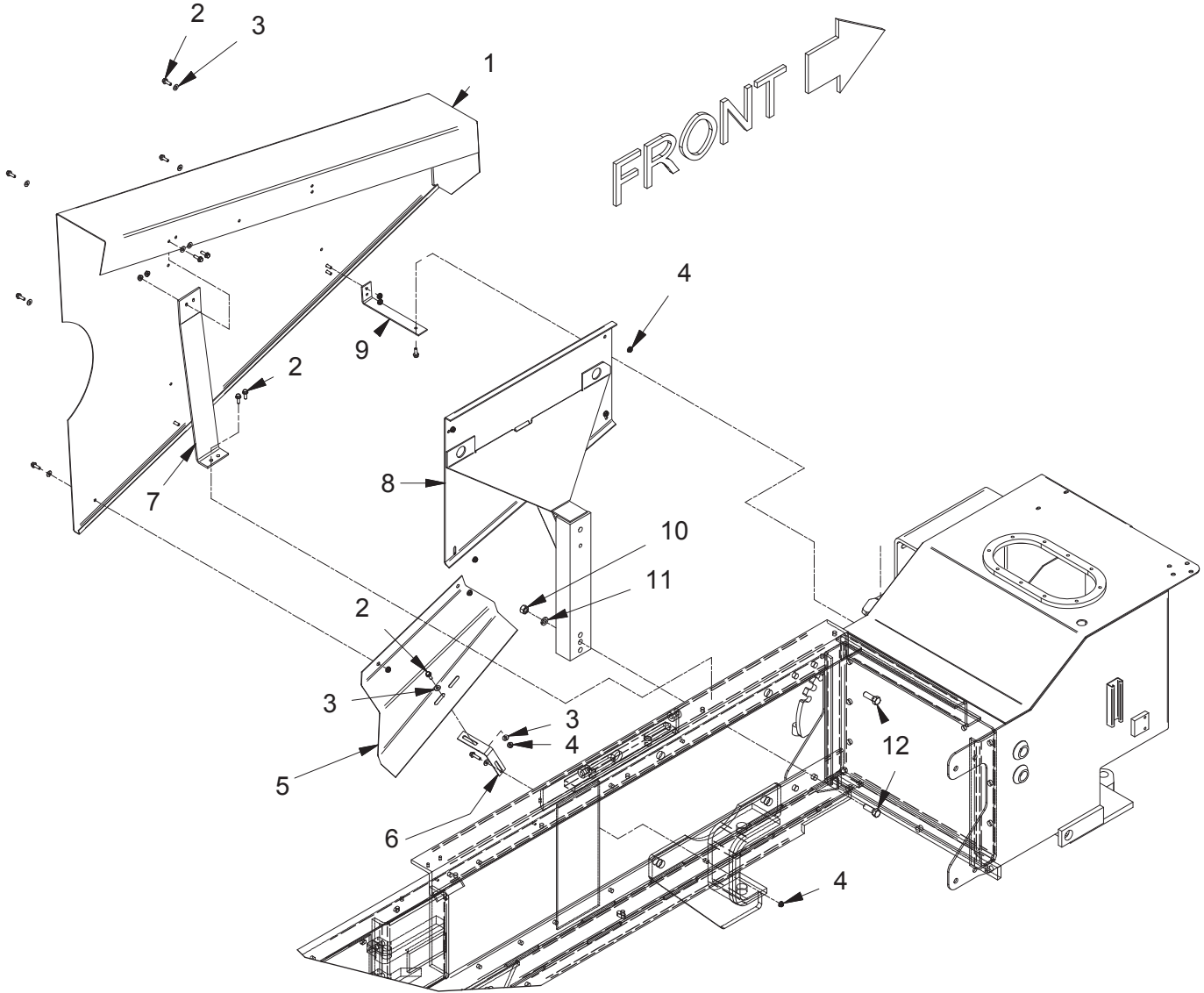


---

**FLYWHEEL BELT SHIELD (ENGINE BALER)**

<b>REF NO.</b>	<b>PART NO.</b>	<b>DESCRIPTION</b>	<b>QTY. USED</b>
1	BKT0017814	BRACKET	1
2	903175	DRIVE BELT SHIELD W/DECALS	1
2A	FD00007114	. DECAL, FREEMAN	1
2B	FD00023581	. DECAL, CAUTION SHUT OFF MOTOR	1
2C	FD00023473	. DECAL, CAUTION	1
3	BRC0025469	PLATE, FRONT	1
4	BRC0028437	PLATE, REAR	1
5	903281	SHIELD EXTENSION	1
5A	FD00023572	. DECAL; CAUTION	1
6	399741W	SCREW	9
7	SMS0000184	BOLT, WHIZ	4
8	R13811443	WASHER	9
9	09416918	NUT	9
10	00273802	NUT	4

**FLYWHEEL BELT SHIELD (HYDRO BALER)**

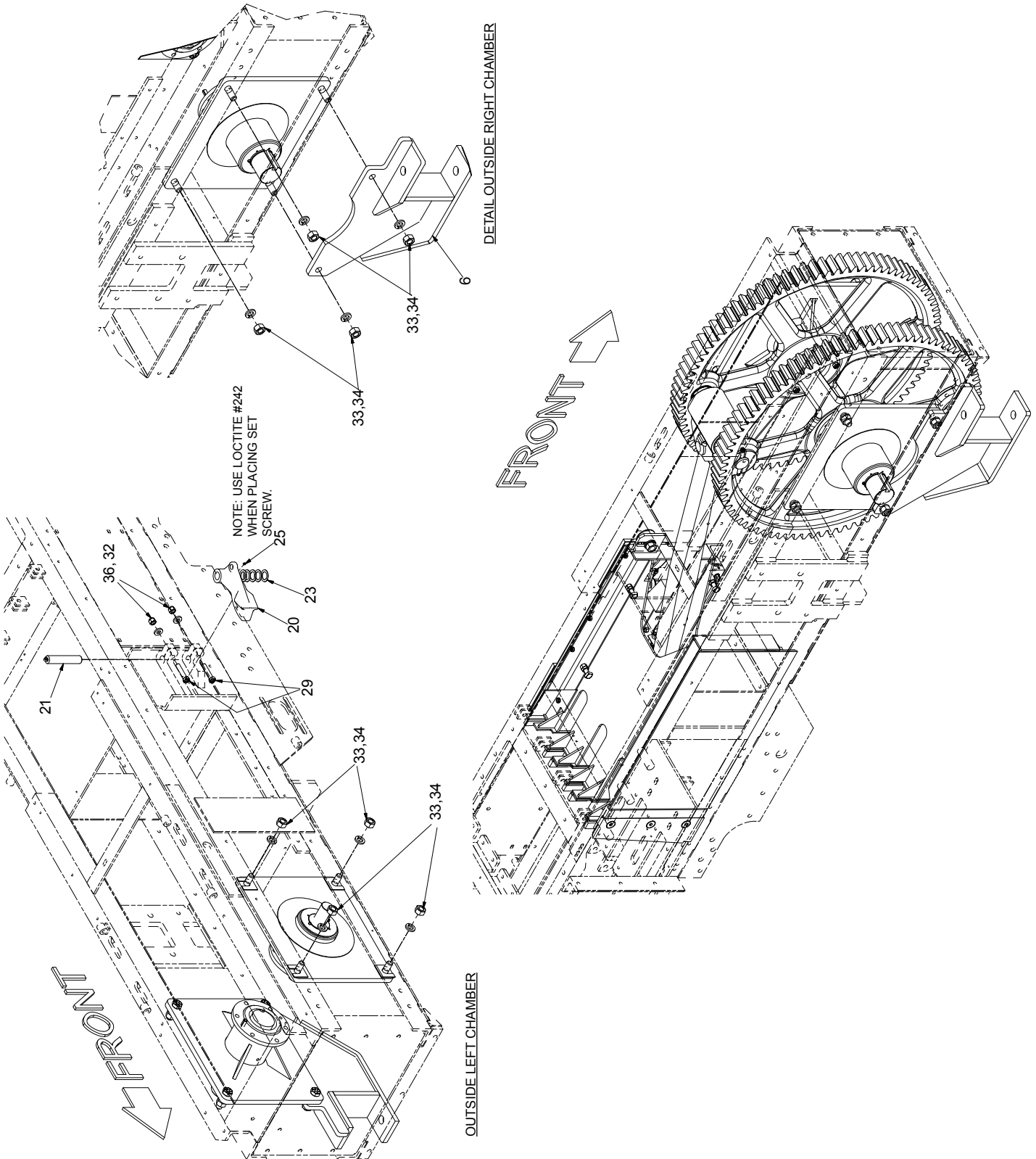


## FLYWHEEL BELT SHIELD (HYDRO BALER)

REF NO.	PART NO.	DESCRIPTION	QTY. USED
1	903276	DRIVE BELT SHIELD HYD	1
1A	FD00007114	. DECAL, FREEMAN	1
1B	FD00023581	. DECAL, CAUTION SHUT OFF MOTOR	1
1C	FD00023473	. DECAL, CAUTION	12
2	399741W	SCREW	9
3	R13811443	WASHER	9
4	09416918	NUT	9
5	SHD0011063	BELT SHIELD EXTENSION-HYD & ENG	1
6	BKT0011131	BRACKET-HYD & ENG	1
7	902440	BRACKET-HYD	1
8	901725	BRACKET, BELT SHIELD -HYD	1
9	902403	BRACKET, SUPPORT-HYD	1
10	234921	NUT	2
11	234665	WASHER	2
12	050X015C8	CAPSCREW	2

# BULLGEAR/PLUNGER INSTALLATION

(1 OF 2)



## BULLGEAR/PLUNGER INSTALLATION

REF NO.	PART NO.	DESCRIPTION	QTY. USED
	<b>903535</b>	<b>BULLGEAR/PLUNGER INSTL;16"-15"</b>	
	<b>903382</b>	<b>BULLGEAR/PLUNGER INSTL;16"-14"</b>	
	<b>902103</b>	<b>BULLGEAR/PLUNGER INSTL ;16"</b>	
1 *	-----	PLUNGER ASSEMBLY	1
2	PLT0163040	SIDE PLATE ASSEMBLY, LH	1
3	PLT0163070	SIDE PLATE ASSEMBLY, RH	1
4	F000007239	PIN, ROLL	1
5	F000007438	BULL GEAR	2
6	903503	BRACKET, DRAWBAR	1
12	F000001134	PIN, CRANK	1
13	SPC0033118	SPACER	4
14	SHM0163090	SHIM	AR
15	SHM0163091	SHIM	AR
16	SHM0163092	SHIM	AR
17	SHM0163093	SHIM	AR
20*	-----	DOG STOP, PLUNGER	1
21	PIN0035710	PIN ASSEMBLY	1
22	ZZ00000204	BUSHING	AR
23	ZZ00000209	BUSHING	AR
25	027-0933	SET SCREW	1
26	221706	BUSHING	AR
27	R13811027	CAPSCREW	2
28	221574W	CAPSCREW	12
29	221576W	CAPSCREW	2
30	221656W	CAPSCREW	5
31	R13806363	CAPSCREW	1
32	R13811433	WASHER	2
33	200608	WASHER	8
34	221717W	NUT	8
35	232939	NUT	2
36	223587	NUT	14
37	221660W	CAPSCREW	2

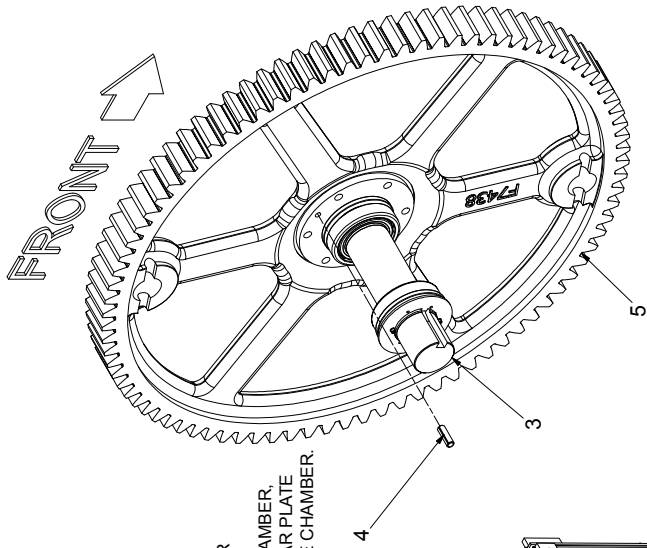
AR - AS REQUIRED \* See Chart

CHAMBER INST	ITEM 1	ITEM 20
903535	PLG3173600	DOG0018185
903382	900136	F000007547
902103	PLG3140200	F000007547

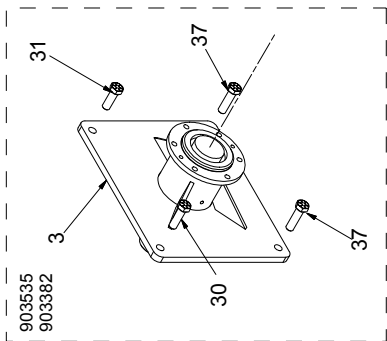
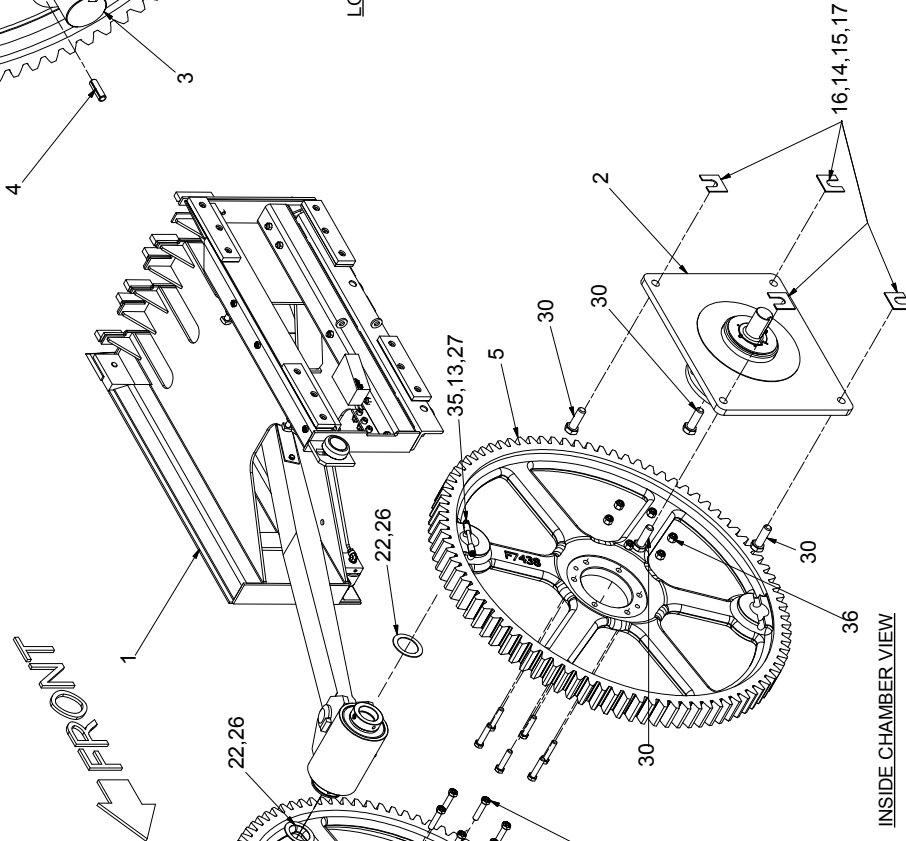
903535 REV 1/10 AB  
 903382 REV 1/10 AA  
 902103 REV 1/10 FC

**BULLGEAR/PLUNGER INSTALLATION**

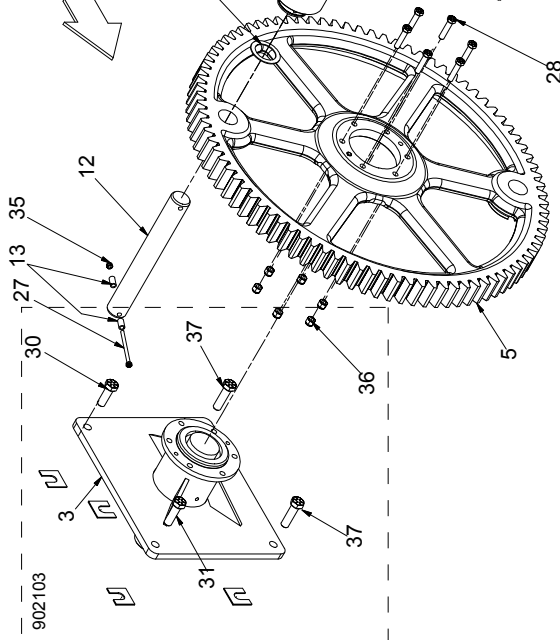
(2 OF 2)



NOTE:  
TO AVOID FEED ARM INTERFERENCE,  
THE ROLL PIN IN THE RIGHT HAND BULLGEAR  
IS PLACED SO THAT WHEN THE BULLGEAR IS  
IN THE UP (12 O'CLOCK) POSITION IN THE CHAMBER,  
THE KEYWAY OF THE SHAFT IN THE BULLGEAR PLATE  
IS FACED TO THE FRONT (3 O'CLOCK) OF THE CHAMBER.



903535  
903382

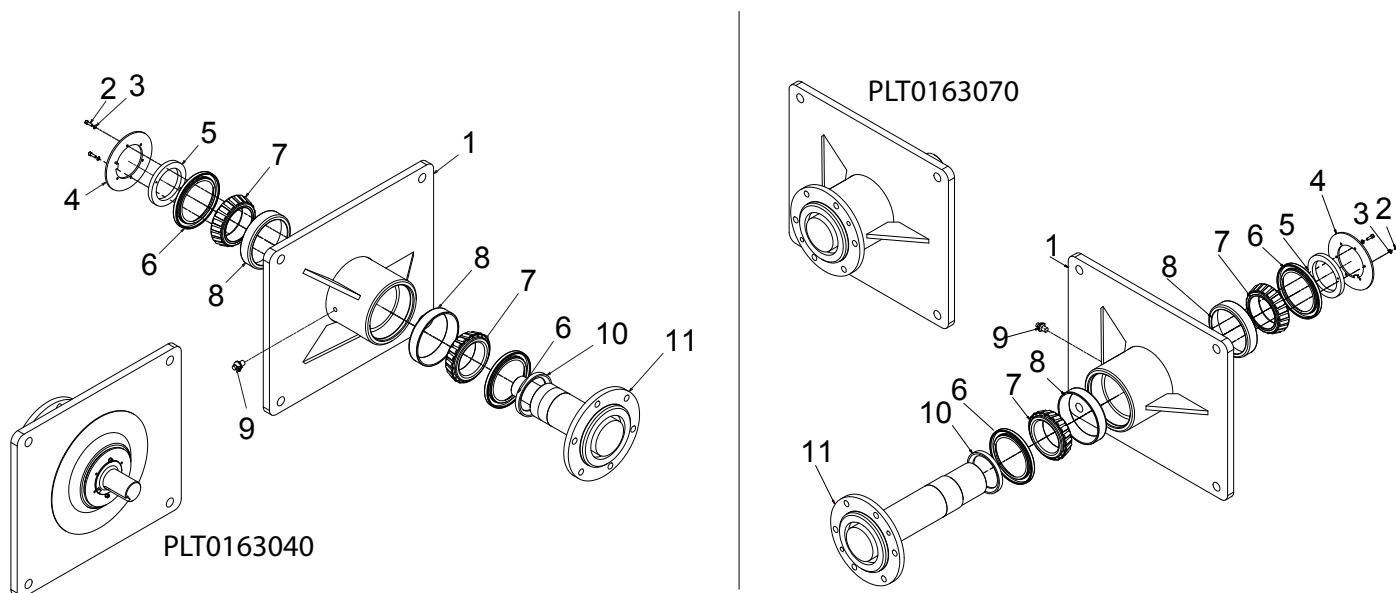


902103



## SIDE PLATE RH AND LH WITH BEARINGS AND SHAFT

REF NO.	PART NO.	DESCRIPTION	QTY. USED
	<b>PLT0163040</b>	<b>SIDE PLATE ASSEMBLY,LH</b>	
	<b>PLT0163070</b>	<b>SIDE PLATE ASSEMBLY,RH</b>	
1	-----	. PLATE WELDMENT,LH	1
2	F000007039	. CAPSCREW	2
3	F000007040	. LOCKWASHER	2
4	F000007038	. WASHER,LOCK	1
5	F000007037	. NUT,BRG	1
6	F000007035	. SEAL	2
7	F000007033	. BEARING CONE	2
8	204631	. BEARING CUP	2
9	F000001661	. FITTING, 19	1
10	F000007036	. RACE,SEAL	1
11	-----	. SHAFT WELDMENT,LH	1



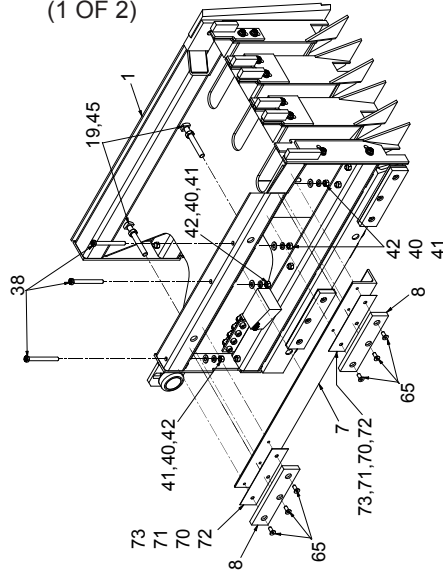
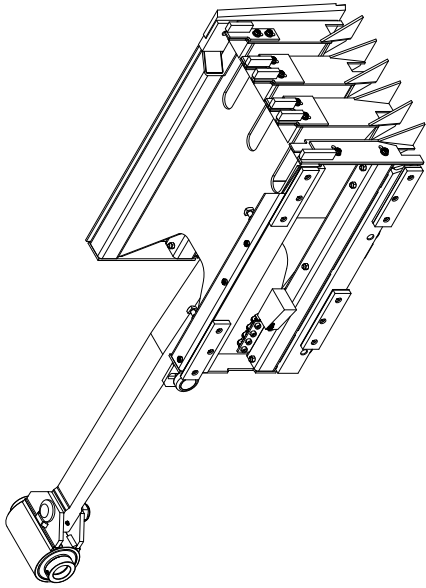
\* See Chart

SIDE PLATE	ITEM 1	ITEM 11
PLT0163040	PLT0032431	F000007032
PLT0163070	PLT0032434	SHF0007093

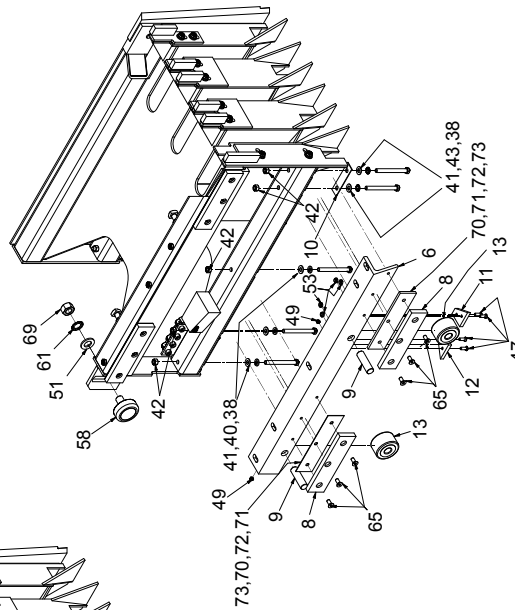
# PLUNGER ASSEMBLY

(1 OF 2)

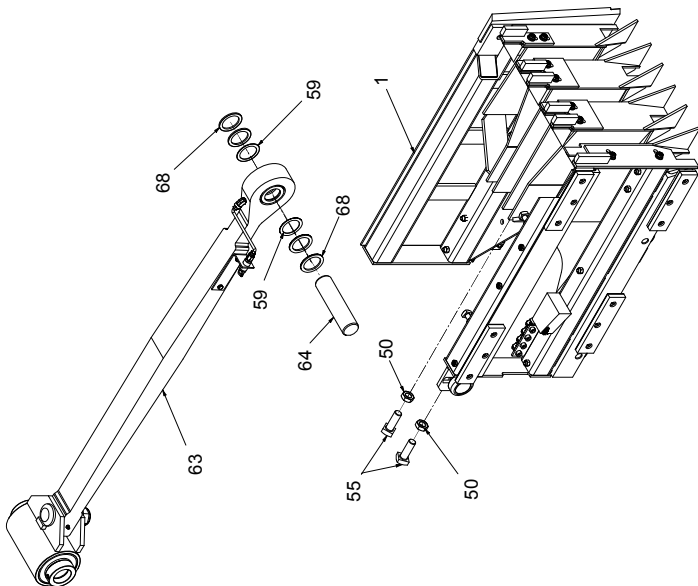
FRONT



TOP LEFT SIDE VIEW  
SHOWN WITHOUT CON ROD



LEFT SIDE VIEW  
SHOWN WITHOUT CON ROD



CON ROD VIEW

## PLUNGER ASSEMBLY

REF NO.	PART NO.	DESCRIPTION	QTY. USED	REF NO.	PART NO.	DESCRIPTION	QTY. USED
	<b>900136</b>	<b>PLUNGER SUB ASSEMBLY 14"</b>		<b>42*</b>	-----	. NUT	12
	<b>PLG3173600</b>	<b>PLUNGER ASSEMBLY 15"</b>		<b>43</b>	236655	. WASHER	2
	<b>PLG3140200</b>	<b>PLUNGER ASSEMBLY 16"</b>		<b>44</b>	SQS5002500	. SET SCREW	2
<b>1 *</b>	-----	. PLUNGER FRAME	1	<b>45*</b>	234218	. JAM NUT	*
<b>2</b>	F000008056	. PAD, ADJ	1	<b>47</b>	00113991	. SCREW	8
<b>3</b>	F000008057	. PAD, ADJ	2	<b>48</b>	00191758	. FITTING, LUBE	4
<b>4</b>	SHM0034535	. SHIM, KNIFE, PLATE	AR	<b>49</b>	STS3125313	. SET SCREW	4
<b>5</b>	SHM0034534	. SHIM, KNIFE, PLATE	AR	<b>50</b>	247008	. JAM NUT	2
<b>6</b>	PLG0020660	. MOUNTING, LH BTM	1	<b>51</b>	R13811457	. WASHER	1
<b>7</b>	F000007766	. ANGLE, TOP RH	1	<b>53</b>	4196303	. NUT	8
<b>8</b>	F000001537	. BAR, SLIDE	4	<b>54</b>	NYL0000250	. TUBE	9'
<b>9</b>	PIN0007831	. PIN, ROLL	4	<b>55</b>	SQS7502250	. SET SCREW	2
<b>10</b>	LOK0005857	. PLATE, LOCK	1	<b>58</b>	BRG0001636	. TOP ROLLER BEARING F/370 2003	1
<b>11</b>	F000000986	. WIPER, REAR	2	<b>59</b>	ZZ00000203	. BUSHING	AR
<b>12</b>	F000000774	. WIPER, FRONT REAR	2	<b>61</b>	WES0007500	. WASHER	1
<b>13</b>	F000000775	. ROLLER BEARING, PLUNGER	4	<b>62</b>	PLG0007839	. MOUNTING, RH REAR	1
<b>14</b>	F000007735	. GROMMET, RUBBER	6	<b>63*</b>	-----	. CONNECTING ROD ASSEMBLY	1
<b>16</b>	PLG0007840	. ANGLE, RH FNT	1	<b>64</b>	F000007914	. PIN	1
<b>17*</b>	-----	. PLATE, KNIFE	1	<b>65</b>	R13807736	. CAPSCREW	12
<b>18</b>	F000000227	. BOLT, PLATE PLUNGER KNIFE	3	<b>67</b>	F000001441	. ELBOW	8
<b>19</b>	F000000073	. SET SCREW	2	<b>68</b>	ZZ00000200	. BUSHING	AR
<b>26*</b>	-----	. WIPE PLATE, PLUNGER	1	<b>69*</b>	-----	. NUT	1
<b>38</b>	R13811046	. CAPSCREW	12	<b>70</b>	SHM0115770	. BAR, SHIM	AR
<b>39</b>	Y17C-0616	. CAPSCREW	8	<b>71</b>	SHM0115771	. PLATE, SHIM	AR
<b>40</b>	234135	. WASHER	19	<b>72</b>	SHM0115772	. PLATE, SHIM	AR
<b>41</b>	223427	. WASHER	*	<b>73</b>	903397	. SHIM	AR

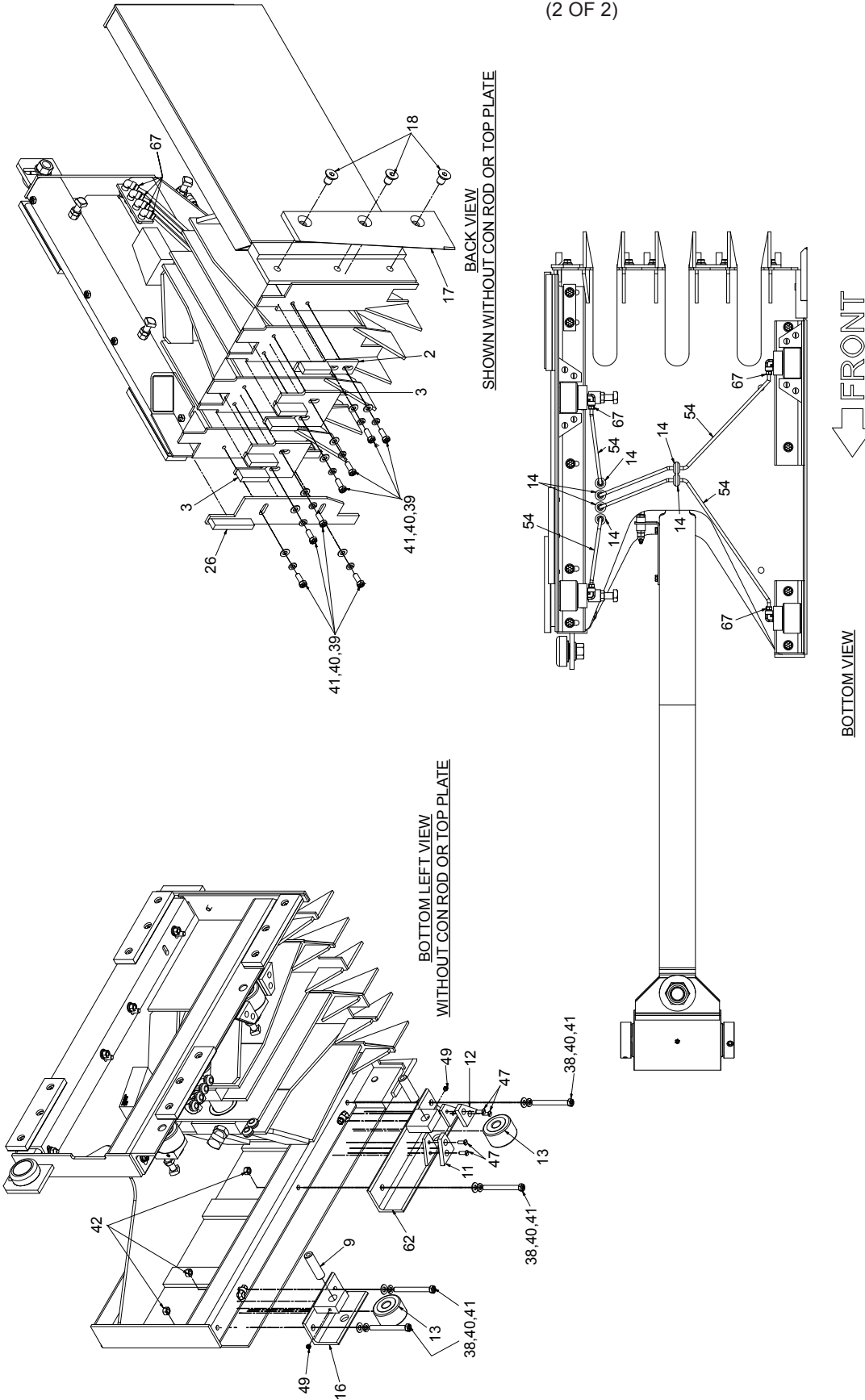
AR - AS REQUIRED

\* SEE CHART

PLUNGER ASSY	ITEM 1	ITEM 17	ITEM 26	ITEM 41 QTY	ITEM 42 QTY	ITEM 45 QTY	ITEM 63	ITEM 69
900136	PLG036078F	KNF0021901	F008058-14	21	R13809551	2	901960	00220081
PLG3173600	PLG0031736	KNF1115715	PLG0018049	19	221707W	4	903267	221716W
PLG3140200	PLG0031402	KNF0011157	F000008058	21	R13809551	4	903267	00220081

# PLUNGER ASSEMBLY

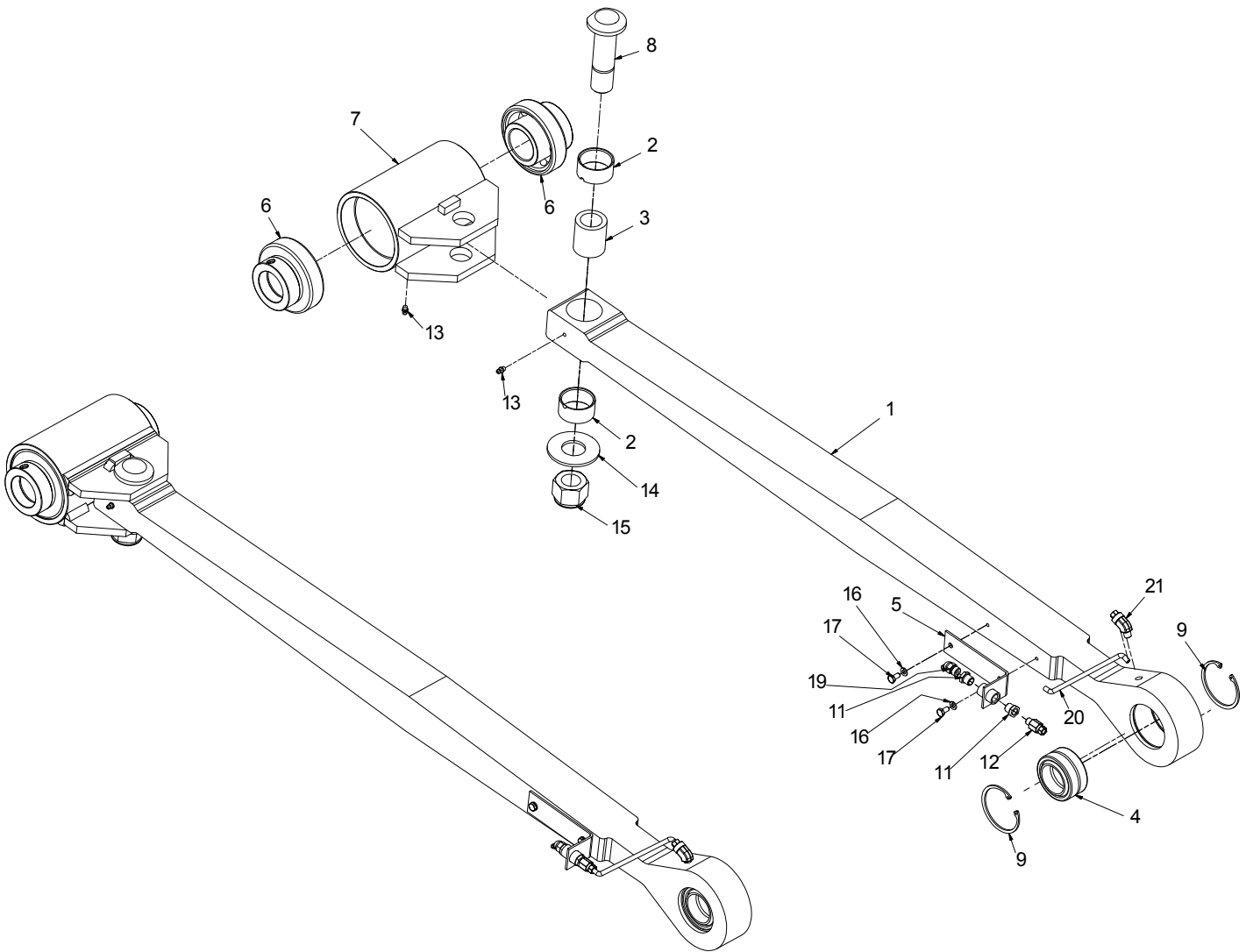
(2 OF 2)



---

INTENTIONALLY LEFT BLANK

**CONNECTING ROD ASSEMBLY**



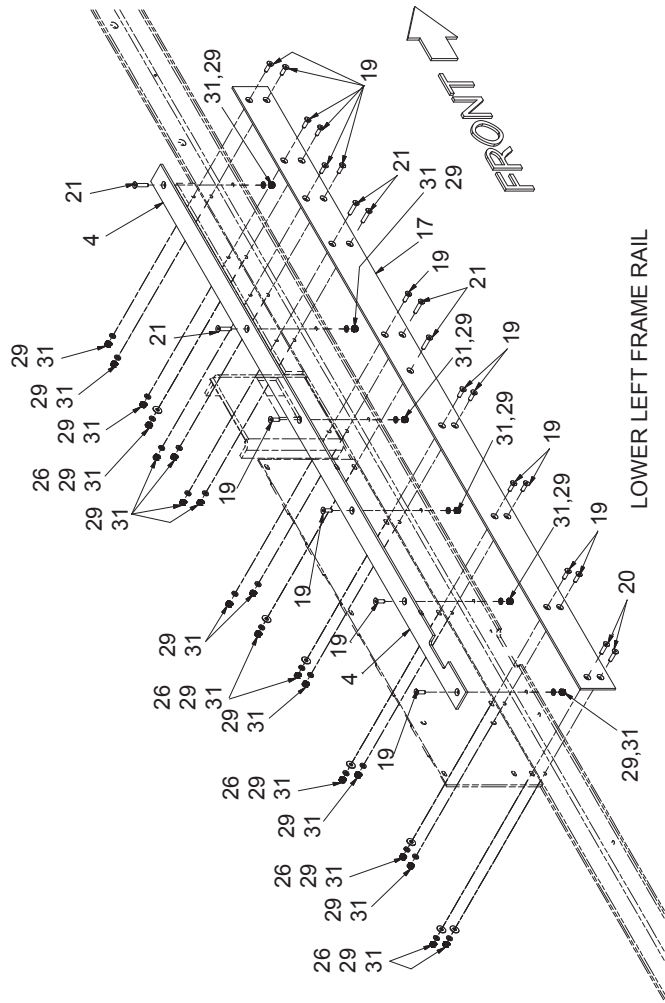
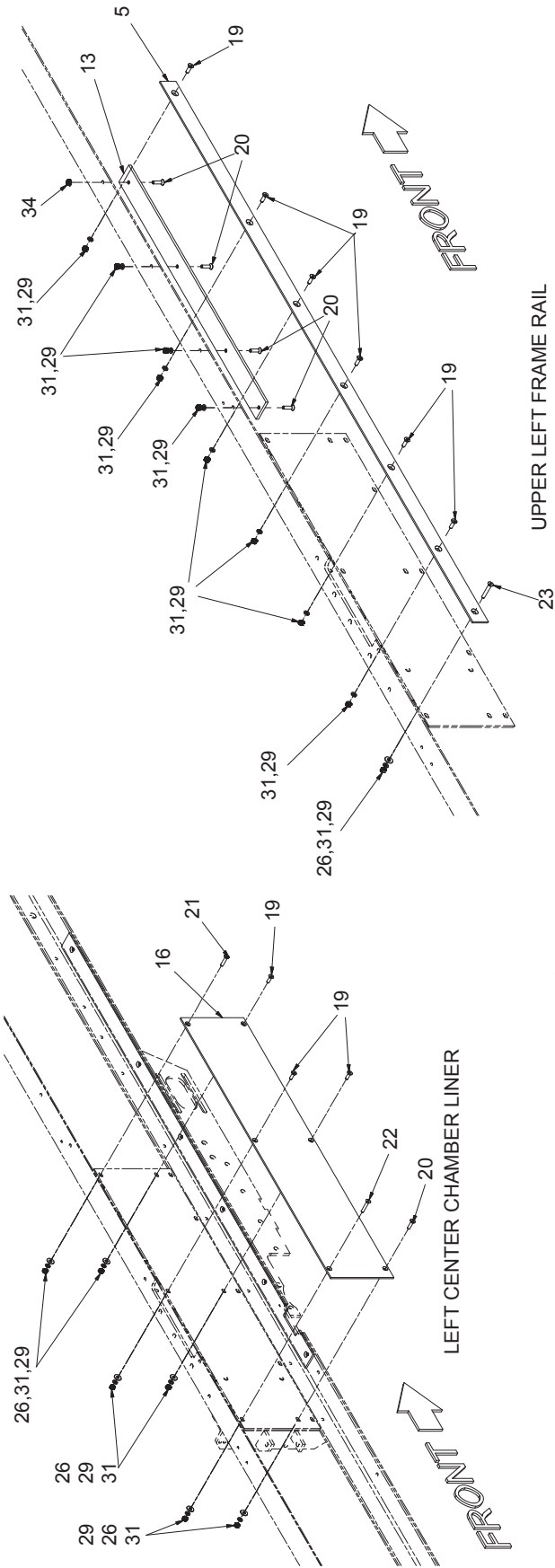
---

**CONNECTING ROD ASSEMBLY**

REF NO.	PART NO.	DESCRIPTION	QTY. USED
	<b>901960</b>	<b>CONNECTING ROD ASSEMBLY</b>	
1	ROD0034342	. PLATE,CONN ROD	1
2	F000008077	. BEARING ,INNER RACE	2
3	F000008078	. CONNECTING ROD BUSHING-STEEL	1
4	R1574466	. BEARING, SEALED SELF ALIGNED	1
5	F000008263	. BRACKET	1
6	F000008100	. BEARING	2
7	F000008229	. HOUSING ,BRG HSG	1
8	PIN0008670	. CONNECTING ROD PIVOT PIN-GR 8	1
9	F000007917	. RING, SNAP	2
11	209500	. FITTING	2
12	F000000778	. TUBE CONNECTOR	1
13	11079	. FITTING, LUBE	2
14	225851	. WASHER	1
15	222465	. NUT	1
16	228412	. LOCKWASHER	2
17	133469W	. CAPSCREW	2
19	F000007651	. ZERK	1
20	NYL0000250	. TUBE	1
21	253694	. FITTING	1

# CHAMBER LINERS 16"

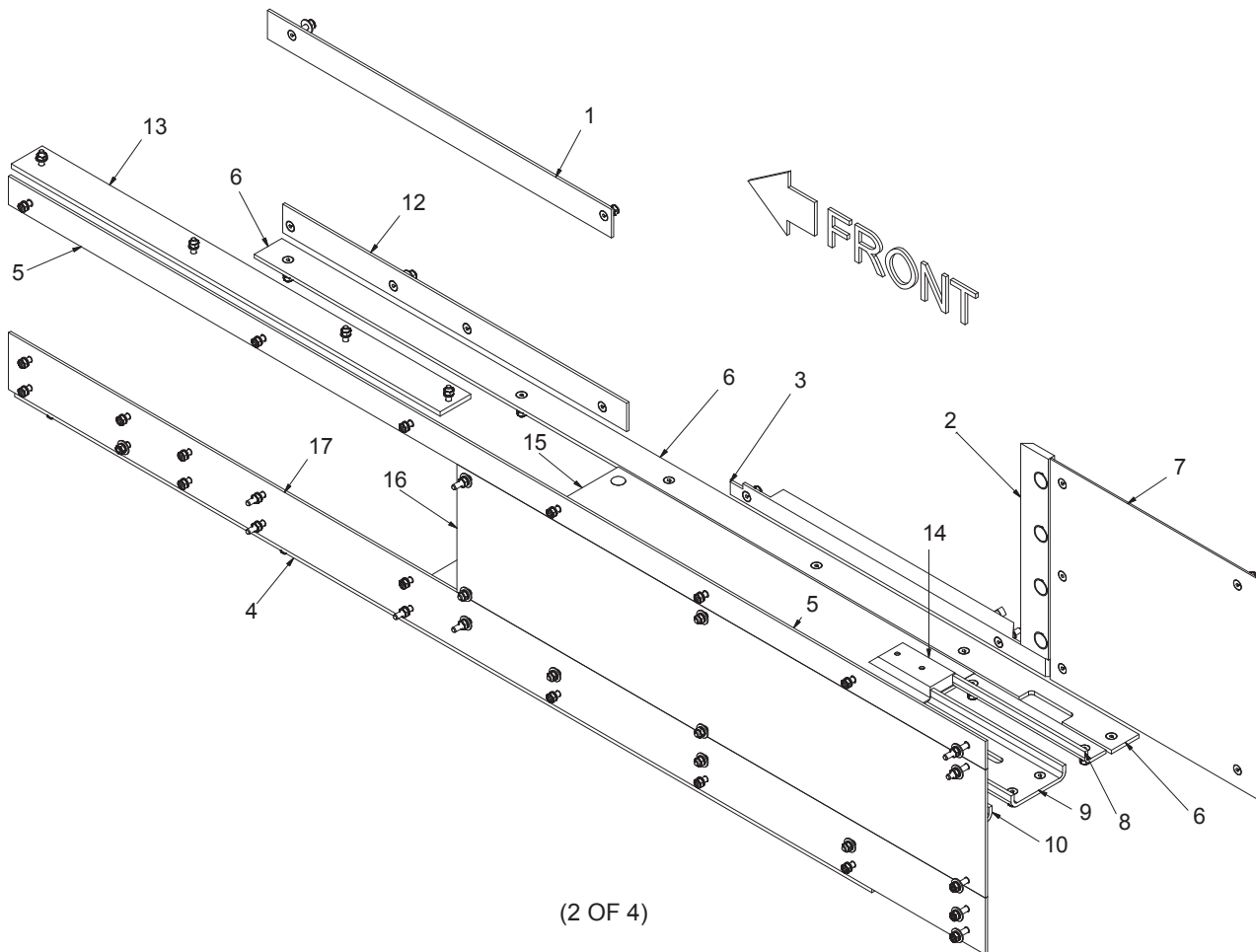
(1 OF 4)





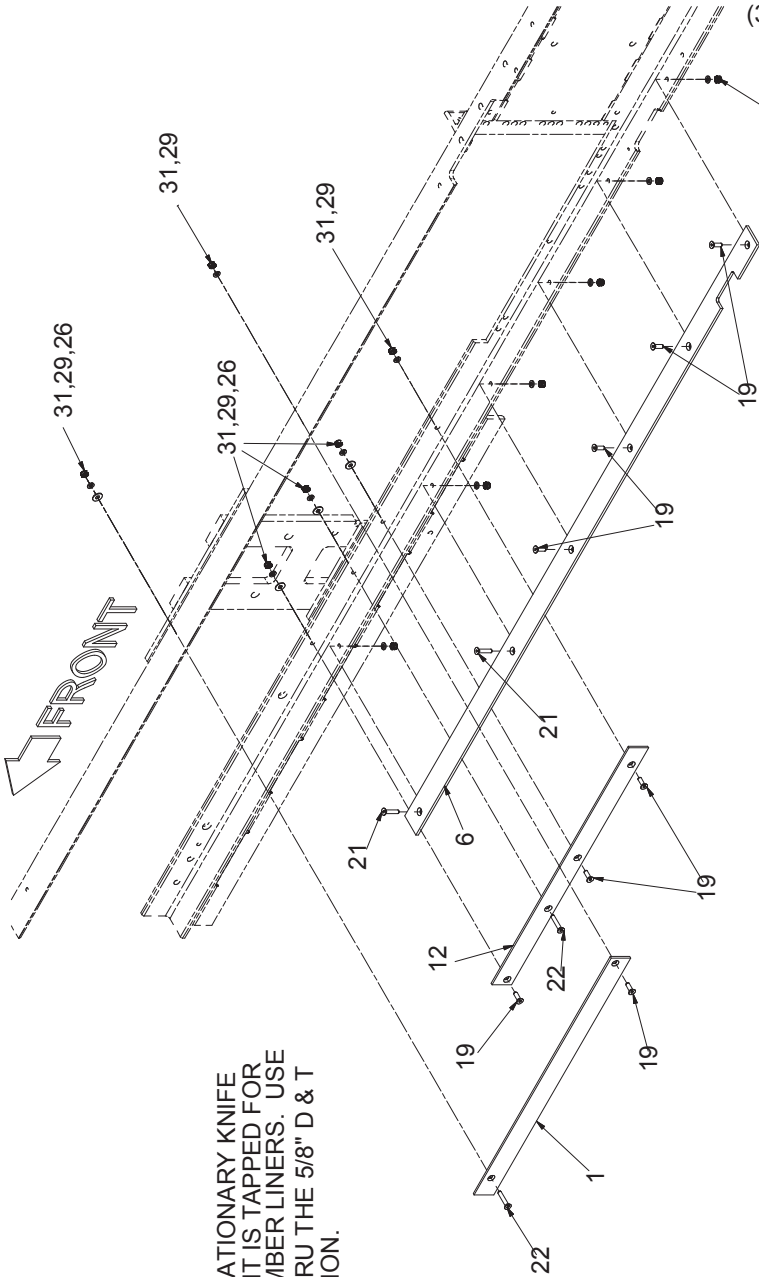
## CHAMBER LINERS 16"

REF NO.	PART NO.	DESCRIPTION	QTY. USED	REF NO.	PART NO.	DESCRIPTION	QTY. USED
	<b>903574</b>	<b>CHAMBER INSTALLATION</b>		<b>19</b>	Y09G-0516	. CAPSCREW	50
1	F00000299	. BAR, UPPER RH	1	20	Y09G-0520	. CAPSCREW	7
2	F000001609	. PLATE, KNIFE	1	21	Y09G-0524	. CAPSCREW	11
3	F000007439	. ANGLE	1	22	Y09G-0528	. CAPSCREW	4
4	F000007762	. PLUNGER RAIL, LH BTM	1	23	Y09G-0532	. CAPSCREW	1
5	F000007763	. BAR, SIDE	1	24	CRB3750150	. BOLT, CARR	3
6	F000007767	. PLUNGER RAIL, RH BTM	1	25	PWB5001750	. BOLT, PLOW	4
7	F000007812	. SIDE LINER RH F/CHMB -16X22	1	26	223428	. WASHER	20
8	F000007813	. BAR, RH BTM	1	27	R13802623	. WASHER	6
9	F000007816	. PLATE, RH	1	28	R13811449	. WASHER	6
10	F000007818	. PLATE, LH	1	29	R13812513	. LOCKWASHER	71
11	F000007819	. BAR, BTM	1	30	234135	. LOCKWASHER	9
12	PLG0026593	. BAR, RH BTM	1	31	R13811512	. NUT	73
13	PLG035987D	. BAR, LH UPPER RAIL	1	32	221707W	. NUT	3
14	902703	. BLOCK, TRACK	1	33	223587	. NUT	4
15	902728	. PLATE, BTM LINER	1	34	00273802	. NUT	1
16	903364	. PLATE, LH CHM	1	35	SQS5001750	. SET SCREW	2
17	903365	. BAR, LH BTM	1	36	234218	. JAM NUT	2
18	Y17C-0624	. CAPSCREW	6				



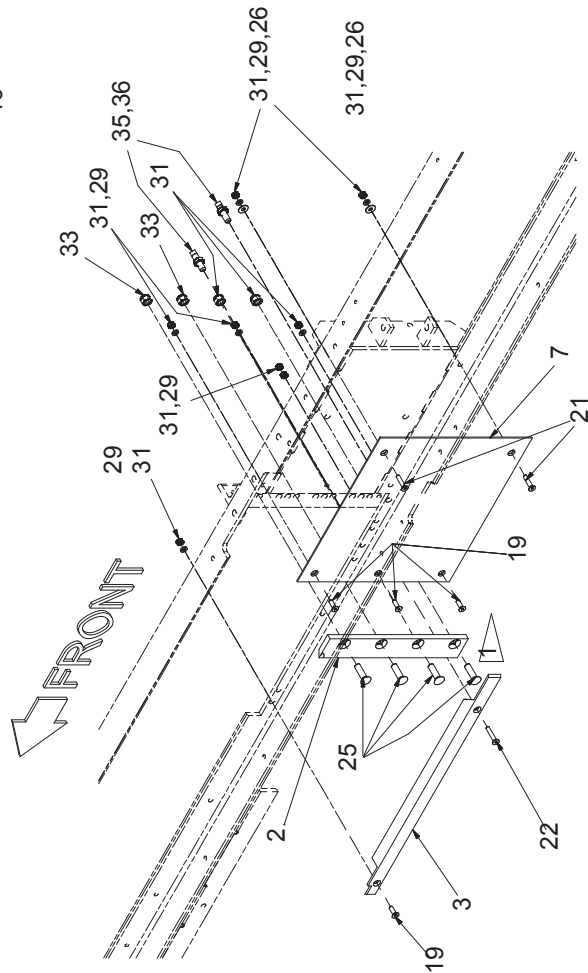
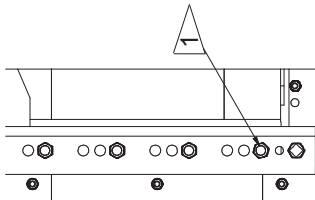
### CHAMBER LINERS 16"

(3 OF 4)



RIGHT TOP AND BOTTOM FRAME RAIL

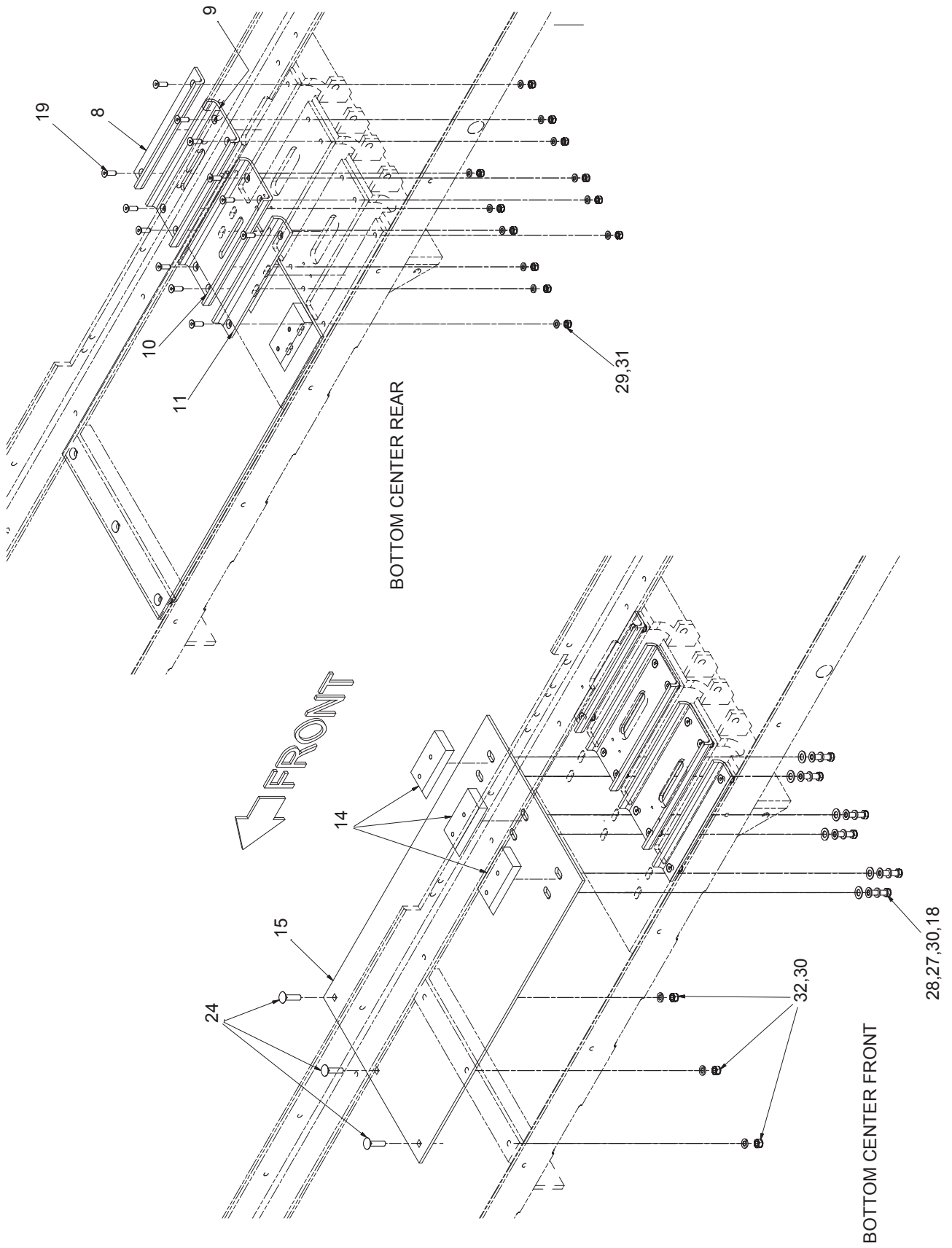
THIS HOLE IN THE STATIONARY KNIFE ANGLE IS 5/8" D & T. IT IS TAPPED FOR THE 14" KITTED CHAMBER LINERS. USE A 1/2" CAPSCREW THRU THE 5/8" D & T FOR THIS INSTALLATION.



RIGHT CENTER FRAME

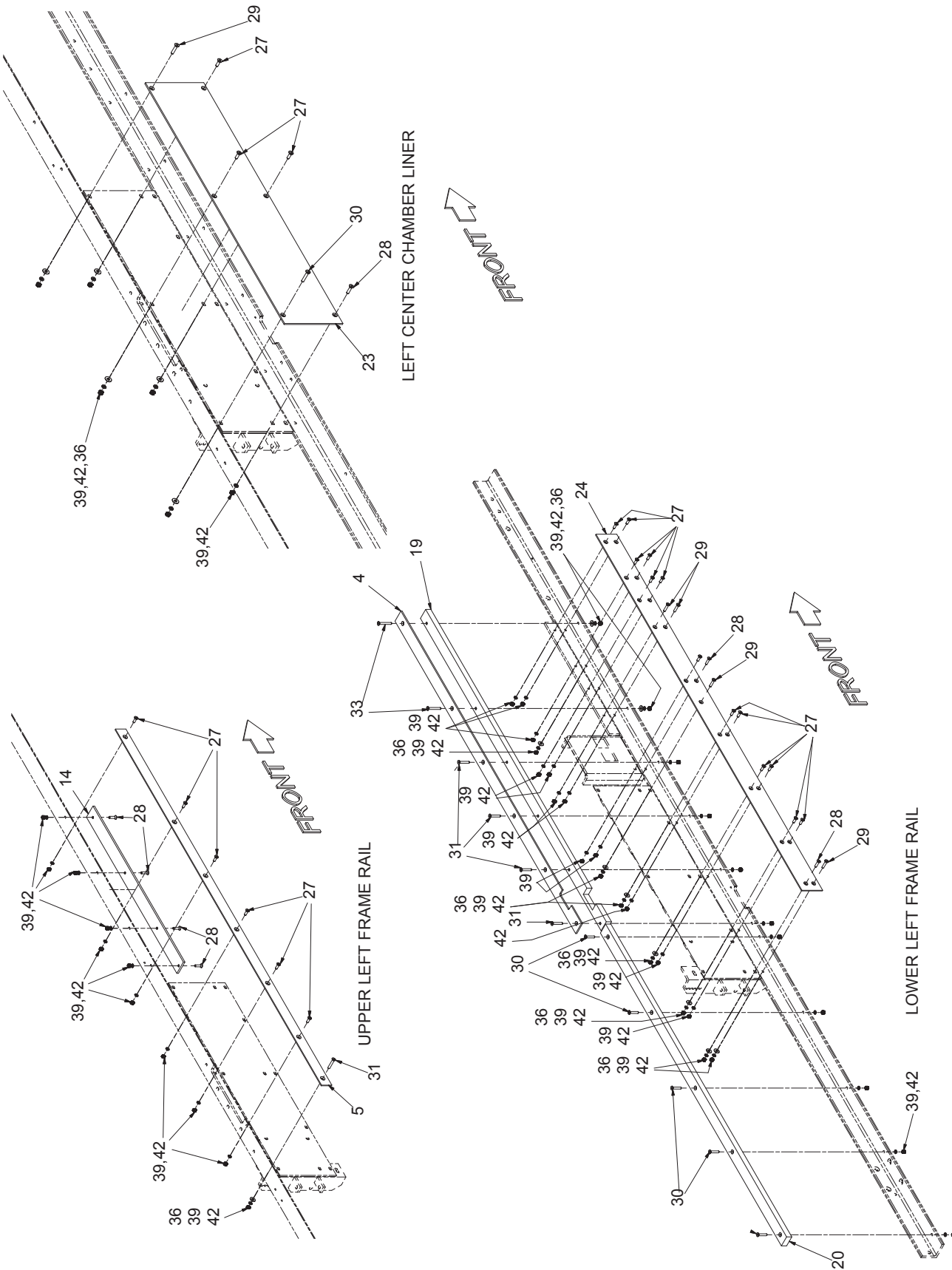
# CHAMBER LINERS 16"

(4 OF 4)



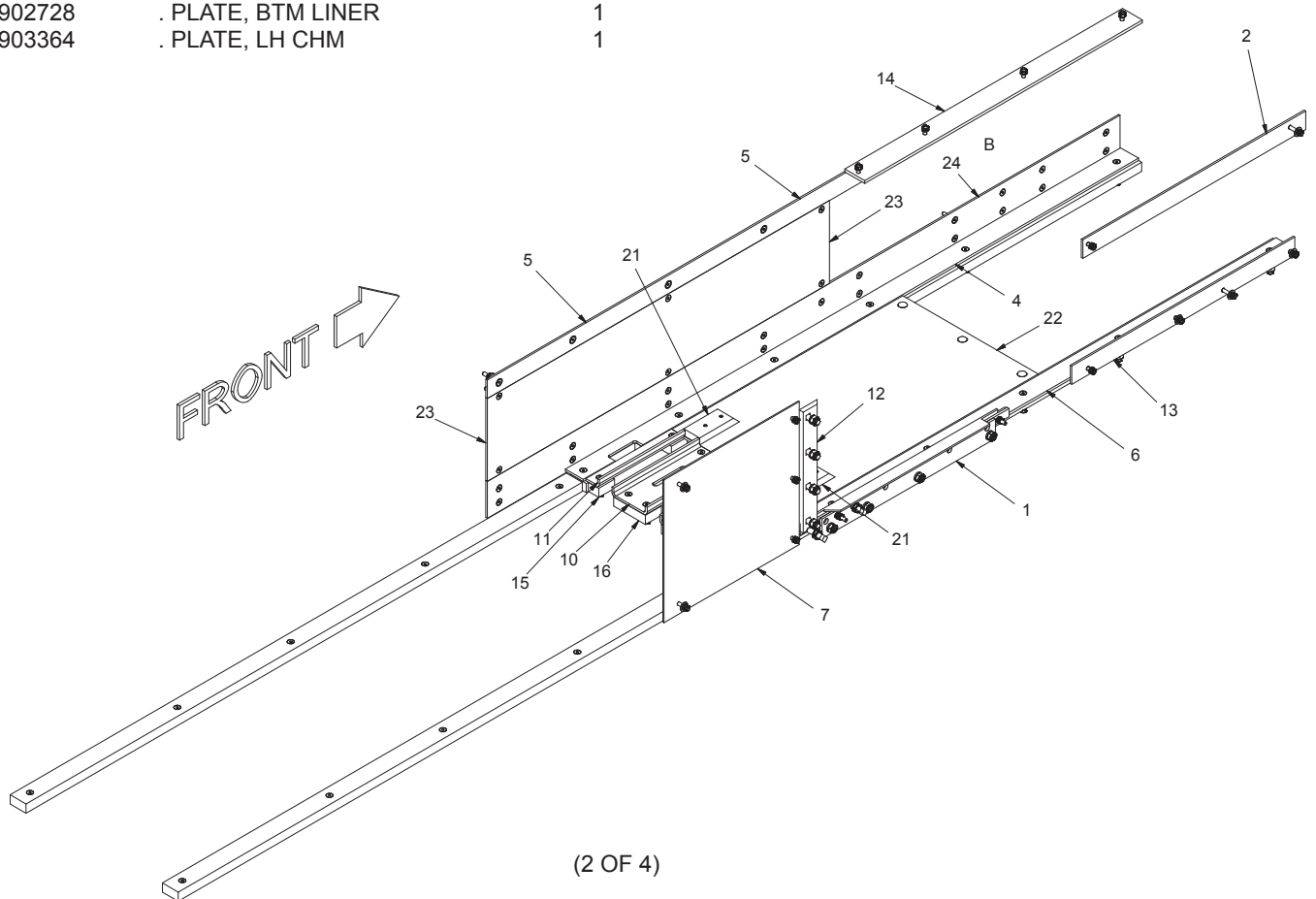
# CHAMBER LINERS 16" to 15"

(1 OF 4)



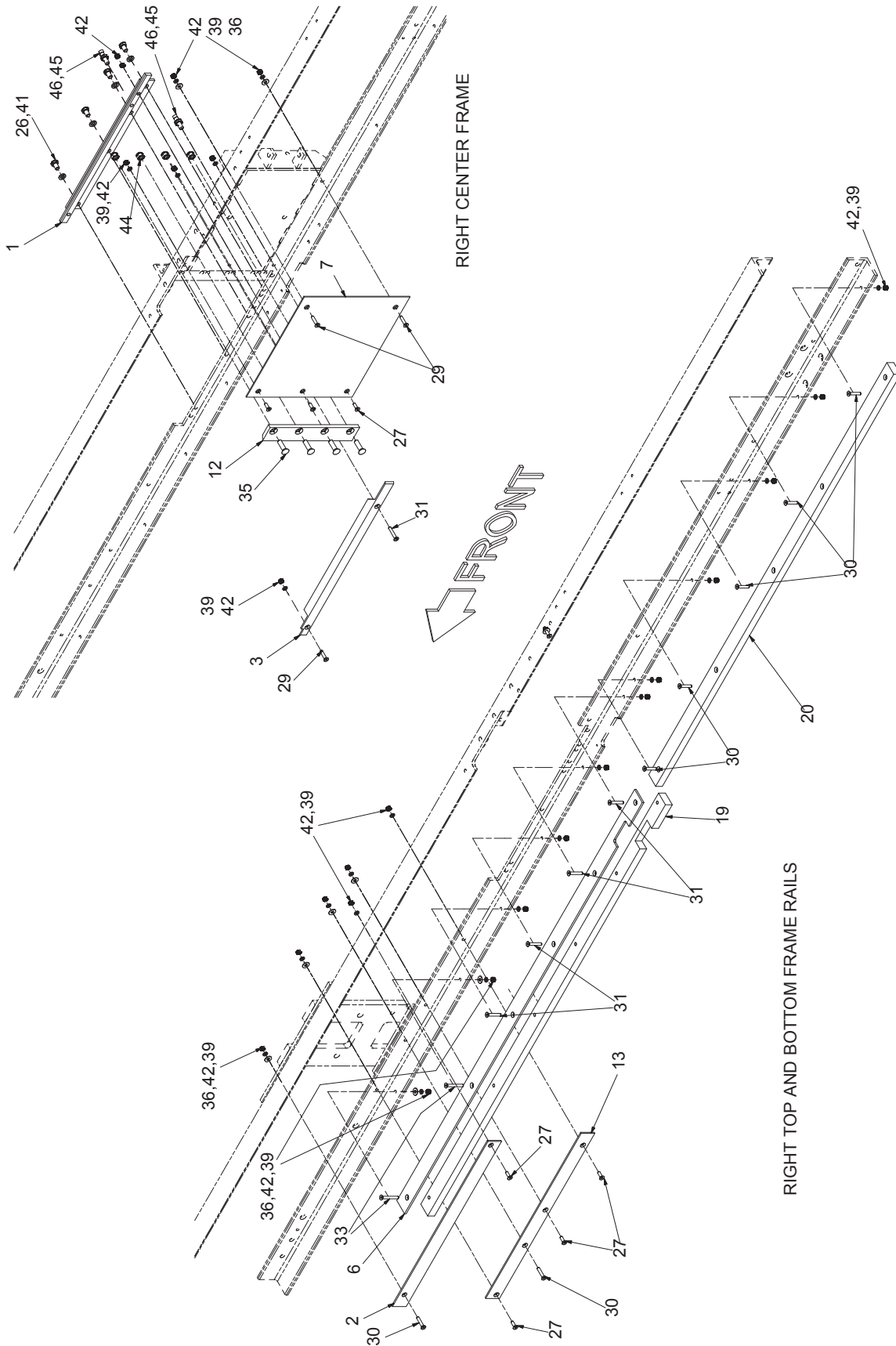
## CHAMBER LINERS 16" TO 15"

REF NO.	PART NO.	DESCRIPTION	QTY. USED	REF NO.	PART NO.	DESCRIPTION	QTY. USED
<b>903575 CHAMBER INSTALLATION</b>				<b>24</b>	903365	. BAR, LH BTM	1
1	DPT0034314	. ADAPTER	1	25	180959W	. CAPSCREW	6
2	F00000299	. BAR, UPPER RH	1	26	R13801840	. CAPSCREW	4
3	F000007439	. ANGLE	1	27	Y09G-0516	. CAPSCREW	29
4	F000007762	. PLUNGER RAIL, LH BTM	1	28	Y09G-0520	. CAPSCREW	7
5	F000007763	. BAR, SIDE	1	29	Y09G-0524	. CAPSCREW	8
6	F000007767	. PLUNGER RAIL, RH BTM	1	30	Y09G-0528	. CAPSCREW	13
7	F000007812	. SIDE LINER, RH F/CHMB -16X22	1	31	Y09G-0532	. CAPSCREW	22
8	F000007813	. BAR, RH BTM	1	33	Y09G-0540	. CAPSCREW	4
9	F000007816	. PLATE, RH	1	34	CRB3750250	. BOLT, CARR	3
10	F000007818	. PLATE, LH	1	35	PWB5001750	. BOLT, PLOW	4
11	F000007819	. BAR, BTM	1	36	223428	. WASHER	23
12	KNF0018468	. KNIFE	1	37	R13802623	. WASHER	6
13	PLG0026593	. BAR, RH BTM	1	38	R13811449	. WASHER	6
14	PLG035987D	. BAR, LH UPPER RAIL	1	39	R13812513	. LOCKWASHER	82
15	SPC0018514	. BAR, SPACER	4	40	234135	. LOCKWASHER	9
16	SPC0018515	. SPACER	4	41	R13812516	. LOCKWASHER	4
17	SPC0018516	. BAR, SPACER	3	42	R13811512	. NUT	84
18	SPC0018517	. PLATE, FNT SPACER	1	43	221707W	. NUT	3
19	SPC0018519	. BAR, SPACER	2	44	223587	. NUT	4
20	SPC035753B	. BAR	2	45	SQS5001750	. SET SCREW	2
21	902703	. BLOCK, TRACK	3	46	234218	. JAM NUT	2
22	902728	. PLATE, BTM LINER	1				
23	903364	. PLATE, LH CHM	1				



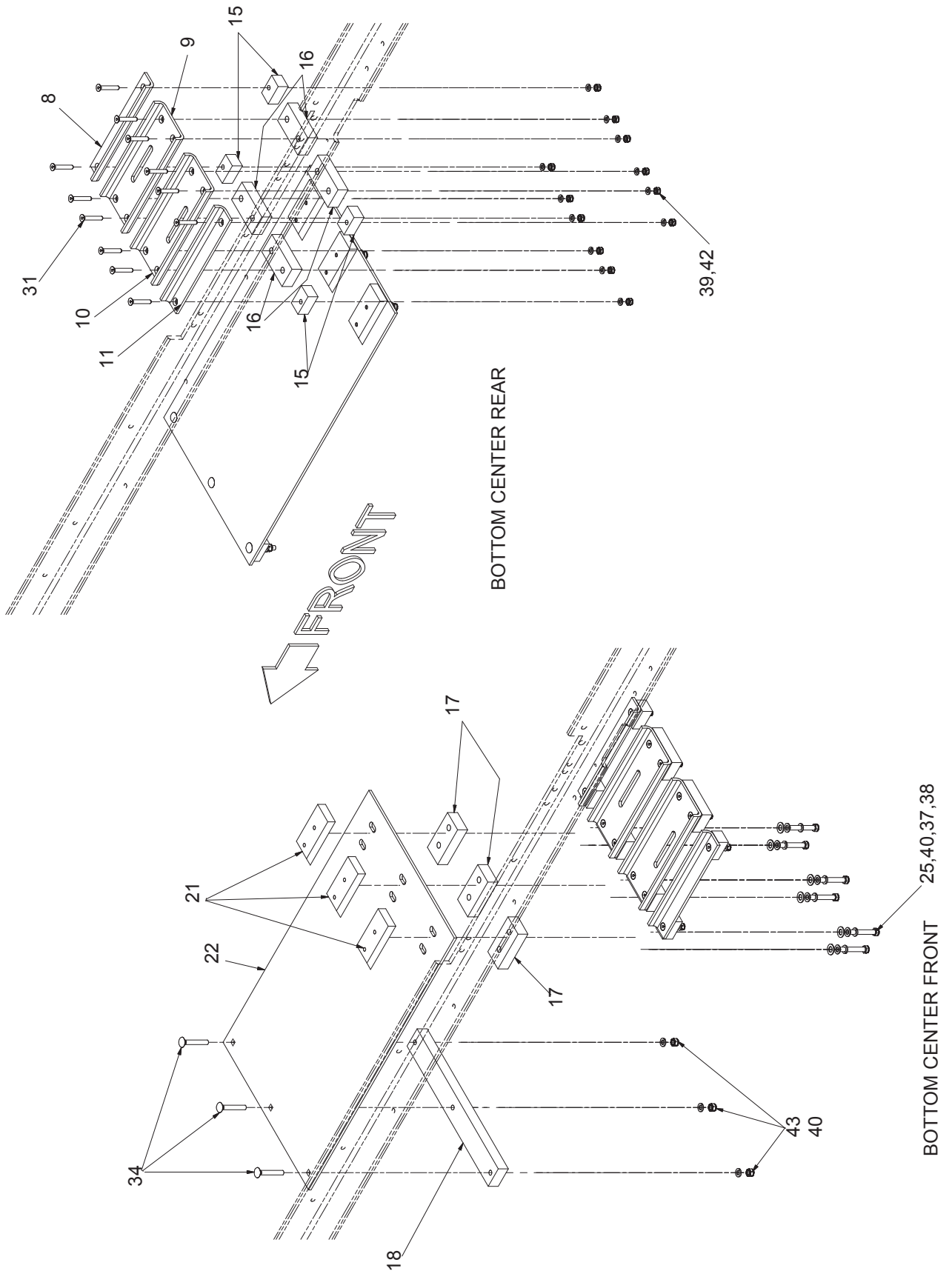
### CHAMBER LINERS 16" to 15"

(3 OF 4)



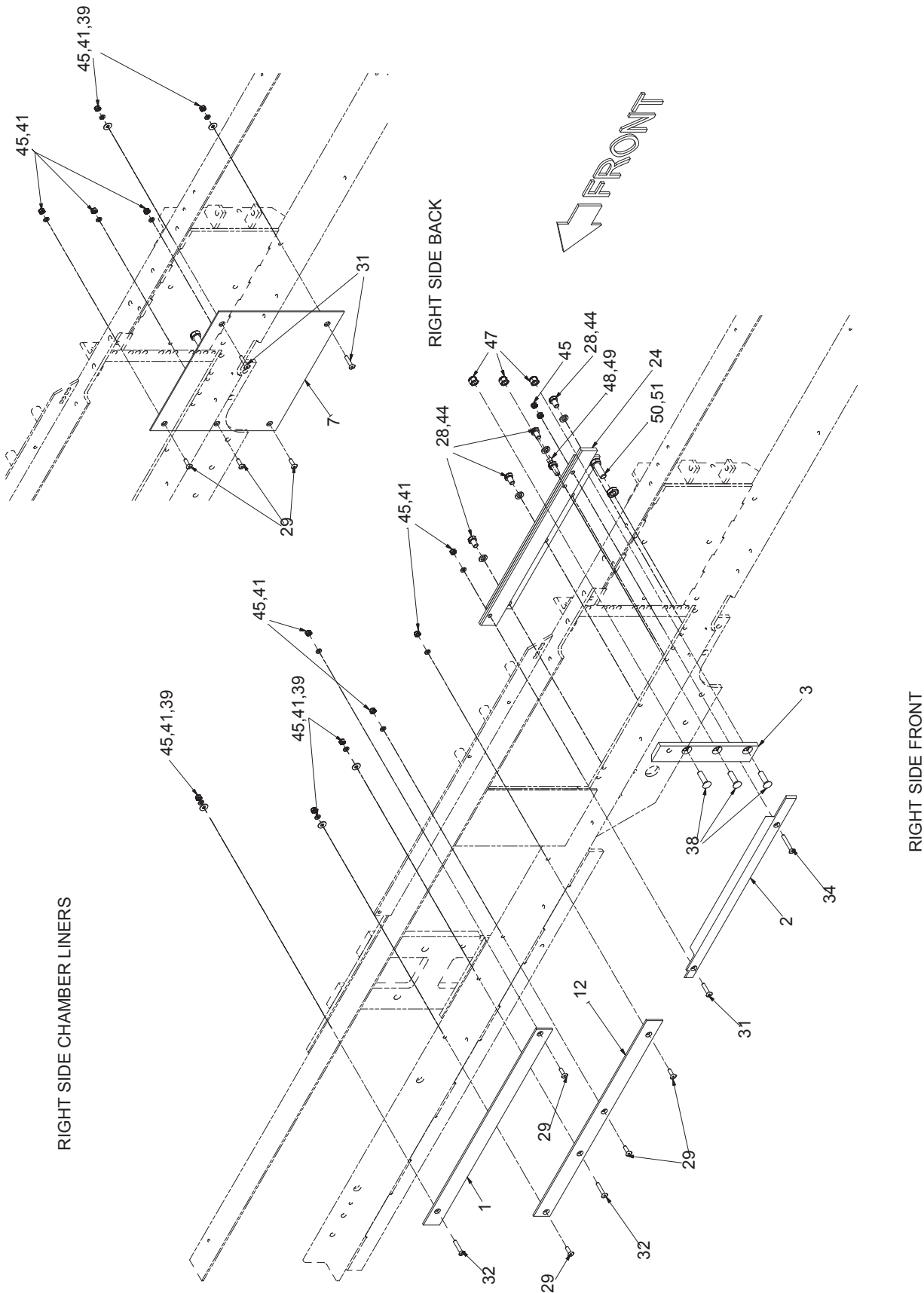
# CHAMBER LINERS 16" TO 15"

(4 OF 4)



# CHAMBER LINERS 16" TO 14"

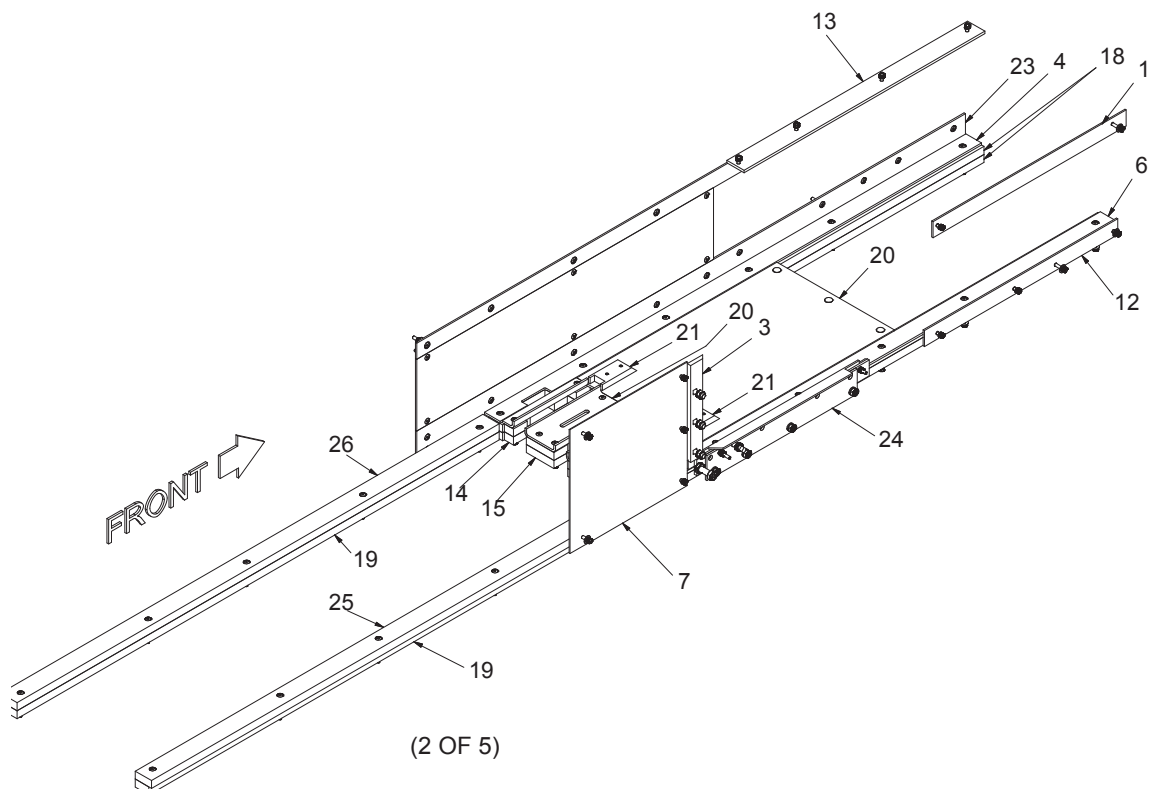
(1 OF 5)





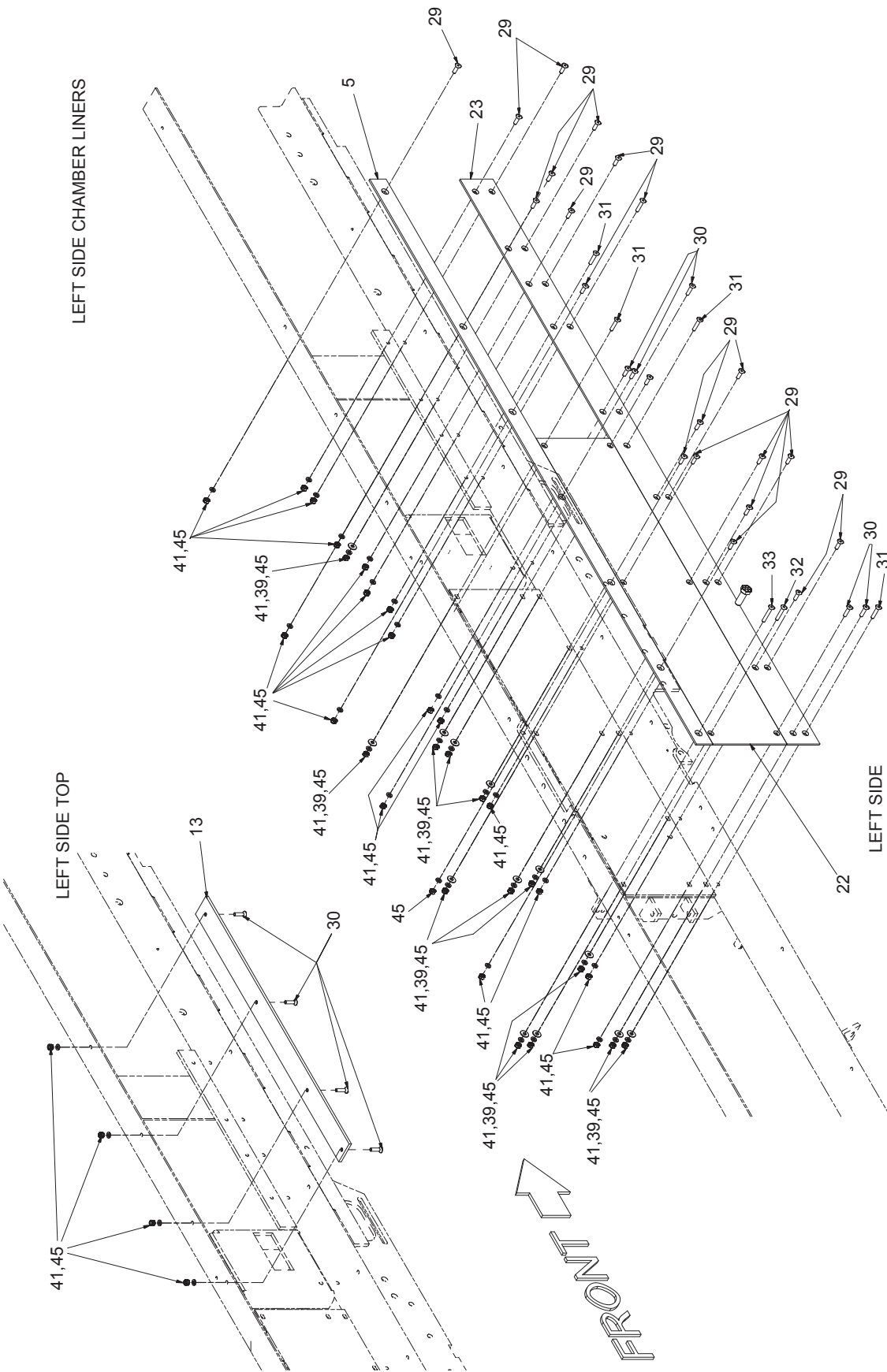
## CHAMBER LINERS 16" TO 14"

REF NO.	PART NO.	DESCRIPTION	QTY. USED	REF NO.	PART NO.	DESCRIPTION	QTY. USED
<b>903363 CHAMBER INSTALLATION</b>				<b>26</b>	903371	. PLATE, LH RAIL	1
1	F00000299	. BAR, UPPER RH	1	27	R13811045	. CAPSCREW	6
2	F000007439	. ANGLE	1	28	R13801840	. CAPSCREW	4
3	F000007744	. PLATE, KNIFE	1	29	Y09G-0516	. CAPSCREW	29
4	F000007762	. PLUNGER RAIL, LH BTM	1	30	Y09G-0520	. CAPSCREW	7
5	F000007763	. BAR, SIDE	1	31	Y09G-0524	. CAPSCREW	8
6	F000007767	. PLUNGER RAIL, RH BTM	1	32	Y09G-0528	. CAPSCREW	3
7	F000007812	. SIDE LINER, RH F/CHMB -16X22	1	33	Y09G-0532	. CAPSCREW	1
8	F000007813	. BAR, RH BTM	1	34	Y09G-0536	. CAPSCREW	1
9	F000007816	. PLATE, RH	1	35	Y09G-0548	. CAPSCREW	30
10	F000007818	. PLATE, LH	1	36	Y09G-0556	. CAPSCREW	4
11	F000007819	. BAR, BTM	1	37	CRB3753500	. BOLT, CARR	3
12	PLG0026593	. BAR, RH BTM	1	38	PWB5001750	. BOLT, PLOW	3
13	PLG035987D	. BAR, LH UPPER RAIL	1	39	223428	. WASHER	22
14	SPC0018514	. BAR, SPACER	8	40	222677	. WASHER	6
15	SPC0018515	. SPACER	8	41	R13812513	. LOCKWASHER	82
16	SPC0018516	. BAR, SPACER	6	42	223427	. WASHER	6
17	SPC0018517	. PLATE, FNT SPACER	2	43	234135	. LOCKWASHER	9
18	SPC0018519	. BAR, SPACER	4	44	R13812516	. LOCKWASHER	4
19	SPC035753B	. BAR	2	45	221705W	. NUT	84
20	902728	. PLATE, BTM LINER	1	46	221707W	. NUT	3
21	903119	. BLOCK, TRACK	3	47	223587	. NUT	3
22	903364	. PLATE, LH CHM	1	48	SQS5001750	. SET SCREW	1
23	903365	. BAR, LH BTM	1	49	234218	. JAM NUT	1
24	903368	. ADAPTER	1	50	Y17C-1028	. CAPSCREW	1
25	903370	. PLATE, RH RAIL	1	51	222462	. JAM NUT	1



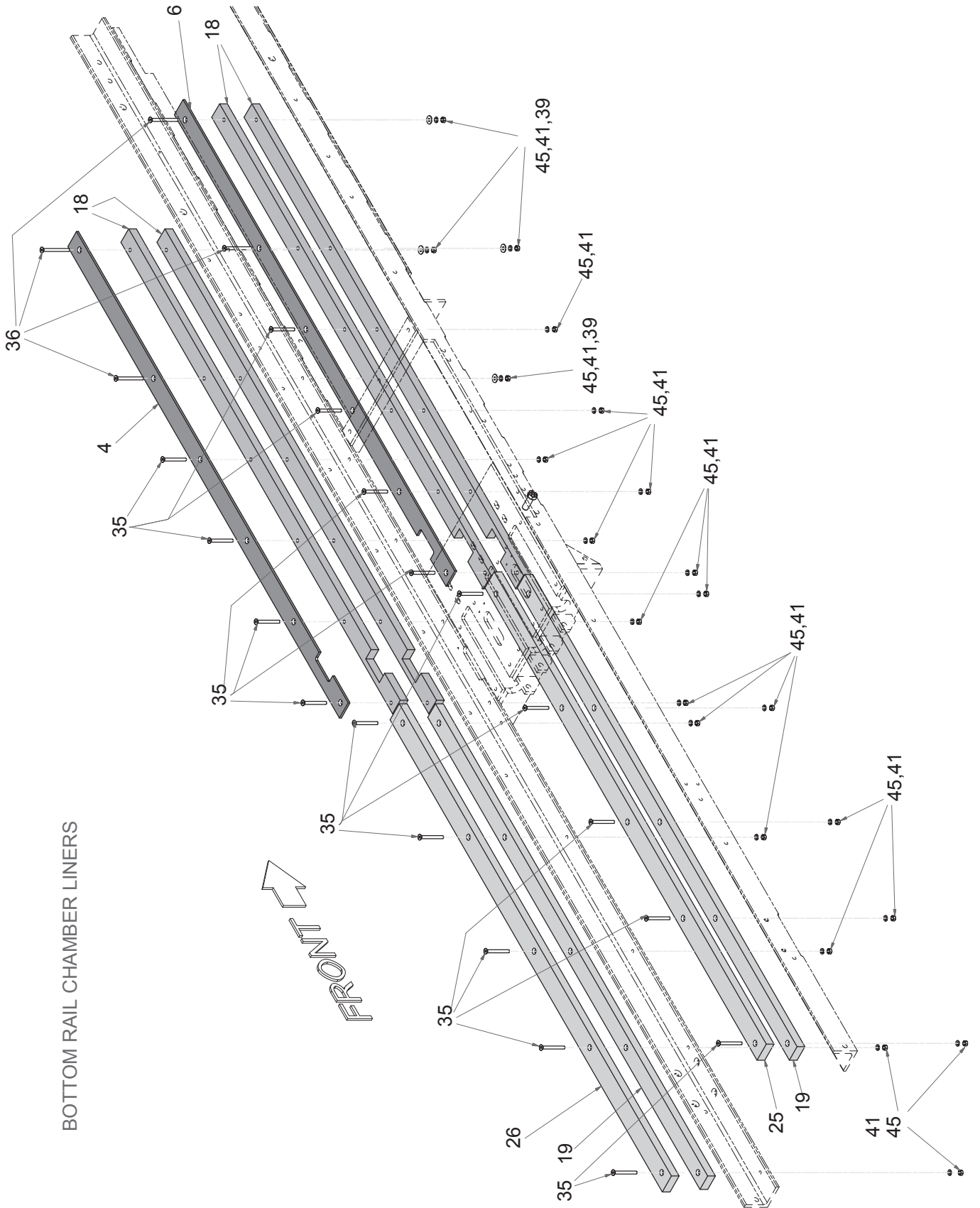
# CHAMBER LINERS 16" TO 14"

(3 OF 5)



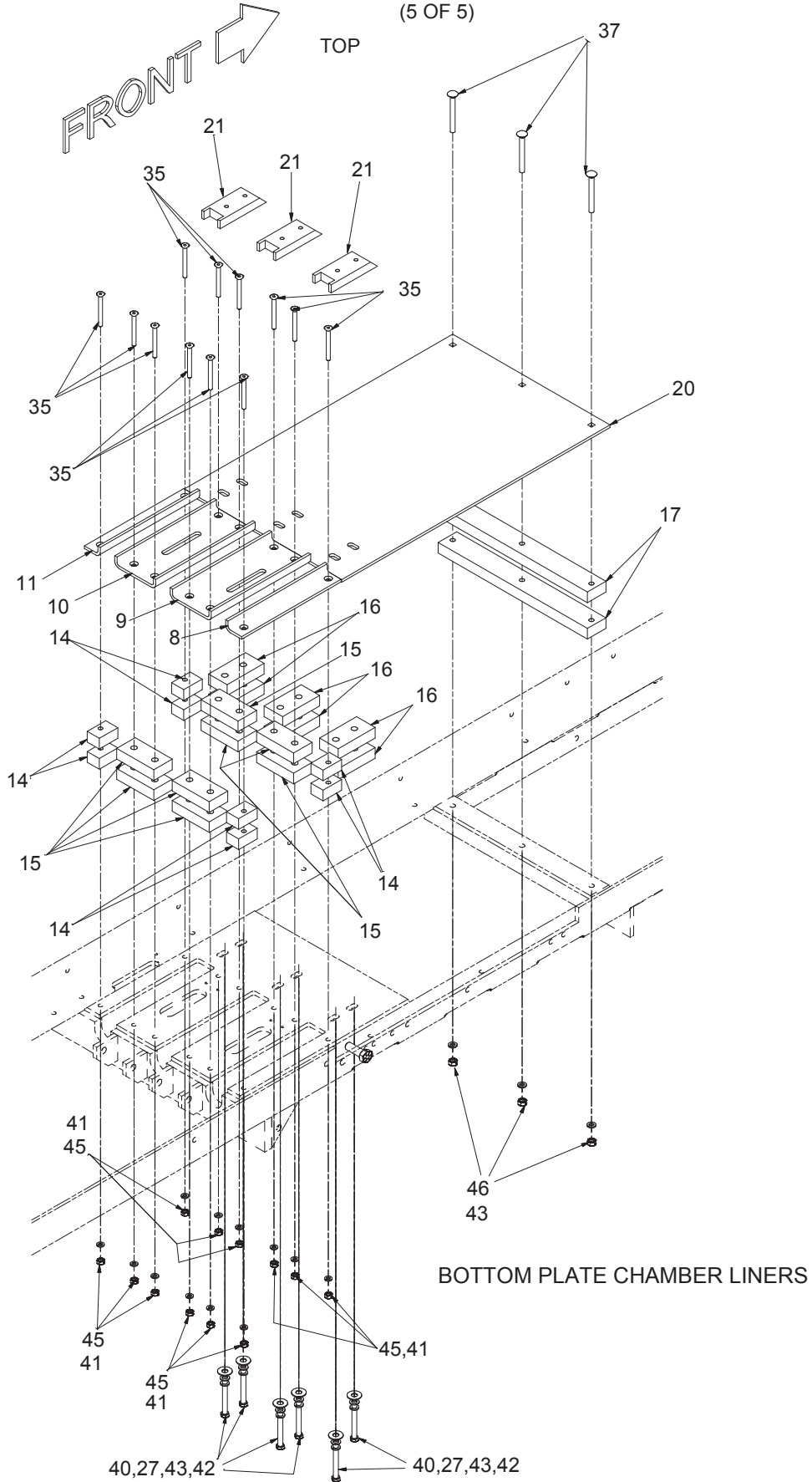
# CHAMBER LINERS 16" TO 14"

(4 OF 5)



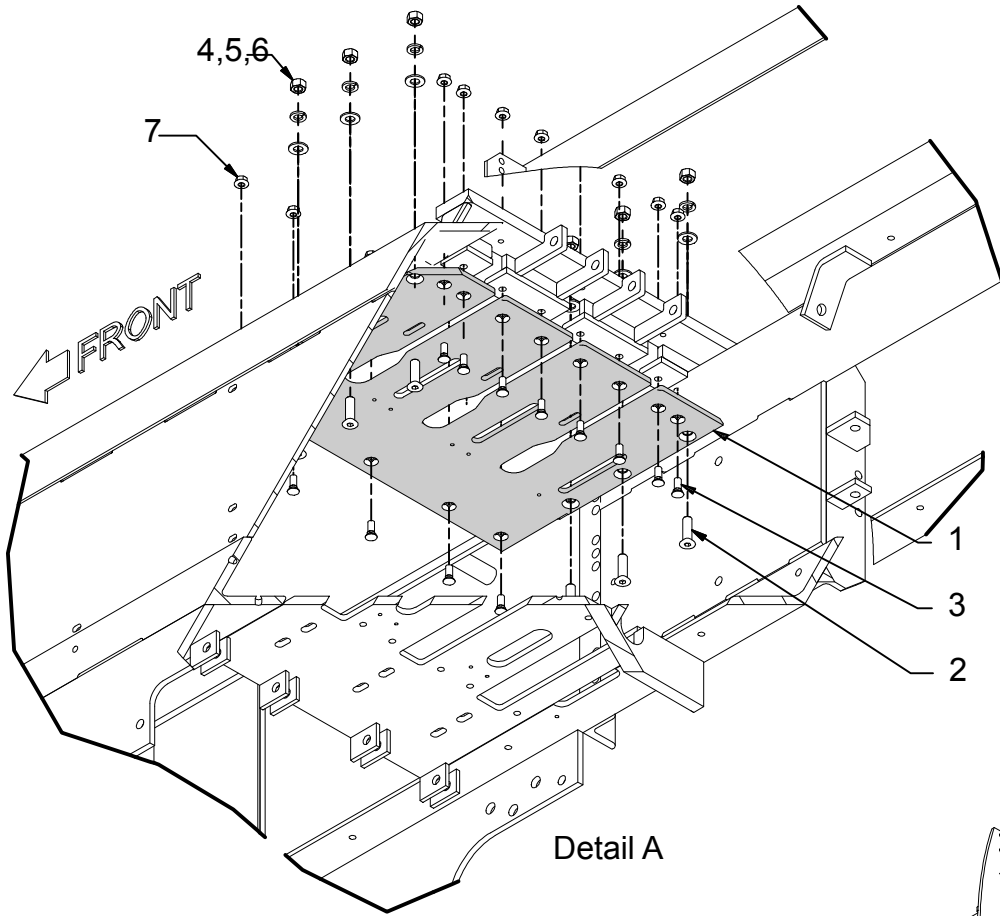
### CHAMBER LINERS 16" TO 14"

(5 OF 5)

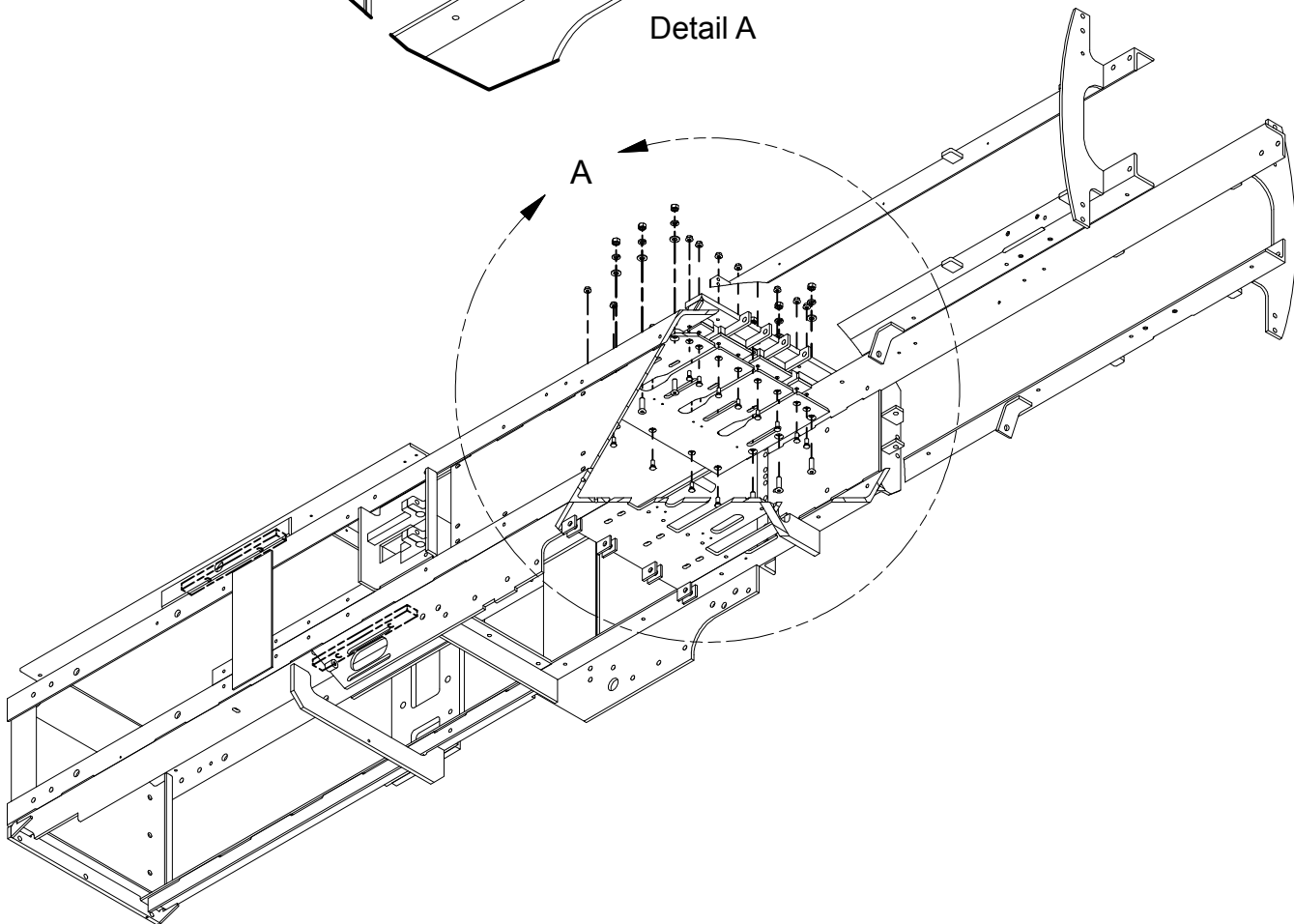


INTENTIONALLY LEFT BLANK

### TOP PLATE INSTALLATION (370)



Detail A

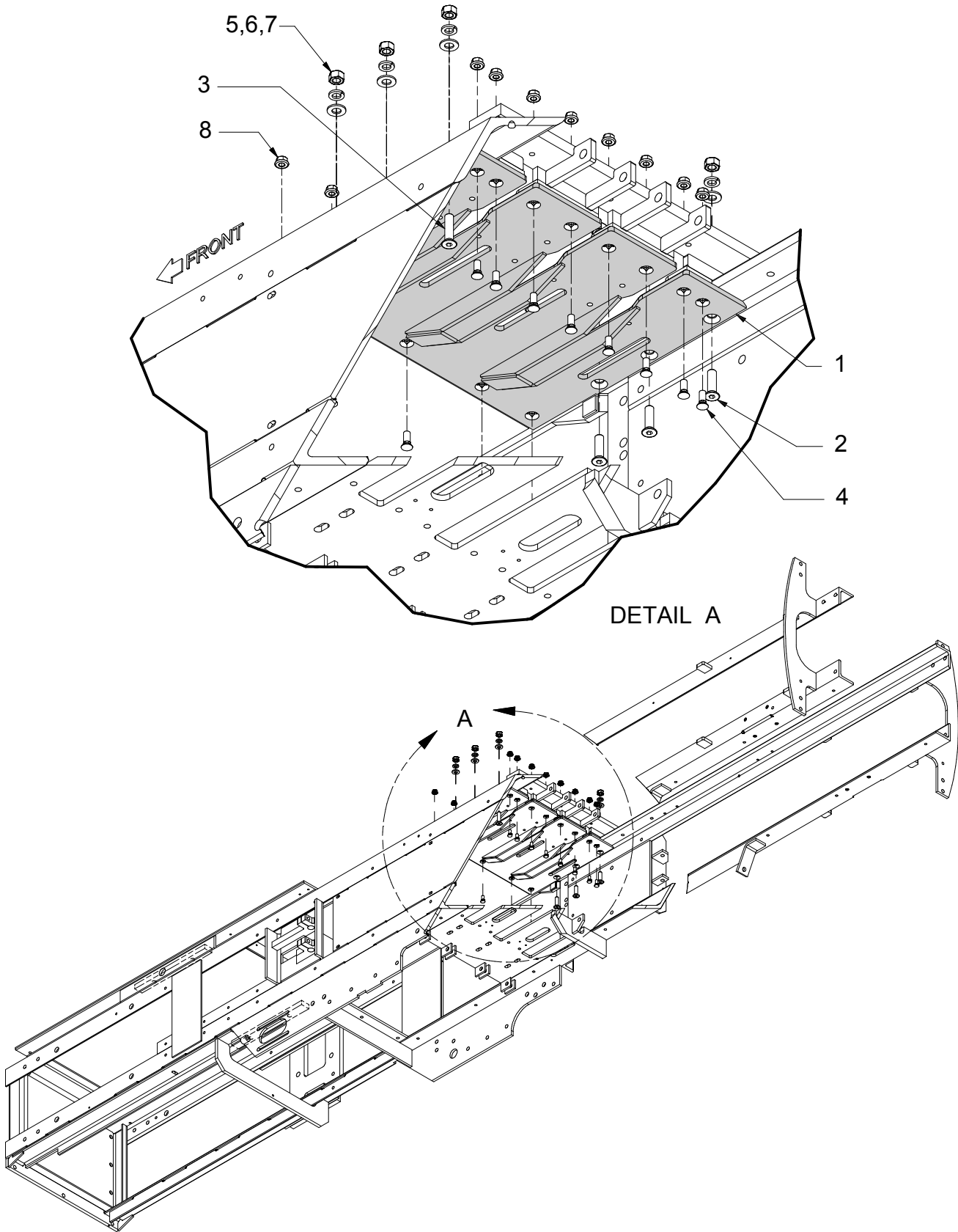


---

**TOP PLATE INSTALLATION (370)**

REF NO.	PART NO.	DESCRIPTION	QTY. USED
	<b>904036</b>	<b>TOP PLATE INSTALLATION</b>	
1	902535	. PLATE, TOP	1
2	Y09G-0828	. CAPSCREW	6
3	PWB3751000	. BOLT, PLOW	13
4	223634	. WASHER	6
5	234665	. LOCKWASHER	6
6	221711W	. NUT	6
7	09411507	. NUT	13

### TOP PLATE INSTALLATION (375)



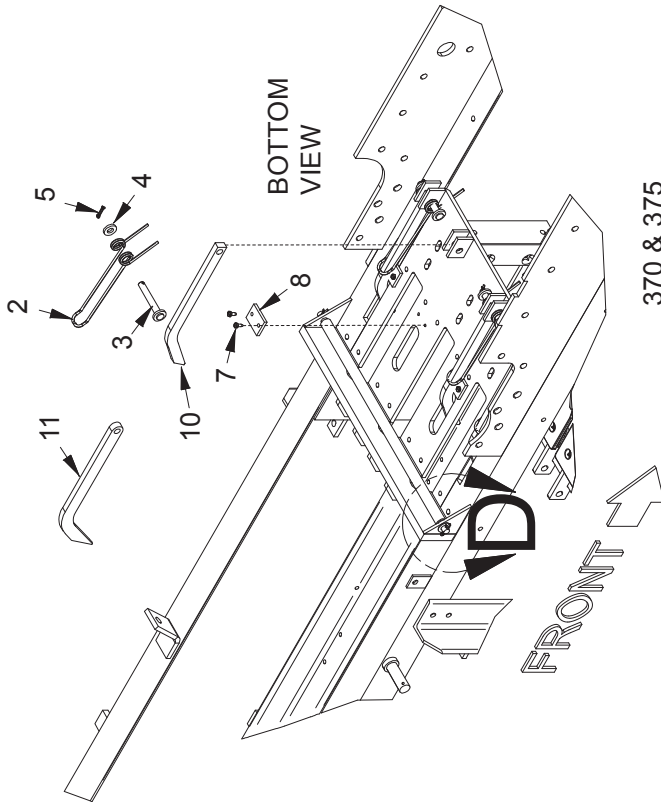


---

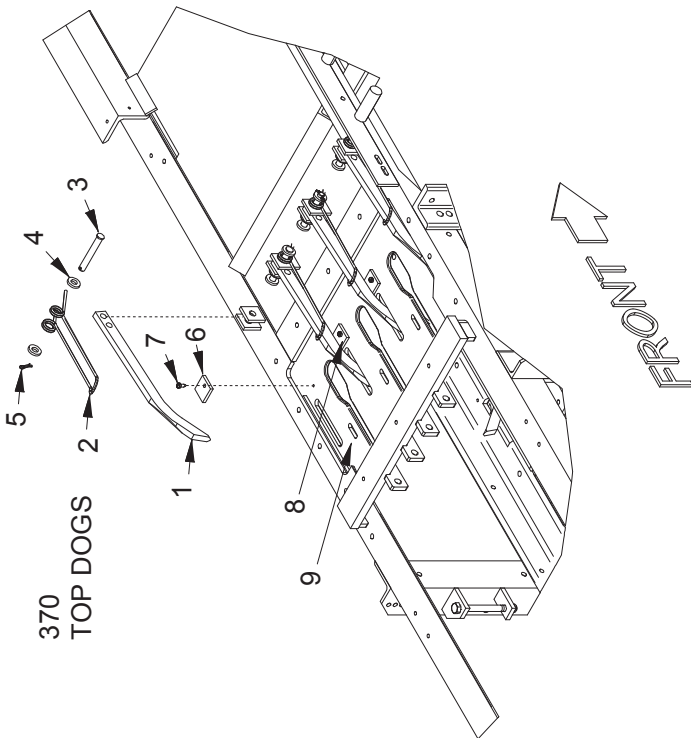
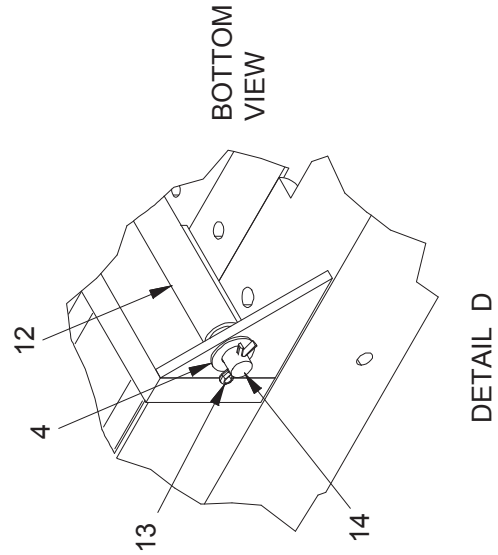
**TOP PLATE INSTALLATION (375)**

REF NO.	PART NO.	DESCRIPTION	QTY. USED
	<b>904037</b>	<b>TOP PLATE INSTALLATION</b>	
1	902534	. PLATE, TOP	1
2	Y09G-0828	. CAPSCREW	3
3	Y09G-0832	. CAPSCREW	3
4	PWB3751000	. BOLT, PLOW	13
5	223634	. WASHER	6
6	234665	. LOCKWASHER	6
7	221711W	. NUT	6
8	09411507	. NUT	13

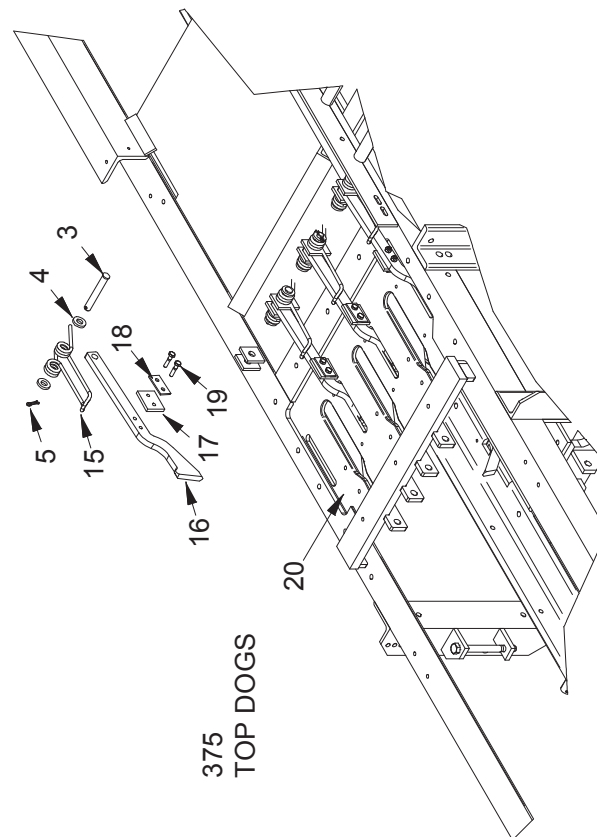
### HAY DOGS



370 & 375  
BOTTOM DOGS



370  
TOP DOGS



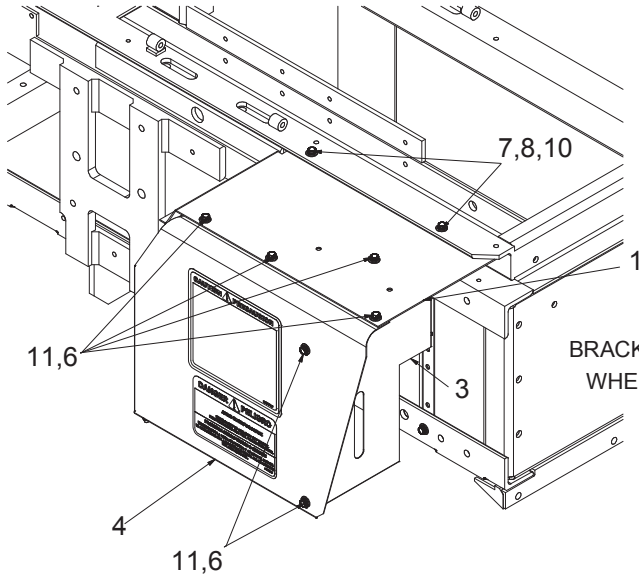
375  
TOP DOGS

---

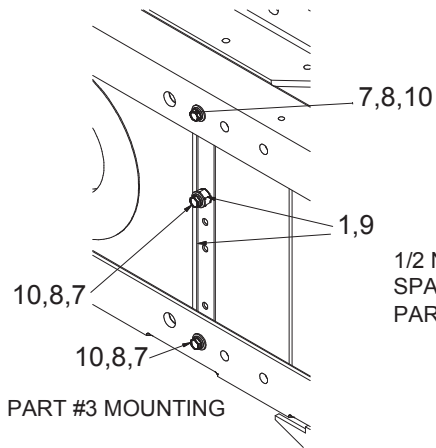
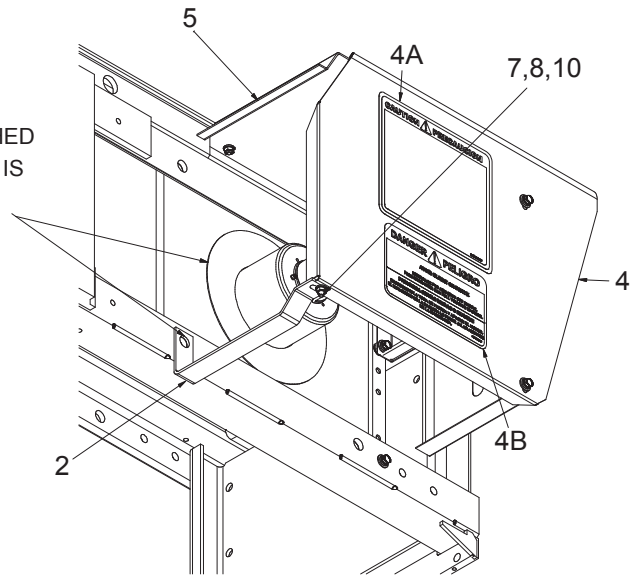
**HAY DOGS**

<b>REF NO.</b>	<b>PART NO.</b>	<b>DESCRIPTION</b>	<b>QTY. USED</b>
1	F000007911	HAY DOG TOP 370	4
2	F000000188	SPRING, HAY DOG	8
3	F000000220	HAY DOG PIN	8
4	239519	WASHER	16
5	COT0000500	COTTER PIN	16
6	PAD0025219	PAD	2
7	221872	SCREW	14
8	PAD0025218	PAD	6
9	902535	PLATE, TOP 370	1
10	F000000837	HAY DOG BOTTOM	4
11	DOG0018520	HAY DOG BOTTOM KITTED 16 TO 15	4
12	F000008105	GUIDE PIPE	1
13	COT0000801	COTTER PIN	1
14	F000008104	ROD, GUIDE	1
15	SPG0023160	SPRING, HAY DOG 375	4
16	DOG0035704	TOP HAY DOG 375	4
17	CUS0032524	TOP PAD, 385	4
18	CLP0032525	PLATE, CLAMP	4
19	234478	SCREW	8
20	902534	PLATE, TOP 375	1

**FEED ARM/CONNECTING ARM SHIELD**



BRACKET IS ATTACHED  
WHEN SIDE PLATE IS  
MOUNTED.



1/2 NUT IS USED AS  
SPACER BETWEEN  
PART #2 AND PART #3

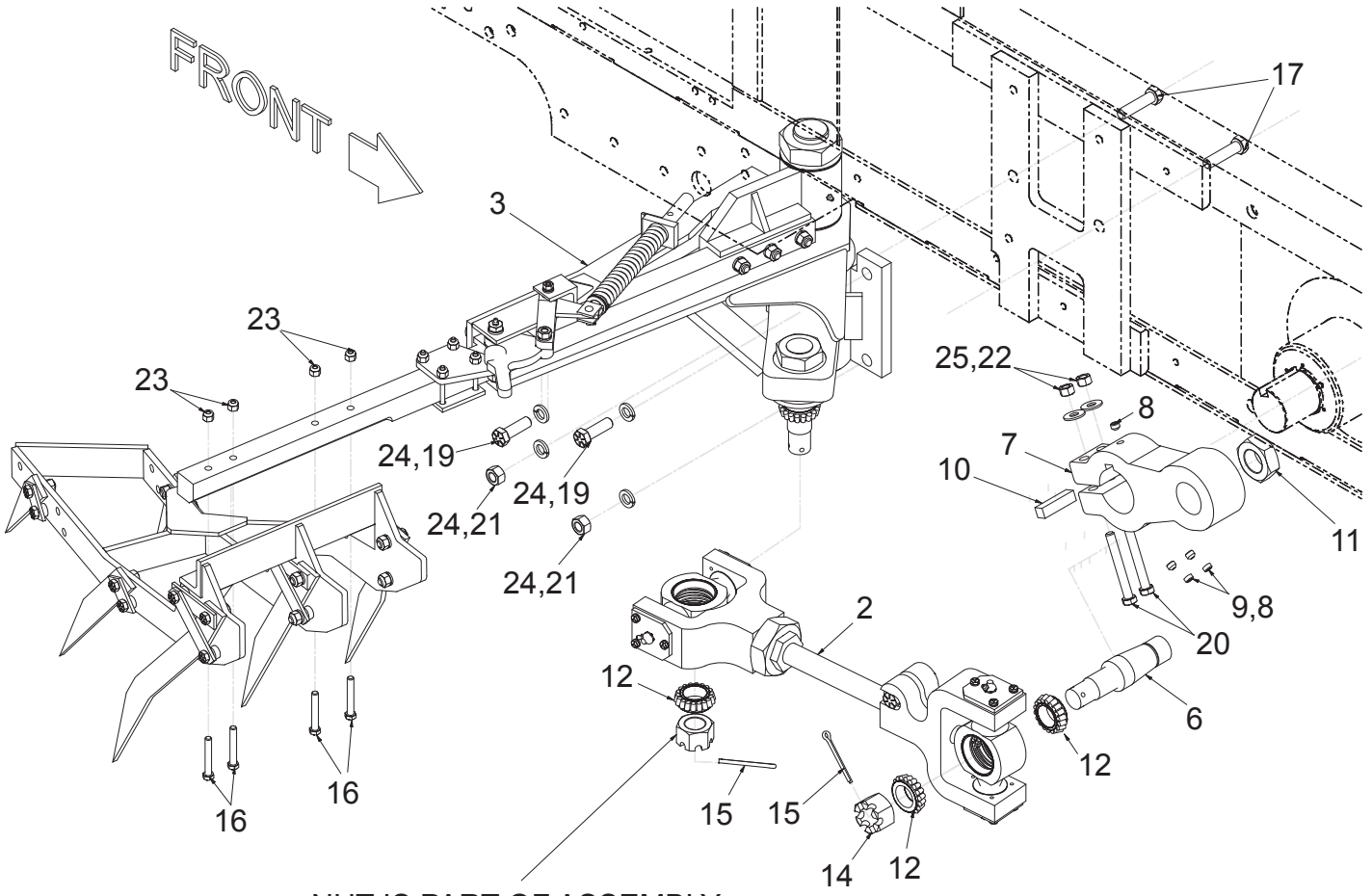
PART #3 MOUNTING

---

**FEED ARM/CONNECTING ARM SHIELD**

<b>REF NO.</b>	<b>PART NO.</b>	<b>DESCRIPTION</b>	<b>QTY. USED</b>
1	SHD0006906	PLATE, MOUNTING	1
2	SHD0016332	PLATE, BRACE	1
3	903984	SHIELD, CRANK ARM	1
4	903319	CRANK ARM SHIELD-SIDE SECTION	1
4A	FD00023473	. DECAL, CAUTION( 9 1/4 X 10)	1
4B	FD00025126	. DECAL, PICKUP HAZARD WARNING	1
5	SHD0007002	PLATE, SHIELD	1
6	SMS0000184	BOLT, WHIZ	7
7	SMS0000177	BOLT, WHIZ	5
8	223428	WASHER	12
9	221711W	NUT	1
10	00273802	NUT	6
11	NCC0003125	CAGE NUT	6

### FEED ARM DRIVE INSTALLATION



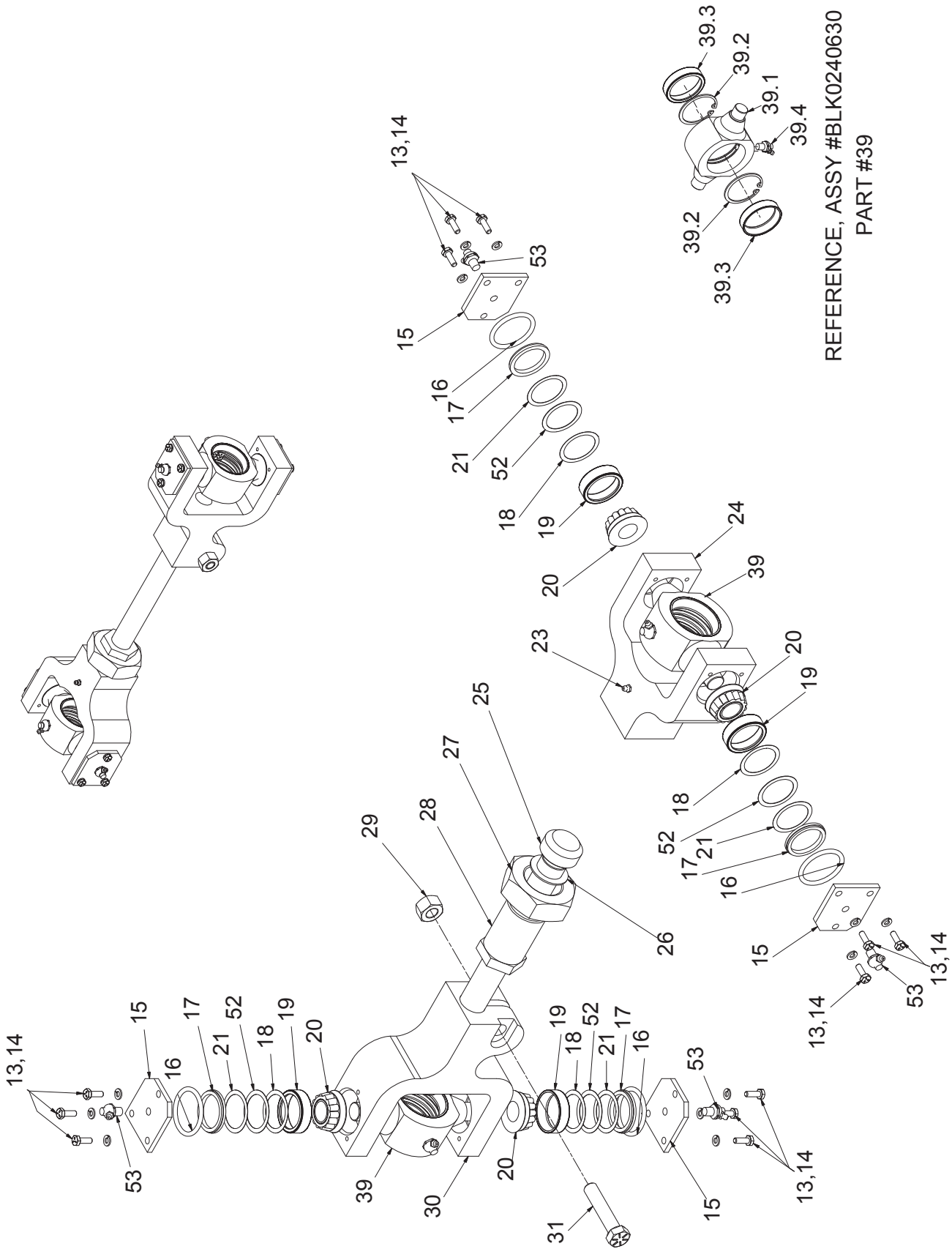
NUT IS PART OF ASSEMBLY  
#FAF2410800

---

**FEED ARM DRIVE INSTALLATION**

<b>REF NO.</b>	<b>PART NO.</b>	<b>DESCRIPTION</b>	<b>QTY. USED</b>
1	F00007966	FEED FORK ASSEMBLY	1
2	ARM0000027	CONNECT ROD ASSY, FEED ARM	1
3	FAF2410800	PIVOT SHAFT ASSEMBLY	1
6	PIN0024065	PIN, FEED ARM CRANK	1
7	CRA0024058	PLATE, CRANK ARM	1
8	STS5000500	SET SCREW	3
9	STS5000250	SET SCREW	2
10	ZZ00000456	KEY	1
11	NMS0024111	NUT	1
12	BRG0048500	BEARING ASSEMBLY	3
14	229933	NUT, SLOTTED	1
15	COT0001006	COTTER PIN	2
16	Y18C-0640	CAPSCREW	4
17	221630W	CAPSCREW	2
19	Y17C-1032	CAPSCREW	2
20	R13802054	CAPSCREW	2
21	229952	NUT	2
22	NHF0005000	NUT	2
23	224118	NUT	4
24	223694	LOCKWASHER	4
25	R13811433	WASHER	2

**FEED ARM CONNECTING ROD ASSEMBLY**



REFERENCE, ASSY #BLK0240630  
PART #39



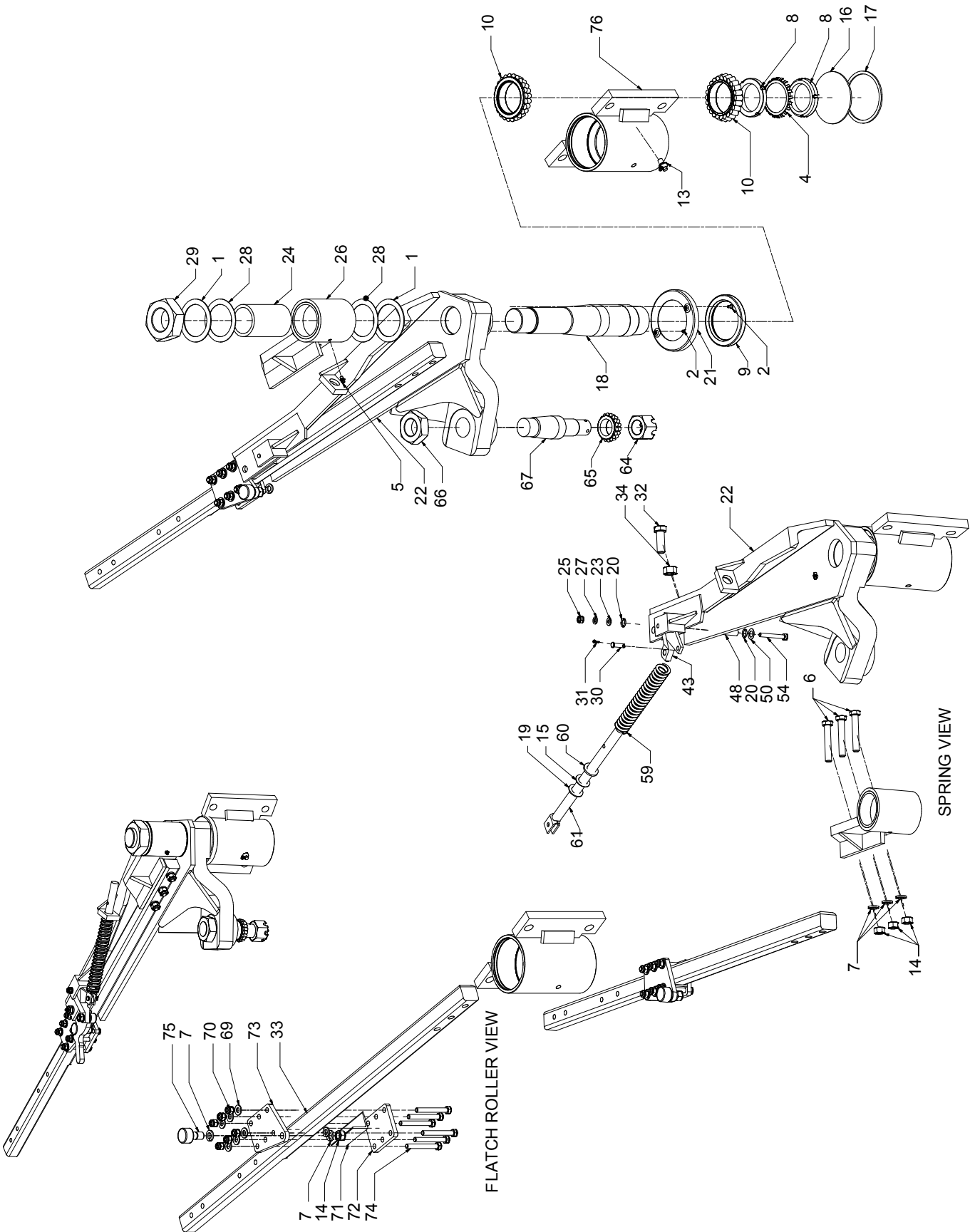
## FEED ARM CONNECTING ROD ASSEMBLY

REF NO.	PART NO.	DESCRIPTION	QTY. USED	REF NO.	PART NO.	DESCRIPTION	QTY. USED
	<b>ARM0000027</b>	<b>FEED ARM CONNECTING ROD ASSY</b>					
13	223574	. CAPSCREW	12	26	ZZ00000207	. BUSHING	1
14	223871	. LOCKWASHER	12	27	F000008140	. JAM NUT	1
15	CVR0024052	. PLATE, CAP	4	28	F000008259	. NUT, SWIVEL	1
16	203513	. O-RING	4	29	NFH0625000	. NUT	1
17	SPC0024066	. SPACER	4	30	YOK0024056	. YOKE, BRG BLOCK	1
18	SHM2406702	. SHIM, BRG	AR	31	R13806355	. CAPSCREW	1
19	BRG0012610	. BEARING CUP	4	39	BLK0240630	. BEARING BLOCK ASSEMBLY	1
20	BRG0012600	. BEARING ASSEMBLY	4	39.1	BLK0024063	. BEARING BLOCK	1
21	SHM2406701	. SHIM, BRG	AR	39.2	Y435241.047	. RING RETAINING	2
23	11079	. FITTING, LUBE	1	39.3	BRG0048510	. BEARING CUP	2
24	YOK0024055	. YOKE, SWIVEL	1	39.4	F000001661	. FITTING	1
25	F000008258	. ROD, CONNECTING	1	52	SHM2406700	. SHIM, BRG	AR
				53	F000001661	. FITTING	4

AR - AS REQUIRED

### FEED ARM PIVOT SHAFT ASSEMBLY

(1 OF 2)

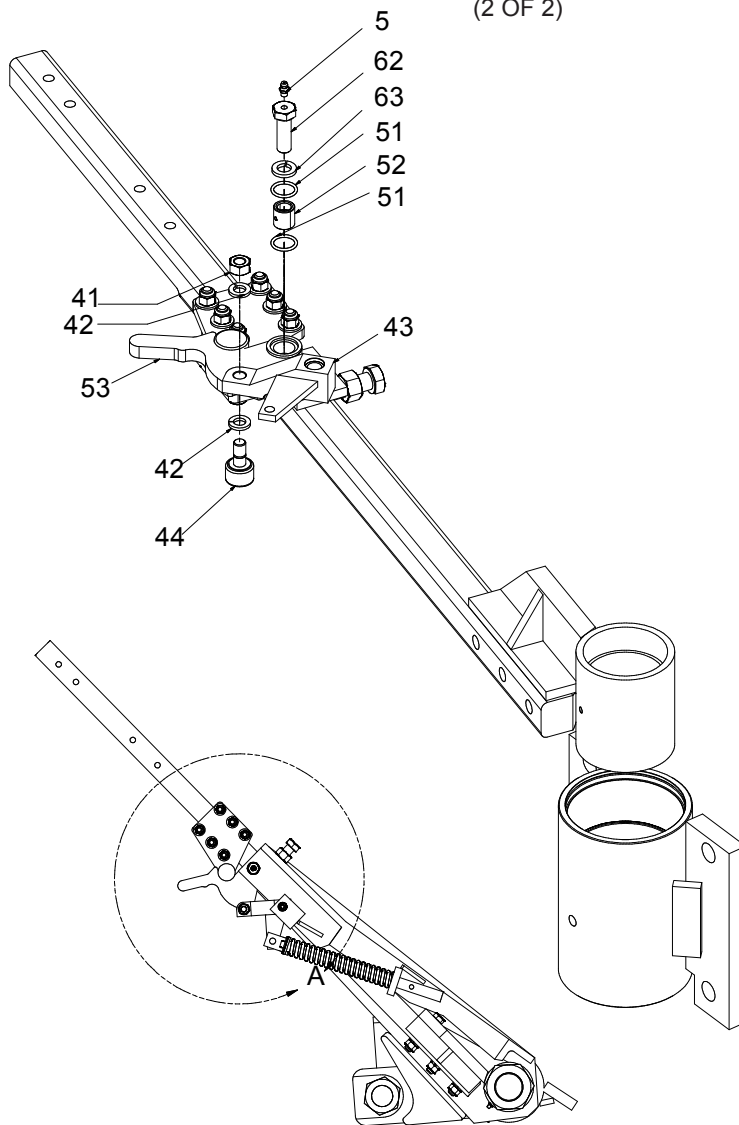


## FEED ARM PIVOT SHAFT ASSEMBLY

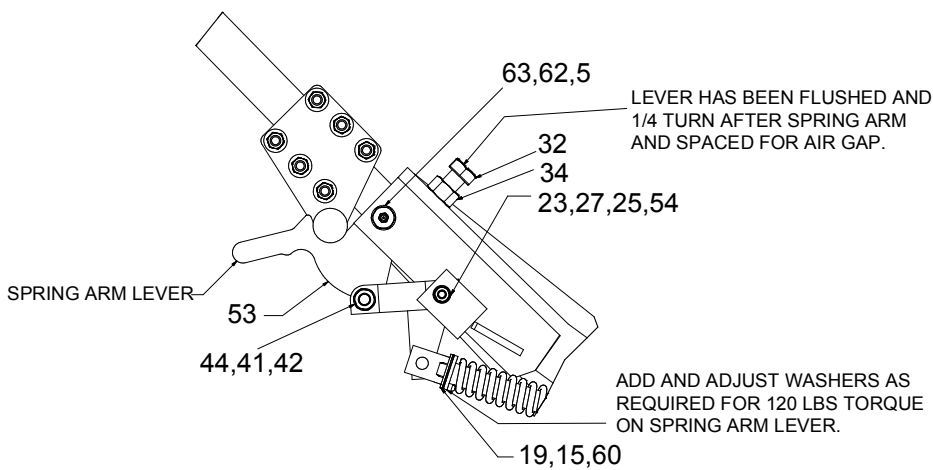
REF NO.	PART NO.	DESCRIPTION	QTY. USED	REF NO.	PART NO.	DESCRIPTION	QTY. USED
	<b>FAF2410800</b>	<b>PIVOT SHAFT ASSEMBLY</b>					
1	F000008187	. PLATE, WASHER	2	32	Y17C-1028	. CAPSCREW	1
2	Y10G-(1032)62	. CAPSCREW	2	33	F000007529	. BAR	1
4	F000008132	. LOCKWASHER	1	34	229952	. NUT	1
5	11079	. FITTING, LUBE	2	41	221398	. NUT	1
6	R13806350	. CAPSCREW	3	42	200603	. LOCKWASHER	2
7	234665	. LOCKWASHER	5	43	F000007606	. TRIP ARM ASSEMBLY	1
8	F000008131	. NUT, BRG	2	44	F000000822	. SEALED CAM FOLLOWER	1
9	F000008135	. SEAL	1	48	F000008262	. SLEEVE	1
10	F000008134	. BEARING CONE	2	50	F000008315	. WASHER	1
13	F000001661	. FITTING	1	51	F000007610	. QUAD-RING	2
14	221712W	. NUT	4	52	F000007607	. BEARING, INNER RACE	1
15	ZZ00000201	. BUSHING	1	53	F000007604	. LATCH HOOK	1
16	F000008129	. PLATE, HSG CAP	1	54	241691	. CAPSCREW	1
17	F000008130	. RING, RETAINING	1	59	F000008296	. SPRING, TRIP ARM	1
18	F000008126	. SHAFT, PIVOT	1	60	226272	. BUSHING	1
19	ZZ00000206	. BUSHING	1	61	ROD0013590	. SPRING ROD	1
20	60653W	. ORING	2	62	F000007605	. CAPSREW	1
21	F000008136	. PLATE,DUST CAP	1	63	R13812516	. LOCKWASHER	1
22	FAF0024108	. FEED ARM	1	64	229933	. NUT, SLOTTED	1
23	R13802619	. WASHER	1	65	BRG0048500	. BEARING ASSEMBLY	1
24	F000008139	. TUBE, SLEEVE	1	66	NMS0024111	. NUT	1
25	R13803725	. NUT	1	67	PIN0024065	. PIN,FEED ARM CRANK	1
26	F000008127	. HOUSING ASSEMBLY	1	69	Y27E-06	. WASHER	6
	F000008141	. . BUSHING 2 PAIR		70	237567	. NUT	6
27	201566	. LOCKWASHER	1	71	903597	. ANGLE	1
28	F000008334	. PLATE, WASHER	2	72	903596	. PLATE, BTM	1
29	F000008140	. JAM NUT	1	73	903595	. PLATE, TOP	1
30	F000001561	. CLEVIS PIN	1	74	R13811043	. CAPSCREW	6
31	COT0000500	. COTTER PIN	1	75	F000004050	. ROLLER	1
				76	903850	. BEARING HOUSING ASSEMBLY	1

**FEED ARM PIVOT SHAFT ASSEMBLY**

(2 OF 2)

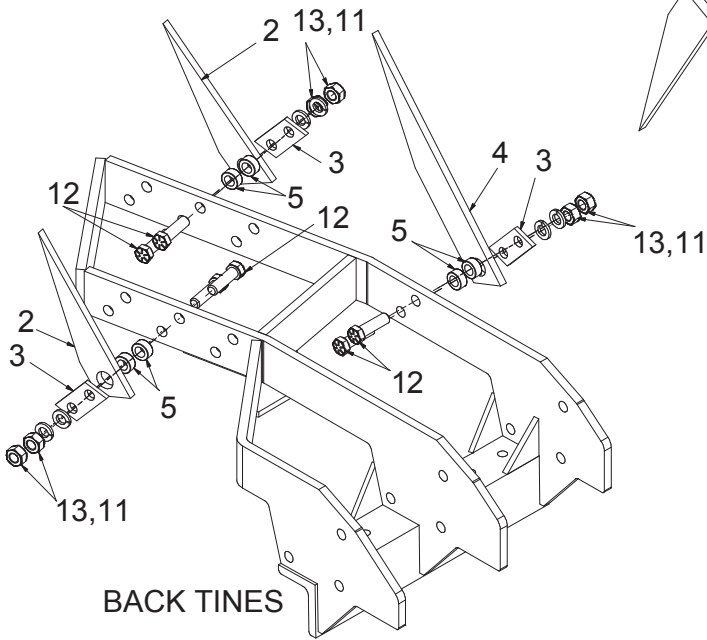
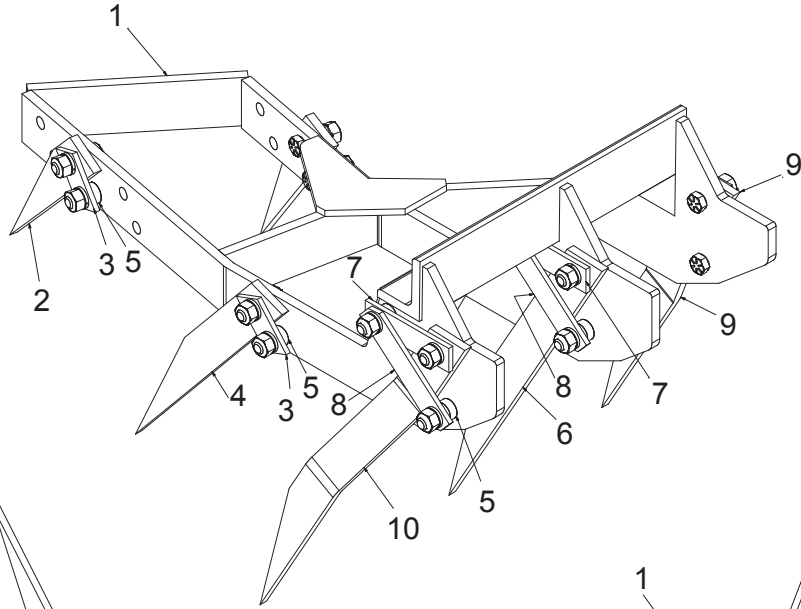


**ASSEMBLY NOTES**

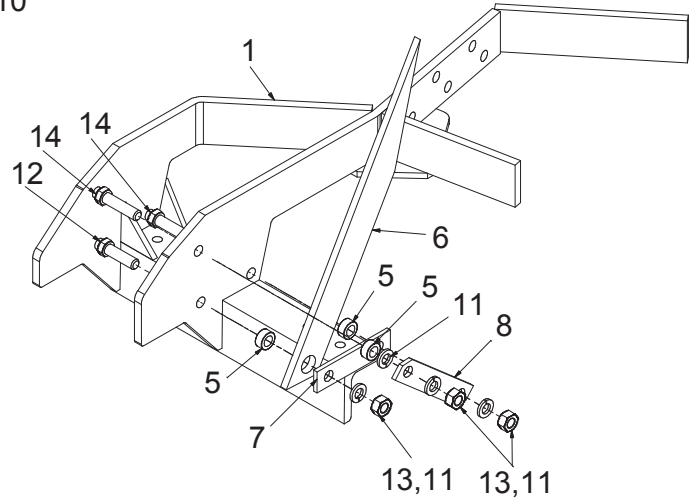


INTENTIONALLY LEFT BLANK

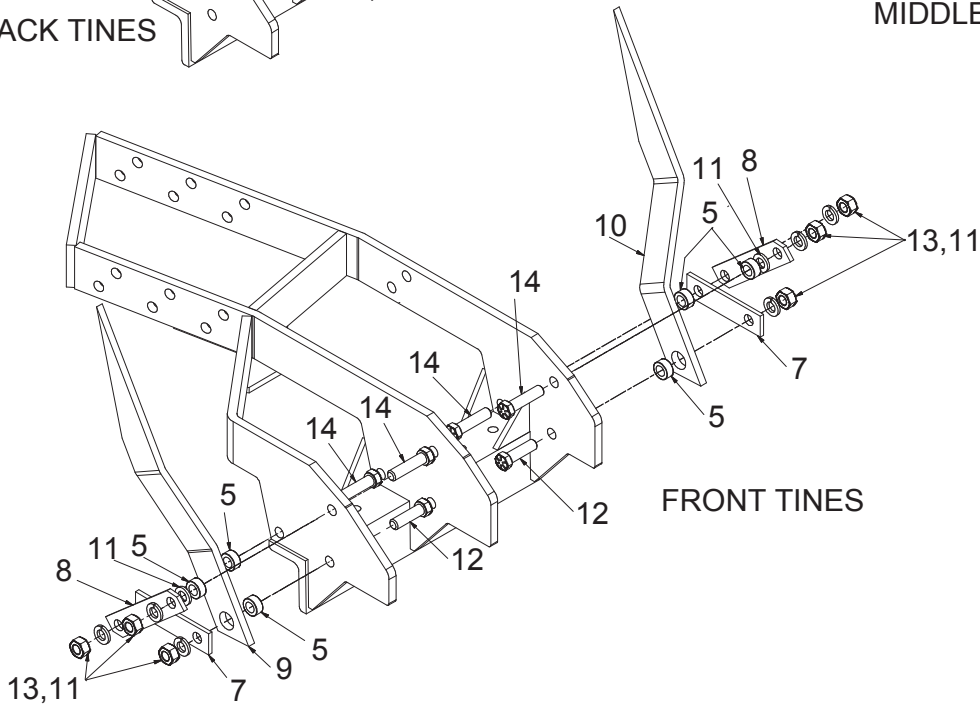
**FEED FORK ASSEMBLY**



**BACK TINES**



**MIDDLE TINE**



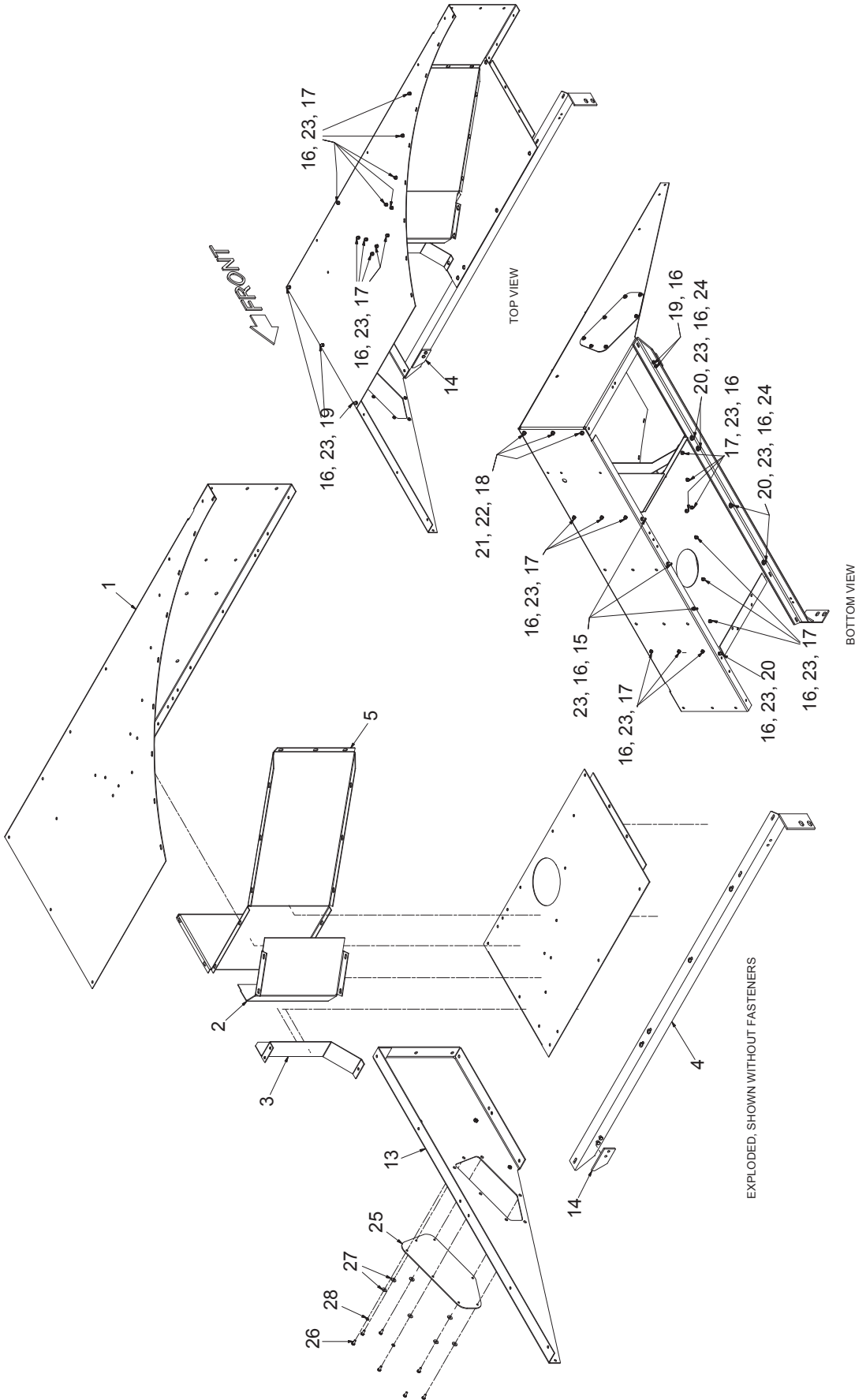
**FRONT TINES**

---

**FEED FORK ASSEMBLY**

REF NO.	PART NO.	DESCRIPTION	QTY. USED
	<b>F00007966</b>	<b>FEED FORK ASSEMBLY F/16" FRAME</b>	
1	F00008231	. FRAME, FEED FORK	1
2	F00001603	. PLATE, LEADING TINE	2
3	F00001195	. BAR, CLIP	3
4	F00001189	. PLATE, LEADING TINE	1
5	F00001193	. BUSHING	15
6	F00007968	. PLATE, CENTER TINE	1
7	F00007970	. STRAP, INSIDE	3
8	F00007971	. BAR, STRAP	3
9	F00007967	. PLATE, TINE	1
10	F00007969	. PLATE, TINE	1
11	200603	. LOCKWASHER	18
12	R13810879	. CAPSCREW	9
13	221710W	. NUT	15
14	R13802037	. CAPSCREW	6

### FEEDER HOUSE ASSEMBLY



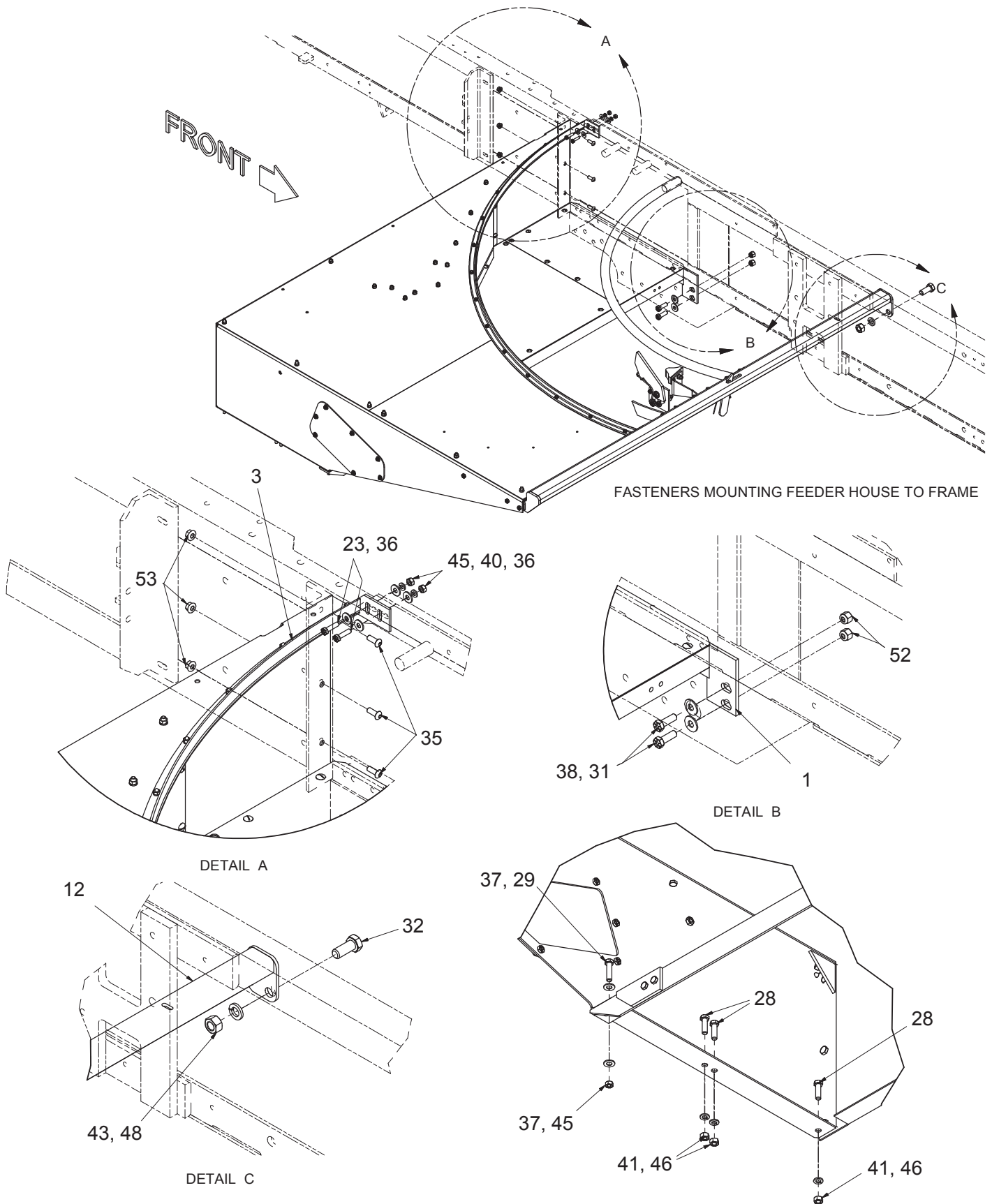


## FEEDER HOUSE ASSEMBLY

REF NO.	PART NO.	DESCRIPTION	QTY. USED	REF NO.	PART NO.	DESCRIPTION	QTY. USED
	<b>FH00016370</b>	<b>FEEDER HOUSE ASSEMBLY</b>					
1	FH00020212	. FEEDER HOUSE SECTION	1	18	162572W	. CAPSCREW	3
2	FH00020905	. BACK SHEET, FEEDER HOUSE	1	19	18497W	. CAPSCREW	5
3	FH00020987	. AUGER TROUGH EXTENSION	1	20	SMTS020002	. SCREW	5
4	SUP0023008	. SUPPORT, FEEDER HOUSE	1	21	201567	. WASHER	3
5	FH000200867	. BACK PLATE, FEEDER HOUSE	1	22	R13809551	. NUT	3
12	FH00020198	. PLATE, BOTTOM FEEDER HOUSE	1	23	R13811512	. NUT	37
13	FH00004907	. END PLATE, FEEDER HOUSE	1	24	R13802621	. WASHER	4
14	F000007394	. PLATE, PICKUP STOP	1	25	902681	. DOOR, FRONT END ACCESS	1
15	R13811015	. CAPSCREW	3	26	16378W	. CAPSCREW	7
16	R13812513	. WASHER	37	27	R13802619	. WASHER	7
17	SMT0000201	. SCREW	24	28	223871	. WASHER	7

# FEEDER HOUSE INSTALLATION

(1 OF 2)



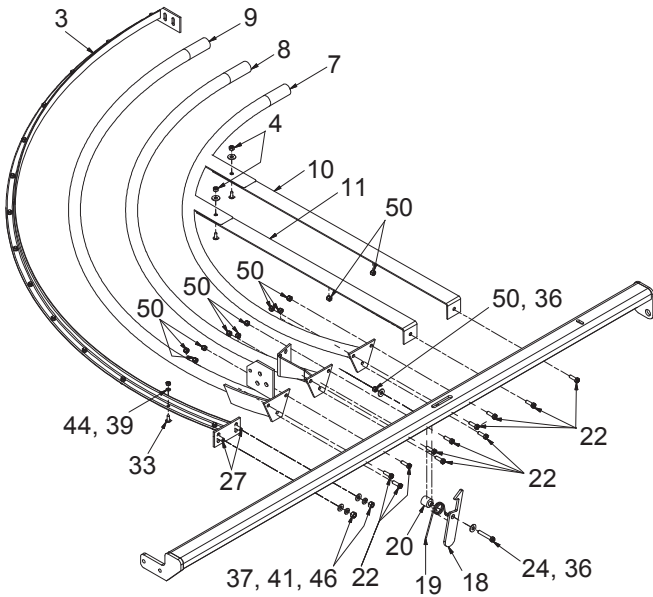
## FEEDER HOUSE INSTALLATION

REF NO.	PART NO.	DESCRIPTION	QTY. USED	REF NO.	PART NO.	DESCRIPTION	QTY. USED
<b>901970 FEEDER HOUSE INSTALLATION</b>							
1 *	FH00016370	. FEEDER HOUSE ASSY	1	28	221599W	. CAPSCREW	3
2	SPC036500B	. PLATE	1	29	Y17C-0624	. CAPSCREW	3
3	GRD035979D	. GUARD, FEEDER HOUSE	1	30	134328W	. CAPSCREW	1
4	F000007145	. PLATE, WEAR	1	31	200454W	. CAPSREW	2
5	CVR0020465	. COVER, PICKUP TOP FRONT	1	32	180189W	. CAPSCREW	1
7	GRD036018E	. GUARD, INNER PIPE LH	1	33	SMTS001001	. SCREW	16
8	GRD036019E	. GUARD, SIDE FEEDS CENTER	1	34	SMT0000202	. SCREW	7
9	GRD036020E	. GUARD, OUTER PIPE	1	35	18738W	. CAPSCREW	3
10	F000007160	. BAR, HOLD DOWN	1	36	223428	. WASHER	14
11	F000007159	. BAR, HOLD DOWN	1	37	223427	. WASHER	4
12	SUP0018768	. SUPPORT	1	38	239519	. WASHER	2
13	F000007275	. SPRING	2	39	R13812512	. WASHER	14
14	F000007276	. FERRULE, FEEDER HOUSE	1	40	R13812513	. WASHER	11
15	F000001563	. CATCH, TORQUE SHAFT	1	41	234135	. WASHER	11
16	F000000281	. SPRING, FEED ARM LATCH	1	42	201568	. WASHER	1
17	F000008264	. BUMPER, RUBBER	1	43	200608	. WASHER	1
18	SHD0007096	. PLATE, LATCH	1	44	221703W	. NUT	14
19	SPG0007095	. SPRING, HOOD LATCH	1	45	221705W	. NUT	21
20	05-130	. SPACER	1	46	231106	. NUT	11
21	SPC0031363	. SPACER, PLATE	1	47	R13806770	. NUT	1
22	R13811014	. CAPSCREW	11	48	221716W	. NUT	1
23	R13811015	. CAPSCREW	2	49	221708W	. NUT	1
24	221474W	. CAPSCREW	1	50	R13811190	. NUT	12
25	R13811021	. CAPSCREW	2	51	237567	. NUT	1
26	162572W	. CAPSCREW	1	52	223587	. NUT	2
27	Y17C-0616	. CAPSCREW	6	53	09411507	. NUT	3

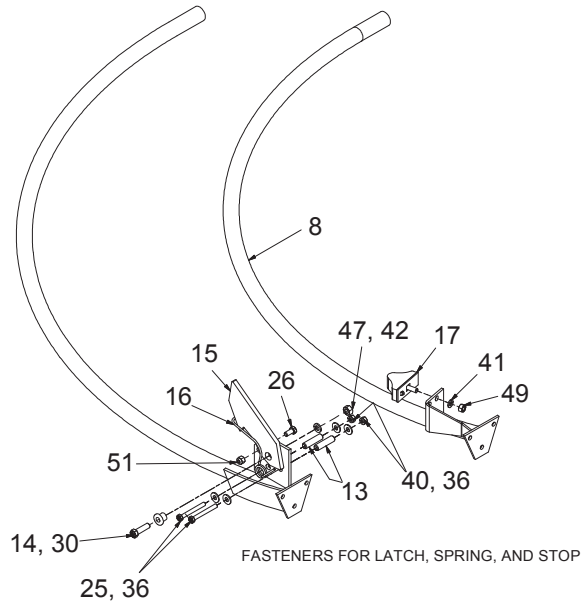
\* SEE PAGE 139

Rev: 03/10 CB

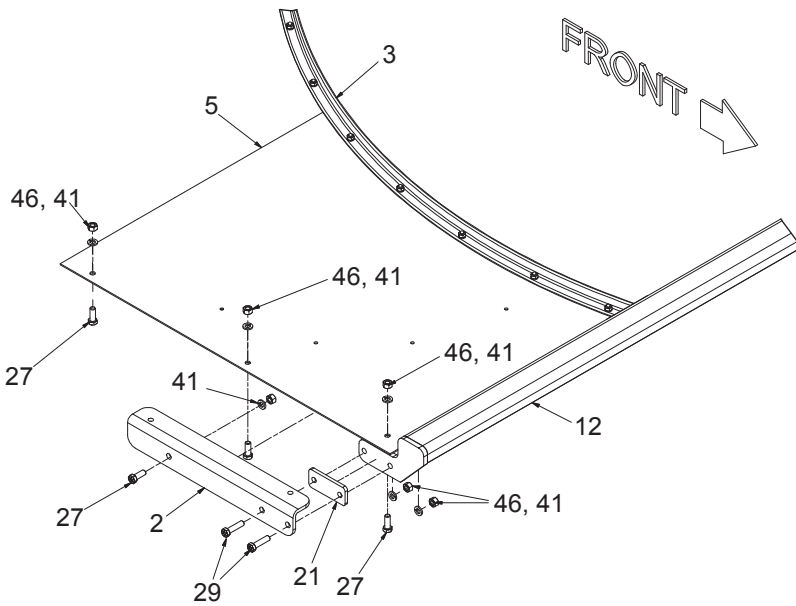
(2 OF 2)



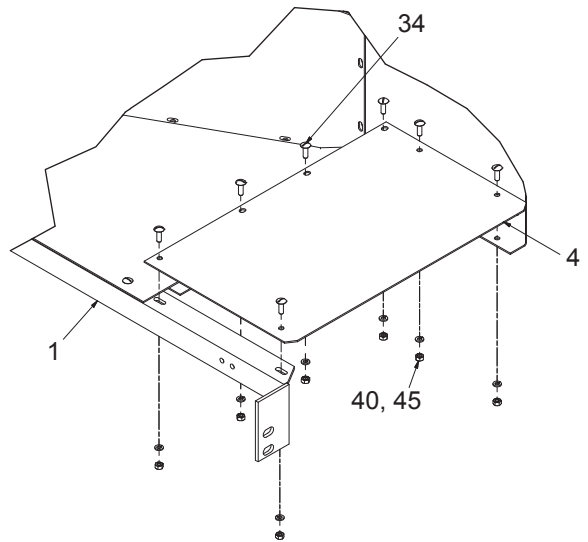
FASTENERS FOR PICKUP GUARD PIPES, ANGLE, AND FRONT



FASTENERS FOR LATCH, SPRING, AND STOP



DETAIL FRONT HOUSING BRACKET AND TOP

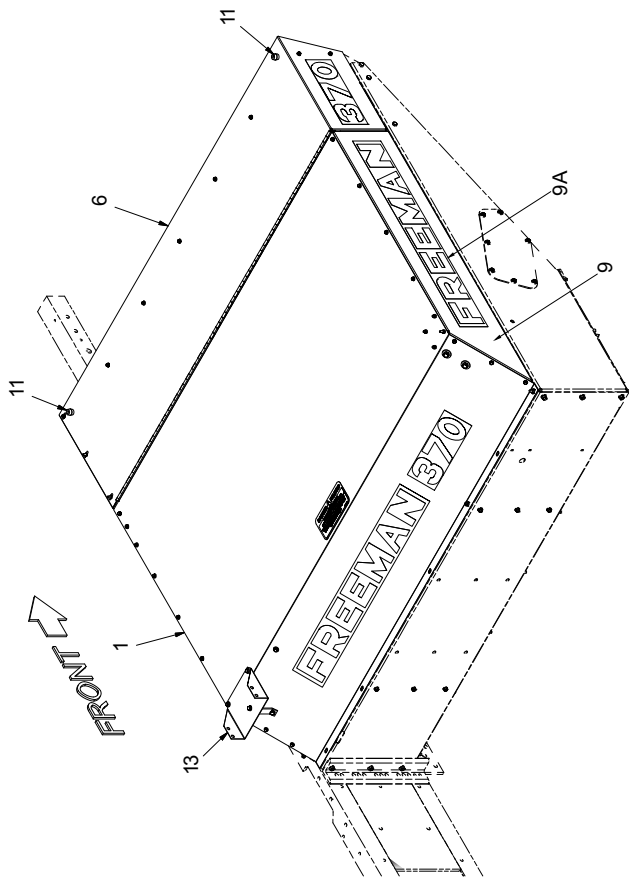
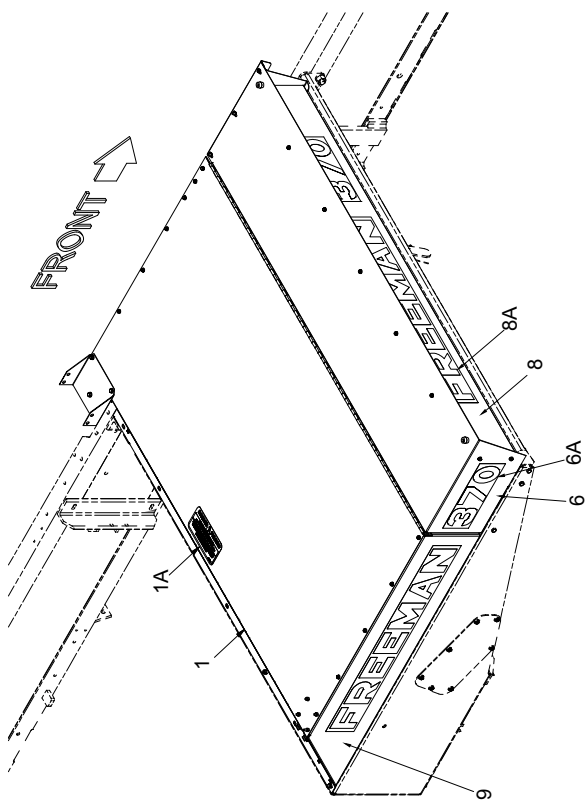
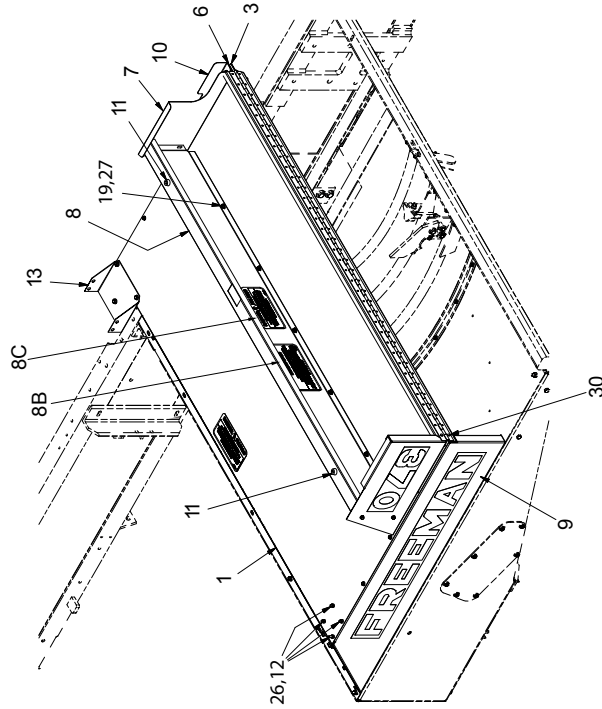


---

INTENTIONALLY LEFT BLANK

# FEEDER HOUSE SHIELDS

(1 OF 2)



## FEEDER HOUSE SHIELDS

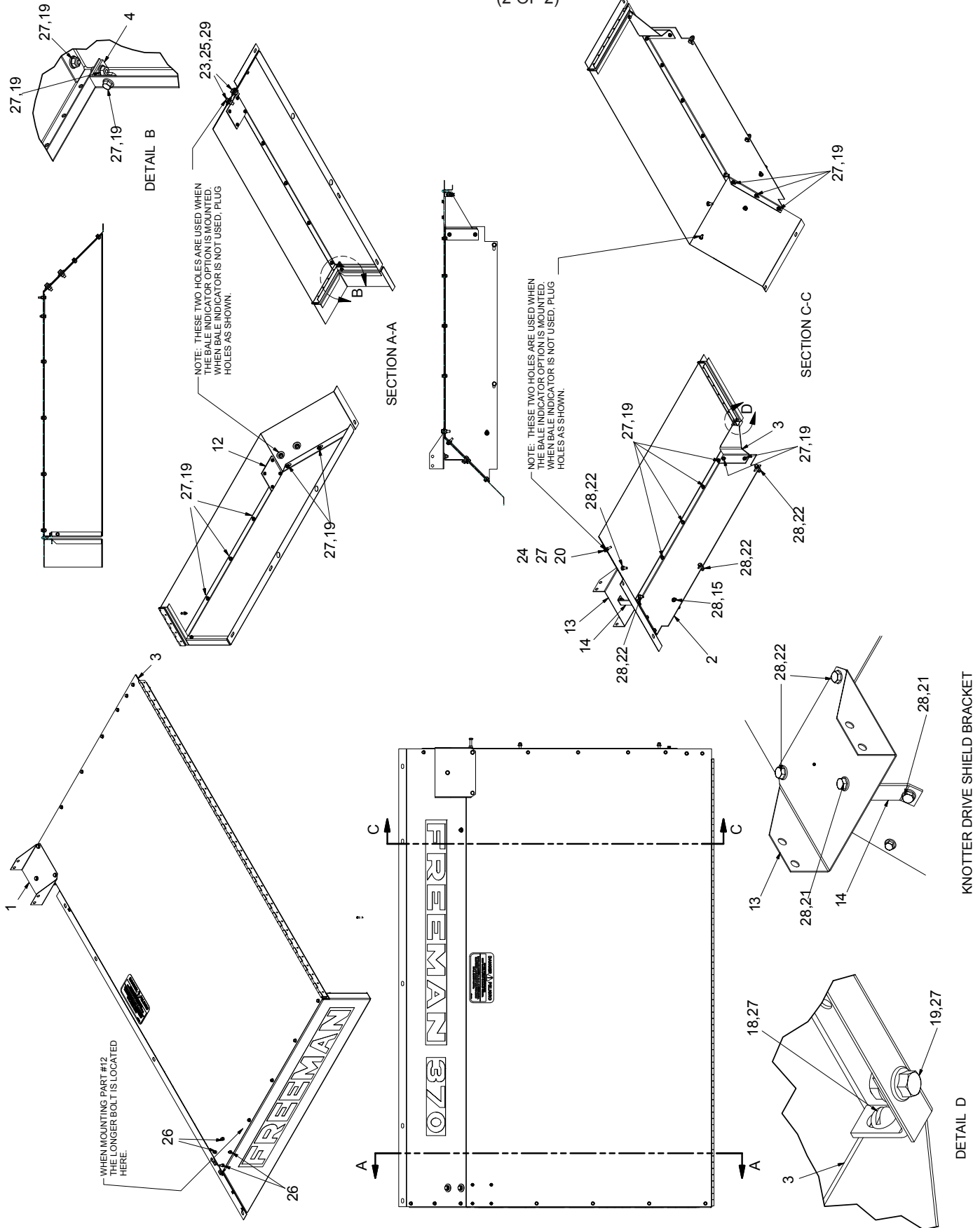
REF NO.	PART NO.	DESCRIPTION	QTY. USED	REF NO.	PART NO.	DESCRIPTION	QTY. USED
	<b>904089</b>	<b>SHIELDING INST, FEED HOUSE 370</b>		<b>10</b>	SHD037322B	. PLATE, SHIELD	1
	<b>904090</b>	<b>SHIELDING INST, FEED HOUSE 375</b>		<b>11</b>	BMP0004243	. BUMPER, RUBBER	6
<b>1</b>	903323	. SHIELD & DECAL, REAR PICKUP; 370	1	<b>12</b>	BKT037150A	. BRACKET, MOUNTING RH	1
	FD00023575	.. DECAL "DANGER! DO NOT RIDE.."	2	<b>13</b>	F000007579	. BRACKET, DRIVE ARM SHIELD	1
	FD00007114	.. DECAL, RED "FREEMAN"	1	<b>14</b>	F000007654	. BRACKET	1
	FD00020864	.. DECAL; 370	1	<b>15</b>	R13811017	. CAPSCREW	1
<b>2</b>	SHD0017231	. PLATE, LH SHIELD	1	<b>16</b>	SMS0000190	. SCREW	2
<b>3</b>	SUP0017230	. PLATE, SHIELD	1	<b>17</b>	R13812880	. SCREW	2
<b>4</b>	SUP0017229	. BRACKET	2	<b>18</b>	R13804248	. SCREW	1
<b>5</b>	HNG0020856	. HINGE	1	<b>19</b>	SMS0000173	. BOLT, WHIZ	32
<b>6</b>	903290	. SHIELD & DECAL, PICKUP FNT 370	1	<b>20</b>	SMS0000305	. BOLT, WHIZ	1
<b>6A*</b>	-----	.. DECAL; MODEL NUMBER	1	<b>21</b>	SMS0000184	. BOLT, WHIZ	2
<b>7</b>	SHD037321D	. PLATE, FNT SHIELD	1	<b>22</b>	SMS0000177	. BOLT, WHIZ	4
<b>8</b>	903303	. SHIELD & DECAL, FACE PLATE; 370	1	<b>23</b>	174413W	. SCREW	2
	FD00007114	.. DECAL; D; FREEMAN (5 X 36 RED)	1	<b>24</b>	223428	. WASHER	1
	FD00025126	.. DECAL; PICKUP HAZARD WARNING	1	<b>25</b>	223427	. WASHER	4
	FD00023575	.. DECAL; DANGER! DO NOT RIDE..	1	<b>26</b>	R13811189	. LOCKNUT	6
	FD00020864	.. DECAL; 370	1	<b>27</b>	09416918	. NUT	34
<b>9</b>	903288	. SHIELD W/DECAL P/U REAR SECT	1	<b>28</b>	00273802	. NUT	8
	FD00007114	.. DECAL; D; FREEMAN (5 X 36 RED)	1	<b>29</b>	09411507	. NUT	2
				<b>30</b>	RIV0000606	. RIVET	72

\* See Chart

SHIELD INST	ITEM 6A
904089	FD00020864
904090	FD00000375

### FEEDER HOUSE SHIELDS

(2 OF 2)

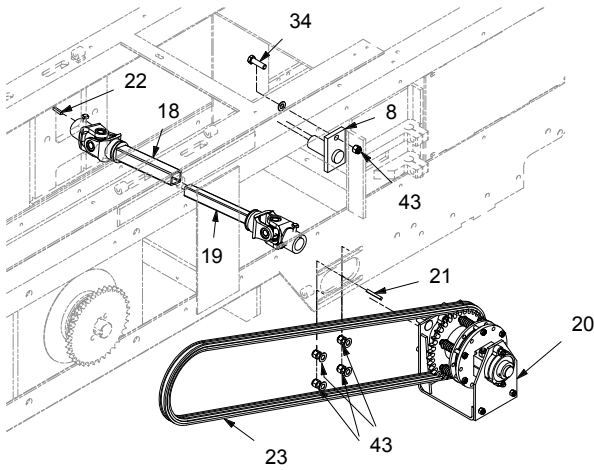




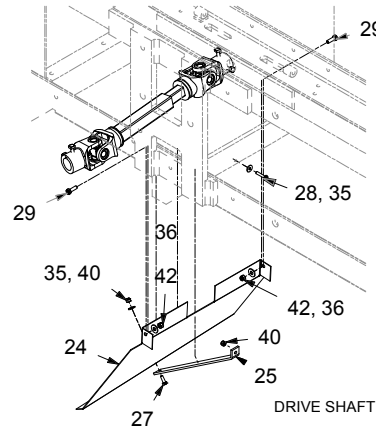
INTENTIONALLY LEFT BLANK

# PICKUP LIFT AND MOUNTING ASSEMBLIES

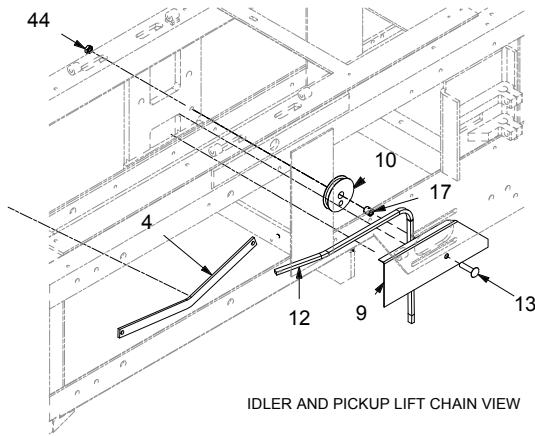
(1 OF 2)



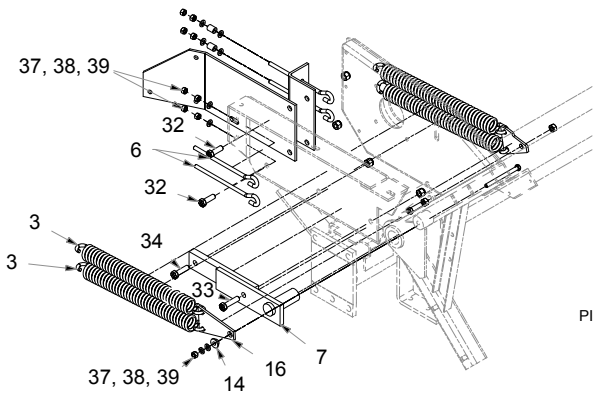
PICKUP CHAIN DRIVE AND SHAFT VIEW



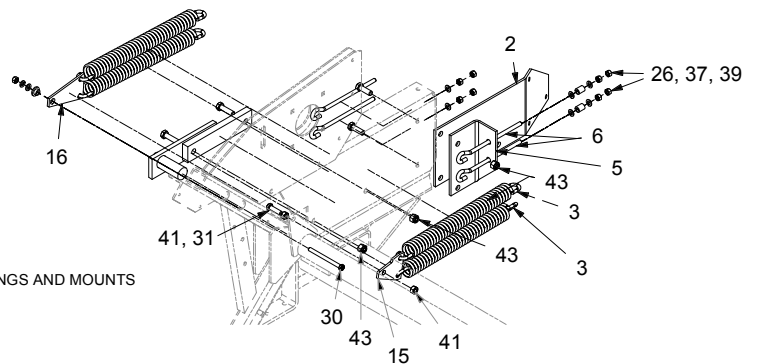
DRIVE SHAFT SHIELD VIEW



IDLER AND PICKUP LIFT CHAIN VIEW



PICKUP SPRINGS AND MOUNTS



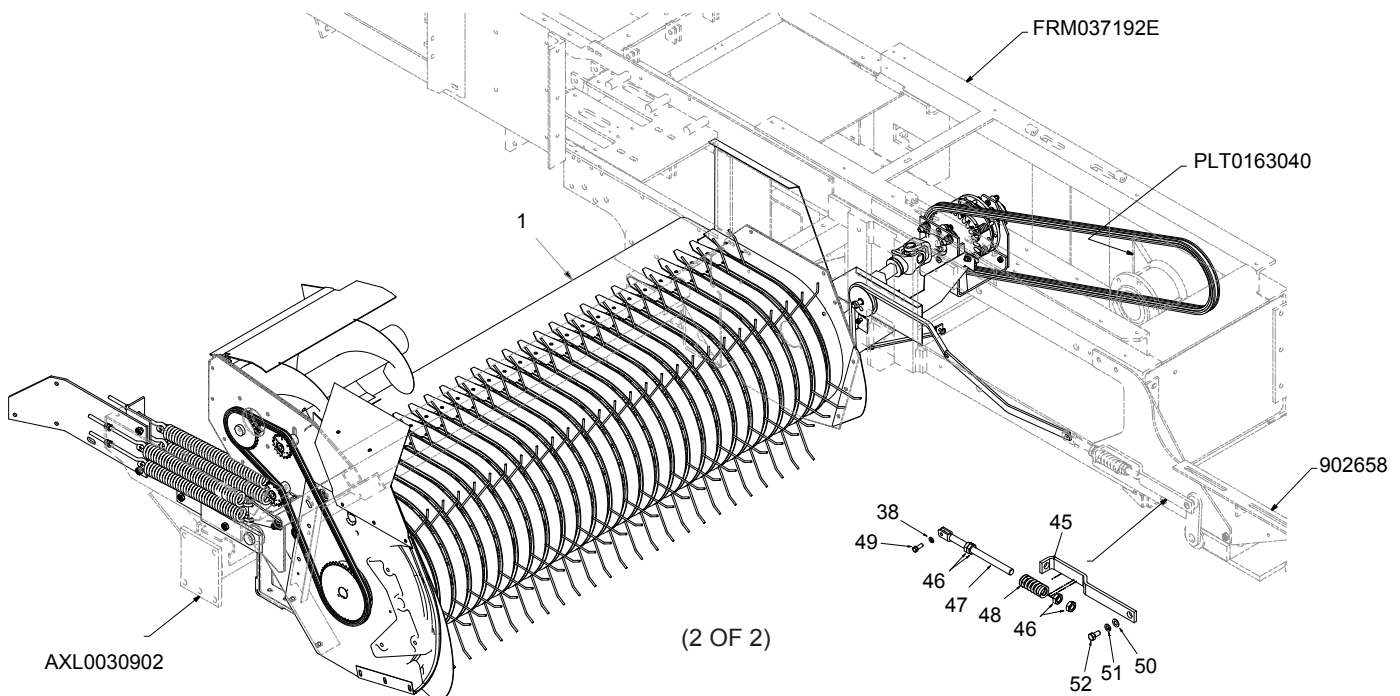
## PICKUP LIFT AND MOUNTING ASSEMBLIES

REF NO.	PART NO.	DESCRIPTION	QTY. USED	REF NO.	PART NO.	DESCRIPTION	QTY. USED
1 *	PCYSPEC370	PICKUP ASSEMBLY, SUPER SWEEP	1	26	F000006410	SPACER	2
2	BKT0022481	BRACKET, RH	1	27	224120W	CAPSCREW	1
3	F000007154	EXT SPRING F/PU BALANCE	4	28	R13801782	CAPSCREW	1
4	LNK0016320	LINK	1	29	R13811014	CAPSCREW	2
5	MNT0011400	PLATE, MOUNTING	1	30	R13801824	CAPSCREW	1
6	F000000096	EYEBOLT	4	31	134328W	CAPSCREW	1
7	MNT0022379	MOUNTING, RH	1	32	200454W	CAPSCREW	2
8	HGR0022222	PICKUP HANGER, LH	1	33	R13811077	CAPSCREW	1
9	SHD0014244	PLATE,SHIELD	1	34	221569W	CAPSCREW	2
10	IDL0016315	PICKUP CHAIN IDLER F/370	1	35	R13811443	WASHER	2
11	LNK0000523	CONNECTING LINK - BL523	2	36	223428	WASHER	2
12	CHN0016368	CHAIN	1	37	223427	WASHER	7
13	Y25G-0832	CAPSCREW	1	38	234135	WASHER	2
14	F000000440	FERRULE	1	39	R13809551	NUT	9
15	F000007156	PLATE, SPRING	1	40	235620	NUT	2
16	PLT0022382	PICKUP LIFT SPRING PLATE -270/370	1	41	R13803713	NUT	2
17	F000007607	BEARING, INNER RACE	1	42	223588	NUT	2
18A	F000008338	DRIVE SHAFT ASSY	1	43	223587	NUT	9
18	F000008336	. SHAFT, DRIVE	1	44	NEJ0000500	NUT	1
19	F000008337	. SHAFT, DRIVE	1	45	BKT0016324	BRACKET	1
20**	SAL0000007	DRIVE CHAIN ASSEMBLY, P/U	1		LNK0009636	BRACKET ELECT PICKUP LIFT F/HYD	1
21	48688	KEY	1		BKT0008288	BRACKET ELECTRIC PICKUP LIFT	1
22	ZZ00000445	KEY	1	46	238381	NUT, JAM	4
23	CHN0060139	PICKUP DRIVE CHAIN F/270/370	1	47	ROD0016321	ROD, ADJUSTING	1
24	F000008162	PLATE,SHIELD	1	48	F000007566	CUSHION SPRING F/LIFT CABLE	1
25	F000008163	PLATE,SHIELD	1	49	237566	CAPSCREW	1
				50	222615	WASHER	1
				51	234665	WASHER	1
				52	16820W	CAPSCREW	1

\* SEE PAGE 145

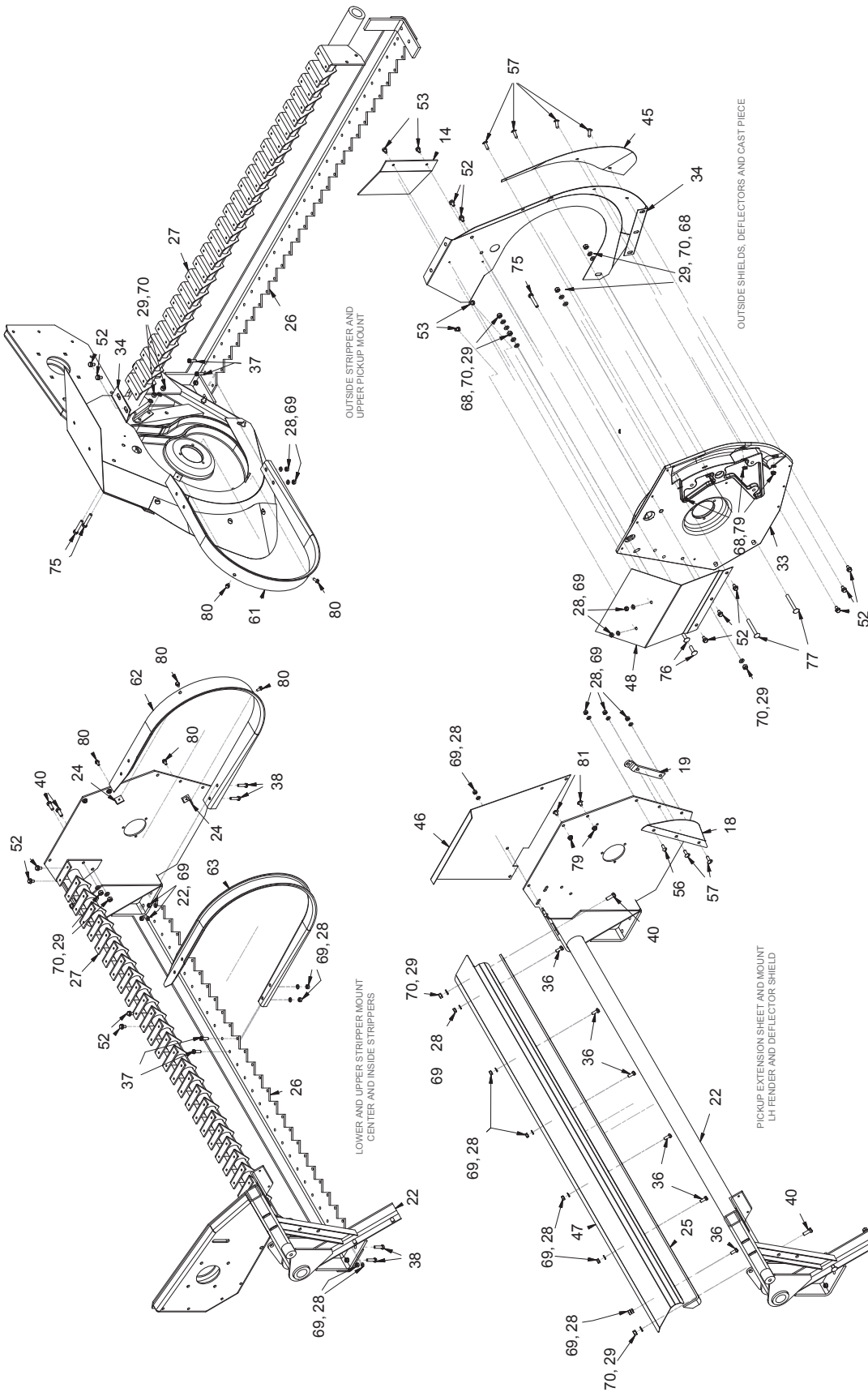
\*\* SEE PAGE 151

A - F000008339 U-JOINT REPAIR KIT-P/U DRIVE SHAFT



# PICKUP ASSEMBLY

(1 OF 2)

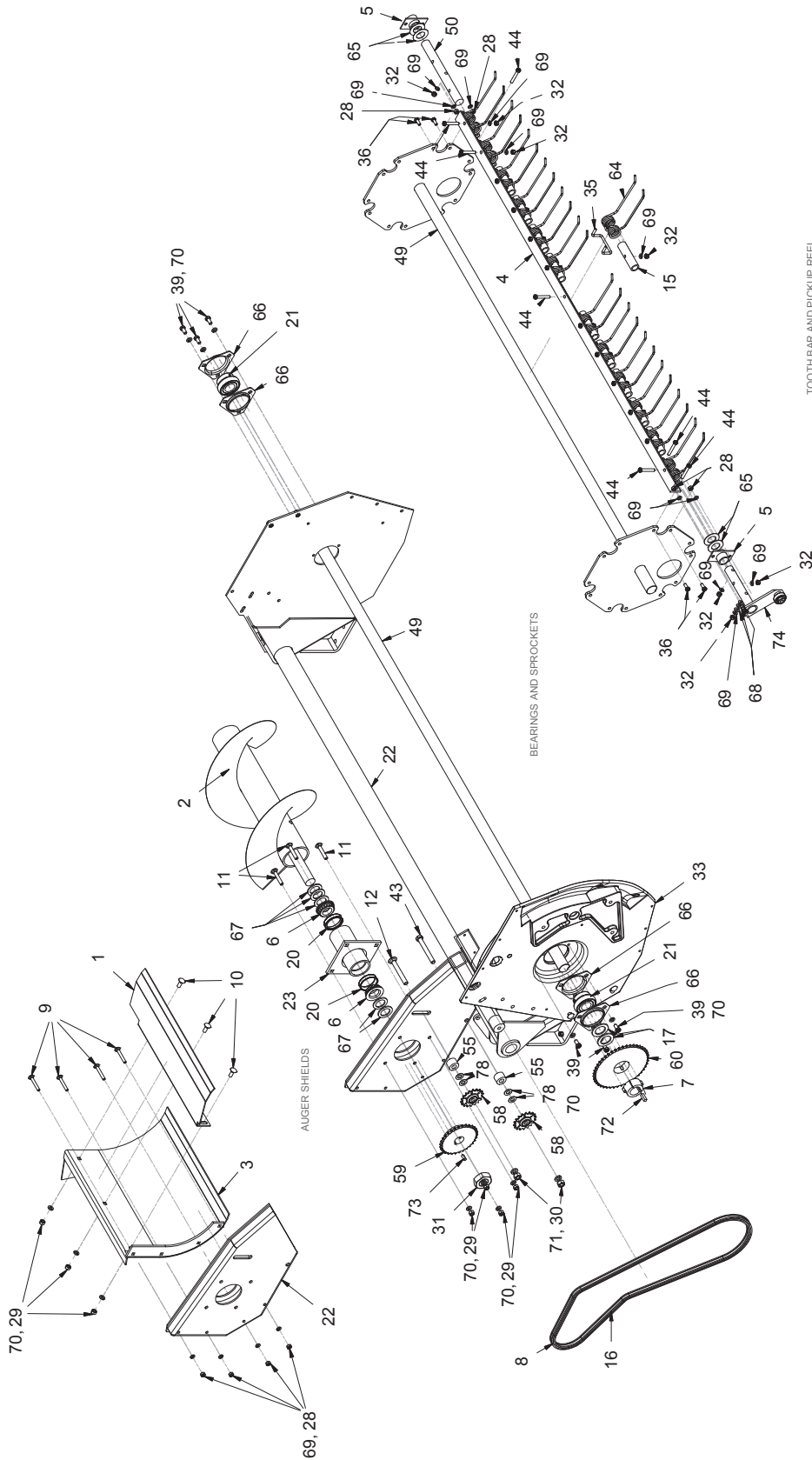


## PICKUP ASSEMBLY

REF NO.	PART NO.	DESCRIPTION	QTY. USED	REF NO.	PART NO.	DESCRIPTION	QTY. USED
	<b>PCYSPEC370</b>	<b>PICKUP ASSY,SUPER SWEEP</b>		<b>39</b>	162572W	. CAPSCREW	6
1	AUG0020830	. PLATE, SCRAPER	1	40	Y17C-0616	. CAPSCREW	4
2	AUG0020974	. AUGER	1	43	R13811085	. CAPSCREW	1
3	AUG0022358	. TROUGH, AUGER	1	44	221475W	. CAPSCREW	96
4	BAR0033189	. ANGLE	6	45	SHD0006253	. RH FENDER FLARE-60"+70" P/U	1
5	BRG0006219	. BEARING ASSEMBLY	12	46	SHD0011309	. PLATE, LH	1
6	BRG0067000	. BEARING	2	47	SHD0020829	. PLATE, EXT	1
7	BSH0001610	. BUSHING, PICKUP AUGER	1	48	SHD0020832	. PLATE, RH	1
8	CHN0040125	. CHAIN - PICKUP CHAIN-370	1	49	SHF0018480	. SHAFT, PICKUP REEL	1
9	CRB3130225	. BOLT	4	50	SHF0033356	. SHAFT, PIVOT	6
10	CRB3750100	. BOLT	3	52	SMS0000198	. WHIZ BOLT	62
11	CRB3750225	. BOLT	4	53	SMTS002000	. SCREW	4
12	CRB5000400	. BOLT	1	55	SPC0017669	. SPACER	2
14	DEF0022860	. PLATE, DEFLECTOR	1	56	246125	. CAPSCREW	2
15	F00000101	. GUIDE, PICKUP FINGER	60	57	SMTS020002	. SCREW	6
16	F000004073	. OFFSET LINK	4	58	SPK0002318	. IDLER SPROCKET F/ 370 PICKUP	2
17	R616841	. BUSHING	2	59	SPK0040030	. SPROCKET, PICKUP AUGER 370	1
18	F000007151	. PLATE, LH	1	60	SPK0040045	. SPK-PICKUP AUGER -"REV TAPER"	1
19	F000007194	. BRACKET	1	61	STR0033500	. PLATE, STRIP	1
20	F000008011	. BEARING CUP	2	62	STR0033501	. PLATE, STRIPPER	1
21	F000008380	. BEARING	2	63	STR0033502	. PLATE, STRIPPER	25
22	901578	. PICKUP FRAME	1	64	TTH0033171	. PICKUP TOOTH	78
23	HSN0027996	. BRG HOUSING, AUGER	1	65	WAS0011459	. TOOTH BAR BRG WASHER	24
24	MNT0011313	. ANGLE, MOUNTING	2	66	F000008383	. FLANGETTE	4
25	MNT0023007	. BAR, MOUNTING	1	67	WAS0015783	. BUSHING	5
26	MNT0033556	. MOUNT, STRIPPER PICKUP, LOWER	1	68	223428	. WASHER	11
27	MNT0033557	. MOUNT, STRIPPER PICKUP, TOP	1	69	R13812513	. WASHER	192
28	R13811512	. NUT	95	70	234135	. WASHER	24
29	R13809551	. NUT	19	71	234665	. WASHER	2
30	221711W	. NUT	2	72	ZZ00000428	. KEY	1
31	219924	. NUT	1	73	ZZ00000418	. KEY	1
32	NFX0000313	. NUT	96	74	CAM0033355	. LEVER ASSEMBLY, CAM	6
33	900928	. PICKUP CAM	1	75	R13811039	. CAPSCREW	3
34	PCY0020861	. RH FENDER ASSEMBLY -P/U 370	1	76	CRB3750013	. BOLT	2
35	PCY0033352	. SPACER	78	77	CRB3750300	. BOLT	2
36	R13801791	. CAPSCREW	30	78	222615	. WASHER	4
37	R13811014	. CAPSCREW	52	79	00273802	. NUT	6
38	R13811015	. CAPSCREW	4	80	SMS0000173	. BOLT, WHIZ	6
				81	SMT0002000	. SCREW	2

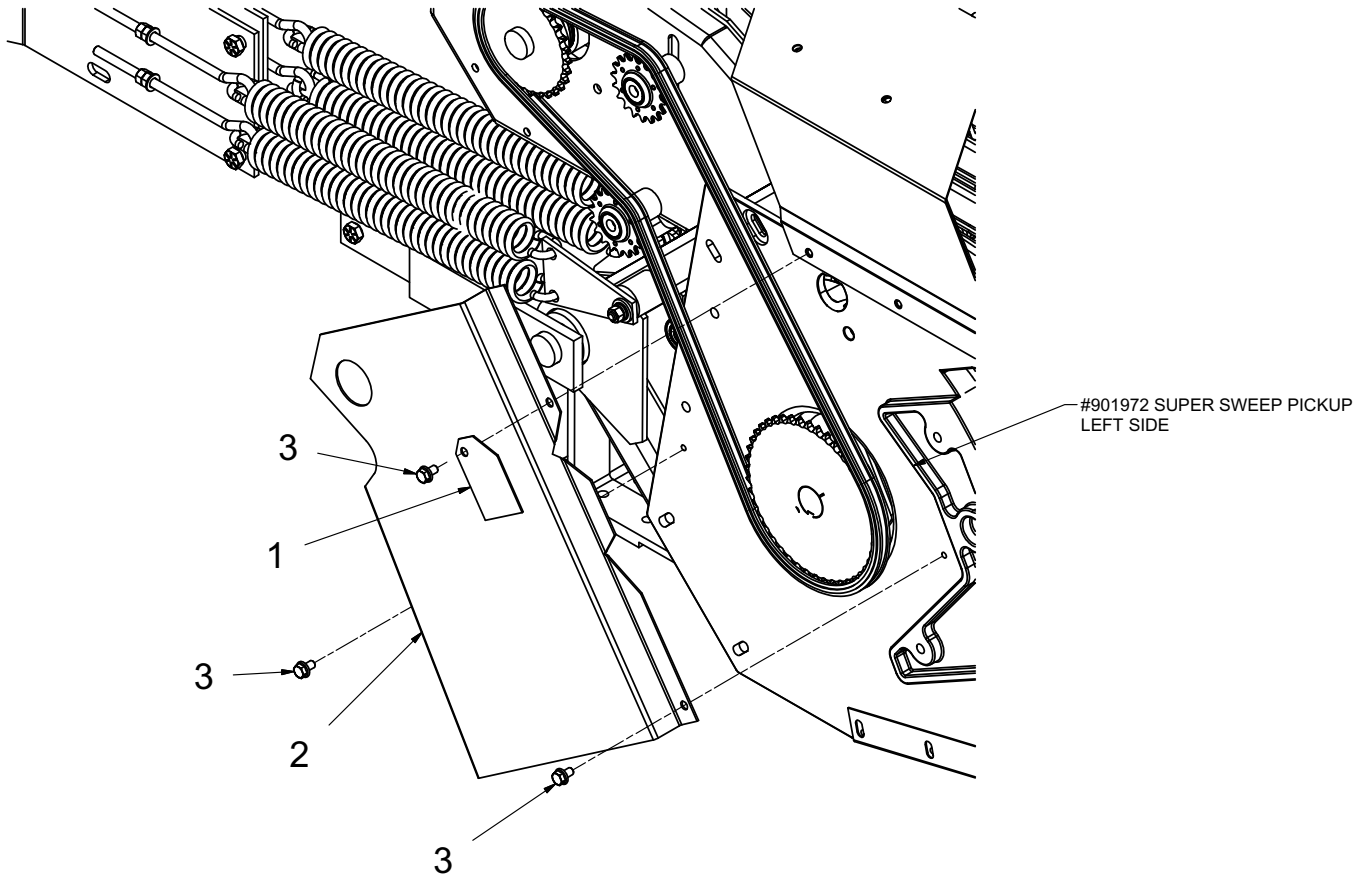
# PICKUP ASSEMBLY

(2 OF 2)



INTENTIONALLY LEFT BLANK

**PICKUP AUGER CHAIN SHIELDING**



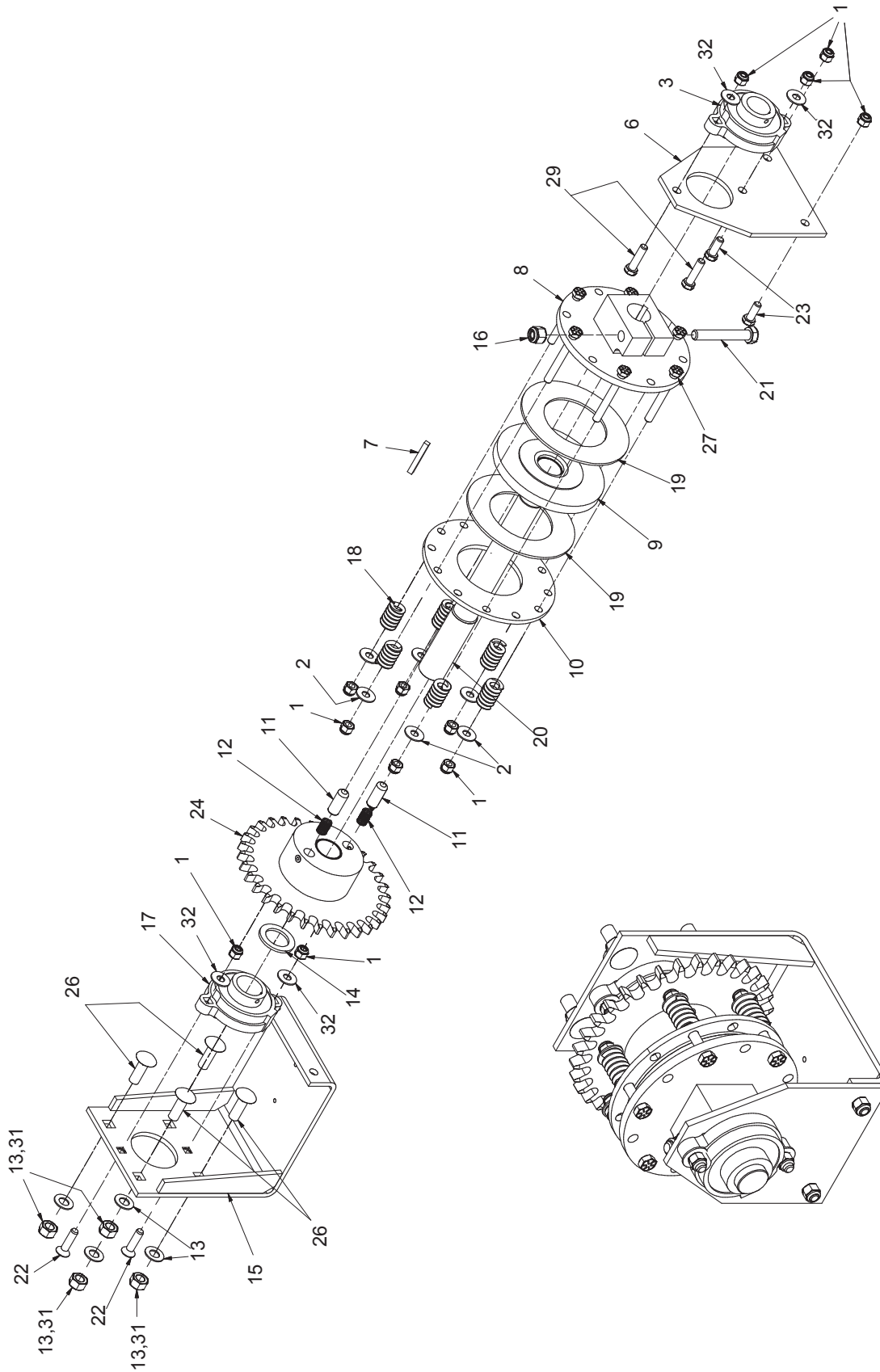


---

**PICKUP AUGER CHAIN SHIELDING**

<b>REF NO.</b>	<b>PART NO.</b>	<b>DESCRIPTION</b>	<b>QTY. USED</b>
1	CVR0022648	COVER, CAM ROLLER ACCESS	1
2	SHD0023680	SHIELD, CHAIN DRIVE	1
3	SMS0000198	BOLT, WHIZ	3

**PICKUP CHAIN DRIVE**

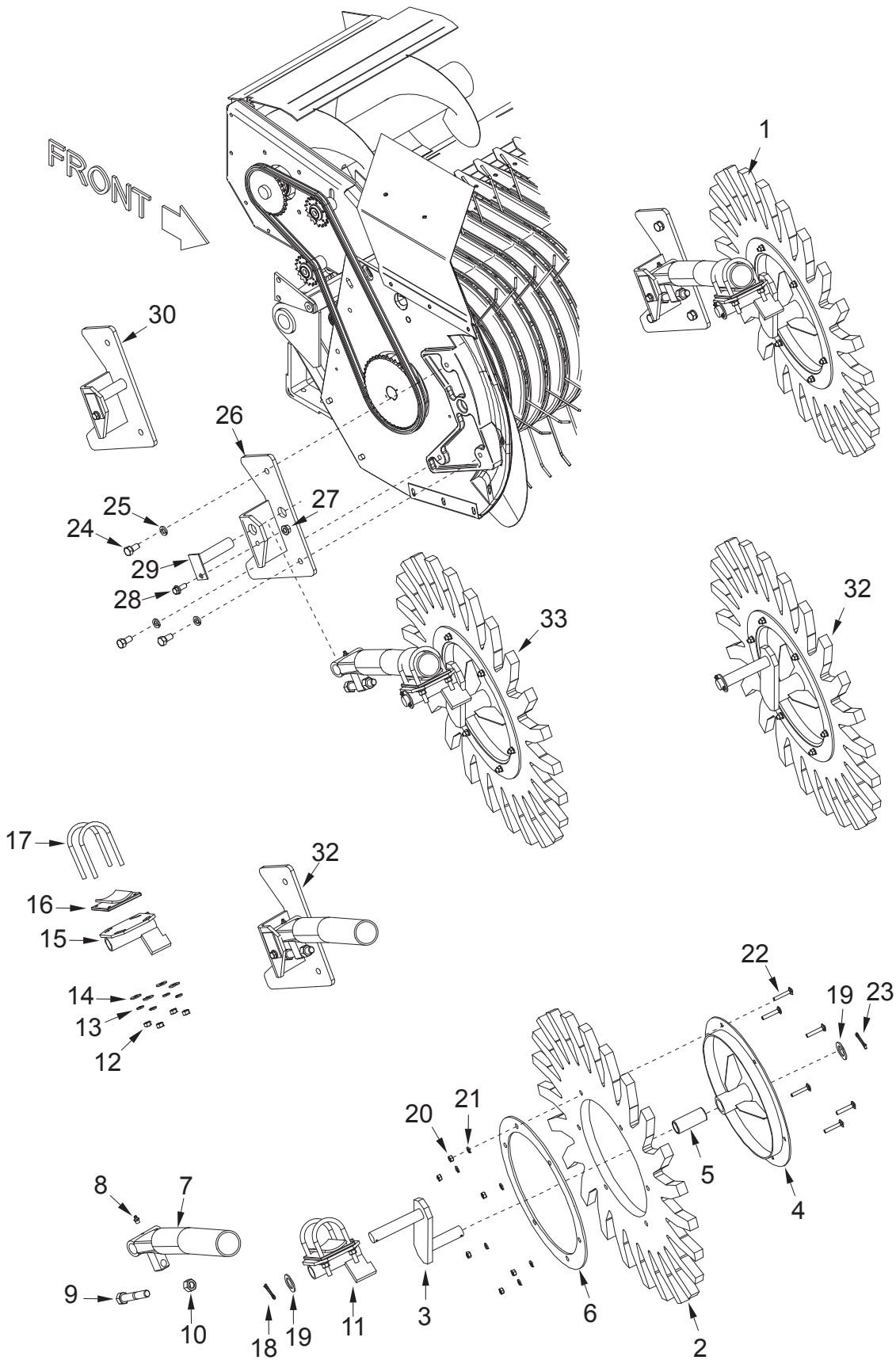


## PICKUP CHAIN DRIVE

REF NO.	PART NO.	DESCRIPTION	QTY. USED	REF NO.	PART NO.	DESCRIPTION	QTY. USED
	<b>SAL0000007</b>	<b>DRIVE CHAIN ASSEMBLY, P/U</b>		<b>15</b>	F000008090	. BRACKET	1
<b>1</b>	R13811191	. NUT	12	<b>16</b>	223587	. NUT	1
<b>2</b>	223427	. WASHER	10	<b>17</b>	F000007063	. BEARING, SHAFT	1
<b>3</b>	BRG0000202	. BEARING, FLANGE	1	<b>18</b>	F000001797	. COMP SPRING, CLUTCH PLATE	6
<b>6</b>	F000008091	. BEARING MNT, PICKUP DRIVE	1	<b>19</b>	F000001793	. FRICTION DISC, F/PTO CLUTCH	2
<b>7</b>	48688	. KEY	1	<b>20</b>	SHF0021219	. DRIVESHAFT	1
<b>8</b>	CLH0017773	. ADAPTER	1	<b>21</b>	R13811082	. CAPSCREW	1
<b>9</b>	CLH0021222	. PLATE ASSEMBLY, P/U CLUTCH	1	<b>22</b>	PWB3751500	. BOLT	2
<b>10</b>	CLH0017849	. PLATE, DISC	1	<b>23</b>	16805W	. CAPSCREW	2
<b>11</b>	F000001791	. PIN, CLUTCH	2	<b>24</b>	SPK0021220	. SPROCKET ASSEMBLY	1
<b>12</b>	F000001790	. SPRING, COMPRESSION	2	<b>26</b>	CRB5000125	. BOLT	4
<b>13</b>	239519	. WASHER	4	<b>27</b>	221518W	. CAPSCREW	6
<b>14</b>	ZZ00000228	. BUSHING	1	<b>29</b>	Y17C-0624	. CAPSCREW	2
				<b>31</b>	221712W	. NUT	4

Rev: 03/10 JM

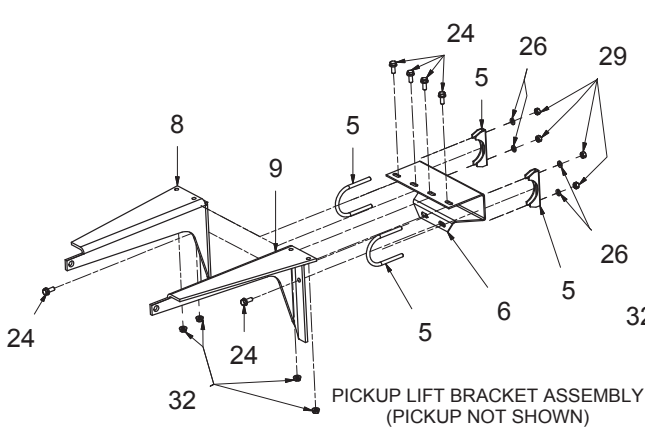
### HAY SAVER WHEEL ASSEMBLY AND MOUNTS



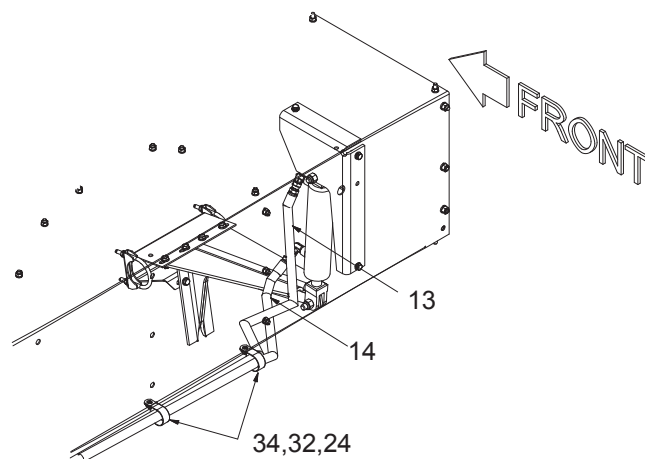
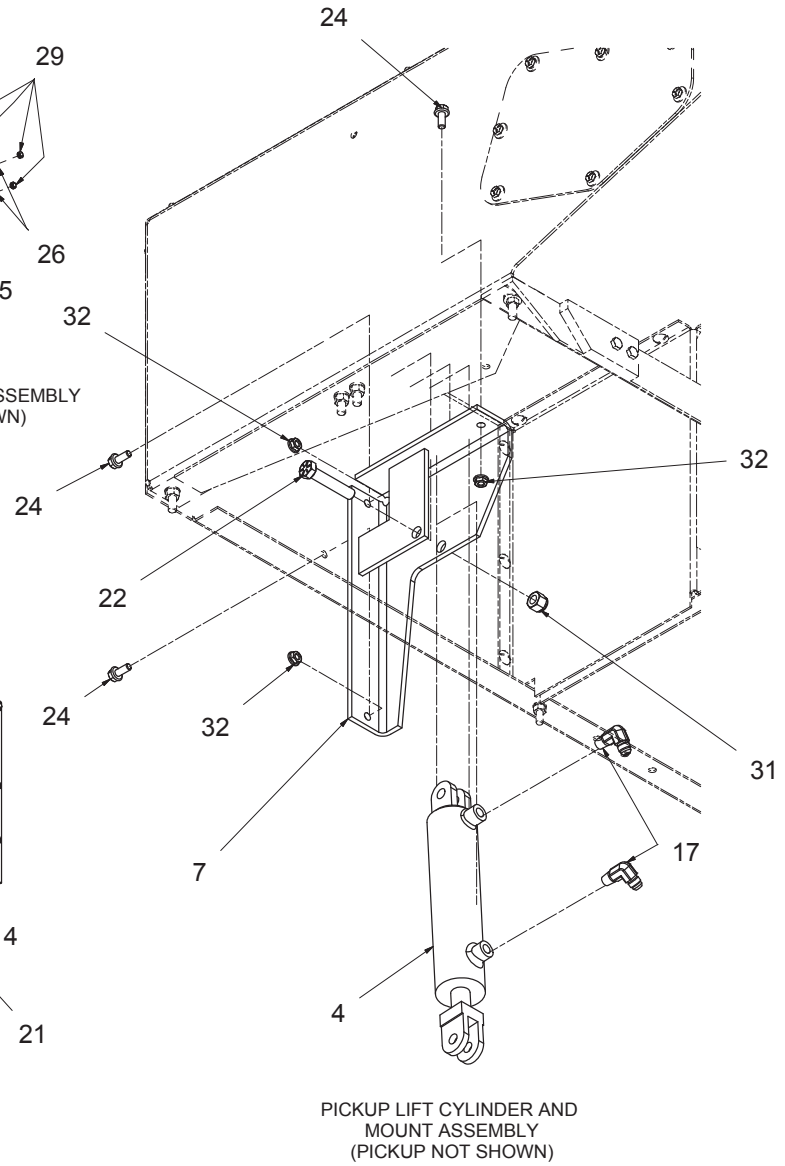
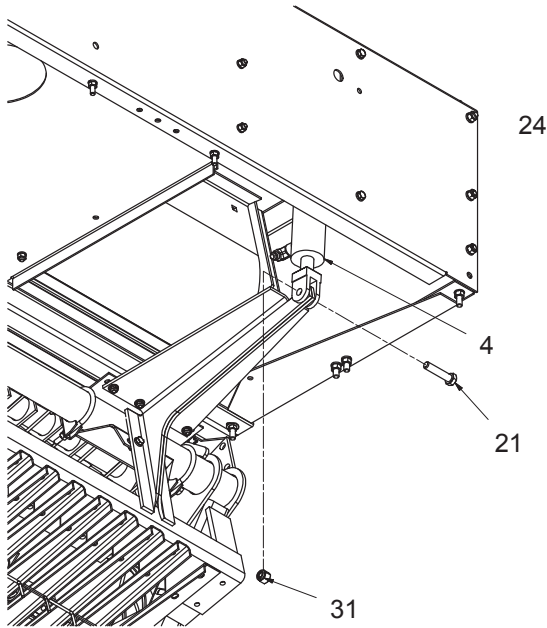
## HAY SAVER WHEEL ASSEMBLY AND MOUNTS

REF NO.	PART NO.	DESCRIPTION	QTY. USED	REF NO.	PART NO.	DESCRIPTION	QTY. USED
1	902854	HAY SAVER WHEEL ASSY	1		174413W	. SCREW	1
2	F00001907	. RUBBER RING F/HAY SAVER	1		09411507	. NUT	1
3	F00001905A	. WHEEL AXLE ARM - BUSHING TYPE	1		F00001895	. HAY SAVER ARM W/STOP	1
4	F00001911	. WHEEL DISC ONLY F/HAY SAVER	1		00191758	. HEX ZERK	1
5	BSH0162048	. HAY SAVER WHEEL BUSHING	1		F00001896	. HAY SAVER STOP BOLT	1
6	F00001906	. BACKUP RING F/HAY SAVER DISC	1		235591	. NUT	1
7	F00001895	. HAY SAVER ARM W/STOP	1				
8	00191758	. . HEX ZERK	1	32	F00001904	HAY SAVER DISC ASSY-COMplete	1
9	F00001896	. . HAY SAVER STOP BOLT	1		F00001907	. RUBBER RING F/HAY SAVER	1
10	235591	. . NUT	1		F00001905A	. WHEEL AXLE ARM - BUSHING TYPE	1
11	F00001900	. HAY SAVER ROTARY CLAMP-COMPL	1		F00001906	. BACKUP RING F/HAY SAVER DISC	1
12	R13809551	. . NUT	5		F00001911	. WHEEL DISC ONLY F/HAY SAVER	1
13	234135	. . WASHER	5		BSH0162048	. . HAY SAVER WHEEL BUSHING	1
14	223427	. . WASHER	4		R1382637	. WASHER	2
15	F00001903	. . ROTARY CLAMP PLATE	1		COT0000503	. COTTER PIN	1
16	F00001902	. . SADDLE F/ ROTARY CLMP	1		COT0000505	. COTTER PIN	1
17	F00001901	. . U-BOLT F/HAY SAVER WHEEL	2		R13811512	. NUT	6
18	COT0000503	. COTTER PIN	1		R13812513	. WASHER	6
19	R1382637	. WASHER	2		CRB3130150	. BOLT	6
20	R13811512	. NUT	6				
21	R13812513	. WASHER	6	33	F00001893A	HAY SAVER WHEEL ASSY W/O #30	1
22	CRB3130150	. BOLT	6		F00001907	. RUBBER RING F/HAY SAVER	1
23	COT0000505	. COTTER PIN	1		F00001905A	. WHEEL AXLE ARM - BUSHING TYPE	1
24	234885	. CAPSCREW	3		F00001906	. BACKUP RING F/HAY SAVER DISC	1
25	234665	. WASHER	3		F00001911	. WHEEL DISC ONLY F/HAY SAVER	1
26	MNT0020484	. HAY SAVER MOUNT	6		BSH0162048	. . HAY SAVER WHEEL BUSHING	1
27	09411507	. NUT	1		R1382637	. WASHER	2
28	174413W	. SCREW	1		COT0000503	. COTTER PIN	1
29	F00001897	. PIVOT PIN F/HAY SAVER BRACKET	1		COT0000505	. COTTER PIN	1
30	MNT0204840	HAY SAVER MNT W/PIN 70"	1		R13811512	. NUT	6
	F00001897	. PIVOT PIN F/HAY SAVER BRACKET	1		R13812513	. WASHER	6
	174413W	. SCREW	1		CRB3130150	. BOLT	6
	09411507	. NUT	1		F00001900	. HAY SAVER ROTARY CLAMP-COMPL	1
31	MNT2048400	MOUNT & ARM ASSY	1		F00001895	. HAY SAVER ARM W/STOP	1
	F00001897	. PIVOT PIN F/HAY SAVER BRACKET	1		F00001896	. HAY SAVER STOP BOLT	1
					F00001896	. HAY SAVER STOP BOLT	1
					235591	. NUT	1

### HYDRAULIC PICKUP LIFT OPTION



NOTE:  
SEE PICKUP CYLINDER AND  
PICKUP LIFT BRACKET ASSEMBLY BELOW  
FOR INSTALLATION OF PICKUP LIFT BRACKET  
ONTO PICKUP SHAFT.

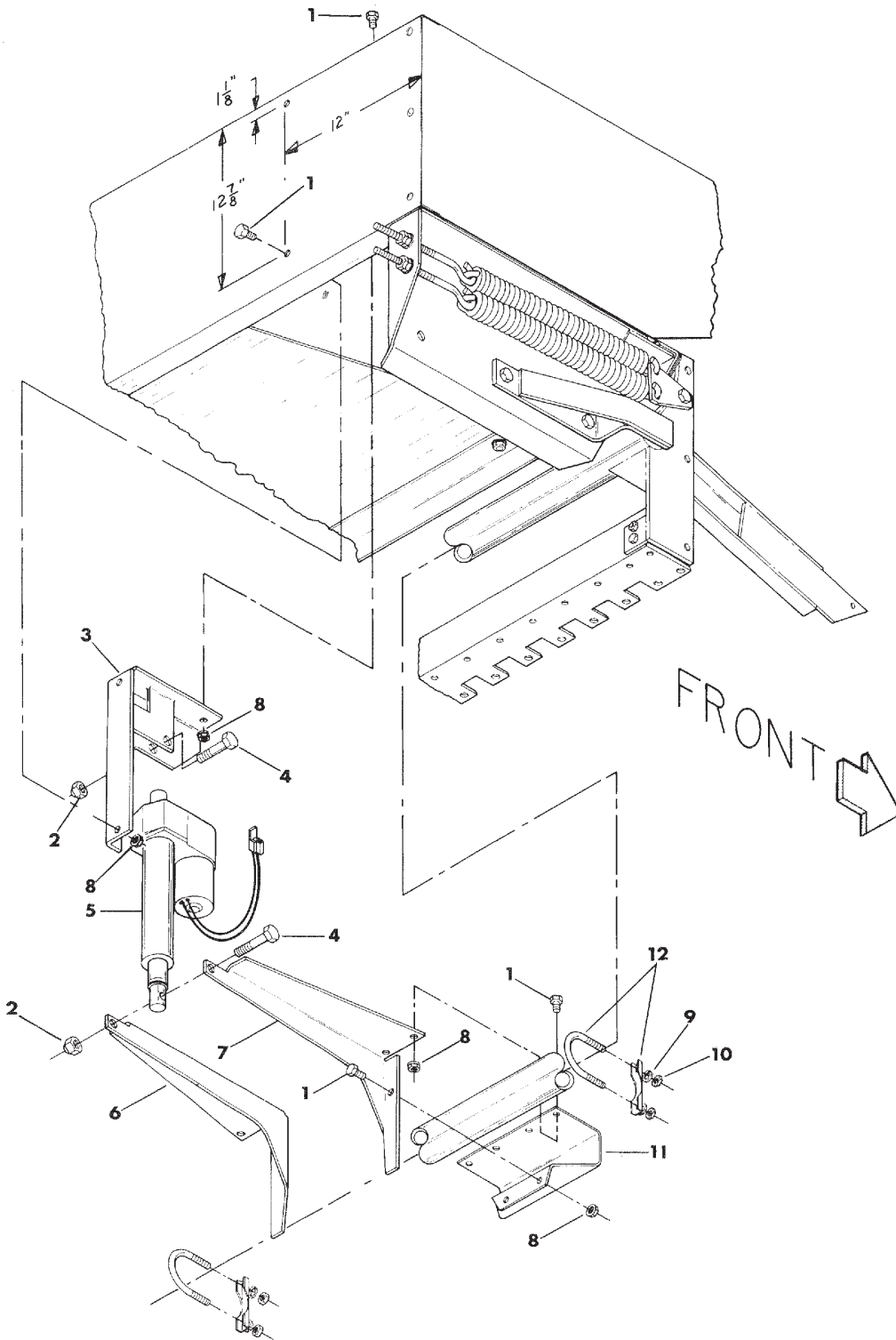


---

**HYDRAULIC PICKUP LIFT OPTION**

<b>REF NO.</b>	<b>PART NO.</b>	<b>DESCRIPTION</b>	<b>QTY. USED</b>
4	F000006724	HYDRAULIC CYLINDER	1
5	F000006804	CLAMP	2
6	PLF0008206	BRACKET	1
7	PLF0018168	BRACKET, ANCHOR	1
8	PLF0820700	PLATE, LIFT ARM	1
9	PLF0820701	PLATE, LIFT ARM	1
13	255019	HOSE ASSY	1
14	255020	HOSE ASSY	1
17	209409	FITTING	2
21	221574W	CAPSCREW	1
22	R13809381	CAPSCREW	1
24	SMS0000184	BOLT, WHIZ	9
26	R13812513	WASHER	4
29	221705W	NUT	4
31	223587	NUT	2
32	00274218	NUT	13
34	209700	CLAMP	4

**ELECTRIC PICKUP LIFT ASSEMBLY**





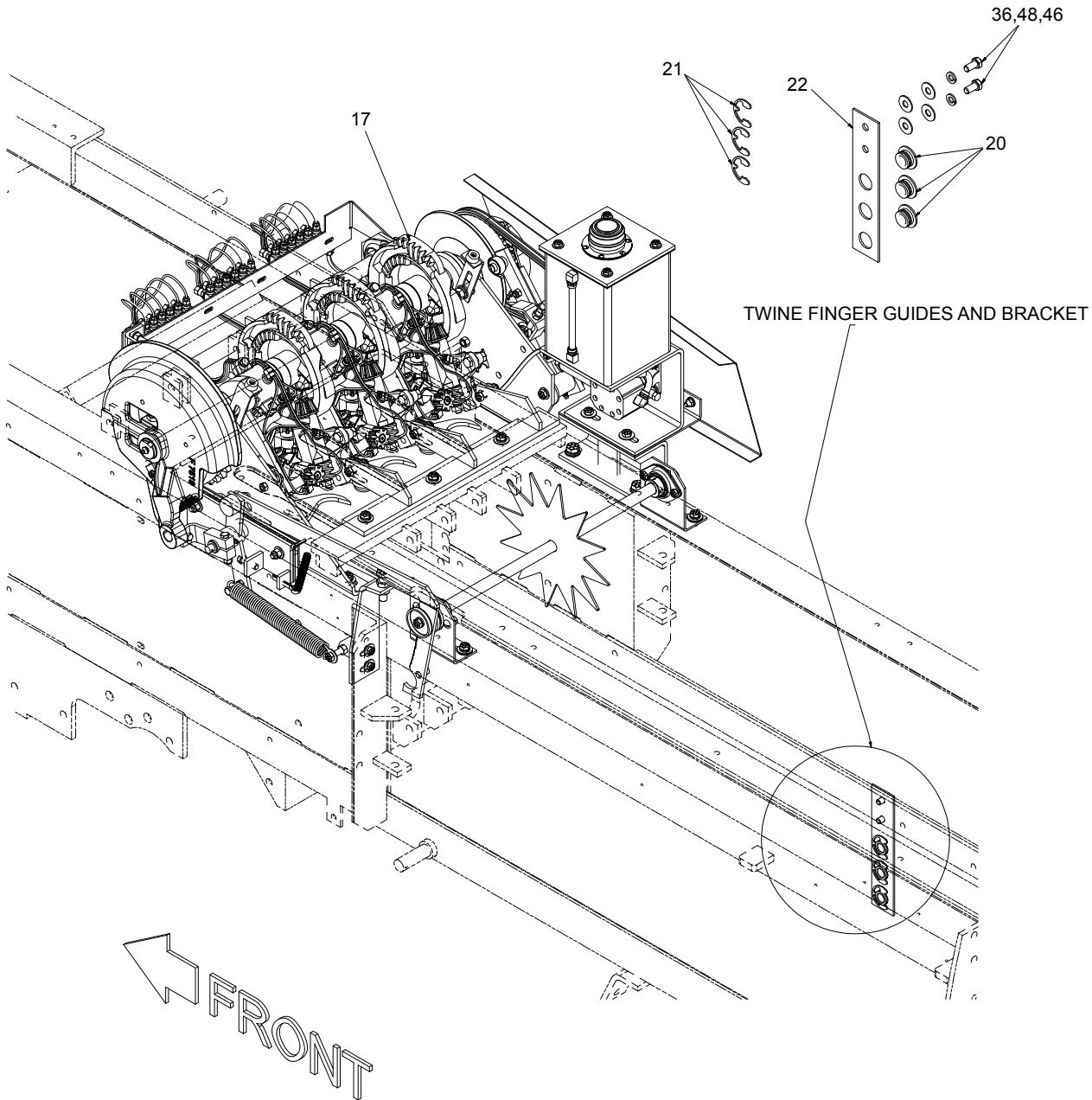
## ELECTRIC PICKUP LIFT ASSEMBLY

REF NO.	PART NO.	DESCRIPTION	QTY. USED
1	SMS0000184	WHIZ BOLT	9
2	NCE0000500	NUT	2
3	PLF0018168	BRACKET, ANCHOR 16" CHAMBER	1
3	PLF0021082	BRACKET, ANCHOR 14" CHAMBER	1
3	PLF0021088	BRACKET, ANCHOR 15" CHAMBER	1
4	SCC0000508	CAPSCREW	2
5	ACT7102001	ACTUATOR - ELECTRIC LIFT F/370	1
6 *	PLF0820700	LIFT ARM - ELECTRIC P/U LH	1
7 *	PLF0820701	LIFT ARM - ELECTRIC P/U RH	1
8	NMS0000117	WHIZ NUT	9
9	WLK0000313	LOCKWASHER	4
10	NCH0000313	NUT	4
11	PLF0008206	BRACKET, LIFT ARM PICKUP LIFT	1
12	F000006804	EXHAUST CLAMP 2-1/4" STD DUTY	2

\* LH - LEFT HAND  
RH - RIGHT HAND

# KNOTTER INSTALLATION (370)

(1 OF 3)



## KNOTTER INSTALLATION (370)

REF NO.	PART NO.	DESCRIPTION	QTY. USED	REF NO.	PART NO.	DESCRIPTION	QTY. USED
1	ROD0020044	ROD	3	32	SHM037779B	SHIM	AR
2	F000008144	TWINE FINGER BUSHING NUT	3	33	R13810814	CAPSCREW	2
3	F000008146	TWINE FINGER WASHER	3	34	18498W	CAPSCREW	2
4	F000008330	BOLT	3	35	R13811031	CAPSCREW	1
5	F000000159	BLOCK, LINK	3	36	162572W	CAPSCREW	6
6	F000008147	BUSHING, DRIVE ROD	3	37	221499W	CAPSCREW	5
7	F000008335	PLATE, TWINE FINGER	3	38	Y17C-0624	CAPSCREW	3
10	F000001632	BAR, STOP	1	39	R13801840	CAPSCREW	2
11	F000008205	BRACKET	1	40	R13801813	CAPSCREW	3
12	F000008206	BRACKET, MOUNTING	1	41	R13811077	CAPSCREW	1
13*	F000008210	TANK/PUMP ASSEMBLY	1	42	SMS0000184	BOLT, WHIZ	2
14	FT00000165	PUMP DRIVE CHAIN AUTO LUBER	1	43	Y09G-0828	CAPSCREW	3
15	F000008201	LUBER/KNOTTER SPROCKET	1	44	Y09G-0832	CAPSCREW	3
16	MNT037222A	PLATE, MOUNTING	1	45	223428	WASHER	2
17**	SAL3700003	KNOTTER ASSEMBLY	1	46	223427	WASHER	22
18	ANC0023975	ANCHOR	1	47	223634	WASHER	8
20	F000000856	TWINE & WIRE GUIDE BUSHING	3	48	234135	WASHER	10
21	F000000857	SNAP RING F/TWN GUIDE BUSHING	3	49	R13812516	WASHER	8
22	F000000525	PLATE, HOLDER	1	50	WIS0003125	WASHER	3
23***	SAL0000004	METER WHEEL ASSEMBLY	1	51	Y27E-06	WASHER	2
24****	SAL0000005	TRIP MOUNT ASSEMBLY	1	52	221707W	NUT	4
25	SHM0001250	SHIM	AR	53	221708W	NUT	6
26	SHM0000250	SHIM	AR	54	221712W	NUT	6
27	SHM0001875	SHIM	AR	55	232939	NUT	2
28	F000008203	AUTO LUBER CHAIN SHIELD	1	56	237567	NUT	5
28A	FD00023572	. DECAL, WARNING		57	234218	NUT	2
29+	AO00000255	LOOM, SPLIT	3 FT	58	00274218	NUT	2
30	F000001517	TRIP SPRING	1	59	09411507	NUT	2
31+	NYL0001250	TUBE	3 FT	60	00103385	PIN, COTTER	60

\* SEE PAGE 168

\*\* SEE PAGE 174

\*\*\* SEE PAGE 170

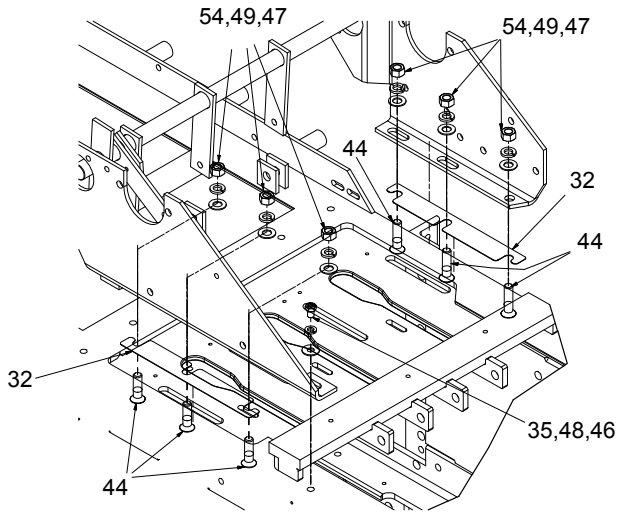
\*\*\*\* SEE PAGE 172

+ CUT TO FIT

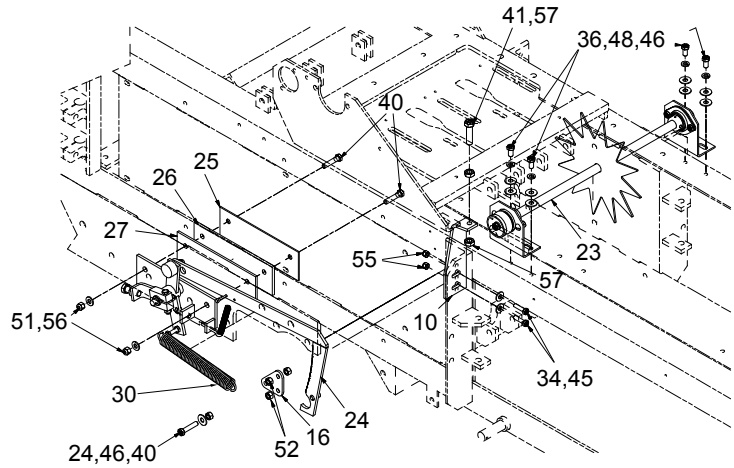
AR - AS REQUIRED

# KNOTTER INSTALLATION (370)

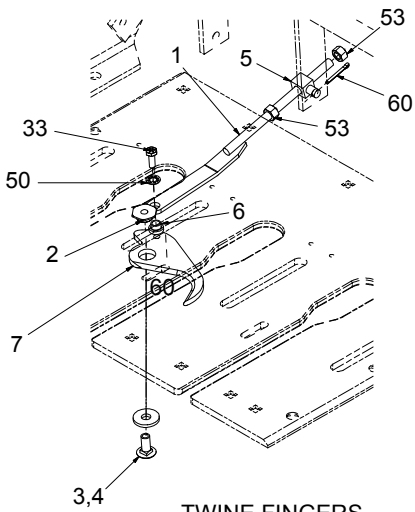
(2 OF 3)



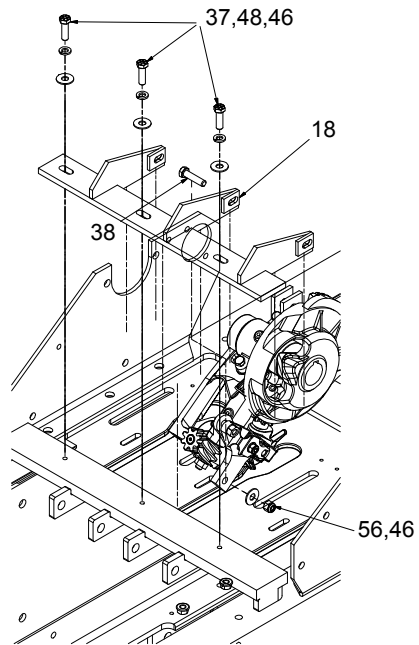
KNOTTER BRACKET MOUNT



KNOTTER TRIP AND WHEEL ASSEMBLY



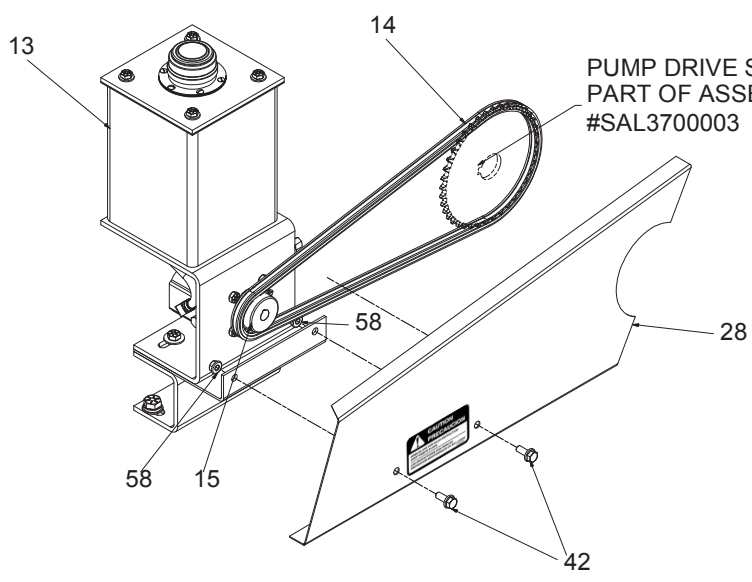
TWINE FINGERS  
TYPICAL  
3 PLACES



KNOTTER ANCHOR

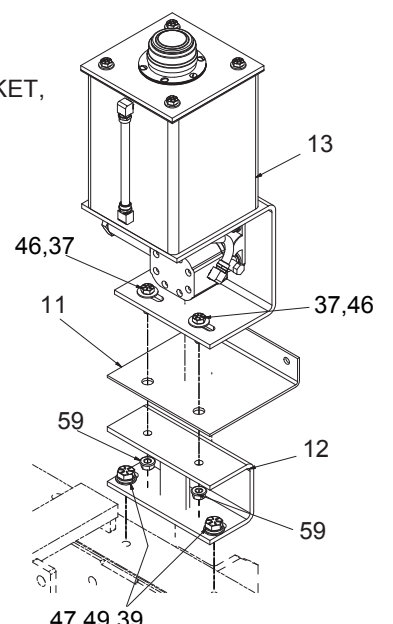
# KNOTTER INSTALLATION (370)

(3 OF 3)

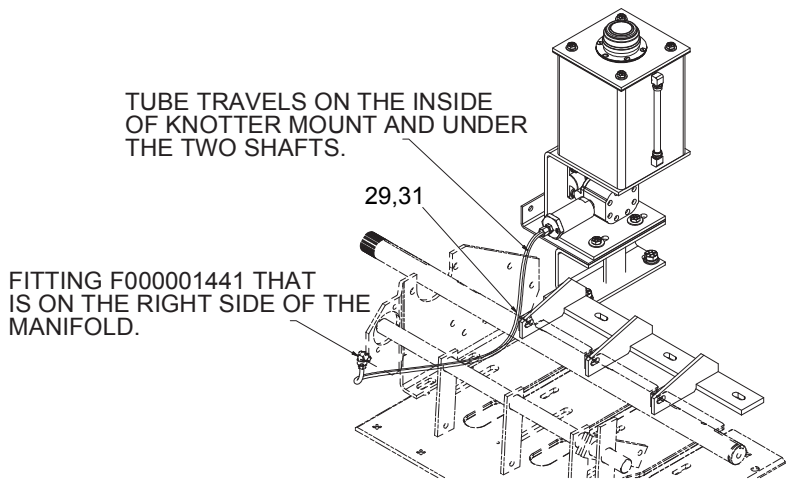


PUMP DRIVE SPROCKET,  
PART OF ASSEMBLY  
#SAL3700003

LUBER CHAIN, SHIELD, AND SPROCKET



LUBER MOUNTING BRACKETS

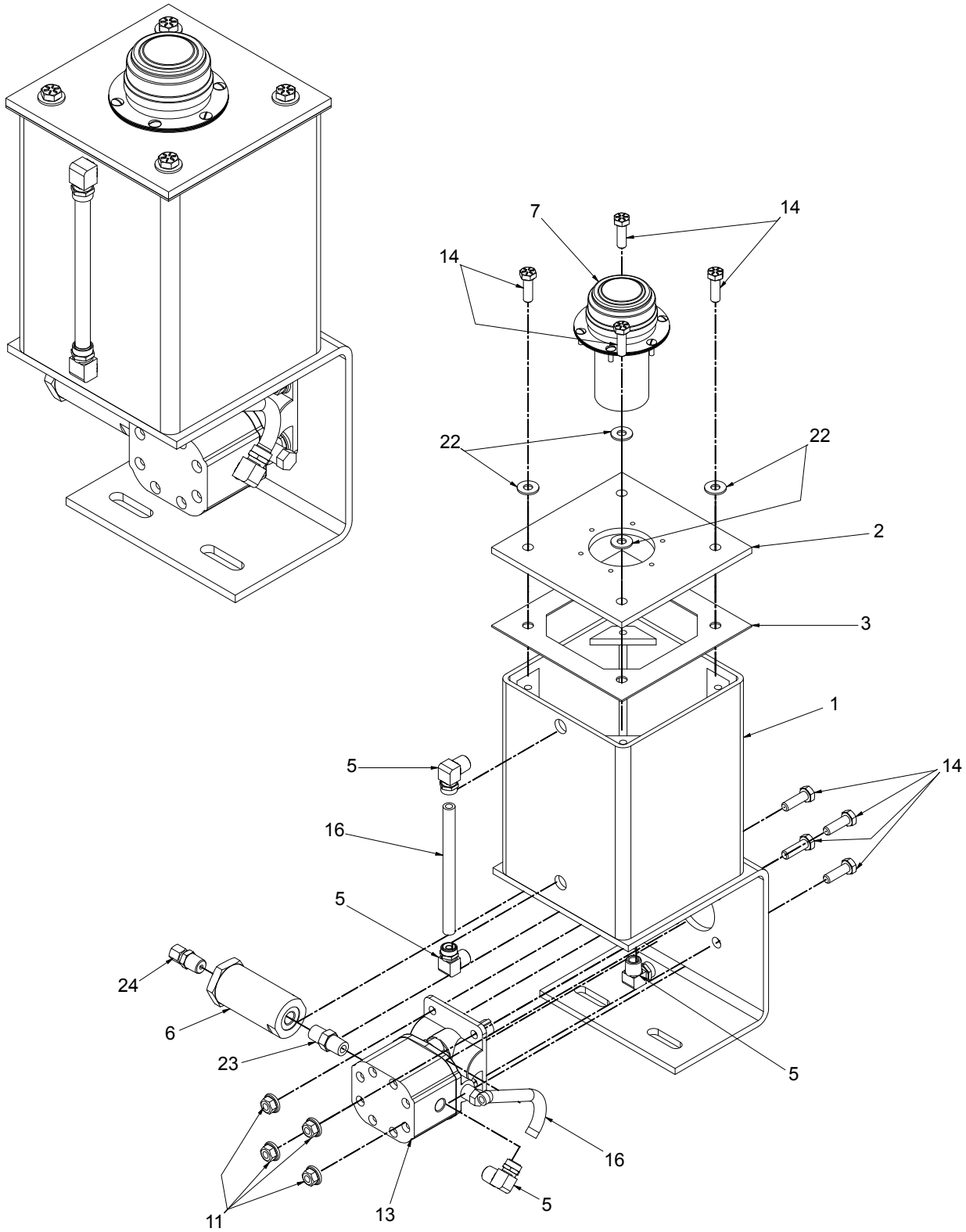


TUBE TRAVELS ON THE INSIDE  
OF KNOTTER MOUNT AND UNDER  
THE TWO SHAFTS.

FITTING F00001441 THAT  
IS ON THE RIGHT SIDE OF THE  
MANIFOLD.

LUBER TUBE AND LOOM

**KNOTTER LUBE TANK**

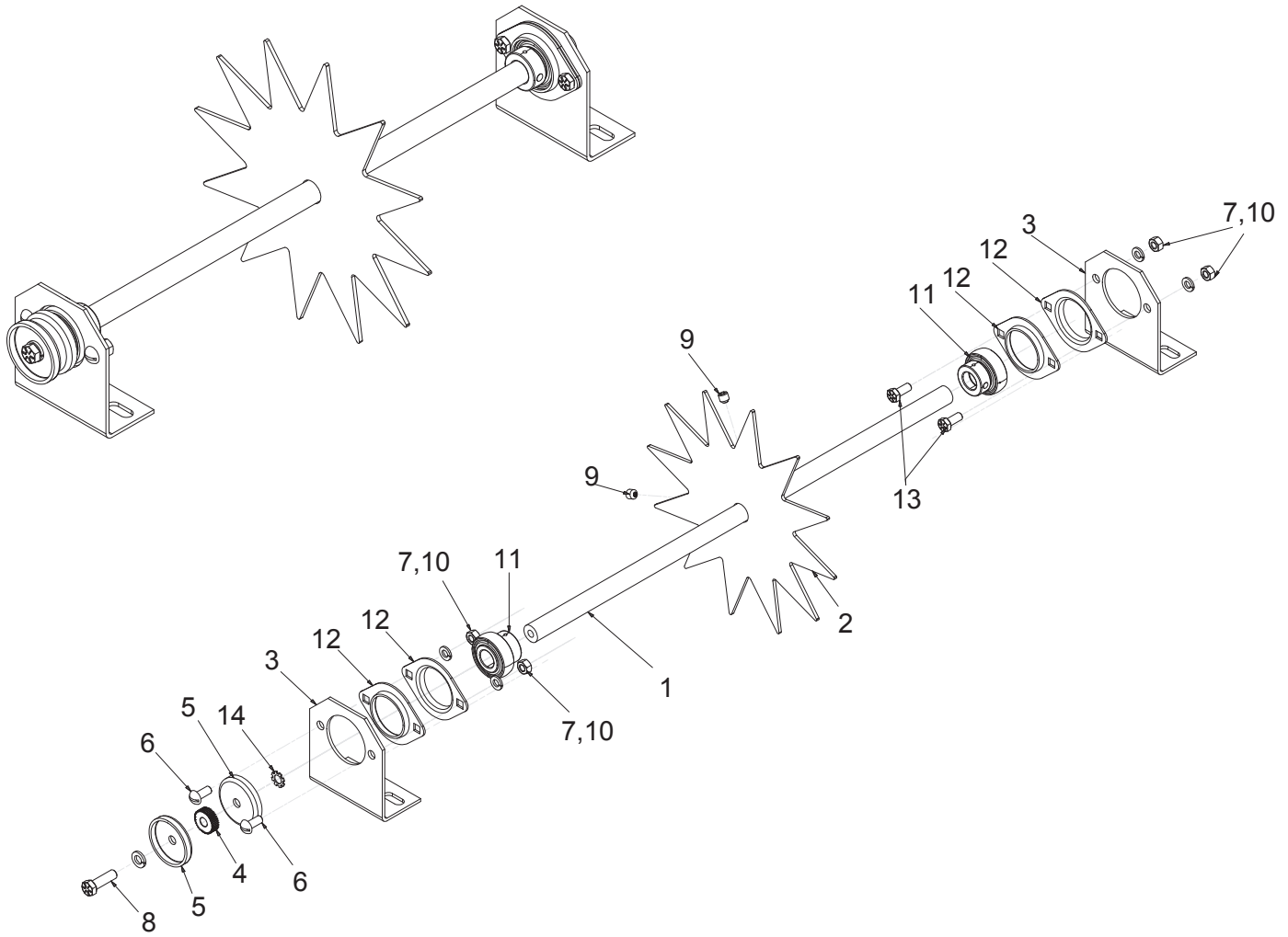


---

**KNOTTER LUBE TANK**

REF NO.	PART NO.	DESCRIPTION	QTY. USED
	<b>F00008210</b>	<b>TANK/PUMP ASSEMBLY</b>	
1	F00008196	. TANK, AUTO LUBER	1
2	F00008197	. TANK COVER	1
3	F00008198	. GASKET F/AUTO LUBER TANK	1
5	F00008209	. ELBOW, MALE	4
6	FIL0009052	. FILTER, IN-LINE	1
7	FIL0010003	. CAP, FILTER	1
11	00273802	. NUT	4
13	PMP0000003	. AUTO LUBER PUMP	1
14	R13811014	. CAPSCREW	8
16	TUB0000650	. TUBE	1
22	WAS0725002	. WASHER	4
23	221280	. FITTING	1
24	F00008221	. CONNECTOR	1

**METER WHEEL ASSEMBLY (370/375)**



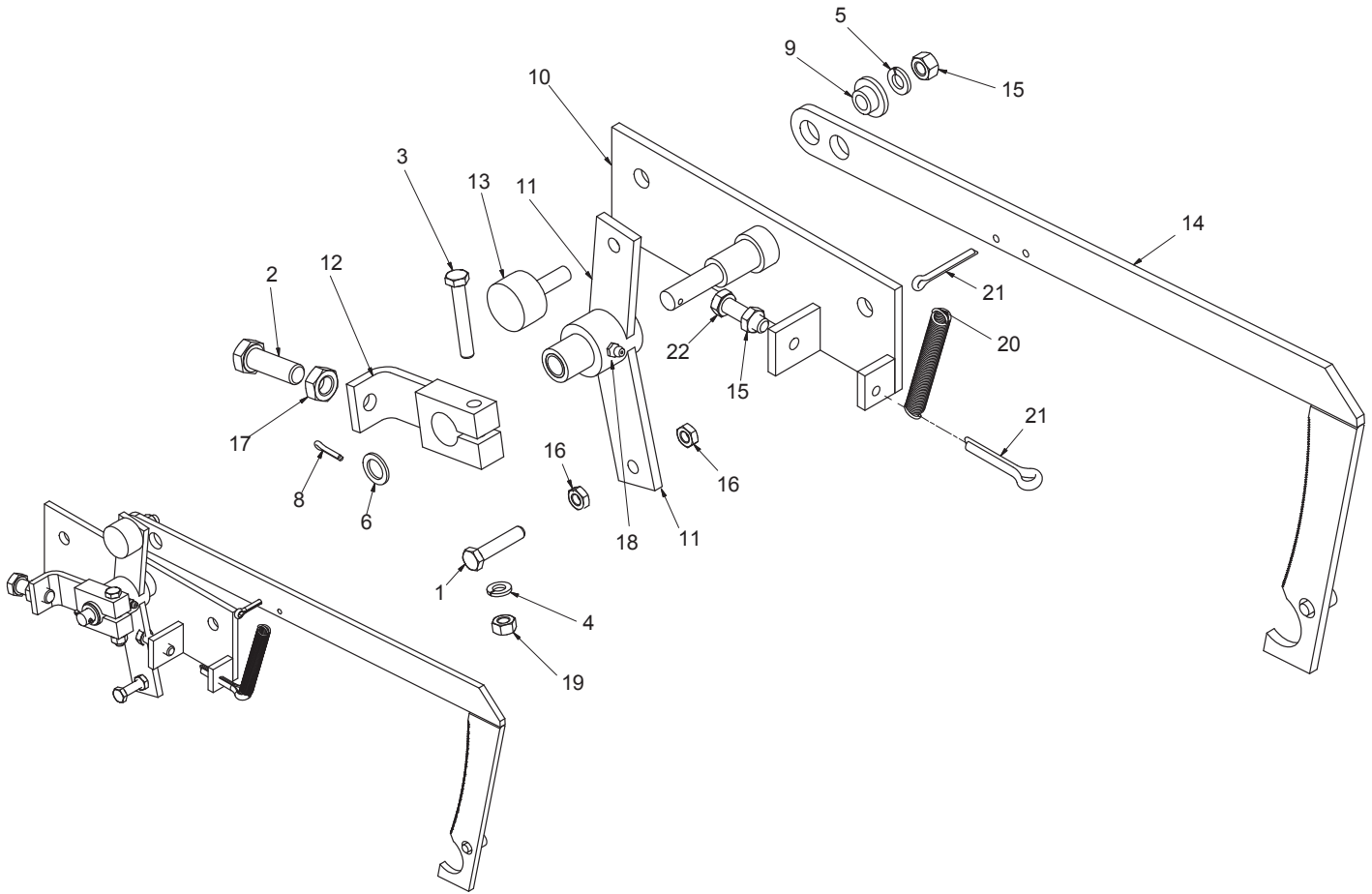


---

**METER WHEEL ASSEMBLY (370/375)**

REF NO.	PART NO.	DESCRIPTION	QTY. USED
	<b>SAL0000004</b>	<b>METER WHEEL ASSEMBLY</b>	
1	F000008022	. SHAFT	1
2	F000001531	. METER WHEEL	1
3	F000001617	. METER WHEEL SHAFT BRACKET	2
4	F000001687	. DISC, KNURLED FRICTION	1
5	F000008023	. GUIDE WASHER	2
6	246125	. CAPSCREW	4
7	R13811512	. NUT	4
8	221499W	. CAPSCREW	1
9	STS3750375	. SET SCREW, SOCKET	2
10	R13812513	. WASHER	4
11	F000001619	. METER WHL SHAFT-BRG & COLLAR	2
12	F000001889	. FLANGETTE F/F1618 BEARING	4
13	R13801791	. CAPSCREW	2
14	WES0000375	. STAR WASHER-PLATEAIN	1
15	R13812514	. WASHER	1

**KNOTTER TRIP MOUNT ASSEMBLY (370)**



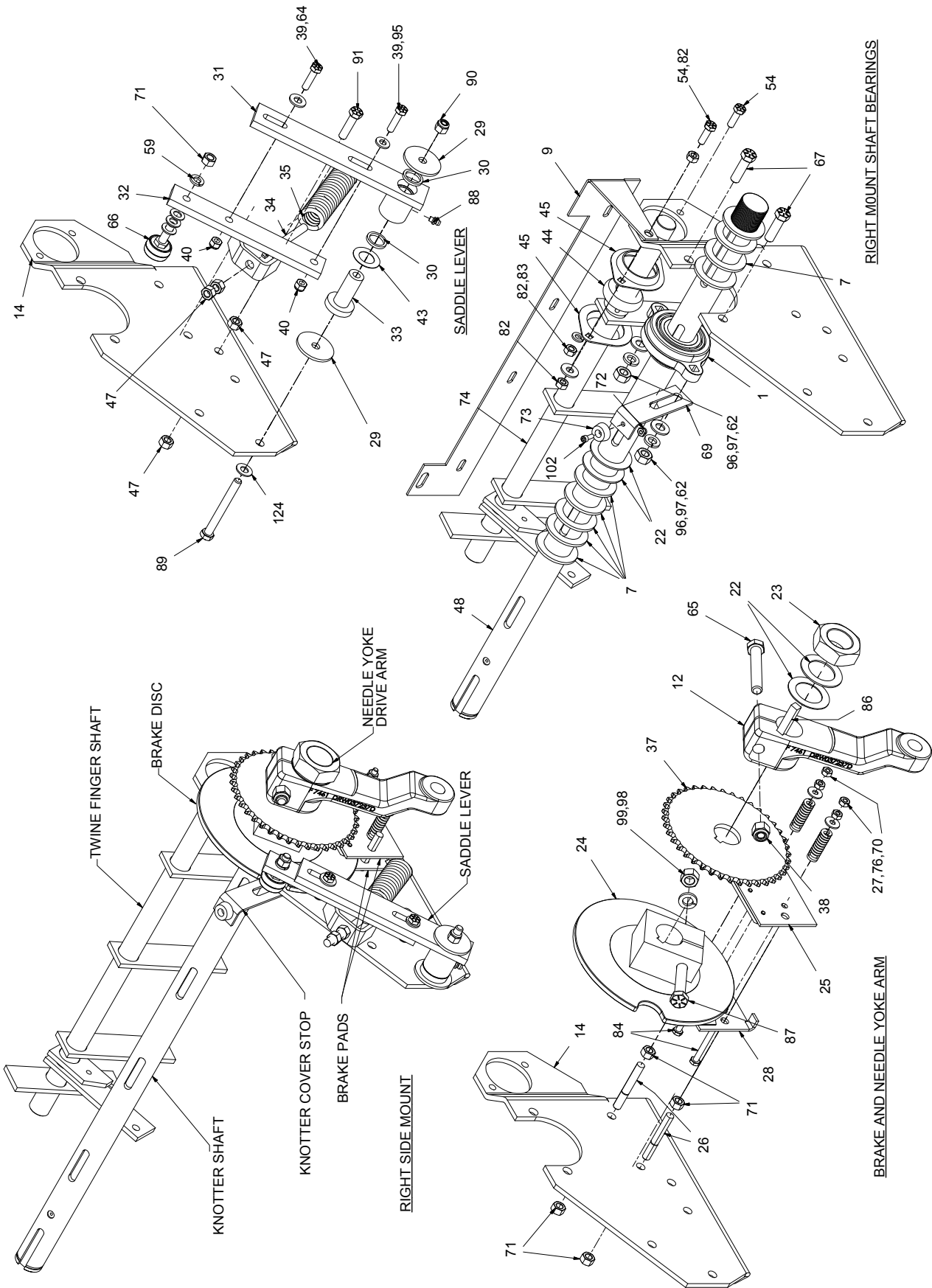
---

**KNOTTER TRIP MOUNT ASSEMBLY (370)**

REF NO.	PART NO.	DESCRIPTION	QTY. USED
1	R13811016	CAPSCREW	1
2	200454W	CAPSCREW	1
3	221475W	CAPSCREW	1
4	R13812513	LOCKWASHER	1
5	234135	LOCKWASHER	1
6	ZZ00000210	BUSHING	1
8	00103385	COTTER PIN	1
9	F000000440	FERRULE	1
10	F000001513	MOUNTING	1
11	F000001514	LEVER, RESET	1
12	F000001515	LEVER	1
13	BRG0001572	CAM FOLLOWER	1
14	KNT0032132	BAR	1
15	221707W	NUT	1
16	00114502	JAM NUT	3
18	09417892	ZERK	1
17	234218	JAM NUT	1
19	R13803725	NUT	1
20	F000000278	SPRING F/KNOTTER TRIP ARM	1
21	00103409	COTTER PIN	2
22	221499W	CAPSCREW	1

# KNOTTER ASSEMBLY (370)

(1 OF 3)



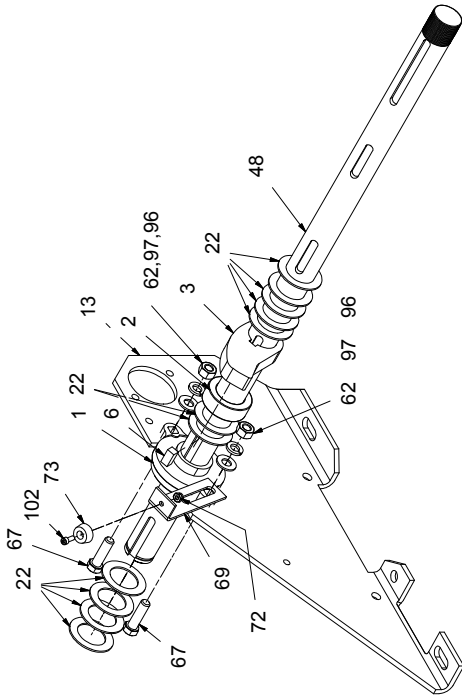
## KNOTTER ASSEMBLY (370)

REF NO.	PART NO.	DESCRIPTION	QTY. USED	REF NO.	PART NO.	DESCRIPTION	QTY. USED
	<b>SAL3700003</b>	<b>KNOTTER ASSEMBLY, RASPE</b>					
1	F000007063	. BEARING, SHAFT	2	46	F000007959	. BRACKET	1
2	F000000099	. SET COLLAR	1	47	221707W	. NUT	4
3	CAM0007180	. PLATE,CAM	1	48	F000008370	. SHAFT	1
4	F000004104	. KEY	3	49	HTB0030006	. SCREW, FULL THREAD	1
5	F000007904	. KEY	1	50	18466W	. CAPSCREW <b>GR5</b>	2
6	F000008054	. KEY	1	51	F000001517	. SPRING, TRIP	1
7	R616841	. BUSHING	11	52	209511	. FITTING	1
8	GER0006068	. CAM GEAR	3	53	NYL0001250	. TUBE	56'
9	BKT0032971	. BRACKET	1	54	R13811014	. CAPSCREW	3
10	F000004136	. WASHER	2	55	SHM0000103	. SHIM	AR
11	F000001441	. ELBOW W/SLEEVE	1	56	SHM0000105	. SHIM, .020"	AR
12	F000007461	. DRIVE ARM, NEEDLE YOKE	1	57	223428	. WASHER	4
13	F000008369	. PLATE, LH MOUNTING	1	58	223427	. WASHER	6
14	F000008368	. PLATE, RH MOUNTING	1	59	234135	. WASHER	4
15	F000007988	. SNAP RING	1	61	F000008288	. FITTING	12
16	F000007519	. HOUSING ASSEMBLY	1	62	R13803713	. NUT	4
16.1		.. NOT SOLD SEPARATELY		63	R13811016	. CAPSCREW	3
16.2	234887	.. CAPSCREW;	1	64	R13811431	. WASHER	1
16.3	223587	.. NUT, ESNA	1	65	R13801850	. CAPSCREW	1
16.4	CLH0020799	.. PAWL, KNOTTER CLUTCH	1	66	F000001572	. CAM FOLLOWER	2
16.5	F000008315	.. WASHER	1	67	134328W	. CAPSCREW	4
16.6	COT0000301	.. COTTER PIN	1	68	223572	. FITTING	2
16.7	F000008315	.. WASHER	1	69	STO0022419	. BAR, STOP	2
16.8	F000004115	.. SPRING	1	70	221703W	. NUT	6
16.9	PIN0020739	.. PIN	1	71	221708W	. NUT	8
16.10	KPR0020740	.. KEEPER	1	72	223799	. NUT	2
16.11	223871	.. WASHER, LOCK	1	73	BMP0004243	. BUMPER, SHIELD	2
16.12	133469W	.. CAPSCREW;	1	74	F000007958	. DRIVE SHAFT, TWINE FINGER	1
17	900249	. DISC & BRG ASSEMBLY	1	75	LUB0833116	. MANIFOLD	3
	F000004134	.. BEARING	1	76	R13811443	. WASHER	2
18	F000004135	. INNER RACE	1	78	KNT006006A	. HEAD ASSEMBLY-W/ BUSHINGS	3
19	F000000755	. SPROCKET, CLUTCH	1	79	235620	. NUT	1
20	F000007977	. WASHER	AR	82	221705W	. NUT	8
21	F000004161	. BUSHING	5	83	R13812513	. WASHER	4
22	F000004160	. BUSHING	20	84	234867	. CAPSCREW	2
23	NEJ0013750	. JAM NUT	1	86	ZZ00000419	. KEY	1
24	F000007528	. BRAKE DISC ASSEMBLY	1	87	R13811082	. CAPSCREW	1
25	F000007450	. BRAKE PLATE, OUTSIDE W/LINING	1	88	11079	. FITTING	1
26	F000007451	. STUD, BRAKE PLATE	2	89	R13811045	. CAPSCREW	1
27	F000007453	. SPRING, BRAKE PLATE	2	90	237567	. NUT	1
28	F000007449	. BRAKE PLATE, INSIDE W/LINING	1	91	Y17C-0624	. CAPSCREW	1
29	F000000246	. WASHER	2	95	R13802914	. WASHER	1
30	F000007587	. SEAL	2	96	R13811432	. WASHER	4
31	LEV0025133	. LEVER, LOWER SADDLE	1	97	223595	. WASHER	4
	F000007586	.. BUSHING	1	98	R13812516	. WASHER	1
32	F000007560	. LEVER	1	99	221712W	. NUT	1
33	F000007585	. SLEEVE, LEVER	1	100	16805W	. CAPSCREW	2
34	F000007448	. EYEBOLT, SADDLE LEVER SPRING	1	101	221711W	. NUT	2
35	F000007559	. SADDLE LEVER SPRING	1	102	234991	. CAPSCREW	2
37	F000008202	. SPROCKET, PUMP DRIVE	1	103	F000007978	. WASHER	AR
38	223587	. NUT	1				
39	18498W	. CAPSCREW	2		* KIT F000008095, INCLUDES (2) F000006004 & (1) F000006003		
40	223588	. NUT	2				
41	F000008287	. FITTING	6				
43	F000000802	. WASHER	1		KIT F000007454 INCLUDES BRAKE (2) BRAKE LININGS AND RIVITS.		
44*	F000006003	. BEARING & SET COLLAR	2				
45*	F000006004	. FLANGETTE	4				

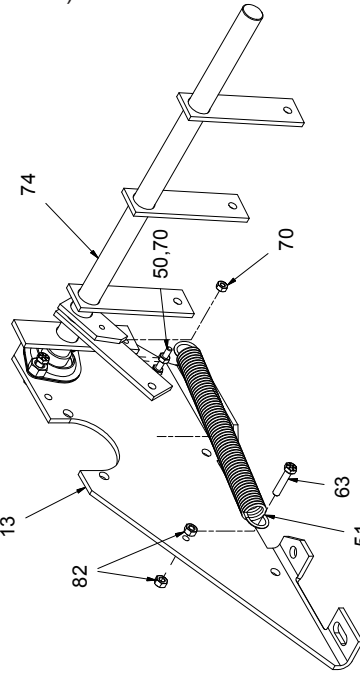
AR - AS REQUIRED

# KNOTTER ASSEMBLY (370)

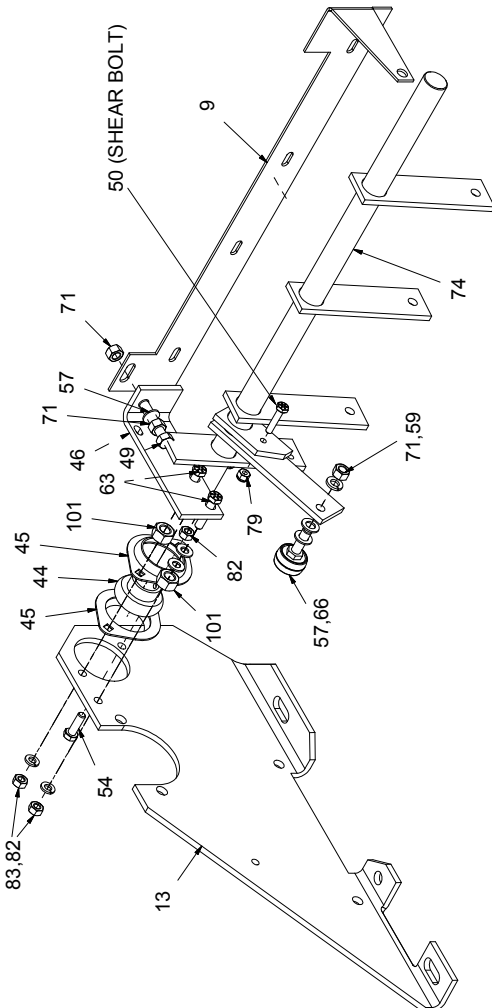
(2 OF 3)



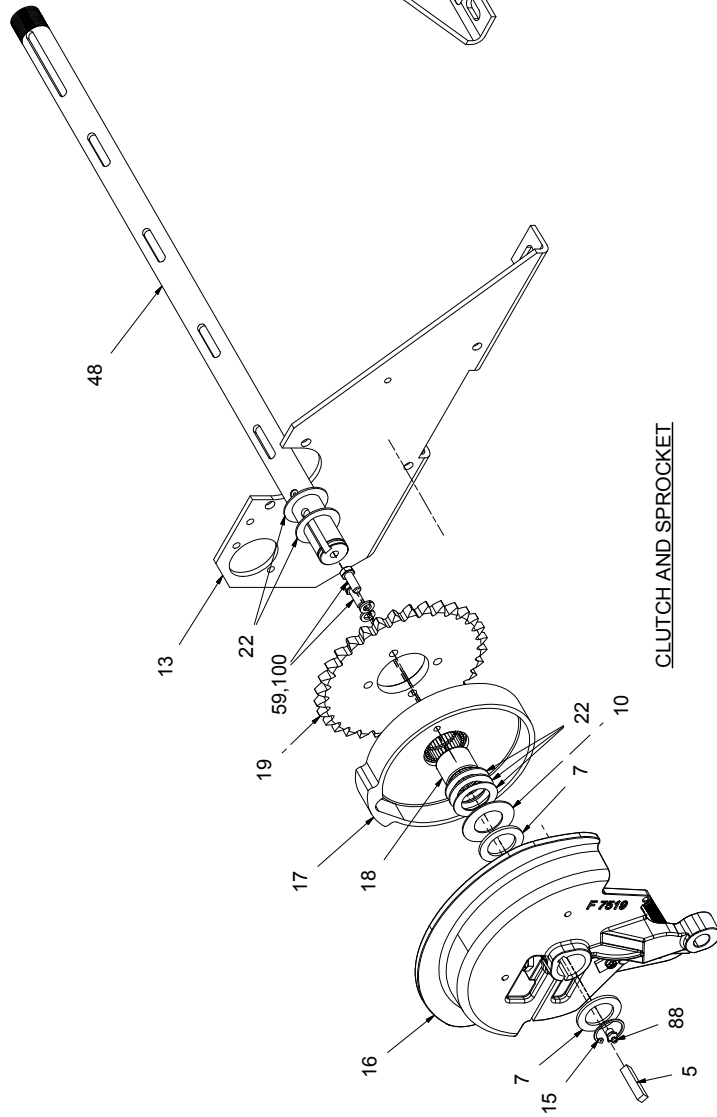
LEFT SIDE KNOTTER BEARING AND CAM



TRIP SPRING



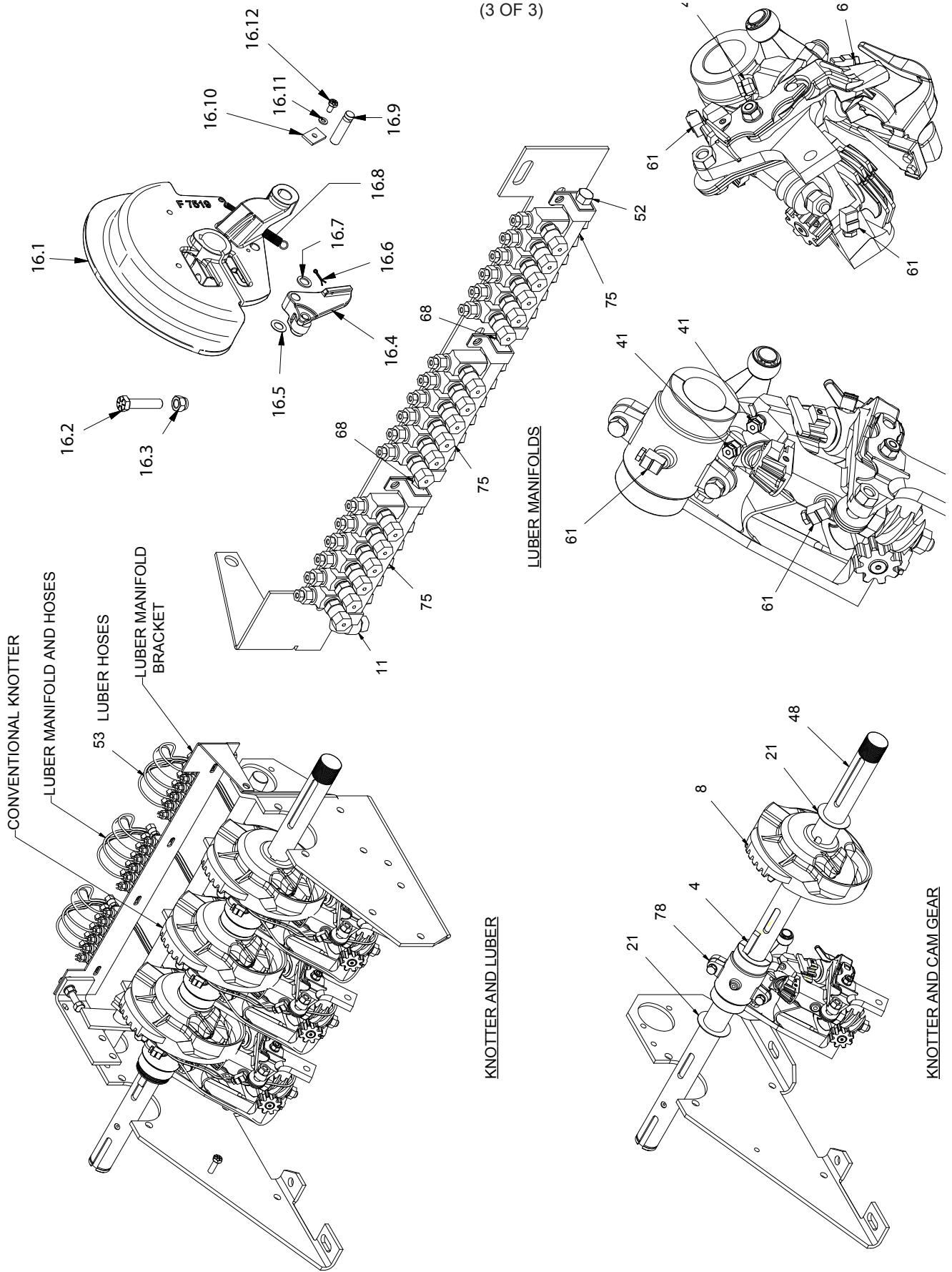
LEFT SIDE TWINE SHAFT



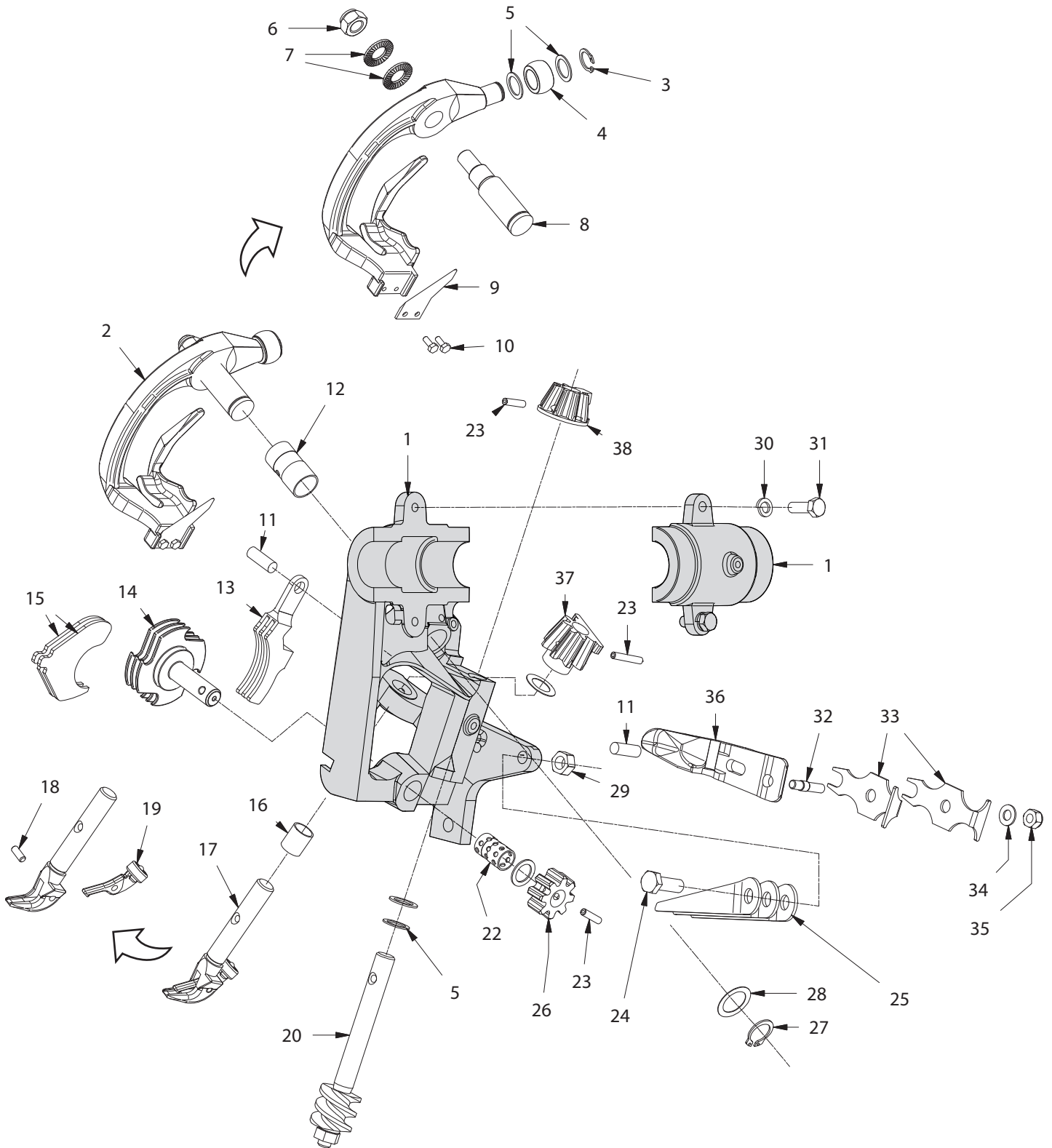
CLUTCH AND SPROCKET

# KNOTTER ASSEMBLY (370)

(3 OF 3)



**KNOTTER (370)**





## KNOTTER (370)

REF NO.	PART NO.	DESCRIPTION	QTY. USED	REF NO.	PART NO.	DESCRIPTION	QTY. USED
	KNT006006A	HEAD ASSY		21	F00000659	. WASHER	AR
1	KNT0060060	. KNOTTER FRAME ONLY	1	21	F000001680	. WASHER	AR
2	F000008050	. KNIFE ARM COMPLETE	1	21	RS00010500	. WASHER	AR
3	F000008275	. . SNAP RING F/KNIFE ARM ROLLER	1	22	RS00006003	. TWINE DISC BUSHING F/KNT60060	1
4	F000008274	. . ROLLER F/KNIFE ARM	1	23	253271	. SPIRAL PIN F/KNOTTER GEARS	3
5	F000008280	. . WASHER		24	Y09C-M1030	. CAPSCREW	1
6	RS331112051	. . NUT, F/KNIFE ARM PIN	1	25	F000008052	. TWINE HOLDER SPRING	3
7	RS20661120	. . LOCKWASHER, F/KNIFE ARM PIN	2	26	F00007871	. TWINE HOLDER DISC PINION	1
8	RS20637722	. . PIN, KNIFE ARM PIN	1	27	F000007976	. SNAP RING, F/KNIFE ARM SHAFT	1
	RS206377212	. KNIFE ARM PIN COMPLETE	1	28	F000007860	. WASHER, KNIFE ARM	AR
9	F000008049	. . TWINE KNIFE	1	29	NCHM010150	. NUT	1
10	F000007859	. . SCREW , TWINE KNIFE	2	30	WLKM000080	. WASHER	AR
11	RS03451926	. PIN F/BILL HOOK CAM & SPRING	2	31	Y09C-M0825	. CAPSCREW	2
12	RS00602201	. BUSHING, KNIFE ARM	1	32	F000007948	. SCREW, ADJUSTING HOOK CAM	1
13	F000007868	. HOLDER , TWINE	1	33	F000007947	. KNOTTER HOOK CAM ADJ SPRING	AR
14	RS00006085	. RETAINER , TWINE DISC	1	34	223428	. WASHER	1
15	F000007870	. CLEANER, TWINE DISC	2	35	F000007949	. NUT, CAM ADJ. SCREW	1
16	RS00006002	. BUSHING , BILL HOOK	1	36	F000008051	. KNOTTER HOOK CAM	1
17	RS00006015	. BILL HOOK STANDARD	1	37	253270	. HARDENED BILL HOOK PINION	2
		FOR SMALLER THAN 280 KNOT STRENGTH TWINE.		38	GER0007873	. HARDENED KNOTTER WORM PINION	1
	RS00006035	. BILL HOOK, OPTION LARGER	AR	39	F000008068	. SPACER F/BILL HOOK PIN - .020	AR
		FOR 280 KNOT STRENGTH AND LARGER.		39	F000008069	. SPACER F/BILL HOOK PIN .035	AR
18	RS00001514	. ROLL PIN, BILL HOOK	1				
19	RS00003786	. TRIGGER, BILL HOOK	1				
20	F000007876	. KNT WORM & SHAFT (COMPL ONLY)	1				
21	F000000658	. WASHER	AR				

### 900182 1 KNOTTER REBUILD KIT

INCLUDES:

28	F000007860	. WASHER, KNIFE ARM	1
13	F000007868	. TWINE HOLDER	1
26	F000007871	. PINION, TWINE HOLDER DISC	2
20	F000007876	. KNOTTER WORM & SHAFT ASSY	1
36	F000008051	. HOOK CAM , KNOTTER	1
5	F000008280	. WASHER	1
37	253270	. PINION, BILL HOOK	1
38	GER0007873	. PINION , KNOTTER WORM	1
16	RS00006002	. BUSHING, BILL HOOK	1
22	RS00006003	. BUSHING , TWINE DISC	1
12	RS00602201	. BUSHING, KNIFE ARM	1
17	RS00006015	. BILL HOOK	1
23	253271	. SPIRAL PIN, F/KNOTTER GEARS	1
33	F000007947	. KNOTTER HOOK CAM ADJ SPRING	1
25	F000008052	. TWINE HOLDER SPRING	2
14	RS00006085	. RETAINER, TWINE DISC	1
2	F000008050	. KNIFE ARM, COMPLETE	1

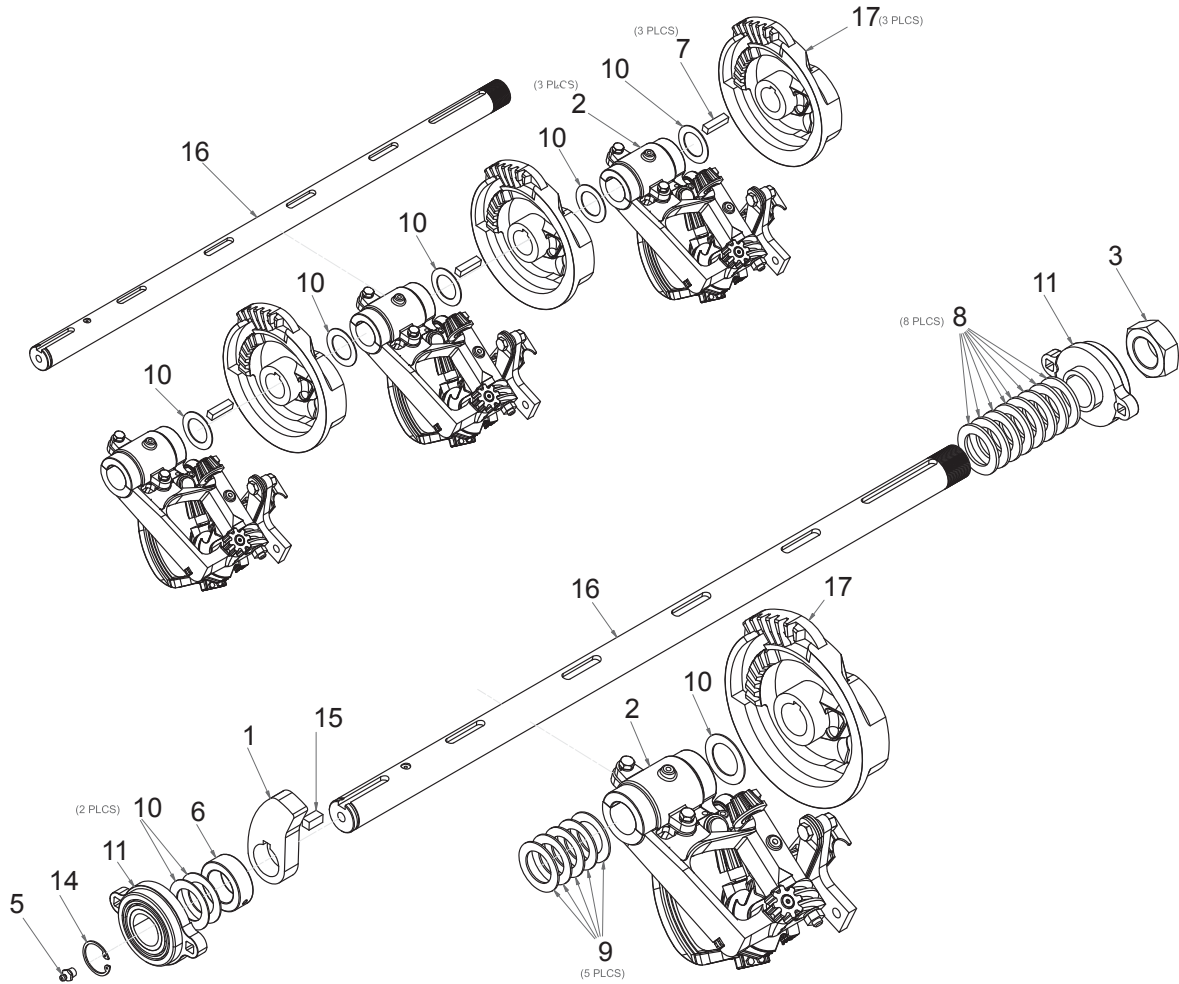
### 900183 3 KNOTTER REBUILD KIT

INCLUDES:

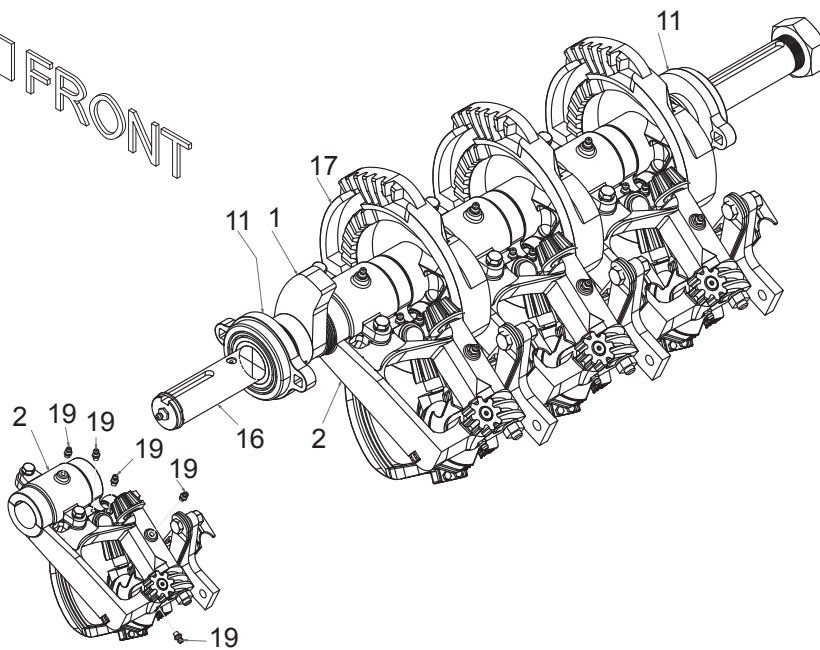
28	F000007860	. WASHER, KNIFE ARM	6
13	F000007868	. TWINE HOLDER	3
26	F000007871	. PINION, TWINE HOLDER DISC	3
20	F000007876	. KNOTTER WORM & SHAFT ASSY	3
36	F000008051	. HOOK CAM, KNOTTER	3
5	F000008280	. WASHER	6
37	253270	. PINION, BILL HOOK	3
38	GER0007873	. PINION , KNOTTER WORM	3
16	RS00006002	. BUSHING , BILL HOOK	3
22	RS00006003	. BUSHING , TWINE DISC	3
12	RS00602201	. BUSHING, KNIFE ARM	3
17	RS00006015	. BILL HOOK	3
23	253271	. SPIRAL PIN F/KNOTTER GEARS	9
33	F000007947	. KNOTTER HOOK CAM ADJ SPRING	3
25	F000008052	. TWINE HOLDER SPRING	6
14	RS00006085	. RETAINER , TWINE DISC	3
2	F000008050	. KNIFE ARM, COMPLETE	3

AR - AS REQUIRED

### KNOTTER SHAFT KIT (370)



FRONT

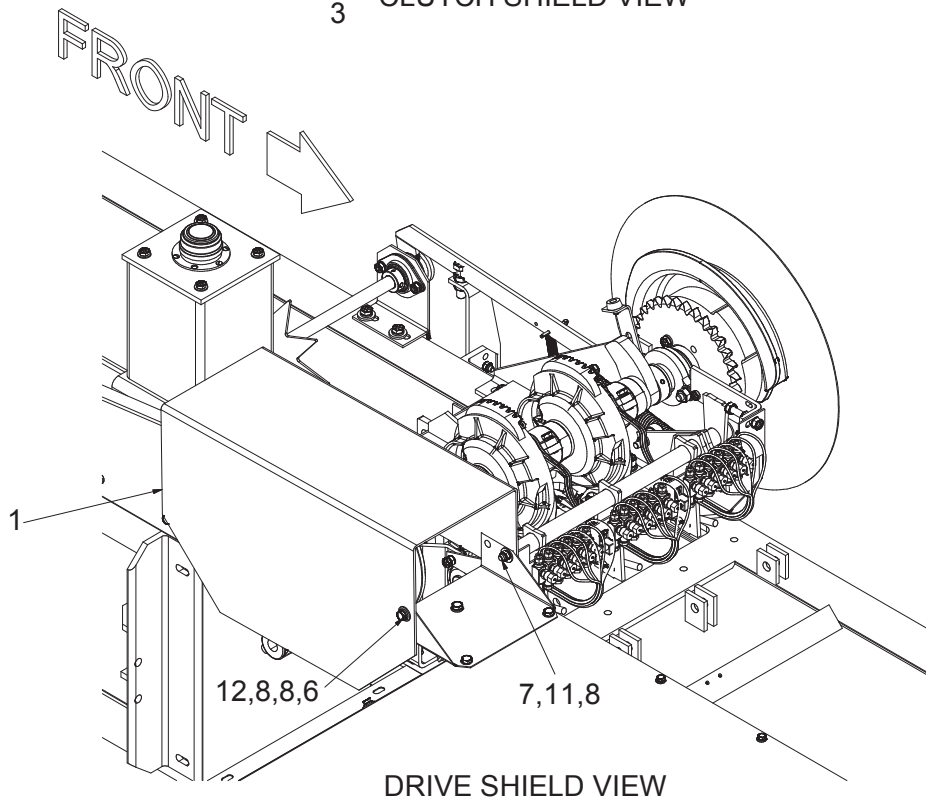
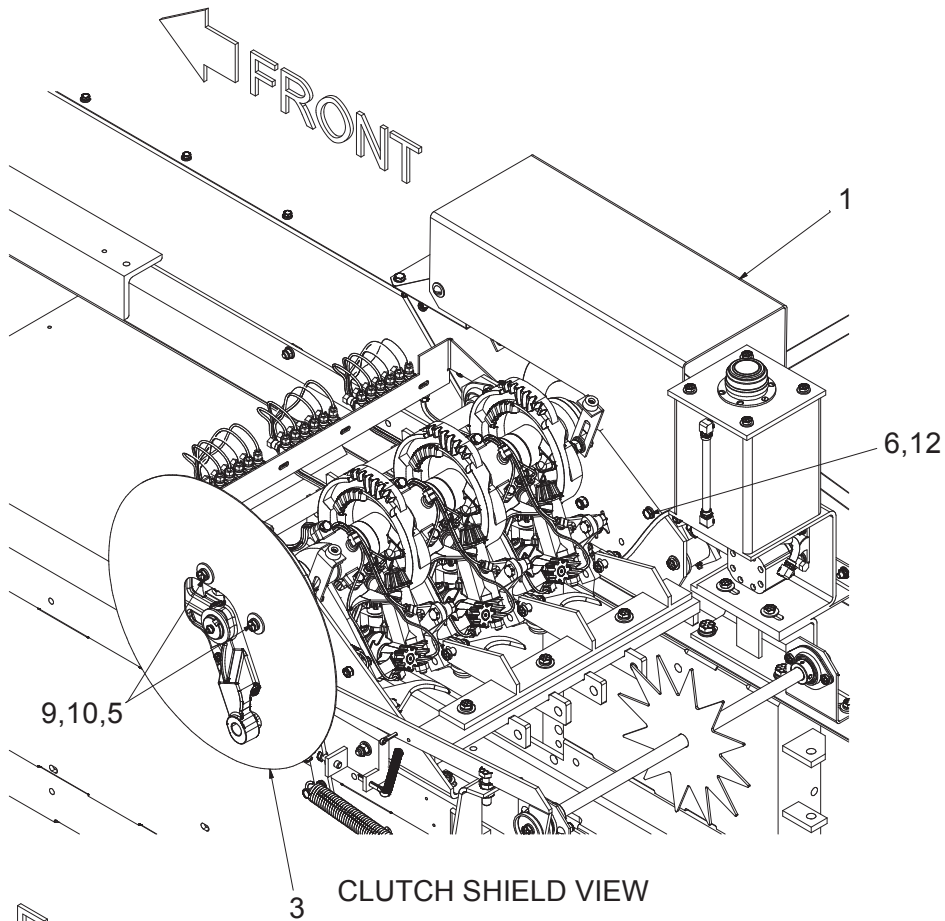


## KNOTTER SHAFT KIT (370)

REF NO.	PART NO.	DESCRIPTION	QTY. USED
<b>KIT0008214 KIT,TWN KNTR SHAFT</b>			
1	CAM0007180	. PLATE,CAM	1
2	KNT006006A	. HEAD ASSEMBLY-W/ BUSHINGS	3
3	NEJ0013750	. ESNA JAM NUT NF	1
5	00191758	. FITTING, LUBE,	1
6	F000000099	. SET COLLAR	1
7	F000004104	. KEY	3
8	R616841	. MACH BUSH	8
9	F000004160	. MACH BUSH	5
10	F000004161	. MACH BUSH	7
11	F000007063	. BEARING, SHAFT	2
14	F000007988	. SNAP RING	1
15	F000008054	. KEY	1
16	F000008370	. SHAFT	1
17	GER0006068	. MODULAR CAM GEAR	3
19	11079	. FITTING, LUBE,	15

Rev: 03/10 DB

**KNOTTER/DRIVE ARM SHIELD INSTALLATION (370/375)**



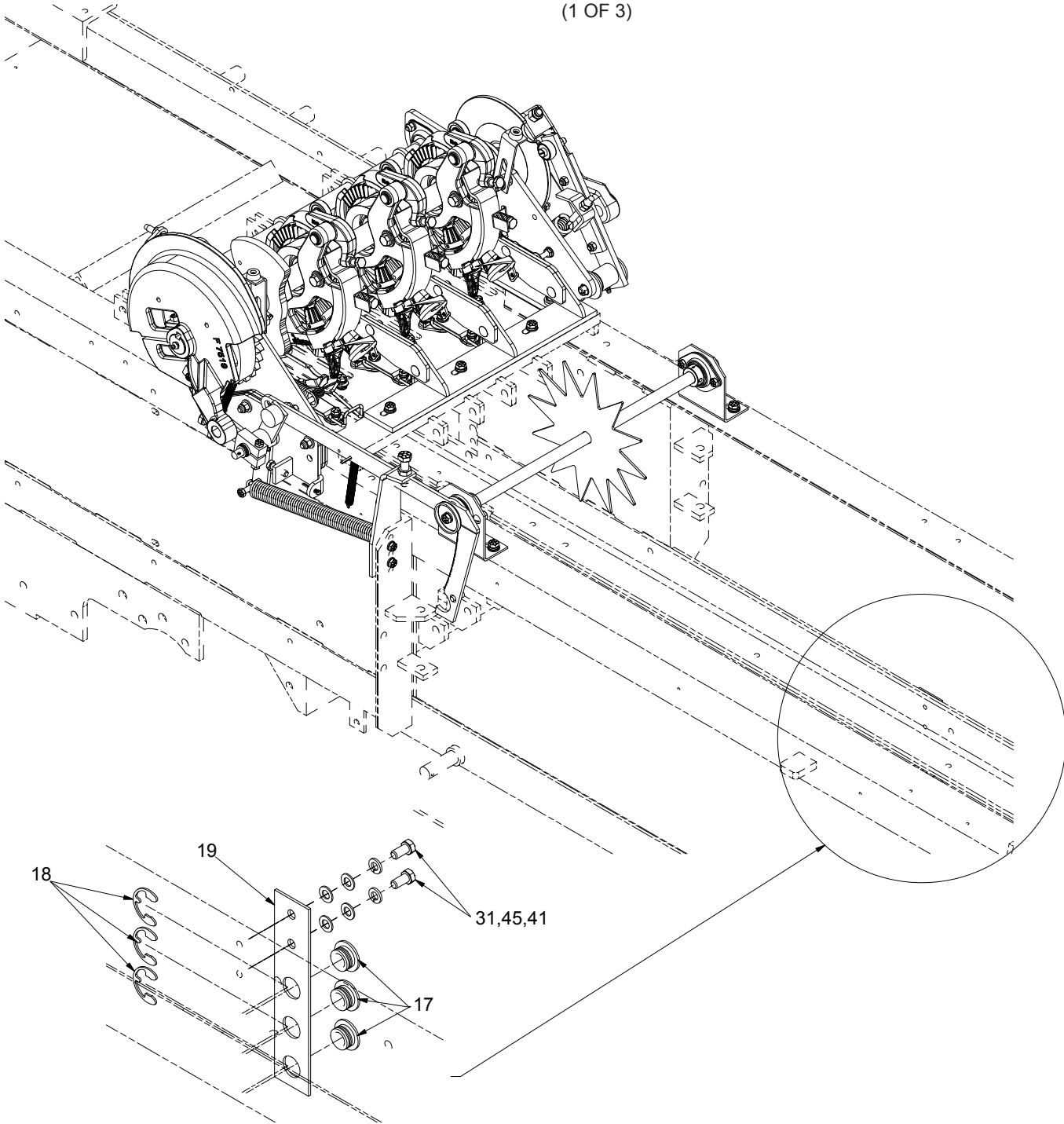
---

**KNOTTER/DRIVE ARM SHIELD INSTALLATION (370/375)**

REF NO.	PART NO.	DESCRIPTION	QTY. USED
1	F000008375	PLATE, RH SHIELD	1
3	F000007987	SHIELD F/KNOTTER CLUTCH	1
5	16805W	CAPSCREW	2
6	SMS0000184	BOLT, WHIZ	2
7	235240	SCREW	1
8	223428	WASHER	3
9	223427	WASHER	2
10	234135	WASHER	2
11	232939	NUT	1
12	00273802	NUT	2

# KNOTTER INSTALLATION (375)

(1 OF 3)



TWINE GUIDE

## KNOTTER INSTALLATION (375)

REF NO.	PART NO.	DESCRIPTION	QTY. USED	REF NO.	PART NO.	DESCRIPTION	QTY. USED
	<b>902594</b>	<b>KNOTTER INSTALLATION, WELGER</b>		<b>31</b>	162572W	. CAPSCREW	6
1	ROD037018B	. ROD ASSEMBLY, DRIVE	3	32	Y17C-0616	. CAPSCREW	3
2	BRG0001300	. BEARING, ROD END	3	33	221499W	. CAPSCREW	3
3	BRG0001301	. BEARING, ROD END	3	34	R13801813	. CAPSCREW	2
4	903200	. TWINE FINGER	3	35	R13811077	. CAPSCREW	1
5	WAS037715A	. WASHER	6	36	Y09C-M1025	. CAPSCREW	3
6	WLG0000003	. SPRING, STOP	3	37	233972	. BOLT, CARR	6
7	WLG0000001	. KNOTTER TWINE GUIDE PLATE	3	38	Y09G-0828	. CAPSCREW	3
8	WLG0000002	. KNOTTER STOP SPRING	3	39	Y09G-0832	. CAPSCREW	3
9	WLG0000005	. KNOTTER ANGLE SPRING	3	40	223428	. WASHER	32
10*	SALWGKNT03	. KNOTTER SUB ASSY, WELGER	1	41	223427	. WASHER	18
11	ANC0033729	. ANCHOR, KNOTTER	1	42	WCTM100080	. WASHER	6
12**	SAL0000004	. METER WHEEL ASSEMBLY	1	43	R1938872	. WASHER	3
13***	SAL0000580	. MOUNTING ASSY, KNOTTER TRIP	1	44	R13812513	. WASHER	19
14	SHM037349B	. SHIM, 3/16" PIVOT PLATE	AR	45	234135	. WASHER	12
15	SHM037350B	. SHIM, 1/8" PIVOT PLATE	AR	46	R13812516	. WASHER	6
16	SHM037348B	. SHIM, 1/4" PIVOT PLATE	AR	47	WLKM000080	. WASHER	3
17	F000000856	. BUSHING, TWINE & WIRE GUIDE	3	48	WLKM000100	. WASHER	3
18	F000000857	. SNAP RING F/TWN GUIDE BUSHING	3	49	WIS0003125	. WASHER	3
19	F000000525	. PLATE, HOLDER	1	50	R13802914	. WASHER	2
20	F000001632	. BAR, STOP	1	51	222598	. WASHER	2
21	SPC0033118	. SPACER	1	52	221771W	. WASHER	6
22	BKT0033732	. BRACKET	3	53	221705W	. NUT	13
23	SHM037779B	. SHIM	AR	54	221712W	. NUT	6
24	903106	. INSTRUCTIONS	1	55	R13803725	. NUT	3
25	WAS3751500	. WASHER, FENDER	3	56	NCHM008125	. NUT	3
26	F000001517	. TRIP SPRING	1	57	NFL0003125	. JAM NUT	3
27	18463W	. CAPSCREW	3	58	234218	. JAM NUT	2
28	18496W	. CAPSCREW	6	59	232939	. NUT	2
29	R13811015	. CAPSCREW	2	60	237567	. NUT	2
30	R13811016	. CAPSCREW	6	61	Y161248.1	. BUSHING	3
				62	223871	. WASHER	6

\* SEE PAGE 190

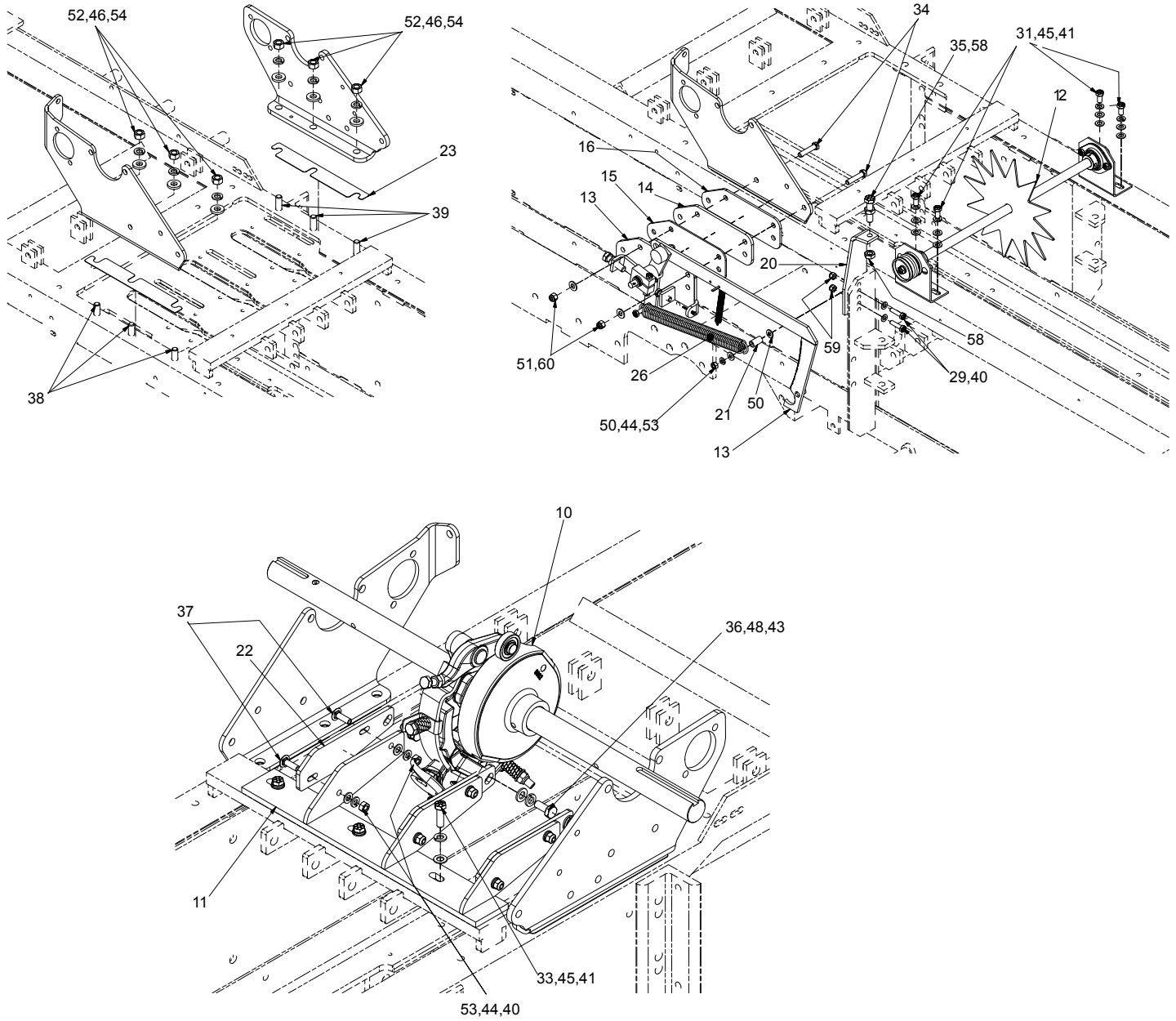
\*\* SEE PAGE 165

\*\*\* SEE PAGE 183

AR - AS REQUIRED

# KNOTTER INSTALLATION (375)

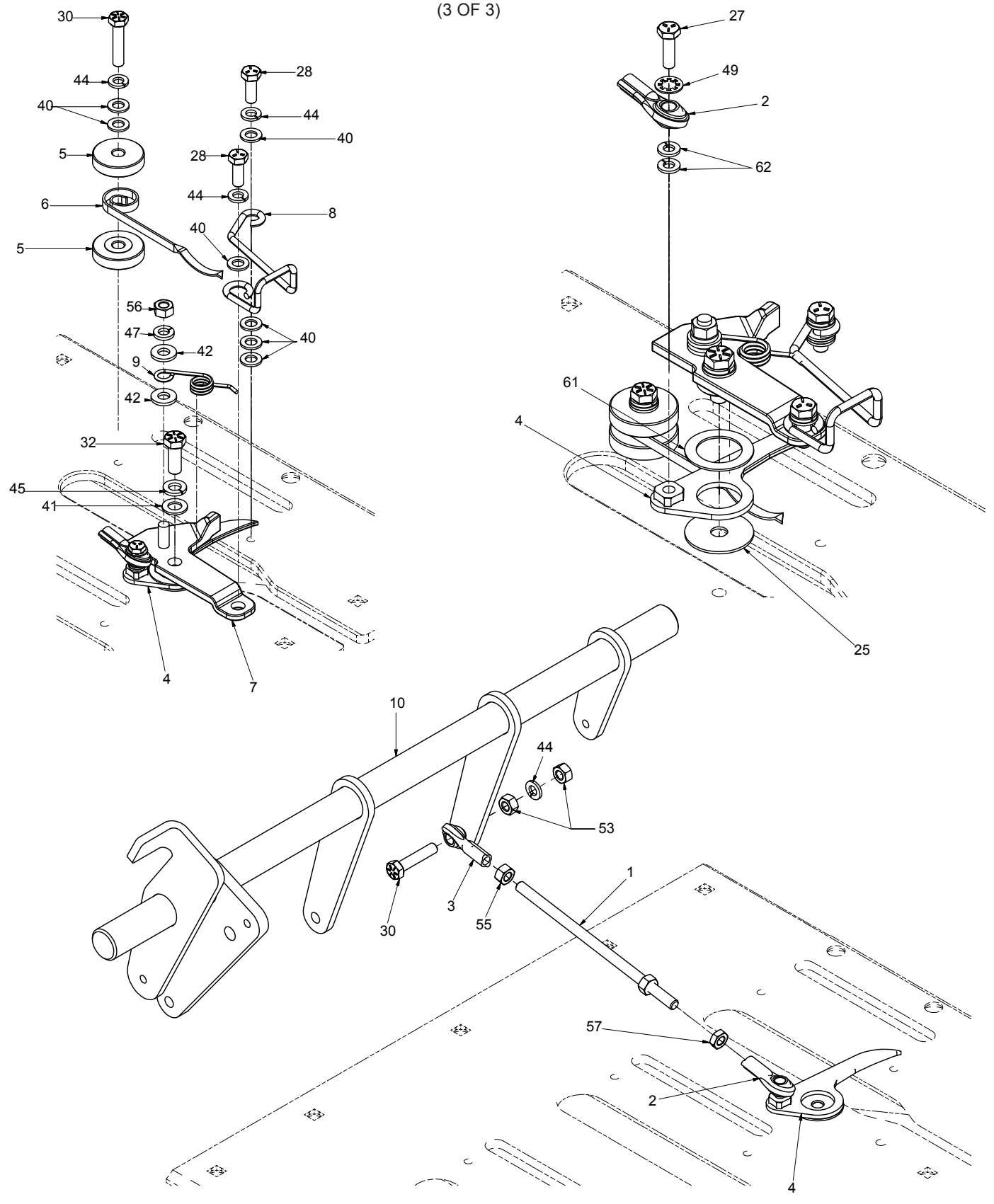
(2 OF 3)



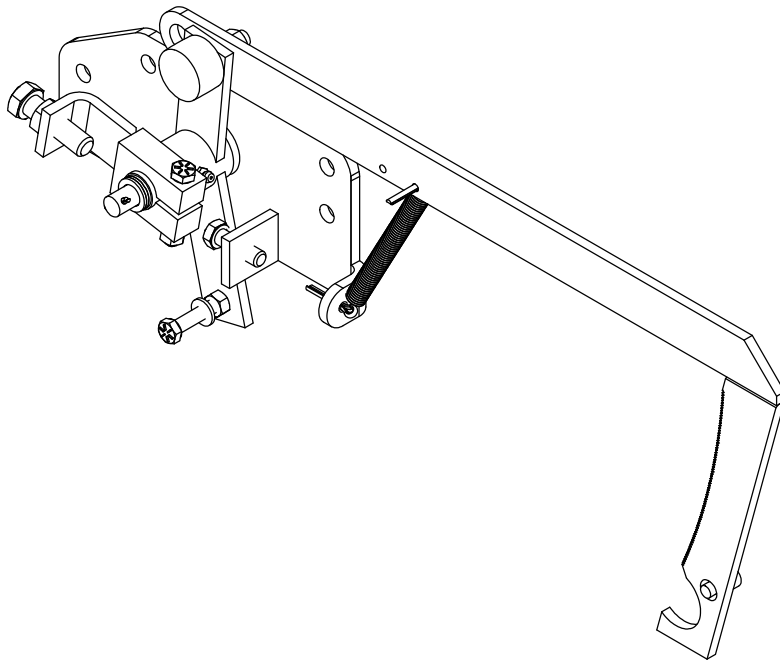
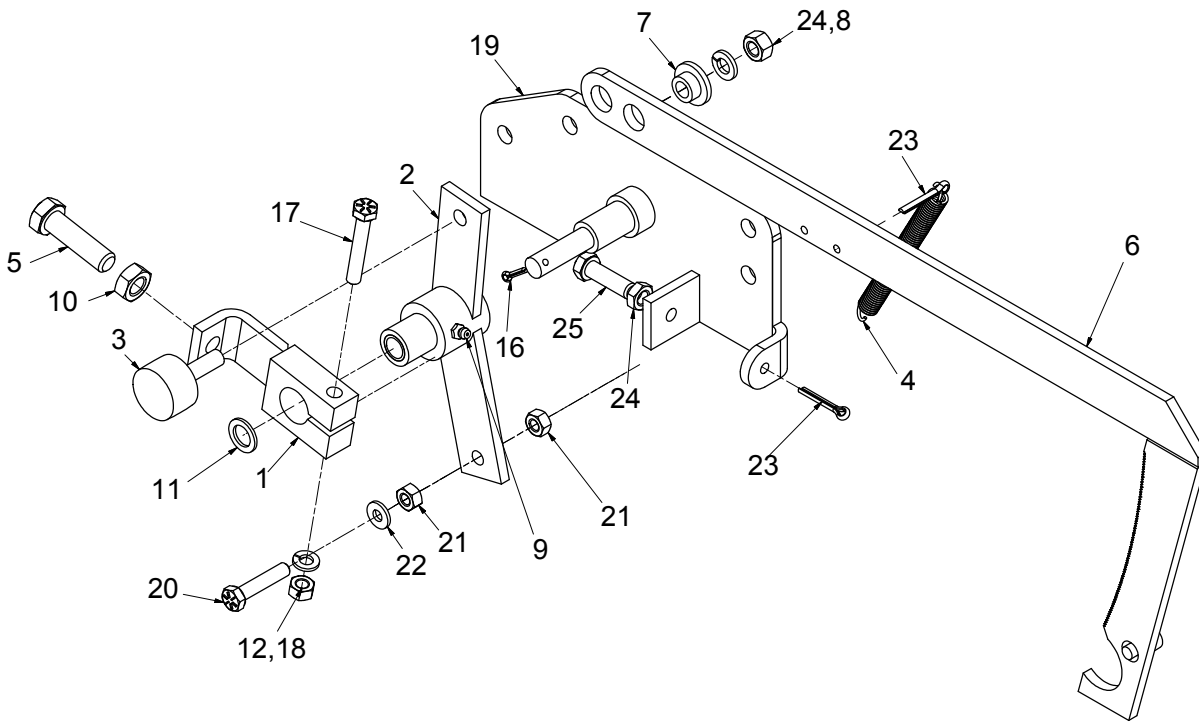


# KNOTTER INSTALLATION (375)

(3 OF 3)



**KNOTTER TRIP MOUNT ASSEMBLY (375)**

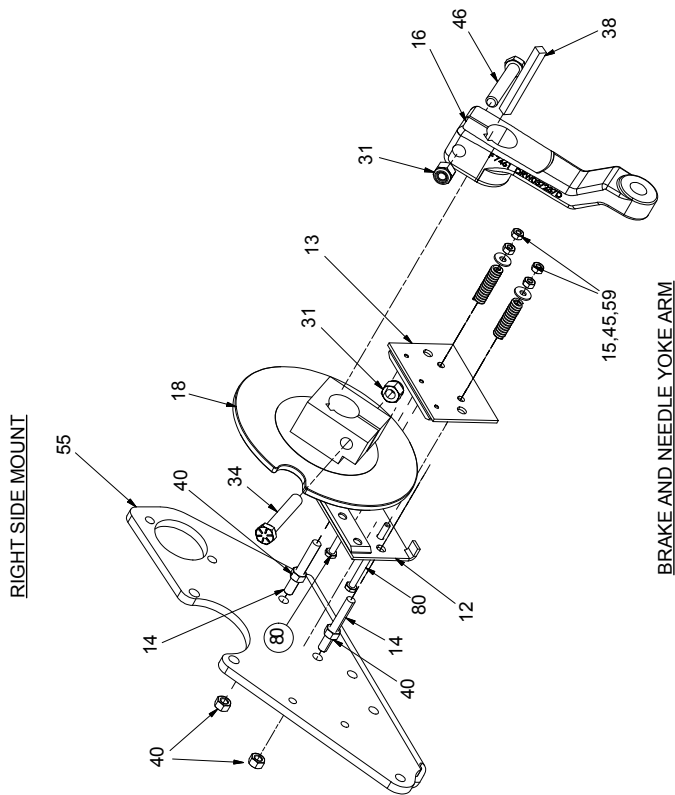
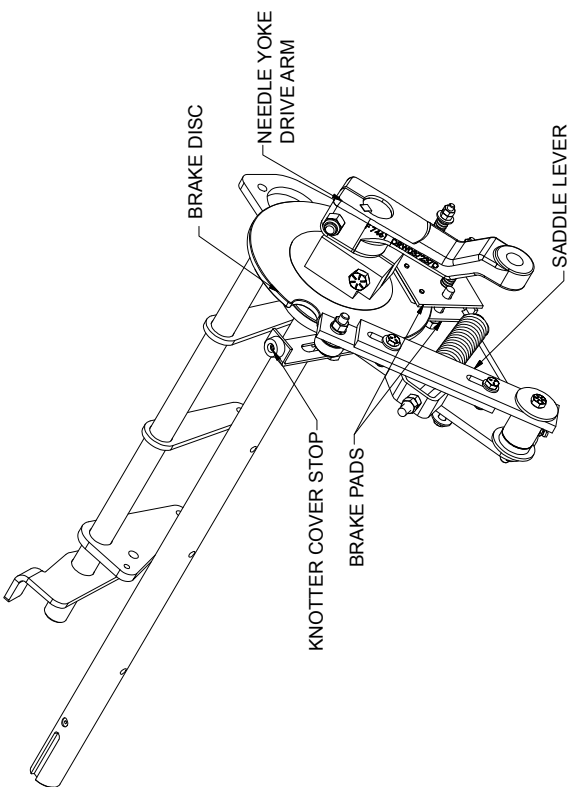
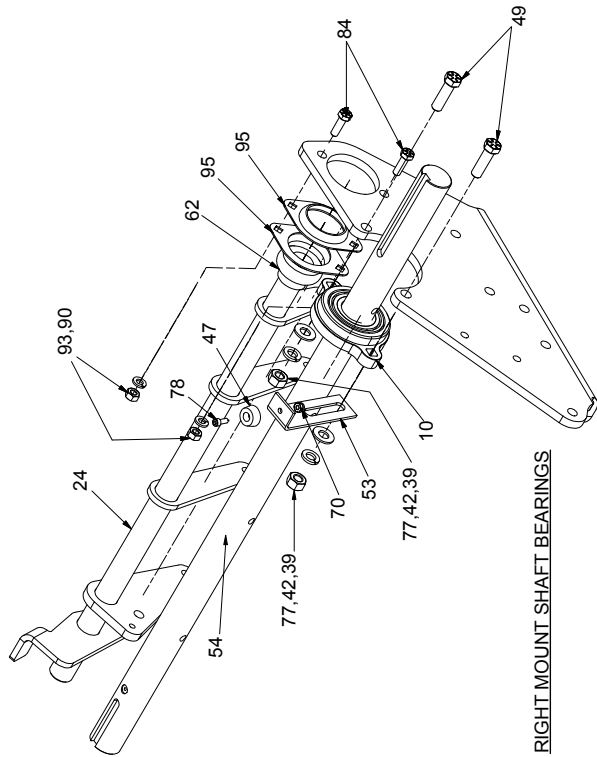
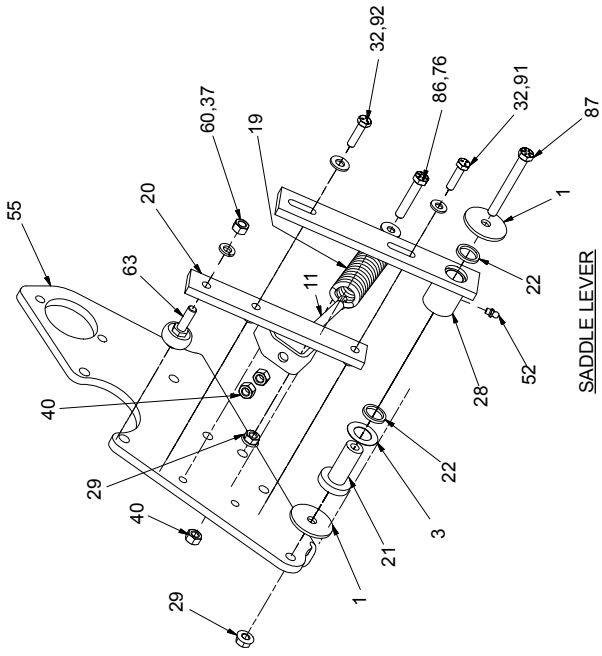


## KNOTTER TRIP MOUNT ASSEMBLY (375)

REF NO.	PART NO.	DESCRIPTION	QTY. USED
1	F000001515	LEVER	1
2	F000001514	LEVER, RESET	1
3	BRG0001572	CAM FOLLOWER 1-1/4 "	1
4	F000000278	SPRING F/KNOTTER TRIP ARM	1
5	221569W	CAPSCREW	1
6	KNT0032132	BAR	1
7	F000000440	FERRULE	1
8	234135	LOCKWASHER	1
9	09417892	ZERK	1
10	234218	JAM NUT	1
11	ZZ00000210	BUSHING	1
12	R13812513	LOCKWASHER	1
14	00124829	JAM NUT	1
16	00103385	COTTER PIN	1
17	221475W	CAPSCREW	1
18	R13803725	NUT	1
19	MNT037346D	MOUNTING	1
20	R13811016	CAPSCREW	1
21	221705W	NUT	2
22	221763W	WASHER	1
23	COT0000701	COTTER PIN	2
24	R13809551	NUT	1
25	221499W	CAPSCREW	1

**KNOTTER ASSEMBLY (375)**

(1 OF 3)

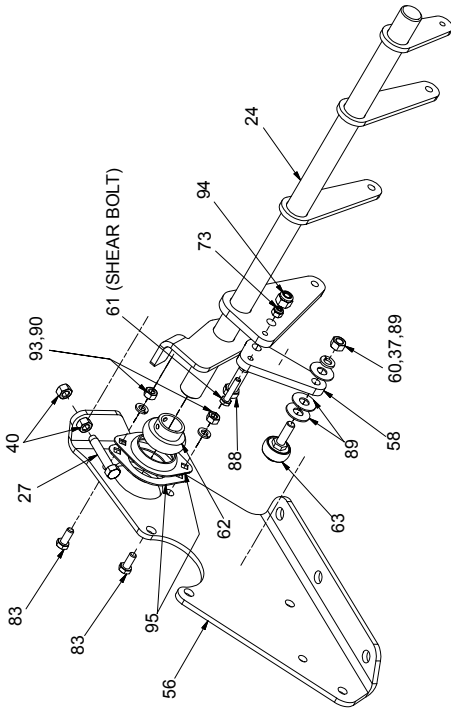


## KNOTTER ASSEMBLY (375)

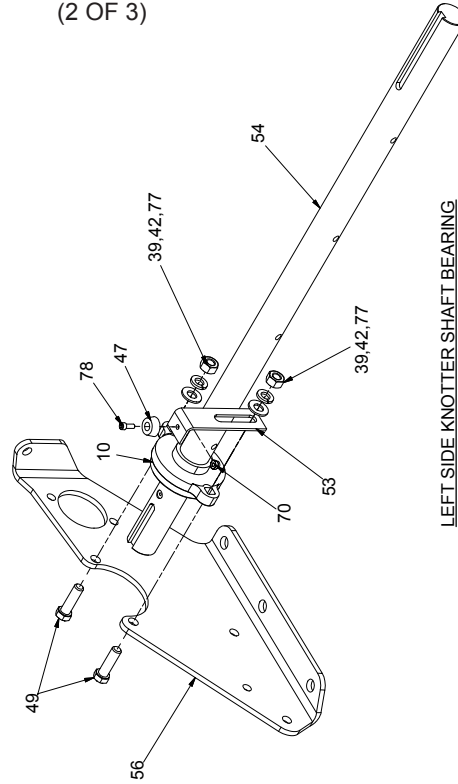
REF NO.	PART NO.	DESCRIPTION	QTY. USED	REF NO.	PART NO.	DESCRIPTION	QTY. USED
	<b>SALWGKNT03 KNOTTER SUBASSEMBLY, WELGER</b>			<b>51</b>	900249	. DISC & BRG ASSEMBLY	1
1	F00000246	. WASHER	2	52	F000004089	. ZERK	1
2	F00000755	. SPROCKET, CLUTCH	1	53	STO0022419	. BAR, STOP	2
3	F00000802	. WASHER	1	54	SHF0035600	. SHAFT, KNOTTER	1
4	F000004136	. WASHER	3	55	903197	. PLATE, RH MOUNTING	1
7	F000004135	. INNER RACE	1	56	903198	. PLATE, LH MOUNTING	1
8	F000004160	. BUSHING	5	57	CAM0033569	. CAM	1
9	F000004161	. BUSHING	2	58	LEV0035616	. PLATE, LEVER	1
10	F000007063	. BEARING, SHAFT	2	59	221703W	. NUT	6
11	F000007448	. SADDLE LEVER SPRING EYEBOLT	1	60	221708W2	. NUT	2
12	F000007449	. BRAKE PLATE , INSIDE W/LINING	1	61	18466W	. CAPSCREW GR5	1
13	F000007450	. BRAKE PLATE, OUTSIDE W/LINING	1	62	F000006003	. BEARING & SET COLLAR	2
14	F000007451	. BRAKE PLATE STUD	2	63	F000001572	. CAM FOLLOWER	2
15	F000007453	. BRAKE PLATE SPRING	2	64	Y17C-0616	. CAPSCREW	2
16	F000007461	. DRIVE ARM, NEEDLE YOKE	1	65	WLG0001064	. BOLT	4
17	F000007519	. HOUSING ASSEMBLY	1	66	WLG0001065	. NUT - WELGER KNOTTER	4
18	F000007528	. BRAKE DISC ASSEMBLY	1	67	WLG0001066	. WASHER	4
19	F000007559	. SADDLE LEVER SPRING	1	68	WLG0001063	. PIN, EXPANDING	4
20	F000007560	. LEVER	1	69	09416918	. NUT	2
21	F000007585	. SLEEVE, LEVER	1	70	223799	. NUT	2
22	F000007587	. SEAL	2	71	232939	. NUT	2
23	F000007904	. KEY	1	73	235620	. NUT	1
24	903196	. DRIVE SHAFT	1	76	223428	. WASHER	3
25	236655	. WASHER	2	77	R13811432	. WASHER	4
27	HTB0030006	. SCREW, FULL THREAD	1	78	234991	. CAPSCREW	2
28	LEV0025133	. LEVER ASSEMBLY	1	79	902221	. ROLL PIN	3
29	09411507	. NUT	2	80	234867	. CAPSCREW	2
31	223587	. NUT	2	81	F000007977	. WASHER	1
32	18498W	. CAPSCREW	2	82	R13801783	. CAPSCREW	2
34	R13811082	. CAPSCREW	1	83	R13801791	. CAPSCREW	2
37	234135	. WASHER	2	84	R13811014	. CAPSCREW	2
38	ZZ00000419	. KEY	1	85	R13811016	. CAPSCREW	2
39	R13803713	. NUT	4	86	R13811039	. CAPSCREW	1
40	221707W	. NUT	9	87	221518W	. CAPSCREW	1
41	F000007978	. WASHER	1	88	221532W	. CAPSCREW	1
42	223595	. WASHER	4	89	222677	. WASHER	3
43	F000001517	. TRIP SPRING	2	90	R13812513	. WASHER	4
44	11079	. FITTING	1	91	R13802914	. WASHER	1
45	R13811443	. WASHER	4	92	Y27E-06	. WASHER	1
46	R13801850	. CAPSCREW	1	93	221705W	. NUT	6
47	BMP0004243	. BUMPER, RUBBER	2	94	224119	. NUT	1
49	134328W	. CAPSCREW	4	95	F000006004	. FLANGETTE	4
50	00274218	. NUT	2				

# KNOTTER ASSEMBLY (375)

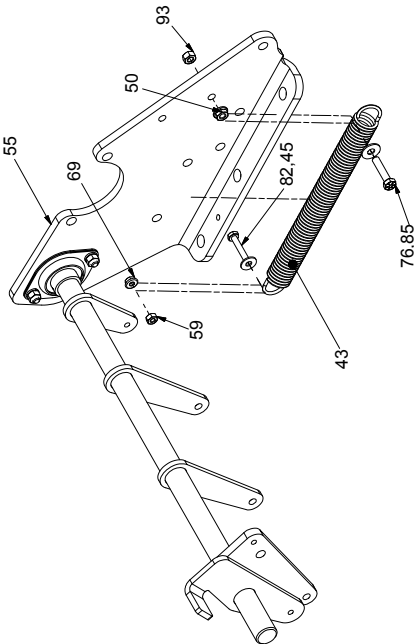
(2 OF 3)



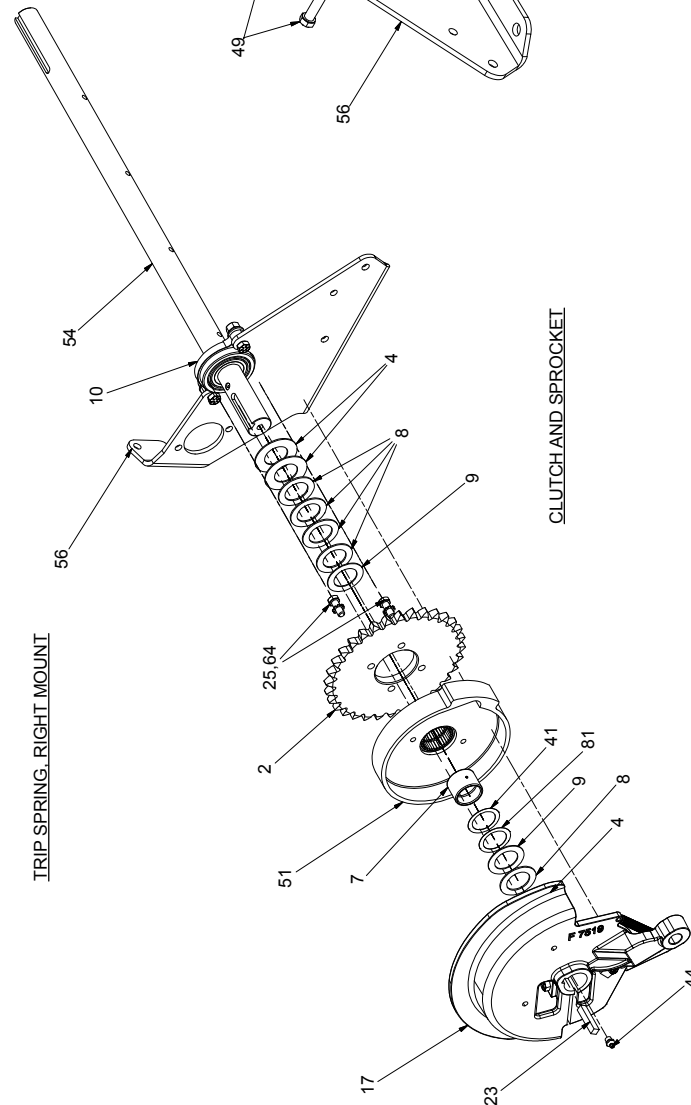
LEFT SIDE TWINE SHAFT



LEFT SIDE KNOTTER SHAFT BEARING



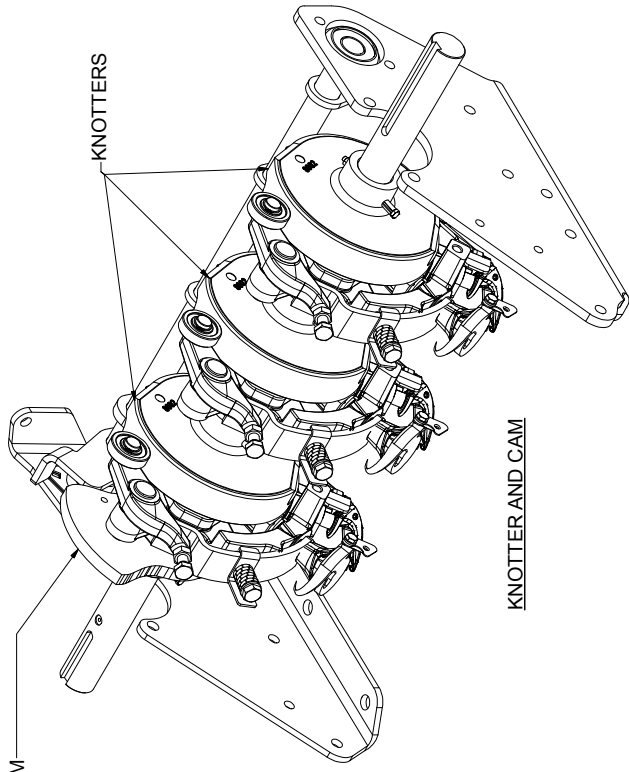
TRIP SPRING, RIGHT MOUNT



CLUTCH AND SPROCKET

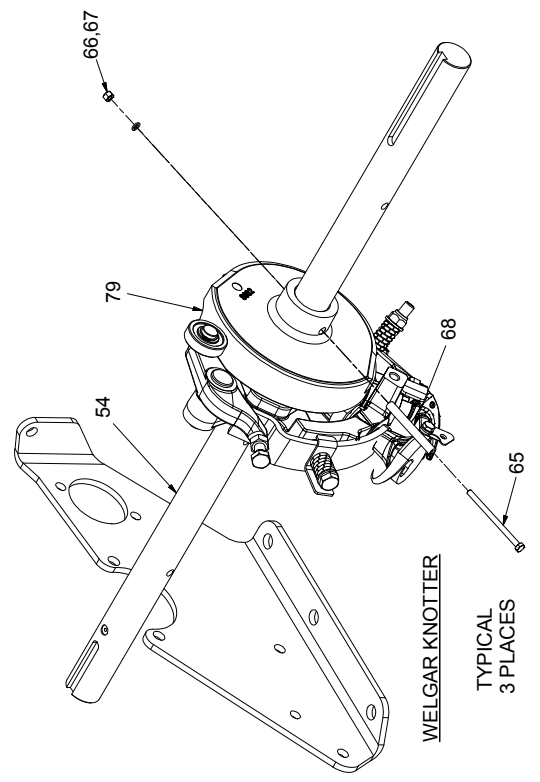
# KNOTTER ASSEMBLY (375)

(3 OF 3)



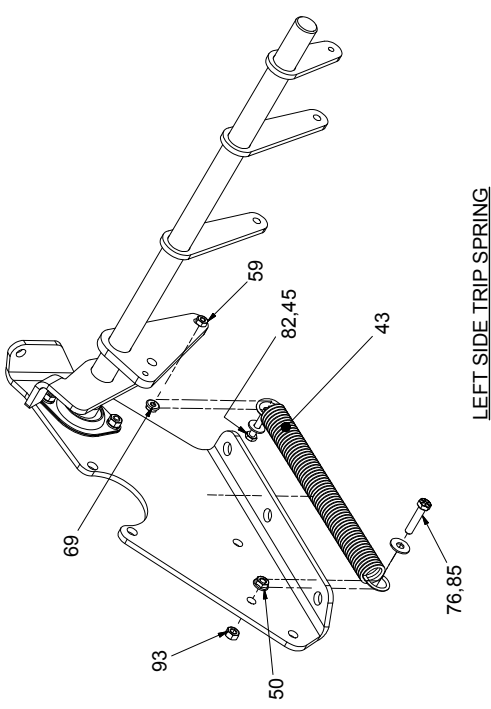
TWINE FINGER CAM

KNOTTER AND CAM

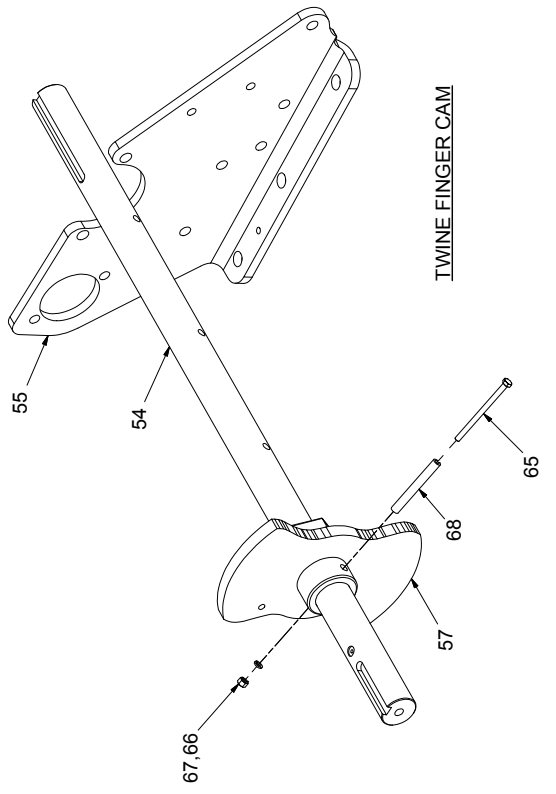


WELGAR KNOTTER

TYPICAL 3 PLACES



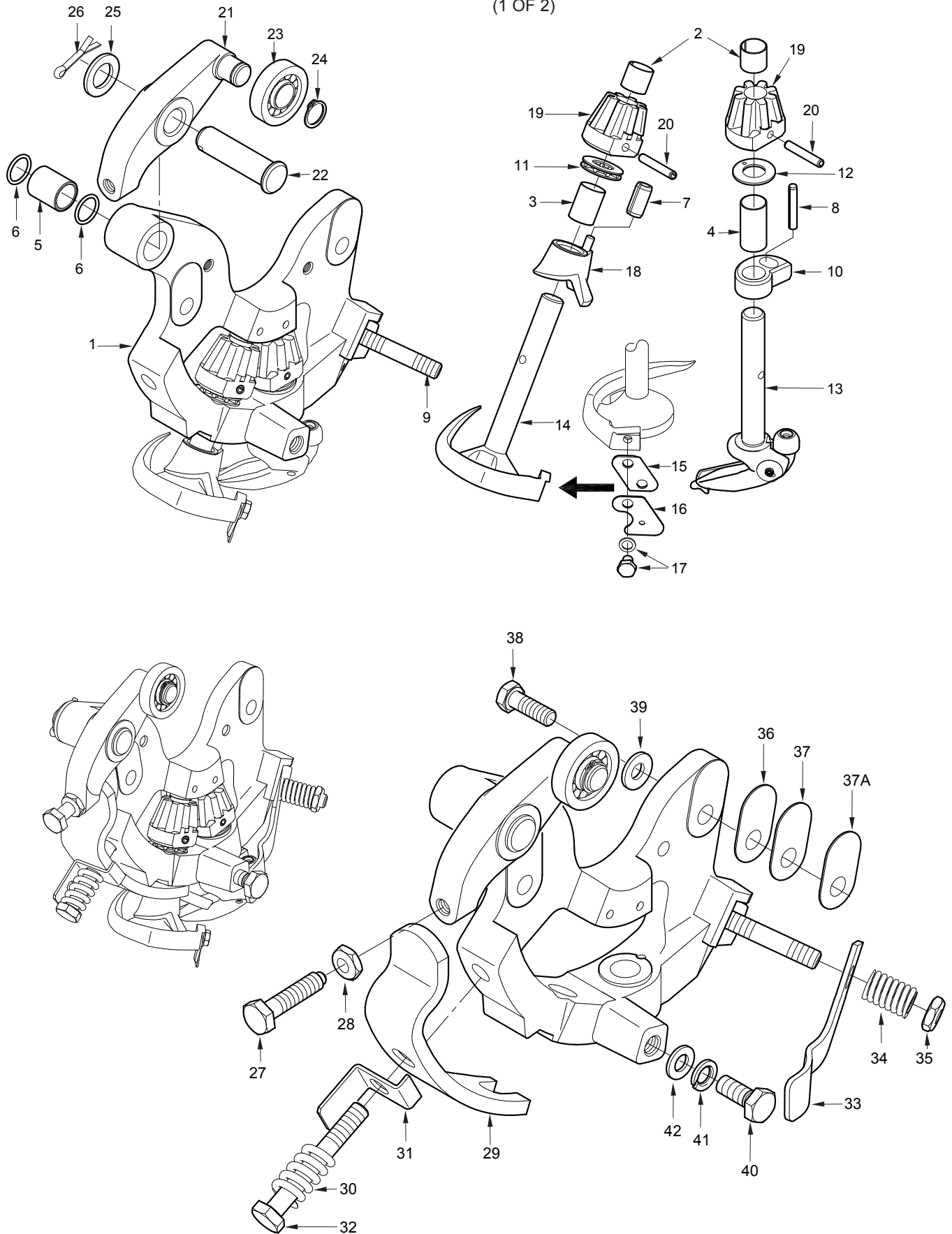
LEFT SIDE TRIP SPRING



TWINE FINGER CAM

**KNOTTER (375)**

(1 OF 2)



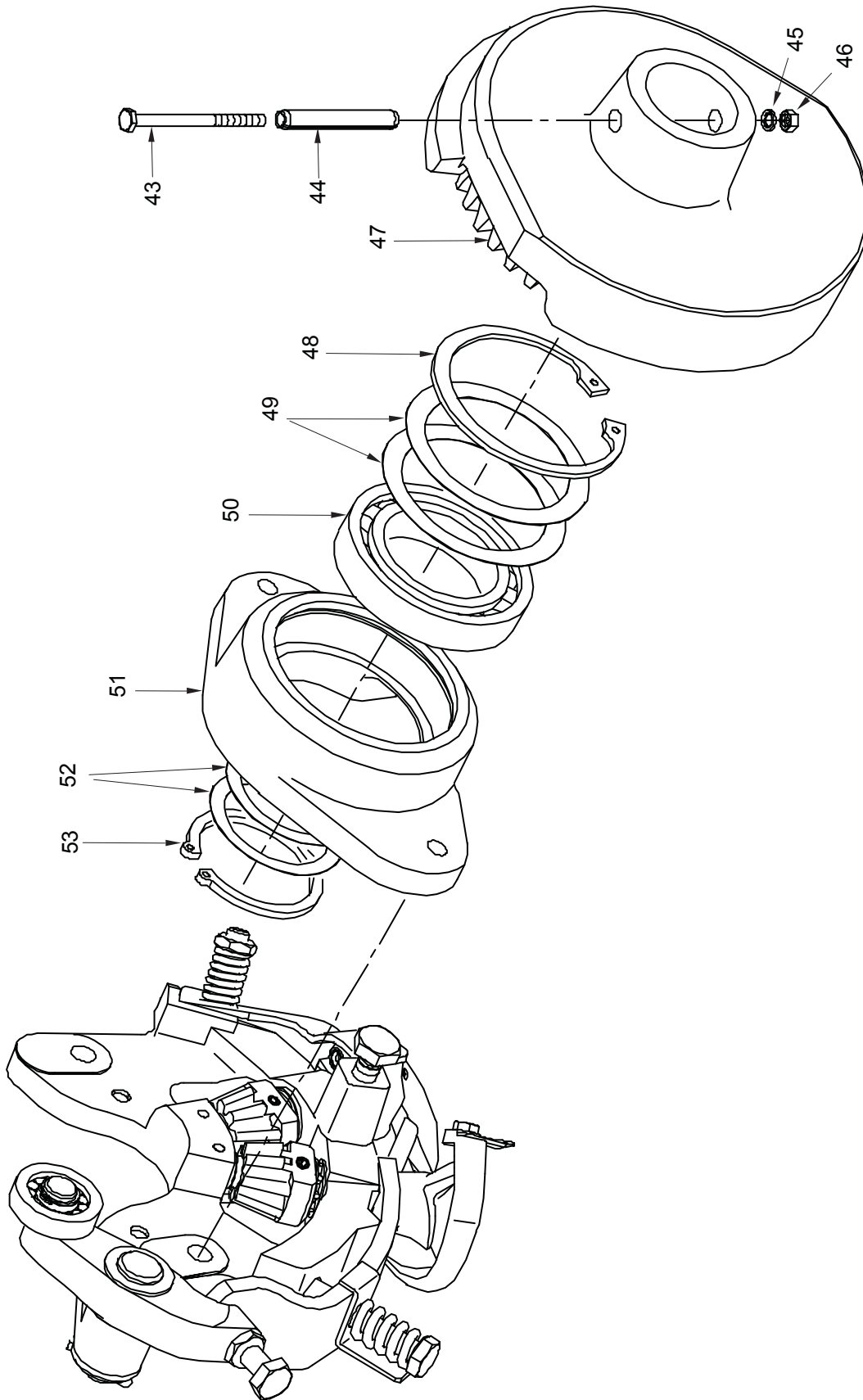


## KNOTTER (375)

REF NO.	PART NO.	DESCRIPTION	QTY. USED	REF NO.	PART NO.	DESCRIPTION	QTY. USED
	<b>WLG0001000</b>	<b>KNOTTER COMPLETE</b>		<b>27</b>	WLG0001052	. BALE FORM TWN HLDR CLAMP BOLT	1
1	WLG0001010	. KNOTTER FRAME, INCLUDES 2-10	1	<b>28</b>	WLG0001053	. LOCK NUT FOR WLG0001052	1
2	WLG0001011	. BUSHING, FRAME UPPER	2	<b>29</b>	WLG0001056	. CLAMP, TWINE HOLDER	1
3	WLG0001012	. BUSHING, TWINE HOLDER	1	<b>30</b>	WLG0001057	. TYING PRESSURE SPRING	1
4	WLG0001013	. BUSHING, BILLHOOK	1	<b>31</b>	WLG0001058	. TYING BOLT ADJUSTMENT BRACKET	1
5	WLG0001014	. BUSHING, TENSION LEVER	1	<b>32</b>	WLG0001059	. TYING PRESSURE BOLT	1
6	WLG0001015	. O-RING SEAL FOR WLG0001014	2	<b>33</b>	WLG0001019	. TRIGGER PRESSURE PLATE	1
7	WLG0001016	. ROLL PIN, TWINE CLAMP	1	<b>34</b>	WLG0001020	. TRIGGER PRESSURE SPRING	1
8	WLG0001017	. BILL HOOK TRIGGER CAM ROLL PIN	1	<b>35</b>	WLG0001021	. TRIGGER PRESSURE SPRING NUT	1
9	WLG0001018	. BILL HOOK TRIGGER PRES SPG BOLT	1	<b>36</b>	WLG0001027	. KNOTTER FRAME SHIM 0.3 MM	1
10	WLG0001022	. BILL HOOK TRIGGER CAM	1	<b>37</b>	255311	. KNOTTER FRAME SHIM 0.5 MM	1
11	WLG0001023	. TWINE HOLDER THRUST BEARING	1		255312	. KNOTTER FRAME SHIM 0.2 MM	1
12	WLG0001024	. BILL HOOK THRUST WASHER	1	<b>38</b>	WLG0001025	. KNOT FRAME BOLT 10 X 30 MM	1
13	902755	. BILL HOOK (COMPLETE)	1	<b>39</b>	WLG0001026	. DISC SPRING 12 MM	1
14	WLG0001038	. TWINE HOLDER WITH KNIFE	1	<b>40</b>	SCCM010025	. KNOT FRAME MOUNTING BOLT	1
	255309	. TWINE HOLDER ONLY	1	<b>41</b>	Y01E-M10	. LOCKWASHER	1
15	WLG0001039	. TWINE HOLDER KNIFE	1	<b>42</b>	R1938872	. WASHER	1
16	WLG0001040	. TWINE HOLDER KNIFE COVER	1	<b>43</b>	WLG0001064	. BOLT	1
17	902962	. TWINE HOLDER KNIFE FASTENERS	1	<b>44</b>	WLG0001063	. PIN, EXPANDING	1
	AC307924	. WASHER	1	<b>45</b>	WLG0001062	. LOCKWASHER	1
	WLG0001041	. BOLT	1	<b>46</b>	R13811421	. NUT	1
18	WLG0001042	. TWINE HOLDER CLAMP	1	<b>47</b>	WLG0001001	. MAIN CAM GEAR (W/BRG FLANGE)	1
19	WLG0001034	. PINION	2		WLG0001002	. MAIN CAM GEAR	1
20	254811	. ROLL PIN, PINION	2	<b>48</b>	WLG0001006	. BEARING REAR SNAP RING	1
21	WLG0001046	. LEAF SPRG TENSION LEV (COMPL)	1	<b>49</b>	255315	. BEARING REAR SHIM 0.1 MM	AR
	WLG0001047	. TENSION LEVER (WITH PIN ONLY)	1		255316	. BEARING REAR SHIM 0.2 MM	AR
	WLG0001048	. TENSION LEVER	1	<b>50</b>	WLG0001005	. BEARING	1
22	WLG0001049	. TENSION LEVER PIN	1	<b>51</b>	WLG0001004	. BEARING FLANGE	1
23	WLG0001050	. TENSION LEVER ROLLER	1	<b>52</b>	WLG0001008	. BEARING SHIM 0.2 MM	AR
24	WLG0001051	. SNAP RING	1		WLG0001009	. BEARING SHIM 0.3 MM	AR
25	WLG0001054	. WASHER	1		255314	. BEARING SHIM 1.0 MM	AR
26	WLG0001055	. COTTER PIN	1		255313	. BEARING SHIM 0.1 MM	AR
				<b>53</b>	WLG0001006	. BEARING SNAP RING	1

AR - AS REQUIRED

**KNOTTER (375)**  
(2 OF 2)

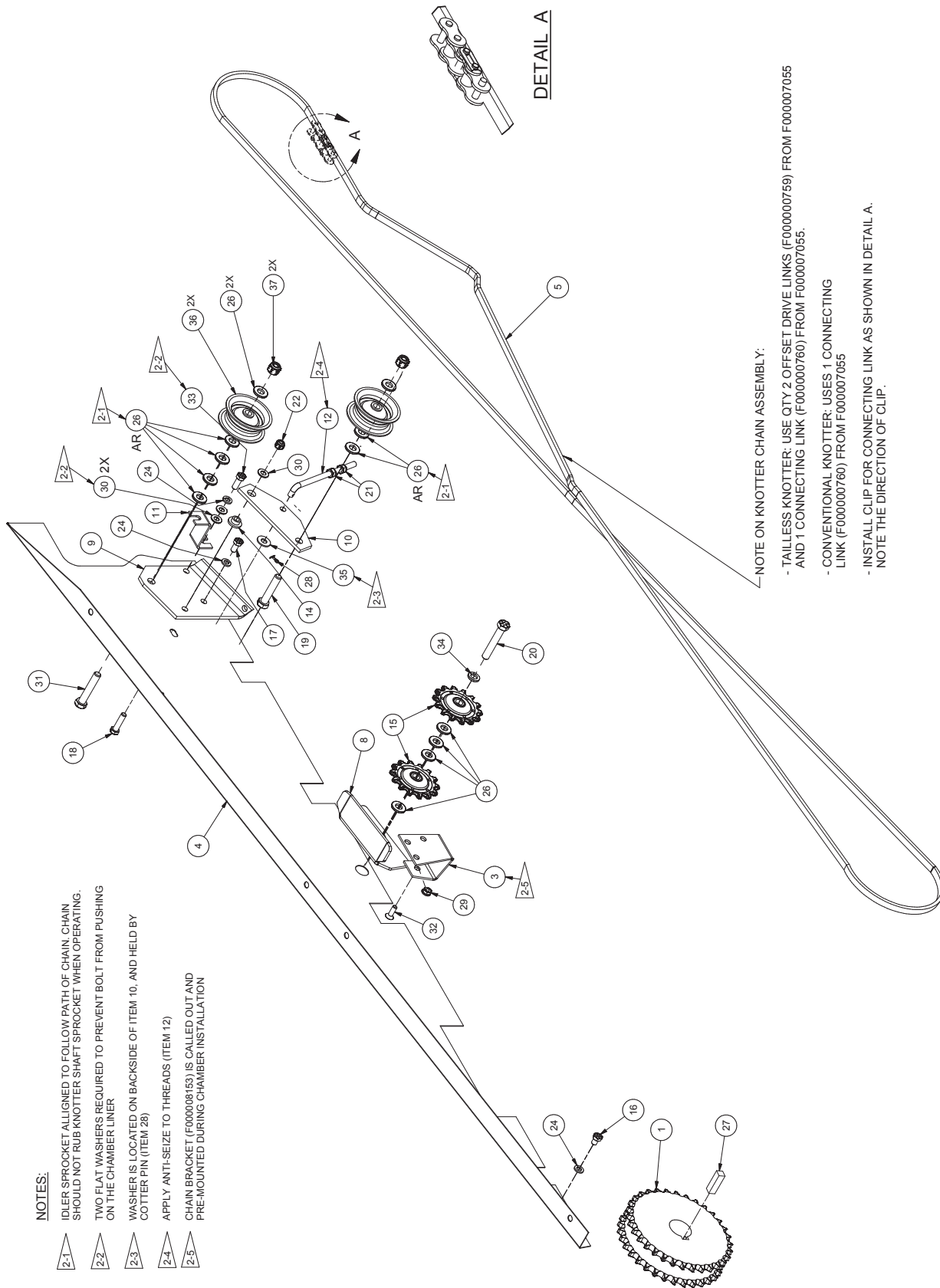


INTENTIONALLY LEFT BLANK

INTENTIONALLY LEFT BLANK

INTENTIONALLY LEFT BLANK

# KNOTTER DRIVE INSTALLATION



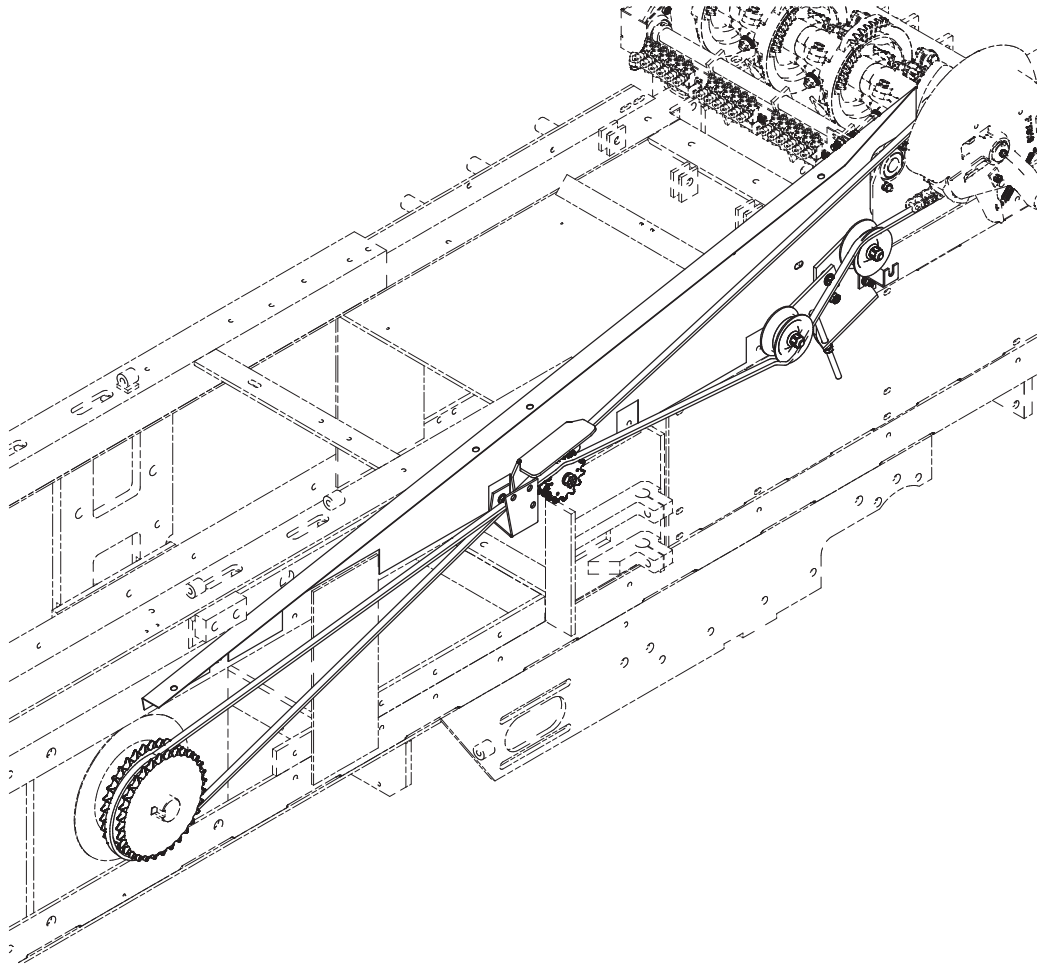
**NOTES:**

- ▲ 2-1 IDLER SPROCKET ALIGNED TO FOLLOW PATH OF CHAIN. CHAIN SHOULD NOT RUB KNOTTER SHAFT SPROCKET WHEN OPERATING.
- ▲ 2-2 TWO FLAT WASHERS REQUIRED TO PREVENT BOLT FROM PUSHING ON THE CHAMBER LINER
- ▲ 2-3 WASHER IS LOCATED ON BACKSIDE OF ITEM 10, AND HELD BY COTTER PIN (ITEM 28)
- ▲ 2-4 APPLY ANTI-SEIZE TO THREADS (ITEM 12)
- ▲ 2-5 CHAIN BRACKET (F00008153) IS CALLED OUT AND PRE-MOUNTED DURING CHAMBER INSTALLATION

NOTE ON KNOTTER CHAIN ASSEMBLY:

- TAILLESS KNOTTER: USE QTY 2 OFFSET DRIVE LINKS (F00000759) FROM F000007055 AND 1 CONNECTING LINK (F00000760) FROM F000007055.
- CONVENTIONAL KNOTTER: USES 1 CONNECTING LINK (F00000760) FROM F000007055
- INSTALL CLIP FOR CONNECTING LINK AS SHOWN IN DETAIL A. NOTE THE DIRECTION OF CLIP.

# KNOTTER DRIVE INSTALLATION

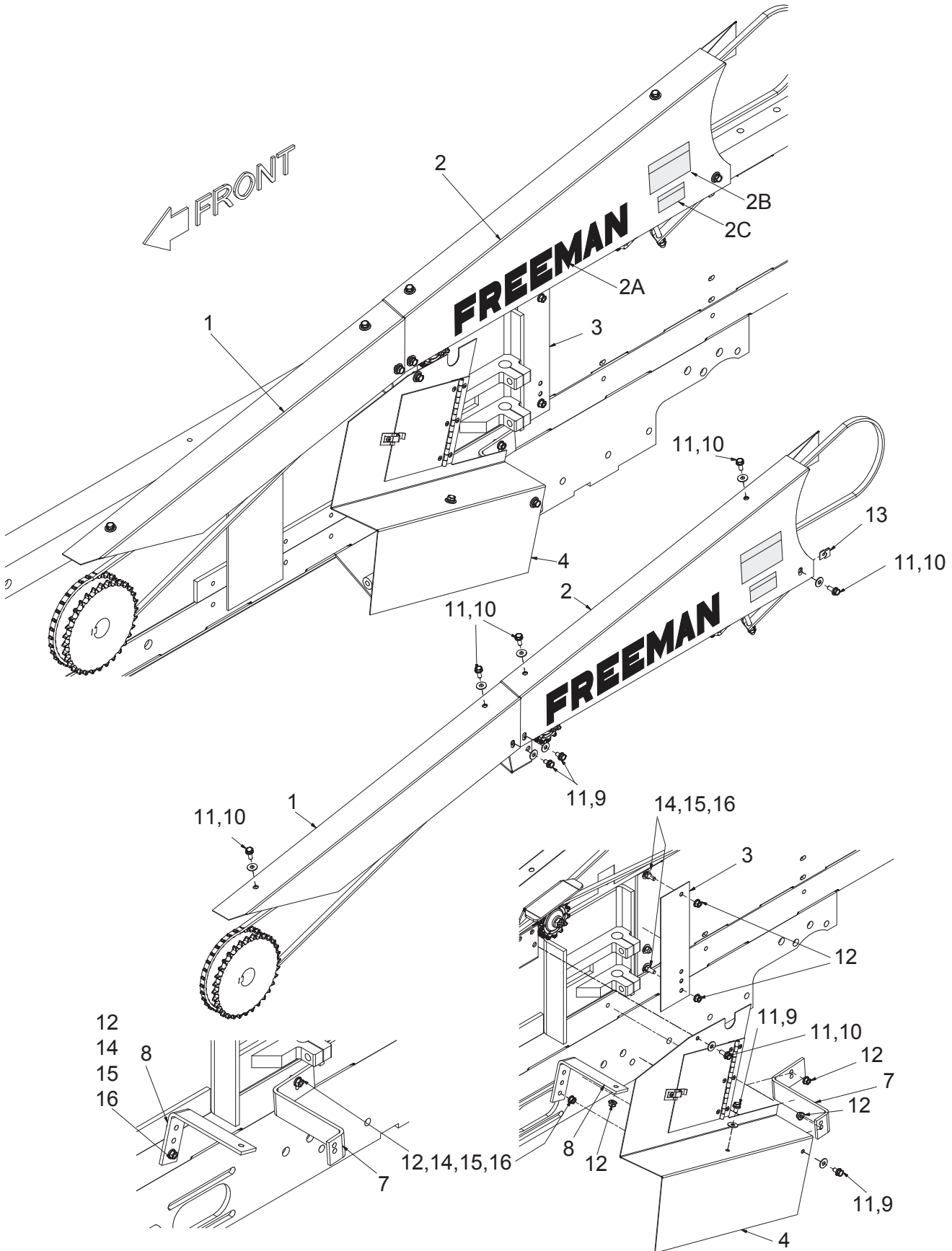


Item	Part No.	Qty	Description	Item	Part No.	Qty	Description
	<b>902105</b>		<b>Knotter Drive Installation</b>				
1	253836	1	. Sprocket	23	223587	2	. Nut, Esna
3	-----	Ref	. Chain Shield Center Bracket	24	R13812514	3	. Lockwasher
4	F000008377	1	. Inner Knotter Drive Chain Shield	26	221771W	11	. Hard Washer
5	F000007055	1	. Chain, Knotter Drive	27	ZZ00000459	1	. Key
8	F000008112	1	. Plate, Hold Down	28	00103384	1	. Cotter Pin
9	F000008086	1	. Bracket	29	00273802	1	. Nut, Serrated
10	F000008083	1	. Bracket, Chain Tightener	30	221767W	3	. Washer, Flat
11	F000008154	1	. Chain Shield Rear Bracket	31	R13811080	1	. Capscrew
12	F000008084	1	. Rod, Chain Tightener	32	Y09G-0516	1	. Capscrew
14	F000000440	1	. Ferrule	33	Y17C-0616	1	. Capscrew
15	F000007397	2	. Sprocket	34	234665	1	. Lockwasher
16	R13811031	1	. Capscrew	35	15176W	1	. Washer
17	162572W	1	. Capscrew	36	F000000883	2	. Pulley, Idler
18	Y17C-0624	1	. Capscrew				
19	221576W	1	. Capscrew				
20	R13801850	1	. Capscrew				
21	221707W	2	. Hex Nut				
22	237567	1	. Nut, Esna				

Ref Reference Only, See chamber installation.

Rev Q

# KNOTTER DRIVE SHIELDS



MOUNTING BRACKETS FOR PICKUP SHIELD

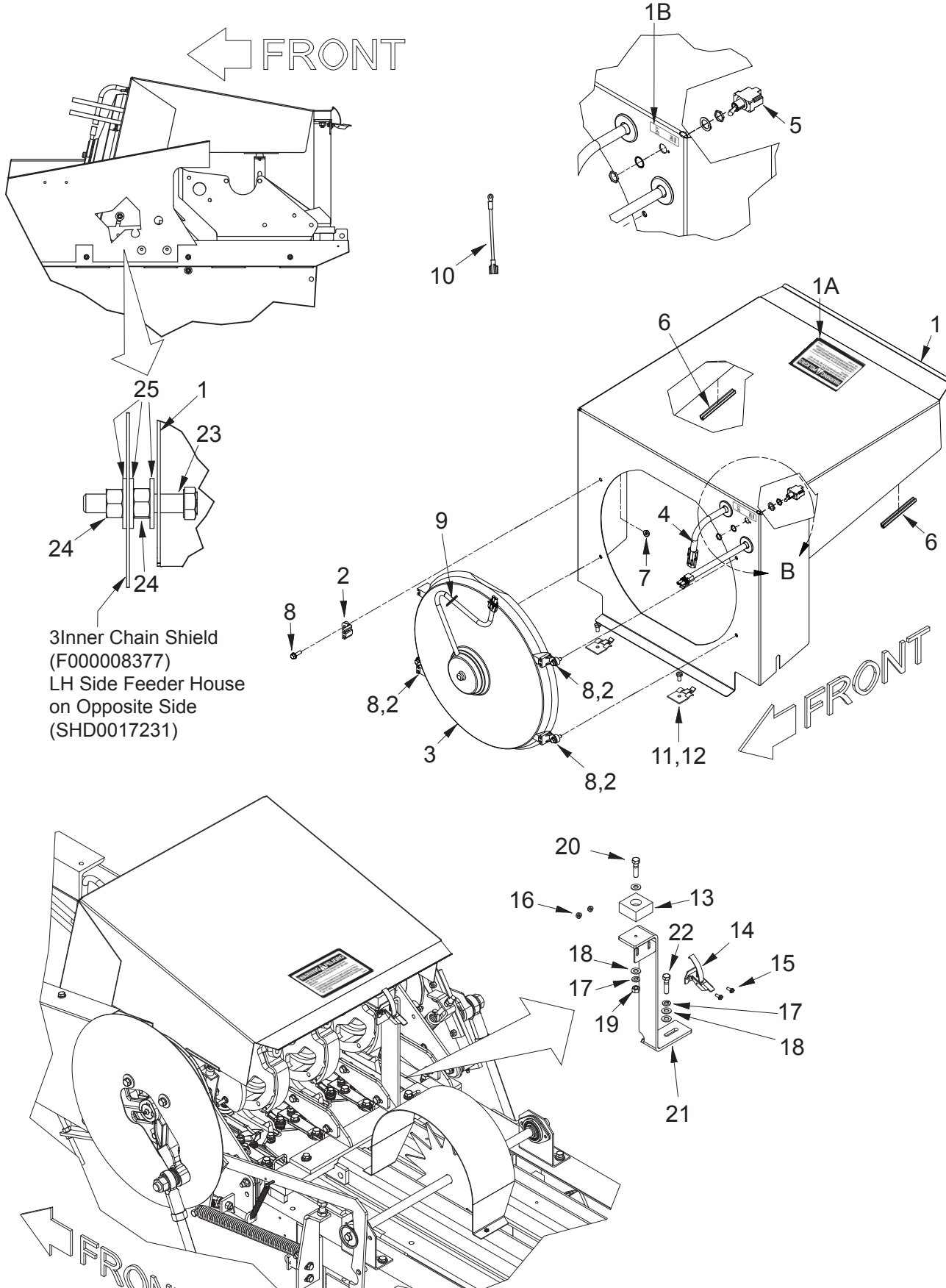
PICKUP DRIVE SHIELDS



## KNOTTER DRIVE SHIELDS

REF PART NO. NO.	DESCRIPTION	QTY. USED
1	F000008152 PLATE,SHIELD	1
2	903181 PLATE,SHIELD	1
2A	FD00007112 . FREEMAN DECAL, RED	1
2B	FD00023581 . "CAUTION! SHUT OFF MOTOR...."	1
2C	FD00023572 . "SHIELDS ARE F/YOUR PROTECT..."	1
3	COV0008038 PLATE,COVER	1
4	SHD0008040 SHIELD ASSEMBLY	1
7	BKT0008024 BRACKET,REAR	1
8	BKT0008037 BRACKET,FNT	1
9	SMS0000198 WHIZ BOLT	4
10	SMS0000184 BOLT, WHIZ	6
11	223428 FLAT WASHER	10
12	00273802 NUT, SERRATED	6
13	NCC0003125 CAGE NUT NC	7
14	R13811512 NUT, HEX	4
15	R13812513 WASHER, LOCK	4
16	Y09G-0524 CAPSCREW	4

**KNOTTER FAN ASSEMBLY**

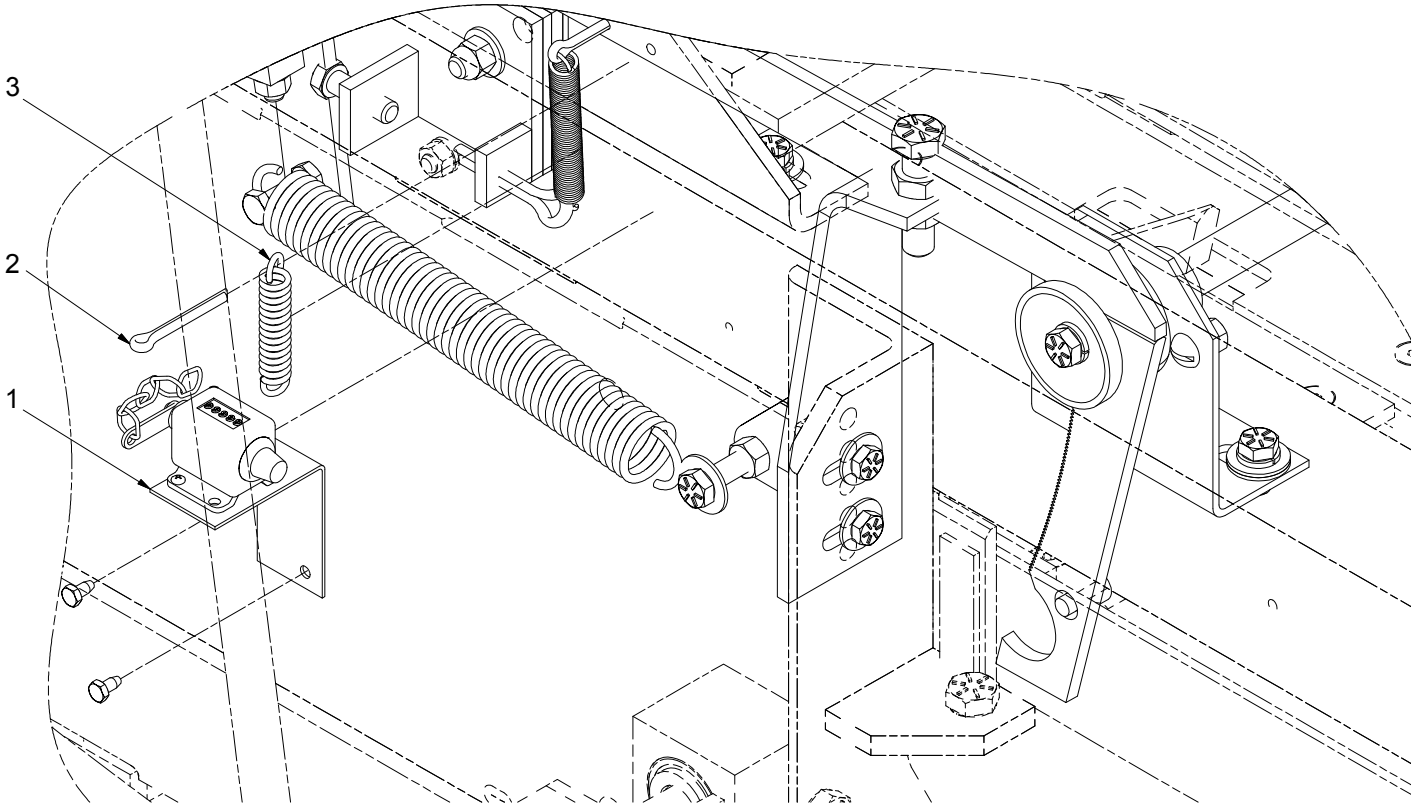


3 Inner Chain Shield  
(F000008377)  
LH Side Feeder House  
on Opposite Side  
(SHD0017231)

## KNOTTER FAN ASSEMBLY

REF NO.	PART NO.	DESCRIPTION	QTY. USED
	<b>903593</b>	<b>FAN ASSY, KNOTTER; 3-TIE BALERS</b>	
1	903277	. PLATE, SHROUD W/DECAL	1
1A	FD00023583	. . DECAL, WARNING	1
1B	576690	. . DECAL, ON OFF	1
2	MNT0050025	. KNOTTER FAN SHROUD MOUNT	4
3	256678	. KNOTTER FAN	1
4	903592	. KNOTTER FAN HARNESS	1
5	229289	. SWITCH, TOGGLE	1
6	MLD7500317	. MOLDING	2
7	235620	. NUT	4
8	SMS0000305	. BOLT, WHIZ	4
9	CBT0000148	. CABLE TIE	1
10	900024	WIRE HARNESS;*A; GROUND WIRE	1
11	F000006108	CATCH; A-1 (INSPECT COVER)	2
12	233962	CAPSCREW	2
13	PAD0018804	TENSION RAIL SUPPORT PAD	1
14	CLP0000130	FASTENER, HOOK-TYPE	1
15	234991	CAPSCREW	2
16	220044	NUT	2
17	234135	WASHER	2
18	223427	WASHER	5
19	221707W	NUT	3
20	221499W	CAPSCREW	1
21	SUP0024161	SUPPORT, KNOTTER FAN	1
22	R13811039	CAPSCREW	1
23	Y01C-0532	CAPSCREW	1
24	221705W	NUT	2
25	R13811445	WASHER	3

**BALE COUNTER INSTALLATION**

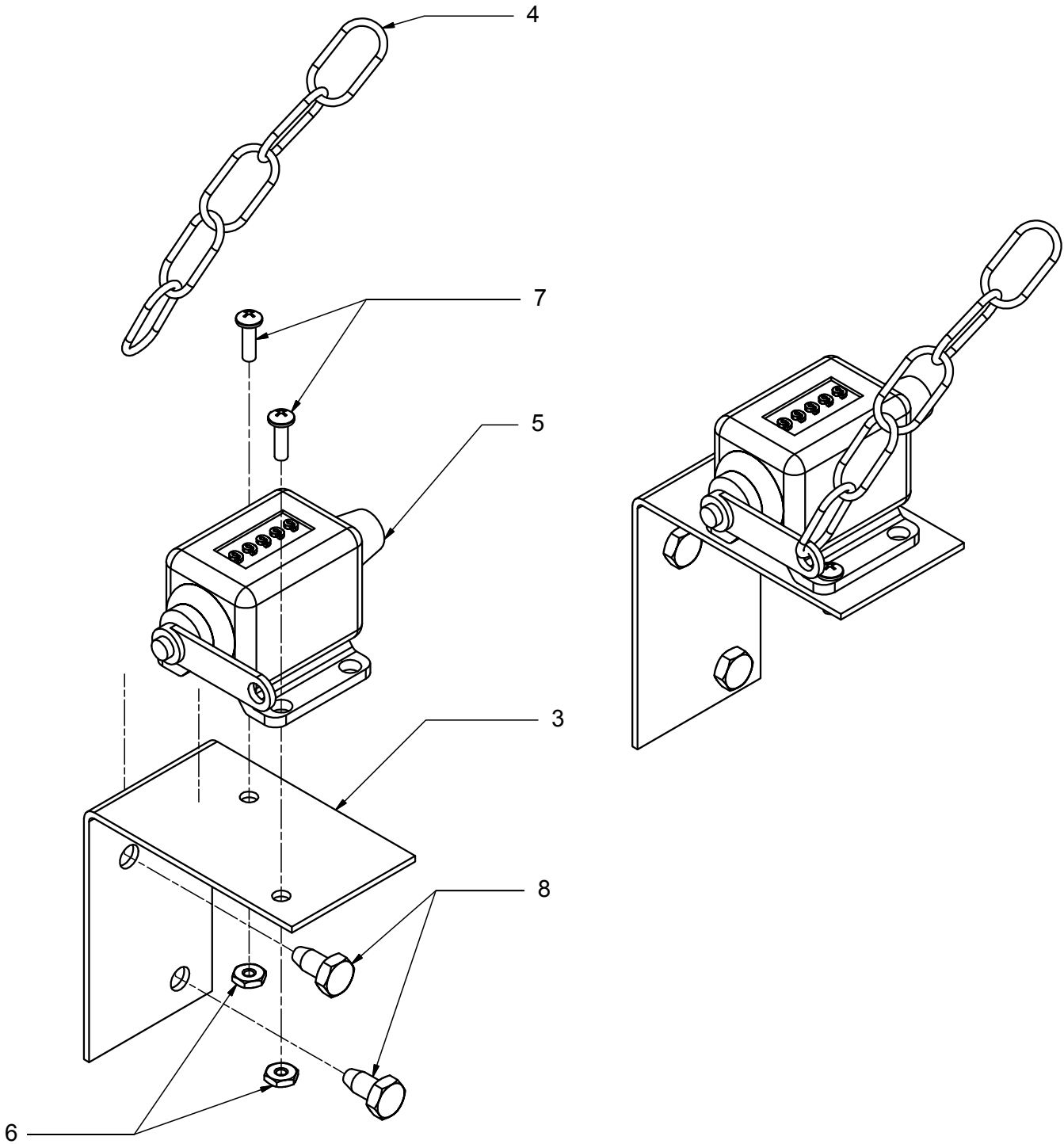


---

**BALE COUNTER INSTALLATION**

REF NO.	PART NO.	DESCRIPTION	QTY. USED
1	902793	BALE COUNTER SUBASSEMBLY	1
2	00103409	COTTER PIN	1
3	F000000638	BALE COUNTER SPRING	1

**BALE COUNTER**



---

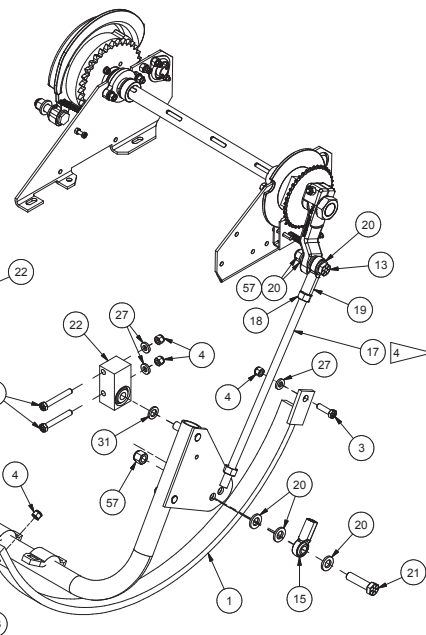
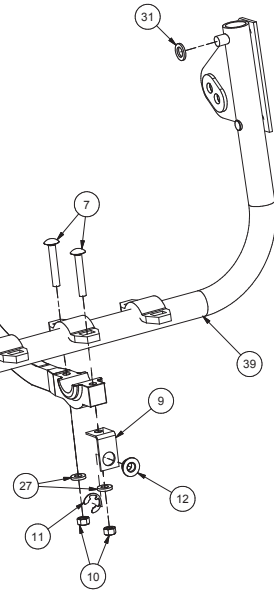
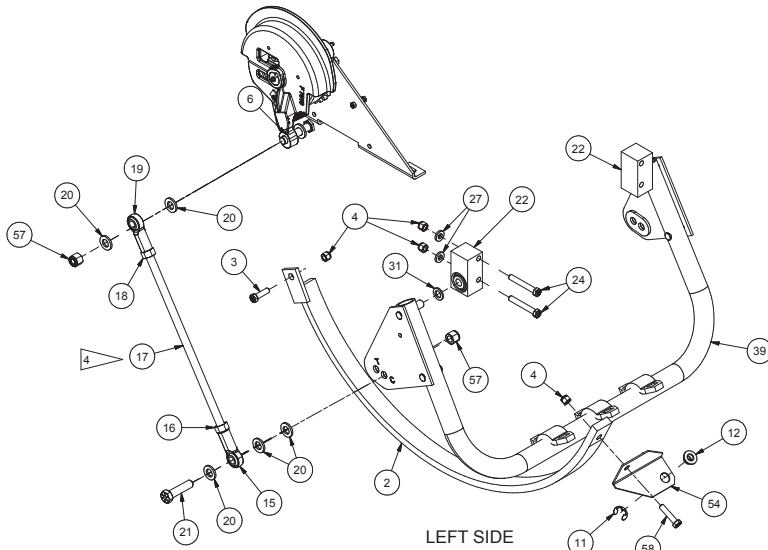
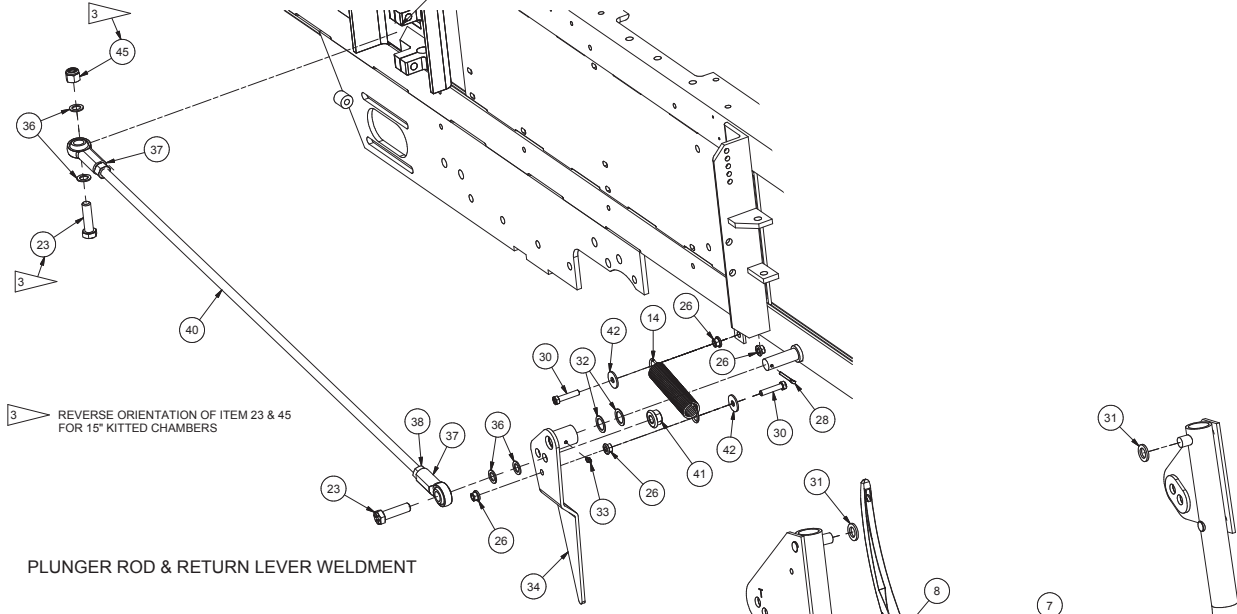
**BALE COUNTER**

REF NO.	PART NO.	DESCRIPTION	QTY. USED
	<b>902793</b>	<b>BALE COUNTER ASSEMBLY</b>	
3	F000007391	. BRACKET	1
4	F000000637	. BALE COUNTER CHAIN	1
5	256353	. COUNTER, RESETTABLE	1
6	NCH0000440	. NUT	2
7	SMR4403750	. SCREW	2
8	SMS0000211	. SCREW	2

# NEEDLES AND YOKE INSTALLATION (370)

(1 OF 2)

REFERENCE BULL GEAR/PLUNGER INSTALLATION FOR STOP DOG TO FASTENER INSTALLATION.



USE MOUNTING HOLE "T" FOR TAILLESS KNOTTERS (375)

USE MOUNTING HOLE "C" FOR CONVENTIONAL KNOTTERS (370)



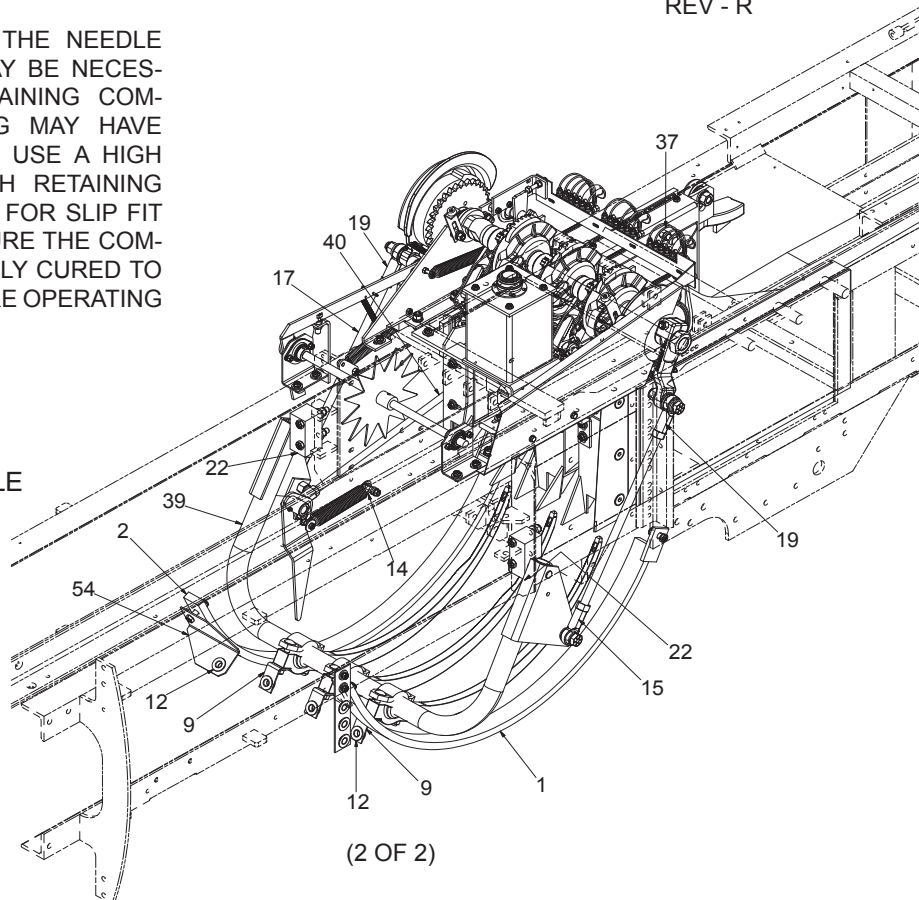
## NEEDLES AND YOKE INSTALLATION (370)

REF NO.	PART NO.	DESCRIPTION	QTY. USED	REF NO.	PART NO.	DESCRIPTION	QTY. USED
	<b>901123</b>	<b>NEEDLES AND YOKE INSTALLATION</b>		23	Y17C-1036	. CAPSCREW	2
1	F000007568	. NEEDLE GUARD WELDMENT, RH	1	24	R13811083	. CAPSCREW	4
2	F000007569	. NEEDLE GUARD WELDMENT, LH	1	26	09411507	. NUT, SERRATED	4
3	221569W	. CAPSCREW	1	27	234265	. HARD WASHER	12
4	223587	. NUT, ESNA	8	28	00103409	. COTTER PIN	1
6	SFC036488A	. CAPSCREW	1	30	R13801813	. CAPSCREW	2
7	CRB5003250	. BOLT, CARR	6	31	226272	. MACH BUSHING	2
8	F000001611	. TWINE NEEDLE	3	32	ZZ00000208	. MACH BUSHING	2
9	F000007973	. PLATE, HOLDER	3	33	11079	. FITTING, LUBE	1
10	221711W	. HEX NUT	6	34	LEV0015639	. LEVER WELDMENT	1
11	F000000857	. RING, SNAP	4	36	ZZ00000211	. MACH BUSHING	4
12	F000000856	. BUSHING	4	37	ROD00000001	. ROD END	2
13	R13810974	. CAPSCREW	1	38	199594W	. HEX NUT	2
14	SPG0020662	. SPRING, EXT	1	39	903207	. NEEDLE YOKE	1
15	F000001549	. ROD END, RH	2	40	ROD035984B	. ROD	1
16	221717W	. HEX NUT	2	41	00273801	. NUT, SERRATED	1
17	F000007554	. ROD, NEEDLE YOKE	2	42	223427	. FLAT WASHER	2
18	NFL0007500	. LEFT HAND HEX NUT	2	45	237552	. NUT, ESNA	1
19	F000001550	. ROD END, LH	2	53	R13811077	. CAPSCREW	1
20	R13811457	. FLAT WASHER	12	54	GUD0031463	. BRACKET, LH	1
21	232854	. CAPSCREW	2	57	234836	. NUT, ESNA	4
22	903702	. BEARING ASSEMBLY, YOKE	2	58	221574W	. CAPSCREW	1
*	256736	.. NEEDLE YOKE BEARING	1				

REV - R

\* WHEN REPLACING THE NEEDLE YOKE BEARINGS IT MAY BE NECESSARY TO USE A RETAINING COMPOUND. THE HOUSING MAY HAVE WORN. IN THIS CASE USE A HIGH TO MEDIUM STRENGTH RETAINING COMPOUND DESIGNED FOR SLIP FIT ASSEMBLIES. MAKE SURE THE COMPOUND HAS ADEQUATELY CURED TO FULL STRENGTH BEFORE OPERATING MACHINERY.

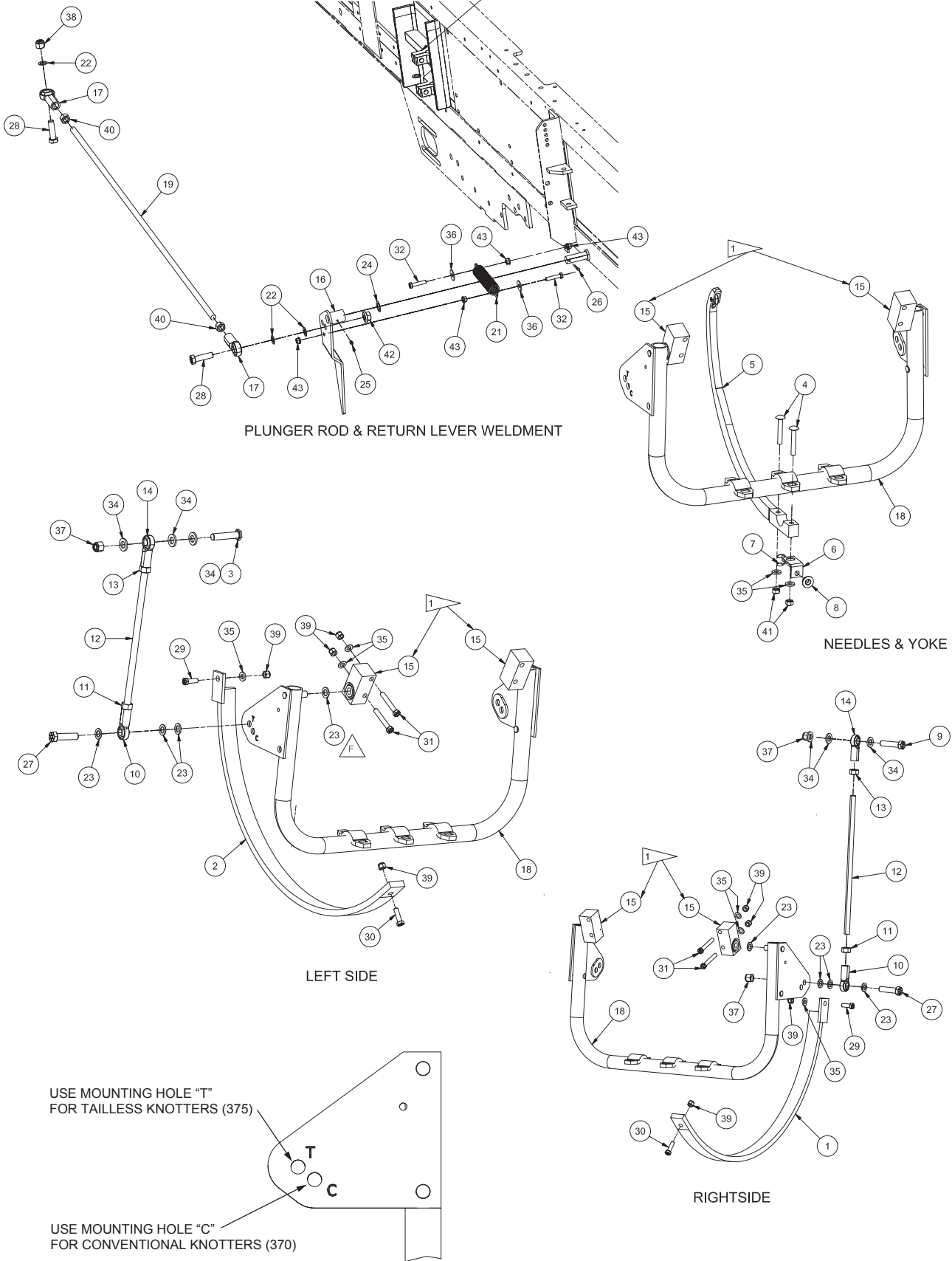
901123 REV 1/10 LE



**NEEDLES AND YOKE INSTALLATION (375)**

(1 OF 2)

REFERENCE BULLGEAR/ PLUNGER INSTALLATION FOR STOP DOG TO FASTENER INSTALLATION.

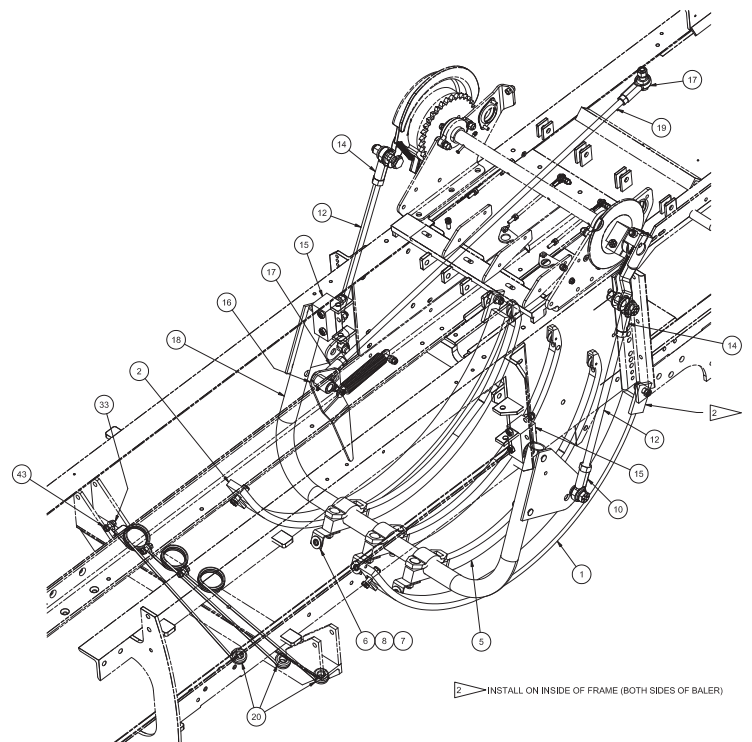
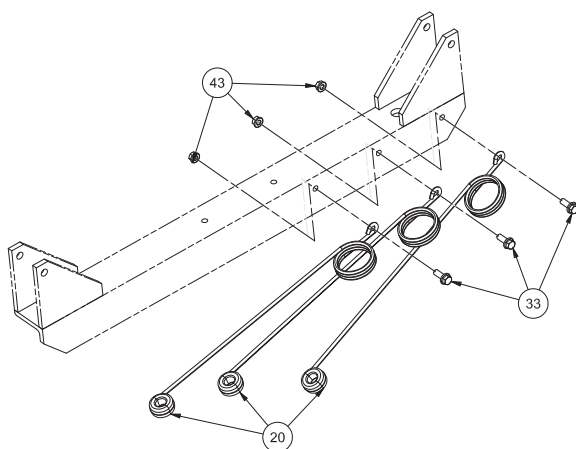


## NEEDLES AND YOKE INSTALLATION (375)

REF NO.	PART NO.	DESCRIPTION	QTY. USED	REF NO.	PART NO.	DESCRIPTION	QTY. USED
	<b>902914</b>	<b>NEEDLES AND YOKE INSTALLATION</b>		21	SPG0020662	. SPRING, EXT	1
1	F000007568	. NEEDLE GUARD WELDMENT, RH	1	22	ZZ00000211	. MACH BUSHING	4
2	F000007569	. NEEDLE GUARD WELDMENT, LH	1	23	226272	. MACH BUSHING	8
3	SFC036488A	. CAPSCREW	1	24	ZZ00000208	. MACH BUSHING	1
4	CRB5003250	. BOLT, CARR	6	25	11079	. FITTING, LUBE	1
5	902580	. NEEDLE ASSEMBLY	3	26	COT0000801	. COTTER PIN	1
	254784	. . PULLEY BEARING, SEALED	1	27	232854	. CAPSCREW	2
	Y09G-0414	. . CAPSCREW	1	28	Y17C-1036	. CAPSCREW	2
6	F000007973	. PLATE, HOLDER	3	29	234176	. CAPSCREW	2
7	F000000857	. RING, SNAP	3	30	221569W	. CAPSCREW	2
8	F000000856	. BUSHING	3	31	R13811083	. CAPSCREW	4
9	18024W	. CAPSCREW	1	32	R13801813	. CAPSCREW	2
10	F000001549	. ROD END, RH	2	33	398825W	. SCREW - FLANGE	3
11	221717W	. HEX NUT	2	34	R13811457	. FLAT WASHER	6
12	ROD0035670	. ROD	2	35	223634	. FLAT WASHER	10
13	NFL0007500	. LEFT HAND HEX NUT	2	36	234427	. HOSE ASSEMBLY	2
14	F000001550	. ROD END, LH	2	37	223615	. LOCKNUT	4
15	903702	. BEARING ASSEMBLY, YOKE	2	38	R13811195	. LOCKNUT	1
*	256736	.. BEARING	1	39	R13811193	. LOCKNUT	8
16	LEV0015639	. LEVER	1	40	199594W	. HEX NUT	2
17	ROD0000001	. ROD END	2	41	221711W	. HEX NUT	4
18	903207	. NEEDLE YOKE	1	42	00273801	. NUT, SERRATED	1
19	ROD035984B	. ROD	1	43	09411507	. NUT, SERRATED	7
20	WLG0000006	. KNOTTER TWINE PULLER SPRING	3				

REV - F

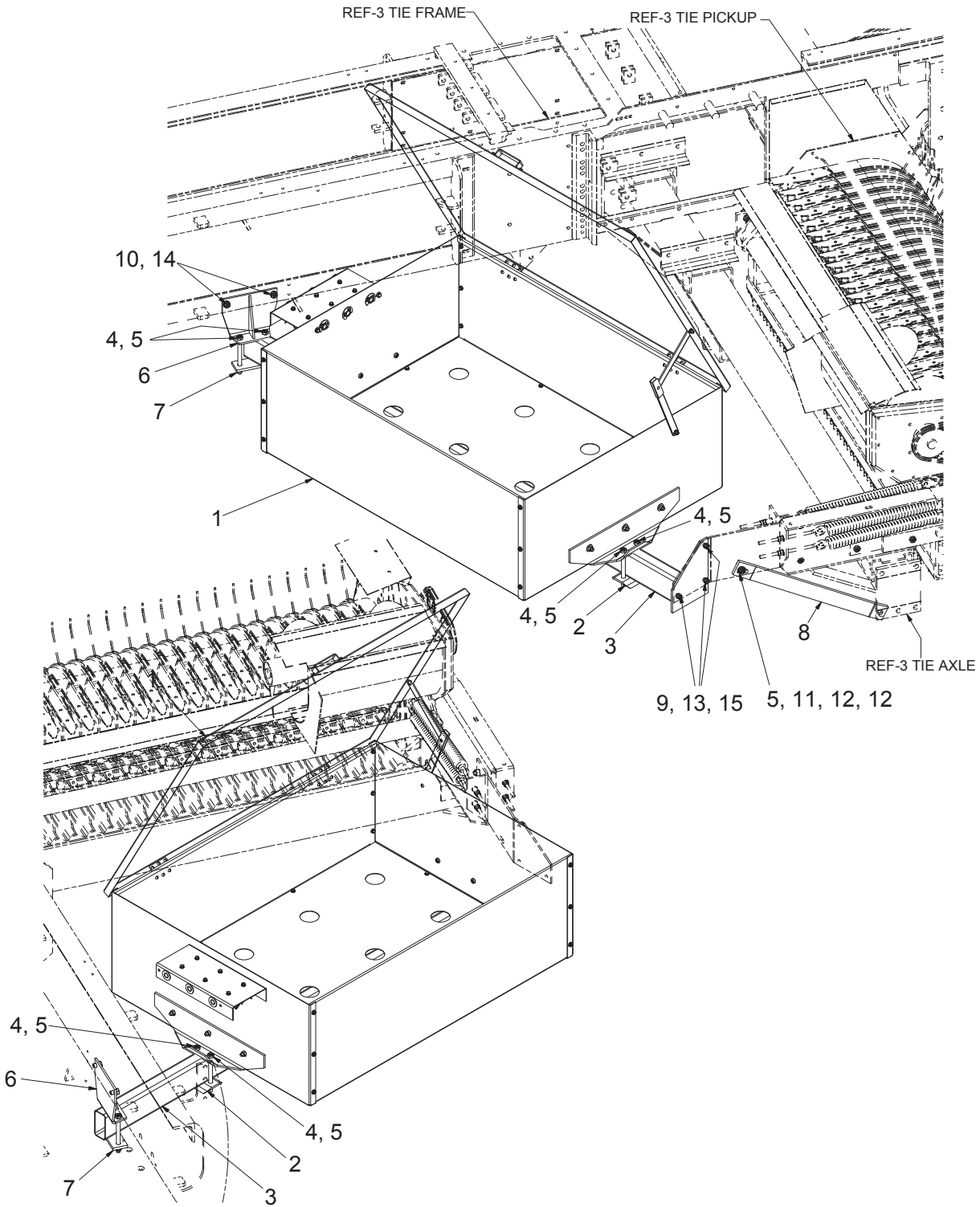
\* WHEN REPLACING THE NEEDLE YOKE BEARINGS IT MAY BE NECESSARY TO USE A RETAINING COMPOUND. THE HOUSING MAY HAVE WORN. IN THIS CASE USE A HIGH TO MEDIUM STRENGTH RETAINING COMPOUND DESIGNED FOR SLIP FIT ASSEMBLIES. MAKE SURE THE COMPOUND HAS ADEQUATELY CURED TO FULL STRENGTH BEFORE OPERATING MACHINERY.



(2 OF 2)

KNOTTER TWINE PULLER SPRING

**TWINE BOX INSTALLATION OPTIONAL**



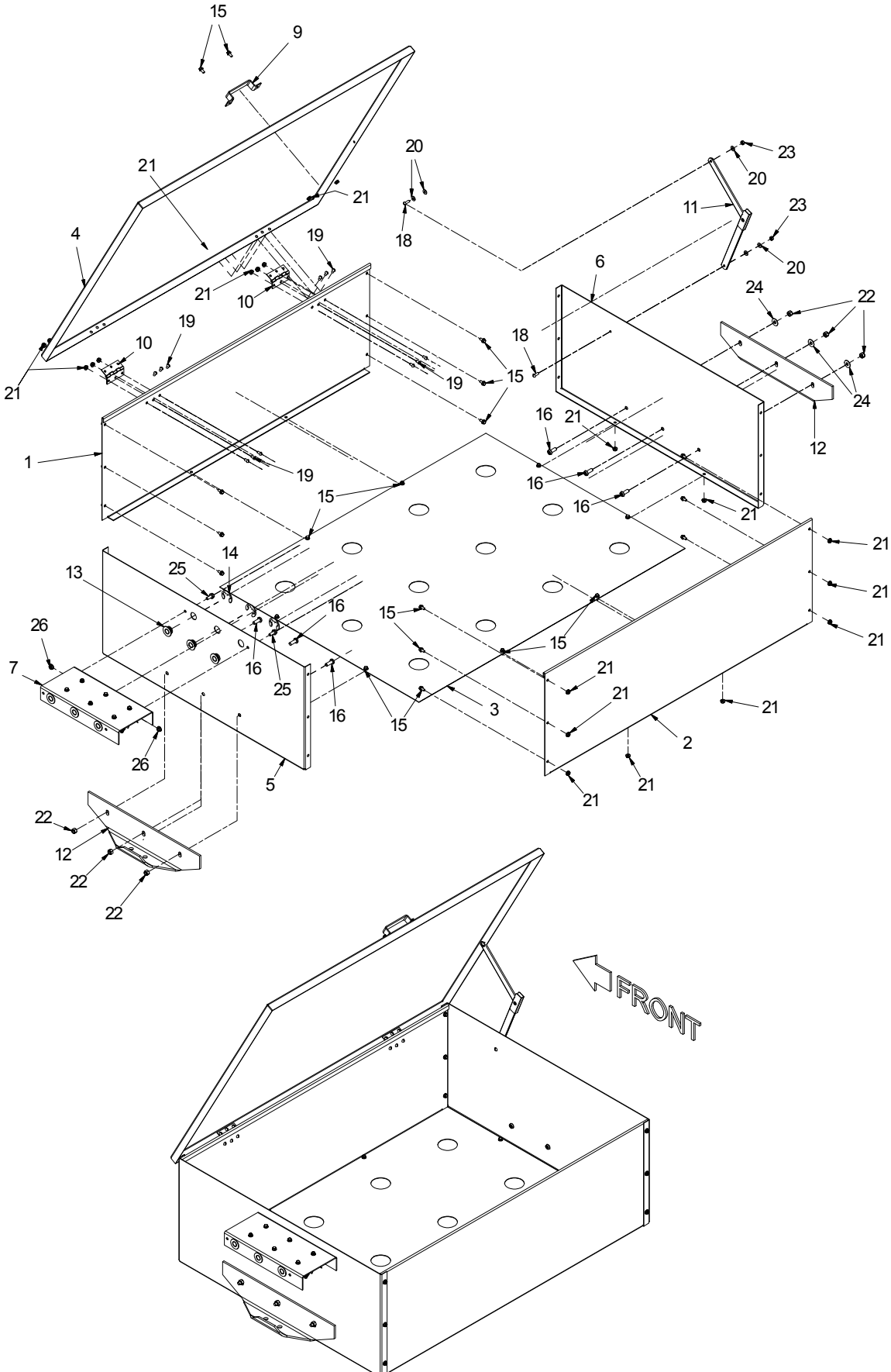
---

**TWINE BOX INSTALLATION OPTIONAL**

REF NO.	PART NO.	DESCRIPTION	QTY. USED
	<b>902166 TWINE BOX INSTALLATION</b>		
1 *	<b>902167</b>	. TWINE BOX SUBASSEMBLY	1
2	CLP0017241	. BRACKET	2
3	TBX0020849	. TUBE	1
4	R13801857	. CAPSCREW	6
5	223587	. NUT	7
6	F000007555	. BRACKET	1
7	F000007556	. BRACKET	1
8	F000007705	. BAR, RH BRACE	1
9	Y17C-0616	. CAPSCREW	3
10	R13801840	. CAPSCREW	2
11	221569W	. CAPSCREW	1
12	223634	. WASHER	2
13	234135	. LOCKWASHER	3
14	R13812516	. LOCKWASHER	2
15	221707W	. NUT	3

\* SEE PAGE 211

**TWINE BOX 12 COMPARTMENT OPTIONAL**

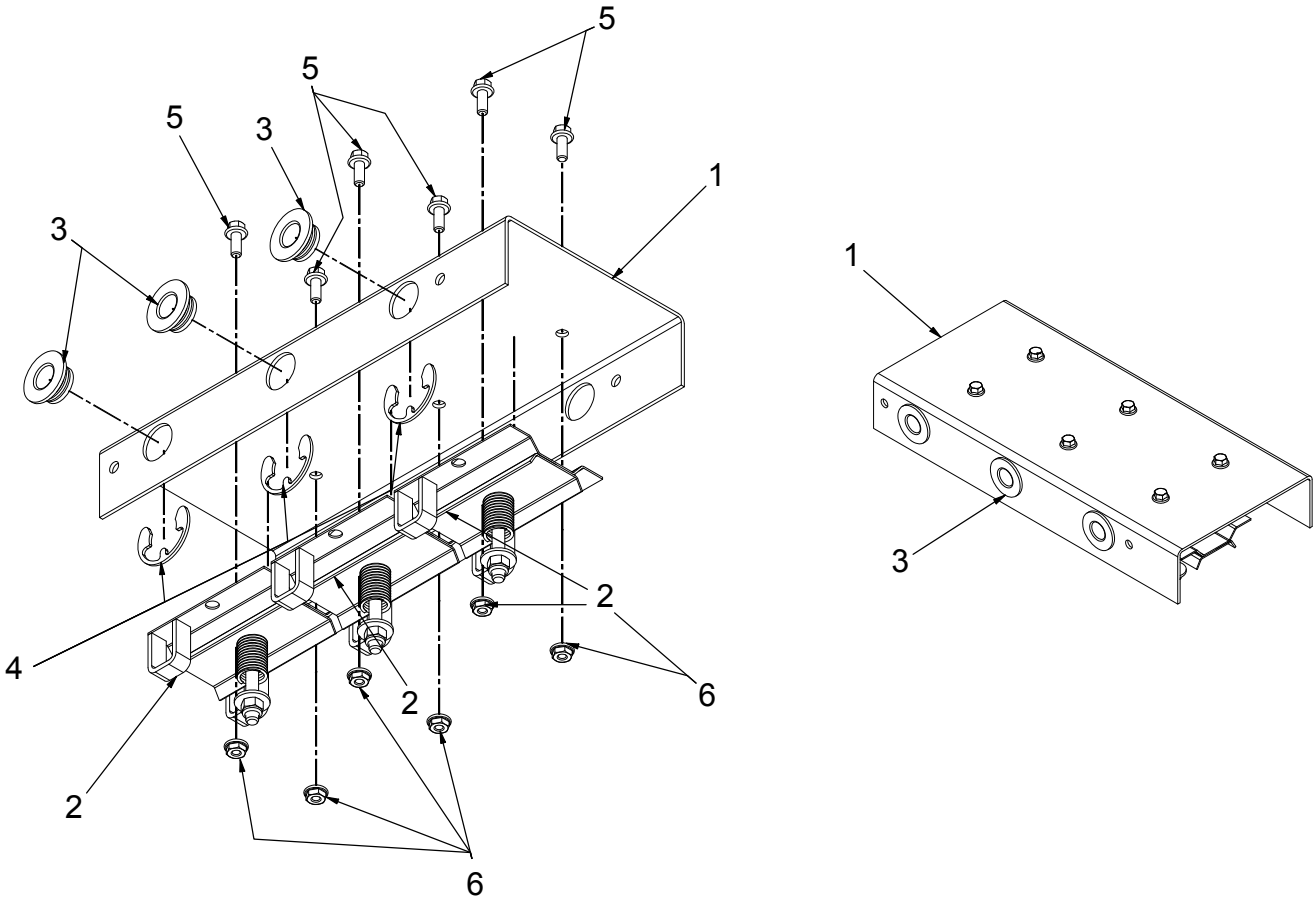


## TWINE BOX 12 COMPARTMENT OPTIONAL

REF NO.	PART NO.	DESCRIPTION	QTY. USED
<b>902167 TWINE BOX SUBASSEMBLY</b>			
1	BOX0017256	. PLATE, BX SIDE	1
2	BOX0017257	. PLATE, BX FNT	1
3	BOX0018358	. PLATE, BX BTM	1
4	BOX0018359	. PLATE, BOX LID	1
5	BOX0017244	. PLATE, BX END	1
6	BOX0017245	. PLATE, BX END	1
7 *	902891	. FRAME SUB ASSEMBLY	1
9	HAN0017239	. BAR, HANDLE	1
10	HNG0000810	. HINGE FOR TWINE BOX (PAIR)	1
11	PRP0010000	. PROP FOR TWINE BOX LID	1
12	BKT0017240	. BRACKET	2
13	F000000856	. TWINE & WIRE GUIDE BUSHING	3
14	F000000857	. SNAP RING F/TWN GUIDE BUSHING	3
15	SMS0000173	. BOLT, WHIZ	22
16	18738W	. CAPSCREW	6
18	R13803338	. SCREW	2
19	027-1007	. SCREW	12
20	R13802619	. WASHER	5
21	09416918	. NUT	36
22	237567	. NUT	6
23	221703W	. NUT	2
24	223427	. WASHER	3
25	SMS0000184	. BOLT, WHIZ	2
26	09416918	. NUT	2

\* SEE PAGE 213

### TWINE TENSIONER FRAME SUB ASSEMBLY





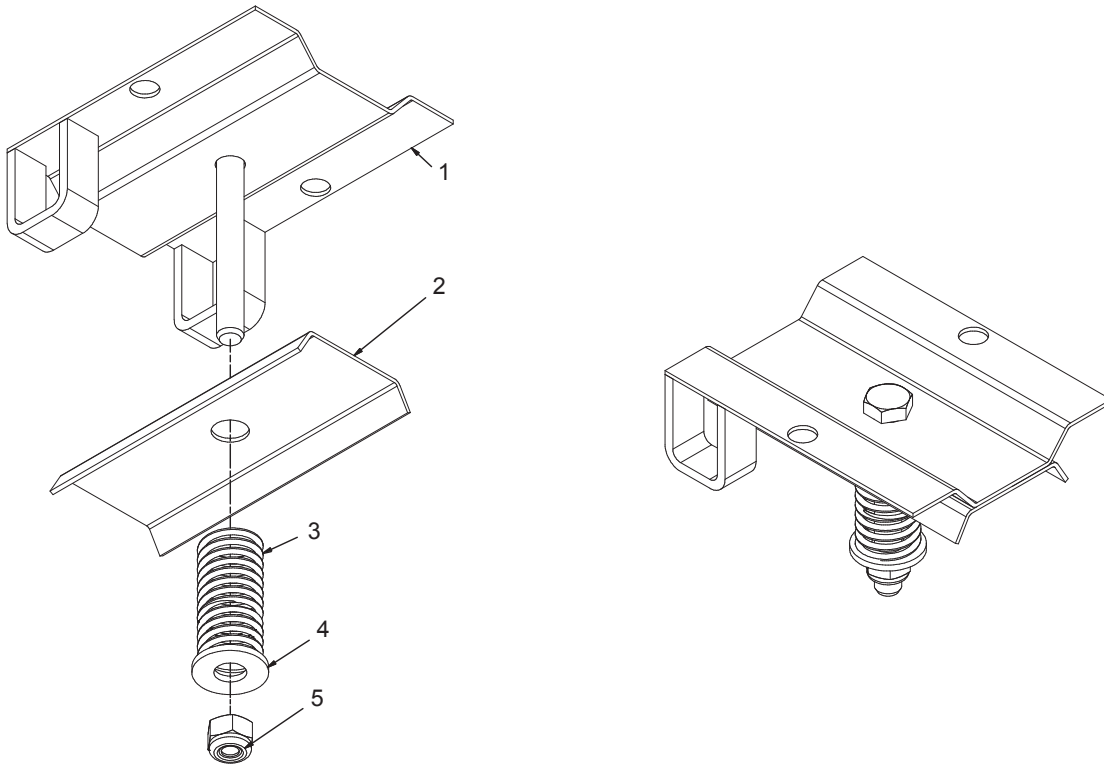
---

**TWINE TENSIONER FRAME SUB ASSEMBLY**

REF NO.	PART NO.	DESCRIPTION	QTY. USED
	<b>902891</b>	<b>FRAME SUB ASSEMBLY</b>	
1	BKT0017242	. BRACKET	1
2 *	F000007891	. TENSION ASSEMBLY, TWINE	3
3	F000000856	. BUSHING, TWINE & WIRE GUIDE	3
4	F000000857	. SNAP RING F/TWN GUIDE BUSHING	3
5	235242	. SCREW	6
6	09416918	. NUT	6

\* SEE PAGE 215

**TWINE TENSIONER ASSEMBLY**

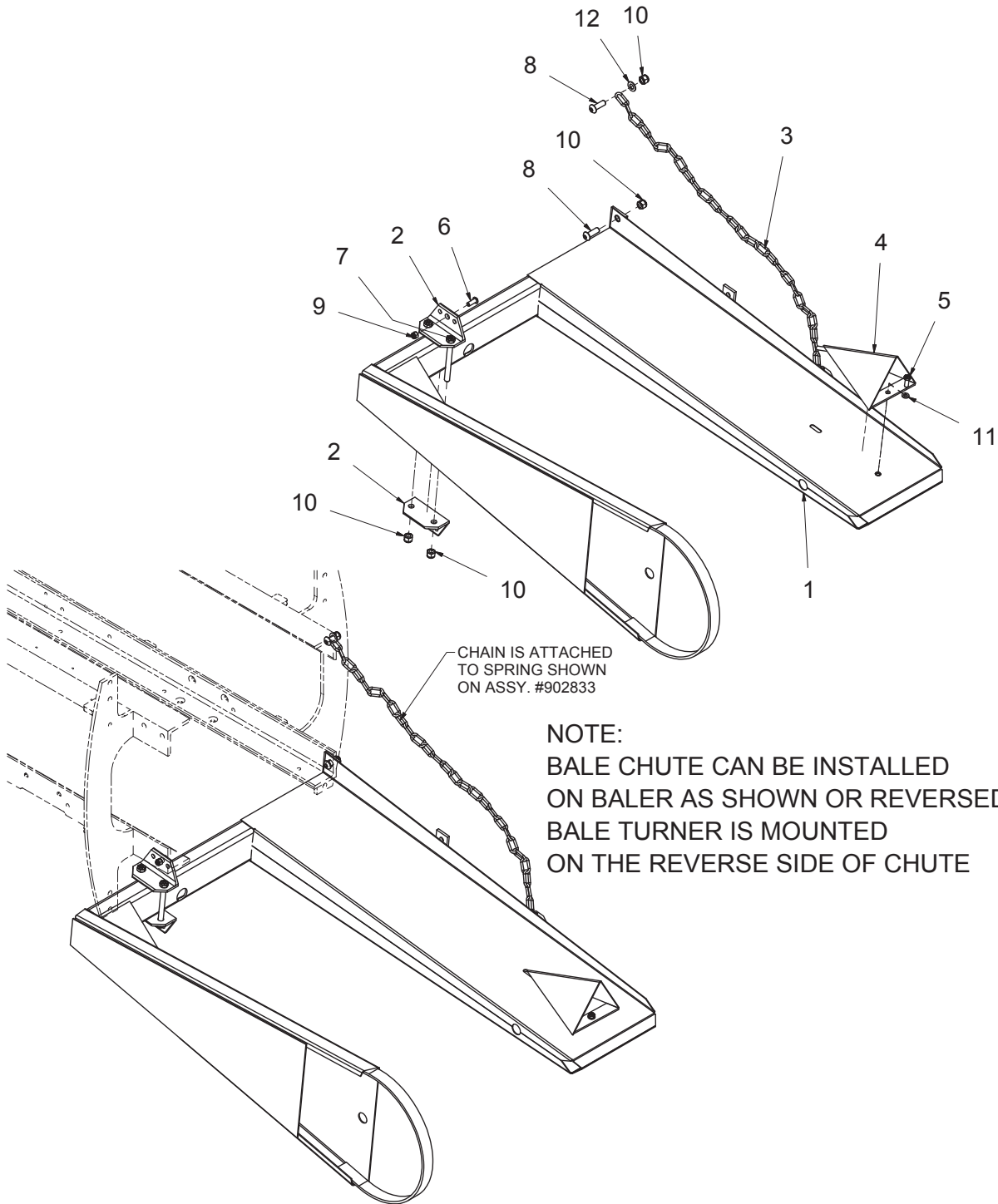


---

**TWINE TENSIONER ASSEMBLY**

REF NO.	PART NO.	DESCRIPTION	QTY. USED
	<b>F00007891</b>	<b>TENSION ASSEMBLY, TWINE</b>	
1	F00007889	. BASE	1
2	F00007890	. PLATE, TOP	1
3	F00007541	. COMPRESSION SPRING	1
4	223428	. WASHER	1
5	232939	. NUT	1

**BALE CHUTE INSTALLATION**

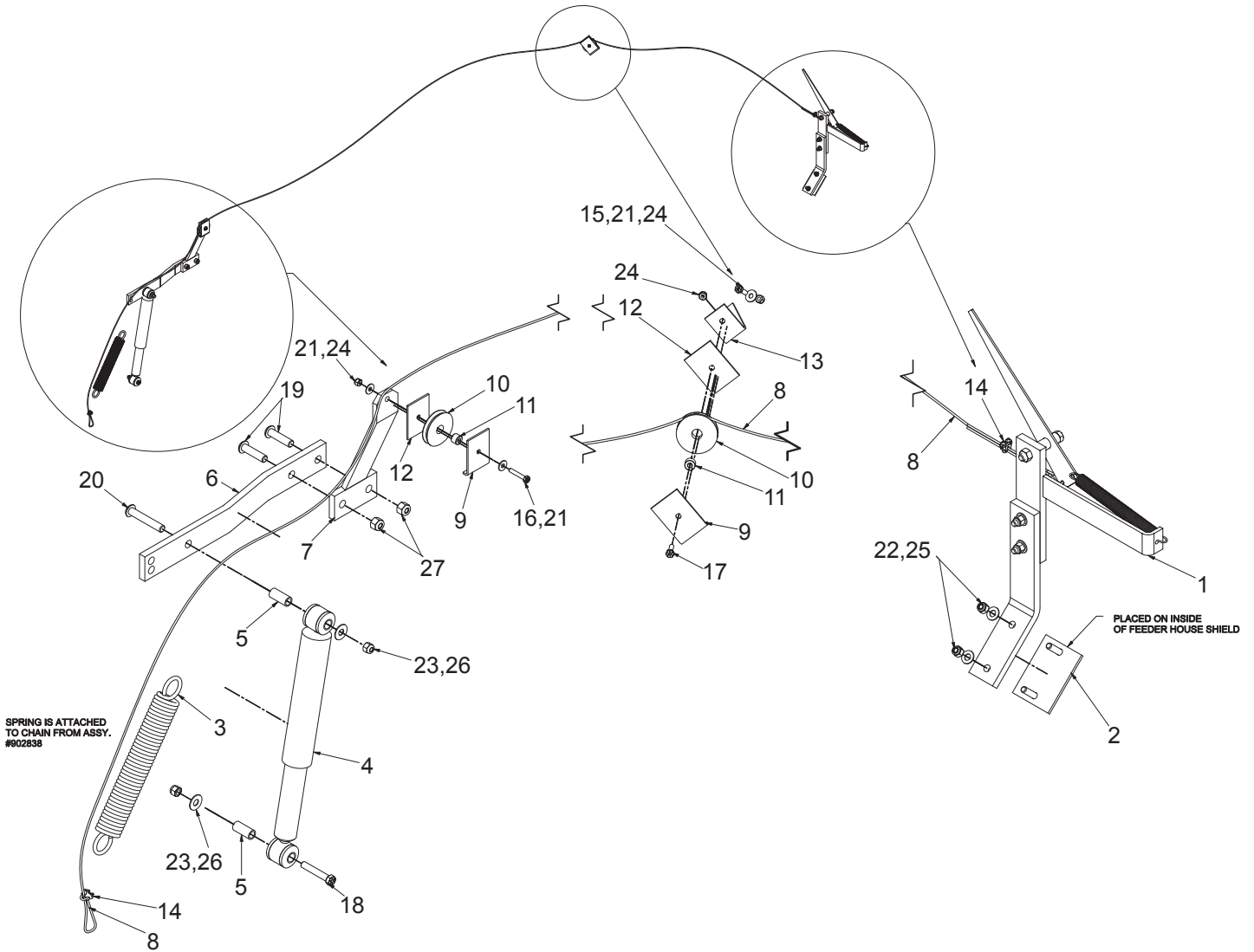


---

**BALE CHUTE INSTALLATION**

REF NO.	PART NO.	DESCRIPTION	QTY. USED
	<b>902838</b>	<b>BALE CHUTE INSTALLATION</b>	
1	CHU0178760	. BALE CHUTE	1
2	F000007657	. BRACKET	2
3	F000007659	. CHAIN, BALE CHUTE	1
4	F000007655	. BALE TURNER	1
5	Y17C-0616	. CAPSCREW	1
6	18738W	. CAPSCREW	1
7	218592W	. CAPSCREW	2
8	Y25G-0824	. CAPSCREW	2
9	237567	. NUT	1
10	223587	. NUT	4
11	234135	. WASHER	1
12	R13811431	. WASHER	1

**BALE WEIGHT INDICATOR INSTALLATION**

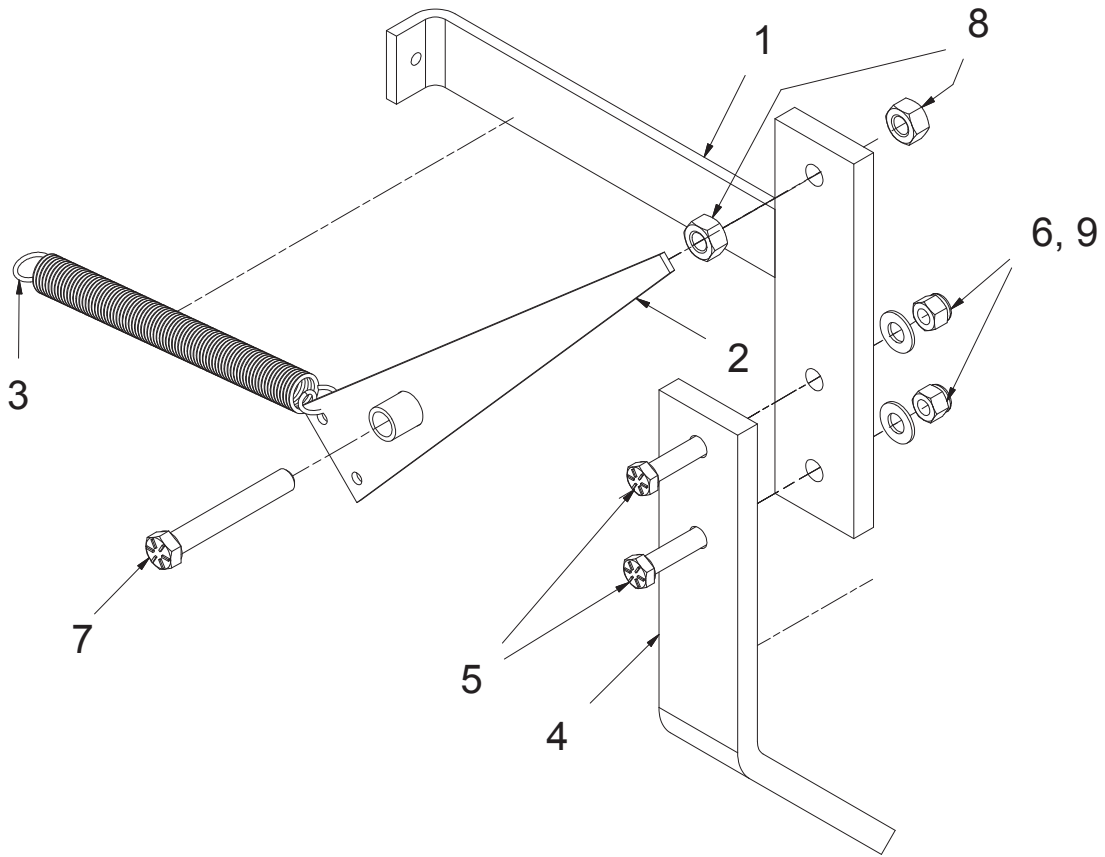


## BALE WEIGHT INDICATOR INSTALLATION

REF NO.	PART NO.	DESCRIPTION	QTY. USED	REF NO.	PART NO.	DESCRIPTION	QTY. USED
	<b>902833</b>	<b>BALE WEIGHT IND. INSTALLATION</b>		<b>14</b>	F000000990	. CABLE CLAMP	2
1 *	902752	. BALE WEIGHT IND. SUB ASSY	1	<b>15</b>	224120W	. CAPSCREW	1
2	MNT0033273	. MOUNT, INDICATOR	1	<b>16</b>	R13801783	. CAPSCREW	1
3	F000000985	. SPRING, BALE CHUTE	1	<b>17</b>	R13801782	. CAPSCREW	1
4	F000000988	. SHOCK ABSORBER	1	<b>18</b>	R13811060	. CAPSCREW	1
5	F000000993	. PIPE	2	<b>19</b>	Y25G-0832	. CAPSCREW	2
6	F000001638	. PLATE, SUPPORT	1	<b>20</b>	Y25G-0848	. CAPSCREW	1
7	F000001639	. BRACKET, CABLE	1	<b>21</b>	R13802619	. WASHER	3
8	902902	. CABLE	17'	<b>22</b>	223427	. WASHER	3
9	F000000994	. PLATE, SHIELD	2	<b>23</b>	222677	. WASHER	2
10	F000004067	. ROLLER	2	<b>24</b>	235620	. NUT	3
11	F000004068	. BUSHING	2	<b>25</b>	237567	. NUT	2
12	F000000995	. PLATE, ROLLER	2	<b>26</b>	224119	. NUT	2
13	BKT0008104	. BRACKET	1	<b>27</b>	223587	. NUT	1

\* SEE PAGE 221

**BALE WEIGHT INDICATOR ASSEMBLY**



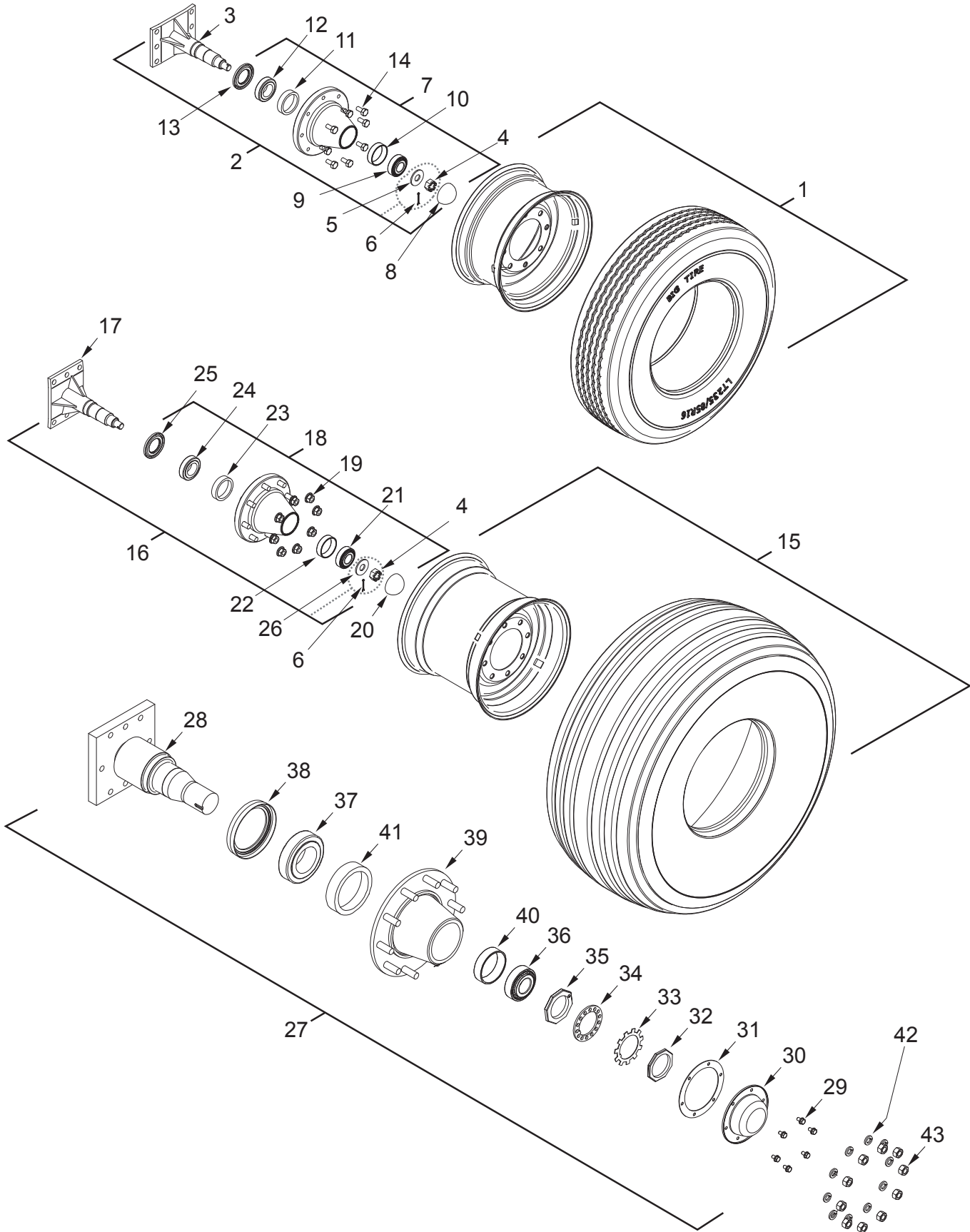


---

**BALE WEIGHT INDICATOR ASSEMBLY**

REF NO.	PART NO.	DESCRIPTION	QTY. USED
	<b>902752</b>	<b>BALE WEIGHT INDICATOR ASSY</b>	
1	F000000997	. BRACKET	1
2	F000000998	. INDICATOR	1
3	F000000268	. RETURN SPRING, INDICATOR	1
4	BKT0014239	. BRACKET, SUPPORT	1
5	R13801813	. CAPSCREW	2
6	237567	. NUT	2
7	R13811062	. CAPSCREW	1
8	R13806770	. NUT	2
9	223427	. WASHER	2

**SPINDLES, TIRES AND WHEELS**

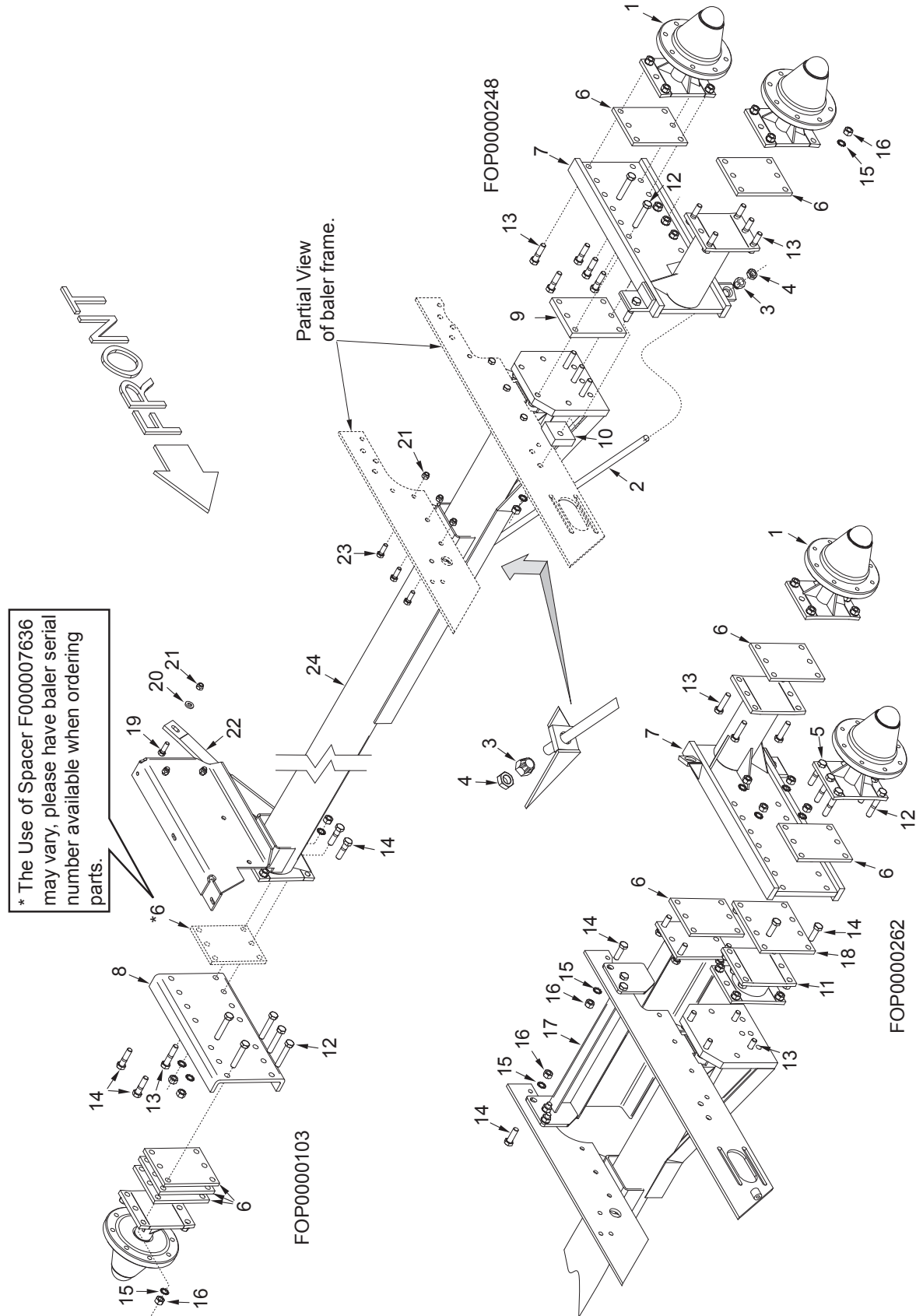


## SPINDLES, TIRES AND WHEELS

REF NO.	PART NO.	DESCRIPTION	QTY. USED	REF NO.	PART NO.	DESCRIPTION	QTY. USED
1	TIR0000002	TIRE & WHEEL ASSY; HIGHWAY TIRE	1	18	HUB0287130	. HUB PACKAGE F/120"TRACK+1390	1
	TIR7501608	. 10 PLY- HIGHWAY TIRE	1	19	254070	. . NUT, WHEEL	8
	WHL0106897	. WHEEL F/IMP&HWY TIRE 8-HOLE	1	20	254071	. . CAP, HUB	1
1	901467	TIRE & WHEEL ASSY;*; FLOTATION	1	21	254074	. . OUTER CONE	1
	F000008028	. 8-PLY FLOTION TUBELESS	1	22	254068	. . OUTER CUP	1
	F000008184	. WHEEL F/FLOTION TIRE 8-HOLE	1	23	254067	. . INNER CUP	1
	VLV0000415	. STEM, VALVE	1	24	254073	. . INNER CONE	1
2	F000008003	HUB/SPINDLE ASSY;*C; 8-HOLE	1	25	254072	. . SEAL, GREASE	1
3	F000007991	. SPINDLE	1	26	257446	. . WASHER F/WHEEL SPINDLE	1
4 *	F000007999	. NUT F/WHEEL SPINDLE	1	27	SPN1024150	HUB/SPINDLE ASSY WALKING BEAM	1
5	F000007998	. WASHER F/WHEEL SPINDLE	8	28	SPN0030824	. SPINDLE WLDMT;*C; WALKING BEAM	1
6 *	00103387	. PIN, COTTER	1	29	SMS0000177	. BOLT, WHIZ	6
7	F000008002	. HUB ASSY, WHEEL	1	30	HUB0070655	. CAP, GREASE WALKING BEAM	1
8	F000008000	. . HUB CAP - 8-HOLE HUB	1	31	GSK3303009	. GASKET	1
9	F000007997	. . BEARING CONE; OUTER	1	32	NMS0000572	. NUT, AXLE	1
10	F000007996	. . OUTER BEARING CUP	1	33	WLK0002237	. HEAVY STAR WASHER, LOCK	1
11	F000007993	. . BEARING CUP; INNER	1	34	WLK0000573	. HEAVY WASHER, LOCK	1
12	F000007994	. . BEARING CONE; INNER	1	35	NMS0000540	. NUT, AXLE	1
13	F000007995	. . RETAINER, GREASE	1	36	BRG0212049	. BEARING CONE, OUTER	1
14	F000008001	. . LUG BOLT; 8-HOLE HUB	8	37	BRG0218418	. BEARING CONE, INNER	1
15	WHL0000002	FLOAT TIRE WHL ASSY -8 -HOLE	1	38	SEL006506U	. SEAL	1
	TIR0165161	. 10 PLY TIRE	1	39	HUB0102415	. HUB	1
	WHL0108191	. WHEEL F/120"TRACK	1	40	136-0176	. . BEARING CUP, OUTER	1
16	SPN0287640	120" TRACKNG SPINDLE& HUB ASSY	1	41	136-0178	. . BEARING CUP, INNER	1
17	SPN0028764	. LH SPINDLE ASSY-120"-AFT/7-94	1	42	200608	WASHER, LOCK	10
				43	222463	NUT	10

\* ITEM 4 AND 6 ARE ALSO PART OF ITEM 16

**AXLE AND TANDEM WHEEL PLATE ASSEMBLIES**



## AXLE AND TANDEM WHEEL PLATE ASSEMBLIES

REF NO.	PART NO.	DESCRIPTION	QTY. USED
------------	-------------	-------------	--------------

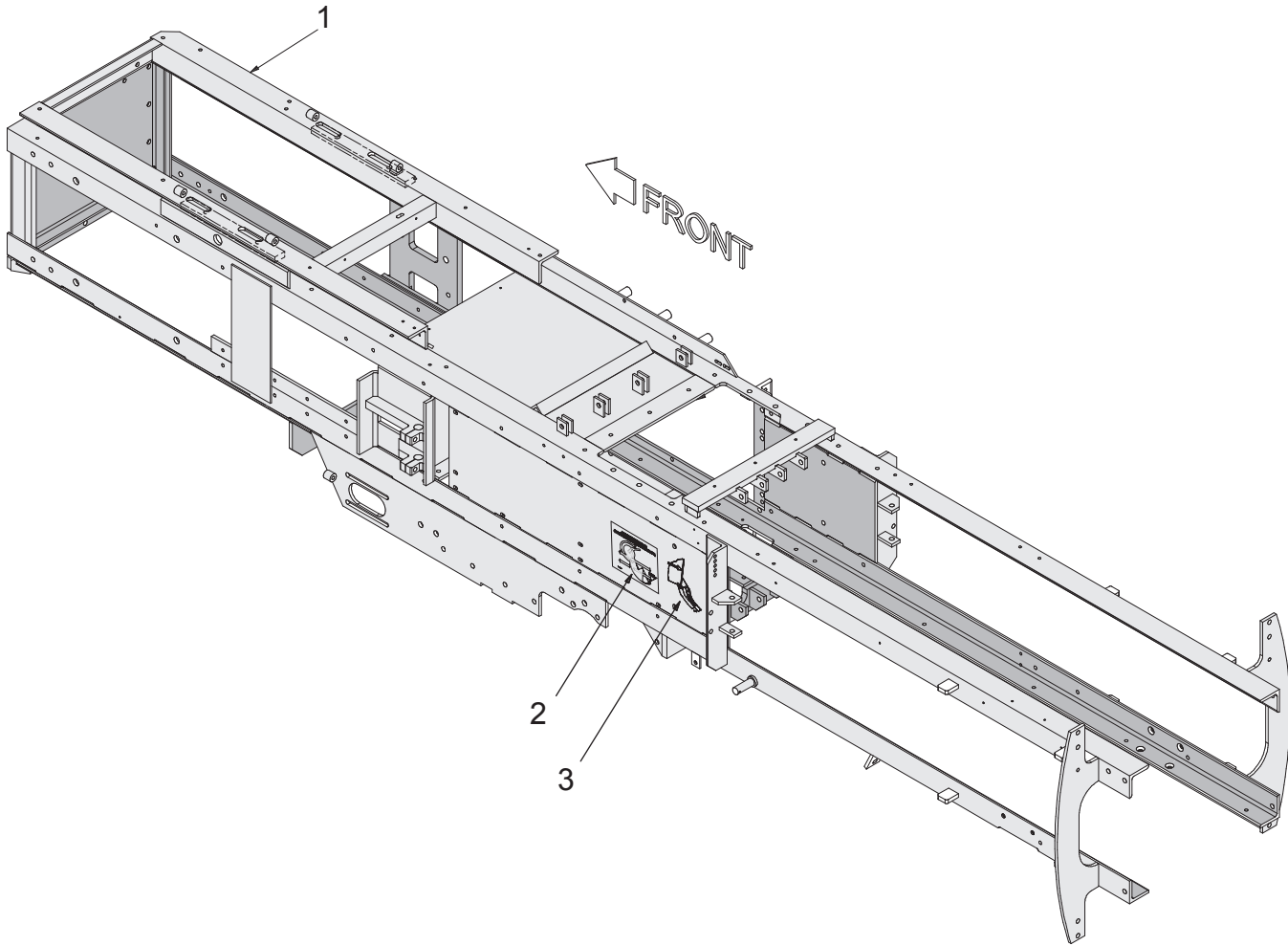
FOP0000103 TIRE & WHEEL ASSY,RH; SINGLE 8-HOLE  
 FOP0000248 TIRES & WHEELS ASSY,LH; 8-HOLE  
 FOP0000262 TIRES & WHEELS ASSY,LH; TANDEM HWY, HYDRO ONLY

1 *	F000008003	. HUB/SPINDLE ASSY; 8-HOLE	*
2 *	-----	. TRUSS ROD -41"	*
3 *	-----	. TRUSS ROD NUT	*
4 *	-----	. NUT, JAM	*
5 *	-----	. CAPSCREW	*
6 *	F000007636	. SPACER PLATE	*
7 *	-----	. WHEEL PLATE REG TIRE TANDEM	*
8 *	-----	. PL, RH CHANNEL	*
9 *	-----	. PL, SPACER	*
10*	-----	. BAR,SPACER	*
11*	-----	. EXTENSION	*
12*	-----	. CAPSCREW	*
13*	-----	. CAPSCREW	*
14*	-----	. CAPSCREW	*
15*	WES0006250	. STAR WASHER	*
16*	199594W	. NUT	*
17*	-----	. CHANNEL WLDMT,SUPT	*
18*	-----	. SPACER	*
19	229172	CAPSCREW	1
20	2239519	WASHER	1
21	223587	NUT	7
22	F000007705	BAR, RH BRACE	1
23	3501489	CAPSCREW	6
24	AXL003902	AXLE ASSEMBLY-PULL TYPE	1

FOP	ITEM 1	QTY	ITEM 2	QTY	ITEM 3	QTY	ITEM 4	QTY	ITEM 5	QTY
FOP0000103	1		NOT USED	0	NOT USED	0	NOT USED	0	NOT USED	0
FOP0000248	2		RD00708600	1	NMS0007125	1	R13809570	1	NOT USED	0
FOP0000262	2		RD00708600	1	NOT USED	0	NOT USED	0	221637W	2
FOP	ITEM 6	QTY	ITEM 7	QTY	ITEM 8	QTY	ITEM 9	QTY	ITEM 10	QTY
FOP0000103	1		901626	0	F000007756	1	NOT USED	0	NOT USED	0
FOP0000248	2		901626	1	NOT USED	0	PLT0026966	1	901274	1
FOP0000262	3		901626	1	NOT USED	0	NOT USED	0	NOT USED	0
FOP	ITEM 11	QTY	ITEM 12	QTY	ITEM 13	QTY	ITEM 14	QTY	ITEM 15	QTY
FOP0000103	F000008182	1	219530	5	R13807958	1	Y18C-1032	4		<b>10</b>
FOP0000248	NOT USED	0	NOT USED	0	NOT USED	0	NOT USED	0		16
FOP0000262	NOT USED	0	NOT USED	0	R13807958	10	Y18C-1032	12		28
FOP	ITEM 16	QTY	ITEM 17	QTY	ITEM 18	QTY				
FOP0000103	10		SUP0031138	5	NOT USED	0				
FOP0000248	16		NOT USED	0	NOT USED	0				
FOP0000262	28		NOT USED	0	SPC0031139	1				

FOP0000103, FOP0000248 AND FOP0000262 ARE MOST COMMONLY USED.  
 SEE 80-798 WHEEL SETUP INSTRUCTIONS FOR COMPLETE PART LIST AND ASSEMBLY INSTRUCTIONS.

**BALER FRAME**

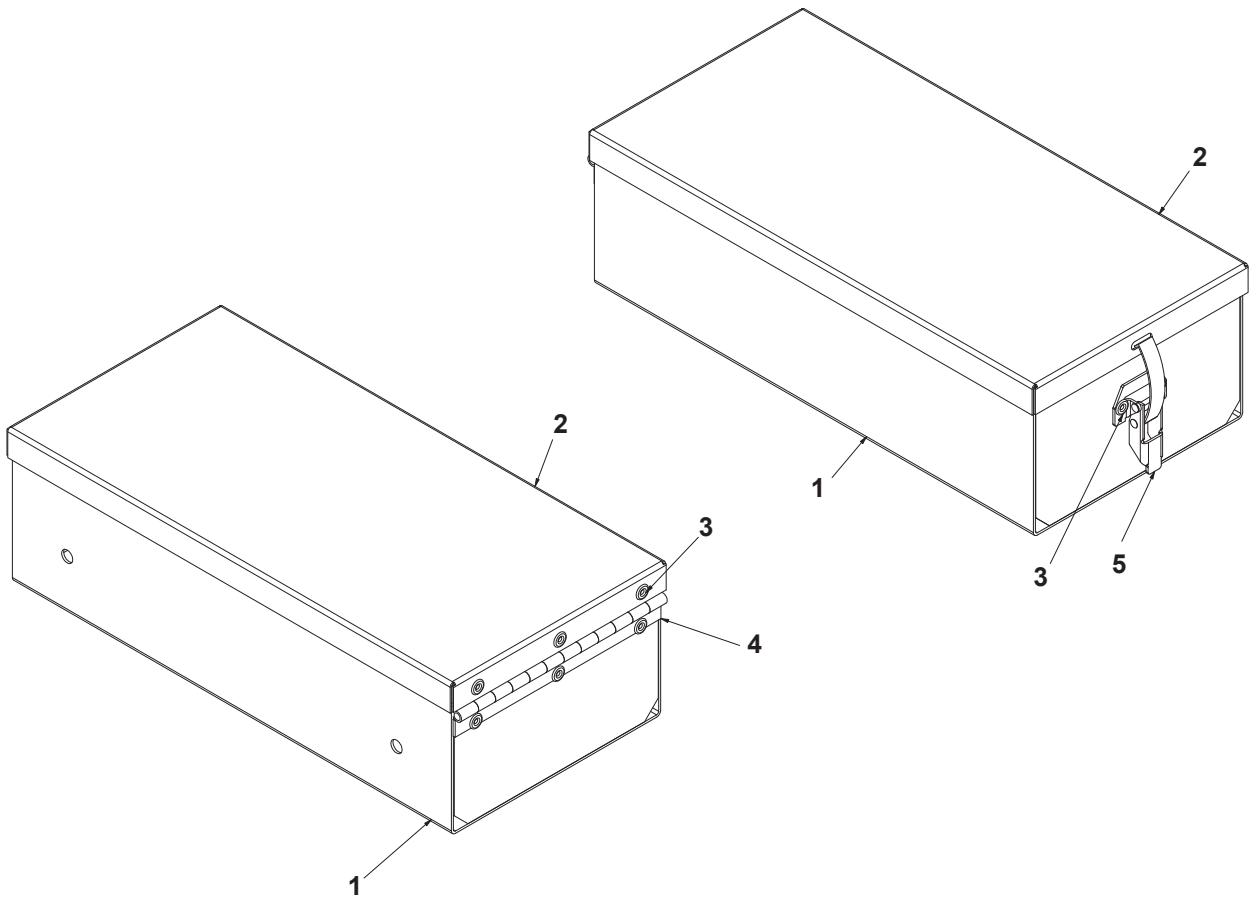


---

**BALER FRAME**

<b>REF NO.</b>	<b>PART NO.</b>	<b>DESCRIPTION</b>	<b>QTY. USED</b>
1	FRM037192E	FRAME 3 TIE 16" CHAMBER	1
2	FD00008193	DECAL; AVOID EQUIPMENT DAMAGE	1
3	FD00007126	DECAL - NEEDLE ADJUSTMENT	1

TOOL BOX



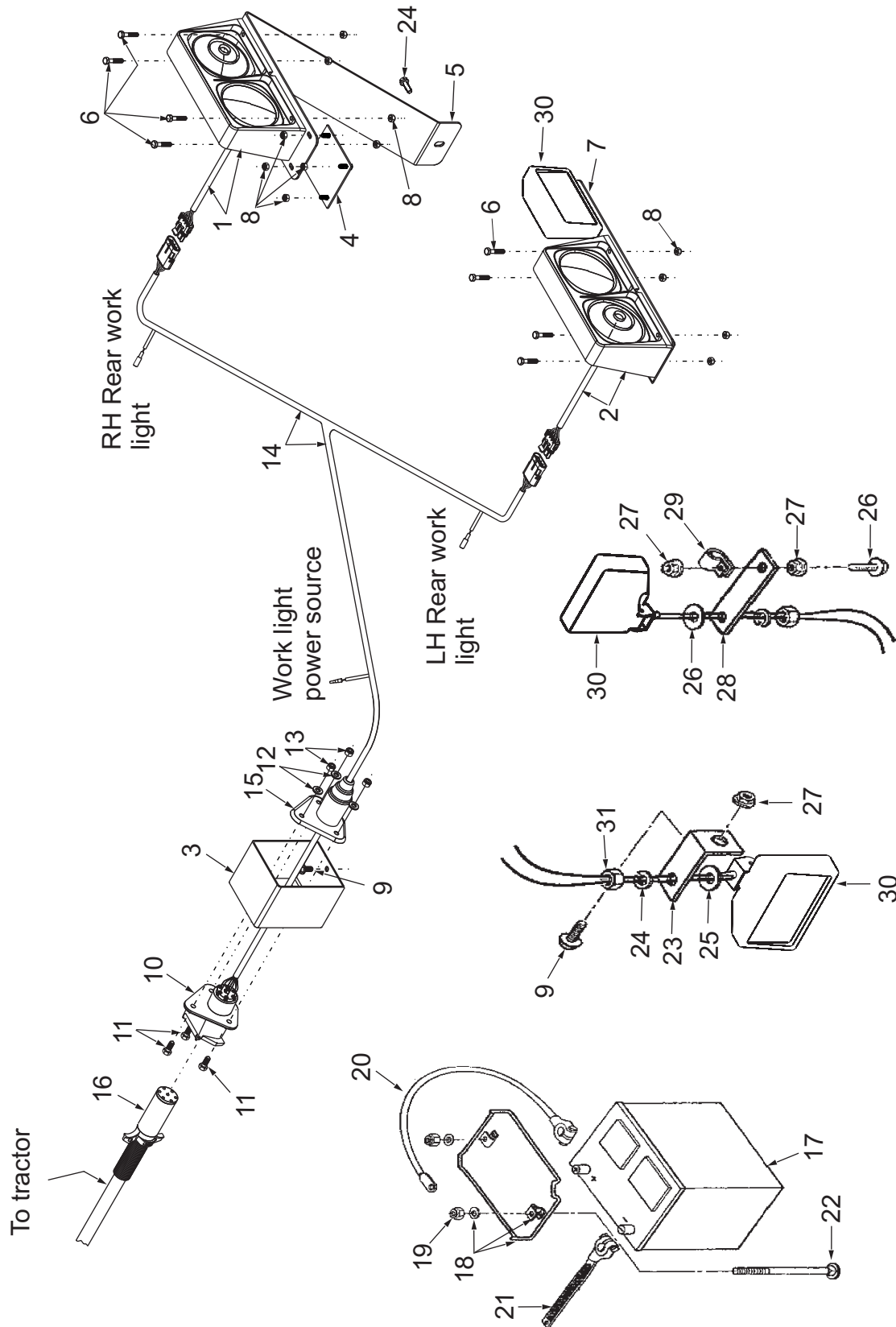


---

**TOOL BOX**

REF NO.	PART NO.	DESCRIPTION	QTY. USED
	<b>BOX0007161</b>	<b>TOOLBOX ASSEMBLY</b>	
1	BOX0007160	. BOTTOM SECTION TOOL BOX	1
2	BOX0007092	. PLATE,COVER	1
3	RIV0000604	. RIVET	8
4	HNG0007094	. HINGE	1
5	CLP0000130	. HOOK-TYPE FASTENER	1

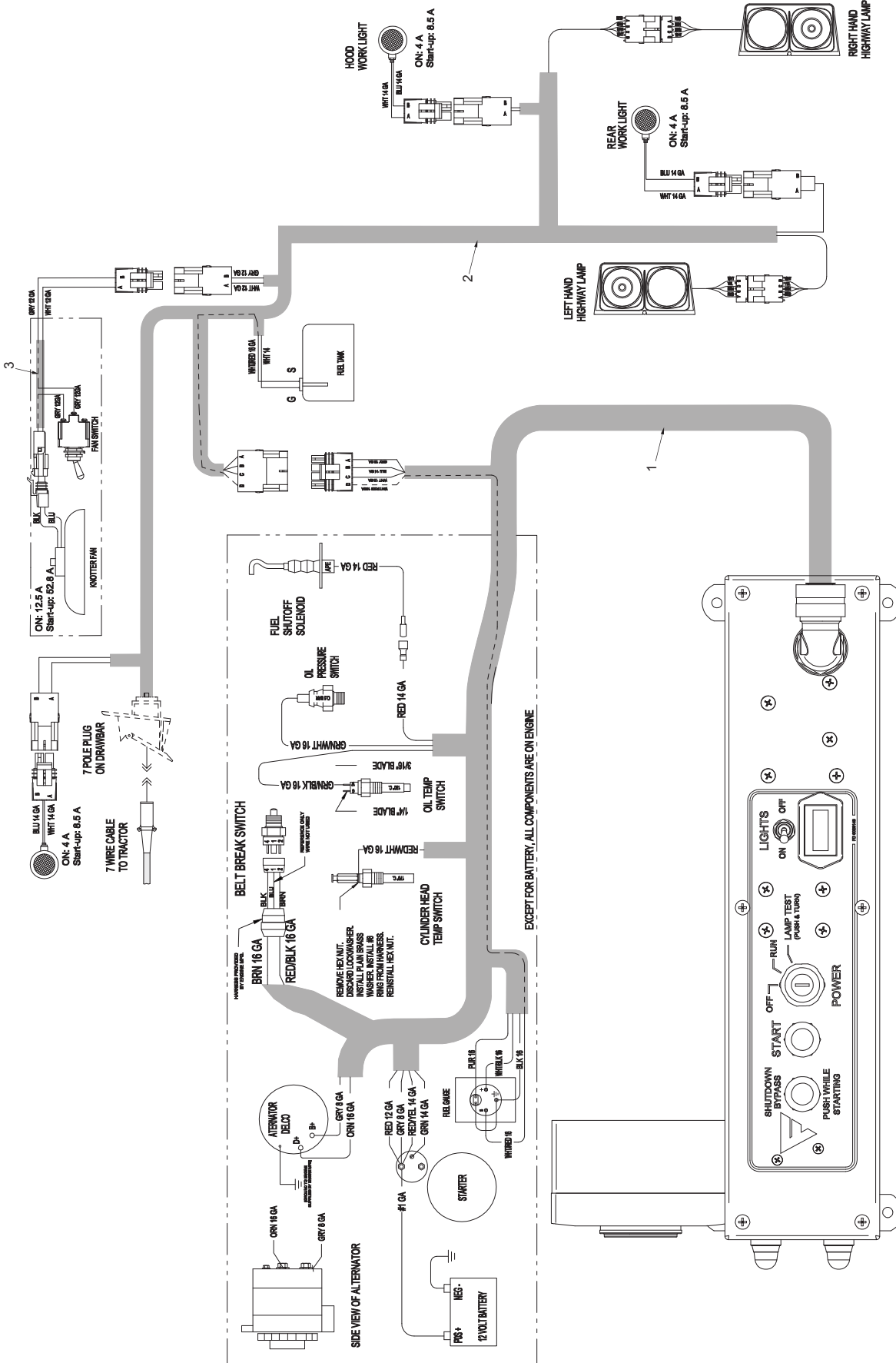
**HIGHWAY LIGHTS**



## HIGHWAY LIGHTS

REF NO.	PART NO.	DESCRIPTION	QTY. USED	REF NO.	PART NO.	DESCRIPTION	QTY. USED
1	LIT037164B	LIGHT ASSY, RH HIGHWAY	1	16	CBL1121702	CABLE ASSEMBLY	1
2	LIT037163B	LIGHT ASSY, LH HIGHWAY	1	17	BAT0277000	BATTERY-12V	1
3	BKT037159B	BRACKET, LIGHT HARNESS PLUG	1	18	CIP6651501	BATTERY HOLD DOWN-GRP	1
4	BKT037150A	BRACKET, RH LIGHT MOUNTING	1	19	237567	NUT	2
5	BKT037149B	BRACKET, RH REAR LIGHT MOUNT	1	20	CBL0000126	BATTERY CABLE-INSULATED-12V	1
6	18466W	CAPSCREW	8	21	F000005499	BATTERY HOLD DOWN-GRP	1
7	BKT037152B	BRACKET, LH LIGHT MOUNT	1	22	CRB3750009	BOLT	2
8	09416918	NUT	12	23	F000006577	BRACKET, FRONT LIGHT	1
9	SMS0000184	WHIZ BOLT	2	24	234665	WASHER	2
10	SOK0012310	ELECTRICAL SOCKET, 7 POLE	1	25	239519	WASHER	2
11	R13801791	CAPSCREW	3	26	SMS0000815	BOLT, WHIZ	2
12	R13811444	WASHER	3	27	00273802	NUT, WHIZ	3
13	223588	NUT	3	28	F000008062	BRACKET, RIGHT REAR LIGHT	1
14	HRN037162D	HARNESS, HIGHWAY LIGHTING	1	29	CLP0000123	CLAMP, VINYL	1
15	SOK0000007	SOCKET BOOT	1	30	LIT7189802	LIGHT, WORK	3
				31	221712W	NUT	4

### WIRE LOOMS (ENGINE BALER)

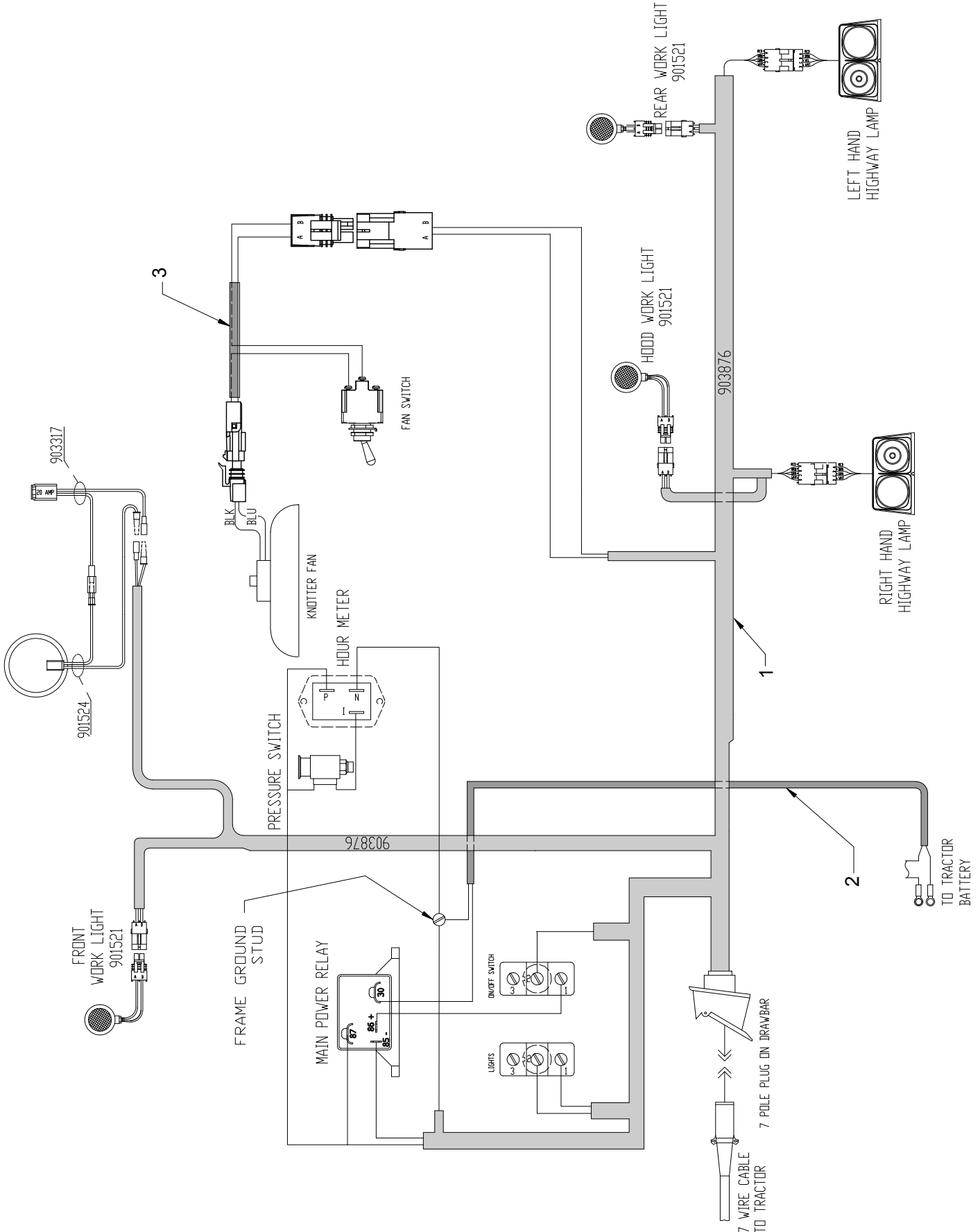


---

**WIRE LOOMS (ENGINE BALER)**

REF NO.	PART NO.	DESCRIPTION	QTY. USED
	<b>904511</b>		
1	903496	WIRE HARNESS, ENGINE; DEUTZ 914	1
2	903581	WIRE HARNESS; HIGHWAY LIGHTING	1
3	903592	WIRE HARNESS; KNOTTER FAN	1

**WIRE LOOMS (HYDRO BALER)**

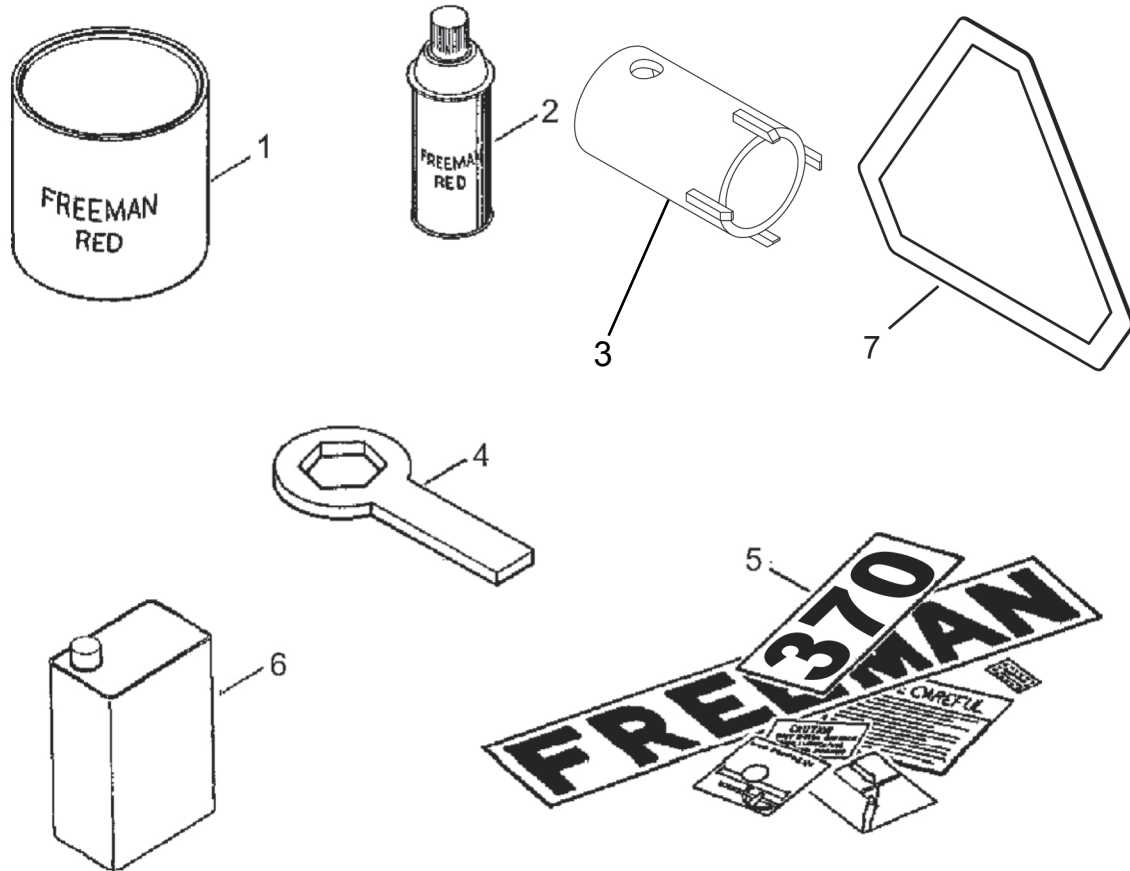


---

**WIRE LOOMS (HYDRO BALER)**

<b>REF NO.</b>	<b>PART NO.</b>	<b>DESCRIPTION</b>	<b>QTY. USED</b>
1	903876	WIRING HARNESS; 70/75 HYDRO	1
2	903117	CABLE ASSY; BATT PWR SUPPLY	1
3	903592	WIRE HARNESS; KNOTTER FAN	1

EXTRA ITEMS





## EXTRA ITEMS

REF NO.	PART NO.	DESCRIPTION	QTY. USED
1	PNT0085350	ONE GALLON RED BALER PAINT	AR
1	PNT0085125	ONE GALLON WHITE BALER PAINT	AR
2	F000000770	FREEMAN RED PAINT-SPRAY CAN	AR
2	F000001677	FREEMAN WHITE PAINT, SPARY	AR
3 *	WRN036554B	WRENCH, FOR BEARING LOCKNUT	1
4**	WRN035826B	WRENCH, FEED FORK PIVOT SHAFT	1
5	FD00003700	DECAL SET - PULL TYPE 370	1
6	F000007626	BULLGEAR GREASE 1-GAL	AR
7	SGN0024006	SIGN, "SLOW MOVING VEHICLE"	1
	BKT0000001	BRACKET, SLOW MOVING VEH SIGN	1
	MNT0000001	KIT, SIGN MTG	1
	00273802	NUT	2
	SMS0000184	BOLT, WHIZ	2
	SMS0000173	BOLT, WHIZ	2
	09416918	NUT	2

AR - AS REQUIRED

\* WRENCH FOR FEED FORK PIVOT SHAFT NUT. SEE ITEM  
8 PAGE 127

\*\* WRENCH FOR FEED FORK PIVOT SHAFT NUT. SEE ITEM  
29 PAGE 127

Part No.	Description	Page No.	Part No.	Description	Page No.
11079	FITTING, LUBE	16,104,130,132,174,190,210,212	229443	FITTING	56
11767	KIT, SPLIT FLANGE	48	230697	PIPE	8
14701	FITTING	48	231044	RING, SEAL	34,52
15280	FITTING	64	231486	SET SCREW	28
17707	FITTING	6	237745	HOSE ASSEMBLY	48
19071	FITTING	52	242826	HOSE ASSEMBLY	48
22635	DIODE	36	245958	HOSE ASSEMBLY	48
23834	FITTING	56	247008	PLATE, MOUNTING	8
23945	FITTING	4	252293	MUFFLER	24
28561	FITTING	52	252494	FILTER, OIL	28
28928	HOSE ASSEMBLY	48	252527	PLATE, COVER	46
48688	KEY	16,52,148,156	252601	FITTING	28
103384	PIN, COTTER	200	252619	RELAY	52
103385	PIN, COTTER	16,52,164,172,188	252742	PRECLEANER	24
103387	PIN, COTTER	228	252913	TRIP SPRING	198
103409	PIN, COTTER	172	253015	SOLENOID	28
121209	FITTING	56	253270	HARDENED BILL HOOK PINION	178
124829	JAM NUT	188	253271	SPIRAL PIN F/KNOTTER GEARS	178
191758	FITTING, LUBE	88,100,158,180	253343	BELT, COOLING FAN	28
200274	CIRCUIT BREAKER	34	253403	GAUGE, TENSION CONTROLLED	24
203513	O-RING	130	253425	FERRULE	8
203516	O-RING	48	253618	HOSE ASSEMBLY	48
208111	CONNECTOR, CORD	34	253621	HOSE ASSEMBLY	48
209087	FITTING	52	253622	HOSE ASSEMBLY	48
209161	FITTING	52	253694	FITTING	104
209164	FITTING	48	253836	SPROCKET, DRIVE	200
209166	FITTING	52	254067	INNER CUP	228
209215	FITTING	52	254068	OUTER CUP	228
209409	FITTING	70,160	254070	NUT, WHEEL	228
209413	FITTING	52	254071	CAP, HUB	228
209417	FITTING	52	254072	SEAL, GREASE	228
209427	FITTING	52	254073	INNER CONE	228
209452	FITTING	64	254074	OUTER CONE	228
209488	BAR, LEVER	8	254811	ROLL PIN, PINION	194
209498	FITTING	52	254896	AIR CLEANER ASSEMBLY	24,32
209500	FITTING	78	255019	HOSE ASSY	160
209500	FITTING	78,104	255020	HOSE ASSY	160
209508	FITTING	52	255118	REDUCER, INSERT	24
209511	FITTING	174	255120	REDUCER, HUMP HOSE	24
209512	FITTING	68,70,72	255309	TWINE HOLDER ONLY	194
209537	CLAMP HALF	48	255311	KNOTTER FRAME SHIM 0.5 MM	194
209578	CLAMP	28,56,76	255312	KNOTTER FRAME SHIM 0.2 MM	194
209588	CLIP, INSULATED	28	255313	BEARING SHIM 0.1 MM	194
209700	CLAMP	160	255314	BEARING SHIM 1.0 MM	194
209752	FITTING	64	255315	BEARING REAR SHIM 0.1 MM	194
209754	FITTING	68,72	255316	BEARING REAR SHIM 0.2 MM	194
209757	FITTING	52	255492	BODY CLAMP	32
209759	FITTING	52	255493	COVER	32
209763	FITTING	6	255494	FILTER	32
209794	FITTING	56,78,82	255495	FILTER, SAFETY	32
209901	FITTING	52	255496	BODY	32
211550	FITTING	52	255497	VALVE, ACTUATOR	32
212255	COTTER PIN	2	255653	VALVE, OVER FLOW	28
212977	RECEPTACLE, PLUG	56	255664	DIP STICK	28
214179	FITTING	52	255665	OIL FILLER CAP	28
214219	FITTING	48	255813	ENGINE	28
214479	SEAL	64	256328	GROMMET	56
215203	FITTING	6	256353	COUNTER, RESETTABLE	208
215515	FITTING	52	256678	KNOTTER FAN	204
218970	FITTING	52	256846	HOSE ASSEMBLY	48
220949	MOUNT, ADHESIVE BACK	18	256937	HOSE ASSEMBLY	48
221280	FITTING	168	257238	OIL PRESSURE SENDER	28
221398	NUT	132	257239	SWITCH, OIL TEMPERATURE	28
221706	BUSHING	96	257240	FUEL FILTER	28
223003	FITTING	48	257241	BELT, ALTERNATOR	28
225370	CLAMP, T-BOLT	24	257242	STOP SWITCH, BROKEN BELT	28
226272	BUSHING	132,210,212	257446	WASHER F/WHEEL SPINDLE	228
228412	LOCKWASHER	104	258766	ENGINE	28
229289	SWITCH, TOGGLE	34,52,204	576690	DECAL, ON OFF	204

Part No.	Description	Page No.	Part No.	Description	Page No.
700360	KEY	28	902962	TWINE HOLDER KNIFE FASTENERS	194
900024	WIRE HARNESS;*A; GROUND WIRE	204	903106	INSTRUCTIONS	184
900249	DISC & BRG ASSEMBLY	174,190	903113	PLATE, SHIELD	18
900534	PLATE, MOUNTING	28	903117	CABLE ASSY; BATT PWR SUPPLY	240
900537	ARM, THROTTLE ARM	28	903119	BLOCK, TRACK	114
900538	TWINE FINGER	198	903175	DRIVE BELT SHIELD W/DECALS	92
900928	PICKUP CAM	150	903181	PLATE,SHIELD	202
901187	BRACKET	28	903196	DRIVE SHAFT	190
901274	BAR,SPACER	230	903197	PLATE, RH MOUNTING	190
901445	PLATE, MOUNTING	52	903198	PLATE, LH MOUNTING	190
901467	TIRE & WHEEL ASSY;*; FLOTATION	228	903200	TWINE FINGER	184
901524	FAN	56	903267	CONNECTING ROD ASSEMBLY	100
901573	MANIFOLD ASSY, BLGR LUBER, HYD	56	903276	DRIVE BELT SHIELD HYD	94
901578	PICKUP FRAME	150	903277	PLATE, SHROUD W/DECAL	204
901626	WHEEL PLATE REG TIRE TANDEM	230	903280	PLATE, RH SHROUD	56
901673	PLATE, SPACER	52	903281	SHIELD EXTENSION	92
901681	ROD	52	903288	SHIELD W/DECAL P/U REAR SECT	144
901697	GASKET	52	903290	SHIELD & DECAL, PICKUP FNT 370	144
901725	BRACKET, BELT SHIELD -HYD	94	903303	SHIELD & DECAL,FACE PLATE;370	144
901736	CHAIN, SAFETY	6,8	903314	PLATE, HOLDER	210
901747	PLATE, COVER	52	903317	WIRE HARNESS	56
901758	SUPPORT, HYD LINE	6	903319	CRANK ARM SHIELD-SIDE SECTION	126
901760	PLATE, MOUNTING	6	903323	SHIELD & DECAL,REAR PICKUP; 370	144
901891	BEARING ASSEMBLY	210	903326	TANK SUB ASSEMBLY, FUEL 30 GAL	18
901891	BEARING ASSEMBLY, YOKE	212	903326	TANK, FUEL 30 GALLON	22
901960	CONNECTING ROD ASSEMBLY	100,104	903327	TANK & DECAL, BULLGEAR LUBER	82
901970	FEEDER HOUSE INSTALLATION	140	903363	CHAMBER INSTALLATION	114
902038	DOOR, BOTTOM	40	903364	PLATE, LH CHM	106,110,114
902045	PLATE, BACK	38	903365	BAR, LH BTM	106,110,114
902047	SNORKEL	40	903368	ADAPTER	114
902048	SNORKEL INSTALLATION	38	903370	PLATE, RH RAIL	114
902050	SNORKEL ASSEMBLY	38,40	903371	PLATE, LH RAIL	114
902145	SUPPORT	38	903397	SHIM	100
902146	PIPE	38	903474	SHIELD & DECAL,BULLGEAR	76
902147	PLATE, DOOR	42	903477	VALVE	52
902148	BRACKET ASSEMBLY, SIDE	38	903496	WIRE HARNESS, ENGINE	34
902148	BRACKET ASSEMBLY	42	903503	BRACKET, DRAWBAR	96
902149	BRACKET	42	903505	DRAW BAR SUBASSY, ENG	2
902165	HOSE, FUEL	18	903506	DRAWBAR	2,6
902166	TWINE BOX INSTALLATION	214	903511	BASE, HITCH	16
902167	TWINE BOX SUBASSEMBLY	214,216	903512	FRONT END ASSEMBLY	14
902221	ROLL PIN	190	903540	DRAW BAR ASSEMBLY	6,8
902240	SHIELD SUB ASSEMBLY, BELT	90	903542	TANK	52
902403	BRACKET, SUPPORT-HYD	94	903543	TANK ASSEMBLY	48,52
902440	BRACKET-HYD	94	903574	CHAMBER INSTALLATION	106
902534	PLATE, TOP 375	122,124	903575	CHAMBER INSTALLATION	110
902535	PLATE, TOP 370	120,124	903580	WIRE HARNESS,ENGINE; DEUTZ 914	238
902580	NEEDLE ASSEMBLY	212	903581	WIRE HARNESS; HIGHWAY LIGHTING	238
902594	KNOTTER INSTALLATION, WELGER	184	903592	KNOTTER FAN HARNESS	204
902681	DOOR, FRONT END ACCESS	138	903592	WIRE HARNESS; KNOTTER FAN	238,240
902703	BLOCK, TRACK	106	903593	FAN ASSY, KNOTTER; 3-TIE BALERS	204
902703	BLOCK,TRACK	110	903595	PLATE, TOP	132
902728	PLATE, BTM LINER	106,110,114	903596	PLATE, BTM	132
902752	BALE WEIGHT INDICATOR ASSY	224,226	903597	ANGLE	132
902755	BILL HOOK (COMPLETE)	194	903642	COVER	64
902789	PLATE, MOUNTING	24	903646	TUBE	82
902793	BALE COUNTER ASSEMBLY	208	903651	TANK, CONTROL	64
902827	TANK INSTALLATION	80	903652	TUBE, FILTER LINE	64
902828	THROTTLE/TENSION CONTROL BOX	10	903653	TUBE ASSEMBLY	64
902833	BALE WEIGHT IND. INSTALLATION	224	903790	BRACKET, -MOUNTING	90
902838	BALE CHUTE INSTALLATION	222	903811	GASKET	82
902854	HAY SAVER WHEEL ASSY	158	903850	BEARING HOUSING ASSEMBLY	132
902891	FRAME SUB ASSEMBLY	158,216	903876	WIRING HARNESS; 70/75 HYDRO	240
902902	CABLE	224	903907	CONTROL BOX ASSEMBLY	28
902904	TUBE, SPACER	24	903918	FITTING	52
902909	ELBOW	24	903920	SWITCH	52
902913	TUBE	24	903984	SHIELD, CRANK ARM	126
902918	STRAP, LH 30 GAL	18	904024	SHIELD ASSY BULLGEAR W/LUBER	76
902919	STRAP, RH 30 GAL	18	904025	SHIELD ASSY BULLGEAR AND DECAL	76

Part No.	Description	Page No.	Part No.	Description	Page No.
904028	BULLGEAR SHD/OIL COOLER SHROUD	56	BRC0025469	PLATE, FRONT	92
904034	LUBER TANK W/DECALS	82	BRC0028437	PLATE, REAR	92
904036	TOP PLATE INSTALLATION	120	BRG0000202	BEARING, FLANGE	156
904037	TOP PLATE INSTALLATION	122	BRG0001300	BEARING, ROD END	198,184
904089	DECAL; MODEL NUMBER	144	BRG0001301	BEARING, ROD END	198,184
904090	DECAL; MODEL NUMBER	144	BRG0001572	CAM FOLLOWER 1-1/4 "	172,188
906188	ENGINE, COMPLETE, TIER 4 INTERIM	24, 28	BRG0001636	TOP ROLLER BEARING F/370 2003	100
906189	ENGINE INSTALLATION, TIER 4 INTEREM	24	BRG0006219	BEARING ASSEMBLY	150
4200115	ELBOW, RUBBER	24	BRG0012600	BEARING ASSEMBLY	130
9417892	ZERK	172,188	BRG0012610	BEARING CUP	130
05-130	SPACER	140	BRG0048500	BEARING ASSEMBLY	128,132
059-0042	BALL HITCH	6,8	BRG0048510	BEARING CUP	130
136-0176	BEARING CUP, OUTER	228	BRG0067000	BEARING	150
136-0178	BEARING CUP, INNER	228	BRG0076523	PINION BRG & HSNG	86
2305351W	O-RING	68,72	BRG0212049	BEARING CONE, OUTER	228
ACL0000004	INDICATOR	24	BRG0218418	BEARING CONE, INNER	228
ACL0000005	INSERT, RUBBER	24	BRG51FLMX8	BEARING, 2 BOLT FLANGE	198
ACL0004307	BAND, MOUNTING	24	BSH0001610	BUSHING, PICKUP AUGER	150
ACT7102001	ACTUATOR - ELECTRIC LIFT F/370	162	BSH0001614	FLYWHEEL SHEAR BUSHING	88
ANC0023975	ANCHOR	164	BSH0007127	2-7/16" FLYWHEEL BUSHING-PAIR	88
ANC0033729	ANCHOR, KNOTTER	184	BSH0011985	BUSHING	2,6
AO00000255	LOOM, SPLIT	164	BSH0162048	HAY SAVER WHEEL BUSHING	158
ARM0000027	CONNECT ROD ASSY, FEED ARM	128	BSH1001125	BUSHING	52
ARM0000027	FEED ARM CONNECTING ROD ASSY	130	CAM0007180	PLATE,CAM	174,180
ARM0007155	BAR, ARM	48	CAM0033355	LEVER ASSEMBLY, CAM	150
ARM0033234	ARM	66	CAM0033569	CAM	190
AUG0020830	PLATE, SCRAPER	150	CBK0005510	CIRCUIT BREAKER	34
AUG0020974	AUGER	150	CBK0014520	CIRCUIT BREAKER	34
AUG0022358	TROUGH, AUGER	150	CBL0000126	BATTERY CABLE	24
AXL003902	AXLE ASSEMBLY-PULL TYPE	230	CBL0000126	BATTERY CABLE-INSULATED-12V	236
BAB0002140	TERMINAL BLOCK	34	CBL0011127	CABLE ASSEMBLY	236
BAB006140Y	BARRIER BLOCK	36	CBL1743180	THROTTLE CABLE	10,28
BAR0007975	ANCHOR BAR, PINION BEARING	84	CBL1743324	CABLE, TENSION 324"	10
BAR0033189	ANGLE	150	CBT0000030	CABLE TIE	34
BAT0277000	BATTERY-12V	236	CBT0000148	CABLE TIE	204
BKT0000001	BRACKET, SLOW MOVING VEH SIGN	242	CHN0000370	CHAIN, SAFETY	2,6
BKT0006715	BRACKET	48	CHN0016368	CHAIN	148
BKT0008024	BRACKET,REAR	202	CHN0040125	CHAIN - PICKUP CHAIN-370	150
BKT0008037	BRACKET,FNT	202	CHN0060139	PICKUP DRIVE CHAIN F/270/370	148
BKT0008104	BRACKET	224	CHU0178760	BALE CHUTE	222
BKT0008288	BRACKET ELECTRIC PICKUP LIFT	148	CIP6651501	BATTERY HOLD DOWN-GRP	236
BKT0011131	BRACKET-HYD & ENG	94	CIR0029071	MODULE ASSY, AUTO-SHUTDOWN	34,36
BKT0014239	BRACKET, SUPPORT	226	CLH0001084	CLUTCH	28
BKT0016324	BRACKET	148	CLH0017773	ADAPTER	156
BKT0017240	BRACKET	216	CLH0017849	PLATE, DISC	156
BKT0017242	BRACKET	218	CLH0020799	PAWL, KNOTTER CLUTCH	174
BKT0017814	BRACKET	92	CLH0021222	PLATE ASSEMBLY, P/U CLUTCH	156
BKT0022481	BRACKET, RH	148	CLH0203569	FACING PLATE	44
BKT0024669	BRACKET, REAR	10	CLH0204230	BELL HOUSING	46
BKT0032971	BRACKET	174	CLH0204485	CLUTCH KEY	46
BKT0033732	BRACKET	184	CLH0204487	OUTPUT KEY	46
BKT037149B	BRACKET, RH REAR LIGHT MOUNT	236	CLH0204536	KEY, WOODRUFF	46
BKT037150A	BRACKET, RH LIGHT MOUNTING	144,236	CLH0204746	NUT	46
BKT037152B	BRACKET, LH LIGHT MOUNT	236	CLH0205358	NAME PLATE	46
BKT037159B	BRACKET, LIGHT HARNESS PLUG	2,236	CLH0205368	LINK, ADJUSTING	46
BLK0024063	BEARING BLOCK	130	CLH0205717	RELEASE SLEEVE -V465 CLUTCH	46
BLK0240630	BEARING BLOCK ASSEMBLY	130	CLH0205823	ADJUSTING RING	44
BMP0004243	BUMPER, RUBBER	38,144,174,190	CLH0205851	CLUTCH PLATE & RELEASE ASB-DTZ	44
BOX0007092	PLATE,COVER	234	CLH0205997	WEAR RING	44
BOX0007160	BOTTOM SECTION TOOL BOX	234	CLH0206563	RELEASE SLEEVE	44
BOX0007161	TOOLBOX ASSEMBLY	234	CLH0207445	BEARING, PILOT	46
BOX0017244	PLATE, BX END	216	CLH0207954	FITTING, GREASE	46
BOX0017245	PLATE,BX END	216	CLH0216506	COMPRESSION SPRING F/DTZ CLTCH	44
BOX0017256	PLATE, BX SIDE	216	CLH0230819	CLUTCH BODY	44
BOX0017257	PLATE, BX FNT	216	CLH0230909	DRIVE SHAFT	46
BOX0018358	PLATE, BX BTM	216	CLH0260843	FITTING, GREASE	46
BOX0018359	PLATE, BOX LID	216	CLH0269854	FITTING, GREASE	46
BOX0029110	BOX	34	CLH0307569	BEARINGS, MAIN	46
BOX0034338	GAUGE ASSEMBLY, FUEL	34	CLH0308369	LEVER, SHIFTING	46

Part No.	Description	Page No.	Part No.	Description	Page No.
CLH0308371	YOKE SUB ASSEMBLY	46	F00000759	DRIVE LINK, OFFSET	200
CLH0334051	RELEASE BEARING	44	F00000760	LINK, CONNECTING	200
CLP0000123	CLAMP, VINYL	236	F00000770	FREEMAN RED PAINT-SPRAY CAN	242
CLP0000130	HOOK-TYPE FASTENER	56,204,234	F00000774	WIPER, FRONT REAR	100
CLP0000165	STRAP	60	F00000775	ROLLER BEARING, PLUNGER	100
CLP0017241	BRACKET	214	F00000778	TUBE CONNECTOR	104
CLP0032525	PLATE, CLAMP	124	F00000822	SEALED CAM FOLLOWER	132
CLP0035751	CLAMP, EXHAUST	24	F00000837	HAY DOG BOTTOM	124
CLR0002094	MOUNTING, BLOCK-OIL COOLER	56	F00000856	BUSHING,	164,184,210,212,216,218
CLR0002353	TEE NUT-OIL COOLER MOUNT	56	F00000857	SNAP RING	164,184,210,212,216,218
CLV0007721	SHACKLE, SCREW PIN	48	F00000985	SPRING, BALE CHUTE	224
CLV0125001	CLEVIS	10	F00000986	WIPER, REAR	100
CLV1756012	CLEVIS W/PIN & COTTER	28	F00000988	SHOCK ABSORBER	224
COT0000301	COTTER PIN	174	F00000990	CABLE CLAMP	224
COT0000500	COTTER PIN	124,132	F00000993	PIPE	6
COT0000503	COTTER PIN	158	F00000993	PIPE	224
COT0000505	COTTER PIN	158	F00000994	PLATE, SHIELD	224
COT0000701	COTTER PIN	188	F00000995	PLATE, ROLLER	224
COT0000801	COTTER PIN	124,210,212	F00000997	BRACKET	226
COT0001006	COTTER PIN	128	F00000998	INDICATOR	226
COV0008038	PLATE,COVER	202	F00001003	DISC, FRICTION	12
CPL0080104	COUPLER, MALE	4	F00001004	BAR, INDICATOR	12
CRA0013775	HANDLE	80	F00001005	NUT, ADJUSTING STUD	12
CRA0018809	ROD, CRANK	12	F00001006	ROD	12
CRA0024058	PLATE, CRANK ARM	128	F00001018	PLATE, MOUNTING	10
CUS0032524	TOP PAD, 385	124	F00001019	COTTER PIN	10
CVR0020465	COVER, PICKUP TOP FRONT	140	F00001019	COTTER PIN	10
CVR0022648	COVER, CAM ROLLER ACCESS	154	F00001020	PIN, CLEVIS	10
CVR0024052	PLATE, CAP	130	F00001131	BEARING, THRUST	12
CVR0024670	PLATE, COVER	12	F00001134	PIN, CRANK	96
CYL0009014	CYLINDER- HYDRAULIC	4,8	F00001189	PLATE, LEADING TINE	136
CYL0013276	PLATE, CYLINDER HEAD	68,72	F00001193	BUSHING	136
CYL0013277	BASE PLATE, TENSION CYL.	68,72	F00001195	BAR, CLIP	136
CYL0013278	BARREL, TENSION CYLINDER	68,72	F00001441	ELBOW W/SLEEVE	100,174
CYL0013279	PISTON, TENSION CYLINDER	68,72	F000001513	MOUNTING	172
DEF0022860	PLATE, DEFLECTOR	150	F000001514	LEVER, RESET	172
DOG0018185	DOG STOP, PLUNGER	96	F000001514	LEVER, RESET	188
DOG0018520	HAY DOG BOTTOM KITTED 16 TO 15	124	F000001515	LEVER	172,188
DOG0035704	TOP HAY DOG 375	124	F000001517	TRIP SPRING	164,174,184,190
DPT0034314	ADAPTER	110	F000001531	METER WHEEL	170
DRW0003977	BUSHING	88	F000001537	BAR,SLIDE	100
DTZ0000626	SWITCH, PUSH BUTTON	34	F000001549	NEEDLE, RH YOKE DRIVE ROD END	210,212
DTZ1119246	BOLT, BANJO	28	F000001550	ROD END, NEEDLE YOKE DRIVE LH	210,212
EXH0011007	CAP, EXHAUST	24	F000001561	CLEVIS PIN	132
EXH0013806	EXHAUST TUBE	28	F000001563	CATCH, TORQUE SHAFT	140
F000000072	KEY	88	F000001572	CAM FOLLOWER	174,190,198
F000000073	SET SCREW	100	F000001603	PLATE, LEADING TINE	136
F000000096	EYEBOLT	148	F000001609	PLATE, KNIFE	106
F000000099	SET COLLAR	174,180	F000001611	TWINE NEEDLE	210
F000000101	GUIDE, PICKUP FINGER	150	F000001617	METER WHEEL SHAFT BRACKET	170
F000000159	BLOCK, LINK	164	F000001619	METER WHL SHAFT-BRG & COLLAR	170
F000000172	SET COLLAR	66	F000001632	BAR, STOP	164,184
F000000188	SPRING, HAY DOG	124	F000001638	PLATE, SUPPORT	224
F000000220	HAY DOG PIN	124	F000001639	BRACKET, CABLE	224
F000000227	BOLT, PLATE PLUNGER KNIFE	100	F000001661	FITTING	130,132
F000000268	RETURN SPRING, INDICATOR	226	F000001677	FREEMAN WHITE PAINT, SPARY	242
F000000278	SPRING F/KNOTTER TRIP ARM	172,188	F000001680	WASHER	178
F000000281	SPRING, FEED ARM LATCH	140	F000001687	DISC, KNURLED FRICTION	170
F000000299	BAR, UPPER RH	106,110	F000001689	CAP, FUEL TANK	22
F000000299	BAR,UPPER RH	114	F000001790	SPRING, COMPRESSION	156
F000000440	FERRULE	2,6,148,172,188,200	F000001791	PIN,CLUTCH	156
F000000497	PLATE, LINKAGE BAR	60	F000001793	FRICTION DISC, F/PTO CLUTCH	156
F000000525	PLATE, HOLDER	164	F000001797	COMP SPRING, CLUTCH PLATE	156
F000000525	PLATE, HOLDER	184	F000001889	FLANGETTE F/F1618 BEARING	170
F000000600	BOLT, TENSION	60	F000001891	TORSION LATCH SPRING	2,6
F000000637	BALE COUNTER CHAIN	208	F000001895	HAY SAVER ARM W/STOP	158
F000000658	WASHER	178	F000001896	HAY SAVER STOP BOLT	158
F000000659	WASHER	178	F000001897	PIVOT PIN F/HAY SAVER BRACKET	158
F000000755	SPROCKET, CLUTCH	174,190	F000001900	HAY SAVER ROTARY CLAMP-COMPL	158

Part No.	Description	Page No.
F000001901	U-BOLT F/HAY SAVER WHEEL	158
F000001902	SADDLE F/ ROTARY CLMP	158
F000001903	ROTARY CLAMP PLATE	158
F000001904	HAY SAVER DISC ASSY-COMLETE	158
F000001906	BACKUP RING F/HAY SAVER DISC	158
F000001907	RUBBER RING F/HAY SAVER	158
F000001911	WHEEL DISC ONLY F/HAY SAVER	158
F000004050	ROLLER	132
F000004067	ROLLER	224
F000004068	BUSHING	224
F000004073	OFFSET LINK - RC 40	60
F000004089	ZERK	190
F000004104	KEY	180
F000004115	SPRING	174
F000004135	INNER RACE	174,190
F000004136	WASHER	174,190
F000004160	BUSHING	174,180,190
F000004161	BUSHING	174,180,190
F000005499	BATTERY HOLD DOWN-GRP	236
F000005554	KNOB	12
F000006003	BEARING & SET COLLAR	174,190
F000006004	FLANGETTE	174,190
F000006108	CATCH; A-1 (INSPECT COVER)	40,42,204
F000006263	HEAT EXCHANGER	56
F000006410	SPACER	148
F000006511	BAR, LATCH	4,8
F000006577	BRACKET, FRONT LIGHT	236
F000006804	EXHAUST CLAMP 2-1/4" STD DUTY	160,162
F000007000	BELT, DRIVE	24,48
F000007010	ADJUSTING BOLT, ENGINE	24
F000007013	BRACKET	28
F000007055	DRIVE CHAIN, KNOTTER	200
F000007063	BEARING, SHAFT	156,174,180,190
F000007145	PLATE, WEAR	140
F000007151	PLATE, LH	150
F000007154	EXT SPRING F/PU BALANCE	148
F000007156	PLATE, SPRING	148
F000007159	BAR, HOLD DOWN	140
F000007160	BAR, HOLD DOWN	140
F000007194	BRACKET	150
F000007239	PIN, ROLL	96
F000007275	SPRING	140
F000007276	FERRULE, FEEDER HOUSE	140
F000007391	BRACKET	208
F000007394	PLATE, PICKUP STOP	138
F000007397	SPROCKET, IDLER	200
F000007438	BULL GEAR	96
F000007439	ANGLE	106,110,114
F000007448	SADDLE LEVER SPRING EYEBOLT	174,190
F000007449	BRAKE PLATE , INSIDE W/LINING	174,190
F000007450	BRAKE PLATE, OUTSIDE W/LINING	174,190
F000007451	BRAKE PLATE STUD	174,190
F000007453	BRAKE PLATE SPRING	174,190
F000007461	DRIVE ARM, NEEDLE YOKE	174,190
F000007488	KEY	86
F000007519	HOUSING ASSEMBLY	174,190
F000007523	BEARING	210,212
F000007528	BRAKE DISC ASSEMBLY	174,190
F000007529	BAR	132
F000007539	LEVER	16
F000007539	LEVER	52
F000007540	PIN, ADJUSTING	16
F000007540	PIN, ADJ	52
F000007541	COMPRESSION SPRING	16,52,220
F000007547	DOG STOP, PLUNGER	96
F000007550	GROMMET F/BULL GEAR SHIELD	76
F000007554	ROD, NEEDLE YOKE	210
F000007555	BRACKET	214
F000007556	BRACKET	214

Part No.	Description	Page No.
F000007559	SADDLE LEVER SPRING	174,190
F000007560	LEVER	174,190
F000007566	CUSHION SPRING F/LIFT CABLE	148
F000007568	NEEDLE GAURD, RH	210,212
F000007569	NEEDLE GAURD, LH	210,212
F000007579	BRACKET, DRIVE ARM SHIELD	144
F000007585	SLEEVE, LEVER	174,190
F000007587	SEAL	174,190
F000007604	LATCH HOOK	132
F000007605	CAPSREW	132
F000007606	TRIP ARM ASSEMBLY	132
F000007607	BEARING, INNER RACE	132
F000007607	BEARING, INNER RACE	148
F000007610	QUAD-RING	132
F000007626	BULLGEAR GREASE 1-GAL	242
F000007636	SPACER PLATE	230
F000007651	ZERK	104
F000007654	BRACKET	144
F000007655	BALE TURNER	222
F000007657	BRACKET	222
F000007659	CHAIN, BALE CHUTE	48,222
F000007699	PULLEY, MOTOR	28
F000007705	BAR, RH BRACE	214
F000007705	BAR, RH BRACE	230
F000007714	SPACER, FEEDER HOUSE BTM	140
F000007735	GROMMET, RUBBER	100
F000007742	BATTERY GROUND STRAP 12 VOLT	24
F000007744	PLATE,KNIFE	114
F000007756	PL, RH CHANNEL	230
F000007762	PLUNGER RAIL, LH BTM	106,110,114
F000007763	BAR,SIDE	106,110,114
F000007766	ANGLE, TOP RH	100
F000007767	PLUNGER RAIL, RH BTM	106,110,114
F000007799	MOUNTING, RH	16
F000007812	SIDE LINER, RH F/CHMB -16X22	106,110,114
F000007813	BAR,RH BTM	106,110,114
F000007816	PLATE, RH	106,110,114
F000007818	PLATE, LH	106,110,114
F000007819	BAR, BTM	106,110,114
F000007859	SCREW , TWINE KNIFE	178
F000007860	WASHER, KNIFE ARM	178
F000007868	HOLDER , TWINE	178
F000007870	CLEANER, TWINE DISC	178
F000007876	KNT WORM & SHAFT (COMPL ONLY)	178
F000007889	BASE	220
F000007890	PLATE, TOP	220
F000007891	TENSION ASSEMBLY, TWINE	218,220
F000007903	NEEDLE YOKE	210
F000007904	KEY	174,190
F000007911	HAY DOG TOP 370	124
F000007914	PIN	100
F000007917	RING, SNAP	104
F000007947	KNOTTER HOOK CAM ADJ SPRING	178
F000007948	SCREW, ADJUSTING HOOK CAM	178
F000007949	NUT, CAM ADJ. SCREW	178
F000007958	DRIVE SHAFT, TWINE FINGER	174
F000007959	BRACKET	174
F000007966	FEED FORK ASSEMBLY F/16" FRAME	128,136
F000007967	PLATE, TINE	136
F000007968	PLATE, CENTER TINE	136
F000007969	PLATE, TINE	136
F000007970	STRAP, INSIDE	136
F000007971	BAR, STRAP	136
F000007973	PLATE, HOLDER	212
F000007976	SNAP RING, F/KNIFE ARM SHAFT	178
F000007987	SHIELD F/KNOTTER CLUTCH	182
F000007988	SNAP RING	174,180
F000007991	SPINDLE	228
F000007993	BEARING CUP; INNER	228

Part No.	Description	Page No.	Part No.	Description	Page No.
F000007994	BEARING CONE; INNER	228	F000008209	ELBOW, MALE	168
F000007995	RETAINER, GREASE	228	F000008210	TANK/PUMP ASSEMBLY	164,168
F000007996	OUTER BEARING CUP	228	F000008221	CONNECTOR	168
F000007997	BEARING CONE; OUTER	228	F000008229	HOUSING ,BRG HSG	104
F000007998	WASHER F/WHEEL SPINDLE	228	F000008231	FRAME, FEED FORK	136
F000007999	NUT F/WHEEL SPINDLE	228	F000008247	WASHER	16
F000008000	HUB CAP - 8-HOLE HUB	228	F000008258	ROD, CONNECTING	130
F000008001	LUG BOLT; 8-HOLE HUB	228	F000008259	NUT, SWIVEL	130
F000008002	HUB ASSY, WHEEL	228	F000008262	SLEEVE	132
F000008003	HUB/SPINDLE ASSY; 8-HOLE	228,230	F000008263	BRACKET	104
F000008011	BEARING CUP	150	F000008264	BUMPER, RUBBER	140
F000008022	SHAFT	170	F000008274	ROLLER F/KNIFE ARM	178
F000008023	GUIDE WASHER	170	F000008275	SNAP RING F/KNIFE ARM ROLLER	178
F000008028	8-PLY FLOTION TUBELESS	228	F000008280	WASHER	178
F000008049	TWINE KNIFE	178	F000008287	FITTING	174
F000008050	KNIFE ARM COMPLETE	178	F000008288	FITTING	174
F000008051	KNOTTER HOOK CAM	178	F000008296	SPRING, TRIP ARM	132
F000008052	TWINE HOLDER SPRING	178	F000008301	CLAMPS, MINI WORM DRIVE	18
F000008054	KEY	174,180	F000008330	BOLT	164
F000008056	PAD, ADJ	100	F000008334	PLATE, WASHER	132
F000008057	PAD, ADJ	100	F000008335	PLATE,TWINE FINGER	164
F000008058	WIPE PLATE, PLUNGER	100	F000008336	SHAFT, DRIVE	148
F000008062	BRACKET, RIGHT REAR LIGHT	236	F000008337	SHAFT, DRIVE	148
F000008068	SPACER F/BILL HOCK PIN - .020	178	F000008338	DRIVE SHAFT ASSY	148
F000008069	SPACER F/BILL HOOK PIN .035	178	F000008368	PLATE, RH MOUNTING	174
F000008077	BEARING ,INNER RACE	104	F000008369	PLATE, LH MOUNTING	174
F000008078	CONNECTING ROD BUSHING-STEEL	104	F000008370	SHAFT	174,180
F000008083	BRACKET, CHAIN TIGHTNER	200	F000008375	PLATE, RH SHIELD	182
F000008084	ROD, CHAIN TIGHTNER	200	F000008377	SHIELD, INNER CHAIN	200
F000008086	BRACKET, CHAIN IDLER	200	F000008380	BEARING	150
F000008090	BRACKET	156	F000008383	FLANGETTE	150
F000008091	HYDRAULIC CYLINDER	156,160	F00001893A	HAY SAVER WHEEL ASSY W/O #30	158
F000008100	BEARING	104	F00001905A	WHEEL AXLE ARM - BUSHING TYPE	158
F000008104	ROD, GUIDE	124	F00007871	TWINE HOLDER DISC PINION	178
F000008105	GUIDE PIPE	124	F008058-14	WIPE PLATE, PLUNGER	100
F000008112	HOLD DOWN, CHAIN	200	FAF0024108	FEED ARM	132
F000008126	SHAFT, PIVOT	132	FAF2410800	PIVOT SHAFT ASSEMBLY	128,132
F000008127	HOUSING ASSEMBLY	132	FAN0000010	FAN 12VOLT	56
F000008129	PLATE, HSG CAP	132	FD00000020	DECAL; USE FREEMAN BULLGEAR..	82
F000008130	RING, RETAINING	132	FD00000044	DECAL; DIRECTION ARROW	82
F000008131	NUT, BRG	132	FD00003700	DECAL SET - PULL TYPE 370	242
F000008132	LOCKWASHER	132	FD00007112	FREEMAN DECAL, RED	202
F000008134	BEARING CONE	132	FD00007114	DECAL;D; FREEMAN (5 X 36 RED)	92,94,144
F000008135	SEAL	132	FD00007126	DECAL - NEEDLE ADJUSTMENT	232
F000008136	PLATE,DUST CAP	132	FD00008193	DECAL; AVOID EQUIPMENT DAMAGE	232
F000008139	TUBE, SLEEVE	132	FD00020864	DECAL; 370	144
F000008140	JAM NUT	130,132	FD00020864	DECAL; 370	144
F000008141	BUSHING 2 PAIR	132	FD00023473	DECAL, CAUTION	56
F000008144	TWINE FINGER BUSHING NUT	164	FD00023473	DECAL;B; CAUTION..... (9 1/4 X 10)	76
F000008146	TWINE FINGER WASHER	164	FD00023473	DECAL, CAUTION	92
F000008147	BUSHING, DRIVE ROD	164	FD00023473	DECAL, CAUTION	94
F000008148	PLATE,SHIELD BACK	76	FD00023473	DECAL, CAUTION( 9 1/4 X 10)	56,76,92,94,126
F000008152	PLATE,SHIELD	202	FD00023572	"SHIELDS ARE F/YOUR PROTECT..."	202
F000008153	BRACKET, CENTER CHAIN SHIELD	200	FD00023575	DECAL; DANGER! DO NOT RIDE..	144
F000008154	BRACKET, CHAIN SHIELD	200	FD00023581	"CAUTION! SHUT OFF MOTOR...."	92,94,202
F000008162	PLATE,SHIELD	148	FD00023583	DECAL, WARNING	204
F000008163	PLATE,SHIELD	148	FD00025126	DECAL; PICKUP HAZARD WARNING	126,144
F000008182	EXTENSION	230	FD00028146	DECAL	34
F000008184	WHEEL F/FLOTION TIRE 8-HOLE	228	FD00029195	DECAL	34
F000008187	PLATE, WASHER	132	FH00004907	END PLATE, FEEDER HOUSE	138
F000008189	VALVE, SHUT-OFF	22	FH00016370	FEEDER HOUSE ASSY	138,140
F000008196	TANK, AUTO LUBER	168	FH000200867	BACK PLATE, FEEDER HOUSE	138
F000008197	TANK COVER	168	FH00020198	PLATE, BOTTOM FEEDER HOUSE	138
F000008198	GASKET F/AUTO LUBER TANK	64,168	FH00020212	FEEDER HOUSE SECTION	138
F000008201	LUBER/KNOTTER SPROCKET	164	FH00020905	BACK SHEET, FEEDER HOUSE	138
F000008202	SPROCKET, PUMP DRIVE	174	FH00020987	AUGER TROUGH EXTENSION	138
F000008203	AUTO LUBER CHAIN SHIELD	164	FIL0009052	FILTER, IN-LINE	168
F000008205	BRACKET	164	FIL0010003	CAP, FILTER	52,168
F000008206	BRACKET, MOUNTING	164	FIL0023018	ELEMENT, FILTER	52

Part No.	Description	Page No.
FIL0120000	HEAD, FILTER	52
FLW0007127	FLYWHEEL ASSY	88
FRM037192E	FRAME 3 TIE 16" CHAMBER	232
FT00000050	PLATE, COVER	60
FT00000053	O-RING	66
FT00000054	PLUNGER	66
FT00000055	NUT	66
FT00000058	U-BOLT	66
FT00000087	PIN	66
FT00000165	PUMP DRIVE CHAIN AUTO LUBER	164
FT00000184	VALVE ASSEMBLY	66
FT00000188	ELBOW	66
FT00000191	HOSE, RETURN	60
FT00000192	BOX ASSEMBLY, BYPASS	66,60
FT00000193	COUPLER	64,66
FT00000194	BOX, BYPASS	66
FT00000216	TUBE ASSEMBLY	68
FT00000220	FITTING	68
FT00000221	HOSE ASSEMBLY	70,60
FT00000223	NIPPLE	66
FT00000224	TEE, FEMALE	66
FT00000225	HOSE ASSEMBLY	60
FT00000245	LEVER	66
FT00000252	CLAMP	66
FT00000252	HOSE CLAMP	60
FT00000277	RAM ASSEMBLY, DUAL	70,60,68
FT00000280	BYPASS ASSEMBLY, COMPLETE	66
FT00000282	RAM ASSEMBLY, SINGLE	70,72
FT00000530	FILLER BREATHER	60
FT00000546	FILTER, PUMP	64
FT00000547	CONTROL, PUMP	64,82
FT00000548	GASKET	64,82
FT00000549	FITTING	64,82
FT00000555	SPROCKET, DRIVE	60
FT00000556	DRIVE CHAIN, TENSION CONTROL	60
FT00015049	PUMP/TANK ASSEMBLY	60,64
FUS0030119	FUSE AND HOLDER	56
GAG0000001	GAUGE, TENSION CONTROLLED	52
GAG0001133	HOURLMETER	34,52
GAG0064051	GAUGE, SIGHT LEVEL	52
GER0006068	MODULAR CAM GEAR	174,180
GER0007128	PINION GEAR	86
GER0007873	HARDENED KNOTTER WORM PINION	178
GRD035979D	GUARD, FEEDER HOUSE	140
GRD036018E	GUARD, INNER PIPE LH	140
GRD036019E	GUARD, SIDE FEEDS CENTER	140
GRD036020E	GUARD, OUTER PIPE	140
GRL037309B	SUPPORT, LOWER GRILL	56
GRL037310E	GRILL, OIL COOLER	56
GSK3303009	GASKET	228
GUD0031463	BRACKET, LH	210
GUS0024467	PLATE, SUPPORT GUSSET	16
HAN0017239	BAR, HANDLE	216
HGR0022222	PICKUP HANGER, LH	148
HNG0000810	HINGE FOR TWINE BOX (PAIR)	216
HNG0007094	HINGE, DOOR SHIELD	40,42,234
HNG0020856	HINGE	144
HOS0006915	HOSE ASSEMBLY	48
HOS0007722	HOSE ASSEMBLY	48
HOS0022950	HOSE ASSY	70
HOS0027946	HOSE ASSEMBLY	60
HOS0034364	HOSE ASSEMBLY	4
HOS0034365	HOSE ASSEMBLY	4
HOS037371A	HOSE ASSEMBLY	48
HRN037162D	HARNES, HIGHWAY LIGHTING	236
HSN0027996	BRG HOUSING, AUGER	150
HSP0000004	HOSE PROTECTOR	60
HTB0030006	CAPSCREW	174,190
HTH0006675	HITCH HYDRO PTO (OPTIONAL)	6

Part No.	Description	Page No.
HTH0021097	BALL HITCH	2,6
HUB0007157	SHEAR HUB ASSY	88
HUB0070655	CAP, GREASE WALKING BEAM	228
HUB0102415	HUB	228
HUB0287130	HUB PACKAGE F/120"TRACK+1390	228
HYD0001571	FITTING	22
HYD0025371	FITTING	52
HYD0068030	FITTING	64,82
HYD0069033	FITTING	64,82
HYD5275032	FITTING	24
HYD5924040	NUT, BULKHEAD	6
HYD5924060	NUT, BULKHEAD	6
IDL0016315	PICKUP CHAIN IDLER F/370	148
JCK0178203	JACK, 5000LB, SIDEWIND	2
KIT0008214	TWINE KNOTTER SHAFT KIT	180
KNF0011157	PLATE, KNIFE	100
KNF0018468	KNIFE	110
KNF0021901	PLATE, KNIFE	100
KNF1115715	PLATE, KNIFE	100
KNT0032132	BAR	172,188
KNT0060060	KNOTTER FRAME ONLY	178
KNT006006A	HEAD ASSEMBLY-W/ BUSHINGS	174,178,180
KPR0020740	KEEPER	174
LEV0013885	BAR, LEVER	2,6
LEV0015639	LEVER	210,212
LEV0023762	LEVER	12
LEV0025133	LEVER ASSEMBLY	174,190
LEV0035616	LEVER PLATE, TWINE FINGER	190,198
LIT0001815	LAMP, BAYONET	34
LIT037163B	LIGHT ASSY, LH HIGHWAY	236
LIT037164B	LIGHT ASSY, RH HIGHWAY	236
LIT1250410	BASE, LAMP	34
LIT1251131	LENS, RED	34
LIT7189802	LIGHT, WORK	236
LNK0000523	CONNECTING LINK - BL523	148
LNK0009636	BRACKET ELECT PICKUP LIFT F/HYD	148
LNK0016320	LINK	148
LOK0005857	PLATE, LOCK	100
LTH0011229	BAR, LATCH	2
LTH0011229	BAR,LATCH	6
LTH0011231	BAR, LINK	2,6
LUB0007600	TANK & PUMP ASSEMBLY, LUBER	80
LUB0070328	MANIFOLD ASSEMBLY	76,78
LUB0323060	FITTING, PRESSURE	56,78
LUB0833116	MANIFOLD	174
MLD7500317	MOLDING	204
MNT0000001	KIT, SIGN MTG	242
MNT0011313	ANGLE, MOUNTING	150
MNT0011400	PLATE, MOUNTING	148
MNT0018340	BELLY PAN	28
MNT0020484	HAY SAVER MOUNT	158
MNT0022379	MOUNTING, RH	148
MNT0023007	BAR, MOUNTING	150
MNT0023153	ENGINE MNT, LH	16
MNT0024671	PLATE, CONTROL BOX	12
MNT0033273	MOUNT, INDICATOR	224
MNT0033556	MOUNT, STRIPPER PICKUP, LOWER	150
MNT0033557	MOUNT, STRIPPER PICKUP, TOP	150
MNT0050025	KNOTTER FAN SHROUD MOUNT	204
MNT0204840	HAY SAVER MNT W/PIN 70"	158
MNT032033	BAR, MOUNTING	18
MNT036760B	BRACKET, MOUNTING	36
MNT037222A	PLATE, MOUNTING	164
MNT037346D	MOUNTING	188
MNT037760B	PLATE, SUPPORT	60
MNT2048400	MOUNT & ARM ASSY	158
MSR006140Y	MARKER STRIP	36
MTR0074418	MOTOR ASSY, HYDRAULIC	52
NYL0001250	TUBE	100,104,164,174



Part No.	Description	Page No.	Part No.	Description	Page No.
PAD0018804	TENSION RAIL SUPPORT PAD	60,204	ROD0020044	ROD	164
PAD0025218	PAD	124	ROD0034342	PLATE,CONN ROD	104
PAD0025219	PAD	124	ROD0035670	ROD	212
PCY0020861	RH FENDER ASSEMBLY -P/U 370	150	ROD035984B	ROD, DRIVE	210,212
PCY0033352	SPACER	150	ROD037018B	ROD ASSEMBLY, DRIVE	184
PCYSPEC370	PICKUP ASSY,SUPER SWEEP	148,150	ROD037256B	TWINE FINGER DRIVE ROD	198
PIN0007831	PIN, ROLL	100	ROP0000012	SASH CORD, #12 PREMIUM	2
PIN0008670	CONNECTING ROD PIVOT PIN-GR 8	104	RS00001514	ROLL PIN, BILL HOOK	178
PIN0018402	LOCK PIN ASSEMBLY	2	RS00003786	TRIGGER, BILL HOOK	178
PIN0018909	TONGUE PIVOT PIN	2	RS00006002	BUSHING , BILL HOOK	178
PIN0020739	PIN	174	RS00006003	TWINE DISC BUSHING F/KNT60060	178
PIN0024065	PIN,FEED ARM CRANK	128,132	RS00006015	BILL HOOK STANDARD	178
PIN0035710	PIN ASSEMBLY	96	RS00006035	BILL HOOK, OPTION LARGER	178
PLF0008206	BRACKET, LIFT ARM PICKUP LIFT	160,162	RS00006085	RETAINER , TWINE DISC	178
PLF0018168	BRACKET, ANCHOR 16" CHAMBER	160,162	RS00010500	WASHER	178
PLF0021082	BRACKET, ANCHOR 14" CHAMBER	162	RS00602201	BUSHING, KNIFE ARM	178
PLF0021088	BRACKET, ANCHOR 15" CHAMBER	162	RS03451926	PIN F/BILL HOOK CAM & SPRING	178
PLF0026952	LEVER	16	RS206377212	KNIFE ARM PIN COMPLETE	178
PLF0026952	LEVER 1	52	RS20637722	PIN, KNIFE ARM PIN	178
PLF0820700	LIFT ARM - ELECTRIC P/U LH	160,162	RS20661120	LOCKWASHER, F/KNIFE ARM PIN	178
PLF0820701	LIFT ARM - ELECTRIC P/U RH	160,162	RS331112051	NUT, F/KNIFE ARM PIN	178
PLG0007839	MOUNTING, RH REAR	100	SAL0000004	METER WHEEL ASSEMBLY	164,184,170
PLG0007840	ANGLE, RH FNT	100	SAL0000005	TRIP MOUNT ASSEMBLY	164
PLG0018049	WIPE PLATE, PLUNGER	100	SAL0000007	DRIVE CHAIN ASSEMBLY, P/U	148,156
PLG0020660	MOUNTING, LH BTM	100	SAL0000580	MOUNTING ASSY, KNOTTER TRIP	184
PLG0026593	BAR, RH BTM	106,110,114	SAL3700003	KNOTTER ASSEMBLY, RASPE	164,174
PLG0031402	PLUNGER FRAME	100	SALPT00023	CONTROL BOX ASSEMBLY	10,12
PLG0031736	PLUNGER FRAME	100	SALWGKNT03	KNOTTER SUBASSEMBLY, WELGER	184,190
PLG035987D	BAR, LH UPPER RAIL	106,110,114	SCC0000508	CAPSCREW	162
PLG036078F	PLUNGER FRAME	100	SCCM010025	KNOT FRAME MOUNTING BOLT	194
PLT0011228	TONGUE LATCH PLATE	2,6	SDR0RA9320	SENDER, FLUID LEVEL	22
PLT0022382	PICKUP LIFT SPRING PLATE -270/370	148	SEL006506U	SEAL	228
PLT0026966	PL, SPACER	230	SGN0024006	SIGN, "SLOW MOVING VEHICLE"	242
PLT0035077	BAR, UPPER	60	SHD0006253	RH FENDER FLARE-60"+70" P/U	150
PLT0163040	SIDE PLATE ASSEMBLY, LH	96	SHD0006906	PLATE, MOUNTING	126
PLT0163070	SIDE PLATE ASSEMBLY, RH	96	SHD0007002	PLATE, SHIELD	126
PLU0009292	PLUG, PLASTIC	38	SHD0007096	PLATE, LATCH	140
PMP0000003	AUTO LUBER PUMP	168	SHD0008028	PLATE,SHIELD FRONT	76
PMP0077021	HYDRAULIC PTO PUMP & GEARBOX	48	SHD0008040	SHIELD ASSEMBLY	202
PNT0085125	ONE GALLON WHITE BALER PAINT	242	SHD0011063	BELT SHIELD EXTENSION-HYD & ENG	94
PNT0085350	ONE GALLON RED BALER PAINT	242	SHD0011309	PLATE, LH	150
PPE0000001	FITTING	56	SHD0014244	PLATE,SHIELD	148
PPE0000750	NIPPLE, PIPE	52	SHD0016332	PLATE, BRACE	126
PPE0014000	ELBOW, PIPE	78	SHD0017231	PLATE, LH SHIELD	144
PPE0040250	TEE, PIPE	56,78	SHD0020829	PLATE, EXT	150
PPE0075900	FITTING	52	SHD0020832	PLATE, RH	150
PPE1000500	NIPPLE, PIPE	52	SHD0023680	SHIELD, CHAIN DRIVE	154
PPE2505000	NIPPLE	56,78	SHD0028273	PLATE, SHIELD	28
PPE3752500	NIPPLE	82	SHD0035692	SHIELD, ALT BELT	38
PPE7500600	NIPPLE, PIPE	52	SHD0086480	SHIELD ASSEMBLY	74
PRP0010000	PROP FOR TWINE BOX LID	216	SHD037321D	PLATE, FNT SHIELD	144
PUL0006630	PLATE, SHEAVE	52	SHD037322B	PLATE, SHIELD	144
R13597	FITTING	52	SHF0007132	SHAFT, PINION	86
R14337	STRAINER, SUCTION	52	SHF0018480	SHAFT, PICKUP REEL	150
R1574466	BEARING, SEALED SELF ALIGNED	104	SHF0021219	DRIVESHAFT	156
R4510197	RELAY	34	SHF0033356	SHAFT, PIVOT	150
R525293	MAGNET, CERAMIC	52	SHF0033685	DRIVE SHAFT , TWINE FINGER	198
R616841	BUSHING	150,174,180	SHF0035600	SHAFT, KNOTTER	190
R12565833	HOSE ASSEMBLY	80	SHM0000103	SHIM, 3/8"	174,180
RD00708600	TRUSS ROD -41"	230	SHM0000105	SHIM, .020"	174
RES0045015	RESISTOR	34	SHM0000105	SHIM, .020"	180
RES0832127	RESISTOR	36	SHM0001250	SHIM	164
RIV0000604	RIVET	234	SHM0001875	SHIM	164
RIV0000606	RIVET	56,144	SHM0034534	SHIM, KNIFE,PLATE	100
RNG0002342	O-RING, TENSION CYL.	68,72	SHM0034535	SHIM, KNIFE,PLATE	100
ROD0000001	ROD END, PLUNGER STOP DOG	210,212	SHM0115770	BAR, SHIM	100
ROD0013505	PISTON ROD, TENSION CYLINDER	68,72	SHM0115771	PLATE, SHIM	100
ROD0013590	SPRING ROD	132	SHM0115772	PLATE, SHIM	100
ROD0016321	ROD, ADJUSTING	148	SHM0163090	SHIM	96

Part No.	Description	Page No.	Part No.	Description	Page No.
SHM0163091	SHIM	96	TERSSP561V	PLUG, TERMINAL	56
SHM0163092	SHIM	96	TIR0000002	TIRE & WHEEL ASSY; HIGHWAY TIRE	228
SHM0163093	SHIM	96	TIR0165161	10 PLY TIRE	228
SHM037349B	SHIM, 3/16" PIVOT PLATE	184	TIR7501608	10 PLY- HIGHWAY TIRE	228
SHM037350B	SHIM, 1/8" PIVOT PLATE	184	TNS0007049	ANGLE	60
SHM037779B	SHIM	184	TNS0007050	ANGLE	60
SHM0800400	SHIM, PINION 20GA	84	TNS0013280	RAM FRAME, 3-TIE TENSION	68,72
SHM0800401	SHIM, PINION 16 GA	84	TNS0018902	RAIL, LH	60
SHM0800402	SHIM, PINION 10 GA	84	TNS0018903	RAIL, RH	60
SHM2406700	SHIM, BRG	130	TNS0022284	TENSION RAIL, TOP	60
SHM2406701	SHIM, BRG	130	TNS0034362	RAIL, BOTTOM TENSION	60
SHM2406702	SHIM, BRG	130	TRA0044002	TRANSISTOR	36
SHR036954D	PLATE, LH SHROUD	56	TTH0033171	PICKUP TOOTH	150
SHR037304E	BULLGEAR SHIELD/OIL COOLER	48	TUB0000650	TUBE	168
SHR037305E	PLATE, SHROUD	56	TUB0001800	TUBING	36
SHR037306D	TOP, OIL COOLER SHROUD	56	VLV0000001	VALVE, RELIEF	52
SHR037307B	BACK, OIL COOLER SHROUD	56	VLV0000415	STEM, VALVE	228
SHR037308B	BAFFLE, OIL COOLER SHROUD	56	VLV0075005	VALVE, CHECK	52
SOK0000007	SOCKET BOOT	236	WAS0011459	TOOTH BAR BRG WASHER	150
SOK0012310	ELECTRICAL SOCKET, 7 POLE	236	WAS0015783	BUSHING	150
SOK5108401	TRANSISTOR SOCKET	36	WAS037715A	KNOTTER WASHER	198
SPC0017669	SPACER	150	WEA0005650	WEATHER STRIP	18
SPC0018514	BAR, SPACER	110,114	WEA037324A	WEATHER STRIP	56
SPC0018515	SPACER	110,114	WEA037325A	WEATHER STRIP	56
SPC0018516	BAR, SPACER	110,114	WES0000375	STAR WASHER-PLATEAIN	170
SPC0018517	PLATE, FNT SPACER	110,114	WHL0000002	FLOAT TIRE WHL ASSY -8 -HOLE	228
SPC0018519	BAR, SPACER	110,114	WHL0106897	WHEEL F/IMP&HWY TIRE 8-HOLE	228
SPC0024066	SPACER	130	WHL0108191	WHEEL F/120" TRACK	228
SPC0031139	SPACER	230	WIR0150072	WIRE	12
SPC0031363	SPACER, PLATE	140	WLG0000001	KNOTTER TWINE GUIDE PLATE	184,198
SPC0033118	SPACER	96,184	WLG0000002	GUIDE SPRING	184,98
SPC035753B	BAR	110,114	WLG0000003	STOP SPRING	184,198
SPC036500B	PLATE	140	WLG0000005	ANGLE SPRING	184,198
SPG0007095	SPRING, HOOD LATCH	140	WLG0000006	SPRING, KNOTTER TWINE PULLER	212
SPG0013399	SPRING, TENSION CONTROL	66	WLG0001000	KNOTTER COMPLETE	194
SPG0013400	SPRING, BYPASS CHECK PIN	66	WLG0001001	MAIN CAM GEAR (W/BRG FLANGE)	194
SPG0020662	SPRING, PLUNGER LATCH	210,212	WLG0001002	MAIN CAM GEAR	194
SPG0023160	SPRING, HAY DOG 375	124	WLG0001004	BEARING FLANGE	194
SPK0002318	IDLER SPROCKET F/ 370 PICKUP	150	WLG0001005	BEARING	194
SPK0004030	SPROCKET, PINION SHAFT	86	WLG0001006	BEARING SNAP RING	194
SPK0021220	SPROCKET ASSEMBLY	156	WLG0001008	BEARING SHIM 0.2 MM	194
SPK0040030	SPROCKET, PICKUP AUGER 370	150	WLG0001009	BEARING SHIM 0.3 MM	194
SPK0040045	SPK-PICKUP AUGER -"REV TAPER"	150	WLG0001010	KNOTTER FRAME, INCLUDES 2-10	194
SPN0028764	LH SPINDLE ASSY-120"-AFT/7-94	228	WLG0001011	BUSHING, FRAME UPPER	194
SPN0030824	SPINDLE WLDMT,*C; WALKING BEAM	228	WLG0001012	BUSHING, TWINE HOLDER	194
SPN0287640	120" TRACKING SPINDLE & HUB ASSY	228	WLG0001013	BUSHING, BILLHOOK	194
SPN1024150	HUB/SPINDLE ASSY WALKING BEAM	228	WLG0001014	BUSHING, TENSION LEVER	194
STN0004937	PLATE, MOUNTING	10	WLG0001015	O-RING SEAL FOR WLG0001014	194
STN0004939	BRACKET, CONTROL BOX STAND	10	WLG0001016	ROLL PIN, TWINE CLAMP	194
STN0004941	STAND, TENSION CONTROL	10	WLG0001017	BILL HOOK TRIGGER CAM ROLL PIN	194
STO0022419	BAR, STOP	174,190	WLG0001018	BILL HOOK TRIGGER PRES SPG BOLT	194
STR0033500	PLATE, STRIP	150	WLG0001019	TRIGGER PRESSURE PLATE	194
STR0033501	PLATE, STRIPPER	150	WLG0001020	TRIGGER PRESSURE SPRING	194
STR0033502	PLATE, STRIPPER	150	WLG0001021	TRIGGER PRESSURE SPRING NUT	194
STS1032251	SET SCREW	12	WLG0001022	BILL HOOK TRIGGER CAM	194
STS3125313	SET SCREW	100	WLG0001023	TWINE HOLDER THRUST BEARING	194
STS3750375	SET SCREW, SOCKET	170	WLG0001024	BILL HOOK THRUST WASHER	194
STS5000250	SET SCREW	128	WLG0001025	KNOT FRAME BOLT 10 X 30 MM	194
STS5000500	SET SCREW	128	WLG0001026	DISC SPRING 12 MM	194
STS5000750	SET SCREW	28	WLG0001027	KNOTTER FRAME SHIM 0.3 MM	194
SUP0017229	BRACKET	144	WLG0001034	PINION	194
SUP0017230	PLATE, SHIELD	144	WLG0001038	TWINE HOLDER WITH KNIFE	194
SUP0018768	SUPPORT	140	WLG0001039	TWINE HOLDER KNIFE	194
SUP0023008	SUPPORT, FEEDER HOUSE	138	WLG0001040	TWINE HOLDER KNIFE COVER	194
SUP0024161	SUPPORT, KNOTTER FAN	204	WLG0001041	BOLT	194
SUP0031138	CHANNEL WLDMT,SUPT	230	WLG0001042	TWINE HOLDER CLAMP	194
SWI0001140	SWITCH, IGNITION	34	WLG0001046	LEAF SPRG TENSION LEV (COMPL)	194
TBX0020849	TUBE	214	WLG0001047	TENSION LEVER (WITH PIN ONLY)	194
TER0604142	TERMINAL	34	WLG0001048	TENSION LEVER	194

## PARTS INDEX

252

Part No.	Description	Page No.	Part No.	Description	Page No.
WLG0001049	TENSION LEVER PIN	194			
WLG0001050	TENSION LEVER ROLLER	194			
WLG0001051	SNAP RING	194			
WLG0001052	BALE FORM TWN HLDR CLAMP BOLT	194			
WLG0001053	LOCK NUT FOR WLG0001052	194			
WLG0001055	COTTER PIN	194			
WLG0001056	CLAMP, TWINE HOLDER	194			
WLG0001057	TYING PRESSURE SPRING	194			
WLG0001058	TYING BOLT ADJUSTMENT BRACKET	194			
WLG0001059	TYING PRESSURE BOLT	194			
WLG0001062	LOCKWASHER	194			
WLG0001063	PIN, EXPANDING	190			
WLG0001063	PIN, EXPANDING	194			
WLG0001064	BOLT	190,194			
WLG0001065	NUT - WELGER KNOTTER	190			
WLG0001066	WASHER	190			
WLK0000313	LOCKWASHER	162			
WLK0000573	HEAVY WASHER, LOCK	228			
WLK0002237	HEAVY STAR WASHER, LOCK	228			
WRN035826B	WRENCH, FEED FORK PIVOT SHAFT	242			
WRN036554B	WRENCH, FOR BEARING LOCKNUT	242			
Y01C-0532	CAPSCREW	204			
Y01E-M10	LOCKWASHER	194			
Y076800-342	BACKUP RING	68,72			
Y161248.1	BUSHING	184			
Y435241.047	RING RETAINING	130			
YOK0024055	YOKE, SWIVEL	130			
YOK0024056	YOKE, BRG BLOCK	130			
YOK003716	NEEDLE YOKE	212			
ZZ00000200	BUSHING	100			
ZZ000002008	SET COLLAR W/SCREWS	88			
ZZ00000201	BUSHING	132			
ZZ00000203	BUSHING	100			
ZZ00000204	BUSHING	96			
ZZ00000206	BUSHING	132			
ZZ00000207	BUSHING	130			
ZZ00000208	BUSHING	210			
ZZ00000208	BUSHING	212			
ZZ00000209	BUSHING	96			
ZZ00000210	BUSHING	172			
ZZ00000210	BUSHING	188			
ZZ00000211	BUSHING	210,212			
ZZ00000228	BUSHING	156			
ZZ00000418	KEY	150			
ZZ00000419	KEY	174,190			
ZZ00000428	KEY	150			
ZZ00000445	KEY	148			
ZZ00000456	KEY	128			
ZZ00000459	KEY	200			
903507	DRAW BAR INSTALLATION	2			
900704	ENGINE, COMPLETE	28			
903907	CONTROL BOX ASSEMBLY	34			

## **CALIFORNIA**

**Proposition 65 Warning  
Diesel engine exhaust and some  
of its constituents are known to  
the State of California to cause  
cancer, birth defects, and other  
reproductive harm.**

INTENTIONALLY LEFT BLANK



To find a dealer in your area,  
Call: 503-625-2560,  
Fax: 503-625-7269, or

Visit our website: <http://www.alliedsystems.com>

**Allied Systems**  
COMPANY

PB03702009  
Rev: 10/2016  
Printed in USA