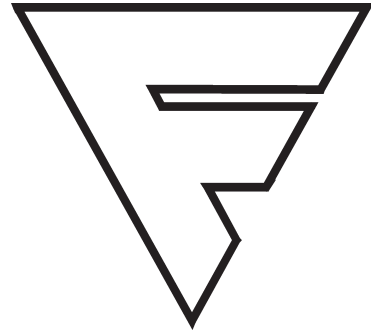


# FREEMAN

---



## PARTS MANUAL 1592D BIG BALER

## SAFETY

Allied systems co. is concerned with safety. Freeman equipment is furnished with safety features. Even with these safety features, personal injury can still occur if the operator is careless when operating or maintaining the machine. There are "CAUTION," "DANGER," and "BE CAREFUL" decals on the machine. Read and pay attention to the decals. Following is a list of precautions that should be taken to help prevent personal injury:

1. KEEP ALL SHIELDS IN PLACE.
2. SHUT OFF TRACTOR ENGINE BEFORE ADJUSTING, LUBRICATING, CLEANING OR SERVICING THE BALER.
3. WAIT FOR ALL MOVEMENT TO STOP BEFORE SERVICING BALER.
4. KEEP HANDS, FEET, AND CLOTHING AWAY FROM POWER DRIVEN PARTS.
5. KEEP ALL SHIELDS INSTALLED AND KEEP CLEAR OF THE P.T.O. DRIVE LINE.
6. KEEP ALL OTHERS OFF BALER.
7. USE APPROPRIATE SIGNS OR WARNING LIGHTS WHEN OPERATING ON HIGHWAYS.
8. MAKE CERTAIN EVERYONE IS CLEAR OF BALER BEFORE ENGAGING P.T.O.
9. DO NOT RIDE ON ANY PART OF THE BALER WHILE IN OPERATION.
10. KEEP HANDS AND FEET CLEAR OF PICKUP.
11. KEEP HANDS AWAY FROM KNOTTER WHEN BALER P.T.O. DRIVE IS ENGAGED.
12. PERIODICALLY CHECK ALL NUTS AND BOLTS FOR TIGHTNESS.
13. ALWAYS USE LIGHTS FOR NIGHT WORK.
14. AS A SAFETY PRECAUTION IT IS RECOMMENDED THAT AN "ABC" FIRE EXTINGUISHER BE CARRIED ON THE BALER AT ALL TIMES. IT IS ALSO RECOMMENDED TO CARRY A FOUR GALLON WATER CONTAINER WITH PUMP, OR AS REQUIRED BY LOCAL AND STATE LAW.
15. AVOID LOOSE CLOTHING WHICH CAN EASILY BE CAUGHT IN MOVING PARTS.
16. REMEMBER 'SAFETY' IS ONLY A WORD UNTIL IT IS PUT INTO PRACTICE.



**WARNING: SOME ILLUSTRATIONS IN THIS PARTS LIST SHOW THE BALER WITHOUT SHIELDS TO ALLOW FOR A BETTER VIEW OF THE AREA BEING ADDRESSED. THE BALER SHOULD NEVER BE OPERATED WITH ANY OF THE SAFETY SHIELDS REMOVED.**

## INTRODUCTION

### HOW TO USE THE MANUAL

This manual contains illustrations and parts lists of components and assemblies which make up the machine. Each page consists of the name of the assembly or component, a reference number, part number, part name and the quantities of the part used.

Assembly or component names help identify the illustration and parts list for each figure. This name also helps locate the general area of the machine where the assembly or component can be located.

Reference numbers shown in a column refers to the numbered parts in the illustration. This ties the part in the illustration to the part

number and description in the parts list. Part numbers are used to identify individual parts or part assemblies

Part descriptions provide the name of the part, plus additional information such as dimensional specification and what parts are grouped together to form part assemblies, which helps you identify the parts.

Quantities listed for each illustration are only for that assemble or component and not the total used per machine.

This parts manual is not intended to be a complete guide for machine service or repairs. Contact your dealer for any of your service or technical requirements.

### UPDATING AND REORDERING MANUALS

The parts lists, illustrations and specifications in this manual are based on the latest information available at the time of publication. Your machine may have product improvement and options not yet contained in this manual.

A copy of this manual is supplied with each machine. Additional copies are available through you dealer. When ordering additional manuals, use the reorder number listed on the front cover and the quantity needed.

### ORDERING PARTS

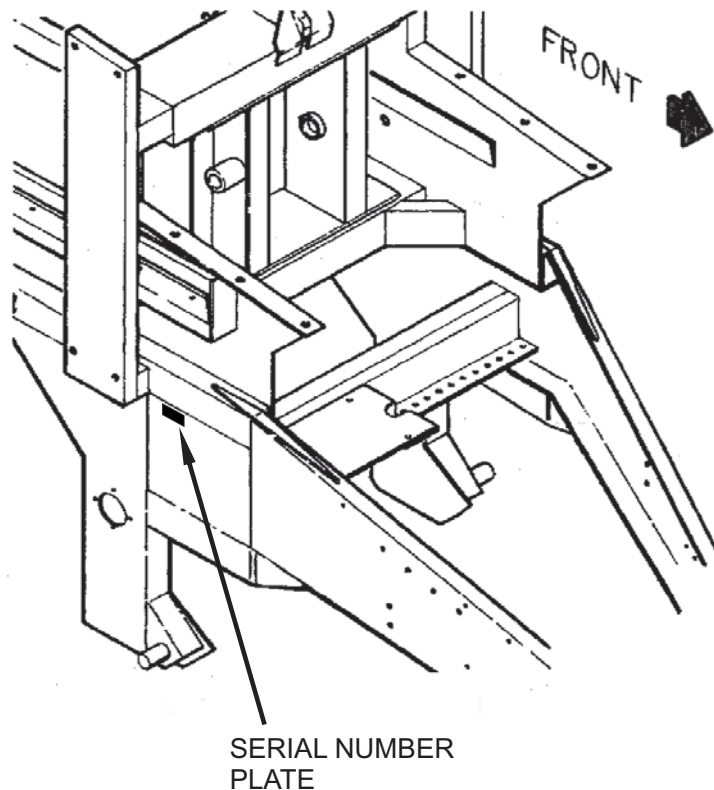
When ordering replacement parts, give the unit serial number, part number, name of part and quantity required. For any further information on parts, service or ordering, consult your local Freeman dealer.

Intentionally Blank

## SERIAL NUMBER LOCATION AND IDENTIFICATION

### SERIAL NUMBER LOCATION

The serial number is an important piece of information about the machine and it may be necessary to know it before obtaining correct replacement part. The serial number is located on the right, front tongue brace as shown.



FREEMAN S/N: ASC-1592-007 through ASC-1592-010



**WARNING: SOME ILLUSTRATIONS IN THIS PARTS LIST SHOW THE BALER WITHOUT SHIELDS TO ALLOW FOR A BETTER VIEW OF THE AREA BEING ADDRESSED. THE BALER SHOULD NEVER BE OPERATED WITH ANY OF THE SAFETY SHIELDS REMOVED.**

**NOTE: ILLUSTRATIONS ARE FOR "ORDERING" INFORMATION ONLY, AND ARE NOT INTENDED FOR USE AS AN ASSEMBLY GUIDE.**

## TABLE OF CONTENTS

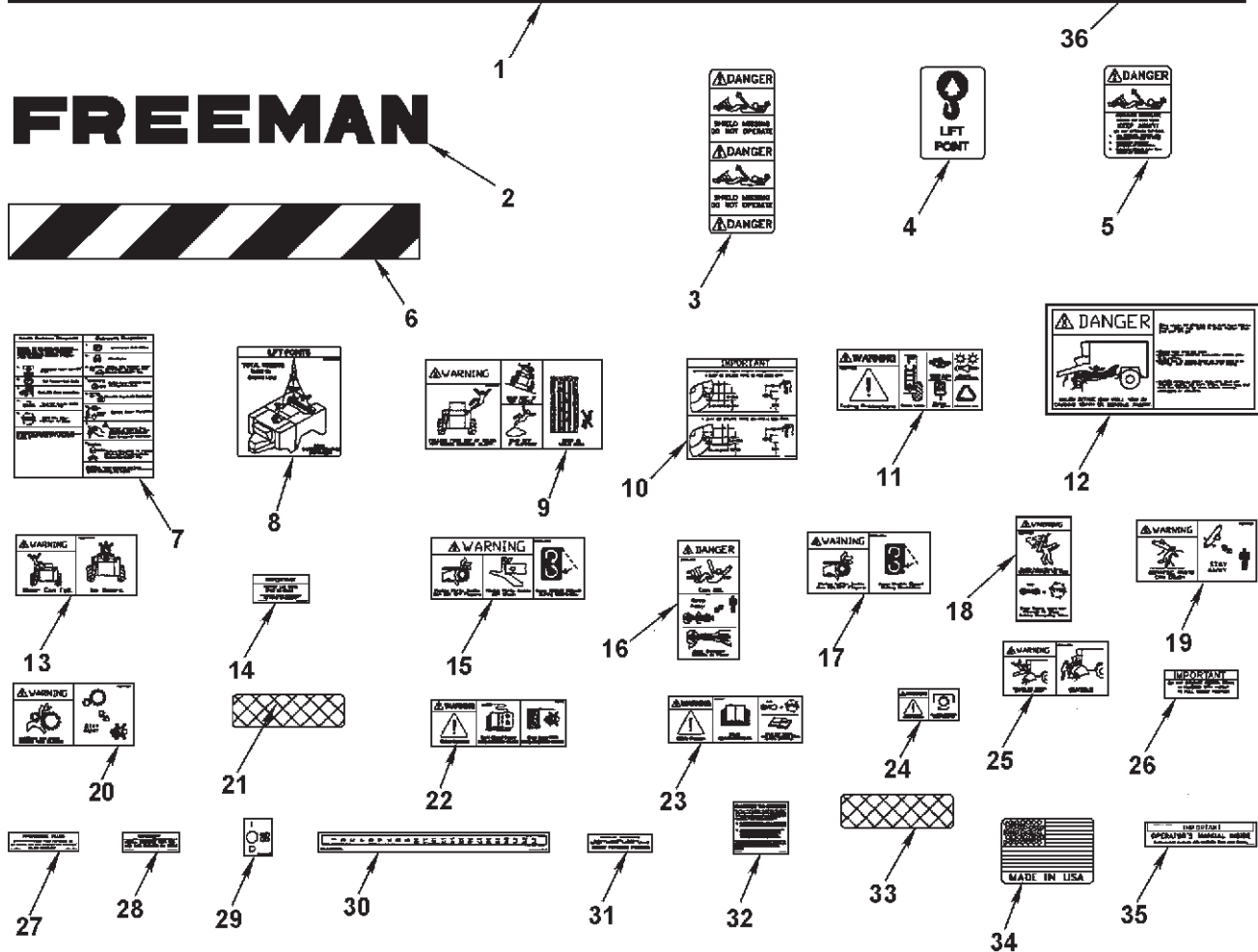
3-PIECE P.T.O. DRIVE LINE ASSEMBLY .....	42
BALE CHUTE ASSEMBLY (ROLLER) .....	18
BALE CHUTE ASSEMBLY (STANDARD) .....	16
BALE LENGTH ADJUSTMENT MECHANISM ASSEMBLY .....	98
BALL HITCH ASSEMBLY .....	36
BATTERY AND LIGHTS ASSEMBLY .....	142
CHAMBER LINERS TOP .....	14
CHAMBER LINERS BOTTOM .....	16
CONTROL PANEL ASSEMBLY .....	138
DECAL ASSEMBLY .....	2
DECAL LOCATION DIAGRAM .....	4
DRIVE UNIT SHIELDS ASSEMBLY .....	32
FEED FORK ASSEMBLY .....	64
FEED FORK DRIVE ASSEMBLY .....	72
FEEDER AND PICKUP DRIVE ASSEMBLY .....	69
FEEDER CRANK AND TINES ASSEMBLY .....	60
FEEDER CRANK ASSEMBLY .....	62
FULL FEED SENSOR ASSEMBLY .....	88
HYDRAULIC PICKUP LIFT ASSEMBLY .....	58
INFEED CHUTE ASSEMBLY .....	66
KNOTTER AND FEED FORK MANIFOLD VALVE/HOSE ASSEMBLIES .....	106
KNOTTER BRAKE ASSEMBLY .....	76
KNOTTER DOUBLE ASSEMBLY .....	80
KNOTTER DRIVE .....	84
KNOTTER LUBER ASSEMBLY .....	82
KNOTTER SHAFT ASSEMBLY .....	78
KNOTTER SLOWDOWN MANIFOLD AND CONTROLS .....	108
LOWER FRONT SHIELDS ASSEMBLY .....	24
LUBER PUMP & TANK ASSEMBLY .....	86
MAIN FRAME ASSEMBLY .....	6
MAIN SYSTEM HOSE ASSEMBLIES .....	104
MAIN SYSTEM HYDRAULIC FILTER COMPONENTS .....	122
MAIN SYSTEM HYDRAULICS ASSEMBLY .....	100
MAKE-UP CYLINDER COMPONENTS .....	128
MECHANICAL DRIVE UNIT ASSEMBLY .....	46
MECHANICAL DRIVE UNIT ASSEMBLY CONTINUED .....	48
NEEDLES AND NEEDLE YOKE ASSEMBLY .....	74
OIL COOLING SYSTEMS AND GAUGE PANEL ASSEMBLIES .....	124
OPTIONAL ROLLER BALE CHUTE ASSEMBLY .....	24
P.T.O. CLUTCH ASSY ASSEMBLY .....	44

---

## TABLE OF CONTENTS

P.T.O. SHAFT ASSEMBLY.....	38
P.T.O. SHAFT ASSEMBLY .....	40
PART INDEX .....	146
PICKUP AND FEEDER CONTROL VALVE ASSEMBLY .....	68
PICKUP AUGER AND DRIVE COMPONENTS ASSEMBLY .....	56
PICKUP LIFT CYLINDER COMPONENTS .....	134
PICKUP REEL COMPONENTS ASSEMBLY .....	52
PICKUP SHIELDS AND MOUNTS ASSEMBLY .....	54
PLUNGER ASSEMBLY .....	12
PLUNGER CYLINDER COMPONENTS .....	126
PLUNGER CYLINDER VALVE ASSEMBLY .....	102
PLUNGER CYLINDERS AND MOUNTS ASSEMBLY .....	10
PLUNGER, FEEDER AND KNOTTER HOSE ASSEMBLIES .....	110
REAR CHAMBER AND BALE CHUTE ASSY .....	22
REMOTE CONTROL ASSEMBLY .....	140
RESERVOIR ASSEMBLY .....	120
SERVICE LADDER AND HANDRAILS ASSEMBLY .....	34
SHIELDS AND DOORS ASSEMBLY .....	22
SIDE SHIELDS AND DOOR SUPPORTS ASSEMBLY .....	20
SIDE TENSION CYLINDER COMPONENTS .....	132
TENSION CONTROL HOSE ASSEMBLIES .....	112
TENSION CONTROL TUBE ASSEMBLIES .....	114
TENSION RAILS ASSEMBLY .....	8
TENSION SYSTEM HOSE ASSEMBLIES .....	116
TIRE AND WHEEL ASSEMBLY .....	144
TOP AND BOTTOM TENSION CYLINDER COMPONENTS .....	130
TOP COVERS AND KNOTTER FANS ASSEMBLY .....	30
TOP TWINE BOX ASSEMBLY .....	28
TWINE BOXES AND BRACKETS ASSEMBLY .....	26
TWINE FINGER DRIVE ASSEMBLY .....	90
TWINE TENSION ASSEMBLY (BOTTOM).....	92
TWINE TENSION ASSEMBLY (TOP) .....	94
TWINE TENSIONER ASSEMBLY .....	96
UNLOADER VALVE COMPONENTS .....	118
WIND GUARD ASSEMBLY .....	50
WIRE HARNESS LOCATIONS .....	136

DECAL ASSEMBLY

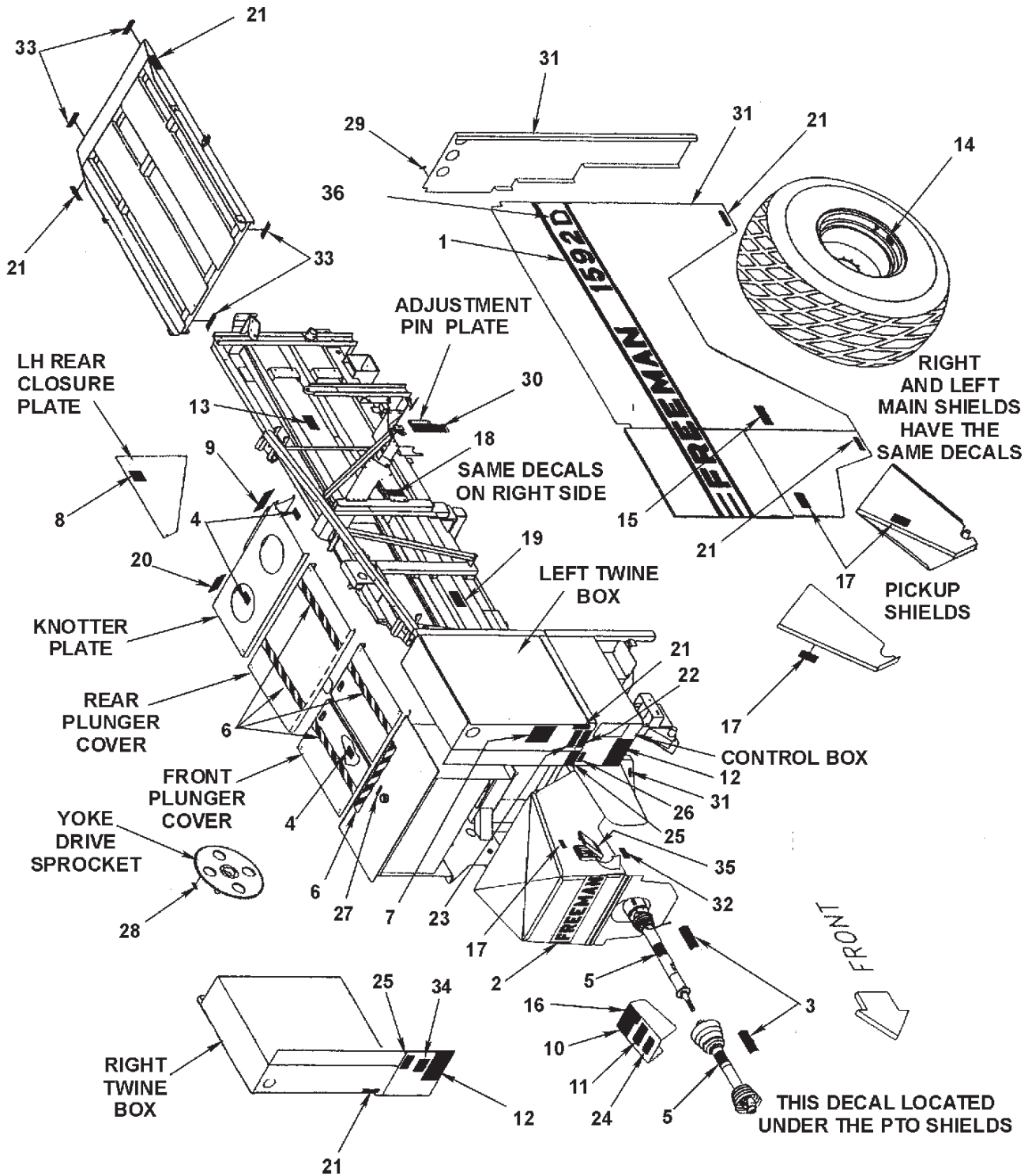




## DECAL ASSEMBLY

REF NO.	PART NO.	DESCRIPTION	QTY. USED	REF NO.	PART NO.	DESCRIPTION	QTY. USED
1	FD 0024865	L. H. FREEMAN 1592 DECAL	1	18	FD7000A934	DECAL-WARNING NEEDLE FRAME	2
	FD 0024866	R. H. FREEMAN 1592 DECALS	1	19	FD7000A923	DECAL-WARNING FORK CRANK	2
2	FD 0007111	25" X 4" WHITE "FREEMAN" DECAL	1	20	FD7000A936	DECAL-WARNING KNOTTERS	2
3	FD70000108	DECAL-KEEP SHIELDS IN PLACE	2	21	FD70000722	DECAL-YELLOW REFLECTOR STICKON	8
4	FD70000445	DECAL-LIFT POINT	3	22	FD7000A932	DECAL-WARNING READ MANUAL	1
5	FD 0023531	"DANGER! ROTATING DEVICE..."	2	23	FD7000A937	DECAL-WARNING ALLOW TO STOP	1
6	FD0505626	DECAL-TAPE BLK/YELLOW 3"	14'	24	FD7000A944	DECAL-TOWING PRECAUTION	1
7	FD7000A961	DECAL-SHUTDOWN DIAGNOSTIC	1	25	FD7000A925	DECAL-WARNING USE LADDER	2
8	FD 0025249	DECAL-HOIST BALER-LIFT POINTS	1	26	FD 0029854	DECAL-FEEDER CRANK CAUTION	1
9	FD7000A920	DECAL-DANGER FALLING HAZARD	1	27	FD7000A943	DECAL-OIL REQUIREMENT	1
10	FD7000A952	DECAL-DRAWBAR HITCH	1	28	FD 0028042	DECAL-SPROCKET ORIENTATION	1
11	FD 0023537	"CAUTION!OPERATE AT 1000 RPM	1	29	FD7001A948	DECAL-FAN SWITCH	1
12	FD7000A897	DECAL-DANGER BALER INTAKE	2	30	FD 0022521	BALE LENGTH ADJ DECAL	1
13	FD 0023538	"WARNING!DO NOT RIDE ON..."	1	31	FD 0022124	DECAL,PATENT NUMBERS-HAY EQUIP	1
14	FD 0023951	DECAL LUG NUT	2	32	FD7000A983	DECAL-NOTICE TO OWNER	1
15	FD7000A933	DECAL-WARNING MOVING,CRUSH	2	33	FD70000170	DECAL-RED REFLECTOR	4
16	FD7000A919	DECAL-WARNING DRIVELINE	1	34	FD70000434	DECAL-MADE IN USA	1
17	FD7000A896	DECAL-WARNING MOVING PARTS	6	35	FD7000A938	DECAL-READ OPERATORS MANUAL	1
				36	FD0037145B	"D" DECAL	2

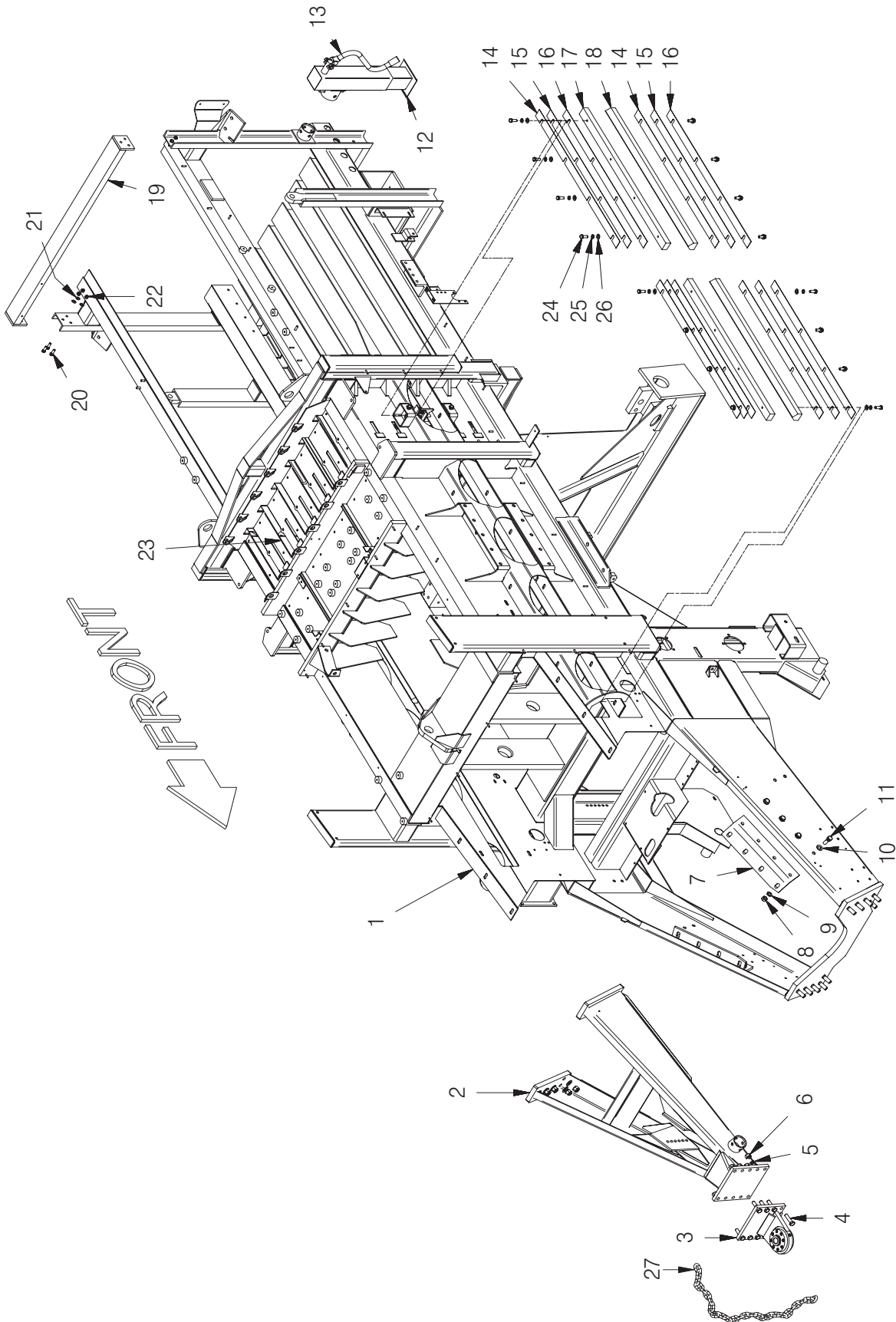
**DECAL LOCATION DIAGRAM**



## DECAL LOCATION DIAGRAM

REF NO.	PART NO.	DESCRIPTION	QTY. USED	REF NO.	PART NO.	DESCRIPTION	QTY. USED
1	FD 0024865	L. H. FREEMAN 1592 DECAL	1	18	FD7000A934	DECAL-WARNING NEEDLE FRAME	2
	FD 0024866	R. H. FREEMAN 1592 DECALS	1	19	FD7000A923	DECAL-WARNING FORK CRANK	2
2	FD 0007111	25" X 4" WHITE "FREEMAN" DECAL	1	20	FD7000A936	DECAL-WARNING KNOTTERS	2
3	FD70000108	DECAL-KEEP SHIELDS IN PLACE	2	21	FD70000722	DECAL-YELLOW REFLECTOR STICKON	8
4	FD70000445	DECAL-LIFT POINT	3	22	FD7000A932	DECAL-WARNING READ MANUAL	1
5	FD 0023531	"DANGER! ROTATING DEVICE..."	2	23	FD7000A937	DECAL-WARNING ALLOW TO STOP	1
6	FD0505626	DECAL-TAPE BLK/YELLOW 3"	14'	24	FD7000A944	DECAL-TOWING PRECAUTION	1
7	FD7000A961	DECAL-SHUTDOWN DIAGNOSTIC	1	25	FD7000A925	DECAL-WARNING USE LADDER	2
8	FD 0025249	DECAL-HOIST BALER-LIFT POINTS	1	26	FD 0029854	DECAL-FEEDER CRANK CAUTION	1
9	FD7000A920	DECAL-DANGER FALLING HAZARD	1	27	FD7000A943	DECAL-OIL REQUIREMENT	1
10	FD7000A952	DECAL-DRAWBAR HITCH	1	28	FD 0028042	DECAL-SPROCKET ORIENTATION	1
11	FD 0023537	"CAUTION!OPERATE AT 1000 RPM	1	29	FD7001A948	DECAL-FAN SWITCH	1
12	FD7000A897	DECAL-DANGER BALER INTAKE	2	30	FD 0022521	BALE LENGTH ADJ DECAL	1
13	FD 0023538	"WARNING!DO NOT RIDE ON..."	1	31	FD 0022124	DECAL,PATENT NUMBERS-HAY EQUIP	1
14	FD 0023951	DECAL LUG NUT	2	32	FD7000A983	DECAL-NOTICE TO OWNER	1
15	FD7000A933	DECAL-WARNING MOVING,CRUSH	2	33	FD70000170	DECAL-RED REFLECTOR	4
16	FD7000A919	DECAL-WARNING DRIVELINE	1	34	FD70000434	DECAL-MADE IN USA	1
17	FD7000A896	DECAL-WARNING MOVING PARTS	6	35	FD7000A938	DECAL-READ OPERATORS MANUAL	1
				36	FD0037145B	"D" DECAL	2

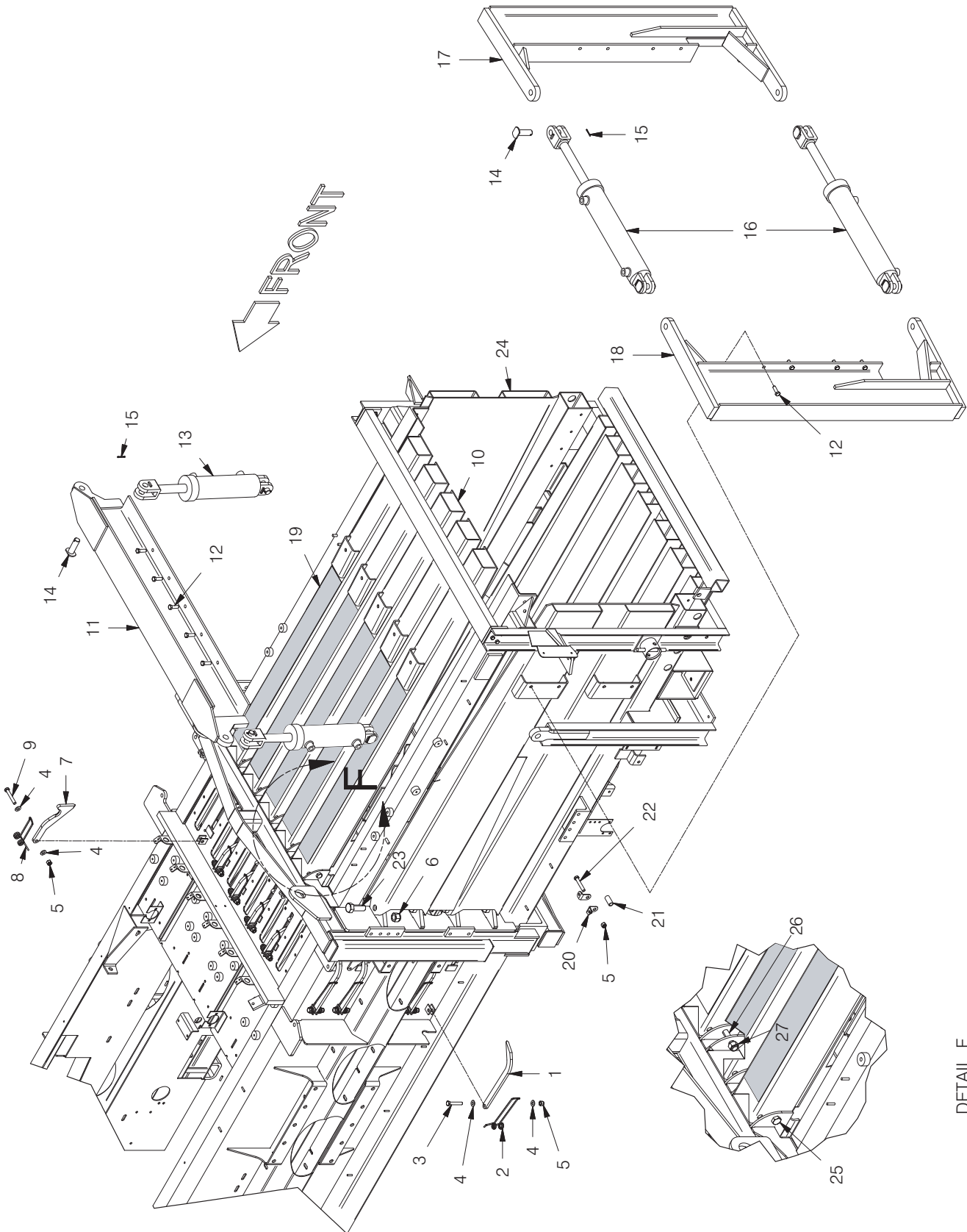
**MAIN FRAME ASSEMBLY**



## MAIN FRAME ASSEMBLY

REF NO.	PART NO.	DESCRIPTION	QTY. USED	REF NO.	PART NO.	DESCRIPTION	QTY. USED
1	901520	FRAME ASSY;1592 DBL KNOTTER	1	12	252630	JACK (INCLUDES HANDLE)	1
2	TNG0025604	FRONT TONGUE ASSEMBLY	1	13	253019	HANDLE FOR JACK	1
	WAS0000118	3/4 A325 STRUCTURAL WASHER-ZP	1	14	901638	SHIM 20GA	AR
	NCH0000750	3/4" NC HEX NUT - PLATED	10	15	901634	SHIM 18GA	AR
	SFC0000810	3/4 X 3 NF HT CAP SCREW	10	16	901637	SHIM 16GA	AR
3	900329	HITCH	1	17	901764	BAR,TOP	4
4	00271564	CAPSCREW; 5/8 NC X 2 1/2 GR5	8	18	901763	BAR,BOTTOM	4
5	223694	WASHER, LOCK; 5/8	8	19	YOK0024007	YOKE WLDMT,CHMR	1
6	00102639	NUT, HEX; 5/8 NC GR5 BLK	8	20	SCC0040004	HEX HD CS NC 7/16 X 1-1/2	6
7	SUP0216270	LH FLYWHEEL FRM MNT SUPT-AF/87	1	21	200603	WASHER, LOCK; 7/16	6
	SUP0216271	RH FLYWHEEL FRM MNT SUPT-AF/87	1	22	234921	NUT, HEX; 1/2	6
8	235591	NUT, HEX; 5/8 NC GR8 ZC	8	23	901589	PL,TOP	1
9	WAS0000010	#10 HIGH COLLAR WASHER	8	24	239519	WASHER, FLAT	32
	NMS0000252	1/2" NC WHIZ NUT - PLATED	8	25	234665	WASHER, LOCK; 1/2 REG	32
10	R13811435	WASHER, HARD; 5/8	8	26	234123	CAPSCREW; 1/2 NC X 1 1/4	32
11	SCC0000706	HEX HD CS NC 5/8 X 2	8	27	CHN0000209	CHAIN, SAFETY	1
					R13811142	CAPSCREW; 3/4 NC X 1 GR8	1
					WIS0007500	3/4 INTERNAL STAR WASHER	1
					WAS037161A	SAFETY CHAIN WASHER	1

**TENSION RAILS ASSEMBLY**

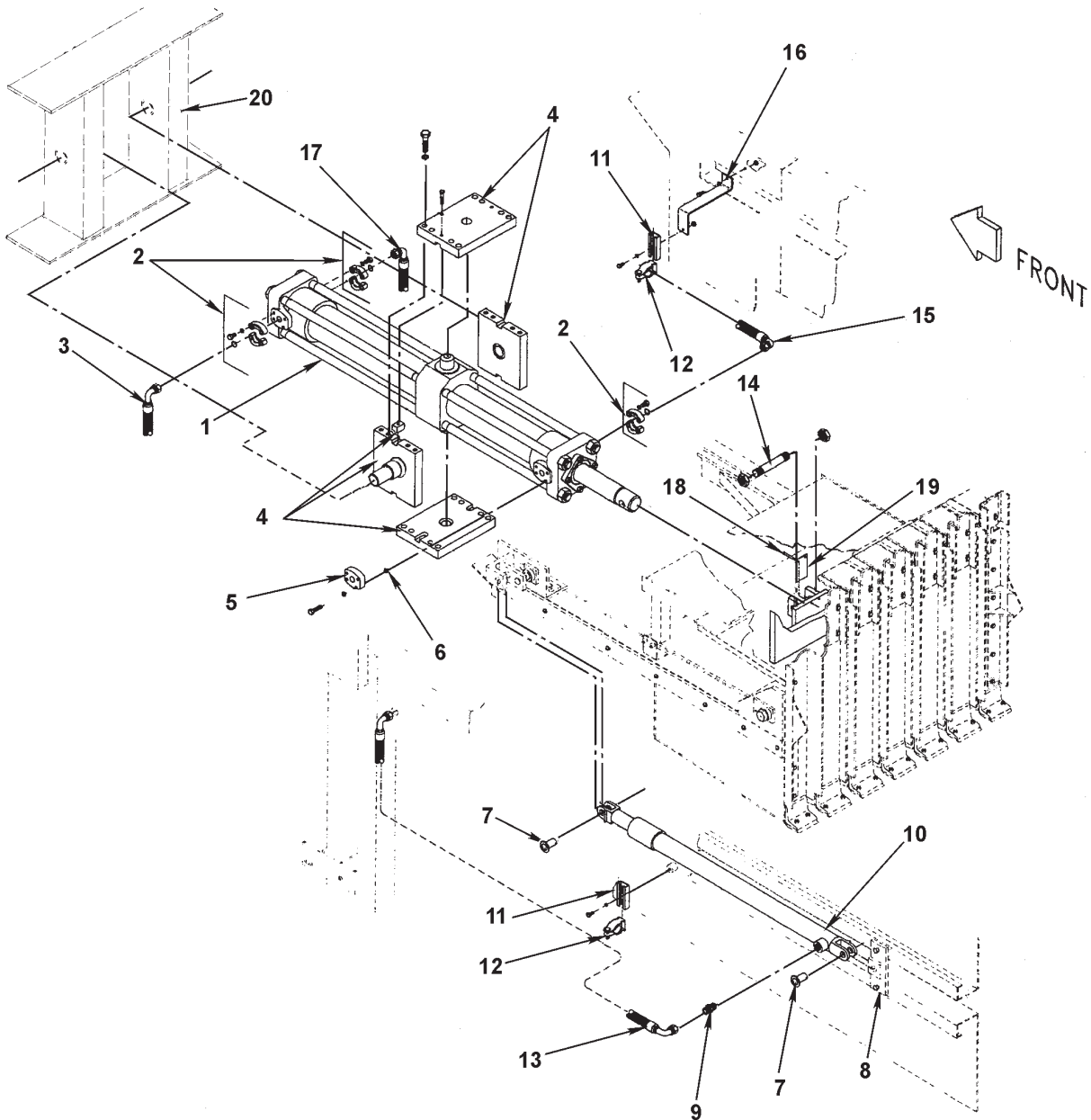


DETAIL F

## TENSION RAILS ASSEMBLY

REF NO.	PART NO.	DESCRIPTION	QTY. USED	REF NO.	PART NO.	DESCRIPTION	QTY. USED
1	DOG0018520	SIDE HAY DOG	8	15	COT0000503	1/8 X 1-1/4 COTTER PIN	8
2	900179	SPRING,HAY DOG	8	16	CYL0TC3516	TC3.5 X 16 HYD CYL	2
3	R13811080	CAPSCREW; 1/2 NC X 2 3/4 GR8 HX Z	8	17	TNS2287201	RIGHT COMPRESSION BEAM	1
4	239519	WASHER, FLAT; 1/2	16	18	TNS2287200	LEFT COMPRESSION BEAM	1
5	R13811193	NUT, LOCK; 1/2 NC	8	19	STP0002000	STEP COVER-SAFETY WALK 4'	5
6	R13803587	NUT, LOCK; 1 NC GR8	8	20	MNT037662A	BRACKET	12
7	901598	TOP,HAY DOG	5	21	GUD037663A	PIPE;F/TWINE	6
8	SPG0023160	SIDE HAY DOG SPRING	5	22	R13801850	CAPSCREW; 1/2 NC X 3 GR8 HX ZY	6
9	R13811082	CAPSCREW; 1/2 NC X 3 1/4 GR8	5	23	R13801899	CAPSCREW; 1 NC X 3 3/4 GR8 HX ZY	8
10	TNS0028067	RAIL WLDMT, TOP	5	24	TNS0025988	SIDE TENSION RAIL	2
11	TNS0022468	TOP TENS RAIL COMPRESSION BEAM	1	25	241030	CAPSCREW; 5/8 UNC X 8 1/2 HX HD	2
12	R13811075	CAPSCREW; 1/2 NC X 1 1/2 GR8	13	26	TNS0020209	CAPSCREW 5/8 X 4 GR8 NC	2
13	CYL00TC408	TC4 X 8 HYD CYL	2	27	224128	NUT, ESNA; 5/8 NF GR8 HX ZC	4
14	TC0000035P	CLEVIS PIN	8				

**PLUNGER CYLINDERS AND MOUNTS ASSEMBLY**

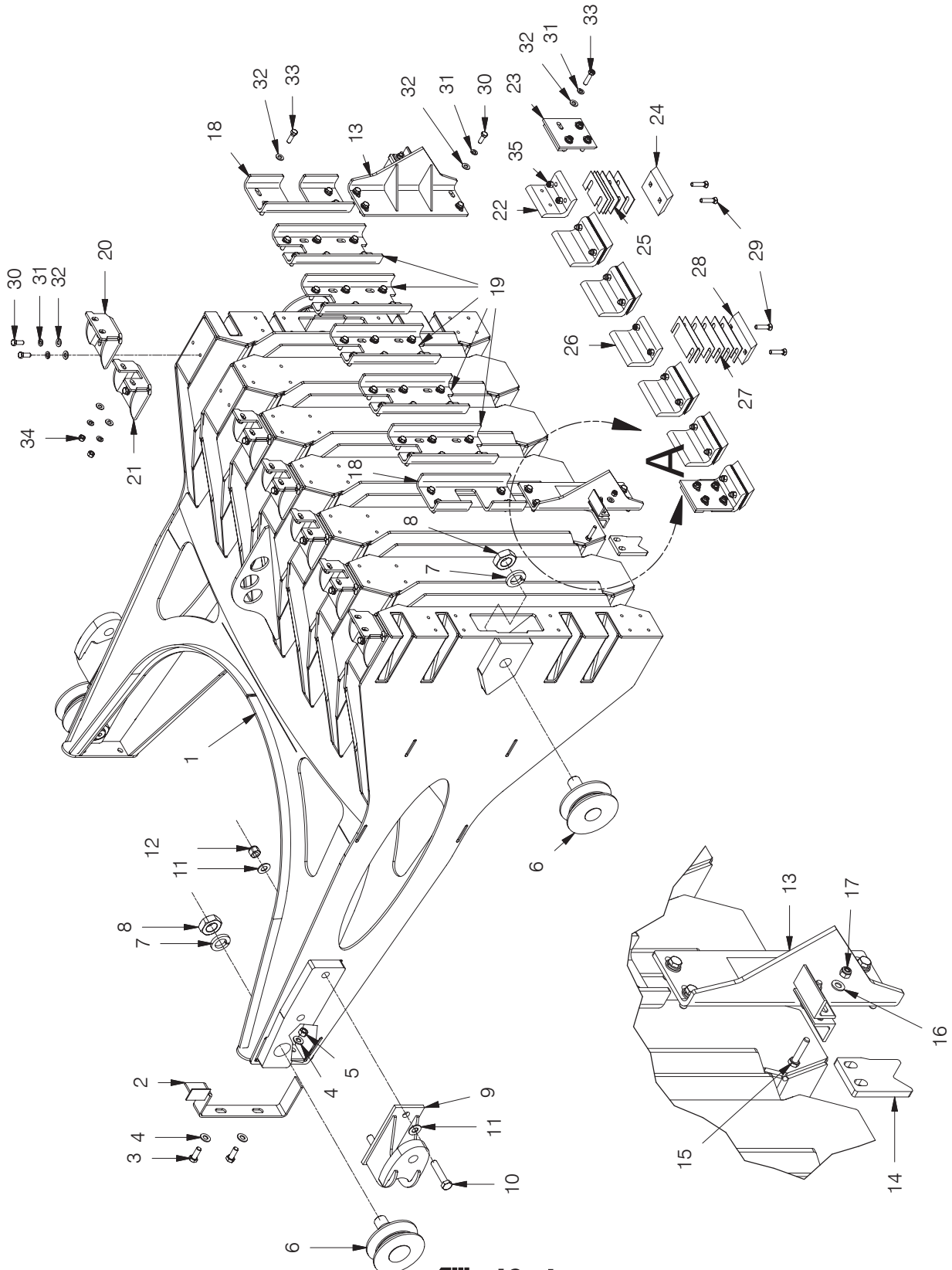




## PLUNGER CYLINDERS AND MOUNTS ASSEMBLY

REF NO.	PART NO.	DESCRIPTION	QTY. USED	REF NO.	PART NO.	DESCRIPTION	QTY. USED
1	CYL037554E	PLUNGER CYLINDER SUB ASSEMBLY	1	11	MNT0020255	CHANNEL	3
2	FLG0001501	1"SPLIT FLG W/O-RING &BOLT KIT	3		WLK0000375	3/8" MEDIUM LOCKWASHER - PLTD	3
3	HOS0024887	PLUNGER CYLINDER HOSE	1		SCC0030001	3/8 X 3/4 NC HT CS - PLATED	3
4	FRM037556E	GIMBAL FRAME ASSY	1	12	CLP0100150	1-1/2 HYDRA ZORB HOSE CLAMP	3
	PLT037555D	GIMBAL FRAME CAP PLATE	2	13	HOS0023451	MAKE-UP CYL BASE-FDR LEG BH	2
	PLT035995D	SIDE PLATE	2	14	PIN0024791	PLUNGER CYLINDER PIN	1
	SCC0030006	3/8 X 2 NC HT CS - PLATED	4		NEJ0001125	1-1/8" NC ESNA JAM NUT - PLTD	4
	WLK0000375	3/8" MEDIUM LOCKWASHER - PLTD	4	15	HOS0024889	PLUNGER CYLINDER ROD END HSE	1
	SCC0080009	3/4 X 2-3/4 NC HT CS - PLATED	16	16	BKT0023474	MAKE-UP CYL HSE CLAMP BKT	1
	WLK0000750	3/4" MEDIUM LOCKWASHER-PLATED	16		WLK0000375	3/8" MEDIUM LOCKWASHER - PLTD	1
5	FLG0001660	1" CODE 62 BLIND FLANGE	1		SCC0030001	3/8 X 3/4 NC HT CS - PLATED	1
	SCS0000405	7/16 X 1-3/4 NC SOCKET HEAD CS	4		NCH0000375	3/8" NC HEX NUT - PLATED	1
	WAS0000102	7/16 HIGH COLLAR LOCKWASHER	4	17	HOS0015874	PLUNGER CYL HOSE-6000PSI	1
6	F 0006450	O-RING F/F6269 4-BOLT FLANGE	1	18	ZZ 0000728	1/4 X 1 ROLL PIN	2
7	253863	CLEVIS PIN W/COTTER PIN	4	19	SHM0028130	PLNGR ROD END SHIM (.015)	A/R
8	901570	MOUNTING WLDMT,CYL;*A; 1592D	2		SHM0028363	PLNGR ROD END SHIM (.032)	A/R
9	HYD5205070	1" JIC X 1" NPT MALE CONN	2	20	DRW035997B	BAR,	2
10	CYL0024785	MAKE-UP CYLINDER-AF/8-91	2				

### PLUNGER ASSEMBLY

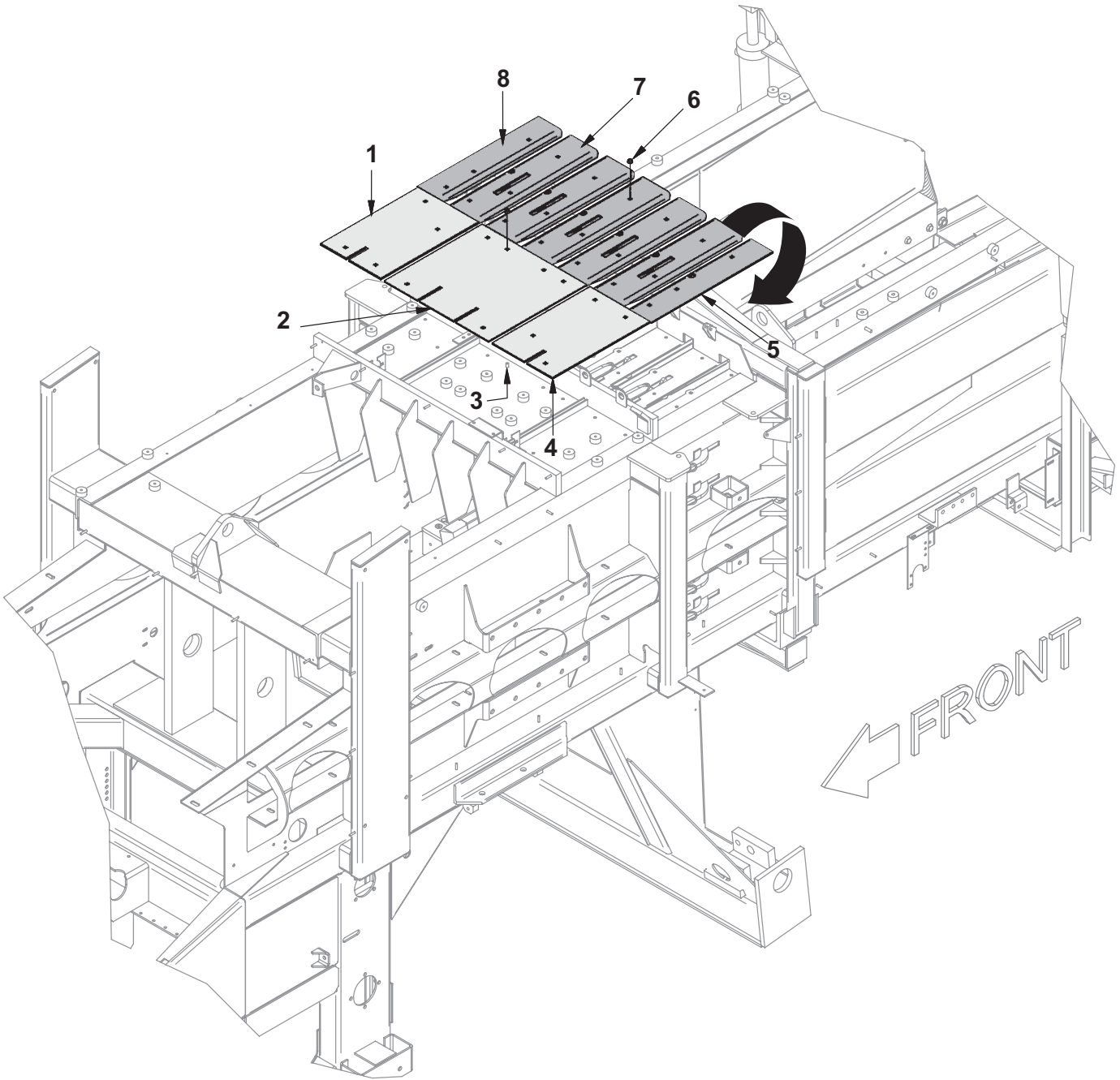


DETAIL A

## PLUNGER ASSEMBLY

REF NO.	PART NO.	DESCRIPTION	QTY. USED	REF NO.	PART NO.	DESCRIPTION	QTY. USED
1	901450	PLUNGER FRAME	1	19	901622	PL,FACE,CENTER	5
2	901888	SENSOR TRIGGER	1	20	901625	OUTSIDE PLUNGER FACE SUPPORT	2
3	234123	CAPSCREW; 1/2 NC X 1 1/4 GR8	2	21	901621	CENTER PLUNGER FACE SUPPORT	5
4	239519	WASHER, FLAT; 1/2 A325 ZC	4	22	DRW0027933	OUTSIDE ANGLE,SUPPORT	2
5	234921	NUT, HEX; 1/2 NC GR8 ZC	4	23	901900	FACE WLDMT,LOWER	2
6	253386	ROLLER, V-GROOVE	4	24	KNF0027932	OUTER;PLUNGER KNIFE	2
7	WLK0012500	1-1/4 LOCKWASHER	4	25	SHM0027993	SHIM;A; 16GA	AR
8	NFJ0012500	JAM NUT NF 1-1/4	4		SHM0027994	SHIM;A; 30GA	AR
9	901545	LUG WLDMT,CYL;	2	26	DRW0022638	CENTER ANGLE,SUPPORT	5
10	234202	CAPSCREW; 5/8 NC X 3 GR8	4	27	SHM0226040	SHIM;A; 16GA	AR
11	200762	WASHER, HARD; 5/8	8		SHM0226041	SHIM;A; 30GA	AR
12	00274821	NUT, ESNA; 5/8 NC GR5	8	28	KNF0022602	CENTER;PLUNGER KNIFE	5
13	901535	GROOVE CLEANER	2	29	PWB3751750	3/8 X 1-3/4 NC PLOW BOLT	14
14	901632	PL,WIPER	2	30	00180122	CAPSCREW; 3/8 NC X 1 GR5	40
15	00179822	CAPSCREW; 5/16 NC X 1 1/2 GR5	4	31	201567	WASHER, LOCK; 3/8 REG	72
16	223428	WASHER, FLAT; 5/16	4	32	223427	WASHER, FLAT	82
17	223588	NUT, ESNA; 5/16 NC GR5	4	33	201607	CAPSCREW; 3/8 NC X 1 1/2 GR5	8
18	901623	PL,FACE,END	2	34	231106	NUT, HEX; 3/8 NC	14
				35	237567	NUT, ESNA;A; 3/8 NC	14

**TOP CHAMBER LINERS**

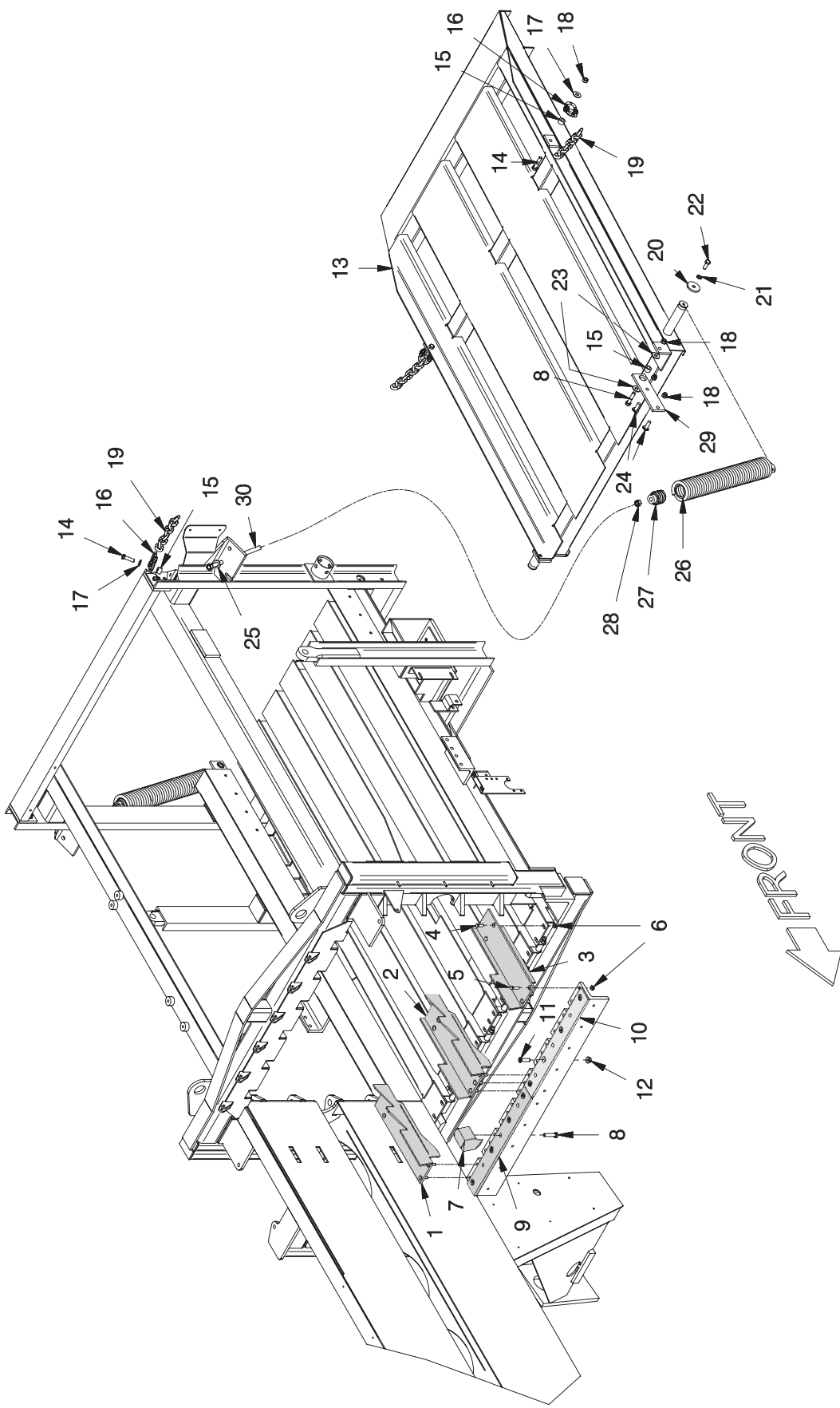


---

## TOP CHAMBER LINERS

REF NO.	PART NO.	DESCRIPTION	QTY. USED
1	LIN036841D	RIGHT FRONT LINER	1
2	LIN036840D	CENTER FRONT LINER	1
3	CRB3750100	CARRIAGE BOLT 3/8-16 X 1 -PLATED	A/R
4	LIN036840D	SHAFT	1
5	901658	LH REAR LINER	1
6	09411507	WHIZ NUT NC 3/8	A/R
7	901599	CENTER REAR LINER	5
8	LIN037632B	RH REAR TOP LINER	1

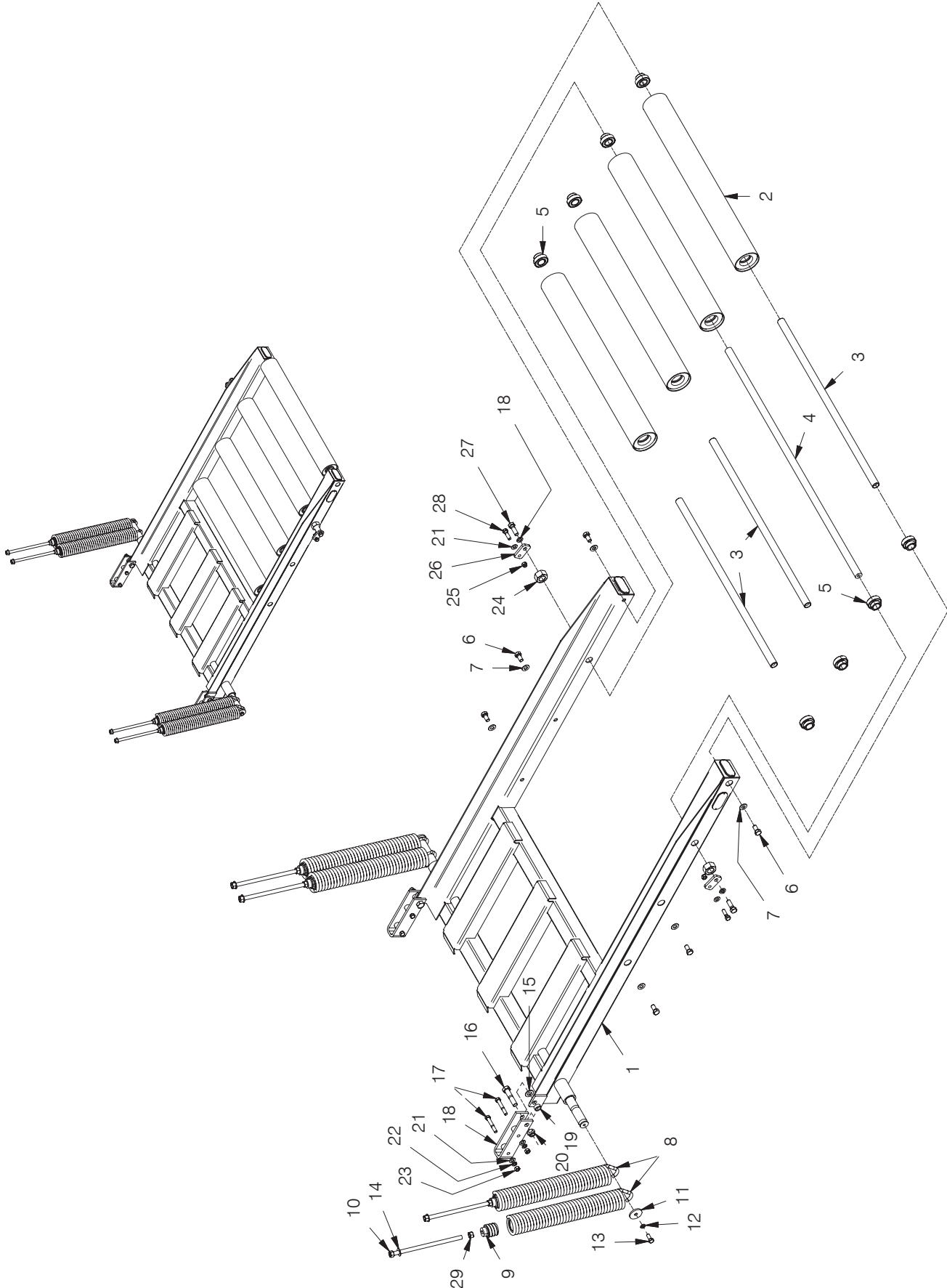
**REAR BOTTOM CHAMBER LINERS AND BALE CHUTE ASSEMBLY**



## REAR BOTTOM CHAMBER LINERS AND BALE CHUTE ASSEMBLY

REF NO.	PART NO.	DESCRIPTION	QTY. USED	REF NO.	PART NO.	DESCRIPTION	QTY. USED
1	LIN037469D	RIGHT BOTTOM CHAMBER LINER	1	15	SPC0025812	CHAIN ANCHOR SPACER	6
2	LIN037468D	CENTER BOTTOM CHM LINER	5	16	CNK0000336	CONNECTING LINK- 3/8"	4
3	LIN037467D	LEFT BTTM CHAMBER LINER	1	17	WAS0020049	WASHER	4
4	PWB3751250	3/8 X 1-1/4 NC #3 PLOW BOLT-ZP	7	18	R13811193	NUT, LOCK; 1/2 NC GR8	6
5	PWB3751500	3/8 X 1-1/2 NC #3 PLOW BOLT-ZP	7	19	CHN375HT50	3/8" SELF-COLORED GRD 04 CHAIN	2
6	09411507	NUT, SERRATED; 3/8 NC GR5	14	20	WAS0035161	WASHER	2
7	901628	PL,SILAGE BLOCK	6	21	234665	WASHER, LOCK; 1/2	2
8	18589W	CAPSCREW;ASC-508; 1/2 UNC X 2.25	6	22	SFC0080507	GRD 8 HEX HD CS NF 1/2 X 2-1/4	2
9	901633	PL,RH KNIFE	1	23	239519	WASHER, FLAT; 1/2	AR
10	901629	PL,LH KNIFE	1	24	Y25G-0824	CAPSCREW; 1/2 UNC X 1 1/2 BTN HD	4
11	PWB5001750	1/2 X 1-3/4 NC #3 PLOW BOLT	8	25	235464	WASHER, FLAT; 5/8	2
12	CHN375HT50	3/8" SELF-COLORED GRD 04 CHAIN	A/R	26	SPG0035137	ROLLER BALE CHUTE SPRING	2
13	CHU0504188	BALE CHUTE - 1592	1	27	PLU0035136	ROLLER CHUTE SPRING PLUG	2
14	R13811076	CAPSCREW; 1/2 NC X 1 3/4 GR8	4	28	235591	NUT, HEX; 5/8 NC GR8	2
				29	MNT0026340	BALE CHUTE MNT -AFT/11-92	2
				30	SMS0035135	BOLT ASSY	4

**OPTIONAL ROLLER BALE CHUTE ASSEMBLY**

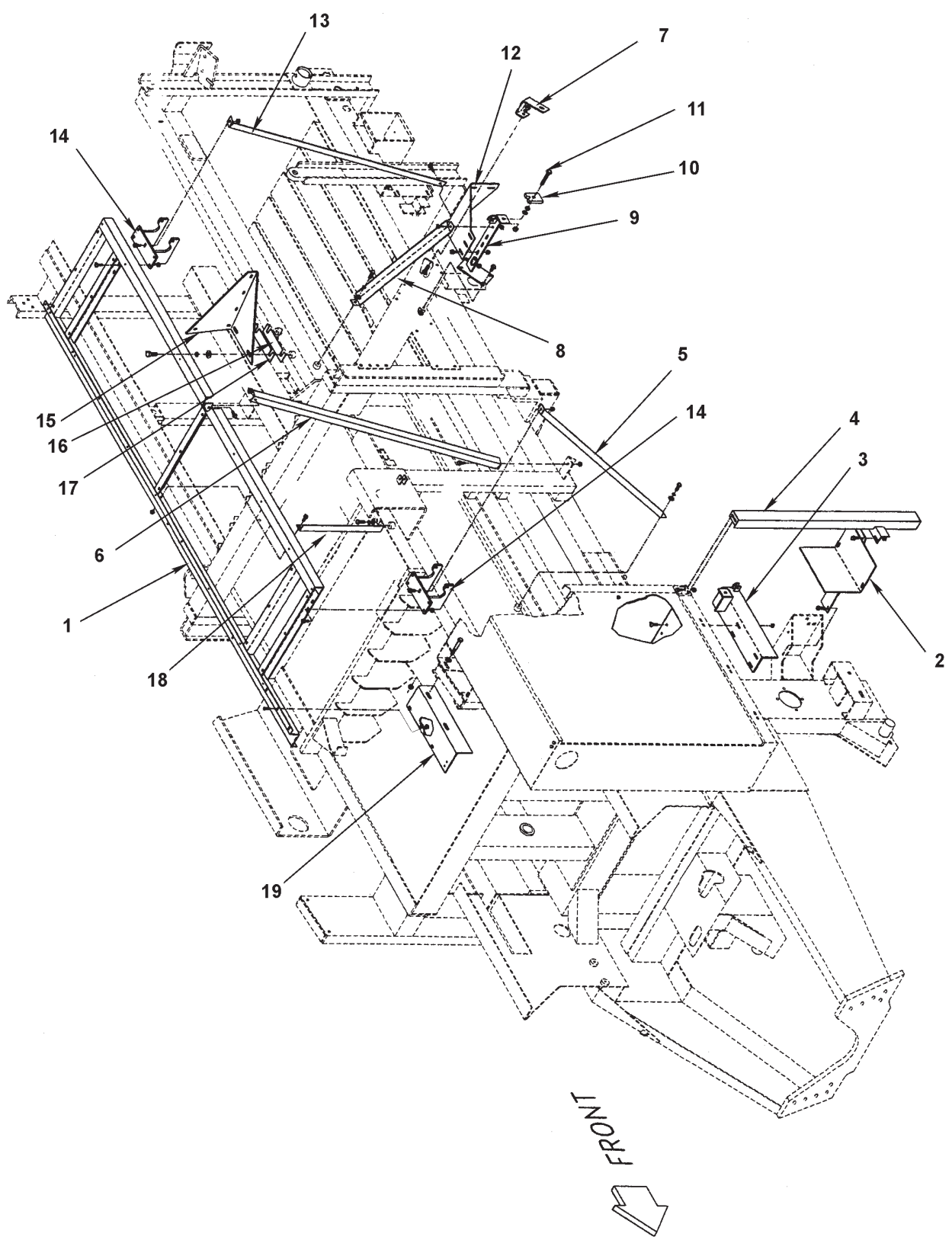




## OPTIONAL ROLLER BALE CHUTE ASSEMBLY

REF NO.	PART NO.	DESCRIPTION	QTY. USED
	CHU0035109	ROLLER BALE CHUTE ASSY;	
1	FRM0032270	ASSEMBLY, FRAME, CHUTE, ROLLER	1
2	ROL0035115	ROLLER ASSEMBLY	4
3	SHF0035112	SHAFT	3
4	900072	SHAFT	1
5	BRG0000010	ROLLER BEARING F/1592 TAIL CHUTE	8
6	234131	CAPSCREW; 5/8 NC X 1 1/4 GR8 HX ZC	6
7	R13811435	WASHER, STRUCTURAL, 5/8	6
8	SPG0035137	SPRING, EXT	4
9	PLU0035136	PLUG, SPRING	4
10	SMS0035135	BOLT ASSY	4
11	WAS0035161	WASHER	2
12	234665	WAHSER, LOCK, SPLIT, 1/2"	2
13	234123	SCREW, CAP, 1/2 X 1 1/4 UNC, PLATED	2
14	235464	WASHER, FLAT, 5/8	4
15	235546	WASHER, HARD; 3/4 ID ZC	2
16	230096	CAPSCREW; 3/4 NC X 3 1/2 GR8	2
17	230596	CAPSCREW; 1/2 NC X 3 1/4 GR8	4
18	900340	MOUNTING WLDMT	2
19	900343	SPACER	2
20	NCE0007500	ESNA NUT NC 3/4	2
21	239519	WASHER, FLAT; 1/2	8
22	234665	WASHER, LOCK; 1/2 REG	4
23	234921	NUT, HEX; 1/2 NC GR8	4
24	224182	NUT, HEX; 1 1/4 NC GR8	2
25	223587	NUT, ESNA; 1/2 NC GR8	2
26	900344	BAR, LINK	2
27	235590	CAPSCREW; 5/8 NC X 2 GR8	2
28	229172	CAPSCREW; 1/2 NC X 1 3/4 GR8	2
29	229952	NUT, HEX; 5/8 NC GR8	2

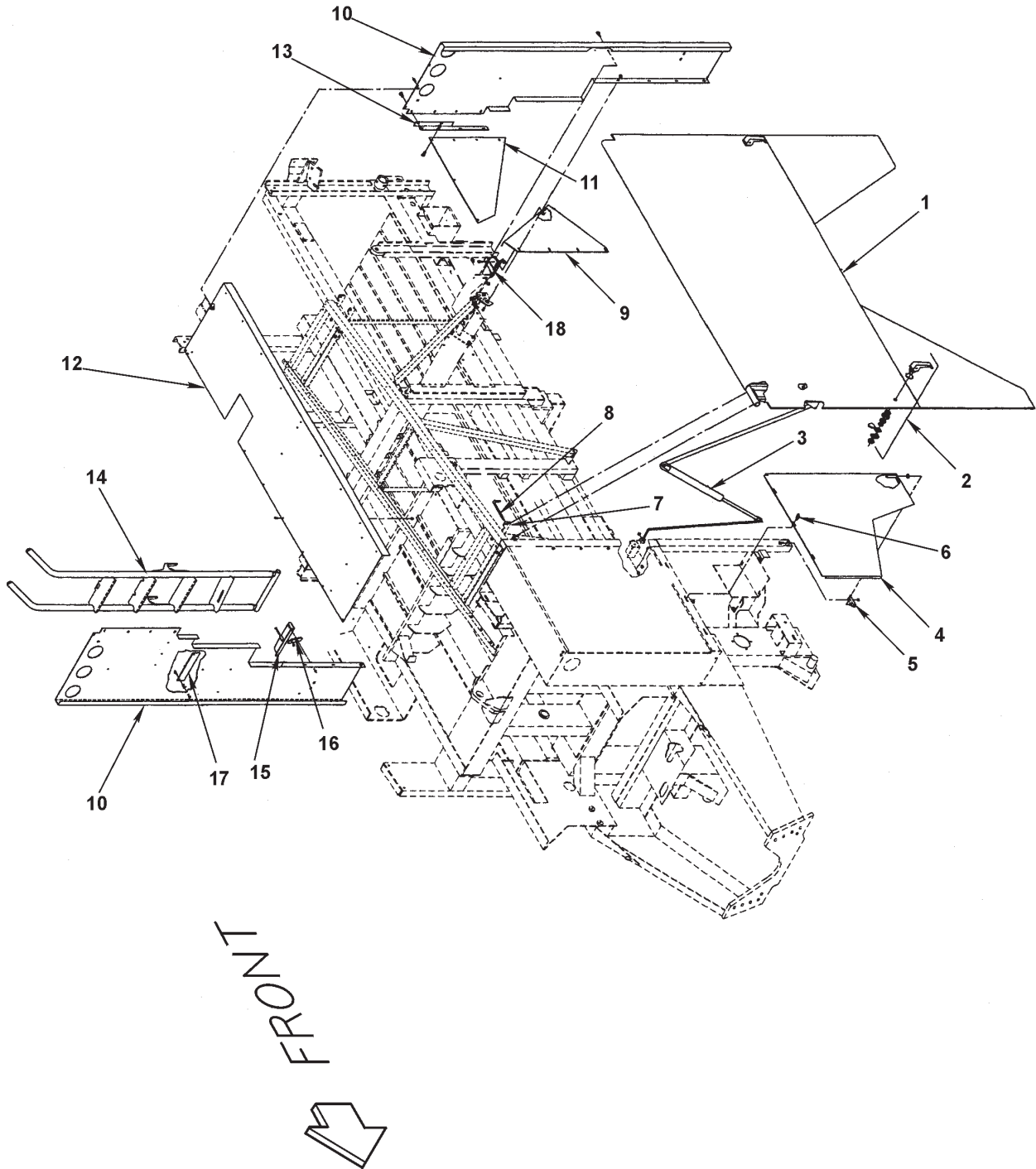
**SIDE SHIELDS AND DOOR SUPPORTS ASSEMBLY**



## SIDE SHIELDS AND DOOR SUPPORTS ASSEMBLY

REF NO.	PART NO.	DESCRIPTION	QTY. USED	REF NO.	PART NO.	DESCRIPTION	QTY. USED
1	FRM0232910	R.H. TOP SHIELD SUPT ASB	1	10	20-112	MOTOR MOUNT/STOP PAD	4
	FRM0232911	L.H. TOP SHIELD SUPT ASB	1		NCH0000500	1/2" NC HEX NUT - PLATED	4
2	MNT0023489	L DOR SUP BRC W/ BAT MNT	1		WCT0000500	1/2" FLATWASHER - PLATED	8
	BRC0233921	R. H. DOOR SUPPORT BRACE	1	11	ROD0023528	DOOR BUMPER ADJ. ROD BOLT	4
	SMS0000184	5/16 X 3/4 NC WHIZ BOLT-PLATED	4	12	SUP0252950	L.H REAR SHD LOWER SUPT-A/3-92	1
3	MNT0233030	L. H. GAS SPRING FRM MNT ASSY	1		SUP0252951	R.H REAR SHD LOWER SUPT-A/3-92	1
	MNT0233031	R. H. GAS SPRING FRM MNT ASSY	1		SMS0000184	5/16 X 3/4 NC WHIZ BOLT-PLATED	2
	CRB3130100	5/16X 1 CARRIAGE BOLT-PLTD	8		NMS0000117	5/16" NC WHIZ NUT - PLATED	2
	WCT0000313	5/16" FLATWASHER-PLATED	8	13	BRC0233290	L. H. DOOR REAR KNEE BRACE	1
4	SUP0023479	LOWER LEFT DOOR SUPPORT	1		BRC0233291	R. H. DOOR REAR KNEE BRACE	1
	SUP0023357	LOWER RIGHT DOOR SUPPORT	1		SMS0000184	5/16 X 3/4 NC WHIZ BOLT-PLATED	2
	SMS0000184	5/16 X 3/4 NC WHIZ BOLT-PLATED	4		NMS0000117	5/16" NC WHIZ NUT - PLATED	2
	NMS0000117	5/16" NC WHIZ NUT - PLATED	4		SMS0000177	5/16 X 1 NC WHIZ BOLT-PLATED	2
5	BRC0233310	L. H. FRONT KNEE BRACE	1	14	MNT0023283	MAIN DOOR MOUNT ASSEMBLY	4
	BRC0233311	R. H. FRONT KNEE BRACE	1		NMS0000117	5/16" NC WHIZ NUT - PLATED	16
	NMS0000117	5/16" NC WHIZ NUT - PLATED	2		SMS0000177	5/16 X 1 NC WHIZ BOLT-PLATED	16
	SCC0030002	3/8 X 1 NC HT CS - PLATED	6	15	SUP0234500	L. H. REAR SHD UPPER SUPT	1
	SMS0000177	5/16 X 1 NC WHIZ BOLT-PLATED	2		SUP0234501	R. H. REAR SHD UPPER SUPT	1
	WLK0000375	3/8" MEDIUM LOCKWASHER - PLTD	6		WCT0000500	1/2" FLATWASHER - PLATED	4
	WCT0000375	3/8" FLATWASHER - PLATED	6		SCC0050003	1/2 X 1-1/4 NC HT CS - PLATED	4
6	BRC0233260	L. H. DOOR CENTER KNEE BRACE	1		WLK0000500	1/2" LOCKWASHER - PLATED	4
	BRC0233261	R. H. DOOR CENTER KNEE BRACE	1	16	SHM0023544	SHIELD SUPPORT SHIM	A/R
	SMS0000184	5/16 X 3/4 NC WHIZ BOLT-PLATED	4	17	SHM0023545	SHIELD SUPPORT SHIM	A/R
	NMS0000117	5/16" NC WHIZ NUT - PLATED	4	18	SUP0233270	L. H. CENTER SHLD SUP LEG	1
7	BKT0023355	NEEDLE YOKE GUARD BRACKET	2		SUP0233271	R. H. CENTER SHLD SUP LEG	1
	SCC0050004	1/2 X 1-1/2 NC HT CS - PLATED	2		NMS0000117	5/16" NC WHIZ NUT - PLATED	2
	WLK0000500	1/2" LOCKWASHER - PLATED	2		SCC0030002	3/8 X 1 NC HT CS - PLATED	6
	NCH0000500	1/2" NC HEX NUT - PLATED	2		SMS0000184	5/16 X 3/4 NC WHIZ BOLT-PLATED	4
8	BRC0233300	L. H. REAR KNEE BRACE	1		WLK0000375	3/8" MEDIUM LOCKWASHER - PLTD	6
	BRC0233301	R. H. REAR KNEE BRACE	1		WCT0000375	3/8" FLATWASHER - PLATED	6
	SCC0030002	3/8 X 1 NC HT CS - PLATED	6	19	SUP5061370	LEFT SIDE FRNT CHANNEL SUPPORT	1
	SMS0000184	5/16 X 3/4 NC WHIZ BOLT-PLATED	1		SUP5061381	RIGHT SIDE FRONT CHANNEL SUPPT	1
	NCH0000500	1/2" NC HEX NUT - PLATED	1		SMT0001001	1/4 X 3/4 TH MACH SCREW-PLT	6
	WLK0000375	3/8" MEDIUM LOCKWASHER - PLTD	6		NMS0000250	1/4" NC WHIZ NUT - PLATED	6
	WCT0000375	3/8" FLATWASHER - PLATED	6		SCC0050012	1/2 X 3-1/2 NC HT CS - PLATED	4
9	MNT0252940	LH REAR GAS SPG/BUMP MNT -A/92	1		NCE0000500	1/2" NC ESNA NUT - PLATED	4
	MNT0252941	RH REAR GAS SPG/BUMP MNT -A/92	1				
	SMS0000184	5/16 X 3/4 NC WHIZ BOLT-PLATED	12				
	NMS0000117	5/16" NC WHIZ NUT - PLATED	12				

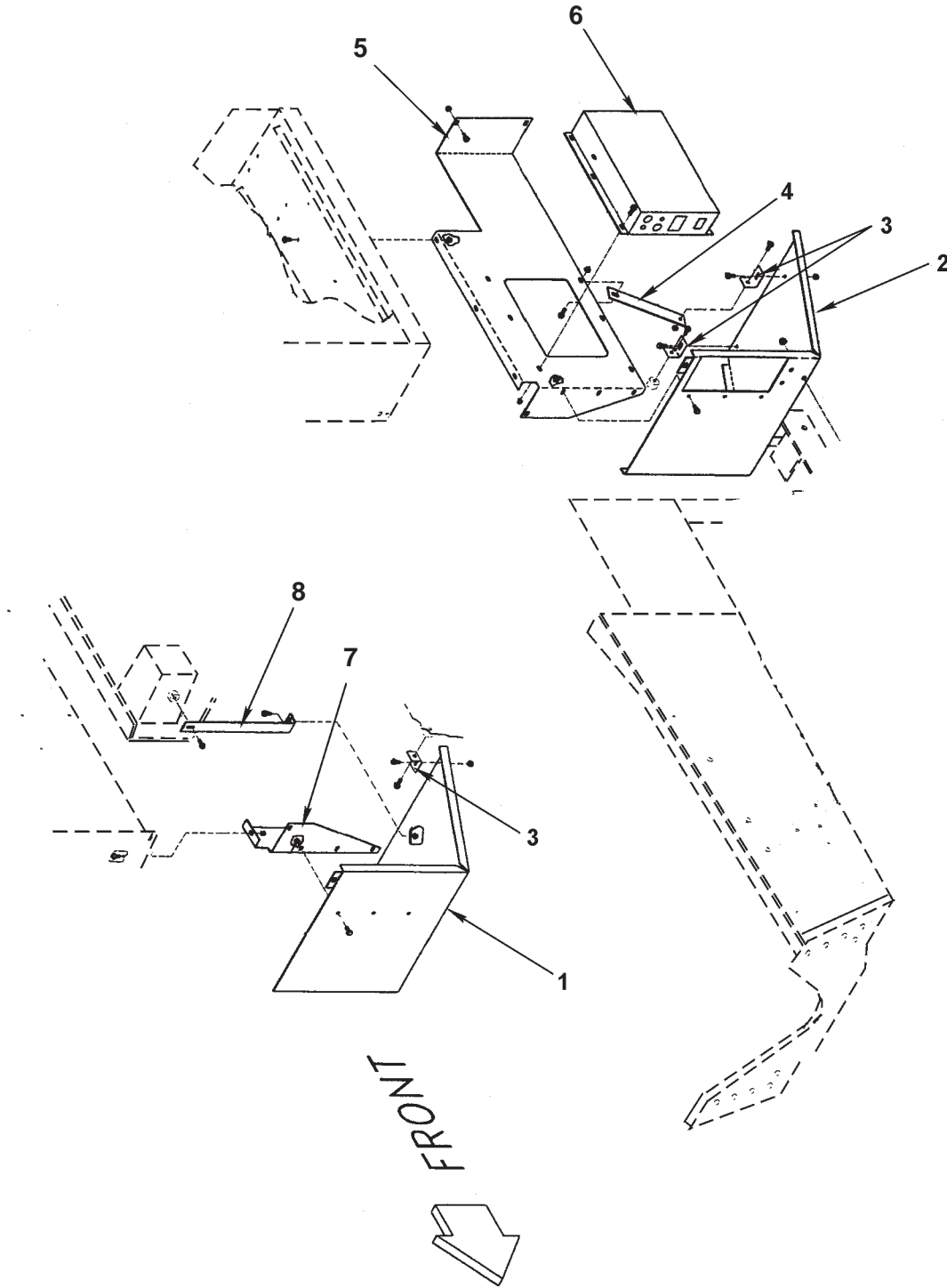
**SHIELDS AND DOORS ASSEMBLY**



## SHIELDS AND DOORS ASSEMBLY

REF NO.	PART NO.	DESCRIPTION	QTY. USED	REF NO.	PART NO.	DESCRIPTION	QTY. USED
1	DOR0232790	L.H. MAIN DOOR ASSY.	1	11	CVR0025413	REAR CLOSURE PLATE-AF/92	1
	DOR0232791	R. H. MAIN DOOR ASSEMBLY	1		SMT0002001	5/16 X 3/4 TH MACH SCREW-PLT	4
2	HAN6210603	LIFT-N-LATCH HANDLE	4		NMS0000250	1/4" NC WHIZ NUT - PLATED	4
3	CYL0080614	GAS SPRING CYLINDER	4	12	SHD0023286	TOP LEFT SHIELD	1
	NCE0000313	5/16" NC ESNA NUT - PLATED	8		SHD0023287	TOP RIGHT SHIELD	1
	SCC0020004	5/16 X 1-1/2 NC HT CS - PLATED	8		SMT0001003	1/4 X 5/8 TH MACH SCREW-PLT	32
4	DOR0233320	L. H. LOWER FRONT DOOR	1	13	MNT2541200	L. H. REAR SHIELD/CLOSURE PLT	1
	DOR0233321	R. H. LOWER FRONT DOOR	1		MNT2541201	R. H. REAR SHIELD/CLOSURE PLT	1
	WCT0000375	3/8" FLATWASHER - PLATED	12		SMT0001003	1/4 X 5/8 TH MACH SCREW-PLT	4
5	HNG0233390	L. H. LOWER DOOR HINGE	1		NMS0000250	1/4" NC WHIZ NUT - PLATED	4
	HNG0233391	R. H. LOWER DOOR HINGE	1	14	LDR0016139	PORTABLE LADDER	1
	NMS0000117	5/16" NC WHIZ NUT - PLATED	4	15	BKT0016157	BOTTOM LADDER STORAGE BRACKET	1
	SMT0002001	5/16 X 3/4 TH MACH SCREW-PLT	4		SMS0000172	1/4 X 3/4 NC WHIZ BOLT-PLATED	2
6	FST0010401	MED DUTY FOLDING HANDLE FASTNR	6		NMS0000250	1/4" NC WHIZ NUT - PLATED	2
7	COT0000801	3/16 X 1 COTTER PIN	4	16	PIN0021155	PORTABLE LADDER PIN	1
8	PIN0023475	SIDE DOOR HINGE PIN	4		SCC0020008	5/16 X 2-1/2 NC HT CS - PLATED	1
	WCT0000375	3/8" FLATWASHER - PLATED	12		NCE0000313	5/16" NC ESNA NUT - PLATED	1
9	GRD0233110	L. H. NEEDLE YOKE GUARD	1	17	BKT0016158	TOP LADDER STORAGE BRACKET	1
	GRD0233111	R. H. NEEDLE YOKE GUARD	1		NCH0000250	1/4" NC HEX NUT - PLATED	4
	SMT0001001	1/4 X 3/4 TH MACH SCREW-PLT	4		SCC0020002	5/16 X 1 NC HT CS - PLATED	2
	NMS0000250	1/4" NC WHIZ NUT - PLATED	4		NMS0000250	1/4" NC WHIZ NUT - PLATED	2
10	SHD0032078	LEFT REAR SHIELD	1	18	BKT0235270	L. H. NEEDLE YOKE BRACKET	1
	SHD0032079	RIGHT REAR SHIELD	1		BKT0235271	R. H. NEEDLE YOKE BRACKET-	1
	SMT0001001	1/4 X 3/4 TH MACH SCREW-PLT	6		NMS0000117	5/16" NC WHIZ NUT - PLATED	4
	SMT0001003	1/4 X 5/8 TH MACH SCREW-PLT	8		SMT0001001	1/4 X 3/4 TH MACH SCREW-PLT	4
	SMT0002001	5/16 X 3/4 TH MACH SCREW-PLT	4		SMT0001003	1/4 X 5/8 TH MACH SCREW-PLT	2
	NMS0000250	1/4" NC WHIZ NUT - PLATED	20		SMS0000177	5/16 X 1 NC WHIZ BOLT-PLATED	1

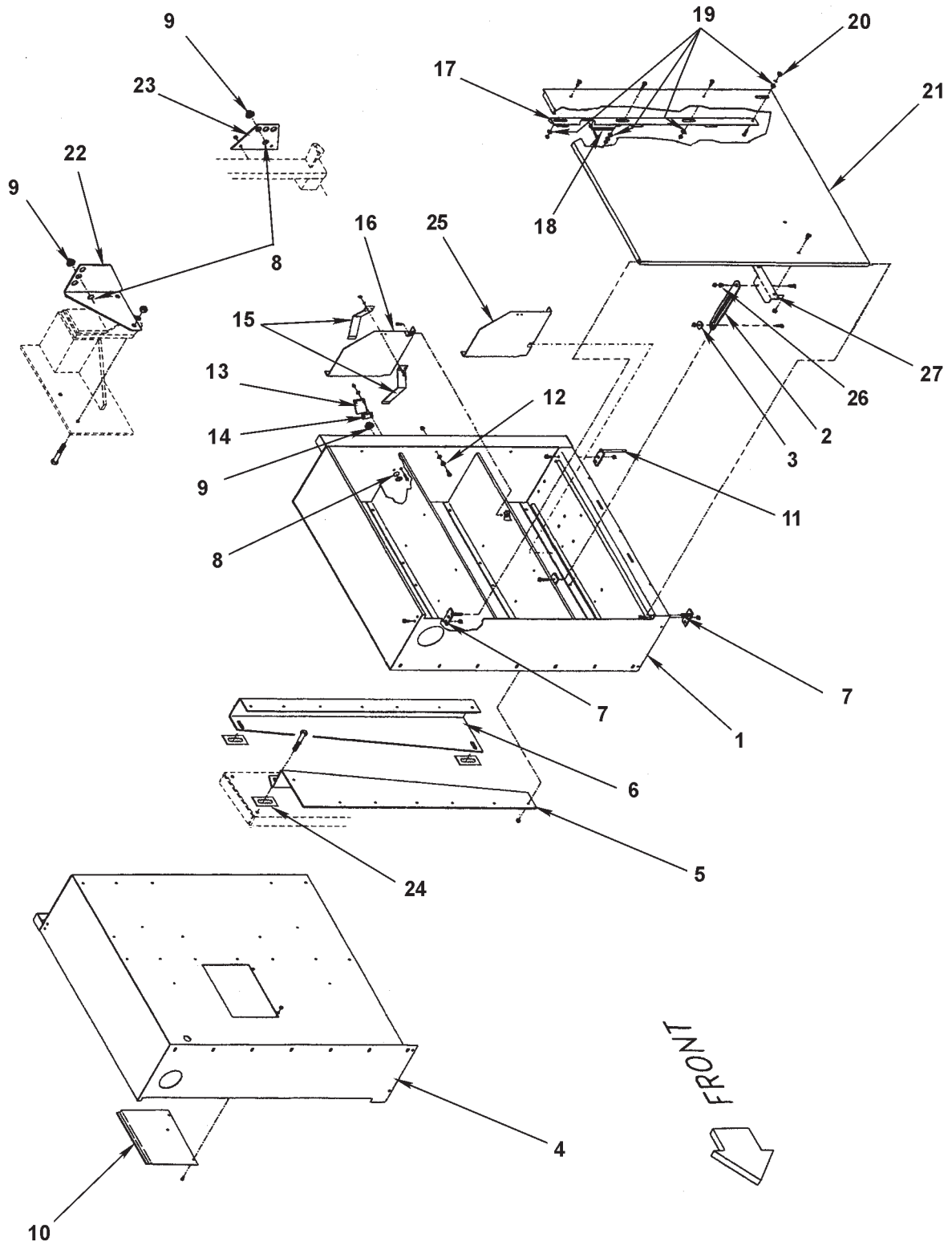
**LOWER FRONT SHIELDS ASSEMBLY**



## LOWER FRONT SHIELDS ASSEMBLY

REF NO.	PART NO.	DESCRIPTION	QTY. USED	REF NO.	PART NO.	DESCRIPTION	QTY. USED
1	SHD0023399	LOWER RIGHT FRONT SHIELD	1	5	MNT0023391	CONTROL & FAN BOX MOUNT	1
	NMS0000117	5/16" NC WHIZ NUT - PLATED	3		NMS0000117	5/16" NC WHIZ NUT - PLATED	5
	SMT0002001	5/16 X 3/4 TH MACH SCREW-PLT	3		CRB3130075	5/16X 3/4 CARRIAGE BOLT-PLTD	3
2	SHD0024071	LOWER LFT FRT SHD-A/11-90	1		SMS0000184	5/16 X 3/4 NC WHIZ BOLT-PLATED	2
	NMS0000117	5/16" NC WHIZ NUT - PLATED	3	6	901875	CONTROL BOX ASSY, COMPLETE	1
	SMT0002001	5/16 X 3/4 TH MACH SCREW-PLT	3		NMS0000117	5/16" NC WHIZ NUT - PLATED	6
3	ANC0023506	FRONT SHIELD ANCHOR	3		SMS0000177	5/16 X 1 NC WHIZ BOLT-PLATED	6
	NMS0000117	5/16" NC WHIZ NUT - PLATED	4	7	BRC0023404	RIGHT FRONT SHIELD BRACE	1
	SMS0000181	3/8 X 3/4 NC WHIZ BOLT -PLATED	2		NMS0000117	5/16" NC WHIZ NUT - PLATED	1
	SMS0000184	5/16 X 3/4 NC WHIZ BOLT-PLATED	4		CRB3130075	5/16X 3/4 CARRIAGE BOLT-PLTD	1
4	ANC0023322	LEFT FRONT SHIELD ANCHOR	1	8	ANC0023403	RIGHT FRONT SHIELD ANCHOR	1
	NMS0000117	5/16" NC WHIZ NUT - PLATED	1		NMS0000117	5/16" NC WHIZ NUT - PLATED	1
	SMS0000184	5/16 X 3/4 NC WHIZ BOLT-PLATED	1		SMS0000181	3/8 X 3/4 NC WHIZ BOLT -PLATED	1
					SMS0000184	5/16 X 3/4 NC WHIZ BOLT-PLATED	1

**TWINE BOXES AND BRACKETS ASSEMBLY**

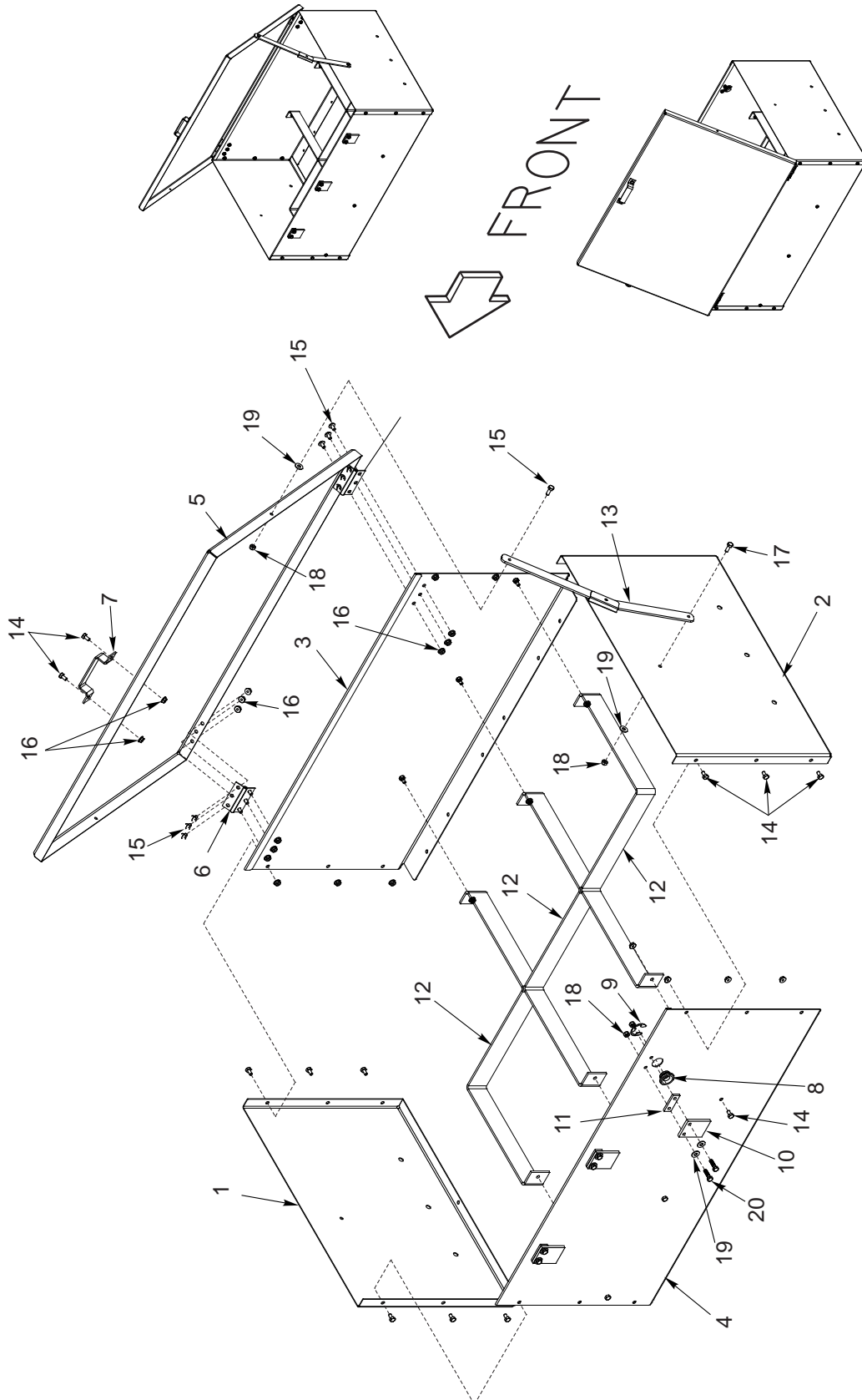




## TWINE BOXES AND BRACKETS ASSEMBLY

REF NO.	PART NO.	DESCRIPTION	QTY. USED	REF NO.	PART NO.	DESCRIPTION	QTY. USED
1	BOX0024949	L. H. TWINE BOX -AFT/3-92	1	16	BOX0232370	LH TWINE BOX OPT. DIVIDER	6
2	SHD0096569	STAY, SHIELD DOOR	2		BOX0232371	RH TWINE BOX OPT. DIVIDER	6
	SMT0002001	5/16 X 3/4 NC MACH. SCREW - PLTD	4		SMR0001001	1/4 X 3/4 NC MACH. SCREW - PLTD	24
	NCE0000313	5/16 NC ESNA LOCKNUT - PLTD	4		WLK0000250	1/4 MEDIUM LOCKWASHER PLTD	24
3	PLU0506009	PLUG, STAY DOOR	2		NCH0000250	1/4 NC HEX NUT - PLTD	24
4	BOX0024950	R. H. TWINE BOX -AFT/3-92	1	17	LTH1584700	L. H. TWINE BOX DOOR LATCH	1
5	MNT0231010	LH FRONT TWINE BOX MOUNT	1		LTH1584701	R. H. TWINE BOX DOOR LATCH	1
	MNT0231011	RH FRONT TWINE BOX MOUNT	1	18	F 0000278	SPRING F/KNOTTER TRIP ARM	2
	NMS0000117	5/16 NC WHIZ NUT - PLTD	12		NCH000313	5/16 NC HEX NUT	4
	SMS0000184	5/16 X 3/4 NC WHIZ BOLT - PLTD	12		SCC0010002	1/4 X 1 NC GRD 5 HEX BOLT - PLTD	2
6	MNT0231020	LH REAR TWINE BOX MOUNT	1	19	BSH0015842	TWN BX DOOR LATCH GUID.BUSHING	8
	MNT0231021	RH REAR TWINE BOX MOUNT	1		WCT0000313	5/16 FLAT WASHER - PLTD	4
	NMS0000117	5/16 NC WHIZ NUT - PLTD	12		SCC0020003	5/16 X 1-1/4 NC GRD 5 HEX BOLT - PLTD	2
	SMS0000184	5/16 X 3/4 NC WHIZ BOLT - PLTD	12		SCC0020002	5/16 X 1 NC GRD 5 HEX BOLT - PLTD	6
7	HNG0232330	LH TOP HINGE PIN-AT/11-89	2		NCE0000313	5/16 NC ESNA LOCK NUT - PLTD	6
	HNG0232331	RH TOP HINGE PIN-AF/11-89	2	20	F 0001007	CONTROL KNOB - 5/16 NC THREAD	2
	NMS0000117	5/16 NC WHIZ NUT - PLTD	8		SCC0020002	5/16 X 1 NC GRD 5 HEX BOLT - PLTD	2
	SMS0000184	5/16 X 3/4 NC WHIZ BOLT - PLTD	8		WLK0000313	5/16 MEDIUM LOCKWASHER - PLTD	2
	WCT0000313	5/16 FLAT WASHER - PLTD	8	21	DOR0232300	LH TWINE BOX DOOR	1
8	F 0000857	SNAP RING F/TWN GUIDE BUSHING	18		DOR0232301	RH TWINE BOX DOOR	1
9	F 0000856	TWINE & WIRE GUIDE BUSHING	18	22	BKT0263230	LH TWN GUIDE BRACKET-AFT/11-92	1
10	CVR0232361	R. H. TWN BX FILTER ACCESS CVR	1		BKT0263231	RH TWN GUIDE BRACKET-AFT/11-92	1
	SCC0000100	1/4 X 1/2 NC HT GRD 5 HEX CS	2		SCC0070012	5/8 X 3-1/2 NC GRD 5 HEX BOLT - PLTD	4
	NCC0002500	1/4 NC CAGE NUT	2		WLK0000625	5/8 MEDIUM LOCKWASHER - PLTD	4
11	HNG0235070	L. H. LOWER FRONT DOOR HINGE	1		NCH0000625	5/8 NC HEX NUT - PLTD	4
	HNG0235071	R. H. LOWER FRONT DOOR HINGE	1	23	BKT0023462	TWINE GUIDE BRACKET	2
	NMS0000117	5/16 NC WHIZ NUT - PLTD	4		SCC0030001	3/8 X 3/4 NC GRD 5 HEX BOLT - PLTD	4
	SMS0000184	5/16 X 3/4 NC WHIZ BOLT - PLTD	4		NCE0000375	3/8 NC ESNA LOCKNUT - PLTD	4
	WCT0000313	5/16 FLAT WASHER - PLTD	4	24	F 0000967	SHIM F/PINION SHAFT BRG - 16GA	12
12	BSH0015841	TWINE BOX DOOR LATCH BUSHING	6		F 0000967A	SHIM F/PINION SHAFT BRG - 20GA	12
	SCC0020002	5/16 X 1 NC GRD 5 HEX BOLT - PLTD	6		F 0000967B	SHIM F/PINION SHAFT BRG - 10GA	12
	NCE0000313	5/16 NC ESNA LOCK NUT - PLTD	6	25	BOX0507654	LH TWINE BOX BOTTOM	1
	WCT0000313	5/16 FLAT WASHER - PLTD	6		BOX0507655	RH TWINE BOX BOTTOM	1
13	CVR0016464	TWINE GUIDE COVER	6		SCC0020003	5/16 X 1-1/4 NC GRD 5 HEX BOLT - PLTD	2
	SCC0010002	1/4 X 1 NC GRD 5 HEX BOLT - PLTD	12	26	F 0008147	TWINE FINGER DRIVE ROD BUSHING	2
	WCT0000250	1/4 FLAT WASHER - PLTD	12	27	MNT5064110	LH MOUNT, DOOR STAY	1
	NCE0000250	1/4 NC ESNA LOCKNUT - PLTD	12		MNT5061131	RH MOUNT, DOOR STAY	1
14	SPC0016465	TWINE GUIDE COVER SPACER	6		SMT0002001	5/16 X 3/4 NC MACH. SCREW - PLTD	4
15	RET0023771	RETAINER, TWINE BALL	18		NMS0000117	5/16 NC WHIZ NUT - PLTD	4
	SMR0001001	1/4 X 3/4 NC MACH. SCREW - PLTD	18				
	WLK0000250	1/4 MEDIUM LOCKWASHER PLTD	18				
	NCH0000250	1/4 NC HEX NUT - PLTD	18				

**TOP TWINE BOX ASSEMBLY**

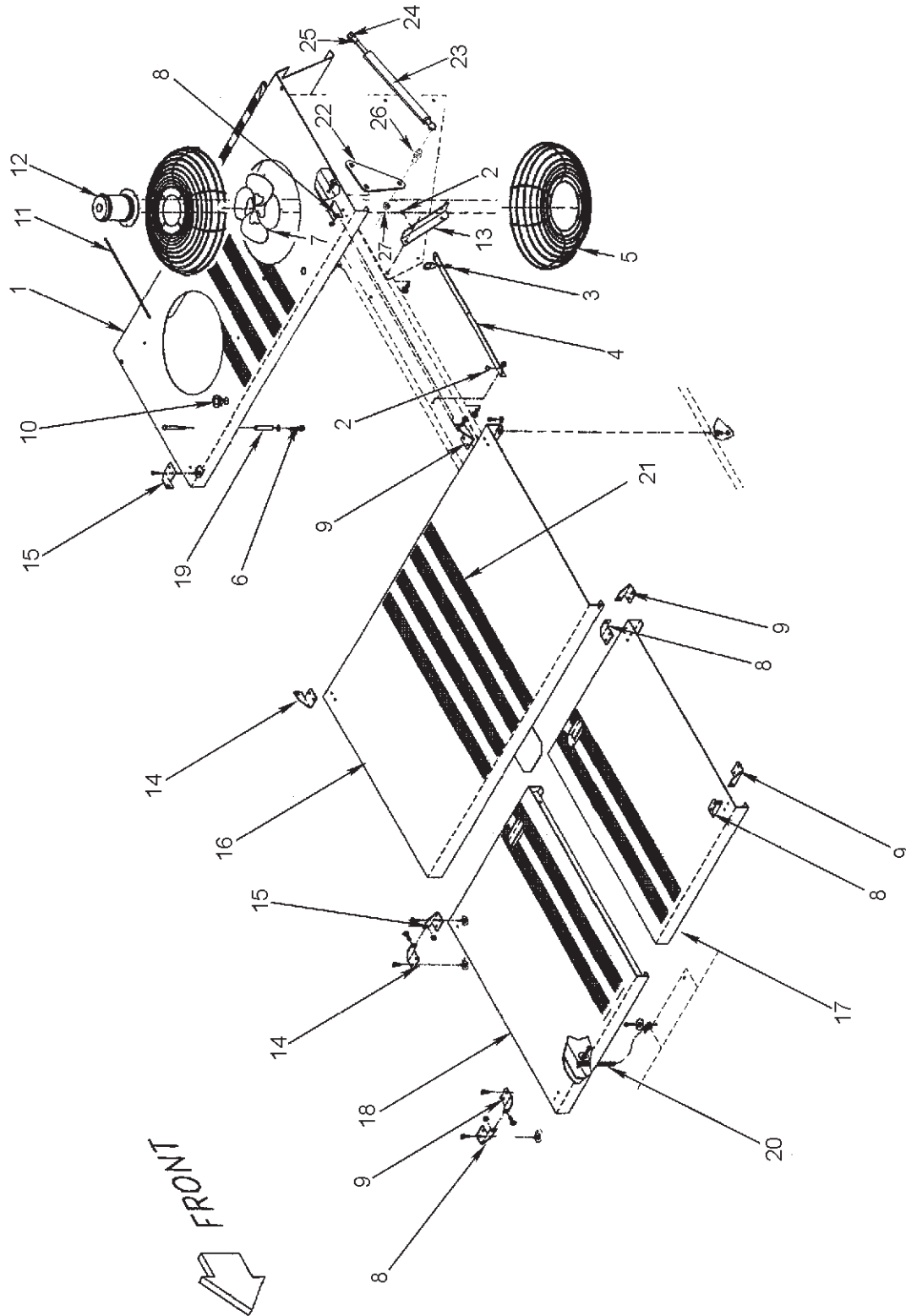


---

## TOP TWINE BOX ASSEMBLY

REF NO.	PART NO.	DESCRIPTION	QTY. USED
	BOX037625E	TOP TWINE BOX ASSY	
1	BOX036460E	TOP TWINE BOX RIGHT END	1
2	BOX036461E	TOP TWINE BOX LEFT END	1
3	BOX037626E	SPLIT TOP TWINE BOX BACK	1
4	BOX037627E	SPLIT TOP TWINE BOX FRONT	1
5	BOX037628E	TOP TWINE BOX LID	1
6	HNG0000810	HINGE FOR TWINE BOX (PAIR)	2
7	HAN0017239	HANDLE F/TWINE BOX LID	1
8	F000000856	TWINE & WIRE GUIDE BUSHING	3
9	F000000857	SNAP RING F/TWN GUIDE BUSHING	3
10	CVR0016464	TWINE GUIDE COVER	3
14	SCC0010000	HEX HEAD CAP 1/4-20 X 1/2 - PLATED	20
15	SMT0001000	TRUSS HD SLT MACH SCRW 1/4 X 1/2	12
16	NMS0000250	WHIZ NUT 1/4-20 - PLATED	64
17	SCC0010001	HEX CAP SCREW,1/4-20 X 3/4 -PLATED	12
18	NCE0000250	ESNA NUT NC 1/4" - PLATED	4

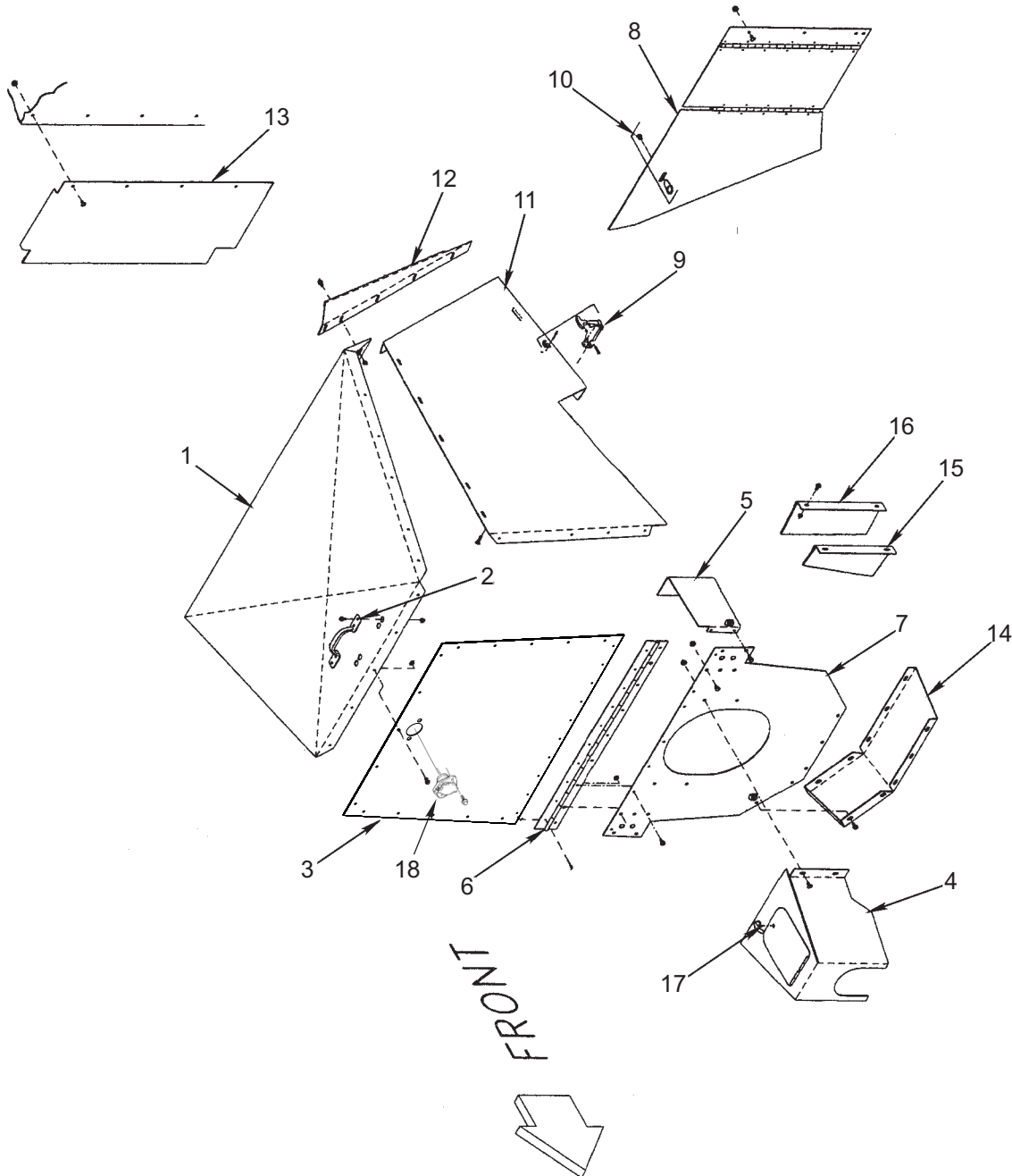
**TOP COVERS AND KNOTTER FANS ASSEMBLY**



## TOP COVERS AND KNOTTER FANS ASSEMBLY

REF NO.	PART NO.	DESCRIPTION	QTY. USED	REF NO.	PART NO.	DESCRIPTION	QTY. USED
1	CVR037639E	KNOTTER FAN SHROUD ASSEMBLY	1	14	HNG1598500	L. H. PLUNGER COVER HINGE SECT	3
2	BMP0004243	RUBBER BUMPER F/HOOD	10		NMS0000250	1/4 NC WHIZ NUT - PLTD	6
3	FST0010401	MED DUTY FOLDING HANDLE FASTNR	2		SMS0000171	1/4 X 5/8 NC WHIZ BOLT - PLTD	6
4	900014	LH KNOTTER COVER SUPPORT	1	15	HNG1598600	L. H. PLUNGER COVER HINGE SECT	3
	900015	RH KNOTTER COVER SUPPORT	1		NMS0000250	1/4 NC WHIZ NUT - PLTD	6
	NMS0000117	5/16 NC WHIZ NUT - PLTD	2		SMS0000171	1/4 X 5/8 NC WHIZ BOLT - PLTD	6
5	GRD0004432	CAGE F/KNOTTER BLOWER-COMPLETE	2		SCC0020001	5/16 X 3/4 NC GRD 5 HEX BOLT - PLTD	1
6	CLP0022526	FAN GUARD CLIP	16		NCE0000313	5/16 LOCK NUT NYLON INSERT	1
	WCT0000250	1/4 FLAT WASHER	8	16	CVR0023300	REAR PLUNGER COVER ASSY	1
	NMS0000250	1/4 NC WHIZ NUT - PLTD	8		WCT0000250	1/4 FLAT WASHER	4
7	FAN0250937	FAN BLADE F/KNOTTER BLOWER	2		WLK0000250	1/4 S/T LOCK WASHER	2
8	HNG1598501	R. H. PLUNGER COVER HINGE SECT	3		NCH0000250	1/4 NC HEX NUT - PLTD	2
	NMS0000250	1/4 NC WHIZ NUT - PLTD	6		SCC0010001	1/4 X 3/4 NC GRD 5 HEX BOLT	2
	SMS0000171	1/4 X 5/8 NC WHIZ BOLT - PLTD	6	17	CVR037735D	RH HALF PLUNGER CVR,SHLD	1
9	HNG1598601	R. H. PLUNGER COVER HINGE SECT	3	18	CVR037736D	LH HALF PLUNGER CVR,SHLD	1
	NMS0000250	1/4 NC WHIZ NUT - PLTD	6	19	SPC0506402	SPACER, KNOTTER FANS	8
	SMS0000171	1/4 X 5/8 NC WHIZ BOLT - PLTD	6		SCC0000110	1/4 X 3 HEX HD BOLT GRD 5 - PLTD	8
	SCC0020001	5/16 X 3/4 NC GRD 5 HEX BOLT - PLTD	1	20	CHN0506116	CHAIN 3/6 LONG LINK	2
	NCE0000313	5/16 LOCK NUT NYLON INSERT	1		SCC0010002	1/4 X 1 NC GRD 5 HEX BOLT	2
10	GRM0002285	7/8ID 1-1/8OD 1/16GRV GROMMET	2		WCT0000250	1/4 FLAT WASHER	2
11	CBT5151250	3/16 X 15-1/8 CABLE TIE	4	21	219382	TAPE, SAFETY WALK 4 WIDE	A/R
12	MTR0022706	KNOTTER FAN MOTOR W/LEADS	2	22	MNT037717A	FAN SHROUD SPRING MOUNT	1
	NFH0001032	10-32 NF HEX NUT - PLTD	4	23	SPG0000090	90 LB GAS SPRING	1
	WCT0010000	#10 FLAT WASHER	4	24	SOK0000001	METAL BALL SOK END FITTING	2
13	SUP5061231	RH KNOTTER COVER SUPPORT	1	25	CLP0000002	SAFETY CLIPS F/10MM BALL	2
	SUP5061240	LH KNOTTER COVER SUPPORT	1	26	STD0000M10	M10 BALL STUD	2
	NMS0000117	5/16 NC WHIZ NUT - PLTD	4	27	NMS0000117	WHIZ NUT 5/16-18 PLATED	1
	SMS0000184	5/16 X 3/4 NC WHIZ BOLT - PLTD	4				

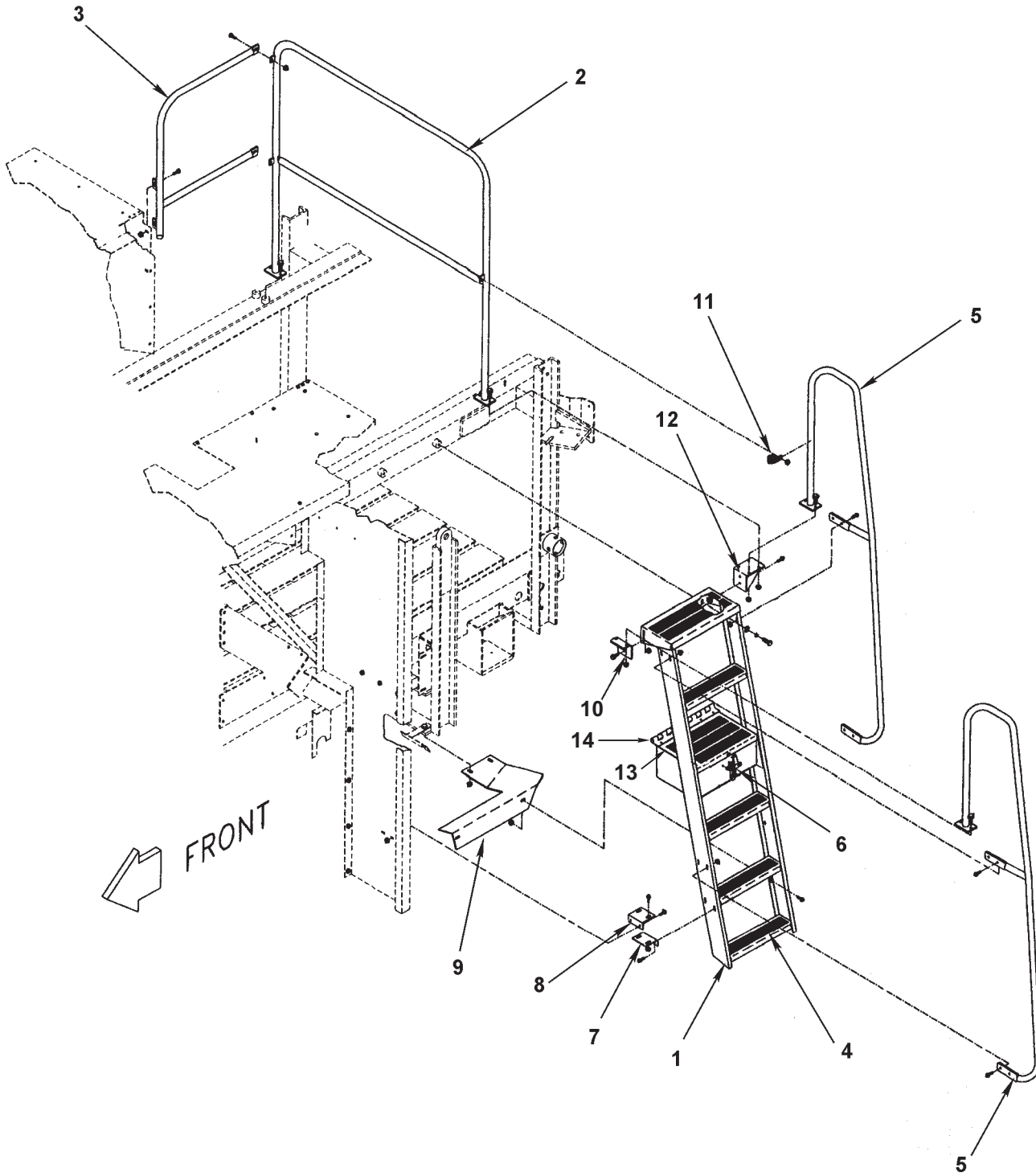
**DRIVE UNIT SHIELDS ASSEMBLY**



## DRIVE UNIT SHIELDS ASSEMBLY

REF NO.	PART NO.	DESCRIPTION	QTY. USED	REF NO.	PART NO.	DESCRIPTION	QTY. USED
1	SHD0023412	DRIVE UNIT TOP SHIELD	1	12	SHD0235000	L. H. DRIVE UNIT DUST SHD	1
2	HAN0000817	CHROME GRAB HANDLE-	1		SHD0235001	R.H. DRIVE UNIT DUST SHD	1
	SMS0000171	1/4 X 5/8 NC WHIZ BOLT - PLTD	4		SMS0000171	1/4 X 5/8 NC WHIZ BOLT - PLTD	10
	NMS0000240	1/4 NC WHIZ NUT - PLTD	4		NMS0000240	1/4 NC WHIZ NUT - PLTD	10
3	SHD036133E	UPPER FRONT SHEAVE SHIELD	1	13	SHD0234050	TOP FRONT SHIELD, LEFT	1
	SMS0000171	1/4 X 5/8 NC WHIZ BOLT - PLTD	4		SHD0234051	TOP FRONT SHIELD, RIGHT	1
	NMS0000240	1/4 NC WHIZ NUT - PLTD	4		SMT0002001	5/16 X 3/4 MACHINE SCREW - PLTD	8
4	SHD0506642	SHIELD, PTO CLUTCH COVER	1		NMS0000117	5/16 NC WHIZ NUT - PLTD	8
	SMT0002001	5/16 X 3/4 MACHINE SCREW - PLTD	4	14	SHD0023422	MAIN SHEAVE BOTTOM SHIELD	1
	NMS0000117	5/16 NC WHIZ NUT - PLTD	4		SMS0000171	1/4 X 5/8 NC WHIZ BOLT - PLTD	10
5	SHD0235080	L. H. SHEAVE DUST SHIELD	1		NMS0000240	1/4 NC WHIZ NUT - PLTD	10
	SHD0235081	R. H. SHEAVE DUST SHIELD	1	15	SHD0237720	LH SIDE DUST SHD ASSY	1
	SMS0000171	1/4 X 5/8 NC WHIZ BOLT - PLTD	4		SHD0237721	RH SIDE DUST SHD ASSY	1
	NMS0000240	1/4 NC WHIZ NUT - PLTD	4		SMS0000171	1/4 X 5/8 NC WHIZ BOLT - PLTD	4
6	HNG0023458	SHEAVE FRONT SHIELD HINGE	1		NMS0000240	1/4 NC WHIZ NUT - PLTD	4
	RIV0000604	3/16X1/4 STAINLESS GRIP RIVET	14	16	SHD0237730	L.H. REAR DUST SHD ASSY	1
7	SHD0023442	SHEAVE FRONT LOWER SHIELD-	1		SHD0237731	R.H. REAR DUST SHD ASSY	1
	SMS0000171	1/4 X 5/8 NC WHIZ BOLT - PLTD	9		SMS0000171	1/4 X 5/8 NC WHIZ BOLT - PLTD	4
	NMS0000240	1/4 NC WHIZ NUT - PLTD	9		NMS0000240	1/4 NC WHIZ NUT - PLTD	4
8	CVR0234290	LH FRONT ACCESS COVER ASY	1	17	SHD0237730	L.H. REAR DUST SHD ASSY - 1592	1
	CVR0234291	RH FRONT ACCESS COVER ASY	1	18	SOK0012063	SOCKET-7 CONDUCTOR	1
	SMS0000171	1/4 X 5/8 NC WHIZ BOLT - PLTD	4				
	NMS0000240	1/4 NC WHIZ NUT - PLTD	4				
9	LAT0000201	RUBBER DRAW LATCH	2				
10	FST0010401	MED DUTY FOLDING HANDLE FASTNR	2				
11	SHD037103E	L.H. DRV UNIT SHIELD ASB	1				
	SHD0235051	R.H. DRV UNIT SHIELD ASB	1				
	SMS0000171	1/4 X 5/8 NC WHIZ BOLT - PLTD	10				
	NMS0000240	1/4 NC WHIZ NUT - PLTD	10				

**SERVICE LADDER AND HANDRAILS ASSEMBLY**

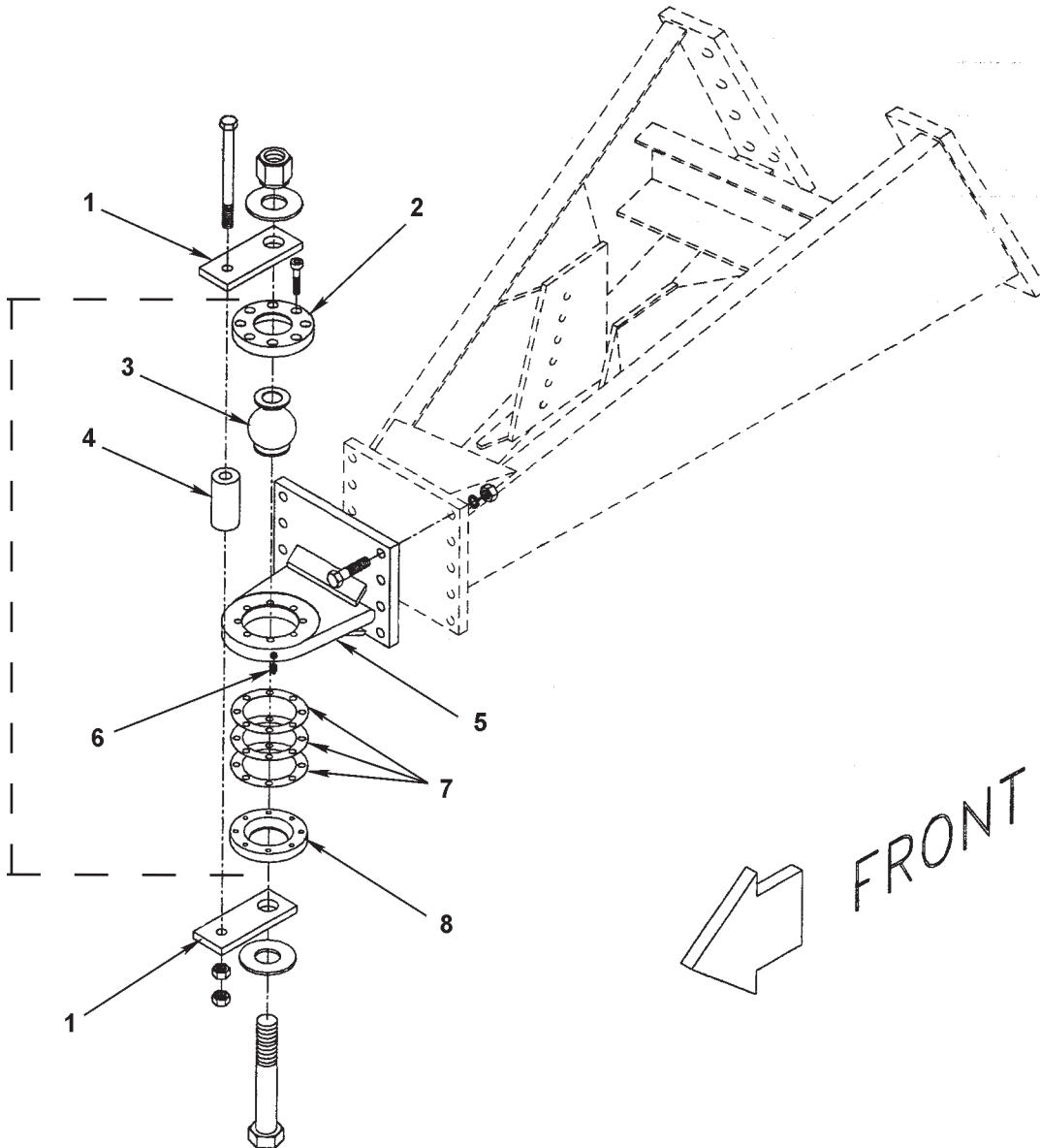




## SERVICE LADDER AND HANDRAILS ASSEMBLY

REF NO.	PART NO.	DESCRIPTION	QTY. USED	REF NO.	PART NO.	DESCRIPTION	QTY. USED
1	LDR0023313	SERVICE LADDER ASSEMBLY -	1	7	BRC0025407	SERVICE LADDER BRACE-AFT/4-92	1
	SMS0000184	5/16 X 3/4 NC WHIZ BOLT - PLTD	2		SMS0000184	5/16 X 3/4 NC WHIZ BOLT - PLTD	2
	NMS0000117	5/16 NC WHIZ NUT - PLTD	2		NMS0000117	5/16 NC WHIZ NUT - PLTD	2
	SCC0030002	3/8 X 1 NC HT CAPSCREW - PLTD	2	8	BRC0025406	SERVICE LADDER BRACE-AFT/4-92	1
	WLK0000375	3/8 MEDIUM LOCK WASHER - PLTD	2		SMS0000184	5/16 X 3/4 NC WHIZ BOLT - PLTD	2
	WCT0000375	3/8 FLAT WASHER - PLTD	2		NMS0000117	5/16 NC WHIZ NUT - PLTD	2
2	RAL0024153	REAR RAIL ASSEMBLY	1	9	SUP0023344	LADDER SUPPORT	1
	SMS0000177	5/16 X 1 NC WHIZ BOLT - PLTD	2		SMS0000177	5/16 X 1 NC WHIZ BOLT - PLTD	2
	NMS0000117	5/16 NC WHIZ NUT - PLTD	2		NMS0000117	5/16 NC WHIZ NUT - PLTD	2
	SMS0000181	3/8 X 3/4 NC WHIZ BOLT - PLTD	2	10	BKT0023510	SERV LADDER HANDRAIL TOP BKT	1
3	RAL0024152	SIDE RAIL ASSEMBLY	1		SMS0000177	5/16 X 1 NC WHIZ BOLT - PLTD	2
	SMS0000184	5/16 X 3/4 NC WHIZ BOLT - PLTD	4		NMS0000117	5/16 NC WHIZ NUT - PLTD	2
	NMS0000117	5/16 NC WHIZ NUT - PLTD	4	11	CLP7701163	1"INSULATED HOSE CLP W/13/32"	2
4	STP0002000	STEP COVER-SAFETY WALK 2"	10		SMS0000184	5/16 X 3/4 NC WHIZ BOLT - PLTD	1
5	RAL0023318	SERVICE LADDER HANDRAIL ASSY.	2		NMS0000117	5/16 NC WHIZ NUT - PLTD	1
	SMS0000184	5/16 X 3/4 NC WHIZ BOLT - PLTD	8	12	BKT0024175	LADDER HANDRAIL BRACKET	1
	NMS0000117	5/16 NC WHIZ NUT - PLTD	12		SMS0000177	5/16 X 1 NC WHIZ BOLT - PLTD	2
	SMS0000177	5/16 X 1 NC WHIZ BOLT - PLTD	4		NMS0000117	5/16 NC WHIZ NUT - PLTD	2
6	CLP0000130	HOOK-TYPE FASTENER	1	13	CVR0023598	TOOL BOX COVER ASSEMBLY	1
	RIV0000604	3/16X1/4 STAINLESS GRIP RIVET	12	14	HNG0023485	HINGE	1

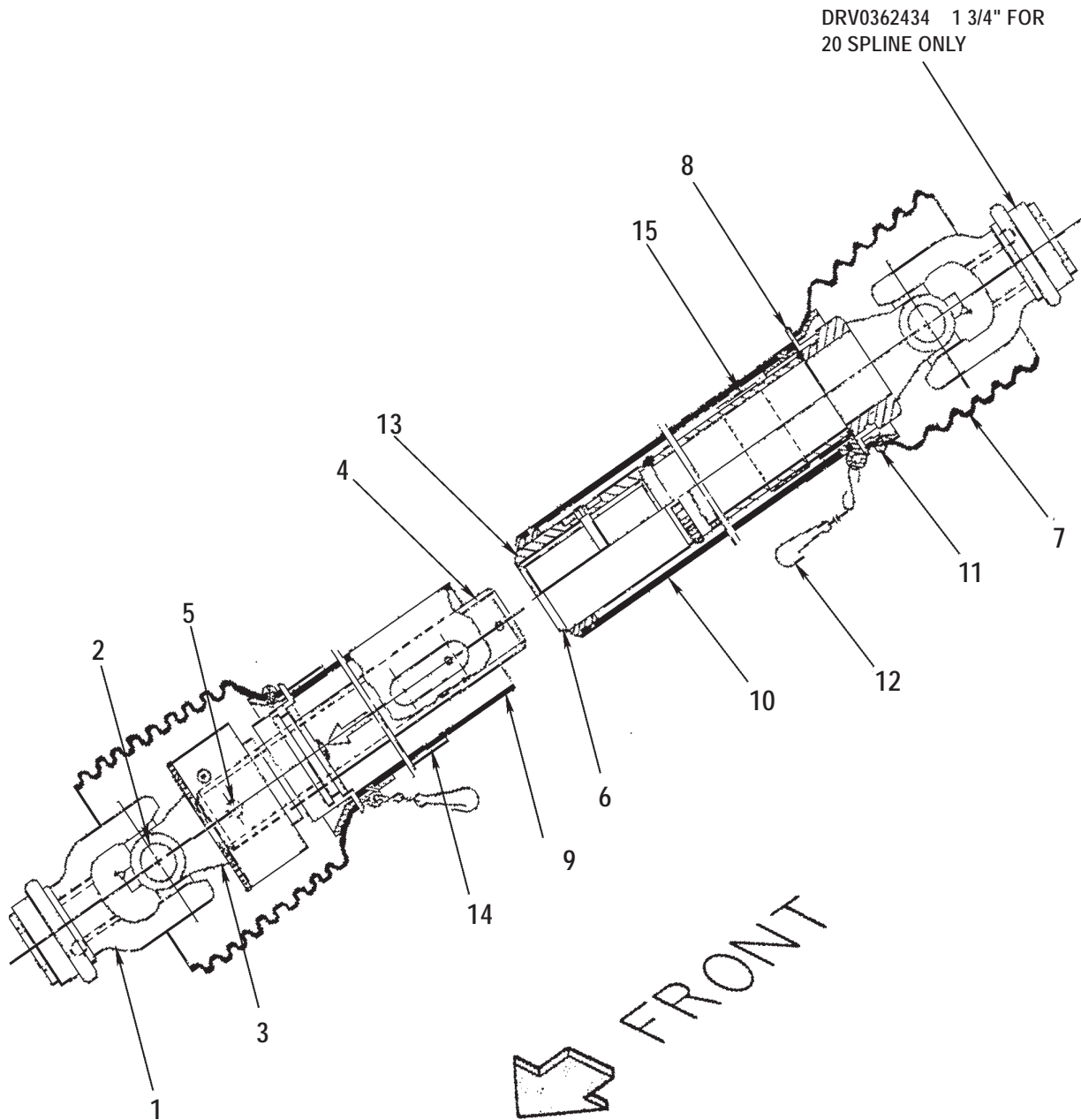
**BALL HITCH ASSEMBLY**



## BALL HITCH ASSEMBLY

REF NO.	PART NO.	DESCRIPTION	QTY. USED
1	PLT0021488	CLEVIS PIN PLATE	2
	SCC0000721	5/8 X 7-1/2 NC HT CAP SCREW	1
	NCH0000625	5/8 NC HEX NUT PLTD	2
2	PLT0021486	BALL HITCH TOP PLATE	1
	SCS0000306	3/8 X 2 NC SOCKET HD CS - PLTD	8
3	HTH0021490	HITCH BALL	1
4	SPC0021489	CLEVIS PLT SPACER	1
	SCC0001325	1-1/4 X 9-1/2 NC HT CAP SCREW	1
	WCT0125000	1-1/4" FLATWASHER	2
	NCE0012500	1-1/4" NC ESNA NUT - PLTD	1
5	HTH0021484	OPTIONAL BALL HITCH MOUNT	1
	SCC0070008	5/8 X 2-1/2 NC HT CAPSCREW - PLTD	8
	WLK0000625	5/8 MEDIUM LOCKWASHER - PLTD	8
	NCH0000625	5/8 NC HEX NUT - PLTD	8
6	ZZ 0000103	1/8 NPT STR 5/16 HEX ZERK	1
7	SHM0021483	HITCH BALL SHIM	4
8	PLT0021487	BALL HITCH BOTTOM PLATE	1
2-8	KIT0015001	HEAVY BALL HITCH ASSY	

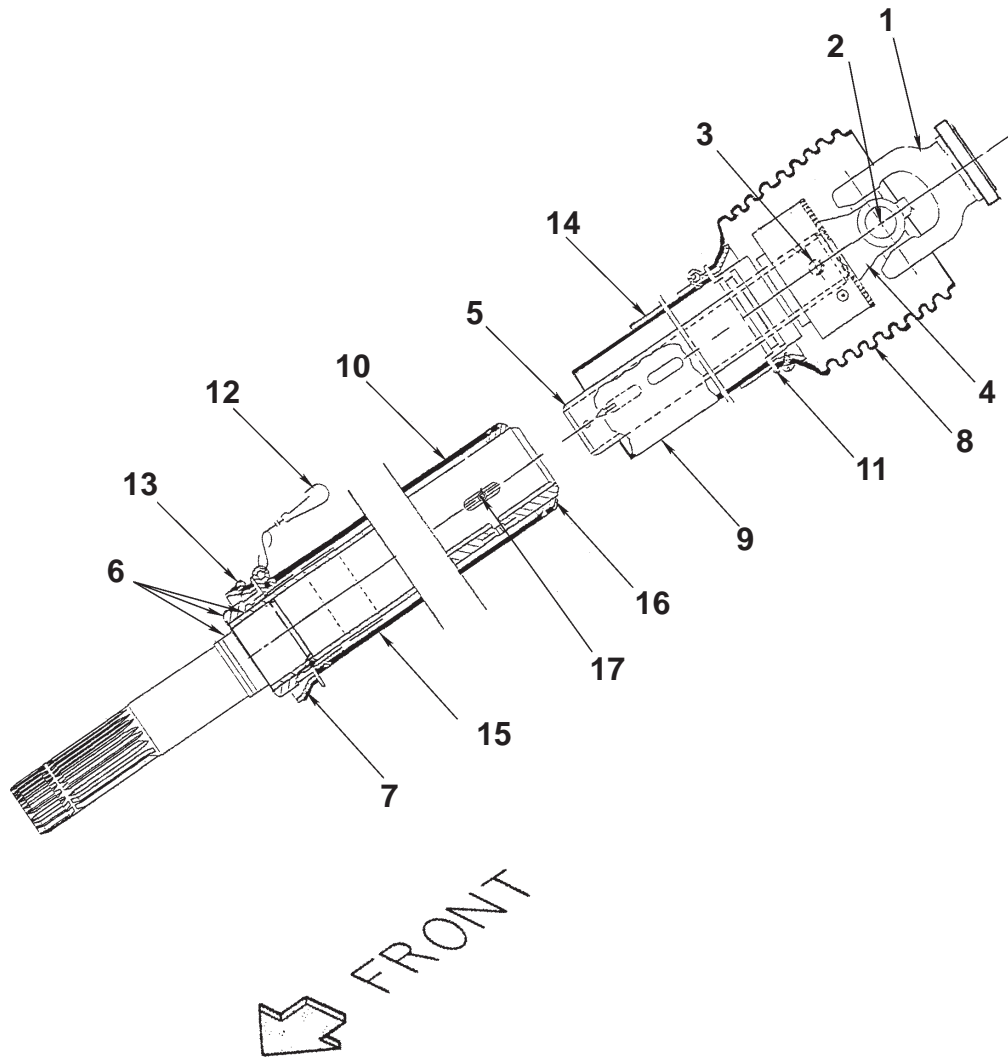
**P.T.O. SHAFT ASSEMBLY**



## P.T.O. SHAFT ASSEMBLY

REF NO.	PART NO.	DESCRIPTION	QTY. USED
1	DRV0362430	FRONT YOKE 1 3/8" FOR 21 SPLINE	1
	DRV0362434	FRONT YOKE 1 3/4" FOR 20 SPLINE	1
2	DRV0312209	U-JOINT KIT F/1500 REAR DRVLIN	2
3	YOK0174039	INBOARD YOKE F/DRV389774 1-3/4	1
4	DRV0388944	INNER PROFILE FOR 20 SPLINE	1
	DRV0388242	INNER PROFILE FOR 21 SPLINE	1
5	DRV0304046	SPRING PACK	1
6	DRV0389775	SLEEVE, TUBE & INBOARD YOKE 20SP	1
	DRV0388243	SLEEVE, TUBE & INBOARD YOKE 21SP	1
7	DRV0365387	SHIELD CONE 7-RIB	2
8	DRV0087276	BEARING RING	2
9	DRV0389772	OUT SHIELD TUBE OVL	1
	DRV0389776	OUT SHIELD TUBE OVL	1
10	DRV0389773	INN. SHIELD TUBE ROUND	1
	DRV0389777	INN. SHIELD TUBE ROUND	1
11	DRV0365305	SCREW	2
12	CHN0044321	SAFETY CHAIN	2
13	DRV0355155	SUPPORT BEARING	1
14	DRV0383333	DECAL OUT. IN ITEM 11	1
15	DRV0383334	DECAL INN. IN ITEM C	1

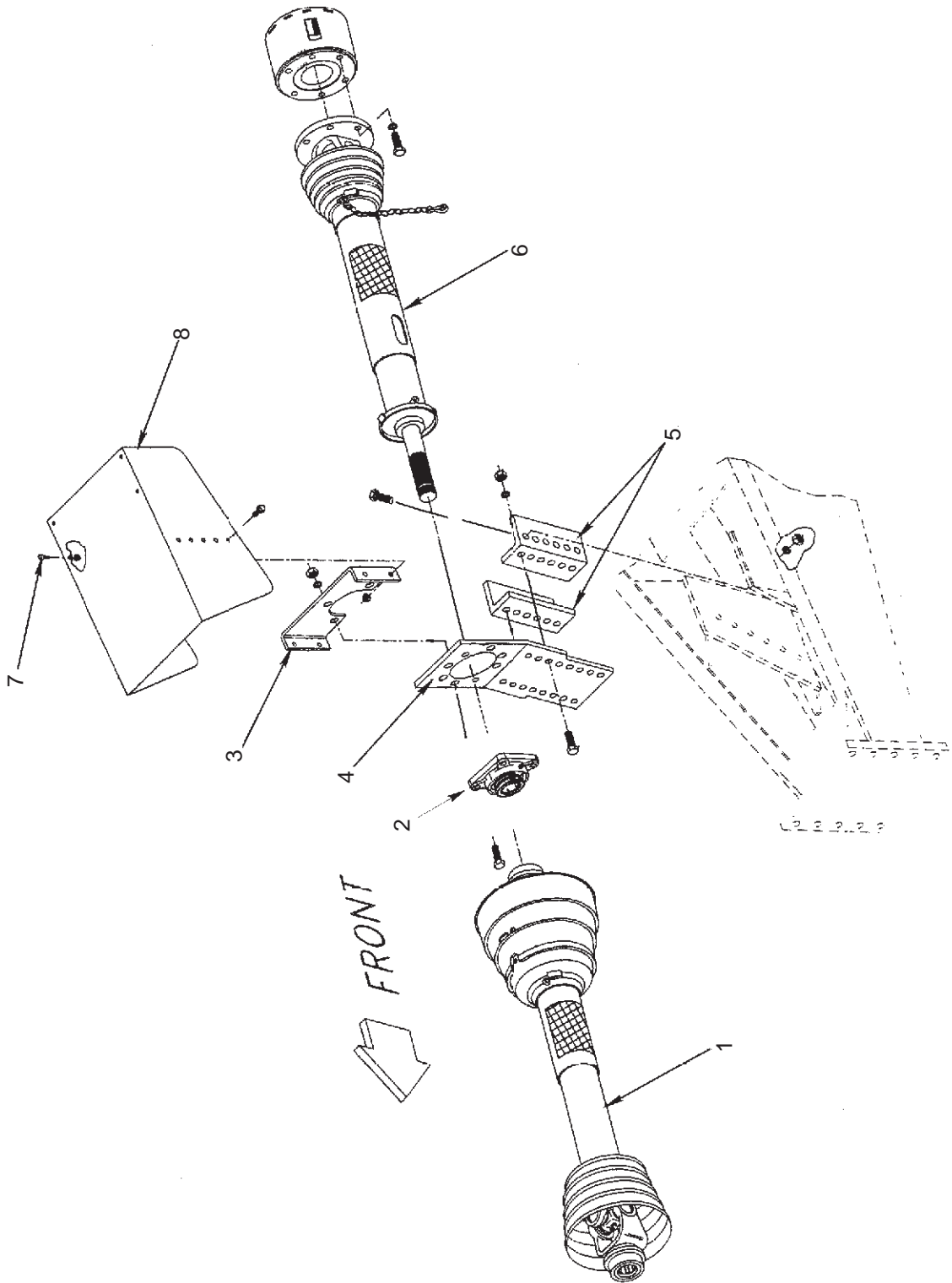
**P.T.O. SHAFT ASSEMBLY**



## P.T.O. SHAFT ASSEMBLY

REF NO.	PART NO.	DESCRIPTION	QTY. USED
1	DRV0323155	FLANGE YOKE	1
2	DRV0312209	U-JOINT KIT F/1500 REAR DRVLIN	1
3	DRV0304046	SPRING PACK	1
4	DRV0097133	INBOARD YOKE S4	1
5	DRV0323756	INNER PROFILE S4	1
6	DRV0389778	S5 PROFILE, SLEEVE, SHEILD SUPPORT & STUB SHAFT	1
7	DRV0365556	GUARD RING	1
8	DRV0365385	SHIELD CONE - 5 RIB	1
9	DRV0389780	OUTER SHIELD TUBE OVAL	1
10	DRV0389781	INNER SHIELD TUBE RND	1
11	DRV0087276	BEARING RING	2
12	CHN0044321	SAFETY CHAIN	1
13	DRV0365305	SCREW	2
14	DRV0383333	DECAL OUT. IN ITEM 11	1
15	DRV0383334	DECAL INN. IN ITEM C	1
16	DRV0355155	SUPPORT BEARING	1
17	DRV0380371	ZERK FITTING	1

**3-PIECE P.T.O. DRIVE LINE ASSEMBLY**

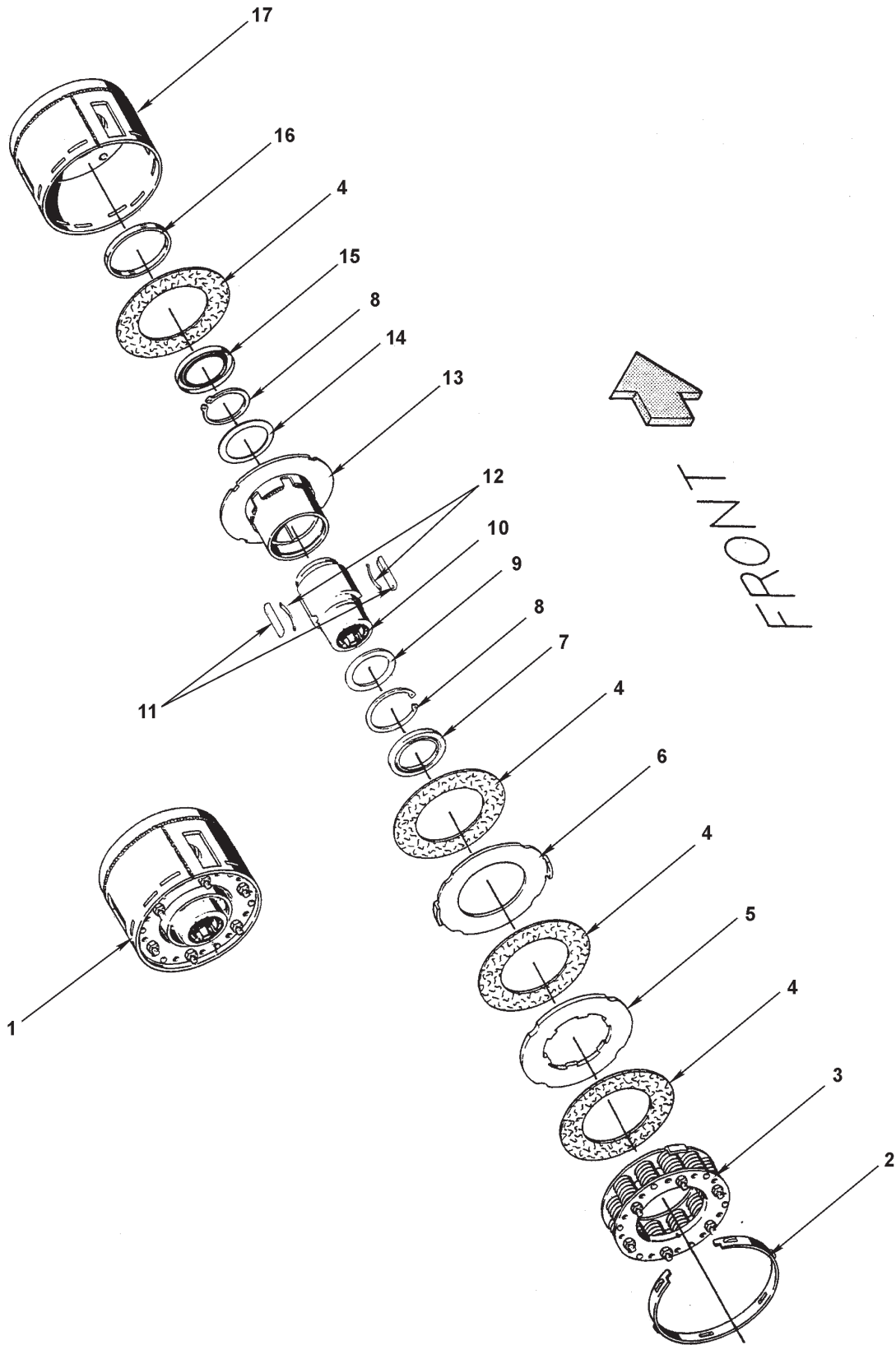




### 3-PIECE P.T.O. DRIVE LINE ASSEMBLY

REF NO.	PART NO.	DESCRIPTION	QTY. USED
1	DRV0389771	1-3/8"X21 FRNT SHF F/3PC DRVLN	1
	DRV0389774	1-3/4"X20 FRNT SHF F/3PC DRVLN	1
2	BRG0000022	HEAVY DUTY CENTER BEARING	1
	SCC0050004	1/2 X 1-1/2 NC HT CS - PLATED	4
	WLK0000500	1/2" LOCKWASHER - PLATED	4
	NCH0000500	1/2" NC HEX NUT - PLATED	4
3	BKT0027448	PTO SHAFT SHIELD BRACKET	1
	SCC0050004	1/2 X 1-1/2 NC HT CS - PLATED	4
	WLK0000500	1/2" LOCKWASHER - PLATED	4
	NCH0000500	1/2" NC HEX NUT - PLATED	4
4	MNT0028883	PTO SHAFT BRG MNT-A/8-94	1
	SCC0050004	1/2 X 1-1/2 NC HT CS - PLATED	4
	WLK0000500	1/2" LOCKWASHER - PLATED	4
	NCH0000500	1/2" NC HEX NUT - PLATED	4
5	ANG0027391	PTO SHF CTR BRG MNT ANGLE	2
	SCC0050004	1/2 X 1-1/2 NC HT CS - PLATED	4
	WLK0000500	1/2" LOCKWASHER - PLATED	4
	NCH0000500	1/2" NC HEX NUT - PLATED	4
6	DRV0389779	SECONDARY SHAFT F/3PC DRIVLINE	1
	SCCM112025	12M X 25M MC HEX HD CS-PLT-8.8	6
	WLKM100120	12 MM LOCKWASHER - PLATED	6
7	BMP0093769	MOUNT,SANDWICH SNGL STUD	2
	NMS0000250	1/4" NC WHIZ NUT - PLATED	2
8	SHD037078E	PTO SHAFT SHIELD -W/DECAL	1
	SMS0000184	5/16 X 3/4 NC WHIZ BOLT-PLATED	4
	NMS0000117	5/16" NC WHIZ NUT- PLATED	4
	BMP0093769	MOUNT,SANDWICH SNGL STUD	2

**P.T.O. CLUTCH ASSY ASSEMBLY**

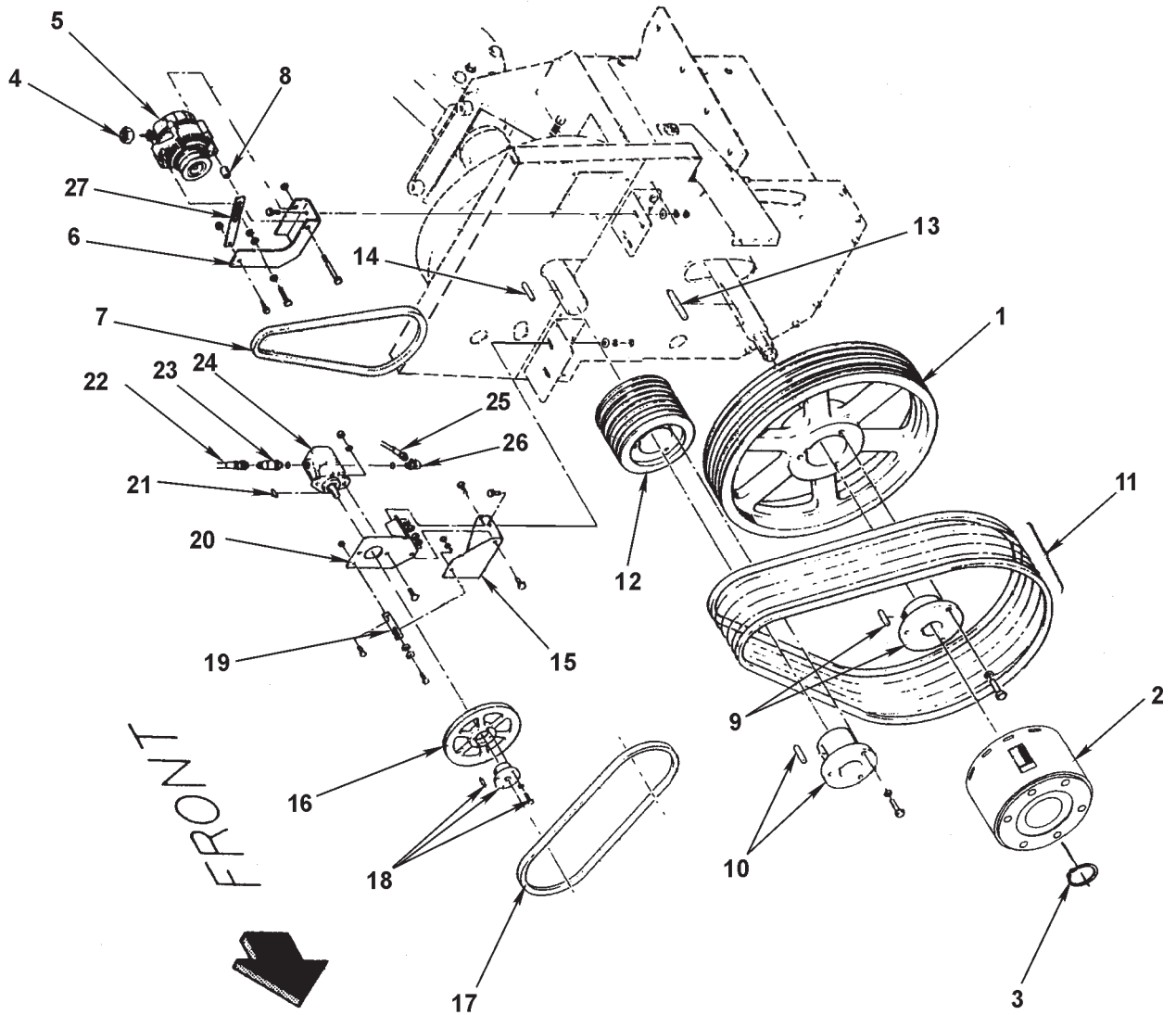


---

**P.T.O. CLUTCH ASSY ASSEMBLY**

REF NO.	PART NO.	DESCRIPTION	QTY. USED
1	CLH0388110	TORQUE LIMITER CLUTCH	1
2	RNG0367720	SETTING RING	1
3	CLH0377672	HEAVY DUTY SPRING PACK	1
4	CLH0177009	FRICTION DISK	4
5	PLT0367725	DRIVE PLATE	1
6	PLT0367726	DRIVE PLATE	1
7	RNG0170012	SEALING RING	1
8	RNG0702100	RETAINING RING	2
9	DSK0304235	WASHER	1
10	DRV0388109	HUB 1-3/4" 6 SPLINE	1
11	KEY0331737	KEY	2
12	SPG0332185	LEAF SPRING	2
13	HSN0177008	HOUSING & DRIVE PLATE	1
14	DSK0353203	WASHER	1
15	RNG0175048	SEAL RING	1
16	RNG0367718	RING	1
17	HSN0388108	CLUTCH HOUSING	1

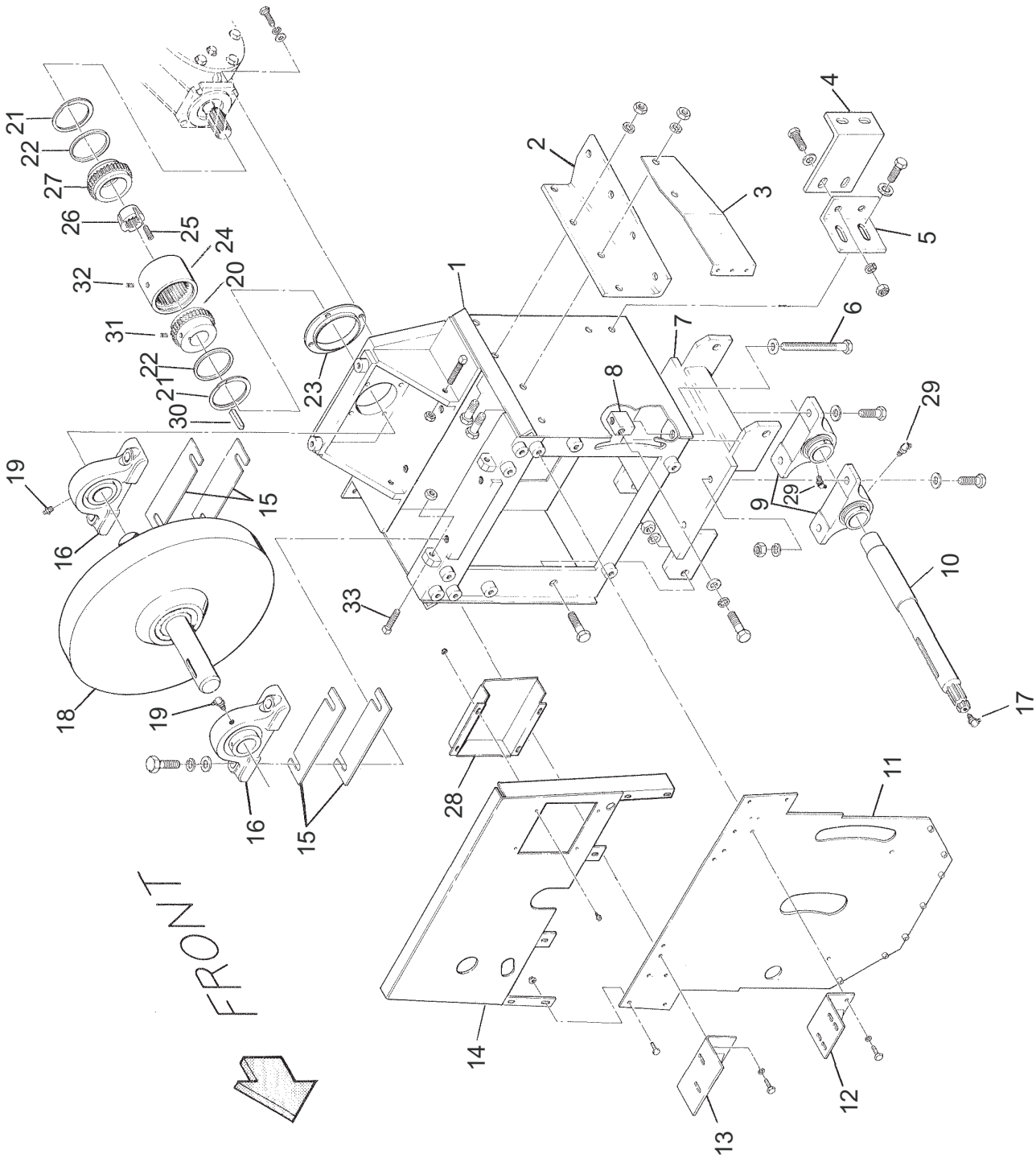
**MECHANICAL DRIVE UNIT**



## MECHANICAL DRIVE UNIT

REF NO.	PART NO.	DESCRIPTION	QTY. USED	REF NO.	PART NO.	DESCRIPTION	QTY. USED
1	SHV0000250	SHEAVE	1		WLK0000375	3/8" MEDIUM LOCKWASHER - PLTD	2
2	CLH0388110	NEW CLUTCH-TORQUE	1		SCC0030002	HEX HEAD CS 3/8-16 X 1"GRADE 5	2
3	RNG5160175	1-3/4"H.D.EXTERNAL SNAP RING	1		NCH0000375	HEX NUT NC 3/8 - PLATED	2
4	NCHM008125	GR 8.8 HEX NUT 8M X 1.25 MC	1		WCT0000375	FLAT WASHER 3/8 USS	2
5	ALT1002116	ALTERNATOR	1	16	SHV0000079	SHEAVE	1
	WCT0000313	FLAT WASHER 5/16 -PLATED	2	17	BLT0000042	COG BELT-MECHANICAL DRIVE UNIT	1
	SCCM108035	8M X 1.25 X 35 HEX HEAD CAP SCREW	1	18	BSH0005625	"H" X 9/16"BUSHING	1
	WLKM100080	8 MM DIN 127 LOCKWASHER	1		WLK0000250	LOCKWASHER 1/4" - PLATED	3
6	BKT0023414	ALTERNATOR MOUNT BRACKET	1	19	BKT0015770	TNS CNTRL PUMP TENSION BRACKET	1
	WLK0000375	3/8" MEDIUM LOCKWASHER - PLTD	2		SCC0020002	HEX HEAD CAP SCREW 5/16-18 X 1	1
	SCC0030002	HEX HEAD CS 3/8-16 X 1"GRADE 5	2		WCT0000313	FLAT WASHER 5/16 -PLATED	2
	NCH0000375	HEX NUT NC 3/8 - PLATED	2		NCH0000313	HEX NUT NC 5/16 - PLATED	1
	WCT0000375	FLAT WASHER 3/8 USS	2		WLK0000313	5/16" MEDIUM LOCKWASHER	1
7	BLT0000038	ALTERNATOR COG BELT	1		SCC0020001	HEX HD CS NC 5/16 X 3/4 - PLATED	1
8	SPC0028022	ALTERNATOR SPACER	1		NCE0000313	ESNA NUT NC 5/16 - PLATED	1
	NCE0000375	ESNA NUT 3/8-16 PLATED	1	20	MNT0018742	SAE "AA" 2-BOLT PUMP MNT	1
	SCC0030013	HEX HD CS NC 3/8 X 3-3/4 - PLATED	1		WLK0000375	FLAT WASHER 3/8 USS	2
9	BSH0121875	S1X2-3/16 BUSHING	1		NCH0000375	HEX NUT NC 3/8	2
	WLK0000500	1/2" MEDIUM LOCKWASHER - PLATED	3		SCC0030002	HEX HEAD CAP SCREW 3/8-16 X 1"	2
	SCC0050007	1/2-13 X 2-1/4 CAP SCREW-PLATED	3	21	ZZ00000403	1/8 X 1/8 X 1 KEY	1
10	BSH0221875	R2 X 2-3/16" BUSHING	1	22	HOS0023494	TENSION PUMP SUCTION HOSE	1
	SCS0000306	5/8 X 2 NC HT CS - PLATED	3	23	HYD5515045	1/2 JIC X 5/8 O-RING 90* ELBOW	1
	WLK0000375	3/8" MEDIUM LOCKWASHER - PLTD	3	24	PMP0022226	LEFT HAND PUMP	1
11	BLT0005950	BELT-COG (COG BELT)	6		NCH0000375	HEX NUT NC 3/8 - PLATED	2
12	SHV0000080	FLYWHEEL & DRIVE SHEAVE	1		SCC0030002	HEX HEAD CS 3/8-16 X 1"GRADE 5	2
13	ZZ00000438	3/8 X 3/8 X 1 KEY	1		WLK0000375	3/8" MEDIUM LOCKWASHER - PLTD	2
14	F000000072	KEY F/ FLYWHEEL & PINION SHAFT	1	25	HOS036690A	TENSION PUMP HOSE	1
15	MNT0023288	TENS CONTROL PUMP MNT BKT	1	26	HYD5515043	1/2 JIC X 3/8 O-RING 90* ELBOW	1
				27	BKT0023423	ALTERNATOR BELT TENSION BRACKET	1
					SCC0020001	HEX HD CS NC 5/16 X 3/4 - PLATED	1
					NCE0000313	ESNA NUT NC 5/16 - PLATED	1

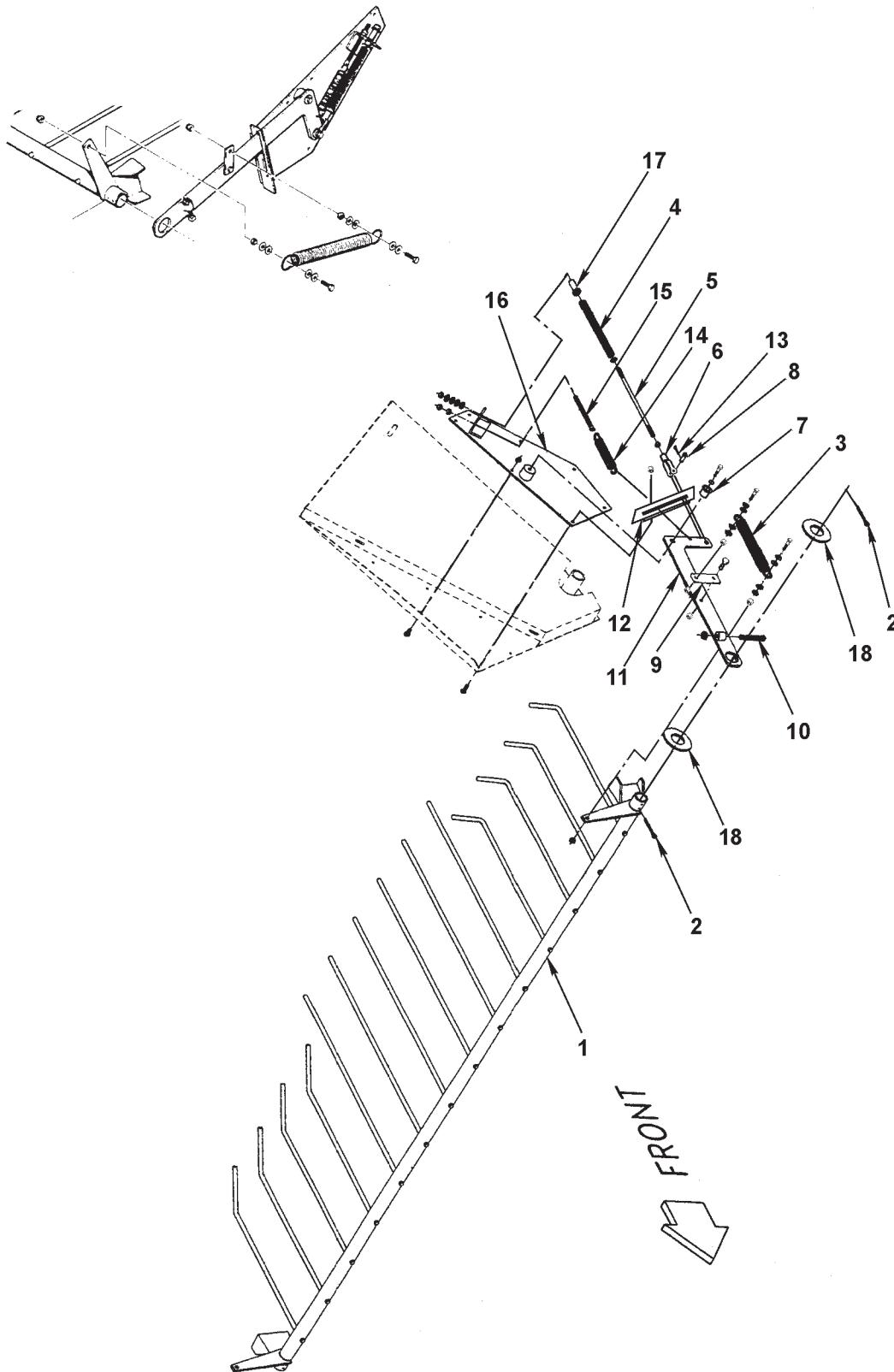
**MECHANICAL DRIVE UNIT ASSEMBLY CONTINUED**



## MECHANICAL DRIVE UNIT ASSEMBLY CONTINUED

REF NO.	PART NO.	DESCRIPTION	QTY. USED	REF NO.	PART NO.	DESCRIPTION	QTY. USED
1	FRM037528E	FLYWHEEL MOUNT FRAME	1	11	SHD0023440	FLYWHEEL FRONT SHIELD BOTTOM	1
2	BKT0216260	L. H. FLYWHEEL FRAME MOUNT BKT	1		SMS0000184	5/16 X 3/4 NC WHIZ BOLT-PLATED	4
	BKT0216261	R. H. FLYWHEEL FRAME MOUNT BKT	1		NMS0000117	5/16" NC WHIZ NUT - PLATED	4
	WLK0000625	5/8" MEDIUM LOCKWASHER - PLTD	4	12	BKT0026243	ALTERNATOR SUPT BKT ASY	1
	NCH0000625	5/8" NC HEX NUT - PLATED	12		WLK0000375	3/8" MEDIUM LOCKWASHER - PLTD	4
	WCT0000625	5/8" FLATWASHER -PLATED	16		SCC0030002	3/8 X 1 NC HT CS - PLATED	4
	SCC0070006	5/8 X 2 NC HT CS - PLATED	8	13	MNT0023468	TENSION PUMP MOUNT ASSY	1
	SCC0070005	5/8 X 1-3/4 NC HT CS - PLATED	4		WLK0000375	3/8" MEDIUM LOCKWASHER - PLTD	4
3	BKT0233410	L. H. FRT SLEEVE CVR SUPT BKT	1		SCC0030002	3/8 X 1 NC HT CS - PLATED	4
	BKT0233411	R. H. FRT SLEEVE CVR SUPT BKT	1	14	SHD0026246	FLYWHEEL FRT SHD TOP ASSY	1
	WLK0000625	5/8" MEDIUM LOCKWASHER - PLTD	4	15	SHM037463A	FLYWHEEL BRG SHIM-10GA	A/R
	NCH0000625	5/8" NC HEX NUT - PLATED	4		SHM037359A	FLYWHEEL BRG SHIM-16GA	A/R
	SCC0070006	5/8 X 2 NC HT CS - PLATED	4		SHM037360A	FLYWHEEL BRG SHIM-30GA	A/R
4	SUP0021636	ANCHOR SUPPORT	2		SHM037460A	FLYWHEEL BRG SHIM-38GA	A/R
	SCC0070006	5/8 X 2 NC HT CS - PLATED	4	16	BRG0000021	2-3/16"PILLOW BLOCK BRG	2
	WLK0000625	5/8" MEDIUM LOCKWASHER - PLTD	4		WAS0000105	STRUCTURAL WASHER 5/8 -PLATED	4
	WCT0000625	5/8" FLATWASHER -PLATED	4		SCC0070008	HEX HD CS NC 5/8 X 2-1/2 - PLATED	4
	NCH0000625	5/8" NC HEX NUT - PLATED	4	17	ZZ 0000107	1/8 NPT 45* X 7/16 HEX ZERK	1
	WAS0000105	5/8 STRUCTURAL WASHER	4	18	900046	BALANCED FLYWHEEL	1
5	BKT0025876	FLYWHEEL MNT ANCHOR BKT	2	19	ZZ 0000105	1/8 NPT STR 5/16 HEX ZERK	2
	SCC0070005	5/8 X 1-3/4 NC HT CS - PLATED	4	20	CPL0018917	PMP DR. CPLG. HALF-BORED-WALDR	1
	SCC0070006	5/8 X 2 NC HT CS - PLATED	4		WAS0000103	1/2 HARDENED FLATWASHER - PLTD	4
	WLK0000625	5/8" MEDIUM LOCKWASHER - PLTD	4		WLK0000500	1/2" LOCKWASHER - PLATED	4
	WCT0000625	5/8" FLATWASHER -PLATED	4		SCC0050006	1/2 X 2 NC HT CS - PLATED	4
	NCH0000625	5/8" NC HEX NUT - PLATED	4	21	RNG0149396	RETAINING RING F/SLV0149918	2
6	ROD0015498	DRIVE BELT TAKE UP ROD	1	22	SEL0149223	GREASE SEAL F/SLV0149918	2
	WAS0000118	3/4 HARDENED FLATWASHER - PLTD	1	23	DPT0018751	PUMP PILOT ADAPTER	1
7	MNT0023278	DRV UNIT BELT TAKEUP	1	24	SLV0149918	SLEEVE	1
	NCH0000750	3/4" NC HEX NUT - PLATED	4	25	STS4375075	7/16 X 3/4 SOCKET SET SCREW	3
	WLK0000750	3/4" MEDIUM LOCKWASHER-PLATED	4	26	BSH0021617	BUSHING F/CPL21616	1
	SCC0080007	3/4 X 2-1/4 NC HT CS - PLATED	4	27	CPL0021616	PUMP DRIVE REAR COUPLING HALF	1
8	BLK0015661	BELT TAKE-UP TIGHTENER BLOCK	1	28	HSG0026245	ALTERNATOR HOUSING	1
	WAS0000118	3/4 HARDENED FLATWASHER - PLTD	1		NMS0000250	1/4" NC WHIZ NUT - PLATED	4
	WLK0000750	3/4" MEDIUM LOCKWASHER-PLATED	1		SMS0000173	1/4 X 1/2 NC WHIZ BOLT-PLATED	4
	SCC0080007	3/4 X 2-1/4 NC HT CS - PLATED	1	29	ZZ 0000107	1/8 NPT 45* X 7/16 HEX ZERK	2
9	BRG037677D	2-3/16"PILLOW BLOCK BEARING	2	30	ZZ 0000451	1/2 X 1/2 X 1-1/2 KEY	1
	WLK0000625	5/8" MEDIUM LOCKWASHER - PLTD	4	31	ZZ 0000104	1/8 NPT 90* X 7/16 HEX ZERK	2
	NCH0000625	5/8" NC HEX NUT - PLATED	4	32	STS3750375	3/8 X 3/8 SOCKET SET SCREW	2
	WAS0000105	5/8 STRUCTURAL WASHER	4	33	SQS5004000	1/2" X 4" SQUARE HD SET SCREW	4
	SCC0070008	5/8 X 2-1/2 NC HT CS - PLATED	4		NCJ0005000	JAM NUT NC 1/2	4
10	SHF0023255	PRIMARY DRIVE SHAFT	1				

**WIND GUARD ASSEMBLY**

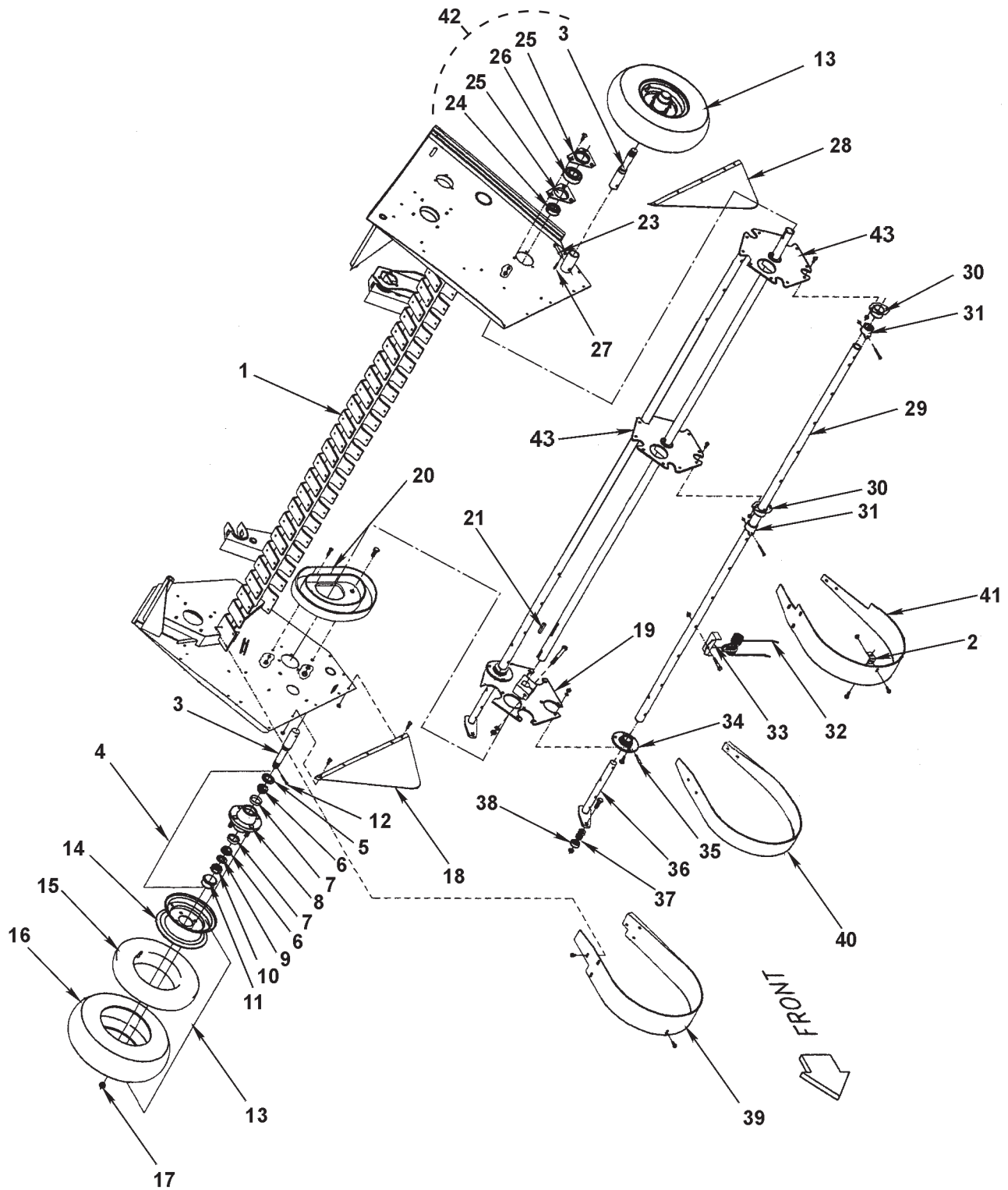




## WIND GUARD ASSEMBLY

REF NO.	PART NO.	DESCRIPTION	QTY. USED	REF NO.	PART NO.	DESCRIPTION	QTY. USED
1	GRD0025282	WIND GRD 98-1/2" -F/93" STD PU	1	10	SQS5004000	1/2" X 4" SQUARE HD SET SCREW	2
2	COT0000806	3/16 X 2-1/4 COTTER PIN	4		NCJ0000500	1/2" NC JAM NUT - PLATED	2
3	F 0001517	TRIP SPRING	2	11	LEV2527900	L.H. MNTD WINDGRD SPRING LEVER	1
	NCH0000375	3/8" NC HEX NUT - PLATED	4		LEV2527901	R.H. MNTD WINDGRD SPRING LEVER	1
	WCT0000375	3/8" FLATWASHER - PLATED	16	12	GUD2527800	L. H. WIND GUARD MOUNT GUIDE	1
	NCE0000375	3/8" NC ESNA NUT - PLATED	4		GUD2527801	R. H. WIND GUARD MOUNT GUIDE	1
	SCC0030004	3/8 X 1-1/2 NC HT CS - PLATED	4		NMS0000117	5/16" NC WHIZ NUT - PLATED	4
4	SPG0025309	WINDGUARD OVERTRAVEL SPRING	2		SBH0020002	5/16 X 1 NC BUTTON HEAD CS	4
	WCT0000375	3/8" FLATWASHER - PLATED	2	13	COT0000502	1/8 X 1 COTTER PIN	2
5	ROD0025329	P/U MNT WINDGRD SPG ADJUST ROD	2	14	SPG0010555	BRAKE ACTUATING CYLINDER SPRNG	2
	WCT0000375	3/8" FLATWASHER - PLATED	8	15	FT 0006205	ADJUSTING SCREW	2
	NFH0000375	3/8" NF HEX NUT - PLATED	2		NCH0000375	3/8" NC HEX NUT - PLATED	4
	NFE0000375	3/8"-24 FULL ESNA NUT-PLATED	2	16	MNT2527600	L.H. OPTIONAL MNTD WINDGRD MNT	1
6	06-125	3/8 CLEVIS	2		MNT2527601	R.H. OPTIONAL MNTD WINDGRD MNT	1
7	F 0000440	FERRULE	4		SBH0020001	5/16 X 3/4 NC BUTTON HEAD CS	10
	WLK0000375	3/8" MEDIUM LOCKWASHER - PLTD	2		NMS0000117	5/16" NC WHIZ NUT - PLATED	10
	SCC0030003	3/8 X 1-1/4 NC HT CS - PLATED	2	17	SPC0025340	MNTD WINDGRD SPG SPACER/SLIDER	2
8	06-126	3/8 CLEVIS PIN	2	18	BSH0505909	2-1/2 X 1-3/4 X 14 GA MACH BUSH	4
9	LNK0025281	WIND GUARD SPRING LINK	2				
	NCE0000375	3/8" NC ESNA NUT - PLATED	2				
	SCC0030002	3/8 X 1 NC HT CS - PLATED	2				

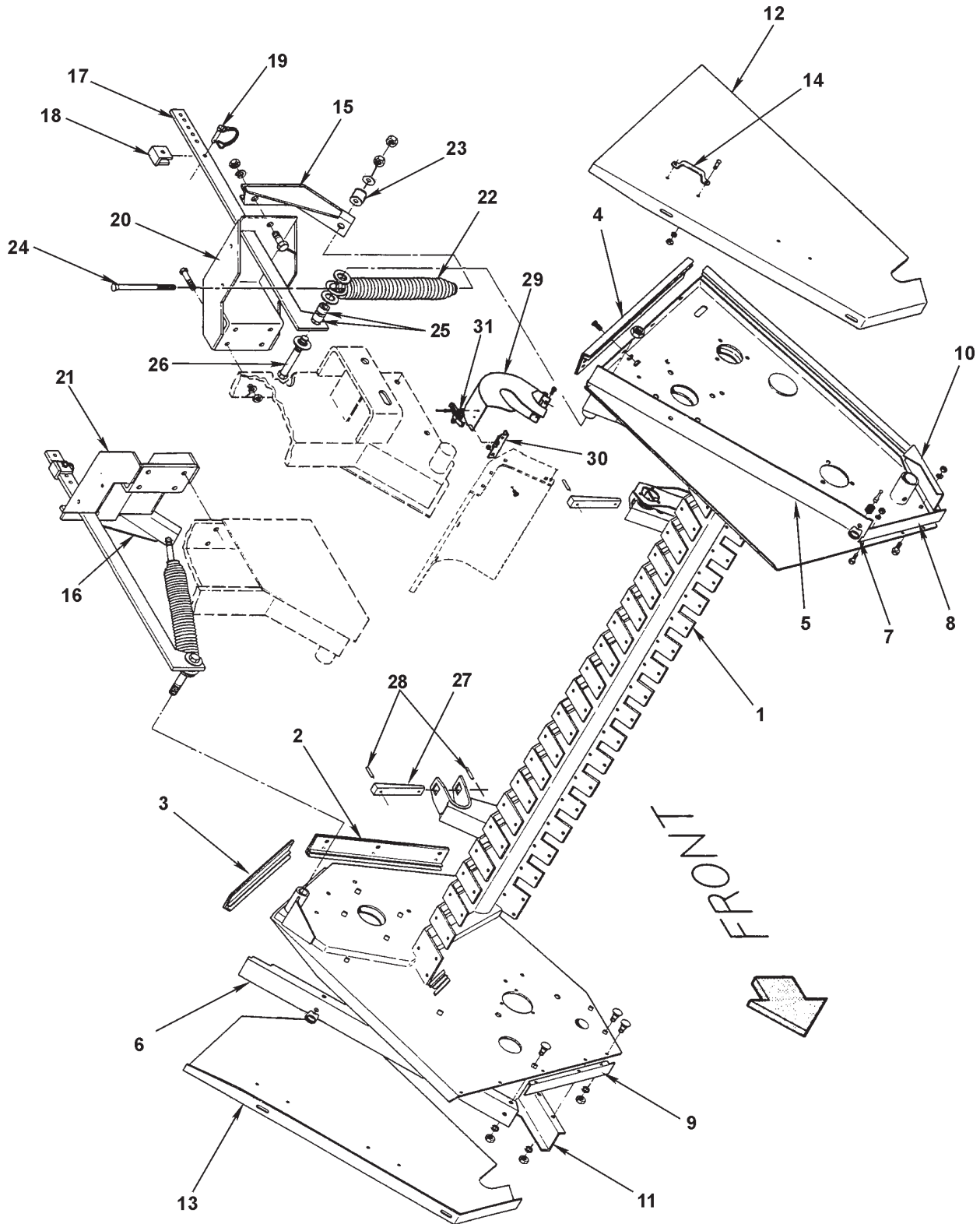
**PICKUP REEL COMPONENTS ASSEMBLY**



## PICKUP REEL COMPONENTS ASSEMBLY

REF NO.	PART NO.	DESCRIPTION	QTY. USED	REF NO.	PART NO.	DESCRIPTION	QTY. USED
1	PCY0028026	P/U FRAME - 93"	1	21	F 0007904	3/8 X 3/8 X 2 KEY	3
2	PCY0017634	P/U STRIPPER MOUNT ANGLE	2	22	SHF0025191	P/U REEL SHAFT	1
	SMS0000184	5/16 X 3/4 NC WHIZ BOLT-PLATED	1	23	CLV0120014	3/8" X 2-1/2" CLEVIS - PLAIN	2
	NCH0000313	5/16" NC HEX NUT - PLATED	1	24	F 0008381	LOCKING COLLAR F/F8102	1
3	SPN0017647	1-5/16 P/U WHEEL SPN	2	25	F 0008383	FLANGETTE-NO ZERK F/F8102	4
4	HUB0000348	HUB W/BRGS & SEALS	2		CRB3751000	3/8 X 1 CARRIAGE BOLT	6
5	SEL0034823	SEAL F/HUB	2		WLK0000375	3/8" MEDIUM LOCKWASHER - PLTD	6
6	F 0001909	BEARING CONE	4		NCH0000375	3/8" NC HEX NUT - PLATED	6
7	F 0001654	OUTER BEARING CUP	4	26	F 0008380	BEARING & LOCK COLLAR	2
8	HUB000BT12	HUB ONLY	2	27	COT0000501	1/8 X 3/4 COTTER PIN	2
9	ZZ 0000219	1 X 2 X 14 GA MACHINE BUSHING	2	28	FEN1763200	L. H. PICKUP FENDER FLARE	1
10	NFC0010000	1" NF CASTLE NUT	2		SCC0020002	5/16 X 1 NC HT CS - PLATED	6
11	CAP0046749	CAP FOR HUB348	2		SCC0020001	5/16 X 3/4 NC HT CS - PLATED	4
12	COT0000502	1/8 X 1 COTTER PIN	2		NCH0000313	5/16" NC HEX NUT - PLATED	10
13	WHL0401530	WHL/TIR ASSY 4 X 8	2	29	BAR0025204	P/U TOOTH BAR PIPE-EXTE OPTION	5
14	WHL0412530	WHEEL-8 X 3.75(4 ON 4)P/U	2	30	HSN0017505	P/UP TOOTH BAR BRG HSG-ASSEMBL	10
15	TIR0199128	4.00 X 8 TUBE F/TIR4008	2	31	BRG0017508	NYLON TOOTH BAR BEARING	10
16	TIR0004008	TIRE F/1500 P/U(400X8 4 PLY)	2		SCC0010006	1/4 X 2 NC HT CS - PLATED	10
17	SMS0005393	LUG BOLT	8		NCE0000250	1/4" NC ESNA NUT - PLATED	10
18	FEN1763201	R. H. PICKUP FENDER FLARE	1	32	PCY0013464	PICKUP FINGER	65
	SCC0020002	5/16 X 1 NC HT CS - PLATED	6	33	MNT0013456	PICKUP TOOTH MOUNT	65
	SCC0020001	5/16 X 3/4 NC HT CS - PLATED	4		SFC0030007	3/8 X 2-1/4 NF HT CS - PLATED	65
	NCH0000313	5/16" NC HEX NUT - PLATED	10		NFX0000375	3/8" NF FLEX-LOCK NUT	65
19	PCY0023053	PICK UP REEL PLATE	1	34	BRG0001101	TOOTH BAR BEARING	5
	SCC0050011	1/2 X 3-1/4 NC HT CS - PLATED	3	35	ZZ 0000715	1/4 X 1-3/4 ROLL PIN	5
	NCH0000500	1/2" NC HEX NUT - PLATED	3	36	LEV0023055	TOOTH BAR CAM LEVER	5
	WLK0000500	1/2" LOCKWASHER - PLATED	3		SCC0800505	1/2-13 X 1-3/4"GRD 8 CS -PLTD	5
	SCC0020001	5/16 X 3/4 NC HT CS - PLATED	20		NCJ0000500	1/2" NC JAM NUT - PLATED	5
	NCH0000313	5/16" NC HEX NUT - PLATED	20		WAS0000104	1/2" STRUCTURAL WASHER	5
	CRB3751000	3/8 X 1 CARRIAGE BOLT	10	37	BSH0006231	CAM LEVER ROLLER BUSH 60"+70"	5
	WLK0000375	3/8" MEDIUM LOCKWASHER - PLTD	10	38	BRG0002029	CAM FOLLOWER BEARING 1/2"BORE	5
	NCH0000375	3/8" NC HEX NUT - PLATED	10	39	PCY0025861	P/U RIGHT HAND STRIPPER	1
20	CAM0017414	PICKUP REEL CAM	1		SMS0000198	5/16 X 1/2 NC WHIZ BOLT-PLATED	1 6
	SCC0050003	1/2 X 1-1/4 NC HT CS - PLATED	1		SMS0000184	5/16 X 3/4 NC WHIZ BOLT-PLATED	1
	SCC0000303	3/8-16 X 1-1/4" GRD 5 CAP SCRW	1	40	PCY0025860	P/U CENTER STRIPPER	25
	WLK0000375	3/8" MEDIUM LOCKWASHER - PLTD	1		SMS0000198	5/16 X 1/2 NC WHIZ BOLT-PLATED	1 100
	NCH0000375	3/8" NC HEX NUT - PLATED	1	41	PCY0025859	P/U LEFT HAND STRIPPER	1
	NCH0000500	1/2" NC HEX NUT - PLATED	1		SMS0000198	5/16 X 1/2 NC WHIZ BOLT-PLATED	1 5
	WLK0000500	1/2" LOCKWASHER - PLATED	71		SMS0000184	5/16 X 3/4 NC WHIZ BOLT-PLATED	1
				42	F000008102	BEARING ASSY F/PICKUP SHAFT	2
				43	PCY0017501	CENTER & LH REEL PLATE	2

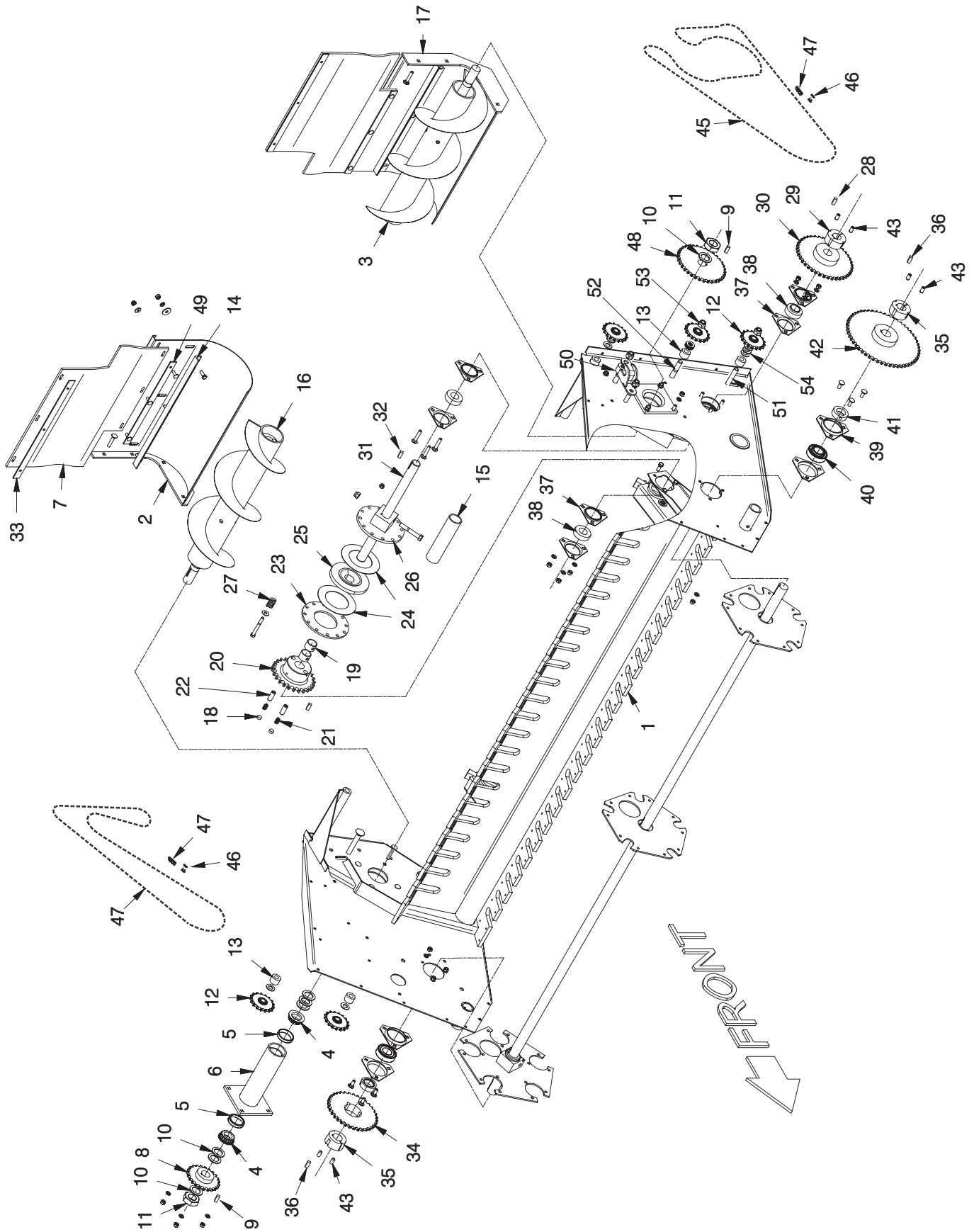
**PICKUP SHIELDS AND MOUNTS ASSEMBLY**



## PICKUP SHIELDS AND MOUNTS ASSEMBLY

REF NO.	PART NO.	DESCRIPTION	QTY. USED	REF NO.	PART NO.	DESCRIPTION	QTY. USED
1	PCY0028026	P/U FRAME - 93"	1	15	BKT1616200	L. H. P/U LIFT SPRING BRACKET	1
2	GUD0018010	P/U SHIELD GUIDE ASSEMBLY	1		SCC0070003	5/8" X 1-1/4 NC HT CS - PLATED	1
	SCC0020001	5/16 X 3/4 NC HT CS - PLATED	3		WLK0000625	5/8" MEDIUM LOCKWASHER - PLTD	1
	NCH0000313	5/16" NC HEX NUT - PLATED	3		NCH0000625	5/8" NC HEX NUT - PLATED	1
	WLK0000313	5/16" MEDIUM LOCKWASHER - PLTD	3	16	BKT1616201	R. H. P/U LIFT SPRING BRACKET	1
3	GUD0018011	P/U SHIELD GUIDE ASSEMBLY	1		SCC0070003	5/8" X 1-1/4 NC HT CS - PLATED	1
	SCC0020001	5/16 X 3/4 NC HT CS - PLATED	2		WLK0000625	5/8" MEDIUM LOCKWASHER - PLTD	1
	NCH0000313	5/16" NC HEX NUT - PLATED	2		NCH0000625	5/8" NC HEX NUT - PLATED	1
	WLK0000313	5/16" MEDIUM LOCKWASHER - PLTD	2	17	ARM0015684	LIFT ARM F/PICKUP	2
4	GUD0018012	P/U SHIELD GUIDE ASSEMBLY	1	18	BKT0015687	P/UP LIFT STOP BRACKET	2
	SCC0020001	5/16 X 3/4 NC HT CS - PLATED	2	19	PIN0375125	3/8 X 1-1/4 SNAPPER PIN	2
	NCH0000313	5/16" NC HEX NUT - PLATED	2	20	BKT2350200	LH P/U LIFT SPRG ANCHOR BKT	1
	WLK0000313	5/16" MEDIUM LOCKWASHER - PLTD	2		SCC0030003	3/8" X 1-1/4 NC HT CS - PLATED	4
5	SHD2734400	LH P/U SIDE SHIELD SUPT.	1		WLK0000375	3/8" MEDIUM LOCKWASHER - PLTD	4
	CRB3130750	5/16X 3/4 CARRIAGE BOLT-PLTD	3		NCH0000375	3/8" NC HEX NUT - PLATED	4
	NCH0000313	5/16" NC HEX NUT - PLATED	3	21	BKT2350201	RH P/U LIFT SPRG ANCHOR BKT	1
	WLK0000313	5/16" MEDIUM LOCKWASHER - PLTD	3		SCC0030003	3/8" X 1-1/4 NC HT CS - PLATED	4
6	SHD2734401	RH P/U SIDE SHIELD SUPT.	1		WLK0000375	3/8" MEDIUM LOCKWASHER - PLTD	4
	CRB3130750	5/16X 3/4 CARRIAGE BOLT-PLTD	3		NCH0000375	3/8" NC HEX NUT - PLATED	4
	NCH0000313	5/16" NC HEX NUT - PLATED	3	22	SPG0017462	PICKUP LIFT SPRING	2
	WLK0000313	5/16" MEDIUM LOCKWASHER - PLTD	3		NCH0000625	5/8" NC HEX NUT - PLATED	4
7	FST0010401	MED DUTY FOLDING HANDLE FASTNR	4		WCT0000625	5/8" FLATWASHER -PLATED	8
8	SUP1763500	LH PICKUP SHIELD SUPPORT	1	23	BSH0501129	BUSHING	2
	SCC0020002	5/16 X 1 NC HT CS - PLATED	3	24	ANC0016029	PICKUP LIFT SPRING ANCHOR	2
	NCH0000313	5/16" NC HEX NUT - PLATED	3	25	SPC0016659	P/UP LIFT SPRING ANCHOR SPACER	4
	WLK0000313	5/16" MEDIUM LOCKWASHER - PLTD	3	26	ROD0025263	P/U BALANCE SPG ROD F/EXTEND	2
9	SUP1763501	RH PICKUP SHIELD SUPPORT	1		NCE0000625	5/8" NC ESNA NUT - PLATED	2
	SCC0020002	5/16 X 1 NC HT CS - PLATED	3	27	PIN0015507	PICKUP PIVOT PIN	2
	NCH0000313	5/16" NC HEX NUT - PLATED	3	28	ZZ 0000705	1/4 X 2 ROLL PIN	4
	WLK0000313	5/16" MEDIUM LOCKWASHER - PLTD	3	29	SHD0502998	SHIELD - PICKUP CLUTCH	1
10	SHD5076881	LH P/U BACKING SHIELD	1		SMS0000184	5/16 X 3/4 NC WHIZ BOLT	2
	SCC0020001	5/16 X 3/4 NC HT CS - PLATED	2		NCH0000313	5/16" NC HEX NUT - PLATED	2
	NCH0000313	5/16" NC HEX NUT - PLATED	2		WLK0000313	5/16" MEDIUM LOCKWASHER - PLTD	2
	WLK0000313	5/16" MEDIUM LOCKWASHER - PLTD	2	30	BKT0502999	BRACKET-PICKUP CLUTCH SHIELD	1
11	SHD5076890	RH P/U BACKING SHIELD	1		CRB3130750	5/16X 3/4 CARRIAGE BOLT-PLTD	2
	SCC0020001	5/16 X 3/4 NC HT CS - PLATED	2		NCH0000313	5/16" NC HEX NUT - PLATED	2
	NCH0000313	5/16" NC HEX NUT - PLATED	2	31	CLP0000130	HOOK-TYPE FASTENER	1
	WLK0000313	5/16" MEDIUM LOCKWASHER - PLTD	2		RIV0000604	3/16 X 1/4 SS GRIP RIVET	2
12	SHD0027343	LEFT P/U SHIELD	1				
13	SHD0027342	RIGHT P/U SHIELD	1				
14	HAN0000150	PLATED DOOR HANDLE	4				
	SMF1032500	10-32 X 1/2 FH MACHINE SCREW	8				
	WLK0000100	#10 LOCKWASHER - PLATED	8				
	NFH0001032	10-32 NF HEX NUT - PLATED	8				

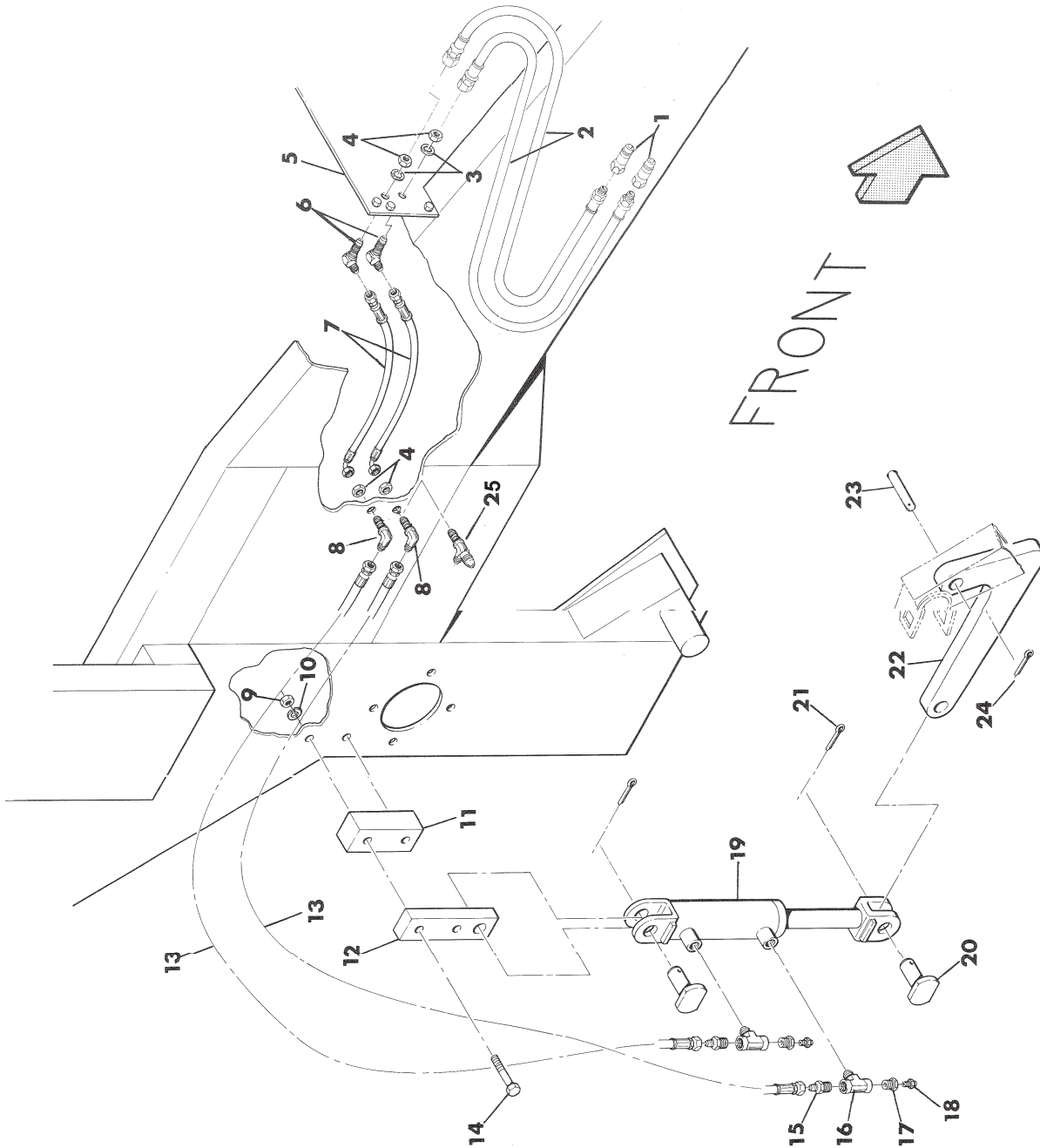
**PICKUP AUGER AND DRIVE COMPONENTS ASSEMBLY**



## PICKUP AUGER AND DRIVE COMPONENTS ASSEMBLY

REF NO.	PART NO.	DESCRIPTION	QTY. USED	REF NO.	PART NO.	DESCRIPTION	QTY. USED
1	PCY0028026	P/U FRAME - 93"	1		SCC0030011	3/8 X 3-1/4 NC HT CS - PLATED	2
2	AUG0026179	RH P/U AUGER TROUGH -	1		WCT0000375	3/8" FLATWASHER - PLATED	2
	CRB3752000	3/8 X 2 CARRIAGE BOLT	4		NCE0000375	3/8" NC ESNA NUT - PLATED	2
	09411507	NUT, SERRATED; 3/8 NC GR5	4	28	ZZ 0000406	1/4" X 1/4" X 1" KEY	1
3	AUG0025184	P/U RHT AUGER ASSY-EXT OPTION	1	29	BSH1252012	BUSHING 1-1/4"BORE	1
4	BRG0067000	BEARING COMPLETE	2	30	SPK0005041	SPROCKET TAPER LOCK	1
5	F 0008011	OUTER WHEEL BEARING CUP	2	31	SHF0025234	93" PICKUP DRIVE SHAFT	1
6	HSN0027989	EXTEND P/U AUGER BRG HSN-	2	32	ZZ 0000454	1/4 X 1/4 X 2 KEY	2
	CRB3752000	3/8 X 2 CARRIAGE BOLT	8	33	BAR0026169	UPPER DEFLECTOR BLT RETAIN BAR	2
	WLK0000375	3/8" MEDIUM LOCKWASHER - PLTD	8		NMS0000250	1/4" NC WHIZ NUT - PLATED	6
	NCH0000375	3/8" NC HEX NUT - PLATED	8		SMT0001001	1/4 X 3/4 TH MACH SCREW-PLT	6
7	BLT0026167	TROUGH HAY DEFLECTOR BELT	2	34	SPK0000536	SPROCKET	1
8	SPK0005023	SPK 1-1/4BORE 1/4	1	35	BSH0001021	1-3/8 BORE X 3/8 KEYWAY BUSHG	1
9	ZZ 0000406	1/4" X 1/4" X 1" KEY	2	36	ZZ 0000438	3/8 X 3/8 X 1 KEY	1
10	WAS0015783	HARDENED ZZ228 MACHINE BUSHING	9	37	BRG0000063	FLANGETTE	4
11	NEJ0001250	1-1/4" NF ESNA JAM NUT - PLTD	2		SCC0030002	3/8 X 1 NC HT CS - PLATED	3
12	253391	SPROCKET IDLER	5		SCC0030006	3/8 X 2 NC HT CS - PLATED	3
	253935	BOLT, CARR; 5/8 NC X 4 GR5 ZC	2		WLK0000375	3/8" MEDIUM LOCKWASHER - PLTD	6
	062X040C8	5/8X4NC PLN GR8 CAP SCREW	3		NCH0000375	3/8" NC HEX NUT - PLATED	6
	224121	NUT, ESNA; 5/8 NC GR8 HX ZC	5	38	BRG0000103	1-1/4"(2)BOLT BEARING+COLLAR	2
13	901659	P/UP IDLER SPROCKET SPACER	2	39	F 0008383	FLANGETTE-NO ZERK F/F8102	2
14	900400	SCRAPER WLDMT;*A; 1592D AUGER	2		CRB3750100	3/8 X 1 CARRIAGE BOLT-PLTD	3
15	GRD0506144	PICKUP DRIVE SHAFT GUARD	2		WLK0000375	3/8" MEDIUM LOCKWASHER - PLTD	3
16	AUG0025183	P/U LEFT AUGER ASSY-EXTEN	1		NCH0000375	3/8" NC HEX NUT - PLATED	3
17	AUG0026178	LH P/U AUGER TROUGH 93"-	1	40	F 0008380	BEARING & LOCK COLLAR F/F8102	1
	CRB3752000	3/8 X 2 CARRIAGE BOLT	4	41	F 0008381	LOCK COLLAR	1
	09411507	NUT, SERRATED; 3/8 NC GR5	4	42	SPK0000554	SPROCKET -	1
18	HYD3169030	3/8 SOCKET HD STEEL PIPE PLUG	2	43	SCO0000403	7/16 X 7/8 NC FH SOCKET CS	2
19	BRG0020016	P/U DRIVE SHAFT BUSHING	3	44	CHN0005087	CHAIN	1
20	SPK0017769	P/UP DRIVE SPROCKET	1	45	CHN0050177	CHAIN	1
21	F 0001790	COMPRESSION SPRING F/PTO CLTCH	2	46	F 0000025	CONNECTING LINK	2
22	F 0001791	CLUTCH PIN	2	47	F 0000123	OFFSET LINK	2
23	CLH0017849	P/U CLUTCH DISC -	1	48	SPK0005035	SPK 1-1/4BORE 1/4	1
24	F 0001793	FRICTION DISC F/PTO CLUTCH	4		ZZ 0000406	1/4" X 1/4" X 1" KEY	1
25	CLH0017767	PICKUP DRIVE CLUTCH	1	49	900400	SCRAPER WLDMT;*A; 1592D AUGER	2
26	CLH0017773	P/UP CLUTCH ADAPTER	1		NMS0000250	1/4" NC WHIZ NUT - PLATED	6
	SCC0050011	1/2 X 3-1/4 NC HT CS - PLATED	1		SMT0001001	1/4 X 3/4 TH MACH SCREW-PLT	6
	WLK0000500	1/2" LOCKWASHER - PLATED	1	50	901690	BASE WLDMT,SPROCKET	1
	NCH0000500	1/2" NC HEX NUT - PLATED	1	51	253935	BOLT, CARR; 5/8 NC X 4 GR5 ZC	2
27	F 0001797	CLUTCH PLT COMPRESSION SPRING	2	52	00271570	CAPSCREW; 5/8 NC X 4 GR5 HX BLK	3
				53	00274821	NUT, ESNA; 5/8 NC GR5 BLK	5
				54	235464	WASHER, FLAT; 5/8	A/R

**HYDRAULIC PICKUP LIFT ASSEMBLY**

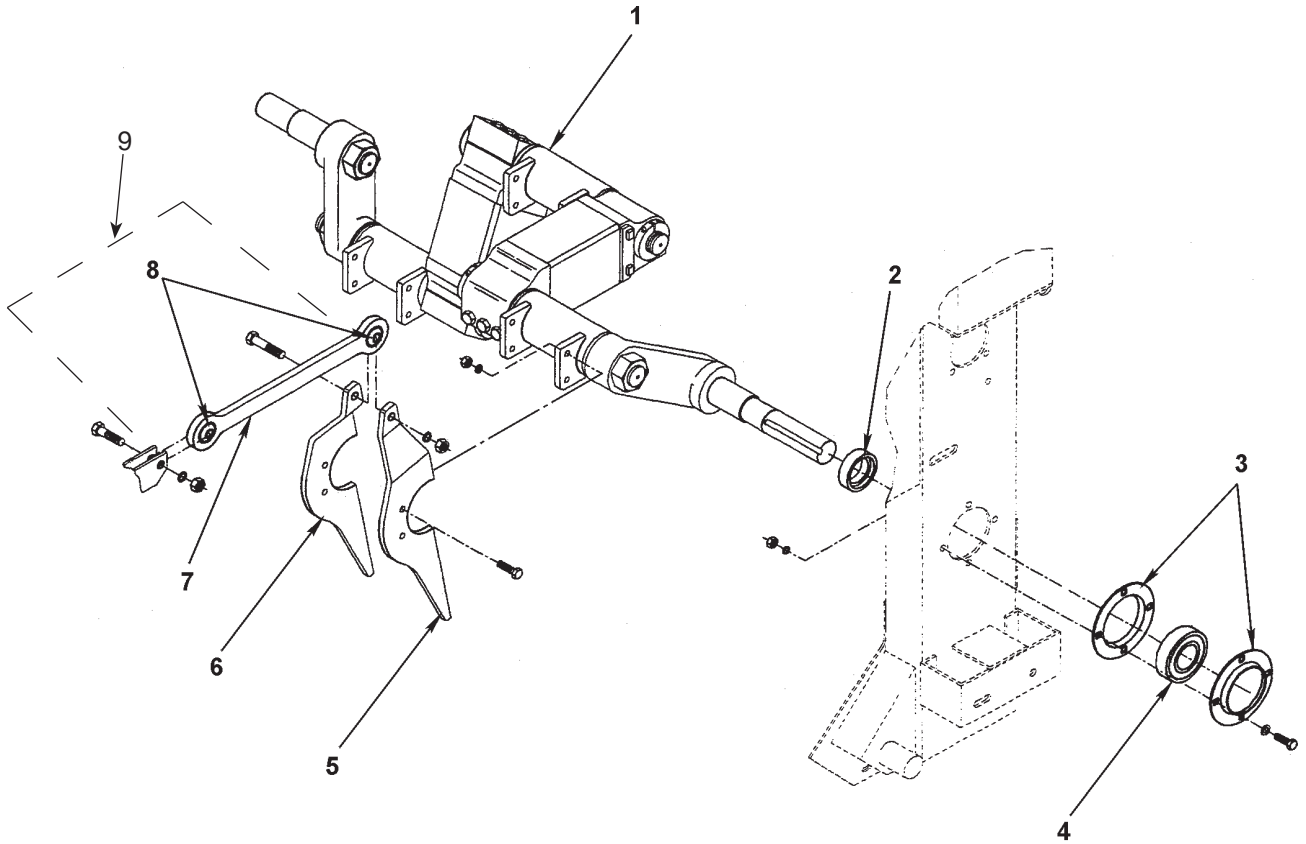




## HYDRAULIC PICKUP LIFT ASSEMBLY

REF NO.	PART NO.	DESCRIPTION	QTY. USED
1	CPL0080104	1/2" HYDRAULIC QUICK COUPLER	2
2	HOS0016658	HOSE-PICKUP LIFT SUPPLY	2
3	247763	WASHER, LOCK; 9/16 INT TOOTH PLAIN	4
4	HYD5924030	3/8 BULKHEAD NUT	4
5	SHD0023442	SHEAVE FRONT LOWER SHIELD	1
6	HYD5375030	3/8 JIC 45° BLKHD UNION ELBOW	2
7	HOS0024293	LONG P/U LIFT HSE	2
8	HYD5525030	3/8 JIC X 90° BLKHD UNION ELB	2
9	234921	NUT, HEX; 1/2 NC GR8 ZC	2
10	234665	WASHER, LOCK; 1/2 REG	2
11	SPC0024097	PICKUP LIFT MNT SPACER	1
12	MNT0024096	PICKUP LIFT CYLINDER MOUNT	1
13	HOS0020760	PICKUP LIFT CYL HOSE	2
14	R13811083	CAPSCREW; 1/2 NC X 3 1/2 GR8	2
15	209755	3/8 JIC X 3/8 NPT MALE CONN	2
16	HYD3609030	3/8 NPT STEEL MALE BRANCH TEE	2
17	209501	3/8 X 1/4 STEEL PIPE BUSHING	2
18	HYD0000705	1/8 NPT MULTI-PURPOSE AIR VENT	2
19	CYL0000205	PICKUP LIFT CYLINDER F/1500 -1592	1
20	HYP000FA2P	CLEVIS PIN FOR CYL205	2
21	212255	3/16 X 2 COTTER PIN PLATED	2
22	ARM0027984	ARM ,P/U LIFT	1
23	CLV0120045	3/4" X 3-3/4" CLEVIS PIN	1
24	COT0000503	1/8 X 1-1/4 COTTER PIN	1
25	HYD5726030	3/8 JIC BULKHEAD RUN TEE	1

**FEEDER CRANK AND TINES ASSEMBLY**

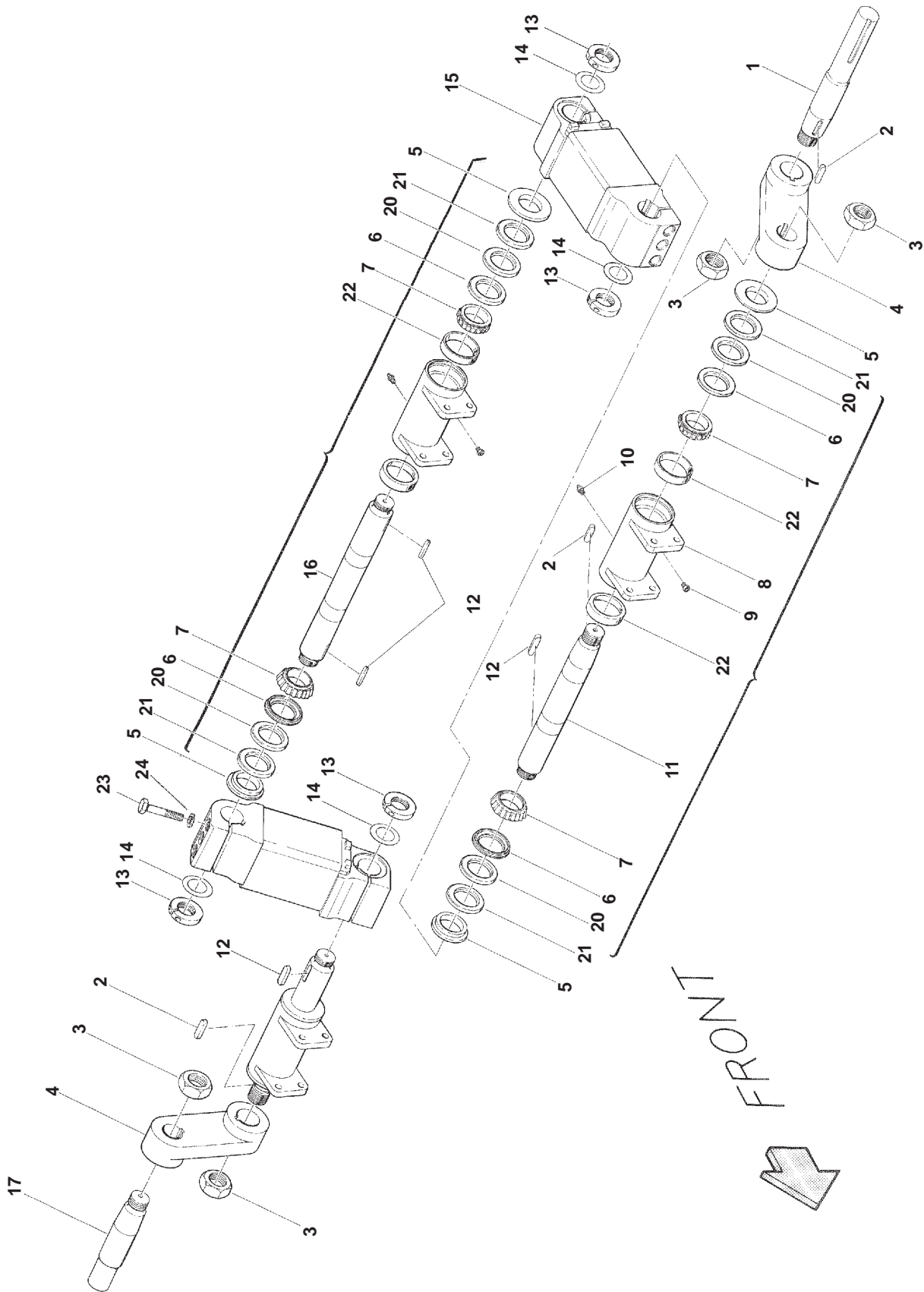


➔ FRONT

## FEEDER CRANK AND TINES ASSEMBLY

REF NO.	PART NO.	DESCRIPTION	QTY. USED
1	SHF0023127	FEEDER CRANK SHAFT ASSEMBLY	1
2	BRG0002002	LOCK COLLAR	2
3	BRG0002001	BEARING STAMPING F/BRG2000	4
	WAS0000104	1/2 STRUCTURAL WASHER	8
	SFC0080504	1/2 X 1-1/2 NF GR 8 CS -PLATED	8
	NFH0080500	1/2"-20 GRADE 8 HEX NUT	8
4	BRG0002000	1ST FEEDER 1592 CRANK BEARING	2
5	TIN0231340	L. H. FEED CRANK TINE	3
	WLK0000500	1/2" LOCKWASHER - PLATED	6
	NFH0080500	1/2"-20 GRADE 8 HEX NUT	6
	SFC0080500	1/2 X 1-3/4 NF GR 8 CS -PLATED	6
6	TIN0231341	R. H. FEED CRANK TINE	3
	WLK0000500	1/2" LOCKWASHER - PLATED	6
	NFH0080500	1/2"-20 GRADE 8 HEX NUT	6
	SFC0080500	1/2 X 1-3/4 NF GR 8 CS -PLATED	6
7	LNK0023133	FEEDER TINE LINK	3
	SCC0070007	5/8 X 2-1/4 NC HT CS - PLATED	3
	SCC0070010	5/8 X 3 NC HT CS - PLATED	3
	WLK0000625	5/8" LOCKWASHER - PLATED	6
	NCH0000625	5/8" NC HEX NUT - PLATED	6
8	BRG0106250	1ST FEEDER TINE LINK BRG	6
9	LNK0231330	FEEDER TINE LINK ASSY	1

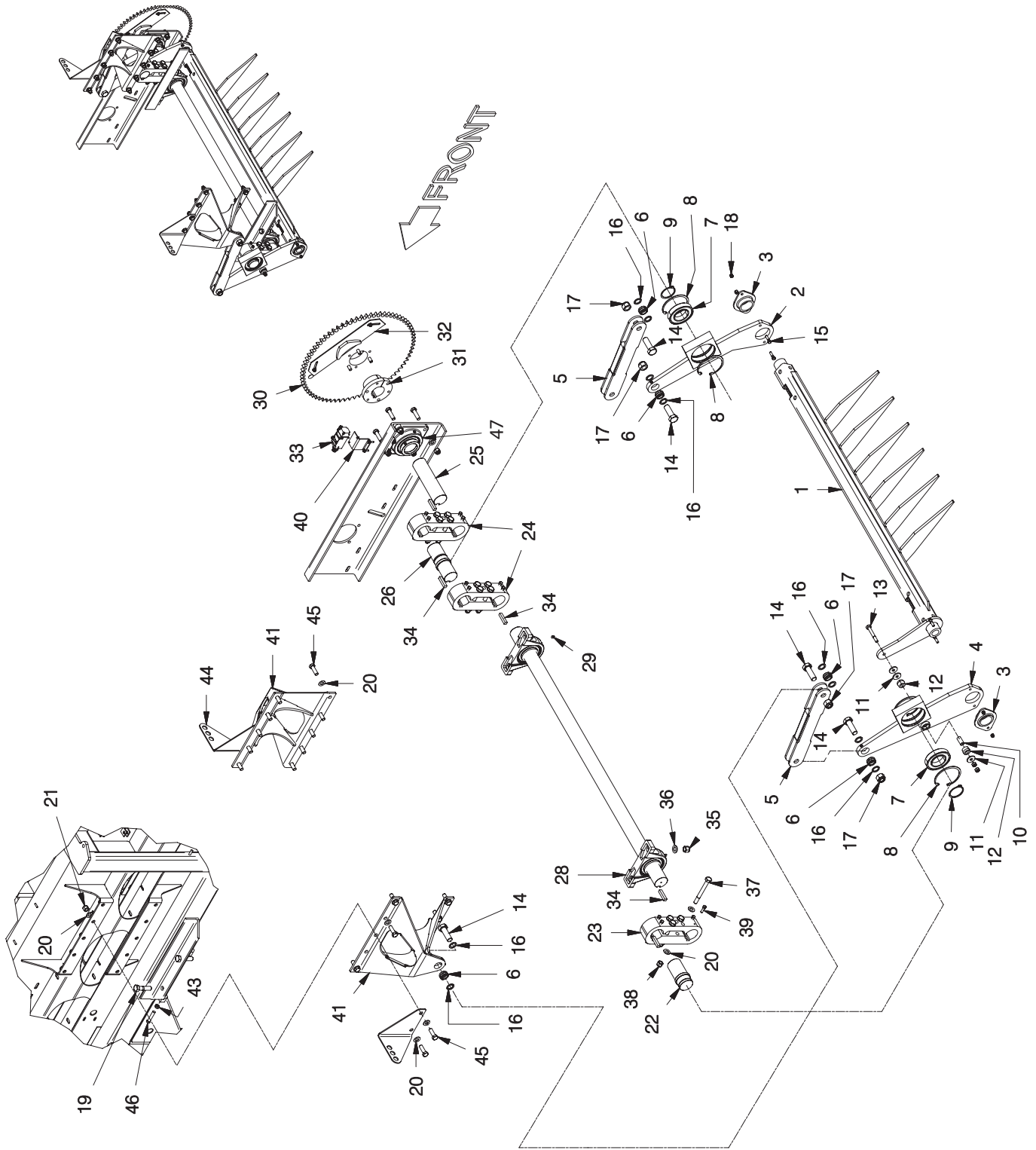
**FEEDER CRANK ASSEMBLY**



## FEEDER CRANK ASSEMBLY

REF NO.	PART NO.	DESCRIPTION	QTY. USED
1	SHF0023130	LEFT BEARING SHAFT	1
2	ZZ 0000453	1/2 X 1/2 X 1 KEY	3
3	NMS0023666	1-3/4-12 NF JAM NUT PLTD	4
4	ARM0023120	FEEDER CRANK ARM	2
5	RNG0023161	THRUST RING	6
6	KITV507949	BEARING SEAL	6
7	BRG0507949	BRG-TAPERED ROLLER	6
8	HSN0023116	BEARING HOUSING	3
9	LUB0047200	1/8" STRAIGHT RELIEF FITTING	3
10	ZZ 0000103	1/8 NPT STR 7/16 HEX ZERK	3
11	SHF0023129	CRANK SHAFT	2
12	ZZ 0000451	1/2 X 1/2 X 1-1/2 KEY	4
13	LOK0017500	1-3/4 LOCK COLLAR	4
14	ZZ 0000203	1-3/4 X 18 GA MACHINE BUSHING	A/R
15	ARM0023168	FEEDER CRANK ARM	2
	WLK0000750	3/4 LOCK WASHER PLTD	12
	SCC0000812	3/4 X 3-1/2 NC HT CAP SCREW	12
16	SHF0023128	CRANK SHAFT	1
17	SHF0023131	RIGHT BEARING SHAFT	1
18	SHF0023203	SHAFT ASSY DETAIL( INC. 5-10 & 16)	1
19	SHF0023204	SHAFT ASSY DETAIL( INC. 5-11)	2
20	SPC0034397	FEEDER BEARING SEAL SPACER	6
21	FLT0034591	FEEDER BEARING SEAL FELT	6
22	BRG0507910	BEARING CUP-	6
23	SCC0000812	HEX HD CS NC 3/4 X 3-1/2	12
24	WLK0000750	LOCKWASHER MEDIUM 3/4"-PLATED	12

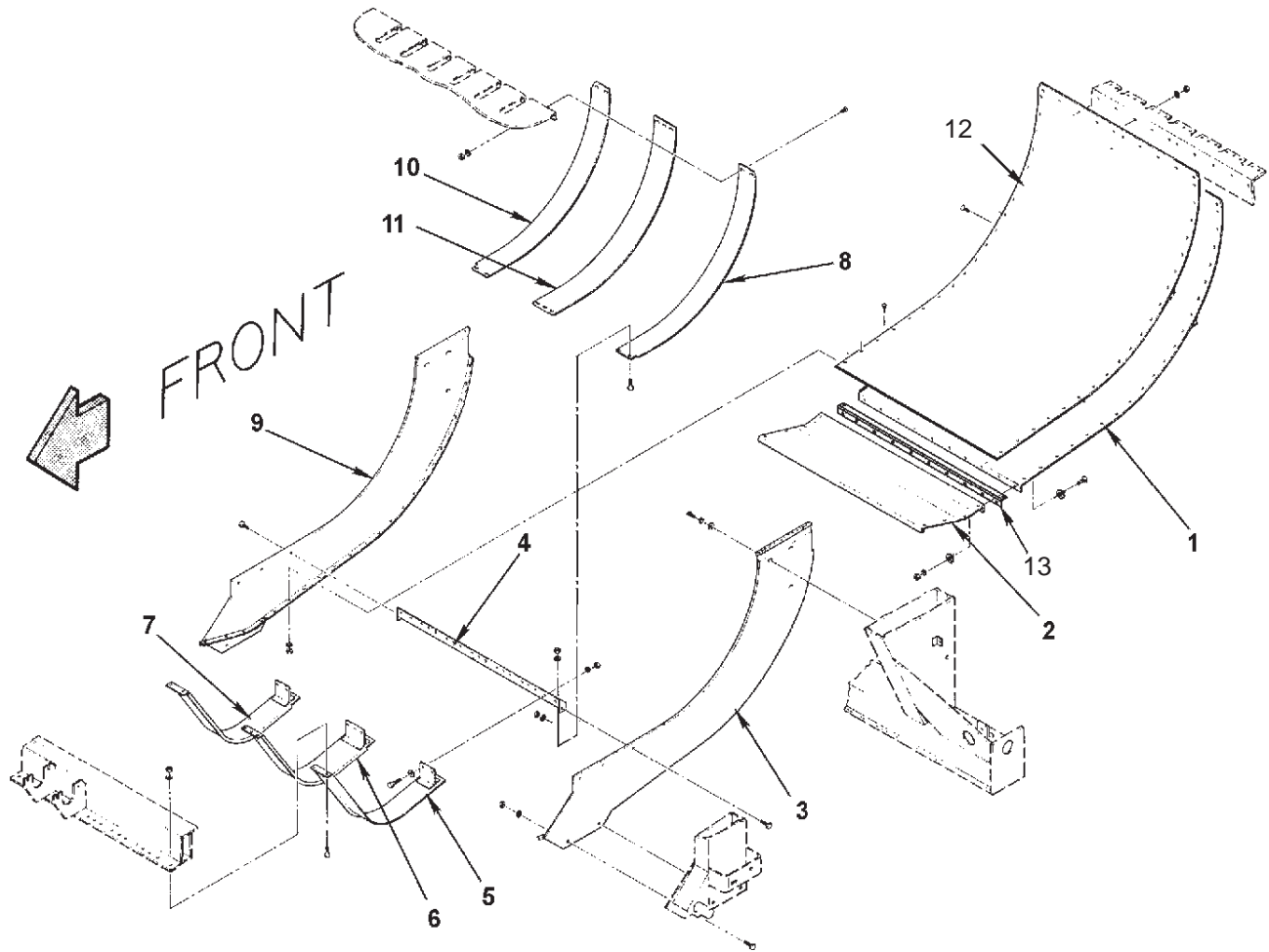
**FEED FORK ASSEMBLY**



## FEED FORK ASSEMBLY

REF NO.	PART NO.	DESCRIPTION	QTY. USED	REF NO.	PART NO.	DESCRIPTION	QTY. USED
1	901876	TINE ASSY,FEED FORK;*C; 1592D	1	24	CRA036651D	MATCHED FEEDFORK CRANK PAIR	1
2	900380	ARM ,RH	1	25	SHF036496D	SHAFT,DRIVE	1
3	BRG036008B	BEARING, FEED FORK FLAT	2	26	SHF0035371	SHAFT,RH;C; 3 DIA X 8	1
4	900381	ARM ,LH	1	27	SHF0035372	SHAFT	1
5	901555	LINK FEED FORK CRANK SHAFT	2	28	BRG0268250	BEARING	2
6	Y088307.5	BEARING, SELF ALIGNING	6	29	ZZ00000105	1/8 NPT STR 5/16 HEX ZERK	2
7	BRG0000008	BEARING	2	30	SPK0028041	FEED FORK SPROCKET	1
8	204770	RING, SNAP	2	31	BSH0026875	BUSHING F/1592 DRIVE SPROCKET	1
9	Y435242.62	RING RETAINING EXT	2	32	CAM0013897	FEEDER SWITCH CAM	1
10	SLV0018935	SHOCK BUSHING BOLT SLEEVE	1	33	SWIOCH5079	SWITCH, LIMIT	1
11	WAS0020049	WASHER FOR RUBBER BUSHING	3	34	ZZ00000456	KEY STOCK	1
12	BSH0001026	BUSHING	2	35	R13811196	NUT, LOCK; 3/4 NC GR8	4
13	SFC0080513	GRD 8 HEX CAP SCREW 1/2-20 X 3-3/4"	1	36	R13811457	WASHER, FLAT;	4
14	R13801898	CAPSCREW; 1 UNC X 3 HX HD	4	37	SFC8625600	CAPSCREW; 5/8 UNF X 6 HX HD	12
15	Y17C-0624	CAPSCREW; 3/8 UNC X 1 1/2 HX HD	8	38	R13803604	NUT, LOCK; 5/8 NF GR8	12
16	WAS0000110	1" SAE FLATWASHER	4	39	SQS3751250	3/8" X 1-1/4"SQ HD SET SCREW	12
17	R13803587	NUT, LOCK; 1 NC GR8	4	40	BKT0017448	SWITCH BRACKET	1
18	R13811191	NUT, LOCK; 3/8 NC GR8	4	41	901560	MOUNTING WLDMT,FEED LINK	1
19	R13811150	CAPSCREW; 3/4 NC X 3 GR8	4	42	901585	PL,LH GUIDE	1
20	235464	WASHER, FLAT; 5/8 ZC	20	43	234218	NUT, JAM; 1/2 NC GR8 ZC	4
21	R13811195	NUT, LOCK; 5/8 NC GR8	24	44	901586	PL,RH GUIDE	1
22	SHF0035370	SHAFT,LH;C; 3 DIA X 5.875	1	45	235590	CAPSCREW; 5/8 NC X 2 GR8 HX ZC	20
23	CRA036495E	PL,CRANK	1	46	SQS5002500	SETSCREW,SQ HEAD 1/2-13 X 2-1/2	4
				47	BRG0268750	BEARING	1

**INFEEED CHUTE ASSEMBLY**

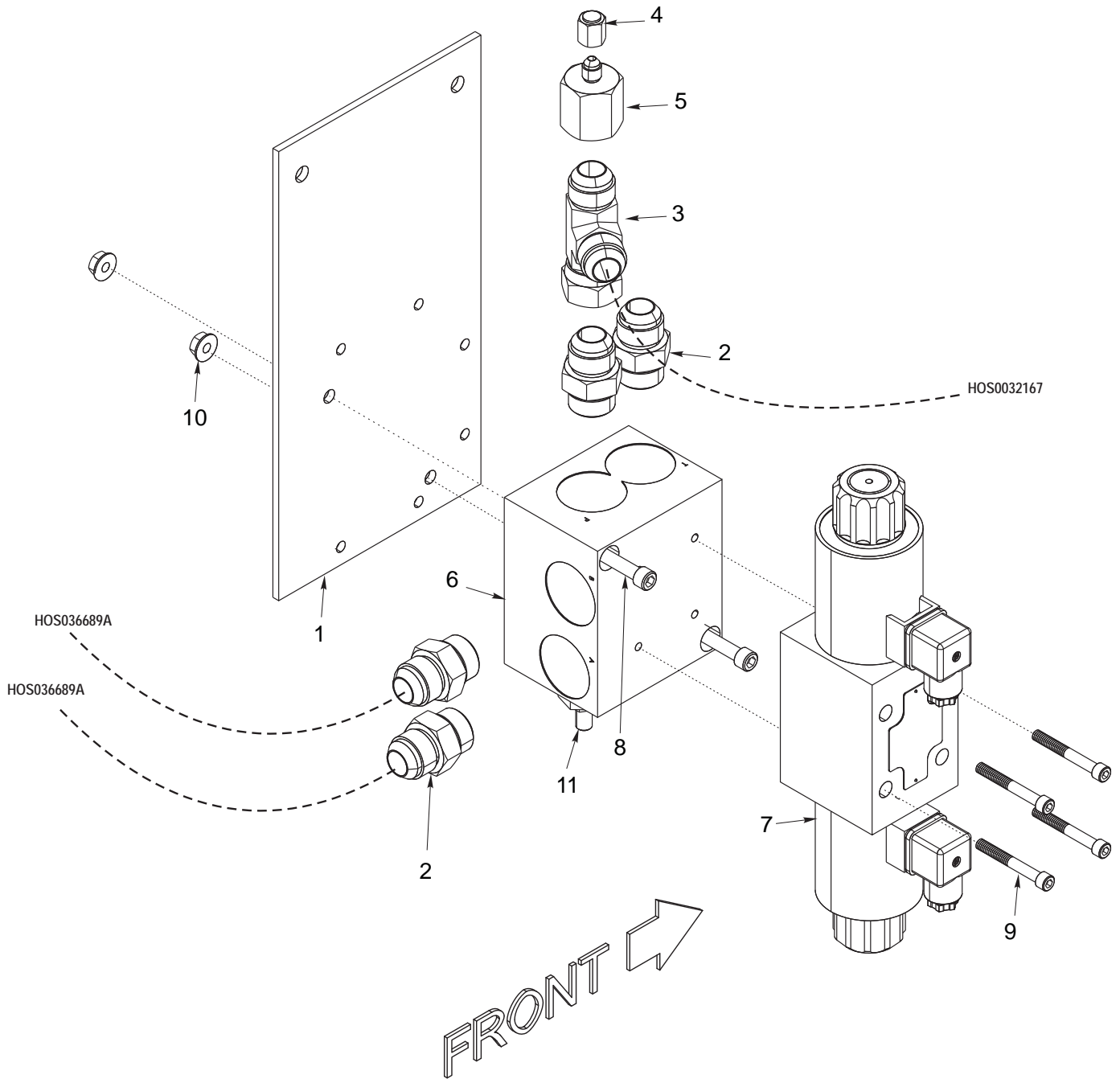




## INFEED CHUTE ASSEMBLY

REF NO.	PART NO.	DESCRIPTION	QTY. USED	REF NO.	PART NO.	DESCRIPTION	QTY. USED
1	CHU0022765	INFEED CHUTE REAR PAN ASY	1		CRB3130100	5/16X 1 CARRIAGE BOLT-PLTD	2
	CRB3130100	5/16X 1 CARRIAGE BOLT-PLTD	10		SCC0020002	5/16 X 1 NC HT CS - PLATED	2
	NCH0000313	5/16" NC HEX NUT - PLATED	10		NCH0000313	5/16" NC HEX NUT - PLATED	4
	WCT0000313	5/16" FLATWASHER-PLATED	10		WCT0000313	5/16" FLATWASHER-PLATED	4
2	CHU0022767	INFEED CHUTE FRONT PAN	1	8	GRD2521300	LFT OUTSIDE CHUTE GRD-MODIFIED	1
	SCC0020002	5/16 X 1 NC HT CS - PLATED	10		CRB3130100	5/16X 1 CARRIAGE BOLT-PLTD	2
	WCT0000313	5/16" FLATWASHER-PLATED	10		SCC0020002	5/16 X 1 NC HT CS - PLATED	2
	NCH0000313	5/16" NC HEX NUT - PLATED	10		NCH0000313	5/16" NC HEX NUT - PLATED	4
3	CHU0028810	LFT INFEED CHUTE SIDE PLT-A/94	1		WCT0000313	5/16" FLATWASHER-PLATED	4
	CRB2500075	1/4 X 3/4 CARRIAGE BOLT	20	9	CHU0028811	INFEED CHUTE RHT SIDE PLT-A/94	1
	NCH0000250	1/4" NC HEX NUT - PLATED	20		CRB2500075	1/4 X 3/4 CARRIAGE BOLT	20
	SBH0003001	3/8 X 3/4 NC BUTTON HD - PLT	2		SBH0003001	3/8 X 3/4 NC BUTTON HD - PLT	2
	WLK0000375	3/8" MEDIUM LOCKWASHER - PLTD	5		SCC0030003	3/8 X 1-1/4 NC HT CS - PLATED	5
	WCT0000375	3/8" FLATWASHER - PLATED	11		NCH0000250	1/4" NC HEX NUT - PLATED	20
	SCC0030003	3/8 X 1-1/4 NC HT CS - PLATED	5		WLK0000375	3/8" MEDIUM LOCKWASHER - PLTD	5
	NCH0000375	3/8" NC HEX NUT - PLATED	7		WCT0000375	3/8" FLATWASHER - PLATED	11
4	SUP0022487	FEEDER GUARD SUPPORT	1	10	GRD2521301	RHT OUTSIDE CHUTE GRD-MODIFIED	1
5	GRD0224960	LH OUTSIDE FEEDER GUARD	1		CRB3130100	5/16X 1 CARRIAGE BOLT-PLTD	2
	CRB3130100	5/16X 1 CARRIAGE BOLT-PLTD	2		SCC0020002	5/16 X 1 NC HT CS - PLATED	2
	SCC0020002	5/16 X 1 NC HT CS - PLATED	2		NCH0000313	5/16" NC HEX NUT - PLATED	4
	NCH0000313	5/16" NC HEX NUT - PLATED	4		WCT0000313	5/16" FLATWASHER-PLATED	4
	WCT0000313	5/16" FLATWASHER-PLATED	4	11	GRD0022486	CENTER FEED CHUTE GUARD	5
6	GRD0022492	CENTER FEEDER GUARD	5		CRB3130100	5/16X 1 CARRIAGE BOLT-PLTD	30
	CRB3130100	5/16X 1 CARRIAGE BOLT-PLTD	15		NCH0000313	5/16" NC HEX NUT - PLATED	30
	SCC0020002	5/16 X 1 NC HT CS - PLATED	15		WCT0000313	5/16" FLATWASHER-PLATED	30
	NCH0000313	5/16" NC HEX NUT - PLATED	30	12	LIN037661E	FEED CHUTE LINER,UHMW	1
	WCT0000313	5/16" FLATWASHER-PLATED	30	13	ANC037660B	FEED CHUTE LINER ANCHOR	1
7	GRD0224961	RH OUTSIDE FEEDER GUARD	1				

**PICKUP AND FEEDER CONTROL VALVE ASSEMBLY**

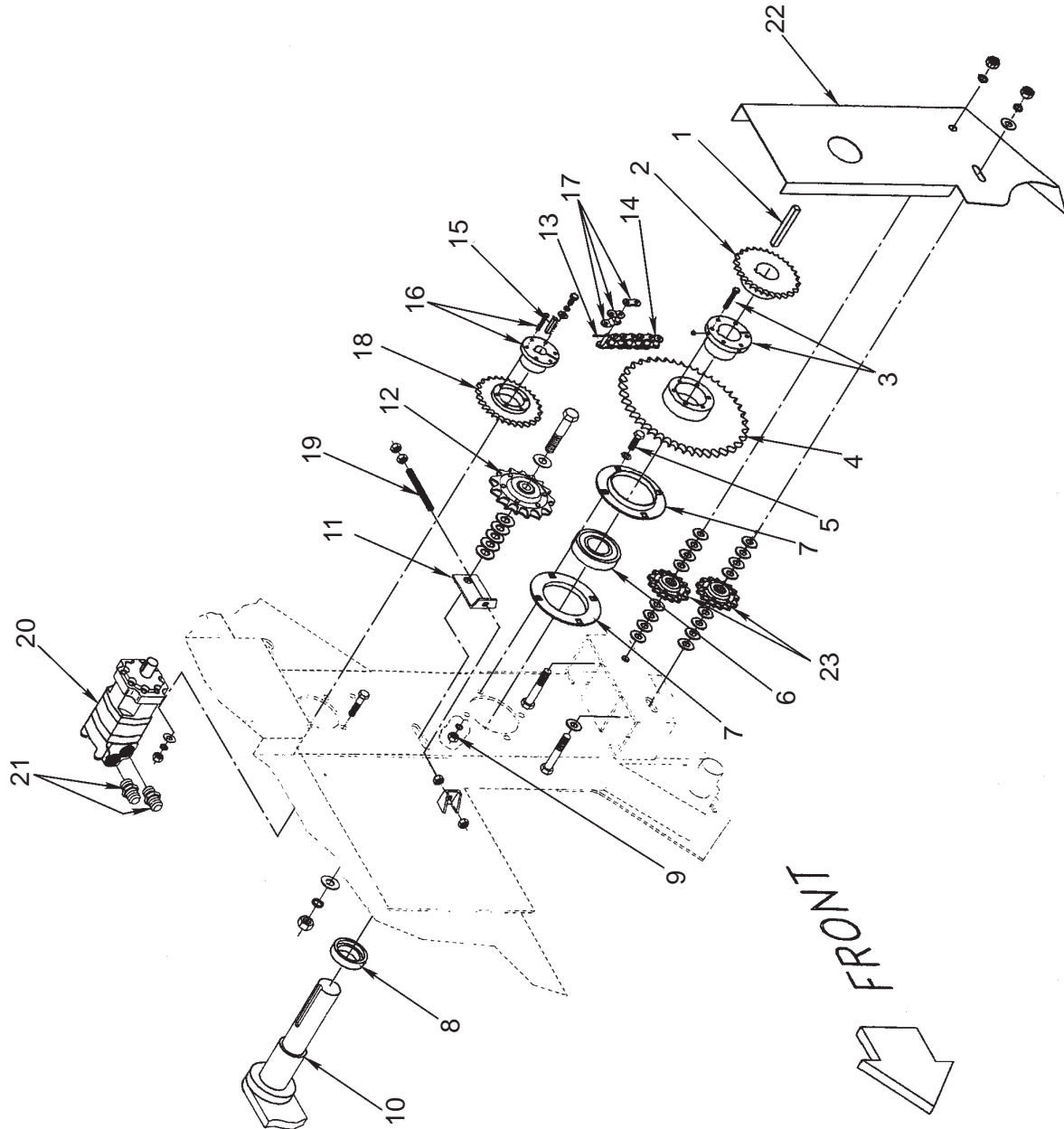


---

## PICKUP AND FEEDER CONTROL VALVE ASSEMBLY

REF NO.	PART NO.	DESCRIPTION	QTY. USED
1	MNT037719B	SOLENOID VALVE MOUNT	1
2	HYD5315060	3/4JIC X 3/4 O-RNG ST THD CONN	4
3	HYD5706060	3/4" JIC SWIVEL RUN TEE	1
4	HYD5129020	1/4" JIC CAP	1
5	HYD5015062	3/4 TO 1/4 JIC TUBE REDUCER	1
6	VLV0000035	VALVE SUBPLATE, CAVITY	1
7	VLV0000062	SOLENOID VALVE 4 WAY 3 POS 12VDC	1
8	SCS0000209	SOCKET HEAD CS NC 5/16 X 4	2
9	SCS0000105	SOCKET HEAD CS NC 1/4 X 2	4
10	NMS0000117	WHIZ NUT 5/16-18 PLATED	2
11	VLV0000034	RELIEF VLV CART,53GPM,6000 PSI	1

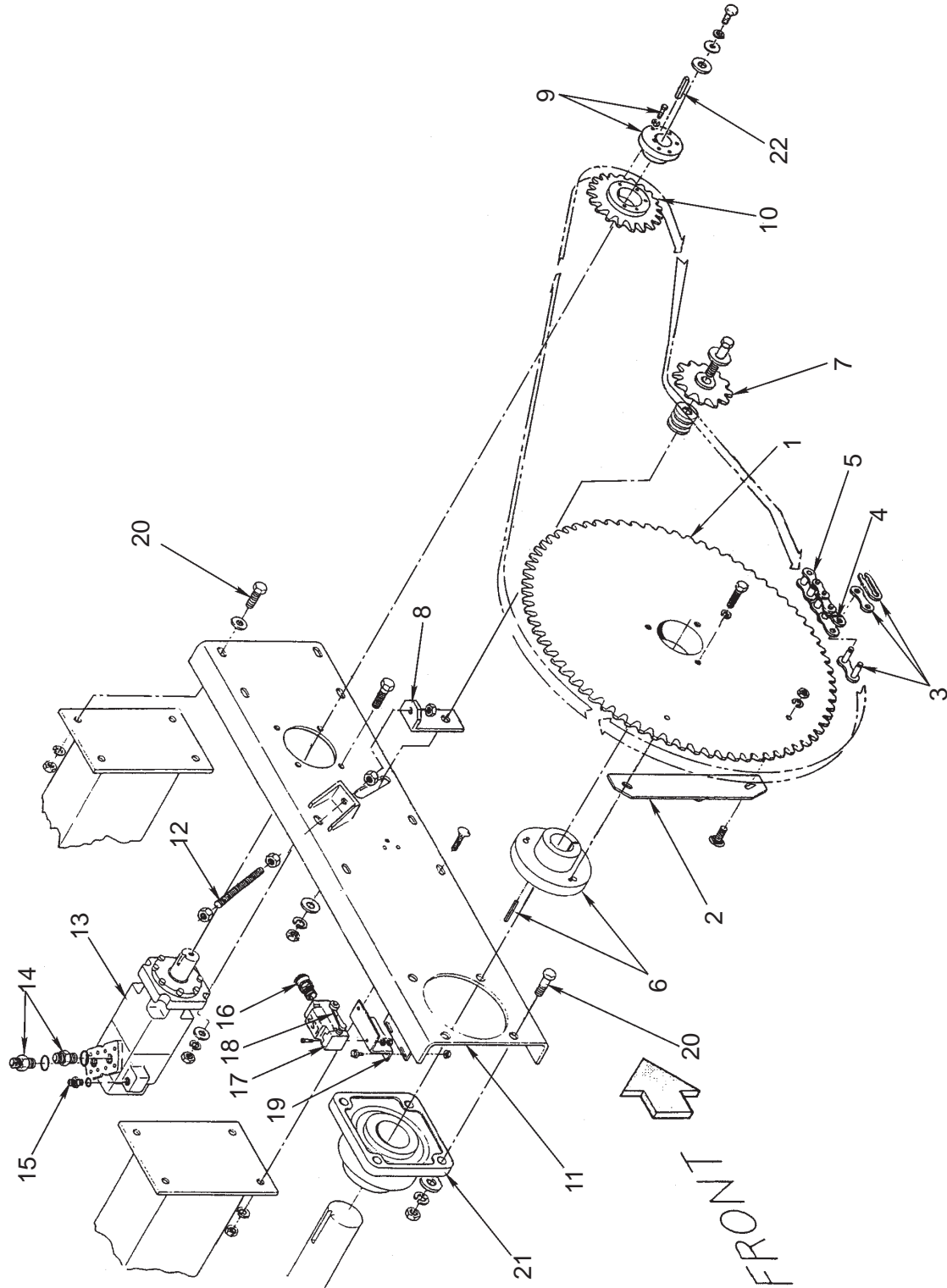
**FEEDER AND PICKUP DRIVE ASSEMBLY**



## FEEDER AND PICKUP DRIVE ASSEMBLY

REF NO.	PART NO.	DESCRIPTION	QTY. USED	REF NO.	PART NO.	DESCRIPTION	QTY. USED
1	ZZ 0000458	1/2 X 1/2 X 4-1/2 KEY	1		WCT0000375	3/8" FLATWASHER - PLATED	1
2	SPK0602202	SPROCKET -	1		WLK0000375	3/8" MEDIUM LOCKWASHER - PLTD	1
3	BSH0020000	P/U FEED CRANK DRV BUSHING 2"	1		SCC0030001	3/8 X 3/4 NC HT CS - PLATED	1
4	SPK0080360	SPROCKET	1	17	OFL0000102	OFFSET LINK-	1
5	SFC0080504	1/2-20 X 1-1/2 GRD 8 CAP SCREW	4	18	SPK0080190	SPROCKET -	1
	WAS0000104	1/2 STRUCTURAL WASHER	4	19	ROD0017217	NEEDLE YOKE DRIVE ROD	1
	WLK0000500	1/2" LOCKWASHER - PLATED	4		NCH0000500	1/2" NC HEX NUT	4
6	BRG0002000	1ST FEEDER 1592 CRANK BEARING	1	20	MTR1091104	MOTOR -	1
7	BRG0002001	BEARING STAMPING F/BRG2000	2		SCC0050007	1/2 X 2-1/4 NC HT CS - PLATED	4
8	BRG0002002	LOCK COLLAR	1		NCH0000500	1/2" NC HEX NUT	4
9	NFH0080500	1/2"-20 GRADE 8 HEX NUT	4		WCT0000500	1/2" FLATWASHER - PLATED	4
10	SHF0023127	FEEDER CRANK SHAFT	1		WLK0000500	1/2" LOCKWASHER - PLATED	4
11	BKT0020148	CHAIN TIGHTENER BRACKET	1	21	HYD5315060	3/4JIC X 3/4 O-RNG ST THD CONN	2
12	SPK128012S	IDLER SPOCKET -	1	22	GRD0505568	PICKUP DRIVE CHAIN GUARD	1
	NCH0000750	3/4" NC HEX NUT - PLATED	1	23	SPK011536S	IDLER SPRCKET	2
	WLK0000750	3/4" MEDIUM LOCKWASHER-PLATED	1		SCC0070013	HEX HD CS NC 5/8 X 3-3/4 - PLATED	2
	WCT0000750	3/4" FLATWASHER - PLATED	1		WCT0000625	FLAT WASHER 5/8 -PLATED	24
	SCC0080007	3/4 X 2-1/4 NC HT CS - PLATED	1		WLK0000625	5/8" MEDIUM LOCKWASHER - PLTD	2
	WAS0000139	3/4 SAE FLATWASHER	5		NCH0000625	HEX NUT NC 5/8 - PLATED	2
13	CNK0000801	CONNECTING LINK-	1				
14	CHN0008064	CHAIN -	1				
15	ZZ 0000432	5/16 X 5/16 X 1-5/8 KEY	1				
16	BSH0101251	HUB- 1-1/4 5/16	1				

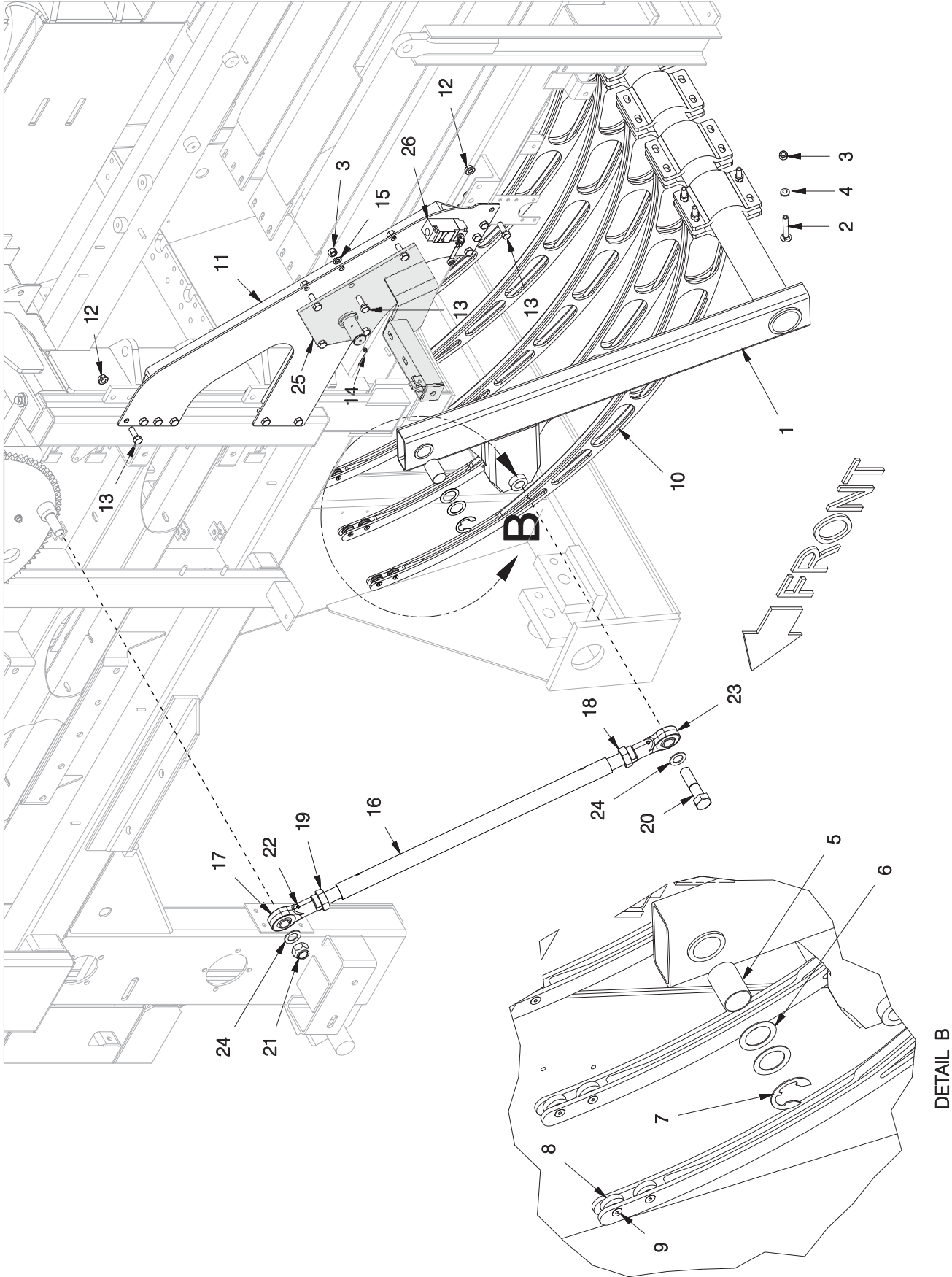
**FEED FORK DRIVE ASSEMBLY**



## FEED FORK DRIVE ASSEMBLY

REF NO.	PART NO.	DESCRIPTION	QTY. USED	REF NO.	PART NO.	DESCRIPTION	QTY. USED
1	SPK0028041	FEED FORK SPROCKET	1	13	MTR1121067	MOTOR-	1
2	CAM0013897	FEEDER SWITCH CAM	1		NCH0000500	1/2" NC HEX NUT - PLATED	4
	CRB3131000	5/16X1 CARRIAGE BOLT	1		SCC0050007	1/2 X 2-1/4 NC HT CS - PLATED	4
	WLK0000313	5/16" MEDIUM LOCKWASHER - PLTD	1		WAS0000104	1/2 STRUCTURAL WASHER	4
	NCH0000313	5/16" NC HEX NUT - PLATED	1	14	HYD5315067	3/4JIC X 1" O-RNG ST THD CONN	2
3	CNK0000801	CONNECTING LINK-	1	15	F 0006684	1/4JIC X 1/4 O-RNG ST THD CONN	1
4	OFL0000102	OFFSET LINK-	1	16	CNR0000193	1/2" CORD CONN	1
5	CHN0080100	2ND FDR DRV CHN	1	17	SWI0005079	LIMIT SWITCH -4 POST	1
6	BSH0026875	BSH SPECIAL	1		SMR1032150	10-32X1-1/2 RH MACH SCREW-PLT	2
	ZZ00000456	5/8" X 5/8" X 2-1/2" KEY	1		NFH0001032	10-32 NF HEX NUT - PLATED	2
7	SPK128012S	IDLER SPOCKET	1		WLK0000100	#10 LOCKWASHER - PLATED	2
	SCC0080014	3/4 X 4 NC HT CS - PLATED	1	18	ARM0CH5084	3" LEVER ARM W/3/4" ROLLER	1
	WAS0000139	3/4 SAE FLATWASHER	5	19	BKT0017448	2ND FEED SWITCH BKT -	1
	WCT0000750	3/4" FLATWASHER - PLATED	1		SMS0000172	1/4 X 3/4 NC WHIZ BOLT	2
	NCH0000750	3/4" NC HEX NUT - PLATED	1		NMS0000250	1/4" NC WHIZ NUT - PLATED	2
	WLK0000750	3/4" MEDIUM LOCKWASHER-PLATED	1	20	CRB7500175	1/2 X 1-3/4 GR 5 CARR BOLT-PLT	8
8	BKT0020148	CHAIN TIGHTENER BRACKET	1		WAS0000104	1/2 STRUCTURAL WASHER	4
9	BSH0101502	QDSF X 1-1/2 BUSHING	1		NCH0000500	1/2" NC HEX NUT - PLATED	8
	WCT0000500	1/2" FLATWASHER - PLATED	1		WLK0000500	1/2" LOCKWASHER - PLATED	8
	WCT0000375	3/8" FLATWASHER - PLATED	1	21	BRG0268750	2-11/16"4-BOLT FLANGE BEARING	1
	WLK0000375	3/8" MEDIUM LOCKWASHER - PLTD	1		SCC0070006	5/8 X 2 NC HT CS - PLATED	4
	SCC0030001	3/8 X 3/4 NC HT CS - PLATED	1		WLK0000625	5/8" LOCKWASHER - PLATED	4
10	SPK0080210	SPROCKET	1		WAS0000105	5/8 STRUCTURAL WASHER	4
11	MNT0018946	CHAR LYNN 6000 MOTOR MNT -1500	1	22	F 0004104	3/8 X 3/8 X 1-1/2 KEY	1
12	ROD0015719	CHAIN TIGHTENER ADJUSTMENT ROD	1				
	NCH0000500	1/2" NC HEX NUT - PLATED	4				

**NEEDLES AND NEEDLE YOKE ASSEMBLY**

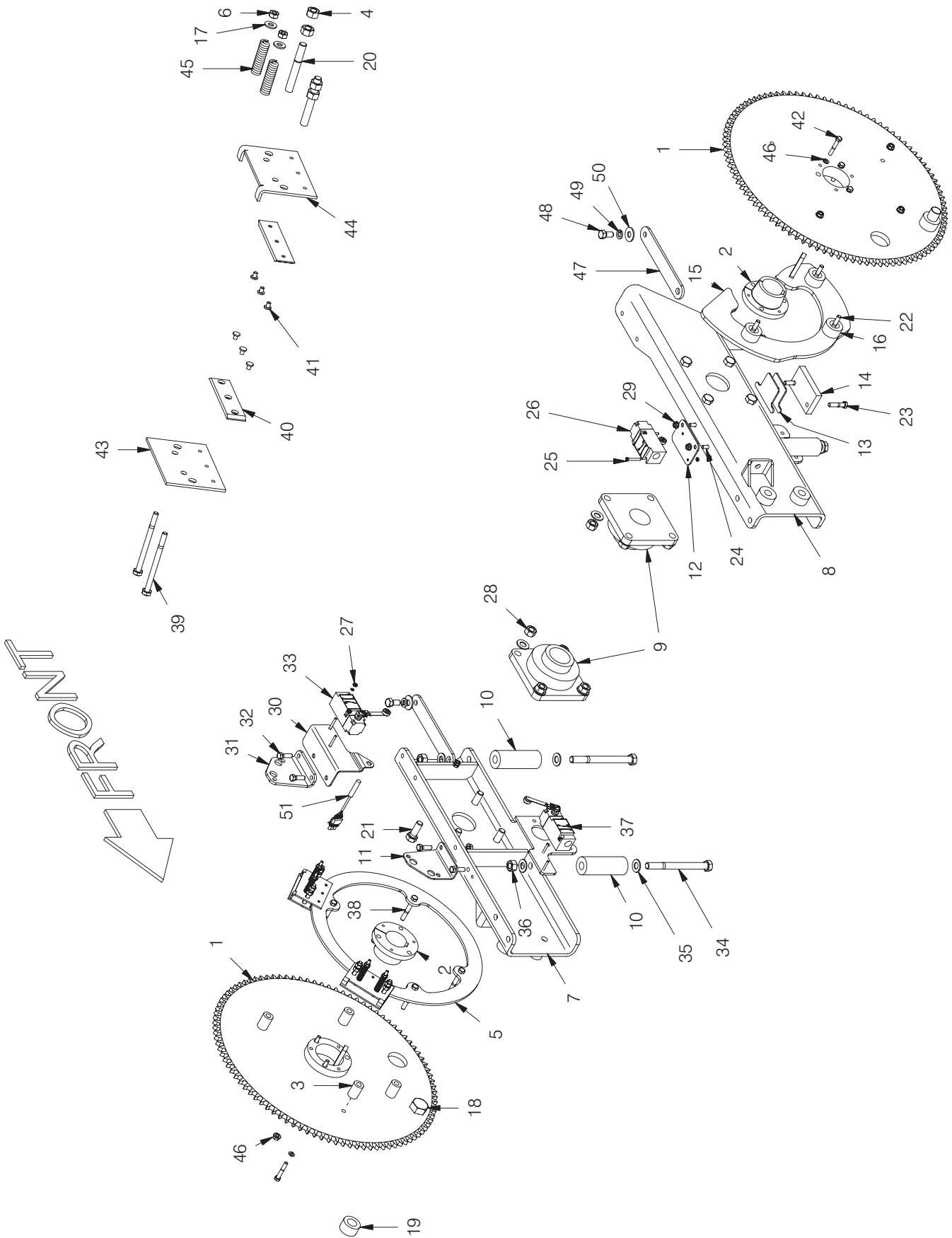




## NEEDLES AND NEEDLE YOKE ASSEMBLY

REF NO.	PART NO.	DESCRIPTION	QTY. USED
1	YOK036353E	NEEDLE YOKE ASSEMBLY	1
2	F000007552	NEEDLE TO YOKE CARR BOLT W/NUT	24
3	234921	NUT, HEX; 1/2 NC GR8	24
4	R13811433	WASHER, HARD; 1/2	24
5	F000004137	1-1/2 X 1-3/8 X 2 BUSHING	2
6	F000007977	1-3/8X1-7/8X.010 SPACER WASHER	2
	SHM0000103	SHIM-1-3/8"STEEL F/KNOTTER ASSY	2
7	F000007988	SNAP RING F/KNOTTER SHAFT	2
8	PUL0000001	PULLEY 1.25 OD X .25 BORE	12
9	230668	FLAT HD SOC CS NC 1/4 X 1	12
10	901729	DOUBLE KNOTTER NEEDLE	6
11	SUP036360D	L.H. NEEDLE YOKE PIVOT SUPRT	1
	SUP036361D	RH NEEDLE YOKE PIVOT SUPRT	1
12	NMS0000252	WHIZ NUT NC 1/2 - PLATED	18
13	229171	HEX HEAD CAP SCREW 1/2-13 X 1-1/2	32
14	11079	1/4-28 STR 5/16 HEX ZERK	2
15	234665	1/2" MEDIUM LOCKWASHER	10
16	ROD0035594	DBLE KNTTER NDLE YOKE DRIVE ROD	2
17	ROD0001600	L. H. ROD END KNOTTER SIDE	2
18	NFJ0012500	JAM NUT NF 1-1/4	2
19	231071	LH JAM NUT NF 1-1/4	2
20	SFC0001014	HEX HD CS NF 1 X 4	4
21	NFE0001000	1" NF ESNA NUT - PLATED	4
22	ZZ00000118	ZERK DRIVE STR	4
23	ROD0000160	RH ROD END YOKE SIDE	2
24	WAS0000123	1" STRUCTURAL WASHER	4
25	MNT036384D	LH NEEDLE YOKE MOUNT ASSY	1
	MNT036385D	RH NEEDLE YOKE MOUNT ASSY	1
26	SWIOCH5081	LIMIT SWITCH -4 POST LS-13	1
	HRN0036239	LS-13 SWITCH HARNESS TO JOB2	1
	CNR0000194	1/2 CORD CONNECTOR(.375-.500)	1
	ARM0CH5084	3" LEVER ARM W/3/4" ROLLER	1

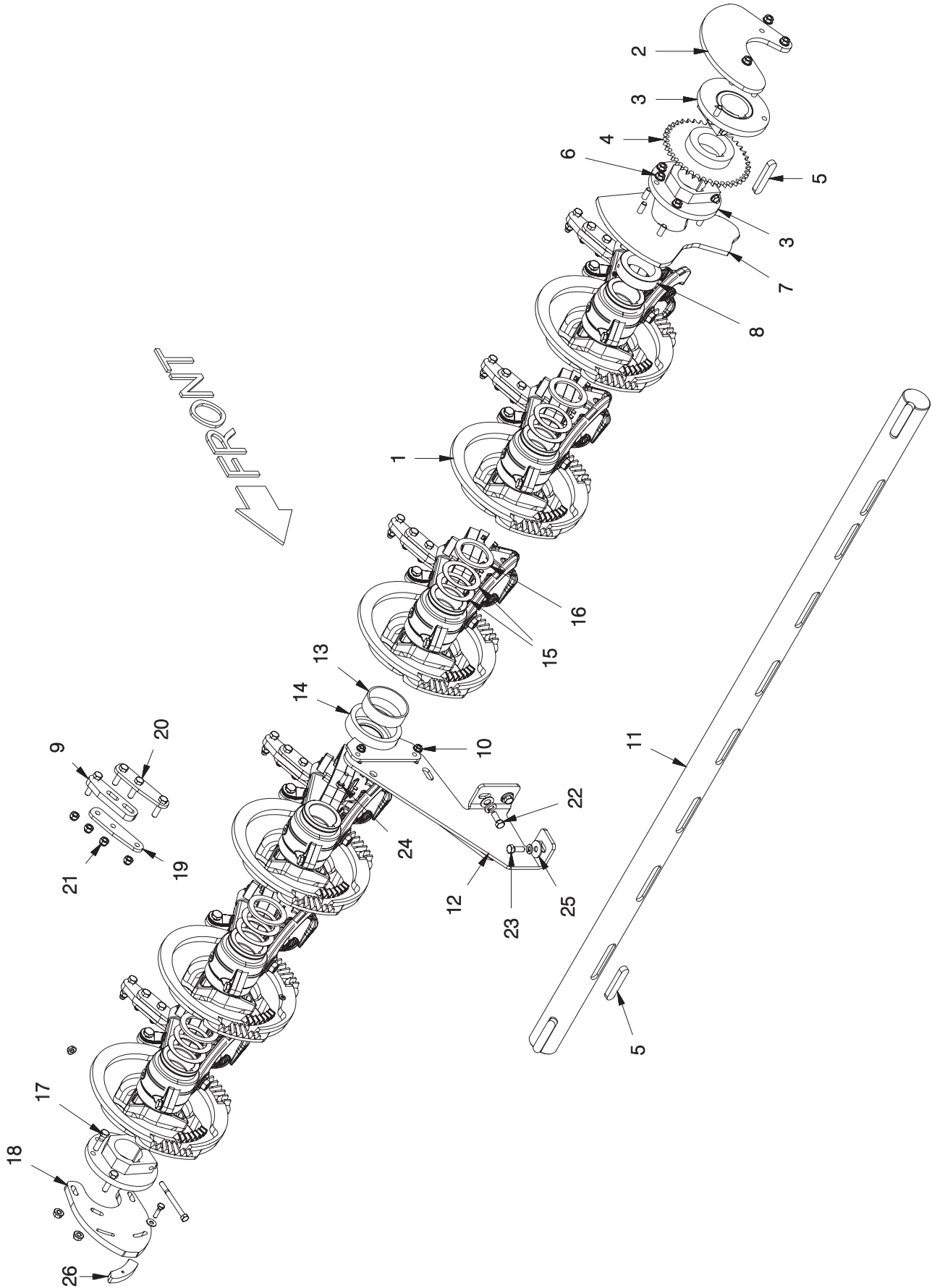
### KNOTTER BRAKE ASSEMBLY



## KNOTTER BRAKE ASSEMBLY

REF NO.	PART NO.	DESCRIPTION	QTY. USED	REF NO.	PART NO.	DESCRIPTION	QTY. USED
1	SPK0035580	DOUBLE KNOTTER SPROCKET	2	27	NFH0001032	HEX NUT 10-32 ZINC	6
2	BSH0021875	2-3/16" BUSHING F/SPK35580	2	28	NCH0000625	HEX NUT NC 5/8 - PLATED	8
3	SPC036403A	KNOTTER BRAKE SPACER	4	29	NMS0000117	WHIZ NUT 5/16-18 PLATED	2
4	NFH0000375	3/8" NF HEX NUT - PLATED	4	30	MNT037317B	DOUBLE KNOTTER LS-1 MOUNT	1
5	KNT036402D	KNOTTER BRAKE DISC	1	31	MNT036725B	DOUBLE KNOTTER REAR BRAKE MNT	1
6	NCH0000250	HEX NUT NC 1/4 - PLATED	4	32	SCC0030003	HEX HD CS 3/8-16 X 1-1/4	2
7	MNT036413D	RIGHT DOUBLE KNOTTER MNT	1	33	SWI0CH5081	LIMIT SWITCH -8 POST	1
8	MNT036412D	LEFT DOUBLE KNOTTER MOUNT	1		ARMOCH5084	LEVER ARM, 3"	1
9	BRG0000018	BEARING 2-3/16" BORE	2		HRN036509D	HARNESS, LS-1 SWITCH TO JB-2	1
10	KNT036411A	DOUBLE KNOTTER PEDESTAL	4	34	SFC0080720	GRD 8 HEX HD CS NF 5/8 X 7	4
11	MNT036726B	DOUBLE KNOTTER FRONT BRAKE MNT	1	35	WAS0000140	5/8 SAE FLATWASHER	4
12	MNT036748A	DOUBLE KNOTTER LS-7 MOUNT	1	36	NFH0000625	HEX NUT NF 5/8 - PLATED	4
13	SHM036869A	TWINE TUCKER STOP SHIM	2	37	SWI0CH5081	LIMIT SWITCH -8 POST	1
14	STO036727A	TWINE TUCKER STOP	1		ARMOCH5084	LEVER ARM, 3"	1
15	CAM036405D	TWINE TUCKER CAM F/ 1600	1		HRN036510B	HARNESS LS-12 SWITCH TO JB-2	1
16	SPC036404A	TWINE TUCKER CAM SPACER	3	38	SCC0030009	HEX HEAD CAP SCREW 3/8-16 X 2-3/4	4
17	WCT0000250	FLAT WASHER 1/4 - PLATED	4	39	SCC0000111	HEX HD CS NC 1/4 X 3-1/4	2
18	SFC0001014	HEX HD CS 1"-14 X 4" GRADE 5	1	40	F000007454	BRAKE LINING W/RIVETS (PAIR)	2
19	SPC036406A	NEEDLE YOKE DRIVE SPACER	1	41	RIV0000106	RIVET F/KNOTTER BRAKE LINING	6
20	SFC0030010	HEX HD CS NF 3/8 X 3 - PLATED	2	42	SCC0030006	HEX HD CS NC 3/8 X 2 - PLATED	6
21	SCC0070005	HEX HD CS NC 5/8 X 1-3/4 - PLATED	8	43	F000007450	OUTSIDE BRAKE PLATE W/LINING	1
22	SCC0030008	HEX HEAD CAP SCREW 3/8-16 X 2-1/2	3	44	F000007449	INSIDE BRAKE PLATE W/LINING	1
23	NMS0000375	WHIZ NUT NC 3/8 - PLATED	9	45	F000007453	BRAKE PLATE SPRING	2
24	SCC0020002	HEX HEAD CAP SCREW 5/16-18 X 1	2	46	234135	WASHER, LOCK; 3/8	6
25	SMR1032150	RND HD MS NF 10-32X1-1/2	6	47	900333	PL,MTG;A; .25PL X 1.5 X 9.25	1
26	SWI0CH5079	LIMIT SWITCH -4 POST	1	48	234885	CAPSCREW; 1/2 NC X 1	2
	ARMOCH5084	LEVER ARM, 3"	1	49	234665	LOCKWASHER MEDIUM 1/2	2
	HRN0505671	HARNESS-LS2,3,5,7 -1592	1	50	00120396	WASHER, FLAT; 1/2	2
				51	901890	SWITCH ASSY,PROX	1

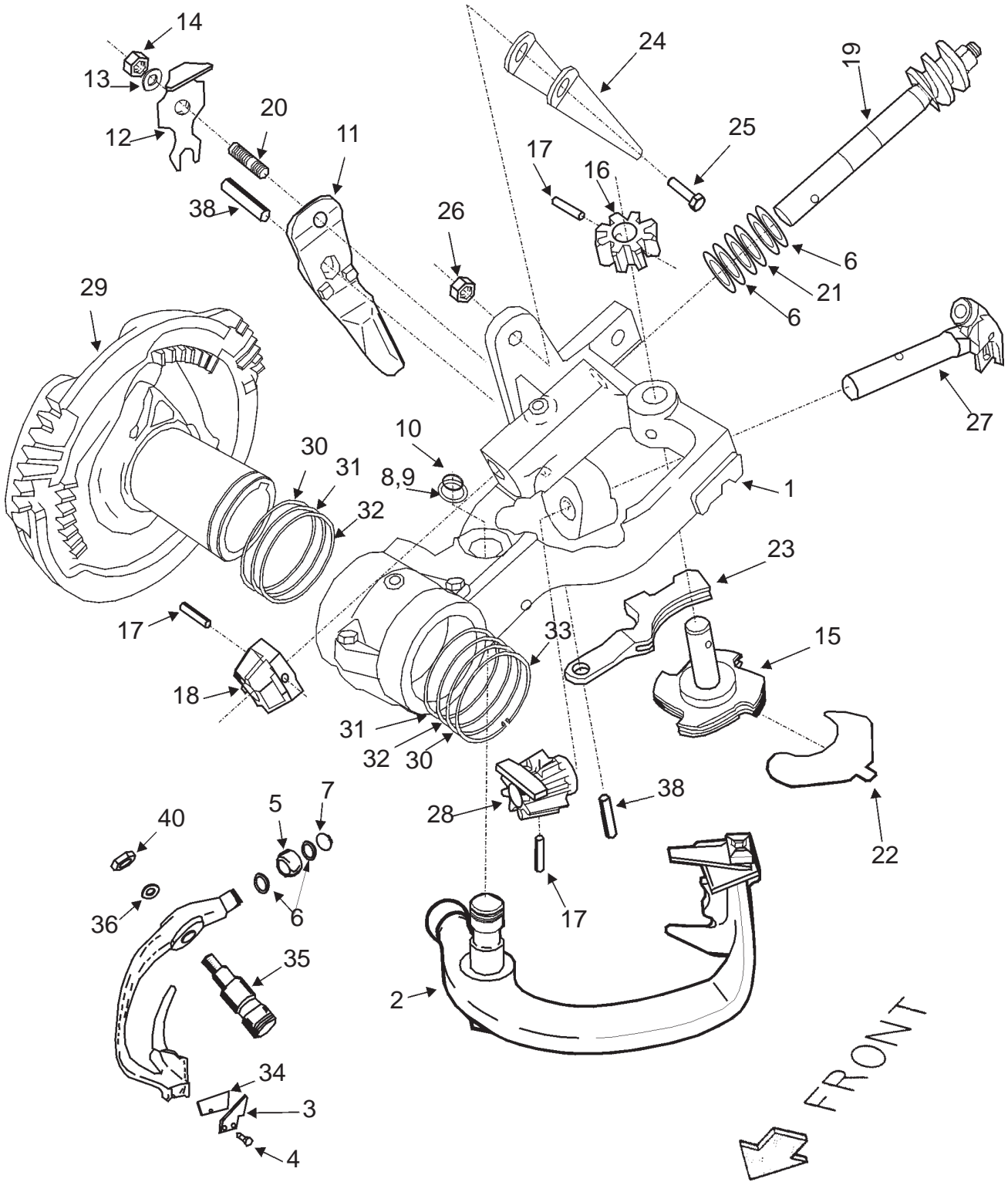
**KNOTTER SHAFT ASSEMBLY**



## KNOTTER SHAFT ASSEMBLY

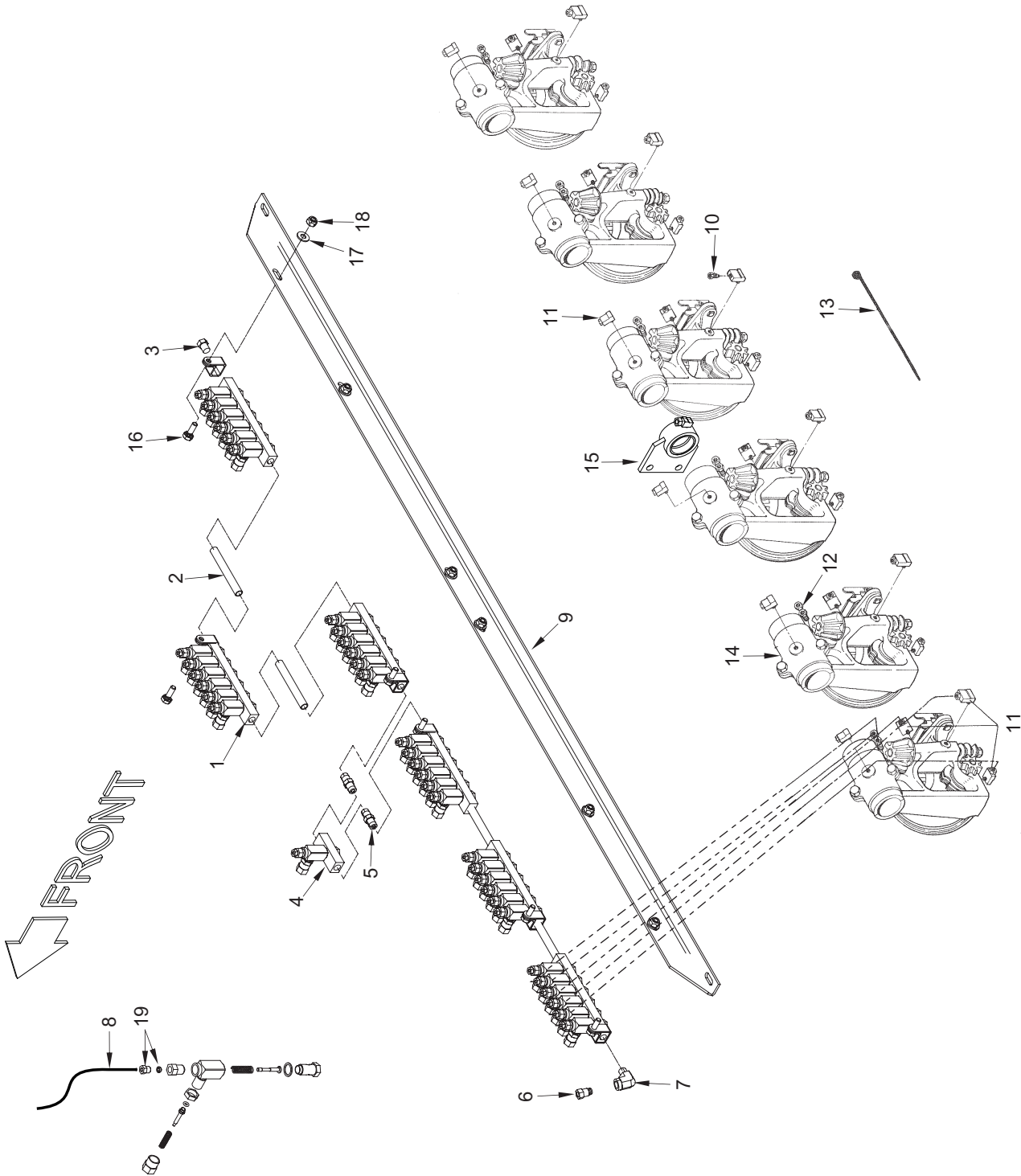
REF NO.	PART NO.	DESCRIPTION	QTY. USED
	900315	DOUBLE KNOTTER ASSY;*; 1592D	
1	KNT0613103	DOUBLE KNOTTER COMPLETE	6
2	CAM036734B	DOUBLE KNOTTER LS-7 CAM	1
3	MNT036736B	DOUBLE KNOTTER CAM MOUNT	3
4	SPK0041B40	SPK 2-3/16"BORE F/DOUBLE KNOTTER	1
5	RS20661130	DOUBLE KNOTTER KEY	10
6	NMS0000375	WHIZ NUT NC 3/8 - PLATED	10
7	CAM037541E	ALTERNATE TWINE FINGER CAM #7	1
8	ZZ00020002	SET COLLAR, 2-3/16	1
9	LNK035922B	KNOTTER ANCHOR LINK	6
10	NMS0000117	WHIZ NUT 5/16-18 PLATED	2
11	SHF036672E	DOUBLE KNOTTER SHAFT	1
12	SUP037147D	CENTER BEARING SUPPORT	1
13	BRG0000015	BRONZE BRG, OIL IMPREGNATED	1
14	MNT036479B	DOUBLE KNOTTER CENTER BRG MNT	1
15	SHM036712A	DOUBLE KNOTTER SHIM-22GA	12
16	SPC036711A	DOUBLE KNOTTER SPACER 3/16"	8
17	SCC0030003	HEX HD CS 3/8-16 X 1-1/4	10
18	CAM036738B	DOUBLE KNOTTER LS-1,LS-12 CAM	1
19	CLP035921B	KNOTTER ANCHOR CLAMP	12
20	SCC0030005	HEX HD CS NC 3/8 X 1-3/4	18
21	NCE0000375	ESNA NUT 3/8-16 PLATED	18
22	SCC0050002	1/2-13 X 1" HEX CAP SCREW GRADE 5	2
	WCT0000500	FLAT WASHER 1/2 USS	2
	WLK0000500	1/2" LOCKWASHER - PLATED	2
23	SCC0030002	HEX HEAD CAP SCREW 3/8-16 X 1"	1
	WCT0000375	FLAT WASHER 3/8 USS	1
	WLK0000375	3/8" MEDIUM LOCKWASHER - PLTD	1
24	SCC0020002	HEX HEAD CAP SCREW 5/16-18 X 1	2
25	WCT0000313	FLAT WASHER 5/16 -PLATED	3
26	902007	KNOTTER SLOWDOWN CAM	1

**DOUBLE KNOTTER ASSEMBLY**



## DOUBLE KNOTTER ASSEMBLY

REF NO.	PART NO.	DESCRIPTION	QTY. USED	REF NO.	PART NO.	DESCRIPTION	QTY. USED
	KNT0613103	DOUBLE KNOTTER COMPLETE	6	21	F00000658	14 GA. KNOTTER WORM WASHER	AR
1	RS20061311	DOUBLE KNOTTER FRAME	1		F00000659	18 GA. KNOTTER WORM WASHER	AR
2	RS20661231	DOUBLE KNOTTER KNIFE ARM	1		F000001680	28 GA. KNOTTER WORM WASHER	AR
3	RS20644360	DOUBLE KNOTTER TWINE KNIFE	1	22	RS20637832	DOUBLE KNOTTER CLEANER	1
4	RS30501651	DOUBLE KNOTTER TWINE KNIFE BOLT	2	23	RS20637841	DOUBLE KNOTTER TWINE HOLDER	1
5	F000008274	ROLLER F/KNIFE ARM	1	24	F000008052	TWINE HOLDER SPRING	3
6	F000008280	1 MM WASHER-WORM SHF & KNF ARM	AR	25	SCCM010030	GRD 8.8 HEX HD CS 10M X 1.50 X 30MM	1
	RS00010500	.5MM WASHER-WORM SHF & KNF ARM	AR	26	NCHM010150	GR 8.8 HEX NUT 10M X 1.50 MC	1
7	F000008275	SNAP RING F/KNIFE ARM ROLLER	1	27	RS20661280	DOUBLE KNOTTER BILL HOOK ASSY	1
8	RS34262000	DOUBLE KNOTTER SPACER	AR		RS20628350	DOUBLE KNOT BILL HOOK TRIGGER	1
9	F000007860	KNIFE ARM WASHER 25 X 20 X .5M	AR		252956	PIN	1
10	F000007976	SNAP RING F/KNIFE ARM SHAFT	1	28	RS20661270	DOUBLE KNOTTER BILL HOOK PINION	1
11	RS20632030	DOUBLE KNOTTER JAW CAM	1	29	RS20561321	DOUBLE KNOTTER CAM GEAR	1
12	F000007947	KNOTTER HOOK CAM ADJUST SPRING	1	30	RS20661070	DOUBLE KNOTTER WASHER 1.3MM SS	AR
13	WCT0000313	FLAT WASHER 5/16 -PLATED	1	31	RS20661080	DOUBLE KNOTTER WASHER .5MM SS	AR
14	RS33110851	DOUBLE KNOTTER NUT	1	32	RS20661090	DOUBLE KNOTTER ADJ WASH .2MM SS	AR
15	RS20661240	DOUBLE KNOTTER TWINE DISC ASSY	1	33	RS20661060	DOUBLE KNOTTER CIRCLIP	1
16	F000007871	TWINE HOLDER DISC WORM PINION	1	34	RS20621360	DOUBLE KNOTTER KNIFE SUP SPACER	1
17	RS05227344	SPIRAL PIN F/KNOTTER GEARS	3	35	RS20637724	KNIFE ARM PIN ONLY -	1
18	RS20661260	DOUBLE KNTTER WORM GEAR PINION	1	36	RS20661120	LOCKWASHER F/KNIFE ARM PIN	1
19	RS20637801	DOUBLE KNOTTER WORM SHAFT ASY	1	37	RS331112051	NUT F/KNIFE ARM PIN	1
20	RS03451926	PIN F/TWINE HOLDER	1	38	RS03451926	PIN F/BILL HOOK CAM & SPRING	2

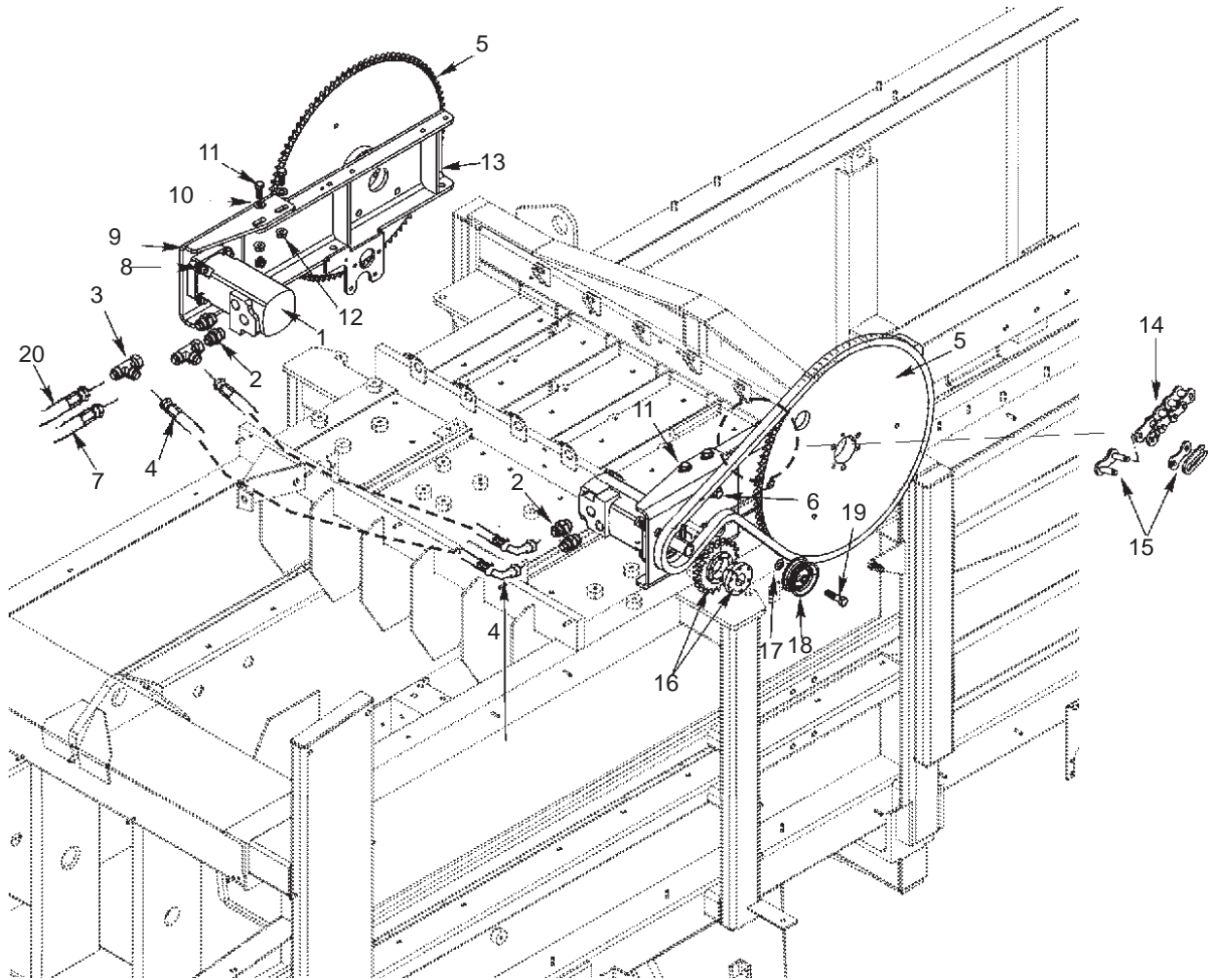




## KNOTTER LUBER ASSEMBLY

REF NO.	PART NO.	DESCRIPTION	QTY. USED
1	LUB0833116	LUBER ASSY, MANIFOLD, 6 HOLE	6
2	PPE1250300	1/8 X 3 STD BLK PIPE NIPPLE	4
3	209511	1/8 HEX HEAD STEEL PIPE PLUG	1
4	LUB0833111	LUBER ASSY, MANIFOLD, 1 HOLE	1
5	HYD3069021	1/8 NPT STL HEX NIPPLE	2
6	F000008312	1/4 SLEEVE F/F1441	1
7	F 0001441	1/4 X 1/8 90° ELBOW	1
8	NYL0001250	1/8 NYLAFLOW TUBING - TYPE LP	A/R
9	BKT0032981	BRKT,MTG;	1
10	F000008306	FERRULE F/AUTO LUBER FITTING	25
11	F000008288	FITTING, LUBE	25
12	F000008287	FITTING, LUBE	12
13	F000008290	3/16 X 7-1/4 CABLE TIE - BLACK	36
14	KNT0613103	KNOTTER HEAD ASSEMBLY -1592D	6
15	BRG0022548	KNOTTER SHAFT CENTER BRG	1
16	222259	CAPSCREW; 1/4 NC X 3/4 GR5 HX BLK	6
17	R13811443	WASHER, FLAT; 1/4 (.327 ID) ZY	6
18	235620	ESNA NUT NC 1/4"	6
19	LUB0083924	COMP NUT/SLEEVE F/ SL42 LUB833116	36

**KNOTTER DRIVE**

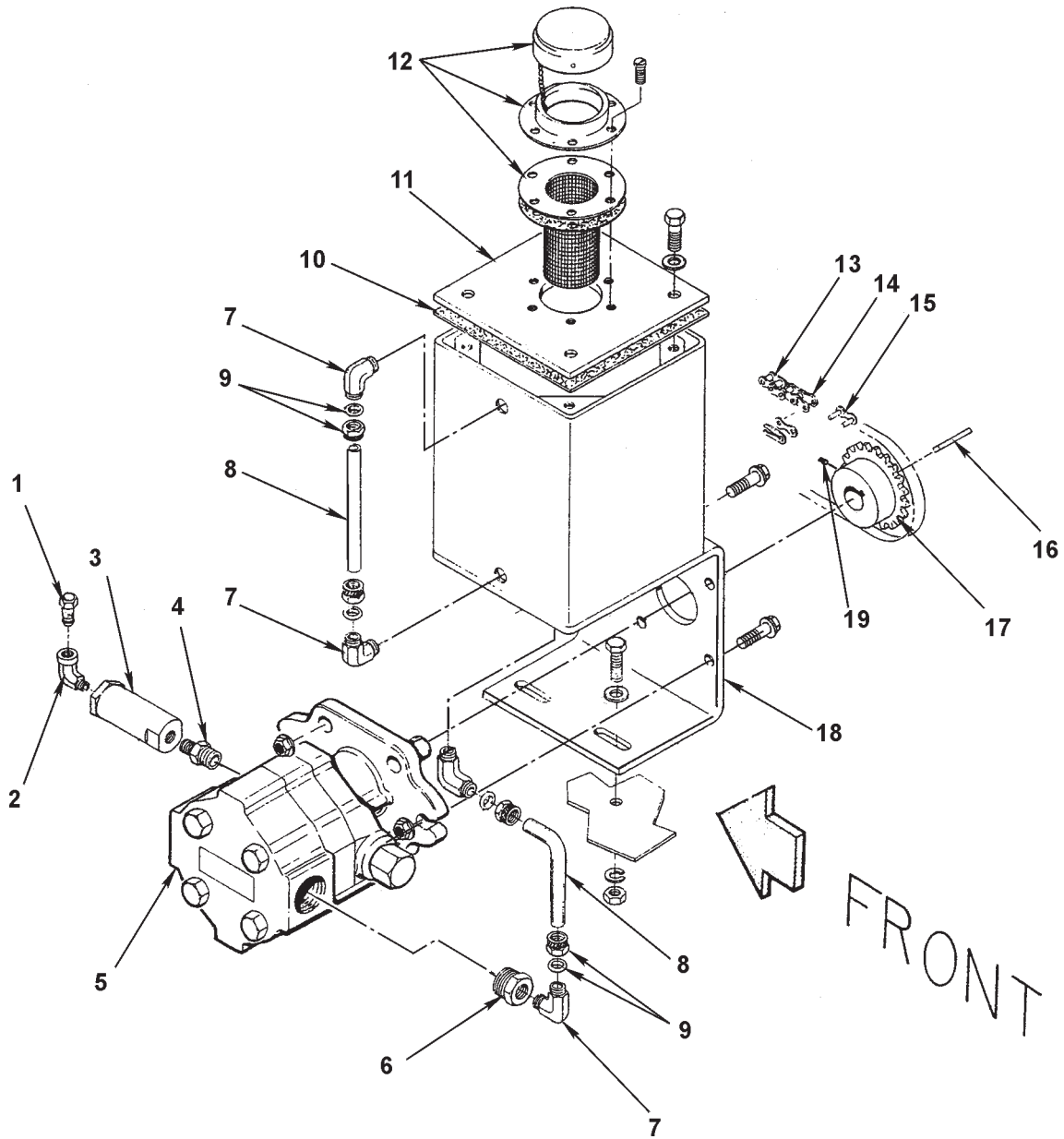


FRONT

## KNOTTER DRIVE

REF NO.	PART NO.	DESCRIPTION	QTY. USED
1	MTR1091102	HYDRAULIC MOTOR F/1592D	2
2	HYD5315060	3/4JIC X 3/4 O-RNG ST THD CONN	4
3	HYD5706060	3/4" JIC SWIVEL RUN TEE	2
4	HOS037017A	KNOTTER MOTOR SECONDARY HOSE	2
5	SPK0035580	DOUBLE KNOTTER SPROCKET	2
	BSH0021875	2-3/16" BUSHING	2
	SCC0030006	HEX HD CS NC 3/8 X 2	3
	RS20661130	DOUBLE KNOTTER KEY	2
6	SCC0050007	1/2-13 X 2-1/4 CAP SCREW-PLATED	2
7	HOS037569A	KNOTTER RETURN HOSE	1
8	SCC0050007	1/2-13 X 2-1/4 CAP SCREW-PLATED	8
	WCT0000500	FLAT WASHER 1/2 USS -PLATED	16
	NCE0000500	ESNA NUT NC 1/2" - PLATED	8
9	MNT036422D	RIGHT KNOTTER MOTOR MOUNT	1
	MNT036421D	LEFT KNOTTER MOTOR MOUNT	1
10	WCT0000500	FLAT WASHER 1/2 USS -PLATED	4
11	SCC0050003	HEX HEAD CAP SCREW 1/2-13 X 1-1/4	4
12	NMS0000252	WHIZ NUT NC 1/2 - PLATED	6
13	MNT036413D	RIGHT DOUBLE KNOTTER MNT	1
	MNT036412D	LEFT DOUBLE KNOTTER MNT	1
14	CHN0060125	DOUBLE KNOTTER DRIVE CHAIN	2
15	F000000760	CONNECTING LINK	2
16	SPK60SDS21	MOTOR DRIVE SPROCKET W/ BSH	2
17	SPC036451A	KNOTTER DRIVE IDLER SPACER	2
18	F000000883	IDLER PULLEY F/KNOT CHAIN DRIV	2
19	SCC0050014	HEX HD CS 1/2-13 X 4"GRD 5	2
	NMS0000252	WHIZ NUT NC 1/2 - PLATED	2
20	HOS037354A	KNOTTER SLOWDOWN KIT HOSE	1

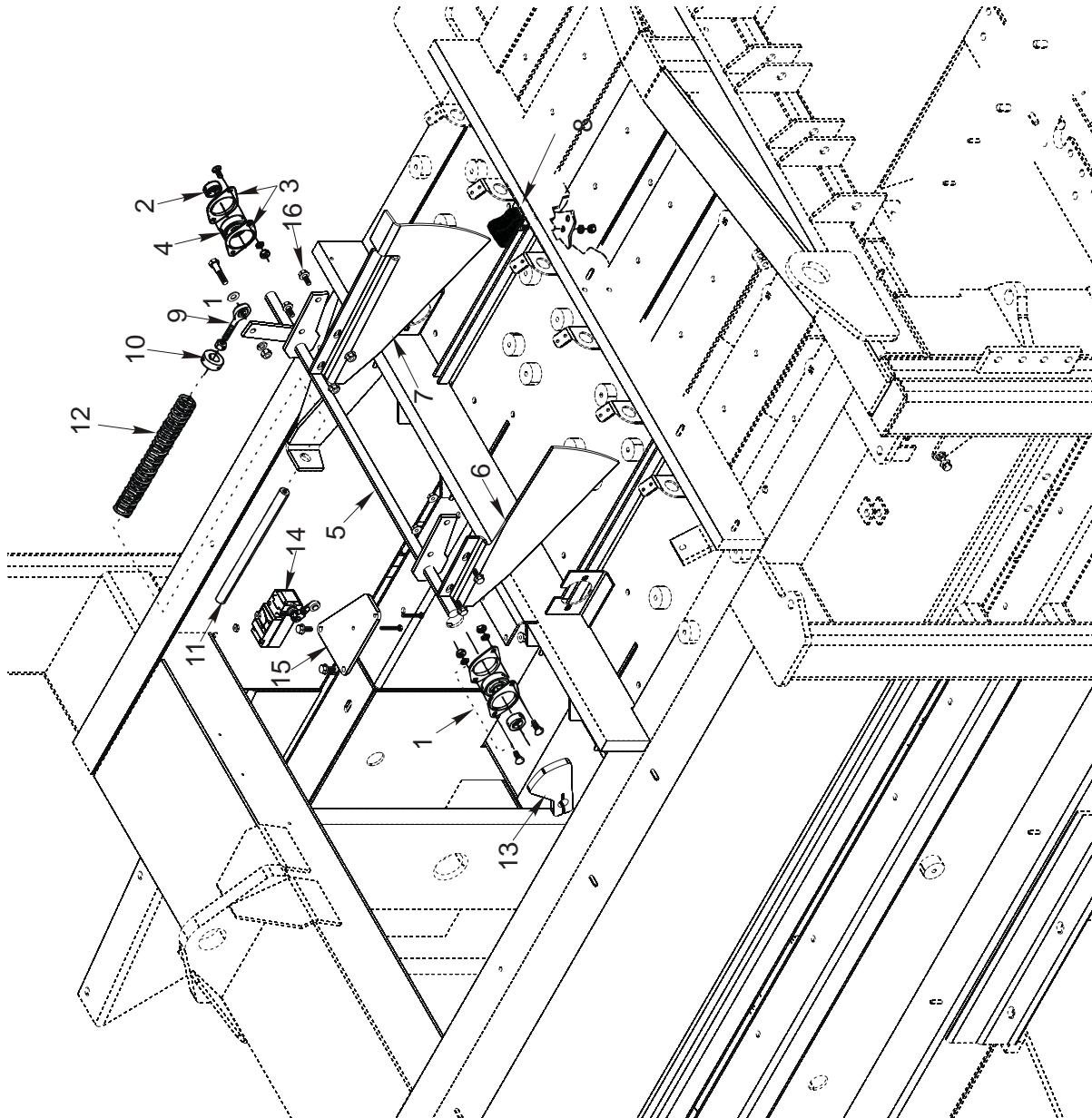
**LUBER PUMP & TANK ASSEMBLY**



## LUBER PUMP & TANK ASSEMBLY

REF NO.	PART NO.	DESCRIPTION	QTY. USED	REF NO.	PART NO.	DESCRIPTION	QTY. USED
1	F 0008312	1/4 SLEEVE F/F1441	1	12	FIL0010003	FILTER CAP COMPLETE W/SCREEN	1
2	F 0001441	1/4 X 1/8 90° ELBOW	1		SCC0020003	5/16 X 1-1/4 NC HT CS - PLATED	4
3	FIL0009052	1/4 IN-LINE FILTER	1		WAS0725002	WAHER 5/16 X 11/16 OD.	4
4	HYD3069032	NIPPLE 1/4X3/8 NPT HEX	1	13	FT 0000165	PUMP DRIVE CHAIN-	1
5	PMP0000003	AUTO LUBER PUMP	1		SMR1032500	10-32X1/2 RH MACH SCREW-PLT	6
	SEL0047311	SEAL KIT	1	14	FT 0000113	CONNECTING LINK -	1
	NMS0000117	5/16" NC WHIZ NUT - PLATED	4	15	FT 0000114	OFFSET LINK -	1
	SCC0020002	5/16 X 1 NC HT CS - PLATED	4	16	ZZ 0000403	1/8 X 1/8 X 1 KEY	1
6	PPE0500250	1/2" X 1/4" STD BLK HEX BUSH	1	17	F 0008201	LUBER/KNOTTER SPROCKET	1
7	F 0008209	3/8"X 1/4"90°BRASS MALE ELBOW	4	18	LUB0017169	LUBER TANK ONLY-1592	1
8	F 0008199	SITE GAUGE F/AUTO LUBER TANK	2		SCC0030002	3/8 X 1 NC HT CS - PLATED	2
9	IMP0026106	3/8 NUT & SLEEVE ASSEMBLY	4		WCT0000375	3/8" FLATWASHER - PLATED	2
	IMP0026006	3/8" PLASTIC SLEEVE ONLY	4		WLK0000375	3/8" MEDIUM LOCKWASHER - PLTD	2
10	F 0008198	GASKET F/AUTO LUBER TANK	1		NCH0000375	3/8" NC HEX NUT - PLATED	2
11	F 0008197	TANK COVER F/F-8196	1	19	STS2500250	1/4-20 X 1/4 SOC. SETSCREW	2

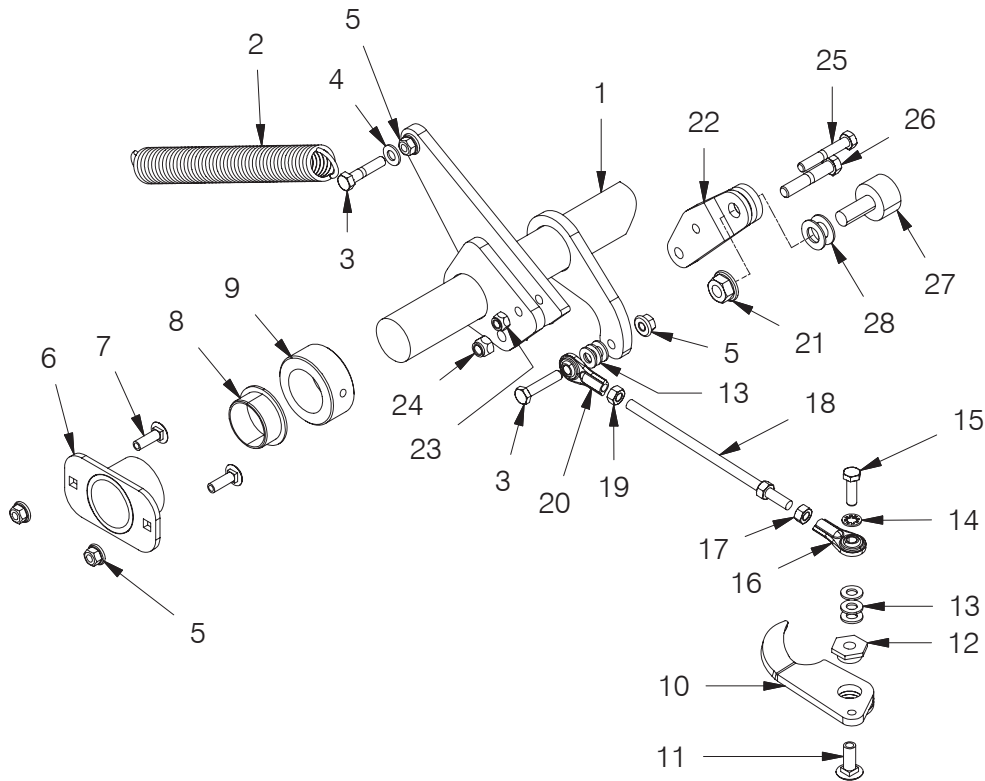
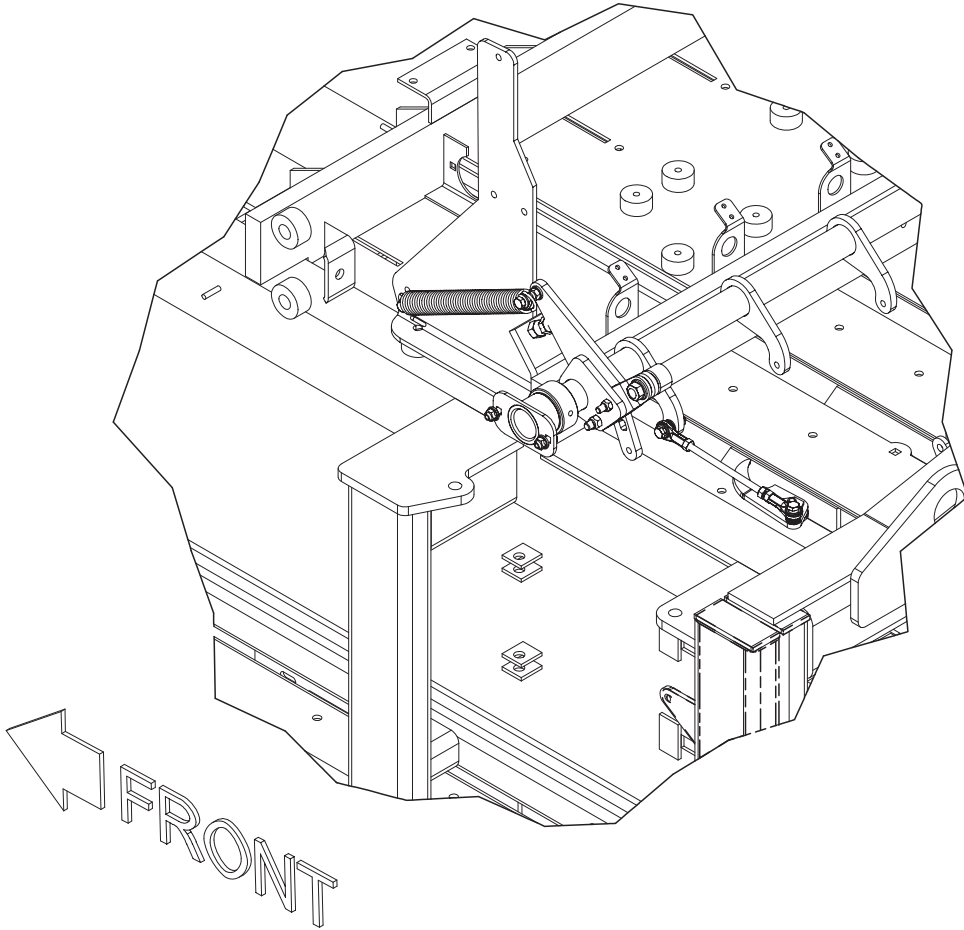
**FULL FEED SENSOR ASSEMBLY**



## FULL FEED SENSOR ASSEMBLY

REF NO.	PART NO.	DESCRIPTION	QTY. USED	REF NO.	PART NO.	DESCRIPTION	QTY. USED
1	F 0001618	METER WHEEL SHAFT BRG W/CLAMPS	2				
	WLK0000313	5/16" MEDIUM LOCKWASHER - PLTD	4	8	F 0008264	RUBBER BUMPER	1
	NCH0000313	5/16" NC HEX NUT - PLATED	4		WLK0000375	LOCKWASHER 3/8 MEDIUM PLTD	1
	CRB3130075	5/16X 3/4 CARRIAGE BOLT-PLTD	4		NFH0000375	3/8" NF HEX NUT - PLATED	1
2	F 0001890	LOCKING COLLAR (PART OF REF#4)	2	9	ROD0000600	ROD END L	1
3	F 0001889	FLANGETTE F/F1618 BEARING	4		SCC0030004	3/8 X 1-1/2 NC HT CS - PLATED	1
4	F 0001619	METER WHEEL SHAFT-BEARING ONLY	2		WCT0000375	3/8" FLATWASHER - PLATED	1
5	ARM0022540	FEED SENSOR ARM ASSEMBLY	1		WLK0000375	LOCKWASHER 3/8 MEDIUM PLTD	1
6	PDL0015668	LH FEED SENSOR PADDLE- 38"	1		NCH0000375	3/8" NC HEX NUT - PLATED	1
	PDL0027208	LH FEED SENSOR PADDLE -36" C/O	1		NFH0000375	3/8" NF HEX NUT - PLATED	1
	PDL035816E	LH FEED SENSOR PADDLE,34-1/2"	1	10	F 0000172	3/4"STEEL SET COLLAR	1
	WLK0000375	LOCKWASHER 3/8 MEDIUM PLTD	2	11	ROD0015671	FEED SENSOR GUIDE ROD	1
	NCH0000375	3/8" NC HEX NUT - PLATED	2	12	04-105	06-130,INDEX TRIP,RETURN	1
	SCC0030002	3/8 X 1 NC HT CS - PLATED	2	13	CAM0015917	CHARGE SWITCH CAM	1
7	PDL0017210	RH FEED SENSOR PADDLE-38"	1		SCC0030002	3/8 X 1 NC HT CS - PLATED	4
	PDL0027207	RH FEED SENSOR PADDLE -36" C/O	1		SCC0020005	5/16 X 1-3/4 NC HT CS - PLATED	1
	PDL035817E	RH FEED SENSOR PADDLE,34-1/2"	1		NCE0000313	5/16" NC ESNA NUT - PLATED	1
	WLK0000375	LOCKWASHER 3/8 MEDIUM PLTD	2	14	SWI0005079	LIMIT SWITCH -4 POST	1
	NCH0000375	3/8" NC HEX NUT - PLATED	2		SMR1032150	RND HD MS NF 10-32X1-1/2	2
	SCC0030002	3/8 X 1 NC HT CS - PLATED	2	15	MNT037268B	LS-3 LIMIT SWITCH MOUNT	1
				16	SCC0030002	HEX HEAD CAP SCREW 3/8-16 X 1"	4
					NMS0000376	WELD NUT NC 3/8	4

**TWINE FINGER DRIVE ASSEMBLY**



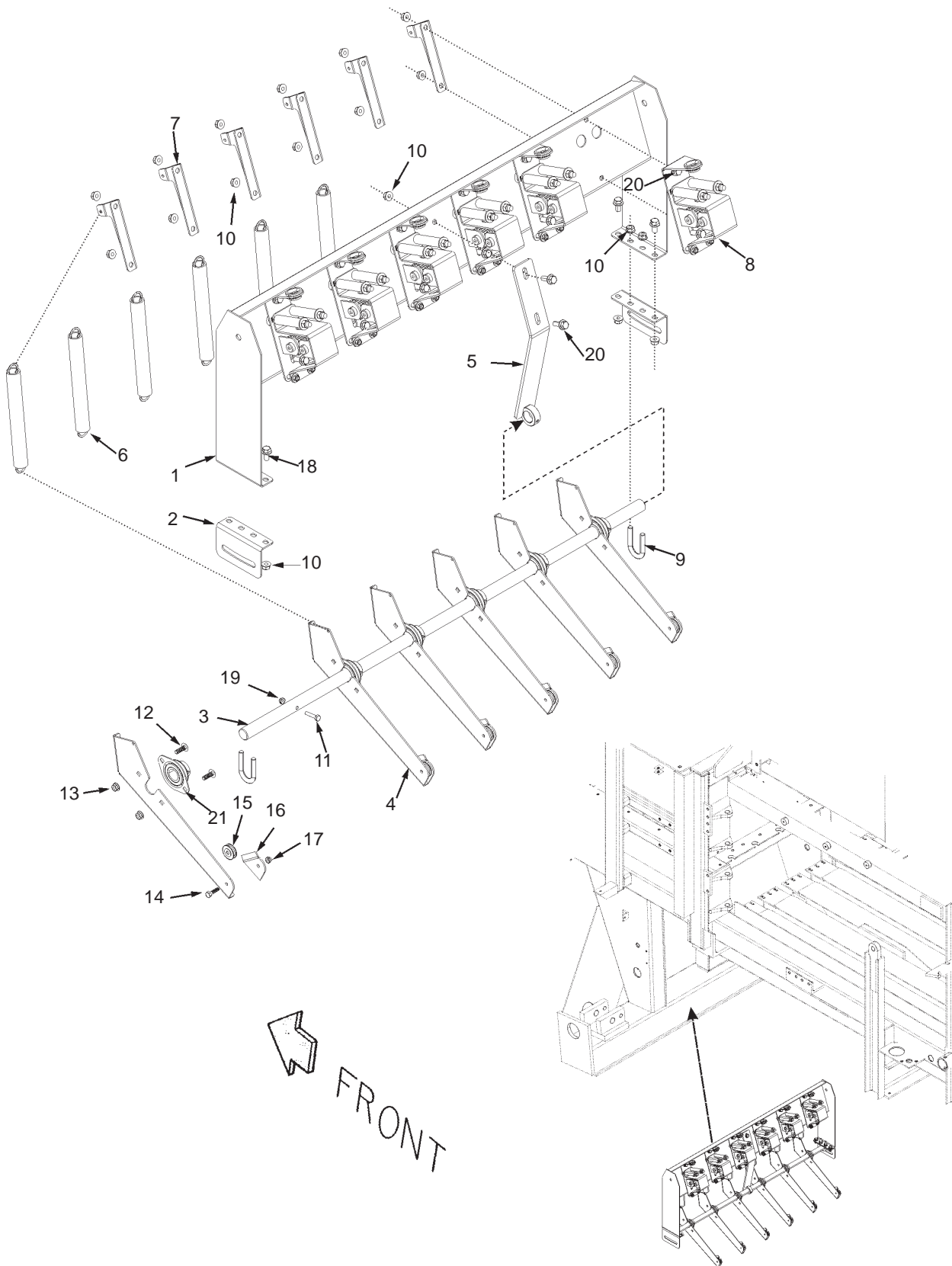
FRM036504E TF1



## TWINE FINGER DRIVE ASSEMBLY

REF NO.	PART NO.	DESCRIPTION	QTY. USED
1	SHF036372D	DRIVE SHAFT;*C; 1592D	1
2	F00001517	TRIP SPRING	1
3	R13811016	CAPSCREW; 5/16 NC X 1 1/2	7
4	223428	WASHER, FLAT; 5/16 ZC	1
5	00273802	NUT, SERRATED; 5/16 NC	4
6	MNT036396B	TWINE FINGER SHAFT BRG MNT	2
7	CRB3130100	CARRIAGE BOLT NC 5/16 X 1	4
8	BRG0000012	BEARING, TWINE FINGER SHAFT	2
9	ZZ00002004	SET COLLAR 1-1/2" STEEL	2
10	KNT037142B	DBL KNOT TWINE FINGER-MACHINED	6
11	CRB3750100	CARRIAGE BOLT 3/8-16 X 1 -PLATED	6
12	F000008144	TWINE FINGER BUSHING NUT	6
13	R13811444	WASHER, FLAT; 5/16 (.359 ID) ZY	AR
14	WIS0003125	INTERNAL STAR WASHER 5/16 PLTD	6
15	SFC0020002	HEX CAP SCREW 5/16 X 1 NF PLTD	6
16	BRG0001301	ROD END BRG 5/16 RH FEMALE	6
17	NFH0003125	HEX NUT NF 5/16	6
18	ROD037018B	TWINE FINGER DRIVE ROD	6
19	NFL0003125	LH JAM NUT NF 5/16 - PLATED	6
20	BRG0001300	ROD END BEARING 5/16 BORE, LH	6
21	NMS0005000	WHIZ NUT NF 1/2	6
22	900912	TWINE FINGER SHEAR LEVER	6
23	NCE0000313	ESNA NUT NC 5/16 - PLATED	6
24	NCE0000375	ESNA NUT NC 3/8 - PLATED	6
25	SCC0020003	HEX HEAD CS NC 5/16 X 1-1/4	1
26	SCC0030008	HEX HEAD CAP SCREW 3/8-16 X 2-1/2	1
27	BRGCRSBC20	1-1/4"STUD CAM FOLLOWER	1
28	WAS0000104	STRUCTURAL WASHER 1/2	2

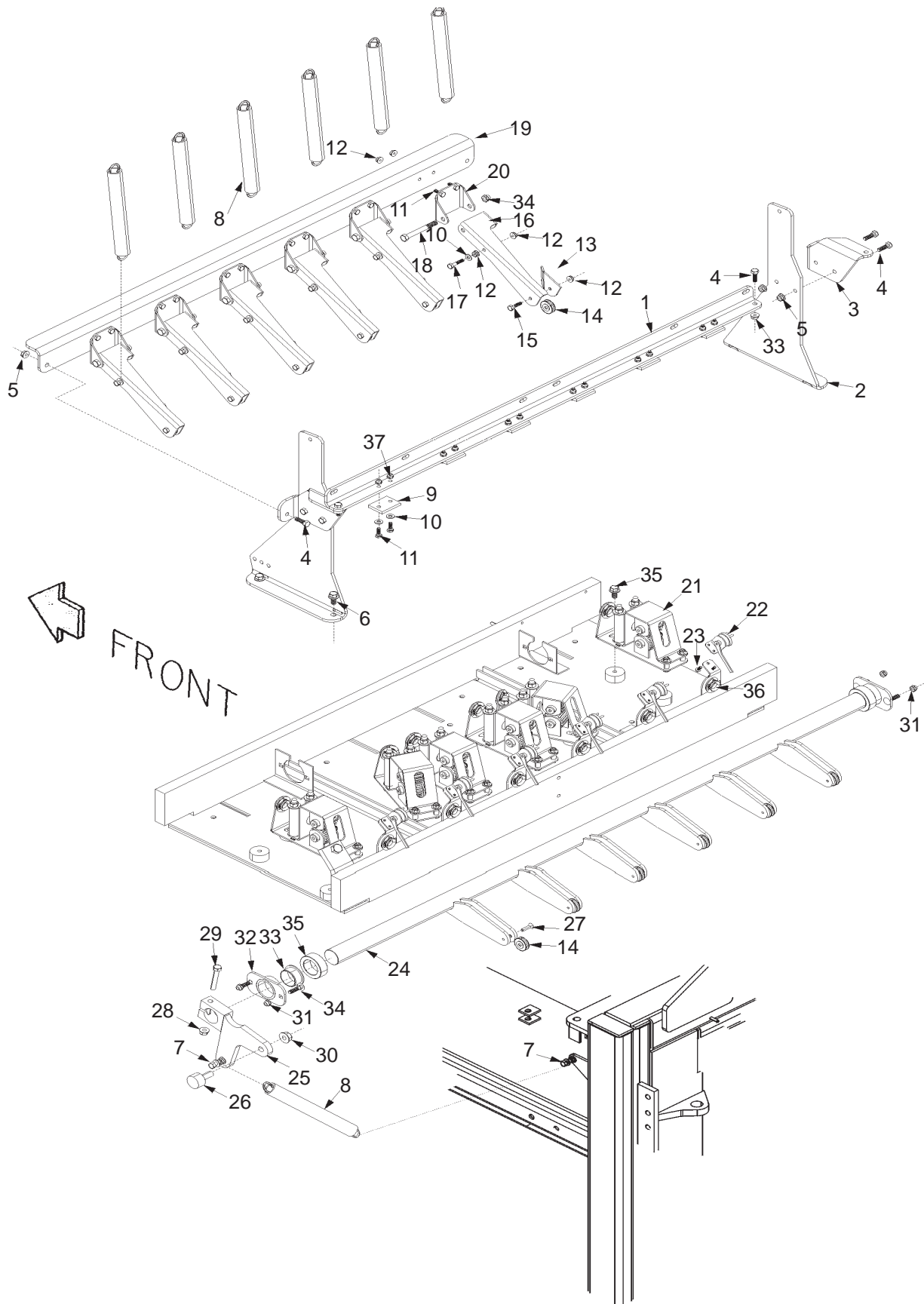
**TWINE TENSION ASSEMBLY (BOTTOM)**



## TWINE TENSION ASSEMBLY (BOTTOM)

REF NO.	PART NO.	DESCRIPTION	QTY. USED
1	MNT036444E	LOWER SLACK PULLER UPPER MNT	1
2	DRW036447D	LOWER SLACK PULLER MOUNT	2
3	SHF036448B	BOTTOM SLACK PULLER SHAFT	1
4	KNT037069D	BOTTOM SLACK PULLER	6
5	SUP036464B	BTM SLACK PULLER SHFT SUP BKT	1
6	F000001517	TRIP SPRING	6
7	MNT036449B	BTM SLACK PULLER SPRING MNT	6
8	TNS0035148	TWINE ROLLER TENSIONER ASSY	6
9	UBL1375225	U-BOLT 3/8-16	8
10	NMS0000375	WHIZ NUT NC 3/8 - PLATED	2
11	SCC0010005	HEX HD CS NC 1/4 X 1-3/4	6
12	CRB3130075	5/16X 3/4 CARRIAGE BOLT-PLTD	12
13	NMS0000117	5/16" NC WHIZ NUT - PLATED	12
14	SCC0010002	HEX HD CS 1/4-20 X 1	6
15	PUL0000001	PULLEY 1.25 OD X .25 BORE	6
16	KNT037070A	BOTTOM SLACK PULLER SIDE	6
17	NMS0000250	WHIZ NUT 1/4-20	6
18	SMS0000181	WHIZ BOLT 3/8 X 3/4 NC	4
19	NCE0000250	ESNA NUT NC 1/4"	6
20	174413W	SCREW, SER FLG 3/8-16 UNC X 1.00	2
21	BRG4164PP2	BEARING 1"BORE	6

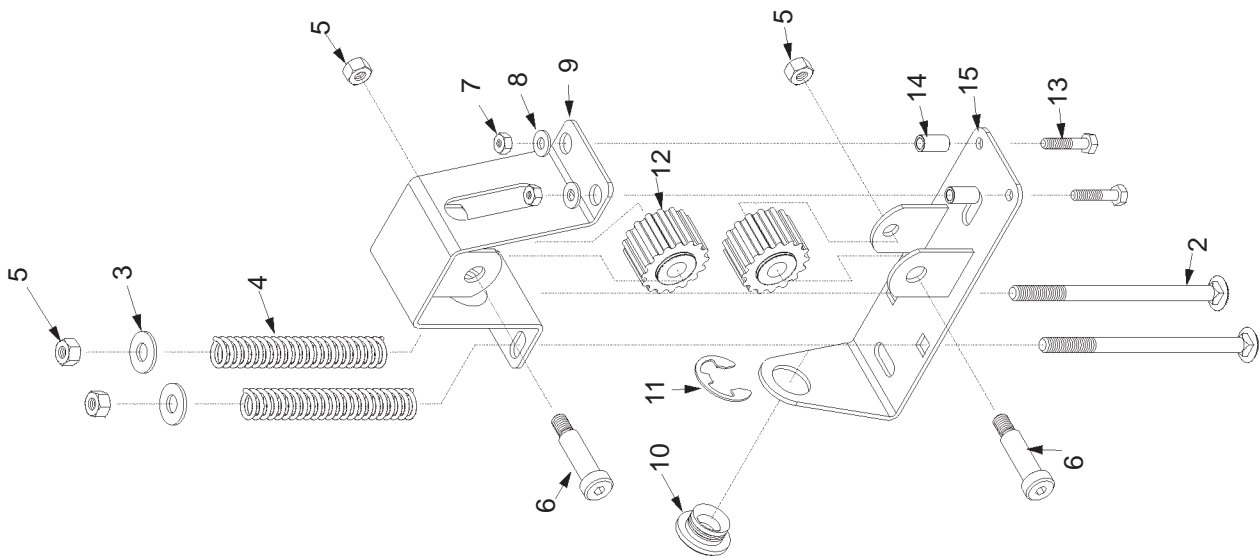
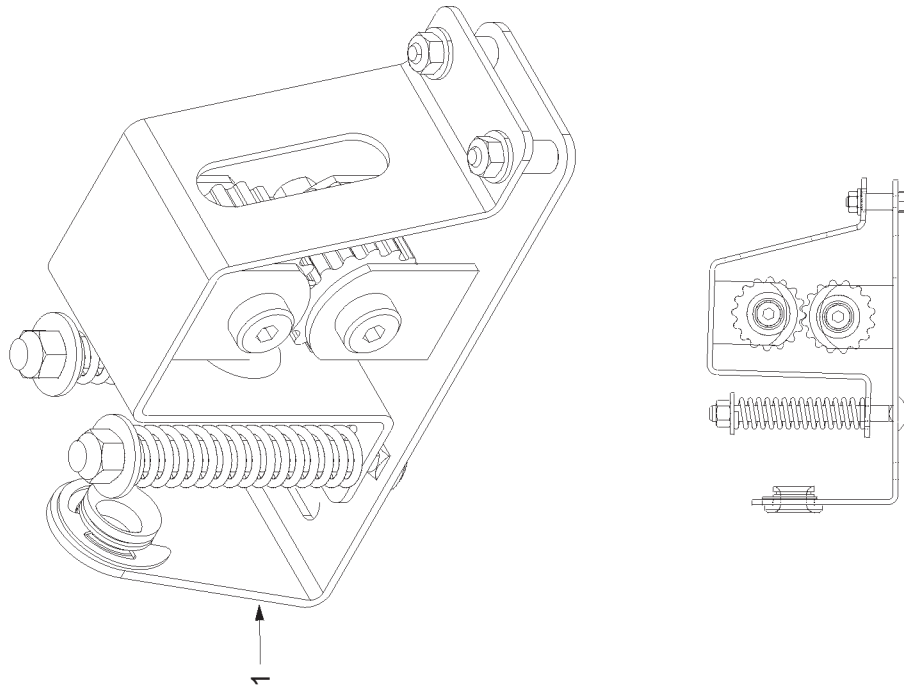
**TWINE TENSION ASSEMBLY (TOP)**



## TWINE TENSION ASSEMBLY (TOP)

REF NO.	PART NO.	DESCRIPTION	QTY. USED	REF NO.	PART NO.	DESCRIPTION	QTY. USED
1	BKT036749D	DOUBLE KNOTTER LUBER BRKT	1	21	TNS0035148	TWINE ROLLER TENSIONER ASSY	6
2	MNT036747D	RIGHT SLACK PULLER MOUNT	1	22	F00000946	WIRE ALARM SWITCH F/ELC21608	6
	MNT036746D	LEFT SLACK PULLER MOUNT-	1	23	SMR1032038	RND HD MS 10-32 X 3/8	12
3	MNT036745B	RIGHT LUBER MOUNT BRACKET	1	24	SHF036390D	TWINE TUCKER -	1
	MNT036744B	LEFT LUBER MOUNT BRACKET-	1	25	LEV036393B	TWINE TUCKER FOLLOWER LEVER	1
4	SCC0020002	HEX HEAD CAP SCREW 5/16-18 X 1	8	26	BRGCRSBC20	1-1/4"STUD CAM FOLLOWER	1
5	NMS0000117	WHIZ NUT 5/16-18	6	27	SCO0000102	FLAT HD SOC CS NC 1/4 X 1	6
6	SMS0000181	WHIZ BOLT 3/8 X 3/4 NC	4	28	NMS0000375	WHIZ NUT NC 3/8 - PLATED	1
7	SCC0020004	HEX HD CS NC 5/16 X 1-1/2	2	29	SCC0030008	HEX HEAD CAP SCREW 3/8-16 X 2-1/2	1
	WCT0000313	FLAT WASHER 5/16	4	30	NFH0000500	HEX NUT NF 1/2 - PLATED	1
	NMS0000117	WHIZ NUT 5/16-18	2	31	NCE0000313	ESNA NUT NC 5/16 - PLATED	4
8	F000001517	SPRING ( TWINE FINGER )	7	32	MNT036396B	TWNE FINGER SHAFT BRG MNT	2
9	PAD0025218	PAD W/ HOLES FOR	6	33	BRG0000012	BEARING, TWINE FINGER SHAFT	2
10	WCT0000250	FLAT WASHER 1/4	12	34	CRB3130100	CARRIAGE BOLT NC 5/16 X 1 -PLATED	4
11	SCC0010001	HEX CAP SCREW,1/4-20 X 3/4	24	35	ZZ00002004	SET COLLAR 1-1/2" STEEL	2
12	NMS0000250	WHIZ NUT 1/4-20 - PLATED	30	36	F000000856	TWINE & WIRE GUIDE BUSHING	6
13	KNT036432B	TOP SLACK PULLER SIDE	6		F000000857	SNAP RING F/TWN GUIDE BUSHING	6
14	PUL0000001	PULLEY 1.25 OD X .25 BORE	12	37	NCE0000250	ESNA NUT NC 1/4" - PLATED	12
15	SCC0010002	HEX HD CS 1/4-20 X 1	6				
16	KNT036431D	TOP SLACK PULLER	6				
17	SCC0010003	HEX CAP SCREW 1/4-20 X 1-1/4	6				
18	SCC0030013	HEX HD CS NC 3/8 X 3-3/4	6				
19	MNT036433E	TOP SLACK PULLER MOUNT	1				
20	BKT036434B	TOP SLACK PULLER BRACKET	6				

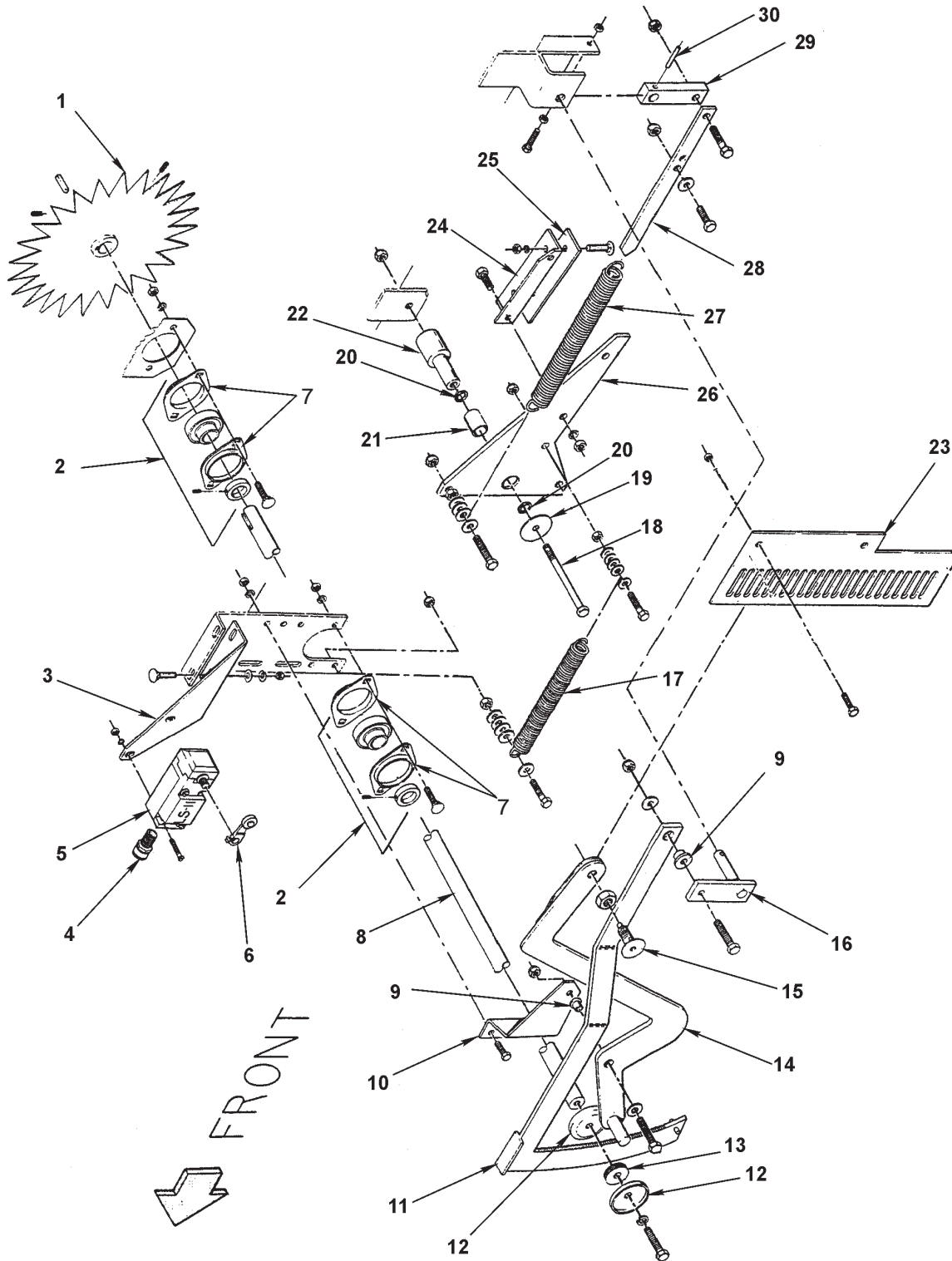
**TWINE TENSIONER ASSEMBLY**



## TWINE TENSIONER ASSEMBLY

REF NO.	PART NO.	DESCRIPTION	QTY. USED
1	TNS0035148	TWINE ROLLER TENSIONER ASSY	1
2	CRB3750400	CARRIAGE BOLT 3/8 X 4 NC	2
3	WCT0000375	FLAT WASHER 3/8 USS - PLATED	2
4	SPG0750350	COMPRESSION SPRING F/ 1600	2
5	NCE0000375	ESNA NUT 3/8-16 PLATED	4
6	SMS5001500	1/2" X 1-1/2" SHOULDER BOLT - ZP	2
7	NCH0000250	HEX NUT NC 1/4 - PLATED	2
8	WCT0000250	FLAT WASHER 1/4 - PLATED	2
9	FRM0035141	UPPER TWINE TENS FRAME ASSY	1
10	F000000856	TWINE & WIRE GUIDE BUSHING	2
11	F000000857	SNAP RING F/TWN GUIDE BUSHING	1
12	ROL0035138	TWINE TENSIONER ROLLER	2
13	SCC0010003	HEX CAP SCREW 1/4-20 X 1-1/4	2
14	SPC0035139	TWINE TENSIONER SPACER	2
15	FRM0035143	LOWER TWINE TENS FRAME ASY	1

**BALE LENGTH ADJUSTMENT MECHANISM ASSEMBLY**

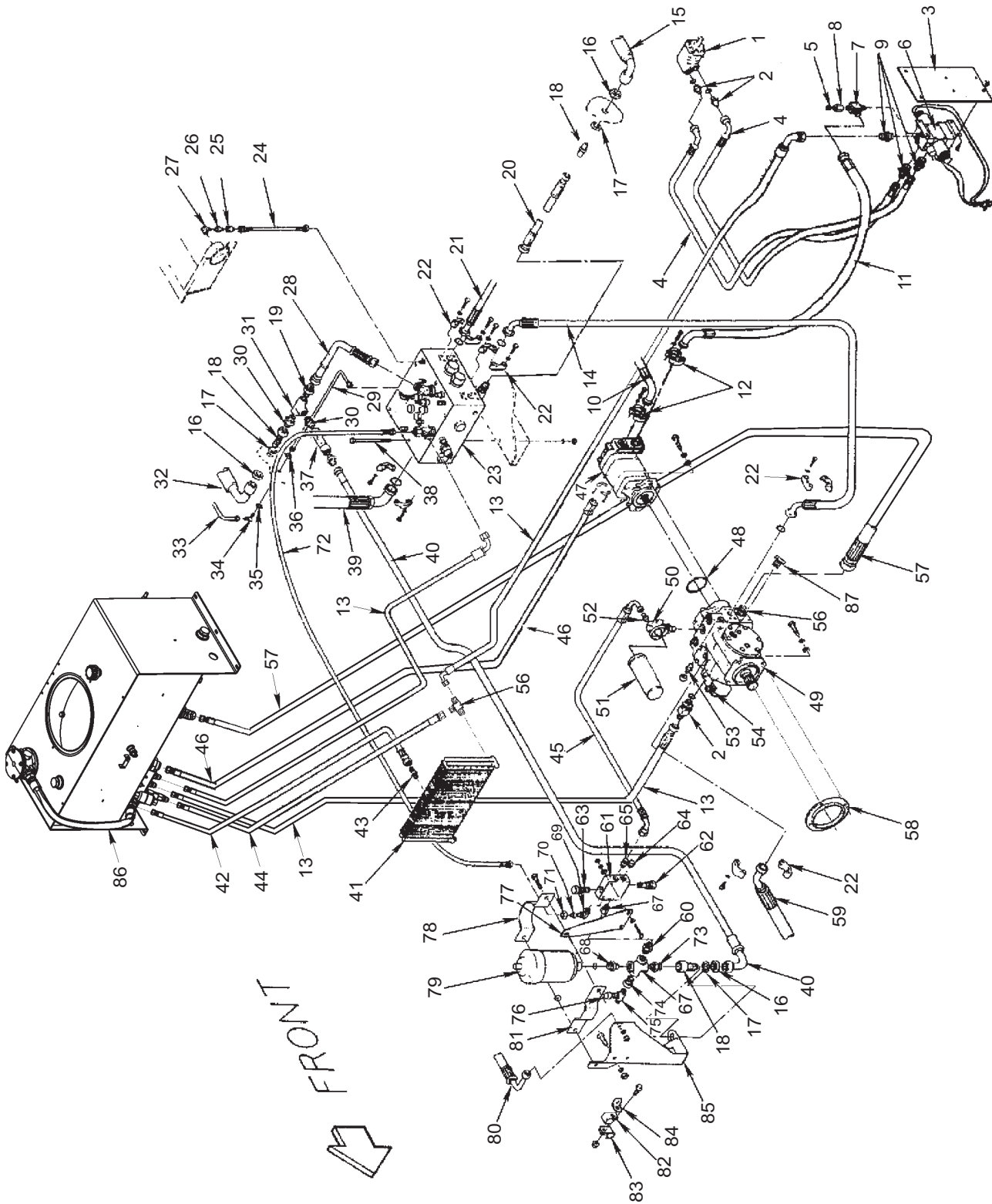




## BALE LENGTH ADJUSTMENT MECHANISM ASSEMBLY

REF NO.	PART NO.	DESCRIPTION	QTY. USED	REF NO.	PART NO.	DESCRIPTION	QTY. USED
1	KNT0024098	METER WHEEL ASSEMBLY	1	17	F 0000747	SQ. TIP RON RETURN SPRING	1
	ZZ 0000404	3/16 X 3/16 X 1-1/2 KEY	1		NCH0000313	NUT 5/16-18 HEX	2
	STS2500313	SETSCREW 1/4-20 X 5/16 SOC. HD	2		SCC0020004	BOLT 5/16-18 X 1-1/2 GRD 5 PLTD	2
2	F 0001618	BEARING-METER WHEEL SHAFT	2		WCT0000313	FLAT WASHER 5/16 PLTD	8
	NCH0000313	NUT 5/16-18 HEX	4		NCE0000313	NUT 5/16-18 ESNA LOCK	2
	WLK0000313	LOCKWASHER 5/16 MEDIUM PLTD	4	18	SCC0030015	BOLT 3/8-18 X 4-1/2 GRD 5 PLTD	1
	CRB7313100	CARRIG BOLT 5/16-18 X 1" GRD 5 PLTD	4	19	F 0000246	KNOTTER BRAKE DISC WASHER	1
3	BKT0024068	BRACKET-KNOTTER TRIP SWITCH	1	20	F 0007587	ANCHOR SEAL	2
	CRB7313100	CARRIG BOLT 5/16-18 X 1" GRD 5 PLTD	2	21	F 0007586	BUSHING	1
	NCH0000313	NUT 5/16-18 HEX	2	22	SLV0015542	KNOTTER TRIP PIVOT BOLT SLEEVE	1
	WLK0000313	LOCKWASHER 5/16 MEDIUM PLTD	2		NCE0000375	NUT 3/8-18 ESNA LOCK PLTD	1
	WCT0000313	FLAT WASHER 5/16 PLTD	2	23	PLT0022880	ADJUSTMENT PIN PLATE	1
4	CNR0000195	1/2 NPT CORD STRAIN RELIEF	1		SCC0020002	BOLT 5/16-18 X 1" GRD 5 PLTD	2
5	SWI0005081	LIMIT SWITCH 8 POSITION	1		NMS0000117	NUT 5/16-18 FLG WHIZ	2
	NFH0001032	HEX NUT 10-32NF PLTD	2	24	MNT037071B	KNOTTER TRIP WEAR LINER MNT	1
	SMR1032150	MACH. SCR 10-32 X 1-1/2 RND HD PLTD	2	25	LIN0017159	RESET LEVER WEAR LINER	1
	WLK0000100	LOCKWASHER #10 PLTD	2		CRB7313100	CARRIG BOLT 5/16-18 X 1" GRD 5 PLTD	2
6	ARM0005001	1-1/2 LEVER ARM W/3/4 ROLLER	1		NCH0000313	NUT 5/16-18 HEX	2
7	F 0001889	FLANGETTE BEARING	4		WLK0000313	LOCKWASHER 5/16 MEDIUM PLTD	2
8	SHF0015527	SHAFT-METER WHEEL	1	26	LEV0015533	KNOTTER TRIP RESET LEVER	1
9	F 0000440	FERRULE	2		WLK0000375	LOCKWASHER 3/8 MEDIUM PLTD	2
	NCE0000375	NUT 3/8-18 ESNA LOCK PLTD	2		NCH0000375	NUT 3/8-18 HEX PLTD	3
	SCC0030003	BOLT 3/8-18 X 1-1/4 GRD 5 PLTD	2		SCC0030002	BOLT 3/8-18 X 1" GRD 5 PLTD	2
	WCT0000375	FLAT WASHER 3/8 PLTD	2		SCC0030004	BOLT 3/8-18 X 1-1/2 GRD 5 PLTD	2
10	MNT0022342	ADJUSTMENT BAR MOUNT	1		NCE0000375	NUT 3/8-18 ESNA LOCK PLTD	1
	SCC0020002	BOLT 5/16-18 X 1" GRD 5 PLTD	2		WCT0000375	FLAT WASHER 3/8 PLTD	5
	NCH0000313	NUT 5/16-18 HEX	2	27	F 0001517	TRIP SPRING	1
	WLK0000313	LOCKWASHER 5/16 MEDIUM PLTD	2	28	LNK0015541	KNOTTER TRIP SPRING LINK	1
11	KNT0031232	KNOTTER TRIP METER BAR	1		SCC0030002	BOLT 3/8-18 X 1" GRD 5 PLTD	1
12	F 0008023	GUIDE WASHER	2		NCE0000375	NUT 3/8-18 ESNA LOCK PLTD	1
13	KNT0020500	KNOTTER TRIP FRICTION DISC	1		WCT0000375	FLAT WASHER 3/8 PLTD	1
	WLK0000375	LOCKWASHER 3/8 MEDIUM PLTD	1	29	LEV0015537	KNOTTER TRIP SPRING LEVER	1
	SCC0030005	BOLT 3/8-18 X 1-3/4 GRD 5 PLTD	1		NMS00000250	LOCK NUT 1/4-20 FLG WHIZ	2
14	BAR0025880	KNOTTER TRIP ADJ. BAR ASSY	1		SCC0010004	BOLT 1/4-20 X 1-12/ FULL THD GRD 5	1
15	PIN00FHR44	PLUNGER SPRING PIN	1		SCC0030003	BOLT 3/8-18 X 1-1/4 GRD 5 PLTD	1
	NCJ0000500	JAM NUT 1/2-13 PLTD	1		NCE0000375	NUT 3/8-18 ESNA LOCK PLTD	1
16	LEV0015534	KNOTTER TRIP METER BAR LEVER	1	30	ZZ 0000726	EXPANSION PIN 3/16 X 1	1

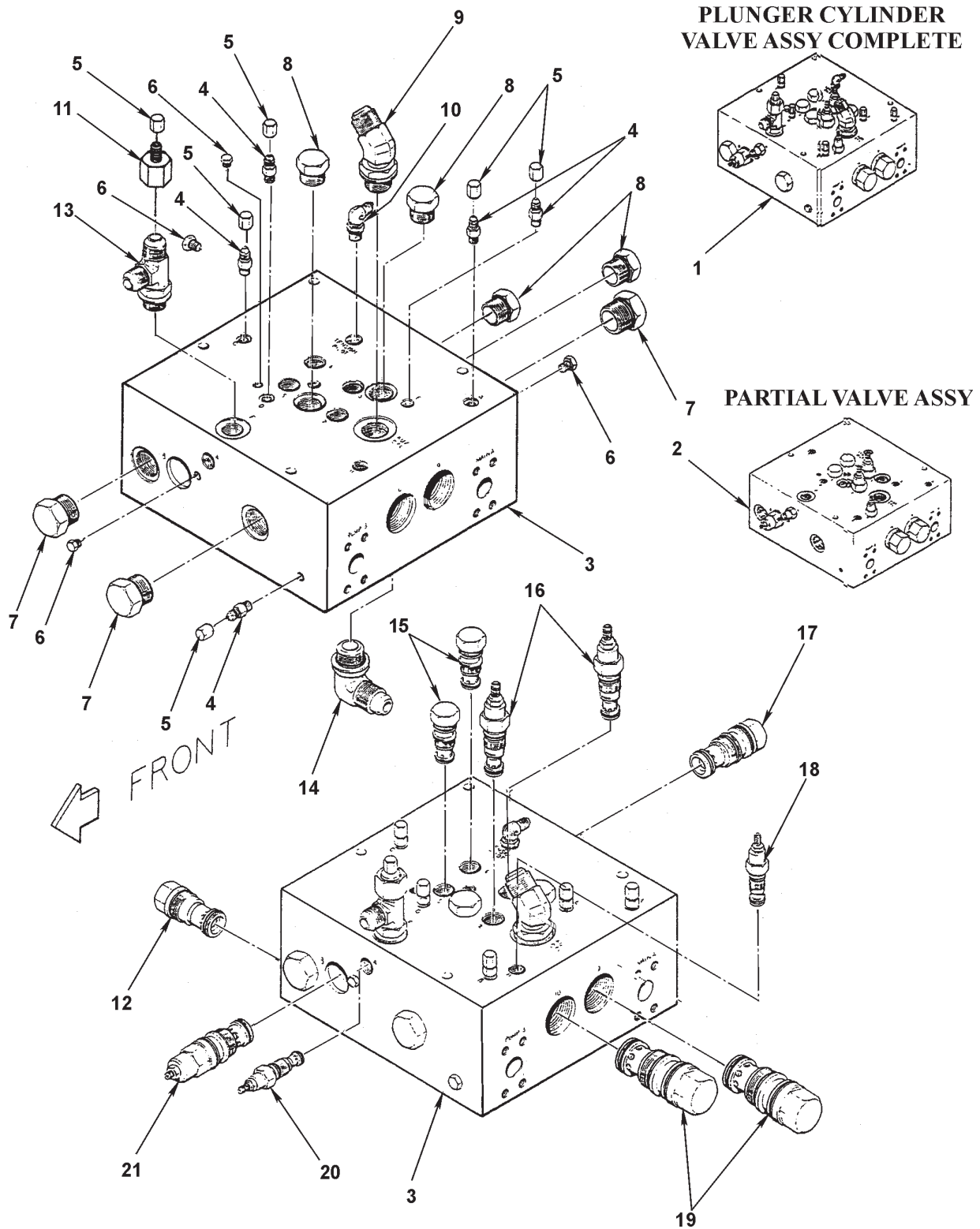
**MAIN SYSTEM HYDRAULICS ASSEMBLY**



## MAIN SYSTEM HYDRAULICS ASSEMBLY

REF NO.	PART NO.	DESCRIPTION	QTY. USED	REF NO.	PART NO.	DESCRIPTION	QTY. USED
1	MTR1091104	MOTOR 40000 HP	1	46	HOS0035162	HOSE- PUMP SUCTION	1
	SEL0061236	FRONT SEAL KIT	A/R	47	PMP3301972	DUAL PUMP, MAIN	1
	SEL0061234	REAR SEAL KIT	A/R		SEL0600652	SEAL KIT	A/R
2	209215	CONN. 3/4 JIC X 3/4 O-RING STR THD	2	48	RNG0000045	O-RING- MECHANICAL DRIVE PUMP	1
3	MNT0505622	MOUNT-SOLENOID VALVE	1	49	PMP0000090	PUMP-SERIES 90	1
4	HOS036689A	FEEDER VLV TO FEEDER MOTOR HOSE	1	50	FIL8800200	FILTER MANIFOLD	1
5	212097	1/4" JIC CAP	1	51	FIL0164056	FILTER FOR PUMP	1
6	VLV0000062	SOLENOID VALVE 4 WAY 3 POS 12VDC	1	52	HYD5315043	CONN. 1/2 JIC X 3/8 O-RING STR THD	1
	VLV0000034	RELIEF VLV CART,53GPM,6000 PSI	1	53	HYD5315023	CONN. 1/4 JIC X 3/8 O-RING STR THD	1
	VLV0000035	VALVE SUBPLATE,	1	54	PMP1111002	PUMP CONTROLLER	1
7	HYD5706060	3/4" JIC SWIVEL RUN TEE	1	55	HYD5716060	RUN TEE 3/4 JIC X 3/4 MALE	2
8	14151	3/4 TO 1/4 JIC TUBE REDUCER	1	56	HYD5315121	CONN. 1-1/2 JIC X 1-1/4 O-RING	1
9	209215	3/4 JIC X 3/4 O-RNG ST THD CONN	4	57	HOS0023488	HOSE-PUMP SUCTION	1
10	HOS0032166	FEEDER MANIFOLD PRESSURE HOSE	1	58	DPT0018751	PUMP PILOT ADAPTER	1
11	HOS0032167	HOSE PMP-FDR VLV PRESSURE PORT	1	59	HOS0015874	HOSE-PLUNGER CYLINDER	1
12	FLG0001501	FLANGE KIT	2	60	17951	NIPPLE 3/4 X 1/2 NPT STEEL HEX	1
13	229543	HOSE-RETURN FEEDER VALVE	1	61	VLV1312YCF	DUMP VALVE	1
14	HOS0024980	HOSE-PRESSURE RETRACE	1	62	VLVCFAXCN	RELIEF VALVE	1
15	HOS0023451	HOSE-LH MAKE UP CYLINDER BASE	1	63	VLVCOFAXAN	RELIEF VALVE	1
16	HYD5924080	BULKHEAD NUT 1"	3	64	229345	PLUG 1/2 O-RING HEX HD PLTD	1
17	WIS0012500	WASHER 1-5/16 INTERNAL STAR PLTD	3	65	209805	CONN. 1/2 JIC X 1/2 O-RING STR THD	1
18	HYD5275080	CONN. 1" JIC X 1"NPT FML BULKHEAD	3	66	HYD3959060	CROSS 3/4 STEEL PIPE	1
19	HYD5205070	CONN.1" JIC X 1"NPT MALE	3	67	HYD3269044	ADAPTER 1/2 O-RING X 1/2 NPT FMLE	1
20	212435	HOSE-LEFT MAKE UP CYLINDER 54"	1	68	HYD3249060	ADAPTER 3/4 O-RING X 3/4 NPT MLE	1
21	HOS0024887	HOSE-PLUNGER CYLINDER	1	69	209488	ELBOW 1/2 JIC X 1/2 O-RING 90 DEG.	1
22	FLG0001501	1" SPLIT FLG W/O RING & BOLT KIT	5	70	218584	REDUCER 1/2 JIC X 1/4 JIC	1
23	VLV0013120	PLUNGER CYL. VALVE ASSY COMP.	1	71	212763	NUT3/8 JIC	1
24	238226	HOSE-CONTR. VLV TO 10 PRES GAUGE	1	72	HOS0022137	HOSE-CONTRL VALVE TO DUMP VALVE	1
25	HYD5255022	CONN. 1/4 JIC X 1/4 NPT FMLE	1	73	21205	NIPPLE 1 NPT X 3/4 NPT STEEL HEX	1
26	HYD0010000	PULSATION DAMPENER F/23350	1	74	209506	BUSHING 3/4 NPT X 1/2 NPT STEEL	1
27	HYD3409020	STREET ELBOW 1/4 X 90 DEG.	1	75	HYD5755444	RUN TEE 1/2 JIC X 1/2 NPT MALE	1
28	HOS0024973	HOSE-PLUNGER VALVE	1	76	215515	CAP 1/2 JIC	1
29	TBE0024975	TUBE-PLUNGER VLV-BULKHEAD	1	77	BKT0024954	ACCUM. DUMP VALVE BRACKET	1
30	HYD3069070	BUSHING 1" NPT HEX STEEL	2	78	CLP0022217	ACCUMULATOR CLIP 1/2 GREER	1
31	HYD3709070	PIPE TEE 1" FEMALE STEEL	1	79	ACM0800087	ACCUMULATOR 1 GAL CHARGED	1
32	HOS0023451	HOSE-RIGHT MAKE UP CYLINDER	1	80	HOS0016624	HOSE-VALVE MANIFOLD PILOT	1
33	TBE0023719	TUBE-FRONT TENSION PILOT	1	81	CLP0022216	ACCUMULATOR CLIP 1/2 GREER	1
34	HYD5525030	ELB 3/8" JIC X 90 DEG. BLKHD UNION	1	82	CLP7701164	1-1/4 INSULATED HOSE CLAMP	1
35	WIS0005625	WASHER 9/16 INTERNAL STAR PLTD	1	83	CLP7701163	1" INSULATED HOSE CLAMP	1
36	HYD5924030	BULKHEAD NUT 3/8	1	84	BKT0023472	HOSE SUPPORT BRCKT TENS CONTRL.	1
37	VLV0000453	CHECK VALVE	1	85	MNT0015856	ACCUMULATOR MOUNT	1
38	SCC0030020	BOLT 3/8 NE X 7 GRD 5 HEX PLTD	4	86	241590	HOSE ASSY	1
39	HOS0024889	HOSE-PLUNGER CYLINDER ROD END	1	87	209089	3/4 JIC PLUG	1
40	HOS0023460	HOSE-ACCUMULATOR DISCHARGE	1				
41	CLR21133S1	OIL COOLER	1				
42	HOS0023435	HOSE-FEED KNOTTER MNFLD RETURN	1				
43	F 0006675	CONN. 3/4" JIC X 1" NPT MALE	2				
44	HOS036693A	HOSE-OIL COOLER BYPASS	1				
45	HOS0020543	HYDRAULIC HOSE	1				

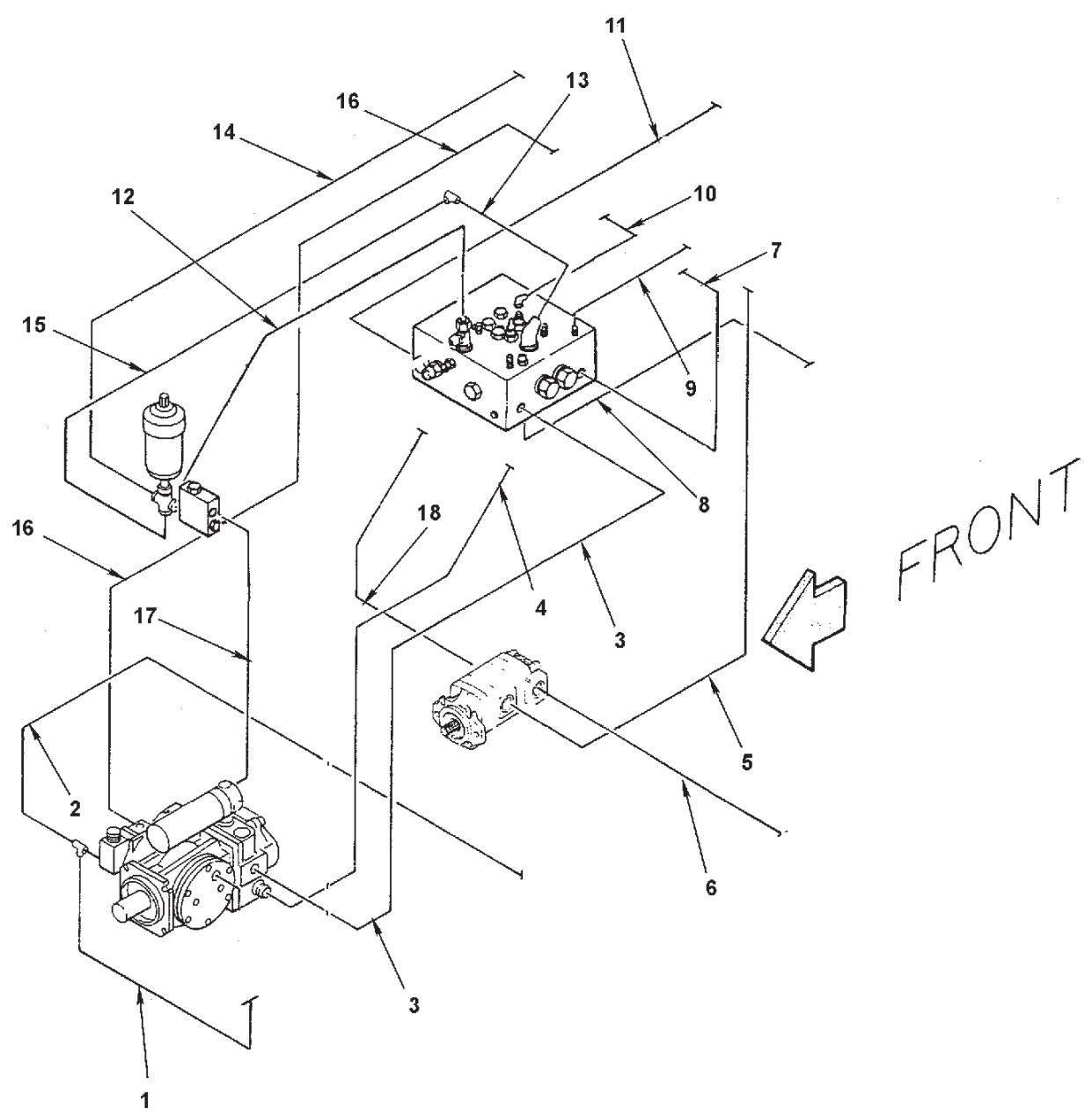
**PLUNGER CYLINDER VALVE ASSEMBLY**



## PLUNGER CYLINDER VALVE ASSEMBLY

REF NO.	PART NO.	DESCRIPTION	QTY. USED
1	VLV0013120	PLUNGER CYL. VALVE ASSY COMP.	1
	KIT0013120	SEAL KIT-PLUNGER CYL. VALVE	1
2	VLV0028071	PLUNGER CYL. VALVE W/O FITTINGS	1
3	VLV1312000	PLUNGER CYL. VALVE BODY	1
4	209083	CONN. 6M O-RING X 4M JIC STR	5
5	HYD5129020	CAP 1/4 JIC	6
6	HYD7237020	PLUG 6M	5
7	HYD7237080	PLUG 16M	3
8	HYD7237060	PLUG 12M	4
9	HYD5365080	ELBOW 16M O-RING X 16M JIC 45 DEG.	1
10	HYD5515030	ELBOW 6M JIC X 6M ADJ. 90 DEG.	1
11	HYD5105062	CONN. 12F JIC X 4M JIC STR	1
12	VLVCXHAXCV	CHECK VALVE CARTRIDGE	1
	SEL0002006	SEAL KIT-CHECK VALVE CARTRIDGE	1
13	HYD5716060	TEE 12 JIC X 12M ADJ. STR THD	1
14	HYD5515070	ELBOW 16M X 16M JIC 90 DEG.	1
15	VLVLKFCXDV	SUN LOGIC CARTRIDGE #5	2
	SEL0002006	SEAL KIT-SUN LOGIC CARTRIDGE	2
16	VLVRPGCLCV	RELIEF VALVE CARTRIDGE	2
	SEL0003006	SEAL KIT-RELIEF VALVE CARTRIDGE	2
17	VLVCOHBXFV	PILOT CLOSE CHECK CARTRIDGE	1
	SEL0017006	SEAL KIT-PILOT CLOSE CHECK CART.	1
18	VLVNCCBLV	NEEDLE VALVE CARTRIDGE	1
	SEL0010006	SEAL KIT-NEEDLE VALVE CARTRIDGE	1
19	VLVLKJCXDV	LOGIC VALVE CARTRIDGE	2
	SEL0019006	SEAL KIT-LOGIC VALVE CARTRIDGE	2
20	VLVRPECLQV	RELIEF VALVE CARTRIDGE	1
	SEL0010006	SEAL KIT-RELIEF VALVE CARTRIDGE	1
21	VLVCBGYLHV	COUNTERBALANCE VALVE	1
	SEL0017006	SEAL KIT-COUNTERBALANCE VALVE	1

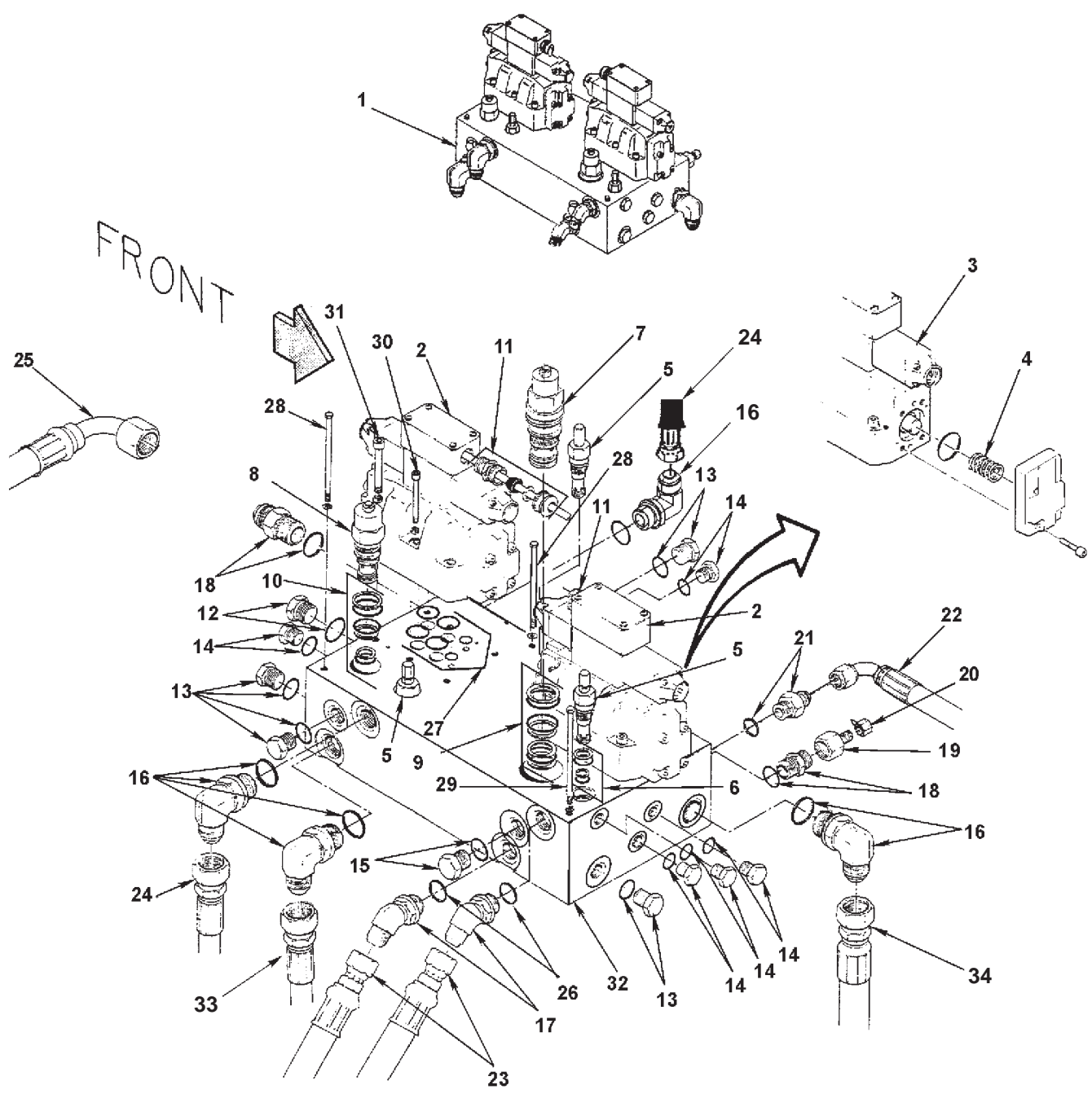
**MAIN SYSTEM HOSE ASSEMBLIES**



## MAIN SYSTEM HOSE ASSEMBLIES

REF NO.	PART NO.	DESCRIPTION	QTY. USED
1	HOS036693A	OIL COOLER BYPASS HOSE	1
2	HOS0025040	HOSE-PUMP CASE DRAIN-CK & RLF	2
3	HOS0024980	HOSE-PRESSURE RETRACE	1
4	HOS0023488	HOSE-PUMP SUCTION	1
5	HOS0032166	FEEDER MANIFOLD PRESSURE HOSE	1
6	HOS0032167	PUMP-FEEDER VALVE PRES PORT	1
7	HOS0024887	HOSE-PLUNGER CYLINDER	1
8	HOS0024984	HOSE-LEFT MAKE UP CYLINDER 54"	1
9	HOS0028188	HOSE-CONT. VAL TO 10M PRESS. GAG	1
10	TBE0024975	TUBE-PLUNGER VALVE PILOT	1
11	HOS0024889	HOSE-PLUNGER CYLINDER ROD END	1
12	HOS0022137	HOSE-10M PRESSURE GAUGE	1
13	HOS0024973	HOSE PLUNGER VALVE BULKHEAD	1
14	HOS0016624	HOSE-VALVE MANIFOLD PILOT	1
15	HOS0023460	HOSE-ACCUMULATOR DISCHARGE	1
16	HOS0015874	HOSE-PLUNGER CYLINDER	1
17	HOS0020543	HOSE-ACCUMULATOR CHARGE	1
18	HOS0035162	COMMERCIAL PUMP SUCTION HOSE	1

**KNOTTER AND FEED FORK MANIFOLD VALVE/HOSE ASSEMBLIES**

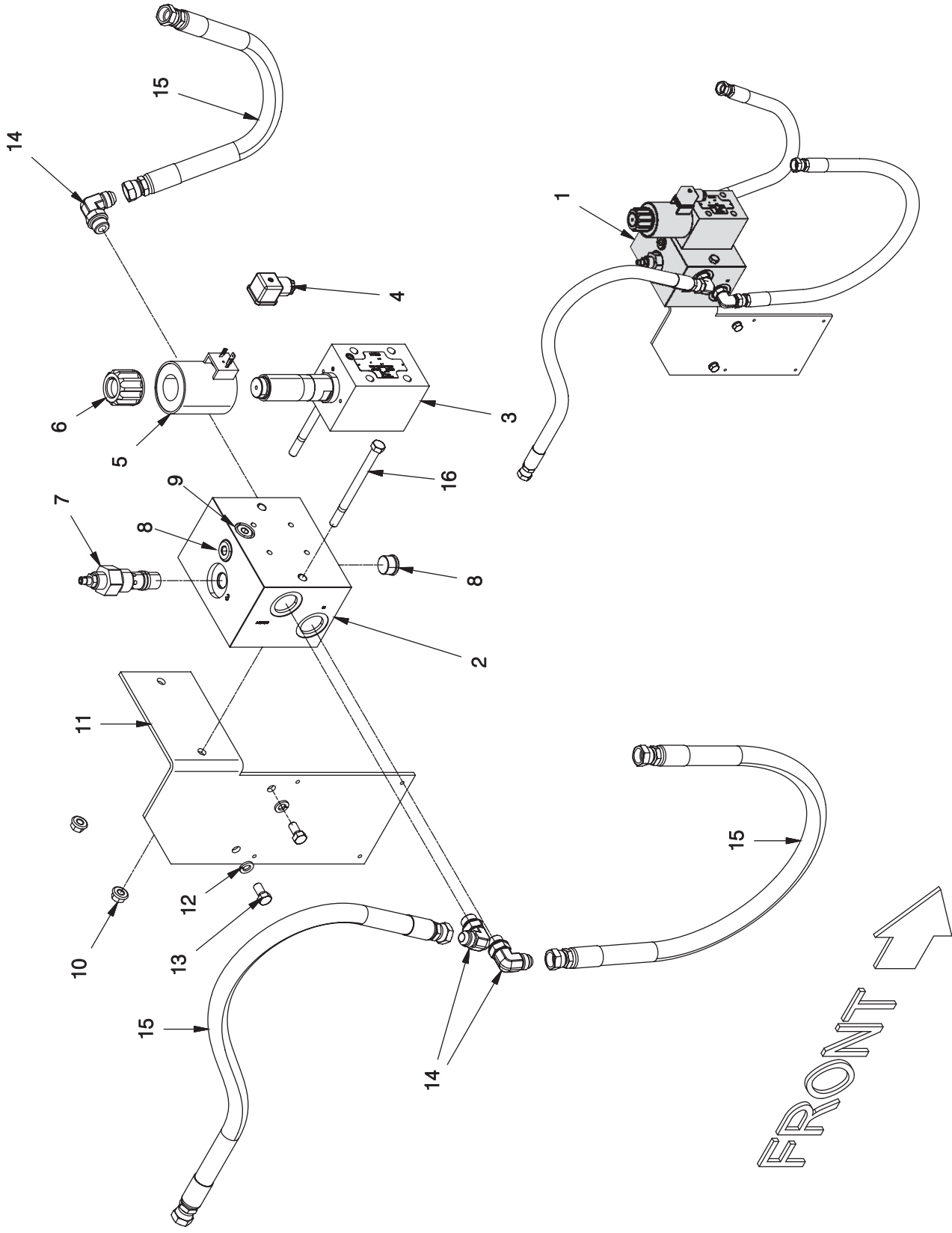





## KNOTTER AND FEED FORK MANIFOLD VALVE/HOSE ASSEMBLIES

REF NO.	PART NO.	DESCRIPTION	QTY. USED	REF NO.	PART NO.	DESCRIPTION	QTY. USED
1	VLV1730401	VALVE-KNOTTER/FEED COMPLETE	1	19	HYD5015062	CONN. 12F JIC X 4M JIC STR	1
2	VLV0000416	VALVE-RESERVOIR	2	20	HYD5129020	CAP 1/4 JIC	1
3	COI0035G12	SOLENOID COIL 12 VDC	4	21	HYD5315043	CONN. 1/2 JIC X 3/8 O-RING STR THD	1
	KIT046J515	SEAL KIT F/VLV046J515	1	22	HOS0016624	HOSE-VALVE MANIFOLD PILOT	1
	VLV046J515	VALVE	2	23	HOS0023438	HOSE-FEED FORK MOTOR	2
4	SPG0011549	RETURN SPRING	4	24	HOS037354A	KNOTTER SLOWDOWN KIT HOSE	3
5	VLV0000026	RELIEF VALVE CARTRIDGE	3	25	209959	HOSE-FEED KNOTER MANIFOLD RTRN	1
6	KIT0991010	SEAL KIT F/VLV0000026	3	26	KIT0000017	O-RING SEAL KIT F/VLV0017304	1
7	VLV1592CBG	COUNTER BALANCE VALVE	1	27	KIT0000010	SEAL KIT F/VLV0000416	2
8	VLV1592CBE	COUNTER BALANCE VALVE	1	28	SCC0030015	BOLT 3/8-16 X 4-1/2 GRD 5 HEX	2
9	KIT0000013	SEAL KIT F/VLV1592CBG	1		WLK0000375	WASHER 3/8 S/T LOCK	2
10	SEL0002006	SEAL KIT F/VLV1592CBE	1	29	SCC0030016	BOLT 3/8-16 X 5 GRD 5 HEX	1
11	CNR0000194	3/8 TO 1/2 CONNECTOR	2		WLK0000375	WASHER 3/8 S/T LOCK	1
12	HYD7237060	HEX HD PLUG 3/4 O-RING PLTD	1	30	SCS0000107	BOLT 1/4 X 2-1/4 NC SOC. HD	4
13	HYD7237040	HEX HD PLUG 1/2 O-RING PLTD	4		WAS0000025	LOCKWASHER 1/4 HIGH COLLAR	4
14	HYD7237030	HEX HD PLUG 3/8 O-RING PLTD	5	31	SCS0000307	BOLT 3/8-16 X 2-1/4 SOC. HD PLTD	8
15	HYD7237050	HEX HD PLUG 5/8 O-RING PLTD	2		WAS0000107	LOCKWASHER 3/8 HIGH COLLAR	3
16	HYD5515060	ELBOW 3/4 JIC X 3/4 O-RING 90 DEG	3		WLK0000375	WASHER 3/8 S/T LOCK	5
17	HYD5365060	ELBOW 12M JIC X 12M ADJ 45 DEG	2	32	VLV0017304	FEEDER VALVE MANIFOLD BODY	1
18	HYD5315060	CONN. 12M O-RING X 12M JIC STR	2	33	HOS037569A	KNOTTER RETURN HOSE	1
				34	HOS0032166	FEEDER MANIFOLD PRESSURE HOSE	1

**KNOTTER SLOWDOWN MANIFOLD AND CONTROLS**

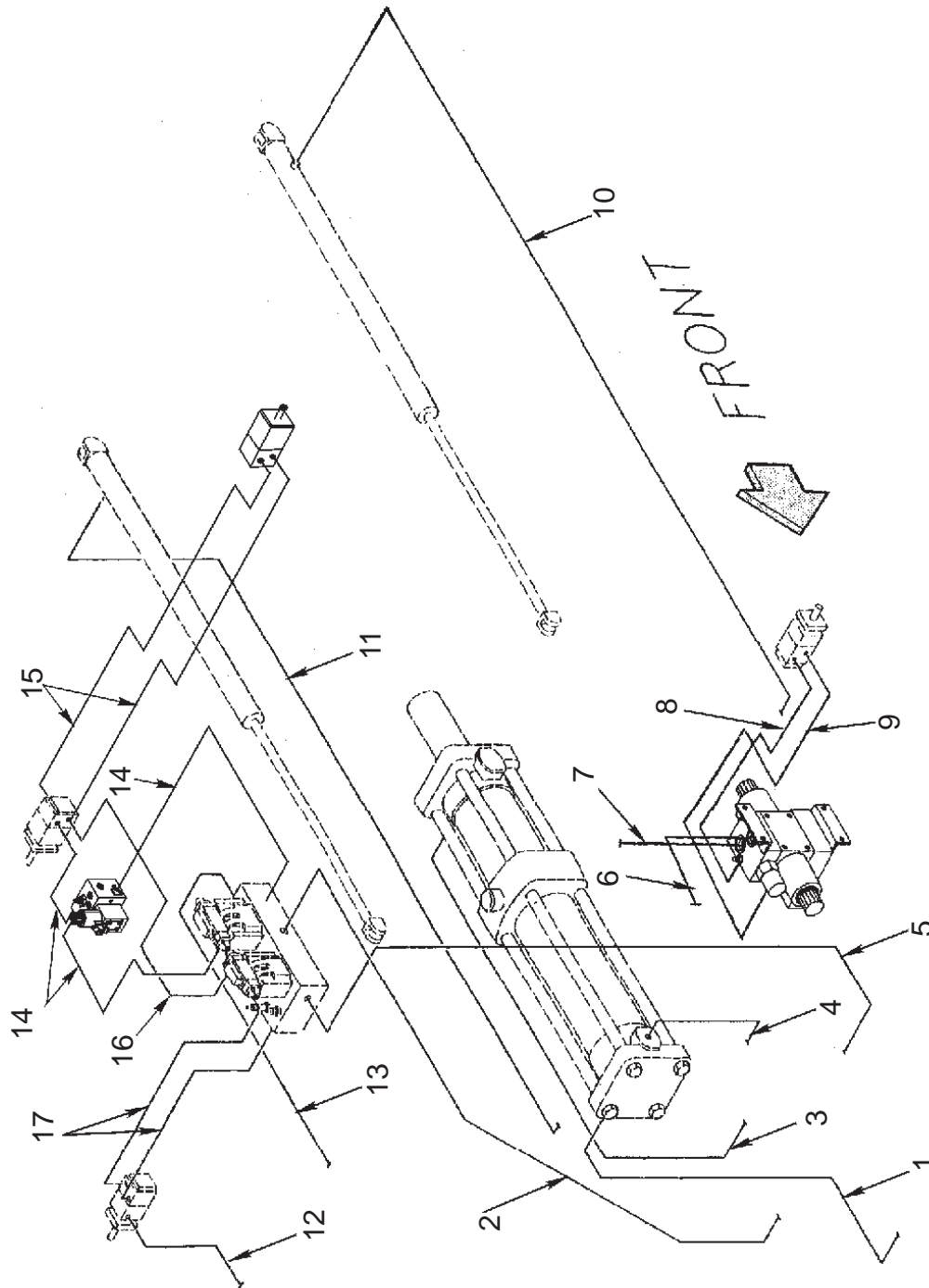


FRONT 

## KNOTTER SLOWDOWN MANIFOLD AND CONTROLS

REF NO.	PART NO.	DESCRIPTION	QTY. USED
1	MNF037492D	KNT SLOWDOWN HYD MANIFOLD ASSY	1
2	MNF0D8639B	MOTOR CONTROL MANIFOLD BODY	1
3	253915	DIRECTIONAL VALVE WAS VLV90	1
	253916	SEAL KIT FOR DIRECTIONAL VLV	
4	253917	DIN CONNECTOR	1
5	253918	COIL	1
6	253919	NUT	1
7	VLV0000091	FLOW CONTROL CARTRIDGE	1
	253910	SEAL KIT F/ FLOW CONTROL VLV	
8	253911	PLUG	2
	253912	O-RING	1
9	253913	PLUG	1
	253914	O-RING	1
10	09411507	NUT, SERRATED; 3/8 NC GR5	2
11	MNT037330D	KNOTTER SLOWDOWN VALVE MOUNT	1
12	234135	WASHER, LOCK; 3/8 REG	2
13	00179837	3/8 NC X 3/4 GR5	2
14	209490	3/4 JIC X 3/4 O-RING 90° ELBOW	3
	209745	O-RING	
15	HOS037354A	HOSE ASSY	3
16	00186289	CAPSCREW; 3/8 NC X 5 GR5 HX BLK	2

**PLUNGER, FEEDER AND KNOTTER HOSE ASSEMBLIES**

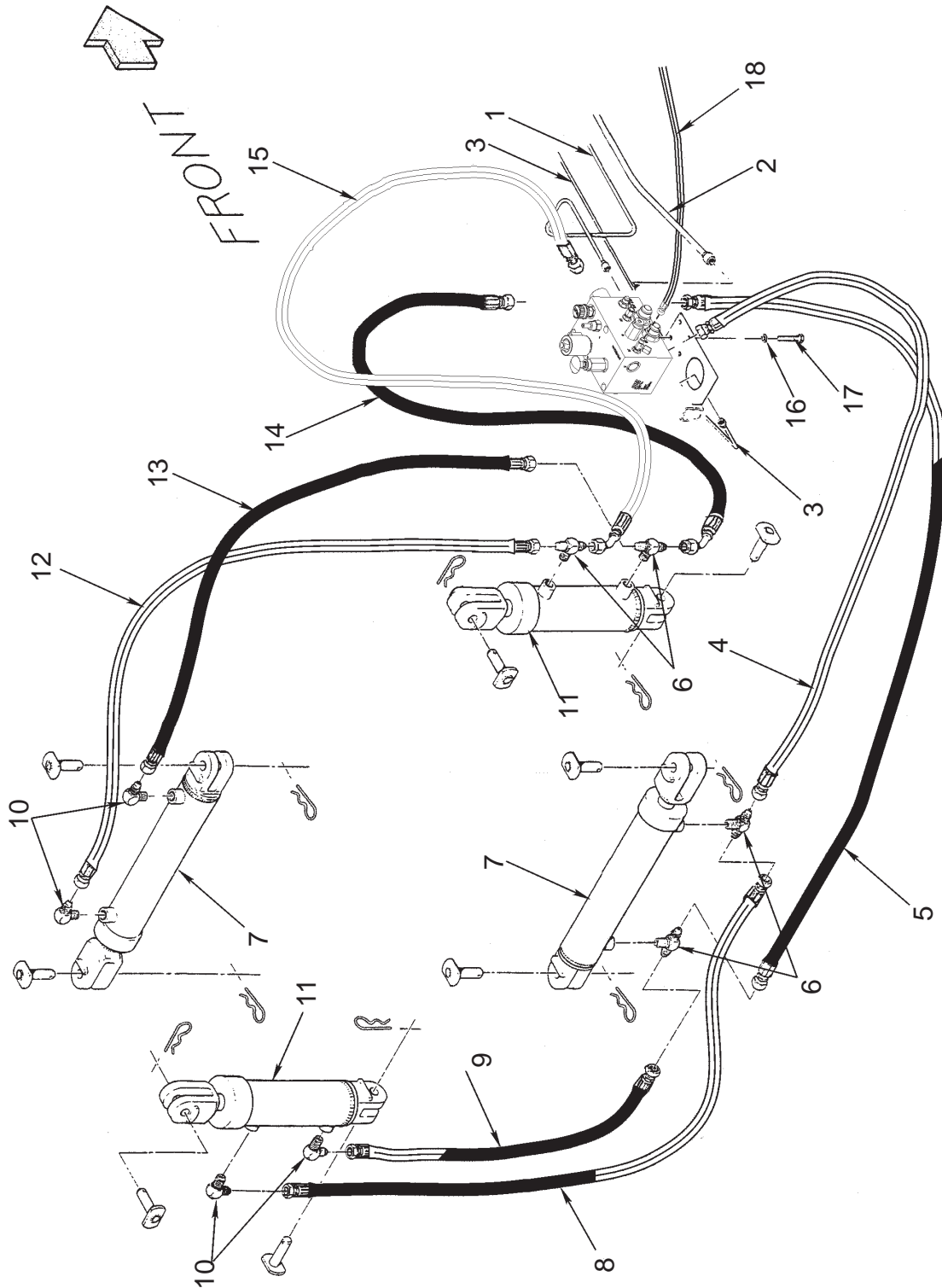


---

## PLUNGER, FEEDER AND KNOTTER HOSE ASSEMBLIES

REF NO.	PART NO.	DESCRIPTION	QTY. USED
1	HOS0015874	HOSE-PLUNGER CYLINDER	1
2	HOS0016624	HOSE-VALVE MANIFOLD PILOT	1
3	HOS0024889	HOSE-PLUNGER CYLINDER ROD END	1
4	HOS0024887	HOSE-PLUNGER CYLINDER	1
5	HOS0032166	HOSEFEEDER MANIFOLD PRESSURE	1
6	HOS0032167	HOSE-FEEDER VALVE SUPPLY	1
7	HOS0016649	HOSE-RETURN FEEDER VALVE	1
8	HOS036689A	HOSE FEEDER VLV TO FEEDER MOTOR	1
9	HOS036689A	HOSE FEEDER VLV TO FEEDER MOTOR	1
10	HOS0023451	HOSE-LH MAKE UP CYLINDER BASE	1
11	HOS0023452	HOSE-RH MAKE UP CYLINDER BASE	1
12	HOS0023455	HOSE-PRESSURE SWITCH	1
13	HOS036692A	HOSEKNOTTER MANIFOLD TANK PORT	1
14	HOS037354A	HOSE-KNOTTER SLOWDOWN KIT	3
15	HOS037017A	HOSE-KNOTTER MOTOR SECONDARY	2
16	HOS037569A	HOSE-KNOTTER RETURN	1
17	HOS0023438	HOSE-FEED FORK MOTOR	2
18	HOS036701A	HOSE TENSION PRESSURE GAUGE	1

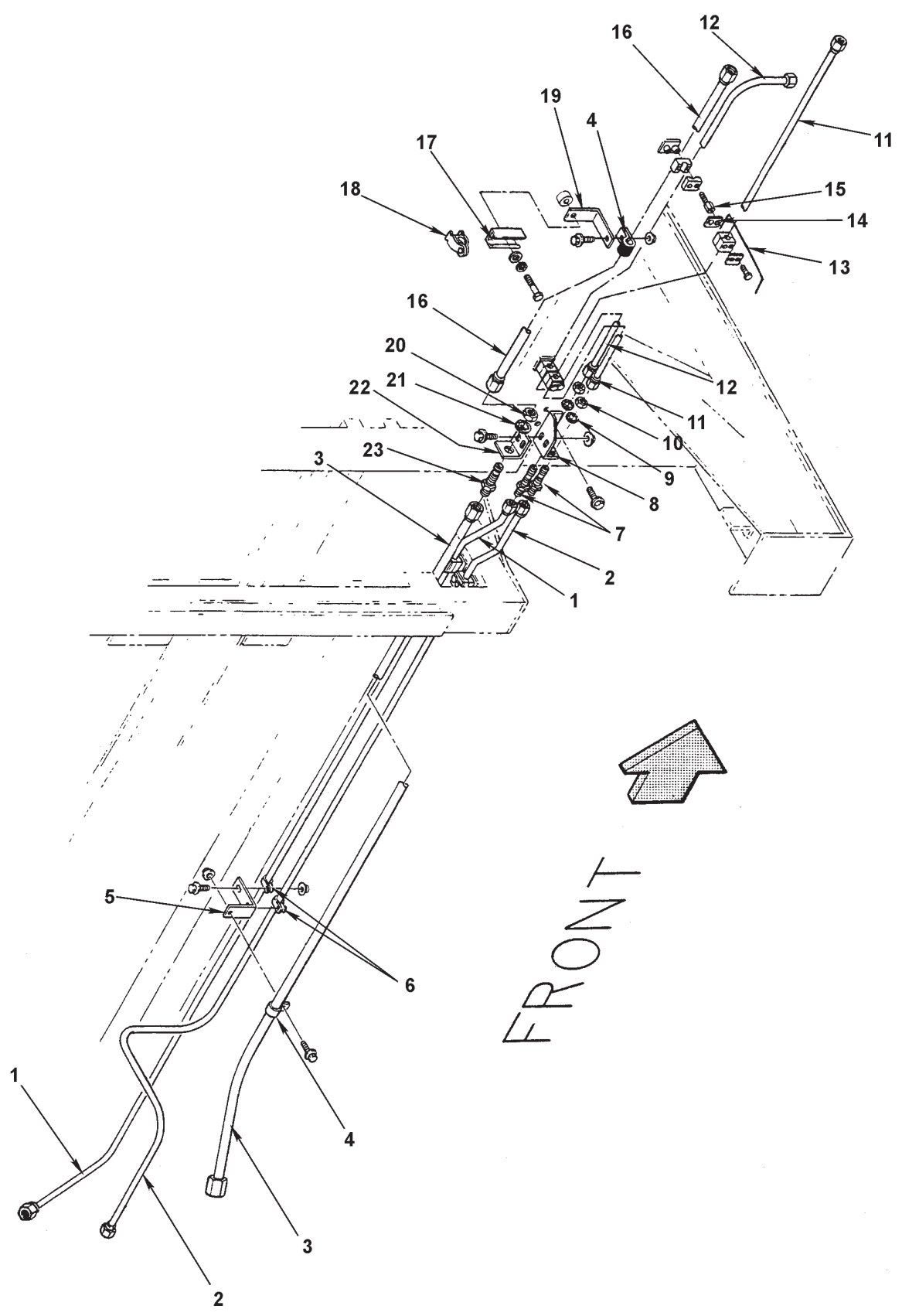
**TENSION CONTROL HOSE ASSEMBLIES**



## TENSION CONTROL HOSE ASSEMBLIES

REF NO.	PART NO.	DESCRIPTION	QTY. USED
1	HOS036700A	HOSE TENSION MANIFOLD SUPPLY	1
2	HOS036699A	HOSE TENSION MANIFOLD RETURN	1
3	HOS036698A	HOSE TENSION MAN TO RH CYL RET	1
4	28991	HOSE TENSION MAN TO BOT CYL. SUP	1
5	HOS036695A	TEN MANIFOLD TO BOT CYL.RET HOSE	1
6	209463	BRNCH TEE 3/4 M X 12M JIC X 12 M JIC	4
7	CYL0TC3516	CYLINDER TC	2
8	HOS0020947	HOSE-TC STYLE TENS CYL	1
9	HOS0020948	HOSE-TC STYLE TENS CYL	1
10	HYD5405060	3/4 JIC X 3/4 NPT M 90 ELBOW	4
11	CYL00TC408	CYLINDER TC 4 X 8 MODIFIED	2
12	HOS0015761	HOSE TENS CONTROL CYL	1
13	HOS0015762	HOSE TENS CONTROL CYL	1
14	238149	TEN MANIFOLD TO RH CYL RET HOSE	1
15	209959	TEN MANIFOLD TO RH CYL SUP HOSE	1
16	WLKM100120	WASHER 12MM LOCK	2
17	SCCM112065	BOLT 12-8.8MM C 65MM HEX PLTD	2
18	HOS036701A	HOSE TENSION PRESSURE GAUGE	1

**TENSION CONTROL TUBE ASSEMBLIES**

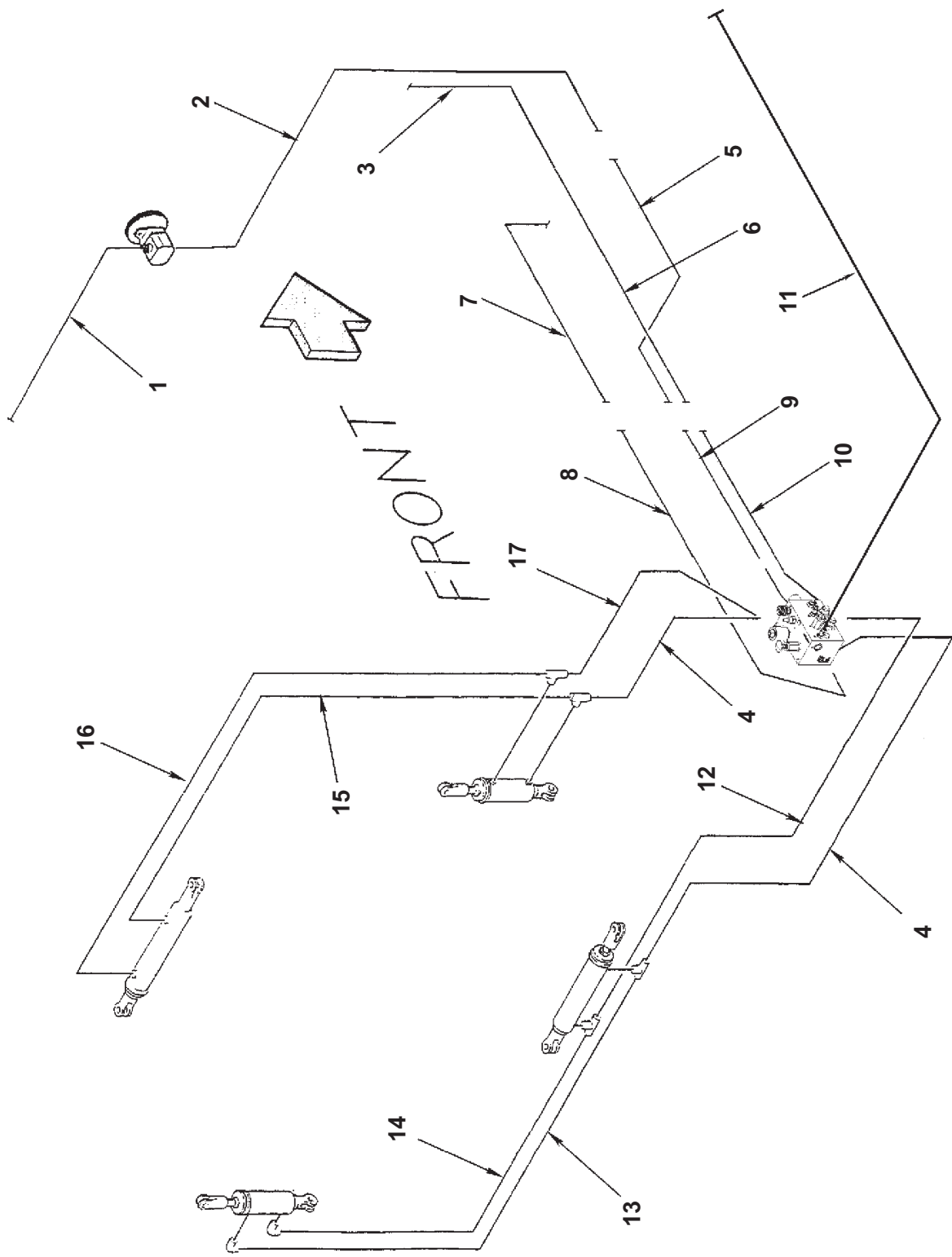




## TENSION CONTROL TUBE ASSEMBLIES

REF NO.	PART NO.	DESCRIPTION	QTY. USED	REF NO.	PART NO.	DESCRIPTION	QTY. USED
1	HOS036698A	HOSE TENSION MAN PILOT PRESSURE	1	14	PLT10951SP	SAFETY PLATE	2
2	HOS036700A	HOSE TENSION MANIFOLD SUPPLY	1	15	SMS10951SP	BOLT STACK	4
3	HOS036699A	HOSE TENSION MANIFOLD RETURN	1	16	TBE0023717	TUBE-FRONT TENSION RETURN	1
4	CLP7701158	HOSE CLAMP	2	17	MNT0020255	UNISTRUT CHANNEL	1
	SMS0000172	BOLT 1/4 X 3/4 NC WHIZ PLD	2		WCT0000375	WASHER 3/8 FLAT	1
	NMS0000250	NUT 1/4 NC FLG WHIZ	2		WLK0000375	WASHER 3/8 S/T LOCK	1
5	BKT0031949	TENSION RETURN TUBE ANCHOR BKT	1		SCC0030002	BOLT 3/8-16 X 1 GRD 5 HEX	1
	SMS0000172	BOLT 1/4 X 3/4 NC WHIZ PLD	1	18	CLP0100150	1-1/2 HYDRA ZORB CLAMP	1
	NMS0000250	NUT 1/4 NC FLG WHIZ	1	19	BKT0031949	TENSION RETURN TUBE ANCHOR BKT	1
6	CLP7701154	INSULATED HOSE CLAMP	2		SMS0000184	BOLT 5/16-18 X 3/4 FLG WHIZ	1
7	HYD5325030	BULKHEAD UNION 3/8 JIC	2		NMS0000117	NUT 5/16 NC FLG WHIZ LOCK	1
8	BKT0018160	BULKHEAD BRACKET 3/8	2	20	HYD5924050	BULKHEAD NUT 5/8	1
	SMS0000184	BOLT 5/16-18 X 3/4 FLG WHIZ	2	21	WIS0007500	WASHER 3/4 INT. STAR	1
9	WIS0005625	WASHER 9/16 INT STAR PLTD	2	22	BKT0018013	BULKHEAD BRACKET 5/8 TUBE	1
10	HYD5924030	BULKHEAD NUT 3/8	2		SMS0000184	BOLT 5/16-18 X 3/4 FLG WHIZ	2
11	TBE0023718	TUBE-FRONT TENSION PRESSURE	1		NMS0000117	NUT 5/16 NC FLG WHIZ LOCK	2
12	TBE0023719	TUBE-FRONT TENSION PILOT	1	23	HYD5325050	BULKHEAD UNION 5/8 JIC	1
13	CLP0010951	CLAMP 3/8	6				
	SCC0010003	BOLT 1/4-20 X 1-1/4 GRD 5 HEX	8				

**TENSION SYSTEM HOSE ASSEMBLIES**

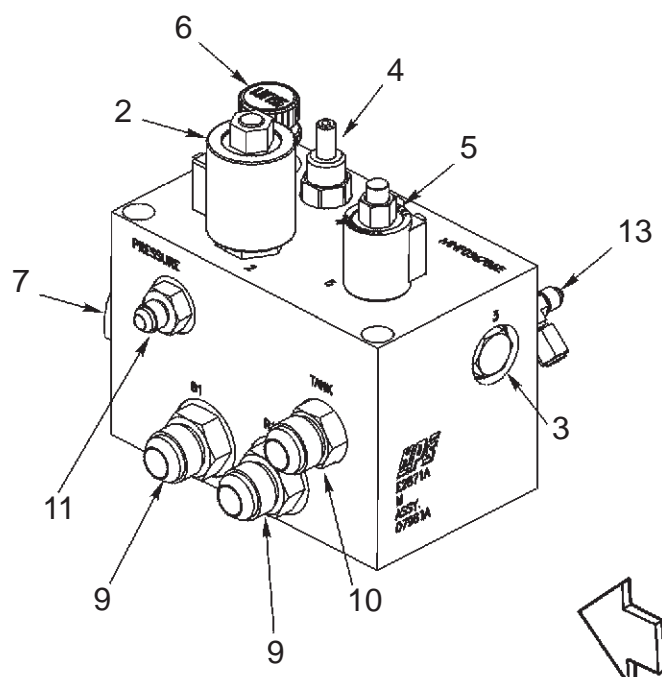
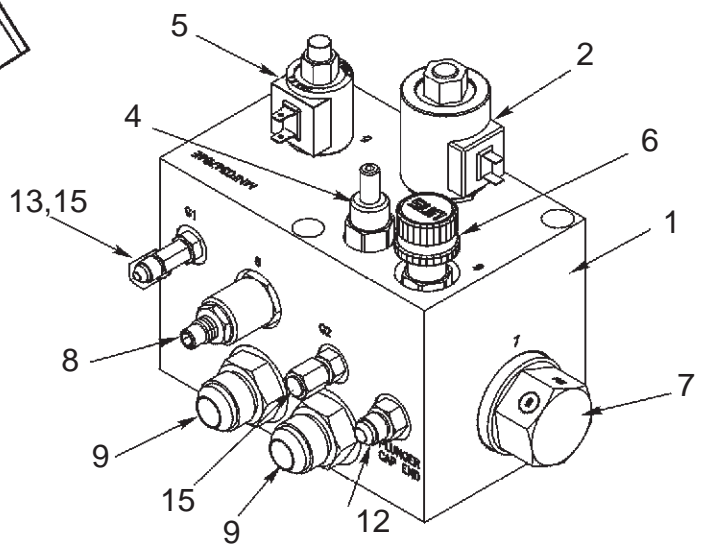


## TENSION SYSTEM HOSE ASSEMBLIES

REF NO.	PART NO.	DESCRIPTION	QTY. USED
1	HOS0023494	HOSE-TENSION PUMP SUCTION	1
2	HOS036690A	HOSE TENSION PUMP	1
3	HOS0025038	HOSE-TENSION REGULATOR TO TANK	1
4	28991	TEN MANIFOLD TO RH CYL RET HOSE	2
5	TBE0023718	TUBE-FRONT TENSION PRESSURE	1
6	TBE0023717	TUBE-FRONT TENSION RETURN	1
7	TBE0023719	TUBE-FRONT TENSION PILOT	1
8	HOS036698A	TEN MANIFOLD TO RH CYL RET HOSE	1
9	HOS036700A	TENSION MANIFOLD SUPPLY HOSE	1
10	HOS036699A	TENSION MANIFOLD RETURN HOSE	1
11	HOS036701A	TEN PRESSURE GAUGE HOSE	1
12	HOS036695A	TEN MANIFOLD TO BOT CYL.RET HOSE	1
13	HOS0020947	HOSE-TC STYLE TENS CYL	1
14	HOS0020948	HOSE-TC STYLE TENS CYL	1
15	HOS0015762	HOSE TENS CONTROL CYL	1
16	HOS0015761	HOSE TENS CONTROL CYL	1
17	HOS036697A	TEN MANIFOLD TO RH CYL SUP HOSE	1

**UNLOADER VALVE COMPONENTS**

FRONT 

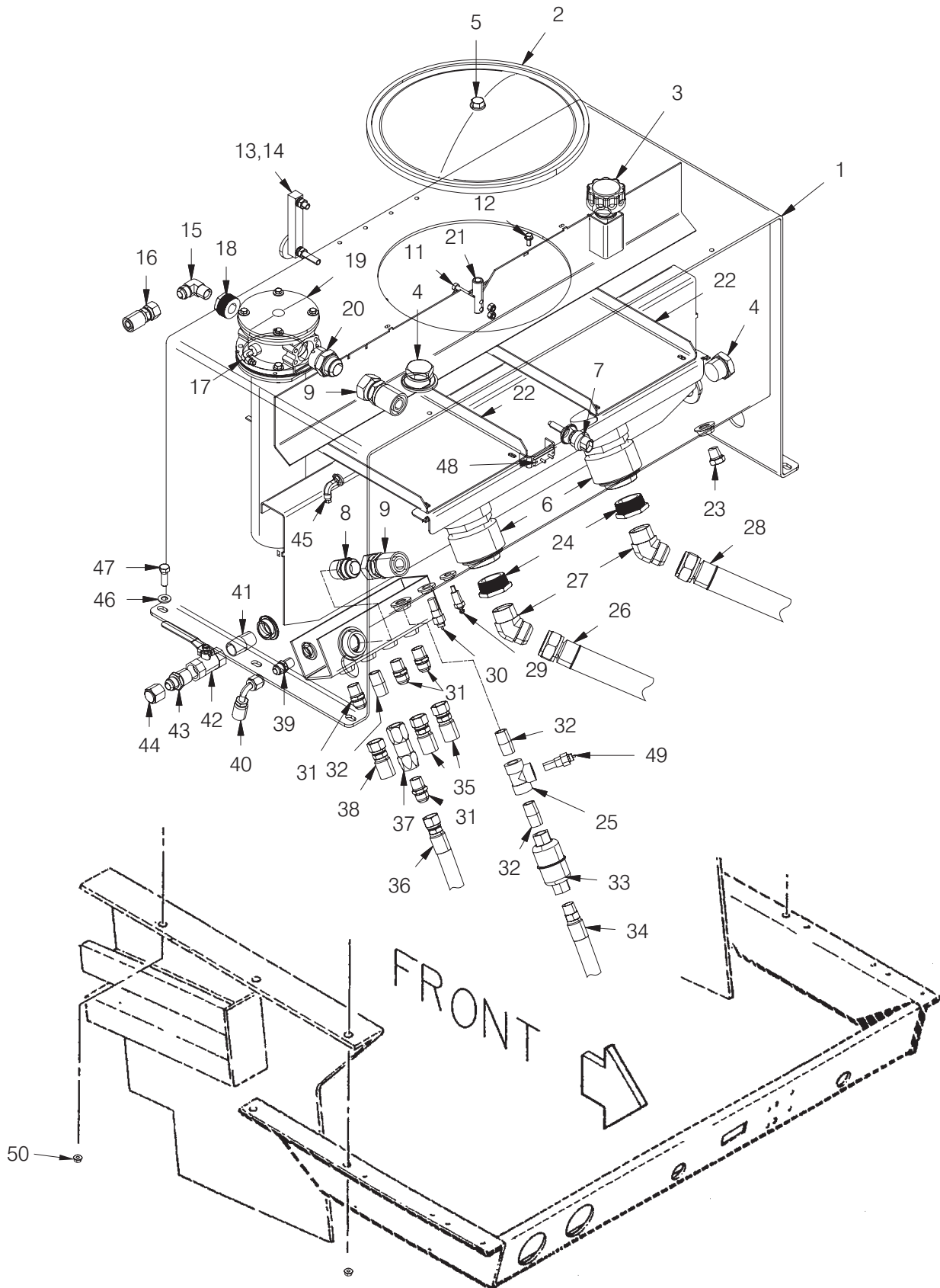


 FRONT

## UNLOADER VALVE COMPONENTS

REF NO.	PART NO.	DESCRIPTION	QTY. USED
	MNF036786E	TENSION CONTROL MANIFOLD ASSY	
1	MNF036773D	TENSION VALVE MANIFOLD	1
2	VLV0000049	SPOOL VALVE, 2 WAY,NO,10 VDC	1
	VLV0000053	SPOOL VALVE CARTRIDGE	
	COI6351010	SOLENOID VALVE COIL, 10 VDC	
	SEL0000049	SEAL KIT FOR VLV000049	
3	VLV0000051	CHECK VALVE CARTRIDGE, 5 PSI	1
	SEL0000051	SEAL KIT FOR VLV0000051	
4	VLV0000044	DIRECTIONAL VALVE F/ MNF036773D	1
	SEL0000044	SEAL KIT FOR VLV0000044	
5	VLV0000063	TENSION CONTROL VALVE	1
	VLV0000064	TENSION VALVE CARTRIDGE	
	COI0000002	SOLENOID VALVE COIL, 12DC	
	SEL0000063	SEAL KIT F/VLV0000063	
6	VLV0000045	DIRECTIONAL VALVE, NC	1
	VLV0000056	DIRECTIONAL VALVE CARTRIDGE, NC	
	VLV0000055	VALVE ADJUSTING KNOB KIT	
	SEL0000045	SEAL KIT FOR VLV0000045	
7	VLV0000015	1592 TENSION CAVITY PLUG	1
	SEL0000028	SEAL KIT FOR VLV0000015	
8	VLV0000059	RELIEF VALVE	1
	SEL0000059	SEAL KIT FOR VLV0000059	
9	HYD5315060	3/4 JIC X 3/4 O-RING ST THD CONN	4
10	HYD5315065	3/4 JIC X 5/8 O-RING ST THD CONN	1
11	HYD5315034	3/8 JIC X 1/2 O-RING STR THREAD CONN	1
12	HYD5315033	3/8 JIC X 3/8 O-RNG ST THD CONN	1
13	HYD5716020	1/4 TUBE 1/4 O-RING RUN TEE	1
14	HYD5315020	STR. THD. CONN., -4 ORING X -4 JIC	1
15	HYD5129020	1/4" JIC CAP	1

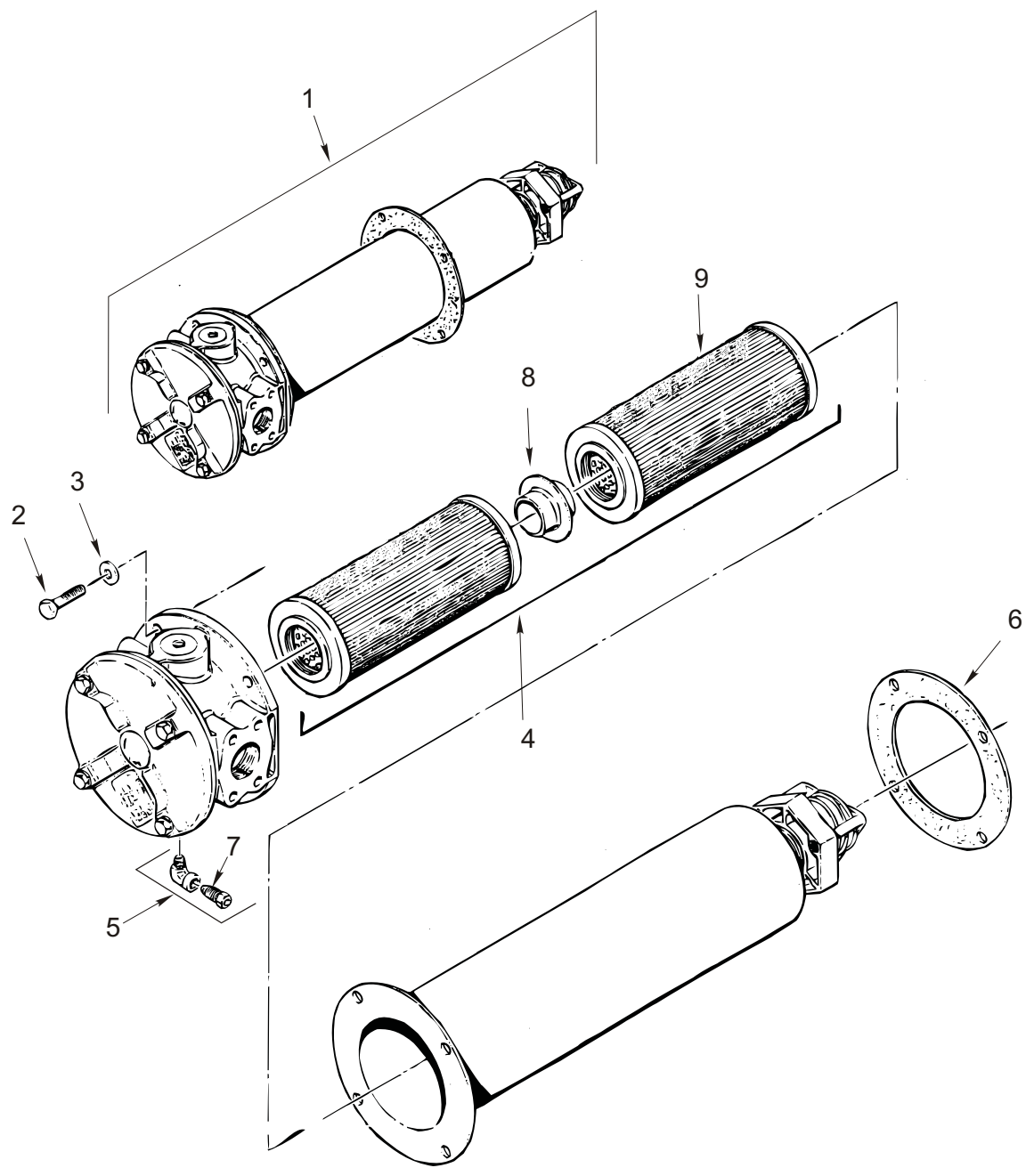
**RESERVOIR ASSEMBLY**



## RESERVOIR ASSEMBLY

REF NO.	PART NO.	DESCRIPTION	QTY. USED	REF NO.	PART NO.	DESCRIPTION	QTY. USED
1	TNK037723E	TANK, HYDRAULIC OIL	1	25	HYD3709060	3/4 STEEL FEMALE PIPE TEE	1
2	CVR0000001	HYD TANK CLEAN-OUT COVER	1	26	HOS0035162	COMMERCIAL PUMP SUCTION HOSE	1
3	FIL1731101	BREATHER FILTER, HYD TANK	1	27	HYD5355121	1-1/2JIC X 1-1/2NPT 45*	2
4	HYD3159022	PIPE PLUG 1-1/2 HEX STEEL	2	28	HOS0023488	HOSE, SUND. PUMP SUCTION	1
5	SCC0070012	HEX HD CS NC 5/8 X 3-1/2 - PLATED	1	29	ELC0000334	SENDING UNIT- HYD TEMP	1
6	SCR3001592	SCREEN 3" SUCTION	2	30	THM0714326	220F TEMP WIRING HARNESS	1
7	SWI0000824	SWITCH - LIQUID LEVEL	1	31	HYD5205060	CONN. 3/4 JIC X 3/4 NPT M	4
8	HYD5205100	CONN 1-1/4 JIC 1-1/4 NPT M	1	32	PPE0000750	3/4 CLOSE NIPPLE BLACK STEEL	2
9	HOS036702A	RETURN FILTER TO RET MANIFD HOSE	1	33	FIL0000003	FILTER-SUCTION F/1592 TNS PUMP	1
10	SCC0030004	HEX CAP SCREW 3/8-16 X 1-1/2"GRD 5	2	34	HOS0023494	HOSE TENSION PUMP SUCTION	4
11	NCE0000375	ESNA NUT 3/8-16 PLATED	2	35	229543	HOSE-RT PUMP CASE DRAIN-CHK VLV	2
12	SMS0000184	WHIZ BOLT 5/16 X 3/4 NC-PLATED	8	36	HOS036693A	OIL COOLER BYPASS HOSE	1
	NCE0003125	ESNA NUT NC 5/16	8	37	VLV0075005	CHECK VALVE 3/4 X 5LB	1
13	GAG0064051	GAUGE-THERMOMETER SIGHT	1	38	HOS0023435	FEED KNOTTER MANIFOLD RETN HSE	1
14	HYD7629040	1/2 O-RING	2	39	HYD5205054	5/8 JIC X 1/2 NPT MALE CONN	1
15	HYD5405060	3/4 JIC X 3/4 NPT 90° MALE ELB	2	40	HOS0025038	HOS-TENSION REGULATOR TO TANK	1
16	HOS036692A	HOSE KNOTTER MANIFOLD TANK	1	41	PPE0001000	1" CLOSE NIPPLE BLACK STEEL	1
17	F 0001441	CONN 1/8NPT M X 1/4 ELBOW W/NUT	2	42	VLV0006001	VALVE 1" BALL BRASS	1
18	HYD3109096	1-1/2 X 3/4 STEEL PIPE BUSHING	3	43	F000006675	3/4" JIC TO 1" ST FITTING	1
19	FIL0001592	FILTER	1	44	HYD5129060	SENDING UNIT- HYD TEMP	1
20	HYD5205120	1-1/4 JIC X 1-1/2 NPT CONNECT	1	45	F000001441	CONN 1/8 NPT M X 1/4 ELBOW W/NUT	6
21	DPT0004000	BAFFLE ADAPTER F/WE4A	1	46	NCH00000500	HEX NUT 1/2 NC PLTD	6
22	BAF037731D	BAFFEL	2	47	HOS0016649	HOSE-RETUN FEEDER VALVE	1
23	HYD3159060	PIPE PLUG 3/4 HEX STEEL	1	48	TEB0472102	2 POST TERMINAL BLOCK	1
24	PPE2001500	2 X1-1/2 STD BLK HEX BUSH	2	49	THM001592D	THERMOSTAT, PROBE TYPE-1592D	1
				50	NMS0000252	WHIZ NUT NC 1/2	4

**MAIN SYSTEM HYDRAULIC FILTER COMPONENTS**



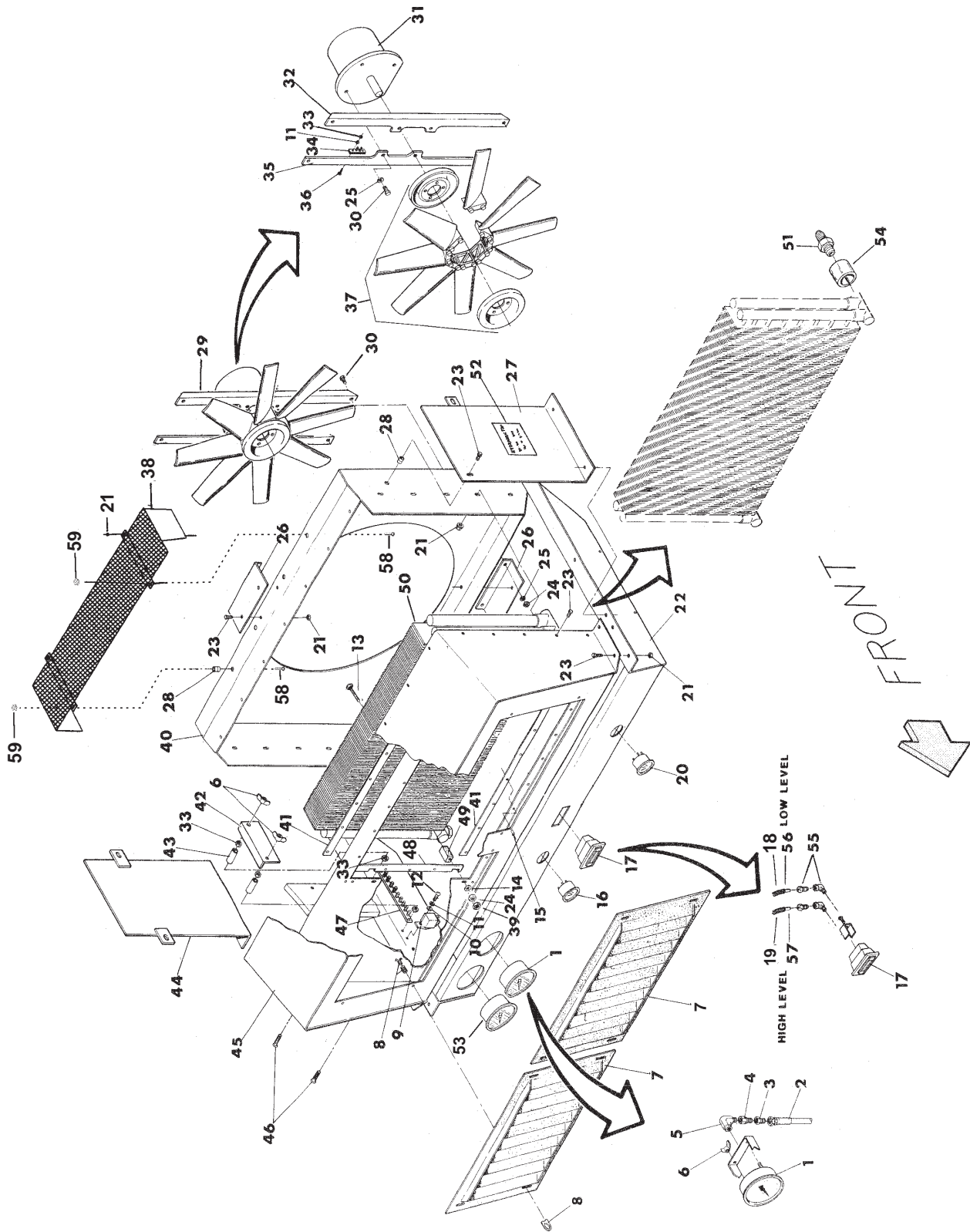


---

## MAIN SYSTEM HYDRAULIC FILTER COMPONENTS

REF NO.	PART NO.	DESCRIPTION	QTY. USED
1	FIL0001592	FILTER - MAIN SYSTEM HYDRAULIC (INC 4 & 6)	
2	SCC0030004	BOLT 3/8-16 X 1-1/2 NC HEX PLTD	4
3	WAS0093781	THREAD SEALING WASHER	4
4	KIT003000	ELEMENT KIT (2 ELEMENT AND CONN)	1
5	F 0001441	CONN. 1/8 NPT M X 1/4 ELBOW W/NUT	1
6	GSK0000RG4	GASKET - FILTER HOUSING	1
7	F000008312	1/4 SLEEVE F/F1441	1
8	CNR0001997	CONNECTOR F/ FIL3000	1
9	FIL0003000	ELEMENT F/1592 MAIN HYD FILTER	2

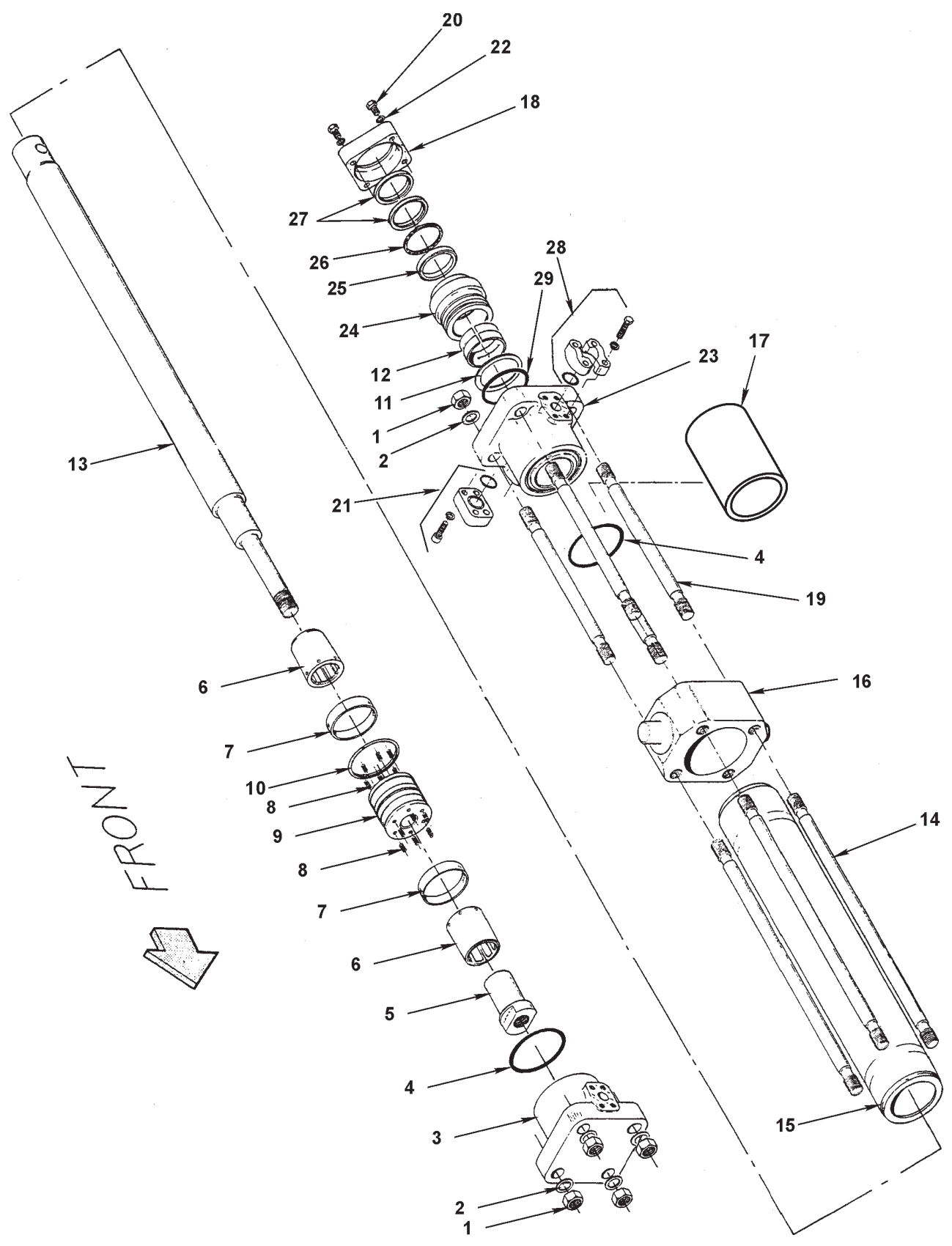
**OIL COOLING SYSTEMS AND GAUGE PANEL ASSEMBLIES**



## OIL COOLING SYSTEMS AND GAUGE PANEL ASSEMBLIES

REF NO.	PART NO.	DESCRIPTION	QTY. USED	REF NO.	PART NO.	DESCRIPTION	QTY. USED
1	GAG2335010	GAUGE LIQ FILL HYD 10000 PSI 4"	1	32	SUP0233771	RIGHT OIL COOLER FAN MTR MOUNT	1
2	HOS0022137	10M PRESSURE GAUGE HOSE	1		SUP0233770	LEFT OIL COOLER FAN MTR MOUNT	
3	HYD5255022	FITTING 1/4F X 1/4M JIC SOLID STR	1	33	NFH0001032	10-32 NF HEX NUT - PLATED	6
4	HYD0010000	PULSATION DAMPENER	1	34	TEB0472102	2 POST TERMINAL BLOCK	1
5	HYD3409020	STREET ELBOW 1/4 X 90	1	35	SUP0233771	RIGHT OIL COOLER FAN MTR MOUNT	1
6	CLP0411001	NUT 5/16 U-CLIP	4	36	SMR1032750	10-32 X 3/4 RH MACH SCREW	2
7	GRL0023379	OIL COOLER GRILL	2	37	FAN5000212	BLADE ASSY - COOLER FAN 21"	1
8	FST0010401	MED DUTY FLDING HANDLE FASTNER	8	38	GRD0023386	GUARD - FAN OIL COOLER	1
9	REL0000332	RELAY SPDT	1	39	NCE0000313	5/16" NC ESNA NUT - PLATED	4
10	WCT0000100	#10 FLATWASHER - PLATED	1	40	SHR0023371	OIL COOLER FAN SHROUD	1
11	WLK0000100	#10 LOCKWASHER - PLATED	6	41	SPC0017429	SPACER - HEAT EXCHANGER	2
12	SMR1032050	10-32X1/2 RH MACH SCREW	2	42	SHD0020822	SHIELD-10 POST JUNC. BLOCK	1
13	CRB3130225	BOLT 5/16-18 X 2-1/4 GRD 5 CARRIAGE	4	43	11-262	1" SPACER F/JUNC BLOCK	2
14	WCT0000313	WASHER 5/16 FLAT	4	44	SHD0023375	RIGHT FAN SHIELD	1
15	RIV0000604	POP RIVET	26	45	SHR0023365	OIL COOLER SHIELD	1
16	GAG0082112	GAUGE VOLTAGE METER 12V NEG	1	46	SMR1032175	10-32 X 1-3/4 RH MACH SCREW	3
17	HYD0162037	INDICATOR - REMOTE HYDRAULIC	1	47	TEB0472110	10 POST TERMINAL BLOCK	1
18	AO00000313	5/16" FABRIC WIRE LOOM 70" PC	1	48	SPC0023370	SPACER-HEAT EXCHANGER	2
19	AO00000313	5/16" FABRIC WIRE LOOM 58" PC	1	49	CLR0002094	MOUNTING BLOCK - OIL COOLER	4
20	GAG0082115	OIL TEMP GAUGE S/W82-115	1	50	CLR21133S1	OIL COOLER	1
21	NMS0000117	5/16" NC WHIZ NUT - PLATED	27	51	F000006675	12M JIC X 1M ST ADAPTER	2
22	MNT0023349	OIL COOLER MOUNT	1	52	FD00018808	HYD FLUID DECAL	1
23	SMS0000184	5/16" X 3/4" NC WHIZ BOLT-PLATED	27	53	GAG2335003	TENSION SYS PRESSURE GAUGE F/1592	1
24	NCH0000313	5/16" NC HEX NUT -PLATED	8		HYD3409020	STREET ELBOW 1/4 X 90	1
25	WLK0000313	5/16" LOCKWASHER - PLATED	8		CLP0411001	NUT 5/16 U-CLIP	1
26	MNT0020946	OIL COOLER FAN MOUNT	2		HYD5255022	FITTING 1/4F X 1/4M JIC SOLID STR	1
27	SHD0023373	LEFT FAN SHIELD	1		HOS036701A	HOSE TEN PRESSURE GAUGE	1
28	ZZ00000500	5/16" NC NUTSERT	5	54	STO0025075	OIL COOLER/FAN SHROUD AIR STOP	2
29	FAN5002147	FAN & MOTOR ASSY F/OIL COOLER	1	55	F000001441	1/4" X 1/8" 90° <b>ELBOW</b>	1
30	SCC0020001	BOLT 5/16-18 X 3/4 GRD 5 HEX	8	56	F000007400	1/8" TUBING 72"	1
31	MTR5000211	FAN MOTOR ONLY	1	57	F000007400	1/8" TUBING 60"	1"
				58	SMS0000177	BOLT WHIZ 5/16"	4
				59	NMS0000117	NUT 5/16 NC FLG WHIZ LOCK	2

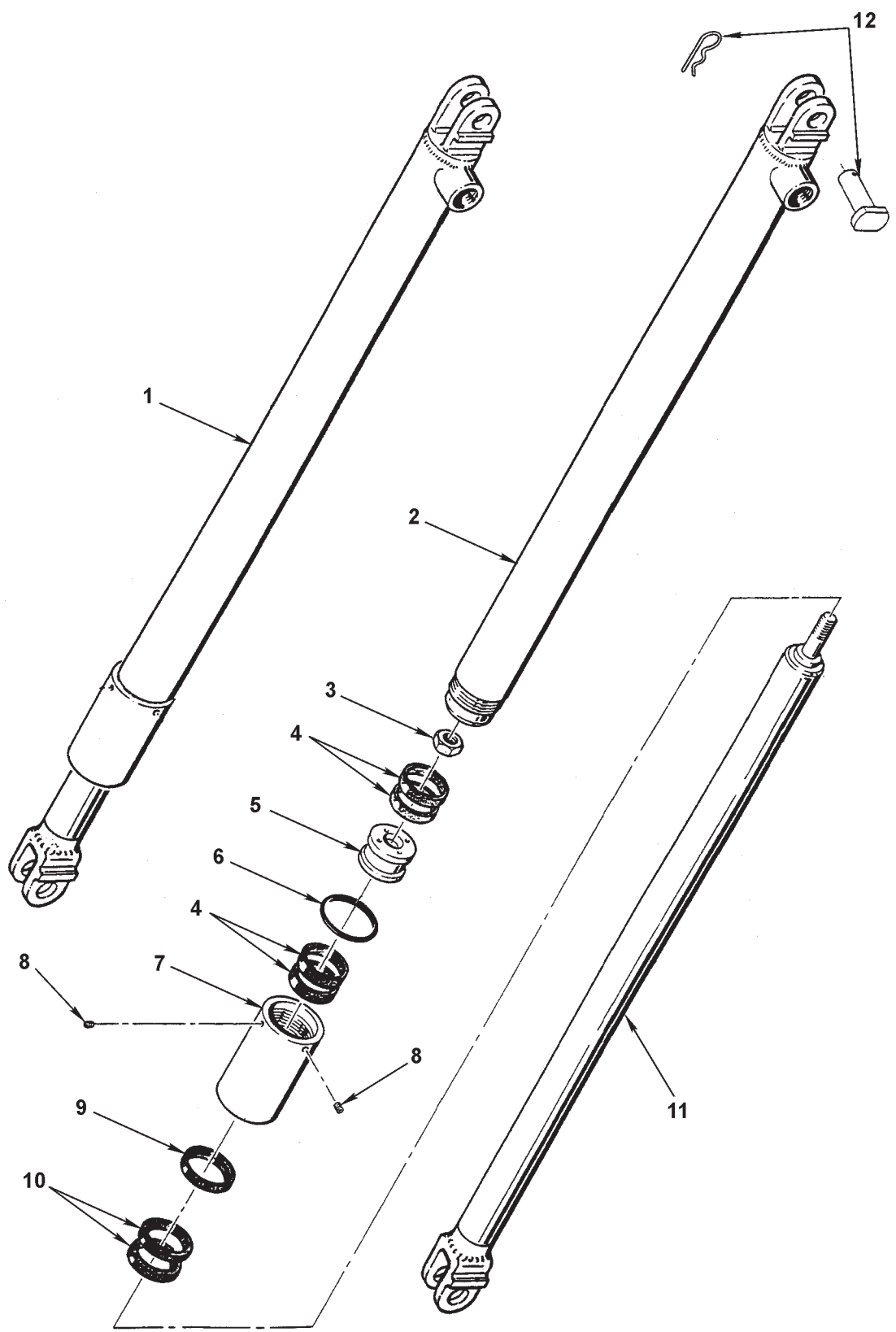
**PLUNGER CYLINDER COMPONENTS**



## PLUNGER CYLINDER COMPONENTS

REF NO.	PART NO.	DESCRIPTION	QTY. USED	REF NO.	PART NO.	DESCRIPTION	QTY. USED
1	NFH0012600	1-1/4 NF NUT HEX GRD 8	8	20	SCC0050008	BOLT 1/2 X 2-1/2 NC GRD 8 PLTD	4
2	WAS0028076	HARDENED WASHER	8	21	FLG0001660	1" CODE 62 BLIND FLANGE	1
3	CYL0023692	PLUNGER CYLINDER BASE	1		SCC0040005	BOLT 7/16 X 1-3/4 NC GRD 8 PLTD	4
4	RNG0002245	DURO POLYURETHANE O-RING	2		WLK0004375	7/16 MEDIUM LOCK WASHER	4
5	CYL0023699	PLUNGER CYLINDER ROD NUT	1		RNG0002219	O-RING VITON 90 DURO	1
6	CYL0023695	PLUNGER CYLINDER CUSHION	2	22	WAS0000104	1/2 FLAT WASHER	4
7	BRG3751125	3-3/4 ID X 1 X .125 HYDRO RING	2	23	CYL0023690	PLUNGER CYLINDER HEAD	1
8	SPG0023737	PLUNGER CYLINDER SPRING	12	24	CYL0023697	PLUNGER CYL ROD PACK GLAND	1
9	CYL0023694	PLUNGER CYLINDER PISTON	1	25	SEL0001182	PLUNGER CYLINDER ROD SEAL	1
10	RNG0004914	PISTON RING	1	26	FLT3125350	5/16 X 5/16 X 3-1/2 OD FELT RING	1
11	RNG0008342	BACKUP RING	1	27	WIP0110042	PLUNGER CYLINDER ROD WIPER	2
12	BRG2752125	2-3/4ID X 2 X .125 BUTT CUT RD BG	2	28	FLG0001501	1" SPLIT FLNG W/BOLT KIT & O-RING	3
13	ROD0023698	PLUNGER CYLINDER ROD	1		SCC0040005	BOLT 7/16 X 1-3/4 NC GRD 8 PLTD	12
14	CYL0017121	PLUNGER CYL BASE END TIE ROD	4		WLK0004375	7/16 MEDIUM LOCK WASHER	12
15	CYL0023700	PLUNGER CYLINDER BARREL	1		RNG0002219	O-RING VITON 90 DURO	3
16	CYL0023701	PLUNGER CYLINDER TRUNION	1	29	RNG0023420	O-RING VITON 90 DURO	1
17	SPC0023696	PLUNGER CYL TRUNION SPACER	2		CYL036792E	PLUNGER CYLINDER ASSEMBLE (INC. 1-29)	
18	RET0023770	PLUNGER CYL GLAND RETAINER	1		CYL036796E	PLUNGER CYLINDER PISTON ROD ASSY (INC. 5,6,7,8,9,10,13)	
19	CYL0017120	PLUNGER CYL ROD END TIE ROD	4		CYL036795E	PLUNGER CYLINDER ROD GLAND ASSY	
					SEL0001592	SEAL KIT PLUNGER CYL (INC.4,7,10,11,12,25,26,27,29,RNG0002219)	

**MAKE-UP CYLINDER COMPONENTS**

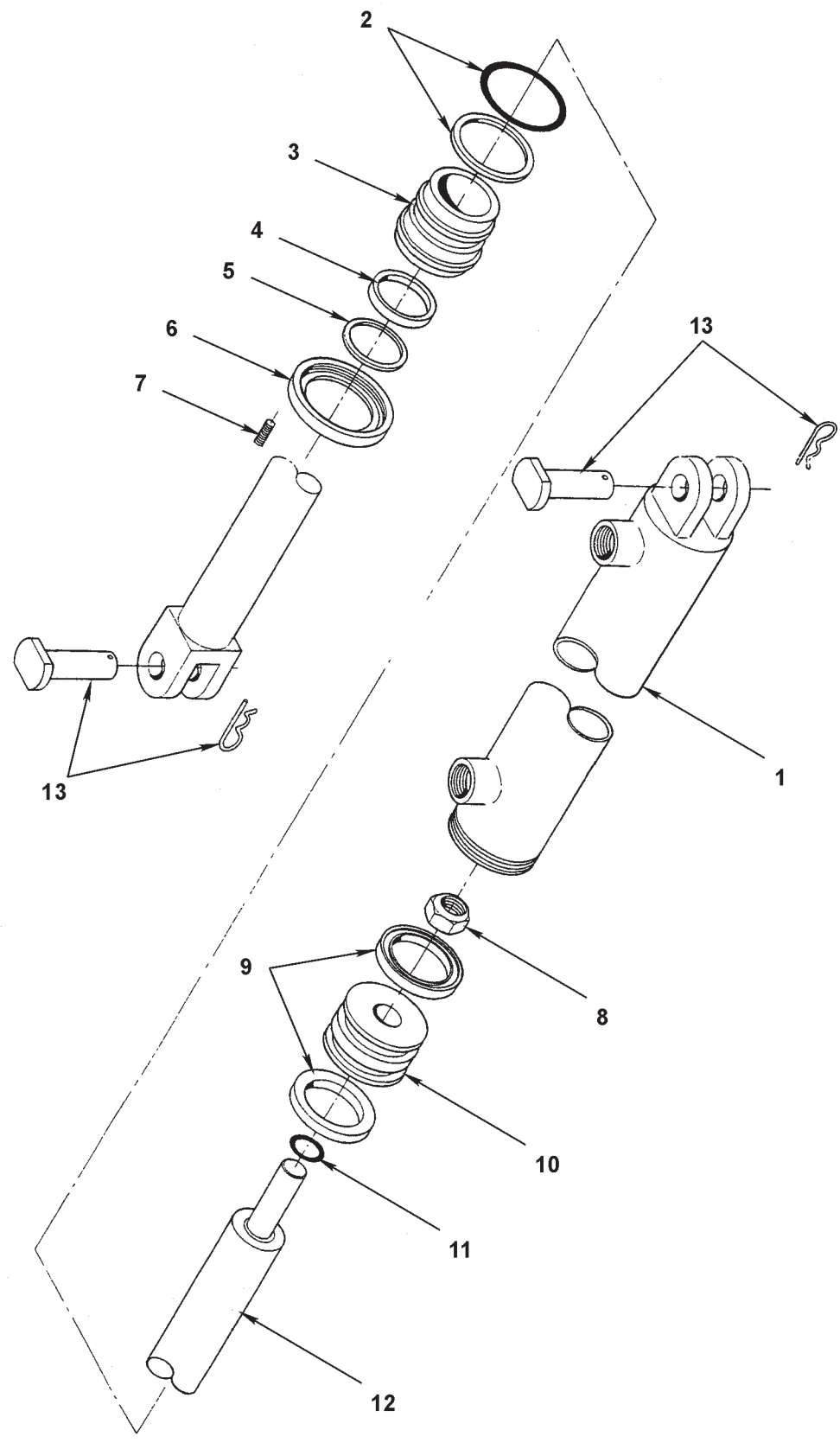


---

## MAKE-UP CYLINDER COMPONENTS

REF NO.	PART NO.	DESCRIPTION	QTY. USED
1	CYL0024785	MAKE-UP CYLINDER	2
2	CYL0024787	MAKE-UP CYLINDER BARREL	1
3	NFX0000750	3/4" DEFORMED HEAD NUT	1
4	RNG0030107	WEAR RING	4
5	CYL0024789	MAKE-UP CYLINDER PISTON	1
6	RNG0002230	WEAR RING	1
7	CYL0024790	MAKE-UP CYLINDER HEAD	1
8	STS2500250	1/4 X 1/4 NC SOCKET SET SCREW	2
9	SEL0001143	ROD SEAL	1
10	WIP0110023	ROD WIPER	2
11	ROD0024786	MAKE-UP CYLINDER ROD	1
12	HYP FA22P	CLEVIS PIN W/COTTER PIN	1
13	SEL0024785	SEAL KIT FOR CYL0024785 (INC. REF #3,4,6,9,10)	A/R

**TOP AND BOTTOM TENSION CYLINDER COMPONENTS**



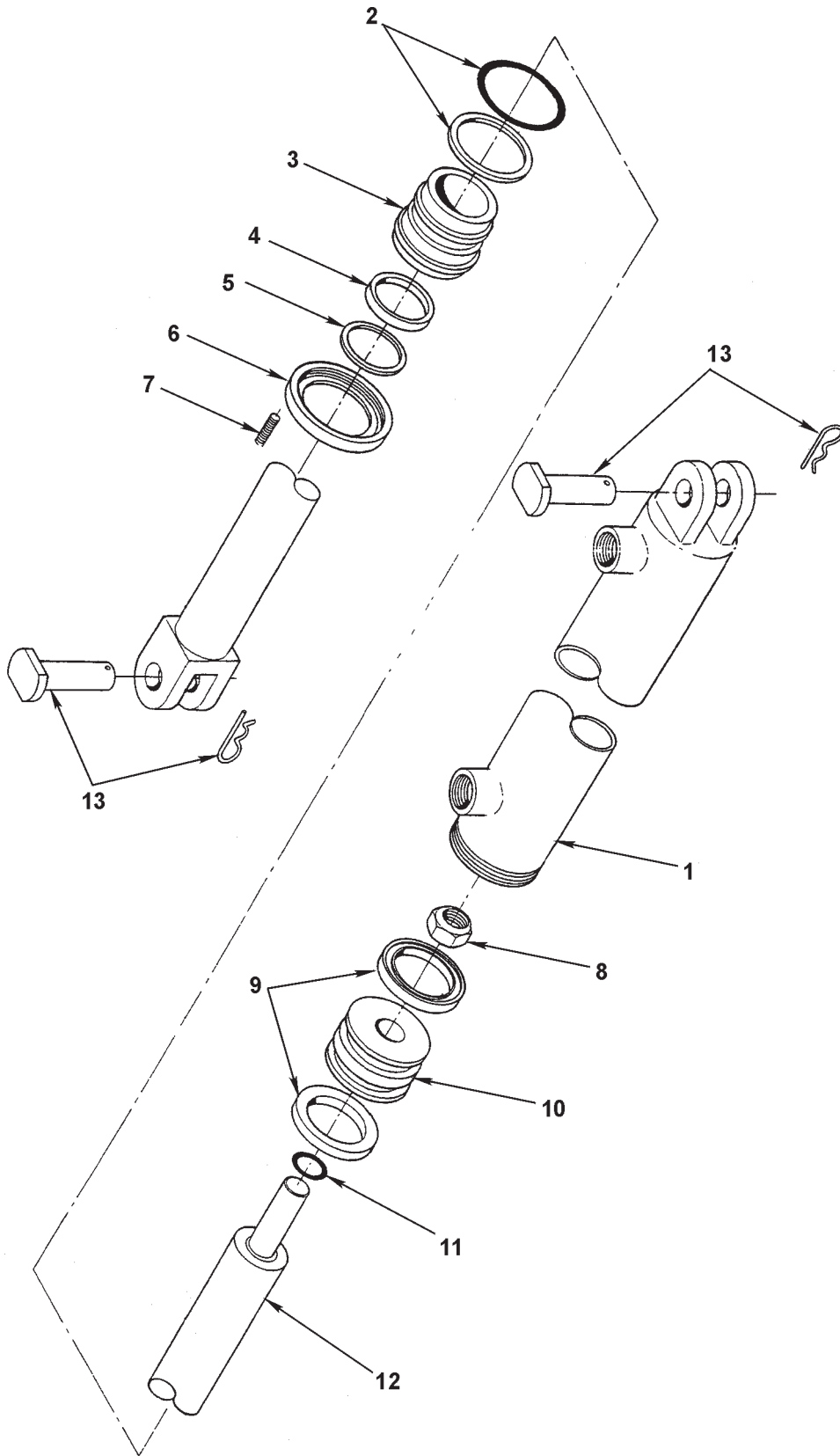


---

## TOP AND BOTTOM TENSION CYLINDER COMPONENTS

REF NO.	PART NO.	DESCRIPTION	QTY. USED
1	TC 000035C	TUBE ASSEMBLY	1
2	HYP TC350	HEAD O-RING ASSEMBLY	1
3	TC 000035E	HEAD	1
4	TC 00035US	SHAFT PACKING	1
5	TC 00035RW	ROD WIPER	1
6	HYP00035EC	THEADED END CAP	1
7	TC 00035SC	SET SCREW	1
8	HYP TC35N	PISTON LOCK NUT	1
9	TC 00035VP	PISTON PACKING	1
10	TC 000035V	PISTON	1
11	TC 00035SO	SMALL O-RING	1
12	TC 000035S	SHAFT ASSEMBLY	1
13	TC 000035P	CLEVIS PIN	1
	SELOT3516	SEAL KIT F/CYL0TC3516	A/R

**SIDE TENSION CYLINDER COMPONENTS**

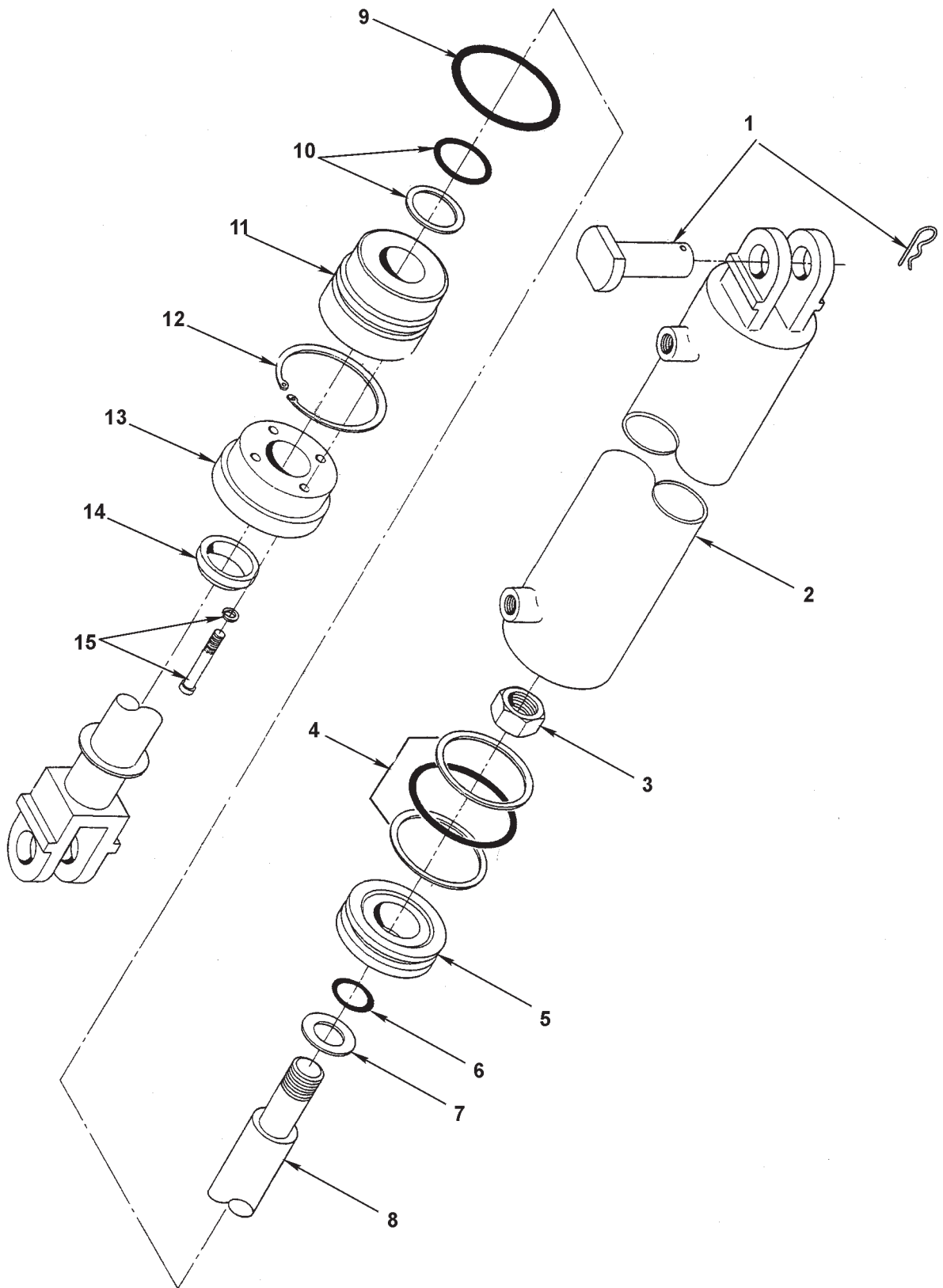


---

## SIDE TENSION CYLINDER COMPONENTS

REF NO.	PART NO.	DESCRIPTION	QTY. USED
1	TC 000004C	TUBE ASSEMBLY	1
2	TC 000004O	HEAD O-RING ASSEMBLY	1
3	TC 000004E	HEAD	1
4	TC 00004US	SHAFT PACKING	1
5	TC 00004RW	ROD WIPER	1
6	HYD00004EC	THREADED END CAP	1
7	TC 00004SC	SET SCREW	1
8	HYD000TC4N	PISTON LOCK NUT	1
9	TC 00004UP	PISTON PACKING ( SET)	1
10	TC 000004V	PISTON	1
11	TC 00004SO	SMALL O-RING	1
12	HYD000TC4S	SHAFT ASSEMBLY	1
13	HYP TC4P	CLEVIS PIN	2
	SEL0000KT4	SEAL KIT (INC. REF. 2,4,5,9 & 11)	A/R

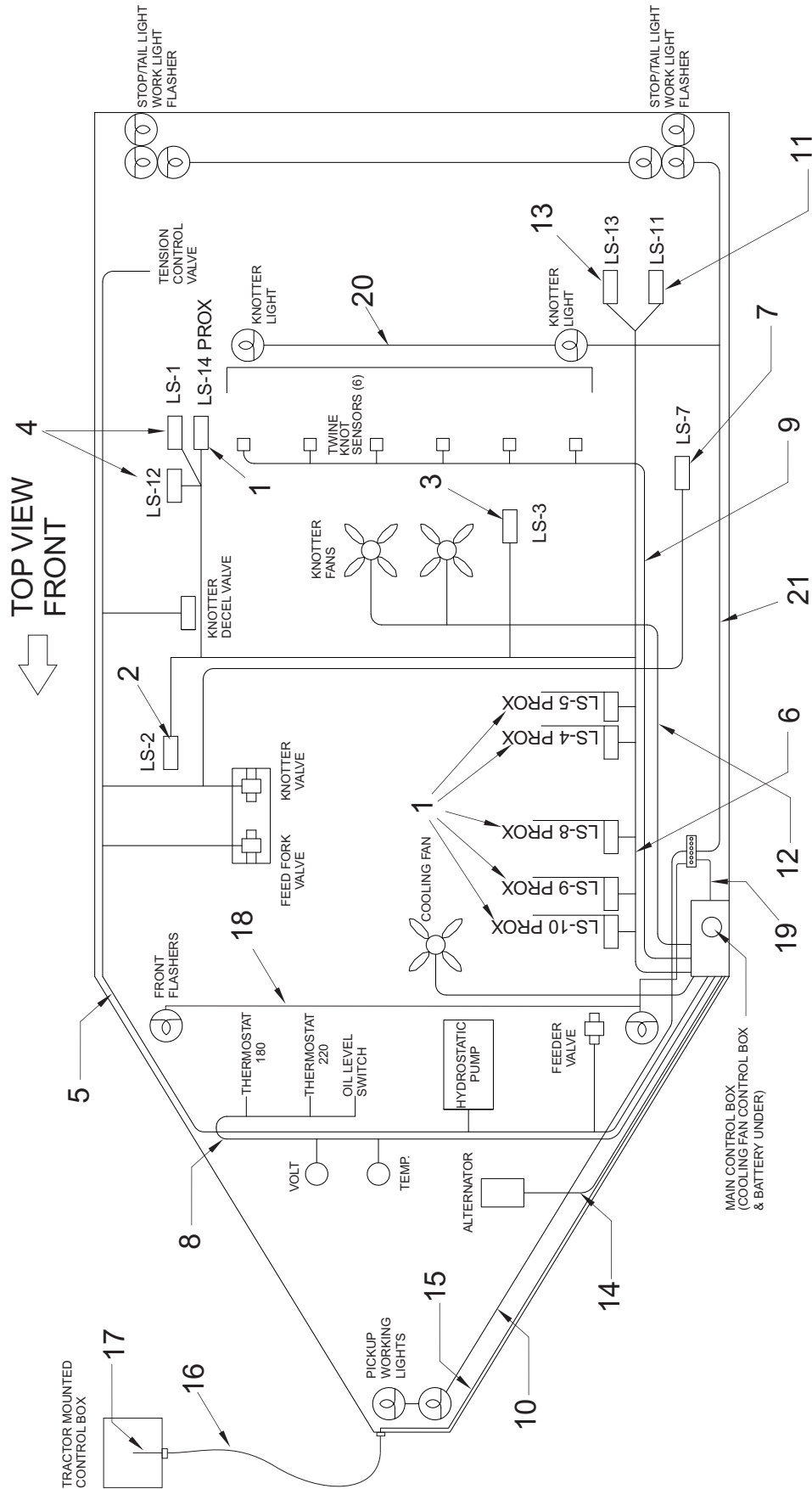
**PICKUP LIFT CYLINDER COMPONENTS**



## PICKUP LIFT CYLINDER COMPONENTS

REF NO.	PART NO.	DESCRIPTION	QTY. USED
1	HYP000FA2P	CLEVIS PIN	2
2	HYP0FA25-C	TUBE ASSEMBLY	1
3	HYP000FA2N	PISTON LOCK NUT	1
4	HYP00FA2PO	PISTON O-RING ASSEMBLY	1
5	HYP000FA2V	PISTON	1
6	HYP00FA2SO	SMALL O-RING	1
7	HYP000FA2M	STEEL WASHER	1
8	HYP0FA25-S	SHAFT ASSEMBLY	1
9	HYP000FA2O	O-RING	1
10	HYO00FA2US	SHAFT PACKING (SET)	1
11	HYP000FA2E	PISTON HEAD	1
12	HYP00FA2LR	HEAD LOCKING RING	1
13	HYP000FA2G	PACKING GLAND	1
14	HYP00FA2RW	ROD WIPER	1
15	SCS1024075	10-24 X 3/4 NC SOC. HD CS	4
	HYP000FA2T	PACKING GLAND BOLT W/LKWSR	4
	SEL0001505	SEAL KIT F/CYL0000205	A/R
	CYL0000205	PICK-UP LIFT CYLINDER COMPLETE	

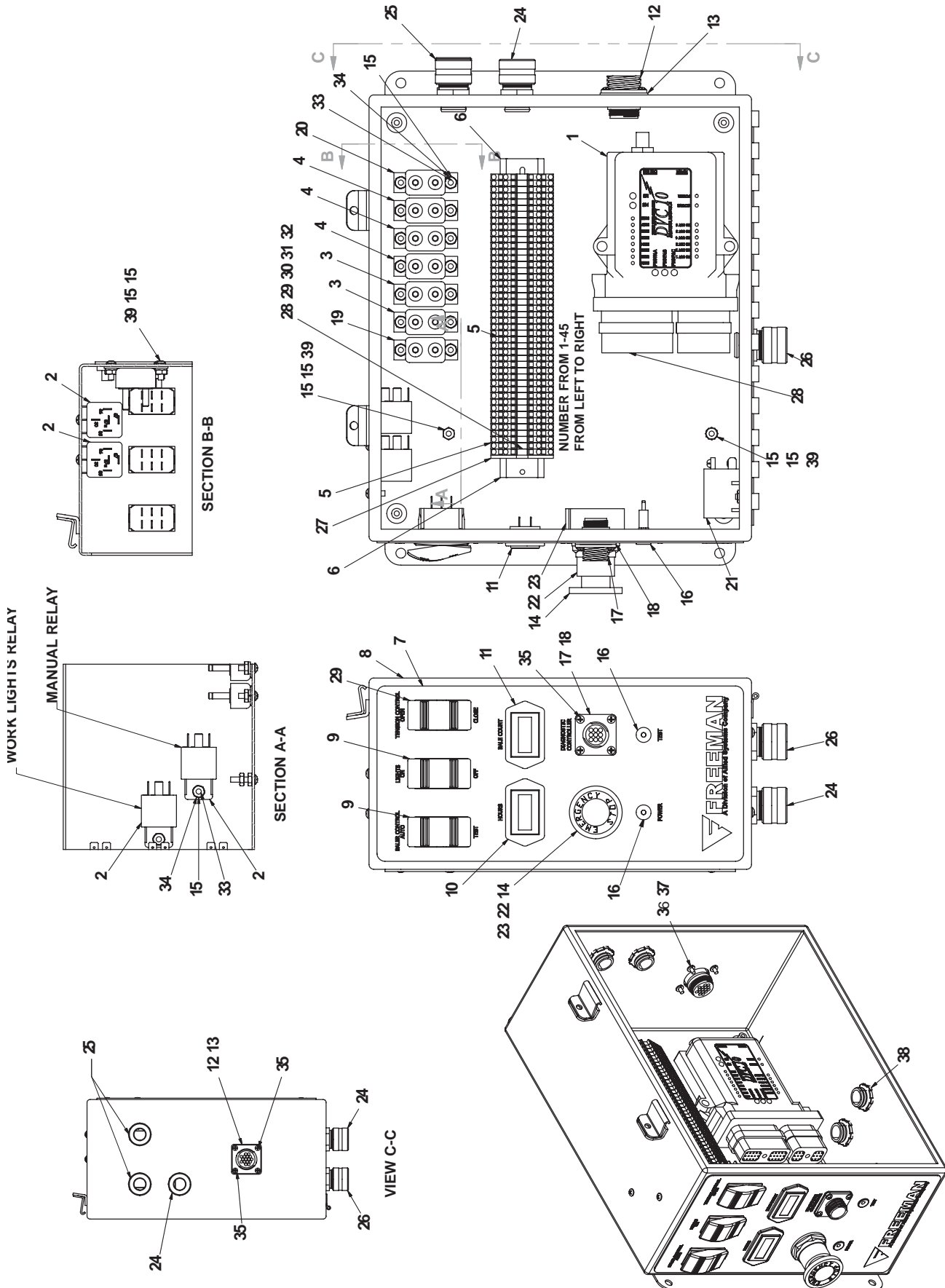
### WIRE HARNESS LOCATIONS



## WIRE HARNESS LOCATIONS

REF NO.	PART NO.	DESCRIPTION	QTY. USED	REF NO.	PART NO.	DESCRIPTION	QTY. USED
1	901890	SWITCH ASSY,PROX;*A; 1592D	6	9	901923	WIRE HARNESS;KNOTTER SENSOR	1
2	901865	SWITCH ASSY;*B; KNOTTER SAFETY	2	10	HRN0021076	WIRING HARN P/U WORK LIGHT	1
	SWI0CH5079	LIMIT SWITCH 4 POST		11	901866	SWITCH ASSY;*B; KNOTTER TRIP	1
	CNR0000193	CONNECTOR,			SWI0CH5079	LIMIT SWITCH 4 POST	
	ARM0CH5084	LEVER ARM 3"			CNR0000193	CONNECTOR,	
3	901868	SWITCH ASSY;*B; FULL CHARGE SET	1		ARM0CH5001	1-1/2" LIMT SWITCH ROLLER	
	SWI0CH5079	SWITCH, LIMIT; E50AR1 (SINGLE POLE)		12	901919	WIRE HARNESS;FAN RELAY TO MOTOR	1
	CNR0000193	CONNECTOR, CORD; CGB193 (.25-.38)		13	901867	SWITCH ASSY;YOKE SAFETY	1
	ARM0CH5001	1-1/2" LIMT SWITCH ROLLER ARM			SWI0CH5079	LIMIT SWITCH -4 POST	1
4	901864	SWITCH ASSY;*B; KNOTTER SAFETY	1		CNR0000193	1/2" CORD CONNECTOR (.250-.375)F2	1
	SWI0CH5079	LIMIT SWITCH 4 POST			ARM0CH5084	3" LEVER ARM W/3/4" ROLLER	1
	CNR0000193	CONNECTOR,		14	901917	WIRE HARN;ALTINATOR BATT/CNTR BX	1
	ARM0CH5084	LEVER ARM 3"		15	901894	WIRE HARNESS;REMOTE TO CNTRL BX	1
5	901924	WIRE HARNES; OUTPUT	1	16	901916	WIRE HARNESS;DRAWBAR -CNTRL BX	1
6	901925	WIRING HARNESS,INPUTS;1592D	1	17	901840	WIRE HARNESS;*B; REMOTE BOX	1
7	901869	SWITCH ASSY;KNOT REVERSE SAFETY	1	18	HRN0023541	WIRE HARNESS;YLW INDICATOR LIGHT	1
	SWI0CH5079	LIMIT SWITCH 4 POST		19	HRN0024698	WIRE HARNESS;LIGHT SWITCH TO JB-51	
	CNR0000193	CONNECTOR,		20	HRN0029820	WIRE HRN KNT WORK LIGHT-AF/95	1
	ARM0CH5084	LEVER ARM 3"		21	HRN0024294	WIRE HARNESS;*D; REAR LIGHT,	1
8	901927	WIRE HARNESS; GAUGE PANEL	1				

**CONTROL PANEL ASSEMBLY**

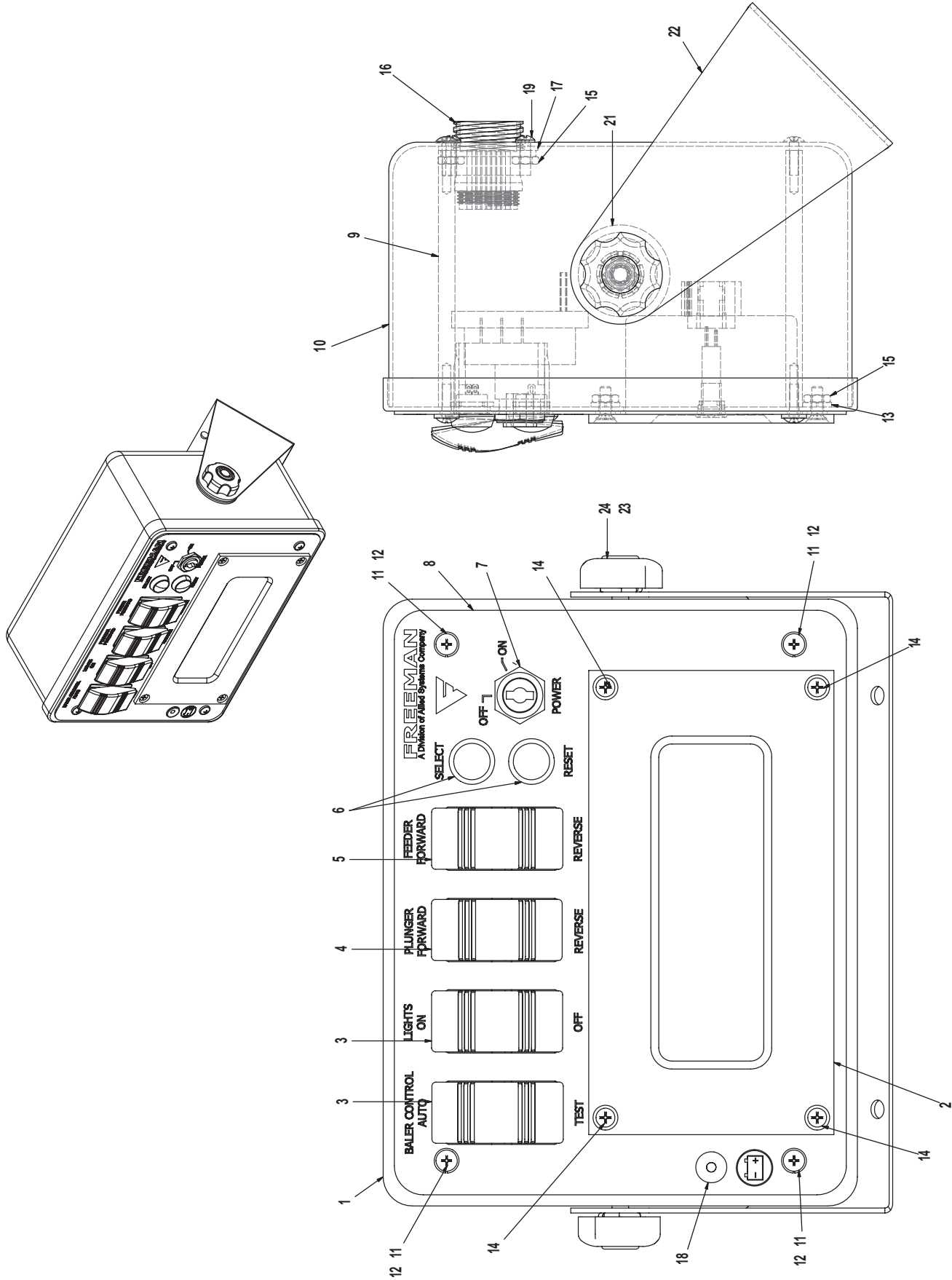




## CONTROL PANEL ASSEMBLY

REF NO.	PART NO.	DESCRIPTION	QTY. USED	REF NO.	PART NO.	DESCRIPTION	QTY. USED
1	2305473W	CONTROL MODULE	1	22	245511	OPERATOR, PUSH-PULL	1
2	R4510197	RELAY	2	23	27318	CONTACT BLOCK	1
3	200274	CIRCUIT BREAKER	2	24	CNR0000193	CONNECTOR, CORD	2
4	CBK0005510	CIRCUIT BREAKER	3	25	CNR0000195	CONNECTOR, CORD	2
5	239317	TERMINAL BLOCK	45	26	220577	CONNECTOR, CORD	1
6	22628	RAIL, DIN	10"	27	232238	END PLATE	1
7	901874	DECAL	1	28	901910	WIRE HARNESES	1
8	901872	BOX	1	29	SWI0000008	SWITCH, ROCKER	1
9	SWI0000003	SWITCH, ROCKER	2	30	232244	CARD, MARKER	1
10	GAG0001133	HOURMETER	1	31	234513	CARD, MARKER	1
11	BCO0001131	BALE COUNTER 12V STYLE-RESET	1	32	235617	CARD, MARKER	1
12	901894	WIRE HARNESS	1	33	R13809457	MACHINE SCREW	18
13	SEL0816652	SEAL	1	34	223099	LOCKWASHER	18
14	245512	BUTTON	1	35	00100738	MACHINE SCREW	8
15	R13809521	HEX NUT	22	36	WLK0000600	#6 LOCKWASHER - PLATED	8
16	LITXVLA124	LED INDICATOR LAMP 12 VDC	2	37	R13809520	HEX NU	4
17	901895	WIRE HARNESS	1	38	NMS0000150	CONDUIT LOCKNUT 1/2 -STEEL	5
18	SEL0816654	AMP FLANGE SEAL,SHELL 13 CON BOX	1	39	R13809459	MACHINE SCREW	2
19	CBK0014540	40 AMP 12VDC CIRCUIT BREAKER	1	40	253720	CORDSET	1
20	CBK0005515	CIRCUIT BREAKER	1	41	232242	CARD, MARKER	1
21	252619	RELAY	1	42	232243	CARD, MARKER	1

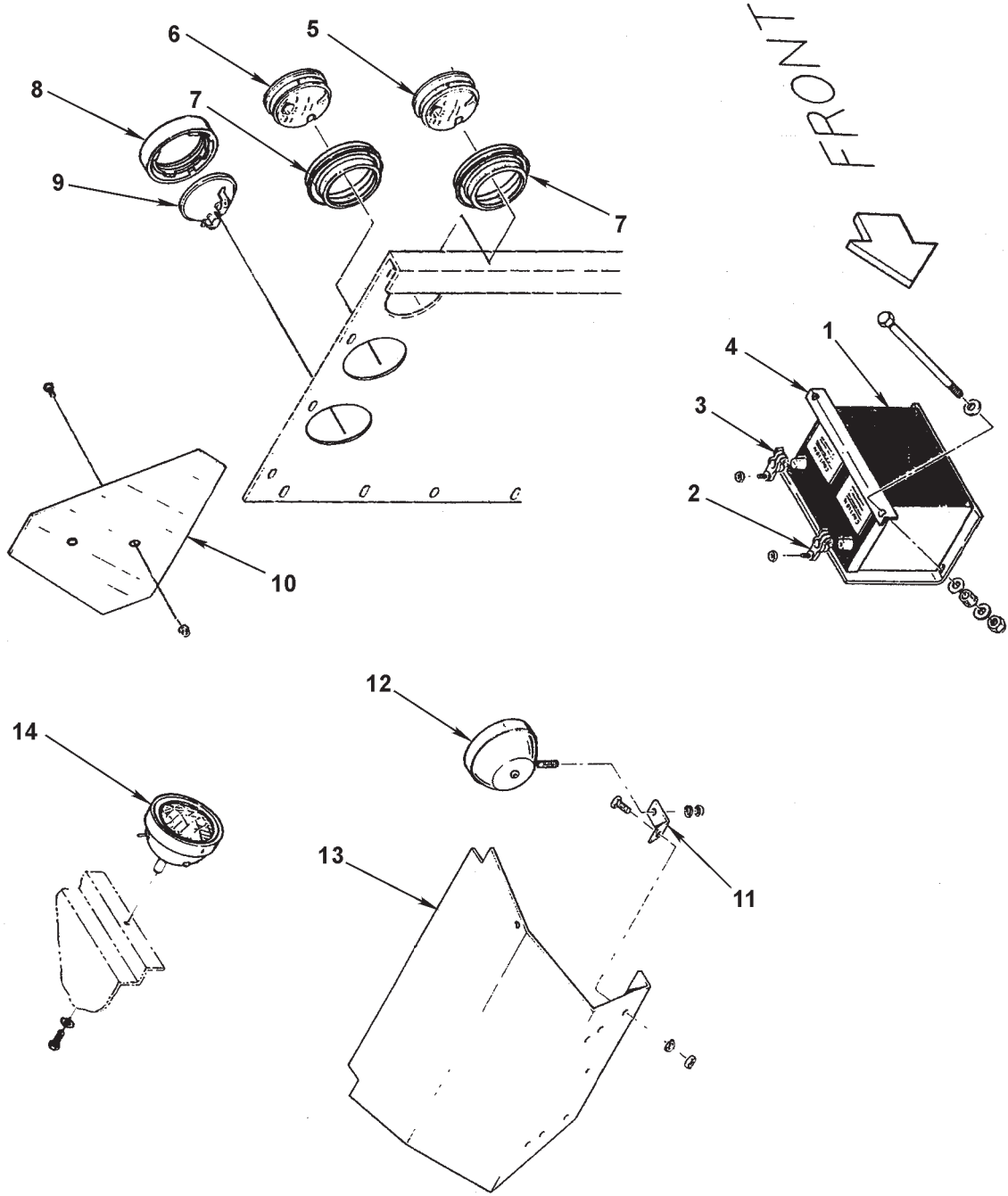
**REMOTE CONTROL ASSEMBLY**



## REMOTE CONTROL ASSEMBLY

REF NO.	PART NO.	DESCRIPTION	QTY. USED
	901825	REMOTE ASSY;*C; 1592D	
1	901823	COVER	1
2	252496	DISPLAY PLATE	1
3	SWI0000003	SWITCH,ROCKER	2
4	SWI0000007	SWITCH,ROCKER	1
5	SWI0000008	SWITCH,ROCKER	1
6	SWI0000004	SWITCH,PUSH BUTTON	2
7	SWI0005091	SWITCH,ON/OFF	1
8	901829	DECAL	1
9	901317	ROD,STANDOFF	4
10	901824	BOX	1
11	00100738	MACHINE SCREW	8
12	WLK0000600	#6 LOCKWASHER - PLATED	4
13	223099	LOCKWASHER	4
14	R13805587	MACHINE SCREW	8
15	R13809521	HEX NUT	8
16	234277	RECEPTACLE	1
17	SEL0816652	SEAL	1
18	LITXVLA124	LED INDICATOR LAMP 12 VDC	1
19	R13809457	MACHINE SCREW	4
20	NMS0002500	PEM NUT 1/4-28NF X.056	2
21	WAS5613062	WASHER,NEOPRENE .250ID X 1.50	2
22	901276	BRACKET,MOUNTING	1
23	231668	CAPSCREW	2
24	KOB0000102	KNOB	2

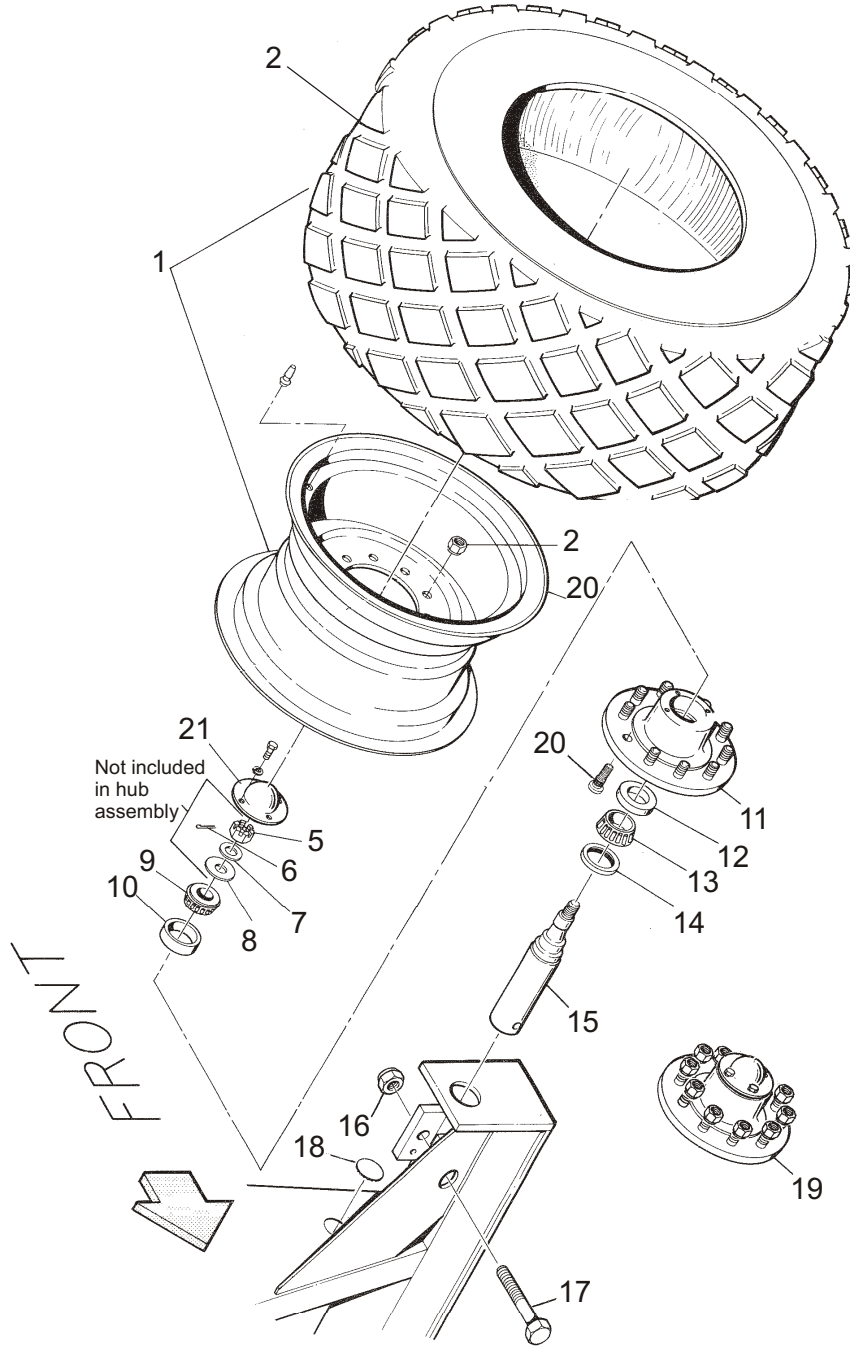
**BATTERY AND LIGHTS ASSEMBLY**



## BATTERY AND LIGHTS ASSEMBLY

REF NO.	PART NO.	DESCRIPTION	QTY. USED	REF NO.	PART NO.	DESCRIPTION	QTY. USED
1	BAT0240060	BATTERY-12V GROUP 24-DRY CHARG	1	9	LIT7072901	LIGHT SEALED BEAM 12 VOLT	2
	F 0006551	BOLT 3/8 NC X 12 GRD 5 HEX PLTD	2	10	SGN0024006	SIGN #2 SMV PLASTIC	1
	WCT0000375	WASHER 3/8 FLAT	6		NMS0000117	NUT 5/16 NC FLG WHIZ LOCK	1
	F 0006328	GROMMET-BATTERY HOLD DOWN	2		SMS0000177	BOLT 5/16-18 X FLG WHIZ PLATED	1
	NCE0000375	LOCKNUT 3/8 NC NYLON INSERT PLTD	2	11	BKT0016005	FRONT WORK LIGHT BRACKET	2
2	BAT0000038	BATTERY TERMINAL -POS	1		SCC0050002	BOLT 1/2-13 X 1 GRD 5 HEX	2
	NCE0000313	5/16 NC ESNA NUT PLTD	1		NCH0000500	NUT 1/2 HEX	2
3	03-204	BATTERY TERMINAL - NEG	1		WLK0000500	WASHER 1/2 S/T LOCK	2
	NCE0000375	LOCKNUT 3/8 NC NYLON INSERT PLTD	1	12	LIT0020171	WORK LIGHT ASSY HALOGEN 200/330	2
4	BKT0015916	BATTERY HOLD DOWN BRACKET	1		WLK0000500	WASHER 1/2 S/T LOCK	2
5	LIT1410112	LIGHT YELLOW 12 VOLT SEALED	4		NFH0000500	1/2 NF HEX NUT PLATED	4
6	LIT1410122	LIGHT RED 12 VOLT SEALED	2	13	BKT0021619	MOUNT BRACKET AND SHIELD	1
7	GRM0127469	LIGHT GROMMET 12 VOLT SEALED	6	14	LIT0029888	KNOTTER WORK LIGHT	2
8	LIT7072902	PROTRUDING RING F/ LIT7072901	2		SCC0000313	BOLT 3/8-16 X 1-1/4 GRD 5 HEX	2
					WCT0000375	WASHER 3/8 FLAT	2

**TIRE AND WHEEL ASSEMBLY**



## TIRE AND WHEEL ASSEMBLY

REF NO.	PART NO.	DESCRIPTION	QTY. USED
1	TIR000001	TIRE/WHEEL, WHITE	2
2	TIR2312610	TIRE-GALAXY FOR 1592 + 2/97	2
3	WHL1029201	WHEEL - NO BRAKES -1592	2
	NMS0005708	SWIVEL FLANGE CAP NUT	20
	19-109	VALVE STEM	2
4	HUB0909915	HUB CAP	2
5	NSL0013750	1-3/8 SLOTTED NUT	2
6	COT0000807	3/16 X 2-1/2 COTTER PIN	2
7	WCT0137500	WASHER 1-3/8 FLAT	2
8	ZZ 0000238	MACH. BSNG 1-3/8 X 2-1/2 X 10 GA	2
9	BRG0000455	OUTER BEARING CONE	2
10	BRG0000453	BEARING CUP	2
11	HUB2871660	HUB W/INNER-OUTER BEARING-CAP	2
	STD9530331	WHEEL STUD	20
12	F 0007034	BEARING CUP	2
13	F 0007033	BEARING CONE	2
14	SEL0033772	GREASE SEAL	2
15	SPN0023108	WHEEL SPINDLE	2
16	NCE0012500	LOCKNUT ESNA 1-1/4 NC PLTD	2
17	SCC0001322	BOLT 1-1/4 NC X 8 GRD 5 HEX PLTD	2
18	PLU0051056	2-1/4 CHROME BUTTON HEAD PLUG	2
19	HUB0001592	HUB ASSY, COMPLETE	2
20	NMS0005708	SWIVEL FLANGE CAP NUT-WHEEL	20

## PARTS INDEX

Part No.	Description	Page No.	Part No.	Description	Page No.
22628	RAIL, DIN	138	900912	TWINE FINGER SHEAR LEVER	90
27318	CONTACT BLOCK	138	901276	BRACKET MOUNTING	142
28991	HOSE TENSION MAN TO BOT CYL. SUP	112,116	901317	ROD STANDOFF	140
200274	CIRCUIT BREAKER	138	901450	PLUNGER FRAME	12
200603	WASHER, LOCK; 7/16	6	901520	FRAME ASSY;1592 DBL KNOTTER	6
200762	WASHER, HARD; 5/8	12	901535	GROOVE CLEANER	12
201567	WASHER, LOCK; 3/8 REG	12	901545	LUG WLDMT,CYL;	12
201607	CAPSCREW; 3/8 NC X 1 1/2 GR5	12	901555	LINK FEED FORK CRANK SHAFT	64
204770	RING, SNAP	64	901560	MOUNTING WLDMT,FEED LINK	64
209083	CONN. 6M O-RING X 4M JIC STR	102	901570	MOUNTING WLDMT,CYL,*A; 1592D	10
209089	3/4 JIC PLUG	102	901585	PL,LH GUIDE	64
209215	CONN. 3/4 JIC X 3/4 O-RING STR THD	100	901586	PL,RH GUIDE	66
209463	BRNCH TEE 3/4 M X 12M JIC X 12 M JIC	112	901589	PL,TOP	6
209488	ELBOW 1/2 JIC X 1/2 O-RING 90 DEG.	100	901598	TOP,HAY DOG	8
209490	3/4 JIC X 3/4 O-RING 90* ELBOW	110	901599	CENTER REAR LINER	14
209501	3/8 X 1/4 STEEL PIPE BUSHING	58	901622	PL,FACE,CENTER	12
209506	BUSHING 3/4 NPT X 1/2 NPT STEEL	100	901623	PL,FACE,END	12
209745	O-RING	110	901628	PL,SILAGE BLOCK	16
209755	3/8 JIC X 3/8 NPT MALE CONN	58	901629	PL,LH KNIFE	16
209805	CONN. 1/2 JIC X 1/2 O-RING STR THD	100	901632	PL,WIPER	12
209959	HOSE-FEED KNOTER MANIFOLD RTRN	106,114	901633	PL,RH KNIFE	16
212097	1/4" JIC CAP	100	901634	SHIM 18GA	6
212255	3/16 X 2 COTTER PIN PLATED	58	901637	SHIM 16GA	6
212435	HOSE-LEFT MAKE UP CYLINDER 54"	100	901638	SHIM 20GA	6
212763	NUT3/8 JIC	100	901658	LH REAR LINER	14
215515	CAP 1/2 JIC	100	901659	P/UP IDLER SPROCKET SPACER	56
218584	REDUCER 1/2 JIC X 1/4 JIC	100	901690	BASE WLDMT,SPROCKET	56
219382	TAPE, SAFETY WALK 4 WIDE	30	901729	DOUBLE KNOTTER NEEDLE	74
220577	CONNECTOR CORD	138	901763	BAR,BOTTOM	6
223427	WASHER, FLAT	12	901764	BAR,TOP	6
229345	PLUG 1/2 O-RING HEX HD PLTD	100	901823	COVER	140
229543	HOSE-RETURN FEEDER VALVE	100,120	901824	BOX	140
232238	END PLATE	138	901825	REMOTE ASSY,*C; 1592D	140
232242	CARD, MARKER	140	901829	DECAL	140
232243	CARD, MARKER	140	901840	WIRE HARNESS,*B; REMOTE BOX	136
232244	CARD, MARKER	138	901864	SWITCH ASSY,*B; KNOTTER SAFETY	136
234277	RECEPTACLE	140	901865	SWITCH ASSY,*B; KNOTTER SAFETY	136
234513	CARD, MARKER	138	901866	SWITCH ASSY,*B; KNOTTER TRIP	136
238226	HOSE-CONTR. VLV TO 10 PRES GAUGE	100	901867	SWITCH ASSY;YOKE SAFETY	136
239317	TERMINAL BLOCK	138	901868	SWITCH ASSY,*B; FULL CHARGE SET	136
241590	HOSE ASSY	102	901869	SWITCH ASSY;KNOT REVERSE SAFETY	136
245511	OPERATOR PUSH PULL	138	901872	BOX	138
245512	BUTTON	138	901874	DECAL	138
247763	WASHER, LOCK; 9/16 INT TOOTH PLAIN	58	901876	TINE ASSY,FEED FORK,*C; 1592D	64
252496	DISPLAY PLATE	140	901888	SENSOR TRIGGER	12
252619	RELAY	138	901890	SWITCH ASSY,PROX,*A; 1592D	136
252630	JACK (INCLUDES HANDLE)	6	901890	SWITCH ASSY,PROX	78
253019	HANDLE FOR JACK	6	901894	WIRE HARNESS;REMOTE TO CNTRL BX	136,138
253386	ROLLER, V-GROOVE	12	901895	WIRE HARNESS	138
253391	SPROCKET IDLER	56	901900	FACE WLDMT,LOWER	12
253720	CORDSET	140	901910	WIRE HARNESS	138
253863	CLEVIS PIN W/COTTER PIN	10	901916	WIRE HARNESS;DRAWBAR -CNTRL BX	136
253910	SEAL KIT F/ FLOW CONTROL VLV	108	901917	WIRE HARN;ALTINATOR BATT/CNTR BX	136
253911	PLUG	108	901919	WIRE HARNESS;FAN RELAY TO MOTOR	136
253912	O-RING	108	901923	WIRE HARNESS;KNOTTER SENSOR	136
253913	PLUG	108	901924	WIRE HARNES; OUTPUT	136
253914	O-RING	108	901925	WIRING HARNESS,INPUTS;1592D	136
253915	DIRECTIONAL VALVE WAS VLV90	108	901927	WIRE HARNESS; GAUGE PANEL	136
253916	SEAL KIT FOR DIRECTIONAL VLV	108	03-204	BATTERY TERMINAL - NEG	142
253917	DIN CONNECTOR	108	04-105	06-130,INDEX TRIP,RETURN	88
253918	COIL	108	06-125	3/8 CLEVIS	50
253919	NUT	108	06-126	3/8 CLEVIS PIN	50
900014	LH KNOTTER COVER SUPPORT	30	11-262	1" SPACER F/JUNC BLOCK	124
900015	RH KNOTTER COVER SUPPORT	30	18589W	CAPSCREW;ASC-508; 1/2 UNC X 2.25	16
900072	SHAFT	18	19-109	VALVE STEM	144
900179	SPRING,HAY DOG	8	20-112	MOTOR MOUNT/STOP PAD	20
900329	HITCH	6	2305473W	CONTROL MODULE	138
900333	PL,MTG;*A; .25PL X 1.5 X 9.25	76	ACM0800087	ACCUMULATOR 1 GAL CHARGED	100
900340	MOUNTING WLDMT	18	ALT1002116	ALTERNATOR	46
900343	SPACER	18	ANC0016029	PICKUP LIFT SPRING ANCHOR	54
900344	BAR,LINK	18	ANC0023322	LEFT FRONT SHIELD ANCHOR	24
900380	ARM ,RH	64	ANC0023403	RIGHT FRONT SHIELD ANCHOR	24
900381	ARM ,LH	64	ANC0023506	FRONT SHIELD ANCHOR	24
900400	SCRAPER WLDMT,*A; 1592D AUGER	56	ANC037660B	FEED CHUTE LINER ANCHOR	68









### PARTS INDEX CONT.

Part No.	Description	Page No.	Part No.	Description	Page No.
GRD0022492	CENTER FEEDER GUARD	66	GRD0022492	CENTER FEEDER GUARD	66
GRD0025282	WIND GRD 98-1/2" -F/93" STD PU	50	GRD0025282	WIND GRD 98-1/2" -F/93" STD PU	50
GRD0224960	LH OUTSIDE FEEDER GUARD	66	GRD0224960	LH OUTSIDE FEEDER GUARD	66
GRD0224961	RH OUTSIDE FEEDER GUARD	66	GRD0224961	RH OUTSIDE FEEDER GUARD	66
GRD0233110	L. H. NEEDLE YOKE GUARD	22	GRD0233110	L. H. NEEDLE YOKE GUARD	22
GRD0233111	R. H. NEEDLE YOKE GUARD	22	GRD0233111	R. H. NEEDLE YOKE GUARD	22
GRD0505568	PICKUP DRIVE CHAIN GUARD	70	GRD0505568	PICKUP DRIVE CHAIN GUARD	70
GRD0506125	GUARD - FAN OIL COOLER	124	GRD0506125	GUARD - FAN OIL COOLER	124
GRD0506144	PICKUP DRIVE SHAFT GUARD	56	GRD0506144	PICKUP DRIVE SHAFT GUARD	56
GRD2521300	LFT OUTSIDE CHUTE GRD-MODIFIED	66	GRD2521300	LFT OUTSIDE CHUTE GRD-MODIFIED	66
GRD2521301	RHT OUTSIDE CHUTE GRD-MODIFIED	66	GRD2521301	RHT OUTSIDE CHUTE GRD-MODIFIED	66
GRL0023379	OIL COOLER GRILL	124	GRL0023379	OIL COOLER GRILL	124
GRM0002285	7/8ID 1-1/8OD 1/16GRV GROMMET	30	GRM0002285	7/8ID 1-1/8OD 1/16GRV GROMMET	30
GRM0127469	LIGHT GROMMET 12 VOLT SEALED	142	GRM0127469	LIGHT GROMMET 12 VOLT SEALED	142
GSK0000RG4	GASKET - FILTER HOUSING	124	GSK0000RG4	GASKET - FILTER HOUSING	124
GUD0018010	P/U SHIELD GUIDE ASSEMBLY	54	GUD0018010	P/U SHIELD GUIDE ASSEMBLY	54
GUD0018011	P/U SHIELD GUIDE ASSEMBLY	54	GUD0018011	P/U SHIELD GUIDE ASSEMBLY	54
GUD0018012	P/U SHIELD GUIDE ASSEMBLY	54	GUD0018012	P/U SHIELD GUIDE ASSEMBLY	54
GUD037663A	PIPE;F/TWINE	8	GUD037663A	PIPE;F/TWINE	8
GUD2527800	L. H. WIND GUARD MOUNT GUIDE	50	GUD2527800	L. H. WIND GUARD MOUNT GUIDE	50
GUD2527801	R. H. WIND GUARD MOUNT GUIDE	50	GUD2527801	R. H. WIND GUARD MOUNT GUIDE	50
HAN0000150	PLATED DOOR HANDLE	54	HAN0000150	PLATED DOOR HANDLE	54
HAN0000817	CHROME GRAB HANDLE-	32	HAN0000817	CHROME GRAB HANDLE-	32
HAN0017239	HANDLE F/TWINE BOX LID	28	HAN0017239	HANDLE F/TWINE BOX LID	28
HAN6210603	LIFT-N-LATCH HANDLE	22	HAN6210603	LIFT-N-LATCH HANDLE	22
HNG0000810	HINGE FOR TWINE BOX (PAIR)	28	HNG0000810	HINGE FOR TWINE BOX (PAIR)	28
HNG0023458	SHEAVE FRONT SHIELD HINGE	32	HNG0023458	SHEAVE FRONT SHIELD HINGE	32
HNG0023485	HINGE	34	HNG0023485	HINGE	34
HNG0233390	L. H. LOWER DOOR HINGE	22	HNG0233390	L. H. LOWER DOOR HINGE	22
HNG1598500	L. H. PLUNGER COVER HINGE SECT	30	HNG1598500	L. H. PLUNGER COVER HINGE SECT	30
HNG1598501	R. H. PLUNGER COVER HINGE SECT	30	HNG1598501	R. H. PLUNGER COVER HINGE SECT	30
HNG1598600	L. H. PLUNGER COVER HINGE SECT	30	HNG1598600	L. H. PLUNGER COVER HINGE SECT	30
HNG1598601	R. H. PLUNGER COVER HINGE SECT	30	HNG1598601	R. H. PLUNGER COVER HINGE SECT	30
HOS0015761	HOSE TENS CONTROL CYL	112,118	HOS0015761	HOSE TENS CONTROL CYL	112,118
HOS0015762	HOSE TENS CONTROL CYL	112,118	HOS0015762	HOSE TENS CONTROL CYL	112,118
HOS0015874	PLUNGER CYL HOSE-6000PSI	10,100,106,110	HOS0015874	PLUNGER CYL HOSE-6000PSI	10,100,106,110
HOS0016624	HOSE-VALVE MANIFOLD PILOT	100,104,106,110	HOS0016624	HOSE-VALVE MANIFOLD PILOT	100,104,106,110
HOS0016649	HOSE-RETURN FEEDER VALVE	110,122	HOS0016649	HOSE-RETURN FEEDER VALVE	110,122
HOS0016658	HOSE-PICKUP LIFT SUPPLY	58	HOS0016658	HOSE-PICKUP LIFT SUPPLY	58
HOS0020543	HYDRAULIC HOSE	100,106	HOS0020543	HYDRAULIC HOSE	100,106
HOS0020760	PICKUP LIFT CYL HOSE	58	HOS0020760	PICKUP LIFT CYL HOSE	58
HOS0020947	HOSE-TC STYLE TENS CYL	112,116	HOS0020947	HOSE-TC STYLE TENS CYL	112,116
HOS0020948	HOSE-TC STYLE TENS CYL	112,118	HOS0020948	HOSE-TC STYLE TENS CYL	112,118
HOS0022137	HOSE-CONTRL VALVE TO DUMP VALVE	100,104,124	HOS0022137	HOSE-CONTRL VALVE TO DUMP VALVE	100,104,124
HOS0023435	HOSE-FEED KNOTTER MNFLD RETURN	100,120	HOS0023435	HOSE-FEED KNOTTER MNFLD RETURN	100,120
HOS0023438	HOSE-FEED FORK MOTOR	106,112	HOS0023438	HOSE-FEED FORK MOTOR	106,112
HOS0023451	MAKE-UP CYL BASE-FDR LEG BH	10,100,110	HOS0023451	MAKE-UP CYL BASE-FDR LEG BH	10,100,110
HOS0023452	HOSE-RH MAKE UP CYLINDER BASE	110	HOS0023452	HOSE-RH MAKE UP CYLINDER BASE	110
HOS0023455	HOSE-PRESSURE SWITCH	110	HOS0023455	HOSE-PRESSURE SWITCH	110
HOS0023460	HOSE-ACCUMULATOR DISCHARGE	100,106	HOS0023460	HOSE-ACCUMULATOR DISCHARGE	100,106
HOS0023488	HOSE-PUMP SUCTION	100,104,120	HOS0023488	HOSE-PUMP SUCTION	100,104,120
HOS0023494	HOSE-TENSION PUMP SUCTION	46,116,120	HOS0023494	HOSE-TENSION PUMP SUCTION	46,116,120
HOS0024293	LONG P/U LIFT HSE	58	HOS0024293	LONG P/U LIFT HSE	58
HOS0024887	PLUNGER CYLINDER HOSE	10,100,104,110	HOS0024887	PLUNGER CYLINDER HOSE	10,100,104,110
HOS0024889	PLUNGER CYLINDER ROD END HSE	10,100,104,110	HOS0024889	PLUNGER CYLINDER ROD END HSE	10,100,104,110
HOS0024973	HOSE-PLUNGER VALVE	100,104	HOS0024973	HOSE-PLUNGER VALVE	100,104
HOS0024980	HOSE-PRESSURE RETRACE	100,104	HOS0024980	HOSE-PRESSURE RETRACE	100,104
HOS0024980	HOSE-PRESSURE RETRACE	104	HOS0024980	HOSE-PRESSURE RETRACE	104
HOS0025038	HOSE-TENSION REGULATOR TO TANK	116,120	HOS0025038	HOSE-TENSION REGULATOR TO TANK	116,120
HOS0025040	HOSE-PUMP CASE DRAIN-CK & RLF	104	HOS0025040	HOSE-PUMP CASE DRAIN-CK & RLF	104
HOS0028188	HOSE-CONT. VAL TO 10M PRESS. GAG	104	HOS0028188	HOSE-CONT. VAL TO 10M PRESS. GAG	104
HOS0032166	FEEDER MANIFOLD PRESSURE HOSE	100,104,108,110	HOS0032166	FEEDER MANIFOLD PRESSURE HOSE	100,104,108,110
HOS0032167	HOSE PMP-FDR VLV PRESSURE PORT	100,104,110	HOS0032167	HOSE PMP-FDR VLV PRESSURE PORT	100,104,110
HOS0035162	HOSE- PUMP SUCTION	100,106,120	HOS0035162	HOSE- PUMP SUCTION	100,106,120
HOS036689A	FEEDER VLV TO FEEDER MOTOR HOSE	100,110	HOS036689A	FEEDER VLV TO FEEDER MOTOR HOSE	100,110
HOS036690A	HOSE TENSION PUMP	48,116	HOS036690A	HOSE TENSION PUMP	48,116
HOS036692A	HOSEKNOTTER MANIFOLD TANK PORT	110,120	HOS036692A	HOSEKNOTTER MANIFOLD TANK PORT	110,120
HOS036693A	HOSE-OIL COOLER BYPASS	100,104,120	HOS036693A	HOSE-OIL COOLER BYPASS	100,104,120
HOS036695A	TEN MANIFOLD TO BOT CYL.RET HOSE	112,116	HOS036695A	TEN MANIFOLD TO BOT CYL.RET HOSE	112,116
HOS036697A	TEN MANIFOLD TO RH CYL SUP HOSE	118	HOS036697A	TEN MANIFOLD TO RH CYL SUP HOSE	118
HOS036698A	HOSE TENSION MAN TO RH CYL RET	112,114,116	HOS036698A	HOSE TENSION MAN TO RH CYL RET	112,114,116
HOS036699A	HOSE TENSION MANIFOLD RETURN	112,114,116	HOS036699A	HOSE TENSION MANIFOLD RETURN	112,114,116
HOS036700A	HOSE TENSION MANIFOLD SUPPLY	112,114,116	HOS036700A	HOSE TENSION MANIFOLD SUPPLY	112,114,116
HOS036701A	HOSE TENSION PRESSURE GAUGE	112,114,116,124	HOS036701A	HOSE TENSION PRESSURE GAUGE	112,114,116,124



**PARTS INDEX CONT.**

Part No.	Description	Page No.	Part No.	Description	Page No.
LEV036393B	TWINE TUCKER FOLLOWER LEVER		94 MNT037071B	KNOTTER TRIP WEAR LINER MNT	98
LEV2527900	L.H. MNTD WINDGRD SPRING LEVER		50 MNT037268B	LS-3 LIMIT SWITCH MOUNT	90
LEV2527901	R.H. MNTD WINDGRD SPRING LEVER		52 MNT037317B	DOUBLE KNOTTER LS-1 MOUNT	76
LIN0017159	RESET LEVER WEAR LINER		98 MNT037330D	KNOTTER SLOWDOWN VALVE MOUNT	108
LIN036840D	PL,CNTR FNT LINER		14 MNT037662A	BRACKET	8
LIN036841D	RIGHT FRONT LINER		14 MNT037717A	FAN SHROUD SPRING MOUNT	30
LIN037467D	LEFT BTM CHAMBER LINER		16 MNT037719B	SOLENOID VALVE MOUNT	68
LIN037468D	CENTER BOTTOM CHM LINER		16 MNT0505622	MOUNT-SOLENOID VALVE	100
LIN037469D	RIGHT BOTTOM CHAMBER LINER		16 MNT2527600	L.H. OPTIONAL MNTD WINDGRD MNT	50
LIN037632B	RH REAR TOP LINER		14 MNT2527601	R.H. OPTIONAL MNTD WINDGRD MNT	50
LIN037661E	FEED CHUTE LINER,UHMW		68 MNT2541200	L. H. REAR SHIELD/CLOSURE PLT	22
LIT0020171	WORK LIGHT ASSY HALOGEN 200/330		142 MNT2541201	R. H. REAR SHIELD/CLOSURE PLT	22
LIT0029888	KNOTTER WORK LIGHT		144 MNT5061131	RH MOUNT, DOOR STAY	26
LIT1410112	LIGHT YELLOW 12 VOLT SEALED		142 MNT5064110	LH MOUNT, DOOR STAY	26
LIT1410122	LIGHT RED 12 VOLT SEALED		142 MTR0022706	KNOTTER FAN MOTOR W/LEADS	30
LIT7072901	LIGHT SEALED BEAM 12 VOLT		142 MTR1091102	HYDRAULIC MOTOR F/1592D	84
LIT7072902	PROTRUDING RING F/ LIT7072901		142 MTR1091104	MOTOR 40000 HP	70,100
LITXVLA124	Led Indicator Lamp 12 Vdc	138,140	MTR1121067	MOTOR-	72
LNK0015541	KNOTTER TRIP SPRING LINK		98 MTR5000211	FAN MOTOR ONLY	124
LNK0023133	FEEDER TINE LINK		60 OFL0000102	OFFSET LINK-	70,72
LNK0025281	WIND GUARD SPRING LINK		50 PAD0025218	PAD W/ HOLES FOR	94
LNK0231330	FEEDER TINE LINK ASSY		62 PCY0013464	PICKUP FINGER	52
LNK035922B	KNOTTER ANCHOR LINK		78 PCY0017501	CENTER & LH REEL PLATE	54
LOK0017500	1-3/4 LOCK COLLAR		62 PCY0017634	P/U STRIPPER MOUNT ANGLE	52
LUB0017169	LUBER TANK ONLY-1592		86 PCY0023053	PICK UP REEL PLATE	52
LUB0032982	LUBER, KNOTTER ASSY,		84 PCY0025859	P/U LEFT HAND STRIPPER	52
LUB0047200	1/8" STRAIGHT RELIEF FITTING		62 PCY0025860	P/U CENTER STRIPPER	52
LUB0083313	INJECTOR, REPLACEMENT ONLY		84 PCY0025861	P/U RIGHT HAND STRIPPER	52
LUB0833111	LUBER ASSY, MANIFOLD, 1 HOLE		82 PCY0028026	P/U FRAME - 93"	52,54,56
LUB0833116	LUBER ASSY, MANIFOLD, 6 HOLE		82 PDL0015668	LH FEED SENSOR PADDLE- 38"	88
MNF036773D	TENSION VALVE MANIFOLD		118 PDL0017210	RH FEED SENSOR PADDLE-38"	88
MNF036786E	TENSION CONTROL MANIFOLD ASSY		118 PDL0027207	RH FEED SENSOR PADDLE -36" C/O	88
MNF037492D	KNT SLOWDOWN HYD MANIFOLD ASSY		108 PDL0027208	LH FEED SENSOR PADDLE -36" C/O	88
MNF0D8639B	MOTOR CONTROL MANIFOLD BODY		108 PDL035816E	LH FEED SENSOR PADDLE,34-1/2"	88
MNT0013456	PICKUP TOOTH MOUNT		52 PIN0015507	PICKUP PIVOT PIN	54
MNT0015856	ACCUMULATOR MOUNT		102 PIN0021155	PORTABLE LADDER PIN	22
MNT0018742	SAE "AA" 2-BOLT PUMP MNT		46 PIN0023475	SIDE DOOR HINGE PIN	22
MNT0018946	CHAR LYNN 6000 MOTOR MNT -1500		72 PIN0024791	PLUNGER CYLINDER PIN	10
MNT0020255	CHANNEL	10,114	PIN00FHR44	PLUNGER SPRING PIN	98
MNT0020946	OIL COOLER FAN MOUNT		124 PIN0375125	3/8 X 1-1/4 SNAPPER PIN	54
MNT0022342	ADJUSTMENT BAR MOUNT		98 PLT0021486	BALL HITCH TOP PLATE	36
MNT0023278	DRV UNIT BELT TAKEUP		48 PLT0021487	BALL HITCH BOTTOM PLATE	36
MNT0023283	MAIN DOOR MOUNT ASSEMBLY		20 PLT0021488	CLEVIS PIN PLATE	36
MNT0023288	TENS CONTROL PUMP MNT BKT		46 PLT0022880	ADJUSTMENT PIN PLATE	98
MNT0023349	OIL COOLER MOUNT		124 PLT0367725	DRIVE PLATE	44
MNT0023391	CONTROL & FAN BOX MOUNT		24 PLT0367726	DRIVE PLATE	44
MNT0023468	TENSION PUMP MOUNT ASSY		48 PLT10951SP	SAFETY PLATE	114
MNT0023489	L DOR SUP BRC W/ BAT MNT		20 PLU0035136	PLUG, SPRING	18
MNT0024096	PICKUP LIFT CYLINDER MOUNT		58 PLU0051056	2-1/4 CHROME BUTTON HEAD PLUG	144
MNT0028883	PTO SHAFT BRG MNT-A/8-94		42 PMP0000003	AUTO LUBER PUMP	86
MNT0233030	L. H. GAS SPRING FRM MNT ASSY		20 PMP0000090	PUMP-SERIES 90	100
MNT0233031	R. H. GAS SPRING FRM MNT ASSY		20 PMP0022226	LEFT HAND PUMP	46
MNT0252940	LH REAR GAS SPG/BUMP MNT -A/92		20 PMP1111002	PUMP CONTROLLER	100
MNT0252941	RH REAR GAS SPG/BUMP MNT -A/92		20 PMP3301972	DUAL PUMP, MAIN	100
MNT036384D	LH NEEDLE YOKE MOUNT ASSY		74 PPE00000125	1/8 XCLOSE NIPPLE, STD BLK PIPE	82
MNT036385D	RH NEEDLE YOKE MOUNT ASSY		74 PPE00000750	3/4 CLOSE NIPPLE BLACK STEEL	120
MNT036396B	TWINE FINGER SHAFT BRG MNT		90 PPE0001000	1" CLOSE NIPPLE BLACK STEEL	120
MNT036396B	TWNE FINGER SHAFT BRG MNT		94 PPE0040125	1/8 STD BLK PIPE TEE	82
MNT036412D	LEFT DOUBLE KNOTTER MOUNT	76,84	PPE05000250	1/2" X 1/4" STD BLK HEX BUSH	86
MNT036413D	RIGHT DOUBLE KNOTTER MNT	76,84	PPE1250300	1/8 X 3 STD BLK PIPE NIPPLE	82
MNT036421D	LEFT KNOTTER MOTOR MOUNT		84 PPE2001500	2 X1-1/2 STD BLK HEX BUSH	120
MNT036422D	RIGHT KNOTTER MOTOR MOUNT		84 PRP0010000	PROP FOR TWINE BOX LID	28
MNT036433E	TOP SLACK PULLER MOUNT		94 PUL0000001	PULLEY 1.25 OD X .25 BORE	74,92,94
MNT036444E	LOWER SLACK PULLER UPPER MNT		92 R4510197	RELAY	138
MNT036449B	BTM SLACK PULLER SPRING MNT		92 RAL0023318	SERVICE LADDER HANDRAIL ASSY.	34
MNT036479B	DOUBLE KNOTTER CENTER BRG MNT		78 RAL0024152	SIDE RAIL ASSEMBLY	34
MNT036725B	DOUBLE KNOTTER REAR BRAKE MNT		76 RAL0024153	REAR RAIL ASSEMBLY	34
MNT036726B	DOUBLE KNOTTER FRONT BRAKE MNT		76 REL0000332	RELAY SPDT	124
MNT036736B	DOUBLE KNOTTER CAM MOUNT		78 RET0023770	PLUNGER CYL GLAND RETAINER	126
MNT036744B	LEFT LUBER MOUNT BRACKET		94 RET0023771	RETAINER, TWINE BALL	26
MNT036745B	RIGHT LUBER MOUNT BRACKET		94 RNG0000045	O-RING- MECHANICAL DRIVE PUMP	100
MNT036746D	LEFT SLACK PULLER MOUNT-		94 RNG0002219	O-RING VITON 90 DURO	126,128
MNT036747D	RIGHT SLACK PULLER MOUNT		94 RNG0002230	WEAR RING	128
MNT036748A	DOUBLE KNOTTER LS-7 MOUNT		76 RNG0002245	DURO POLYURETHANE O-RING	126

# PARTS INDEX CONT.

Part No.	Description	Page No.	Part No.	Description	Page No.
RNG0004914	PISTON RING	126	SEL0047311	SEAL KIT	86
RNG0008342	BACKUP RING	126	SEL0061234	REAR SEAL KIT	100
RNG0023161	THRUST RING	62	SEL0061236	FRONT SEAL KIT	100
RNG0023420	O-RING VITON 90 DURO	128	SEL0600652	SEAL KIT	100
RNG0030107	WEAR RING	128	SEL0816652	SEAL	138,140
RNG0170012	SEALING RING	44	SEL0816654	AMP FLANGE SEAL	138
RNG0175048	SEAL RING	44	SELOT3516	SEAL KIT F/CYL0TC3516	132
RNG0367718	RING	44	SGN0024006	SIGN #2 SMV PLASTIC	142
RNG0367720	SETTING RING	44	SHD0020822	SHIELD-10 POST JUNC. BLOCK	124
RNG0702100	RETAINING RING	44	SHD0023286	TOP LEFT SHIELD	22
RNG5160175	1-3/4"H.D.EXTERNAL SNAP RING	46	SHD0023287	TOP RIGHT SHIELD	22
ROD0000160	RH ROD END YOKE SIDE	74	SHD0023373	LEFT FAN SHIELD	124
ROD0000600	ROD END L	88	SHD0023375	RIGHT FAN SHIELD	124
ROD0001600	L. H. ROD END KNOTTER SIDE	74	SHD0023399	LOWER RIGHT FRONT SHIELD	24
ROD0015498	DRIVE BELT TAKE UP ROD	48	SHD0023412	DRIVE UNIT TOP SHIELD	32
ROD0015671	FEED SENSOR GUIDE ROD	88	SHD0023440	FLYWHEEL FRONT SHIELD BOTTOM	48
ROD0015719	CHAIN TIGHTENER ADJUSTMENT ROD	72	SHD0023442	SHEAVE FRONT LOWER SHIELD-	32,58
ROD0017217	NEEDLE YOKE DRIVE ROD	70	SHD0024071	LOWER LFT FRT SHD-A/11-90	24
ROD0023528	DOOR BUMPER ADJ. ROD BOLT	20	SHD0026246	FLYWHEEL FRT SHD TOP ASSY	48
ROD0023698	PLUNGER CYLINDER ROD	126	SHD0027342	RIGHT P/U SHIELD	54
ROD0024786	MAKE-UP CYLINDER ROD	130	SHD0027343	LEFT P/U SHIELD	54
ROD0025263	P/U BALANCE SPG ROD F/EXTEND	54	SHD0032078	LEFT REAR SHIELD	22
ROD0025329	P/U MNT WINDGRD SPG ADJUST ROD	50	SHD0032079	RIGHT REAR SHIELD	22
ROD0035594	DBLE KNTTER NDLE YOKE DRIVE ROD	74	SHD0234050	TOP FRONT SHIELD, LEFT	32
ROD037018B	TWINE FINGER DRIVE ROD	90	SHD0234051	TOP FRONT SHIELD, RIGHT	32
ROL0035115	ROLLER ASSEMBLY	18	SHD0235000	L. H. DRIVE UNIT DUST SHD	32
ROL0035138	TWINE TENSIONER ROLLER	98	SHD0235001	R.H. DRIVE UNIT DUST SHD	32
RS00010500	.5MM WASHER-WORM SHF & KNF ARM	80	SHD0235050	L.H. DRV UNIT SHIELD ASB	32
RS03451926	PIN F/TWINE HOLDER	80,82	SHD0235051	R.H. DRV UNIT SHIELD ASB	32
RS05227344	SPIRAL PIN F/KNOTTER GEARS	80	SHD0235080	L. H. SHEAVE DUST SHIELD	32
RS20061311	DOUBLE KNOTTER FRAME	80	SHD0235081	R. H. SHEAVE DUST SHIELD	32
RS20561321	DOUBLE KNOTTER CAM GEAR	80	SHD0237720	LH SIDE DUST SHD ASSY	32
RS20621360	DOUBLE KNOTTER KNIFE SUP SPACER	80	SHD0237721	RH SIDE DUST SHD ASSY	32
RS20628350	DOUBLE KNOT BILL HOOK TRIGGER	80	SHD0237730	L.H. REAR DUST SHD ASSY	32
RS20632030	DOUBLE KNOTTER JAW CAM	80	SHD0237731	R.H. REAR DUST SHD ASSY	32
RS20637724	KNIFE ARM PIN ONLY -	82	SHD0361336	UPPER FRONT SHEAVE SHIELD	32
RS20637801	DOUBLE KNOTTER WORM SHAFT ASY	80	SHD037078E	PTO SHAFT SHIELD -W/DECAL	42
RS20637832	DOUBLE KNOTTER CLEANER	80	SHD0502998	SHIELD - PICKUP CLUTCH	54
RS20637841	DOUBLE KNOTTER TWINE HOLDER	80	SHD0506642	SHIELD, PTO CLUTCH COVER	32
RS20644360	DOUBLE KNOTTER TWINE KNIFE	80	SHD2734400	LH P/U SIDE SHIELD SUPT.	54
RS20661060	DOUBLE KNOTTER CIRCLIP	80	SHD2734401	RH P/U SIDE SHIELD SUPT.	54
RS20661070	DOUBLE KNOTTER WASHER 1.3MM SS	80	SHD5076881	LH P/U BACKING SHIELD	54
RS20661080	DOUBLE KNOTTER WASHER .5MM SS	80	SHD5076890	RH P/U BACKING SHIELD	54
RS20661090	DOUBLE KNOTTER ADJ WASH .2MM SS	80	SHF0015527	SHAFT-METER WHEEL	98
RS20661120	LOCKWASHER F/KNIFE ARM PIN	82	SHF0023127	FEEDER CRANK SHAFT ASSEMBLY	60,70
RS20661130	DOUBLE KNOTTER KEY	78,84	SHF0023128	CRANK SHAFT	62
RS20661231	DOUBLE KNOTTER KNIFE ARM	80	SHF0023129	CRANK SHAFT	62
RS20661240	DOUBLE KNOTTER TWINE DISC ASSY	80	SHF0023130	LEFT BEARING SHAFT	62
RS20661260	DOUBLE KNTTER WORM GEAR PINION	80	SHF0023131	RIGHT BEARING SHAFT	62
RS20661270	DOUBLE KNOTTER BILL HOOK PINION	80	SHF0023203	SHAFT ASSY DETAIL( INC. 5-10 & 16)	62
RS20661280	DOUBLE KNOTTER BILL HOOK ASSY	80	SHF0023204	SHAFT ASSY DETAIL( INC. 5-11)	62
RS30501651	DOUBLE KNOTTER TWINE KNIFE BOLT	80	SHF0025191	P/U REEL SHAFT	52
RS33110851	DOUBLE KNOTTER NUT	80	SHF0025234	93" PICKUP DRIVE SHAFT	56
RS331112051	NUT F/KNIFE ARM PIN	82	SHF0035112	SHAFT	18
RS34262000	DOUBLE KNOTTER SPACER	80	SHF0035370	SHAFT,LH;C; 3 DIA X 5.875	64
SCR3001592	SCREEN 3" SUCTION	120	SHF0035371	SHAFT,RH;C; 3 DIA X 8	64
SEL0000028	SEAL KIT FOR VLV0000015	118	SHF0035372	SHAFT	64
SEL0000044	SEAL KIT FOR VLV0000044	118	SHF036372D	DRIVE SHAFT;*C; 1592D	90
SEL0000045	SEAL KIT FOR VLV0000045	118	SHF036390D	TWINE TUCKER -	94
SEL0000049	SEAL KIT FOR VLV0000049	118	SHF036448B	BOTTOM SLACK PULLER SHAFT	92
SEL0000051	SEAL KIT FOR VLV0000051	118	SHF036496D	SHAFT,DRIVE	64
SEL0000059	SEAL KIT FOR VLV0000059	118	SHF036672E	DOUBLE KNOTTER SHAFT	78
SEL0000063	SEAL KIT F/VLV0000063	118	SHM0000103	SHIM-1-3/8"STEEL F/KNOTTER ASSY	74
SEL0001143	ROD SEAL	128	SHM0021483	HITCH BALL SHIM	36
SEL0001182	PLUNGER CYLINDER ROD SEAL	126	SHM0023544	SHIELD SUPPORT SHIM	20
SEL0001505	SEAL KIT F/CYL0000205	136	SHM0023545	SHIELD SUPPORT SHIM	20
SEL0002006	SEAL KIT-CHECK VALVE CARTRIDGE	102,106	SHM0027993	SHIM;A; 16GA	12
SEL0003006	SEAL KIT-RELIEF VALVE CARTRIDGE	102	SHM0027994	SHIM;A; 30GA	12
SEL0010006	SEAL KIT-NEEDLE VALVE CARTRIDGE	102,104	SHM0028130	PLNGR ROD END SHIM (.015)	10
SEL0017006	SEAL KIT-PILOT CLOSE CHECK CART.	102,104	SHM0028363	PLNGR ROD END SHIM (.032)	10
SEL0019006	SEAL KIT-LOGIC VALVE CARTRIDGE	102	SHM0226040	SHIM;A; 16GA	12
SEL0024785	SEAL KIT FOR CYL0024785	130	SHM0226041	SHIM;A; 30GA	12
SEL0033772	GREASE SEAL	144	SHM036712A	DOUBLE KNOTTER SHIM-22GA	78
SEL0034823	SEAL F/HUB	52	SHM036869A	TWINE TUCKER STOP SHIM	76

## PARTS INDEX CONT.

Part No.	Description	Page No.	Part No.	Description	Page No.
SHM037359A	FLYWHEEL BRG SHIM-16GA	48	SUP0216271	RH FLYWHEEL FRM MNT SUPT-AF/87	6
SHM037360A	FLYWHEEL BRG SHIM-30GA	50	SUP0233270	L. H. CENTER SHLD SUP LEG	20
SHM037460A	FLYWHEEL BRG SHIM-38GA	50	SUP0233271	R. H. CENTER SHLD SUP LEG	20
SHM037463A	FLYWHEEL BRG SHIM-10GA	48	SUP0233770	LEFT OIL COOLER FAN MTR MOUNT	124
SHR0023365	OIL COOLER SHIELD	124	SUP0233771	RIGHT OIL COOLER FAN MTR MOUNT	124
SHR0023371	OIL COOLER FAN SHROUD	124	SUP0234500	L. H. REAR SHD UPPER SUPT	20
SHV0000079	SHEAVE	46	SUP0234501	R. H. REAR SHD UPPER SUPT	20
SHV0000080	FLYWHEEL & DRIVE SHEAVE	46	SUP0252950	L.H REAR SHD LOWER SUPT-A/3-92	20
SHV0000250	SHEAVE	46	SUP0252951	R.H REAR SHD LOWER SUPT-A/3-92	20
SLV0015542	KNOTTER TRIP PIVOT BOLT SLEEVE	98	SUP036360D	L.H. NEEDLE YOKE PIVOT SUPRT	74
SLV0018935	SHOCK BUSHING BOLT SLEEVE	64	SUP036361D	RH NEEDLE YOKE PIVOT SUPRT	74
SOK0000001	METAL BALL SOK END FITTING	30	SUP036464B	BTM SLACK PULLER SHFT SUP BKT	92
SOK0012063	SOCKET-7 CONDUCTOR	32	SUP037147D	CENTER BEARING SUPPORT	78
SPC0016465	TWINE GUIDE COVER SPACER	26	SUP1763500	LH PICKUP SHIELD SUPPORT	54
SPC0016465	TWINE GUIDE COVER SPACER	28	SUP1763501	RH PICKUP SHIELD SUPPORT	54
SPC0016659	P/UP LIFT SPRING ANCHOR SPACER	54	SUP5061231	RH KNOTTER COVER SUPPORT	30
SPC0017429	SPACER - HEAT EXCHANGER	124	SUP5061240	LH KNOTTER COVER SUPPORT	30
SPC0021489	CLEVIS PLT SPACER	36	SUP5061370	LEFT SIDE FRNT CHANNEL SUPPORT	20
SPC0023370	SPACER-HEAT EXCHANGER	124	SUP5061381	RIGHT SIDE FRONT CHANNEL SUPPT	20
SPC0023696	PLUNGER CYL TRUNION SPACER	126	SWI0000003	SWITCH ROCKER	138,140
SPC0024097	PICKUP LIFT MNT SPACER	58	SWI0000004	SWITCH PUSH BUTTON	140
SPC0025340	MNTD WINDGRD SPG SPACER/SLIDER	50	SWI0000007	SWITCH ROCKER	140
SPC0028022	ALTERNATOR SPACER	46	SWI0000008	SWITCH ROCKER	138,140
SPC0034397	FEEDER BEARING SEAL SPACER	62	SWI0000824	SWITCH - LIQUID LEVEL	120
SPC0035139	TWINE TENSIONER SPACER	98	SWI0005079	LIMIT SWITCH -4 POST	72,88
SPC036403A	KNOTTER BRAKE SPACER	76	SWI0005081	LIMIT SWITCH 8 POSITION	98
SPC036404A	TWINE TUCKER CAM SPACER	76	SWI0005091	SWITCH OFF ON	140
SPC036406A	NEEDLE YOKE DRIVE SPACER	76	SWI0CH5079	LIMIT SWITCH 4 POST	64,76,136
SPC036451A	KNOTTER DRIVE IDLER SPACER	84	SWI0CH5081	LIMIT SWITCH -4 POST Is-13	76
SPC036711A	DOUBLE KNOTTER SPACER 3/16"	78	TBE0002501	TUBE TO TANK W/SLEEVE	82
SPC0506402	SPACER, KNOTTER FANS	30	TBE0002509	TUBING W/SLEEVE TO CHN-	82
SPG0000090	90 LB GAS SPRING	30	TBE0023717	TUBE-FRONT TENSION RETURN	114,116
SPG0010555	BRAKE ACTUATING CYLINDER SPRNG	52	TBE0023718	TUBE-FRONT TENSION PRESSURE	114,116
SPG0011549	RETURN SPRING	106	TBE0023719	TUBE-FRONT TENSION PILOT	100,114,116
SPG0017462	PICKUP LIFT SPRING	54	TBE0024975	TUBE-PLUNGER VLV-BULKHEAD	100,104
SPG0023160	SIDE HAY DOG SPRING	8	TC 000004C	TUBE ASSEMBLY	132
SPG0023737	PLUNGER CYLINDER SPRING	126	TC 000004E	HEAD	132
SPG0025309	WINDGUARD OVERTRAVEL SPRING	50	TC 000004O	HEAD O-RING ASSEMBLY	132
SPG0035137	SPRING, EXT	18	TC 000004V	PISTON	134
SPG0332185	LEAF SPRING	44	TC 000035C	TUBE ASSEMBLY	130
SPG0750350	COMPRESSION SPRING F/ 1600	96	TC 000035E	HEAD	130
SPK0000536	SPROCKET	56	TC 000035P	CLEVIS PIN	132
SPK0000554	SPROCKET -	56	TC 000035S	SHAFT ASSEMBLY	132
SPK0005023	SPK 1-1/4BORE 1/4	56	TC 000035V	PISTON	130
SPK0005035	SPK 1-1/4BORE 1/4	56	TC 00004RW	ROD WIPER	132
SPK0005041	SPROCKET TAPER LOCK	56	TC 00004SC	SET SCREW	132
SPK0017769	P/UP DRIVE SPROCKET	56	TC 00004SO	SMALL O-RING	134
SPK0028041	FEED FORK SPROCKET	64,72	TC 00004UP	PISTON PACKING ( SET)	132
SPK0035580	DOUBLE KNOTTER SPROCKET	76,84	TC 00004US	SHAFT PACKING	132
SPK0041B40	SPK 2-3/16"BORE F/DOUBLE KNOTTER	78	TC 00035RW	ROD WIPER	130
SPK0080190	SPROCKET -	70	TC 00035SC	SET SCREW	130
SPK0080210	SPROCKET	72	TC 00035SO	SMALL O-RING	132
SPK0080360	SPROCKET	70	TC 00035US	SHAFT PACKING	130
SPK011536S	IDLER SPRCKET	70	TC 00035VP	PISTON PACKING	130
SPK0602202	SPROCKET -	70	TC0000035P	CLEVIS PIN	8
SPK128012S	IDLER SPOCKET -	70,72	TEB0472102	2 POST TERMINAL BLOCK	122,124
SPK60SDS21	MOTOR DRIVE SPROCKET W/ BSH	84	TEB0472110	10 POST TERMINAL BLOCK	124
SPN0017647	1-5/16 P/U WHEEL SPN	52	THM001592D	THERMOSTAT, PROBE TYPE-1592D	122
SPN0023108	WHEEL SPINDLE	144	THM0714326	220F TEMP WIRING HARNESS	120
SQS3751250	3/8" X 1-1/4"SQ HD SET SCREW	64	TIN0231340	L. H. FEED CRANK TINE	60
SQS5002500	SETSCREW,SQ HEAD 1/2-13 X 2-1/2	66	TIN0231341	R. H. FEED CRANK TINE	60
SQS5003000	1/2 X 3 NC SQ HD CS - PLATED	50	TIR0000001	TIRE/WHEEL, WHITE	144
STD0000M10	M10 BALL STUD	30	TIR0004008	TIRE F/1500 P/U(400X8 4 PLY)	52
STD9530331	WHEEL STUD	144	TIR0199128	4.00 X 8 TUBE F/TIR4008	52
STO0025075	OIL COOLER/FAN SHROUD AIR STOP	124	TIR2312610	TIRE-GALAXY FOR 1592 + 2/97	144
STO036727A	TWINE TUCKER STOP	76	TNG0025604	FRONT TONGUE ASSEMBLY	6
STP0002000	STEP COVER-SAFETY WALK 2"	8,34	TNK037723E	TANK, HYDRAULIC OIL	120
STS2500250	1/4 X 1/4 NC SOCKET SET SCREW	88,128	TNS0020209	CAPSCREW 5/8 X 4 GR8 NC	8
STS2500313	SETSCREW 1/4-20 X 5/16 SOC. HD	98	TNS0022468	TOP TENS RAIL COMPRESSION BEAM	8
SUP0022487	FEEDER GUARD SUPPORT	66	TNS0025988	SIDE TENSION RAIL	8
SUP0023344	LADDER SUPPORT	34	TNS0028067	RAIL WLDMT,TOP	8
SUP0023357	LOWER RIGHT DOOR SUPPORT	20	TNS0035148	TWINE ROLLER TENSIONER ASSY	92,94,96
SUP0023479	LOWER LEFT DOOR SUPPORT	20	TNS2287200	LEFT COMPRESSION BEAM	8
SUP0216270	LH FLYWHEEL FRM MNT SUPT-AF/87	6	TNS2287201	RIGHT COMPRESSION BEAM	8



## PARTS INDEX CONT.

Part No.	Description	Page No.	Part No.	Description	Page No.
UBL1375225	U-BOLT 3/8-16	92			
VLV0000015	1592 TENSION CAVITY PLUG	118			
VLV0000026	RELIEF VALVE CARTRIDGE	106			
VLV0000034	RELIEF VLV CART,53GPM,6000 PSI	70,100			
VLV0000035	VALVE SUBPLATE,	68,100			
VLV0000044	DIRECTIONAL VALVE F/ MNF036773D	118			
VLV0000049	SPOOL VALVE, 2 WAY,NO,10 VDC	118			
VLV0000051	CHECK VALVE CARTRIDGE, 5 PSI	118			
VLV0000053	SPOOL VALVE CARTRIDGE	118			
VLV0000055	VALVE ADJUSTING KNOB KIT	118			
VLV0000056	DIRECTIONAL VALVE CARTRIDGE, NC	118			
VLV0000059	RELIEF VALVE	118			
VLV0000062	SOLENOID VALVE 4 WAY 3 POS 12VDC	68,100			
VLV0000063	TENSION CONTROL VALVE	118			
VLV0000064	TENSION VALVE CARTRIDGE	118			
VLV0000091	FLOW CONTROL CARTRIDGE	108			
VLV0000416	VALVE-RESERVOIR	106			
VLV0000453	CHECK VALVE	100			
VLV0006001	VALVE 1" BALL BRASS	120			
VLV0013120	PLUNGER CYL. VALVE ASSY COMP.	100,102			
VLV0017304	FEEDER VALVE MANIFOLD BODY	108			
VLV0028071	PLUNGER CYL. VALVE W/O FITTINGS	102			
VLV0075005	CHECK VALVE 3/4 X 5LB	120			
VLV00B1113	AUTO LUBER VALVE	82			
VLV046J515	VALVE	106			
VLV1312000	PLUNGER CYL. VALVE BODY	102			
VLV1312YCF	DUMP VALVE	100			
VLV1592CBE	COUNTER BALANCE VALVE	106			
VLV1592CBG	COUNTER BALANCE VALVE	106			
VLV1730401	VALVE-KNOTTER/FEED COMPLETE	106			
VLVCBGLHV	COUNTERBALANCE VALVE	104			
VLVCOFAXAN	RELIEF VALVE	100			
VLVCOHBFV	PILOT CLOSE CHECK CARTRIDGE	102			
VLVCFAXCN	RELIEF VALVE	100			
VLVCXHAXCV	CHECK VALVE CARTRIDGE	102			
VLVLKFCXDV	SUN LOGIC CARTRIDGE #5	102			
VLVLKJCXDV	LOGIC VALVE CARTRIDGE	102			
VLVNCCBLV	NEEDLE VALVE CARTRIDGE	102			
VLVRPECLQV	RELIEF VALVE CARTRIDGE	104			
VLVRPGCLCV	RELIEF VALVE CARTRIDGE	102			
WHL0401530	WHL/TIR ASSY 4 X 8	52			
WHL0412530	WHEEL-8 X 3.75(4 ON 4)P/U	52			
WHL1029201	WHEEL - NO BRAKES -1592	144			
WIP0110023	ROD WIPER	130			
WIP0110042	PLUNGER CYLINDER ROD WIPER	126			
Y088307.5	BEARING, SELF ALIGNING	64			
Y435242.62	RING RETAINING EXT	64			
YOK0024007	YOKE WLDMT,CHMR	6			
YOK0174039	INBOARD YOKE F/DRV389774 1-3/4	38			
YOK036353E	NEEDLE YOKE ASSEMBLY	74			
ZZ00002004	SET COLLAR 1-1/2" STEEL	90			
ZZ00002004	SET COLLAR 1-1/2" STEEL	96			
ZZ00020002	SET COLLAR, 2-3/16	78			



To find a dealer in your area,  
Call: 503-625-2560,  
Fax: 503-625-7269, or

Visit our website: <http://www.alliedsystems.com>

**Allied Systems**  
C O M P A N Y

PB0001592D 12/05  
Printed in USA