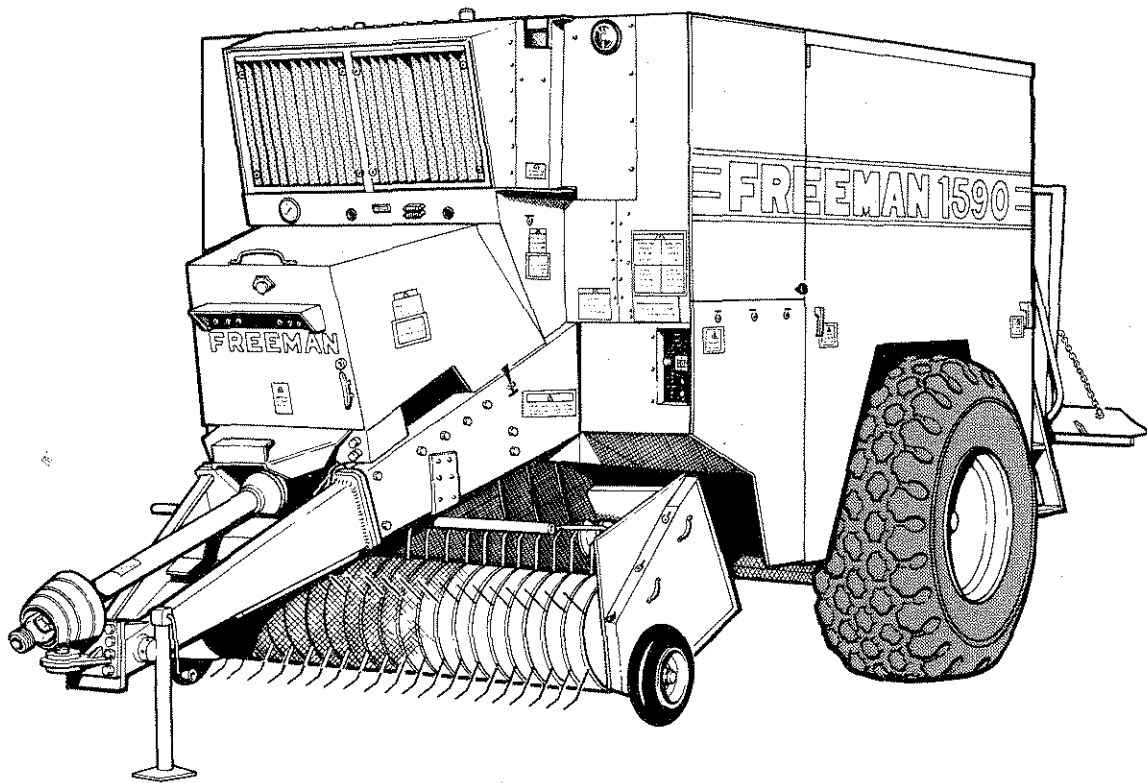


FREEMAN

MODEL 1590 BALER



1991 PARTS LIST

manufactured and distributed by



J. A. FREEMAN & SON, INC.



PORTLAND, OREGON

PB 1590091

CAUTION **PRECAUCION**

1. KEEP ALL SHIELDS IN PLACE.
2. STOP ENGINE OR MOTOR BEFORE LEAVING OPERATOR'S POSITION TO ADJUST, CLEAN, OR UNCLOG MACHINE, UNLESS OTHERWISE SPECIFICALLY RECOMMENDED IN THE "OPERATOR'S MANUAL."
3. WAIT FOR ALL MOVEMENT TO STOP BEFORE SERVICING MACHINE.
4. KEEP HANDS, FEET AND CLOTHING AWAY FROM POWER DRIVEN PARTS.
5. KEEP OFF EQUIPMENT UNLESS SEAT OR PLATFORM FOR OPERATION AND OBSERVATION IS PROVIDED.
6. KEEP ALL OTHERS OFF.
7. USE APPROPRIATE SIGNS OR WARNING LIGHTS WHEN OPERATING ON HIGHWAYS.
8. MAKE CERTAIN EVERYONE IS CLEAR OF MACHINE BEFORE STARTING ENGINE, MOTOR OR OPERATION.

-
1. MANTENER TODOS LOS PROTECTORES EN SU LUGAR.
 2. APAGAR LA MÁQUINA O EL MOTOR ANTES DE DEJAR LA POSICIÓN DEL OPERADOR PARA AJUSTAR, LUBRICAR, LIMPIAR O DESTAPAR LA MÁQUINA, A NO SER QUE SE RECOMIENDE ESPICÍFICAMENTE EN EL "MANUAL DEL OPERADOR."
 3. ESPERAR QUE NO HAYA MOVIMIENTO ANTES DE DAR SERVICIO A LA MÁQUINA.
 4. MANTENER LAS MANOS, LOS PIES Y LA ROPA LEJOS DE LAS PARTES QUE SE MUEVAN CON MOTOR.
 5. MANTENERSE LEJOS DEL EQUIPO A NO SER QUE HAYA SILLA O PLATAFORMA DE OPERACION Y OBSERVACIÓN.
 6. MANTENERSE LEJOS DE LOS DEMÁS.
 7. USAR LAS SEÑALES APROPIADAS O LAS LUCES DE AVISO AL MANEJAR EN LAS CARRETERAS.
 8. ASEGURARSE QUE NO HAY NADIE CERCA DE LA MÁQUINA ANTES DE ENCENDER EL MOTOR O ANTES DE OPERARLA.

ALPHABETICAL INDEX OF ILLUSTRATIONS

Bale Accumulator Hitch	131
Bale Chute.....	5
Bale Length Mechanism	79
Battery	119
Brake Actuator Assembly	125
Brake Cables And Mounts.....	123
Brake Hydraulics	124
Brake Ratchet Assembly And Mounts	121
Brake And Spindle Assembly	127
Bumper Bar Assembly.....	129
Control Box - Fan	115
Control Box - Knot Sensor & Tension Control (Remote).....	116
Control Box - Main.....	113
Control Box - Tension Controller	118
Covers - Top.....	17
Cylinder - Make-up	105
Cylinder - Pickup	108
Cylinder - Plunger.....	103
Cylinder - Side Tension	107
Cylinders - Tension Cylinders And Plumbing	77
Cylinders - Top And Bottom Tension.....	106
Decal Kits	119
Drive Unit, Mechanical	27,29
Feed Fork	53
Feed Fork Drive System.....	59
Feeder Crank Shaft Assembly.....	51
Feeder Crank Shaft And Tines.....	50
Feeder And Pickup Drive.....	57
Filters - Main System Hydraulic.....	98
Full Feed Sensor	72
Gauge Panel Assembly	101
Hand Rails, Safety.....	22
Hitch	23
Hoses - Main System	85
Hoses - Oil Cooler And Gauge	100
Hoses - Plunger, Feeder And Knotter	86,87
Hoses - Tension System	92
Hydraulic Oil Tank	95
Hydraulics - Main System.....	81
Infeed Chute.....	55
Knot Sensor	75
Knot Sensor Indicator Panel.....	117
Knotter Assembly	67
Knotter Brake Assembly	64
Knotter Fans	17
Knotter Luber Assembly	69
Knotter Shaft Assembly	65
Ladder And Hand Rails	21
Lights	119
Luber Pump And Tank.....	71
Main Frame	1
Mechanical Drive Unit.....	27,29
Needle Yoke Drive System.....	61
Needles And Needle Yoke	63
Oil Cooling System And Gauge Panel Assembly.....	101
Pickup Drive Components	43,45
Pickup Hydraulic Lift Systems	47,48
Pickup Reel Components	35,37
Pickup Shields And Mounts.....	39,41
Plunger Assembly.....	7
Plunger Cylinders And Mounts.....	4
P.T.O. Clutch	26
P.T.O. Shaft.....	24
Rear Chamber	5
Shields And Control Boxes (Lower Front)	14
Shields And Doors (L.H. & R.H. Sides)	11,13
Shield Frames And Door Supports (Side)	9
Shields - Mechanical Drive Unit.....	19
Switches - Plunger Limit Switches.....	111
Tension Rails.....	3
Tension Unloader Valve And Tension Cylinder Plumbing.....	89
Tire And Wheel Group.....	120
Tubes - Tension Control.....	91
Twine Boxes And Brackets.....	15
Twine Finger Drive	73
Twine Tensioner	77
Valves - Knotter And Feed Fork Manifold.....	86
Valve - Make-up Cylinder Check Valve	97
Valve - Manual Controlled Unloader.....	130
Valve - Pickup And Feeder Control	56
Valve - Plunger System	83
Valves - Tension Control	88
Valves - Tension Unloader Valve (Manual & Remote Controlled).....	93
Windguards	31,32,34
Wire Harness Locations	109

PART NUMBER INDEX

PART	PAGES	PART	PAGES	PART	PAGES
01-736	71	BKT0023474	4	BSH0014894	54
02-104	74	BKT0023510	21	BSH0015568	74
03-161	110	BKT0023539	123	BSH0015841	16
03-162	62	BKT0024068	80	BSH0015842	16
03-182	114	BKT0024175	22	BSH0016583	54
03-203	119	BKT0216260	30	BSH0020000	58
04-105	72	BKT0216261	30	BSH0021610	76
06-130	56	BKT0218830	126	BSH0021617	30
11-262	62, 96, 102	BKT0218831	126	BSH0026875	60
11-269	110	BKT0233410	30	BSH0101251	58
19-109	36, 38, 120	BKT0233411	30	BSH0101502	60
20-112	10	BKT0233530	6, 119	BSH0113750	66
ACM0800087	82	BKT0233531	6, 119	BSH0119375	62
ALTO011610	28	BKT0234630	16, 54	BSH0121875	28
ANCO016029	40, 42	BKT0234631	16, 54	BSH0193750	62
ANCO020159	66	BKT0235020	40, 42	BSH0221875	28
ANCO021558	54	BKT0235021	40, 42	BSH1252012	44, 46
ANCO021563	54	BKT1537100	74	CAM0013697	60
ANCO023322	14	BKT1537101	74	CAM0015809	66
ANCO023403	14	BKT1616200	40, 42	CAM0015917	72
ANCO023506	14	BKT1616201	40, 42	CAM0017414	36, 38
ANCO217090	126	BLK0015661	30	CAM0023276	62
ANCO217091	126	BLT0000038	28	CAM1610500	62
AO 0000312	100	BLT0000042	28	CAM1610501	62
ARMO005001	62, 80	BLT0000950	28	CAM8010070	128
ARMO005084	60, 62, 66, 112	BMP0004243	18, 20	CAP0014877	54
ARMO015162	40, 42	BMP0022592	129	CAP0046749	36, 38
ARMO015342	62	BOX0016829	115	CAP2074461	117
ARMO015370	74	BOX0017295	114	CAP6705005	56
ARMO015593	78	BOX0022831	116	CAP6718008	56
ARMO015684	40, 42	BOX0023427	118	CAP7012009	128
ARMO021547	54	BOX0226260	14	CBK0005510	117
ARMO021549	54	BOX0232210	10, 16	CBK0005530	114
ARMO021679	54	BOX0232211	10, 16	CBK0005540	14, 114
ARMO022540	72	BOX0232370	16	CBL1121702	110
ARMO023120	52	BOX0232371	16	CBL5051113	122, 123, 126
ARMO023168	52	BRC0023356	21	CBL5052231	122, 123, 126
ARMO024083	48	BRC0023404	14	CBT5058750	18
AUG0023174	44	BRC0023447	129	CBT5151250	18
AUG0023176	44	BRC0233260	10	CHK0000336	6
AUG0023763	46	BRC0233261	10	CHN0005087	44, 46
AUG0023764	46	BRC0233290	10	CHN0006064	44, 46
AUG0229870	46	BRC0233291	10	CHN0006098	62, 66
AUG0229871	46	BRC0233300	10	CHN0008064	58
AUG1762200	44	BRC0233301	10	CHN0008090	62
AUG1762201	44	BRC0233310	10	CHN0044321	24
BAB0007140	118	BRC0233311	10	CHN0050177	44, 46
BAB0010140	114	BRC0233921	10, 13	CHN0080100	60
BAB0012140	114	BRG0000063	44, 46	CHN375HT50	6
BAB007140Y	114	BRG0000103	44, 46	CHU0022269	6
BAR0022343	80	BRG0000453	120	CHU0022751	55
BAR0023066	36	BRG0000455	120	CHU0022765	55
BAR0023069	36	BRG0001101	36, 38	CHU0022767	55
BAR0023755	38	BRG0002000	50, 58	CHU0023348	55
BAR0023756	38	BRG0002001	50, 58	CIP0007252	117
BC00011631	114	BRG0002002	50, 58	CIP0022526	18
BKT0001398	114	BRG0002029	36, 38	CIP2090200	114
BKT0015602	78	BRG000MI6N	122	CLH0017767	44, 46
BKT0015687	40, 42	BRG000MI8N	122	CLH0017773	44, 46
BKT0015705	30	BRG001016T	54	CLH0017849	44, 46
BKT0015770	28	BRG0020016	44, 46	CLH0319187	26
BKT0015916	119	BRG0022548	66, 70	CLH0383830	26
BKT0015956	119	BRG0032016	128	CLP0000106	82, 96
BKT0016005	119	BRG0032212	128	CLP0000121	123
BKT0016157	13	BRG0033287	120	CLP0000125	22
BKT0016158	13	BRG0033462	120	CLP0000130	21
BKT0016580	82	BRG0067000	44, 46	CLP0000145	123, 124
BKT0016582	91	BRG00CYR3S	8	CLP0010951	47, 91
BKT0017278	70	BRG0106250	50	CLP0022216	82
BKT0017448	60	BRG0193750	62	CLP0022217	82
BKT0018013	91	BRG0218750	30	CLP0100150	4, 54, 91
BKT0018160	91	BRG0268250	54	CLP0726110	117
BKT0020148	58, 60, 62	BRG0268750	60	CLP2102011	128
BKT0020150	66	BRG0507910	52	CLP7701154	91
BKT0021619	119	BRG0507949	52	CLP7701158	18, 91
BKT0021697	126	BRG2187500	30	CLP7701160	62
BKT0021700	126	BRG3252125	104	CLP7701163	82
BKT0021864	122, 123	BRG4251125	104	CLP7701164	82
BKT0021882	124	BRGRCJ1375	66	CLP7701165	14
BKT0021896	122	BRK8714730	126	CLR0002094	102
BKT0021907	123	BRK7111034	128	CLR0002353	102
BKT0022078	74	BRK8010059	128	CLR21133S1	82, 102
BKT0023355	10	BRU0009551	58, 60	CLT0004015	20, 28
BKT0023390	94	BSH0000H50	28	CLV0005035	3
BKT0023414	28	BSH0001021	44, 46	CNK0000110	62, 66
BKT0023423	28	BSH0001026	54	CNK0000800	62
BKT0023462	16	BSH0006231	36, 38	CNK0000801	58, 60
BKT0023470	30	BSH0010125	62	CNR0000193	60, 62, 66, 86, 112, 114, 118

PART NUMBER INDEX

PART	PAGES	PART	PAGES	PART	PAGES
CNR0000194	114	DRW0017772	44,46	F 0007976	68
CNR0000195	62,80,112,114,118	DRW0021876	126	F 0007988	63,66
CNR0000297	114,115,116	DSK0304235	26	F 0008011	44,46
CNR0056415	58,60	DSK0332183	26	F 0008023	80
COI0035G12	86	ELB0066414	58,60	F 0008049	68
COL6714001	56	ELC0000334	96	F 0008060	119
COL6714011	56	ELC0016762	110	F 0008068	68
COV000RFO3	98	ELC0021608	76	F 0008069	68
COV9803352	84	ELC0022896	118	F 0008080	44,46
CPL0018917	30	ELC0046013	115	F 0008102	44,46
CPL0021616	30	ELC0046019	115	F 0008144	74,76
CPL0052361	124	ELC0046020	115	F 0008146	74,76
CPL0080104	47,48	ELC0048533	116,118	F 0008147	78,80
CVR0016464	16	ELC0050008	115	F 0008197	71
CVR0022832	116	ELC0050009	114	F 0008198	71
CVR0023297	18	ELC0172950	14,114	F 0008199	71
CVR0023300	18	ELC0172951	114	F 0008201	71
CVR0023406	18	ELC0174831	14,115	F 0008208	71
CVR0023409	18	ELE0022951	116	F 0008209	71
CVR0023430	20	F 0000025	44,46	F 0008264	72
CVR0023444	20	F 0000072	28	F 0008274	68
CVR0023449	117	F 0000108	78	F 0008275	68
CVR0023598	21	F 0000123	44,46	F 0008280	68
CVR0024070	14	F 0000159	74,78	F 0008284	70
CVR0232360	16	F 0000169	88,104	F 0008287	68,70
CVR0232361	16	F 0000172	72	F 0008288	66,68,70
CVR0234080	12	F 0000225	62	F 0008290	70
CVR0234081	13	F 0000246	78,80,122	F 0008291	70
CVR0234290	20	F 0000278	16	F 0008306	70
CVR0234291	20	F 0000440	76,80,126	F 0008312	71
CYL0000205	40,42,47,48,108	F 0000747	80	F 0008380	36,38,44,46
CYL0001590	4,104	F 0000759	44,46	F 0008381	36,38,44,46
CYL0013475	104	F 0000760	44,46	F 0008383	36,38,44,46
CYL0013477	104	F 0000778	70	FAN0250937	18
CYL0013525	104	F 0000856	16,20,78	FAN5000212	102
CYL0013532	104	F 0000857	16,20,78	FAN5002147	102
CYL0013535	104	F 0001007	16	FD 000049E	12,13,63,96
CYL0016082	104	F 0001441	70,71,96	FD 000059E	12,13,18,20,40,42
CYL0017080	104	F 0001517	31,32,34,74,80,126	FD 000060E	12,13,16,63
CYL0017081	104	F 0001572	74	FD 000061E	12,13,63
CYL0017120	104	F 0001618	72,80	FD 0007111	20
CYL0017121	104	F 0001619	72	FD 0007113	18
CYL0021635	124,126	F 0001623	74,78	FD 0015900	119
CYL0022778	4,105	F 0001654	36,38	FD 001590E	119
CYL0023212	104	F 0001790	44,46	FD 0017296	114
CYL0023247	105	F 0001791	44,46	FD 0018808	96,102
CYL0080614	12,13	F 0001793	44,46	FD 0021937	20
CYL00TC408	3,90,107	F 0001797	44,46	FD 0022124	2
CYL0TC3516	3,90,106	F 0001889	72	FD 0022521	80
CYL2277801	105	F 0001890	72	FD 0023531	20
CYL2277802	105	F 0001909	36,38	FD 0023534	18,20
CYL2277803	105	F 0004068	56	FD 0023537	20
CYL2277804	105	F 0004104	66	FD 0023538	12,13,16,63
DOG0014820	3	F 0004137	63	FD 0023571	12,13,63
DOG0023159	3	F 0004159	66,126	FD 0023574	12,13,96
DOR0232300	16	F 0004161	66,126	FD 0023576	12,13,18,20,40,42
DOR0232301	16	F 0006328	119	FD 0023579	12,13,16
DOR0232790	12	F 0006450	4,104	FD 0023580	12,13
DOR0232791	13	F 0006551	119	FD 0023582	12,13,63
DOR0233320	12	F 0006558	119	FD 0023583	102
DOR0233321	13	F 0006635	47	FD 0023951	36,38,120
DPT0009540	58,60	F 0006638	88,94	FD 0024080	20
DPT0018751	30,82	F 0006639	119	FD 0024081	12,13
DRV0087276	24	F 0006657	82	FD 0024082	102
DRV0097140	24	F 0006673	88	FD 0024109	12
DRV0160012	24	F 0006675	82,96,102	FD 0024110	13
DRV0312209	24	F 0006684	60,82,84	FD 008450E	12,13,16
DRV0323155	24	F 0006830	96	FD 018958E	18,20
DRV0364672	24	F 0006989	88	FEN1763200	36,38
DRV0365385	24	F 0007076	78	FEN1763201	36,38
DRV0377589	24	F 0007400	70	FIL0001997	98
DRV0377591	24	F 0007449	64	FIL0003000	98
DRV0377593	24	F 0007450	64	FIL0010003	71
DRV0382829	24	F 0007453	64	FIL0067012	71
DRV0383239	24	F 0007454	64	FIL0121525	96,98
DRV0383429	24	F 0007541	78	FIL0164378	82
DRV0383831	24	F 0007586	78,80	FIL0421042	94
DRV0383834	26	F 0007587	78,80	FIL1731101	96
DRV0383864	24	F 0007860	68	FIL8800200	82
DRV0383866	24	F 0007871	68	FLG0001501	4,82,104
DRV0384303	24	F 0007876	68	FLG0001502	82
DRV0384436	24	F 0007884	68	FLG0001660	4,104
DRV0385301	24	F 0007890	78	FLG00016SF	82
DRV0386165	24	F 0007892	68	FLT0003125	104
DRV0386601	24	F 0007893	68	FLW0023253	30
DRV3838320	24	F 0007904	36,38	FRK0022625	54
DRV3838325	24	F 0007947	68	FRM0001590	2
DRV3838330	24	F 0007948	68	FRM0014865	4

PART NUMBER INDEX

PART	PAGES	PART	PAGES	PART	PAGES
FRM0023252	30	HOS0023436	8	HUB0909915	120
FRM0232910	10	HOS0023437	82, 85	HUB8710080	128
FRM0232911	10	HOS0023438	86, 87	HYD0000705	47, 48
FST0010401	12, 13, 18, 20, 40, 42, 102	HOS0023439	82, 85, 96, 100	HYD0010000	102
FT 0000113	66, 71	HOS0023451	4, 82, 87	HYD0010017	94
FT 0000114	66, 71	HOS0023452	4, 82, 87	HYD0011086	88
FT 0000165	66, 71	HOS0023453	4, 87	HYD0021193	84
FT 0000219	88, 94	HOS0023454	88, 92, 96	HYD0061010	70
FT 0000220	88	HOS0023455	87, 88, 92	HYD0066010	70
FT 0000538	60, 71	HOS0023456	82, 100	HYD0080026	96
FT 0000549	94	HOS0023457	82, 85, 100	HYD0080385	82
FUS00000025	114	HOS0023460	82, 85	HYD0162037	102
FUS00000036	114	HOS0023464	90, 92	HYD0940402	96, 98
GAG0064051	96	HOS0023465	90, 92	KYD1200112	96
GAG0082112	102	HOS0023466	90, 92	HYD2501L65	94
GAG0082115	102	HOS0023467	90, 92	HYD3069020	94
GAG2335010	102	HOS0023488	82, 85, 96	HYD3069040	88
GRD0021541	32	HOS0023493	28, 82, 85, 92, 96	HYD3069060	82, 96
GRD0022383	31	HOS0024207	48	HYD3069064	82
GRD0022486	55	HOS0024293	48	HYD3069070	82
GRD0022492	55	HRN0017598	110	HYD3069071	82, 96
GRD0023034	34	HRN0017617	110	HYD3109032	47, 48
GRD0023386	102	HRN0017620	110	HYD3109042	88
GRD0023446	44, 46	HRN0017621	110	HYD3109063	96
GRD0023501	20	HRN0017641	110	HYD3109064	82
GRD0044320	18	HRN0017866	110	HYD3109076	82
GRD0044321	18	HRN0017867	110	HYD3109086	94
GRD0224850	55	HRN0017868	110	HYD3109097	96
GRD0224851	55	HRN0017870	110	HYD3159010	58, 60, 84, 130
GRD0224960	55	HRN0017872	110	HYD3159020	88
GRD0224961	55	HRN0017873	110	HYD3159022	96
GRD0233110	12	HRN0017874	110	HYD3159060	96
GRD0233111	13	HRN0017879	110	HYD3169005	88
GRL0023379	102	HRN0018297	110	HYD3169010	54
GRM0002285	18	HRN0018300	110, 119	HYD3169030	44, 46
GSK0000678	124	HRN0018301	110, 119	HYD3239032	94
GSK0000RS4	96, 98	HRN0018302	110	HYD3249044	88
GSK0020085	97	HRN0018303	110	HYD3269044	88
GUD0018010	40, 42	HRN0018306	110	HYD3409010	60
GUD0018011	40, 42	HRN0018331	110	HYD3409020	102
GUD0018012	40, 42	HRN0018332	110	HYD3609030	47, 48
GUD0020091	56	HRN0018333	110	HYD3709020	94
HAN0000150	40, 42	HRN0020857	110	HYD3709040	88
HAN0000817	12, 13, 18, 20	HRN0020858	110	HYD3709070	82
HAN0020090	56	HRN0020970	110, 119	HYD3759020	88
HAN0021859	122, 123	HRN0021076	110	HYD3759080	82, 96
HAN6210603	12, 13	HRN0021174	110	HYD3959060	82, 96
HNG0023432	20	HRN0021867	110	HYD5015042	88
HNG0023445	20	HRN0021868	110	HYD5015062	82, 86
HNG0023458	20	HRN0021990	110	HYD5015065	94
HNG0023485	21	HRN0022681	110	HYD5105040	88
HNG0232330	16	HRN0022686	110	HYD5105060	82
HNG0232331	16	HRN0022703	110	HYD5129020	82, 84, 86, 88
HNG0233390	12	HRN0022895	110, 116, 117	HYD5129030	94
HNG0233391	13	HRN0023512	110	HYD5129040	82
HNG0235070	16	HRN0023513	18, 110	HYD5129060	96
HNG0235071	16	HRN0023514	18, 110	HYD5205022	84, 88
HNG1598500	18	HRN0023529	88, 110	HYD5205033	48
HNG1598501	18	HRN0023530	110	HYD5205044	82
HNG1598600	18	HRN0023541	110	HYD5205060	82, 94
HNG1598601	18	HRN0023542	110	HYD5205064	82
HOS0015761	90, 92	HRN0023547	110	HYD5205070	4, 82, 96
HOS0015762	90, 92	HRN0023689	110	HYD5205086	82, 96
HOS0015797	82, 85, 87	HRN0023803	110	HYD5255022	94, 102
HOS0015798	82, 85, 86, 87	HRN0024294	110	HYD5275080	82
HOS0015874	4, 82, 85, 87	HSG0381690	26	HYD5315040	124
HOS0015875	4, 82, 85, 87	HSN000RF06	98	HYD5315043	82, 86
HOS0015876	82, 85	HSN0017659	44, 46	HYD5315060	58, 62, 82, 86
HOS0015877	4, 82, 85, 87	HSN0022158	130	HYD5315064	82, 84
HOS0016624	82, 85, 86, 87	HSN0023116	52	HYD5315067	60
HOS0016625	47	HSN0023621	117	HYD5315080	82, 84
HOS0016631	86, 87	HSN0381697	26	HYD5325030	91, 124
HOS0016637	82, 85, 96	HSNORF9201	98	HYD5325050	91
HOS0016646	82, 85	HTHO021484	23	HYD5355030	94
HOS0016650	82, 87, 100	HTHO021490	23	HYD5355080	96
HOS0016655	28, 88, 92	HTH2420100	131	HYD5355121	96
HOS0016656	47	HTH2420101	131	HYD5365060	86
HOS0016658	47, 48	HTH2420300	131	HYD5365080	82, 84, 97
HOS0017676	82, 85, 100, 102	HTH2420301	131	HYD5375030	47, 48
HOS0020947	90, 92	HTH2420500	131	HYD5405020	8, 94
HOS0020948	90, 92	HTH2420501	131	HYD5405050	94
HOS0021435	82, 87	HTH2420600	131	HYD5405060	90, 94, 96
HOS0021436	82, 87	HTH2420601	131	HYD5515020	82, 84
HOS0021885	124	HUB0000348	36, 38	HYD5515030	82, 84
HOS0021886	124	HUB0000873	120	HYD5515034	124
HOS0021952	124	HUB0000BT12	36, 38	HYD5515043	28
HOS0023434	94	HUB0010873	120	HYD5515045	28
HOS0023435	82, 85, 86, 87, 96, 100	HUB0021706	126, 128	HYD5515060	82, 86

PART NUMBER INDEX

PART	PAGES	PART	PAGES	PART	PAGES
HYD5515070	82,84	LEVO021705	126	MNT1656800	63
HYD5525030	47,48,82	LEVO022476	78	MNT1656801	63
HYD5605022	94	LEVO023055	36,38	MNT1660700	78
HYD5605060	90	LEVS910011	126,128	MNT1660701	78
HYD5716020	82,84	LINO016227	3	MSR0007140	118
HYD5716040	88	LINO017159	80	MSR0010140	114
HYD5716060	82	LINO022522	6	MSR007140Y	114
HYD5726030	124	LINO225240	6	MSR012140Y	114
HYD5755050	88	LINO225241	6	MTR0022706	18
HYD5755060	82,94	LIT0001200	116	MTR1091104	58,82
HYD5755444	82	LIT0001815	114,117	MTR1091105	62
HYD5805080	96	LIT0018048	102	MTR1121067	60
HYD5924030	47,48,82,91,124	LIT0020171	119	MTR5000211	102
HYD5924050	91	LIT0023037	102	NCC0002500	16,78
HYD5924060	94	LIT0070510	119	NCW0103200	14,96,102
HYD5924080	82	LIT0691193	116,117	NDL0015235	63
HYD6400098	82	LIT1410112	119	NEJ0001250	126
HYD6401066	82	LIT1410122	119	NFC0010000	36,38
HYD6801064	84	LIT1690410	114	NFE0000625	3
HYD7237025	84	LIT2714521	119	NFE0001000	62,63
HYD7237030	86	LIT2714522	119	NFE0001032	18,114,115
HYD7237040	84,86	LNK0015541	80	NFJ0012500	63
HYD7237050	84,86	LNK0015609	78	NFJ0013750	66
HYD7237060	86	LNK0015620	54	NFL0012500	62
HYD7237080	84	LNK0021710	126	NSL0013750	120
HYD7629040	88	LNK0021718	54	NYL0000125	58,60
HYP FA22-P	4,105	LNK0021940	122	NYL0000250	100
HYP000FA20	108	LNK0023133	50	OFL0000102	58,60,62
HYP000FA2E	108	LNK5800124	56	OFL0000107	62,66
HYP000FA2G	108	LOK0017500	52	PCY0013464	36,38
HYP000FA2M	108	LTH1584700	16	PCY0017583	36,40,44
HYP000FA2N	108	LTH1584701	16	PCY0017634	36,38
HYP000FA2P	40,42,47,48,108	LUB0017169	71	PCY0022996	38,42,46
HYP000FA2V	108	LUB0017277	70	PCY0023053	36,38
HYP000FA4P	3	LUB0017279	70	PCY0023054	36,38
HYP000FA2LR	108	LUB0017303	58,60	PCY0023096	36,38
HYP000FA2PO	108	LUB0323060	52	PCY0023097	36,38
HYP000FA2RW	108	LUG0005401	114	PCY0168-13	36,40,44
HYP000FA2SO	108	MNT0013456	36,38	PCY1682670	38,42,46
HYP000FA2US	108	MNT0014915	40,42	PDL0015668	72
HYP000FA35P	3	MNT0015325	66,74	PDL0017210	72
HYP00FA25-C	108	MNT0015328	65,74	PHO0005402	114
HYP00FA25-S	108	MNT0015373	66,74	PHO0005403	114
IMP0026006	71	MNT0015754	60	PIN0000142	80
IMP0026106	71	MNT0015759	31,32,34	PIN0015507	40,42,44,46
JCK0000198	2	MNT0015802	66	PIN0015610	78
JCK0000205	2	MNT0015823	112	PIN0021155	13
KEY0331737	26	MNT0015827	112	PIN0021707	126
KIT0000010	86	MNT0015848	62	PIN0021708	126
KIT0000012	86	MNT0015856	82	PIN0023475	12,13
KIT0000013	86	MNT0017158	80	PIN0375125	40,42,66
KIT0000017	86	MNT0018742	28	PIN5601010	128
KIT00003000	98	MNT0018946	60	PLG0014973	8
KIT0334109	24	MNT0018954	64	PLG0014974	8
KIT046J515	86	MNT0020255	4,54,91	PLG0014979	8
KIT0991010	86	MNT0020946	102	PLG0022606	8
KIT9510048	84	MNT0021603	76	PLG0022629	8
KNF0014787	6	MNT0021609	74,76	PLG0022635	8
KNF0022602	8	MNT0021755	58	PLG0022641	8
KNF0022603	8	MNT0021863	122,123	PLG0022711	8
KNT0006012	68	MNT0021879	31,32,34	PLG0022712	2
KNT0006051	66	MNT0022268	6	PLG0022713	2
KNT0015323	66	MNT0022342	80	PLG1496700	8
KNT0024404	80	MNT0022478	78	PLG1496701	8
KNT0018949	64	MNT0022633	2,4	PLG168-8-3	8
KNT0020500	80	MNT0023278	30	PLT0005000	116,118
KNT0020956	66	MNT0023283	10	PLT0020089	56
KNT0021597	74,76	MNT0023288	28	PLT0021486	23
KNT0021598	74,76	MNT0023309	8	PLT0021487	23
KNT0021604	76	MNT0023310	8	PLT0021488	23
KNT0021748	66	MNT0023349	102	PLT0022880	80
KNT0021950	76	MNT0023389	88	PLT0319185	26
KNT0021953	76	MNT0023391	14	PLT0319186	26
KNT0024098	80	MNT0023431	20	PLT10951SP	91
KNT0024106	66	MNT0023468	30	PLT6603501	56
KNT0600334	66,70	MNT0023489	10	PLT6705003	56
KNT5321481	68	MNT0024096	48	PLU0023518	117
KOB0026302	116,118	MNT0231010	16	PLU6716001	56
KOB0026308	116,118	MNT0231011	16	PLU6716014	56
LAT0000201	20	MNT0231020	16	PLU9802034	84
LDR0016139	13	MNT0231021	16	PLU9803461	84
LDR0023313	21	MNT0233030	10	PMP0000090	82
LEVO015533	80	MNT0233031	10	PMP001500T	28
LEVO015534	80	MNT0233230	10	PMP1111002	82
LEVO015537	80	MNT0233231	10	PMP3301972	82
LEVO015603	78	MNT0235170	31,32,34	PMP4731107	71
LEVO021701	126	MNT0235171	31,32,34	PNL0016830	115

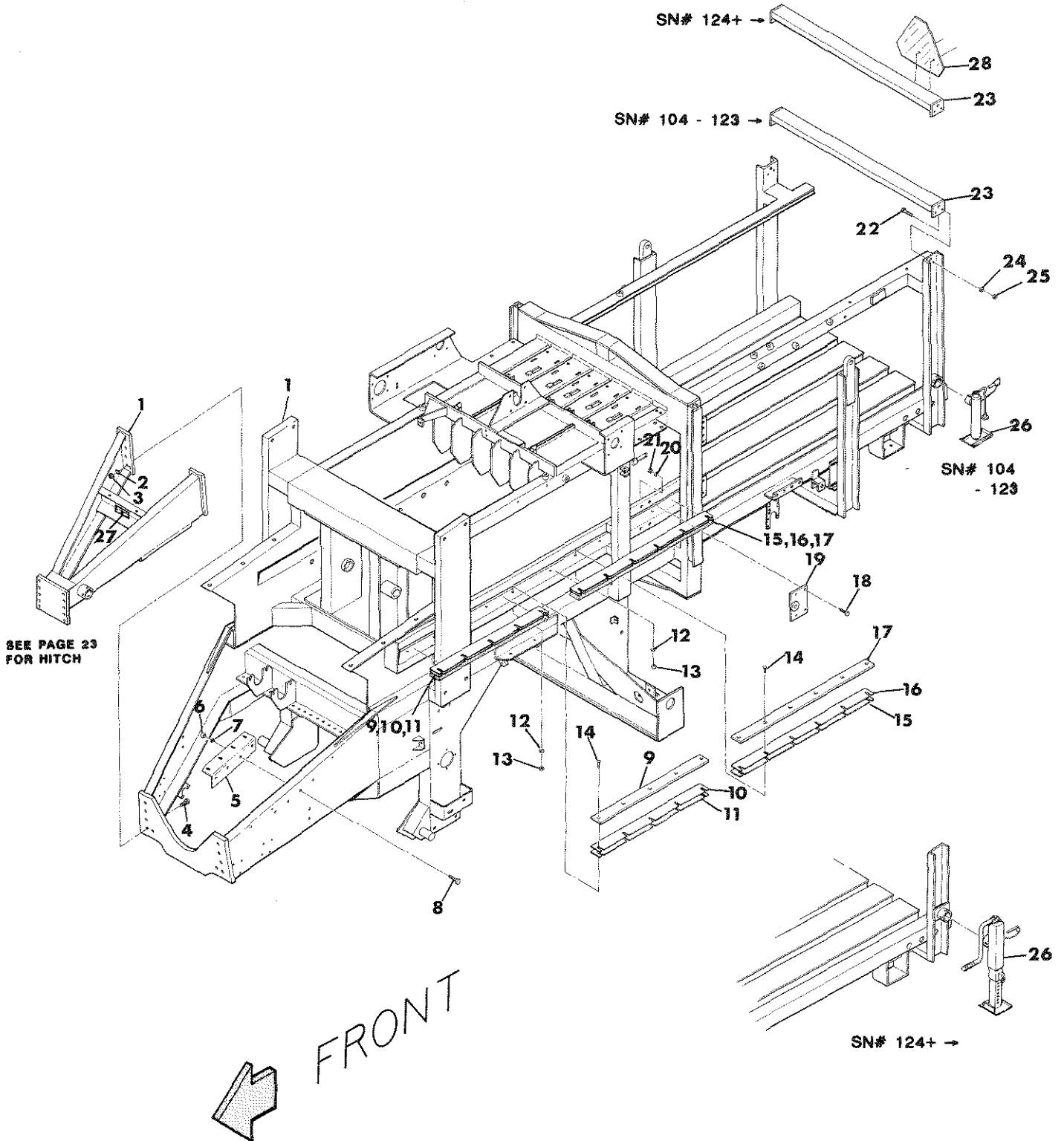
PART NUMBER INDEX

PART	PAGES	PART	PAGES	PART	PAGES
PNL0023428	118	ROD0023005	42	SHD0237731	28
PNL0216200	20	ROD0023525	126	SHF0014870	54
PPE0000125	70	ROD0023528	10	SHF0015365	74
PPE0001000	96	ROL0022066	63	SHF0015366	74
PPE0015000	96	RPE0000025	56	SHF0015527	80
PPE0040125	70	RS 0003786	68	SHF0017650	36
PPE0041250	94	RS 0008051	68	SHF0017651	44
PPE0041500	96	RS 0008230	68	SHF0022544	66
PPE0150900	96	RS 0008401	68	SHF0022555	62
PPE0500250	71	RS 0010500	68	SHF0022997	46
PPE1000350	96	RS 0036923	68	SHF0023003	38
PPE1250150	70	RS 0060240	68	SHF0023127	50, 52, 58
PPE1250350	70	RS 0376900	68	SHF0023128	52
PPE1252500	94	RS 0378210	68	SHF0023129	52
PPE2001500	96	RS 0378400	68	SHF0023130	52
PUL0000400	122, 123	RS 0378710	68	SHF0023131	52
PWB3751250	6	RS 0600330	68	SHF0023203	52
PWB3751500	2, 6, 8	RS 0601110	68	SHF0023204	52
PWB5001750	6	RS 0601503	68	SHF0023255	30
RAL0023318	21, 22	RS 0601900	68	SHF0024105	50
RAL0024152	22	RS 0605200	68	SHM0000102	63
RAL0024153	22	RS 5187344	68	SHM0000103	63
RAT0021858	122, 123	RS 5227344	68	SHM0015708	30
RAT0021872	122, 123	SCB0000103	122	SHM0015709	30
REF0000031	6	SC00000303	36, 38	SHM0015710	30
REF0878500	6	SC00000403	44, 46	SHM0017952	54
REF0878501	12, 13	SC00000505	62	SHM0020281	54
REL0000332	102	SC00030001	8	SHM0021483	23
REL0001112	115	SCO1703017	56	SHM0022716	2
RELO253781	114	SCS0000107	86	SHM0022717	2
RES0022897	118	SCS0000203	97	SHM0022718	8
RES0045019	114	SCS0000306	23	SHM0022726	2
RES0045022	114	SCS0000307	86	SHM0022727	2
RET0013474	104	SCS0000405	4	SHM0023544	10
RET0014893	54	SCS0040005	104	SHM0023545	10
RET0022627	118	SCS1024075	108	SHM0024385	126
RET0023771	16	SCSM008090	26	SHM0172811	54
RET0080656	26	SEL0000KT4	107	SHM0172812	54
RNG0000045	82	SEL0001203	104	SHM0172813	54
RNG0000914	104	SEL0001505	108	SHM0226040	8
RNG0000RG2	98	SEL0001590	104	SHM0226041	8
RNG0000RG3	98	SEL0022778	105	SHM0226050	8
RNG0002020	84	SEL0033772	120	SHM0226051	8
RNG0002037	97	SEL0034823	36, 38	SHR0023365	102
RNG0002119	84	SEL0149223	30	SHR0023371	102
RNG0002210	84	SEL0507949	52	SHV0000079	28
RNG0002219	84	SEL00TC3516	106	SHV0000080	28
RNG0002222	84	SEL6605511	56	SHV0000250	28
RNG0002250	104	SEL9511004	130	SLV00002501	70
RNG0002346	104	SGN0016161	6, 119	SLV0002509	70
RNG0003912	62, 116, 118	SGN0024006	2	SLV0015542	78, 80
RNG0003916	84	SHD0016584	78	SLV0018935	54
RNG0003920	84	SHD0017637	40, 42	SLV0149918	30
RNG0003924	84	SHD0017638	40, 42	SOK0012063	20
RNG0005262	114, 118	SHD0020822	102	SOK2031181	114
RNG0005263	114, 115, 116	SHD0020860	96	SOL0024059	14
RNG0008119	84	SHD0021538	62	SOL0320617	88
RNG0008346	104	SHD0023286	12	SPC0015399	66
RNG0023161	52	SHD0023287	13	SPC0015400	66
RNG0149396	30	SHD0023290	13	SPC0015552	74, 76
RNG0304118	26	SHD0023312	12	SPC0016001	66
RNG0351757	26	SHD0023373	102	SPC0016465	16
RNG0365521	26	SHD0023375	102	SPC0016659	40, 42
RNG0702100	26	SHD0023393	14	SPC0017064	104
RNG2222V90	130	SHD0023398	14	SPC0017429	102
RNG2400116	56	SHD0023399	14	SPC0017669	44, 46
RNG2400213	56	SHD0023412	20	SPC0021489	23
RNG2400908	56	SHD0023422	28	SPC0021601	76
RNG2400916	56	SHD0023440	30	SPC0021711	74, 76
RNG6705010	56	SHD0023442	20, 28, 47, 48, 124	SPC0021792	68
RNG9000120	84	SHD0023443	20	SPC0021881	126
RNG9004210	84	SHD0023476	30	SPC0022323	6
ROD0000160	62, 63	SHD0023979	12, 119	SPC0022551	66
ROD0000600	72	SHD0023980	13, 119	SPC0022552	66
ROD0001600	62	SHD0024071	14	SPC0022554	66
ROD0015498	30	SHD0176360	40, 42	SPC0022894	94
ROD0015503	62, 63	SHD0176361	40, 42	SPC0023264	54
ROD0015599	78, 80	SHD0234050	20	SPC0023265	54
ROD0015600	78	SHD0234051	20	SPC0023370	102
ROD0015601	78	SHD0235000	20	SPC0023388	88
ROD0015608	78	SHD0235001	20	SPC0023526	126
ROD0015671	72	SHD0235050	20	SPC0024097	48
ROD0015719	60, 62	SHD0235051	20	SPC0600100	118
ROD0015996	84	SHD0235080	28	SPC0843200	115
ROD0015997	84	SHD0235081	28	SPC1557014	114
ROD0017217	58	SHD0237720	28	SPC1557032	114
ROD0017218	66	SHD0237721	28	SPC8312025	128
ROD0021408	74	SHD0237730	28	SPG0000RS1	98

PART NUMBER INDEX

PART	PAGES	PART	PAGES	PART	PAGES
SPG0010555	126	TBE0023711	88	VLV0020054	97
SPG0011549	86	TBE0023712	88	VLV0022295	88
SPG0015375	84	TBE0023713	82, 85	VLV0023540	82, 84
SPG0015376	84, 97	TBE0023714	90, 91, 92	VLV0024086	130
SPG0015377	84	TBE0023715	90, 91, 92	VLV0075005	82, 96
SPG0015800	130	TBE0023716	90, 91, 92	VLV0104000	94, 130
SPG0016585	84	TBE0023717	88, 91, 92	VLV046J515	86
SPG0017462	40, 42	TBE0023718	88, 91, 92	VLV0512542	56, 82
SPG0021607	76	TBE0023719	82, 91, 92	VLV0981206	84
SPG0023160	3	TBE0024088	94	VLV1500CBE	86
SPG0030171	56	TC 000004C	107	VLV1500CBG	86
SPG0332185	26	TC 000004E	107	VLV3001200	94
SPG5107021	128	TC 000004N	107	VLV4640205	58, 60
SPG6703001	56	TC 000004O	107	VLV5081812	88
SPG6703007	56	TC 000004P	107	VLV5093551	58, 60
SPG9800366	84	TC 000004S	107	VLV6602502	56
SPG9800311	84	TC 000004V	107	VLV6701001	56
SPK0000536	44, 46	TC 0000350	106	VLV9510083	82, 84
SPK0000554	44, 46	TC 000035C	106	VLV9510437	84
SPK0002416	44, 46	TC 000035E	106	VLV9510438	84
SPK0005023	44, 46	TC 000035N	106	VLV9510649	84
SPK0005035	44, 46	TC 000035P	106	VLV9803462	84
SPK0005041	44, 46	TC 000035S	106	WAS0000025	86
SPK0006056	62	TC 000035V	106	WAS0000102	4, 104
SPK0015698	62	TC 00004EC	107	WAS0000104	50, 58, 62, 104, 126
SPK0015701	60	TC 00004RW	107	WAS0000105	30
SPK0016363	66	TC 00004SC	107	WAS0000107	86
SPK0017769	44, 46	TC 00004SO	107	WAS0000118	30, 62
SPK0041401	66	TC 00004UP	107	WAS0000139	58, 60, 62
SPK0080140	62	TC 00004US	107	WAS0000313	97
SPK0080190	58	TC 00035EC	106	WAS0015783	44, 46, 104
SPK0080210	60	TC 00035RW	106	WAS0020049	6, 54
SPK0080360	44, 46, 58	TC 00035SC	106	WAS0020805	98
SPK011536S	44, 46, 66	TC 00035SO	106	WAS0024386	126
SPK0602202	44, 46, 58	TC 00035UP	106	WAS0093781	96, 98
SPK128012S	58, 60, 62	TC 00035US	106	WAS2802017	128
SPN0017647	36, 38	TEB0472102	18, 96, 102, 115	WAS2804018	128
SPN0023108	120	TEB0472105	14	WAS5607129	114
SPN0024406	128	TEB0472110	102, 116, 117	WAS5617731	114
STD0017449	96, 114	THM0018054	96, 110	WAS6503024	128
STD8307065	128	TIN0231340	50	WAS9009625	84
STO0021878	31, 32, 34	TIN0231341	50	WCB0001000	114, 115
STP0002000	3, 13, 21	TIR0004008	36, 38	WCB0087500	76
STP0022596	129	TIR2312610	120	WHL0001500	120
STS1032251	105	TNK0015455	96	WHL0401530	36, 38
STS2200709	56	TNK0023075	96	WHL0412530	36, 38
STS2500313	80	TNS0015598	78	WHL0506303	120
STS4375075	30	TNS0020209	3	WHL0508184	120
STS9007774	84	TNS0022247	3	WIP0022693	8
SUP0021636	30	TNS0022340	3	WIP0110052	104
SUP0022487	55	TNS0022468	3	YOK0017400	2, 3, 6
SUP0022597	129	TNS0022470	3	YOK0022475	63
SUP0023344	21	TNS0228720	3	YOK0024007	2
SUP0023357	10	TNS0228721	3	YOK0365725	24
SUP0023362	66	VLCS081812	88	ZZ 0000100	54, 62, 63
SUP0023479	10	VLV0000026	86	ZZ 0000103	8, 52
SUP0023521	126	VLV0000027	88	ZZ 0000104	30
SUP0023522	126	VLV0000104	94	ZZ 0000105	23, 30
SUP0023670	20	VLV0000416	86	ZZ 0000107	66
SUP0216270	2	VLV0000453	82	ZZ 0000203	52
SUP0216271	2	VLV0000708	88	ZZ 0000209	62
SUP0233270	10	VLV0001501	84	ZZ 0000218	62
SUP0233271	10	VLV0001502	84	ZZ 0000219	36, 38, 62
SUP0233430	10	VLV0001511	98	ZZ 0000238	120
SUP0233431	10	VLV0002005	88	ZZ 0000403	28, 71
SUP0233770	102	VLV0006001	96	ZZ 0000404	80
SUP0233771	102	VLV000RF28	98	ZZ 0000406	44, 46
SUP0234260	10, 16	VLV0013762	82, 84	ZZ 0000414	44, 46
SUP0234261	10, 16	VLV0013763	84	ZZ 0000425	54
SUP0234500	10	VLV0013764	84	ZZ 0000426	62
SUP0234501	10	VLV0013765	84	ZZ 0000431	60
SUP1483300	63	VLV0013766	84	ZZ 0000432	58, 62
SUP1483301	63	VLV0013767	84	ZZ 0000438	44, 46
SUP1763300	40, 42	VLV0013768	84	ZZ 0000450	44, 46
SUP1763301	40, 42	VLV0013769	84	ZZ 0000451	52, 62
SUP1763500	40, 42	VLV0013770	84	ZZ 0000453	52
SUP1763501	40, 42	VLV0013771	84	ZZ 0000454	44, 46
SWI0000090	96	VLV0013772	84	ZZ 0000456	54
SWI0005028	114, 118	VLV0015004	88	ZZ 0000457	62
SWI0005065	18, 114	VLV0015005	88	ZZ 0000458	28, 58
SWI0005079	60, 62, 65, 112	VLV0015006	88	ZZ 0000500	102
SWI0005081	62, 80, 112	VLV0015957	84	ZZ 0000704	62
SWI0005091	114	VLV0017225	130	ZZ 0000705	40, 42, 44, 46, 76
TBE0002501	70	VLV0017226	84	ZZ 0000715	36, 38
TBE0002509	58, 60, 70	VLV0017304	86	ZZ 0000723	63
TBE0021887	124	VLV0020051	97	ZZ 0000726	80
TBE0023585	47	VLV0020052	97	ZZ 0001909	54
TBE0023704	94	VLV0020053	97	ZZ 0002003	78
				ZZ 0002014	126
				ZZ 2411001	128

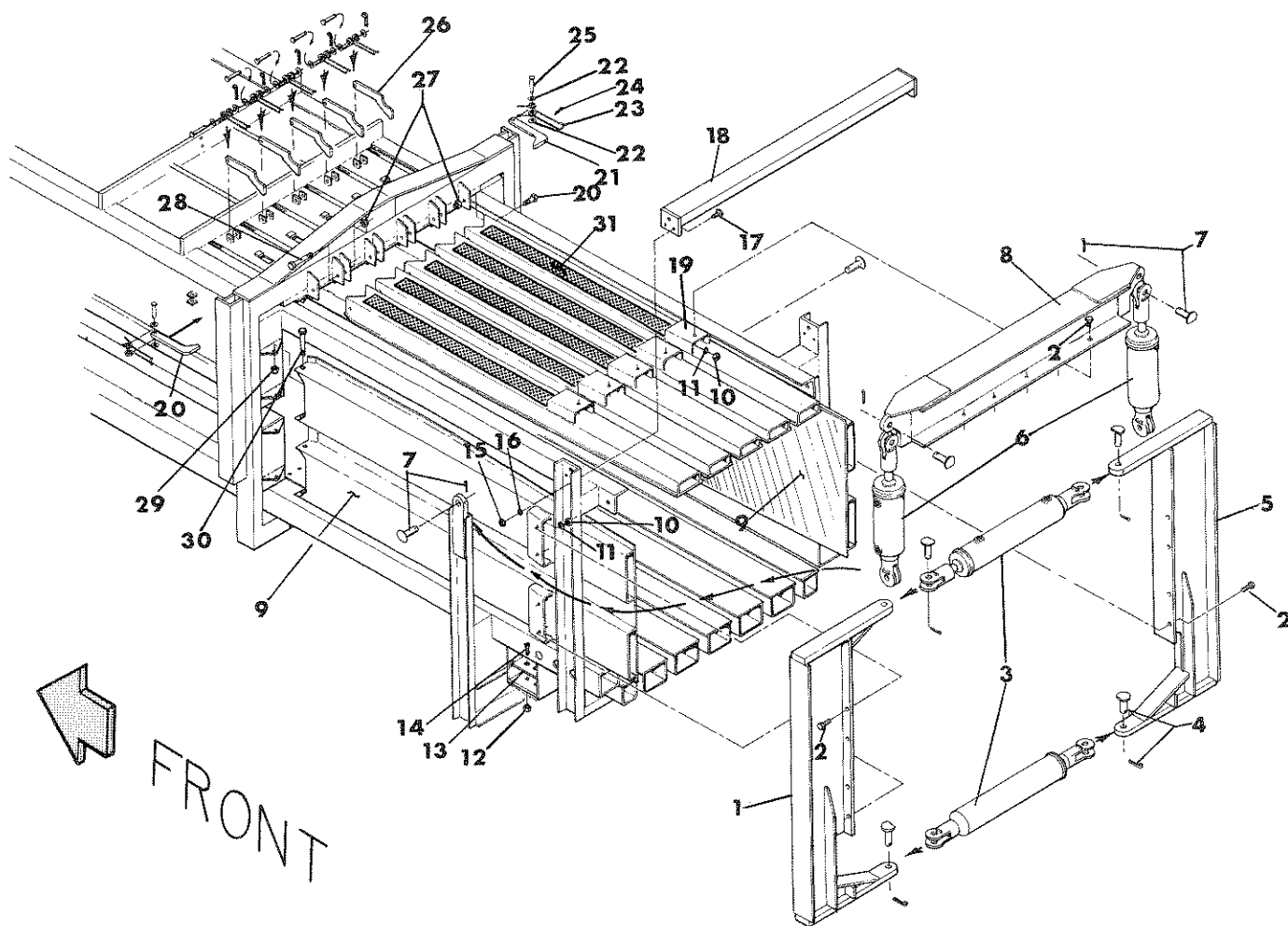
MAIN FRAME



MAIN FRAME

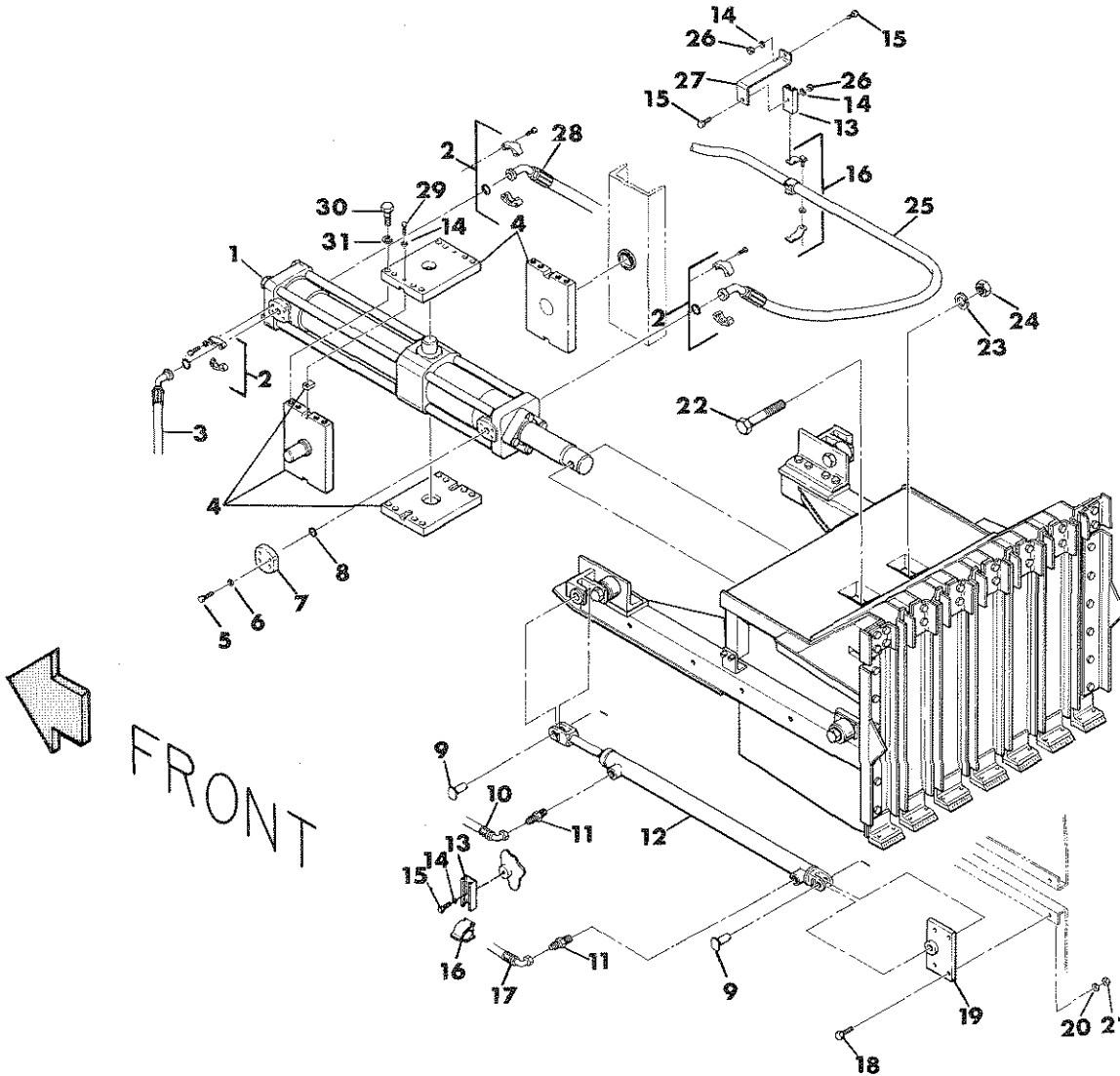
REF NO.	PART NO.	DESCRIPTION	QTY. USED
1	FRM0001590	MAIN FRAME	1
2	WLK0000750	3/4" LOCKWASHER - PLATED	10
3	NCH0000750	3/4" NC HEX NUT - PLATED	10
4	SCC0000810	3/4 X 3 NC HT CAP SCREW	10
5	SUP0216270	L. H. FLYWHEEL FRM MNT SUPPORT	1
5	SUP0216271	R. H. FLYWHEEL FRM MNT SUPPORT	1
6	NCH0006250	5/8" NC HEX NUT	8
7	WLK0006250	5/8" LOCKWASHER	8
8	SCC0000708	5/8 X 2-1/2 NC HT CAP SCREW	8
9	PLG0022712	FRONT ROLLER RAIL	4
10	SHM0022726	FRONT ROLLER RAIL SHIM -20 GA A/R	
11	SHM0022716	FRONT ROLLER RAIL SHIM -16 GA	6
12	WLK0000375	3/8" LOCKWASHER - PLATED	44
13	NCH0000375	3/8" NC HEX NUT - PLATED	44
14	PWB3751500	3/8 X 1-1/2 NC PLOW BOLT	44
15	PLG0022713	REAR ROLLER RAIL	4
16	SHM0022727	REAR ROLLER RAIL SHIM -20 GA. A/R	
17	SHM0022717	REAR ROLLER RAIL SHIM -16 GA.	6
18	SCC0050003	1/2 X 1-1/4 NC HT CS - PLATED	8
19	MNT0022633	MAKE-UP CYLINDER MOUNT	2
20	WLK0000500	1/2" LOCKWASHER - PLATED	8
21	NCH0000500	1/2" NC HEX NUT - PLATED	8
22	SCC0000403	7/16 X 1-1/4 NC HT CAP SCREW	4
23	YOK0017400	TOP REAR CHMB YOKE SN#104 - 123	1
23	YOK0024007	REAR FRM CHAMBER YOKE SN# 124+	1
24	WLK0004375	7/16" LOCKWASHER	4
25	NCH0004375	7/16" NC HEX NUT	4
26	JCK0000198	TONGUE JACK SN#104 - 123	1
26	JCK0000205	BUMPER JACK 9000# SN# 124+	1
27	FD 0022124	DECAL, PATENT NUMBERS-HAY EQUIP	1
28	SGN0024006	"SLOW MOVING VEHICLE" SIGN	1

TENSION RAILS



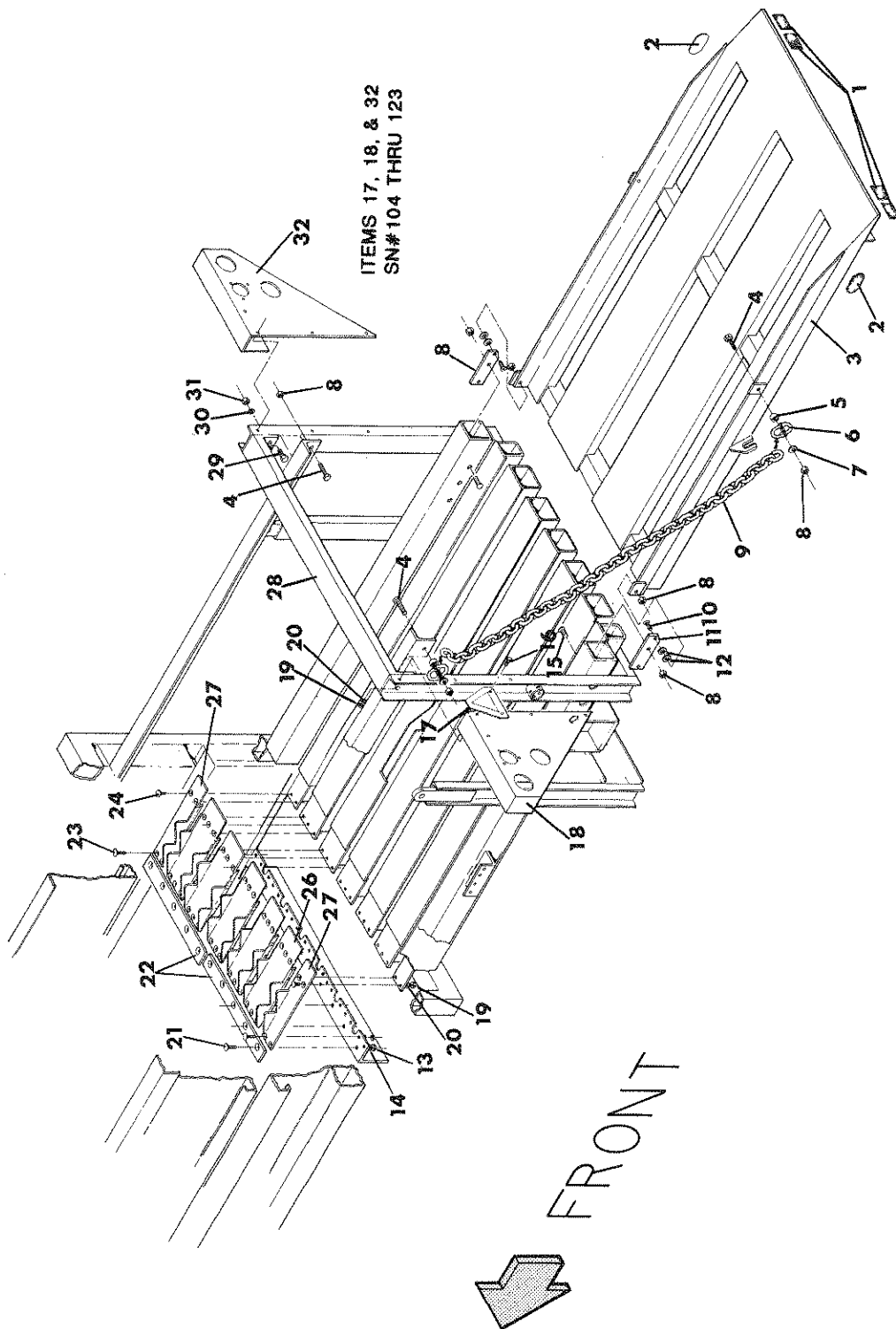
REF NO.	PART NO.	DESCRIPTION	QTY. USED
1	TNSO228720	LEFT SIDE COMPRESSION BEAM	1
2	SCCO050003	1/2 X 1-1/4 NC HT CS - PLATED	13
3	CYLOTC3516	TC3.5 X 16 HYD CYL - MODIFIED	2
4	HYPO0FA35P	CLEVIS PIN W/COTTER PIN	4
5	TNSO228721	RIGHT SIDE COMPRESSION BEAM	1
6	CYLOOTC408	TC4 X 8 HYD CYL - MODIFIED	2
7	HYPO00FA4P	CLEVIS PIN W/COTTER PIN	4
8	TNSO022468	TOP TENS RAIL COMPRESSION BEAM	1
9	TNSO022247	SIDE TENSION RAIL	2
10	NCH0000500	1/2" NC HEX NUT - PLATED	13
11	WLK0000500	1/2" LOCKWASHER - PLATED	13
12	NCE0000250	1/4" NC ESNA NUT - PLATED	4
13	LINO016227	BEAM SUPPORT WEAR LINER	2
14	SMFO001003	1/4 X 1-1/4 FH MACH SC-PLTD	4
15	NCH0004375	7/16" NC HEX NUT	4
16	WLK0004375	7/16" LOCKWASHER	4
17	SCCO000403	7/16 X 1-1/4 NC HT CAP SCREW	4
18	YOKO017400	TOP REAR CHMB YOKE	1
19	TNSO022470	TOP TENSION RAIL	5
20	SFCO080706	5/8 X 2 NF GR 8 CAP SCREW	2
21	DOG0014820	CHAMBER DOG	2
22	WCTO000500	1/2" FLATWASHER - PLATED	14
23	SPGO023160	HAY DOG SPRINGS	7
24	COTO000503	1/8 X 1-1/4 COTTER PIN	7
25	CLVO005035	1/2 X 3-1/2 CLEVIS PIN	7
26	DOG0023159	TOP CHAMBER DOG	5
27	NFE0000625	5/8" NF ESNA NUT - PLATED	6
28	TNSO020209	TOP TEN RAIL CTR PIVOT BOLT	4
29	NCE0010000	1" NC ESNA NUT	8
30	TNSO022340	SIDE TENSION RAIL PIVOT BOLT	8
31	STPO002000	STEP COVER-SAFETY WALK 2"	A/R

PLUNGER CYLINDERS AND MOUNTS



REF NO.	PART NO.	DESCRIPTION	QTY. USED	REF NO.	PART NO.	DESCRIPTION	QTY. USED
1	CYLO001590	PLUNGER CYLINDER	1	17	HOS0023451	LEFT MAKE-UP CYLINDER HOSE	1
2	FLG0001501	1" SPLIT FLG W/O-RING & BOLT KIT	3	17	HOS0023452	RIGHT MAKE-UP CYLINDER HOSE	1
3	HOS0015875	PLUNGER CYLINDER HOSE	1	18	SCC0050003	1/2 X 1-1/4 NC HT CS - PLATED	8
4	FRM0014865	GIMBAL FRAME	1	19	MNT0022633	MAKE-UP CYLINDER MOUNT	2
5	SCS0000405	7/16 X 1-3/4 NC SOCKET HEAD CS	4	20	WLK0000500	1/2" LOCKWASHER - PLATED	8
6	WAS0000102	7/16 HIGH COLLAR LOCKWASHER	4	21	NCH0000500	1/2" NC HEX NUT - PLATED	8
7	FLG0001660	1" CODE 62 BLIND FLANGE	1	22	SCC0080750	1-1/4 X 7-1/2 NC GR 8 CAP SCREW	1
8	F 0006450	O-RING F/F6269 4-BOLT FLANGE	1	23	WLK0125000	1-1/4 HEAVY LOCKWASHER	1
9	HYP FA22-P	CLEVIS PIN AND COTTER PIN	4	24	NCH0012500	1-1/4" NC HEX NUT	1
10	HOS0023453	MAKE-UP CYLINDER RETURN HOSE	2	25	HOS0015877	PLUNGER CYLINDER HOSE	1
11	HYD5205070	1" JIC X 1" NPT MALE CONN	4	26	NCH0000375	3/8" NC HEX NUT - PLATED	2
12	CYLO022778	MAKE-UP CYLINDER	2	27	BKT0023474	MAKE-UP CYL HOSE CLAMP BRACKET	1
13	MNT0020255	HOSE CLAMP MOUNT CHANNEL	3	28	HOS0015874	PLUNGER CYLINDER HOSE	1
14	WLK0000375	3/8" LOCKWASHER - PLATED	8	29	SCC0030006	3/8 X 2 NC HT CS - PLATED	4
15	SCC0030003	3/8 X 1-1/4 NC HT CS - PLATED	3	30	SCC0080009	3/4 X 2-3/4 NC HT CS - PLATED	16
16	CLP0100150	1-1/2 HYDRA ZORB HOSE CLAMP	3	31	WLK0000750	3/4" LOCKWASHER - PLATED	16

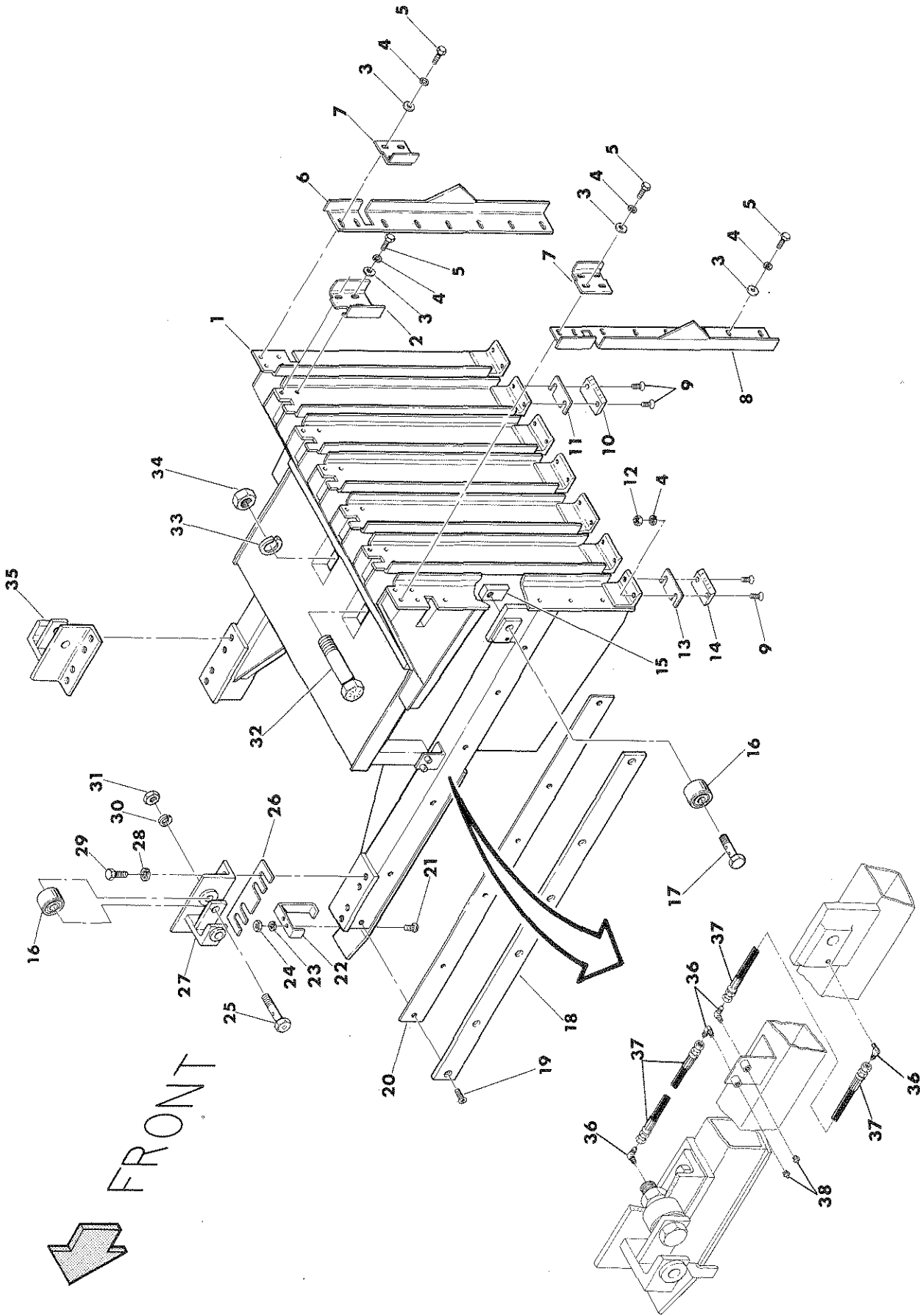
REAR CHAMBER AND BALE CHUTE



REAR CHAMBER AND BALE CHUTE

REF NO.	PART NO.	DESCRIPTION	QTY. USED
1	REF0000031	REFLECTOR-RECT. RED ADH. BACK.	4
2	REF0878500	RED STICK-ON REFLECTOR	2
3	CHU0022269	BALE CHUTE	1
4	SCC0005006	1/2 X 2 NC HT CS - PLATED	4
5	SPC0022323	CHAIN ANCHOR SPACER	4
6	CHK0000336	CONNECTING LINK 3/8	4
7	WAS0020049	RUBBER BUSHING WASHER	4
8	NCE0000500	1/2" NC ESNA NUT - PLATED	16
9	CHN375HT50	3/8"HIGH TEST COIL CHAIN X 50L	2
10	SBH0005007	1/2 X 2-1/4 BUTTON HD - PLT	2
11	MNT0022268	BALE CHUTE MOUNT	2
12	WCT0000500	1/2" FLATWASHER - PLATED	6
13	NCH0000500	1/2" NC HEX NUT - PLATED	12
14	WLK0000500	1/2" LOCKWASHER - PLATED	12
15	SBH0005004	1/2 X 1-1/2 NC BUTTON HD - PLT	4
16	SCC0030002	3/8 X 1 NC HT CS - PLATED	8
17	SGN0016161	"SLOW MOVING VEHICLE"	1
18	BKT0233530	L.H. REAR LIGHT BRACKET	1
19	NCH0000375	3/8" NC HEX NUT - PLATED	47
20	WLK0000375	3/8" LOCKWASHER - PLATED	47
21	PWB5001750	1/2 X 1-3/4 NC PLOW BOLT	10
22	KNF0014787	MAIN FRAME STATION KNIFE	2
23	PWB3751500	3/8 X 1-1/2 NC PLOW BOLT	19
24	PWB3751250	3/8 X 1-1/4 NC PLOW BOLT	19
25	LIN0225240	LH OUTSIDE CHMB LINE& BALE DOG	1
26	LIN0022522	CENTER CHMB LINER & BALE DOG	5
27	LIN0225241	RH OUTSIDE CHMB LINE& BALE DOG	1
28	YOK0017400	TOP REAR CHMB YOKE	1
29	SCC0040005	7/16 X 1-3/4 NC HT CS - PLATED	4
30	WLK0000438	7/16" LOCKWASHER - PLATED	4
31	NCH0000437	7/16" NC HEX NUT - PLATED	4
32	BKT0233531	R.H. REAR LIGHT BRACKET	1

PLUNGER ASSEMBLY

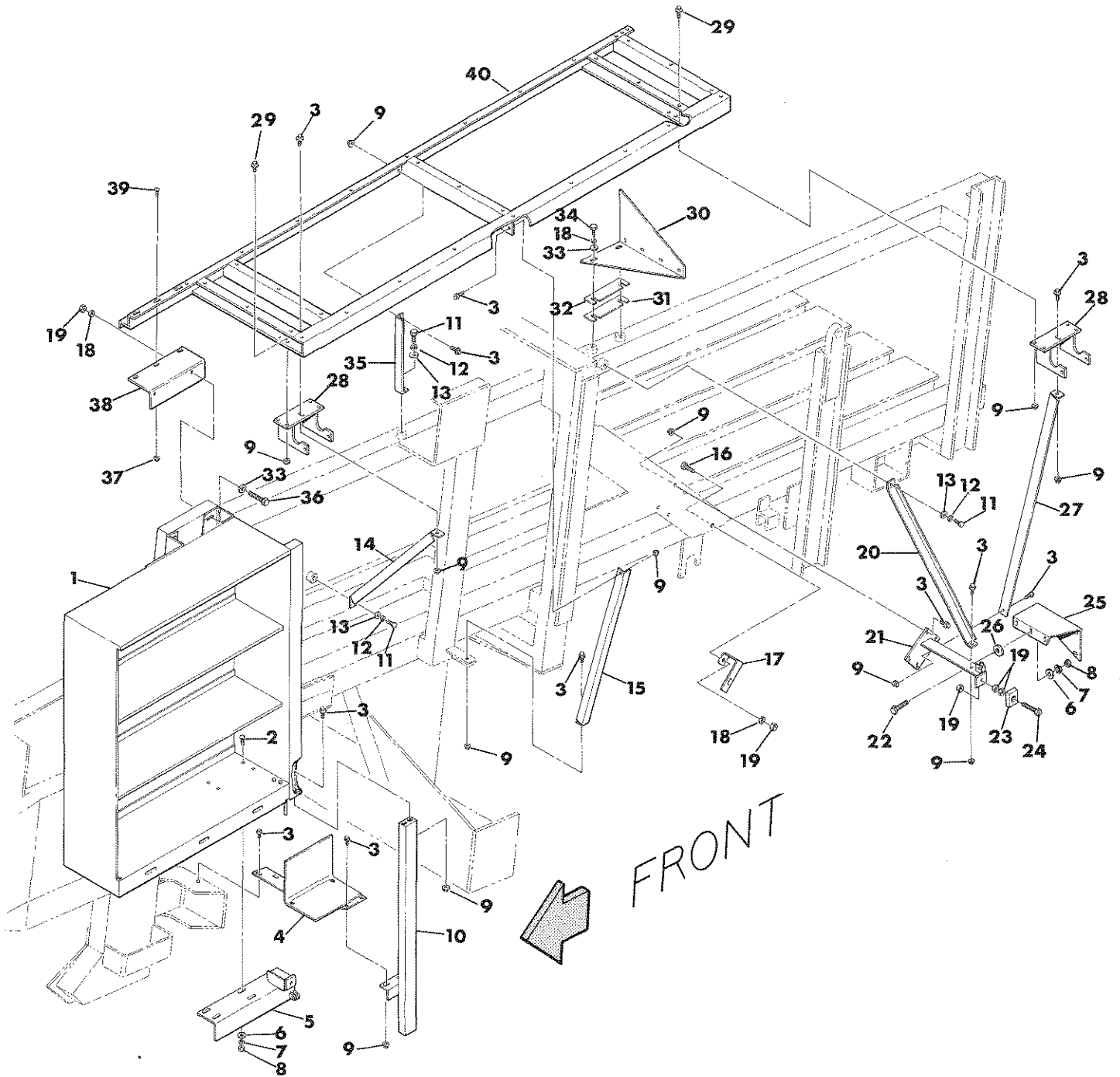


PLUNGER ASSEMBLY

PLG168-8-3 PLUNGER ASSEMBLY COMPLETE

REF NO.	PART NO.	DESCRIPTION	QTY. USED
1	PLG0022606	PLUNGER FRAME	1
2	PLG0022635	PLUNGER CENTER FACE EXTENSION	5
3	WCT0000375	3/8" FLATWASHER - PLATED	31
4	WLK0000375	3/8" LOCKWASHER - PLATED	31
5	SCC0030001	3/8 X 3/4 NC HT CS - PLATED	31
6	PLG1496701	RH PLUNGER FACE EXTENSION	1
7	PLG0022641	PLUNGER OUTSIDE EXTENSION	2
8	PLG1496700	LH PLUNGER FACE EXTENSION	1
9	PWB3751500	3/8 X 1-1/2 NC PLOW BOLT	14
10	KNF0022602	PLUNGER CENTER KNIFE	5
11	SHM0226040	16 GA CENTER KNIFE SHIM	A/R
11	SHM0226041	30 GA CENTER KNIFE SHIM	A/R
12	NCH0000375	3/8" NC HEX NUT - PLATED	14
13	SHM0226050	16 GA OUTSIDE KNIFE SHIM	A/R
13	SHM0226051	30 GA OUTSIDE KNIFE SHIM	A/R
14	KNF0022603	PLUNGER OUTSIDE KNIFE	2
15	PLG0022711	PLUNGER ROLLER BOLT NUT	2
16	BRG00CYR3S	PLUNGER ROLLER BEARING	4
17	PLG0014979	REAR PLUNGER ROLLER BOLT	2
18	PLG0014973	PLUNGER SIDE RAIL	2
19	SC00030001	3/8 X 3/4 NC FH SOC CS PLTD	14
20	PLG0014974	PLUNGER SLIDE SHIM	2
21	SMF1032500	10-32 X 1/2 FH MACHINE SCREW	2
22	WIPO022693	SWITCH CAM WIPER	1
23	WLK0000100	#10 LOCKWASHER - PLATED	2
24	NFH0001032	10-32 NF HEX NUT - PLATED	2
25	PLG0022629	PLUNGER FRONT ROLLER BOLT	2
26	SHM022718	FRONT ROLLER SHIM	A/R
27	MNT0023310	LEFT CYLINDER & ROLLER MOUNT	1
28	WLK0000625	5/8" LOCKWASHER - PLATED	8
29	SCC0070004	5/8 X 1-1/2 NC HT CS - PLATED	8
30	WLK0010000	1" LOCKWASHER - PLATED	2
31	NFH0010000	1" NF HEX NUT	2
32	SCC0080750	1-1/4X 7-1/2 NC GR 8 CAP SCREW	1
33	WLK0125000	1-1/4 HEAVY LOCKWASHER	1
34	NCH0012500	1-1/4" NC HEX NUT	1
35	MNT0023309	RIGHT CYLINDER & ROLLER MOUNT	1
36	HYD5405020	1/4 JIC X 1/8 NPT 90* MALE ELB	8
37	HOS0023436	PLUNGER ROLLER LUBER LINE	4
38	ZZ 0000103	1/8 NPT STR 7/16 HEX ZERK	4

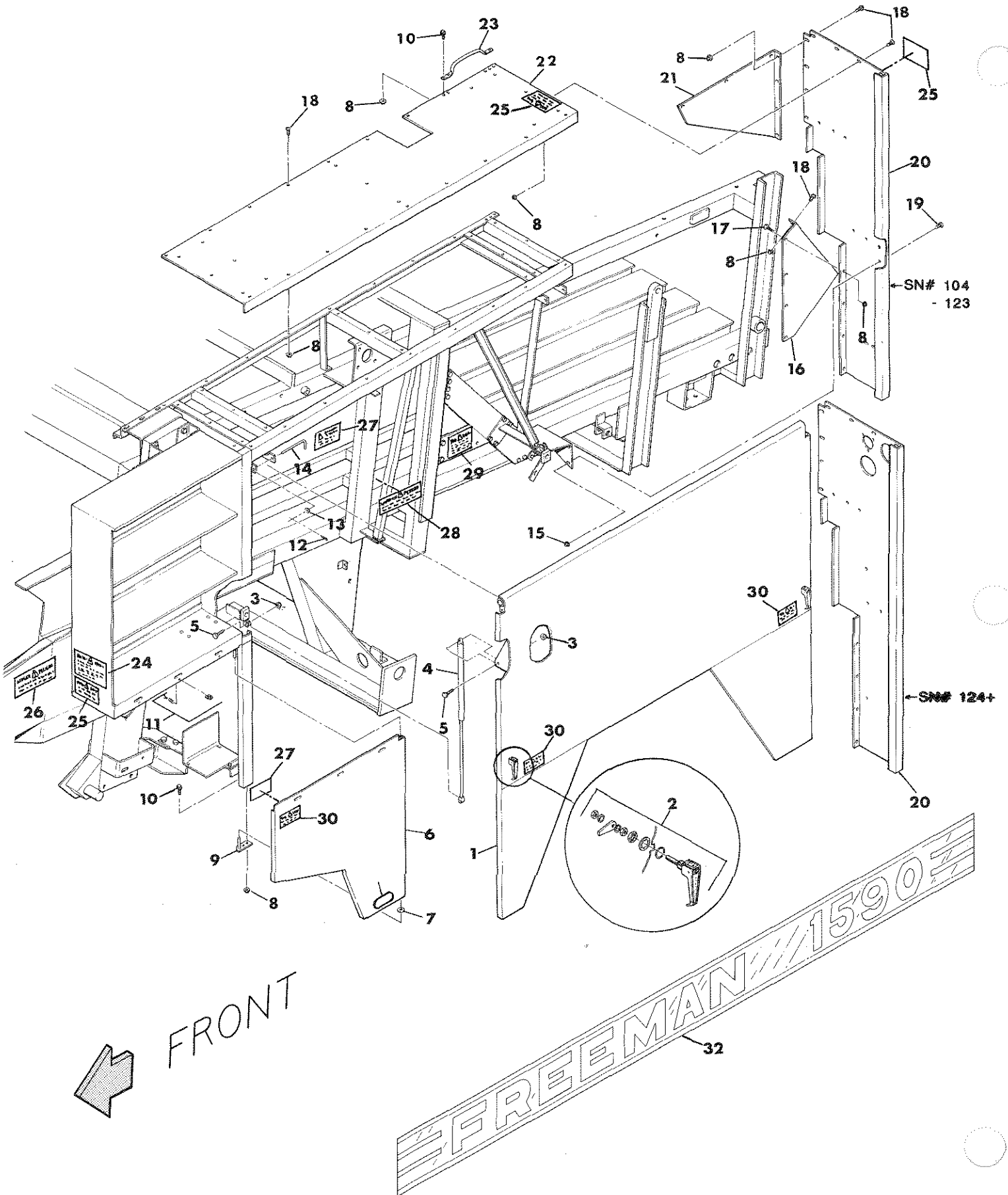
SIDE SHIELD FRAMES AND DOOR SUPPORTS



SIDE SHIELD FRAMES AND DOOR SUPPORTS

REF NO.	PART NO.	DESCRIPTION	QTY. USED
1	BOX0232210	LEFT HAND TWINE BOX	1
1	BOX0232211	RIGHT HAND TWINE BOX	1
2	CRB3130100	5/16X 1 CARRIAGE BOLT-PLTD	8
3	SMS0000184	5/16 X 3/4 NC WHIZ BOLT-PLATED	28
4	BRC0233921	R. H. DOOR SUPPORT BRACE	1
4	MNT0023489	LEFT DOOR SUPPORT BRACE	1
5	MNT0233030	L. H. GAS SPRING FRM MOUNT ASY	1
5	MNT0233031	L. H. GAS SPRING FRM MOUNT ASY	1
6	WCT0000313	5/16" FLATWASHER - PLATED	8
7	WLK0000313	5/16" LOCKWASHER - PLATED	8
8	NCH0000313	5/16 NC HEX NUT - PLATED	8
9	NMS0000117	5/16 NC WHIZ NUT - PLATED	48
10	SUP0023357	LOWER RIGHT DOOR SUPPORT	1
10	SUP0023479	LOWER LEFT DOOR SUPPORT	1
11	SCC0030002	3/8 X 1 NC HT CS - PLATED	6
12	WLK0000375	3/8" LOCKWASHER - PLATED	6
13	WCT0000375	3/8" FLATWASHER - PLATED	6
14	BRC0233310	LEFT HAND FRONT KNEE BRACE	1
14	BRC0233311	RIGHT HAND FRONT KNEE BRACE	1
15	BRC0233260	L. H. DOOR CENTER KNEE BRACE	1
15	BRC0233261	R. H. DOOR CENTER KNEE BRACE	1
16	SCC0050004	1/2 X 1-1/2 NC HT CS - PLATED	2
17	BKT0023355	NEEDLE YOKE GUARD BRACKET	2
18	WLK0000500	1/2" LOCKWASHER - PLATED	10
19	NCH0000500	1/2" NC HEX NUT - PLATED	22
20	BRC0233300	LEFT HAND REAR KNEE BRACE	1
20	BRC0233301	RIGHT HAND REAR KNEE BRACE	1
21	MNT0233230	L. H. GAS SPG REAR FRM MNT ASY	1
21	MNT0233231	R. H. GAS SPG REAR FRM MNT ASY	1
22	SCC0020006	5/16 X 2 NC HT CS - PLATED	6
23	20-112	BUMPER	4
24	ROD0023528	DOOR BUMPER ADJUST ROD ASSY	4
25	SUP0233430	L.H. REAR SHIELD LOWER SUPPORT	1
25	SUP0233431	R. H. REAR SHD LOWER SUPT	1
26	WCT0000313	5/16" FLATWASHER - PLATED	A/R
27	BRC0233290	L. H. DOOR REAR KNEE BRACE	1
27	BRC0233291	R. H. DOOR REAR KNEE BRACE	1
28	MNT0023283	MAIN DOOR MOUNT ASSEMBLY	4
29	SMS0000177	5/16 X 1 NC WHIZ BOLT-PLATED	16
30	SUP0234500	L.H. REAR SHIELD UPPER SUPPORT	1
30	SUP0234501	R.H. REAR SHIELD UPPER SUPPORT	1
31	SHM0023544	10GA SHIELD SUPPORT SHIM	A/R
32	SHM0023545	16GA SHIELD SUPPORT SHIM	A/R
33	WCT0000500	1/2" FLATWASHER - PLATED	8
34	SCC0050003	1/2 X 1-1/4 NC HT CS - PLATED	4
35	SUP0233270	L. H. CENTER SHD SUP LEG	1
35	SUP0233271	R. H. CENTER SHD SUP LEG	1
36	SCC0050011	1/2 X 3-1/4 NC HT CS - PLATED	4
37	NMS0000250	1/4" NC WHIZ NUT - PLATED	6
38	SUP0234260	L. H. FRONT CHANNEL SUPT.	1
38	SUP0234261	R.H. FRONT CHANNEL SUPPORT	1
39	SMT0000101	1/4 X 3/4 TH MACHINE SCREW	6
40	FRM0232910	R.H. TOP SHIELD SUPPORT ASSY	1
40	FRM0232911	L.H. TOP SHIELD SUPPORT ASSY	1

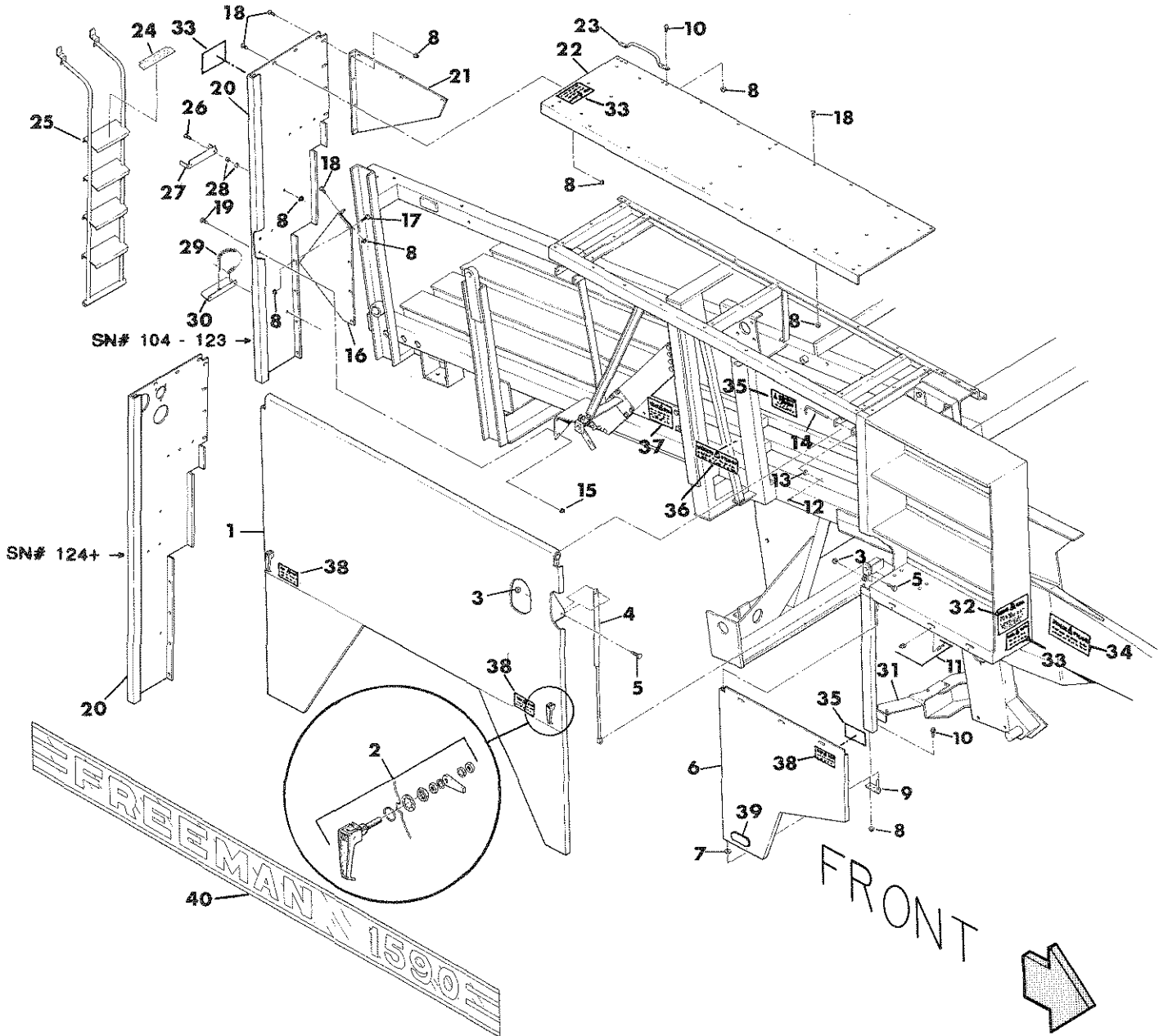
LEFT SIDE SHIELDS AND DOORS



LEFT SIDE SHIELDS AND DOORS

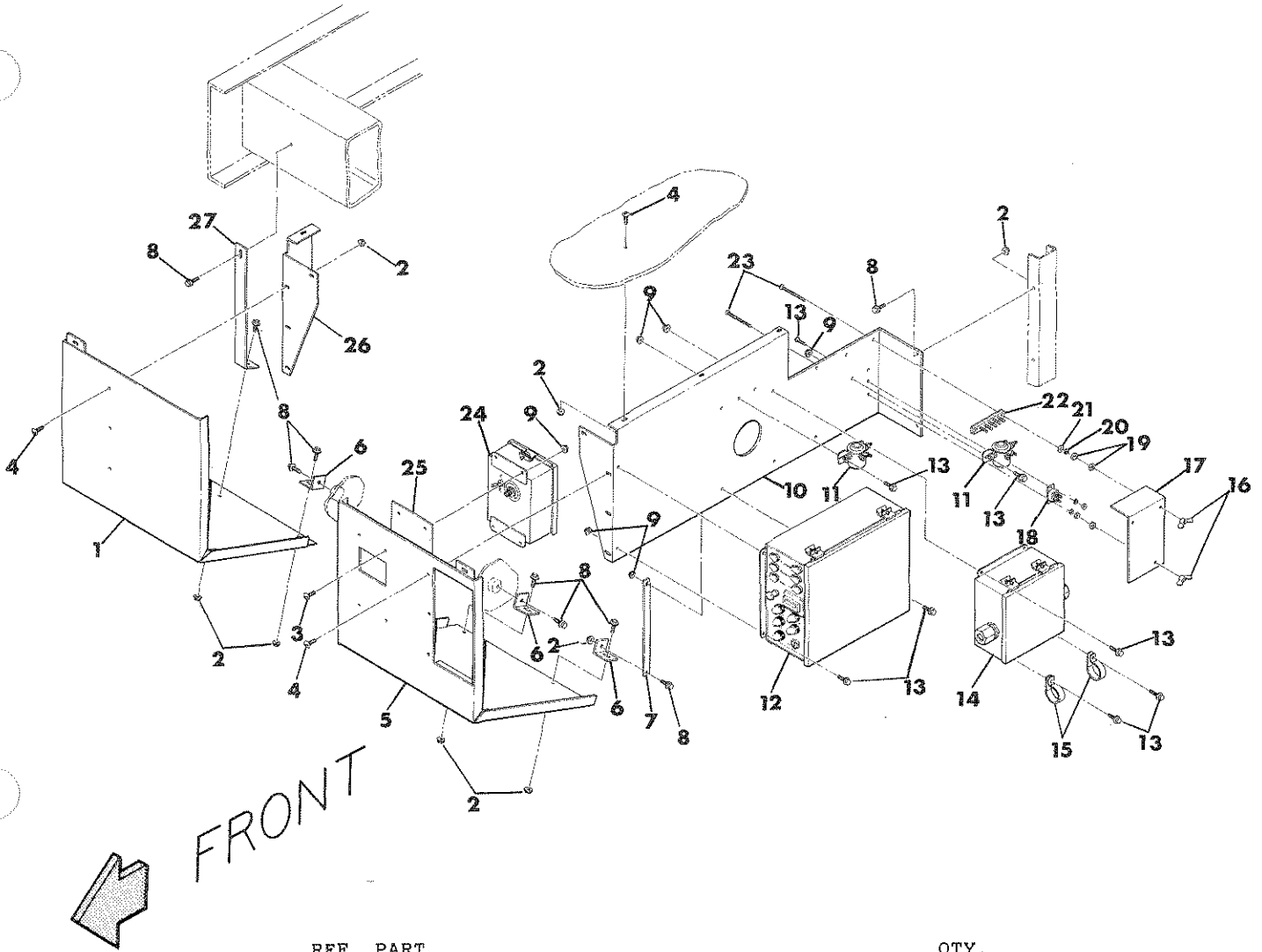
REF NO.	PART NO.	DESCRIPTION	QTY. USED
1	DOR0232790	L. H. MAIN DOOR ASSEMBLY	1
2	HAN6210603	LIFT-N-LATCH HANDLE	1
3	NCE0000313	5/16" NC ESNA NUT - PLATED	8
4	CYLO080614	GAS SPRING CYLINDER	2
5	SCC0020004	5/16 X 1-1/2 NC HT CS - PLATED	4
6	DOR0233320	L. H. LOWER FRONT DOOR	1
7	WCT0000375	3/8" FLATWASHER - PLATED	A/R
8	NMS0000250	1/4" NC WHIZ NUT - PLATED	51
9	HNG0233390	L. H. LOWER DOOR HINGE	1
10	SMS0000172	1/4 X 3/4 NC WHIZ BOLT-PLATED	6
11	FST0010401	MED DUTY FOLDING HANDLE FASTNR	3
12	COT0000801	3/16 X 1 COTTER PIN	2
13	WCT0000375	3/8" FLATWASHER - PLATED	2
14	PINO023475	SIDE DOOR HINGE PIN	2
15	NMS0000117	5/16 NC WHIZ NUT - PLATED	4
16	GRD0233110	L. H. NEEDLE YOKE GUARD	1
17	SMT0001001	1/4 X 3/4 TH MACH SCREW-PLT	4
18	SMT0001003	1/4 X 5/8 TH MACH SCREW-PLT	42
19	SMT0002001	5/16 X 3/4 TH MACH SCREW-PLT	4
20	SHD0023312	LEFT REAR SHIELD SN#104 - 123	1
20	SHD0023979	LEFT REAR SHIELD SN#124 †	1
21	CVR0234080	L. H. REAR CLOSURE PLATE	1
22	SHD0023286	TOP LEFT SHIELD	1
23	HAN0000817	CHROME GRAB HANDLE	1
24	FD 0023579	"CAUTION!1..2..3..10 WARNINGS"	1
24	FD 008450E	DECAL - EUROPEAN VERSION	1
25	FD 0023538	DECAL "WARNING!DO NOT RIDE ON"	3
26	FD 000060E	DECAL - EUROPEAN VERSION	3
26	FD 0023574	"DANGER!KEEP AWAY FROM OPEN.."	1
26	FD 000049E	DECAL - EUROPEAN VERSION	1
27	FD 0023580	"CAUTION!KEEP DOORS CLOSED..."	2
27	FD 0024081	DECAL - EUROPEAN VERSION	2
28	FD 0023582	DECAL "WARNING!KEEP HANDS AWAY	1
28	FD 000049E	DECAL - EUROPEAN VERSION	1
29	FD 0023571	DECAL "DANGER!SERIOUS INJURY."	1
29	FD 000061E	DECAL - EUROPEAN VERSION	1
30	FD 0023576	DECAL "DANGER!LOOK & LISTEN"	3
30	FD 000059E	DECAL - EUROPEAN VERSION	3
31	REF0878501	YELLOW REFLECTOR-STICK ON	1
32	FD 0024109	L.H. "FREEMAN 1590" DECAL	1

RIGHT SIDE SHIELDS AND DOORS



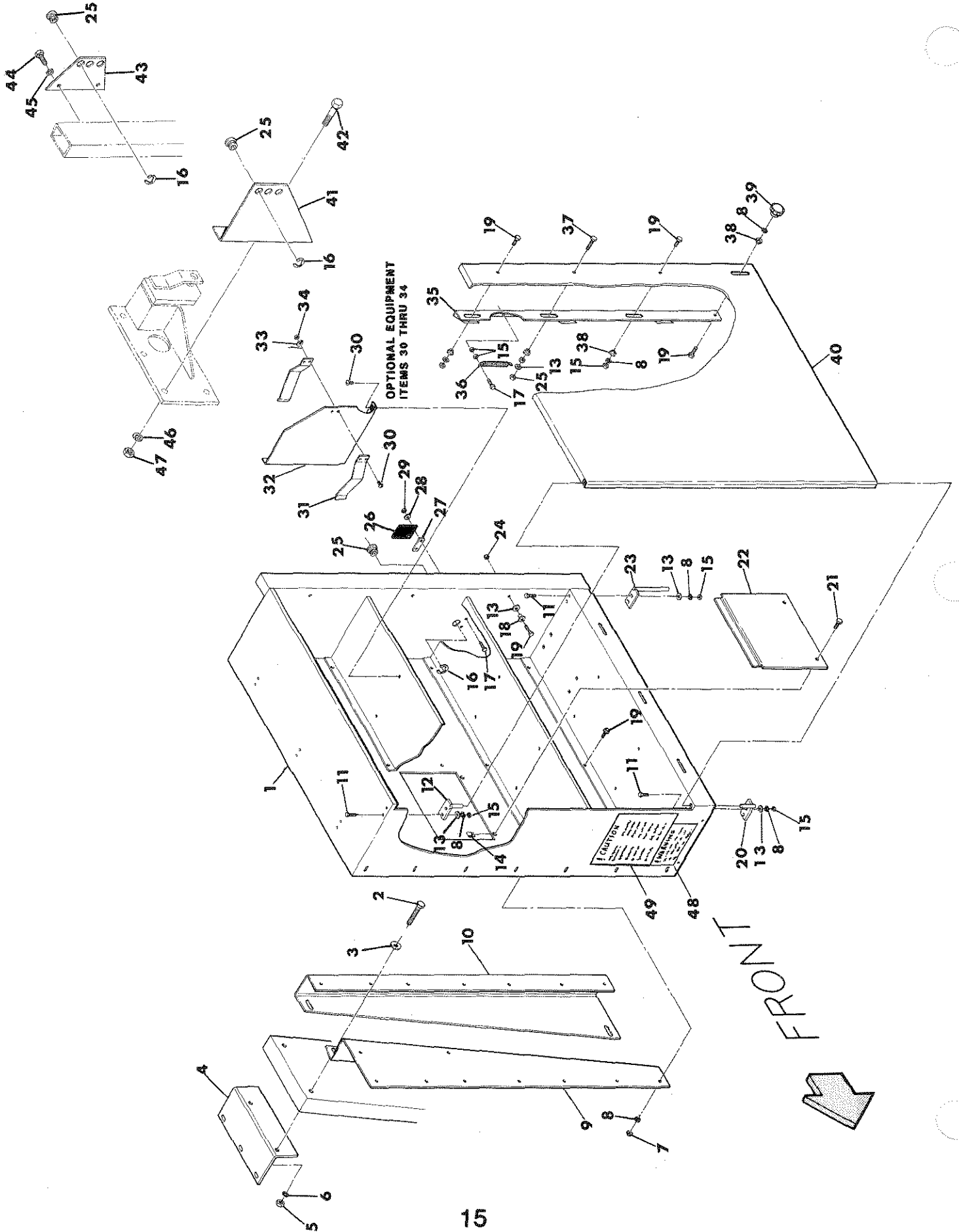
REF NO.	PART NO.	DESCRIPTION	QTY. USED	REF NO.	PART NO.	DESCRIPTION	QTY. USED
1	DOR0232791	R. H. MAIN DOOR ASSEMBLY	1	24	STP0002000	STEP COVER-SAFETY WALK 2"	4
2	HAN6210603	LIFT-N-LATCH HANDLE	2	25	LDRO016139	PORTABLE LADDER	1
3	NCE0000313	5/16" NC ESNA NUT - PLATED	2	26	SCC0020002	5/16 X 1 NC HT CS - PLATED	2
4	CYL0080614	GAS SPRING CYLINDER	2	27	BKT0016158	TOP LADDER STORAGE BRACKET	1
5	SCC0020004	5/16 X 1-1/2 NC HT CS - PLATED	4	28	NCH0000250	1/4" NC HEX NUT - PLATED	4
6	DOR0233321	R. H. LOWER FRONT DOOR	1	29	PIN0021155	PORTABLE LADDER PIN	1
7	WCT0000375	3/8" FLATWASHER - PLATED	A/R	30	BKT0016157	BOTTOM LADDER STORAGE BRACKET	1
8	NMS0000250	1/4" NC WHIZ NUT - PLATED	55	31	BRC0233921	R. H. DOOR SUPPORT BRACE	1
9	HNG0233391	R. H. LOWER DOOR HINGE	1	32	FD 0023579	"CAUTION!1..2..3..10 WARNINGS"	1
10	SMS0000172	1/4 X 3/4 NC WHIZ BOLT-PLATED	6	32	FD 008450E	DECAL - EUROPEAN VERSION	1
11	FST0010401	MED DUTY FOLDING HANDLE FASTNR	3	33	FD 0023538	DECAL "WARNING!DO NOT RIDE ON"	3
12	COT0000801	3/16 X 1 COTTER PIN	2	33	FD 000060E	DECAL - EUROPEAN VERSION	3
13	WCT0000375	3/8" FLATWASHER - PLATED	2	34	FD 0023574	"DANGER!KEEP AWAY FROM OPEN.."	1
14	PIN0023475	SIDE DOOR HINGE PIN	2	34	FD 000049E	DECAL - EUROPEAN VERSION	1
15	NMS0000117	5/16 NC WHIZ NUT - PLATED	4	35	FD 0023580	"CAUTION!KEEP DOORS CLOSED..."	2
16	GRD0233111	R. H. NEEDLE YOKE GUARD	1	35	FD 0024081	DECAL - EUROPEAN VERSION	2
17	SMT0001001	1/4 X 3/4 TH MACH SCREW-PLT	4	36	FD 0023582	DECAL "WARNING!KEEP HANDS AWAY"	1
18	SMT0001003	1/4 X 5/8 TH MACH SCREW-PLT	42	36	FD 000049E	DECAL - EUROPEAN VERSION	1
19	SMT0002001	5/16 X 3/4 TH MACH SCREW-PLT	4	37	FD 0023571	DECAL "DANGER!SERIOUS INJURY."	1
20	SHD0023290	RIGHT REAR SHIELD SN#104-123	1	37	FD 000061E	DECAL - EUROPEAN VERSION	1
20	SHD0023980	RIGHT REAR SHIELD SN#124+	1	38	FD 0023576	DECAL "DANGER!LOOK & LISTEN"	3
21	CVR0234081	R. H. REAR CLOSURE PLATE	1	38	FD 000059E	DECAL - EUROPEAN VERSION	3
22	SHD0023287	TOP RIGHT SHIELD	1	39	REF0878501	YELLOW REFLECTOR-STICK ON	1
23	HAN0000817	CHROME GRAB HANDLE	1	40	FD 0024110	R.H. "FREEMAN 1590" DECAL	1

LOWER FRONT SHIELDS AND CONTROL BOXES



REF NO.	PART NO.	DESCRIPTION	QTY. USED
1	SHD0023399	LOWER RIGHT FRONT SHIELD	1
2	NMS0000117	5/16 NC WHIZ NUT - PLATED	18
3	SMT0001001	1/4 X 3/4 TH MACH SCREW-PLT	4
4	SMT0002001	5/16 X 3/4 TH MACH SCREW-PLT	6
5	SHD0023398	LOWER LFT FRT SHD SN#104 - 123	1
5	SHD0024071	LOWER LFT FRT SHD SN#124 +	1
6	ANCO023506	FRONT SHIELD ANCHOR	3
7	ANCO023322	LEFT FRONT SHIELD ANCHOR	1
8	SMS0000184	5/16 X 3/4 NC WHIZ BOLT-PLATED	10
9	NMS0000250	1/4" NC WHIZ NUT - PLATED	13
10	MNT0023391	CONTROL & FAN BOX MOUNT	1
11	SOL0024059	CONTINUOUS DUTY SOLENOID	2
12	ELCO172950	CONTROL BOX COMPL W/PANEL	1
13	SMS0000173	1/4 X 1/2 NC WHIZ BOLT-PLATED	4
14	ELCO174831	FAN SEQUENCER ASMBLY COMP	1
15	CLP7701165	1-1/2 INSULATED HOSE CLAMP	4
16	NCW0103200	10-32 NF WING NUT - PLATED	3
17	SHD0023393	CNTL BX MNT JUNCTION BLOCK SHD	1
18	CBK0005540	40-AMP CIRCUIT BREAKER	1
19	NFH0001032	10-32 NF HEX NUT - PLATED	10
20	WLK0000100	#10 LOCKWASHER - PLATED	4
21	WCT0000100	#10 FLATWASHER - PLATED	4
22	TEB0472105	5 POST TERMINAL BLOCK	1
23	SMR1320300	10-32X3 RH MACH SCREW-PLT	3
24	BOX0226260	TENSION CONTROL BOX ASSEMBLY	1
25	CVR0024070	FRONT SHIELD ACCESS COVER	1
26	BRC0023404	RIGHT FRONT SHIELD BRACE	1
27	ANCO023403	RIGHT FRONT SHIELD ANCHOR	1

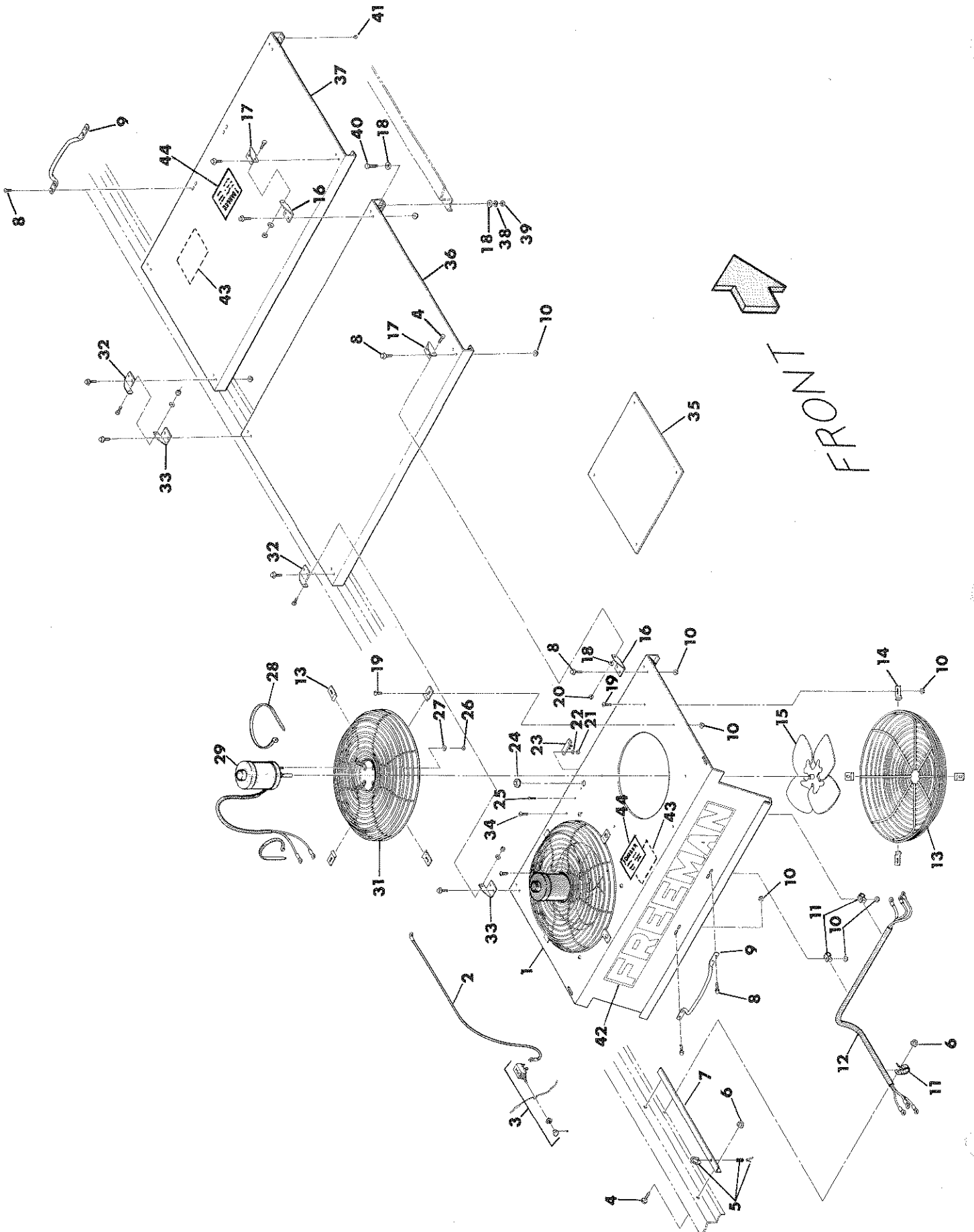
TWINE BOXES AND BRACKETS



TWINE BOXES AND BRACKETS

REF NO.	PART NO.	DESCRIPTION	QTY. USED
1	BOX0232210	LEFT HAND TWINE BOX	1
1	BOX0232211	RIGHT HAND TWINE BOX	1
2	SCC0050011	1/2 X 3-1/4 NC HT CS - PLATED	4
3	WCT0000500	1/2" FLATWASHER - PLATED	4
4	SUP0234260	LEFT HAND FRONT CHANNEL SUP	1
4	SUP0234261	R.H. FRONT CHANNEL SUPPORT	1
5	NCH0000500	1/2" NC HEX NUT - PLATED	4
6	WLK0000500	1/2" LOCKWASHER - PLATED	4
7	NCH0000313	5/16 NC HEX NUT - PLATED	14
8	WLK0000313	5/16" LOCKWASHER - PLATED	9
9	MNT0231010	LEFT FRONT TWINE BOX MOUNT	1
9	MNT0231011	RIGHT FRONT TWINE BOX MOUNT	1
10	MNT0231020	LEFT REAR TWINE BOX MOUNT	1
10	MNT0231021	RIGHT REAR TWINE BOX MOUNT	1
11	SCC0020001	5/16 X 3/4 NC HT CS - PLATED	6
12	HNG0232330	L. H. TOP HINGE PIN	1
12	*****	R. H. BOTTOM HINGE PIN	1
13	WCT0000313	5/16" FLATWASHER - PLATED	9
14	NCC0002500	1/4" NC CAGE NUT	2
15	NCH0000313	5/16 NC HEX NUT - PLATED	11
16	F 0000857	SNAP RING F/TWN GUIDE BUSHING	9
17	SCC0010002	1/4 X 1 NC HT CS - PLATED	6
18	BSH0015841	TWINE BOX DOOR LATCH BUSHING	3
19	SCC0020002	5/16 X 1 NC HT CS - PLATED	20
20	#####	L. H. BOTTOM HINGE PIN	1
20	HNG0232331	R. H. TOP HINGE PIN	1
21	SCC0000100	1/4 X 1/2 NC HT CAP SCREW	2
22	CVRO232360	L. H. TWN BX FILTER ACCESS CVR	1
22	CVRO232361	R. H. TWN BX FILTER ACCESS CVR	1
23	HNG0235070	L. H. LOWER FRONT DOOR HINGE	1
23	HNG0235071	R. H. LOWER FRONT DOOR HINGE	1
24	NCE0000313	5/16" NC ESNA NUT - PLATED	3
25	F 0000856	TWINE & WIRE GUIDE BUSHING	9
26	CVRO016464	TWINE GUIDE COVER	3
27	SPC0016465	TWINE GUIDE COVER SPACER	3
28	WCT0000250	1/4" FLATWASHER - PLATED	6
29	NCE0000250	1/4" NC ESNA NUT - PLATED	6
30	SMRO001001	1/4 X 3/4 RH MACH SCREW-PLT	18
31	RETO023771	TWINE BALL RETAINER	18
32	BOX0232370	L. H. TWN BOX OPTIONAL DIVIDER	6
32	BOX0232371	R. H. TWN BOX OPTIONAL DIVIDER	6
33	WLK0000250	1/4" LOCKWASHER - PLATED	18
34	NCH0000250	1/4" NC HEX NUT - PLATED	18
35	LTH1584700	L. H. TWINE BOX DOOR LATCH	1
35	LTH1584701	R. H. TWINE BOX DOOR LATCH	1
36	F 0000278	RETURN SPRING	1
37	SCC0020003	5/16 X 1-1/4 NC HT CS - PLATED	1
38	BSH0015842	TWN BX DOOR LATCH GUID.BUSHING	4
39	F 0001007	LATCH KNOB	1
40	DOR0232300	LEFT HAND TWINE BOX DOOR	1
40	DOR0232301	RIGHT HAND TWINE BOX DOOR	1
41	BKTO234630	L. H. TWINE GUIDE BRACKET	1
41	BKTO234631	R. H. TWINE GUIDE BRACKET	1
42	SCC0070013	5/8 X 3-3/4 NC HT CS - PLATED	2
43	BKTO023462	TWINE GUIDE BRACKET	2
44	SCC0030001	3/8 X 3/4 NC HT CS - PLATED	2
45	WLK0000375	3/8" LOCKWASHER - PLATED	2
46	WLK0000625	5/8" LOCKWASHER - PLATED	2
47	NCH0000625	5/8" NC HEX NUT - PLATED	2
48	FD 0023538	DECAL "WARNING!DO NOT RIDE ON"	2
48	FD 000060E	DECAL - EUROPEAN VERSION	2
49	FD 0023579	"CAUTION!1..2..3..10 WARNINGS"	2
49	FD 008450E	DECAL - EUROPEAN VERSION	2

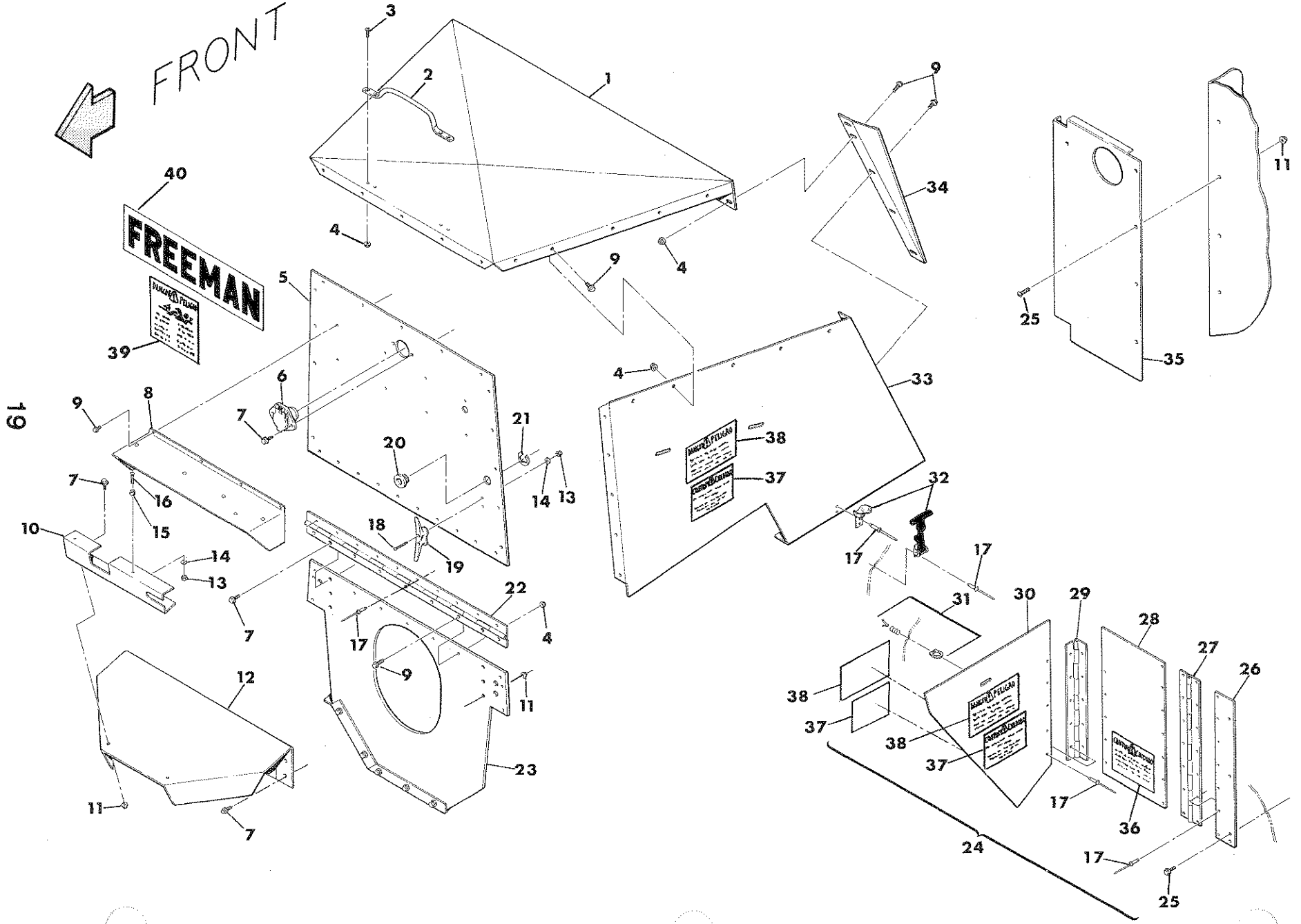
TOP COVERS AND KNOTTER FANS



TOP COVERS AND KNOTTER FANS

REF NO.	PART NO.	DESCRIPTION	QTY. USED
1	CVR0023406	KNOTTER COVER	1
2	HRN0023513	RELAY TO FAN SWITCH HARNESS	1
3	SWI0005065	2 POSITION LIGHT SWITCH	1
4	SCC0020001	5/16 X 3/4 NC HT CS - PLATED	6
5	FST0010401	MED DUTY FOLDING HANDLE FASTNR	2
6	NMS0000117	5/16 NC WHIZ NUT - PLATED	4
7	SUP0234070	L. H. KNOTTER COVER SUPPORT	1
7	SUP0234071	R. H. KNOTTER COVER SUPPORT	1
8	SMS0000171	1/4 X 5/8 NC WHIZ BOLT-PLATED	16
9	HAN0000817	CHROME GRAB HANDLE	2
10	NMS0000250	1/4" NC WHIZ NUT - PLATED	26
11	CLP7701158	5/8 INSULATED HOSE CLAMP	3
12	HRN0023514	HARN KNT FAN SWI TO JUNC BLK	1
13	GRD0044320	AIR CIRCULATOR GUARD, LOWER	1
14	CIP0022526	FAN GUARD CLIP	16
15	FAN0250937	FAN BLADE F/KNOTTER BLOWER	2
16	HNG1598500	L. H. PLUNGER COVER HINGE SECT	2
17	HNG1598600	L. H. PLUNGER COVER HINGE SECT	2
18	WCT0000313	5/16" FLATWASHER - PLATED	A/R
19	SMT0001001	1/4 X 3/4 TH MACH SCREW-PLT	16
20	NCE0000313	5/16" NC ESNA NUT - PLATED	2
21	NFH0001032	10-32 NF HEX NUT - PLATED	2
22	WLK0000100	#10 LOCKWASHER - PLATED	2
23	TEB0472102	2 POST TERMINAL BLOCK	1
24	GRM0002285	7/8ID 1-1/8OD 1/16GRV GROMMET	1
25	SMR1032075	10-32X 3/4 RH MACH SCREW-PLT	2
26	NFE0001032	10-32 NF ESNA NUT - PLATED	8
27	WCT0010000	#10 FLATWASHER	8
28	CBT5151250	3/16 X 15-1/8 CABLE TIE	2
29	MTR0022706	KNOTTER FAN MOTOR W/LEADS	2
30	CBT5058750	3/16 X 5-7/8 CABLE TIE	2
31	GRD0044321	AIR CIRCULATOR GUARD, UPPER	2
32	HNG1598601	R. H. PLUNGER COVER HINGE SEC	2
33	HNG1598501	R. H. PLUNGER COVER HINGE SECT	2
34	SMT0001003	1/4 X 5/8 TH MACH SCREW-PLT	2
35	CVR0023409	BLOWER ACCESS COVER	1
36	CVR0023300	REAR PLUNGER COVER ASSEMBLY	1
37	CVR0023297	FRONT PLUNGER COVER ASSEMBLY	1
38	WLK0000250	1/4" LOCKWASHER - PLATED	4
39	NCH0000250	1/4" NC HEX NUT - PLATED	4
40	SCC0010001	1/4 X 3/4 NC HT CS - PLATED	4
41	BMPO004243	RUBBER BUMPER	2
42	FD 0007113	FREEMAN DECAL, WHITE	1
43	FD 0023534	DECAL "KEEP SHIELDS IN PLACE"	2
43	FD 018958E	DECAL - EUROPEAN VERSION	2
44	FD 002357E	DECAL "DANGER!LOOK & LISTEN"	2
44	FD 000059E	DECAL - EUROPEAN VERSION	2

FRONT

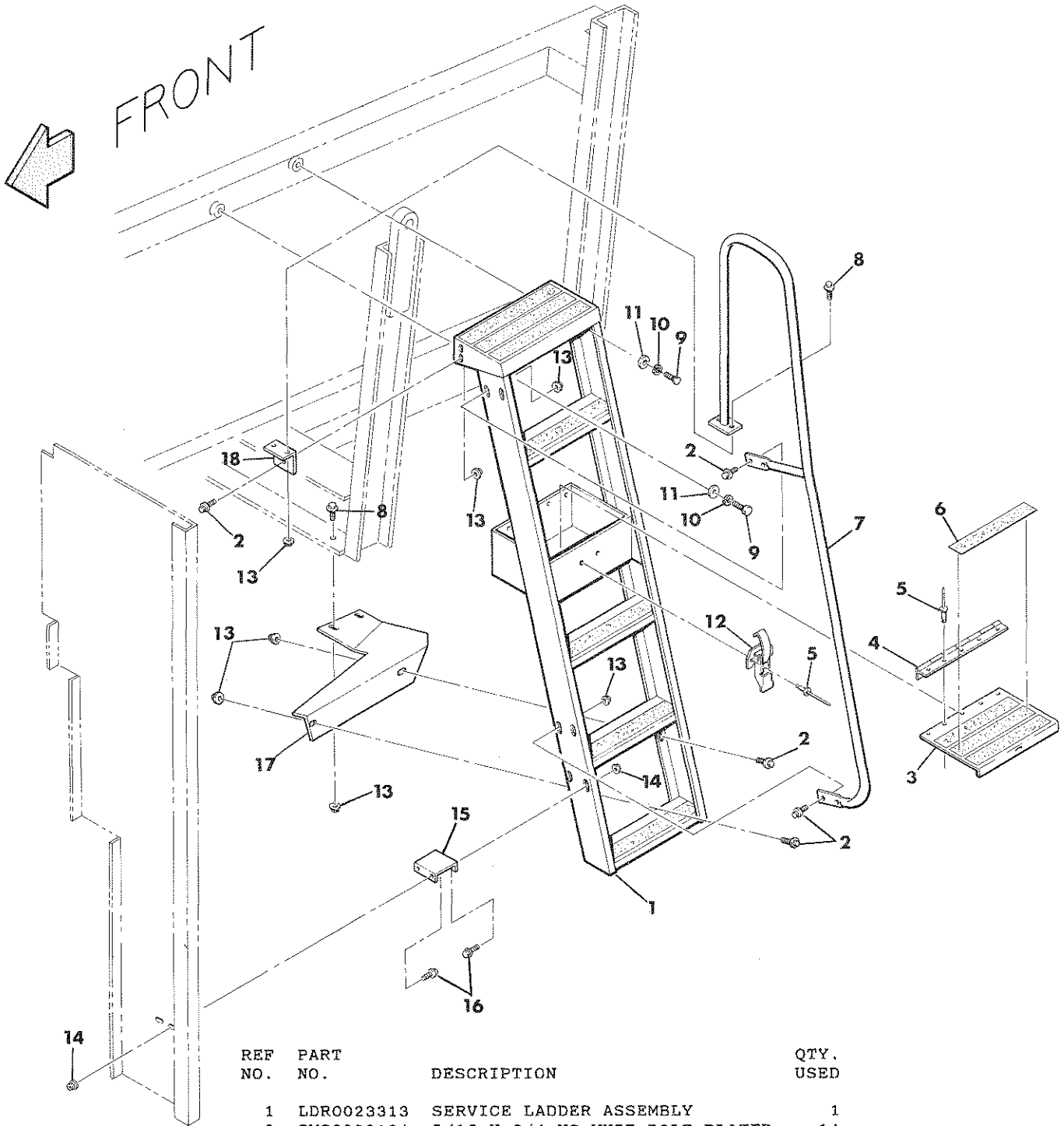


DRIVE UNIT SHIELDS

DRIVE UNIT SHIELDS

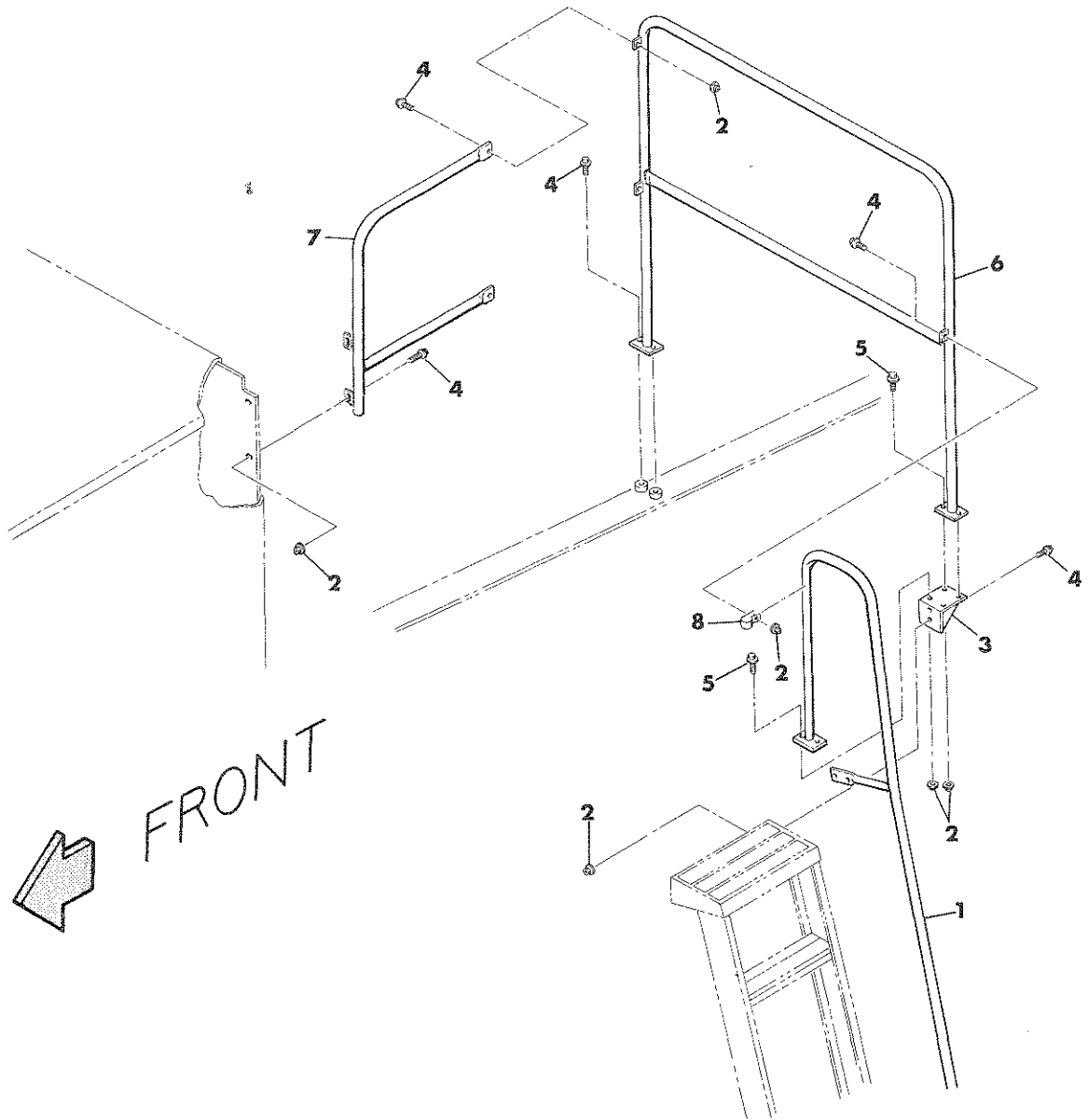
REF NO.	PART NO.	DESCRIPTION	QTY. USED
1	SHD0023412	DRIVE UNIT TOP SHIELD	1
2	HAN0000817	CHROME GRAB HANDLE	1
3	SMS0000171	1/4 X 5/8 NC WHIZ BOLT-PLATED	4
4	NMS0000250	1/4" NC WHIZ NUT - PLATED	45
5	SHD0023443	SHEAVE FRONT UPPER SHIELD	1
6	SOK0012063	SOCKET-7 CONDUCTOR	1
7	SMS0000184	5/16 X 3/4 NC WHIZ BOLT-PLATED	10
8	PNL0216200	TWINE SENSOR INDICATOR PNL ASY	1
9	SMS0000171	1/4 X 5/8 NC WHIZ BOLT-PLATED	50
10	SUP0023670	DRIVE UNIT SHIELD SUPPORT	1
11	NMS0000117	5/16 NC WHIZ NUT - PLATED	32
12	GRD0023501	PTO CLUTCH GUARD ASSEMBLY	1
13	NFH0001032	10-32 NF HEX NUT - PLATED	4
14	WLK0000100	#10 LOCKWASHER - PLATED	4
15	BMPO004243	RUBBER BUMPER	2
16	SMR1032100	10-32X1 RH MACH SCREW-PLT	2
17	RIV0000604	3/16X1/4 STAINLESS GRIP RIVET	68
18	SMR1032125	10-32X1-1/4 RH MACH SCREW	2
19	CLT0004015	EMERGENCY STOP CLEAT	1
20	F 0000856	TWINE & WIRE GUIDE BUSHING	1
21	F 0000857	SNAP RING F/TWN GUIDE BUSHING	1
22	HNG0023458	SHEAVE FRONT SHIELD HINGE	1
23	SHD0023442	SHEAVE FRONT LOWER SHIELD	1
24	CVR0234290	L. H. FRONT ACCESS COVER	1
24	CVR0234291	R. H. FRONT ACCESS COVER	1
25	SMT0002001	5/16 X 3/4 TH MACH SCREW-PLT	16
26	MNT0023431	ACCESS COVER HINGE MOUNT	2
27	HNG0023432	FRONT ACCESS COVER HINGE	2
28	CVR0023444	FRONT ACCESS COVER	2
29	HNG0023445	ACCESS COVER HINGE	2
30	CVR0023430	FRONT ACCESS COVER	2
31	FST0010401	MED DUTY FOLDING HANDLE FASTNR	2
32	LAT0000201	RUBBER DRAW LATCH	2
33	SHD0235050	L. H. DRIVE UNIT SHIELD ASSY	1
33	SHD0235051	R. H. DRIVE UNIT SHIELD ASSY	1
34	SHD0235000	L. H. DRIVE UNIT DUST SHIELD	1
34	SHD0235001	R. H. DRIVE UNIT DUST SHIELD	1
35	SHD0234050	LEFT TOP FRONT SHIELD	1
35	SHD0234051	RIGHT TOP FRONT SHIELD	1
36	FD 0023537	DECAL "CAUTION!OPERATE 100ORPM	2
36	FD 0021937	DECAL - EUROPEAN VERSION	2
37	FD 0023534	DECAL "KEEP SHIELDS IN PLACE"	4
37	FD 018958E	DECAL - EUROPEAN VERSION	4
38	FD 0023576	DECAL "DANGER!LOOK & LISTEN"	4
38	FD 000059E	DECAL - EUROPEAN VERSION	4
39	FD 0023531	DECAL "DANGER!ROTATING DEVICE"	1
39	FD 0024080	DECAL - EUROPEAN VERSION	1
40	FD 0007111	FREEMAN DECAL, WHITE	1

SERVICE LADDER AND HANDRAILS



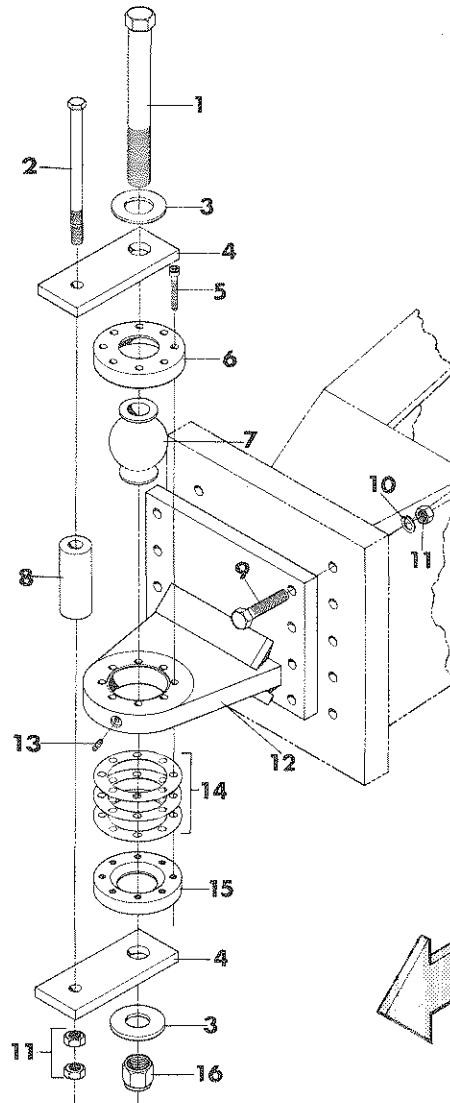
REF NO.	PART NO.	DESCRIPTION	QTY. USED
1	LDRO023313	SERVICE LADDER ASSEMBLY	1
2	SMS0000184	5/16 X 3/4 NC WHIZ BOLT-PLATED	14
3	CVRO023598	TOOL BOX ASSEMBLY	1
4	HNGO023485	TOOL BOX COVER HINGE	1
5	RIV0000604	3/16X1/4 STAINLESS GRIP RIVET	12
6	STPO002000	STEP COVER-SAFETY WALK 2"	A/R
7	RALO023318	SERVICE LADDER HANDRAIL ASSY.	2
8	SMS0000177	5/16 X 1 NC WHIZ BOLT-PLATED	6
9	SCCO030002	3/8 X 1 NC HT CS - PLATED	2
10	WLK0000375	3/8" LOCKWASHER - PLATED	2
11	WCT0000375	3/8" FLATWASHER - PLATED	2
12	CLPO000130	HOOK-TYPE FASTENER	1
13	NMS0000117	5/16 NC WHIZ NUT - PLATED	18
14	NMS0000250	1/4" NC WHIZ NUT - PLATED	4
15	BRCO023356	SERVICE LADDER BRACE	1
16	SMS0000172	1/4 X 3/4 NC WHIZ BOLT-PLATED	4
17	SUPO023344	LADDER SUPPORT	1
18	BKTO023510	SERV LADDER HANDRAIL TOP BKT	2

SAFETY HANDRAILS



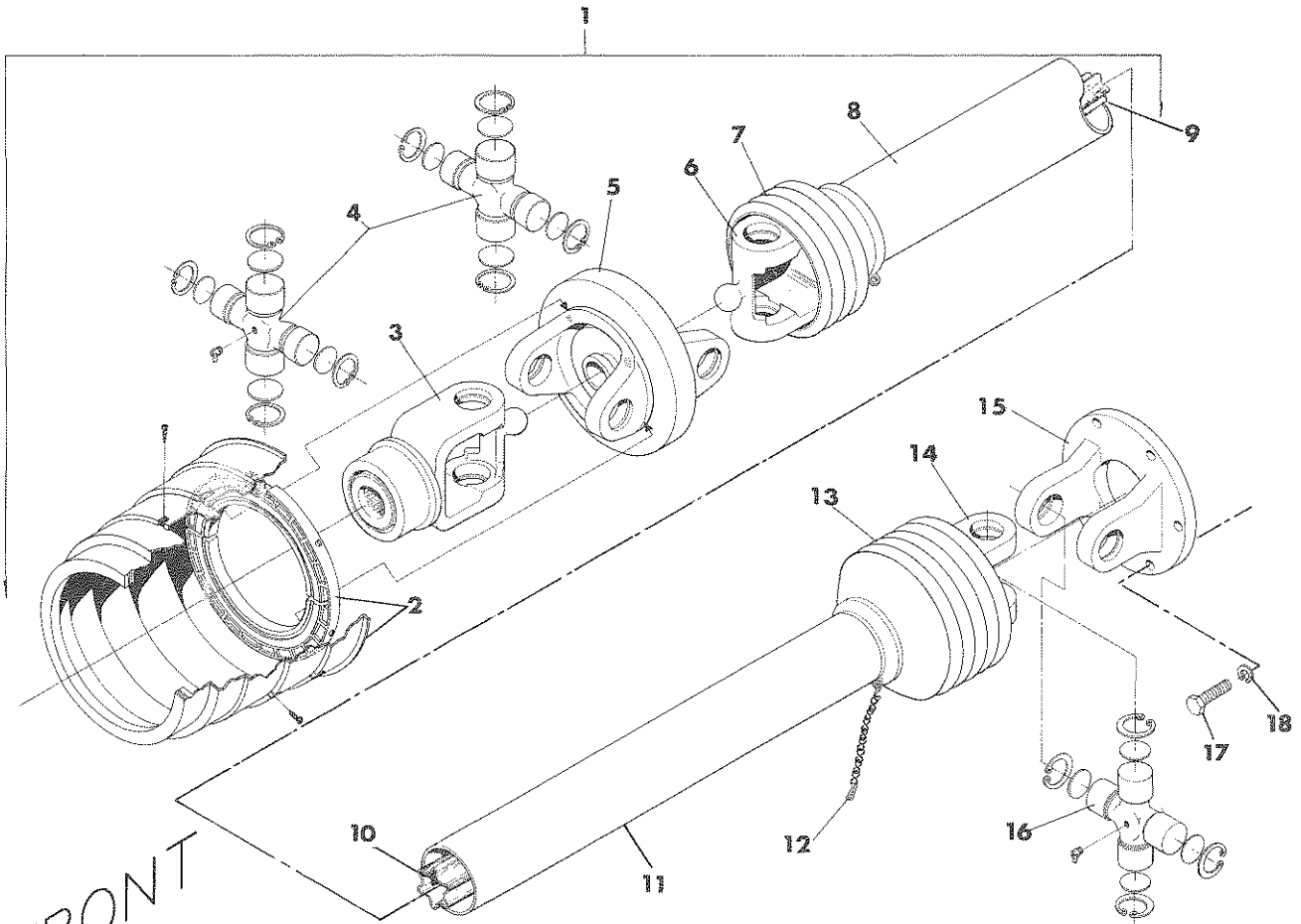
REF NO.	PART NO.	DESCRIPTION	QTY. USED
1	RAL0023318	SERVICE LADDER HANDRAIL ASSY.	2
2	NMS0000117	5/16 NC WHIZ NUT - PLATED	11
3	BKTO024175	LADDER HANDRAIL BRACKET	1
4	SMS0000184	5/16 X 3/4 NC WHIZ BOLT-PLATED	9
5	SMS0000177	5/16 X 1 NC WHIZ BOLT-PLATED	4
6	RAL0024153	REAR HANDRAIL ASSEMBLY	1
7	RAL0024152	SIDE HANDRAIL ASSEMBLY	1
8	CLP0000125	1" W 13/32 HOLE VINYL CLAMP	2

BALL HITCH



REF NO.	PART NO.	DESCRIPTION	QTY. USED
1	SCC0001325	1-1/4 X9-1/2 NC HT CAP SCREW	1
2	SCC0000721	5/8 X 7-1/2 NC HT CAP SCREW	1
3	WCT0125000	1-1/4" FLATWASHER	2
4	PLTO021488	CLEVIS PIN PLATE	2
5	SCS0000306	3/8 X 2 NC SOCKET HEAD CS	8
6	PLTO021486	BALL HITCH TOP PLATE	1
7	HTHO021490	BALL HITCH	1
8	SPCO021489	CLEVIS PLATE SPACER	2
9	SCC0070008	5/8 X 2-1/2 NC HT CS - PLATED	8
10	WLK0000625	5/8" LOCKWASHER - PLATED	8
11	NCH0000625	5/8" NC HEX NUT - PLATED	10
12	HTHO021484	OPTIONAL BALL HITCH MOUNT	1
13	ZZ 0000105	1/8 NPT STR 5/16 HEX ZERK	1
14	SHMO021483	HITCH BALL SHIM	A/R
15	PLTO021487	BALL HITCH BOTTOM PLATE	1
16	NCEO012500	1-1/4" NC ESNA NUT	1

P.T.O. SHAFT

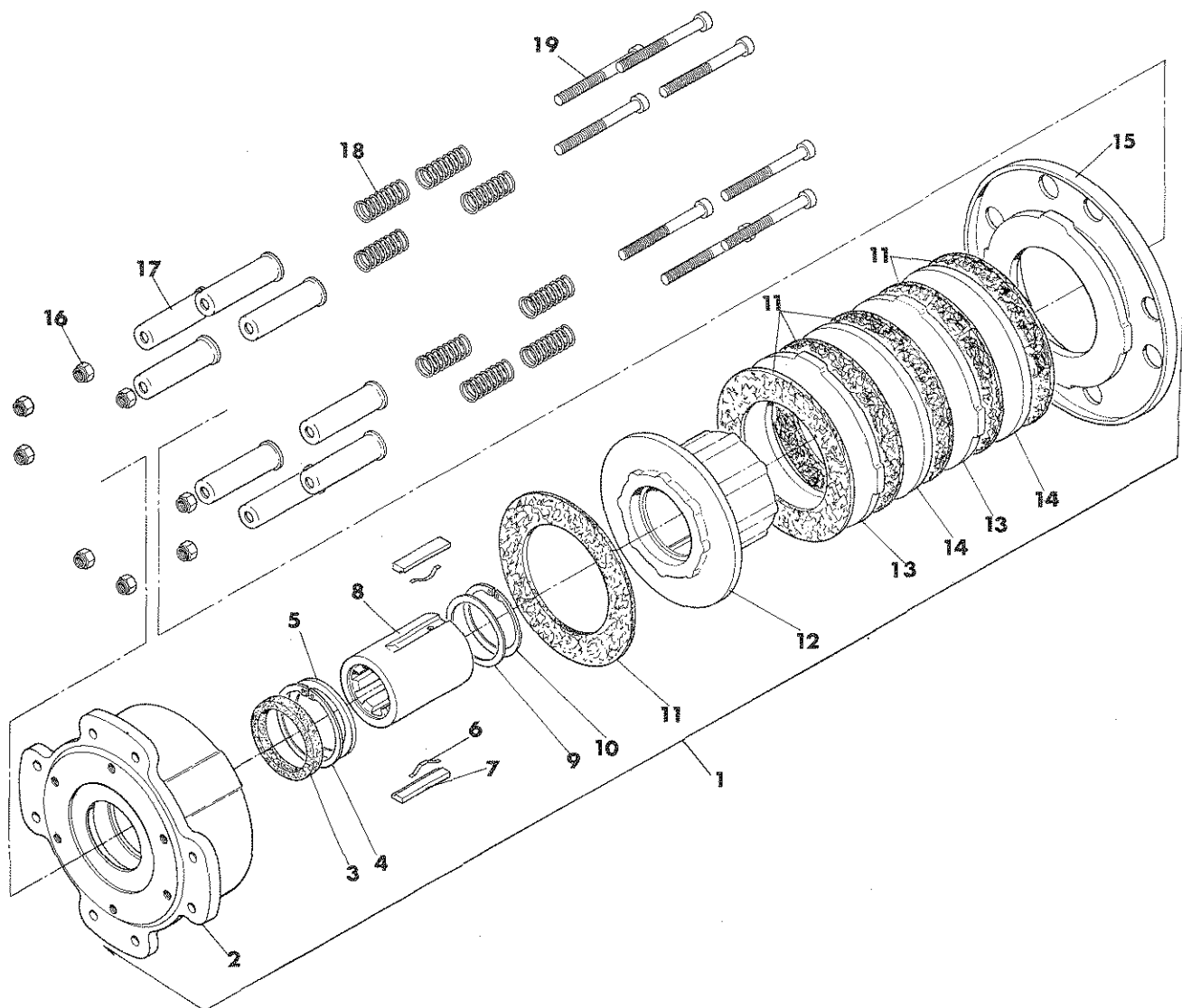


FRONT

REF NO.	PART NO.	DESCRIPTION	QTY. USED
1	DRV0385301	1-3/8"21 SPL DRVLINE-NO CLUTCH	1
1	DRV0386601	1-3/8 6 SPL DR. LINE W/CLUTCH	1
1	DRV3838320	1-3/4"20 SPL DRVLINE W/CLUTCH	1
1	DRV3838325	1-3/4"20 SPL DRVLINE-NO CLUTCH	1
1	DRV3838330	1-3/8"21 SPL DRVLINE W/CLUTCH	1
2	DRV0087276	BEARING RING-SC25	1
2	DRV0386165	CV CONE & BEARING ASSY	1
3	DRV0377591	YOKE F/1-3/8-21 SPLINE DRV LIN	1
3	DRV0377593	1 3/4-20 SPLINE YOKE-DRV383832	1
3	DRV0384303	YOKE 1-3/8" 6 SPLINE	1
4	KIT0334109	CROSS REPAIR KIT	2
5	YOK0365725	DOUBLE YOKE	1
6	DRV0377589	INBOARD YOKE	1
7	DRV0160012	SHIELD CONE - 3 RIB	1
8	DRV0383831	OUTER SHIELD TUB-OVAL-1-3/4DRV	1
8	DRV0383864	OUTER SHIELD TUB-OVAL-1-3/8DRV	1
9	DRV0364672	INNER PROFILE S 4 GA 1-3/4"	1
9	DRV0383866	INNER SHAFT -1-3/8"	1
10	DRV0382829	OUTER SHAFT -1-3/8"	1
10	DRV0384436	OUTER PROFILE 1-3/4"	1
11	DRV0383239	INNER SHIELD TUBE-RND-1-3/8DRV	1
11	DRV0383429	INNER SHIELD TUBE-RND-1-3/4DRV	1
12	CHN0044321	SAFETY CHAIN	1
13	DRV0365385	SHIELD CONE - 5 RIB	1
14	DRV0097140	REAR YOKE	1
15	DRV0323155	FLANGED YOKE	1
16	DRV0312209	U-JOINT KIT	1
17	WLKM100120	12 MM LOCKWASHER - PLATED	6
18	SCCM112025	12M X 25M MC HES HD CS-PLT-8.8	6

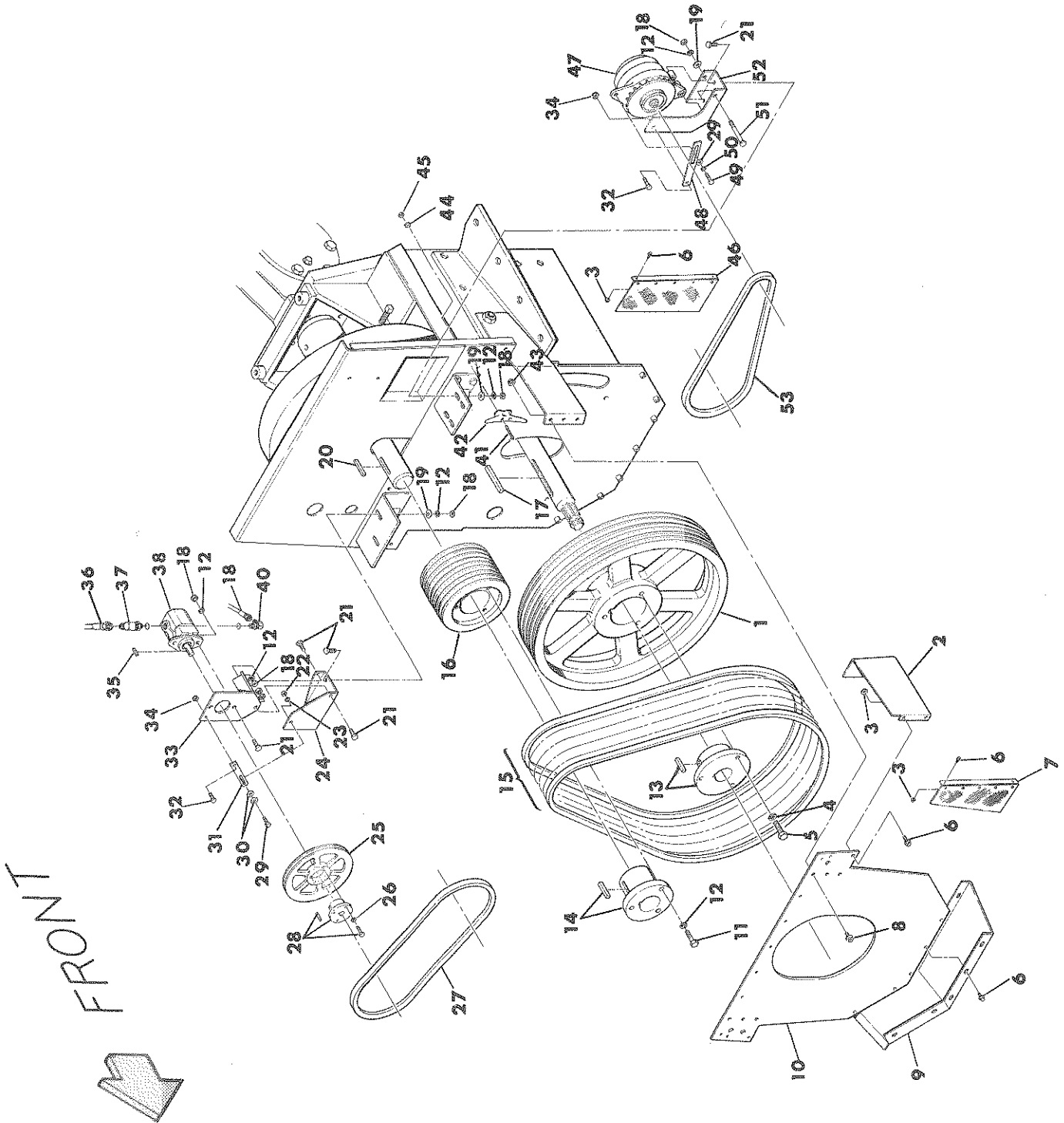
NOTES

P.T.O. CLUTCH



REF NO.	PART NO.	DESCRIPTION	QTY. USED
1	CLH0383830	CLUTCH- TORQ LMTR F/DRV380912	1
2	HSG0381690	HOUSING	1
3	RNG0351757	FELT RING FOR CLH0383830	1
4	RNG0304118	RETAINING RING(FOR CLH0383830)	1
5	DSK0332183	SUPPORT DISC F/383830 CLH	1
6	SPG0332185	LEAF SPRING (FOR CLH0383830)	2
7	KEY0331737	KEY (FOR CLH0383830)	2
8	DRV0383834	1-3/4" 6-SPLN HUB F/CLH0383830	1
9	DSK0304235	SUPPORT DISK FOR CLH0383830	1
10	RNG0702100	RETAINING RING(FOR CLH0383830)	1
11	CLH0319187	FRICITION DISC	6
12	HSN0381697	DRIVE PLATE HOUSING	1
13	PLT0319186	DRIVE PLATE-CLH0383830	2
14	PLT0319185	DRIVE PLATE-CLH0383830	2
15	RNG0365521	BACK UP RING	1
16	NMS0999820	HEX NUT	8
17	RET0080656	SPRING RETAINER	8
19	SCSM008090	8M X 90M MC SOC HD CS	8

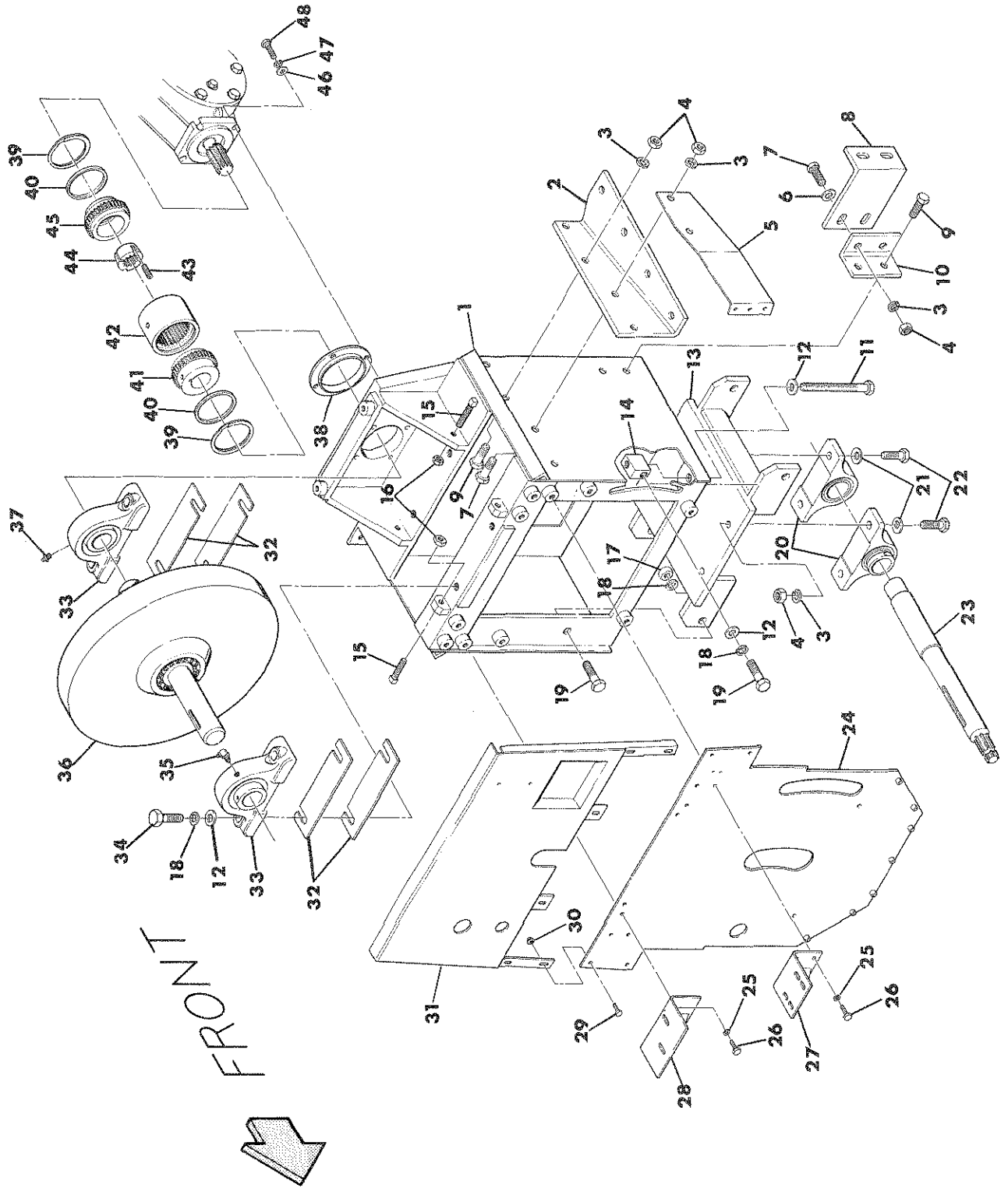
MECHANICAL DRIVE UNIT



MECHANICAL DRIVE UNIT

REF NO.	PART NO.	DESCRIPTION	QTY. USED
1	SHV0000250	SHEAVE - 6S5V250	1
2	SHD0235080	L. H. SHEAVE DUST SHIELD	1
2	SHD0235081	R. H. SHEAVE DUST SHIELD	1
3	NMS0000250	1/4" NC WHIZ NUT - PLATED	12
4	WLK0000500	1/2" LOCKWASHER - PLATED	3
5	SCC0000507	1/2 X 2-1/4 NC HT CAP SCREW	3
6	SMS0000171	1/4 X 5/8 NC WHIZ BOLT-PLATED	24
7	SHD0237720	L.H. SIDE DUST SHIELD ASSEMBLY	1
7	SHD0237721	R.H. SIDE DUST SHIELD ASSEMBLY	1
8	SMS0000184	5/16 X 3/4 NC WHIZ BOLT-PLATED	6
9	SHD0023422	MAIN SHEAVE BOTTOM SHIELD	1
10	SHD0023442	SHEAVE FRONT LOWER SHIELD	1
11	SCC0000306	3/8 X 2 NC HT CAP SCREW	3
12	WLK0000375	3/8" LOCKWASHER - PLATED	14
13	BSH0121875	S1X2-3/16 BUSHING	1
14	BSH0221875	R2X2-3/16" BUSHING	1
15	BLT0005950	DRIVE BELTS, MATCHED SET	6
16	SHV0000080	SHEAVE - 8R5V80	1
17	ZZ 0000458	1/2 X 1/2 X 4-1/2 KEY	1
18	NCH0000375	3/8" NC HEX NUT - PLATED	11
19	WCT0000375	3/8" FLATWASHER - PLATED	7
20	F 0000072	1/2 X 1/2 X 3-1/2 KEY	1
21	SCC0030002	3/8 X 1 NC HT CS - PLATED	10
22	NCH0000313	5/16 NC HEX NUT - PLATED	1
23	WLK0000313	5/16" LOCKWASHER - PLATED	1
24	MNT0023288	TENS CONTROL PUMP MNT BKT	1
25	SHV0000079	SHEAVE - AK79H	1
26	WLK0000250	1/4" LOCKWASHER - PLATED	3
27	BLT0000042	V-BELT, COG	1
28	BSH0000H50	BUSHING H X 1/2" BORE	1
29	SCC0020002	5/16 X 1 NC HT CS - PLATED	1
30	WCT0000313	5/16" FLATWASHER - PLATED	2
31	BKT0015770	TNSN CONTROL PUMP TNSN BRACKET	1
32	SCC0020001	5/16 X 3/4 NC HT CS - PLATED	2
33	MNT0018742	PUMP MOUNT	1
34	NCE0000313	5/16" NC ESNA NUT - PLATED	2
35	ZZ 0000403	1/8 X 1/8 X 1 KEY	1
36	HOS0023493	SUCTION HOSE	1
37	HYD5515045	5/8 JIC X 1/2 O-RING 90* ELBOW	1
38	PMPO01500T	TENSION CONTROL PUMP	1
39	HOS0016655	HOSE-TENS. CONTROL PRESSURE	1
40	HYD5515043	1/2 JIC X 3/8 O-RING 90* ELBOW	1
41	SMR1032125	10-32X1-1/4 RH MACH SCREW	2
42	CLT0004015	EMERGENCY STOP CLEAT	1
43	NMS0000117	5/16 NC WHIZ NUT - PLATED	6
44	WLK0000100	#10 LOCKWASHER - PLATED	2
45	NFH0001032	10-32 NF HEX NUT - PLATED	2
46	SHD0237730	L.H. REAR DUST SHIELD ASSEMBLY	1
46	SHD0237731	R.H. REAR DUST SHIELD ASSEMBLY	1
47	ALTO011610	ALTERNATOR 100AMP W/ROT SCREEN	1
48	BKTO023423	ALTERNATOR BELT TENS BKT	1
49	SCCM010025	10M X 25M MC HEX HD CS-GR 8.8	1
50	WLKM000100	10 MM LOCKWASHER	1
51	SCC0030013	3/8 X 3-3/4 NC HT CS - PLATED	1
52	BKTO023414	ALTERNATOR MOUNT BRACKET	1
53	BLT0000038	AX 38 COG BELT	1

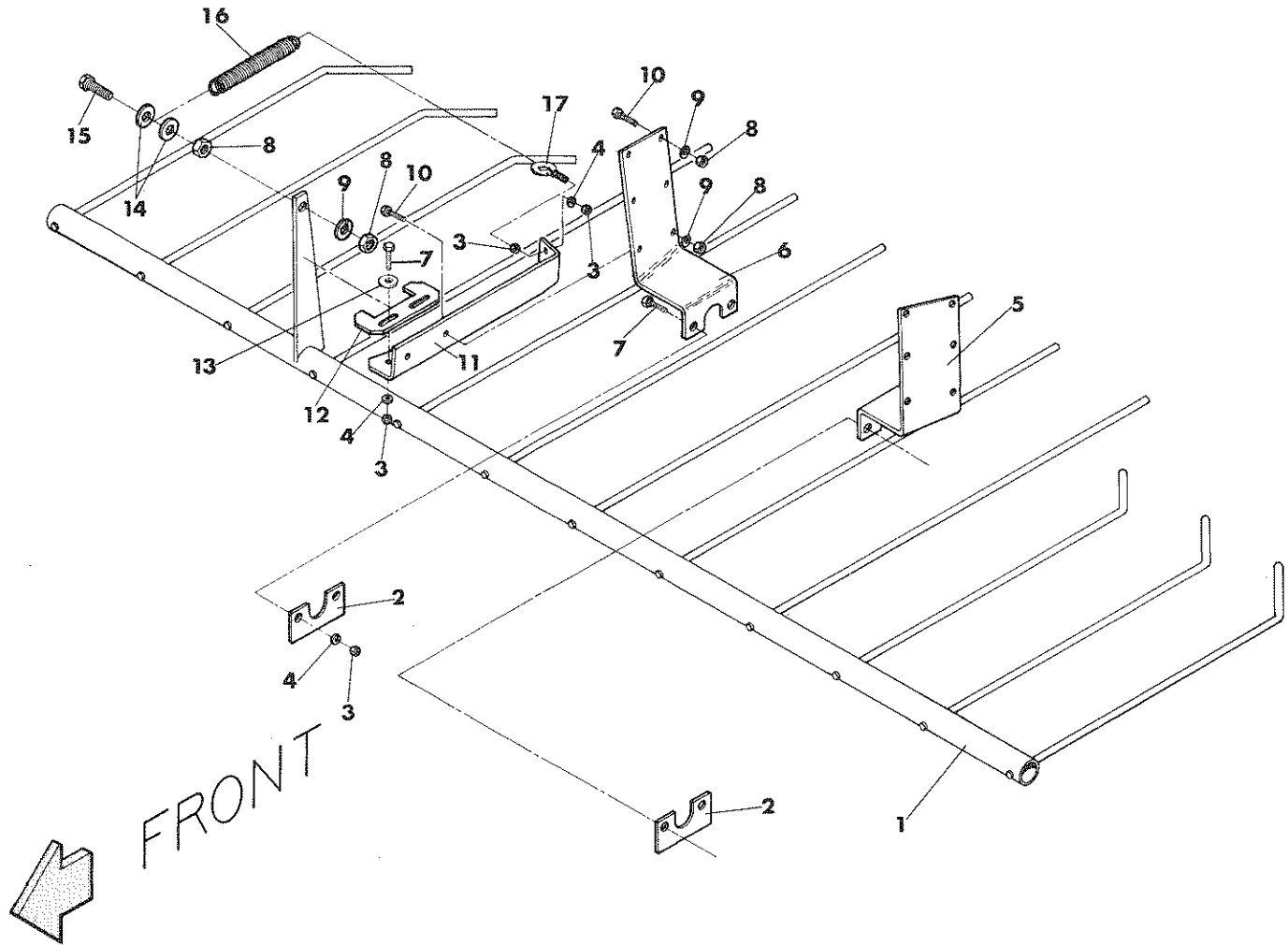
MECHANICAL DRIVE UNIT



MECHANICAL DRIVE UNIT

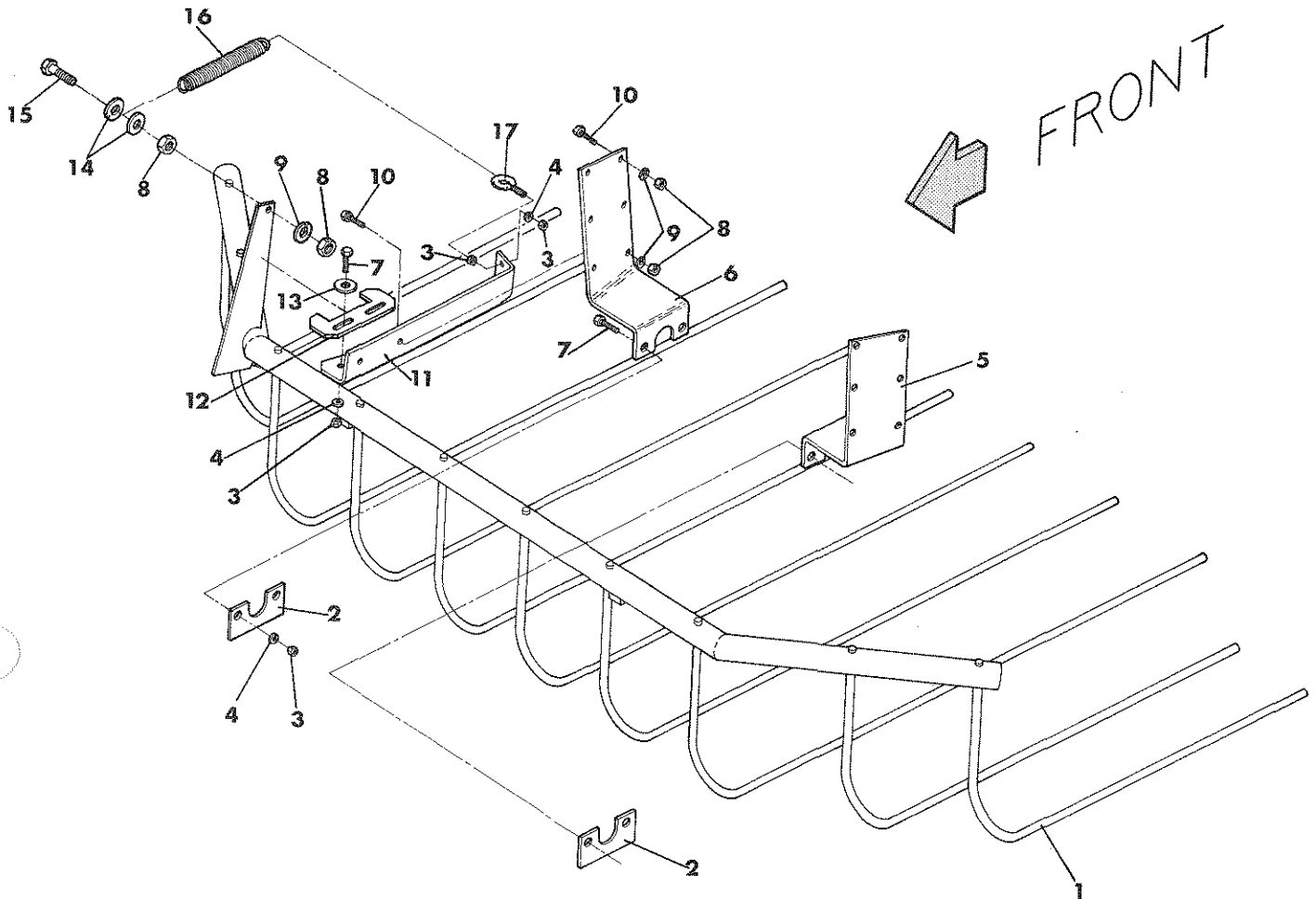
REF NO.	PART NO.	DESCRIPTION	QTY. USED
1	FRM0023252	FLYWHEEL MOUNT FRAME	1
2	BKTO216260	L. H. FLYWHEEL FRAME MOUNT BKT	1
2	BKTO216261	R. H. FLYWHEEL FRAME MOUNT BKT	1
3	WLK0000625	5/8" LOCKWASHER - PLATED	20
4	NCH0000625	5/8" NC HEX NUT - PLATED	20
5	BKT0233410	L. H. FRT SHEEVE CVR SUPT BKT	1
5	BKT0233411	R. H. FRT SHEAVE CVR SUPT BKT	1
6	WCT0000625	5/8" FLATWASHER - PLATED	4
7	SCC0070006	5/8 X 2 NC HT CS - PLATED	8
8	SUP0021636	ANCHOR SUPPORT	2
9	SCC0070005	5/8 X 1-3/4 NC HT CS - PLATED	8
10	BKT0015705	FLYWHEEL MOUNT ANCHOR BRACKET	2
11	ROD0015498	DRIVE BELT TAKE-UP ROD	1
12	WAS0000118	3/4 STRUCTURAL WASHER	6
13	MNT0023278	DRIVE UNIT BELT TAKE-UP	1
14	BLK0015661	BELT TAKE-UP TIGHTENER BLOCK	1
15	SQS5003000	1/2 X 3 SQUARE HD SCREW	4
16	NCJ0000500	1/2" NC JAM NUT - PLATED	4
17	NCH0000750	3/4" NC HEX NUT - PLATED	3
18	WLK0000750	3/4" LOCKWASHER - PLATED	8
19	SCC0080007	3/4 X 2-1/4 NC HT CS - PLATED	4
20	BRG0218750	2-3/16 BEARING	2
21	WAS0000105	5/8 STRUCTURAL WASHER	4
22	SCC0070008	5/8 X 2-1/2 NC HT CS - PLATED	4
23	SHF0023255	PRIMARY DRIVE SHAFT	1
24	SHD0023440	FLYWHEEL FRONT SHIELD BOTTOM	1
25	WLK0000375	3/8" LOCKWASHER - PLATED	6
26	SCC0030002	3/8 X 1 NC HT CS - PLATED	6
27	BKT0023470	ALTERNATOR SUPT BKT ASSY	1
28	MNT0023468	TENSION PUMP MOUNT ASSY	1
29	SMS0000184	5/16 X 3/4 NC WHIZ BOLT-PLATED	6
30	NMS0000117	5/16 NC WHIZ NUT - PLATED	6
31	SHD0023476	FLYWHEEL FRT SHLD TOP ASY	1
32	SHM0015708	10 GA. FLYWHEEL BEARING SHIM	A/R
32	SHM0015709	16 GA. - FLYWHEEL BEARING SHIM	A/R
32	SHM0015710	30 GA - FLYWHEEL BEARING SHIM	A/R
33	BRG2187500	PILLOW BLOCK BEARING	2
34	SCC0080008	3/4 X 2-1/2 NC HT CS - PLATED	4
35	ZZ 0000104	1/8 NPT 90* 7/16 HEX ZERK	2
36	FLW0023253	FLYWHEEL	1
37	ZZ 0000105	1/8 NPT STR 5/16 HEX ZERK	2
38	DPT0018751	PUMP PILOT ADAPTER	1
39	RNG0149396	RETAINING RING F/SLV0149918	2
40	SEL0149223	GREASE SEAL F/SLV0149918	2
41	CPL0018917	PUMP DRIVE COUPLING	1
42	SLV0149918	SLEEVE FOR COUPLING	1
43	STS4375075	7/16 X 3/4 SOCKET SET SCREW	3
44	BSH0021617	BUSHING F/CPL21616	1
45	CPL0021616	PUMP DRIVE REAR COUPLING HALF	1
46	WCT0000500	1/2" FLATWASHER - PLATED	4
47	WLK0000500	1/2" LOCKWASHER - PLATED	4
48	SCC0050006	1/2 X 2 NC HT CS - PLATED	4

WIND GUARD



REF NO.	PART NO.	DESCRIPTION	QTY. USED
1	GRDOO22383	WIND GUARD	1
2	MNT0015759	WIND GUARD MOUNT	2
3	NCH0000313	5/16 NC HEX NUT - PLATED	8
4	WLK0000313	5/16" LOCKWASHER - PLATED	7
5	MNT0235170	L. H. WINDGUARD MOUNT	1
6	MNT0235171	R. H. WINDGUARD MOUNT	1
7	SCCO020003	5/16 X 1-1/4 NC HT CS - PLATED	6
8	NCH0000375	3/8" NC HEX NUT - PLATED	14
9	WLK0000375	3/8" LOCKWASHER - PLATED	13
10	SCCO030003	3/8 X 1-1/4 NC HT CS - PLATED	10
11	MNT0021879	WINDGUARD SPRING MOUNT	1
12	STOO021878	WINDGUARD ROTATIONAL STOP	1
13	WCT0000313	5/16" FLATWASHER - PLATED	2
14	WCT0000375	3/8" FLATWASHER - PLATED	2
15	SCCO030005	3/8 X 1-3/4 NC HT CS - PLATED	1
16	F 0001517	RETURN SPRING	1
17	SMS0000304	5/16X 1 EYE BOLT - F-1	1

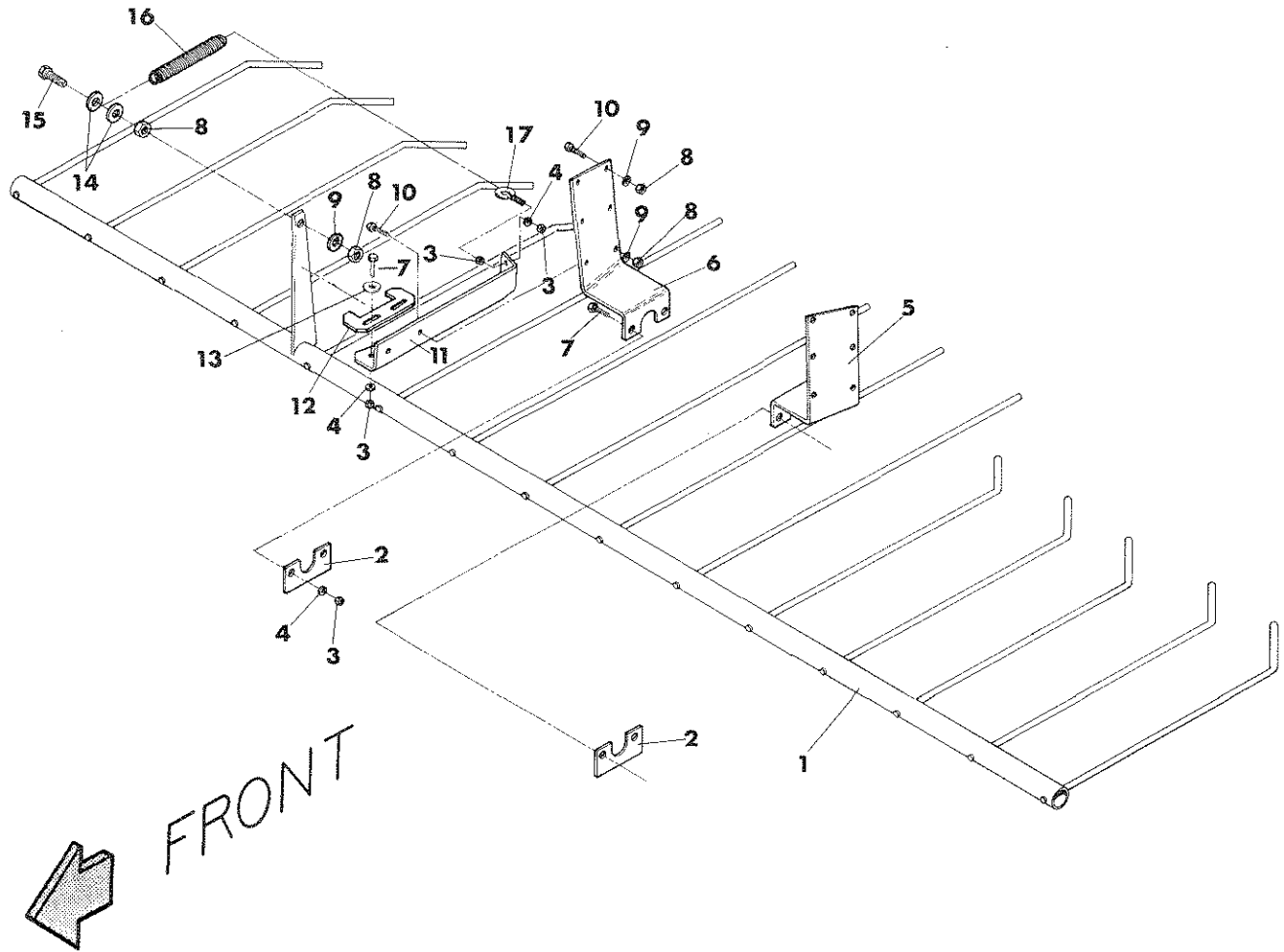
OPTIONAL WIND GUARD



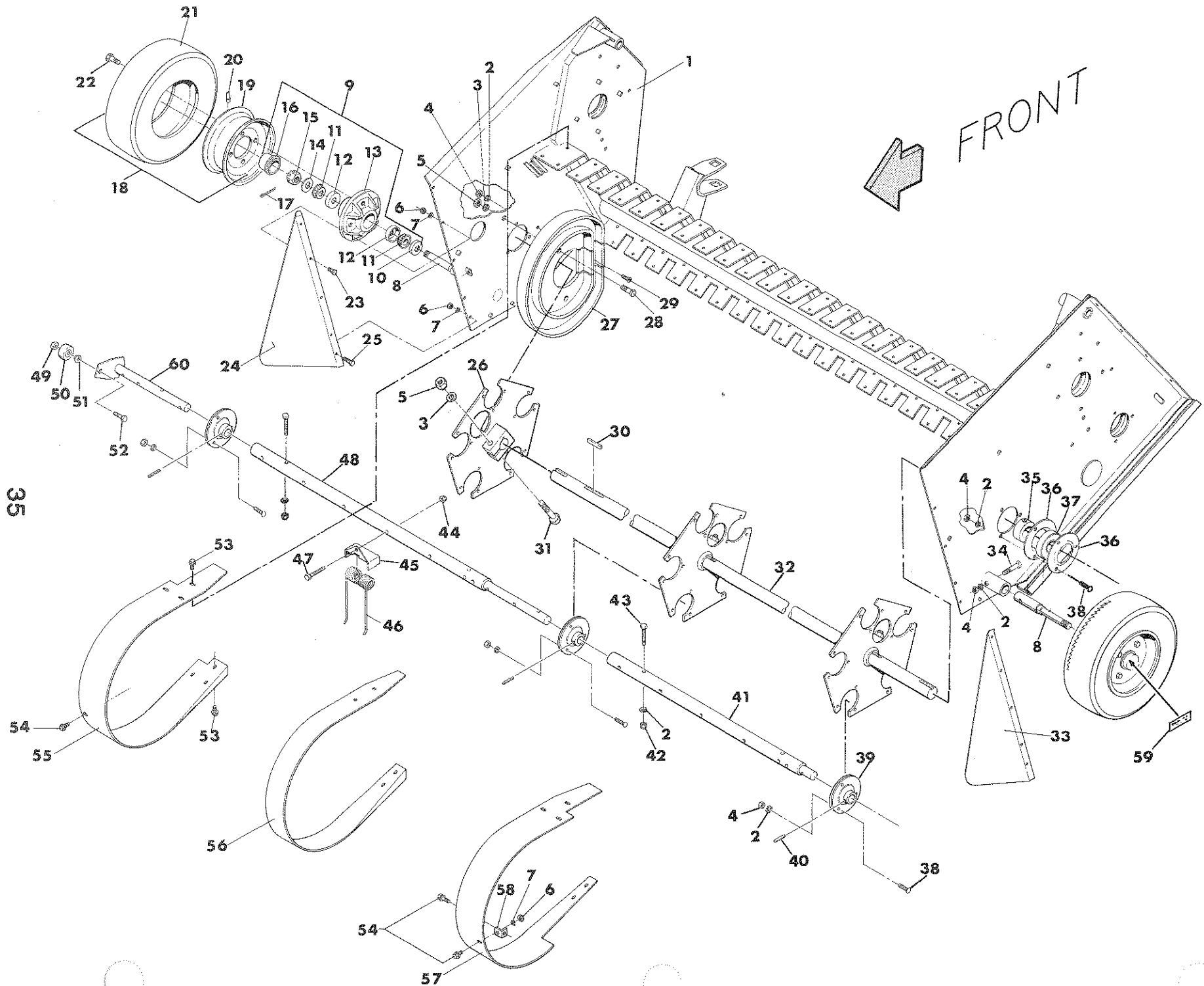
REF NO.	PART NO.	DESCRIPTION	QTY. USED	
	1	GRDO021541	OPTIONAL WINDGUARD	1
	2	MNT0015759	WIND GUARD MOUNT	2
	3	NCH0000313	5/16 NC HEX NUT - PLATED	8
	4	WLK0000313	5/16" LOCKWASHER - PLATED	7
	5	MNT0235170	L. H. WINDGUARD MOUNT	1
	6	MNT0235171	R. H. WINDGUARD MOUNT	1
	7	SCCO020003	5/16 X 1-1/4 NC HT CS - PLATED	6
	8	NCH0000375	3/8" NC HEX NUT - PLATED	14
	9	WLK0000375	3/8" LOCKWASHER - PLATED	13
	10	SCCO030003	3/8 X 1-1/4 NC HT CS - PLATED	10
	11	MNT0021879	WINDGUARD SPRING MOUNT	1
	12	STO0021878	WINDGUARD ROTATIONAL STOP	1
	13	WCT0000313	5/16" FLATWASHER - PLATED	2
	14	WCT0000375	3/8" FLATWASHER - PLATED	2
	15	SCCO030005	3/8 X 1-3/4 NC HT CS - PLATED	1
	16	F 0001517	TRIP SPRING	1
	17	SMS0000304	5/16X 1 EYE BOLT - F-1	1

NOTES

OPTIONAL EXTENDED WIND GUARD



REF NO.	PART NO.	DESCRIPTION	QTY. USED
1	GRD0023034	EXTENDED PICKUP WIND GUARD	1
2	MNT0015759	WIND GUARD MOUNT	2
3	NCH0000313	5/16 NC HEX NUT - PLATED	8
4	WLK0000313	5/16" LOCKWASHER - PLATED	7
5	MNT0235170	L. H. WINDGUARD MOUNT	1
6	MNT0235171	R. H. WINDGUARD MOUNT	1
7	SCC0020003	5/16 X 1-1/4 NC HT CS - PLATED	6
8	NCH0000375	3/8" NC HEX NUT - PLATED	14
9	WLK0000375	3/8" LOCKWASHER - PLATED	13
10	SCC0030003	3/8 X 1-1/4 NC HT CS - PLATED	10
11	MNT0021879	WINDGUARD SPRING MOUNT	1
12	STO0021878	WINDGUARD ROTATIONAL STOP	1
13	WCT0000313	5/16" FLATWASHER - PLATED	2
14	WCT0000375	3/8" FLATWASHER - PLATED	2
15	SCC0030005	3/8 X 1-3/4 NC HT CS - PLATED	1
16	F 0001517	RETURN SPRING	1
17	SMS0000304	5/16X 1 EYE BOLT	1

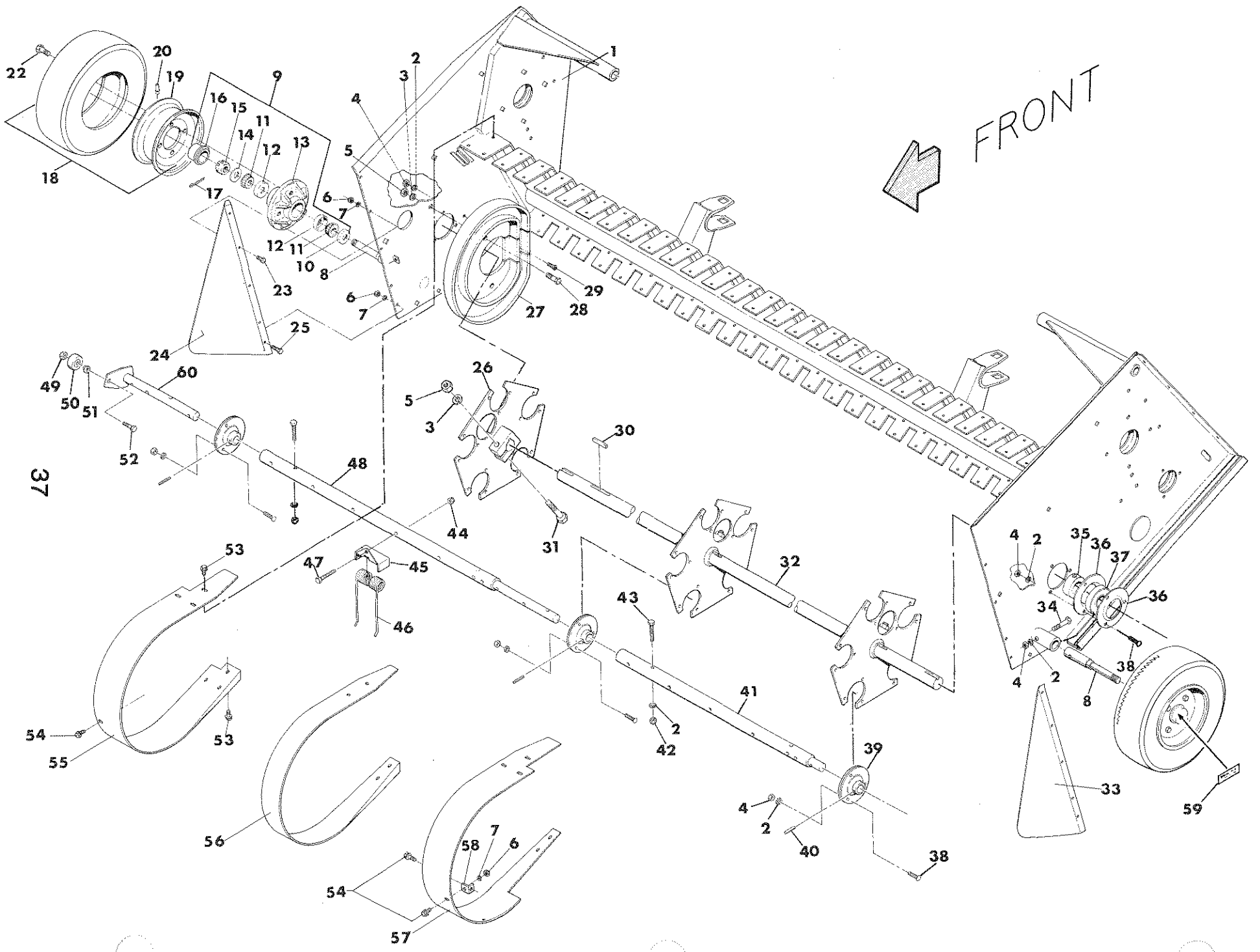


PICKUP REEL COMPONENTS

PICKUP REEL COMPONENTS
PCY0168-13 PICKUP ASSEMBLY COMPLETE

REF NO.	PART NO.	DESCRIPTION	QTY. USED
1	PCY0017583	PICKUP FRAME ASSEMBLY	1
2	WLK0000375	3/8" LOCKWASHER - PLATED	49
3	WLK0000500	1/2" LOCKWASHER - PLATED	7
4	NCH0000375	3/8" NC HEX NUT - PLATED	49
5	NCH0000500	1/2" NC HEX NUT - PLATED	7
6	NCH0000313	5/16" NC HEX NUT - PLATED	14
7	WLK0000313	5/16" LOCKWASHER - PLATED	14
8	SPN0017647	**1-5/16**P/U WHEEL SPN	2
9	HUB0000348	HUB W/BRGS & SEALS	2
10	SELO034823	SEAL F/HUB	2
11	F 0001909	BEARING CONE F/HAY SAVER	4
12	F 0001654	OUTER BEARING CUP	4
13	HUB0000BT12	WHEEL HUB	2
14	ZZ 0000219	1 X 2 X 14 GA MACHINE BUSHING	2
15	NFC0010000	1" NF CASTLE NUT	2
16	CAP0046749	CAP F/HUB348	2
17	COTO000502	1/8 X 1 COTTER PIN	2
18	WHLO401530	WHL&TIR ASB 480 X 8	2
19	WHLO412530	WHEEL 8 X 3.75	2
20	19-109	VALVE STEM	2
21	TIRO004008	TIRE FOR P/U (4.00 X 8 4PLY)	2
22	SMS0005393	LUG BOLT	8
23	SCC0020001	5/16 X 3/4 NC HT CS - PLATED	4
24	FEN1763201	R. H. PICKUP FENDER FLARE	1
25	SCC0020002	5/16 X 1 NC HT CS - PLATED	6
26	PCY0023053	PICKUP REEL PLATE	3
27	CAM0017414	PICKUP REEL CAM	1
28	SCC0050003	1/2 X 1-1/4 NC HT CS - PLATED	2
29	SCO0000303	3/8 X 1-1/4 NC FH SOCKET CS	2
30	F 0007904	3/8 X 3/8 X 2 KEY	3
31	SCC0050011	1/2 X 3-1/4 NC HT CS - PLATED	3
32	SHFO017650	PICKUP REEL SHAFT	1
33	FEN1763200	L. H. PICKUP FENDER FLARE	1
34	SCC0030007	3/8 X 2-1/4 NC HT CS - PLATED	2
35	F 0008381	LOCKING COLLAR F/F8102	2
36	F 0008383	FLANGETTE-NO ZERK F/F8102	4
37	F 0008380	BEARING ONLY F/F8102	2
38	CRB3751000	3/8 X 1 CARRIAGE BOLT W/NUT	6
39	BRG0001101	1590 TOOTH BAR BEARING	15
40	ZZ 0000715	1/4 X 1-3/4 ROLL PIN	15
41	BAR0023066	LEFT TOOTH BAR	5
42	NCE0000375	3/8" NC ESNA NUT - PLATED	10
43	SCC0030006	3/8 X 2 NC HT CS - PLATED	10
44	NFX0000375	3/8" NF FLEX-LOCK NUT	55
45	MNT0013456	PICKUP TOOTH MOUNT	55
46	PCY0013464	PICKUP FINGER	55
47	SFC0030007	3/8 X 2-1/4 NF HT CS - PLATED	55
48	BAR0023069	RIGHT TOOTH BAR	5
49	NCJ0000500	1/2" NC JAM NUT - PLATED	5
50	BRG0002029	CAM FOLLOWER BEARING	5
51	BSH0006231	CAM LVR ROLLER BUSHING-ADV P/U	5
52	SCC0050004	1/2 X 1-1/2 NC HT CS - PLATED	5
53	SMS0000198	5/16 X 1/2 NC WHIZ BOLT-PLATED	96
54	SMS0000184	5/16 X 3/4 NC WHIZ BOLT-PLATED	4
55	PCY0023097	RIGHT STRIPPER	1
56	PCY0023054	P/U CENTER STRIPPER	21
57	PCY0023096	LEFT STRIPPER	1
58	PCY0017634	P/UP STRIPPER MOUNT ANGLE	1
59	FD 0023951	LUG NUT DECAL	2
60	LEV0023055	TOOTH BAR CAM LEVER	5

OPTIONAL EXTENDED PICKUP REEL COMPONENTS

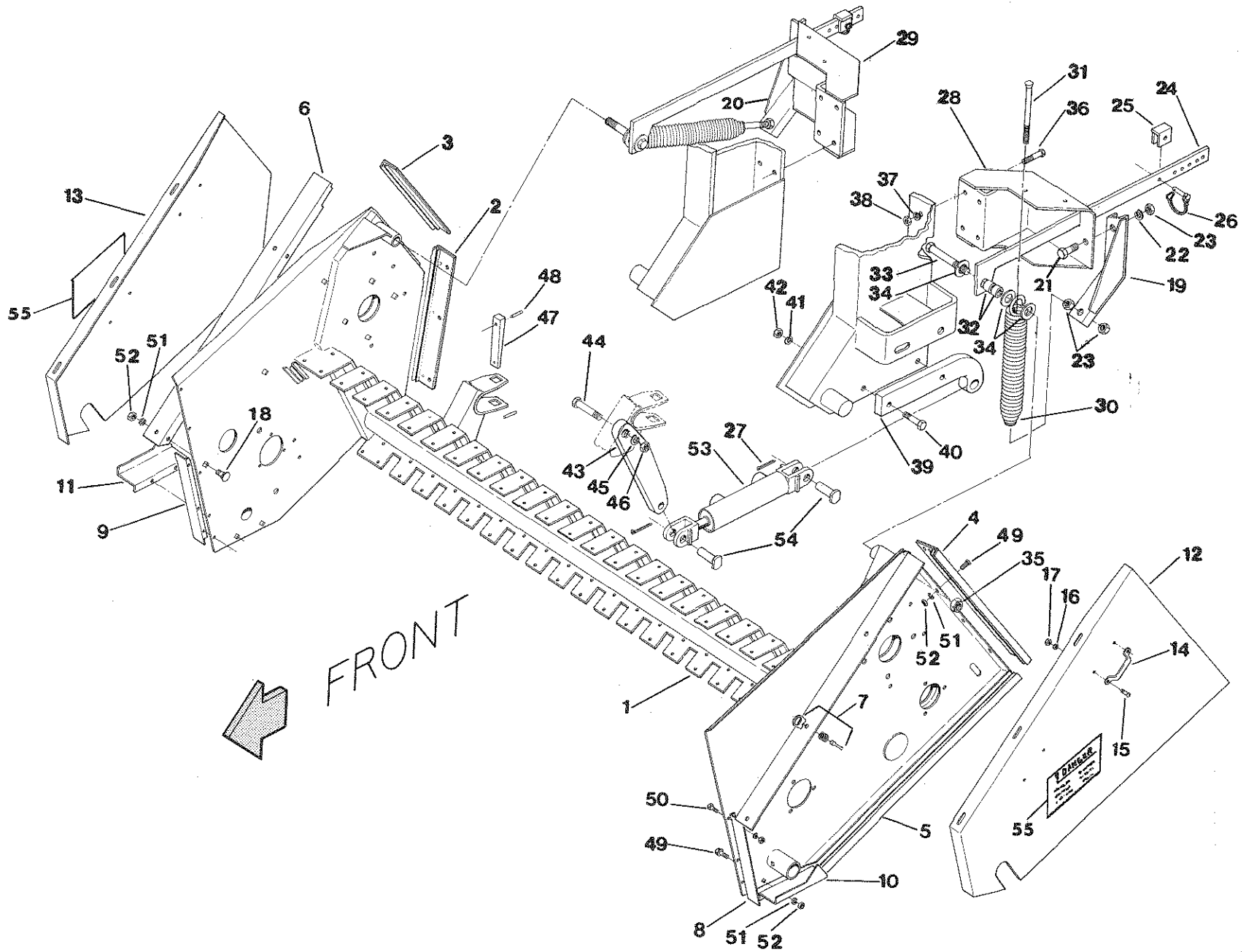


OPTIONAL EXTENDED PICKUP REEL COMPONENTS
PCY1682670 EXTENDED PICKUP ASSY COMPLETE

REF NO.	PART NO.	DESCRIPTION	QTY. USED
1	PCY0022996	EXTENDED PICK-UP FRAME ASSY	1
2	WLK0000375	3/8" LOCKWASHER - PLATED	49
3	WLK0000500	1/2" LOCKWASHER - PLATED	7
4	NCH0000375	3/8" NC HEX NUT - PLATED	49
5	NCH0000500	1/2" NC HEX NUT - PLATED	7
6	NCH0000313	5/16" NC HEX NUT - PLATED	14
7	WLK0000313	5/16" LOCKWASHER - PLATED	14
8	SPN0017647	**1-5/16**P/U WHEEL SPN	2
9	HUB0000348	HUB W/BRGS & SEALS	2
10	SEL0034823	SEAL F/HUB	2
11	F 0001909	BEARING CONE F/HAY SAVER	4
12	F 0001654	OUTER BEARING CUP	4
13	HUB000BT12	WHEEL HUB	2
14	ZZ 0000219	1 X 2 X 14 GA MACHINE BUSHING	2
15	NFC0010000	1" NF CASTLE NUT	2
16	CAP0046749	CAP F/HUB348	2
17	COT0000502	1/8 X 1 COTTER PIN	2
18	WHL0401530	WHL&TIR ASB 480 X 8	2
19	WHL0412530	WHEEL 8 X 3.75	2
20	19-109	VALVE STEM	2
21	TIR0004008	TIRE FOR P/U (4.00 X 8 4PLY)	2
22	SMS0005393	LUG BOLT	8
23	SCC0020001	5/16 X 3/4 NC HT CS - PLATED	4
24	FEN1763201	R. H. PICKUP FENDER FLARE	1
25	SCC0020002	5/16 X 1 NC HT CS - PLATED	6
26	PCY0023053	PICKUP REEL PLATE	3
27	CAM0017414	PICKUP REEL CAM	1
28	SCC0050003	1/2 X 1-1/4 NC HT CS - PLATED	2
29	SCO0000303	3/8 X 1-1/4 NC FH SOCKET CS	2
30	F 0007904	3/8 X 3/8 X 2 KEY	3
31	SCC0050011	1/2 X 3-1/4 NC HT CS - PLATED	3
32	SHF0023003	EXTENDED PICK-UP REEL SHAFT	1
33	FEN1763200	L. H. PICKUP FENDER FLARE	1
34	SCC0030007	3/8 X 2-1/4 NC HT CS - PLATED	2
35	F 0008381	LOCKING COLLAR F/F8102	2
36	F 0008383	FLANGETTE-NO ZERK F/F8102	4
37	F 0008380	BEARING ONLY F/F8102	2
38	CRB3751000	3/8 X 1 CARRIAGE BOLT W/NUT	45
39	BRG0001101	1590 TOOTH BAR BEARING	15
40	ZZ 0000715	1/4 X 1-3/4 ROLL PIN	15
41	BAR0023755	EXTENDED P/U LEFT TOOTH BAR	5
42	NCE0000375	3/8" NC ESNA NUT - PLATED	10
43	SCC0030006	3/8 X 2 NC HT CS - PLATED	10
44	NFX0000375	3/8" NF FLEX-LOCK NUT	70
45	MNT0013456	PICKUP TOOTH MOUNT	70
46	PCY0013464	PICKUP FINGER	70
47	SFC0030007	3/8 X 2-1/4 NF HT CS - PLATED	70
48	BAR0023756	EXTENDED P/U RIGHT TOOTH BAR	5
49	NCJ0000500	1/2" NC JAM NUT - PLATED	5
50	BRG0002029	CAM FOLLOWER BEARING	5
51	BSH0006231	CAM LVR ROLLER BUSHING	5
52	SCC0050004	1/2 X 1-1/2 NC HT CS - PLATED	5
53	SMS0000198	5/16 X 1/2 NC WHIZ BOLT-PLATED	119
54	SMS0000184	5/16 X 3/4 NC WHIZ BOLT-PLATED	4
55	PCY0023097	RIGHT STRIPPER	1
56	PCY0023054	PICKUP CENTER STRIPPER	27
57	PCY0023096	LEFT STRIPPER	1
58	PCY0017634	P/UP STRIPPER MOUNT ANGLE	1
59	FD 0023951	LUG NUT DECAL	2
60	LEV0023055	TOOTH BAR CAM LEVER	5

PICKUP SHIELDS AND MOUNTS

39

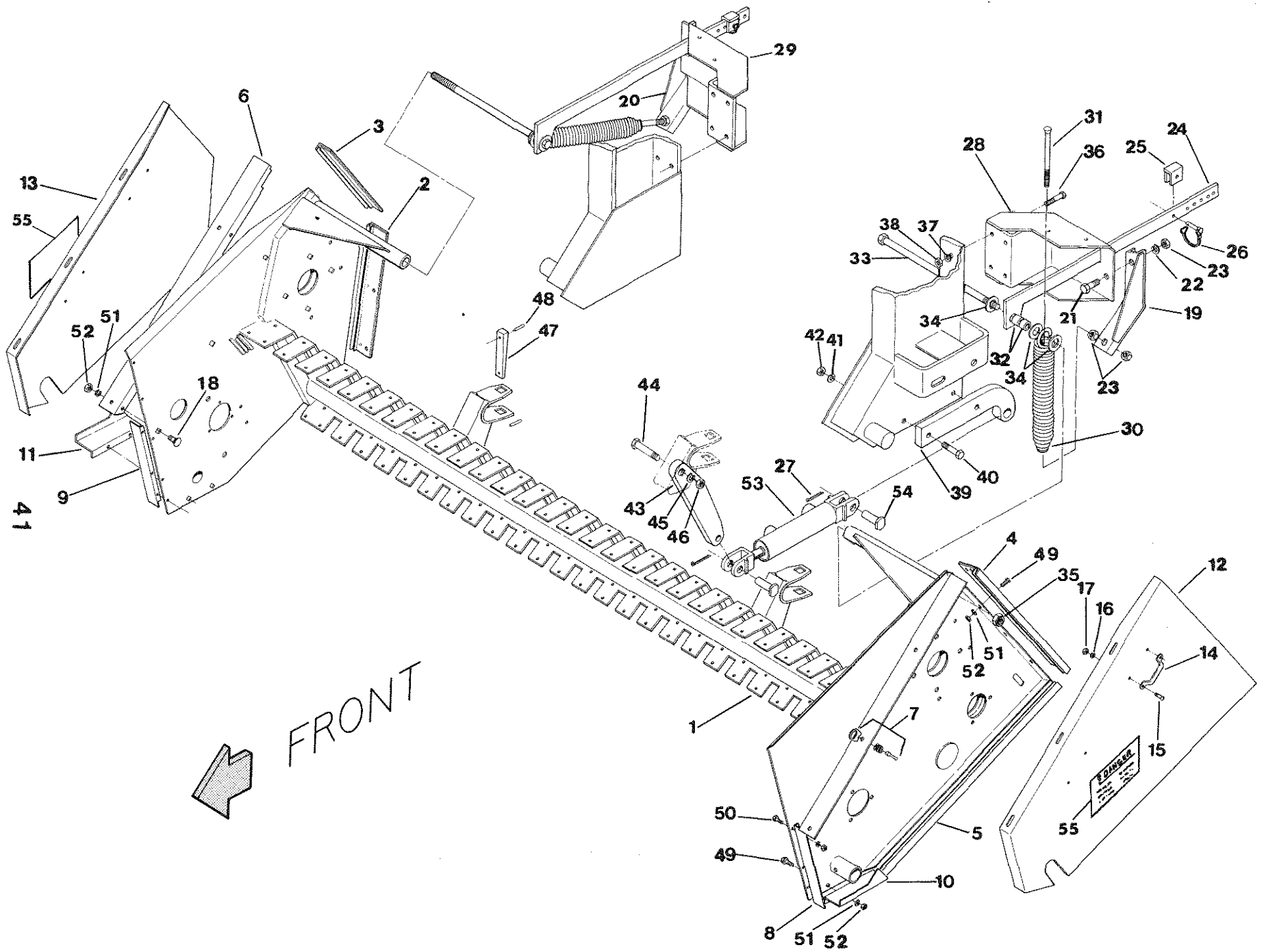


FRONT

PICKUP SHIELDS AND MOUNTS

PCY0168-13 PICKUP ASSEMBLY COMPLETE

REF NO.	PART NO.	DESCRIPTION	QTY. USED
1	PCY0017583	PICKUP FRAME ASSEMBLY	1
2	GUD0018010	PICKUP SHIELD GUIDE ASSEMBLY	1
3	GUD0018011	PICKUP SHIELD GUIDE ASSEMBLY	1
4	GUD0018012	PICKUP SHIELD GUIDE ASSEMBLY	1
5	SUP1763300	L. H. SHWN-P/UP SHIELD SUPPORT	1
6	SUP1763301	R. H. OPPO-P/U SHIELD SUPPORT	1
7	FST0010401	MED DUTY FOLDING HANDLE FASTNR	6
8	SUP1763500	L. H. SHWN-P/U SHIELD SUPPORT	1
9	SUP1763501	R. H. OPPO-P/U SHIELD SUPPORT	1
10	SHD0176360	L.H. SHOWN-P/U SHIELD BACKING	1
11	SHD0176361	R. H. OPPOS-P/U SHIELD BACKING	1
12	SHD0017637	PICKUP LEFT SHIELD	1
13	SHD0017638	PICKUP RIGHT SHIELD	1
14	HAN0000150	PLATED DOOR HANDLE	4
15	SMF1032500	10-32 X 1/2 FH MACHINE SCREW	8
16	WLK0000100	#10 LOCKWASHER - PLATED	8
17	NFH0001032	10-32 NF HEX NUT - PLATED	8
18	CRB3130750	5/16X 3/4 CARRIAGE BOLT	6
19	BKT1616200	L. H. P/U LIFT SPRING BRACKET	1
20	BKT1616201	R. H. P/U LIFT SPRING BRACKET	1
21	SCC0070003	5/8 X 1-1/4 NC HT CS - PLATED	2
22	WLK0000625	5/8" LOCKWASHER - PLATED	2
23	NCH0000625	5/8" NC HEX NUT - PLATED	6
24	ARMO015684	LIFT ARM F/PICKUP	2
25	BKTO015687	P/UP LIFT STOP BRACKET	2
26	PINO375125	3/8 X 1-1/4 SNAPPER PIN	2
27	COTO000805	3/16 X 2 COTTER PIN	2
28	BKTO235020	L. H. P/U LIFT SPG ANCHOR BKT	1
29	BKTO235021	R. H. P/U LIFT SPG ANCHOR BKT	1
30	SPGO017462	PICKUP LIFT SPRING	2
31	ANCO016029	PICKUP LIFT SPRING ANCHOR	2
32	SPCO016659	P/UP LIFT SPRING ANCHOR SPACER	4
33	SCCO000719	5/8 X 6-1/2 NC HT CAP SCREW	2
34	WCTO001000	1" FLATWASHER - PLATED	6
35	NCE0000625	5/8" NC ESNA NUT - PLATED	2
36	SCCO030003	3/8 X 1-1/4 NC HT CS - PLATED	8
37	WLK0000375	3/8" LOCKWASHER - PLATED	8
38	NCH0000375	3/8" NC HEX NUT - PLATED	8
39	MNT0014915	P/U LIFT CYL MNT	1
40	SCCO050006	1/2 X 2 NC HT CS - PLATED	2
41	WLK0000500	1/2" LOCKWASHER - PLATED	2
42	NCH0000500	1/2" NC HEX NUT - PLATED	2
43	ARMO015162	PICKUP LIFT	1
44	SCCO080012	3/4 X 3-1/2 NC HT CS - PLATED	1
45	WLK0000750	3/4" LOCKWASHER - PLATED	1
46	NCH0000750	3/4" NC HEX NUT - PLATED	1
47	PINO015507	PICKUP PIVOT PIN	2
48	ZZ 0000705	1/4 X 2 ROLL PIN	4
49	SCCO020001	5/16 X 3/4 NC HT CS - PLATED	9
50	SCCO020002	5/16 X 1 NC HT CS - PLATED	6
51	WLK0000313	5/16" LOCKWASHER - PLATED	25
52	NCH0000313	5/16 NC HEX NUT - PLATED	25
53	CYLO000205	P/U LIFT CYL	1
54	HYPO00FA2P	CLEVIS PIN FOR CYLO000205	2
55	FD 0023576	DECAL "DANGER!LOOK & LISTEN"	2
55	FD 000059E	DECAL - EUROPEAN VERSION	2

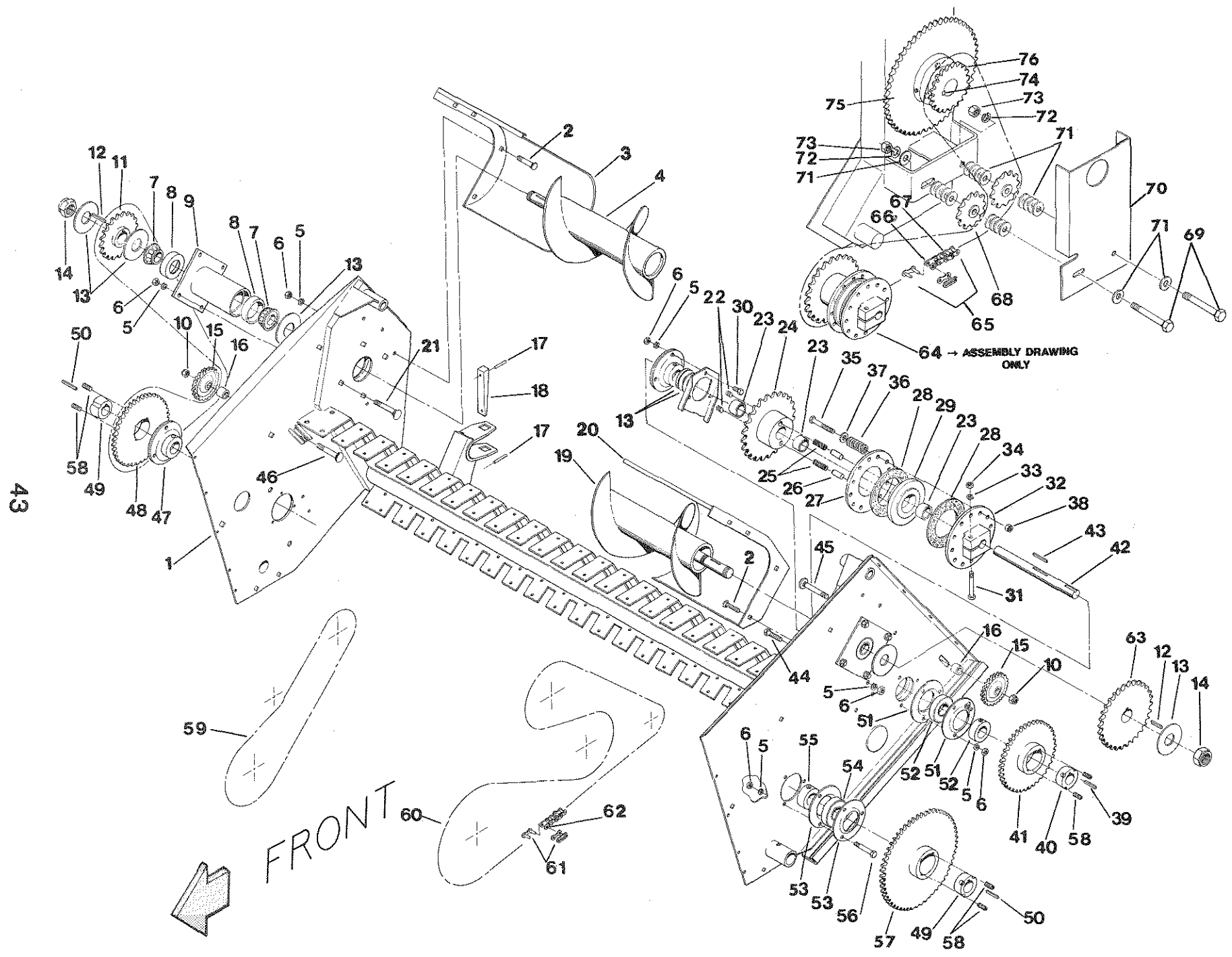


OPTIONAL EXTENDED PICKUP SHIELDS AND MOUNTS

OPTIONAL EXTENDED PICKUP SHIELDS AND MOUNTS
PCY1682670 EXTENDED PICKUP ASSY COMPLETE

REF NO.	PART NO.	DESCRIPTION	QTY. USED
1	PCY0022996	EXTENDED PICK-UP FRAME ASSY	1
2	GU00018010	PICKUP SHIELD GUIDE ASSEMBLY	1
3	GU00018011	PICKUP SHIELD GUIDE ASSEMBLY	1
4	GU00018012	PICKUP SHIELD GUIDE ASSEMBLY	1
5	SUP1763300	L. H. SHWN-P/UP SHIELD SUPPORT	1
6	SUP1763301	R. H. OPPO-P/UP SHIELD SUPPORT	1
7	FST0010401	MED DUTY FOLDING HANDLE FASTNR	6
8	SUP1763500	L. H. SHWN-P/UP SHIELD SUPPORT	1
9	SUP1763501	R. H. OPPO-P/UP SHIELD SUPPORT	1
10	SHD0176360	L. H. P/UP SHIELD BACKING	1
11	SHD0176361	R. H. P/UP SHIELD BACKING	1
12	SHD0017637	PICKUP LEFT SHIELD	1
13	SHD0017638	PICKUP RIGHT SHIELD	1
14	HAN0000150	PLATED DOOR HANDLE	4
15	SMF1032500	10-32 X 1/2 FH MACHINE SCREW	8
16	WLK0000100	#10 LOCKWASHER - PLATED	8
17	NFH0001032	10-32 NF HEX NUT - PLATED	8
18	CRB3130750	5/16X 3/4 CARRIAGE BOLT	6
19	BKT1616200	L. H. P/UP LIFT SPRING BRACKET	1
20	BKT1616201	R. H. P/UP LIFT SPRING BRACKET	1
21	SCC0070003	5/8 X 1-1/4 NC HT CS - PLATED	2
22	WLK0000625	5/8" LOCKWASHER - PLATED	2
23	NCH0000625	5/8" NC HEX NUT - PLATED	6
24	ARM0015684	LIFT ARM F/PICKUP	2
25	BKT0015687	P/UP LIFT STOP BRACKET	2
26	PIN0375125	3/8 X 1-1/4 SNAPPER PIN	2
27	COT0000805	3/16 X 2 COTTER PIN	2
28	BKT0235020	L. H. P/UP LEFT SPG ANCHOR BKT	1
29	BKT0235021	R. H. P/UP LEFT SPG ANCHOR BKT	1
30	SPG0017462	PICKUP LIFT SPRING	2
31	ANCO016029	PICKUP LIFT SPRING ANCHOR	2
32	SPC0016659	P/UP LIFT SPRING ANCHOR SPACER	4
33	ROD0023005	EXTENDED P/UP BALANCE SPRG ROD	2
34	WCT0001000	1" FLATWASHER - PLATED	6
35	NCE0000625	5/8" NC ESNA NUT - PLATED	2
36	SCC0030003	3/8 X 1-1/4 NC HT CS - PLATED	8
37	WLK0000375	3/8" LOCKWASHER - PLATED	8
38	NCH0000375	3/8" NC HEX NUT - PLATED	8
39	MNT0014915	P/UP LIFT CYL MNT	1
40	SCC0050006	1/2 X 2 NC HT CS - PLATED	2
41	WLK0000500	1/2" LOCKWASHER - PLATED	2
42	NCH0000500	1/2" NC HEX NUT - PLATED	2
43	ARM0015162	PICKUP LIFT ARM	1
44	SCC0080012	3/4 X 3-1/2 NC HT CS - PLATED	1
45	WLK0000750	3/4" LOCKWASHER - PLATED	1
46	NCH0000750	3/4" NC HEX NUT - PLATED	1
47	PIN0015507	PICKUP PIVOT PIN	2
48	ZZ 0000705	1/4 X 2 ROLL PIN	4
49	SCC0020001	5/16 X 3/4 NC HT CS - PLATED	9
50	SCC0020002	5/16 X 1 NC HT CS - PLATED	6
51	WLK0000313	5/16" LOCKWASHER - PLATED	25
52	NCH0000313	5/16" NC HEX NUT - PLATED	25
53	CYLO000205	P/UP LIFT CYL F/1500 - FA2 X 5	1
54	HYP000FA2P	CLEVIS PIN FOR CYLO000205	2
55	FD 000059E	DECAL - EUROPEAN VERSION	2
55	FD 0023576	DECAL "DANGER!LOOK & LISTEN"	2

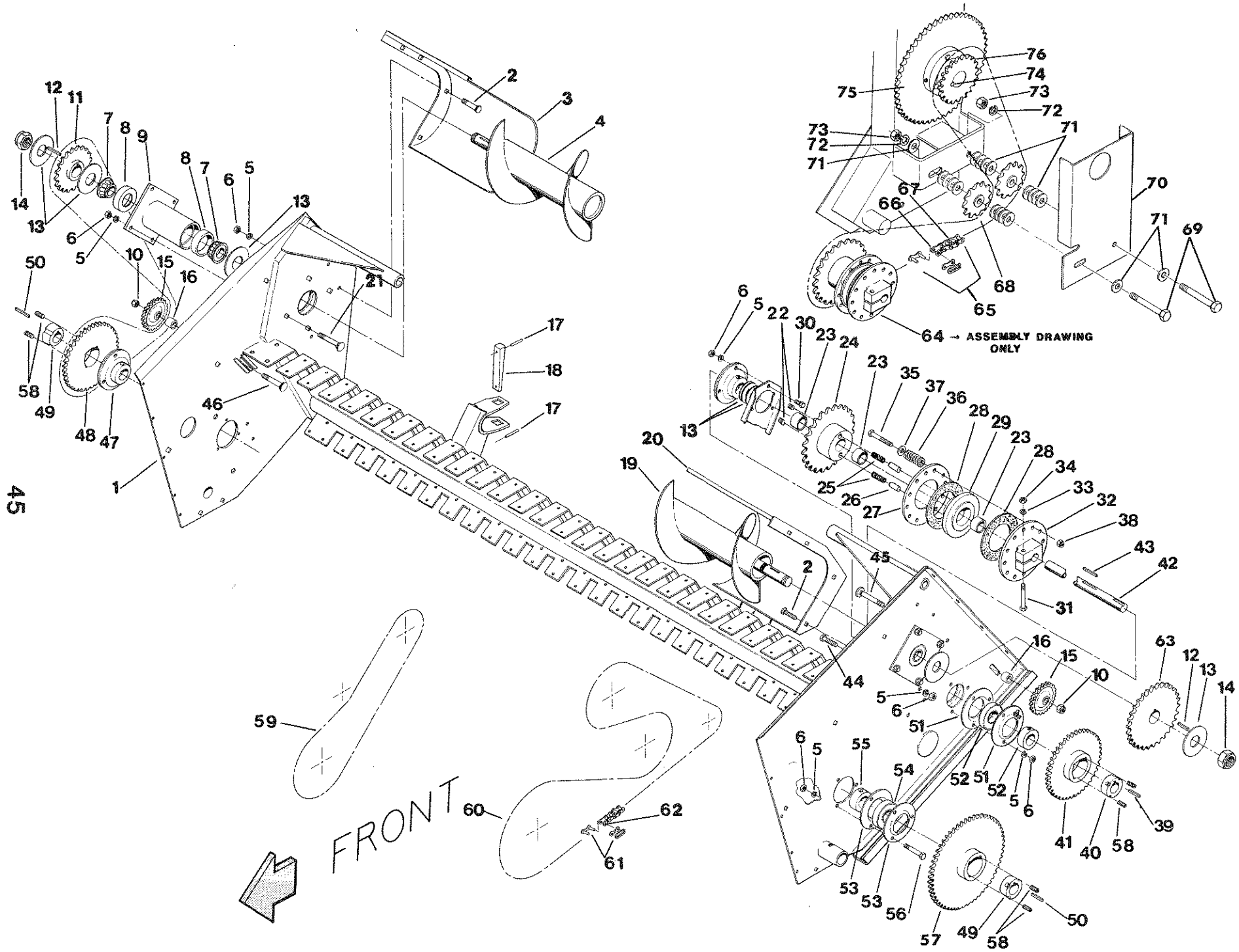
PICKUP DRIVE COMPONENTS



PICKUP DRIVE COMPONENTS

PCY0168-13 PICKUP ASSEMBLY COMPLETE

REF NO.	PART NO.	DESCRIPTION	QTY. USED
1	PCY0017583	PICKUP FRAME ASSEMBLY	1
2	CRB3752000	3/8 X 2 CARRIAGE BOLT	8
3	AUG1762201	R. H. PICKUP AUGER TROUGH	1
4	AUG0023176	PICKUP RIGHT AUGER ASSEMBLY	1
5	WLK0000375	3/8" LOCKWASHER - PLATED	23
6	NCH0000375	3/8" NC HEX NUT - PLATED	23
7	BRG0067000	BEARING COMPLETE	4
8	F 0008011	OUTER WHEEL BEARING CUP	4
9	HSN0017659	P/UP AUGER SHAFT BRG HSN	2
10	NCJ0000500	1/2" NC JAM NUT - PLATED	2
11	SPK0005023	SPK 1-1/4BORE 1/4 KW 2SS UST	1
12	ZZ 0000450	1/4 X 1/4 X 1-1/8 KEY	2
13	WAS0015783	HARDENED ZZ228 MACHINE BUSHING	6
14	F 0008080	1-1/4 NF ESNA NUT-PLATED	2
15	SPK0002416	IDLER SPROCKET - AG2416A	2
16	SPCO017669	P/UP IDLER SPROCKET SPACER	2
17	ZZ 0000705	1/4 X 2 ROLL PIN	4
18	PIN0015507	PICKUP PIVOT PIN	2
19	AUG0023174	PICKUP LEFT AUGER ASSEMBLY	1
20	AUG1762200	L. H. PICKUP AUGER TROUGH	1
21	CRB3752000	3/8 X 2 CARRIAGE BOLT	8
22	HYD3169030	3/8 SOCKET HD STEEL PIPE PLUG	2
23	BRG0020016	P/U DRIVE SHAFT BUSHING	3
24	SPK0017769	P/UP DRIVE SPROCKET	1
25	F 0001790	COMPRESSION SPRING F/PTO CLTCH	2
26	F 0001791	CLUTCH PIN	2
27	CLH0017849	P/U CLUTCH DISC	1
28	F 0001793	FRICTION DISC F/PTO CLUTCH	2
29	CLH0017767	PICKUP DRIVE CLUTCH	1
30	SCCO030002	3/8 X 1 NC HT CS - PLATED	3
31	SCCO050011	1/2 X 3-1/4 NC HT CS - PLATED	1
32	CLH0017773	P/UP CLUTCH ADAPTER	1
33	WLK0000500	1/2" LOCKWASHER - PLATED	1
34	NCH0000500	1/2" NC HEX NUT - PLATED	1
35	SCCO030011	3/8 X 3-1/4 NC HT CS - PLATED	4
36	F 0001797	CLUTCH PLT COMPRESSION SPRING	4
37	WCT0000375	3/8" FLATWASHER - PLATED	4
38	NCE0000375	3/8" NC ESNA NUT - PLATED	4
39	ZZ 0000406	1/4 X 1/4 X 1 KEY	1
40	BSH1252012	1-1/4 BORE BUSHING	1
41	SPK0005041	SPROCKET 50BTL41 TAPER LOCK	1
42	SHFO017651	PICKUP DRIVE SHAFT	1
43	ZZ 0000454	1/4 X 1/4 X 2 KEY	1
44	SCCO030006	3/8 X 2 NC HT CS - PLATED	3
45	CRB5003750	1/2 X 3-3/4 CARRIAGE BOLT	1
46	CRB5003000	1/2 X 3 CARRIAGE BOLT	1
47	F 0008102	BEARING ASSY F/PICKUP SHAFT	2
48	SPK0000536	SPROCKET -50BTL36	1
49	BSH0001021	1-3/8 BORE X 3/8 KEYWAY BUSHG	1
50	ZZ 0000438	3/8 X 3/8 X 1 KEY	2
51	BRG0000063	FLANGETTE G62MSB	4
52	BRG0000103	1-1/4" BEARING & COLLAR	2
53	F 0008383	FLANGETTE-NO ZERK	2
54	F 0008380	BEARING ONLY	2
55	F 0008381	LOCKING COLLAR	2
56	CRB3751000	3/8 X 1 CARRIAGE BOLT W/NUT	6
57	SPK0000554	SPROCKET - 50BTL54	1
58	SCCO000403	7/16 X 7/8 NC FH SOCKET CS	6
59	CHN0005087	CHAIN - RC50 X 85 PITCH	1
59	F 0000025	CONNECTING LINK-RC50	1
59	F 0000123	#50 OFFSET LINK	1
60	CHN00050177	CHAIN - RC50 X 177 PITCH	1
61	F 0000025	CONNECTING LINK-RC50	1
62	F 0000123	#50 OFFSET LINK	1
63	SPK0005035	SPK 1-1/4BORE 1/4 KW 2SS	1
64	DRW0017772	PICKUP DRIVE ASSEMBLY	1
65	F 0000760	V-60 CONNECTING LINK	1
66	F 0000759	OFFSET LINK-RC60	1
67	CHN0008064	CHAIN - #60 X 64 PITCH	1
68	SPK011536S	IDLER SPOCKET - 010-6015S	2
69	SCCO070010	5/8 X 3 NC HT CS - PLATED	2
70	GRDO023446	PICKUP DRIVE CHAIN GUARD	1
71	WCT0000625	5/8" FLATWASHER - PLATED	19
72	WLK0000625	5/8" LOCKWASHER - PLATED	2
73	NCH0000625	5/8" NC HEX NUT - PLATED	2
74	ZZ 0000414	1/2 X 1/2 X 1-1/4 KEY	1
75	SPK0080360	SPROCKET 80SF36	1
76	SPK0602202	SPROCKET, 60B22 2" FIN. BORE	1



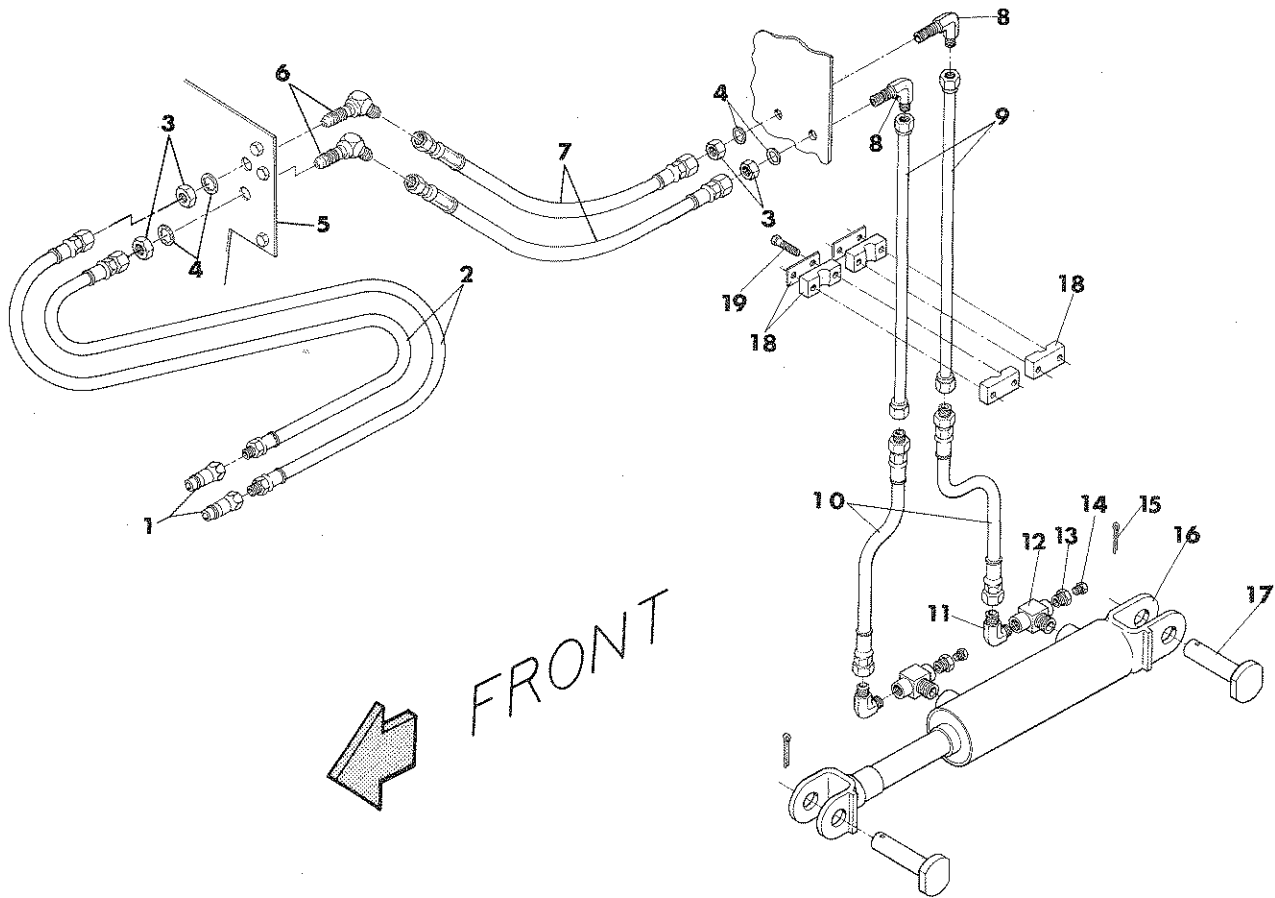
OPTIONAL EXTENDED PICKUP DRIVE COMPONENTS

OPTIONAL EXTENDED PICKUP DRIVE COMPONENTS
PCY1682670 EXTENDED PICKUP ASSY COMPLETE

REF NO.	PART NO.	DESCRIPTION	QTY. USED
1	PCY0022996	EXTENDED PICK-UP FRAME ASSY	1
2	CRB3752000	3/8 X 2 CARRIAGE BOLT	8
3	AUG0229871	R.H. PICKUP AUGER TROUGH ASSY	1
4	AUG0023764	EXTENDED P/U R.H. AUGER ASSY	1
5	WLK0000375	3/8" LOCKWASHER - PLATED	23
6	NCH0000375	3/8" NC HEX NUT - PLATED	23
7	BRG0067000	BEARING COMPLETE	4
8	F 0008011	OUTER WHEEL BEARING CUP	4
9	HSN0017659	P/UP AUGER SHAFT BRG HSN	2
10	NCJ0000500	1/2" NC JAM NUT - PLATED	2
11	SPK0005023	SPK 1-1/4BORE 1/4 KW 2SS UST	1
12	ZZ 0000450	1/4 X 1/4 X 1-1/8 KEY	2
13	WAS0015783	HARDENED ZZ228 MACHINE BUSHING	6
14	F 0008080	1-1/4 NF ESNA NUT-PLATED	2
15	SPK0002416	IDLER SPROCKET - AG2416A	2
16	SPC0017669	P/UP IDLER SPROCKET SPACER	2
17	ZZ 0000705	1/4 X 2 ROLL PIN	4
18	PINO015507	PICKUP PIVOT PIN	2
19	AUG0023763	EXTENDED P/U L.H. AUGER ASSY	1
20	AUG0229870	L.H. PICKUP AUGER TROUGH	1
21	CRB3752000	3/8 X 2 CARRIAGE BOLT	8
22	HYD3169030	3/8 SOCKET HD STEEL PIPE PLUG	2
23	BRG0020016	P/U DRIVE SHAFT BUSHING	3
24	SPK0017769	P/UP DRIVE SPROCKET	1
25	F 0001790	COMPRESSION SPRING F/PTO CLTCH	2
26	F 0001791	CLUTCH PIN	2
27	CLH0017849	P/U CLUTCH DISC	1
28	F 0001793	FRICITION DISC F/PTO CLUTCH	2
29	CLH0017767	PICKUP DRIVE CLUTCH	1
30	SCC0030002	3/8 X 1 NC HT CS - PLATED	3
31	SCC0050011	1/2 X 3-1/4 NC HT CS - PLATED	1
32	CLH0017773	P/UP CLUTCH ADAPTER	1
33	WLK0000500	1/2" LOCKWASHER - PLATED	1
34	NCH0000500	1/2" NC HEX NUT - PLATED	1
35	SCC0030011	3/8 X 3-1/4 NC HT CS - PLATED	4
36	F 0001797	CLUTCH PLT COMPRESSION SPRING	4
37	WCT0000375	3/8" FLATWASHER - PLATED	4
38	NCE0000375	3/8" NC ESNA NUT - PLATED	4
39	ZZ 0000406	1/4 X 1/4 X 1 KEY	1
40	BSH1252012	1-1/4 BORE BUSHING	1
41	SPK0005041	SPROCKET 50BTL41 TAPER LOCK	1
42	SHF0022997	EXTENDED P/U DRIVE SHAFT	1
43	ZZ 0000454	1/4 X 1/4 X 2 KEY	1
44	SCC0030006	3/8 X 2 NC HT CS - PLATED	3
45	CRB5003750	1/2 X 3-3/4 CARRIAGE BOLT	1
46	CRB5003000	1/2 X 3 CARRIAGE BOLT	1
47	F 0008102	BEARING ASSY F/PICKUP SHAFT	2
48	SPK0000536	SPROCKET -50BTL36	1
49	BSH0001021	1-3/8 BORE X 3/8 KEYWAY BUSHG	1
50	ZZ 0000438	3/8 X 3/8 X 1 KEY	2
51	BRG0000063	FLANGETTE G62MSB	4
52	BRG0000103	1-1/4" BEARING & COLLAR	2
53	F 0008383	FLANGETTE-NO ZERK F/F8102	2
54	F 0008380	BEARING ONLY F/F8102	2
55	F 0008381	LOCKING COLLAR F/F8102	2
56	CRB3751000	3/8 X 1 CARRIAGE BOLT W/NUT	6
57	SPK0000554	SPROCKET - 50BTL54	1
58	SCO0000403	7/16 X 7/8 NC FH SOCKET CS	6
59	CHN0005087	CHAIN - RC50 X 85 PITCH	1
59	F 0000025	CONNECTING LINK-RC50	1
59	F 0000123	#50 OFFSET LINK	1
60	CHN0050177	CHAIN - RC50 X 177 PITCH	1
61	F 0000025	CONNECTING LINK-RC50	1
62	F 0000123	#50 OFFSET LINK	1
63	SPK0005035	SPK 1-1/4BORE 1/4 KW 2SS	1
64	DRW0017772	PICKUP DRIVE ASSEMBLY	1
65	F 0000760	V-60 CONNECTING LINK	1
66	F 0000759	OFFSET LINK-RC60	1
67	CHN0006064	CHAIN - #60 X 64 PITCH	1
68	SPK011536S	IDLER SPOCKET - 010-6015S	2
69	SCC0070010	5/8 X 3 NC HT CS - PLATED	2
70	GRD0023446	PICKUP DRIVE CHAIN GUARD	1
71	WCT0000625	5/8" FLATWASHER - PLATED	19
72	WLK0000625	5/8" LOCKWASHER - PLATED	2
73	NCH0000625	5/8" NC HEX NUT - PLATED	2
74	ZZ 0000414	1/2 X 1/2 X 1-1/4 KEY	1
75	SPK0080360	SPROCKET 80SF36	1
76	SPK0602202	SPROCKET, 60B22 2" FIN. BORE	1

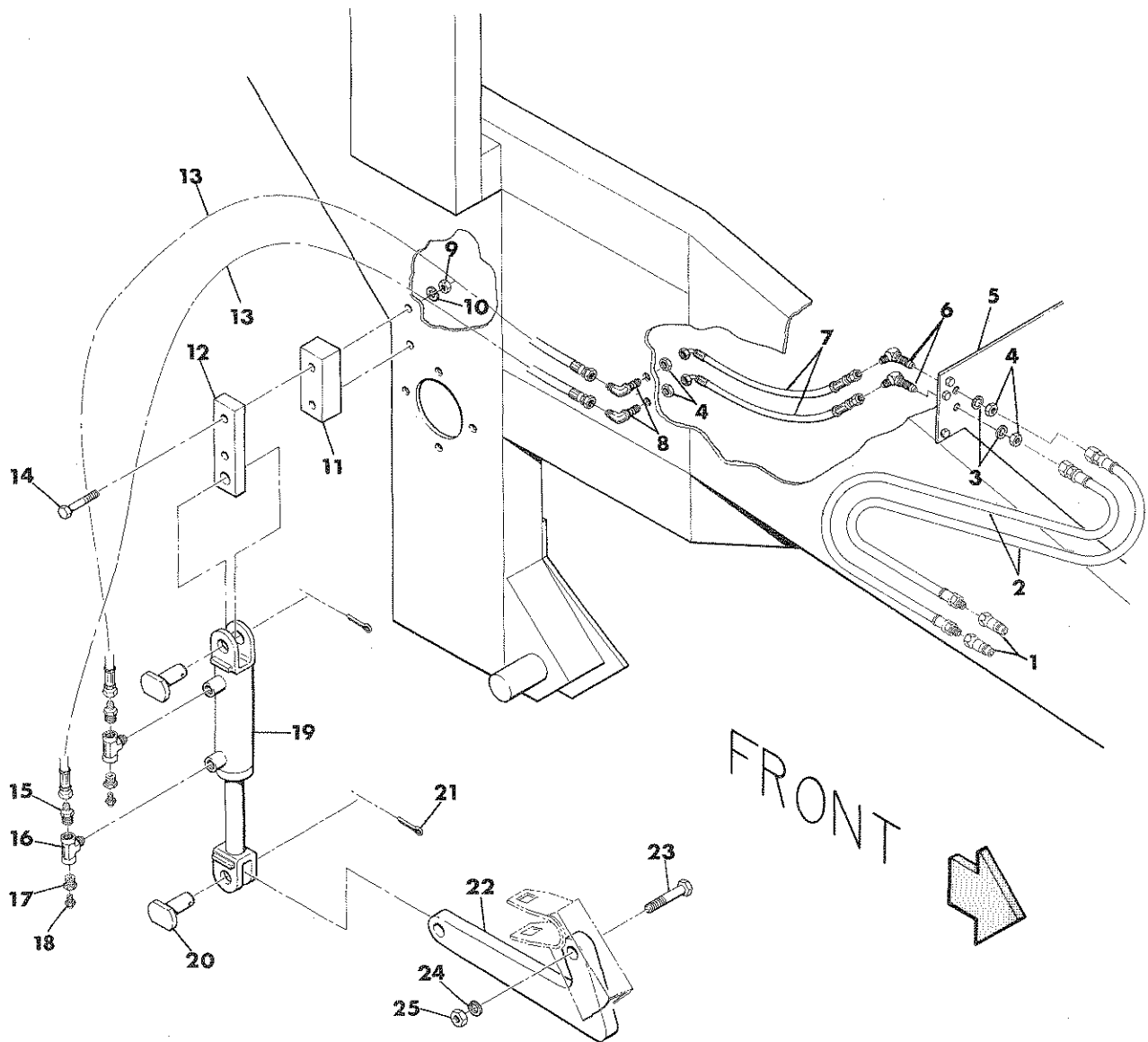
L.H. PICKUP HYDRAULIC LIFT SYSTEM

SN# 104 - 123



REF NO.	PART NO.	DESCRIPTION	QTY. USED
1	CPL0080104	1/2" HYDRAULIC QUICK COUPLER	2
2	HOS0016658	HOSE-PICKUP LIFT SUPPLY	2
3	HYD5924030	3/8" BULKHEAD NUT	4
4	WIS0005625	9/16 INTERNAL STAR WASHER-PLT	4
5	SHD0023442	SHEAVE FRONT LOWER SHIELD	1
6	HYD5375030	3/8 JIC 45* BLKHD UNION ELBOW	2
7	HOS0016625	HOSE-LONG PICKUP LIFT	2
8	HYD5525030	3/8 JIC X 90* BLKHD UNION ELB	2
9	TBE0023585	PICKUP LIFT SUPPLY TUBE	2
10	HOS0016656	19-15/16" P/U LIFT CYL. HOSE	2
11	F 0006635	3/8 X 3/8 X 90* JIC MALE ELBOW	2
12	HYD3609030	3/8 NPT STEEL MALE BRANCH TEE	2
13	HYD3109032	3/8 X 1/4 STEEL PIPE BUSHING	2
14	HYD0000705	1/8 NPT MULTI-PURPOSE AIR VENT	2
15	COT0000805	3/16 X 2 COTTER PIN	2
16	CYL0000205	PICKUP LIFT CYLINDER	1
17	HYPO00FA2P	CLEVIS PIN	2
18	CLP0010951	TUBE CLAMP	2
19	SCC0010003	1/4 X 1-1/4 NC HT CS - PLATED	4

R.H. PICKUP HYDRAULIC LIFT SYSTEM SN# 124+

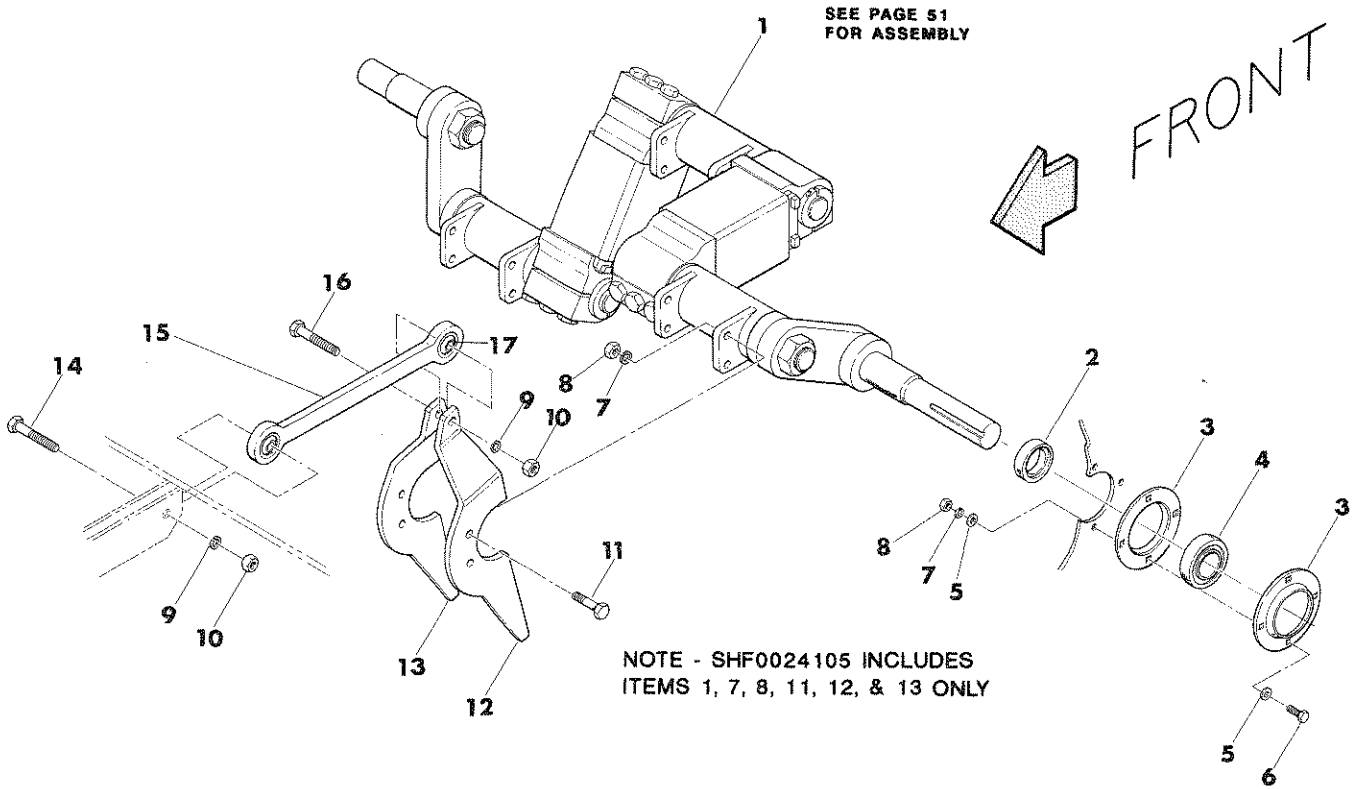


REF NO.	PART NO.	DESCRIPTION	QTY. USED
1	CPL0080104	1/2" HYDRAULIC QUICK COUPLER	2
2	HOS0016658	HOSE, PICKUP LIFT SUPPLY	2
3	WIS0005625	9/16 INTERNAL STAR WASHER-PLT	4
4	HYD5924030	3/8" BULKHEAD NUT	4
5	SHD0023442	FRONT LOWER SHEAVE SHIELD	1
6	HYD5375030	3/8 JIC 45* BLKHD UNION ELBOW	2
7	HOS0024293	LONG PICKUP LIFT HOSE	2
8	HYD5525030	3/8 JIC X 90* BLKHD UNION ELB	2
9	NCH0000500	1/2" NC HEX NUT - PLATED	2
10	WLK0000500	1/2" LOCKWASHER - PLATED	2
11	SPC0024097	PICKUP LIFT CYL MOUNT SPACER	1
12	MNT0024096	PICKUP LIFT CYLINDER MOUNT	1
13	HOS0024207	PICKUP LIFT CYLINDER HOSE	2
14	SCC0050012	1/2 X 3-1/2 NC HT CS - PLATED	2
15	HYD5205033	3/8 JIC X 3/8 NPT MALE CONN	2
16	HYD3609030	3/8 NPT STEEL MALE BRANCH TEE	2
17	HYD3109032	3/8 X 1/4 STEEL PIPE BUSHING	2
18	HYD0000705	1/8 NPT MULTI-PURPOSE AIR VENT	2
19	CYL0000205	PICKUP LIFT CYLINDER	1
20	HYPO00FA2P	CLEVIS PIN	2
21	COT0000805	3/16 X 2 COTTER PIN	2
22	ARM0024083	PICKUP LIFT ARM	1
23	SCC0080012	3/4 X 3-1/2 NC HT CS - PLATED	1
24	WLK0000750	3/4" LOCKWASHER - PLATED	1
25	NCH0000750	3/4" NC HEX NUT - PLATED	1

NOTES

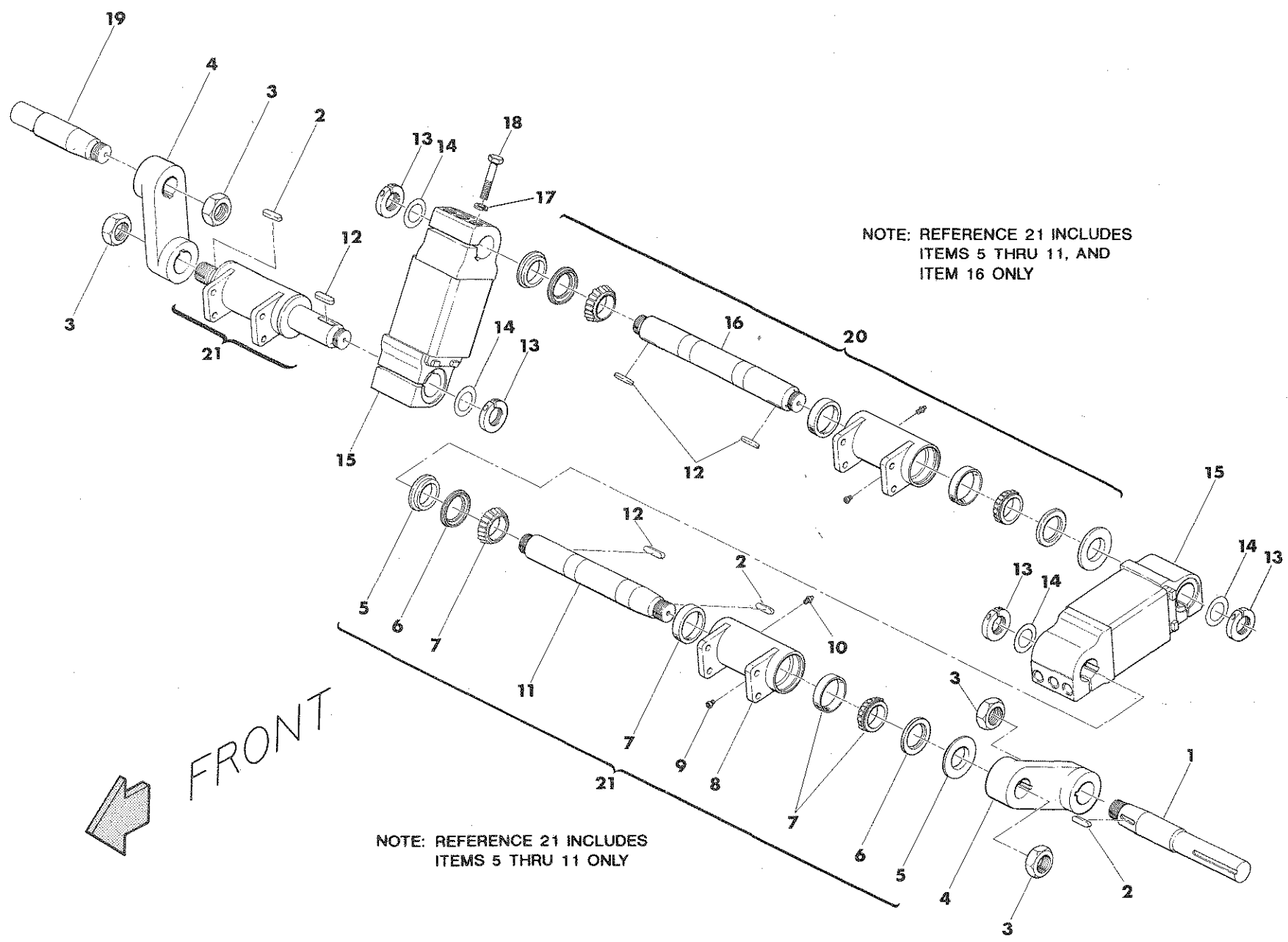


FEEDER CRANK SHAFT AND TINES



REF NO.	PART NO.	DESCRIPTION	QTY. USED
1	SHF0023127	FEEDER CRANK SHAFT ASSEMBLY	1
2	BRG0002002	ECCENTRIC COLLAR	2
3	BRG0002001	BEARING STAMPING	4
4	BRG0002000	CRANK BEARING	2
5	WAS0000104	1/2 STRUCTURAL WASHER	16
6	SFC0050004	1/2 X 1-1/2 NF HT CS - PLATED	8
7	WLK0000500	1/2" LOCKWASHER - PLATED	20
8	NFH0080500	1/2" NF HEX NUT - GRADE 8	20
9	WLK0000625	5/8" LOCKWASHER - PLATED	6
10	NCH0000625	5/8" NC HEX NUT - PLATED	6
11	SFC0080505	1/2 X 1-3/4 NF GR 8 CAP SCREW	12
12	TIN0231340	L. H. FEEDER TINE	3
13	TIN0231341	R. H. FEEDER TINE	3
14	SCC0070007	5/8 X 2-1/4 NC HT CS - PLATED	3
15	LNK0023133	FEEDER TINE LINK WITH BEARINGS	3
16	SCC0070010	5/8 X 3 NC HT CS - PLATED	3
17	BRG0106250	FEEDER TINE LINK BEARING	A/R
18	SHF0024105	CRANK SHAFT ASSY, WITH TINES	1

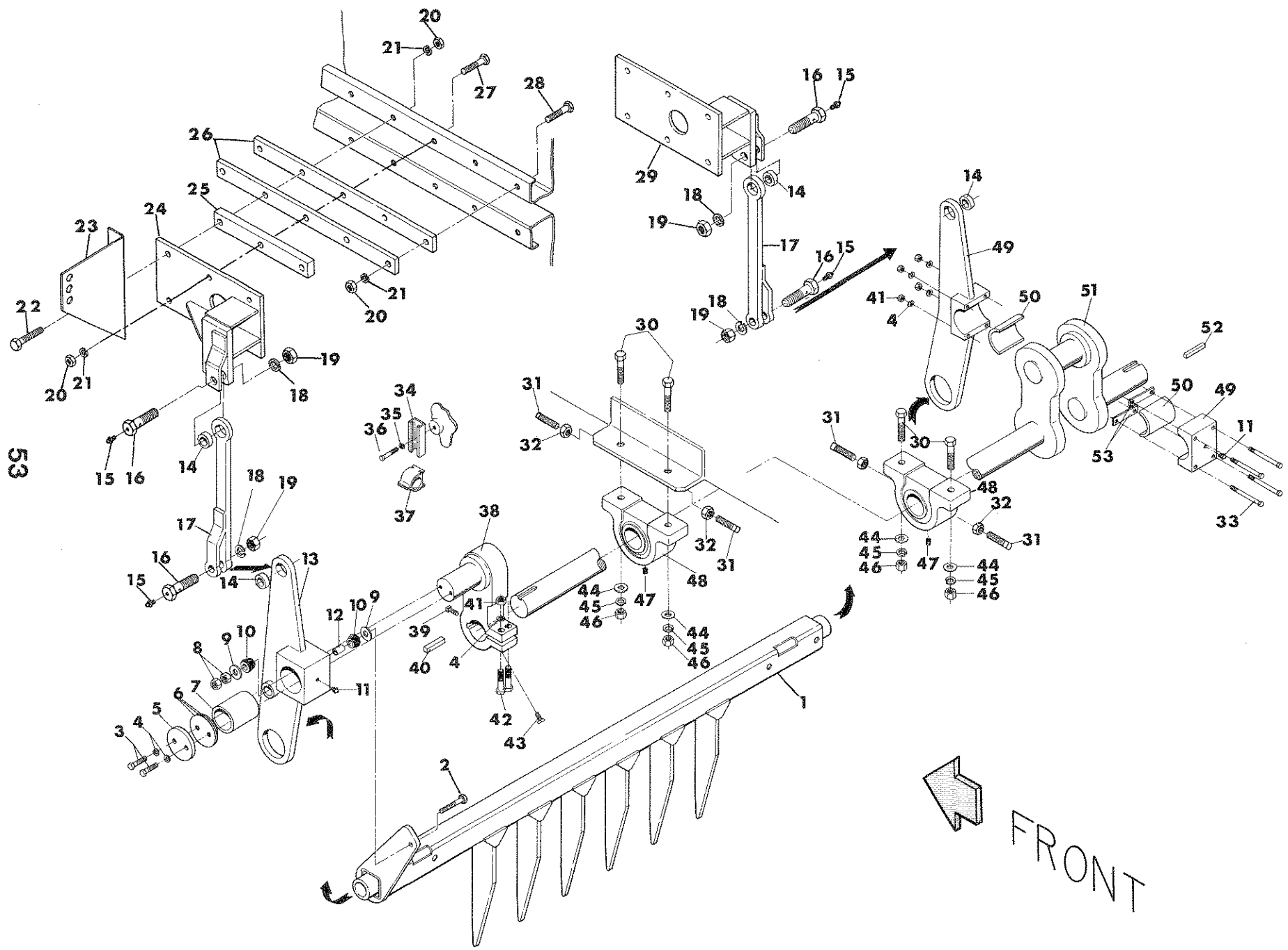
FEEDER CRANK SHAFT ASSEMBLY



FEEDER CRANK SHAFT ASSEMBLY

SHF0023127

REF NO.	PART NO.	DESCRIPTION	QTY. USED
1	SHF0023130	FEEDER CRANK SHAFT	1
2	ZZ 0000453	1/2 X 1/2 X 1 KEY	3
3	NMS0023666	FEEDER CRANK BEARING NUT	4
4	ARM0023120	FEEDER CRANK ARM	2
5	RNG0023161	BEARING THRUST RING	6
6	SEL0507949	BEARING SEAL	6
7	BRG0507910	BEARING CUP	6
7	BRG0507949	BEARING	6
8	HSN0023116	TINE BEARING HOUSING	3
9	LUB0323060	1/8" PRESSURE FITTINGS-VALVES	3
10	ZZ 0000103	1/8 NPT STR 7/16 HEX ZERK	3
11	SHF0023129	FEEDER CRANK SHAFT	2
12	ZZ 0000451	1/2 X 1/2 X 1-1/2 KEY	4
13	LOK0017500	1-3/4 STD THD LOCK COLLAR-16L	4
14	ZZ 0000203	1-3/4 X 18 GA MACHINE BUSHING	A/R
15	ARM0023168	ARM - FEED CRANK	2
16	SHF0023128	FEEDER CRANK SHAFT	1
17	WLK0000750	3/4" LOCKWASHER - PLATED	12
18	SCC0000812	3/4 X 3-1/2 NC HT CAP SCREW	12
19	SHF0023131	FEEDER CRANK SHAFT	1
20	SHF0023203	FEEDER CRANK SHAFT ASSY, INNER	1
21	SHF0023204	FEEDER CRANK SHAFT ASSY, OUTER	2



53

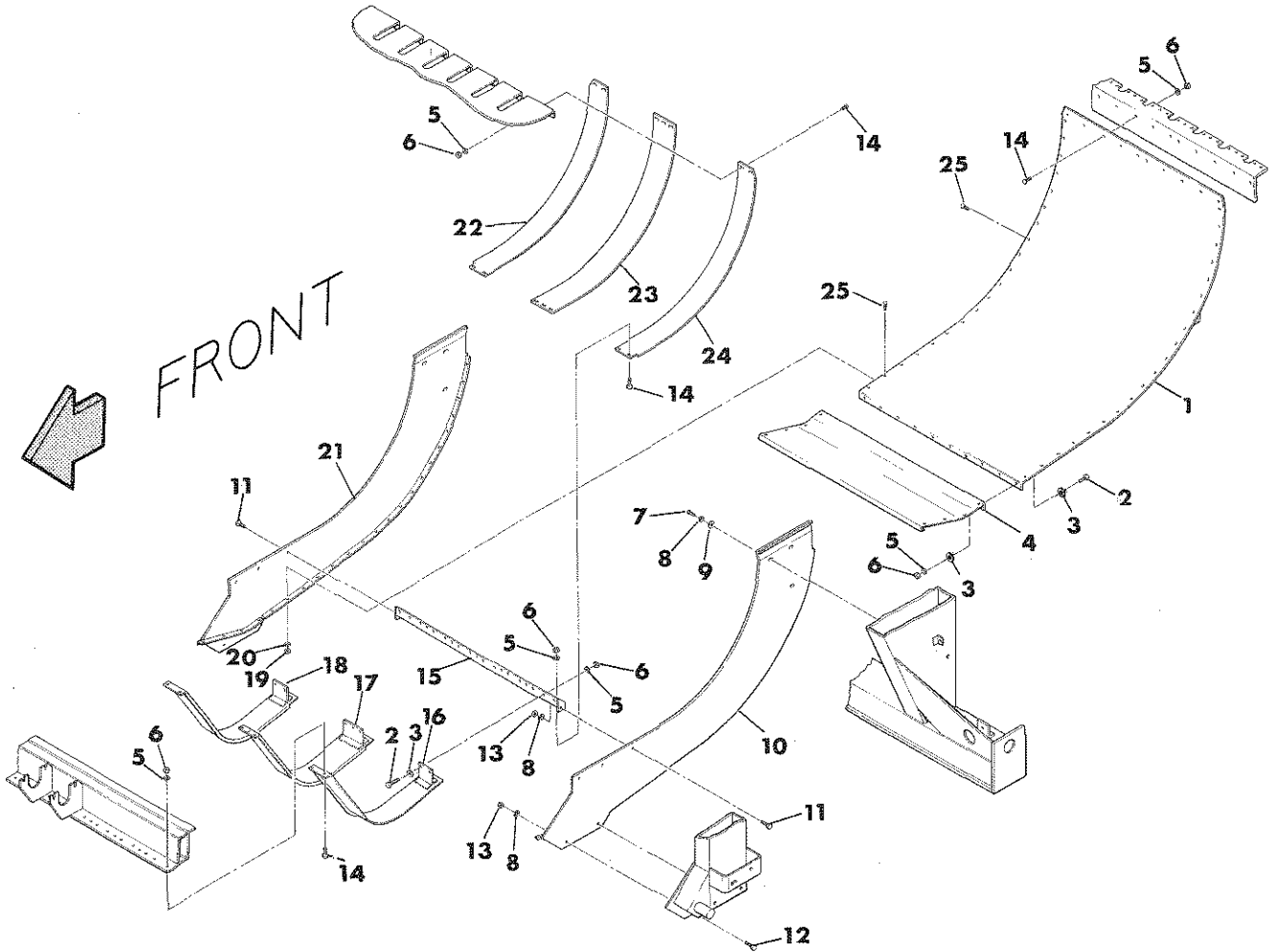
FEED FORK

FRONT

FEED FORK

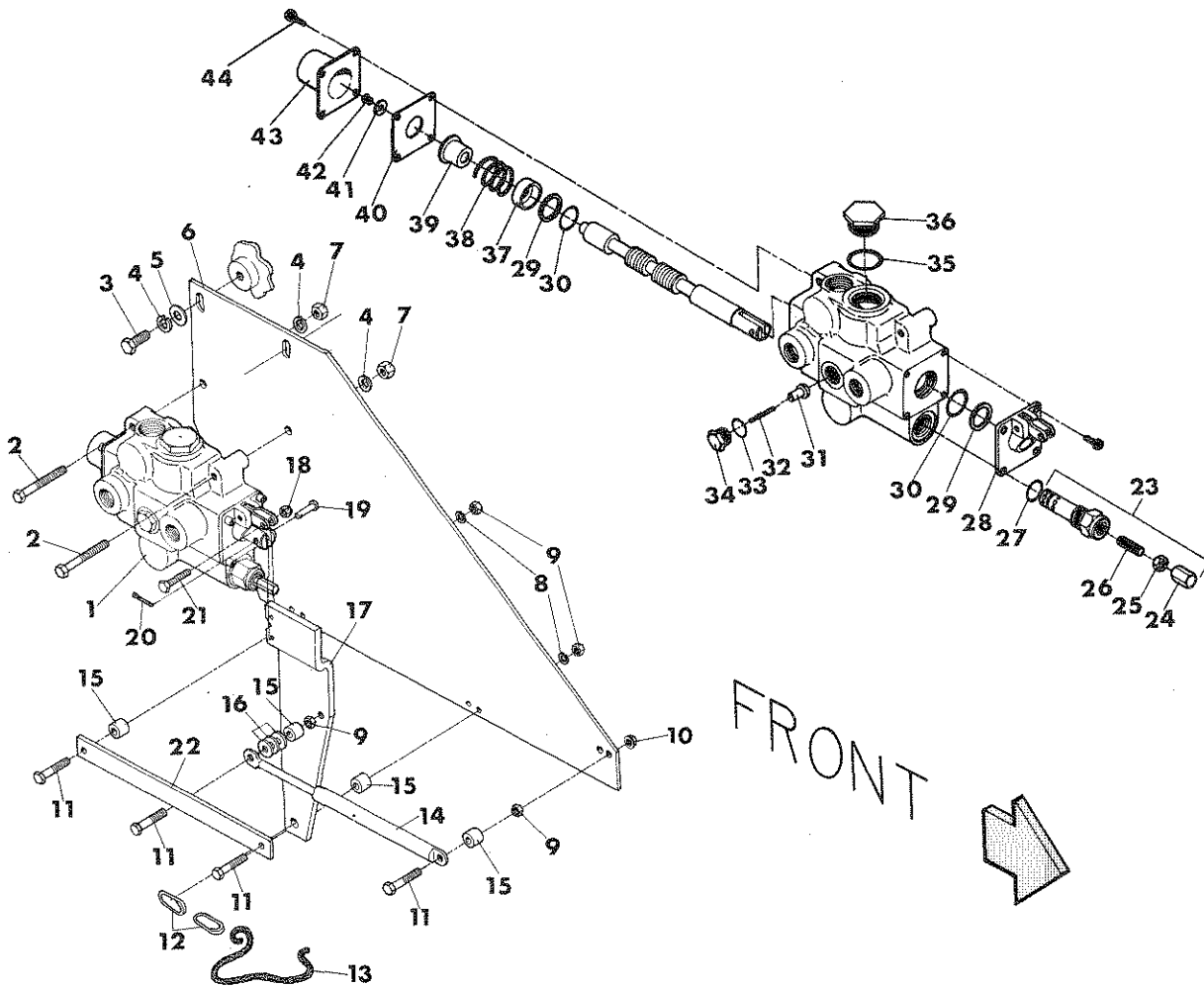
REF NO.	PART NO.	DESCRIPTION	QTY. USED
1	FRK0022625	FEED FORK TINE ASSEMBLY	1
2	SFC0080511	1/2 X 3-1/4 NF GR 8 CAP SCREW	1
3	SCC0050004	1/2 X 1-1/2 NC HT CS - PLATED	2
4	WLK0000500	1/2" LOCKWASHER - PLATED	8
5	CAPO014877	CRANK CAP PLATE	1
6	SHM0172811	2-1/2 X .015 CAP PLATE SHIM	A/R
6	SHM0172812	2-1/2 X .030 CAP PLATE SHIM	A/R
6	SHM0172813	2-1/2 X .060 CAP PLATE SHIM	A/R
7	BSH0016583	FEED FORK FEED ARM BUSHING	1
8	NFH0080500	1/2" NF HEX NUT - GRADE 8	2
9	WAS0020049	RUBBER BUSHING WASHER	2
10	BSH0001026	SHOCK ABSORBER BUSHING	2
11	ZZ 0000100	1/4-28 STR 5/16 HEX ZERK	2
12	SLV0018935	SHOCK BUSHING BOLT SLEEVE	1
13	ARM0021549	L. H. FEED FORK ARM	1
14	BRG001016T	NEEDLE BEARING (SEALED TT)	4
15	ZZ 0001909	1/4-28 ZERK PRESS. RELF #1909	4
16	LNK0021718	FEED FORK LINK BOLT	4
17	LNK0015620	FEED ARM LINK	2
18	WLK0010000	1" LOCKWASHER - PLATED	4
19	NFH0001000	1" NF HEX NUT - PLATED	4
20	NCH0000625	5/8" NC HEX NUT - PLATED	20
21	WLK0000625	5/8" LOCKWASHER - PLATED	20
22	SCC0070013	5/8 X 3-3/4 NC HT CS - PLATED	4
23	BKT0234630	L. H. TWINE GUIDE BRACKET	1
23	BKT0234631	R. H. TWINE GUIDE BRACKET	1
24	ANC0021563	L. H. FEED FORK LINK ANCHOR	1
25	SPC0023264	LINK MOUNT SPACER	4
26	SPC0023265	LINK MOUNT SPACER	8
27	SCC0070012	5/8 X 3-1/2 NC HT CS - PLATED	12
28	SCC0070006	5/8 X 2 NC HT CS - PLATED	4
29	ANC0021558	R. H. FEED FORK LINK ANCHOR	1
30	SCC0080010	3/4 X 3 NC HT CS - PLATED	4
31	SQS5002500	1/2 X 2-1/2 SQUARE HD SCREW	4
32	NGJ0000500	1/2" NC JAM NUT - PLATED	4
33	SCC0000516	1/2 X 5 NC HT CAP SCREW	4
34	MNT0020255	HOSE CLAMP MOUNT CHANNEL	2
35	WLK0000375	3/8" LOCKWASHER - PLATED	2
36	SCC0030001	3/8 X 3/4 NC HT CS - PLATED	2
37	CLP0100150	1-1/2 HYDRA ZORB HOSE CLAMP	2
38	ARM0021679	FEED CRANK ARM	1
39	SQS5001250	1/2 X 1-1/4 SQUARE HD SCREW	1
40	ZZ 0000456	5/8 X 5/8 X 2-1/2 KEY	1
41	NCH0000500	1/2" NC HEX NUT - PLATED	6
42	SCC0050014	1/2 X 4 NC HT CS - PLATED	2
43	SQS5001500	1/2 X 1-1/2 SQUARE HD SCREW	1
44	WCT0000750	3/4" FLATWASHER - PLATED	4
45	WLK0000750	3/4" LOCKWASHER - PLATED	4
46	NCH0000750	3/4" NC HEX NUT - PLATED	4
47	HYD3169010	1/8 SOCKET HD STEEL PIPE PLUG	2
48	BRG0268250	2-11/16 BEARING	2
49	ARM0021547	R. H. FEED FORK ARM	1
50	BSH0014894	FEED FORK SPLIT BUSHING	2
51	SHF0014870	CRANK SHAFT	1
52	ZZ 0000425	5/8 X 5/8 X 2-1/4 KEY	1
53	RET0014893	FEED FORK BEARING RETAINER	2
53	SHM0017952	BRONZE BEARING SHIM .005	A/R
53	SHM0020281	BRONZE BEARING SHIM-.010	A/R

INFEEED CHUTE



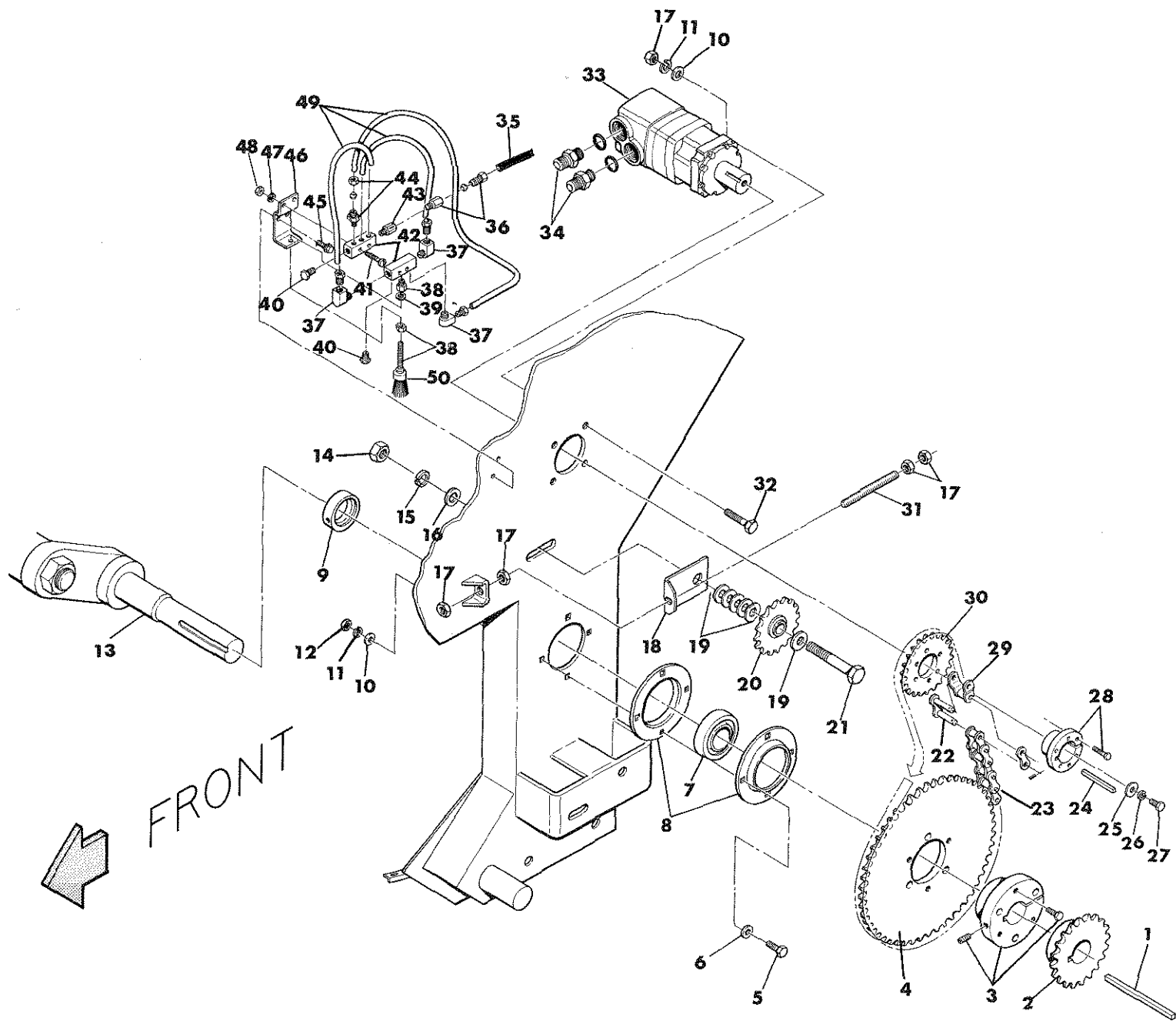
REF NO.	PART NO.	DESCRIPTION	QTY. USED
1	CHU0022765	INFEEED CHUTE REAR PAN ASSEMBLY	1
2	SCC0020002	5/16 X 1 NC HT CS - PLATED	57
3	WCT0000313	5/16" FLATWASHER - PLATED	68
4	CHU0022767	INFEEED CHUTE FRONT PAN	1
5	WLK0000313	5/16" LOCKWASHER - PLATED	96
6	NCH0000313	5/16 NC HEX NUT - PLATED	96
7	SCC0030001	3/8 X 3/4 NC HT CS - PLATED	6
8	WLK0000375	3/8" LOCKWASHER - PLATED	16
9	WCT0000375	3/8" FLATWASHER - PLATED	6
10	CHU0022751	LEFT SIDE PLATE INFEEED CHUTE	1
11	SCC0030003	3/8 X 1-1/4 NC HT CS - PLATED	2
12	SCC0030002	3/8 X 1 NC HT CS - PLATED	8
13	NCH0000375	3/8" NC HEX NUT - PLATED	6
14	CRB3130100	5/16X 1 CARRIAGE BOLT-PLTD	19
15	SUP0022487	FEEDER GUARD SUPPORT	1
16	GRD0224960	L.H. OUTSIDE FEED GUARD	1
17	GRD0022492	CENTER FEEDER GUARD	5
18	GRD0224961	R.H. OUTSIDE FEED GUARD	1
19	NCH0000250	1/4" NC HEX NUT - PLATED	34
20	WLK0000250	1/4" LOCKWASHER - PLATED	34
21	CHU0023348	RIGHT SIDE PLATE INFEEED CHUTE	1
22	GRD0224851	RIGHT OUTSIDE CHUTE GUARD	1
23	GRD0022486	CENTER FEED CHUTE GUARD	5
24	GRD0224850	LEFT OUTSIDE CHUTE GUARD	1
25	CRB2500075	1/4 X 3/4 CARRIAGE BOLT	34

PICKUP AND FEEDER CONTROL VALVE



REF NO.	PART NO.	DESCRIPTION	QTY. USED	REF NO.	PART NO.	DESCRIPTION	QTY. USED
1	VLV0512542	VALVE RD-RD-512-EA-5A-4B2	1	24	CAP6718008	CAP NUT	1
2	SCC0030006	3/8 X 2 NC HT CS - PLATED	3	25	NCJ2201304	JAM NUT	1
3	SCC0030001	3/8 X 3/4 NC HT CS - PLATED	2	26	STS2200709	SET SCREW	1
4	WLK0000375	3/8" LOCKWASHER - PLATED	3	27	RNG2400116	O-RING	1
5	WCT0000375	3/8" FLATWASHER - PLATED	2	28	PLT6603501	RETAINING PLATE	1
6	PLT0020089	FEEDER VALVE MOUNT PLATE	1	29	RNG6705010	O-RING, BACKUP	2
7	NCH0000375	3/8" NC HEX NUT - PLATED	3	30	RNG2400213	O-RING	2
8	WLK0000250	1/4" LOCKWASHER - PLATED	2	31	VLV6701001	POPPET	1
9	NCH0000250	1/4" NC HEX NUT - PLATED	4	32	SPG6703007	SPRING	1
10	NMS0000250	1/4" NC WHIZ NUT - PLATED	1	33	RNG2400908	O-RING	1
11	SCC0010003	1/4 X 1-1/4 NC HT CS - PLATED	4	34	PLU6716001	CHECK PLUG	1
12	LNK5800124	3/16 X 1 REPAIR LINK CAMPBELL	2	35	RNG2400916	O-RING	1
13	RPE0000025	FEEDER VALVE PULL ROPE	1	36	PLU6716014	PLUG	1
14	SPG0030171	GAS SPRING 161168105A64B64120N	1	37	COL6714001	SPOOL COLLAR	1
15	F 0004068	BUSHING	4	38	SPG6703001	SPOOL SPRING	1
16	WCT0000250	1/4" FLATWASHER - PLATED	3	39	COL6714011	STOP COLLAR	1
17	HAN0020090	FEEDER VALVE HANDLE	1	40	PLT6705003	RETAINING PLATE	1
18	NCE0000250	1/4" NC ESNA NUT - PLATED	1	41	WCT6705004	WASHER	1
19	06-130	1/4" X 1-1/4" CLEVIS PIN	1	42	SBH2200951	BUTTON HEAD SCREW	1
20	COT0000101	1/16 X 3/4 COTTER PIN	1	43	CAP6705005	END CAP	1
21	SCC0010002	1/4 X 1 NC HT CS - PLATED	1	44	SC01703017	SCREW, FLAT HD. SOCKET	8
22	GUD0020091	VALVE HANDLE GUIDE	1		SEL6605511	SEAL KIT, VLV0512542	1
23	VLV6602502	HIGH PRESSURE RELIEF CARTRIDGE	1				

FEEDER AND PICKUP DRIVE

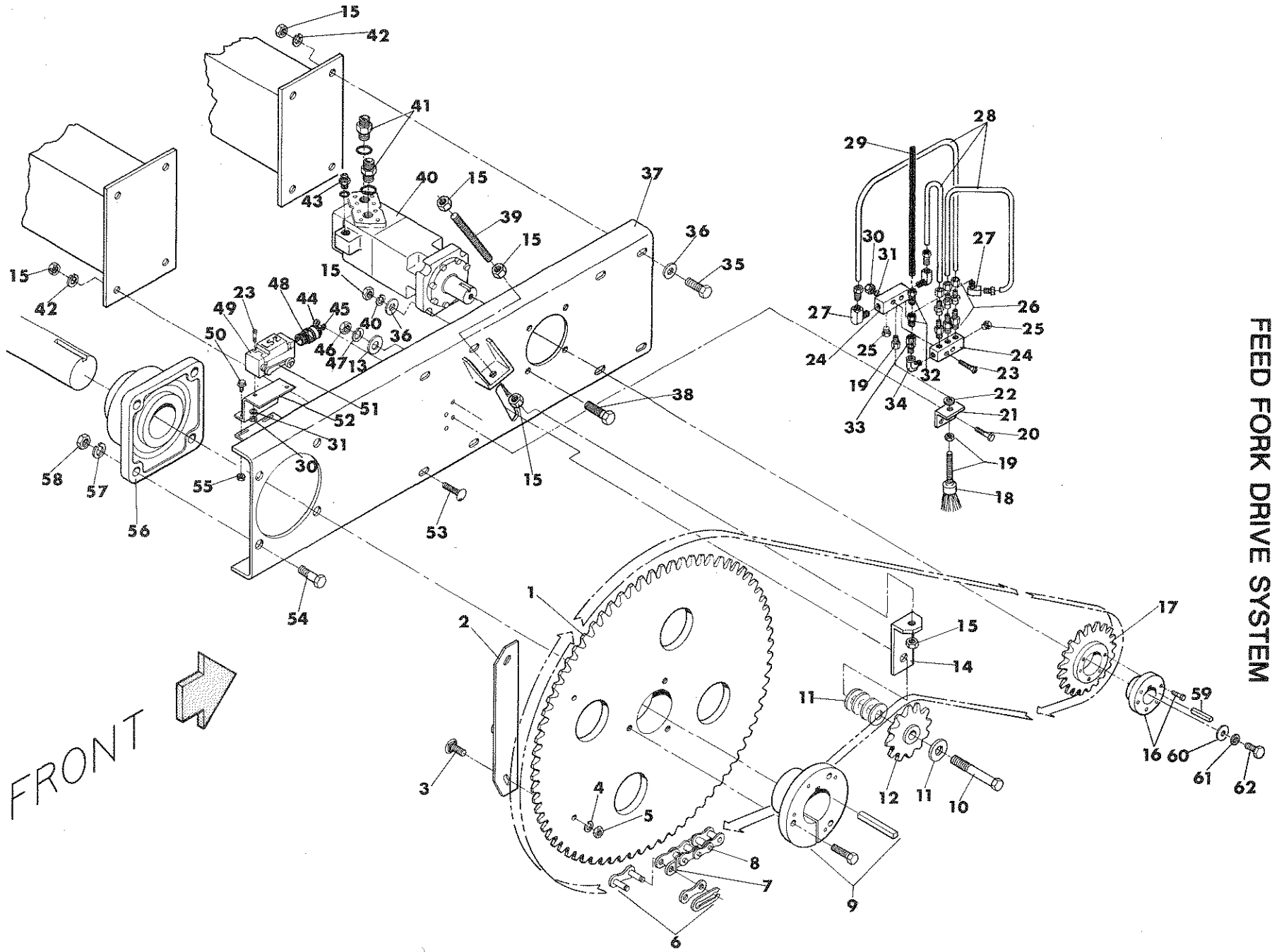
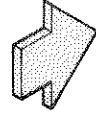


FEEDER AND PICKUP DRIVE

REF NO.	PART NO.	DESCRIPTION	QTY. USED
1	ZZ 0000458	1/2 X 1/2 X 4-1/2 KEY	1
2	SPK0602202	SPROCKET, 60B22 2" FIN. BORE	1
3	BSH0020000	QD-SF 2" BUSHING	1
4	SPK0080360	SPROCKET 80SF36	1
5	SFC0080504	1/2 X 1-1/2 NF GR 8 CAP SCREW	4
6	WAS0000104	1/2 STRUCTURAL WASHER	4
7	BRG0002000	CRANK BEARING	1
8	BRG0002001	BEARING STAMPING F/BRG2000	2
9	BRG0002002	ECCENTRIC COLLAR F/BRG 2000	1
10	WCT0000500	1/2" FLATWASHER - PLATED	4
11	WLK0000500	1/2" LOCKWASHER - PLATED	8
12	NFH0080500	1/2" NF HEX NUT - GRADE 8	4
13	SHF0023127	FEEDER CRANK SHAFT ASSEMBLY	1
14	NCH0000750	3/4" NC HEX NUT - PLATED	1
15	WLK0000750	3/4" LOCKWASHER - PLATED	1
16	WCT0000750	3/4" FLATWASHER - PLATED	1
17	NCH0000500	1/2" NC HEX NUT - PLATED	8
18	BKT0020148	#80 CHAIN TIGHTENER BRACKET	1
19	WAS0000139	3/4 SAE FLATWASHER	6
20	SPK128012S	IDLER SPOCKET - 012-8012S	1
21	SCC0080014	3/4 X 4 NC HT CS - PLATED	1
22	CNK0000801	CONNECTING LINK - RC80	1
23	CHN0008064	CHAIN - #80 X 64 PITCH	1
24	ZZ 0000432	5/16 X 5/16 X 1-5/8 KEY	1
25	WCT0000375	3/8" FLATWASHER - PLATED	1
26	WLK0000375	3/8" LOCKWASHER - PLATED	1
27	SCC0030001	3/8 X 3/4 NC HT CS - PLATED	1
28	BSH0101251	BUSHING QD SK 1-1/4 W/5/16 KWY	1
29	OFL0000102	OFFSET LINK #80 CHAIN	1
30	SPK0080190	SPROCKET - 80SK19H	1
31	ROD0017217	NEELDE YOKE DRIVE	1
32	SCC0050007	1/2 X 2-1/4 NC HT CS - PLATED	4
33	MTR1091104	HYDRAULIC MOTOR	1
34	HYD5315060	3/4JIC X 3/4 O-RNG ST THD CONN	2
35	TBE0002509	TUBING TO CHAIN-1/4" NYLON	1
36	CNR0066415	STRAIGHT TUBE CONNECTORS	1
37	ELB0066414	ELBOW	3
38	DPT0009540	BRUSH ADAPTER	1
39	WCT0000313	5/16" FLATWASHER - PLATED	1
40	HYD3159010	1/8 HEX HEAD STEEL PIPE PLUG	2
41	SMR1032100	10-32X1 RH MACH SCREW-PLT	2
42	LUB0017303	LUB VALVE MANIFOLD BLOCK	2
43	VLV5093551	10 PSI LUBER CHECK VALVE	1
44	VLV4640205	LUBRICATION FITTING	3
45	SMS0000171	1/4 X 5/8 NC WHIZ BOLT-PLATED	2
46	MNT0021755	FEED LUBER BRUSH MOUNT	1
47	WLK0000100	#10 LOCKWASHER - PLATED	2
48	NFH0001032	10-32 NF HEX NUT - PLATED	2
49	NYL0000125	1/8" NYLAFLOW TUBING - TYPE H	3
50	BRU0009551	1" RND NYLON CHAIN BRUSH	1

59

FRONT

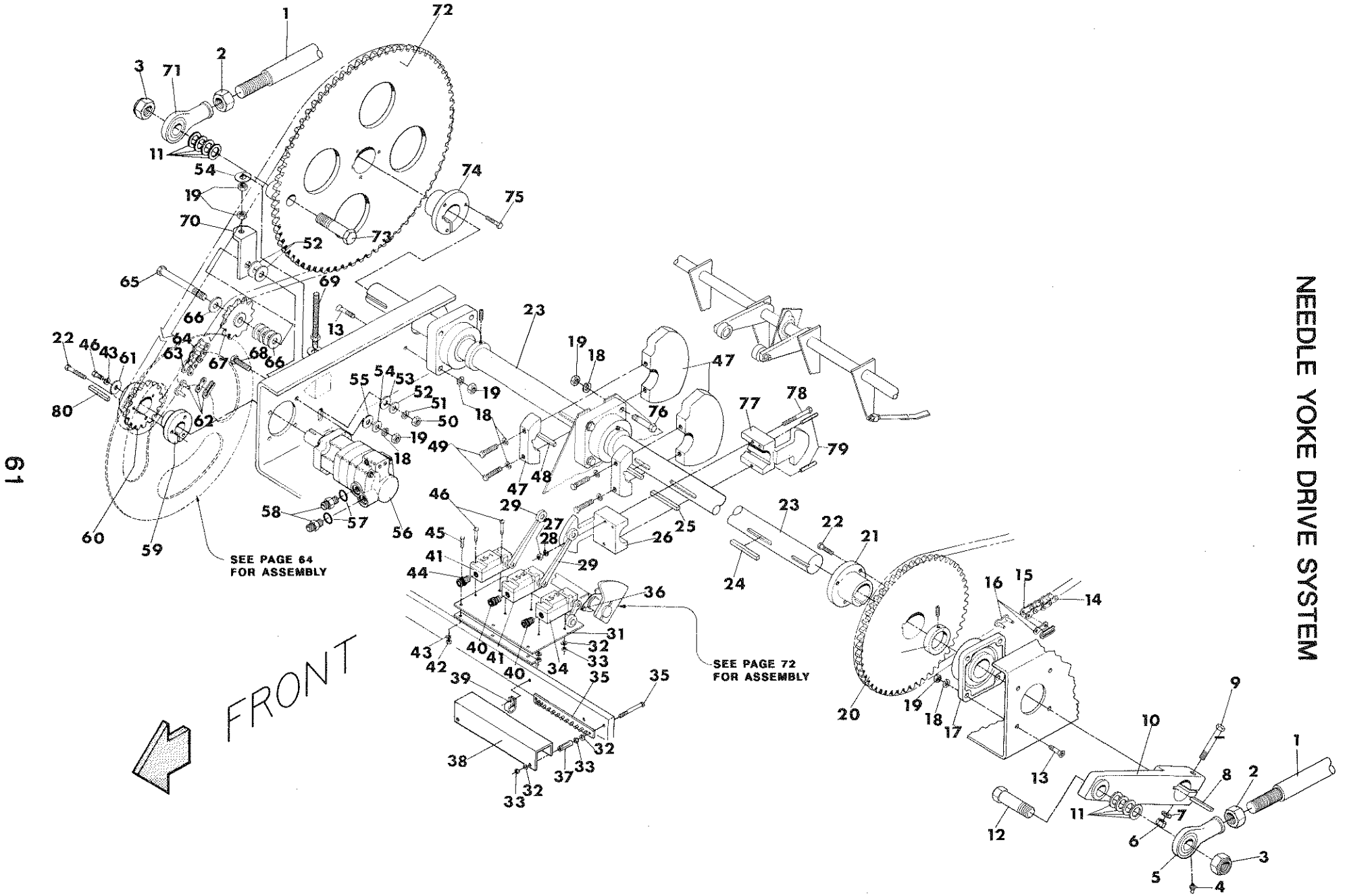


FEED FORK DRIVE SYSTEM

FEED FORK DRIVE SYSTEM

REF NO.	PART NO.	DESCRIPTION	QTY. USED
1	SPK0015701	80E72 FEED FORK DRIVEN SPKT.	1
2	CAM0013897	FEEDER SWITCH CAM	1
3	CRB3131000	5/16X 1 CARRIAGE BOLT	2
4	WLK0000313	5/16" LOCKWASHER - PLATED	2
5	NCH0000313	5/16 NC HEX NUT - PLATED	2
6	CNK0000801	CONNECTING LINK - RC80 IMPORT	1
7	OFLO000102	#80 IMPORTED OFFSET LINKS	1
8	CHN0080100	2ND FDR DRV CHN-#80 X 100PITCH	1
9	BSH0026875	BSH SPECIAL QDE 2-11/16 5/8KWY	1
10	SCC0080014	3/4 X 4 NC HT CS - PLATED	1
11	WAS0000139	3/4 SAE FLATWASHER	5
12	SPK128012S	IDLER SPOCKET - 012-8012S	1
13	WCT0000750	3/4" FLATWASHER - PLATED	1
14	BKT0020148	#80 CHAIN TIGHTENER BRACKET	1
15	NCH0000500	1/2" NC HEX NUT - PLATED	16
16	BSH0101502	QDSF X 1-1/2 BUSHING	1
17	SPK0080210	SPROCKET-80SF21H	1
18	BRU0009551	1" RND NYLON CHAIN BRUSH	1
19	DPT0009540	BRUSH ADAPTER-GITS	1
20	SCC0010002	1/4 X 1 NC HT CS - PLATED	2
21	MNT0015754	CHAIN LUBER BRUSH MOUNT	1
22	FT 0000538	5/16 COPPER SEALING WASHER	1
23	SMR1032150	10-32X1-1/2 RH MACH SCREW-PLT	4
24	LUB0017303	LUB VALVE MANIFOLD BLOCK	2
25	HYD3159010	1/8 HEX HEAD STEEL PIPE PLUG	2
26	VLV4640205	LUBRICATION FITTING	3
27	ELB0066414	ELBOW	3
28	NYL0000125	1/8" NYLAFLOW TUBING - TYPE H	3
29	TBEG002509	TUBING TO CHAIN-1/4" NYLON	1
30	NFH0001032	10-32 NF HEX NUT - PLATED	4
31	WLK0000100	#10 LOCKWASHER - PLATED	4
32	CNRO066415	STRAIGHT TUBE CONNECTORS	1
33	VLV5093551	10 PSI LUBER CHECK VALVE	1
34	HYD3409010	1/8 X 90* STEEL STREET ELBOW	1
35	SCC0050005	1/2 X 1-3/4 NC HT CS - PLATED	4
36	WCT0000500	1/2" FLATWASHER - PLATED	8
37	MNT0018946	CHAR LYNN 6000 MOTOR MNT	1
38	SCC0050007	1/2 X 2-1/4 NC HT CS - PLATED	4
39	ROD0015719	CHAIN TIGHTENER ADJUSTMENT ROD	1
40	MTR1121067	MOTOR-112-1067-6000HP-23.9 CID	1
41	HYD5315067	3/4JIC X 1" O-RNG ST THD CONN	2
42	WLK0000500	1/2" LOCKWASHER - PLATED	12
43	F 0006684	1/4JIC X 1/4 O-RNG ST THD CONN	1
44	NCH0000250	1/4" NC HEX NUT - PLATED	2
45	WLK0000250	1/4" LOCKWASHER - PLATED	2
46	NCH0000750	3/4" NC HEX NUT - PLATED	1
47	WLK0000750	3/4" LOCKWASHER - PLATED	1
48	CNRO000193	1/2" STRAIN RELIEF CONNECTOR	1
49	SWI0005079	LIMIT SWITCH-4 POST	1
50	SMS0000307	1/4 X 3/4 NC WHIZ BOLT	2
51	ARMO005084	3" LEVER ARM W/3/4" ROLLER	1
52	BKT0017448	2ND FEED SWITCH BKT	1
53	CRB7500175	1/2 X 1-3/4 GR 5 CARR BOLT-PLT	4
54	SCC0070006	5/8 X 2 NC HT CS - PLATED	4
55	NMS0000250	1/4" NC WHIZ NUT - PLATED	2
56	BRG0268750	2-11/16 FLANGE BEARING	1
57	WLK0000625	5/8" LOCKWASHER - PLATED	4
58	NCH0000625	5/8" NC HEX NUT - PLATED	4
59	ZZ 0000431	3/8 X 3/8 X 1-1/2 KEY	1
60	WCT0000375	3/8" FLATWASHER - PLATED	1
61	WLK0000375	3/8" LOCKWASHER - PLATED	1
62	SCC0030001	3/8 X 3/4 NC HT CS - PLATED	1

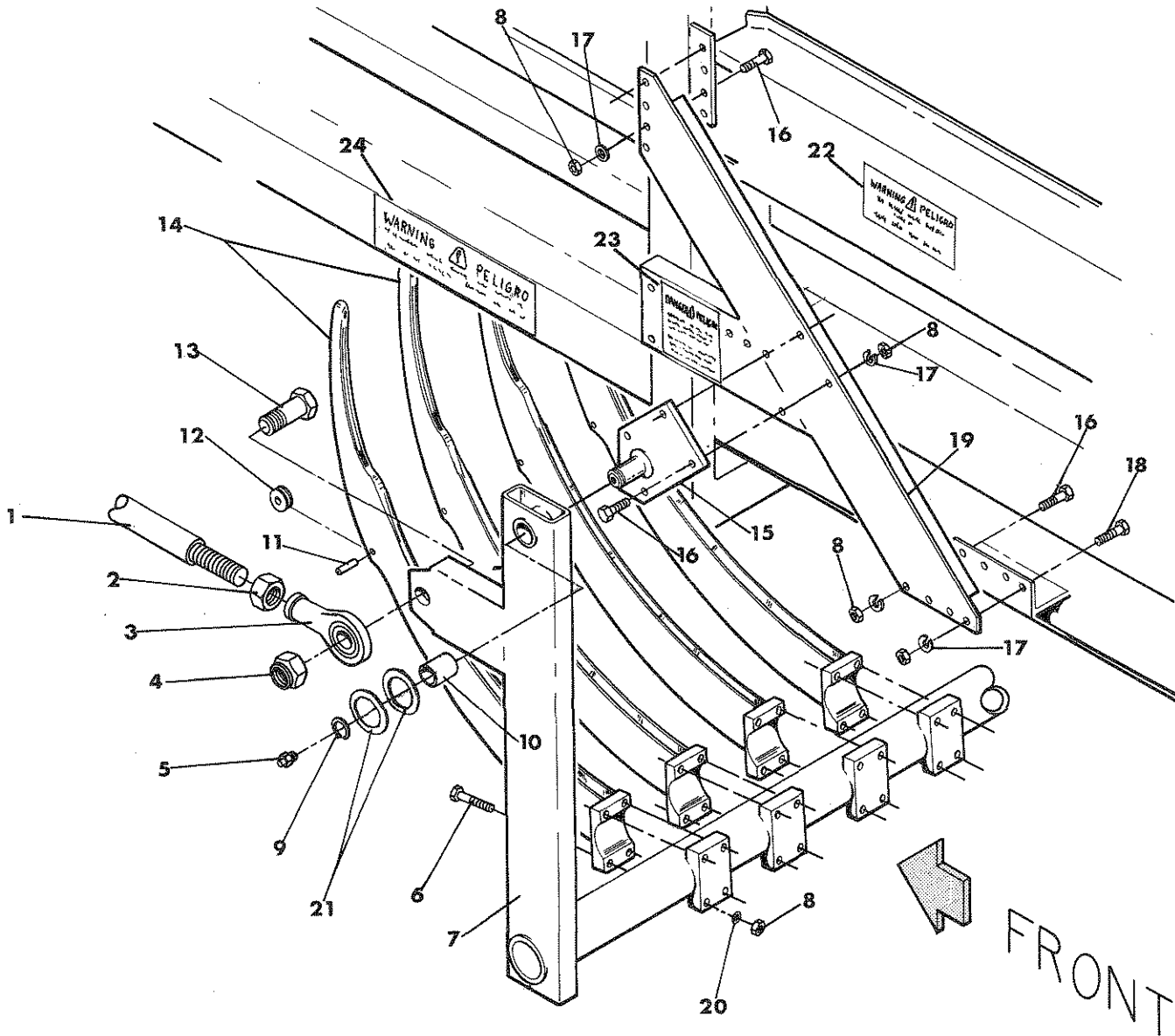
NEEDLE YOKE DRIVE SYSTEM



NEEDLE YOKE DRIVE SYSTEM

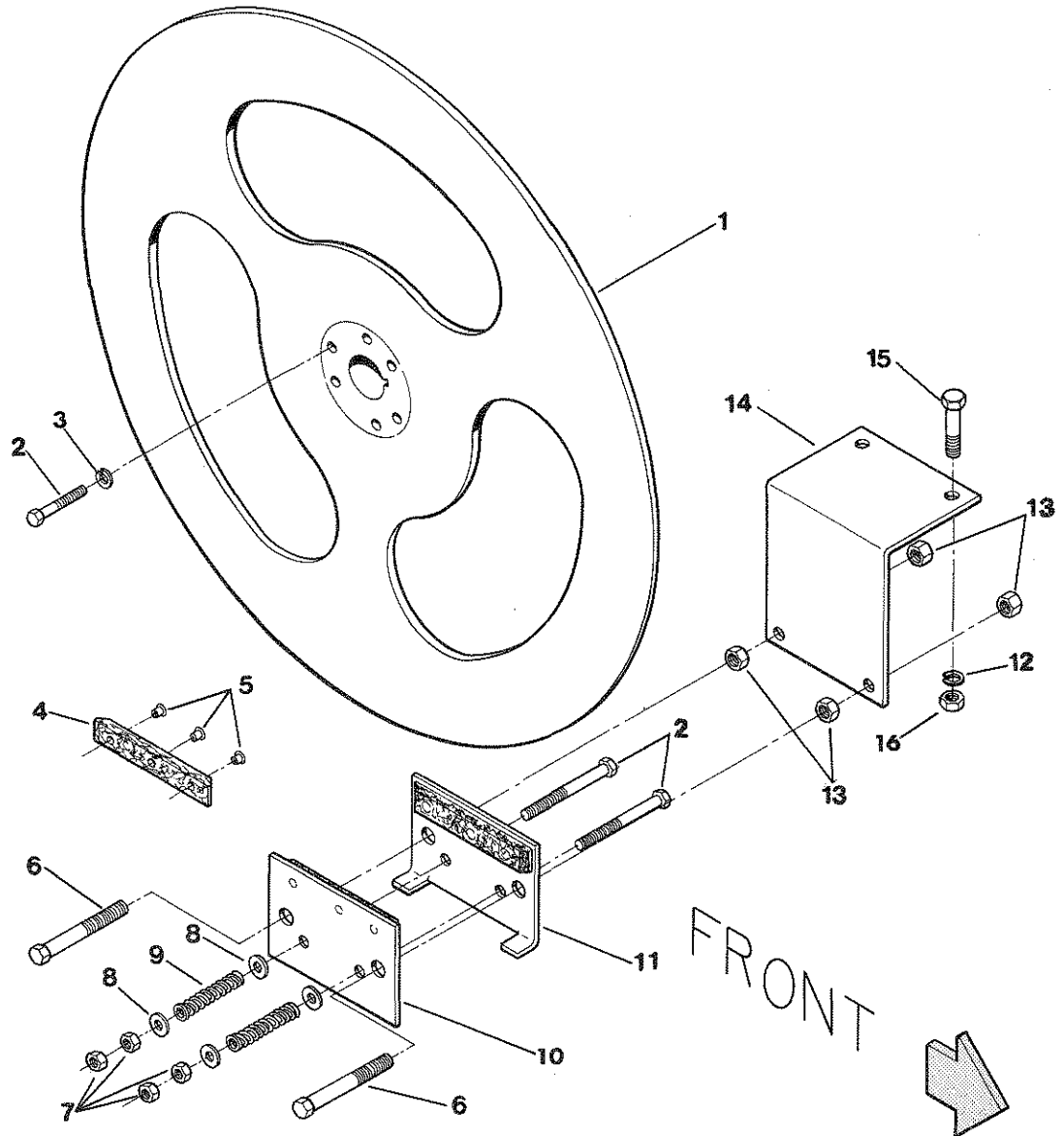
REF NO.	PART NO.	DESCRIPTION	QTY. USED
1	ROD0015503	NEEDLE YOKE DRIVE ROD	2
2	NFLO012500	1-1/4" NF LH HEX NUT	2
3	NFE0001000	1" NF ESNA NUT - PLATED	2
4	ZZ 0000100	1/4-28 STR 5/16 HEX ZERK	2
5	ROD0001600	L. H. ROD END	2
6	NCH0000625	5/8" NC HEX NUT - PLATED	1
7	WLK0000625	5/8" LOCKWASHER - PLATED	1
8	F 0000225	KNOTTER DRIVE SHAFT KEY-ZZ 424	1
9	SCC0070014	5/8 X 4 NC HT CS - PLATED	1
10	ARMO015342	NEEDLE YOKE DRIVE CRANK ARM	1
11	ZZ 0000209	1 X 2 X 18 GA MACHINE BUSHING	A/R
11	ZZ 0000218	1 X 2 X 10 GA MACHINE BUSHING	A/R
11	ZZ 0000219	1 X 2 X 14 GA MACHINE BUSHING	A/R
12	SFC0001015	1 X 4-1/2 NF HT CAP SCREW	1
13	SC00000505	1/2 X 1-3/4 NC FH SOCKET CS	8
14	CHN0006098	CHAIN, #60 - 98 PITCH	1
15	OFLO000107	OFFSET LINK - 60KCM	1
16	CNK0000110	CONNECTING LINK KCM	1
17	BRG0193750	1-15/16" 4-BOLT FLANGE BEARING	3
18	WLK0000500	1/2" LOCKWASHER - PLATED	16
19	NCH0000500	1/2" NC HEX NUT - PLATED	19
20	SPK0006056	SPROCKET	1
21	BSH0119375	Q1 X 1-15/16 BUSHING	1
22	SCC0020003	5/16 X 1-1/4 NC HT CS - PLATED	2
23	SHF0022555	NEEDLE YOKE DRIVE SHAFT	1
24	ZZ 0000457	1/2 X 1/2 X 2-3/4 KEY	1
25	ZZ 0000426	1/2 X 1/2 X 3-1/4 KEY	1
26	CAM1610500	KNOTTER STOP CAM	1
27	NCH0000313	5/16" NC HEX NUT - PLATED	2
28	WLK0000313	5/16" LOCKWASHER - PLATED	2
29	ARMO005084	3" LEVER ARM W/3/4" ROLLER	2
30	ARMO005001	1-1/2" LEVER ARM W/3/4" ROLLER	1
31	MNT0015848	KNOTTER SWITCH MOUNT	1
32	WLK0000100	#10 LOCKWASHER - PLATED	10
33	NFH0001032	10-32 NF HEX NUT - PLATED	8
34	SWI0005079	LIMIT SWITCH-4 POST	1
35	03-162	12-POST TERMINAL BLOCK	1
36	SMR1320300	10-32X3 RH MACH SCREW-PLT	2
37	11-262	1" SPACE F/JUNC BLOCK	2
38	SHD0021538	12 POST JUNCTION BLOCK SHIELD	1
39	CLP7701160	3/4 INSULATED HOSE CLAMP	1
40	CNR0000193	1/2" STRAIN RELIEF CONNECTOR	2
41	SWI0005081	LIMIT SWITCH-8 POST	2
42	NCH0000375	3/8" NC HEX NUT - PLATED	3
43	WLK0000375	3/8" LOCKWASHER - PLATED	6
44	CNR0000195	CONNECTOR	1
45	SCC0030001	3/8 X 3/4 NC HT CS - PLATED	2
46	SMR1032150	10-32X1-1/2 RH MACH SCREW-PLT	6
47	CAM0023276	TWINE FINGER DRIVE CAM	2
48	ZZ 0000451	1/2 X 1/2 X 1-1/2 KEY	1
49	SCC0030008	3/8 X 2-1/2 NC HT CS - PLATED	4
50	NCH0000750	3/4" NC HEX NUT - PLATED	1
51	WLK0000750	3/4" LOCKWASHER - PLATED	1
52	WCT0000750	3/4" FLATWASHER - PLATED	3
53	WAS0000118	3/4 STRUCTURAL WASHER	1
54	WCT0000500	1/2" FLATWASHER - PLATED	10
55	WAS0000104	1/2 STRUCTURAL WASHER	1
56	MTR1091105	MOTOR - 109-1105-4000 HP19 CID	1
57	RNG0003912	O-RING V894-90 VITON 90 DURO	2
58	HYD5315060	3/4JIC X 3/4 O-RNG ST THD CONN	2
59	BSH0010125	QSDS 1-1/4 5/16KW SPECIAL BSH	1
60	SPK0080140	SPROCKET 80SDS14H	1
61	WCT0000375	3/8" FLATWASHER - PLATED	2
62	CNK0000800	CONNECTING LINK - #80	1
63	OFLO000102	#80 IMPORTED OFFSET LINKS	2
64	CHN0008090	CHAIN - #80 X 90 PITCH	1
65	SCC0080014	3/4 X 4 NC HT CS - PLATED	1
66	WAS0000139	3/4 SAE FLATWASHER	5
67	SPK128012S	IDLER SPOCKET - 012-8012S	1
68	SCC0050006	1/2 X 2 NC HT CS - PLATED	4
69	ROD0015719	CHAIN TIGHTENER ADJUSTMENT ROD	1
70	BKT0020148	#80 CHAIN TIGHTENER BRACKET	1
71	ROD0000160	R. H. ROD END	1
72	SPK0015698	DRIVE SPKT NEEDLE YOKE	1
73	SFC0001017	1 X 5-1/2 NF HT CAP SCREW	1
74	BSH0193750	QDE X 1-15/16 SPECIAL BUSHING	1
75	SCC0050009	1/2 X 2-3/4 NC HT CS - PLATED	3
76	SCC0050006	1/2 X 2 NC HT CS - PLATED	4
77	CAM1610501	PLUNGER START KNOTTER CAM	1
78	SCC0020012	5/16 X 3-1/4 NC HT CS - PLATED	2
79	ZZ 0000704	1/4 X 1-1/2 ROLL PIN	2
80	ZZ 0000432	5/16 X 5/16 X 1-5/8 KEY	1

NEEDLES AND NEEDLE YOKE



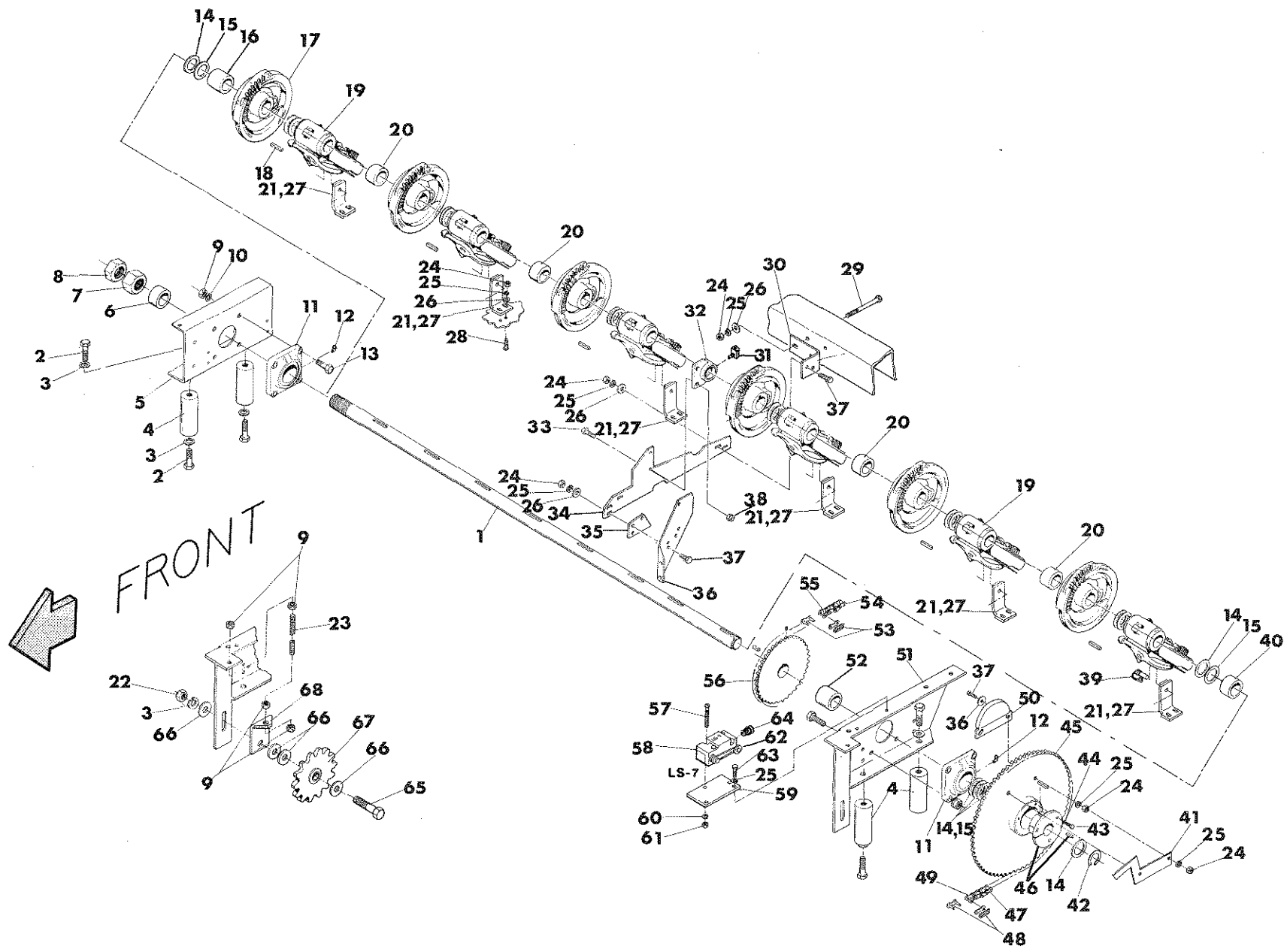
REF NO.	PART NO.	DESCRIPTION	QTY. USED	REF NO.	PART NO.	DESCRIPTION	QTY. USED
1	ROD0015503	NEEDLE YOKE DRIVE ROD	2	16	SCC0050004	1/2 X 1-1/2 NC HT CS - PLATED	28
2	NFJ0012500	1-1/4" NF JAM NUT	2	17	WLK0000500	1/2" LOCKWASHER - PLATED	24
3	ROD0000160	R. H. ROD END	2	18	SCC0050005	1/2 X 1-3/4 NC HT CS - PLATED	2
4	NFE0001000	1" NF ESNA NUT - PLATED	2	19	SUP1483300	L.H. NEEDLE YOKE PIVOT SUPPORT	1
5	ZZ 0000100	1/4-28 STR 5/16 HEX ZERK	2	19	SUP1483301	R.H. NEEDLE YOKE PIVOT SUPPORT	1
6	SCC0050016	1/2 X 5 NC HT CS - PLATED	24	20	WIS0005000	1/2 INTERNAL STAR WASHER-PLT	24
7	YOK0022475	NEEDLE YOKE	1	21	SHM0000102	1-3/8X1-7/8X.010 STEEL SHIM	2
8	NCH0000500	1/2" NC HEX NUT - PLATED	52	21	SHM0000103	1-3/8X1-7/8X.015 STEEL SHIM	2
9	F 0007988	SNAP RING F/KNOTTER SHAFT	2	22	FD 0023538	DECAL "WARNING!DO NOT RIDE ON"	2
10	F 0004137	1-1/2 X 1-3/8 X 2 BUSHING	2	22	FD 000060E	DECAL - EUROPEAN VERSION	2
11	ZZ 0000723	3/16 X 3/4 ROLL PIN	2	23	FD 0023571	DECAL "DANGER!SERIOUS INJURY."	2
12	ROLO022066	ROLLER F/TWINE NEEDLE	6	23	FD 000061E	DECAL - EUROPEAN VERSION	2
13	SFC0001015	1 X 4-1/2 NF HT CAP SCREW	2	24	FD 0023582	DECAL "WARNING!KEEP HANDS AWAY"	2
14	NDLO015235	TWINE NEEDLE	6	24	FD 000049E	DECAL - EUROPEAN VERSION	2
15	MNT1656800	L. H. NEEDLE YOKE MOUNT	1				
15	MNT1656801	R. H. NEEDLE YOKE MOUNT	1				

KNOTTER BRAKE ASSEMBLY



REF NO.	PART NO.	DESCRIPTION	QTY. USED
1	KNT0018949	KNOTTER BRAKE DISC	1
2	SCC0000110	1/4 X 3 NC HT CAP SCREW	6
3	WLK0000250	1/4" LOCKWASHER - PLATED	3
4	F 0007454	BRAKE LINING W/RIVETS (PAIR)	2
5	RIV0000106	RIVET F/KNOTTER BRAKE LINING	6
6	SFC0030010	3/8 X 3 NF HT CS - PLATED	2
7	NCH0000250	1/4" NC HEX NUT - PLATED	4
8	WCT0000250	1/4" FLATWASHER - PLATED	4
9	F 0007453	BRAKE PLATE SPRING	2
10	F 0007450	OUTSIDE BRAKE PLATE W/LINING	1
11	F 0007449	INSIDE BRAKE PLATE W/LINING	1
12	WLK0000375	3/8" LOCKWASHER - PLATED	2
13	NFH0000375	3/8" NF HEX NUT - PLATED	4
14	MNT0018954	KNOTTER BRAKE CALIPER MNT	1
15	SCG0030003	3/8 X 1-1/4 NC HT CS - PLATED	2
16	NCH0000375	3/8" NC HEX NUT - PLATED	2

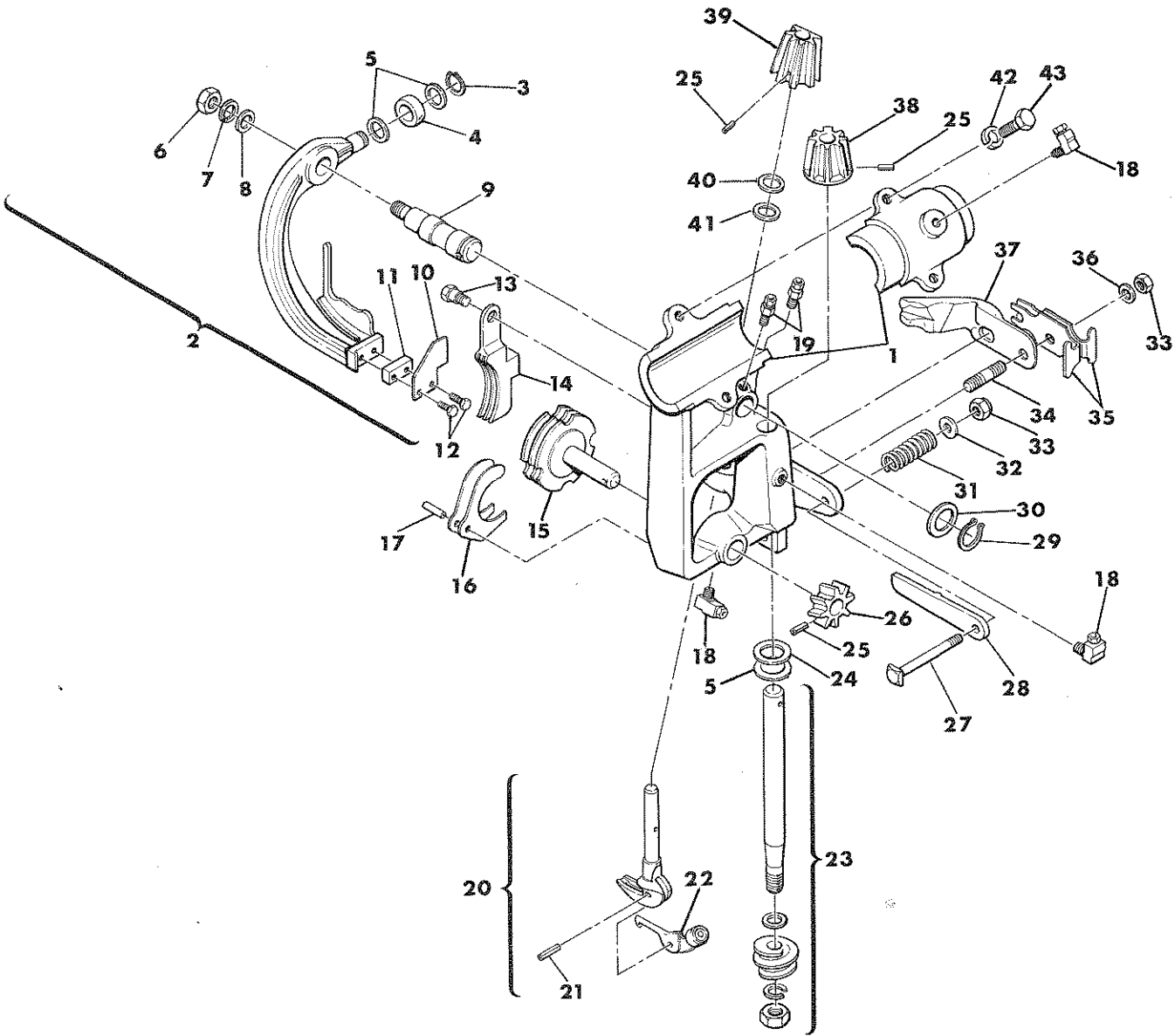
KNOTTER SHAFT ASSEMBLY



KNOTTER SHAFT ASSEMBLY

REF NO.	PART NO.	DESCRIPTION	QTY. USED
1	SHFO022544	KNOTTER SHAFT	1
2	SCCO070004	5/8 X 1-1/2 NC HT CS - PLATED	8
3	WLK0000625	5/8" LOCKWASHER - PLATED	8
4	KNT0015323	KNOTTER BEARING PEDESTAL	4
5	MNT0015325	R. H. KNOTTER MOUNT	1
6	SPCO015400	KNOTTER SHAFT SPACER	1
7	NFH0013750	1-3/8" NF HEX NUT	1
8	NFJ0013750	1-3/8" NF JAM NUT	1
9	NCH0000500	1/2" NC HEX NUT - PLATED	13
10	WLK0000500	1/2" LOCKWASHER - PLATED	9
11	BRGRCJ1375	1-3/8 FLANGE BEARING	2
12	ZZ 0000107	1/8 NPT 45* X 7/16 HEX ZERK	2
13	SCCO050005	1/2 X 1-3/4 NC HT CS - PLATED	8
14	F 0004159	1-3/8 X 10 GA MACHINE BUSHING	A/R
15	F 0004161	1-3/8 X 18 GA MACHINE BUSHING	A/R
16	SPCO022582	KNOTTER SHAFT SPACER	1
17	KNT0006051	CAM GEAR F/NODULAR KNOTTER	6
18	F 0004104	3/8 X 3/8 X 1-1/2 KEY	6
19	KNT0600334	KNOTTER HEAD COMPLETE(NODULAR)	6
20	SPCO022551	KNOTTER SHAFT SPACER	4
21	KNT0024106	KNOTTER ANCHOR - SM 0124+	6
22	NCH0000625	5/8" NC HEX NUT - PLATED	1
23	RODO017218	TAKE-UP ADJUSTMENT ROD	1
24	NCH0000313	5/16 NC HEX NUT - PLATED	22
25	WLK0000313	5/16" LOCKWASHER - PLATED	24
26	WCT0000313	5/16" FLATWASHER - PLATED	20
27	KNT0020956	KNOTTER ANCHOR - THRU SM 0123	6
28	CRB3130125	5/16X 1-1/4 CARRIAGE BOLT-PLTD	10
29	SCCO020018	5/16 X 5 NC HT CS - PLATED	2
30	ANCO020159	KNOT SHAFT BEARING SUP ANCHOR	1
31	F 0008288	90* AUTO LUBER FITTING	1
32	BRGO022548	KNOTTER SHAFT CENTER BRG	1
33	SFC0030002	3/8 X 1 NF HT CS - PLATED	2
34	SUPO023362	KNOTTER SHAFT CENTER BRG SUPT.	1
35	SPCO016001	KNOTTER ANCHOR SPACER	A/R
36	MNT0015373	TWINE FING DRIV CENT BRG MNT	1
37	SCCO020003	5/16 X 1-1/4 NC HT CS - PLATED	6
38	NFX0003750	3/8" NF FLEX-LOCK JAM NUT	2
39	PINO375125	3/8 X 1-1/4 SNAPPER PIN	6
40	SPCO022554	KNOTTER SHAFT SPACER	1
41	KNT0021748	KNOTTER TIMING POINTER	1
42	F 0007988	SNAP RING F/KNOTTER SHAFT	1
43	SCCO030003	3/8 X 1-1/4 NC HT CS - PLATED	3
44	WLK0000375	3/8" LOCKWASHER - PLATED	3
45	SPK0016363	KNOTTER DRIVE SPROCKET	1
46	BSHO113750	Q1 X 1-3/8 BSHING W/3/8 KEYWAY	1
47	CHNO006098	CHAIN, #60 - 98 PITCH	1
48	CNK0000110	CONNECTING LINK KCM	1
49	OFLO000107	OFFSET LINK - 60KCM	1
50	CAM0015809	KNTR SW REVERSE SAFTY CAM	1
51	MNT0015328	L. H. KNOTTER MOUNT ASSY	1
52	SPCO015399	KNOTTER SHAFT SPACER	1
53	FT 0000113	1/2" CONNECTING LINK #41	1
54	FT 0000165	PUMP DRIVE CHAIN-93 PITCH RC41	1
55	FT 0000114	OFFSET LINK FOR #40 CHAIN	1
56	SPK0041401	SPROCKET-1-3/8 BORE 3\8KWY-2SS	1
57	SMR1032150	10-32X1-1/2 RH MACH SCREW-PLT	2
58	SWI0005079	LIMIT SWITCH-4 POST	1
59	MNT0015802	KNTR REVERSE SAFTY SW MNT	1
60	WLK0000100	#10 LOCKWASHER - PLATED	2
61	NFH0001032	10-32 NF HEX NUT - PLATED	2
62	ARM0005084	3" LEVER ARM W/3/4" ROLLER	1
63	SCCO020001	5/16 X 3/4 NC HT CS - PLATED	2
64	CNRO000193	1/2" STRAIN RELIEF CONNECTOR	1
65	SCCO000709	5/8 X 2-3/4 NC HT CAP SCREW	1
66	WCT0000625	5/8" FLATWASHER - PLATED	4
67	SPK011536S	IDLER SPOCKET - 010-6015S	1
68	BKTO020150	KNOTTER CHAIN TIGHTENER BKT	1

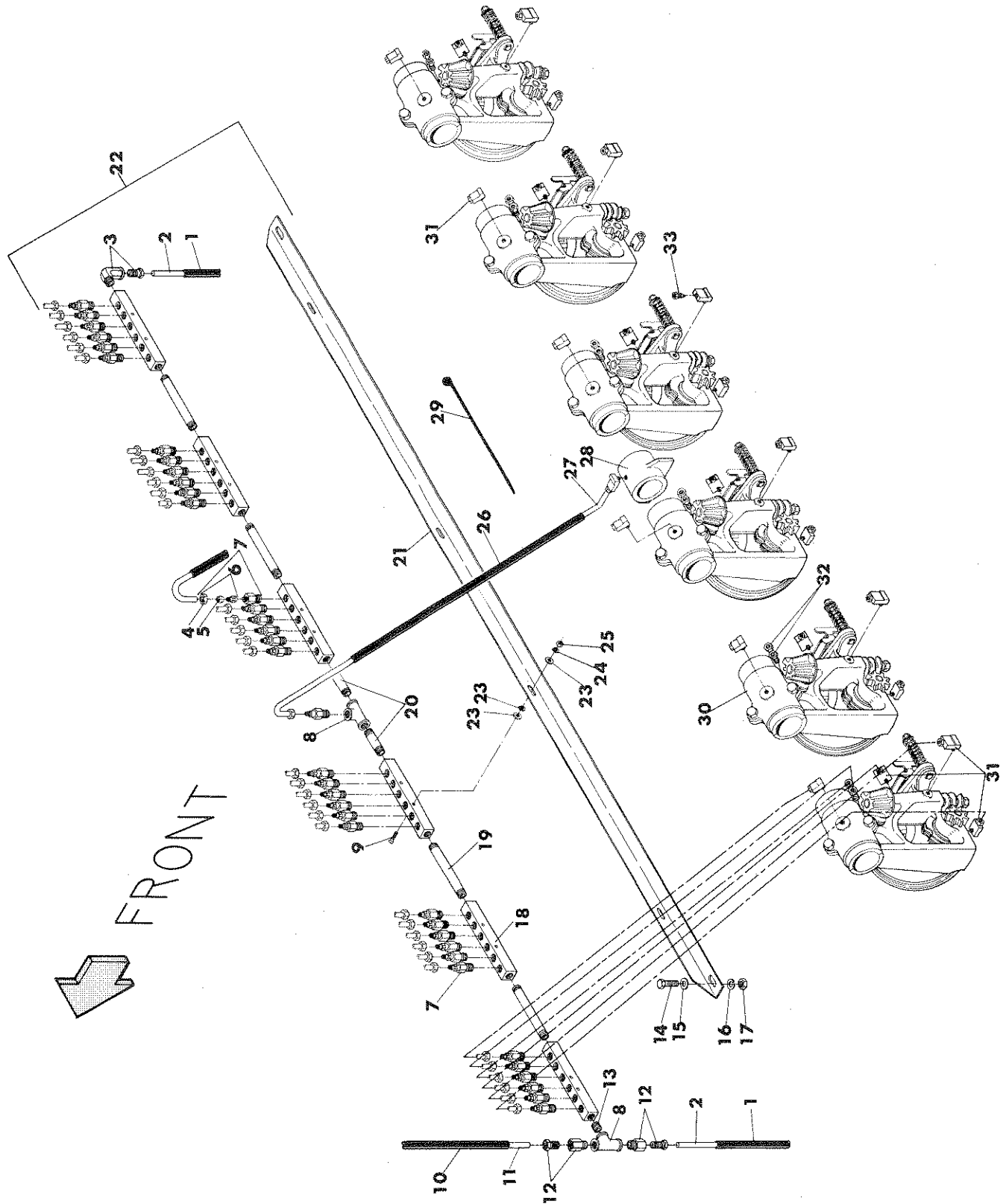
KNOTTER ASSEMBLY



KNOTTER ASSEMBLY

REF NO.	PART NO.	DESCRIPTION	QTY. USED
1	RS 0600330	NODULAR KNOTTER FRAME	1
2	RS 0036923	KNIFE ARM F/NODULAR KNOTTER	1
3	F 0008275	SNAP RING F/KNIFE ARM ROLLER	1
4	F 0008274	ROLLER F/KNIFE ARM	1
5	F 0008280	1 MM WASHER-WORM SHF & KNF ARM	3
6	F 0007893	NUT F/KNIFE ARM PIN	1
7	WLK0000375	3/8" LOCKWASHER - PLATED	1
8	F 0007892	SPACER WASHER F/KNIFE ARM PIN	1
9	F 0007884	KNIFE ARM PIN	1
10	F 0008049	TWINE KNIFE	1
11	SPC0021792	SPACER F/NOD KNT TWINE KNIFE	1
12	SCCM004016	4M X 16M MC HEX HD CS-GR 8.8	2
13	RS 0376900	TWN HOLDER BOLT F/METRIC KNTR	1
14	RS 0378400	TWINE HOLDER F/NODULAR KNOTTER	1
15	RS 0605200	TWINE DISC F/NODULAR KNOTTER	1
16	KNT0006012	TWINE DISC CLEANER	2
17	KNT5321481	ROLL PIN F/TWINE DISC CLEANER	1
18	F 0008288	90* AUTO LUBER FITTING	3
19	F 0008287	STR AUTO LUBER FITTING	2
20	RS 0601503	BILL HOOK F/NODULAR KNOTTER	1
21	RS 5187344	ROLL PIN F/NODULR KNTR TRIGGER	1
22	RS 0003786	BILL HOOK TRIGGER F/NOD KNTR	1
23	F 0007876	KNT WORM & SHAFT (COMPL ONLY)	1
24	RS 0010500	.5MM WASHER-WORM SHF & KNF ARM	A/R
25	RS 5227344	SPIRAL PIN	3
26	F 0007871	TWINE HOLDER DISC PINION	1
27	RS 0060240	SQ HD SCREW F/NODULAR KNOTTER	1
28	RS 0601900	TWN HOLDER LEVER F/NODULAR KNT	1
29	F 0007976	SNAP RING F/KNIFE ARM SHAFT	1
30	F 0007860	KNIFE ARM WASHER 25 X 20 X .5M	3
31	RS 0008230	TWN HOLDER SPRING F/NODULR KNT	1
32	RS 0008401	LOCKWASHER F/TWN HOLDER SPRING	2
33	RS 0008051	7 MM GRIPCO NUT	2
34	F 0007948	KNOT HOOK CAM ADJUSTING SCREW	1
35	F 0007947	KNOTTER HOOK CAM ADJUST SPRING	2
36	WCT0000313	5/16" FLATWASHER - PLATED	1
37	RS 0601110	NODULAR KNOTTER HOOK CAM	1
38	RS 0378210	WORM PINION F/NODULAR KNOTTER	1
39	RS 0378710	BILL HOOK PINION F/NODULAR KNT	1
40	F 0008068	SPACER F/BILL HOOK PIN - .020	A/R
41	F 0008069	SPACER F/BILL HOOK PIN - .035	A/R
42	SCCM108025	8M X 25M MC HEX HD CS PLT 8.8	2
43	WLKM000080	8 MM LOCKWASHER	2

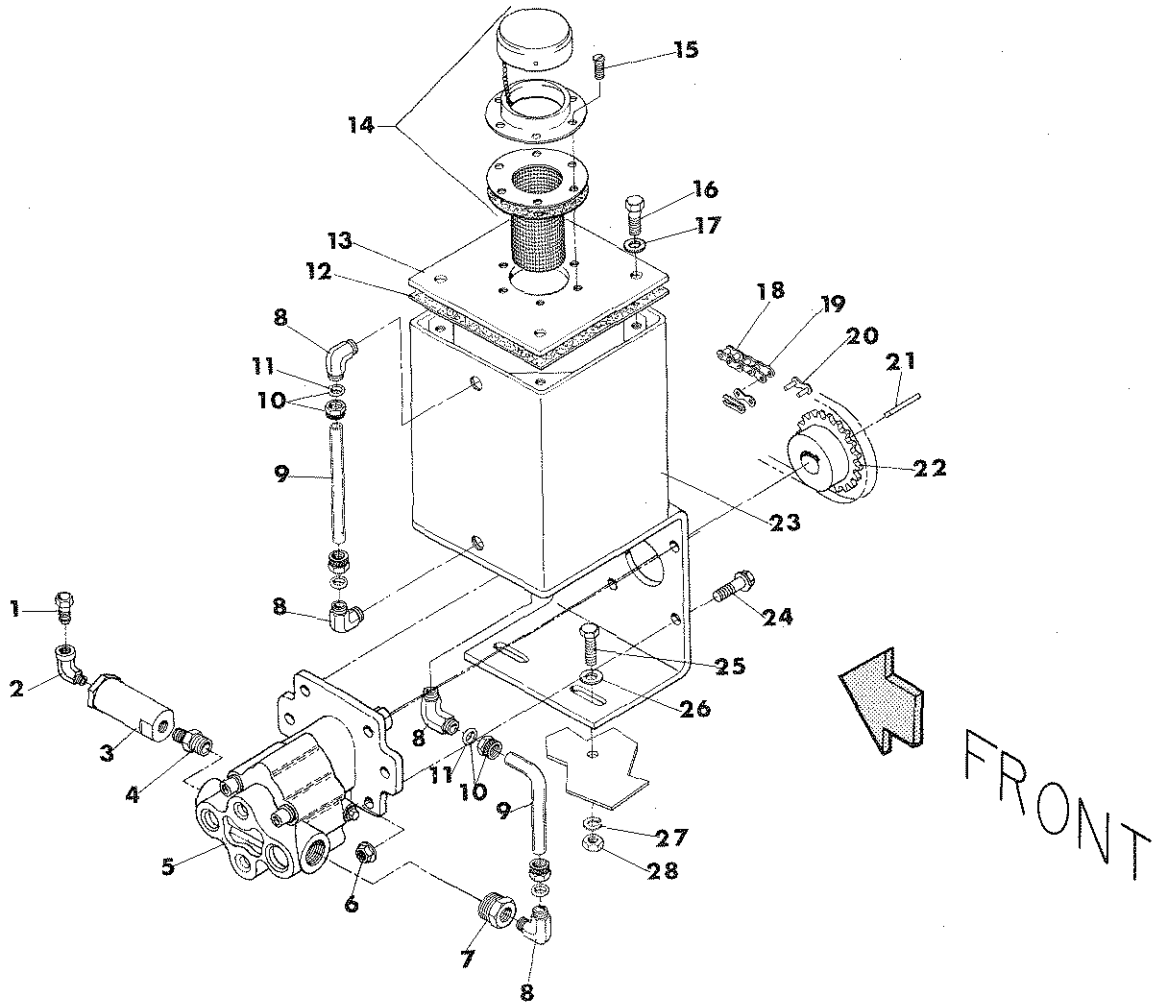
KNOTTER LUBER ASSEMBLY



KNOTTER LUBER ASSEMBLY

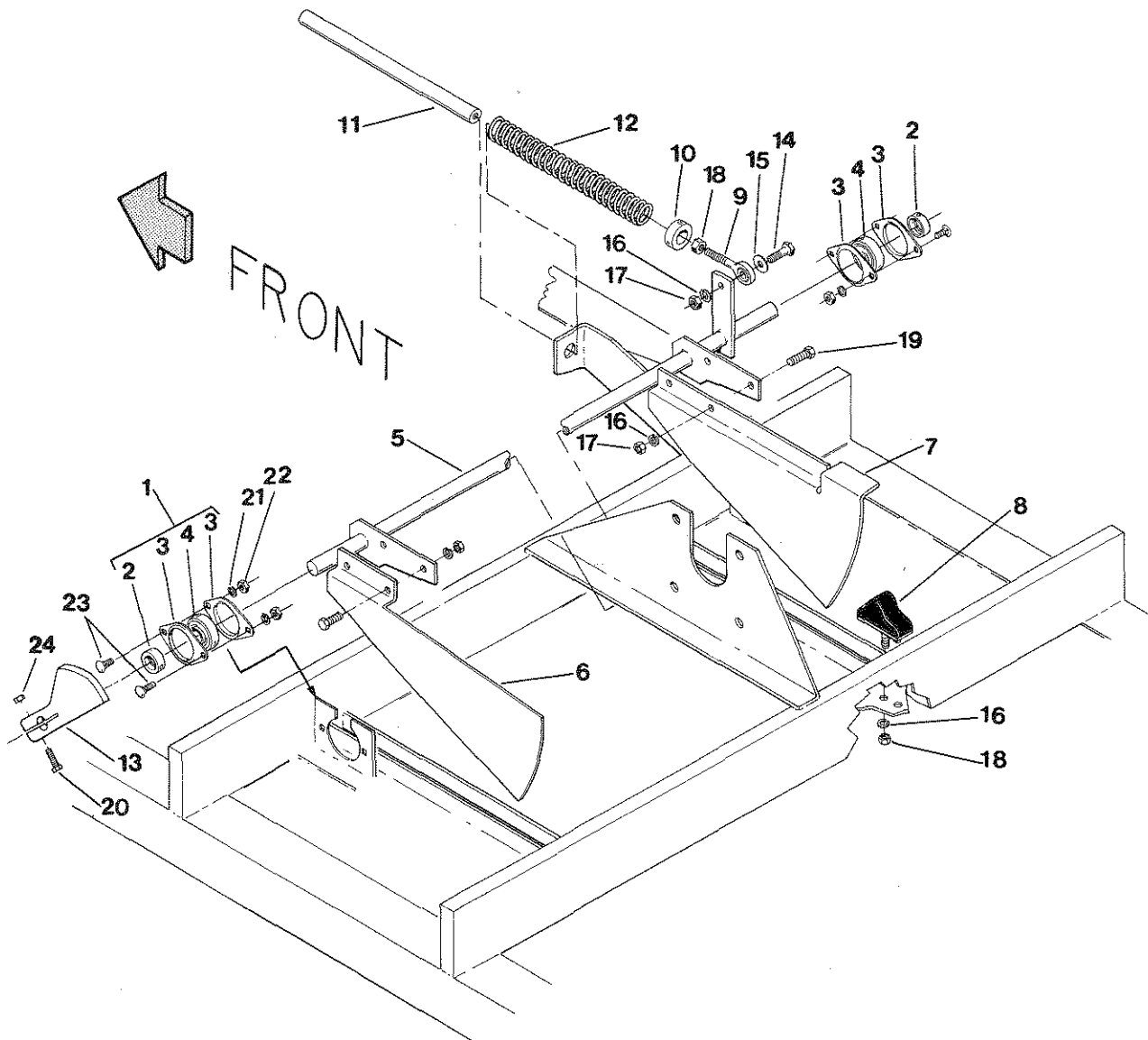
REF NO.	PART NO.	DESCRIPTION	QTY. USED
1	SLV0002509	SLEEVING F/TBE 2509	2
2	TBE0002509	TUBING TO CHAIN-1/4" NYLON	2
3	F 0001441	1/4 X 1/8 90* ELBOW	1
4	HYD0061010	1/8" BRASS SLEEVE	1
5	HYD0066010	1/8 BRASS-FEMALE CONNECTOR	1
6	HYD0066010	1/8 BRASS-FEMALE CONNECTOR	1
7	F 0008284	AUTO LUBER VALVE	37
8	PPE0040125	1/8 STD BLK PIPE TEE	2
9	SMR1032125	10-32X1-1/4 RH MACH SCREW	4
10	SLV0002501	SLEEVING F/TBE 2501	1
11	TBE0002501	TUBING TO TANK-1/4" NYLON	1
12	F 0000778	CONNECTOR FOR TUBE	2
13	PPE0000125	1/8 XCLO STD BLK PIPE NIPPLE	1
14	SCCO020002	5/16 X 1 NC HT CS - PLATED	2
15	WCT0000313	5/16" FLATWASHER - PLATED	2
16	WLK0000313	5/16" LOCKWASHER - PLATED	2
17	NCH0000313	5/16 NC HEX NUT - PLATED	2
18	LUB0017279	LUBER VALVE MANIFOLD BLOCK	6
19	PPE1250350	1/8 X 3-1/2 STD BLK PIPE NIPPL	4
20	PPE1250150	1/8 X 1-1/2 STD BLK PIPE NIPPL	2
21	BKT0017278	KNOTTER LUBER VALVE BRACKET	1
22	LUB0017277	KNOTTER LUBER ASSEMBLY	1
23	WCT0000100	#10 FLATWASHER - PLATED	12
24	WLK0000100	#10 LOCKWASHER - PLATED	4
25	NFH0001032	10-32 NF HEX NUT - PLATED	4
26	F 0008291	COVER FOR 1/8" NYLON TUBE-31"	37
27	F 0007400	1/8" NYLAFLOW TUBING - 3' PC.	37
28	BRG0022548	KNOTTER SHAFT CENTER BRG	1
29	F 0008290	NYLON CABLE TIE STRAP	36
30	KNT0600334	KNOTTER HEAD COMPLETE(NODULAR)	6
31	F 0008288	90* AUTO LUBER FITTING	25
32	F 0008287	STR AUTO LUBER FITTING	12
33	F 0008306	FERRULE F/AUTO LUBER FITTING	26

LUBER PUMP AND TANK



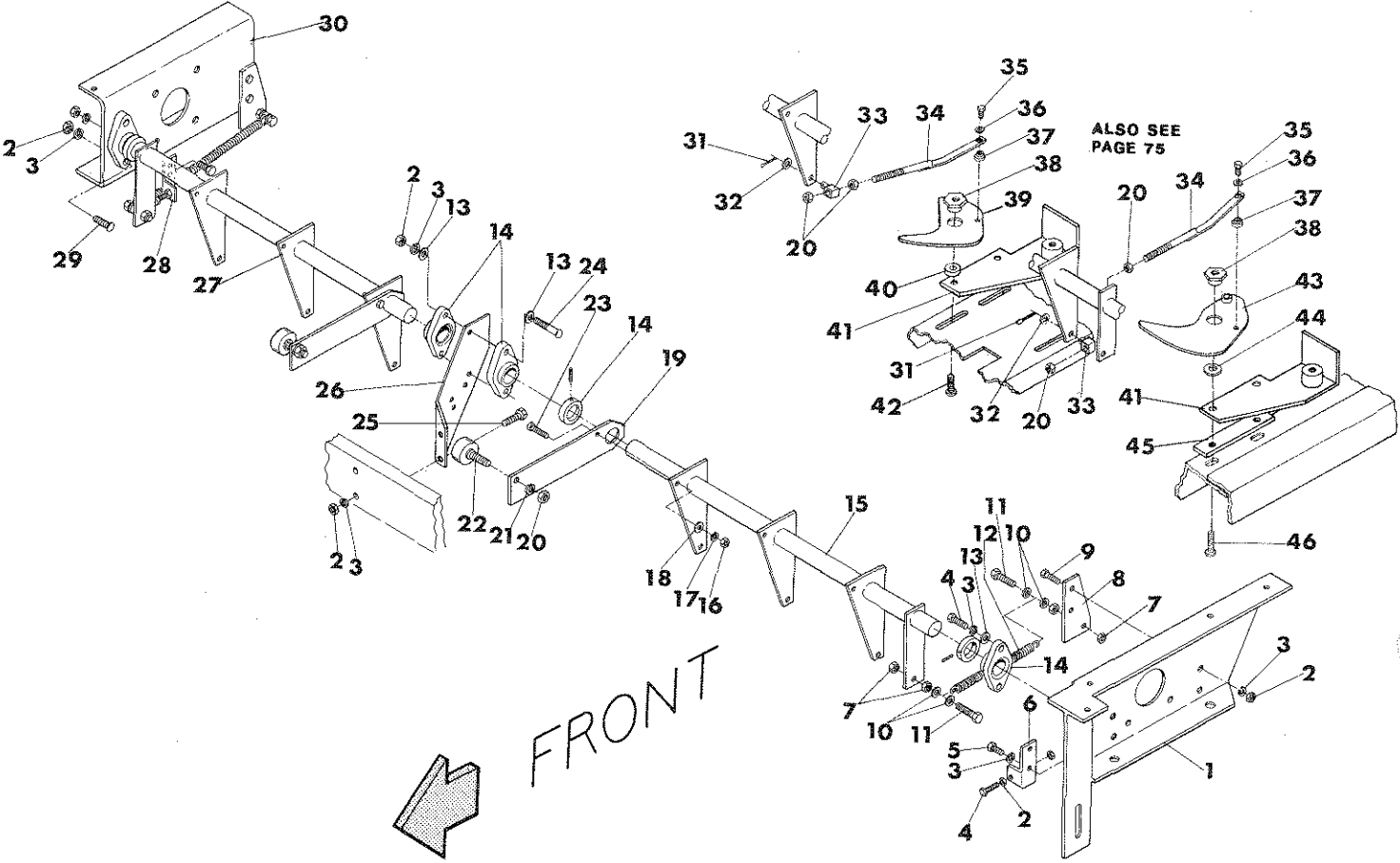
REF NO.	PART NO.	DESCRIPTION	QTY. USED
1	F 0008312	1/4 SLEEVE F/F1441	1
2	F 0001441	1/4 X 1/8 90* ELBOW	1
3	F 0008208	FILTER ELEMENT	1
3	FILO067012	FILTER F/AUTO LUBER TANK	1
4	01-736	3/8 X 1/8 BLK HEX BSH REDUCER	1
5	PMP4731107	AUTO LUBER PUMP	1
6	NMS0000117	5/16 NC WHIZ NUT - PLATED	4
7	PPE0500250	1/2 X 1/4 STD BLK HEX BUSH	1
8	F 0008209	3/8"X 1/4"90*BRASS MALE ELBOW	4
9	F 0008199	SITE GAUGE F/AUTO LUBER TANK	2
10	IMPO026106	3/8 NUT & SLEEVE ASSEMBLY	4
11	IMPO026006	3/8" PLASTIC SLEEVE	4
12	F 0008198	COVER TO TANK-AUTO LUBER GSKT	1
13	F 0008197	TANK COVER	1
14	FILO010003	FILTER CAP COMPLETE W/SCREEN	1
15	SMR1032500	10-32X1/2 RH MACH SCREW-PLT	6
16	SCC0020003	5/16 X 1-1/4 NC HT CS - PLATED	4
17	FT 0000538	5/16 COPPER SEALING WASHER	4
18	FT 0000165	PUMP DRIVE CHAIN-93 PITCH RC41	1
19	FT 0000113	1/2" CONNECTING LINK #41	1
20	FT 0000114	OFFSET LINK FOR #40 CHAIN	1
21	ZZ 0000403	1/8 X 1/8 X 1 KEY	1
22	F 0008201	41B15 X 9/16 BOR-1/8KW 2SS SPK	1
23	LUB0017169	LUBER TANK	1
24	SCC0020002	5/16 X 1 NC HT CS - PLATED	4
25	SCC0030002	3/8 X 1 NC HT CS - PLATED	2
26	WCT0000375	3/8" FLATWASHER - PLATED	2
27	WLK0000375	3/8" LOCKWASHER - PLATED	2
28	NCH0000375	3/8" NC HEX NUT - PLATED	2

FULL FEED SENSOR



REF NO.	PART NO.	DESCRIPTION	QTY. USED
1	F 0001618	SHAFT BEARING COMPLETE	2
2	F 0001890	LOCKING COLLAR F/F1619 BEARING	2
3	F 0001889	FLANGETTE F/F1618 BEARING	4
4	F 0001619	BEARING ONLY	2
5	ARM0022540	FEED SENSOR ARM ASSEMBLY	1
6	PDLO015668	FEED SENSOR LEFT PADDLE	1
7	PDLO017210	FEED SENSOR RIGHT PADDLE	1
8	F 0008264	RUBBER BUMPER	1
9	ROD0000600	3/8 MALE ROD END	1
10	F 0000172	3/4" SET COLLAR	1
11	ROD0015671	FEED SENSOR GUIDE ROD	1
12	04-105	RETURN SPRING	1
13	CAM0015917	CHARGE SWITCH CAM	1
14	SCC0030004	3/8 X 1-1/2 NC HT CS - PLATED	1
15	WCT0000375	3/8" FLATWASHER - PLATED	1
16	WLK0000375	3/8" LOCKWASHER - PLATED	6
17	NCH0000375	3/8" NC HEX NUT - PLATED	5
18	NFH0000375	3/8" NF HEX NUT - PLATED	2
19	SCC0030002	3/8 X 1 NC HT CS - PLATED	4
20	SCC0020005	5/16 X 1-3/4 NC HT CS - PLATED	1
21	WLK0000313	5/16" LOCKWASHER - PLATED	5
22	NCH0000313	5/16 NC HEX NUT - PLATED	5
23	CRB3130075	5/16X 3/4 CARRIAGE BOLT-PLTD	4
24	NCE0000313	5/16" NC ESNA NUT - PLATED	1

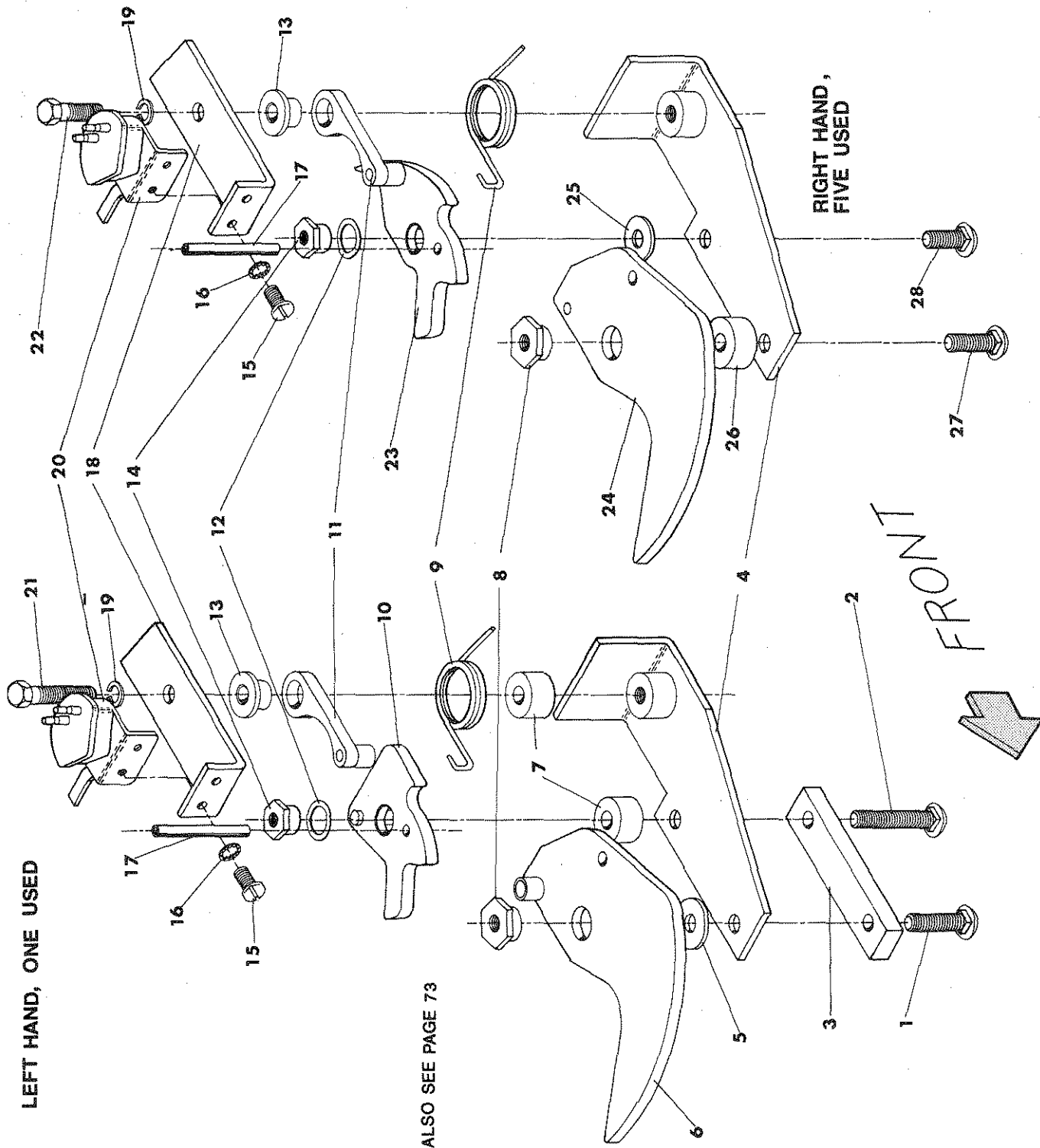
TWINE FINGER DRIVE



TWINE FINGER DRIVE

REF NO.	PART NO.	DESCRIPTION	QTY. USED
1	MNT0015328	L. H. KNOTTER MOUNT ASSY	1
2	NCH0000313	5/16 NC HEX NUT - PLATED	18
3	WLK0000313	5/16" LOCKWASHER - PLATED	16
4	SCC0020003	5/16 X 1-1/4 NC HT CS - PLATED	4
5	SCC0020001	5/16 X 3/4 NC HT CS - PLATED	2
6	BKT1537100	L. H. TWINE FINGER STOP BKT	1
7	NCH0000375	3/8" NC HEX NUT - PLATED	8
8	BKT0022078	TWINE FINGER RETURN SPRG BKT	2
9	SCC0020002	5/16 X 1 NC HT CS - PLATED	4
10	WCT0000375	3/8" FLATWASHER - PLATED	8
11	SCC0030004	3/8 X 1-1/2 NC HT CS - PLATED	4
12	F 0001517	TRIP SPRING	2
13	WCT0000313	5/16" FLATWASHER - PLATED	6
14	02-104	1" FLANGE BEARING	4
15	SHF0015366	LEFT TWINE FINGER DRIVE SHAFT	1
16	NCH0000250	1/4" NC HEX NUT - PLATED	2
17	WLK0000250	1/4" LOCKWASHER - PLATED	2
18	WCT0000250	1/4" FLATWASHER - PLATED	2
19	ARM0015370	CAM ARM-TWN FINGR DRIVE	2
20	NFH0000375	3/8" NF HEX NUT - PLATED	14
21	WLK0000375	3/8" LOCKWASHER - PLATED	2
22	F 0001572	CAM FOLLOWER-RESET-SADDLE LEV	2
23	SCC0010002	1/4 X 1 NC HT CS - PLATED	2
24	SCC0020007	5/16 X 2-1/4 NC HT CS - PLATED	2
25	SCC0020005	5/16 X 1-3/4 NC HT CS - PLATED	2
26	MNT0015373	TWINE FING DRIV CENT BRG MNT	1
27	SHF0015365	RIGHT TWINE FINGER DRIVE SHAFT	1
28	BKT1537101	R. H. TWINE FINGER STOP BKT	1
29	CRB3130150	5/16X 1-1/2 CARRIAGE BOLT-PLTD	2
30	MNT0015325	R. H. KNOTTER MOUNT	1
31	COT0000301	3/32 X 3/4 COTTER PIN	6
32	F 0001623	TWINE FINGER LINK BLOCK WASHER	6
33	F 0000159	TWINE FINGER LINK BLOCK	6
34	ROD0021408	TWINE FINGER DRIVE ROD	6
35	SFC0020001	5/16 X 3/4 NF HT CS - PLATED	6
36	WIS0003125	5/16" INTERNAL STAR WASHER-PLT	6
37	BSH0015568	BUSHING, RESET LVR-TWN SENSOR	6
38	F 0008144	TWINE FINGER BUSHING NUT	6
39	KNT0021598	TWINE FINGER	5
40	SPC0015552	TWINE FINGER SPACER	5
41	MNT0021609	KNOT SENSOR MOUNT	6
42	CRB3750010	3/8 X 1 CARR BOLT & NUT -PREMA	5
43	KNT0021597	LEFT TWINE FINGER	1
44	F 0008146	TWINE FINGER WASHER	1
45	SPC0021711	TWINE FINGER & SENSOR SPACER	1
46	CRB3750013	3/8 X 1-1/4 CARRIAGE BOLT-PLTD	1

KNOT SENSOR



LEFT HAND, ONE USED

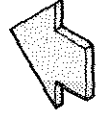
RIGHT HAND, FIVE USED

FRONT

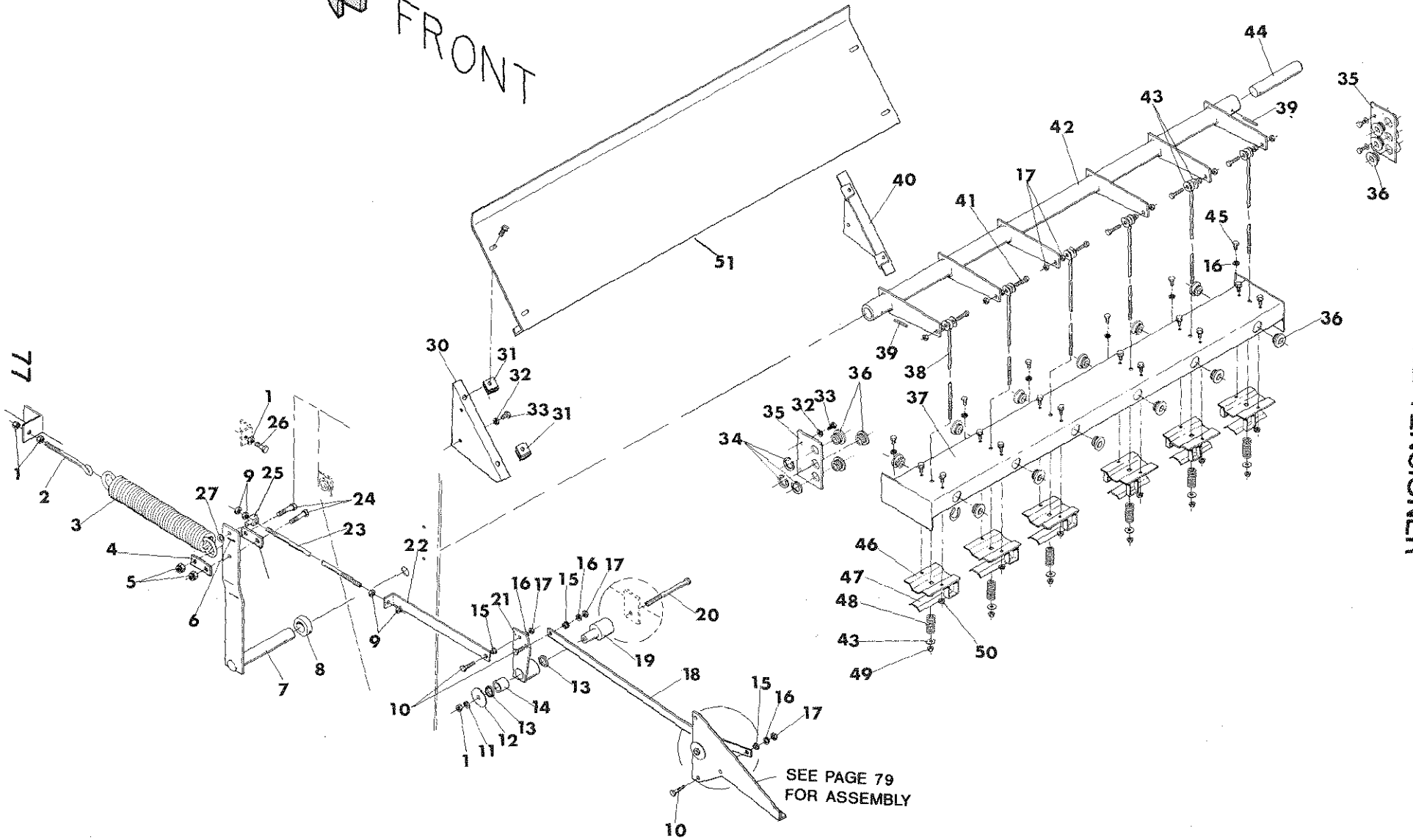
ALSO SEE PAGE 73

KNOT SENSOR

REF NO.	PART NO.	DESCRIPTION	QTY. USED
1	CRB7375125	3/8 X 1-1/4 GR 5 CARR BOLT-PLT	1
2	CRB7375175	3/8 X 1-3/4 GR 5 CARR BOLT-PLT	1
3	SPC0021711	TWINE FINGER & SENSOR SPACER	1
4	MNT0021609	KNOT SENSOR MOUNT	6
5	F 0008146	TWINE FINGER WASHER	1
6	KNT0021597	LEFT TWINE FINGER	1
7	SPC0021601	LEFT SWITCH MOUNT SPACER	2
8	F 0008144	TWINE FINGER BUSHING NUT	6
9	SPG0021607	TWINE SENSOR LATCH LEVER SPRG	6
10	KNT0021953	L. H. KNOT SENSOR FINGER	1
11	KNT0021604	TWINE SENSOR LATCH LEVER	6
12	WCB0087500	7/8 PHOS-BRONZE FLATWASHER	6
13	F 0000440	FERRULE	6
14	BSH0021610	KNOT SENSOR BUSHING	6
15	SMR1032500	10-32X1/2 RH MACH SCREW-PLT	12
16	WISO001000	#10 INTERNAL STAR WASHER-PLT	12
17	ZZ 0000705	1/4 X 2 ROLL PIN	6
18	MNT0021603	KNOT SENSOR SWITCH MOUNT	6
19	WLK0003750	3/8" LOCKWASHER	6
20	ELC0021608	KNOT SENSOR SWITCH	6
21	SCC0000304	3/8 X 1-1/2 NC HT CAP SCREW	5
22	SCC0000302	3/8 X 1 NC HT CAP SCREW	5
23	KNT0021950	KNOT SENSOR FINGER	5
24	KNT0021598	TWINE FINGER	5
25	WCT0003750	3/8" FLATWASHER	5
26	SPC0015552	TWINE FINGER SPACER	5
27	CRB7375100	3/8 X 1 GR 5 CARR BOLT-PLT	5
28	CRB7375075	3/8 X 3/4 GR 5 CARR BOLT-PLT	5



FRONT

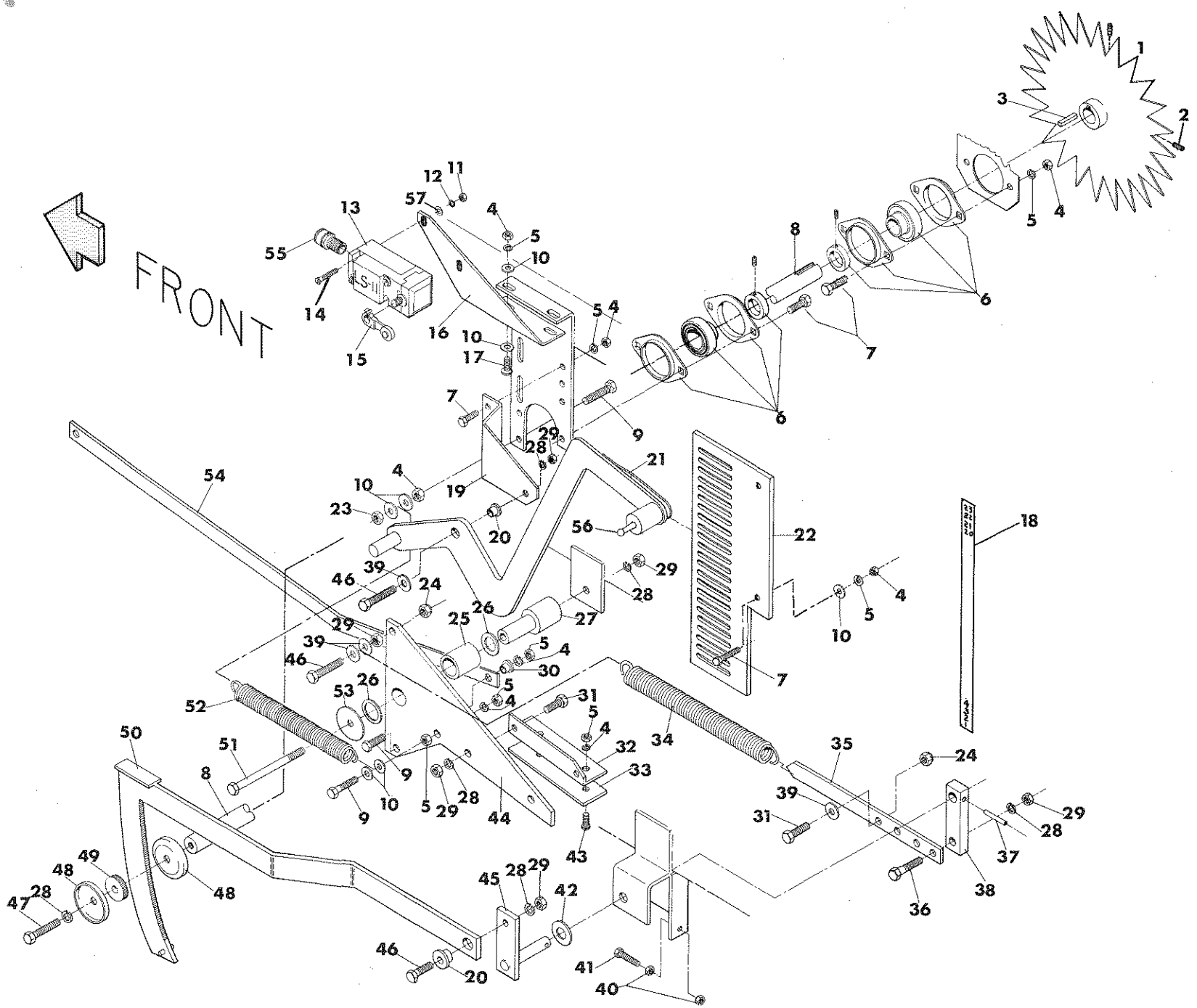


TWINE TENSIONER

TWINE TENSIONER

REF NO.	PART NO.	DESCRIPTION	QTY. USED
1	NCH0000375	3/8" NC HEX NUT - PLATED	4
2	SMS0000301	3/8 X 5-1/2 EYE BOLT	1
3	F 0000108	PICKUP BALANCE SPRING	1
4	LNK0015609	TWINE TENSIONER SPRING LINK	2
5	NCE0000375	3/8" NC ESNA NUT - PLATED	2
6	COT0000301	3/32 X 3/4 COTTER PIN	1
7	LEV0015603	TWINE TENSIONER-SPRING LEVER	1
8	ZZ 0002003	1" SET COLLAR	1
9	NFH0000375	3/8" NF HEX NUT - PLATED	4
10	SCC0020003	5/16 X 1-1/4 NC HT CS - PLATED	3
11	WLK0000375	3/8" LOCKWASHER - PLATED	1
12	F 0000246	KNOTTER BRAKE DISC WASHER	3
13	F 0007587	SADDLE LEVER ANCHOR SEAL	2
14	F 0007586	BUSHING F/SADDLE LEVER ANCHOR	1
15	F 0008147	TWINE FINGER DRIVE ROD BUSHING	3
16	WLK0000313	5/16" LOCKWASHER - PLATED	10
17	NCH0000313	5/16 NC HEX NUT - PLATED	14
18	ROD0015599	TWN TENSIONER REAR RELEASE ROD	1
19	SLV0015542	KNOTTER TRIP PIVOT BOLT SLEEVE	1
20	SCC0030016	3/8 X 5 NC HT CS - PLATED	1
21	ARM0015593	TENSION RELEASE-WOBBLE ARM	1
22	ROD0015600	TWINE TNSR FRNT RELEASE ROD	1
23	ROD0015601	TWINE TENSION ROD	1
24	SCC0030004	3/8 X 1-1/2 NC HT CS - PLATED	2
25	F 0000159	TWINE FINGER LINK BLOCK	1
26	SCC0030003	3/8 X 1-1/4 NC HT CS - PLATED	1
27	F 0001623	TWINE FINGER LINK BLOCK WASHER	1
28	SHD0016584	TWINE TENSIONER CHAFF SHIELD	1
29	SMS0000300	1/4 X 5/8 WASH HD NC WHIZ BOLT	16
30	MNT1660700	L. H. CHAFF SHIELD MOUNT	1
31	NCC0002500	1/4" NC CAGE NUT	4
32	WLK0000250	1/4" LOCKWASHER - PLATED	8
33	SCC0010001	1/4 X 3/4 NC HT CS - PLATED	8
34	F 0000857	SNAP RING F/TWN GUIDE BUSHING	18
35	BKT0015602	TWN TENSIONER TWN GUIDE BRKT	2
36	F 0000856	TWINE & WIRE GUIDE BUSHING	18
37	MNT0022478	TWINE TENSIONER TENSION BASE	1
38	ROD0015608	TWINE TENSION ROD	6
39	F 0007076	SPIRAL ROLL PIN	2
40	MNT1660701	R. H. CHAFF SHIELD MOUNT	1
41	SCC0020004	5/16 X 1-1/2 NC HT CS - PLATED	6
42	LEV0022476	TWINE TENSION LEVER ASSEMBLY	1
43	WCT0000313	5/16" FLATWASHER - PLATED	18
44	PIN0015610	TWINE TENSION LEVER PIVOT PIN	1
45	SCC0020001	5/16 X 3/4 NC HT CS - PLATED	6
46	TNS0015598	TWINE TENSION BASE	6
47	F 0007890	TWINE TENSION TOP	6
48	F 0007541	COMPRESSION SPRING	6
49	NCE0000313	5/16" NC ESNA NUT - PLATED	6
50	NMS0000250	1/4" NC WHIZ NUT - PLATED	6
51	SHD0016584	TWINE TENSIONER CHAFF SHIELD	1

BALE LENGTH MECHANISM



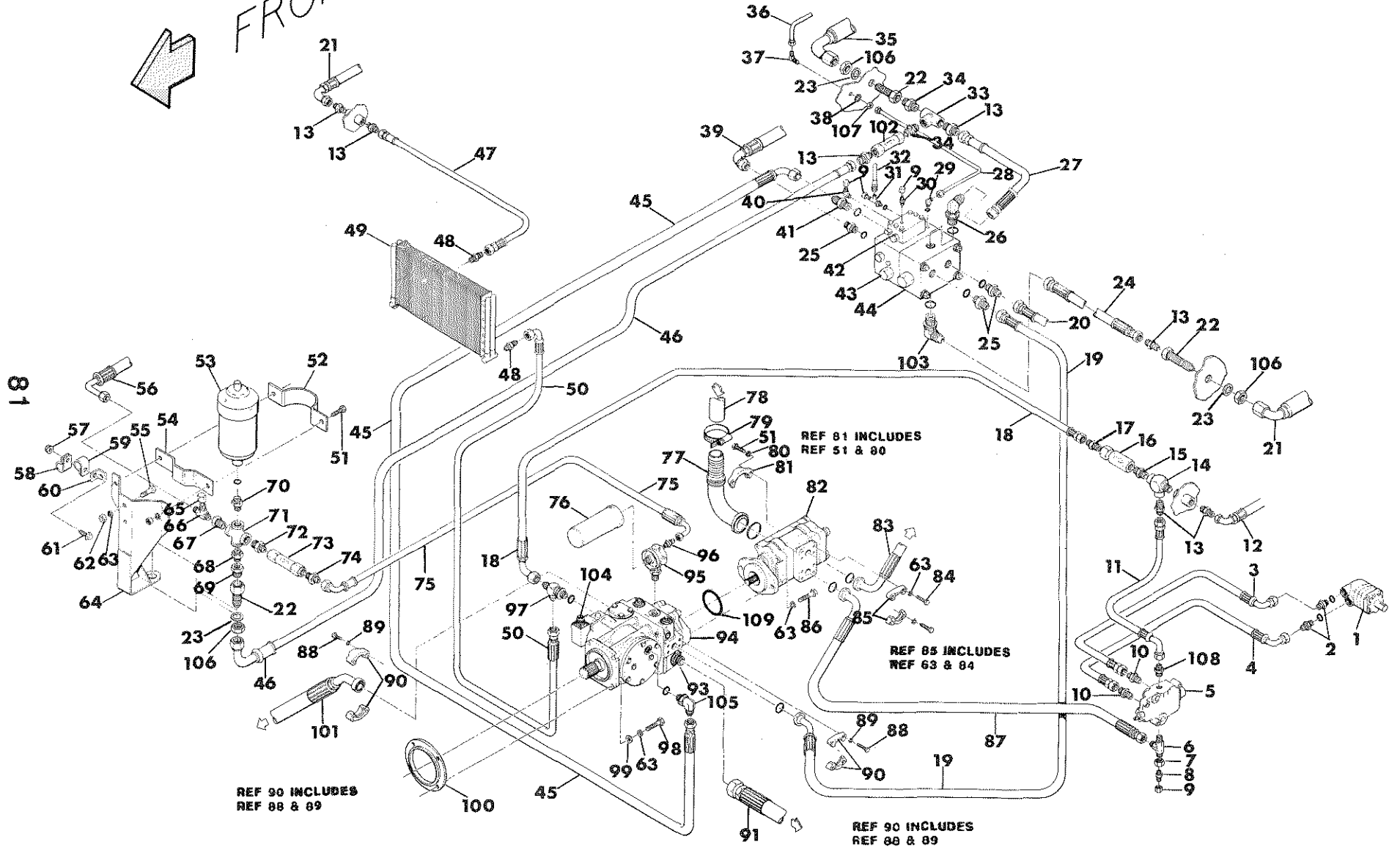
79

BALE LENGTH MECHANISM

REF NO.	PART NO.	DESCRIPTION	QTY. USED
1	KNT0024098	METER WHEEL	1
2	STS2500313	1/4 X 5/16 SOCKET SET SCREW	2
3	ZZ 0000404	3/16 X 3/16 X 1-1/2 KEY	1
4	NCH0000313	5/16 NC HEX NUT - PLATED	18
5	WLK0000313	5/16" LOCKWASHER - PLATED	16
6	F 0001618	METER WHEEL SHAFT BRG W/CLAMPS	2
7	SCC0020002	5/16 X 1 NC HT CS - PLATED	9
8	SHF0015527	METER WHEEL SHAFT	1
9	SCC0020003	5/16 X 1-1/4 NC HT CS - PLATED	2
10	WCT0000313	5/16" FLATWASHER - PLATED	10
11	NFH0010320	10-32 NF HEX NUT	2
12	WLK0000100	#10 LOCKWASHER - PLATED	2
13	SWI0005081	LIMIT SWITCH-8 POST	1
14	SMR1032150	10-32X1-1/2 RH MACH SCREW-PLT	2
15	ARM0005001	1-1/2" LEVER ARM W/3/4" ROLLER	1
16	BKT0024068	KNOTTER TRIP SWITCH BRACKET	1
17	SMR0002002	5/16 X 1 RH MACH SCREW-PLT	2
18	FD 0022521	BALE LENGTH ADJ DECAL	1
18	SCC0020002	5/16 X 1 NC HT CS - PLATED	7
19	MNT0022342	ADJUSTMENT BAR MOUNT	1
20	F 0000440	FERRULE	2
21	BAR0022343	KNOTTER TRIP ADJUSTMENT BAR	1
22	PLT0022880	ADJUSTMENT PIN PLATE	1
23	NCE0000313	5/16" NC ESNA NUT - PLATED	1
24	NCE0000375	3/8" NC ESNA NUT - PLATED	2
25	F 0007586	BUSHING F/SADDLE LEVER ANCHOR	1
26	F 0007587	SADDLE LEVER ANCHOR SEAL	2
27	SLV0015542	KNOTTER TRIP PIVOT BOLT SLEEVE	1
28	WLK0000375	3/8" LOCKWASHER - PLATED	4
29	NCH0000375	3/8" NC HEX NUT - PLATED	4
30	F 0008147	TWINE FINGER DRIVE ROD BUSHING	1
31	SCC0030002	3/8 X 1 NC HT CS - PLATED	3
32	MNT0017158	WEAR LINER MOUNT	1
33	LINO017159	RESET LEVER WEAR LINER	1
34	F 0001517	TRIP SPRING	1
35	LNK0015541	KNOTTER TRIP SPRING LINK	1
36	SCC0030004	3/8 X 1-1/2 NC HT CS - PLATED	1
37	ZZ 0000726	3/16 X 1 ROLL PIN	1
38	LEV0015537	KNOTTER TRIP SPRING LEVER	1
39	WCT0000375	3/8" FLATWASHER - PLATED	3
40	NCH0000250	1/4" NC HEX NUT - PLATED	2
41	SCC0010003	1/4 X 1-1/4 NC HT CS - PLATED	1
42	WCT0000500	1/2" FLATWASHER - PLATED	1
43	CRB7313075	5/16X 3/4 GR 5 CARR BOLT-PLT	2
44	LEV0015533	KNOTTER TRIP RESET LEVER	1
45	LEV0015534	KNTR TRIP METER BAR LEVER	1
46	SCC0030003	3/8 X 1-1/4 NC HT CS - PLATED	3
47	SCC0030005	3/8 X 1-3/4 NC HT CS - PLATED	1
48	F 0008023	GUIDE WASHER	2
49	KNT0020500	KNTR TRIP FRICTION DISC	1
50	KNT0024404	KNOTTER TRIP METER BAR	1
51	SCC0030016	3/8 X 5 NC HT CS - PLATED	1
52	F 0000747	SQUARE TIP ROD RETURN SPRING	1
53	F 0000246	KNOTTER BRAKE DISC WASHER	1
54	ROD0015599	TWN TENSIONER REAR RELEASE ROD	1
55	CNR0000195	CONNECTOR	1
56	PIN0000142	SPRING PIN	A/R
57	WCT0000100	#10 FLATWASHER - PLATED	2

MAIN SYSTEM HYDRAULICS

FRONT
←



81

REF 90 INCLUDES
REF 88 & 89

REF 81 INCLUDES
REF 51 & 80

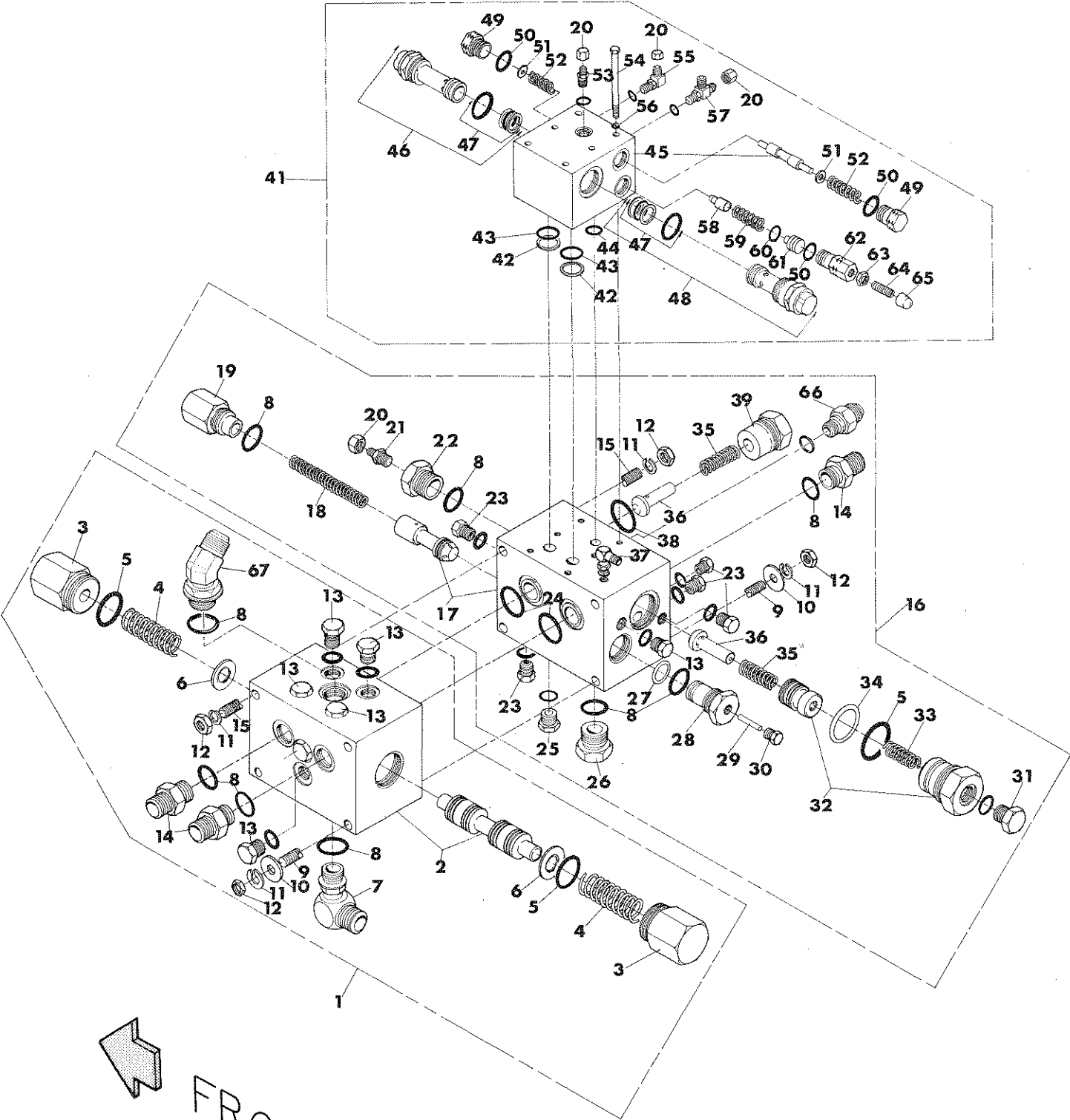
REF 85 INCLUDES
REF 63 & 84

REF 90 INCLUDES
REF 88 & 89

MAIN SYSTEM HYDRAULICS

REF NO.	PART NO.	DESCRIPTION	QTY. USED	REF NO.	PART NO.	DESCRIPTION	QTY. USED
1	MTR1091104	MOTOR - 109-1104-4000 HP15 CID	1	56	HOS0016624	HOSE-VALVE MANIFOLD PILOT	1
2	HYD5315060	3/4JIC X 3/4 O-RNG ST THD CONN	2	57	NMS0000117	5/16 NC WHIZ NUT - PLATED	2
3	HOS0021436	CHAR LYNN HYD HOSE	1	58	CLP7701163	HOSE CLAMP	1
4	HOS0021435	CHAR LYNN HYD HOSE	1	59	CLP7701164	1-1/4 INSULATED HOSE CLAMP	1
5	VLV0512542	VALVE RD-RD-512-EA-5A-4B2	1	60	BKT0016580	HOSE SUPT. EKT-TENSION CONTROL	1
6	HYD5755060	3/4 JIC X 3/4 NPT MALE RUN TEE	1	61	SMS0000184	5/16 X 3/4 NC WHIZ BOLT-PLATED	1
7	HYD5105060	3/4" 3-PIECE NUT	1	62	NGH0000375	3/8" NC HEX NUT - PLATED	2
8	HYD5015062	3/4 TO 1/4 JIC TUBE REDUCER	1	63	WLK0000375	3/8" LOCKWASHER - PLATED	10
9	HYD5129020	1/4" JIC CAP	4	64	MNT0015856	ACCUMULATOR MOUNT	1
10	HYD5205064	3/4 JIC X 1/2 NPT MALE CONN	2	65	HYD5129040	1/2" JIC CAP	1
11	HOS0016650	FEEDER CRANK MOTOR RETURN HOSE	1	66	HYD5755444	1/2 JIC X 1/2 NPT MALE RUN TEE	1
12	HOS0023439	TANK FILTER HOSES	2	67	HYD3109064	3/4 X 1/2 STERL PIPE BUSHING	1
13	HYD5205070	1" JIC X 1" NPT MALE CONN	7	68	HYD3069060	3/4 NPT STEEL HEX NIPPLE	1
14	HYD3759080	1" NPT STEEL MALE RUN TEE	1	69	HYD3109076	1 X 3/4 STEEL PIPE BUSHING	1
15	HYD3069071	1 X 3/4 NPT STEEL HEX NIPPLE	1	70	HYD6401066	3/4 X 3/4 MALE ADAPTER	1
16	VLV0075005	3/4" X 5 LB CHECK VALVE	1	71	HYD3959060	3/4 STEEL PIPE CROSS	1
17	HYD5205086	1" JIC X 3/4 NPT MALE CONN	1	72	HYD3069064	3/4 X 1/2 NPT STEEL HEX NIPPLE	1
18	HOS0023435	FEED KNOTTER MANIFOLD RETN HSE	1	73	F 0006657	CHECK VALVE-5 PSI X 1/2"	1
19	HOS0015876	PUMP TO VALVE HOSE	1	74	HYD5205044	1/2 JIC X 1/2 NPT MALE CONN	1
20	HOS0015875	PLUNGER CYLINDER HOSE	1	75	HOS0016646	HOSE-ACCUMULATOR CHARGE	1
21	HOS0023451	LEFT MAKE-UP CYLINDER HSE	1	76	FIL0164378	#4 MEDIUM HYDRAULIC FILTER	1
22	HYD5275080	1" JIC X 1" NPT FEM BLKHD CONN	3	77	HYD0080385	2"-O-RING FLANGE 90*	1
23	WIS0012500	1-1/4 INTERNAL STAR WASHER-PLT	3	78	HOS0023493	SUCTION HOSE	1
24	HOS0023437	MAKE-UP CYLINDER HOSE	1	79	CLP0000106	HOSE CLAMP	2
25	HYD5315080	1" JIC X 1" O-RNG ST THD CONN	3	80	WLK0000500	1/2" LOCKWASHER - PLATED	4
26	HYD5365080	1" JIC X 1" O-RING 45* ELBOW	1	81	FLG0001502	2"SPLIT FLG W/O-RING &BOLT KIT	1
27	HOS0016637	HOSE-ACCUMULATR DISCHARGE	1	82	PMP3301972	DRIVE PUMP	1
28	TBE0023713	MAIN VALVE PILOT TUBE	1	83	HOS0015798	VLV MANIFOLD PRES. HOSE	1
29	HYD5515030	3/8 JIC X 3/8 O-RING 90* ELBOW	1	84	SCC0030003	3/8 X 1-1/4 NC HT CS - PLATED	8
30	F 0006684	1/4JIC X 1/4 O-RNG ST THD CONN	1	85	FLG000165F	1"SPLIT FLG W/O-RING& BOLT KIT	2
31	HYD5716020	1/4 JIC X 1/4 O-RING RUN TEE	1	86	SCC0030009	3/8 X 2-3/4 NC HT CS - PLATED	2
32	HOS0017676	10M PRES GAUGE HOSE	1	87	HOS0015797	VALVE PRESSURE HOSE	1
33	HYD3709070	1" STEEL FEMALE PIPE TEE	1	88	SCC0040005	7/16 X 1-3/4 NC HT CS - PLATED	8
34	HYD3069070	1 NPT STEEL HEX NIPPLE	2	89	WLK0000438	7/16" LOCKWASHER - PLATED	8
35	HOS0023452	RIGHT MAKE-UP CYL. HOSE	1	90	FLG0001501	1"SPLIT FLG W/O-RING &BOLT KIT	2
36	TBE0023719	FRONT TENSION PILOT TUBE	1	91	HOS0023488	SUNDSTRAND PUMP SUCTION HOSE	1
37	HYD5525030	3/8 JIC X 90* BLKHD UNION ELB	1	92	HYD5515060	3/4 JIC X 3/4 O-RING 90* ELBOW	1
38	WIS0005625	9/16 INTERNAL STAR WASHER-PLT	1	93	HYD6400098	1-1/2JIC X 1-1/4 O-RNG THD CON	1
39	HOS0015877	PLUNGER CYLINDER HOSE	1	94	PMPO000090	MAIN HYDRAULIC PUMP	1
40	HYD5515020	1/4 JIC X 1/4 O-RING 90* ELBOW	1	95	FIL8800200	FILTER MANIFOLD	1
41	HYD5315064	3/4JIC X 1/2 O-RNG ST THD CONN	1	96	HYD5315043	1/2JIC X 3/8 O-RNG ST THD CONN	1
42	VLV9510083	SUND. 20 SERIES VLV MNFLD BLK.	1	97	HYD5716060	3/4 JIC X 3/4 O-RING RUN TEE	1
43	VLV0023540	PRIMARY VLV BLOCK	1	98	SCC0050006	1/2" X 2" NC HT CS - PLATED	4
44	VLV0013762	2 SECONDARY VLV BLK	1	99	WCT0000500	1/2" FLATWASHER - PLATED	4
45	HOS0023435	FEED KNOTTER MANIFOLD RETN HSE	1	100	DPT0018751	PUMP PILOT ADAPTER	1
46	HOS0023460	ACCUMULATOR DISCHARGE HSE	1	101	HOS0015874	PLUNGER CYLINDER HOSE	1
47	HOS0023456	OIL COOLER RETURN HOSE	1	102	VLV0000453	CHECK VALVE-4531S26	1
48	F 0006675	3/4 JIC X 1" NPT MALE CONN	2	103	HYD5515070	1" JIC X 1" O-RING 90* ELBOW	1
49	CLR21133S1	OIL COOLER	1	104	PMP1111002	CONTROLLER F/90 SERIES PUMP	1
50	HOS0023457	OIL COOLER SUPPLY HOSE	1	105	HYD5515060	3/4 JIC X 3/4 O-RING 90* ELBOW	1
51	SCC0050004	1/2 X 1-1/2 NC HT CS - PLATED	6	106	HYD5924080	1" BULKHEAD NUT	3
52	CLP0022217	ACCUM CLAMP HALF	1	107	HYD5924030	3/8" BULKHEAD NUT	1
53	ACM0800087	ACCUMULATOR-1 GAL.	1	108	HYD5205060	3/4 JIC X 3/4 NPT MALE CONN	1
54	CLP0022216	ACCUMULATOR CLAMP HALF	1	109	RNG0000045	O-RING 70 DURO	1
55	SCC0030002	3/8 X 1 NC HT CS - PLATED	2				

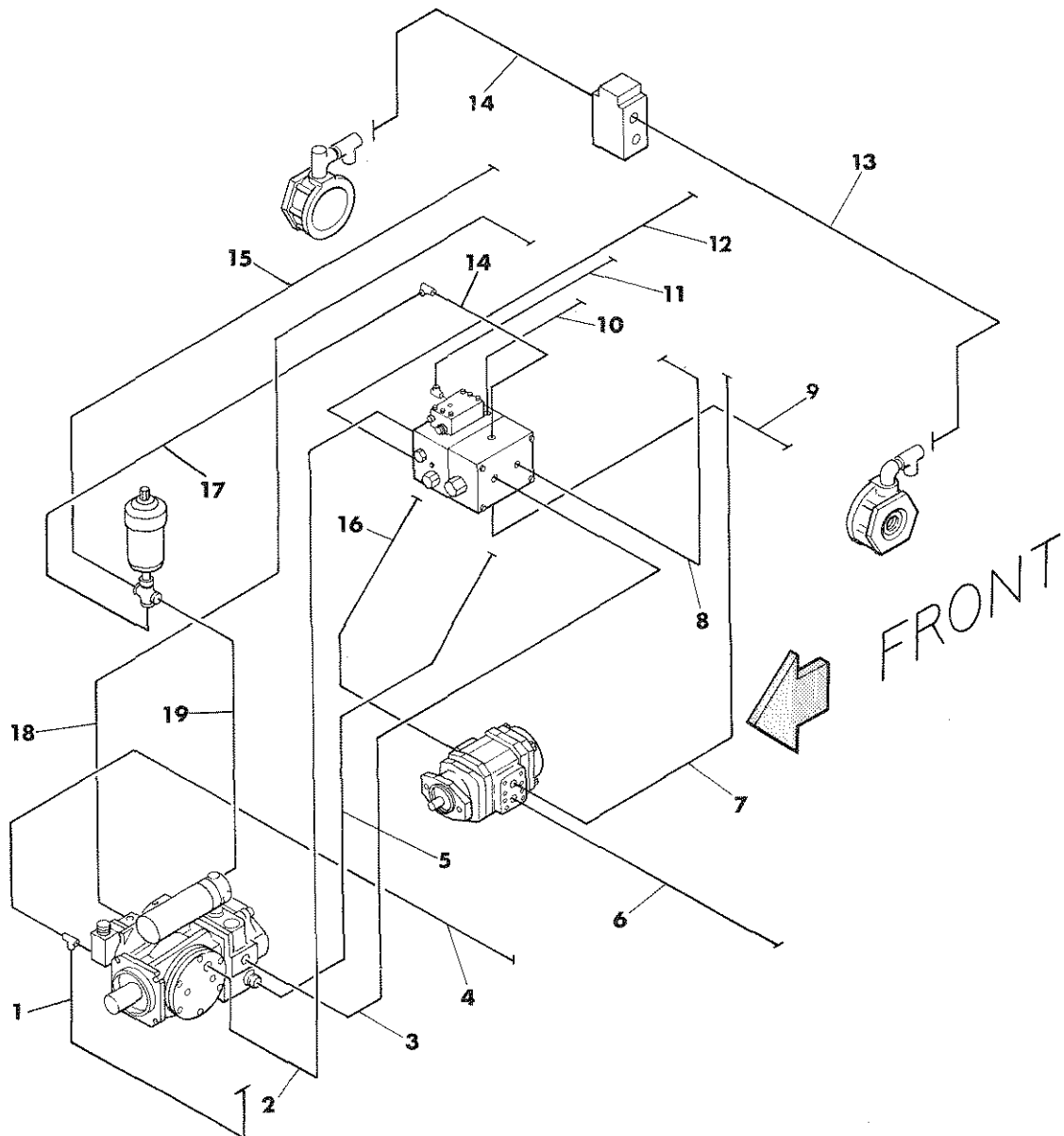
PLUNGER SYSTEM VALVE



PLUNGER SYSTEM VALVE

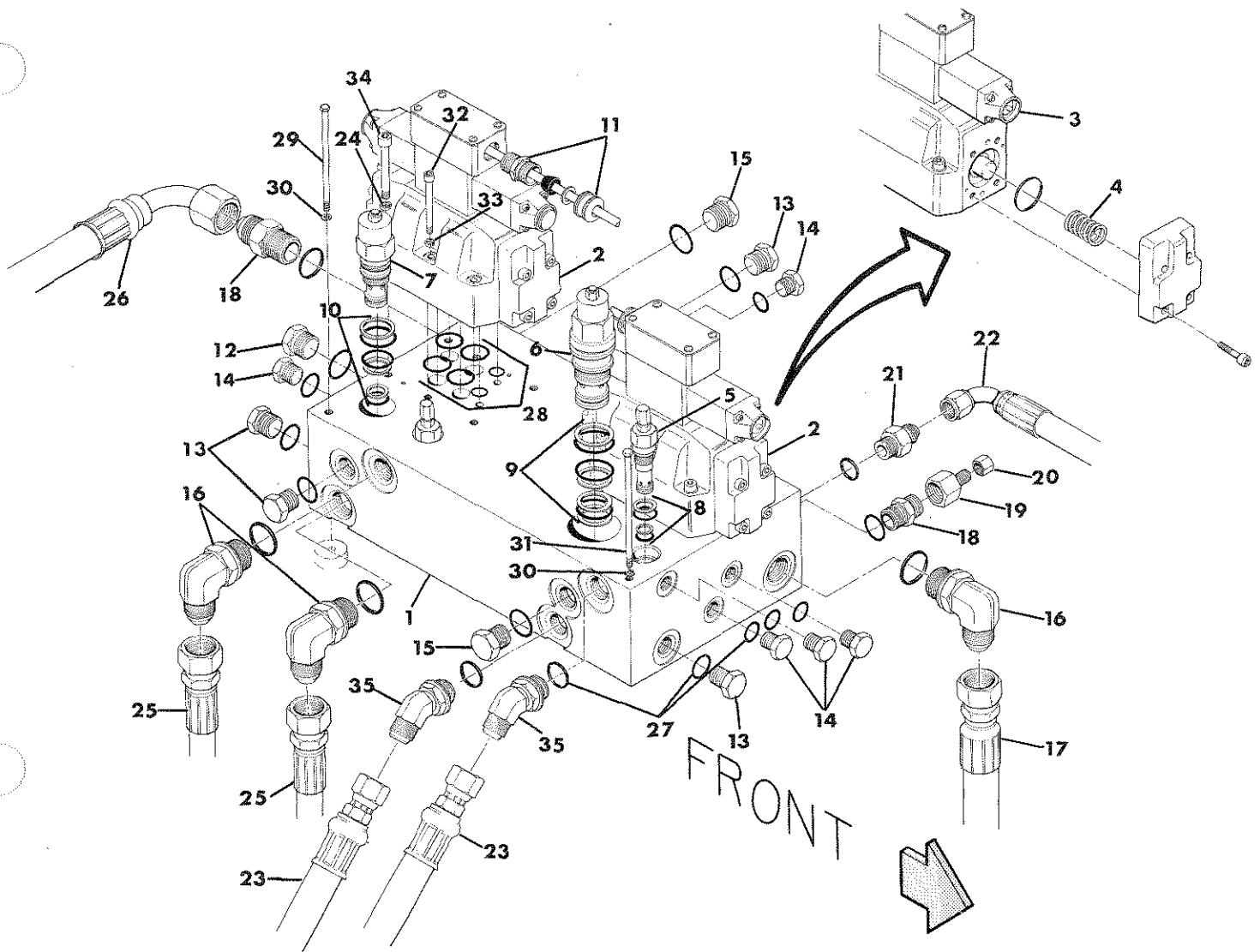
REF NO.	PART NO.	DESCRIPTION	QTY. USED
1	VLV0001502	SECONDARY VALVE ASSEMBLY	1
2	VLV0013762	2 SECONDARY VLV BLK	1
2	VLV0013763	SHUTTLE VALVE SPOOL	1
3	VLV0013768	SHUTTLE VALVE PLUG	2
4	SPG0015377	SHUTTLE VALVE SPRING	2
5	RNG0003924	O-RING V894-90 VITON 90 DURO	3
6	VLV0013772	SHUTTLE VALVE CENTERING WASHER	2
7	HYD5515070	1" JIC X 1" O-RING 90* ELBOW	1
8	RNG0003916	O-RING V894-90 VITON 90 DURO	8
9	ROD0015997	MAIN VALVE TIE ROD	2
10	WCT0000500	1/2" FLATWASHER - PLATED	4
11	WLK0000500	1/2" LOCKWASHER - PLATED	8
12	NCH0000500	1/2" NC HEX NUT - PLATED	8
13	HYD7237040	1/2" O-RNG HEX HEAD PLUG-PLTD	7
14	HYD5315080	1" JIC X 1" O-RNG ST THD CONN	3
15	ROD0015996	MAIN VALVE TIE ROD	2
16	VLV0001501	R. H. MAIN VALVE ASSEMBLY	1
17	VLV0013764	PRIMARY VALVE COUNT BAL SPOOL	1
17	VLV0023540	PRIMARY VALVE BLOCK	1
18	SPG0015375	UNLOADER VALVE SPRING	1
19	VLV0013766	PRIMARY VLV COUNT BAL SPG HSG	1
20	HYD5129020	1/4" JIC CAP	4
21	HYD5205022	1/4 JIC X 1/4 NPT MALE CONN	1
22	HYD0021193	1 "O-RING SERVICE PORT	1
23	HYD7237025	5/16" O-RNG HEX HEAD PLUG-PLTD	5
24	RNG0002219	O-RING V894-90 VITON 90 DURO	2
25	HYD7237050	5/8" O-RNG HEX HEAD PLUG-PLTD	1
26	HYD7237080	1" O-RNG HEX HEAD PLUG-PLTD	1
27	RNG0002210	O-RING DISOGREN 90 DUROMETER	1
28	VLV0013765	COUNTER BALANCE PILOT HOUSING	1
29	VLV0017226	MN VLV-UNLOADER PILOT PISTON	1
30	HYD3159010	1/8 HEX HEAD STEEL PIPE PLUG	1
31	VLV0015957	CHECK VALVE SPRING SEAT	1
32	VLV0013767	PRIMARY VLV PILOTED CHK HSG	1
32	VLV0013771	PRIM PILOT CLOSE CHK VLV PLUNG	1
33	SPG0016585	VALVE PISTON SPRING	1
34	RNG0002222	O-RING DISOGREN 90 DUROMETER	1
35	SPG0015376	CHECK VALVE SPRING	2
36	VLV0013769	PRIMARY CHECK VALVE POPPET	2
37	HYD5515030	3/8 JIC X 3/8 O-RING 90* ELBOW	1
38	RNG0003920	O-RING V894-90 VITON 90 DURO	1
39	VLV0013770	PRIMARY VALVE CHECK VLV HSG	1
40	HYD6801064	3/4 JIC X 1/2 O-RING 90* ELBOW	1
41	VLV9510083	SUND. 20 SERIES VLV MNFLD BLK.	1
42	RNG0008119	PAR BAC BACK UP RING 8-119	2
43	RNG0002119	O-RING V894-90 VITON 90 DURO	2
44	RNG0002020	O-RING V894-90 VITON 90 DURO	1
45	VLV9510649	SUND. 20 SERIES VLV MNFLD BLK	1
46	VLV9510438	RELIEF VALVE-5000PSI	1
47	KIT9510048	RELIEF VALVE SEAL KIT	2
48	VLV9510437	RELIEF VALVE-2500PSI	1
49	PLU9802034	HEX PLUG	1
50	RNG9004210	O-RING	3
51	WAS9009625	WASHER	2
52	SPG9800366	SHUTTLE VALVE SPRING	2
53	F 0006684	1/4JIC X 1/4 O-RNG ST THD CONN	1
54	SCC0020011	5/16 X 3-3/4 NC HT CS - PLATED	6
55	HYD5515020	1/4 JIC X 1/4 O-RING 90* ELBOW	1
56	WLK0000313	5/16" LOCKWASHER - PLATED	6
57	HYD5716020	1/4 JIC X 1/4 O-RING RUN TEE	1
58	VLV0981206	CHARGE RELIEF VALVE	1
59	SPG9803311	CHARGE RELIEF SPRING	1
60	RNG9000120	O-RING	1
61	VLV9803462	PLUNGER	1
62	PLU9803461	CHARGE RELIEF PLUG	1
63	NCH9003561	NUT	1
64	STS9007774	SET SCREW	1
65	COV9803352	COVER	1
66	HYD5315064	3/4JIC X 1/2 O-RNG ST THD CONN	1
67	HYD5365080	1" JIC X 1" O-RING 45* ELBOW	1

MAIN SYSTEM HOSES



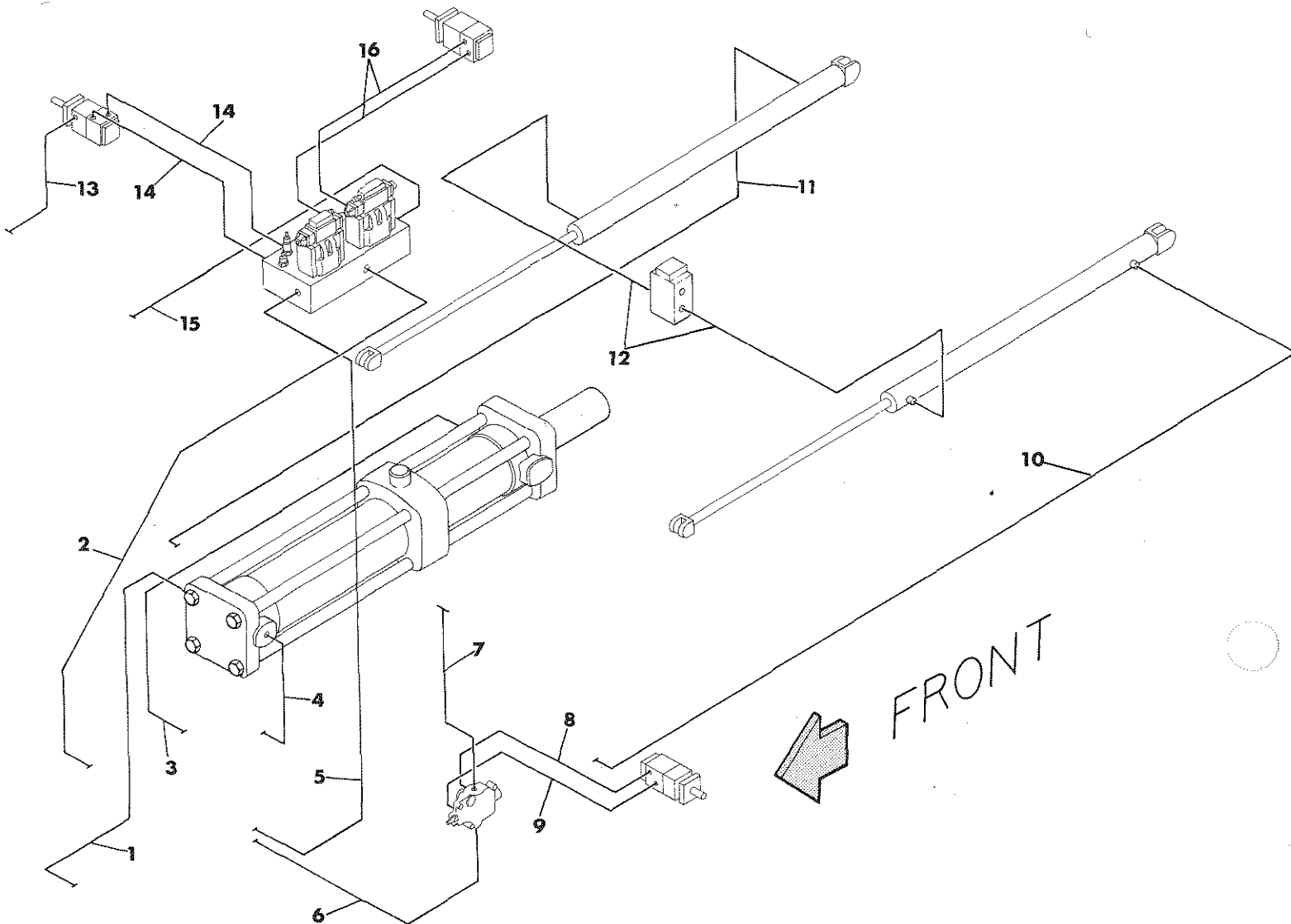
REF NO.	PART NO.	DESCRIPTION	QTY. USED
1	HOS0023457	OIL COOLER SUPPLY HOSE	1
2	HOS0023435	FEED KNOTTER MANIFOLD RETN HSE	1
3	HOS0015876	PUMP TO VALVE HOSE	1
4	HOS0023435	FEED KNOTTER MANIFOLD RETN HSE	1
5	HOS0023488	SUNDSTRAND PUMP SUCTION HOSE	1
6	HOS0015797	VALVE PRESSURE HOSE	1
7	HOS0015798	VALVE MANIFOLD PRESSURE HOSE	1
8	HOS0015875	PLUNGER CYLINDER HOSE	1
9	HOS0023437	MAKE-UP CYLINDER HOSE	1
10	TBE0023713	MAIN VALVE PILOT TUBE	1
11	HOS0017676	10M PRESSURE GAUGE HOSE	1
12	HOS0015877	PLUNGER CYLINDER HOSE	1
13	HOS0023439	TANK FILTER HOSE	1
14	HOS0016637	HOSE - ACCUMULATOR DISCHARGE	2
15	HOS0016624	HOSE-VALVE MANIFOLD PILOT	1
16	HOS0023493	SUCTION HOSE	1
17	HOS0023460	ACCUMULATOR DISCHARGE HOSE	1
18	HOS0015874	PLUNGER CYLINDER HOSE	1
19	HOS0016646	HOSE - ACCUMULATOR CHARGE	1

KNOTTER AND FEED FORK MANIFOLD VALVES AND HOSES



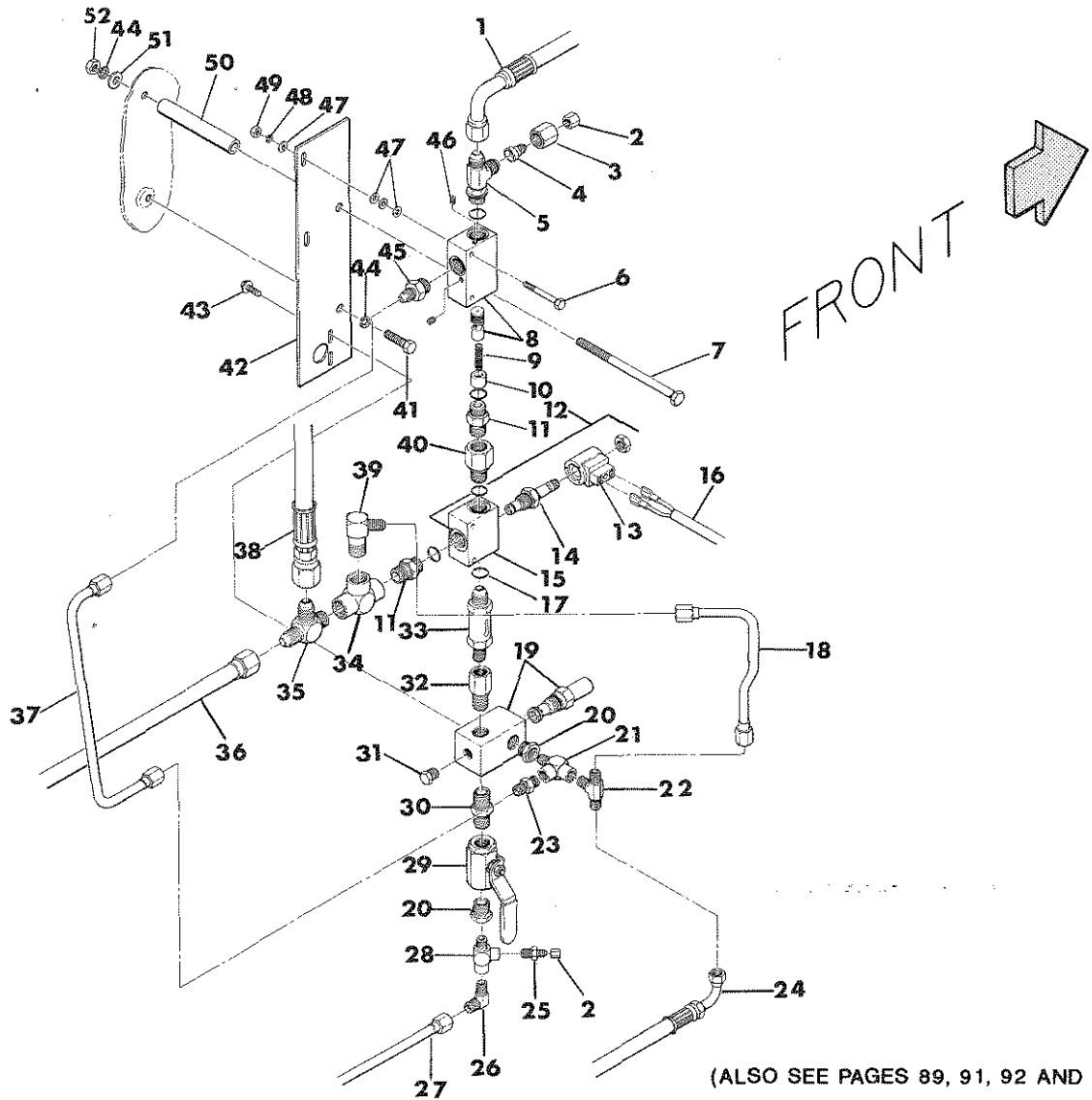
REF NO.	PART NO.	DESCRIPTION	QTY. USED	REF NO.	PART NO.	DESCRIPTION	QTY. USED
1	VLV0017304	FEEDER VALVE MANIFOLD BODY	1	18	HYD5315060	3/4JIC X 3/4 O-RNG ST THD CONN	2
2	VLV0000416	VALVE-RES. 4-WEH-16-G-6AG-12ND	2	19	HYD5015062	3/4 TO 1/4 JIC TUBE REDUCER	1
3	COI0035G12	12VDC SOL COIL	4	20	HYD5129020	1/4" JIC CAP	1
	KIT046J515	SEAL KIT F/VLV046J515	A/R	21	HYD5315043	1/2JIC X 3/8 O-RNG ST THD CONN	1
	VLV046J515	VALVE-4WE6J5X/AG 12ND/5	2	22	HOS0016624	HOSE-VALVE MANIFOLD PILOT	1
4	SPG0011549	RTN SPG F/VLV4WEH16G50/6A612ND	4	23	HOS0023438	FEED FORK MOTOR HOSE	2
5	VLV0000026	RELIEF VALVE CARTRIDGE	3	24	WAS0000107	3/8 HIGH COLLAR LOCKWASHER	8
6	VLV1500CBG	COUNTERBALANCE VALVE CARTRIDGE	1	25	HOS0016631	HOSE-KNOTTER DRIVE	2
7	VLV1500CBE	COUNTERBALANCE VALVE CARTRIDGE	1	26	HOS0023435	FEED KNOTTER MANIFOLD RETN HSE	1
8	KIT0991010	SEAL KIT F/VLV0000026	A/R	27	KIT0000017	O-RING SEAL KIT F/VLV17304	A/R
9	KIT0000013	SUN T17 SEALS FOR VLV1500CBG	A/R	28	KIT0000010	SEAL KIT FOR VLV0000416	A/R
10	KIT0000012	SUN T2 SEALS FOR VLV1500CBE	A/R	29	SCC0030015	3/8 X 4-1/2 NC HT CS - PLATED	2
11	CNR0000193	1/2" STRAIN RELIEF CONNECTOR	2	30	WLK0000375	3/8" LOCKWASHER - PLATED	3
12	HYD7237060	3/4" O-RNG HEX HEAD PLUG-PLTD	1	31	SCC0030016	3/8 X 5 NC HT CS - PLATED	1
13	HYD7237040	1/2" O-RNG HEX HEAD PLUG-PLTD	4	32	SCS0000107	1/4 X 2-1/4 NC SOCKET HEAD CS	4
14	HYD7237030	3/8" O-RNG HEX HEAD PLUG-PLTD	5	33	WAS0000025	1/4 HIGH COLLAR LOCKWASHER	4
15	HYD7237050	5/8" O-RNG HEX HEAD PLUG-PLTD	2	34	SCS0000307	3/8 X 2-1/4 NC SOCKET HEAD CS	8
16	HYD5515060	3/4 JIC X 3/4 O-RING 90* ELBOW	3	35	HYD5365060	3/4 JIC X 3/4 O-RING 45* ELBOW	2
17	HOS0015798	VLV MANIFOLD PRES. HOSE	1				

PLUNGER, FEEDER AND KNOTTER HOSES



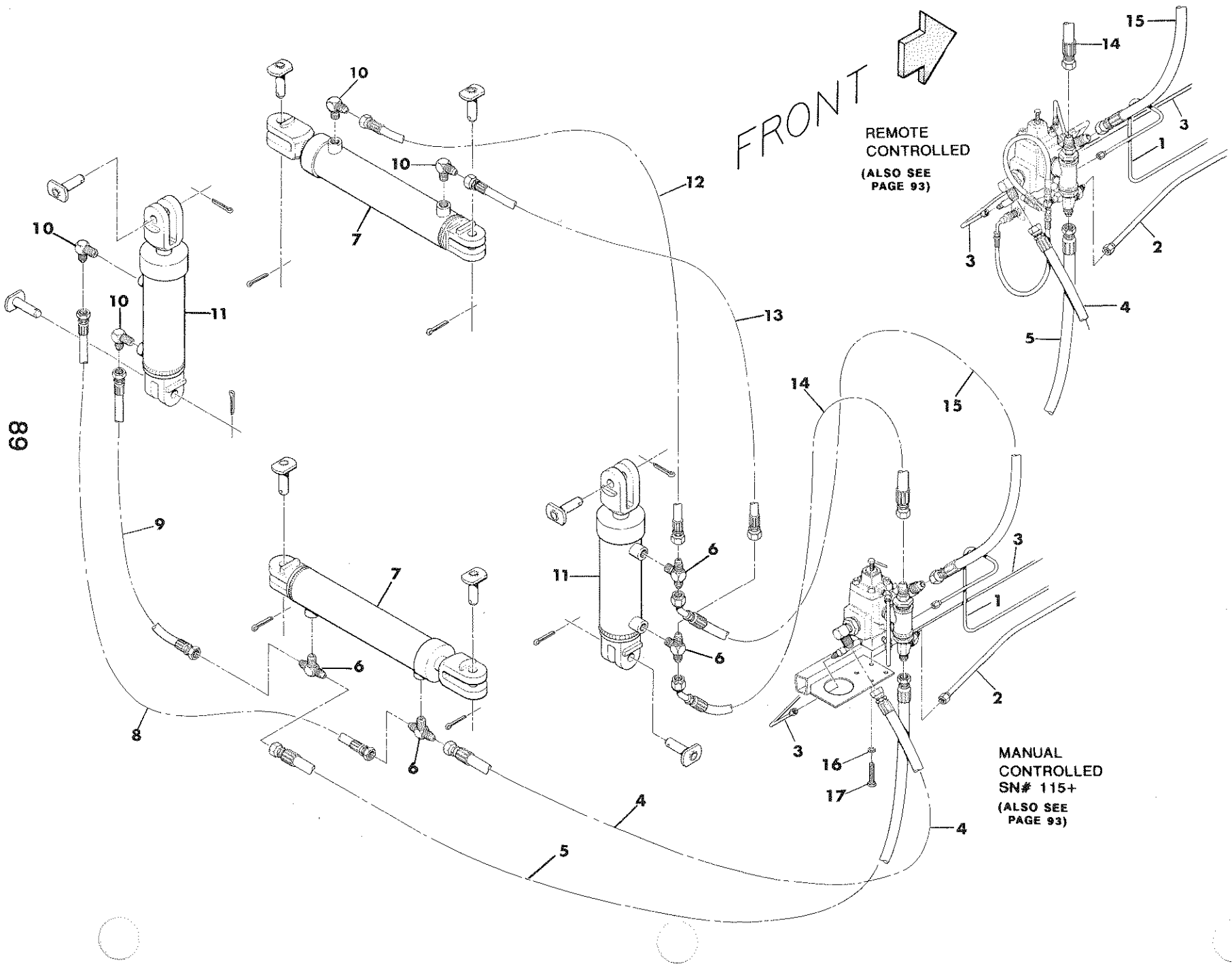
REF NO.	PART NO.	DESCRIPTION	QTY. USED
1	HOS0015874	PLUNGER CYLINDER HOSE	1
2	HOS0016624	HOSE-VALVE MANIFOLD PILOT	1
3	HOS0015877	PLUNGER CYLINDER HOSE	1
4	HOS0015875	PLUNGER CYLINDER HOSE	1
5	HOS0015798	VALVE MANIFOLD PRESSURE HOSE	1
6	HOS0015797	VALVE PRESSURE HOSE	1
7	HOS0016650	FEEDER CRANK MOTOR RETURN HOSE	1
8	HOS0021436	FEEDER MOTOR TOP HOSE	1
9	HOS0021435	FEEDER MOTOR BOTTOM HOSE	1
10	HOS0023451	LEFT MAKE-UP CYLINDER HOSE	1
11	HOS0023452	RIGHT MAKE-UP CYLINDER HOSE	1
12	HOS0023453	MAKE-UP CYLINDER RETURN HOSE	1
13	HOS0023455	FEED MOTOR CASE DRAIN HOSE	1
14	HOS0023438	FEED FORK MOTOR HOSE	2
15	HOS0023435	FEED KNOTTER MANIFOLD RETN HSE	1
16	HOS0016631	HOSE-KNOTTER DRIVE	2

TENSION CONTROL VALVES



(ALSO SEE PAGES 89, 91, 92 AND 93)

REF NO.	PART NO.	DESCRIPTION	QTY. USED	REF NO.	PART NO.	DESCRIPTION	QTY. USED
1	HOS0016655	HOSE-TENS. CONTROL PRESSURE	1	27	TBE0023718	FRT TENSION PRESSURE TUBE	1
2	HYD5129020	1/4" JIC CAP	2	28	HYD3759020	1/4 NPT STEEL MALE RUN TEE	1
3	HYD5105040	1/2" 3-PIECE NUT	1	29	VLV0002005	1/2" BALL VALVE	1
4	HYD5015042	1/2 TO 1/4 JIC TUBE REDUCER	1	30	HYD3069040	1/2" NPT STEEL HEX NIPPLE	1
5	HYD5716040	1/2 JIC X 1/2 O-RING RUN TEE	1	31	HYD3159020	1/4 HEX HEAD STEEL PIPE PLUG	2
6	SCC0010007	1/4 X 2-1/4 NC HT CS - PLATED	2	32	HYD0011086	1/2TO3/8 PIPE ADAPTER FLODAR	1
7	SCC0030018	3/8 X 6 NC HT CS - PLATED	1	33	VLV0000708	1/2" CHECK VALVE	1
8	VLV0015004	BYPASS VALVE BODY	1	34	HYD3709040	1/2 STEEL FEMALE PIPE TEE	1
9	F 0000169	COMPRESSION SPRING	1	35	HYD5755050	5/8 JIC X 1/2 NPT MALE RUN TEE	1
10	VLV0015005	SPOOL SPRING GUIDE	1	36	TBE0023717	FRONT TENSION RETURN TUBE	1
11	HYD3249044	1/2 O-RING X 1/2 NPT MALE ADAP	2	37	TBE0023711	TENS SOLENOID BY-PASS TBE	1
12	VLV5081812	SOL.VLV & CART. FOR TNS. CTRL	1	38	HOS0023454	TENSION VALVE RETURN HOSE	1
13	SOL0320617	SOLENOID F/ VLV5081812	1	39	F 0006673	3/8 JIC X 1/2 NPT 90* MALE ELB	1
14	VLV5081812	VALVE CARTRIDGE F/ VLV5081812	1	40	HYD3269044	1/2 O-RING X 1/2 NPT FEM ADAPT	1
15	VLV0022295	TENSION SOLENOID VLV BODY	1	41	SCC0030001	3/8 X 3/4 NC HT CS - PLATED	1
16	HRN0023529	HARN TEN CNTL TO RELIEF SOL VL	1	42	MNT0023389	TENSION CONTROL VALVE MNT	1
17	HYD7629040	1/2" DIAMETER O-RING	1	43	SMS0000172	1/4 X 3/4 NC WHIZ BOLT-PLATED	2
18	TBE0023712	TENSION VALVE BY-PASS TBE	1	44	WLR0000375	3/8" LOCKWASHER - PLATED	2
19	VLV0000027	RELIEF VALVE-2150#-STEEL BOD	1	45	F 0006989	3/8 JIC X 1/2 O-RNG ST THD CONN	1
20	HYD3109042	1/2 X 1/4 STEEL PIPE BUSHING	1	46	HYD3169005	1/16 SOCKET HD STEEL PIPE PLUG	3
21	HYD3759020	1/4 NPT STEEL MALE RUN TEE	1	47	WCT0000250	1/4" FLATWASHER - PLATED	8
22	FT 0000220	3/8 JIC X 1/4 NPT MALE BR TEE	1	48	WLR0000250	1/4" LOCKWASHER - PLATED	2
23	FT 0000219	3/8 JIC X 1/4 NPT MALE CONN	1	49	NCH0000250	1/4" NC HEX NUT - PLATED	2
24	HOS0023455	FEED MOTOR CASE DRAIN HOSE	1	50	SPC0023388	TENS CNTL VLV MNT SPACER	1
25	HYD5205022	1/4 JIC X 1/4 NPT MALE CONN	1	51	WCT0000375	3/8" FLATWASHER - PLATED	1
26	F 0006638	3/8 JIC X 1/4 NPT 90* MALE ELB	1	52	NCH0000375	3/8" NC HEX NUT - PLATED	1



TENSION UNLOADER VALVE AND TENSION CYLINDERS PLUMBING

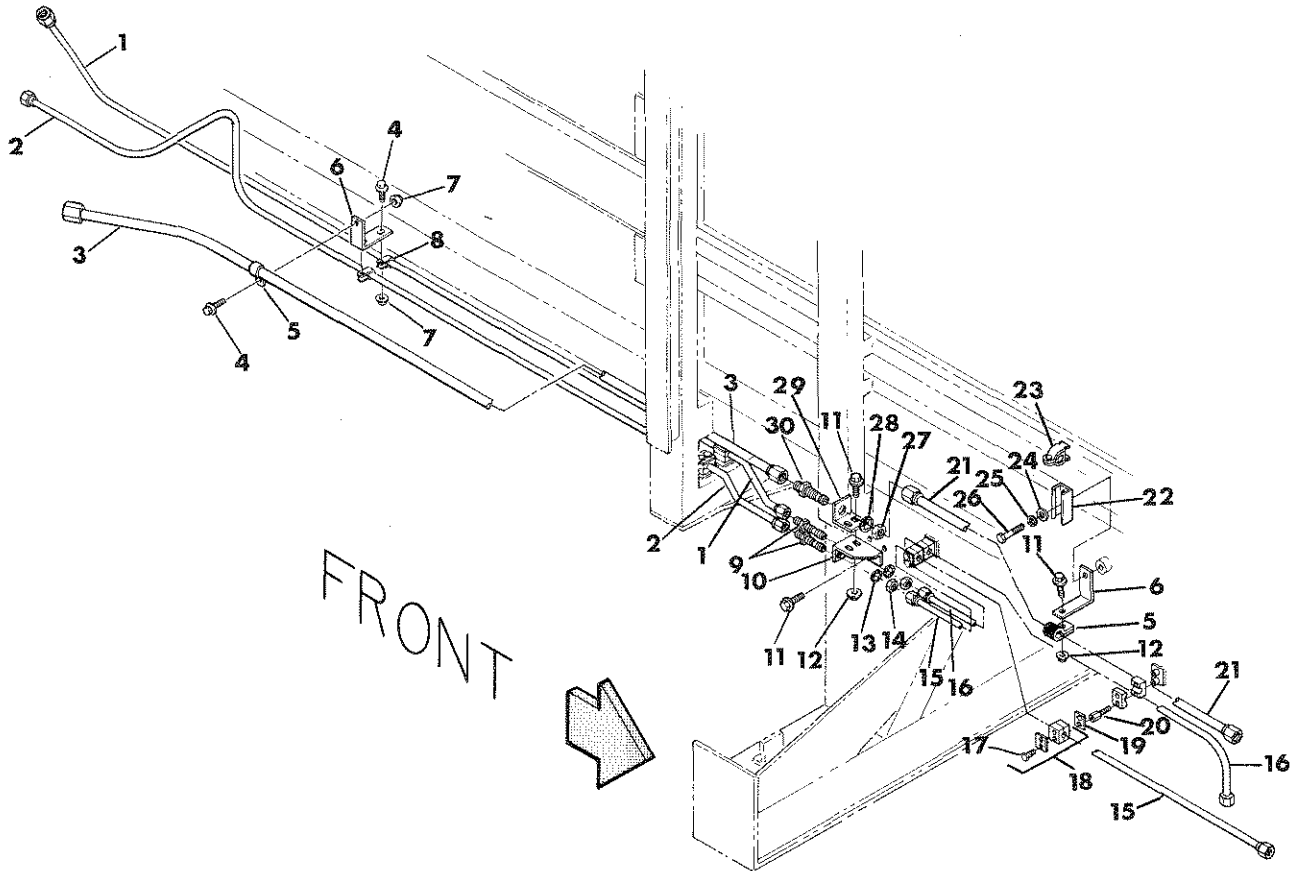
REMOTE CONTROLLED
(ALSO SEE PAGE 93)

MANUAL CONTROLLED
SN# 115+
(ALSO SEE PAGE 93)

TENSION UNLOADER VALVE AND TENSION CYLINDERS PLUMBING

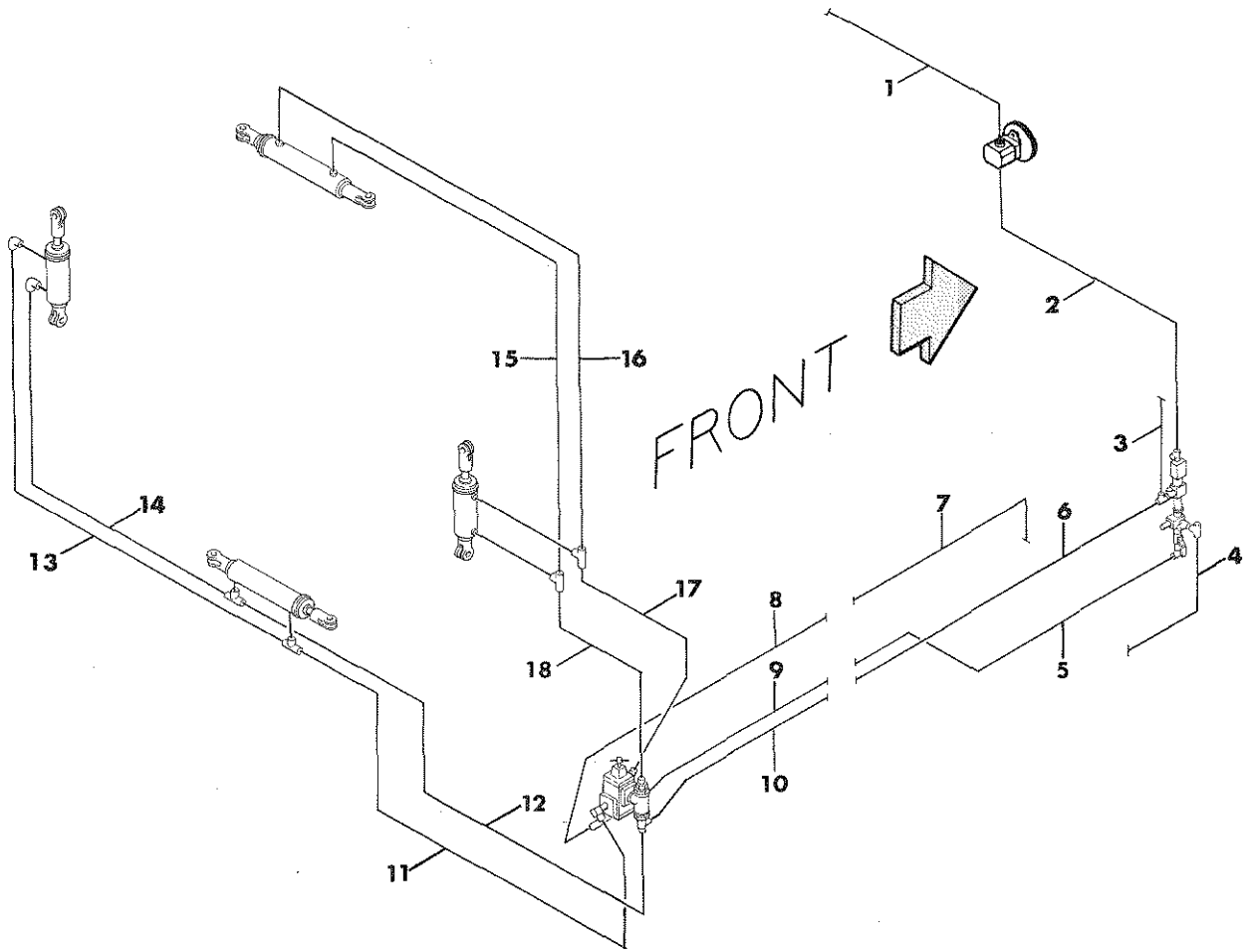
REF NO.	PART NO.	DESCRIPTION	QTY. USED
1	TBE0023714	REAR TENSION PRESSURE TBE	1
2	TBE0023715	REAR TENSION RETURN TUBE	1
3	TBE0023716	REAR TENSION PILOT TUBE	1
4	HOS0023467	TENSION CYLINDER HOSE	1
5	HOS0023466	TENSION CYLINDER HOSE	1
6	HYD5605060	3/4 JIC X 3/4 NPT MALE BR TEE	4
7	CYL0TC3516	TC3.5 X 16 HYD CYL - MODIFIED	2
8	HOS0020947	TENSION CYLINDER HOSE	1
9	HOS0020948	TENSION CYLINDER HOSE	1
10	HYD5405060	3/4 JIC X 3/4 NPT 90* MALE ELB	4
11	CYL00TC408	TC4 X 8 HYD CYL - MODIFIED	2
12	HOS0015761	TNSN CONTROL CYL. HOSE 49-1/2"	1
13	HOS0015762	TNSN CONTROL CYL. HOSE- 42"	1
14	HOS0023464	TENSION CYLINDER HOSE	1
15	HOS0023465	TENSION CYLINDER HOSE	1
16	WLKM100120	12 MM LOCKWASHER - PLATED	2
17	SCCM112065	12M X 65M MC HEX HD CS-PLT-8.8	2

TENSION CONTROL TUBES



REF NO.	PART NO.	DESCRIPTION	QTY. USED
1	TBE0023716	REAR TENSION PILOT TUBE	1
2	TBE0023714	REAR TENSION PRESSURE TUBE	1
3	TBE0023715	REAR TENSION RETURN TUBE	1
4	SMS0000172	1/4 X 3/4 NC WHIZ BOLT-PLATED	3
5	CLP7701158	5/8 INSULATED HOSE CLAMP	2
6	BKT0016582	TENSION RET. TUBE ANCHOR BKT	2
7	NMS0000250	1/4" NC WHIZ NUT - PLATED	2
8	CLP7701154	3/8" INSULATED HOSE CLAMP	2
9	HYD5325030	3/8 JIC BULKHEAD UNION	2
10	BKT0018160	BULKHEAD BRACKET	1
11	SMS0000184	5/16 X 3/4 NC WHIZ BOLT-PLATED	5
12	NMS0000117	5/16 NC WHIZ NUT - PLATED	3
13	WIS00005625	9/16 INTERNAL STAR WASHER-PLT	2
14	HYD5924030	3/8" BULKHEAD NUT	2
15	TBE0023718	FRONT TENSION PRESSURE TUBE	1
16	TBE0023719	FRONT TENSION PILOT TUBE	1
17	SCC0010003	1/4 X 1-1/4 NC HT CS - PLATED	8
18	CLP6010951	TUBE CLAMP	6
19	PLT10951SP	SAFETY PLATE	2
20	SMS10951SB	STACK BOLT	4
21	TBE0023717	FRONT TENSION RETURN TUBE	1
22	MNT0020255	HOSE CLAMP MOUNT CHANNEL	1
23	CLP0100150	1-1/2 HYDRA ZORB HOSE CLAMP	1
24	WCT0000375	3/8" FLATWASHER - PLATED	1
25	WLK0000375	3/8" LOCKWASHER - PLATED	1
26	SCC0030002	3/8 X 1 NC HT CS - PLATED	1
27	HYD5924050	5/8" BULKHEAD NUT	1
28	WIS0007500	3/4 INTERNAL STAR WASHER-PLT	1
29	BKT0018013	BULKHEAD BRACKET	1
30	HYD5325050	5/8 JIC BULKHEAD UNION	1

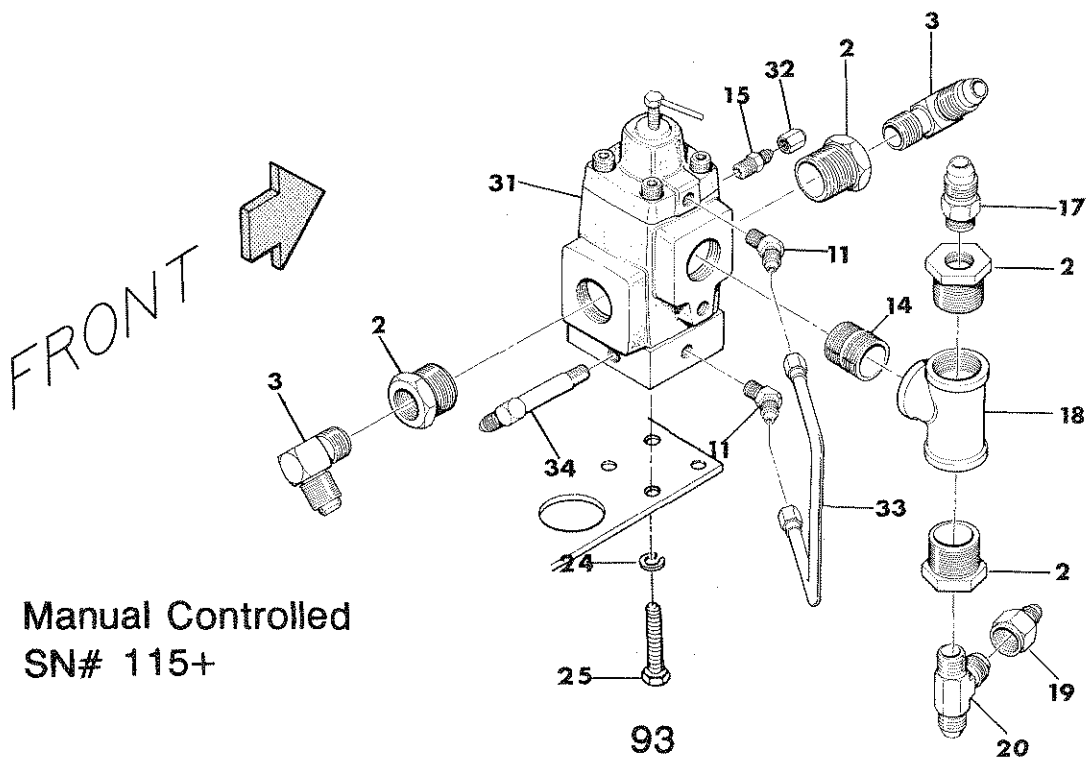
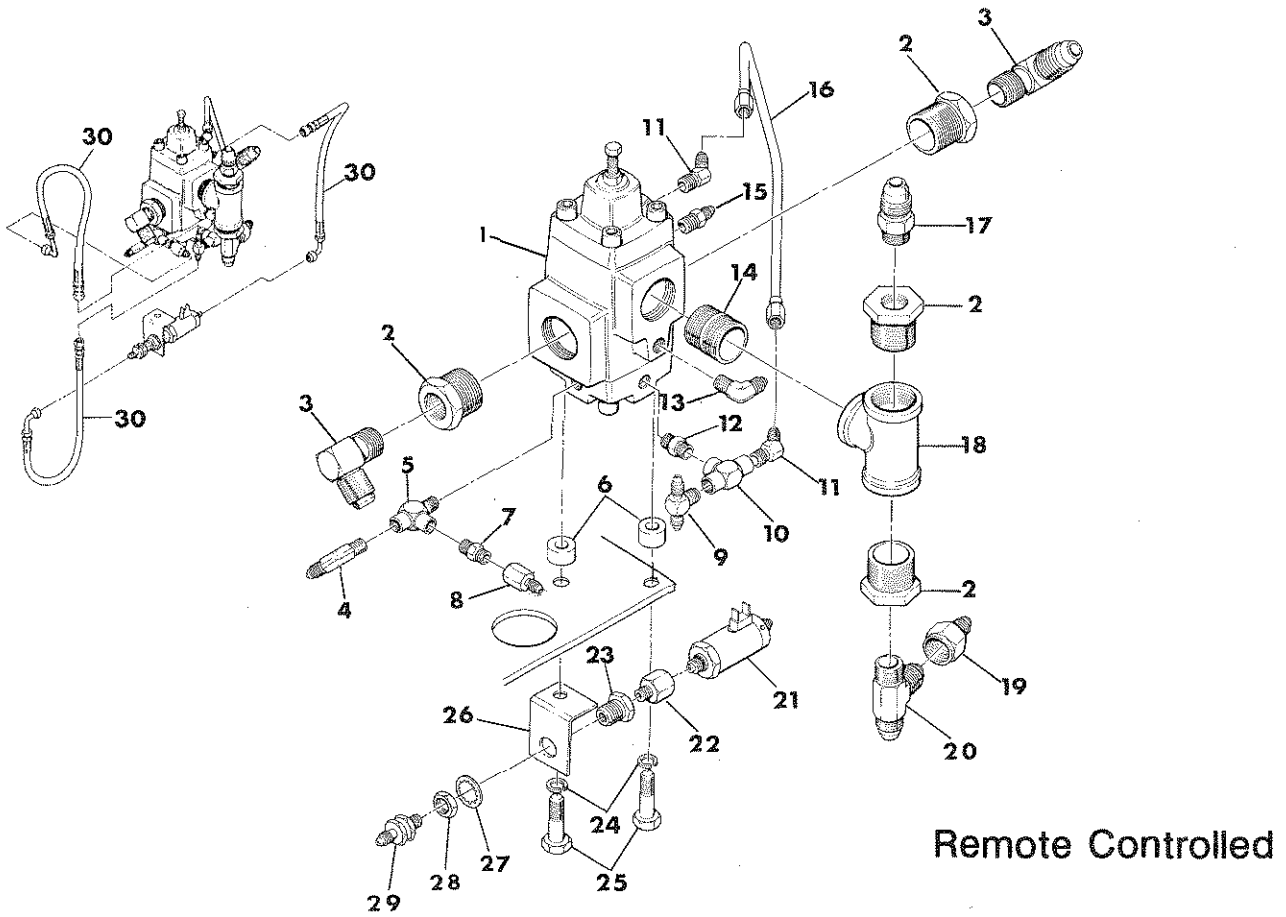
TENSION SYSTEM HOSES



REF NO.	PART NO.	DESCRIPTION	QTY. USED
1	HOS0023493	SUCTION HOSE	1
2	HOS0016655	HOSE-TENS. CONTROL PRESSURE	1
3	HOS0023454	TENSION VALVE RETURN HOSE	1
4	HOS0023455	FEED MOTOR CASE DRAIN HOSE	1
5	TBE0023718	FRONT TENSION PRESSURE TUBE	1
6	TBE0023717	FRONT TENSION RETURN TUBE	1
7	TBE0023719	FRONT TENSION PILOT TUBE	1
8	TBE0023716	REAR TENSION PILOT TUBE	1
9	TBE0023714	REAR TENSION PRESSURE TUBE	1
10	TBE0023715	REAR TENSION RETURN TUBE	1
11	HOS0023467	TENSION CYLINDER HOSE	1
12	HOS0023466	TENSION CYLINDER HOSE	1
13	HOS0020947	TENSION CYLINDER HOSE	1
14	HOS0020948	TENSION CYLINDER HOSE	1
15	HOS0015762	TENSION CONTROL CYLINDER HOSE	1
16	HOS0015761	TENSION CONTROL CYLINDER HOSE	1
17	HOS0023465	TENSION CYLINDER HOSE	1
18	HOS0023464	TENSION CYLINDER HOSE	1

TENSION UNLOADER VALVE

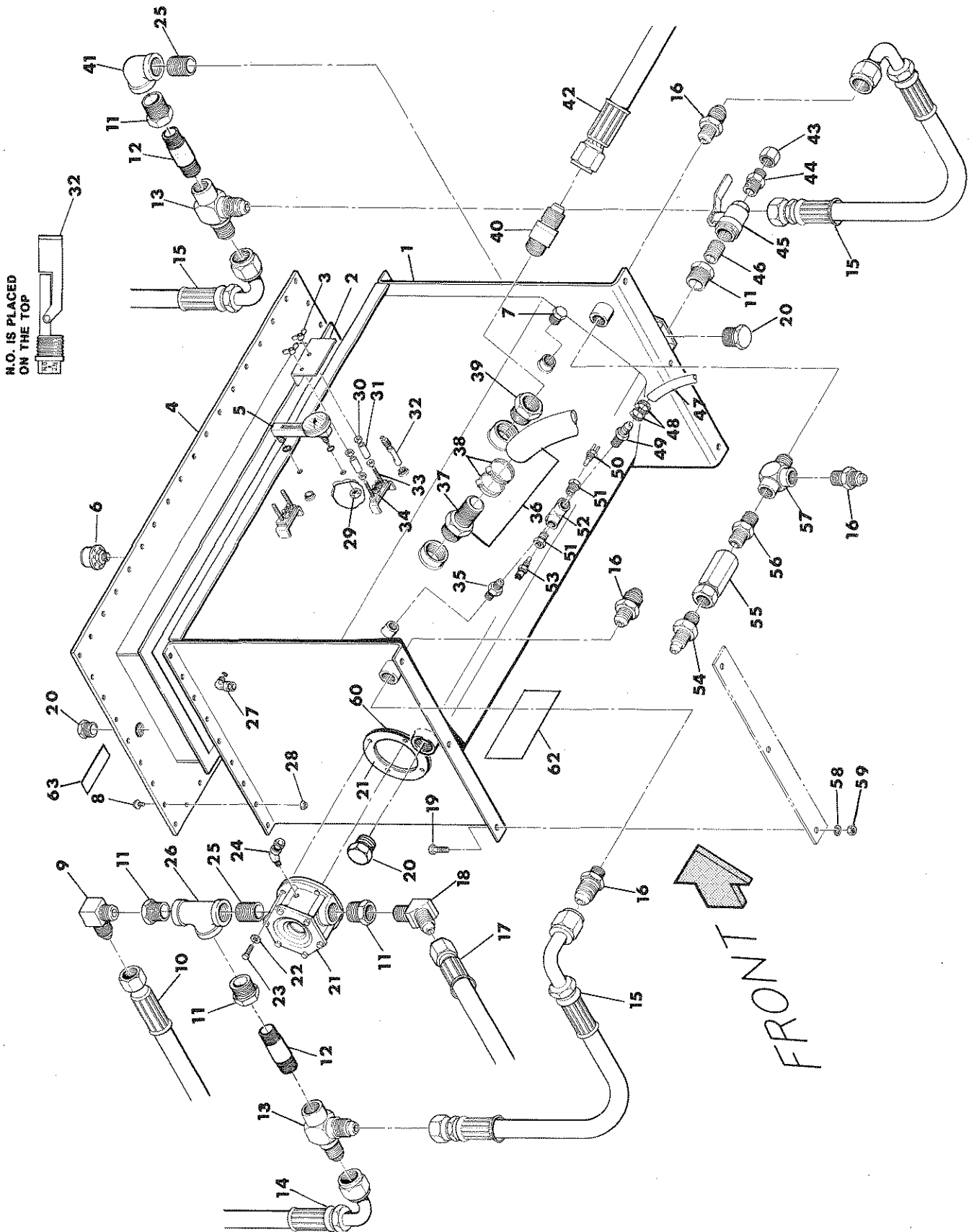
(ALSO SEE PAGES 89 AND 130)



TENSION UNLOADER VALVE

REF NO.	PART NO.	DESCRIPTION	QTY. USED
1	VLV0000104	UNLOADER VALVE-HT10C4	1
2	HYD3109086	1-1/4 X 3/4 STEEL PIPE BUSHING	4
3	HYD5405060	3/4 JIC X 3/4 NPT 90* MALE ELB	2
4	F 0006638	3/8 JIC X 1/4 NPT 90* MALE ELB	1
5	HYD5405020	1/4 JIC X 1/8 NPT 90* MALE ELB	1
6	SPC0022894	TENS UNLOADER VLV MNT SPACER	2
7	HYD0010017	1/4" TYPE E-17 ORIFICE-STNLS	1
8	HYD5255022	1/4 JIC X 1/4 NPT FEMALE CONN	1
9	HYD5605022	1/4 JIC X 1/4 NPT MALE BR TEE	1
10	HYD3709020	1/4 STEEL FEMALE PIPE TEE	1
11	HYD5355030	3/8 JIC X 1/4 NPT 45* MALE ELB	2
12	HYD3069020	1/4 NPT STEEL HEX NIPPLE	1
13	HYD5405050	5/8 JIC X 1/2 NPT 90* MALE ELB	1
14	PPE1252500	1-1/4X2-1/2 STD BLK PIPE NIPPL	1
15	FT 0000219	3/8 JIC X 1/4 NPT MALE CONN	1
16	TBEO023704	TENS UNLOADER VLV TRANSFER TBE	1
17	HYD5205060	3/4 JIC X 3/4 NPT MALE CONN	1
18	PPE0041250	1-1/4 STD BLK PIPE TEE	1
19	HYD5015065	3/4 TO 5/8 JIC TUBE REDUCER	1
20	HYD5755060	3/4 JIC X 3/4 NPT MALE RUN TEE	1
21	VLV3001200	RELIEF VALVE	1
22	HYD3239032	3/8 ST THD X 1/4 NPT MALE ADAP	1
23	FT 0000549	1/4" BULKHEAD FITTING	1
24	WLKM100120	12 MM LOCKWASHER - PLATED	2
25	SCCM112065	12M X 65M MC HEX HD CS-PLT-8.8	2
26	BKT0023390	TENS SOLENOID RELIEF VLV BKT	2
27	WIS0007500	3/4 INTERNAL STAR WASHER-PLT	1
28	HYD5924060	3/4" BULKHEAD NUT	1
29	FIL0421042	HYDRAULIC FILTER- 10 MICRON	1
30	HOS0023434	TENSION UNLOADER VLV HOSE	3
31	VLV0104000	MANUAL TENSION UNLOADER VALVE	1
32	HYD5129030	3/8" JIC CAP	1
33	TBEO024088	TENS UNLOADER VLV TRANSF TUBE	1
34	HYD2501L65	3/8 JIC X1/4 PIP 90*XXL ML ELB	1

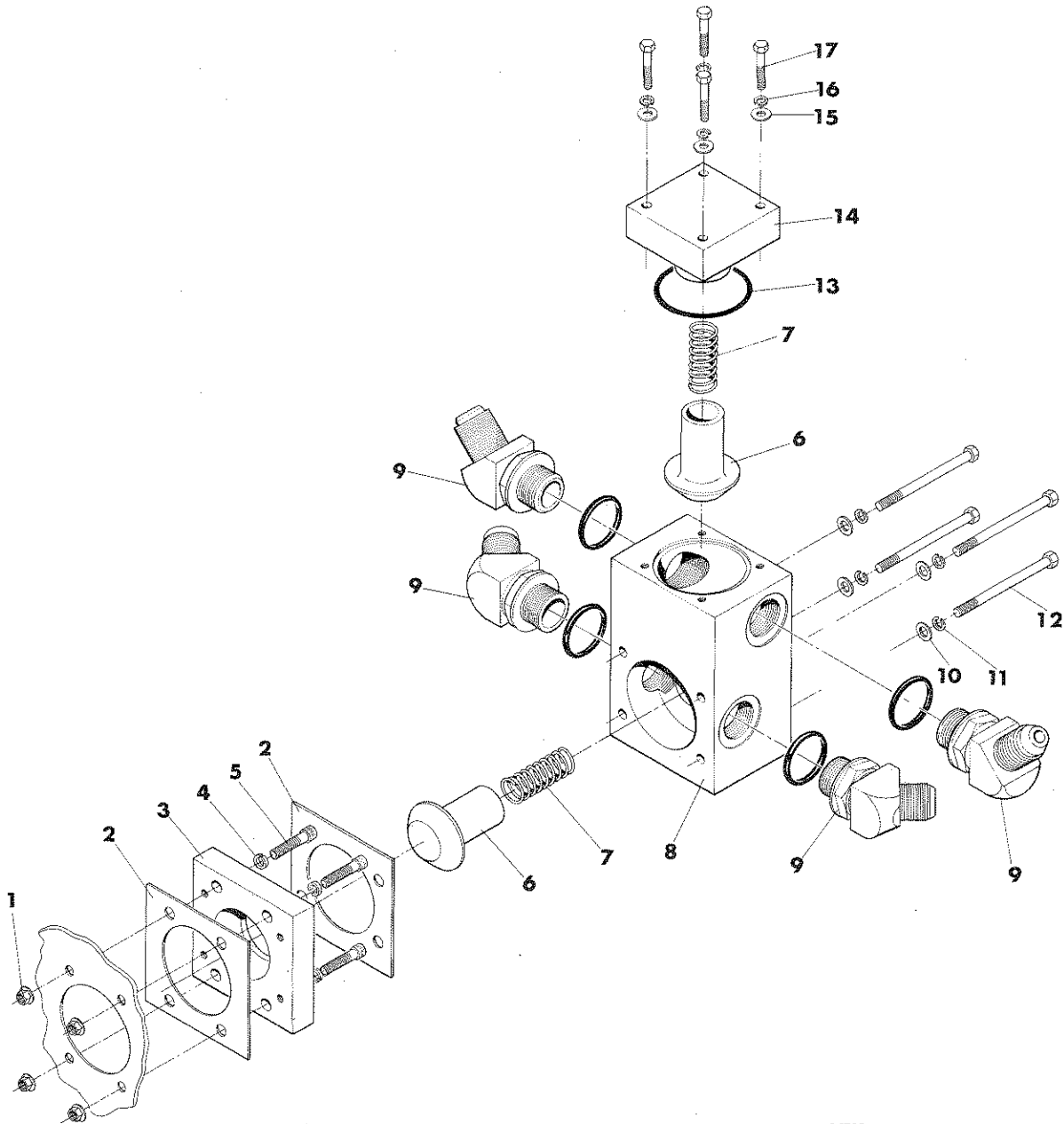
HYDRAULIC OIL TANK



HYDRAULIC OIL TANK

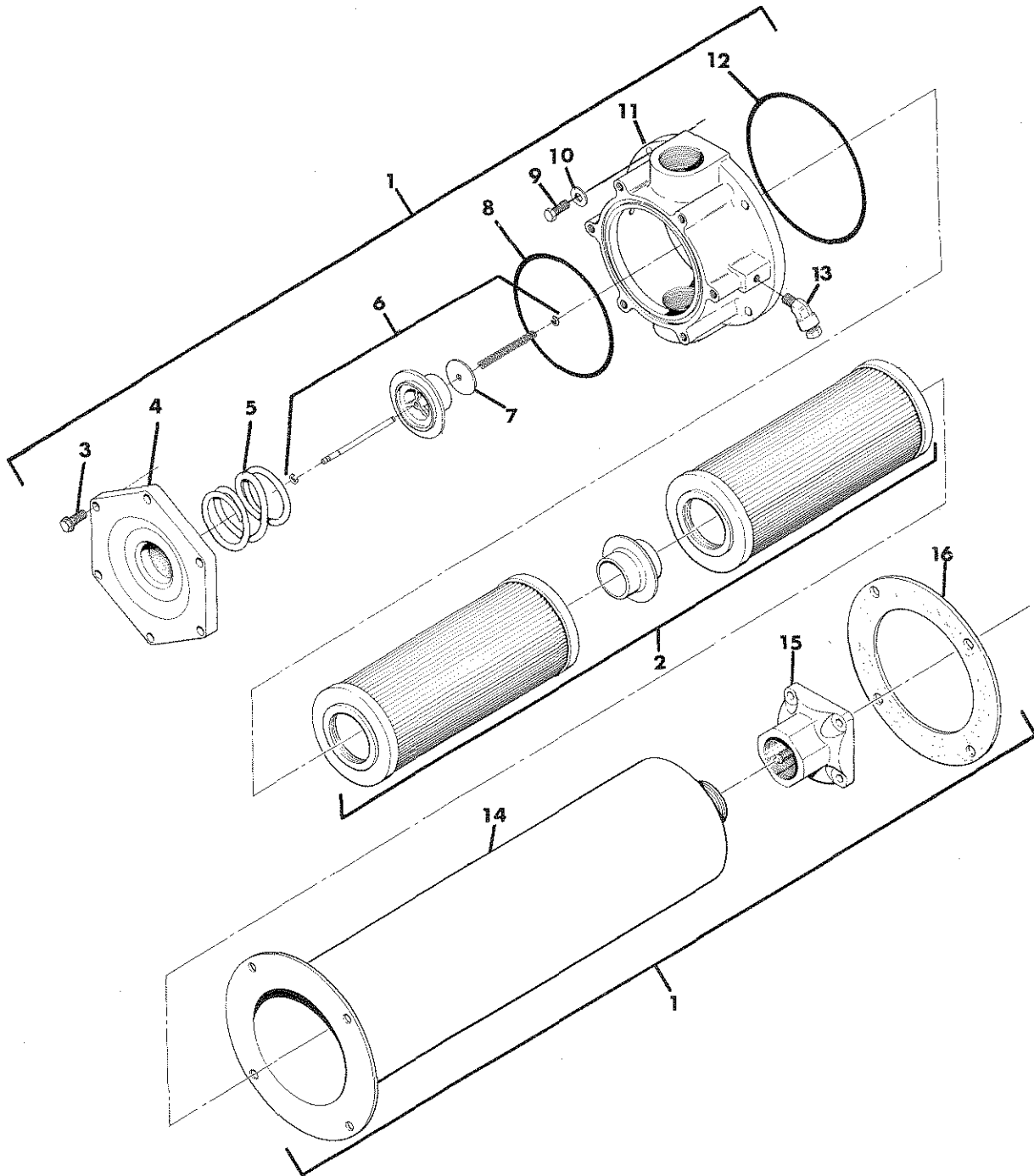
REF NO.	PART NO.	DESCRIPTION	QTY. USED
1	TNKO023075	HYDRAULIC TANK	1
2	SHDO020860	SHIELD-JB6-OIL LEVEL	2
3	NCWO103200	10-32 NF WING NUT - PLATED	4
4	TNKO015455	HYDRAULIC TANK COVER	1
5	GAGO064051	GAUGE W/STEEL DIAL THERMOMETER	1
6	FIL1731101	BREATHER FILTER -HYD TANK	1
7	HYD3159060	3/4 HEX HEAD STEEL PIPE PLUG	1
8	SMS0000177	5/16 X 1 NC WHIZ BOLT-PLATED	50
9	HYD5405060	3/4 JIC X 3/4 NPT 90* MALE ELB	1
10	HOSO023435	FEED KNOTTER MANIFOLD RETN HSE	1
11	HYD3109097	1-1/2 X 1 STEEL PIPE BUSHING	5
12	PPE1000350	1 X 3-1/2 XH BLK PIPE NIPPLE	2
13	HYD5805080	1" JIC X 1" NPT FEM RUN TEE	2
14	HOSO016637	HOSE - ACCUMULATOR DISCHARGE	1
15	HOSO023439	TANK FILTER HOSES	3
16	HYD5205070	1" JIC X 1" NPT MALE CONN	4
17	HOSO023454	TENSION VALVE RETURN HOSE	1
18	HYD5355080	1 JIC X 1 NPT 45* MALE ELB	1
19	SCCO050004	1/2 X 1-1/2 NC HT CS - PLATED	6
20	HYD3159022	1-1/2 HEX HEAD STEEL PIPE PLUG	3
21	FIL0121525	FILTER HOLDER RF-1215-D-25-MPI	2
22	WASO093781	THREAD SEALING WASHER	8
23	SCCO030004	3/8 X 1-1/2 NC HT CS - PLATED	8
24	HYDO940402	45* MALE ELBOW	1
25	PPE0015000	1-1/2 XCLO XH BLK PIPE NIPPLE	2
26	PPE0041500	1-1/2 STD BLK PIPE TEE	1
27	F 0001441	1/4 X 1/8 90* ELBOW	1
28	NMS0000117	5/16 NC WHIZ NUT - PLATED	50
29	NFH0000500	1/2" NF HEX NUT - PLATED	2
30	NFH0001032	10-32 NF HEX NUT - PLATED	12
31	11-262	1" SPACER FOR JUNCTION BLOCK	4
32	SWIO000090	LIQUID LEVEL SWITCH	2
33	STDO017449	CONTROL PANEL MOUNTING STUD	4
34	TEBO472102	2 POST TERMINAL BLOCK	2
35	HYD3069060	3/4 NPT STEEL HEX NIPPLE	1
36	HOSO023493	FEEDER PUMP SUCTION HOSE	1
37	HYDO080026	2" MALE COUPLING (80026)	1
38	CLPO000106	CLMP 4-4537	2
39	PPE2001500	2 X1-1/2 STD BLK HEX BUSH	1
40	HYD5355121	1-1/2JIC X 1-1/2NPT 45* MAL EL	1
41	PPE0150900	1-1/2 90* STD BLK PIPE ELBOW	1
42	HOSO023488	SUNDSTRAND PUMP SUCTION HOSE	1
43	HYD5129060	3/4" JIC CAP	1
44	F 0006675	3/4 JIC X 1" NPT MALE CONN	1
45	VLV0006001	1" BALL VALVE BRASS - WATTS	1
46	PPE0001000	1 XCLO STD BLK PIPE NIPPLE	1
47	HOSO023493	FEEDER PUMP SUCTION HOSE	1
48	F 0006830	HOSE CLAMP	2
49	HYD1200112	3/4 HOS X 3/4 NPT MALE HOS END	1
50	THMO018054	22OF.TEMP.WIRING HARNESS	1
51	HYD3109063	3/4 X 3/8 STEEL PIPE BUSHING	2
52	HYD3959060	3/4 STEEL PIPE CROSS	1
53	ELCO000334	TEMP SENDING UNIT	1
54	HYD5205086	1" JIC X 3/4 NPT MALE CONN	1
55	VLV0075005	3/4" X 5 LB CHECK VALVE	1
56	HYD3069071	1 X 3/4 NPT STEEL HEX NIPPLE	1
57	HYD3759080	1" NPT STEEL MALE RUN TEE	1
58	WLK0000500	1/2" LOCKWASHER - PLATED	6
59	NCH0000500	1/2" NC HEX NUT - PLATED	6
60	GSK0000RS4	VELLUMOID GASKET "RF" SERIES	2
62	FD 000049E	DECAL - EUROPEAN VERSION	1
62	FD 0023574	"DANGER!KEEP AWAY FROM OPEN.."	1
63	FD 0018808	HYDRAULIC FLUID DECAL	1

MAKE-UP CYLINDER CHECK VALVE



REF NO.	PART NO.	DESCRIPTION	QTY. USED
1	NMS0000117	5/16 NC WHIZ NUT - PLATED	4
2	GSK0020085	CHECK VALVE HOUSING GASKET	2
3	VLV0020054	TNK FILTER CHECK VALVE SUB-PLT	1
4	WAS0000313	5/16 HIGH COLLAR WASHER	4
5	SCS0000203	5/16 X 1-1/4 NC SOCKET HEAD CS	4
6	VLV0020053	TNK FILTER CHECK VALVE POPPET	2
7	SPG0015376	CHECK VALVE SPRING	2
8	VLV0020051	TNK FILTER CHECK VALVE HOUSING	1
9	HYD5365080	1" JIC X 1" O-RING 45* ELBOW	4
10	WCT0000313	5/16" FLATWASHER - PLATED	4
11	WLK0000313	5/16" LOCKWASHER - PLATED	4
12	SCC0020011	5/16 X 3-3/4 NC HT CS - PLATED	4
13	RNG0002037	O-RING V894-90 VITON 90 DURO	1
14	VLV0020052	TNK FILTER CHK VLV POPPET SEAT	1
15	WCT0000250	1/4" FLATWASHER - PLATED	4
16	WLK0000250	1/4" LOCKWASHER - PLATED	4
17	SCC0010005	1/4 X 1-3/4 NC HT CS - PLATED	4

MAIN SYSTEM HYDRAULIC FILTERS

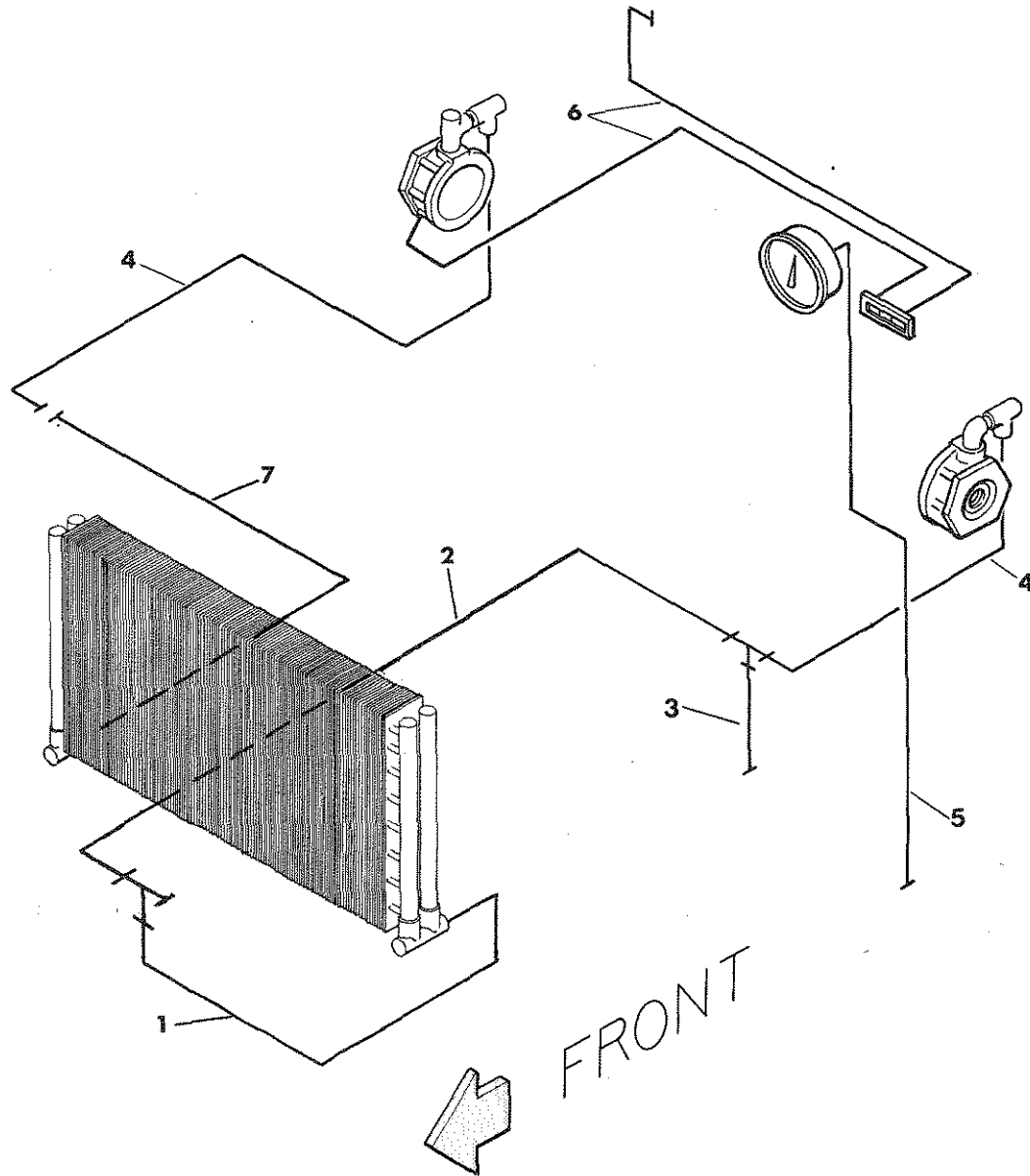


REF NO.	PART NO.	DESCRIPTION	QTY. USED
1	FIL0121525	FILTER HOLDER RF-1215-D-25-MPI	1
2	KIT0003000	FILTER KIT W/ELEMENT CONNECTOR	1
	FIL0001997	FILTER CONNECTOR - LF-1997	1
	FIL0003000	HYDRAULIC FILTER ELEMENT - KS3	
3	SMS0000177	5/16 X 1 NC WHIZ BOLT-PLATED	6
4	COV000RF03	HOUSING COVER	1
5	SPG000ORS1	HOLD SPRING	1
6	VLV000RF28	BY-PASS VALVE ASSEMBLY	1
7	WAS0020805	BYPASS POPPET WASHER	1
8	RNG000ORG2	O-RING SQUARE	1
9	SCC0030004	3/8 X 1-1/2 NC HT CS - PLATED	4
10	WAS0093781	THREAD SEALING WASHER	4
11	HSN000RF06	PORT CASTING RF-06	1
12	RNG000ORG3	O-RING SQUARE - RG-3	1
13	HYD0940402	45* MALE ELBOW	1
14	HSNORF9201	ELEMENT HOUSING RF-9201	1
15	VLV0001511	RETURN CHECK VALVE	1
16	GSK000ORS4	VELLUMOID GASKET "RF" SERIES	1

NOTES



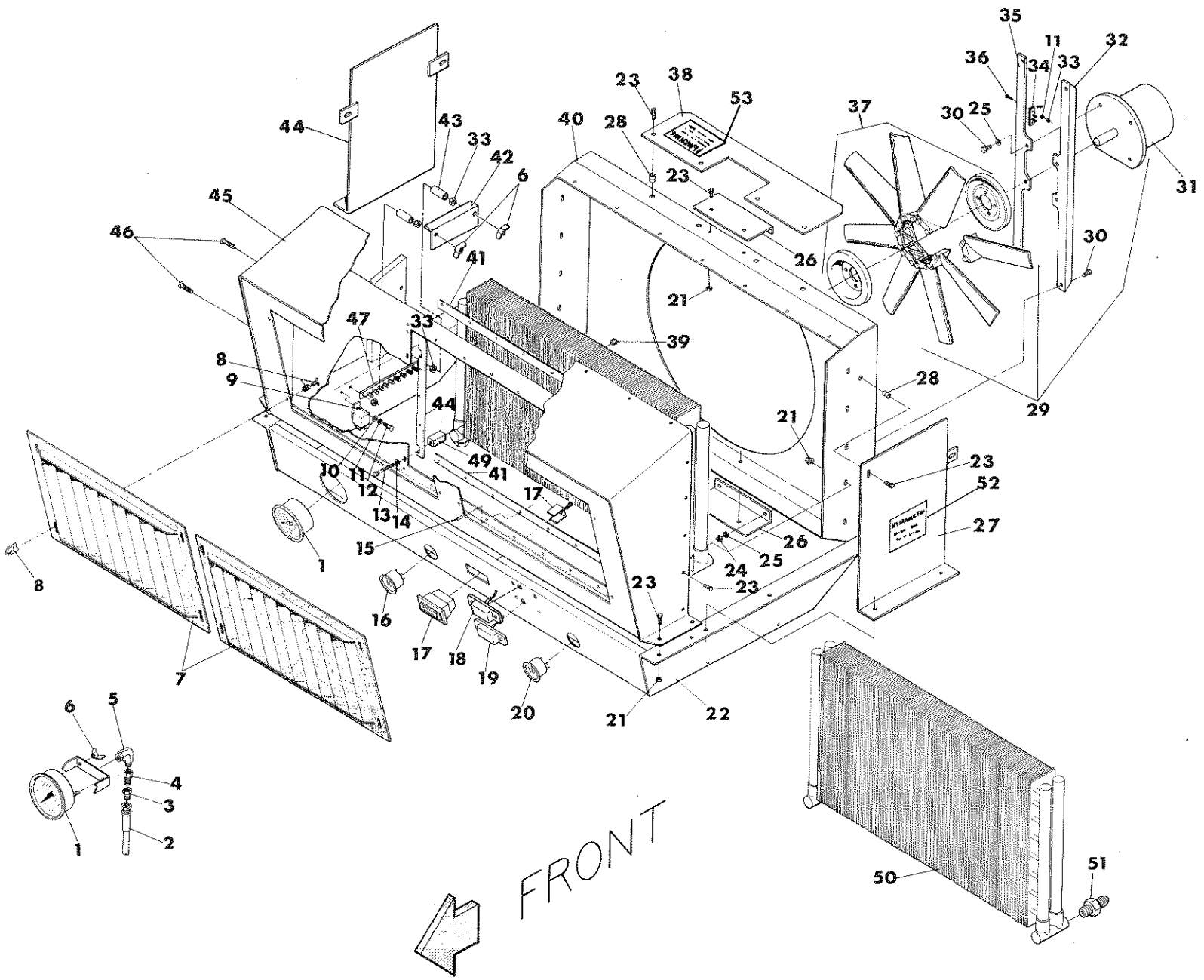
OIL COOLER AND GAUGE HOSES



REF NO.	PART NO.	DESCRIPTION	QTY. USED
1	HOS0023457	OIL COOLER SUPPLY HOSE	1
2	HOS0023435	FEED KNOTTER MANIFOLD RETN HSE	1
3	HOS0016650	FEEDER CRANK MOTOR RETURN HOSE	1
4	HOS0023439	TANK FILTER HOSE	2
5	HOS0017676	10M PRESSURE GAUGE HOSE	1
6	AO 0000312	5/16" FABRIC WIRE LOOM 76"	2
6	NYL0000250	1/4" NYLAFLOW TUBING 76"	2
7	HOS0023456	OIL COOLER RETURN HOSE	1

OIL COOLING SYSTEM AND GAUGE PANEL ASSEMBLY

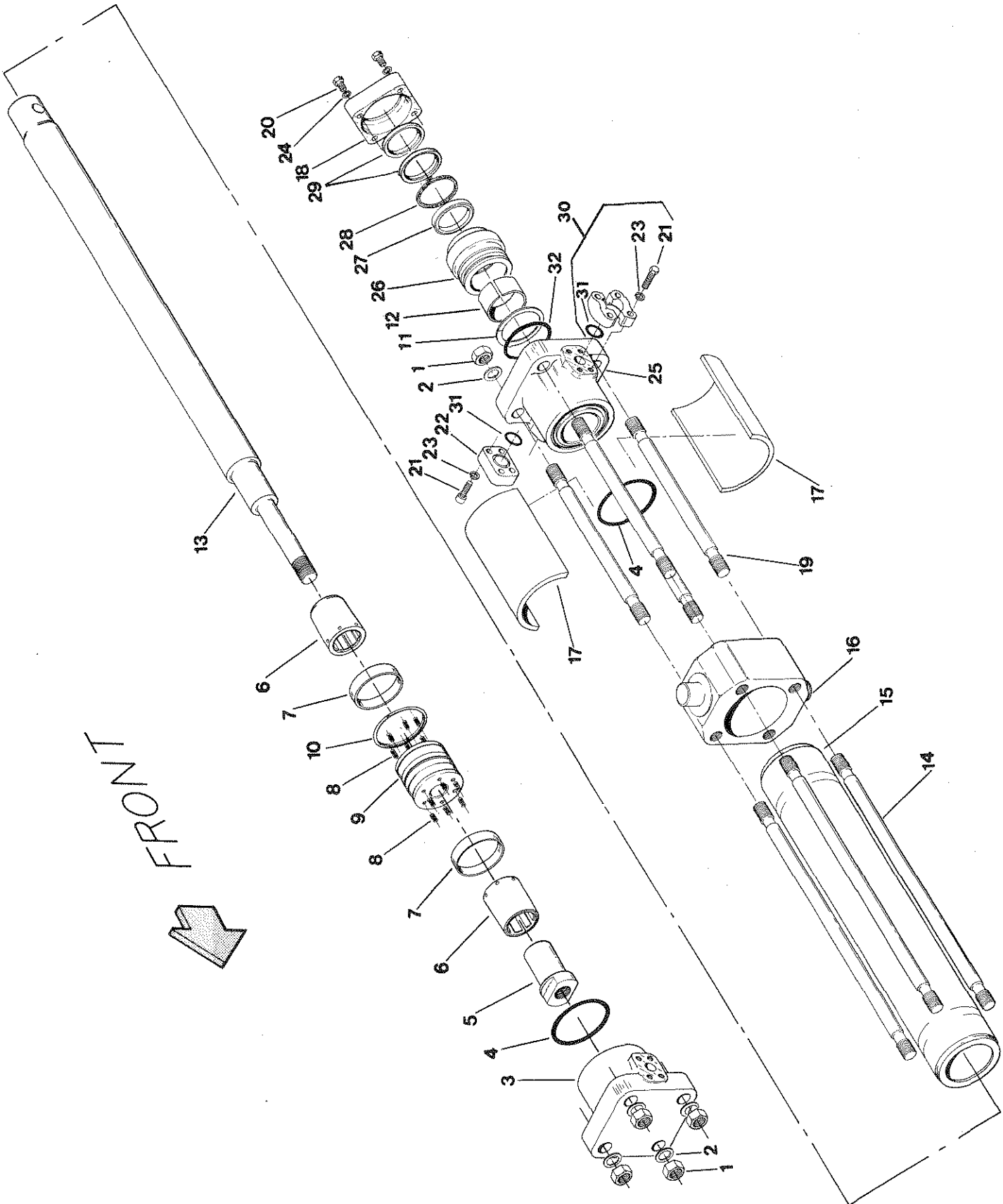
101



OIL COOLING SYSTEM AND GAUGE PANEL ASSEMBLY

REF NO.	PART NO.	DESCRIPTION	QTY. USED
1	GAG2335010	GAGE-LIQ.FILL HYD-10,00PSI-4"	1
2	HOS0017676	10M PRESSURE GAUGE HOSE	1
3	HYD5255022	1/4 JIC X 1/4 NPT FEMALE CONN	1
4	HYD0010000	PULSATION DAMPENER F/23350GAGE	1
5	HYD3409020	1/4 X 90* STEEL STREET ELBOW	1
6	NCW0103200	10-32 NF WING NUT - PLATED	4
7	GRL0023379	OIL COOLER GRILL	2
8	FST0010401	MED DUTY FOLDING HANDLE FASTNR	8
9	REL0000332	RELAY SPDT#0-332-204150	2
10	WCT0000100	#10 FLATWASHER - PLATED	2
11	WLK0000100	#10 LOCKWASHER - PLATED	6
12	SMR1032050	10-32X1/2 RH MACH SCREW	2
13	SCC0020007	5/16 X 2-1/4 NC HT CS - PLATED	4
14	WCT0000313	5/16" FLATWASHER - PLATED	4
15	RIV0000604	3/16X1/4 STAINLESS GRIP RIVET	26
16	GAG0082112	GAUGE-VOLTAGE METER 12V NEG	1
17	HYD0162037	REMOTE HYDRAULIC INDICATOR	1
18	LIT0023037	LOW OIL LEVEL LIGHT	1
19	LIT0018048	OVER TEMP.LIGHT W/WIRE/TERMIN.	1
20	GAG0082115	GAUGE-OIL TEMP 12VNEG 100-280F	1
21	NMS0000117	5/16 NC WHIZ NUT - PLATED	27
22	MNT0023349	OIL COOLER MOUNT	1
23	SMS0000184	5/16 X 3/4 NC WHIZ BOLT-PLATED	27
24	NCH0000313	5/16 NC HEX NUT - PLATED	4
25	WLK0000313	5/16" LOCKWASHER - PLATED	8
26	MNT0020946	OIL COOLER FAN MOUNT	2
27	SHD0023373	LEFT FAN SHIELD	1
28	ZZ 0000500	5/16 NC NUTSERT	5
29	FAN5002147	FAN & MOTOR ASSEMBLY	1
30	SCC0020001	5/16 X 3/4 NC HT CS - PLATED	8
31	MTR5000211	FAN MOTOR ONLY	1
32	SUP0233770	LEFT OIL CLR FAN MTR MNT	1
33	NFH0001032	10-32 NF HEX NUT - PLATED	6
34	TEB0472102	2 POST TERMINAL BLOCK	1
35	SUP0233771	RIGHT OIL CLR FAN MTR MNT	1
36	SMR1032750	10-32X3/4 RH MACH SCREW	2
37	FAN5000212	BLADE-21" F/FAN5000210	1
38	GRD0023386	OIL COOLER FAN GUARD	1
39	CLR0002353	TEE NUT-OIL COOLER MOUNT	4
40	SHR0023371	OIL COOLER FAN SHROUD	1
41	SPC0017429	HEAT EXCHANGER SPACER	2
42	SHD0020822	SHIELD-10 POST JUNC. BLK	1
43	11-262	1" SPACE F/JUNC BLOCK	2
44	SHD0023375	RIGHT FAN SHIELD	1
45	SHR0023365	OIL COOLER SHROUD	1
46	SMR1032175	10-32X1-3/4 RH MACH SCREW	3
47	TEB0472110	10 POST TERMINAL BLOCK	1
48	SPC0023370	HEAT EXCHANGER SPACER	2
49	CLR0002094	MOUNTING BLOCK-OIL COOLER	4
50	CLR21133S1	OIL COOLER	1
51	F 0006675	3/4 JIC X 1" NPT MALE CONN	2
52	FD 0018808	HYDRAULIC FLUID DECAL	1
53	FD 0023583	"WARNING!KEEP HANDS CLEAR..."	1
53	FD 0024082	DECAL - EUROPEAN VERSION	1

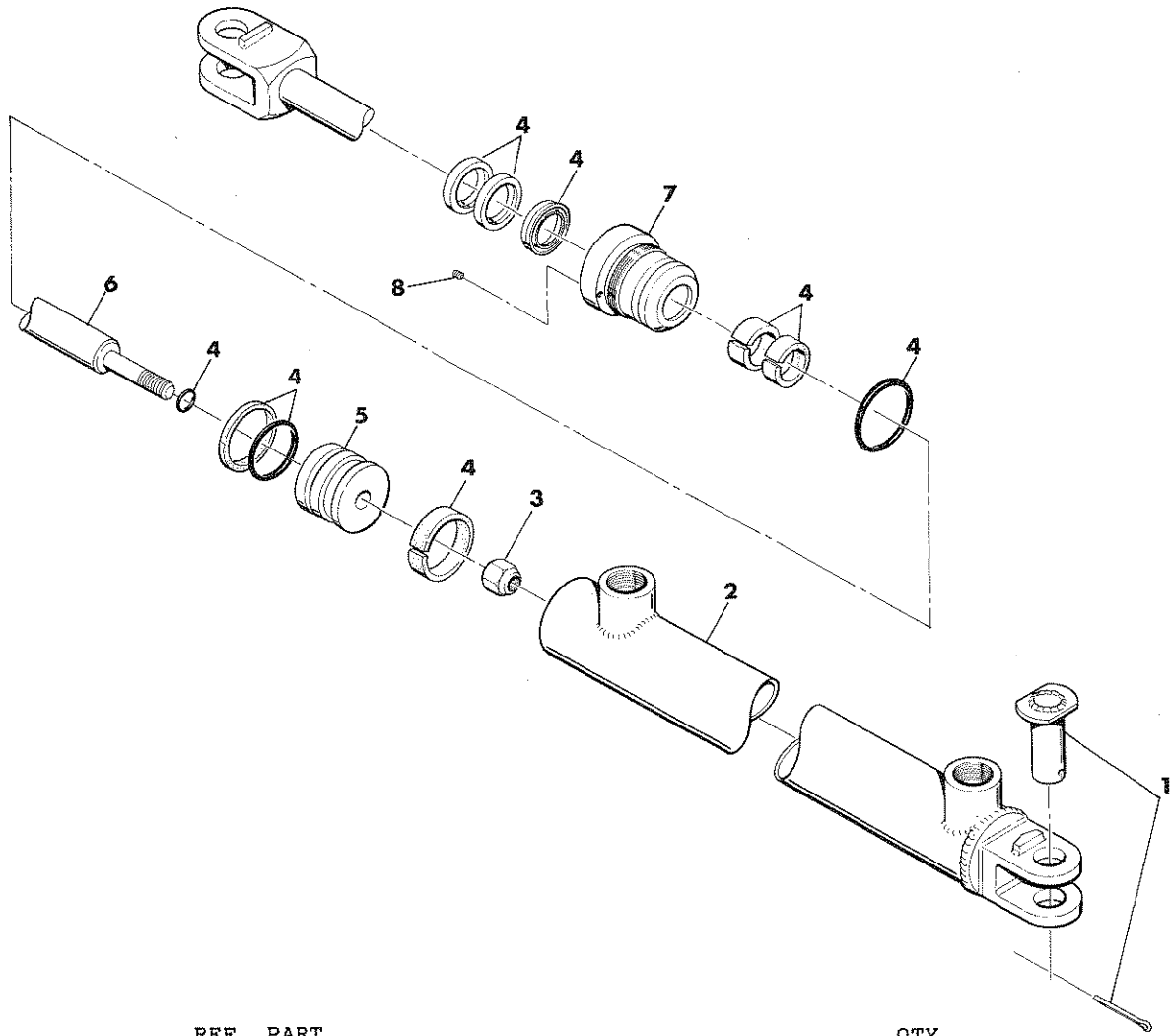
PLUNGER CYLINDER ASSEMBLY
CYL0001590



PLUNGER CYLINDER ASSEMBLY CYL0001590

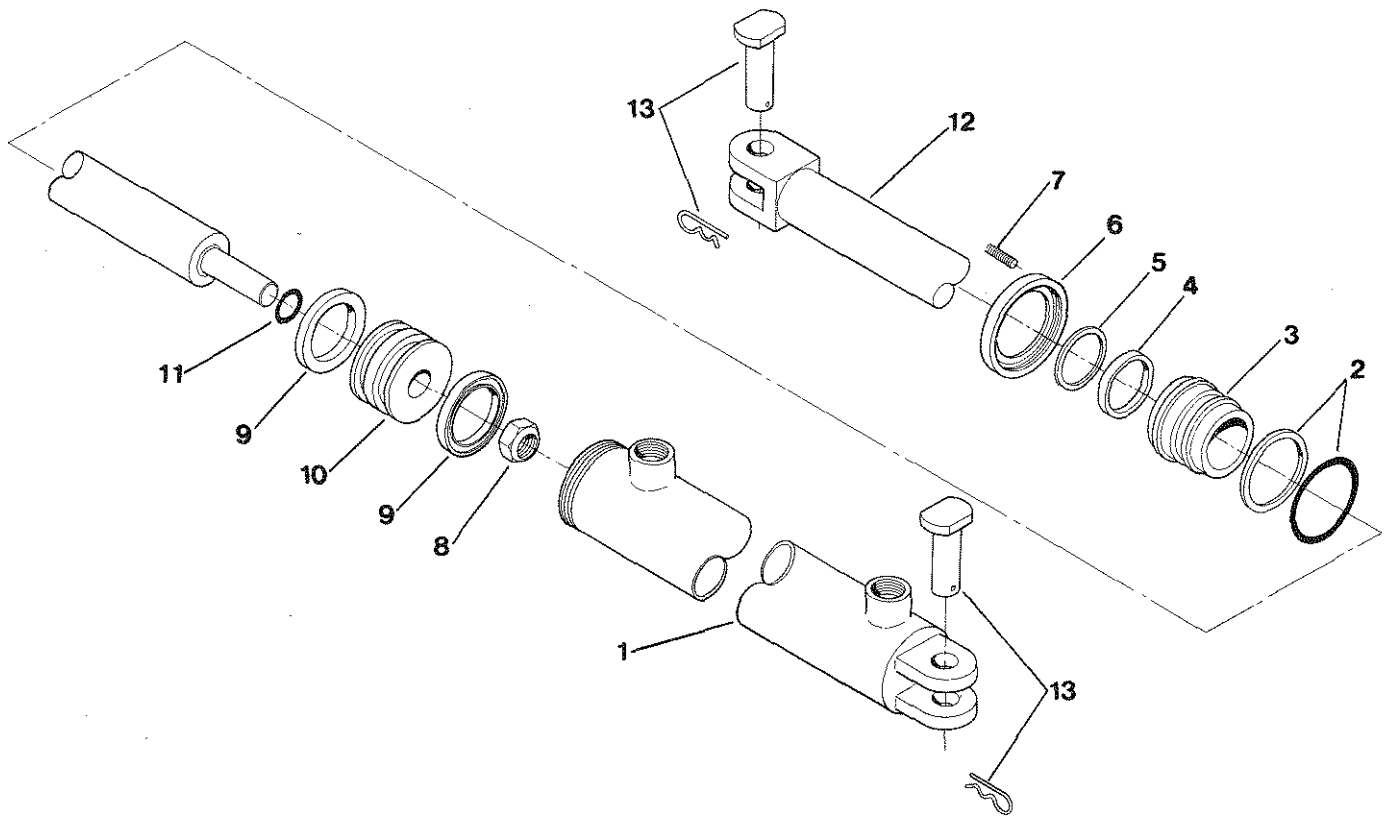
REF NO.	PART NO.	DESCRIPTION	QTY. USED
1	NFH0012600	1-1/4" NF GR 8 HEX NUT	8
2	WAS0015783	HARDENED ZZ228 MACHINE BUSHING	8
3	CYL0017081	PLUNGER CYLINDER BASE	1
4	RNG0002250	O-RING DISOGRIN 90 DURO	2
5	CYL0013532	PLUNGER CYLINDER ROD NUT	1
6	CYL0013535	PLUNGER CYLINDER CUSHION	2
7	BRG4251125	4-1/4 X 1 X .125 ROD BEARING	2
8	F 0000169	COMPRESSION SPRING	12
9	CYL0013475	PLUNGER CYLINDER PISTON	1
10	RNG0000914	PISTON RING	1
11	RNG0008346	BACKUP RING V8-346	1
12	BRG3252125	3-1/4 X 2 X .125 ROD BEARING	1
13	CYL0013477	PLUNGER CYLINDER ROD	1
14	CYL0017121	PLUNGER CYL. BASE END TIE RODS	4
15	CYL0013525	PLUNGER CYLINDER BARREL	1
16	CYL0016082	PLGR. CYL. TRUNION	1
17	SPC0017064	TRUNION SPACER	2
18	RET0013474	PACKING GLAND RETAINER	1
19	CYL0017120	PLUNGER CYL. ROD END TIE ROD	4
20	SCC0050008	1/2 X 2-1/2 NC HT CS - PLATED	4
21	SCS0040005	7/16 X 1-3/4 NC SOCKET SCREW	4
22	FLG0001660	1" CODE 62 BLIND FLANGE	1
23	WAS0000102	7/16 HIGH COLLAR LOCKWASHER	4
24	WAS0000104	1/2 STRUCTURAL WASHER	4
25	CYL0017080	PLUNGER CYLINDER HEAD	1
26	CYL0023212	CYLINDER ROD PACKING GLAND	1
27	SEL0001203	ROD SEAL-DISOGRIN	1
28	FLT0003125	5/16X5/16X4 O.D. FELT RING	1
29	WIPO110052	ROD WIPER, METAL ENCLOSED	2
30	FLG0001501	1"SPLIT FLG W/O-RING & BOLT KIT	3
31	F 0006450	O-RING F/F6269 4-BOLT FLANGE	1
32	RNG0002346	O-RING V894-90 VITON 90 DURO	1
	SEL0001590	SEAL KIT FOR CYL0001590	A/R

MAKE-UP CYLINDER ASSEMBLY CYL0022778



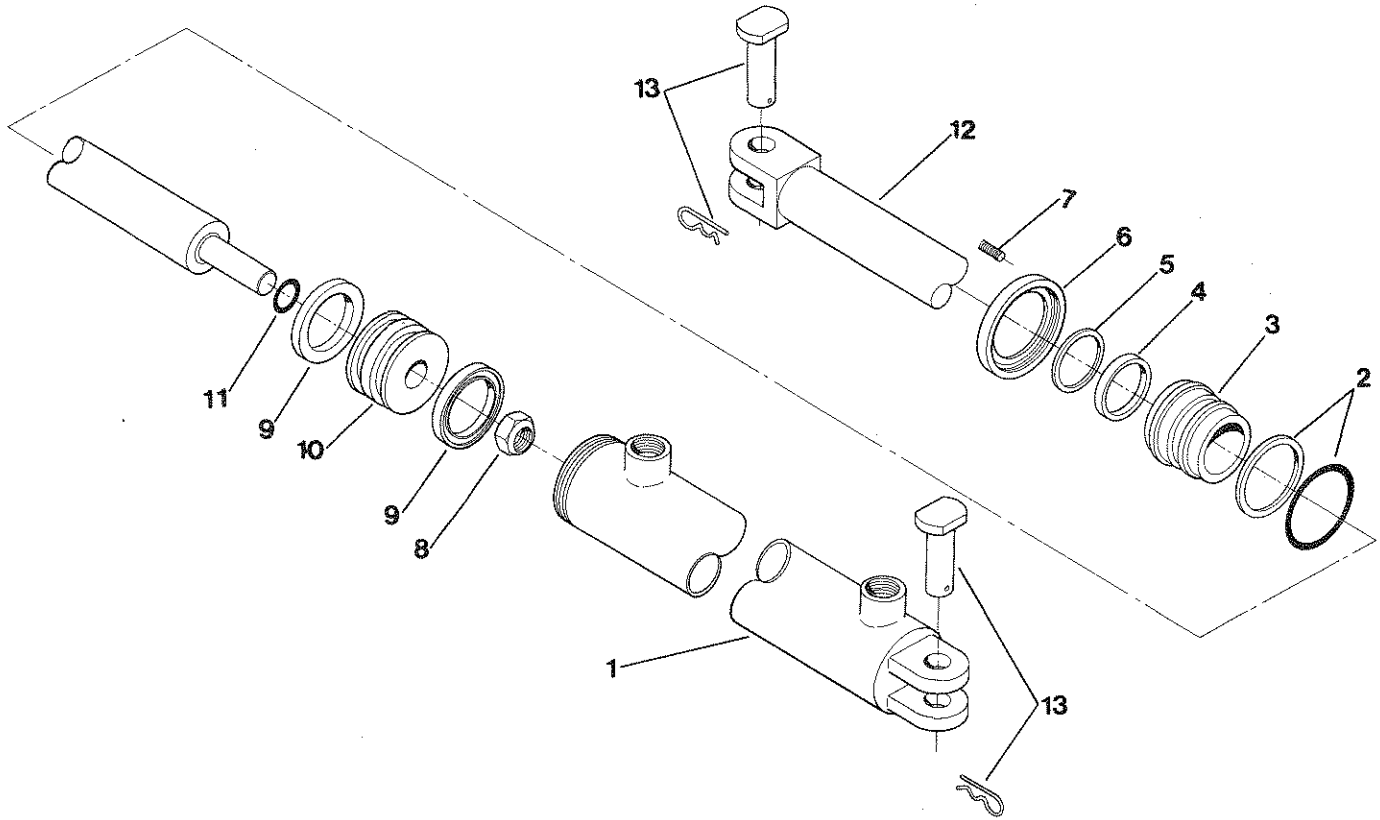
REF NO.	PART NO.	DESCRIPTION	QTY. USED
1	HYP FA22-P	CLEVIS PIN AND COTTER PIN	1
2	CYL2277804	TUBE ASSEMBLY	1
3	CYL2277801	LOCK NUT	1
4	SELO022778	SEAL KIT F/CYL22778	A/R
5	CYL2277802	PISTON	1
6	CYL2277803	SHAFT ASSEMBLY	1
7	CYLO023247	HEAD/ROD GLAND	1
8	STS1032251	10-32X1/4 NF SOCKET SET SCREW	1

TOP AND BOTTOM TENSION CYLINDERS ASSEMBLY CYL0TC3516



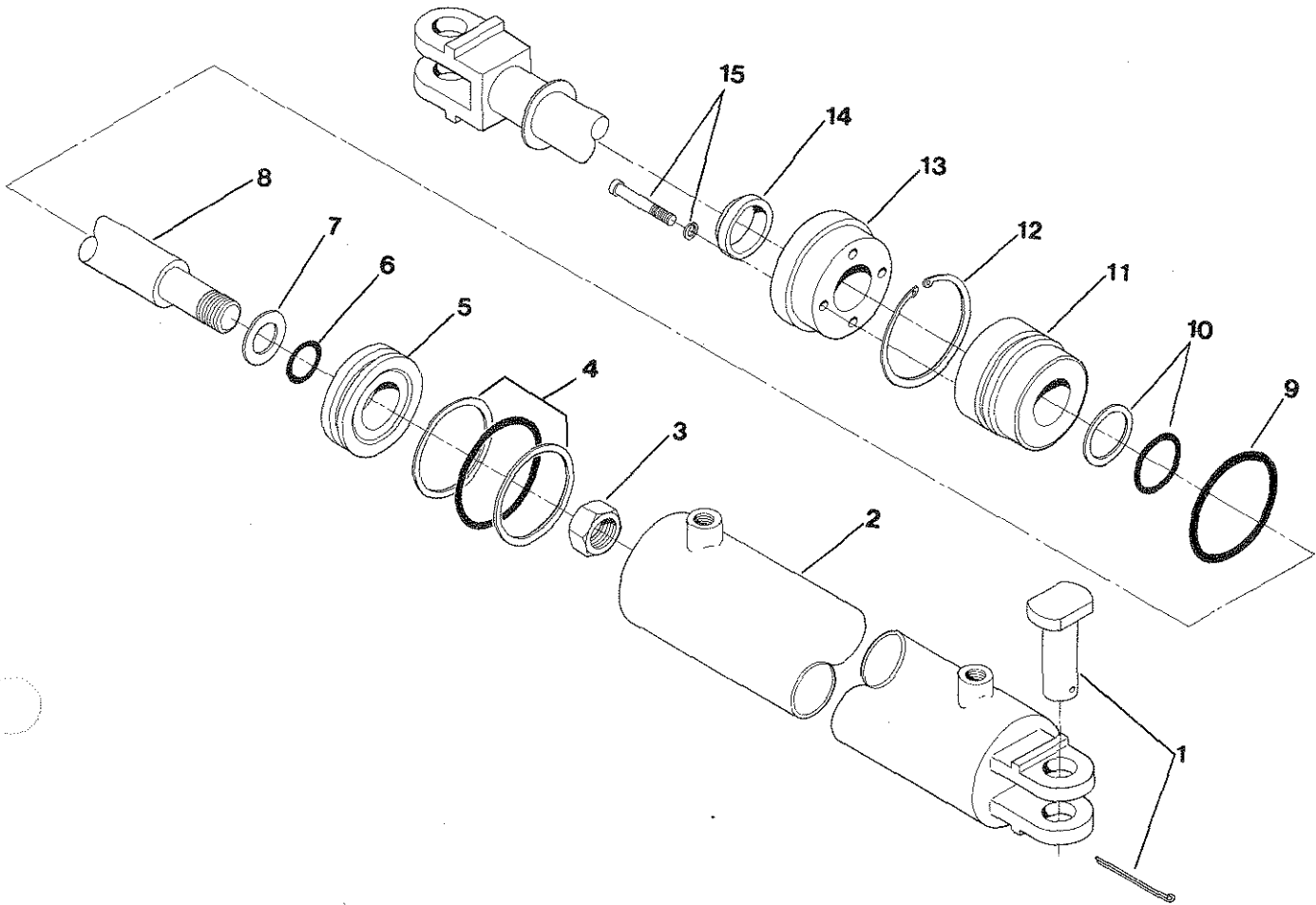
REF NO.	PART NO.	DESCRIPTION	QTY. USED
1	TC 000035C	TUBE ASSEMBLY	1
2	TC 0000350	HEAD O-RING ASSEMBLY	1
3	TC 000035E	HEAD	1
4	TC 00035US	SHAFT PACKING	1
5	TC 00035RW	ROD WIPER	1
6	TC 00035EC	THREADED END CAP	1
7	TC 00035SC	SET SCREW	1
8	TC 000035N	PISTON LOCK NUT	1
9	TC 00035UP	PISTON PACKING	1
10	TC 000035V	PISTON	1
11	TC 00035S0	SMALL O-RING	1
12	TC 000035S	SHAFT ASSEMBLY	1
13	TC 000035P	CLEVIS PIN	2
	SELOTC3516	SEAL KIT F/CYL0TC3516	A/R

SIDE TENSION CYLINDERS ASSEMBLY CYL00TC408



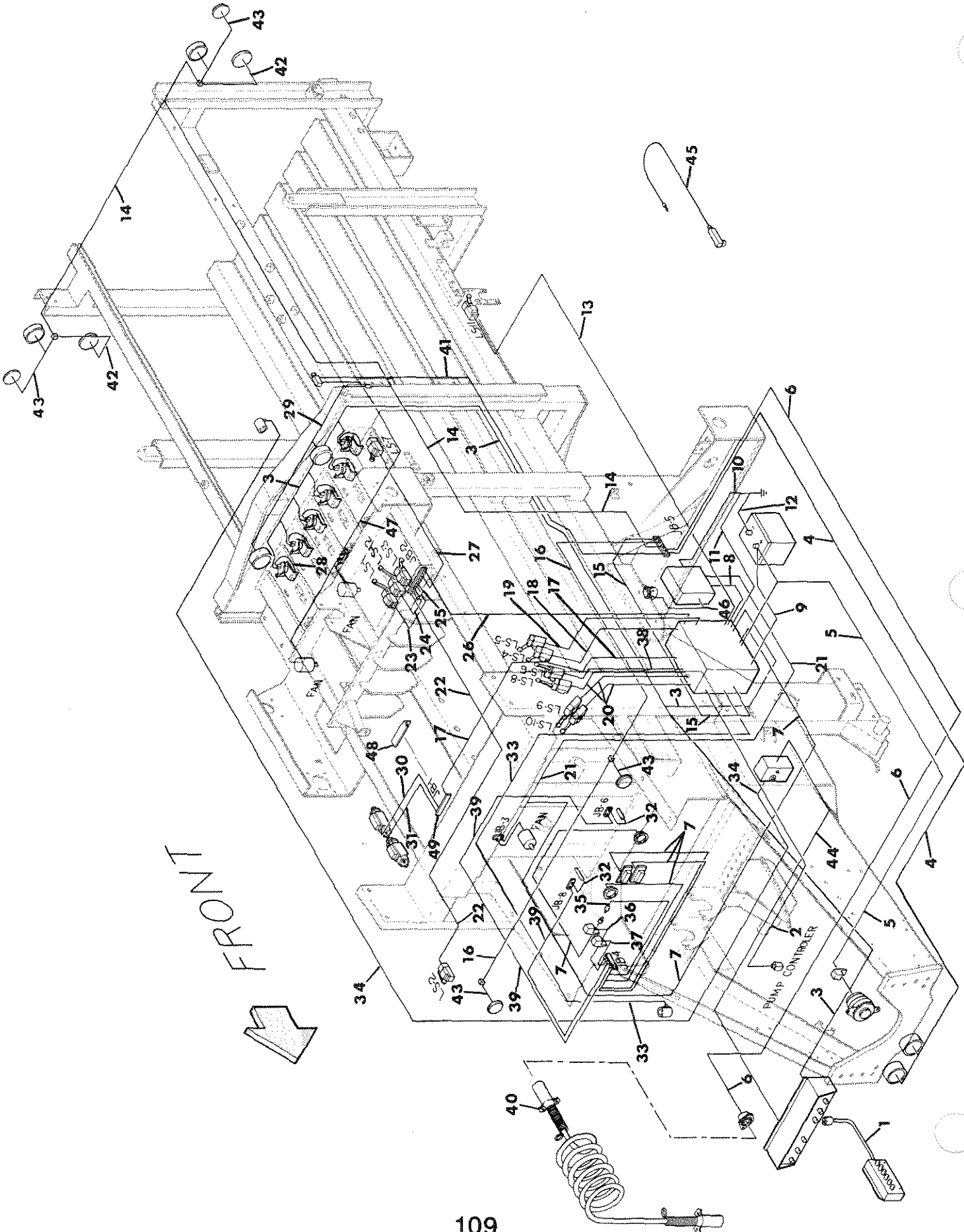
REF NO.	PART NO.	DESCRIPTION	QTY. USED
1	TC 000004C	TUBE ASSEMBLY	1
2	TC 000004O	HEAD O-RING ASSEMBLY	1
3	TC 000004E	HEAD	1
4	TC 00004US	SHAFT ASSEMBLY	1
5	TC 00004RW	ROD WIPER	1
6	TC 00004EC	THREADED END CAP	1
7	TC 00004SC	SET SCREW	1
8	TC 000004N	PISTON LOCK NUT	1
9	TC 00004UP	PISTON PACKING	1
10	TC 000004V	PISTON	1
11	TC 00004SO	SMALL O-RING	1
12	TC 000004S	SHAFT ASSEMBLY	1
13	TC 000004P	CLEVIS PIN	2
	SEL0000KT4	SEAL KIT FOR CYL00TC408	A/R

PICKUP CYLINDER ASSEMBLY CYL0000205



REF NO.	PART NO.	DESCRIPTION	QTY. USED
1	HYPO00FA2P	CLEVIS PIN	2
2	HYPOFA25-C	TUBE ASSEMBLY	1
3	HYPO00FA2N	PISTON LOCK NUT	1
4	HYPO00FA2PO	PISTON O-RING ASSEMBLY	1
5	HYPO00FA2V	PISTON	1
6	HYPO00FA2SO	SMALL O-RING	1
7	HYPO00FA2M	STEEL WASHER	1
8	HYPOFA25-S	SHAFT ASSEMBLY	1
9	HYPO00FA2O	HEAD O-RING	1
10	HYPO00FA2US	SHAFT PACKING (SET)	1
11	HYPO00FA2E	HEAD	1
12	HYPO00FA2LR	HEAD LOCKING RING	1
13	HYPO00FA2G	PACKING GLAND	1
14	HYPO00FA2RW	ROD WIPER	1
15	SCS1024075	10-24X 3/4 NC SOCKET HEAD CS	4
	SELO001505	SEAL KIT F/CYL0000205	A/R

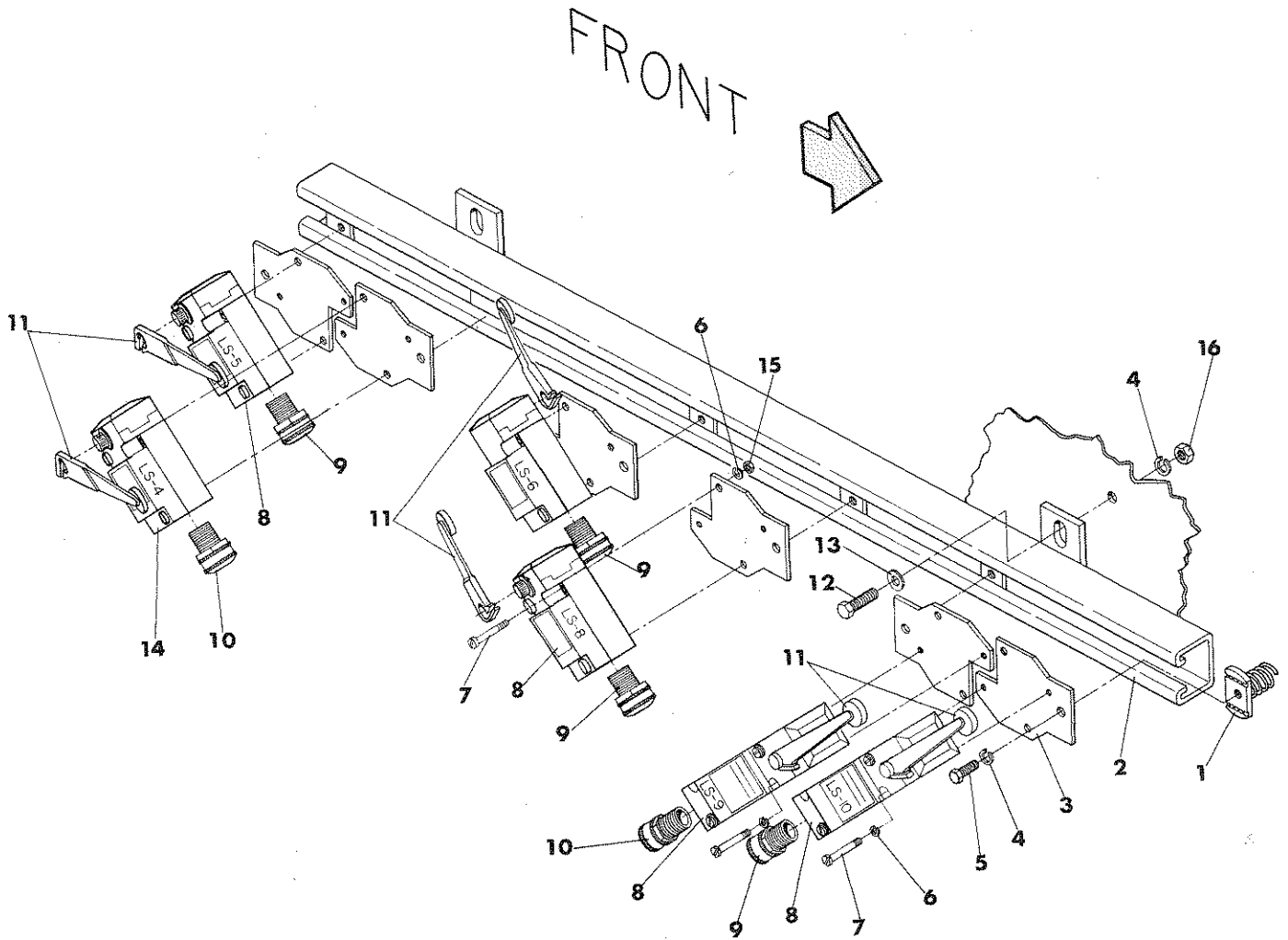
WIRE HARNESS LOCATIONS



WIRE HARNESS LOCATIONS

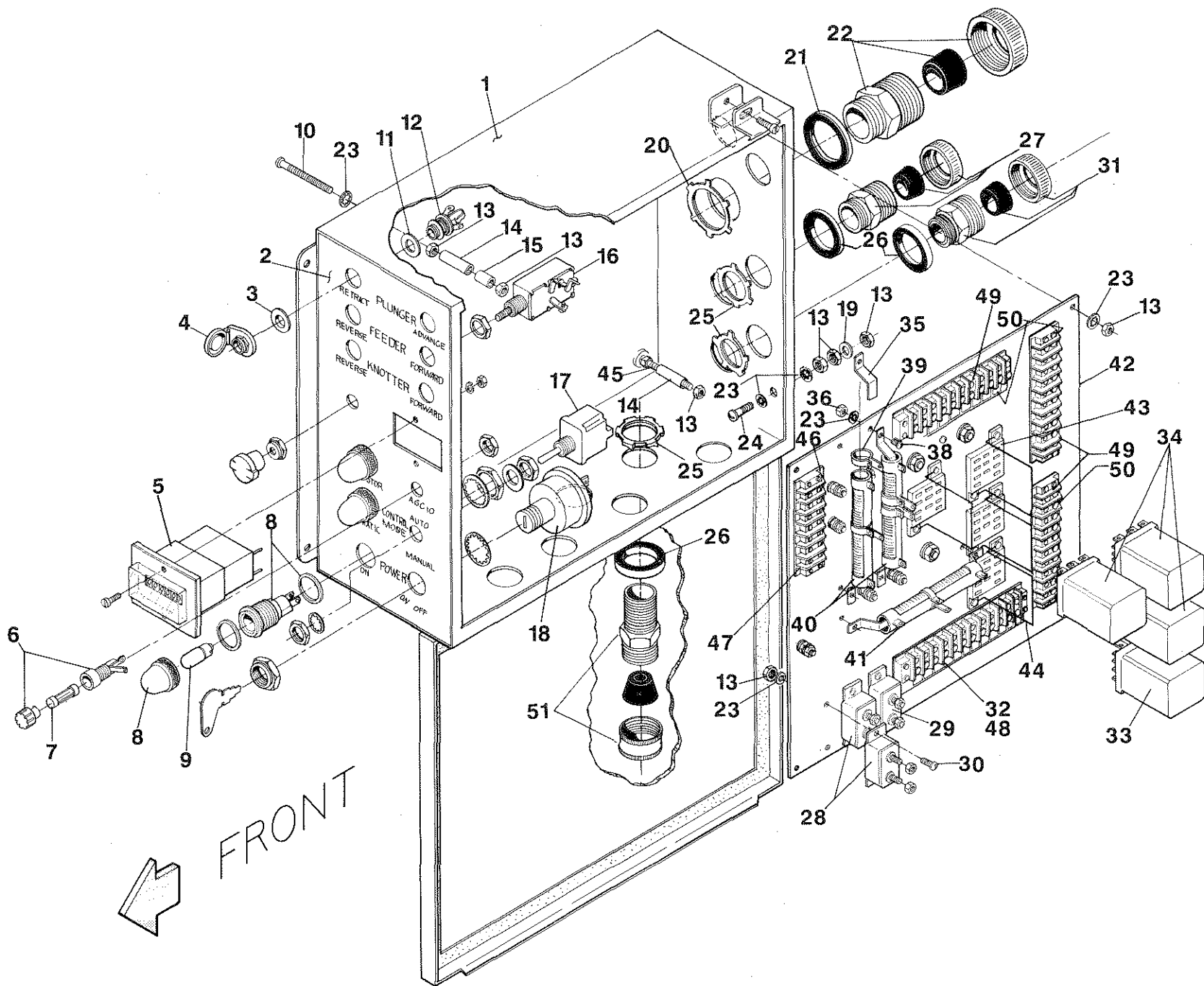
REF NO.	PART NO.	DESCRIPTION	QTY. USED
1	HRN0022895	KNOT SENSOR TENS CONT HARNESS	1
2	HRN0023689	SERVO-CONTROLLER WIRING HRN	1
3	HRN0021868	KNOT SENSOR WIRE HARNESS	1
4	HRN0021076	WIRING HARN P/U WORK LIGHT	1
5	HRN0020970	ALT. TO TB-4 & BAT WIRE HARN	1
6	HRN0023803	WIRE HARN JB-5 TO 7 COND RECEP	1
7	HRN0020857	WIR HRN GUAGE PNL	1
8	HRN0018302	WIRE HARN-FAN CONTRL BOX POWER	1
9	HRN0018300	WIR HARN-BATTERY TO POWER SWTCH	1
10	HRN0018303	WIRE HARN-FAN CONTRL BOX GRND	1
11	HRN0018306	WIRE HARN-CONTROL BOX GROUND	1
12	HRN0018301	WIRE HARN-BATTERY GROUND STRAP	1
13	HRN0023512	WIRE HARNESS L5-11 TO CNTL BX	1
14	HRN0017873	REAR LIGHT WIRING HRNSN#104 - 123	1
14	HRN0024294	REAR LIGHT WIRING HRNSN#124 +	1
15	HRN0022686	HARNESS LIGHT SWITCH TO JB-5-3	1
16	HRN0017874	FRT. AMB. WARNING LIGHT HRNESS	1
17	HRN0018331	WIRE HARNESS JB-1 TO TB-1	1
18	HRN0017641	WIRE HARN-5COND. LS4-TB2 & TB3	1
19	HRN0017620	WIRE HARN-2COND. LS-5 TO TB-2	1
20	HRN0017868	WIRE HARN-2COND. LS-8, 9 & 10	3
21	HRN0021174	FAN RELAY TO MOTOR	1
22	HRN0017867	WIRE HARN-2 COND. LS-2 TO JB-2	1
23	HRN0017866	WIRE HARN-5COND. LS-1 TO JB-2	1
24	HRN0017870	WIRE HARN-3COND. LS-12 TO JB-2	1
25	HRN0017598	WIRE HARN-2COND. LS-3 TO JB-2	1
26	HRN0017879	WIRE HARN-CONTROL BOX TO TB-2	1
27	HRN0017617	WIRE HARN-2COND. LS-7 TO JB-2	1
28	HRN0021990	SWITCH GROUND WIRE	6
29	HRN0017872	KNOTTER WORK LIT. HARNESS	1
30	HRN0018333	WIRE HARN-KNOTTER VALVE	1
31	HRN0018332	WIRE HARN-2ND FEEDER VALVE	1
32	HRN0022703	OIL LEVEL SWITCH TO JB-4 HRN	2
33	HRN0021867	TEN RLF SOLENOID VLV HARNESS	1
34	HRN0023529	HARN TEN CNTL TO RELIEF SOL VL	A/R
35	THM0018054	220F. TEMP. WIRING HARNESS	1
36	HRN0022681	LOW OIL LEVEL RELAY HRN	1
37	HRN0020858	THERMOSTAT/OIL LEVEL RELAY	1
38	HRN0017621	WIRE HARN-2COND. LS-6 TO TB-3	1
39	HRN0018297	WIRE HARNESS-JB-4 TO HRN 18298	2
40	CBL1121702	7 CONDUCTOR CABLE	1
41	HRN0023513	RELAY TO FAN SWITCH HARNESS	1
42	HRN0023542	STOP/TAIL LIGHT HARNESS	2
43	HRN0023541	YELLOW INDICATOR LIGHT	4
44	HRN0023530	HRN TEN CNTL TO FRT INDI PNL	A/R
45	ELC0016762	MANUAL OPERATOR PENDANT	A/R
46	HRN0023547	CONTROL BOX TO RELAY HARNESS	1
47	HRN0023514	HARN KNT FAN SWI TO JUNC BLK	1
48	11-269	6 POST TERMINAL BLOCK SHIELD	1
49	03-161	6-POST TERMINAL BLOCK	1

PLUNGER LIMIT SWITCHES



PLUNGER LIMIT SWITCHES

REF NO.	PART NO.	DESCRIPTION	QTY. USED
1	NMS0001007	NUT - UNISTRUT	6
2	MNT0015827	PLUNGER SWITCH MNTG CHANNEL	1
3	MNT0015823	PLUNGER SWITCH MOUNT	6
4	WLK0000313	5/16" LOCKWASHER - PLATED	11
5	SCC0020001	5/16 X 3/4 NC HT CS - PLATED	7
6	WLK0000100	#10 LOCKWASHER - PLATED	13
7	SMR1032150	10-32X1-1/2 RH MACH SCREW-PLT	13
8	SWI0005079	LIMIT SWITCH-4 POST	5
9	CNR0000193	1/2" STRAIN RELIEF CONNECTOR	4
10	CNR0000195	CONNECTOR	2
11	ARM0005084	3" LEVER ARM W/3/4" ROLLER	6
12	SCC0020002	5/16 X 1 NC HT CS - PLATED	4
13	WCT0000313	5/16" FLATWASHER - PLATED	3
14	SWI0005081	LIMIT SWITCH-8 POST	1
15	NFH0001032	10-32 NF HEX NUT - PLATED	8
16	NCH0000313	5/16 NC HEX NUT - PLATED	4



MAIN CONTROL BOX

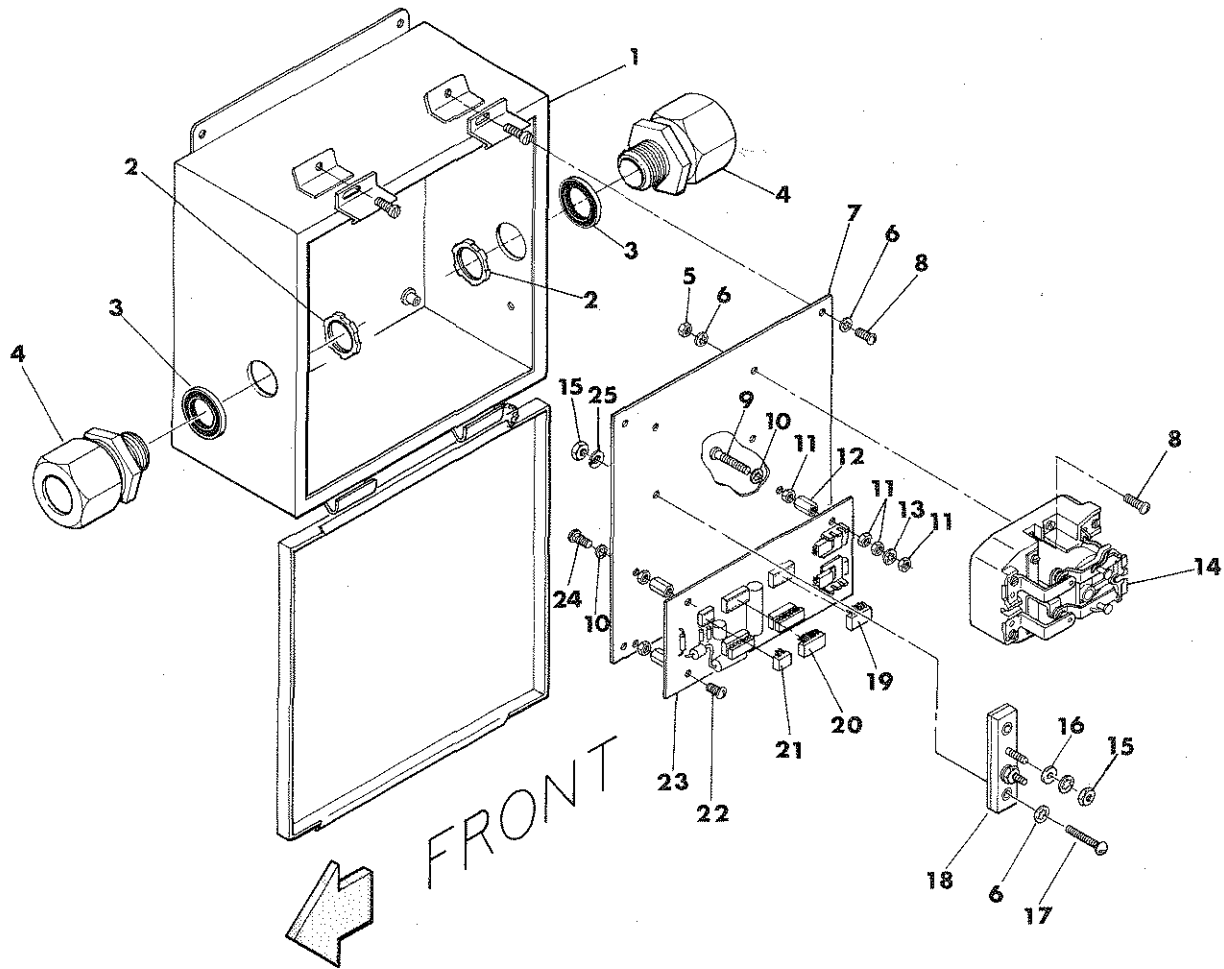
MAIN CONTROL BOX

ELC0172950 MAIN CONTROL BOX ASSY COMPLETE

REF NO.	PART NO.	DESCRIPTION	QTY. USED
1	BOX0017295	CONTROL BOX-SHELL	1
1	ELC0172951	MN CONTROL BX W/WIRE W/O PNL	1
2	FD 0017296	CONTROL BOX DECAL	1
3	WAS5607129	NYLON SHOULDER WASHER	6
4	PH00005403	PHONE JACK COVERS	6
5	BC00011631	BALE COUNTER-6 DIGIT-12VDC	1
6	FUS0000025	FUSE HOLDER	1
7	FUS0000036	FUSE - AGC 10	1
8	LIT1690410	LAMP HOLDER-169-0410-1191-303	3
9	LIT0001815	MINIATURE LAMP	3
10	SMR1032225	10-32X2-1/4 RH MACH SCREW	2
11	WAS5617731	NYLON WASHER	6
12	PH00005402	PHONE JACK	6
13	NFE0001032	10-32 NF ESNA NUT - PLATED	15
14	SPC1557032	1" LONG STANDOFF SPACER	4
15	SPC1557014	7/16 LONG STANDOFF SPACER	2
16	SWI0005065	2 POS LIGHT SWITCH	1
17	SWI0005028	2TL1-3 MICRO SWITCH	1
18	SWI0005091	ON/OFF POWER SWITCH	1
19	WCB0001000	#10 BRASS CUTWASHER	1
20	NMS0000109	3/4 CONDUIT LOCKNUT	1
21	RNG0005263	SEALING RING F/3/4"CONNECTOR	1
22	CNR0000297	3/4 TO 7/8 CONNECTOR	1
23	WIS0001000	#10 INTERNAL STAR WASHER-PLT	16
24	SMR1032075	10-32X 3/4 RH MACH SCREW-PLT	1
25	NMS0000150	1/2 CONDUIT LOCKNUT-STEEL	6
26	RNG0005262	SEALING RING F/1/2"CONNECTOR	6
27	CNR0000194	3/8 TO 1/2 CONNECTOR	1
28	CBK0005530	30-AMP CIRCUIT BREAKER	2
29	CBK0005540	40-AMP CIRCUIT BREAKER	1
30	SMR1032050	10-32X1/2 RH MACH SCREW	6
31	CNR0000195	CONNECTOR	3
32	BAB0012140	BARRIER BLOCK	4
33	03-182	RELAY 166 3PDT 12V 10A	1
34	RELO253781	12 VOLT 10 AMP DPDT RELAY	3
35	BKT0001398	MOUNTING BKT F/POWER RESISTOR	6
36	NCH0006320	6-32 NC HEX NUT	6
37	WIS0000600	#6 INTERNAL STAR WASHER-PLT	6
38	SMR6320375	6-32 X 3/8 RH MACH SCREW-PLT	6
39	LUG0005401	ADJUSTABLE LUG	2
40	RES0045019	100 OHM 50 WT POWER RES	2
41	RES0045022	200 OHM 50 WT POWER RES	1
42	ELC0050009	COMPL CONTROL PANEL ASSY	1
43	SOK2031181	RELAY SOCKET	4
44	CIP2090200	HOLD DOWN CLIP 20902-00	4
45	STD0017449	CONTROL PANEL MOUNTING STUD	4
46	MSR007140Y	MARKER STRIP	1
47	BAB007140Y	7 POST BARRIER BLOCK	1
48	MSR012140Y	MARKER STRIP	1
49	BAB0010140	BARRIER BLOCK	3
50	MSR0010140	MARKER STRIP	3
51	CNR0000193	1/2" STRAIN RELIEF CONNECTOR	7

FAN CONTROL BOX

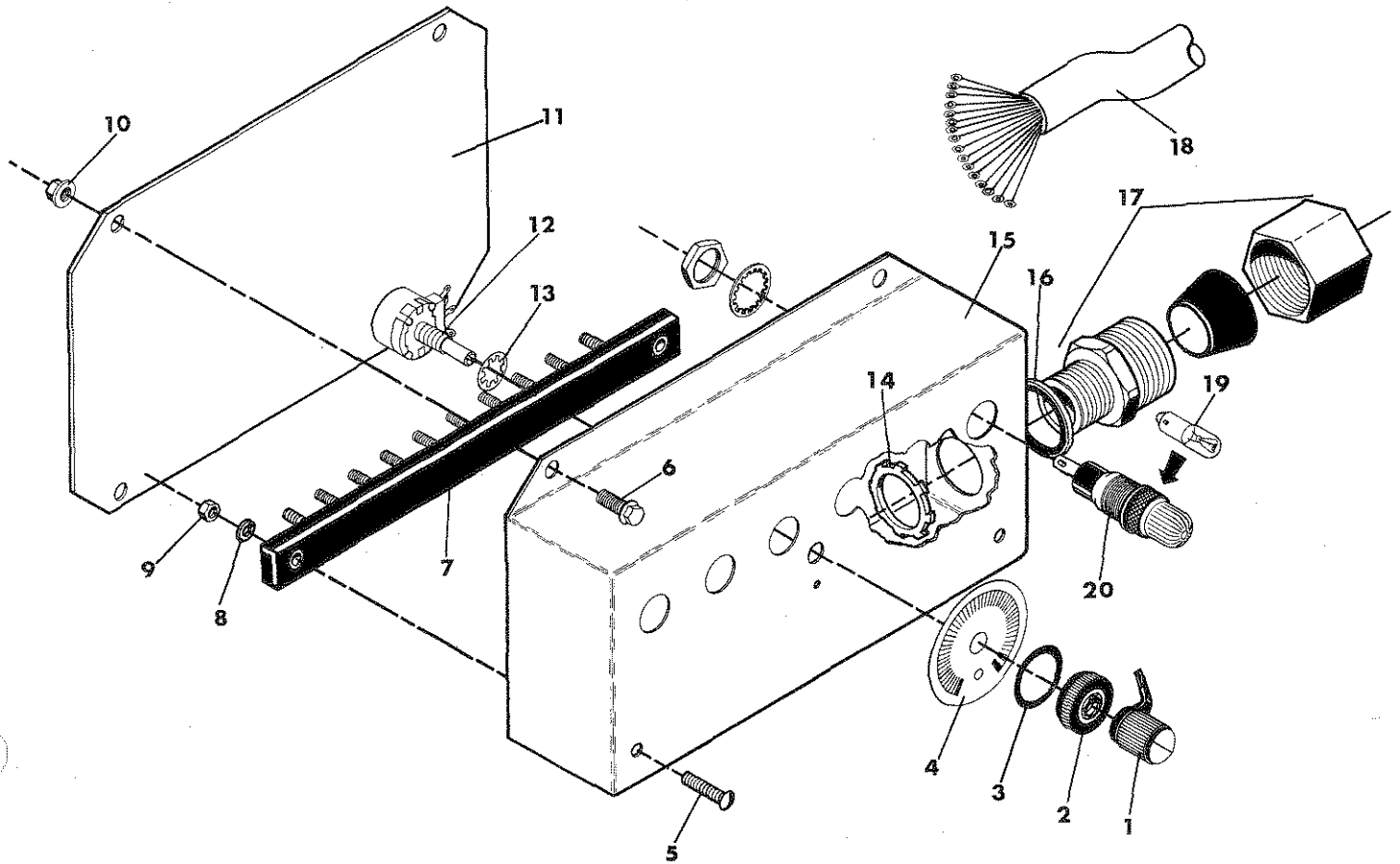
ELC0174831 FAN CONTROL BOX ASSY COMPLETE



REF NO.	PART NO.	DESCRIPTION	QTY. USED
1	BOX0016829	FAN SEQUENCER CONTROL BOX	1
2	NMS0000109	3/4 CONDUIT LOCKNUT	2
3	RNG0005263	SEALING RING F/3/4"CONNECTOR	2
4	CNR0000297	3/4 TO 7/8 CONNECTOR	2
5	NFE0001032	10-32 NF ESNA NUT - PLATED	4
6	WIS0001000	#10 INTERNAL STAR WASHER-PLT	6
7	PNL0016830	FAN SEQUENCER PANEL	1
8	SMR1032500	10-32X1/2 RH MACH SCREW-PLT	6
9	SMR6321250	6-32 X 1-1/4 RH MACH SCREW	1
10	WIS0000600	#6 INTERNAL STAR WASHER-PLT	4
11	NCH0006320	6-32 NC HEX NUT	7
12	SPC0843200	#6 X 1/2" 1/4" HEX STNDOFF WAS	4
13	WCT0000600	#6 FLATWASHER - PLATED	1
14	REL0001112	RELAY-12 VOLTS	1
15	NFH0001032	10-32 NF HEX NUT - PLATED	4
16	WCB0001000	#10 BRASS CUTWASHER	2
17	SMR1032075	10-32X 3/4 RH MACH SCREW-PLT	2
18	TEB0472102	2 POST TERMINAL BLOCK	1
19	ELC0046019	INTEGRATED CIRCUIT	2
20	ELC0046013	INTEG. CIR. AND/NAND 8 INPUT	2
21	ELC0046020	CIRCUIT TIMER	1
22	SMR6320250	6-32 X 1/4 RH MACH SCREW	3
23	ELC0050008	FAN SEQUENCER BOARD ASSEMBLY	1
24	SMR6320375	6-32 X 3/8 RH MACH SCREW-PLT	3
25	WLK0000100	#10 LOCKWASHER - PLATED	2

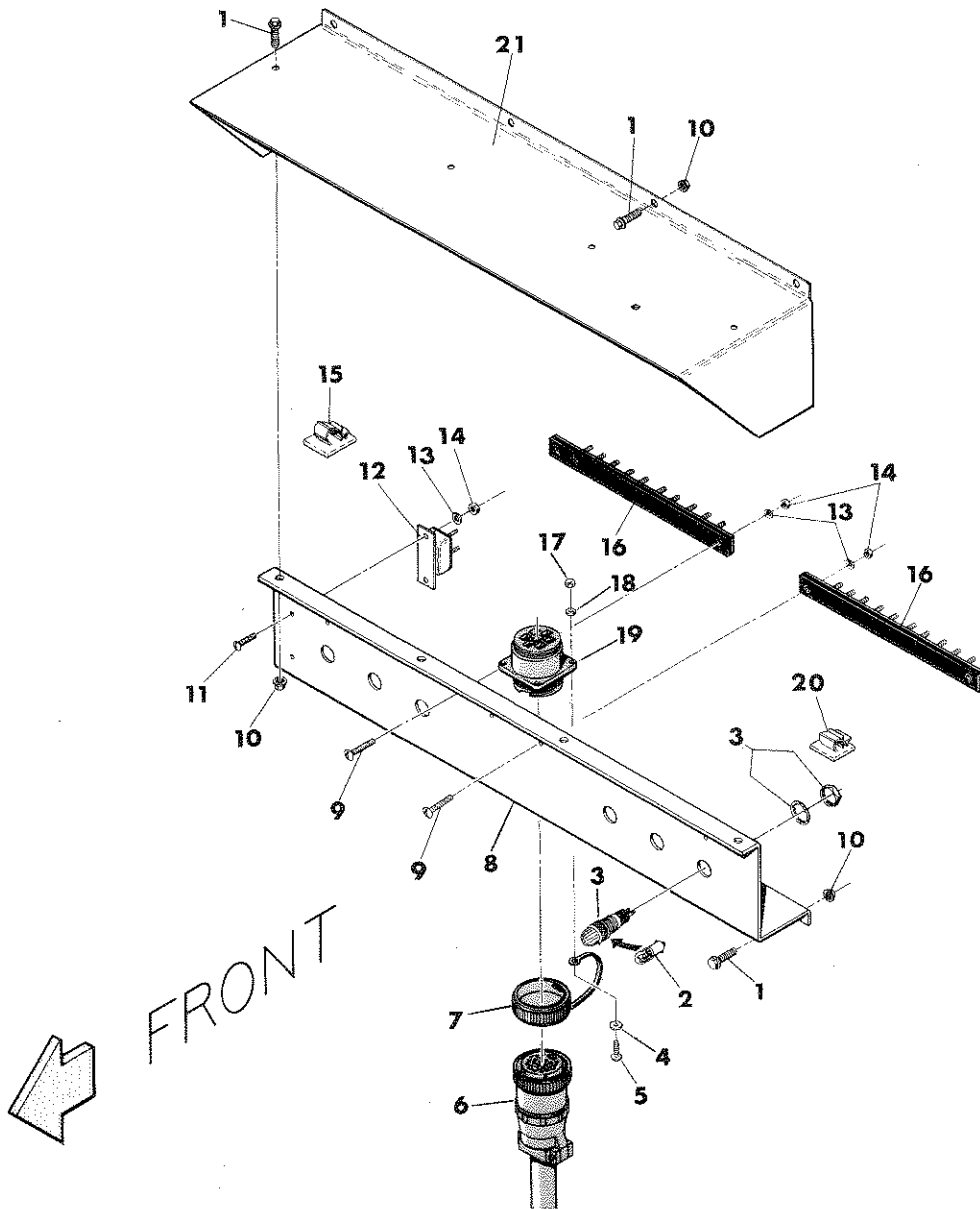
REMOTE KNOT SENSOR AND TENSION CONTROL BOX

ELE0022951 CONTROL BOX ASSY COMPLETE



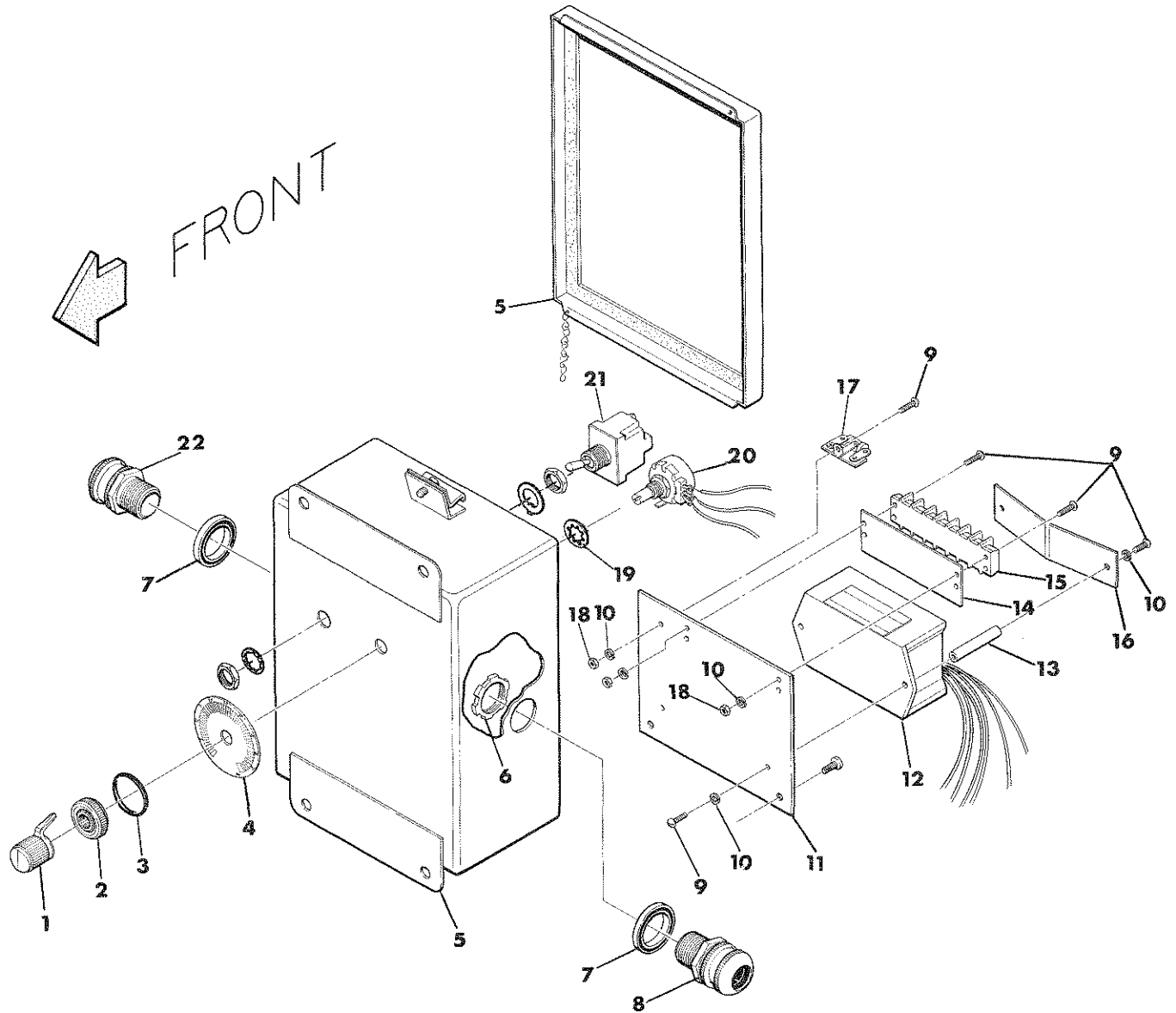
REF NO.	PART NO.	DESCRIPTION	QTY. USED
1	KOB0026302	KNOB-LOCKING POINTER	1
2	KOB0026308	KNOB LOCK	1
3	RNG0003912	O-RING V894-90 VITON 90 DURO	1
4	PLT0005000	OHMITE DIAL PLATE	1
5	SMR1032750	10-32X3/4 RH MACH SCREW	2
6	SMS0000173	1/4 X 1/2 NC WHIZ BOLT-PLATED	4
7	TEB0472110	10 POST TERMINAL BLOCK	1
8	WIS0001000	#10 INTERNAL STAR WASHER-PLT	2
9	NFH0001032	10-32 NF HEX NUT - PLATED	2
10	NMS0000250	1/4" NC WHIZ NUT - PLATED	4
11	CVR0022832	INDICATOR MNT BOX CVR	1
12	ELC0048533	POTENTIOMETER - #53C3-20K OHM	1
13	WIS0003750	3/8 INTERNAL STAR WASHER-PLT	1
14	NMS0000109	3/4 CONDUIT LOCKNUT	1
15	BOX0022831	TENSION CONTROL BOX	1
16	RNG0005263	SEALING RING F/3/4"CONNECTOR	1
17	CNR0000297	3/4 TO 7/8 CONNECTOR	1
18	HRN0022895	KNOT SENS TENS CONT HRN	1
19	LIT0001200	BULB-MINIATURE BAYONET BASE	6
20	LIT0691193	AMBER LIGHT	6

KNOT SENSOR INDICATOR PANEL



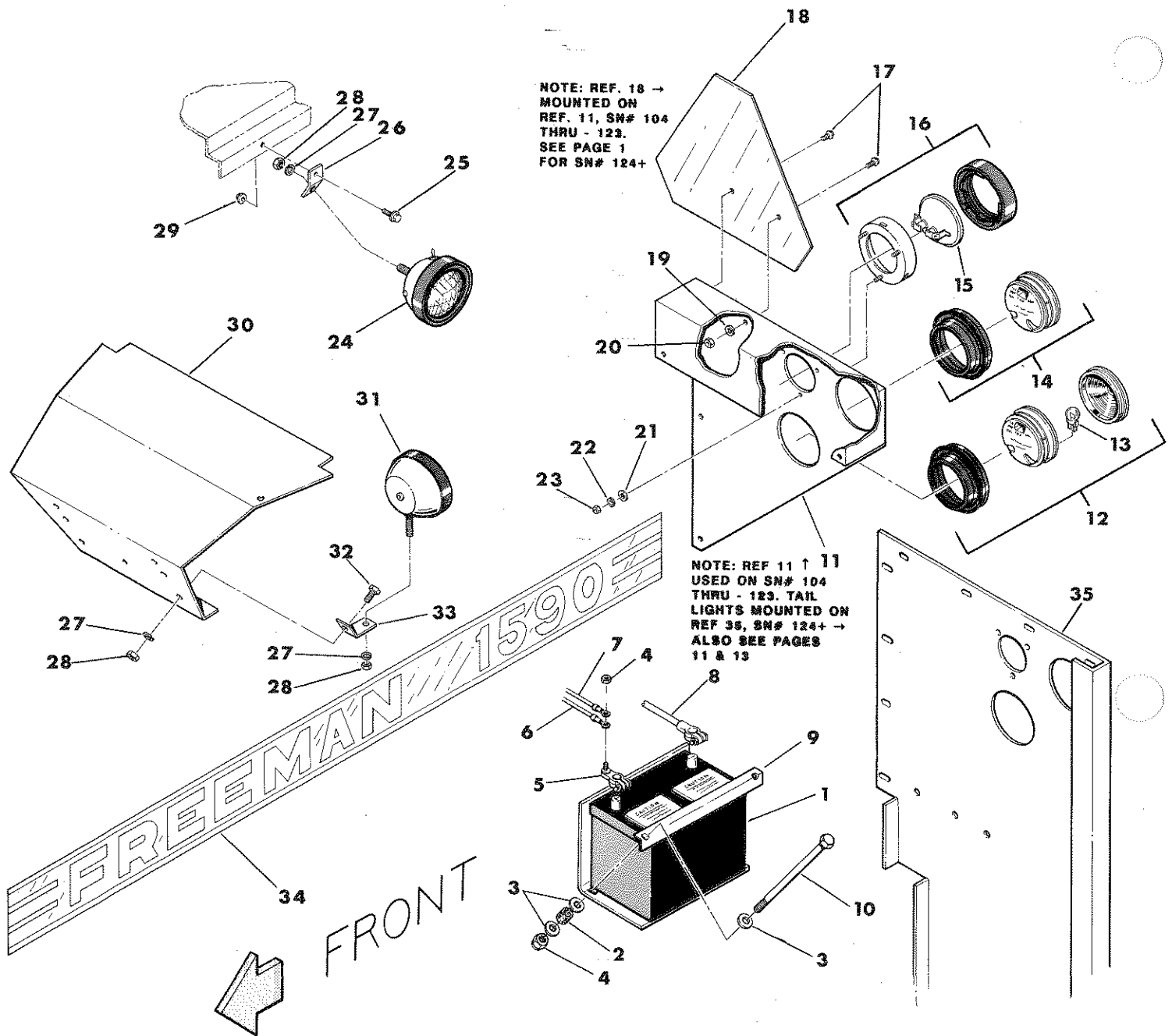
REF NO.	PART NO.	DESCRIPTION	QTY. USED
1	SMS0000172	1/4 X 3/4 NC WHIZ BOLT-PLATED	12
2	LIT0001815	MINIATURE LAMP	6
3	LIT0691193	AMBER LIGHT	6
4	WCT0000600	#6 FLATWASHER - PLATED	1
5	SMR6320500	6-32 X 1/2 RH MACH SCREW-PLT	4
6	HRN0022895	KNOT SENSOR TENS CONT HARNESS	1
7	CAP2074461	SEALING CAP	1
8	HSN0023621	INDICATOR LIGHT HOUSING	1
9	SMR1032100	10-32X1 RH MACH SCREW-PLT	4
10	NMS0000250	1/4" NC WHIZ NUT - PLATED	12
11	SMR1032075	10-32X 3/4 RH MACH SCREW-PLT	2
12	CBK0005510	10 AMP CIRCUIT BREAKER	1
13	WLK0000100	#10 LOCKWASHER - PLATED	6
14	NFH0001032	10-32 NF HEX NUT - PLATED	6
15	CIP0007252	1/2 ADHESIVE CLAMP	1
16	TEB0472110	10 POST TERMINAL BLOCK	2
17	NCH0000632	6-32 NC HEX NUT - PLATED	4
18	WLK0000600	#6 LOCKWASHER - PLATED	4
19	PLUG023518	LIGHT PANEL RECEPTACLE	1
20	CLP0726110	1/4" ADHESIVE BACKED CLAMP	1
21	CVR0023449	KNOT SENSOR INDICATOR HSNQ CVR	1

TENSION CONTROLLER BOX



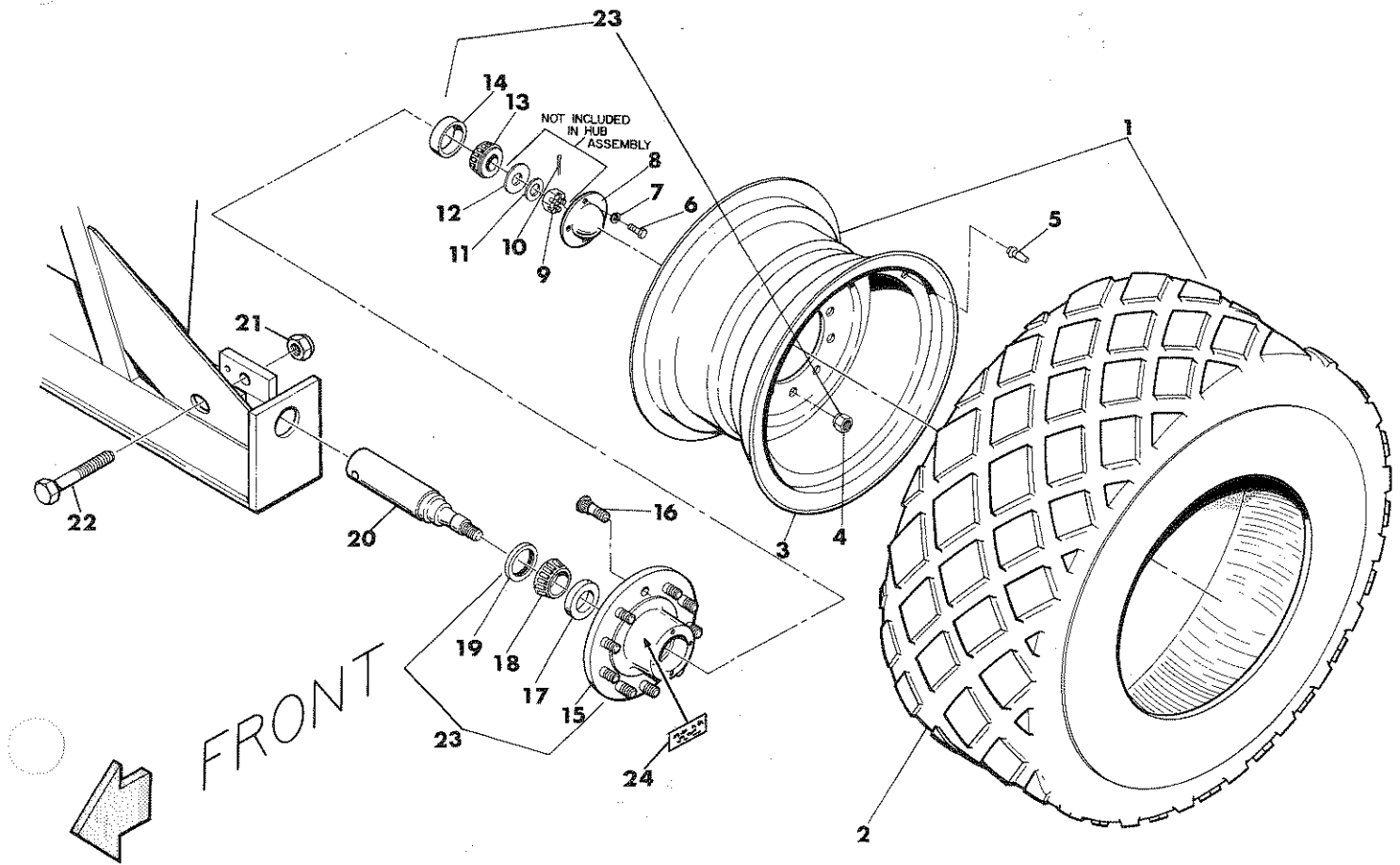
REF NO.	PART NO.	DESCRIPTION	QTY. USED
1	KOB0026302	KNOB - LOCKING POINTER	1
2	KOB0026308	KNOB LOCK	1
3	RNG0003912	O-RING	1
4	PLT0005000	DIAL PLATE	1
5	BOX0023427	TENSION CONTROLLER BOX	1
6	NMS0000150	1/2 CONDUIT LOCKNUT-STEEL	2
7	RNG0005262	SEALING RING F/1/2"CONNECTOR	2
8	CNR0000195	CONNECTOR	1
9	SMR6320500	6-32 X 1/2 RH MACH SCREW-PLT	9
10	WLK0000600	#6 LOCKWASHER - PLATED	9
11	PNL0023428	TENSION CONTROL BOX PANEL	1
12	ELC0022896	TENSION CONTROLLER	1
13	SPC0600100	1/4H X 1 K#6 HEX ALUM SPC	2
14	BAB0007140	BARRIER BLOCK - 7 POST	1
15	MSR0007140	MARKER STRIP	1
16	RET0022627	TENSION CONTROLLER RETAINER	1
17	RES0022897	RESISTOR & MOUNT ASSEMBLY	1
18	NCH0000632	6-32 NC HEX NUT - PLATED	5
19	WIS0003750	3/8 INTERNAL STAR WASHER-PLT	1
20	ELC0048533	POTENTIOMETER - #53C3-20K OHM	1
21	SWI0005028	2TL1-3 MICRO SWITCH	1
22	CNR0000193	1/2" STRAIN RELIEF CONNECTOR	1

BATTERY, LIGHTS AND DECALS



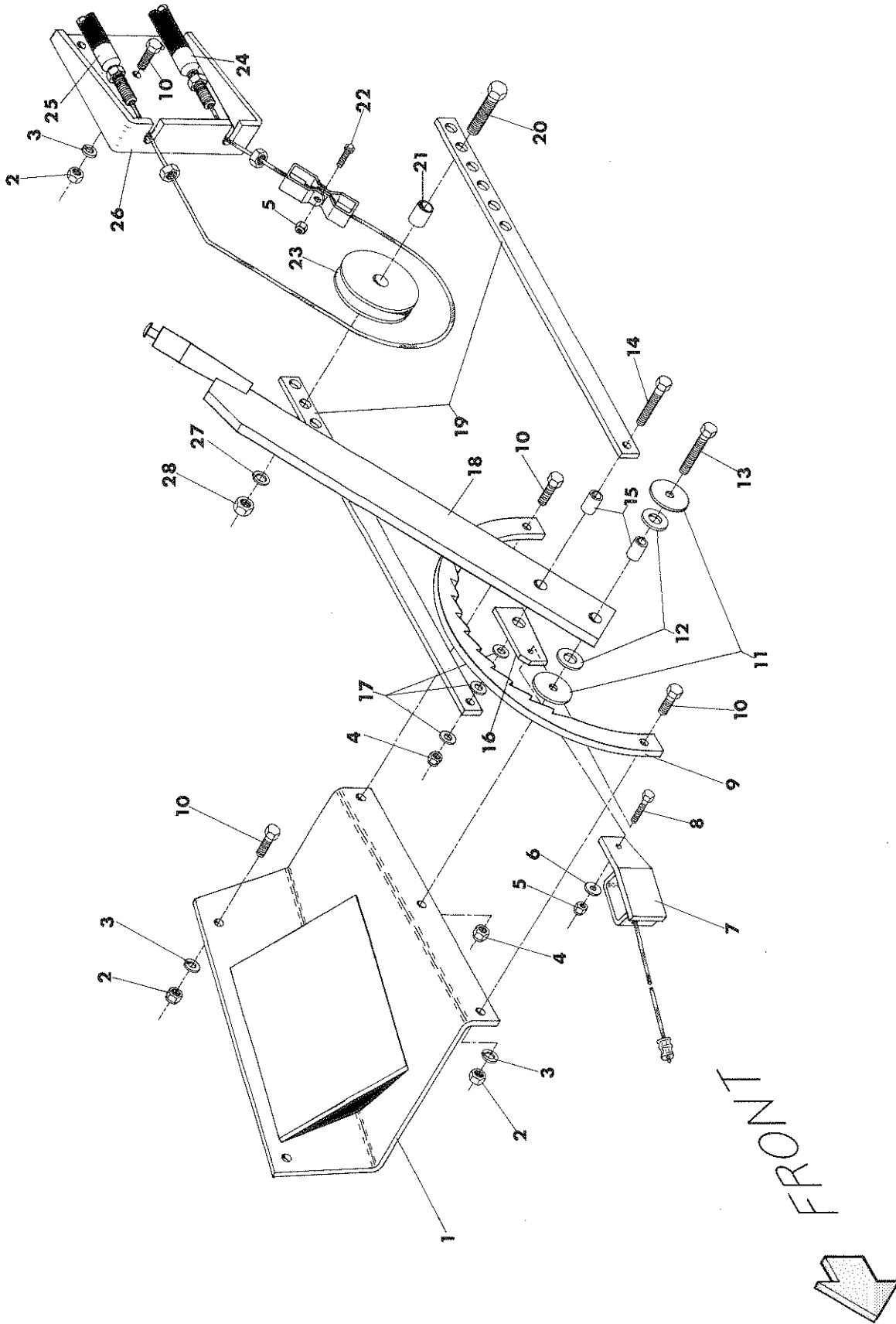
REF NO.	PART NO.	DESCRIPTION	QTY. USED	REF NO.	PART NO.	DESCRIPTION	QTY. USED
1	F 0006639	BATTERY 12 VOLT - GROUP 24 WET	1	18	SGN0016161	"SLOW MOVING VEHICLE" SIGN	1
2	F 0006328	BATTERY HOLD DOWN GROMMET	2	19	WLK0000375	3/8" LOCKWASHER - PLATED	4
3	WCT0000375	3/8" FLATWASHER - PLATED	6	20	NCH0000375	3/8" NC HEX NUT - PLATED	4
4	NCE0000375	3/8" NC ESNA NUT - PLATED	3	21	WCT0000100	#10 FLATWASHER - PLATED	6
5	O3-203	POSITIVE BATTERY TERMINAL	1	22	WLK0000100	#10 LOCKWASHER - PLATED	6
6	HRN0020970	ALT. TO TB-4 & BAT WIRE HARN	1	23	NCH0001024	10-24 NC HEX NUT - PLATED	6
7	HRN0018300	WIR HARN-BATTERY TO POWER SWTCH	1	24	F 0008060	LIGHT, REAR COMBIN 12V SHCK MNT	2
8	HRN0018301	WIRE HARN-BATTERY GROUND STRAP	1	25	SMS0000177	5/16 X 1 NC WHIZ BOLT-PLATED	2
9	BKT0015916	BATTERY HOLD DOWN BRACKET	1	26	BKT0015956	KNOTTER WORK LIGHT BRACKET	2
10	F 0006551	BATTERY HOLD DOWN BOLT	2	27	WLK0000500	1/2" LOCKWASHER - PLATED	4
11	BKT0233530	L. H. REAR LIGHT BRACKET	1	28	NCH0000500	1/2" NC HEX NUT - PLATED	4
11	BKT0233531	R. H. REAR LIGHT BRACKET	1	29	NMS0000117	5/16 NC WHIZ NUT - PLATED	2
12	LIT1410122	STOP/TAIL LAMP-COMplete	2	30	BKT0021619	MOUNT BRACKET AND SHIELD	1
13	LIT2714522	DUAL ELEMENT BULB F/LIT1410122	A/R	31	LIT0020171	HALOGEN WORK LIGHT	2
14	LIT1410112	DIRECTIONAL LAMP-COMplete	2	32	SCC0050002	1/2 X 1 NC HT CS - PLATED	2
14	LIT2714521	SINGLE ELEM BULB F/LIT1410112	A/R	33	BKT0016005	FRONT WORK LIGHT BRACKET	2
15	LIT0070510	FLOOD LIGHT F/F6558	A/R	34	FD 0015900	DECAL KIT, (DOMESTIC)	A/R
16	F 0006558	HEADLIGHT W/HOUSING	2	34	FD 001590E	DECAL KIT, (EUROPEAN)	A/R
17	SCC0030002	3/8 X 1 NC HT CS - PLATED	4	35	SHD0023979	LEFT REAR SHIELD SN#124+	1
				35	SHD0023980	RIGHT REAR SHIELD SN#124+	1

TIRE AND WHEEL GROUP



REF NO.	PART NO.	DESCRIPTION	QTY. USED
1	WHL0001500	TIRE & WHEEL ASB	2
2	TIR2312610	23.1-26 12 PLY TUBLS TIRE	2
3	WHL0506303	WHEEL - NO BRAKES	2
3	WHL0508184	WHEEL - WITH BRAKES	A/R
4	NMS0000872	WHEEL NUT F/HUB871 &HUB873	20
5	19-109	VALVE STEM	2
6	SCC0020001	5/16 X 3/4 NC HT CS - PLATED	8
7	WLK0000313	5/16" LOCKWASHER - PLATED	8
8	HUB0909915	HUB CAP F/HUB871 & HUB873	2
9	NSL0013750	1-3/8 NF HVY. SLOTTED NUT	2
10	COT0000807	3/16 X 2-1/2 COTTER PIN	2
11	WCT0137500	1-3/8" FLATWASHER	2
12	ZZ 0000238	1-3/8 X 2-1/8 OD X 10 GA BSHNG	2
13	BRG0000455	OUTER BEARING CONE	2
14	BRG0000453	OUTER BEARING CUP	2
15	HUB0010873	HUB ONLY	2
16	NMS0000871	WHEEL BOLT F/HUB871	20
17	BRG0033462	INNER BEARING CUP	2
18	BRG0033287	INNER BEARING CONE	2
19	SEL0033772	OIL SEAL	2
20	SPN0023108	WHEEL SPINDLE	2
21	NCE0001250	1-1/4" NC ESNA NUT - PLATED	2
22	SCC0001322	1-1/4 X 8 NC HT CAP SCREW	2
23	HUB0000873	HUB ASSEMBLY	2
24	FD 0023951	LUG NUT DECAL	2

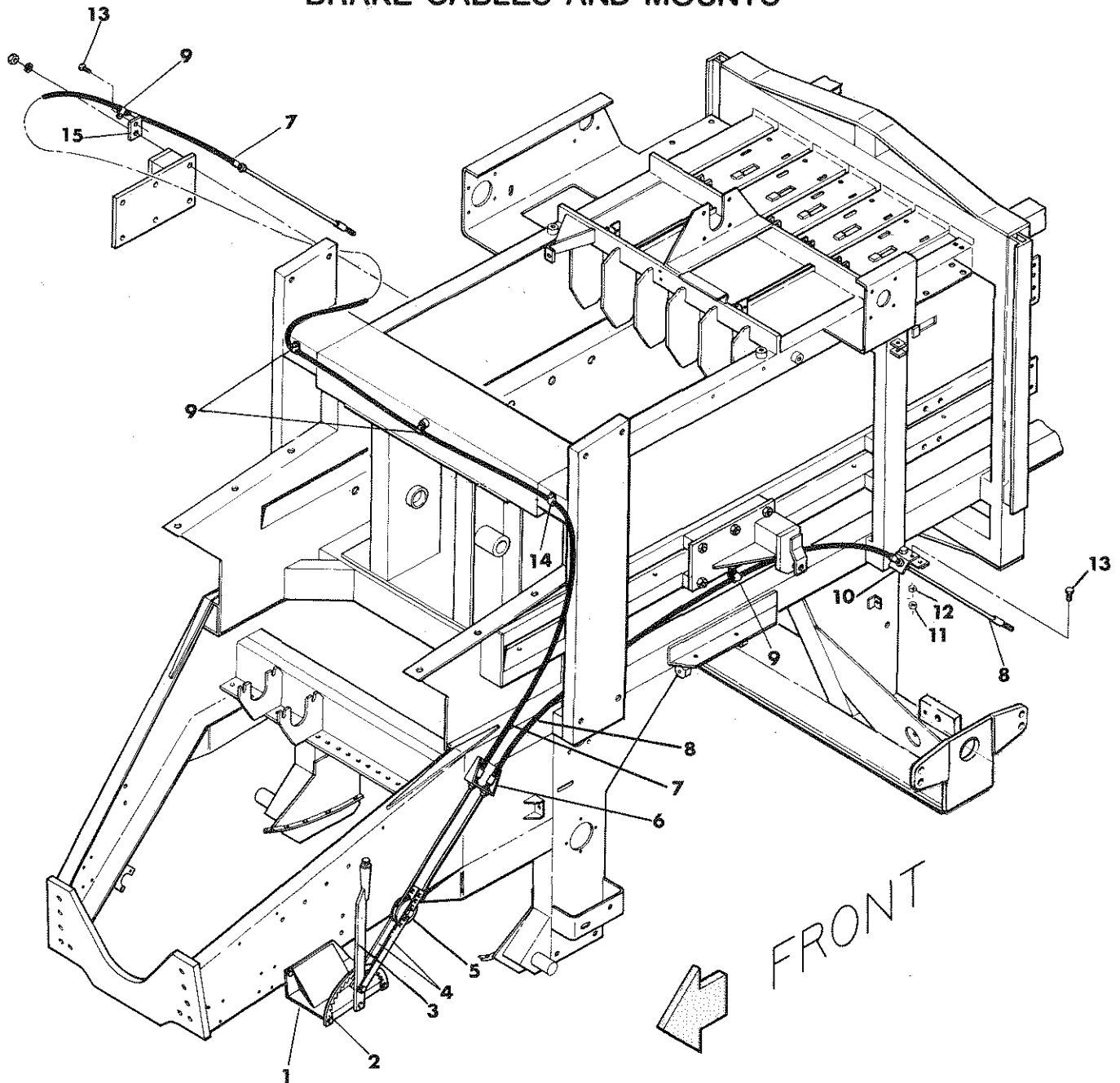
BRAKE RATCHET ASSEMBLY AND MOUNT



BRAKE RATCHET ASSEMBLY AND MOUNT

REF NO.	PART NO.	DESCRIPTION	QTY. USED
1	RAT0021872	RATCHET MOUNT ASSEMBLY	1
2	NCH0000375	3/8" NC HEX NUT - PLATED	7
3	WLK0000375	3/8" LOCKWASHER - PLATED	7
4	NCE0003750	3/8" NC ESNA NUT	2
5	NCE0002500	1/4" NC ESNA NUT	2
6	WCT0000250	1/4" FLATWASHER - PLATED	1
7	BKT0021896	BREAK AWAY CABLE BKT ASSY	1
8	SCB0000103	1/4 X 1-1/4 NC BRT GR 2 CS	1
9	RAT0021858	MECHANICAL BRAKE RATCHET	1
10	SCC0030002	3/8 X 1 NC HT CS - PLATED	7
11	F 0000246	KNOTTER BRAKE DISC WASHER	2
12	WCT0000625	5/8" FLATWASHER - PLATED	2
13	SCC0080306	3/8 X 2 NC GR 8 CAP SCREW	1
14	SCC0030006	3/8 X 2 NC HT CS - PLATED	1
15	BRG000MI6N	INNER RACE BEARING	2
16	LNK0021940	BREAK AWAY CBL ATTACH LNK	1
17	WCT0000375	3/8" FLATWASHER - PLATED	3
18	HAN0021859	BRAKE RATCHET HANDLE ASSY	1
19	MNT0021863	PULLEY MOUNT BAR	2
20	SCC0050006	1/2 X 2 NC HT CS - PLATED	1
21	BRG000MI8N	3/4" INNER RACE BRG	1
22	SCC0010002	1/4 X 1 NC HT CS - PLATED	1
23	PUL0000400	PULLEY 4" F/5/16 CABLE-49/64	1
24	CBL5051113	L. H. BRACKET CABLE 113"	1
25	CBL5052231	R. H. BRACKET CABLE 231"	1
26	BKT0021864	FRT CABLE ATTACHEMENT BKT	1
27	WLK0000500	1/2" LOCKWASHER - PLATED	1
28	NCH0000500	1/2" NC HEX NUT - PLATED	1

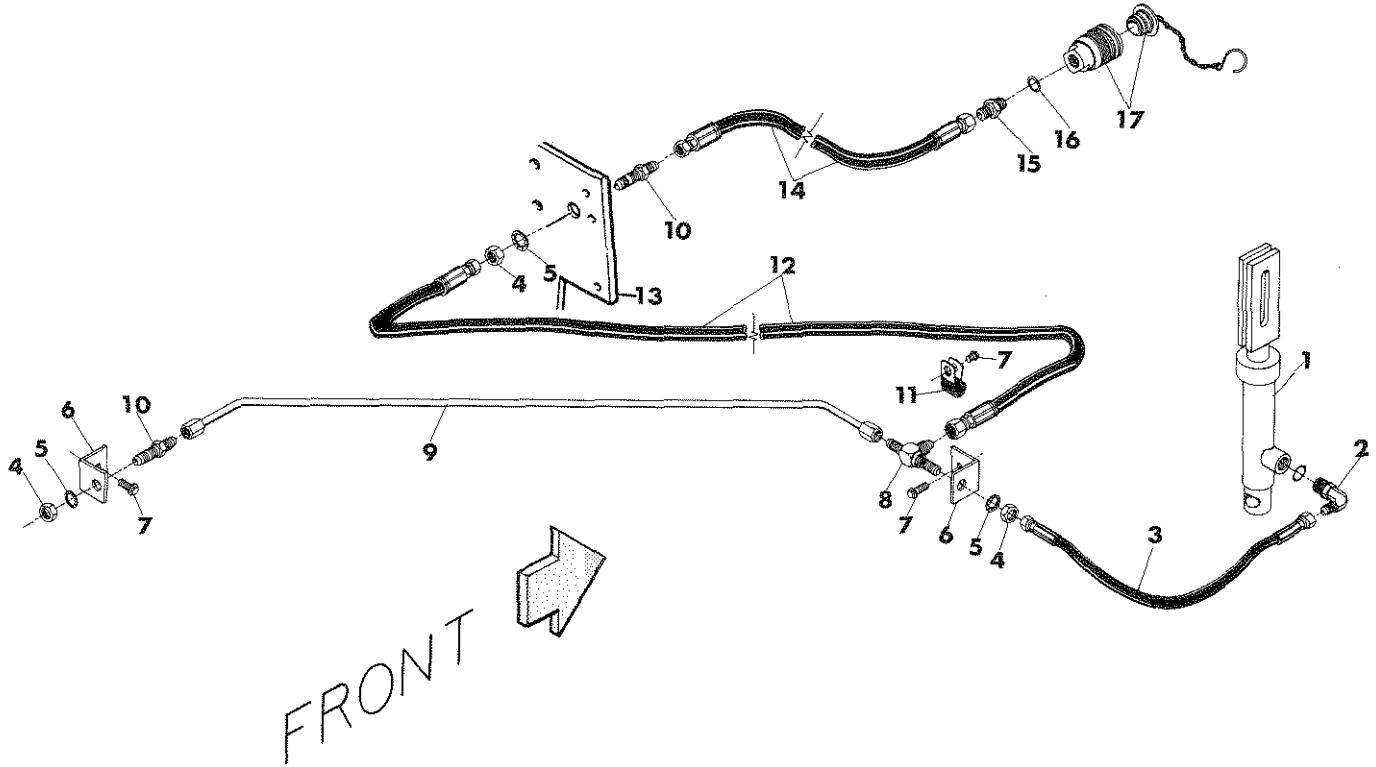
BRAKE CABLES AND MOUNTS



REF NO.	PART NO.	DESCRIPTION	QTY. USED
1	RATO021872	RATCHET MOUNT ASSEMBLY	1
2	RATO021858	MECHANICAL BRAKE RATCHET	1
3	HANO021859	BRAKE RATCHET HANDLE ASSEMBLY	1
4	MNTO021863	PULLEY MOUNT BAR	2
5	PULO0000400	PULLEY 4" F/5/16 CABLE-49/64	1
6	BKTO021864	FRONT CABLE ATTACHMENT BRACKET	1
7	CBL5052231	R. H. BRACKET CABLE 231"	1
8	CBL5051113	L. H. BRACKET CABLE 113"	1
9	CLPO0000121	CONDUIT CLAMP	4
10	BKTO023539	BRAKE CABLE BRACKET	2
11	NCHO0000313	5/16 NC HEX NUT - PLATED	6
12	WLKO0000313	5/16" LOCKWASHER - PLATED	6
13	SCCO020003	5/16 X 1-1/4 NC HT CS - PLATED	6
14	CLPO0000145	3/4 W 3/8 HOLE VINYL CLAMP	1
15	BKTO021907	CABLE CONDUIT HOLD DWN BRACKET	2

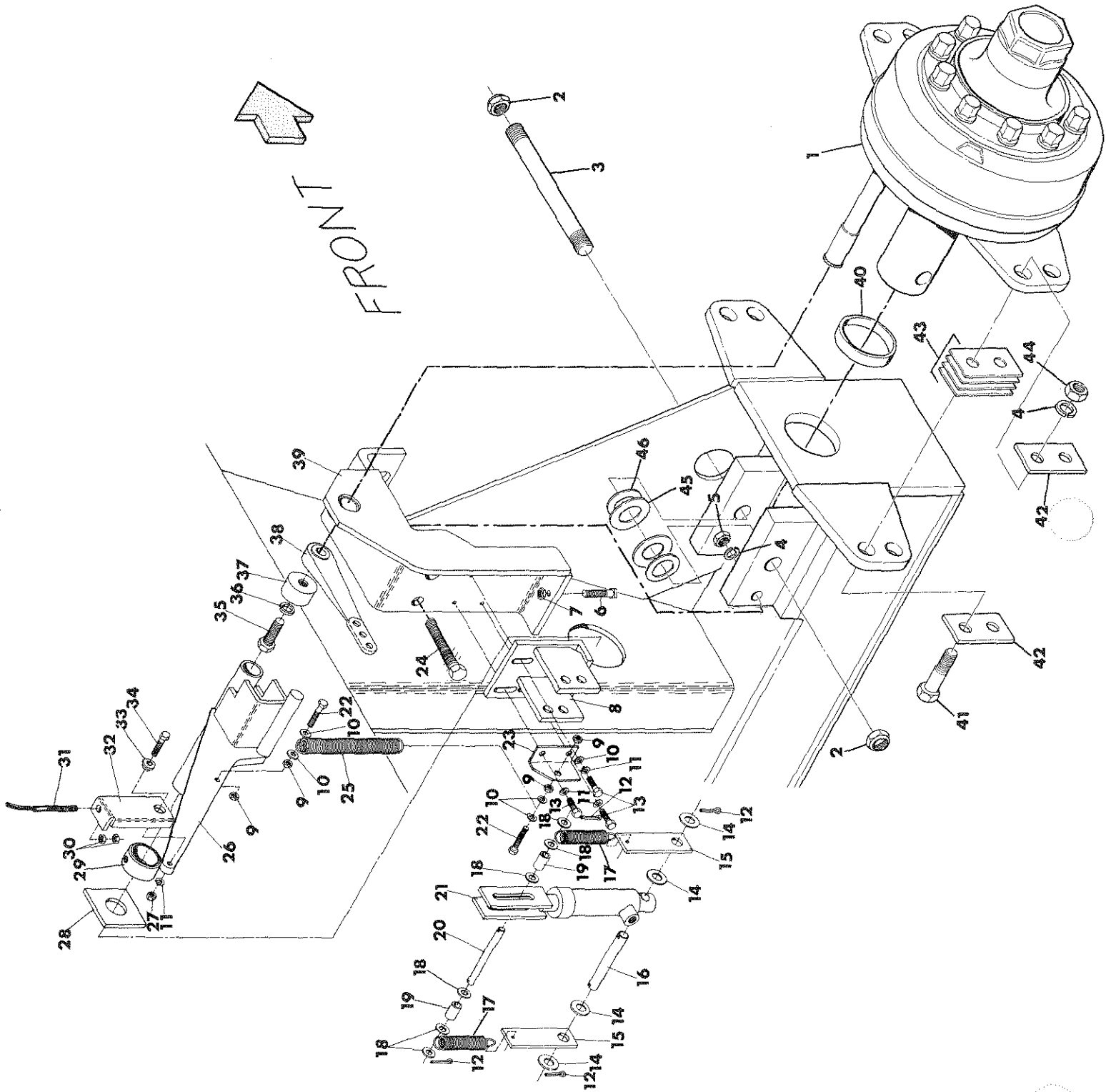
BRAKE HYDRAULICS

NOTE: L.H. INSTALLATION AS SHOWN, (SN# 104 - 123).
FOR R.H. INSTALLATION, (SN# 124+), PARTS NEED
ONLY BE REVERSED.



REF NO.	PART NO.	DESCRIPTION	QTY. USED
1	CYL0021635	BRAKE ACTIVATION CYLINDER	2
2	HYD5515034	3/8 JIC X 1/2 O-RING 90* ELBOW	2
3	HOS0021886	BRAKE CYLINDER HOSE	2
4	HYD5924030	3/8" BULKHEAD NUT	3
5	WIS0005625	9/16 INTERNAL STAR WASHER-PLT	3
6	BKT0021882	BRAKE FITTING BLKHEAD BKT	2
7	SMS0000184	5/16 X 3/4 NC WHIZ BOLT-PLATED	3
8	HYD5726030	3/8 JIC BULKHEAD RUN TEE	1
9	TBE0021887	L.H. BRAKE TUBE	1
10	HYD5325030	3/8 JIC BULKHEAD UNION	2
11	CLP0000145	3/4 W 3/8 HOLE VINYL CLAMP	1
12	HOS0021885	BRAKE LINE SUPPLY HOSE	1
13	SHD0023442	SHEAVE FRONT LOWER SHIELD	1
14	HOS0021952	BRAKE LINE COUPLING HOSE	1
15	HYD5315040	1/2JIC X 1/2 O-RNG ST THD CONN	1
16	GSK0000678	GASKET	1
17	CPL0052361	BRAKE HOSE COUPLER	1

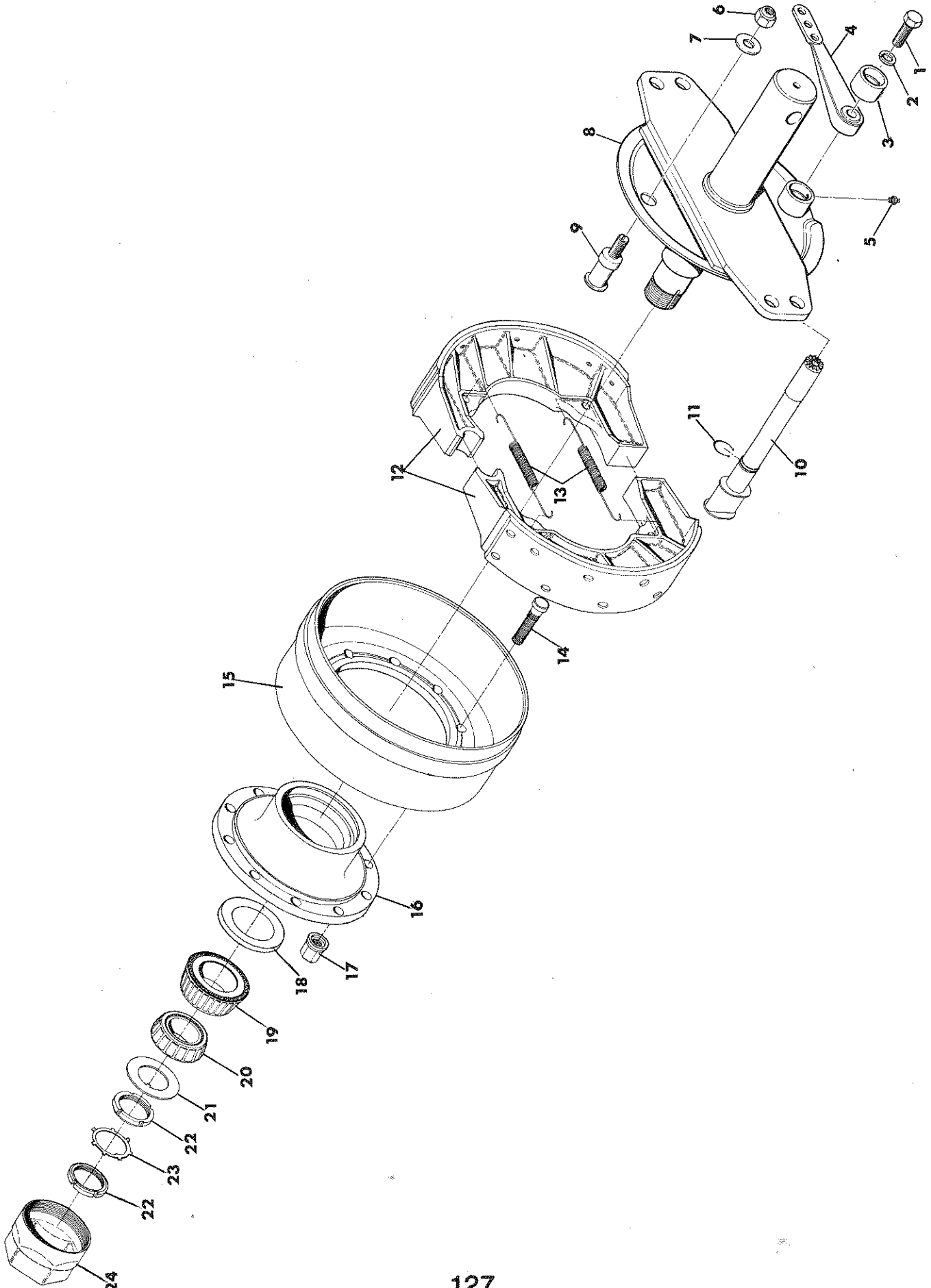
BRAKE ACTUATOR ASSEMBLY



BRAKE ACTUATOR ASSEMBLY

REF NO.	PART NO.	DESCRIPTION	QTY. USED
1	BRK8714730	SPINDLE/HUB/BRAKE ASSY	2
2	NEJ0001250	1-1/4" NF ESNA JAM NUT - PLTD	4
3	ROD0023525	BRAKE SPINDLE ROD	2
4	WLK0007500	3/4" LOCKWASHER	10
5	NCH0007500	3/4" NC HEX NUT	2
6	SQS5002000	1/2 X 2 SQ HD SCREW	2
7	NCJ0005000	1/2" NC JAM NUT	2
8	BKT0021697	L. H. BRAKE CYLINDER BKT	1
8	BKT0021700	R. H. BRAKE CYLINDER BKT	1
9	NCJ0003750	3/8" NC JAM NUT	4
10	WCT0000375	3/8" FLATWASHER - PLATED	10
11	WLK0000375	3/8" LOCKWASHER - PLATED	6
12	COT0000705	5/32 X 2 COTTER PIN	8
13	SCC0000302	3/8 X 1 NC HT CAP SCREW	6
14	WCT0007500	3/4" FLATWASHER	8
15	LNK0021710	CYLINDER RETURN SPRG LINK	4
16	PIN0021707	CYLINDER BUTT MOUNT PIN	2
17	SPG0010555	BRAKE ACT. CYLINDER SPRING	4
18	WAS0000104	1/2 STRUCTURAL WASHER	8
19	SPC0021881	SPRING SPACER	4
20	PIN0021708	CYLINDER ROD MOUNT PIN	2
21	CYLO021635	BRAKE ACTIVATION CYLINDER	2
22	SCC0000305	3/8 X 1-3/4 NC HT CAP SCREW	4
23	BKT0218830	L.H. CABLE SPRING BRACKET	1
23	BKT0218831	R.H. CABLE SPRING BRACKET	1
24	SCC0000814	3/4 X 4 NC HT CAP SCREW	2
25	F 0001517	TRIP SPRING	2
26	LEV0021701	L.H. BRAKE CBL LEVER ASSY	1
26	LEV0021705	R.H. BRAKE CBL LEVER ASBY	1
27	NCH0000375	3/8" NC HEX NUT - PLATED	2
28	DRW0021876	BRAKE LEVER BEARING PLATE	2
29	ZZ 0002014	1-3/4 SET COLLAR	2
30	NFH0000375	3/8" NF HEX NUT - PLATED	4
31	CBL5051113	L. H. BRACKET CABLE 113"	1
31	CBL5052231	R. H. BRACKET CABLE 231"	1
32	ANCO217090	L. H. REAR CABLE ANCHOR	1
32	ANCO217091	R. H. REAR CABLE ANCHOR	1
33	F 0000440	FERRULE	2
34	SCC0000304	3/8 X 1-1/2 NC HT CAP SCREW	2
35	SCCM018050	18M X 50M MC HEX HD CS-GR 8.8	2
36	WLKM100180	18 MM LOCKWASHER - PLATED	2
37	HUB0021706	BRAKE LEVER HUB	2
38	LEV5910011	BRAKE CAM LEVER	2
39	SUP0023521	L. H. BRAKE ACTUATION SUPT ASY	1
39	SUP0023522	R. H. BRAKE ACTUATION SUPT ASY	1
40	SPC0023526	BRAKE SPINDLE SPACER	2
41	SFC0000810	3/4 X 3 NF HT CAP SCREW	8
42	WAS0024386	WASHER	8
43	SHM0024385	SHIM -16 GA	16
44	NFH0007500	3/4" NF HEX NUT	8
45	F 0004159	1-3/8 X 10 GA MACHINE BUSHING	4
46	F 0004161	1-3/8 X 18 GA MACHINE BUSHING	A/R

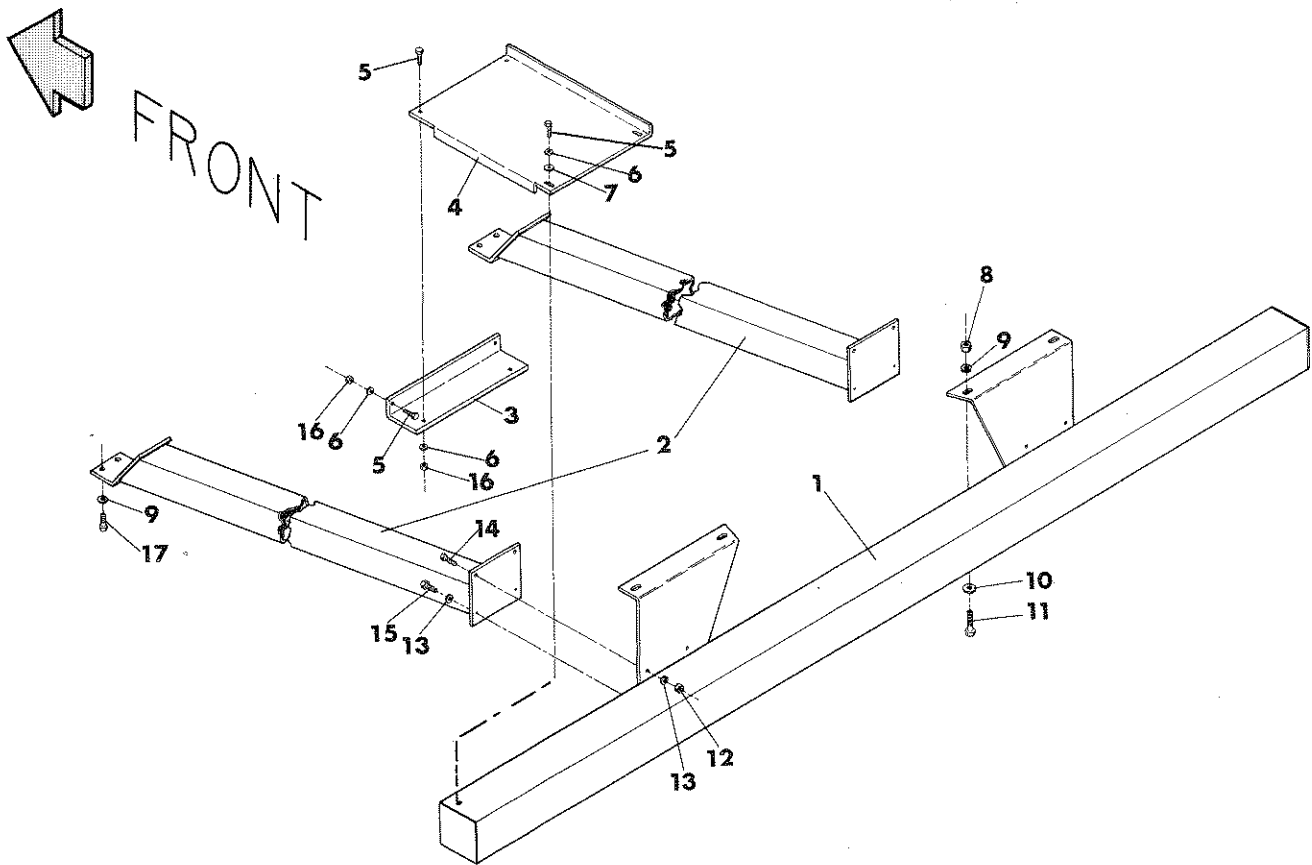
BRAKE AND SPINDLE ASSEMBLY



BRAKE AND SPINDLE ASSEMBLY
BRK8714730 SPINDLE/HUB/BRAKE ASSEMBLY

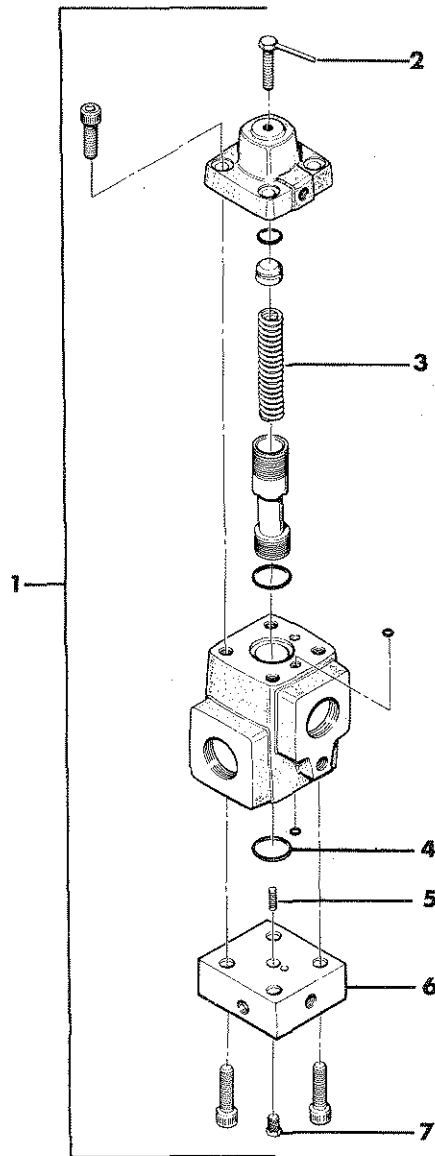
REF NO.	PART NO.	DESCRIPTION	QTY. USED
1	SCCM018050	18M X 50M MC HEX HD CS-GR 8.8	1
2	WLKM100180	18 MM LOCKWASHER - PLATED	1
3	HUB0021706	BRAKE LEVER HUB	1
4	LEV5910011	BRAKE CAM LEVER	1
5	ZZ 2411001	GREASE ZERK	1
6	NMS2212010	NUT	1
7	WAS2802017	WASHER	1
8	SPN0024406	SPINDLE	1
9	PIN5601010	ANCHOR PIN	1
10	CAM8010070	BRAKE CAM	1
11	CLP2102011	CIRCLE CLIP	1
12	BRK7111034	BRAKE SHOE, COMPLETE	2
13	SPG5107021	RELEASE SPRING	2
14	STD8307065	WHEEL STUD	10
15	BRK8010059	BRAKE DRUM	1
16	HUB8710080	HUB	1
17	NMS6406026	WHEEL NUT	10
18	SPC8312025	BEARING SPACER	1
19	BRG0032016	INNER BEARING	1
20	BRG0032212	OUTER BEARING	1
21	WAS6503024	WASHER	1
22	NMS6405028	LOCK NUT	2
23	WLK2304060	LOCKING WASHER	1
24	CAP7012009	HUB CAP	1

OPTIONAL BUMPER BAR ASSEMBLY



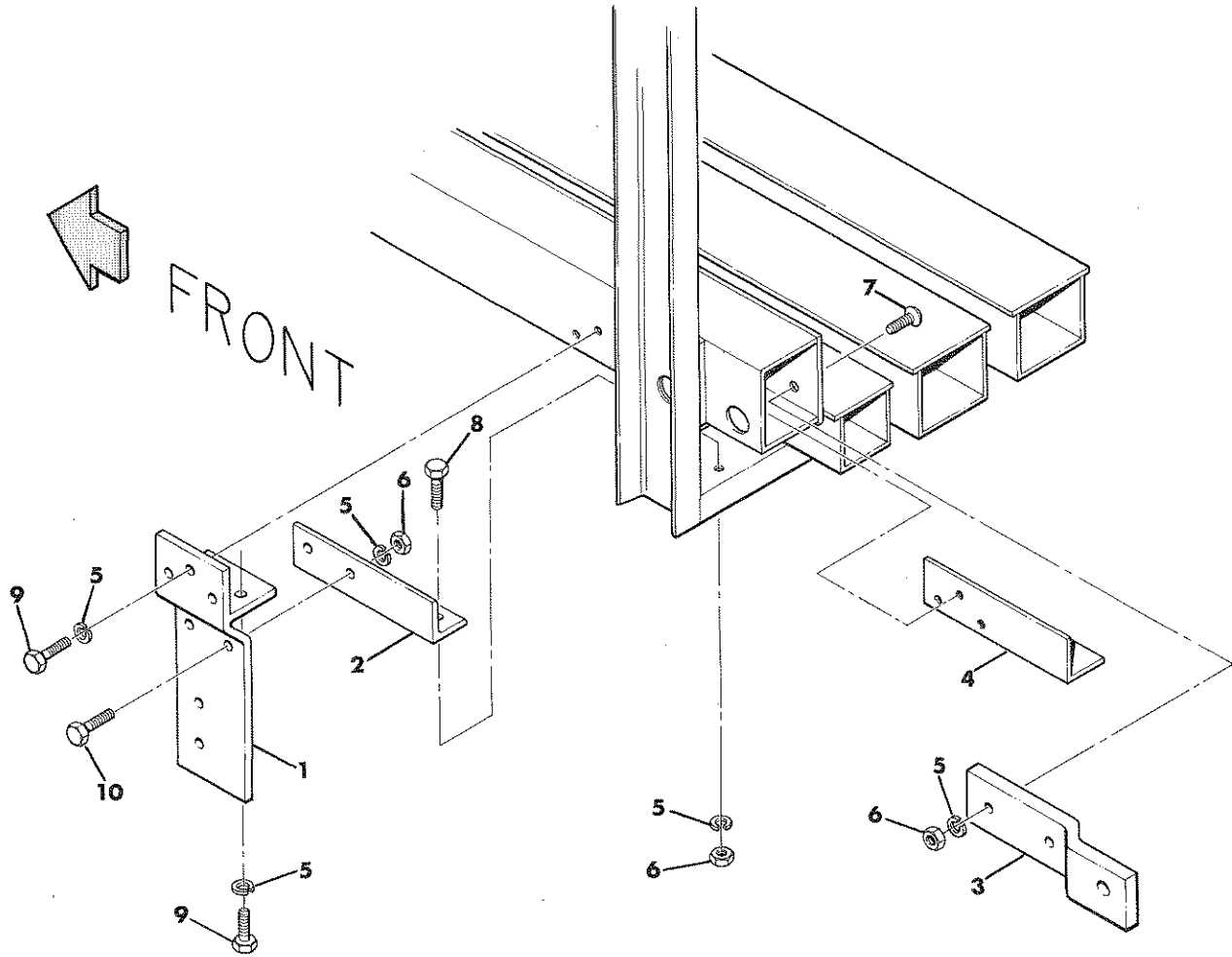
REF NO.	PART NO.	DESCRIPTION	QTY. USED
1	BMPO022592	BUMPER BAR ASSEMBLY	1
2	BRC0023447	BUMPER BRACE ASSEMBLY	2
3	SUP0022597	BUMPER STEP SUPPORT	1
4	STPO022596	BUMPER STEP	1
5	SCC0020002	5/16 X 1 NC HT CS - PLATED	6
6	WLK0000313	5/16" LOCKWASHER - PLATED	6
7	WCT0000313	5/16" FLATWASHER - PLATED	2
8	NCH0000500	1/2" NC HEX NUT - PLATED	4
9	WLK0000500	1/2" LOCKWASHER - PLATED	8
10	WCT0000500	1/2" FLATWASHER - PLATED	4
11	SCC0050005	1/2 X 1-3/4 NC HT CS - PLATED	4
12	NCH0000375	3/8" NC HEX NUT - PLATED	4
13	WLK0000375	3/8" LOCKWASHER - PLATED	8
14	SCC0030003	3/8 X 1-1/4 NC HT CS - PLATED	4
15	SCC0030002	3/8 X 1 NC HT CS - PLATED	4
16	NCH0000313	5/16 NC HEX NUT - PLATED	4
17	SCC0050002	1/2 X 1 NC HT CS - PLATED	4

MANUAL CONTROLLED UNLOADER VALVE ASSEMBLY VLV0104000



REF NO.	PART NO.	DESCRIPTION	QTY. USED
1	VLV0104000	MANUAL TENSION UNLOADER VALVE	1
2	VLV0024086	MANUAL ADJUSTMENT BOLT	1
3	SPG0015800	UNLOADER VALVE SPRING	1
4	RNG2222V90	O-RING V894-90 VITON 90 DURO	1
5	VLV0017225	UNLOADER VALVE PISTON	1
6	HSN0022158	UNLOADER VALVE PILOT HOUSING	1
7	HYD3159010	1/8 HEX HEAD STEEL PIPE PLUG	1
	SEL9511004	O-RING SEAL KIT F/YKN HT10C4	A/R

BALE ACCUMULATOR HITCH



REF NO.	PART NO.	DESCRIPTION	QTY. USED
1	HTH2420500	L.H. BALE ACCUM HITCH ASSEMBLY	1
1	HTH2420501	R.H. BALE ACCUM HITCH ASSEMBLY	1
2	HTH2420300	L.H. ACCUM HITCH SUPPORT BKT	1
2	HTH2420301	R.H. ACCUM HITCH SUPPORT BKT	1
3	HTH2420100	L.H. ACCUM HITCH MOUNT BAR	1
3	HTH2420101	R.H. ACCUM HITCH MOUNT BAR	1
4	HTH2420600	L.H. HITCH MOUNTING PLATE	1
4	HTH2420601	R.H. HITCH MOUNTING PLATE	1
5	WLK0000500	1/2" LOCKWASHER - PLATED	22
6	NCH0000500	1/2" NC HEX NUT - PLATED	12
7	SBH0005004	1/2 X 1-1/2 NC BUTTON HD - PLT	4
8	SCC0050003	1/2 X 1-1/4 NC HT CS - PLATED	4
9	SCC0050005	1/2 X 1-3/4 NC HT CS - PLATED	10
10	SCC0050004	1/2 X 1-1/2 NC HT CS - PLATED	4