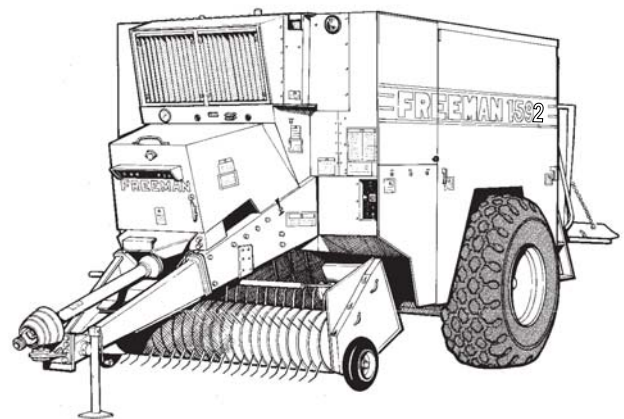
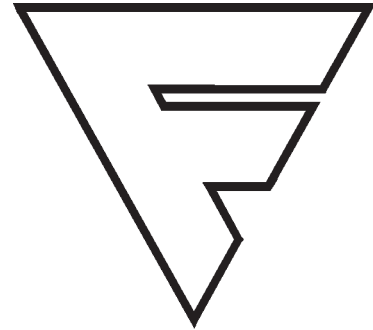


FREEMAN



PARTS MANUAL
1592
BIG BALER

SAFETY

Allied Systems Co. is greatly concerned with safety. The Freeman Equipment is furnished with safety features. Even with these safety features, personal injury can still occur if the operator is careless, negligent or thoughtless when maintaining, lubricating, operating, unclogging, or servicing the machine.

Your Freeman Equipment has safety shields to help prevent personal injury. Do not operate the machine unless all shields are in place. There are also "CAUTION," "DANGER," and "BE CAREFUL" decals on the machine. Read and pay attention to the decals. Following is a list of precautions that should be taken to help prevent personal injury:

1. **KEEP ALL SHIELDS IN PLACE.**
2. **SHUT OFF TRACTOR ENGINE BEFORE ADJUSTING, LUBRICATING, CLEANING OR SERVICING THE BALER.**
3. **WAIT FOR ALL MOVEMENT TO STOP BEFORE SERVICING BALER.**
4. **KEEP HANDS, FEET, AND CLOTHING AWAY FROM POWER DRIVEN PARTS.**
5. **KEEP ALL SHIELDS INSTALLED AND KEEP CLEAR OF THE P.T.O. DRIVE LINE.**
6. **KEEP ALL OTHERS OFF BALER.**
7. **USE APPROPRIATE SIGNS OR WARNING LIGHTS WHEN OPERATING ON HIGHWAYS.**
8. **MAKE CERTAIN EVERYONE IS CLEAR OF BALER BEFORE ENGAGING P.T.O.**
9. **DO NOT RIDE ON ANY PART OF THE BALER WHILE IN OPERATION.**
10. **KEEP HANDS AND FEET CLEAR OF PICKUP.**
11. **KEEP HANDS AWAY FROM KNOTTER WHEN BALER P.T.O. DRIVE IS ENGAGED.**
12. **PERIODICALLY CHECK ALL NUTS AND BOLTS FOR TIGHTNESS.**
13. **ALWAYS USE LIGHTS FOR NIGHT WORK.**
14. **AS A SAFETY PRECAUTION IT IS RECOMMENDED THAT AN "ABC" FIRE EXTINGUISHER BE CARRIED ON THE BALER AT ALL TIMES. IT IS ALSO RECOMMENDED TO CARRY A FOUR GALLON WATER CONTAINER WITH PUMP, OR AS REQUIRED BY LOCAL AND STATE LAW.**
15. **AVOID LOOSE CLOTHING WHICH CAN EASILY BE CAUGHT IN MOVING PARTS.**
16. **REMEMBER 'SAFETY' IS ONLY A WORD UNTIL IT IS PUT INTO PRACTICE.**



WARNING: SOME ILLUSTRATIONS IN THIS PARTS LIST SHOW THE BALER WITHOUT SHIELDS TO ALLOW FOR A BETTER VIEW OF THE AREA BEING ADDRESSED. THE BALER SHOULD NEVER BE OPERATED WITH ANY OF THE SAFETY SHIELDS REMOVED.

INTRODUCTION

HOW TO USE THE MANUAL

This manual contains illustrations and parts lists of components and assemblies which make up the machine. Each page consists of the name of the assembly or component, a reference number, part number, part name and the quantities of the part used.

Assembly or component names help identify the illustration and parts list for each figure. This name also helps locate the general area of the machine where the assembly or component can be located.

Reference numbers shown in a column refers to the numbered parts in the illustration. This ties the part in the illustration to the part number and description in the parts list.

Part numbers are used to identify individual parts or part assemblies.

Part descriptions provide the name of the part, plus additional information such as dimensional specification and what parts are grouped together to form part assemblies, which helps you identify the part(s).

Quantities listed for each illustration are only for that assemble or component and not the total used per machine.

This parts manual is not intended to be a complete guide for machine service or repairs. Contact your dealer for any of your service or technical requirements.

UPDATING AND REORDERING MANUALS

The parts lists, illustrations and specifications in this manual are based on the latest information available at the time of publication. Your machine may have product improvement and options not yet contained in this manual.

A copy of this manual is supplied with each machine. Additional copies are available through you dealer. When ordering additional manuals, use the reorder number listed on the front cover and the quantity needed.

Ordering Parts

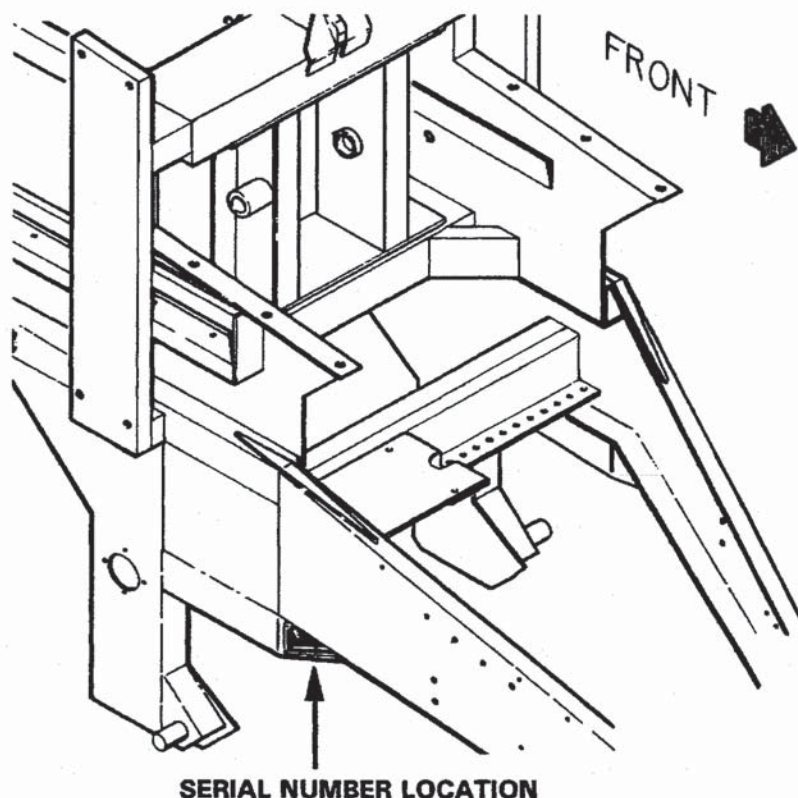
When ordering replacement parts, give the unit serial number, part number, name of part and quantity required. For any further information on parts, service or ordering, consult your local Freeman dealer.

Intentionally Blank

SERIAL NUMBER LOCATION AND IDENTIFICATION

SERIAL NUMBER LOCATION

The serial number is an important piece of information about the machine and it may be necessary to know it before obtaining correct replacement part. The serial number is located on the right, front tongue brace as shown.



FREEMAN S/N: 616 through 635
ALLIED SYSTEMS S/N: ASC-001 through Current

⚠ WARNING: SOME ILLUSTRATIONS IN THIS PARTS LIST SHOW THE BALER WITHOUT SHIELDS TO ALLOW FOR A BETTER VIEW OF THE AREA BEING ADDRESSED. THE BALER SHOULD NEVER BE OPERATED WITH ANY OF THE SAFETY SHIELDS REMOVED.

NOTE: ILLUSTRATIONS ARE FOR "ORDERING" INFORMATION ONLY, AND ARE NOT INTENDED FOR USE AS AN ASSEMBLY GUIDE.

TABLE OF CONTENTS

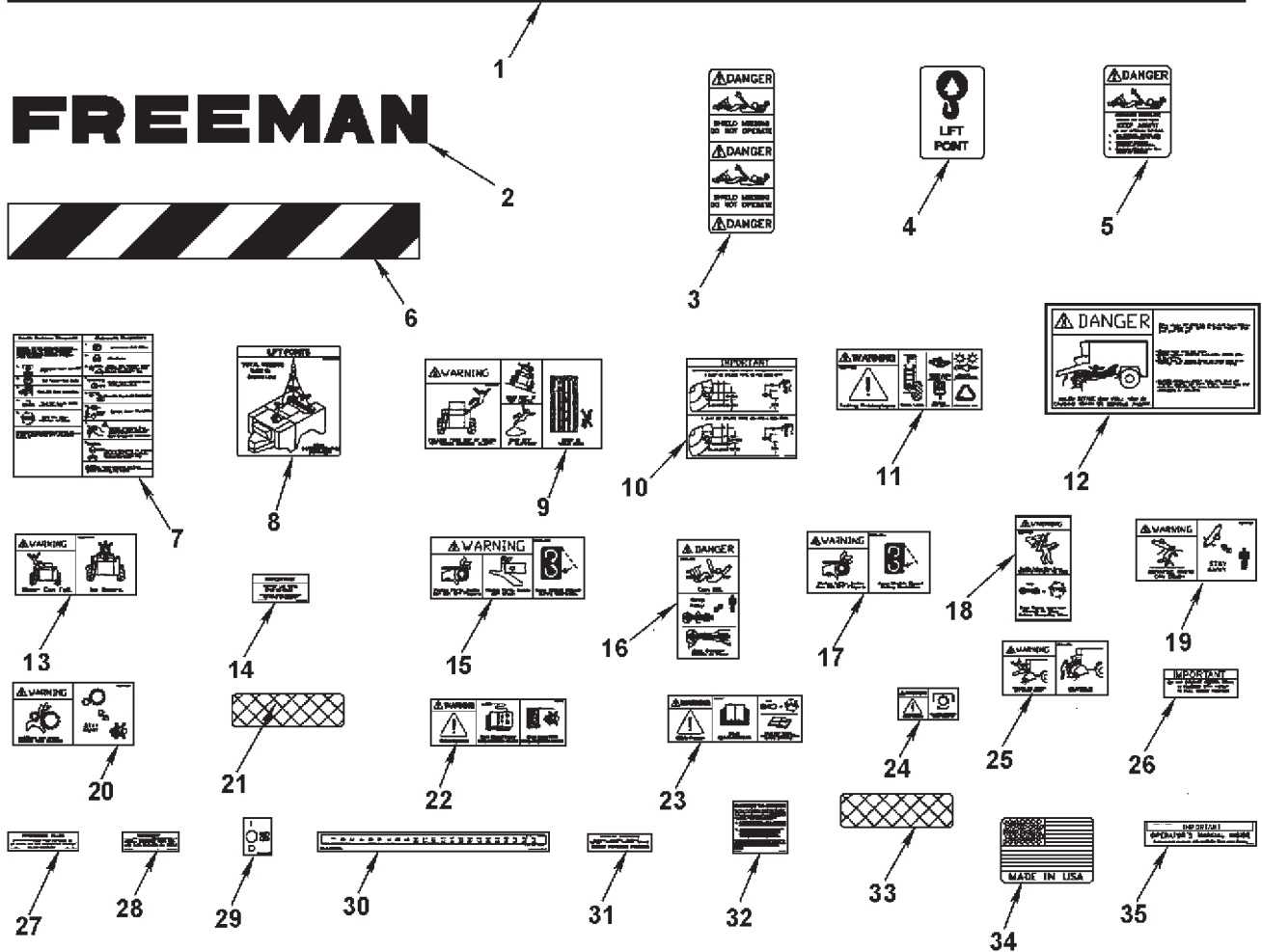
3-PIECE P.T.O. DRIVE LINE ASSEMBLY	46
BALE LENGTH ADJUSTMENT MECHANISM ASSEMBLY	100
BALL HITCH ASSEMBLY	40
BATTERY AND LIGHTS ASSEMBLY	150
CHAMBER LINERS AND PLUNGER EXTENSION FOR 34.5" CHAMBER	12
CHAMBER LINERS AND PLUNGER EXTENSION FOR 36" CHAMBER	14
CHAMBER LINERS AND PLUNGER EXTENSION FOR 38" CHAMBER	16
CONTROL BOX ASSEMBLY FREEMAN S/N 635 AND BEFORE	140
CONTROL BOX ASSEMBLY S/N ASC-1592-001 - CURRENT.....	142
CONTROL PANEL ASSEMBLY	144
DECAL ASSEMBLY	2
DECAL LOCATION DIAGRAM	4
DRIVE UNIT SHIELDS ASSEMBLY	36
FAN RELAY CONTROL BOX.....	148
FEED FORK ASSEMBLY	68
FEED FORK ASSEMBLY	70
FEED FORK DRIVE ASSEMBLY	78
FEEDER AND PICKUP DRIVE ASSEMBLY	76
FEEDER CRANK AND TINES ASSEMBLY	64
FEEDER CRANK ASSEMBLY	66
FULL FEED SENSOR ASSEMBLY	94
HYDRAULIC PICKUP LIFT ASSEMBLY	62
INFEED CHUTE ASSEMBLY	72
KNOTTER AND FEED FORK MANIFOLD VALVE/HOSE ASSEMBLIES	108
KNOTTER BRAKE ASSEMBLY	82
KNOTTER ASSEMBLY	86
KNOTTER DRIVE	90
KNOTTER LUBER ASSEMBLY	88
KNOTTER SHAFT ASSEMBLY	84
LOWER FRONT SHIELDS ASSEMBLY	30
LUBER PUMP & TANK ASSEMBLY.....	92
MAIN FRAME ASSEMBLY	6
MAIN SYSTEM HOSE ASSEMBLIES	106
MAIN SYSTEM HYDRAULIC FILTER COMPONENTS	122
MAIN SYSTEM HYDRAULICS ASSEMBLY	102
MAKE-UP CYLINDER COMPONENTS	128
MECHANICAL DRIVE UNIT ASSEMBLY	50
MECHANICAL DRIVE UNIT ASSEMBLY CONTINUED	52
NEEDLES AND NEEDLE YOKE ASSEMBLY	80
OIL COOLING SYSTEMS AND GAUGE PANEL ASSEMBLIES	124
OPTIONAL ROLLER BALE CHUTE ASSEMBLY.....	24
P.T.O. CLUTCH ASSY ASSEMBLY	48

TABLE OF CONTENTS

P.T.O. SHAFT ASSEMBLY.....	42
P.T.O. SHAFT ASSEMBLY	44
PART INDEX	149
PICKUP AND FEEDER CONTROL VALVE ASSEMBLY	74
PICKUP DRIVE COMPONENTS ASSEMBLY	60
PICKUP LIFT CYLINDER COMPONENTS	134
PICKUP REEL COMPONENTS ASSEMBLY	56
PICKUP SHIELDS AND MOUNTS ASSEMBLY	58
PLUNGER ASSEMBLY	18
PLUNGER CYLINDER COMPONENTS	126
PLUNGER CYLINDER VALVE ASSEMBLY	104
PLUNGER CYLINDERS AND MOUNTS ASSEMBLY	10
PLUNGER EXTENSIONS FOR 4 DOGS EACH SIDE MODEL.....	18
PLUNGER LIMIT SWITCHES ASSEMBLY	138
PLUNGER, FEEDER AND KNOTTER HOSE ASSEMBLIES	110
REAR CHAMBER AND BALE CHUTE ASSY	22
REMOTE CONTROL ASSEMBLY.....	146
RESERVOIR ASSEMBLY	120
SERVICE LADDER AND HANDRAILS ASSEMBLY	38
SHIELDS AND DOORS ASSEMBLY	28
SIDE SHIELDS AND DOOR SUPPORTS ASSEMBLY	26
SIDE TENSION CYLINDER COMPONENTS	132
TENSION CONTROL HOSE ASSEMBLIES	112
TENSION CONTROL TUBE ASSEMBLIES	114
TENSION RAILS ASSEMBLY	8
TENSION SYSTEM HOSE ASSEMBLIES	116
TIRE AND WHEEL ASSEMBLY	152
TOP AND BOTTOM TENSION CYLINDER COMPONENTS	130
TOP COVERS AND KNOTTER FANS ASSEMBLY	34
TWINE BOXES AND BRACKETS ASSEMBLY	32
TWINE FINGER DRIVE ASSEMBLY	96
TWINE TENSION ASSEMBLY (BOTTOM).....	98
UNLOADER VALVE COMPONENTS	118
WIND GUARD ASSEMBLY	54
WIRE HARNESS LOCATIONS	136

DECAL ASSEMBLY

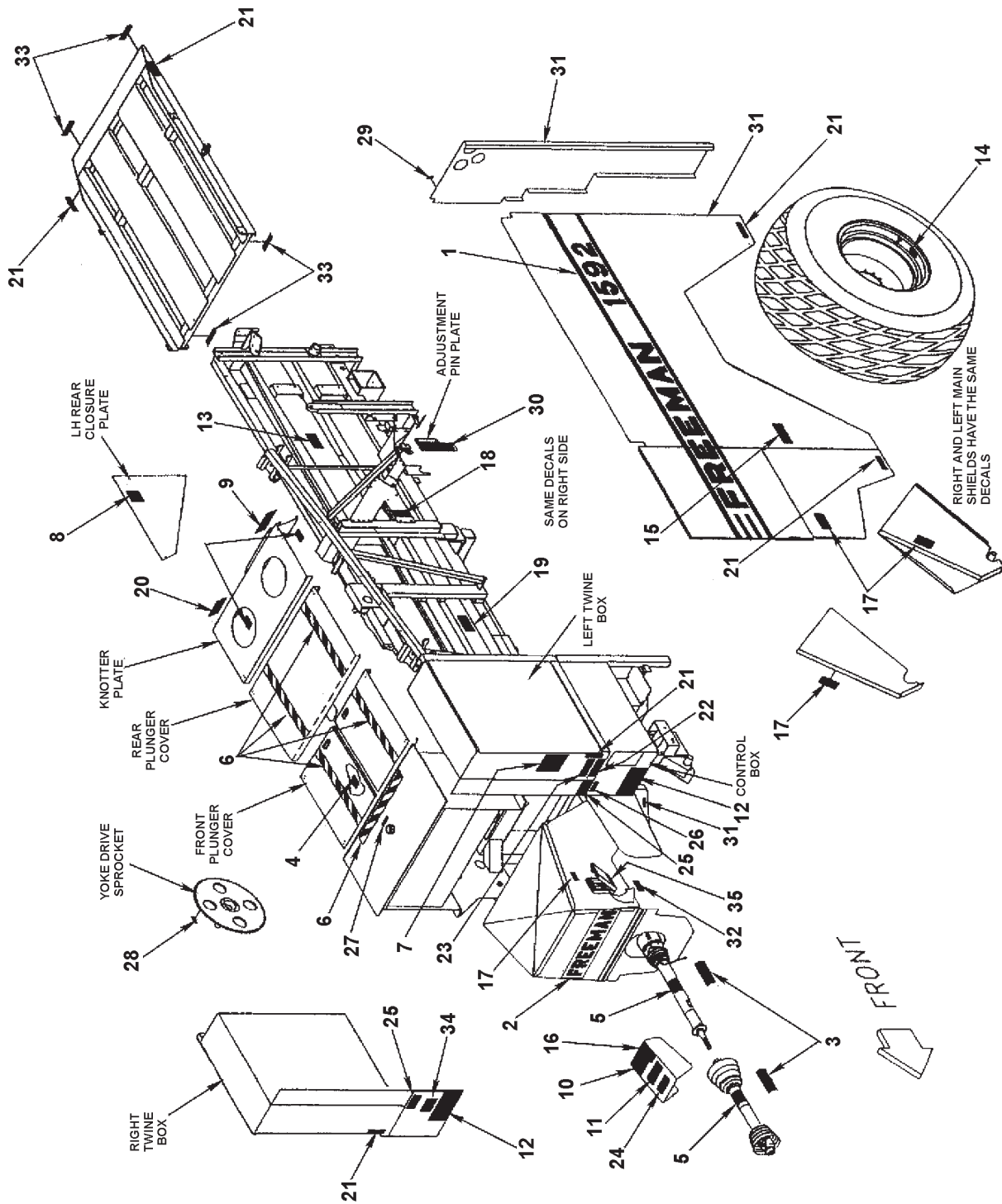
FREEMAN 1592



DECAL ASSEMBLY

REF NO.	PART NO.	DESCRIPTION	QTY. USED	REF NO.	PART NO.	DESCRIPTION	QTY. USED
1	FD 0024865	L. H. FREEMAN 1592 DECAL	1	18	FD7000A934	DECAL-WARNING NEEDLE FRAME	2
	FD 0024866	R. H. FREEMAN 1592 DECALS	1	19	FD7000A923	DECAL-WARNING FORK CRANK	2
2	FD 0007111	25" X 4" WHITE "FREEMAN" DECAL	1	20	FD7000A936	DECAL-WARNING KNOTTERS	2
3	FD70000108	DECAL-KEEP SHIELDS IN PLACE	2	21	FD70000722	DECAL-YELLOW REFLECTOR STICKON	8
4	FD70000445	DECAL-LIFT POINT	3	22	FD7000A932	DECAL-WARNING READ MANUAL	1
5	FD 0023531	"DANGER! ROTATING DEVICE..."	2	23	FD7000A937	DECAL-WARNING ALLOW TO STOP	1
6	FD0505626	DECAL-TAPE BLK/YELLOW 3"	14'	24	FD7000A944	DECAL-TOWING PRECAUTION	1
7	FD7000A961	DECAL-SHUTDOWN DIAGNOSTIC	1	25	FD7000A925	DECAL-WARNING USE LADDER	2
8	FD 0025249	DECAL-HOIST BALER-LIFT POINTS	1	26	FD 0029854	DECAL-FEEDER CRANK CAUTION	1
9	FD7000A920	DECAL-DANGER FALLING HAZARD	1	27	FD7000A943	DECAL-OIL REQUIREMENT	1
10	FD7000A952	DECAL-DRAWBAR HITCH	1	28	FD 0028042	DECAL-SPROCKET ORIENTATION	1
11	FD 0023537	"CAUTION!OPERATE AT 1000 RPM	1	29	FD7001A948	DECAL-FAN SWITCH	1
12	FD7000A897	DECAL-DANGER BALER INTAKE	2	30	FD 0022521	BALE LENGTH ADJ DECAL	1
13	FD 0023538	"WARNING!DO NOT RIDE ON..."	1	31	FD 0022124	DECAL,PATENT NUMBERS-HAY EQUIP	1
14	FD 0023951	DECAL LUG NUT	2	32	FD7000A983	DECAL-NOTICE TO OWNER	1
15	FD7000A933	DECAL-WARNING MOVING,CRUSH	2	33	FD70000170	DECAL-RED REFLECTOR	4
16	FD7000A919	DECAL-WARNING DRIVELINE	1	34	FD70000434	DECAL-MADE IN USA	1
17	FD7000A896	DECAL-WARNING MOVING PARTS	6	35	FD7000A938	DECAL-READ OPERATORS MANUAL	1

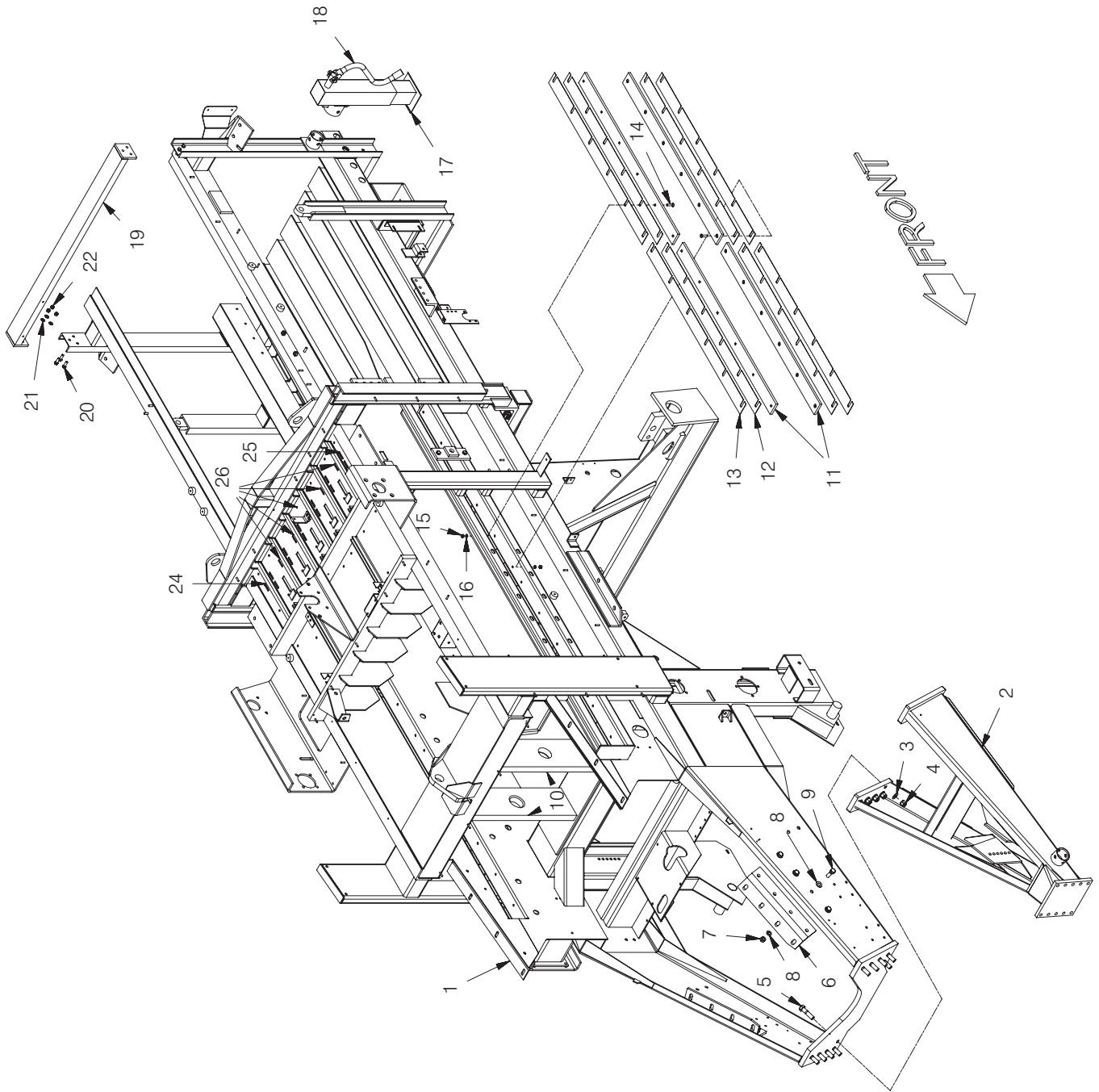
DECAL LOCATION DIAGRAM



DECAL LOCATION DIAGRAM

REF NO.	PART NO.	DESCRIPTION	QTY. USED	REF NO.	PART NO.	DESCRIPTION	QTY. USED
1	FD 0024865	L. H. FREEMAN 1592 DECAL	1	18	FD7000A934	DECAL-WARNING NEEDLE FRAME	2
	FD 0024866	R. H. FREEMAN 1592 DECALS	1	19	FD7000A923	DECAL-WARNING FORK CRANK	2
2	FD 0007111	25" X 4" WHITE "FREEMAN" DECAL	1	20	FD7000A936	DECAL-WARNING KNOTTERS	2
3	FD70000108	DECAL-KEEP SHIELDS IN PLACE	2	21	FD70000722	DECAL-YELLOW REFLECTOR STICKON	8
4	FD70000445	DECAL-LIFT POINT	3	22	FD7000A932	DECAL-WARNING READ MANUAL	1
5	FD 0023531	"DANGER! ROTATING DEVICE..."	2	23	FD7000A937	DECAL-WARNING ALLOW TO STOP	1
6	FD0505626	DECAL-TAPE BLK/YELLOW 3"	14'	24	FD7000A944	DECAL-TOWING PRECAUTION	1
7	FD7000A961	DECAL-SHUTDOWN DIAGNOSTIC	1	25	FD7000A925	DECAL-WARNING USE LADDER	2
8	FD 0025249	DECAL-HOIST BALER-LIFT POINTS	1	26	FD 0029854	DECAL-FEEDER CRANK CAUTION	1
9	FD7000A920	DECAL-DANGER FALLING HAZARD	1	27	FD7000A943	DECAL-OIL REQUIREMENT	1
10	FD7000A952	DECAL-DRAWBAR HITCH	1	28	FD 0028042	DECAL-SPROCKET ORIENTATION	1
11	FD 0023537	"CAUTION!OPERATE AT 1000 RPM	1	29	FD7001A948	DECAL-FAN SWITCH	1
12	FD7000A897	DECAL-DANGER BALER INTAKE	2	30	FD 0022521	BALE LENGTH ADJ DECAL	1
13	FD 0023538	"WARNING!DO NOT RIDE ON..."	1	31	FD 0022124	DECAL,PATENT NUMBERS-HAY EQUIP	1
14	FD 0023951	DECAL LUG NUT	2	32	FD7000A983	DECAL-NOTICE TO OWNER	1
15	FD7000A933	DECAL-WARNING MOVING,CRUSH	2	33	FD70000170	DECAL-RED REFLECTOR	4
16	FD7000A919	DECAL-WARNING DRIVELINE	1	34	FD70000434	DECAL-MADE IN USA	1
17	FD7000A896	DECAL-WARNING MOVING PARTS	6	35	FD7000A938	DECAL-READ OPERATORS MANUAL	1
				36	FD0037145B	"D" DECAL	2

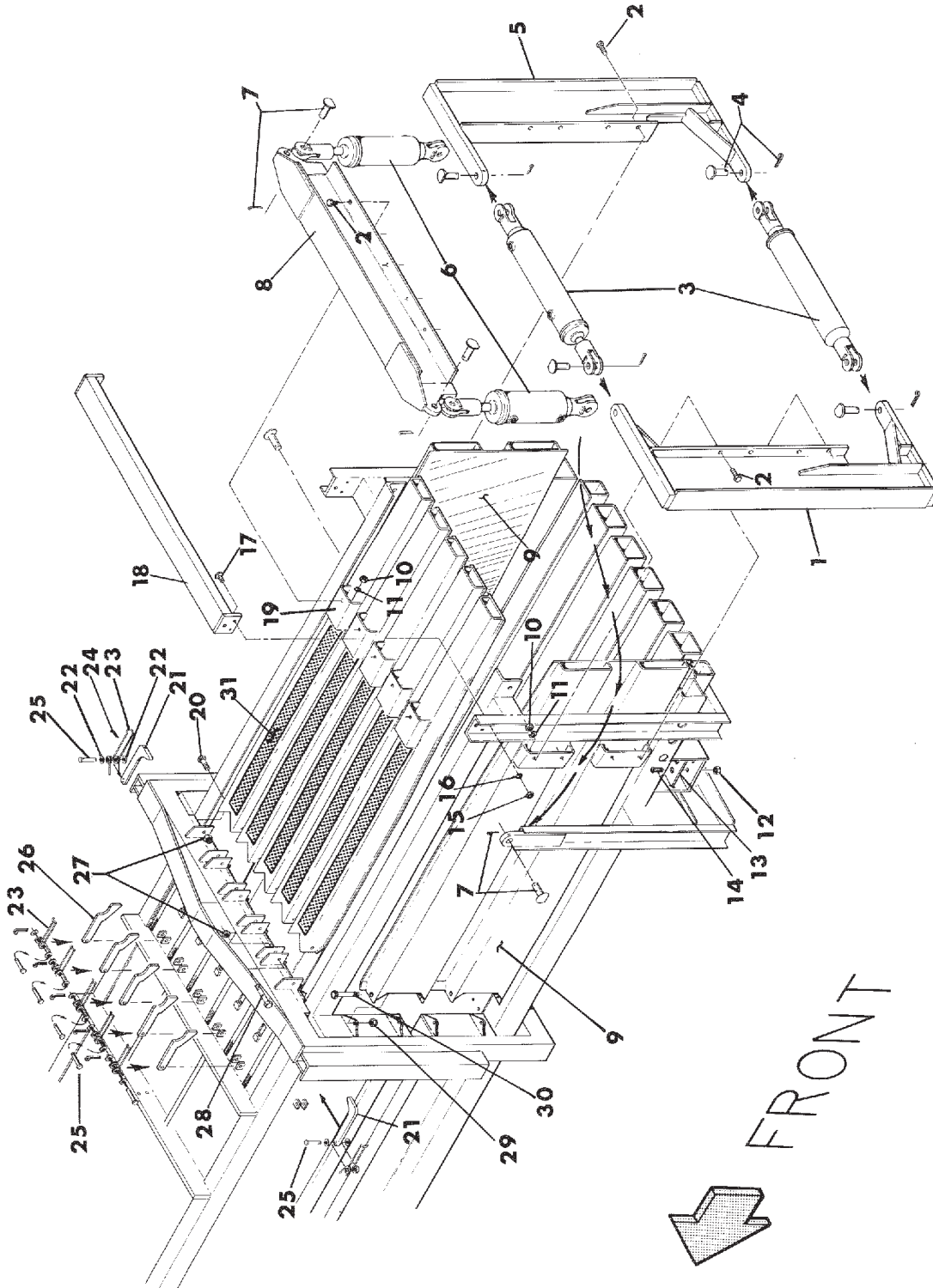
MAIN FRAME ASSEMBLY



MAIN FRAME ASSEMBLY

REF NO.	PART NO.	DESCRIPTION	QTY. USED	REF NO.	PART NO.	DESCRIPTION	QTY. USED
1	FRM036810E	MAIN FRAME W/2-PIECE TNG	1	15	PWB3751500	3/8 X 1-1/2 NC #3 PLOW BOLT-ZP	56
2	TNG0025604	FRONT TONGUE ASSEMBLY	1	16	R13809551	HEX NUT NC 3/8"	56
3	235546	WASHER, HARD; 3/4	10	17	234135	WASHER, LOCK; 3/8	56
4	235208	NUT, HEX; 3/4 NC GR8	10	18	252630	JACK	1
5	232854	CAPSCREW; 3/4 NF X 3 GR8	10	19	253019	JACK HANDLE	1
6	SUP0216270	PL,LH SUPT	1	20	YOK0024007	YOKE WLDMT,CHMR REAR FRAME	1
	SUP0216271	PL,RH SUPT	1	21	SCC0040004	HEX HD CS NC 7/16 X 1-1/2	6
7	NCH0006250	HEX NUT NC 5/8	8	22	WLK0004375	1/2" MEDIUM LOCKWASHER	8
8	223694	5/8" MEDIUM LOCKWASHER-PLAIN	8	23	234921	NUT, HEX; 1/2"	8
9	223694	5/8" MEDIUM LOCKWASHER-PLAIN	8	24	DRW0027720	PL,CHAMBER LH TOP	1
10	SCC0000706	HEX HD CS NC 5/8 X 2"	8	25	DRW0027721	PL,CHAMBER RH TOP	1
11	DRW035998E	SUPPORT WLDMT GIMBAL MAIN FRM	2	26	DRW0027718	CHAMBER PLATE WLDMT TOP CNTR	5
12	PLG0022713	BAR,RAIL	4				
13	SHM0022727	REAR ROLLER RAIL SHIM	AR				
14	SHM0022717	REAR ROLLER RAIL SHIM	AR				

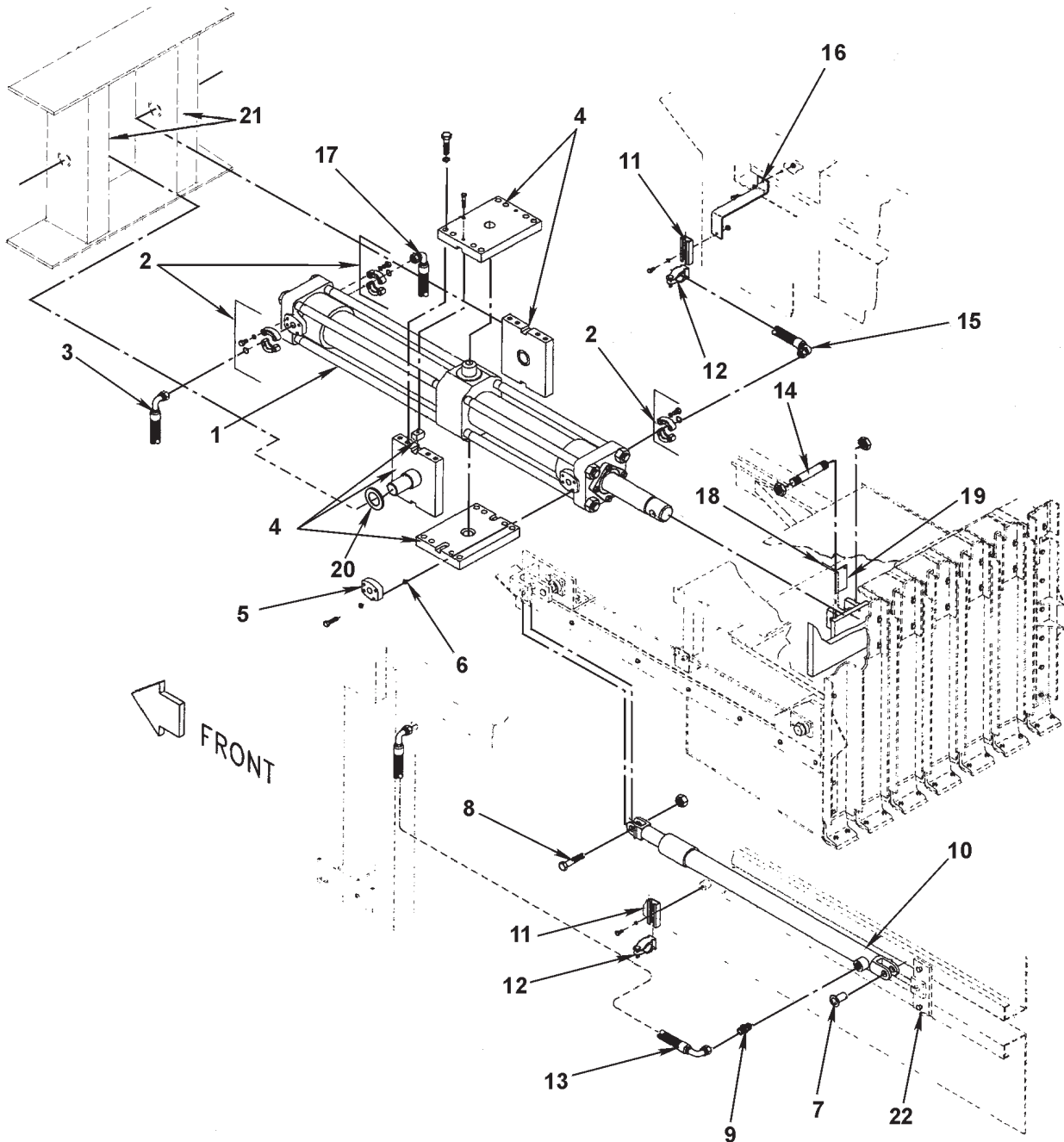
TENSION RAILS ASSEMBLY



TENSION RAILS ASSEMBLY

REF NO.	PART NO.	DESCRIPTION	QTY. USED	REF NO.	PART NO.	DESCRIPTION	QTY. USED
1	TNS2287200	LEFT COMPRESSION BEAM	1	18	YOK0024007	YOKE WLDMT,CHMR; REAR FRAME	1
2	SCC0050004	1/2 X 1-1/2 NC HT CS - PLATED	4	19	TNS0028067	TOP TENSION RAIL	5
3	CYL0TC3516	TC3.5 X 16 HYD CYL - MODIFIED	2	20	220206	CAPSCREW; 5/8 NF X 2	2
4	TC 000035P	CLEVIS PIN	4	21	DOG0018250	SIDE HAY DOG	2
5	TNS2287201	RIGHT COMPRESSION BEAM	1	22	239519	WASHER, FLAT; 1/2	14
6	CYL00TC408	TC4 X 8 HYD CYL-MODIFIED	2	23	SPG0023160	HAY DOG SPRING	7
7	HYP000FA4P	CLEVIS PIN WITH COTTER PIN	4	24	COT0000503	1/8 X 1-1/4 COTTER PIN	7
8	TNS0022468	TOP TENS RAIL COMPRESSION BEAM	1	25	F00000220	HAY DOG PIN	7
9	TNS0025988	SIDE TENSION RAIL -AFT/9-92	2	26	DOG0023159	TOP CHMBR DOG	5
10	234921	HEX NUT 1/2	13	27	224128	NUT, ESNA; 5/8 NF	6
11	234665	1/2" MEDIUM LOCKWASHER	13	28	TNS0020209	TOP TEN RAIL CTR PIVOT BOLT	4
12	235620	ESNA NUT NC 1/4"	4	29	NCE0010000	ESNA NUT NC 1	8
13	LIN0016227	BEAM SUPPORT WEAR LINER -1592	2	30	TNS0022340	SIDE TENSION RAIL PIVOT BOLT	8
14	SMF0001003	FLAT HD MS NC 1/4 X 1-1/4	4	31	STP0002000	STEP COVER-SAFETY WALK 2	A/R
15	221398	NUT, HEX; 7/16 NF	6				
16	200603	WASHER, LOCK; 7/16	6				
17	R13810879	CAPSCREW; 7/16 NF X 1 1/2	6				

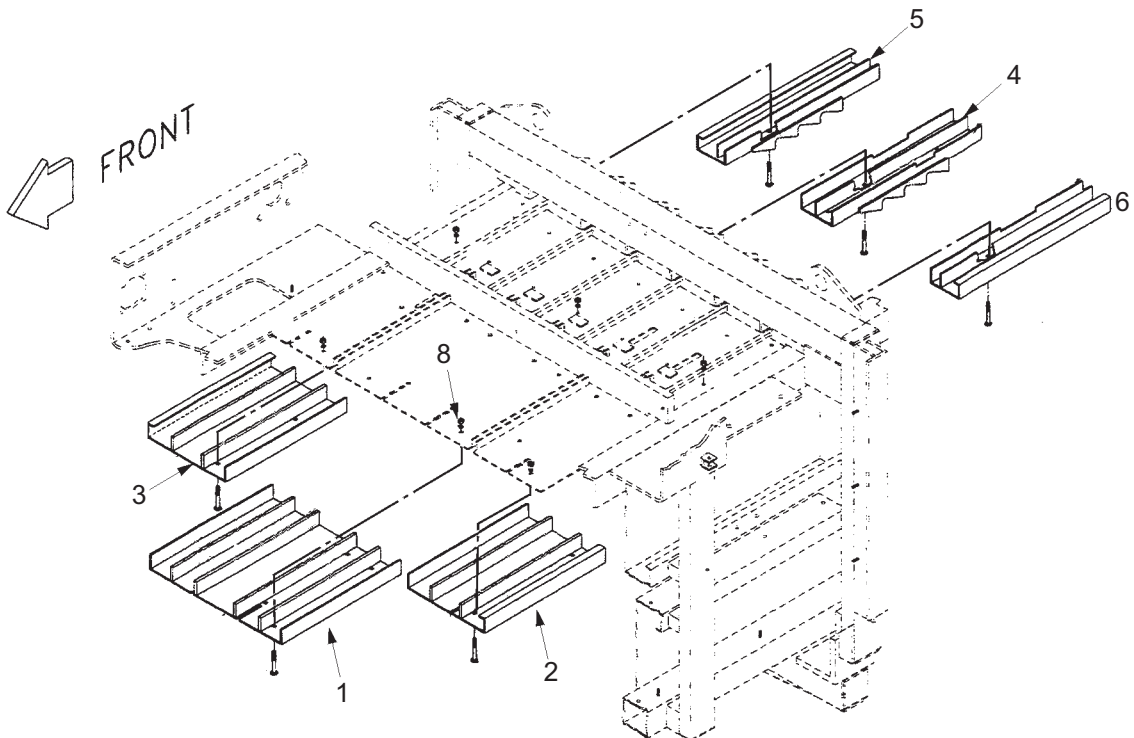
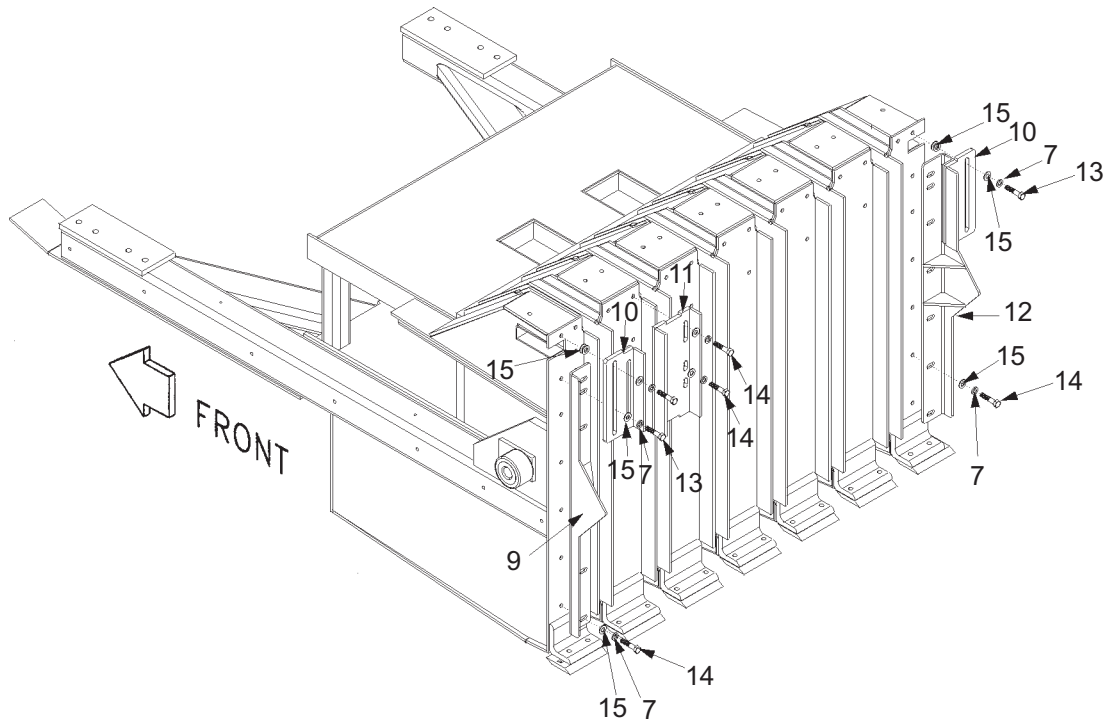
PLUNGER CYLINDERS AND MOUNTS ASSEMBLY



PLUNGER CYLINDERS AND MOUNTS ASSEMBLY

REF NO.	PART NO.	DESCRIPTION	QTY. USED	REF NO.	PART NO.	DESCRIPTION	QTY. USED
1	CYL037554E	PLUNGER CYLINDER SUB ASSEMBLY	1	11	MNT0020255	CHANNEL	3
2	FLG0001501	1"SPLIT FLG W/O-RING &BOLT KIT	3		WLK0000375	3/8" MEDIUM LOCKWASHER - PLTD	3
3	HOS0024887	PLUNGER CYLINDER HOSE	1		SCC0030001	3/8 X 3/4 NC HT CS - PLATED	3
4	FRM037556E	GIMBAL FRAME ASSY	1	12	CLP0100150	1-1/2 HYDRA ZORB HOSE CLAMP	3
	PLT037555D	GIMBAL FRAME CAP PLATE	2	13	HOS0023451	LH MAKE-UP CYL BASE-FDR LEG BH	1
	PLT035995D	GIMBAL FRAME SIDE PLATE ASSY	2		HOS0023452	RIGHT MAKE-UP CYL HOSE	1
	DRW0014869	KEY,SHEAR;A; 1 SQ BAR X 1.5	2	14	PIN0024791	PLUNGER CYLINDER PIN	1
	SCC0030006	3/8 X 2 NC HT CS - PLATED	4		NEJ0001125	1-1/8" NC ESNA JAM NUT - PLTD	4
	WLK0000375	3/8" MEDIUM LOCKWASHER - PLTD	4	15	HOS0024889	PLUNGER CYLINDER ROD END HSE	1
	SCC0080009	3/4 X 2-3/4 NC HT CS - PLATED	16	16	BKT0023474	MAKE-UP CYL HSE CLAMP BKT	1
	WLK0000750	3/4" MEDIUM LOCKWASHER-PLATED	16		WLK0000375	3/8" MEDIUM LOCKWASHER - PLTD	1
5	FLG0001660	1" CODE 62 BLIND FLANGE	1		SCC0030001	3/8 X 3/4 NC HT CS - PLATED	1
	SCS0000405	7/16 X 1-3/4 NC SOCKET HEAD CS	4		NCH0000375	3/8" NC HEX NUT - PLATED	1
	WAS0000102	7/16 HIGH COLLAR LOCKWASHER	4	17	HOS0015874	PLUNGER CYL HOSE-6000PSI	1
6	F 0006450	O-RING F/F6269 4-BOLT FLANGE	1	18	ZZ 0000728	1/4 X 1 ROLL PIN	2
7	HYP FA22P	CLEVIS PIN W/COTTER PIN	2	19	SHM0028130	PLNGR ROD END SHIM (.015)	A/R
8	PLG0024471	FRONT MAKE UP CYL MOUNT BOLT	2		SHM0028363	PLNGR ROD END SHIM (.032)	A/R
	NCE0001000	1" NC ESNA LOCKNUT - PLTD	2	20	SPC035999A	GIMBAL FRAME SPACER,	2
9	HYD5205070	1" JIC X 1" NPT MALE CONN	2	21	DRW035997B	BAR	2
10	CYL0024785	MAKE-UP CYLINDER-AF/8-91	2	22	900239	MOUNTING WLDMT,CYL;*C; 1592	2

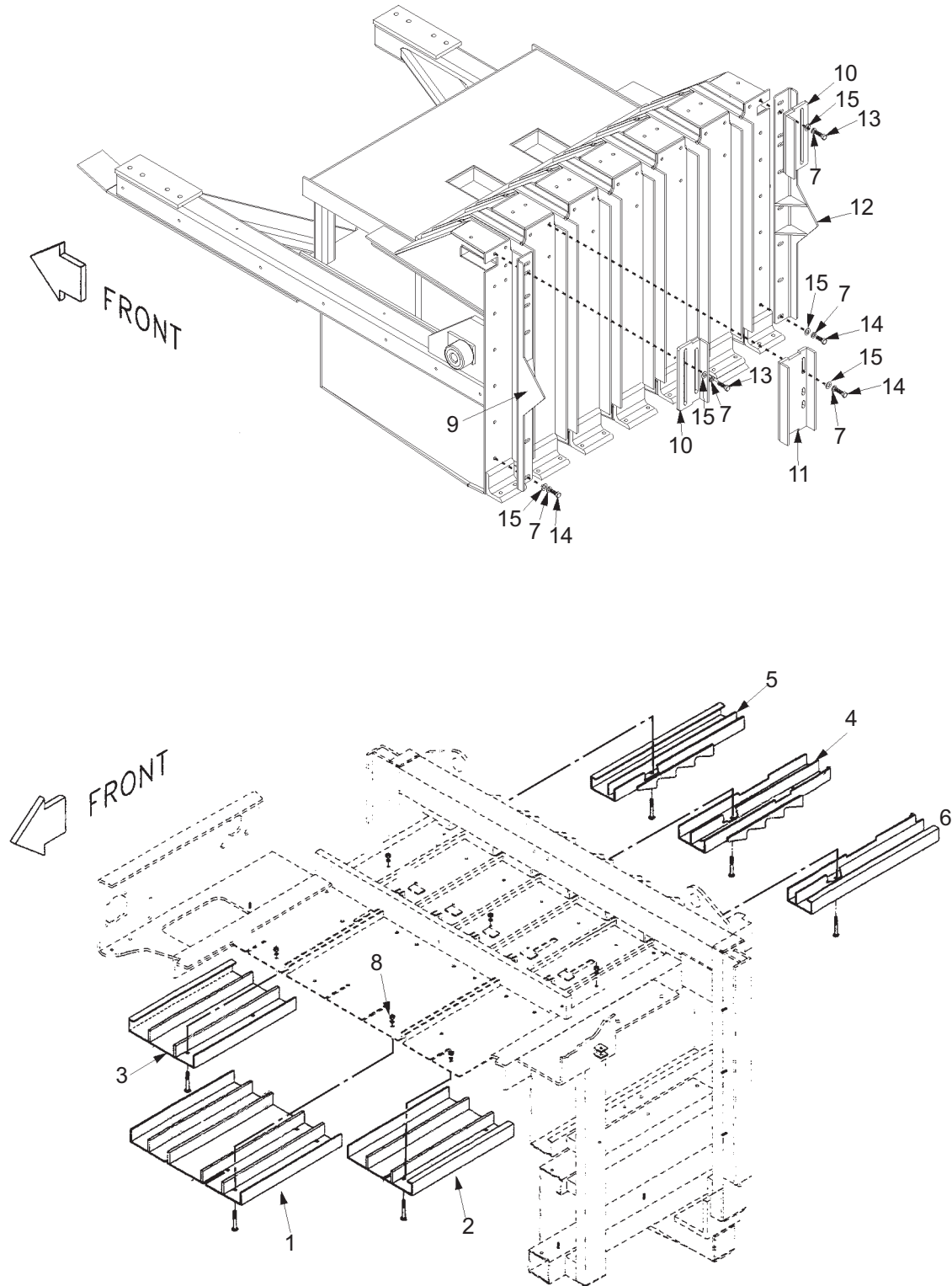
CHAMBER LINERS AND PLUNGER EXTENSION FOR 34.5" CHAMBER



CHAMBER LINERS AND PLUNGER EXTENSION FOR 34.5" CHAMBER

REF NO.	PART NO.	DESCRIPTION	QTY. USED
1	LIN035771D	CTR FNT CHMB LINER-FOR 34.5"	1
	CRB3754500	CARRIAGE BOLT,3/8 X 4-1/2 GRD5	4
	NMS0000375	WHIZ NUT NC 3/8 - PLATED	4
2	LIN035768D	L FNT CHMB LINER-FOR 34.5"	1
	CRB3754500	CARRIAGE BOLT,3/8 X 4-1/2 GRD5	8
	NMS0000375	WHIZ NUT NC 3/8 - PLATED	8
3	LIN035773D	R FNT CHMB LINER-FOR 34.5"	1
	CRB3754500	CARRIAGE BOLT,3/8 X 4-1/2 GRD5	4
	NMS0000375	WHIZ NUT NC 3/8 - PLATED	4
4	LIN035778D	CTR REAR CHMB LINER-FOR 34.5"	5
	CRB3754500	CARRIAGE BOLT,3/8 X 4-1/2 GRD5	15
	NMS0000375	WHIZ NUT NC 3/8 - PLATED	15
5	LIN035775D	L REAR CHMB LINER-FOR 34.5"	1
	CRB3754500	CARRIAGE BOLT,3/8 X 4-1/2 GRD5	3
	NMS0000375	WHIZ NUT NC 3/8 - PLATED	3
6	LIN035780D	R REAR CHMB LINER-FOR 34.5"	1
	CRB3750275	CARRIAGE BOLT,3/8 X 2-3/4 GRD5	3
	NMS0000375	WHIZ NUT NC 3/8 - PLATED	3
7	WLK0000375	3/8" MEDIUM LOCKWASHER - PLTD	AR
8	NMS0000375	WHIZ NUT NC 3/8 - PLATED	AR
9	PLG036161B	LEFT PLNGR FACE EXT, 34-1/2 CHMB	1
10	PLG036817B	OUTSIDE PLUNGER FACE EXT	2
11	PLG036818B	CENTER PLUNGER FACE EXT	5
12	PLG036163B	RIGHT PLUNGER FACE EXT, 34-1/2"	1
13	SCC0030003	HEX HD CS 3/8-16 X 1-1/4 - GRADE 5	8
14	SCC0030002	HEX HEAD CS 3/8-16 X 1"GRDE 5-PLTD	30
15	WCT0000313	FLAT WASHER 5/16 -PLATED	AR

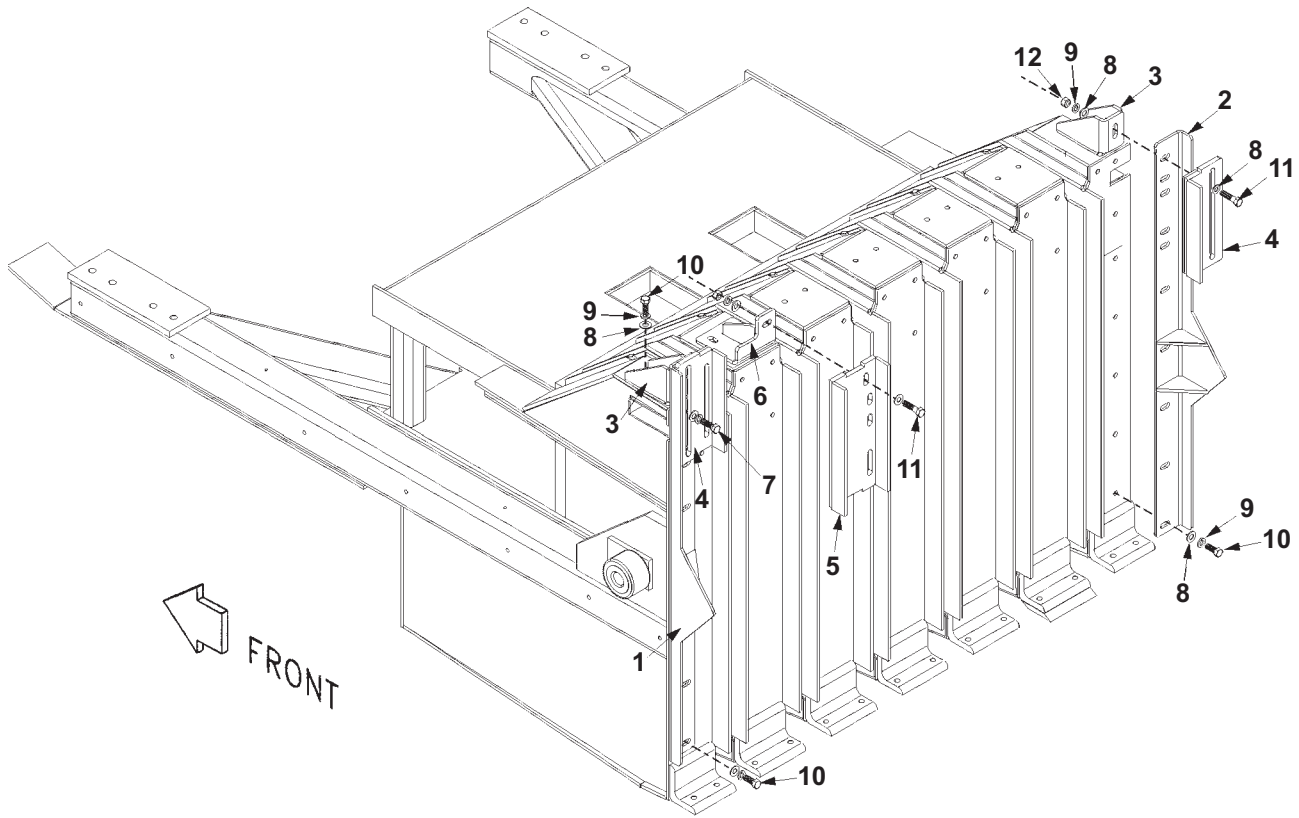
CHAMBER LINERS AND PLUNGER EXTENSION FOR 36" CHAMBER



CHAMBER LINERS AND PLUNGER EXTENSION FOR 36" CHAMBER

REF NO.	PART NO.	DESCRIPTION	QTY. USED
1	LIN0027230	FRT CTR CHMB LINER PLT-36" C/O	1
	CRB3750275	3/8 X 2-3/4 CARRIAGE BOLT-PLTD	4
	NMS0000375	WHIZ NUT NC 3/8 - PLATED	4
2	LIN0027227	LH CTR CHMB LINER PLT-36" C/O	1
	CRB3750275	3/8 X 2-3/4 CARRIAGE BOLT-PLTD	8
	NMS0000375	WHIZ NUT NC 3/8 - PLATED	8
3	LIN0027251	RH FRONT CHAMBER LINER-36" C/O	1
	CRB3750275	3/8 X 2-3/4 CARRIAGE BOLT-PLTD	4
	NMS0000375	WHIZ NUT NC 3/8 - PLATED	4
4	LIN0027232	CENTER REAR CHMBER LINER-36" C/O	5
	CRB3750275	3/8 X 2-3/4 CARRIAGE BOLT-PLTD	15
	NMS0000375	WHIZ NUT NC 3/8 - PLATED	15
5	LIN0027234	RH REAR CHAMBER LINER -36" C/O	1
	CRB3750275	3/8 X 2-3/4 CARRIAGE BOLT-PLTD	3
	NMS0000375	WHIZ NUT NC 3/8 - PLATED	3
6	LIN0027235	LH REAR CHAMBER LINER -36" C/O	1
	CRB3750275	3/8 X 2-3/4 CARRIAGE BOLT-PLTD	3
	NMS0000375	WHIZ NUT NC 3/8 - PLATED	3
7	WLK0000375	3/8" MEDIUM LOCKWASHER - PLTD	AR
8	NMS0000375	WHIZ NUT NC 3/8 - PLATED	AR
9	PLG036829B	LEFT PLNGR FACE EXT, 36 CHMB	1
10	PLG036817B	OUTSIDE PLUNGER FACE EXT	2
11	PLG036818B	CENTER PLUNGER FACE EXT	5
12	PLG036831B	RIGHT PLUNGER FACE EXT, 36"	1
13	SCC0030003	HEX HD CS 3/8-16 X 1-1/4 - GRADE 5	8
14	SCC0030002	HEX HEAD CS 3/8-16 X 1"GRDE 5-PLTD	30
15	WCT0000313	FLAT WASHER 5/16 -PLATED	AR

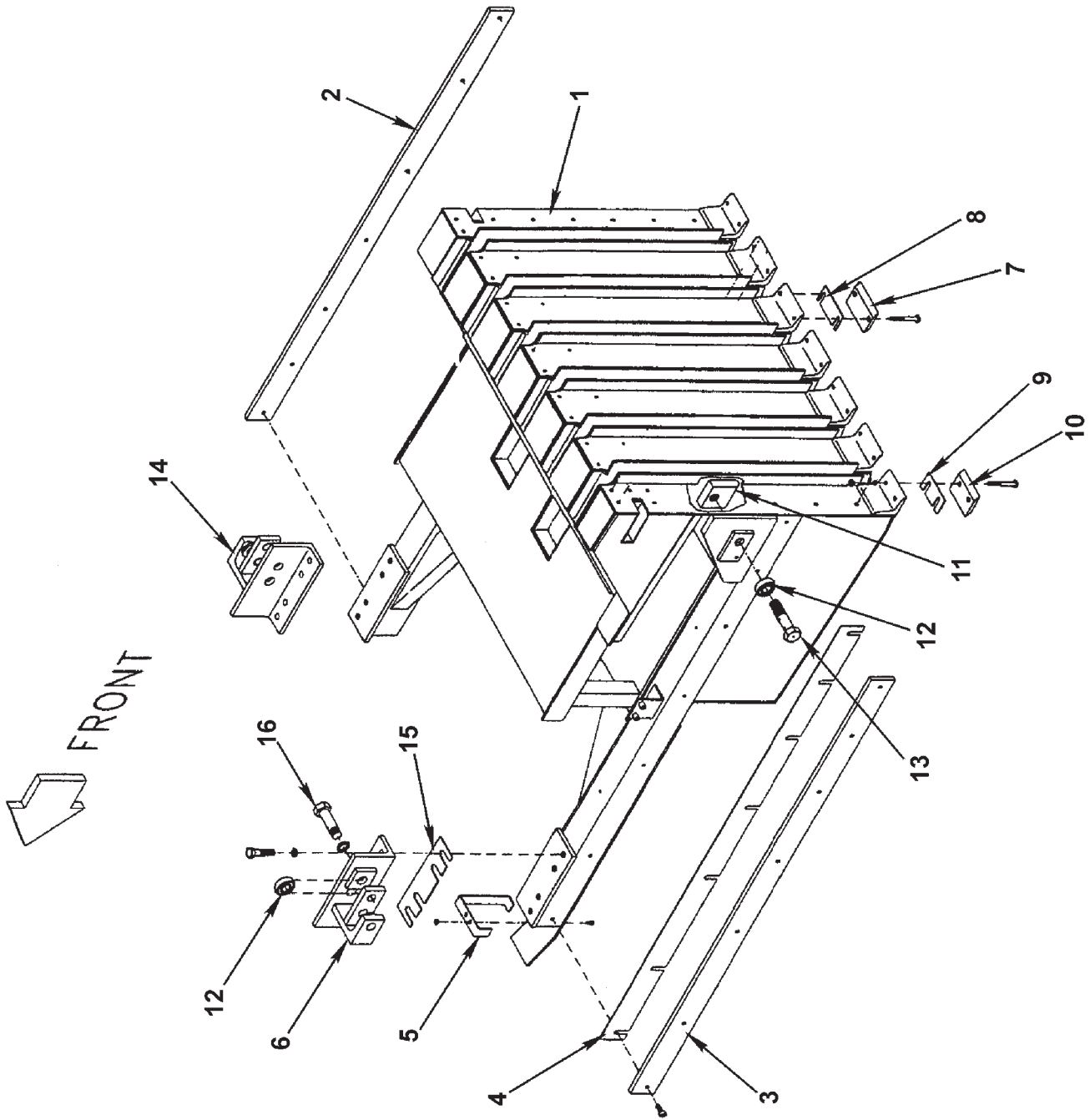
CHAMBER LINERS AND PLUNGER EXTENSION FOR 38" CHAMBER



CHAMBER LINERS AND PLUNGER EXTENSION FOR 38" CHAMBER

REF NO.	PART NO.	DESCRIPTION	QTY. USED
1	PLG036833B	LEFT PLUNGER FACE EXTENSION	1
2	PLG036835B	RIGHT PLUNGER FACE EXTENSION	1
3	PLG036821B	OUTSIDE PLUNGER FACE SUPPORT	2
4	PLG036817B	OUTSIDE PLUNGER FACE EXT-	2
5	PLG036818B	CENTER PLUNGER FACE EXT -	5
6	PLG036822B	CENTER PLUNGER FACE SUPPORT	5
7	SCC0030003	HEX HD CS 3/8-16 X 1-1/4 - PLATED	6
8	WCT0000313	FLAT WASHER 5/16 -PLATED	AR
9	WLK0000375	3/8" MEDIUM LOCKWASHER - PLTD	AR
10	SCC0030002	HEX HEAD CAP SCREW 3/8-16 X 1"	42
11	SCC0030004	HEX CAP SCREW 3/8-16 X 1-1/2"	7
12	NCH0000375	HEX NUT NC 3/8 - PLATED	7

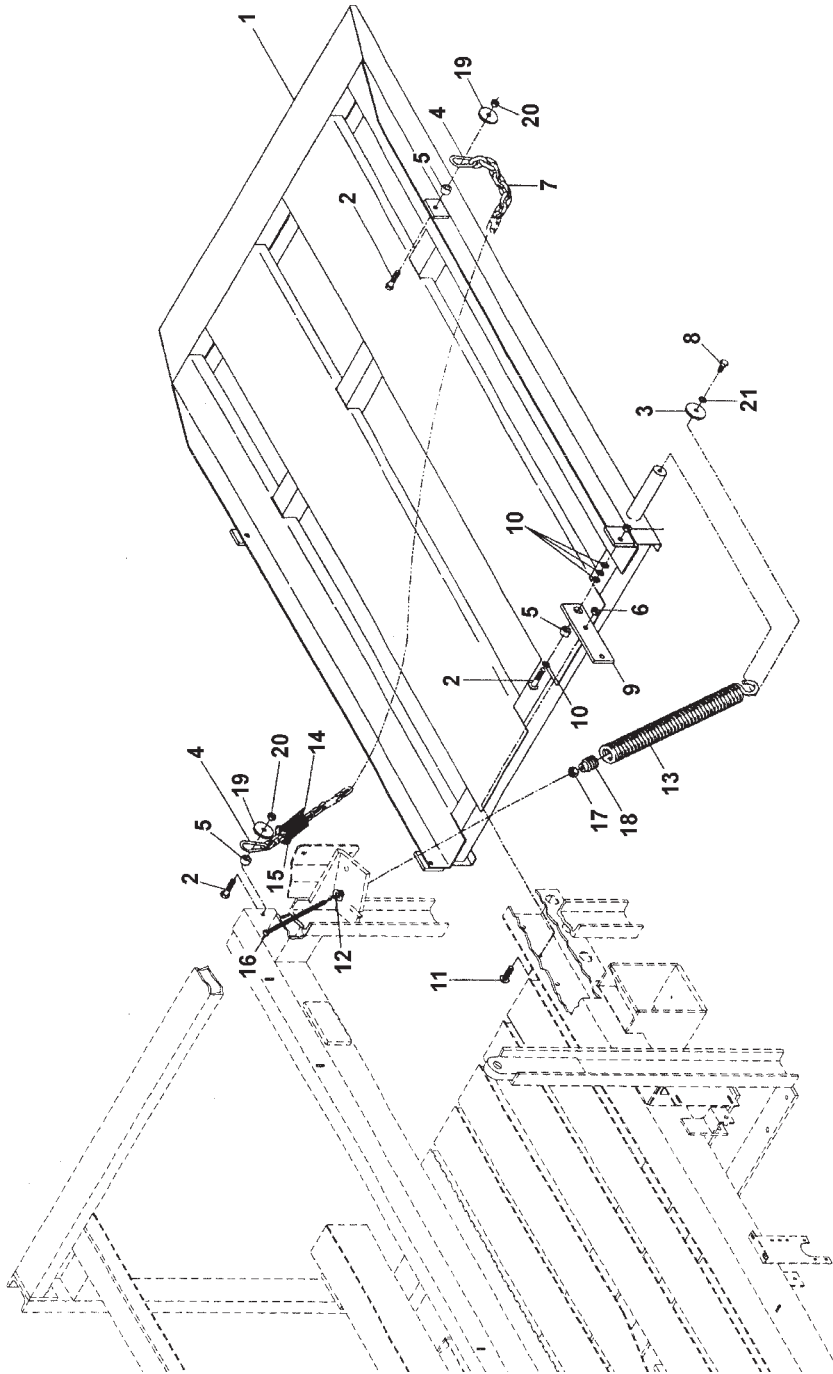
PLUNGER ASSEMBLY



PLUNGER ASSEMBLY

REF NO.	PART NO.	DESCRIPTION	QTY. USED
1	PLG036797E	PLUNGER FRM ASSY	1
2	PLG2599101	RH PLUNGER SLIDE RAIL-AFT/9-92	1
	SCC0030003	3/8 X 1-1/4 NC HT CS - PLATED	7
3	PLG2599100	LH PLUNGER SLIDE RAIL-AFT/9-92	1
	SCC0030003	3/8 X 1-1/4 NC HT CS - PLATED	7
4	PLG0014974	PLUNGER SLIDE SHIM	2
5	WIP0022693	SWITCH CAM WIPER	1
	SMS0000171	1/4 X 5/8 NC WHIZ BOLT-PLATED	2
	NFH0001032	10-32 NF HEX NUT - PLATED	2
6	MNT0024734	LFT MAKEUP CYL MNT-A/8-91	1
	WLK0000625	5/8" MEDIUM LOCKWASHER - PLTD	4
	SCC0070004	5/8 X 1-1/2 NC HT CS - PLATED	4
7	KNF0022602	PLUNGER CENTER KNIFE	5
	PWB3752000	3/8 X 2" NC #3 PLOW BOLT-ZP	10
	WLK0000375	3/8" MEDIUM LOCKWASHER - PLTD	10
	NCH0000375	3/8 NC HEX NUT - PLTD	10
8	SHM0226040	16 GA CENTER KNIFE SHIM	A/R
	SHM0226041	30 GA CENTER KNIFE SHIM	A/R
9	SHM0027993	OUTSIDE PLG KNIFE SHIM-A/11-93	A/R
	SHM0027994	OUTSIDE PLG KNIFE SHIM-A/11-93	A/R
10	KNF0027932	PLG OUTER KNIFE AFT/11-93	2
	PWB3752000	3/8 X 2" NC #3 PLOW BOLT-ZP	4
	WLK0000375	3/8" MEDIUM LOCKWASHER - PLTD	4
	NCH0000375	3/8 NC HEX NUT - PLTD	4
11	PLG0022711	NUT F/PLGR ROLLER BOLT-1590/92	2
12	BRG0000004	PLUNGER ROLLER BEARING -	4
13	PLG0014979	REAR PLUNGER ROLLER BOLT	2
14	MNT0024735	RT MAKEUP CYL MNT-AF-8/91-1590	1
	WLK0000625	5/8" MEDIUM LOCKWASHER - PLTD	4
15	SHM0022718	FRONT ROLLER SHIM -1590	4
16	PLG0024740	FRT PLG ROLLER BOLT AF/8-91	2
	WLK0010000	1" LOCKWASHER - PLATED	2

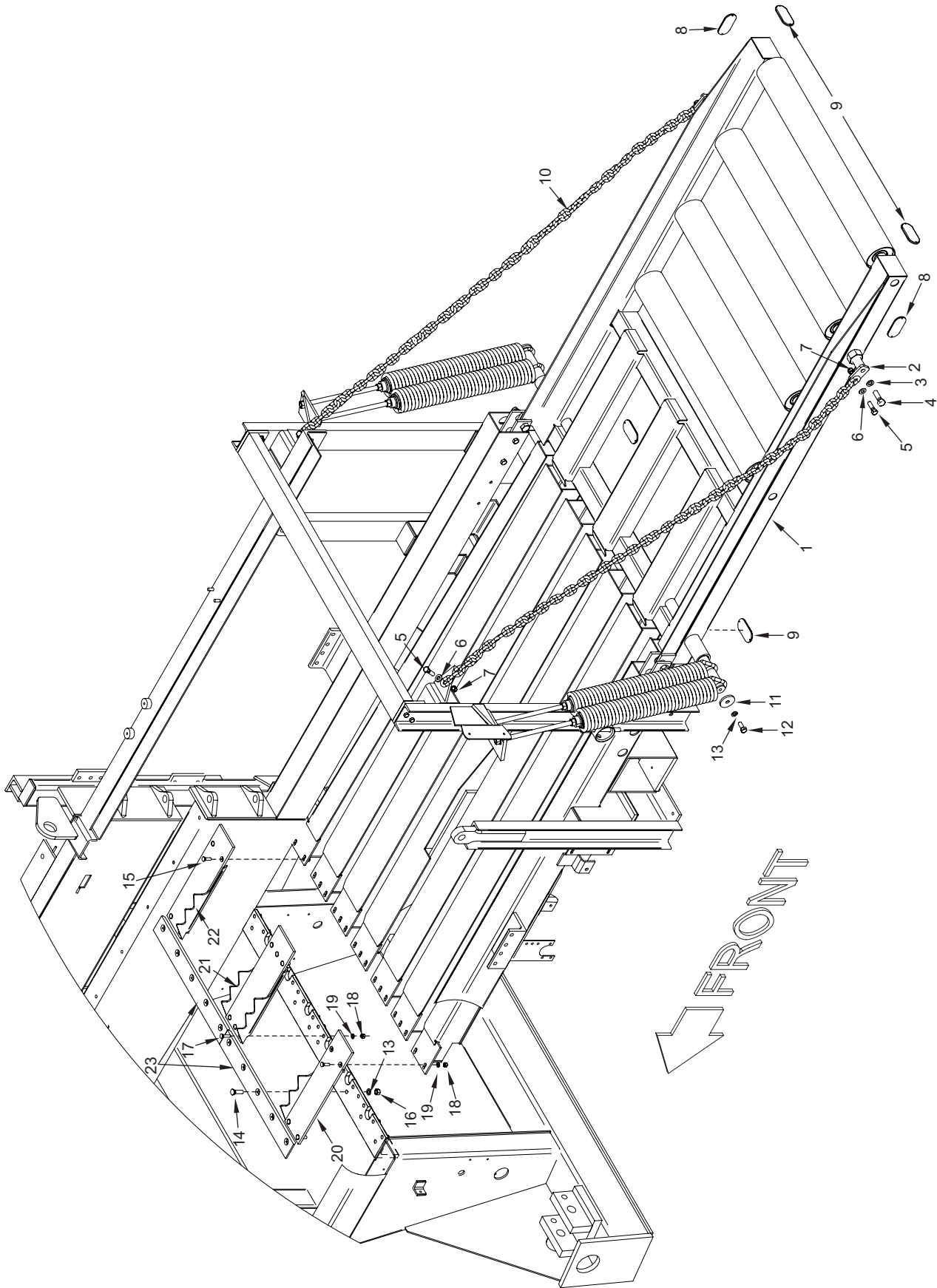
STANDARD BALE CHUTE ASSEMBLY



STANDARD BALE CHUTE ASSEMBLY

REF NO.	PART NO.	DESCRIPTION	QTY. USED
1	CHU0035109	ROLLER BALE CHUTE ASSY	1
2	SFC0080505	GRD 8 HEX HD CS NF 1/2 X 1-3/4	6
3	WAS0035161	WASHER;A; .25PL X .531 ID X 2.25 OD	2
4	CNK0000336	CONNECTING LINK- 3/8" A-336	4
5	SPC0025812	SPACER;A; 1 OD X .219WL X .625	6
6	223587	NUT, ESNA; 1/2 NC GR8 ZC	4
7	CHN375HT50	3/8" SELF-COLORED GRD 04 CHAIN	2
8	SFC0080507	GRD 8 HEX HD CS NF 1/2 X 2-1/4	2
9	MNT0026340	BAR,MTG	2
10	239519	WASHER, FLAT; 1/2 A325 ZC	6
11	SBH0000504	BUTTON HEAD CS NC 1/2 X 1-1/2	4
12	235464	FLAT WASHER 5/8	2
13	SPG0035137	ROLLER BALE CHUTE SPRING	2
14	AO00000312	5/16" FABRIC WIRE LOOM	2
15	F000008290	3/16 X 7-1/4 CABLE TIE - BLACK	4
16	SMS0035135	BOLT WLDMT;*B; SPRING PLUG 1592	2
17	235591	NUT, HEX; 5/8 NC GR8 ZC	2
18	PLU0035136	PLUG;A ROLLER CHUTE	1
19	WAS0020049	WASHER	6
20	R13812641	NUT, HEX; 1/2 NF GR8 ZY	6
21	234665	WASHER, LOCK; 1/2	2

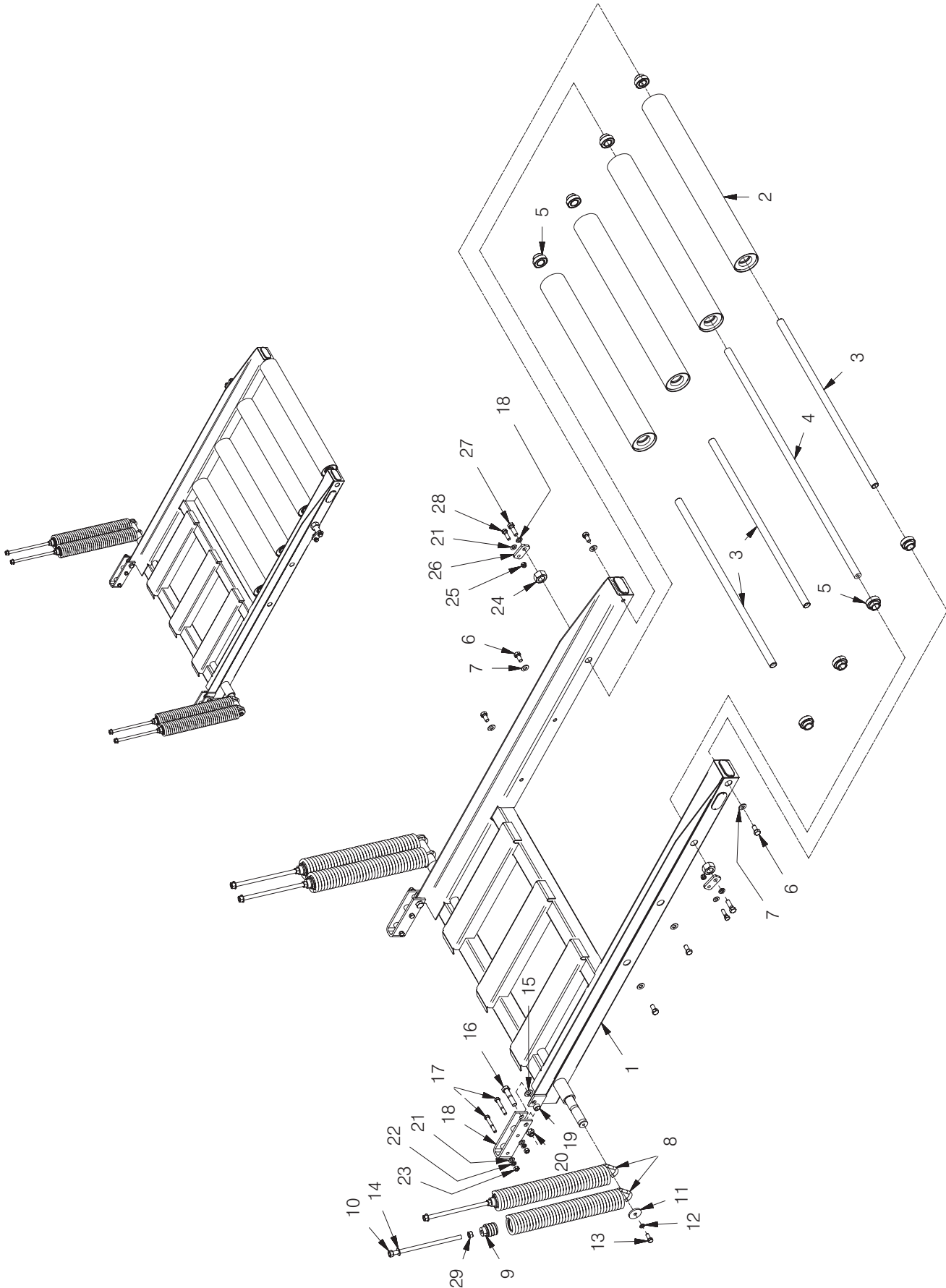
REAR CHAMBER AND OPTIONAL BALE CHUTE ASSEMBLY



REAR CHAMBER AND OPTIONAL BALE CHUTE ASSEMBLY

REF NO.	PART NO.	DESCRIPTION	QTY. USED
	CHU0035109	ROLLER BALE CHUTE ASSY	
1	FRM0032270	FRAME WLDMT,ROLLER CHUTE	1
2	900344	BAR,LINK	2
3	R13809066	WASHER, LOCK; 5/8 REG	2
4	R13811123	CAPSCREW; 5/8 NC X 2 GR8	2
5	R13811076	CAPSCREW; 1/2 NC X 1 3/4 GR8	6
6	R13811451	WASHER, FLAT; 1/2	4
7	R13811193	NUT, LOCK; 1/2 NC GR8	4
8	FD70000722	DECAL-YELLOW REFLECTOR	2
9	FD70000170	DECAL-RED REFLECTOR-1592	4
10	CHN375HT50	3/8" SELF-COLORED GRD 04 CHAIN	2
11	WAS0035161	WASHER, FLAT	2
12	234123	SCREW, CAP, 1/2 X 1 1/4 UNC, PLATED	2
13	234665	WAHSER, LOCK, SPLIT, 1/2"	10
14	PWB5001750	1/2 X 1-3/4 NC #3 PLOW BOLT-ZP	10
15	PWB3751250	3/8 X 1-1/4 NC #3 PLOW BOLT-ZP	19
16	234921	NUT, HEX; 3/8 NC GR5 ZY	8
17	PWB3751500	3/8 X 1-1/2 NC #3 PLOW BOLT-ZP	19
18	R13809551	NUT, HEX; 3/8 NC GR5 ZY	10
19	234135	WASHER, LOCK; 3/8 REG	10
20	LIN0276830	LH OUTSIDE CHM LINER/BALE DOG	1
21	LIN0027684	CENTER CHM LINER AND BALE DOG	5
22	LIN0276831	RH OUTSIDE CHM LINER/BALE DOG	1
23	KNF0014787	MAIN FRAME STATION KNIFE	2

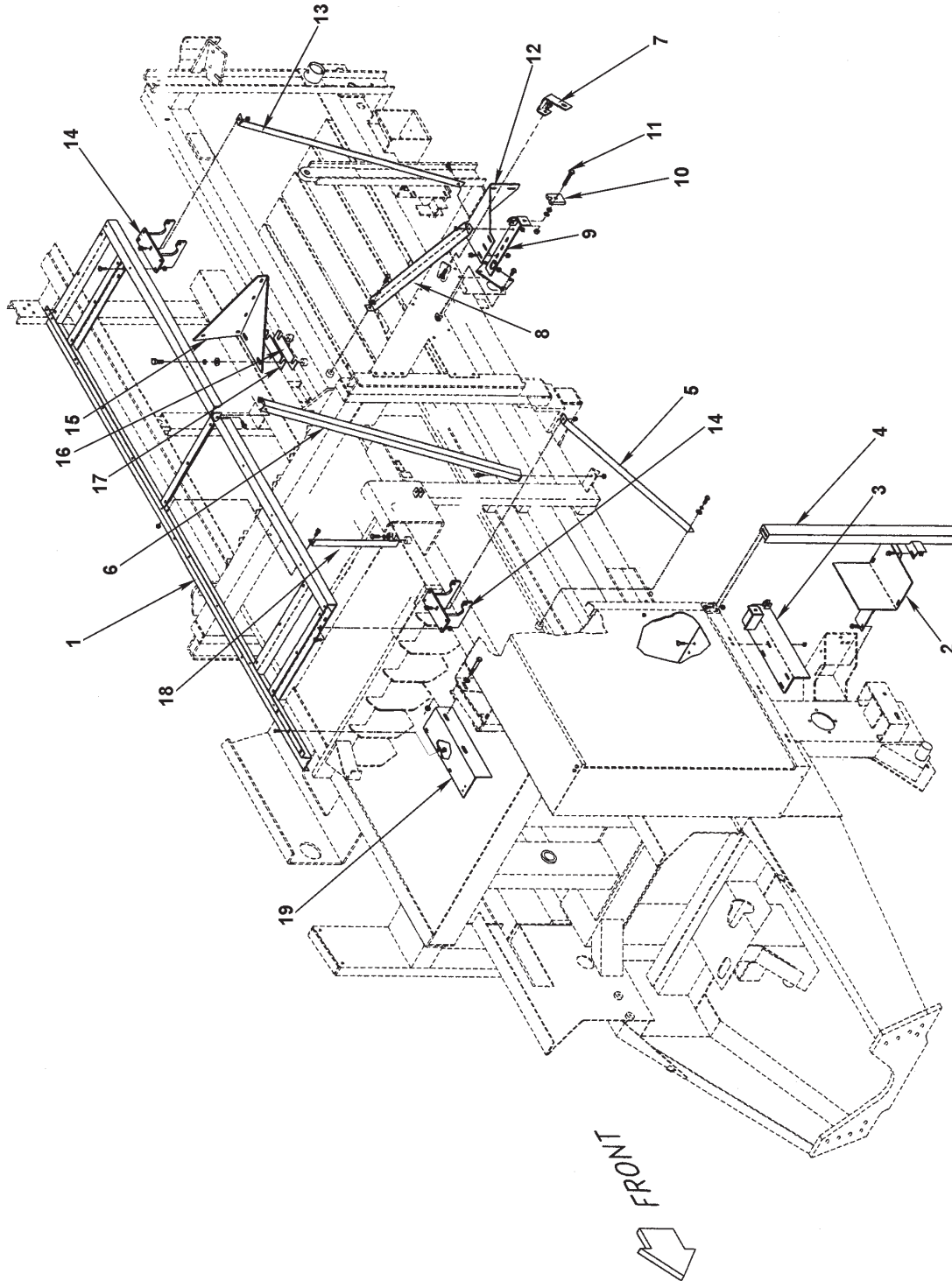
OPTIONAL ROLLER BALE CHUTE ASSEMBLY



OPTIONAL ROLLER BALE CHUTE ASSEMBLY

REF NO.	PART NO.	DESCRIPTION	QTY. USED
	CHU0035109	ROLLER BALE CHUTE ASSY;	
1	FRM0032270	ASSEMBLY, FRAME, CHUTE, ROLLER	1
2	ROL0035115	ROLLER ASSEMBLY	4
3	SHF0035112	SHAFT	3
4	900072	SHAFT	1
5	BRG0000010	ROLLER BEARING F/1592 TAIL CHUTE	8
6	234131	CAPSCREW; 5/8 NC X 1 1/4 GR8 HX ZC	6
7	R13811435	WASHER, STRUCTURAL, 5/8	6
8	SPG0035137	SPRING, EXT	4
9	PLU0035136	PLUG, SPRING	4
10	SMS0035135	BOLT ASSY	4
11	234665	WASHER, LOCK, SPLIT, 1/2"	2
12	234123	SCREW, CAP, 1/2 X 1 1/4 UNC, PLATED	2
13	234123	SCREW, CAP, 1/2 X 1 1/4 UNC, PLATED	2
14	235464	WASHER, FLAT, 5/8	4
15	235546	WASHER, HARD; 3/4 ID ZC	2
16	230096	CAPSCREW; 3/4 NC X 3 1/2 GR8	2
17	230596	CAPSCREW; 1/2 NC X 3 1/4 GR8	4
18	900340	MOUNTING WLDMT	2
19	900343	SPACER	2
20	NCE0007500	ESNA NUT NC 3/4	2
21	239519	WASHER, FLAT; 1/2	8
22	234665	WASHER, LOCK; 1/2 REG	4
23	234921	NUT, HEX; 1/2 NC GR8	4
24	224182	NUT, HEX; 1 1/4 NC GR8	2
25	223587	NUT, ESNA; 1/2 NC GR8	2
26	900344	BAR, LINK	2
27	235590	CAPSCREW; 5/8 NC X 2 GR8	2
28	229172	CAPSCREW; 1/2 NC X 1 3/4 GR8	2
29	229952	NUT, HEX; 5/8 NC GR8	2

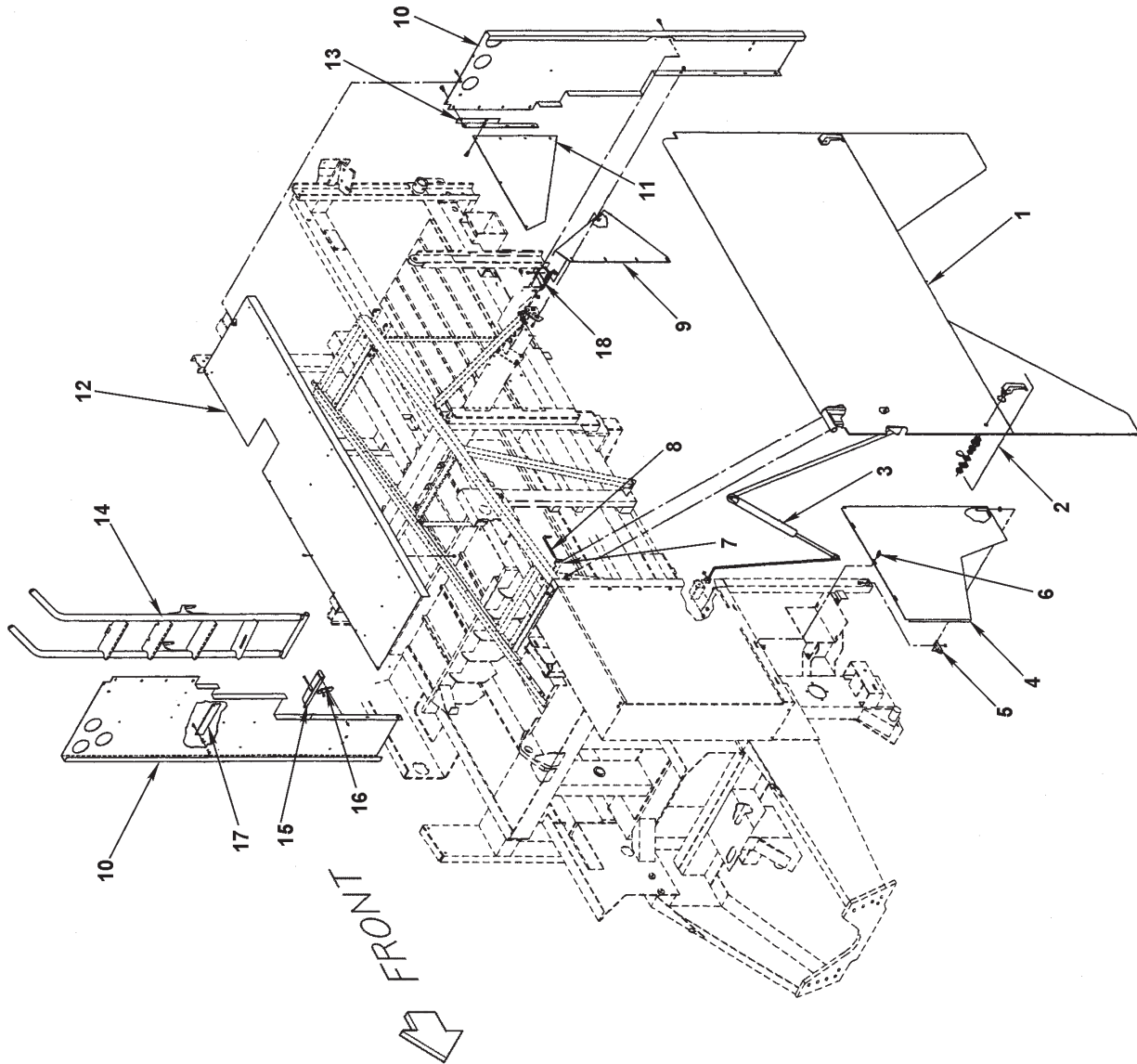
SIDE SHIELDS AND DOOR SUPPORTS ASSEMBLY



SIDE SHIELDS AND DOOR SUPPORTS ASSEMBLY

REF NO.	PART NO.	DESCRIPTION	QTY. USED	REF NO.	PART NO.	DESCRIPTION	QTY. USED
1	FRM0232910	R.H. TOP SHIELD SUPT ASB	1	10	20-112	MOTOR MOUNT/STOP PAD	4
	FRM0232911	L.H. TOP SHIELD SUPT ASB	1		NCH0000500	1/2" NC HEX NUT - PLATED	4
2	MNT0023489	L DOR SUP BRC W/ BAT MNT	1		WCT0000500	1/2" FLATWASHER - PLATED	8
	BRC0233921	R. H. DOOR SUPPORT BRACE	1	11	ROD0023528	DOOR BUMPER ADJ. ROD BOLT	4
	SMS0000184	5/16 X 3/4 NC WHIZ BOLT-PLATED	4	12	SUP0252950	L.H REAR SHD LOWER SUPT-A/3-92	1
3	MNT0233030	L. H. GAS SPRING FRM MNT ASSY	1		SUP0252951	R.H REAR SHD LOWER SUPT-A/3-92	1
	MNT0233031	R. H. GAS SPRING FRM MNT ASSY	1		SMS0000184	5/16 X 3/4 NC WHIZ BOLT-PLATED	2
	CRB3130100	5/16X 1 CARRIAGE BOLT-PLTD	8		NMS0000117	5/16" NC WHIZ NUT - PLATED	2
	WCT0000313	5/16" FLATWASHER-PLATED	8	13	BRC0233290	L. H. DOOR REAR KNEE BRACE	1
4	SUP0023479	LOWER LEFT DOOR SUPPORT	1		BRC0233291	R. H. DOOR REAR KNEE BRACE	1
	SUP0023357	LOWER RIGHT DOOR SUPPORT	1		SMS0000184	5/16 X 3/4 NC WHIZ BOLT-PLATED	2
	SMS0000184	5/16 X 3/4 NC WHIZ BOLT-PLATED	4		NMS0000117	5/16" NC WHIZ NUT - PLATED	2
	NMS0000117	5/16" NC WHIZ NUT - PLATED	4		SMS0000177	5/16 X 1 NC WHIZ BOLT-PLATED	2
5	BRC0233310	L. H. FRONT KNEE BRACE	1	14	MNT0023283	MAIN DOOR MOUNT ASSEMBLY	4
	BRC0233311	R. H. FRONT KNEE BRACE	1		NMS0000117	5/16" NC WHIZ NUT - PLATED	16
	NMS0000117	5/16" NC WHIZ NUT - PLATED	2		SMS0000177	5/16 X 1 NC WHIZ BOLT-PLATED	16
	SCC0030002	3/8 X 1 NC HT CS - PLATED	6	15	SUP0234500	L. H. REAR SHD UPPER SUPT	1
	SMS0000177	5/16 X 1 NC WHIZ BOLT-PLATED	2		SUP0234501	R. H. REAR SHD UPPER SUPT	1
	WLK0000375	3/8" MEDIUM LOCKWASHER - PLTD	6		WCT0000500	1/2" FLATWASHER - PLATED	4
	WCT0000375	3/8" FLATWASHER - PLATED	6		SCC0050003	1/2 X 1-1/4 NC HT CS - PLATED	4
6	BRC0233260	L. H. DOOR CENTER KNEE BRACE	1		WLK0000500	1/2" LOCKWASHER - PLATED	4
	BRC0233261	R. H. DOOR CENTER KNEE BRACE	1	16	SHM0023544	SHIELD SUPPORT SHIM	A/R
	SMS0000184	5/16 X 3/4 NC WHIZ BOLT-PLATED	4	17	SHM0023545	SHIELD SUPPORT SHIM	A/R
	NMS0000117	5/16" NC WHIZ NUT - PLATED	4	18	SUP0233270	L. H. CENTER SHLD SUP LEG	1
7	BKT0023355	NEEDLE YOKE GUARD BRACKET	2		SUP0233271	R. H. CENTER SHLD SUP LEG	1
	SCC0050004	1/2 X 1-1/2 NC HT CS - PLATED	2		NMS0000117	5/16" NC WHIZ NUT - PLATED	2
	WLK0000500	1/2" LOCKWASHER - PLATED	2		SCC0030002	3/8 X 1 NC HT CS - PLATED	6
	NCH0000500	1/2" NC HEX NUT - PLATED	2		SMS0000184	5/16 X 3/4 NC WHIZ BOLT-PLATED	4
8	BRC0233300	L. H. REAR KNEE BRACE	1		WLK0000375	3/8" MEDIUM LOCKWASHER - PLTD	6
	BRC0233301	R. H. REAR KNEE BRACE	1		WCT0000375	3/8" FLATWASHER - PLATED	6
	SCC0030002	3/8 X 1 NC HT CS - PLATED	6	19	SUP5061370	LEFT SIDE FRNT CHANNEL SUPPORT	1
	SMS0000184	5/16 X 3/4 NC WHIZ BOLT-PLATED	1		SUP5061381	RIGHT SIDE FRONT CHANNEL SUPPT	1
	NCH0000500	1/2" NC HEX NUT - PLATED	1		SMT0001001	1/4 X 3/4 TH MACH SCREW-PLT	6
	WLK0000375	3/8" MEDIUM LOCKWASHER - PLTD	6		NMS0000250	1/4" NC WHIZ NUT - PLATED	6
	WCT0000375	3/8" FLATWASHER - PLATED	6		SCC0050012	1/2 X 3-1/2 NC HT CS - PLATED	4
9	MNT0252940	LH REAR GAS SPG/BUMP MNT -A/92	1		NCE0000500	1/2" NC ESNA NUT - PLATED	4
	MNT0252941	RH REAR GAS SPG/BUMP MNT -A/92	1				
	SMS0000184	5/16 X 3/4 NC WHIZ BOLT-PLATED	12				
	NMS0000117	5/16" NC WHIZ NUT - PLATED	12				

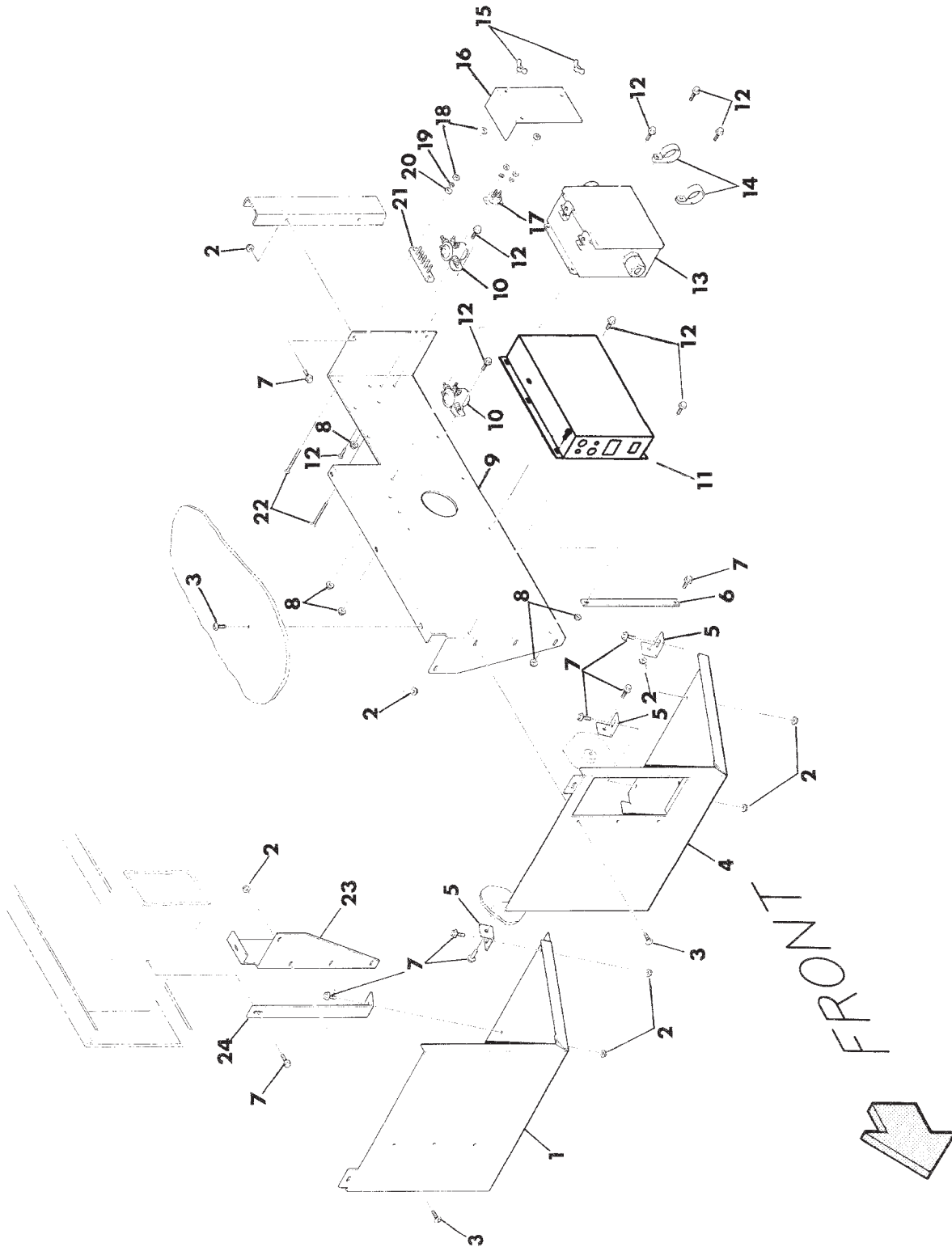
SHIELDS AND DOORS ASSEMBLY



SHIELDS AND DOORS ASSEMBLY

REF NO.	PART NO.	DESCRIPTION	QTY. USED	REF NO.	PART NO.	DESCRIPTION	QTY. USED
1	DOR0232790	L.H. MAIN DOOR ASSY.	1	11	CVR0025413	REAR CLOSURE PLATE-AF/92	1
	DOR0232791	R. H. MAIN DOOR ASSEMBLY	1		SMT0002001	5/16 X 3/4 TH MACH SCREW-PLT	4
2	HAN6210603	LIFT-N-LATCH HANDLE	4		NMS0000250	1/4" NC WHIZ NUT - PLATED	4
3	CYL0080614	GAS SPRING CYLINDER	4	12	SHD0023286	TOP LEFT SHIELD	1
	NCE0000313	5/16" NC ESNA NUT - PLATED	8		SHD0023287	TOP RIGHT SHIELD	1
	SCC0020004	5/16 X 1-1/2 NC HT CS - PLATED	8		SMT0001003	1/4 X 5/8 TH MACH SCREW-PLT	32
4	DOR0233320	L. H. LOWER FRONT DOOR	1	13	MNT2541200	L. H. REAR SHIELD/CLOSURE PLT	1
	DOR0233321	R. H. LOWER FRONT DOOR	1		MNT2541201	R. H. REAR SHIELD/CLOSURE PLT	1
	WCT0000375	3/8" FLATWASHER - PLATED	12		SMT0001003	1/4 X 5/8 TH MACH SCREW-PLT	4
5	HNG0233390	L. H. LOWER DOOR HINGE	1		NMS0000250	1/4" NC WHIZ NUT - PLATED	4
	HNG0233391	R. H. LOWER DOOR HINGE	1	14	LDR0016139	PORTABLE LADDER	1
	NMS0000117	5/16" NC WHIZ NUT - PLATED	4	15	BKT0016157	BOTTOM LADDER STORAGE BRACKET	1
	SMT0002001	5/16 X 3/4 TH MACH SCREW-PLT	4		SMS0000172	1/4 X 3/4 NC WHIZ BOLT-PLATED	2
6	FST0010401	MED DUTY FOLDING HANDLE FASTNR	6		NMS0000250	1/4" NC WHIZ NUT - PLATED	2
7	COT0000801	3/16 X 1 COTTER PIN	4	16	PIN0021155	PORTABLE LADDER PIN	1
8	PIN0023475	SIDE DOOR HINGE PIN	4		SCC0020008	5/16 X 2-1/2 NC HT CS - PLATED	1
	WCT0000375	3/8" FLATWASHER - PLATED	12		NCE0000313	5/16" NC ESNA NUT - PLATED	1
9	GRD0233110	L. H. NEEDLE YOKE GUARD	1	17	BKT0016158	TOP LADDER STORAGE BRACKET	1
	GRD0233111	R. H. NEEDLE YOKE GUARD	1		NCH0000250	1/4" NC HEX NUT - PLATED	4
	SMT0001001	1/4 X 3/4 TH MACH SCREW-PLT	4		SCC0020002	5/16 X 1 NC HT CS - PLATED	2
	NMS0000250	1/4" NC WHIZ NUT - PLATED	4		NMS0000250	1/4" NC WHIZ NUT - PLATED	2
10	SHD0032078	LEFT REAR SHIELD	1	18	BKT0235270	L. H. NEEDLE YOKE BRACKET	1
	SHD0032079	RIGHT REAR SHIELD	1		BKT0235271	R. H. NEEDLE YOKE BRACKET-	1
	SMT0001001	1/4 X 3/4 TH MACH SCREW-PLT	6		NMS0000117	5/16" NC WHIZ NUT - PLATED	4
	SMT0001003	1/4 X 5/8 TH MACH SCREW-PLT	8		SMT0001001	1/4 X 3/4 TH MACH SCREW-PLT	4
	SMT0002001	5/16 X 3/4 TH MACH SCREW-PLT	4		SMT0001003	1/4 X 5/8 TH MACH SCREW-PLT	2
	NMS0000250	1/4" NC WHIZ NUT - PLATED	20		SMS0000177	5/16 X 1 NC WHIZ BOLT-PLATED	1

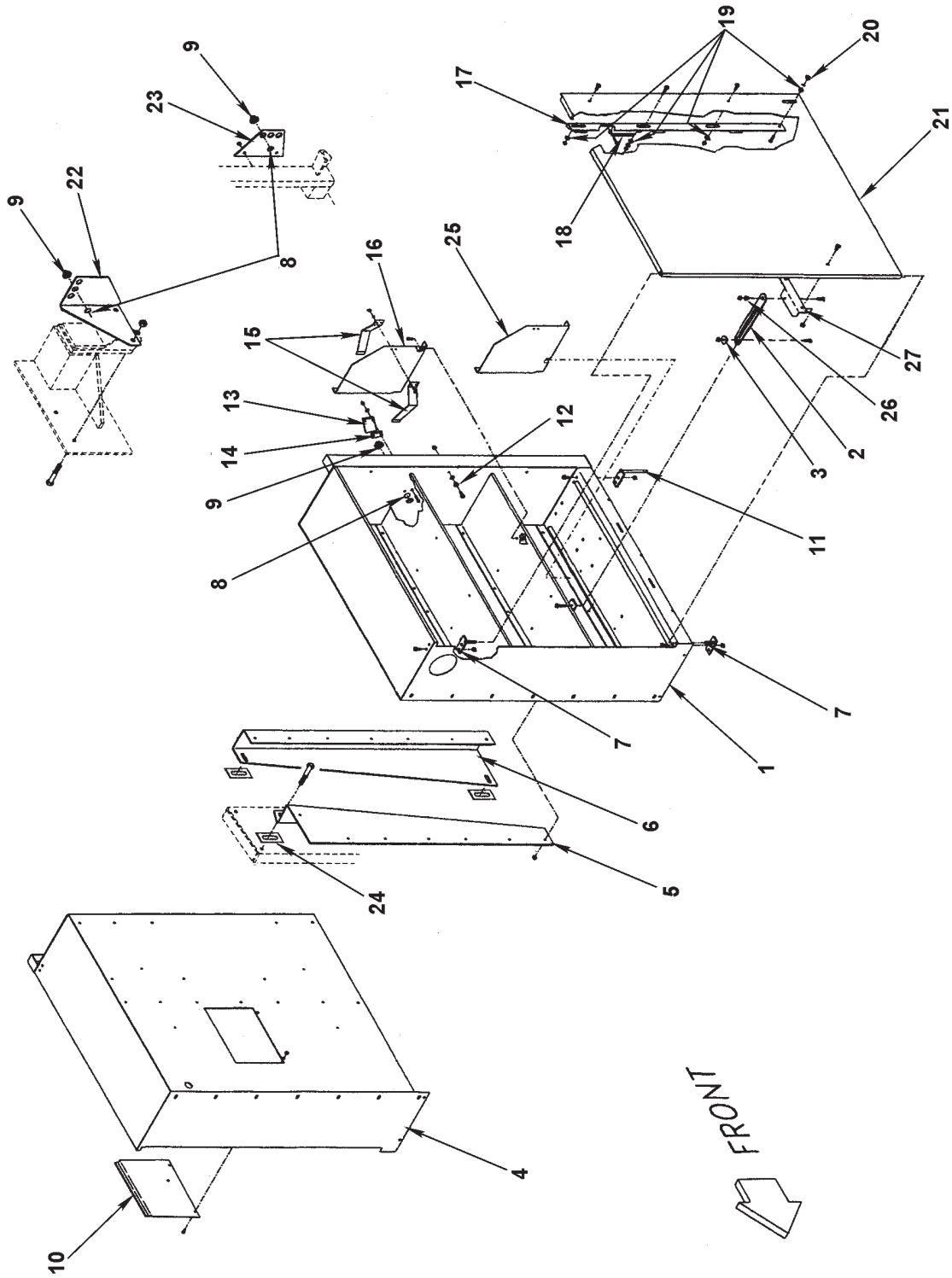
LOWER FRONT SHIELDS ASSEMBLY



LOWER FRONT SHIELDS ASSEMBLY

REF NO.	PART NO.	DESCRIPTION	QTY. USED	REF NO.	PART NO.	DESCRIPTION	QTY. USED
1	SHD0023399	LOWER RIGHT FRONT SHIELD	1	15	NCW0103200	WING NUT NF 10-32	3
2	NMS0000117	5/16" NC WHIZ NUT - PLATED	18	16	SHD0023180	5 POST JUNC BLOCK SHIELD	1
3	SMT0002001	5/16 X 3/4 TH MACH SCREW-PLT	6	17	CBK0005540	CIRCUIT BREAKER	1
4	SHD0024071	LOWER LEFT FRT SHIELD	1	18	220044	DUP HEX NUT 10-32 ZINC	10
5	ANC0023506	FRONT SHIELD ANCHOR	3	19	R13806992	WASHER, LOCK; #10 REG HEL SPR ZY	4
6	ANC0023322	LEFT FRONT SHIELD ANCHOR	1	20	00103338	WASHER, FLAT	4
7	SMS0000184	5/16 X 3/4 NC WHIZ BOLT-PLATED	10	21	TEB0472105	5 POST TERMINAL BLOCK	1
8	NMS0000250	1/4" NC WHIZ NUT	9	22	SMR1320300	RND HD MS NF 10-32 X 3	3
9	MNT0023391	CONTROL FAN BOX MOUNT	1	23	BRC0023404	PL,BRACE;C; 10GA X 9 X 17.625	1
10	SOL0024059	CONTINUOUS DUTY SOLENOID	1	24	ANC0023403	RIGHT FRONT SHIELD ANCHOR	1
11	BOX036050E	MAIN CONTROL BOX ASSY	1	25	SMS0000171	WHIZ BOLT 1/4 X 5/8 NC -PLATED	1
12	399741W	DUP WHIZ BOLT 1/4-20 X 3/4"	11	26	CRB3130075	RIGHT FRONT SHIELD ANCHOR	1
13	ELC0174831	FAN SEQUENCER ASSY COMPLETE	1				
14	CLP7701165	CLAMP, INSUL; 1.5, .406 HOLE	4				

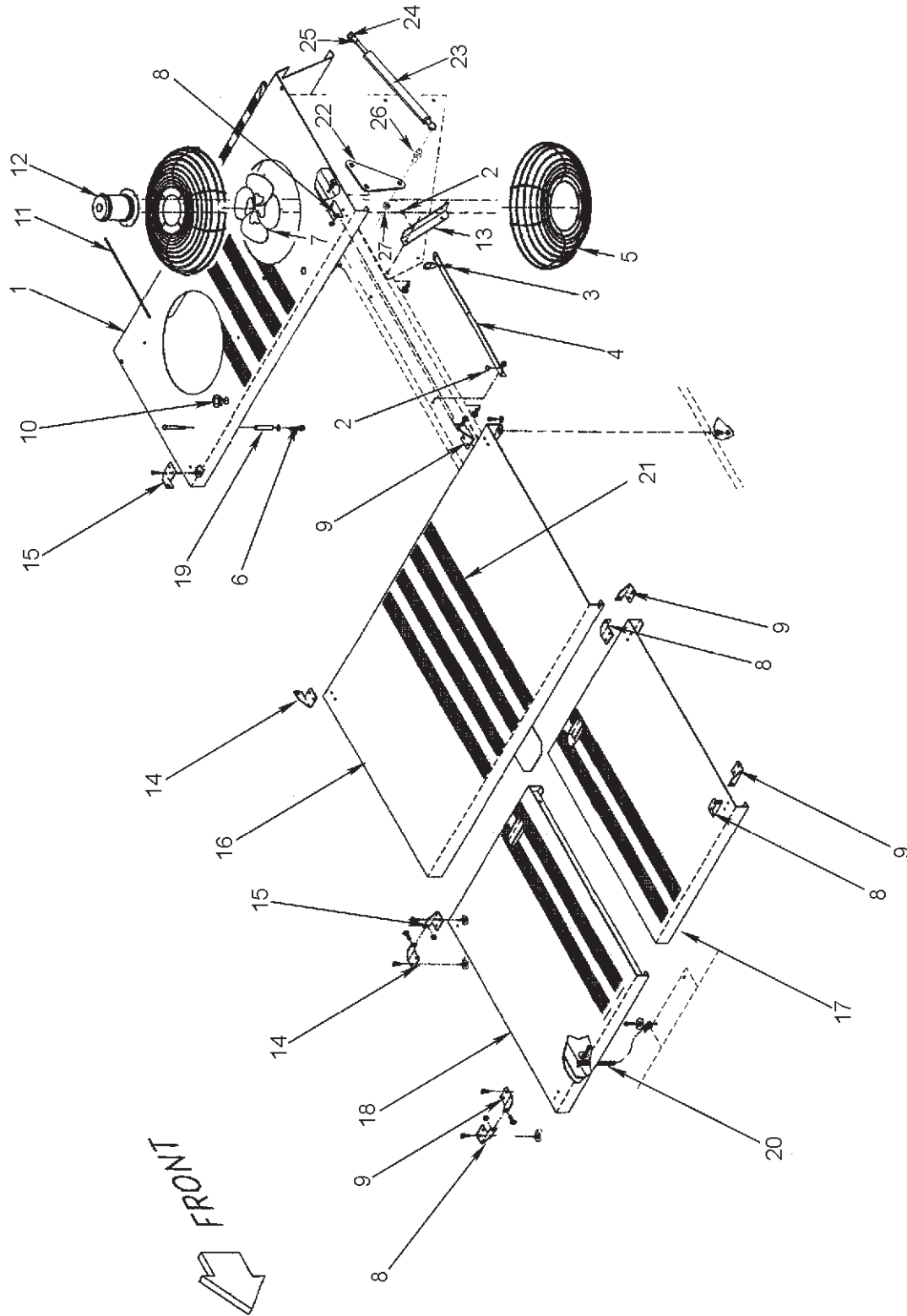
TWINE BOXES AND BRACKETS ASSEMBLY



TWINE BOXES AND BRACKETS ASSEMBLY

REF NO.	PART NO.	DESCRIPTION	QTY. USED	REF NO.	PART NO.	DESCRIPTION	QTY. USED
1	BOX0024949	L. H. TWINE BOX -AFT/3-92	1	16	BOX0232370	LH TWINE BOX OPT. DIVIDER	6
2	SHD0096569	STAY, SHIELD DOOR	2		BOX0232371	RH TWINE BOX OPT. DIVIDER	6
	SMT0002001	5/16 X 3/4 NC MACH. SCREW - PLTD	4		SMR0001001	1/4 X 3/4 NC MACH. SCREW - PLTD	24
	NCE0000313	5/16 NC ESNA LOCKNUT - PLTD	4		WLK0000250	1/4 MEDIUM LOCKWASHER PLTD	24
3	PLU0506009	PLUG, STAY DOOR	2		NCH0000250	1/4 NC HEX NUT - PLTD	24
4	BOX0024950	R. H. TWINE BOX -AFT/3-92	1	17	LTH1584700	L. H. TWINE BOX DOOR LATCH	1
5	MNT0231010	LH FRONT TWINE BOX MOUNT	1		LTH1584701	R. H. TWINE BOX DOOR LATCH	1
	MNT0231011	RH FRONT TWINE BOX MOUNT	1	18	F 0000278	SPRING F/KNOTTER TRIP ARM	2
	NMS0000117	5/16 NC WHIZ NUT - PLTD	12		NCH000313	5/16 NC HEX NUT	4
	SMS0000184	5/16 X 3/4 NC WHIZ BOLT - PLTD	12		SCC0010002	1/4 X 1 NC GRD 5 HEX BOLT - PLTD	2
6	MNT0231020	LH REAR TWINE BOX MOUNT	1	19	BSH0015842	TWN BX DOOR LATCH GUID.BUSHING	8
	MNT0231021	RH REAR TWINE BOX MOUNT	1		WCT0000313	5/16 FLAT WASHER - PLTD	4
	NMS0000117	5/16 NC WHIZ NUT - PLTD	12		SCC0020003	5/16 X 1-1/4 NC GRD 5 HEX BOLT - PLTD	2
	SMS0000184	5/16 X 3/4 NC WHIZ BOLT - PLTD	12		SCC0020002	5/16 X 1 NC GRD 5 HEX BOLT - PLTD	6
7	HNG0232330	LH TOP HINGE PIN-AT/11-89	2		NCE0000313	5/16 NC ESNA LOCK NUT - PLTD	6
	HNG0232331	RH TOP HINGE PIN-AF/11-89	2	20	F 0001007	CONTROL KNOB - 5/16 NC THREAD	2
	NMS0000117	5/16 NC WHIZ NUT - PLTD	8		SCC0020002	5/16 X 1 NC GRD 5 HEX BOLT - PLTD	2
	SMS0000184	5/16 X 3/4 NC WHIZ BOLT - PLTD	8		WLK0000313	5/16 MEDIUM LOCKWASHER - PLTD	2
	WCT0000313	5/16 FLAT WASHER - PLTD	8	21	DOR0232300	LH TWINE BOX DOOR	1
8	F 0000857	SNAP RING F/TWN GUIDE BUSHING	18		DOR0232301	RH TWINE BOX DOOR	1
9	F 0000856	TWINE & WIRE GUIDE BUSHING	18	22	BKT0263230	LH TWN GUIDE BRACKET-AFT/11-92	1
10	CVR0232361	R. H. TWN BX FILTER ACCESS CVR	1		BKT0263231	RH TWN GUIDE BRACKET-AFT/11-92	1
	SCC0000100	1/4 X 1/2 NC HT GRD 5 HEX CS	2		SCC0070012	5/8 X 3-1/2 NC GRD 5 HEX BOLT - PLTD	4
	NCC0002500	1/4 NC CAGE NUT	2		WLK0000625	5/8 MEDIUM LOCKWASHER - PLTD	4
11	HNG0235070	L. H. LOWER FRONT DOOR HINGE	1		NCH0000625	5/8 NC HEX NUT - PLTD	4
	HNG0235071	R. H. LOWER FRONT DOOR HINGE	1	23	BKT0023462	TWINE GUIDE BRACKET	2
	NMS0000117	5/16 NC WHIZ NUT - PLTD	4		SCC0030001	3/8 X 3/4 NC GRD 5 HEX BOLT - PLTD	4
	SMS0000184	5/16 X 3/4 NC WHIZ BOLT - PLTD	4		NCE0000375	3/8 NC ESNA LOCKNUT - PLTD	4
	WCT0000313	5/16 FLAT WASHER - PLTD	4	24	F 0000967	SHIM F/PINION SHAFT BRG - 16GA	12
12	BSH0015841	TWINE BOX DOOR LATCH BUSHING	6		F 0000967A	SHIM F/PINION SHAFT BRG - 20GA	12
	SCC0020002	5/16 X 1 NC GRD 5 HEX BOLT - PLTD	6		F 0000967B	SHIM F/PINION SHAFT BRG - 10GA	12
	NCE0000313	5/16 NC ESNA LOCK NUT - PLTD	6	25	BOX0507654	LH TWINE BOX BOTTOM	1
	WCT0000313	5/16 FLAT WASHER - PLTD	6		BOX0507655	RH TWINE BOX BOTTOM	1
13	CVR0016464	TWINE GUIDE COVER	6		SCC0020003	5/16 X 1-1/4 NC GRD 5 HEX BOLT - PLTD	2
	SCC0010002	1/4 X 1 NC GRD 5 HEX BOLT - PLTD	12	26	F 0008147	TWINE FINGER DRIVE ROD BUSHING	2
	WCT0000250	1/4 FLAT WASHER - PLTD	12	27	MNT5064110	LH MOUNT, DOOR STAY	1
	NCE0000250	1/4 NC ESNA LOCKNUT - PLTD	12		MNT5061131	RH MOUNT, DOOR STAY	1
14	SPC0016465	TWINE GUIDE COVER SPACER	6		SMT0002001	5/16 X 3/4 NC MACH. SCREW - PLTD	4
15	RET0023771	RETAINER, TWINE BALL	18		NMS0000117	5/16 NC WHIZ NUT - PLTD	4
	SMR0001001	1/4 X 3/4 NC MACH. SCREW - PLTD	18				
	WLK0000250	1/4 MEDIUM LOCKWASHER PLTD	18				
	NCH0000250	1/4 NC HEX NUT - PLTD	18				

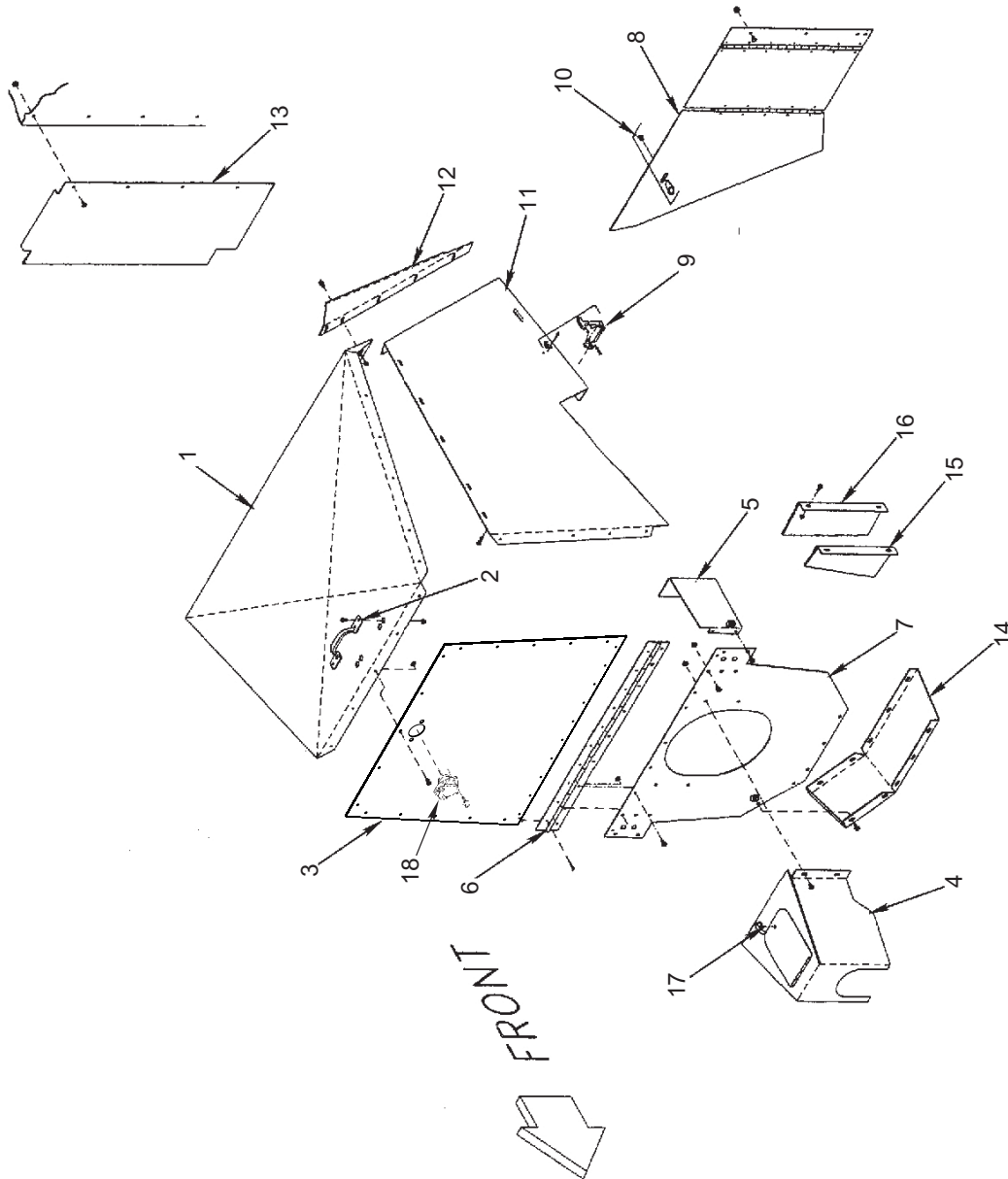
TOP COVERS AND KNOTTER FANS ASSEMBLY



TOP COVERS AND KNOTTER FANS ASSEMBLY

REF NO.	PART NO.	DESCRIPTION	QTY. USED	REF NO.	PART NO.	DESCRIPTION	QTY. USED
1	CVR037639E	KNOTTER FAN SHROUD ASSEMBLY	1	14	HNG1598500	L. H. PLUNGER COVER HINGE SECT	3
2	BMP0004243	RUBBER BUMPER F/HOOD	10		NMS0000250	1/4 NC WHIZ NUT - PLTD	6
3	FST0010401	MED DUTY FOLDING HANDLE FASTNR	2		SMS0000171	1/4 X 5/8 NC WHIZ BOLT - PLTD	6
4	900014	LH KNOTTER COVER SUPPORT	1	15	HNG1598600	L. H. PLUNGER COVER HINGE SECT	3
	900015	RH KNOTTER COVER SUPPORT	1		NMS0000250	1/4 NC WHIZ NUT - PLTD	6
	NMS0000117	5/16 NC WHIZ NUT - PLTD	2		SMS0000171	1/4 X 5/8 NC WHIZ BOLT - PLTD	6
5	GRD0004432	CAGE F/KNOTTER BLOWER-COMLETE	2		SCC0020001	5/16 X 3/4 NC GRD 5 HEX BOLT - PLTD	1
6	CLP0022526	FAN GUARD CLIP	16		NCE0000313	5/16 LOCK NUT NYLON INSERT	1
	WCT0000250	1/4 FLAT WASHER	8	16	CVR0023300	REAR PLUNGER COVER ASSY	1
	NMS0000250	1/4 NC WHIZ NUT - PLTD	8		WCT0000250	1/4 FLAT WASHER	4
7	FAN0250937	FAN BLADE F/KNOTTER BLOWER	2		WLK0000250	1/4 S/T LOCK WASHER	2
8	HNG1598501	R. H. PLUNGER COVER HINGE SECT	3		NCH0000250	1/4 NC HEX NUT - PLTD	2
	NMS0000250	1/4 NC WHIZ NUT - PLTD	6		SCC0010001	1/4 X 3/4 NC GRD 5 HEX BOLT	2
	SMS0000171	1/4 X 5/8 NC WHIZ BOLT - PLTD	6	17	CVR037735D	RH HALF PLUNGER CVR,SHLD	1
9	HNG1598601	R. H. PLUNGER COVER HINGE SECT	3	18	CVR037736D	LH HALF PLUNGER CVR,SHLD	1
	NMS0000250	1/4 NC WHIZ NUT - PLTD	6	19	SPC0506402	SPACER, KNOTTER FANS	8
	SMS0000171	1/4 X 5/8 NC WHIZ BOLT - PLTD	6		SCC0000110	1/4 X 3 HEX HD BOLT GRD 5 - PLTD	8
	SCC0020001	5/16 X 3/4 NC GRD 5 HEX BOLT - PLTD	1	20	CHN0506116	CHAIN 3/6 LONG LINK	2
	NCE0000313	5/16 LOCK NUT NYLON INSERT	1		SCC0010002	1/4 X 1 NC GRD 5 HEX BOLT	2
10	GRM0002285	7/8ID 1-1/8OD 1/16GRV GROMMET	2		WCT0000250	1/4 FLAT WASHER	2
11	CBT5151250	3/16 X 15-1/8 CABLE TIE	4	21	219382	TAPE, SAFETY WALK 4 WIDE	A/R
12	MTR0022706	KNOTTER FAN MOTOR W/LEADS	2	22	MNT037717A	FAN SHROUD SPRING MOUNT	1
	NFH0001032	10-32 NF HEX NUT - PLTD	4	23	SPG0000090	90 LB GAS SPRING	1
	WCT0010000	#10 FLAT WASHER	4	24	SOK0000001	METAL BALL SOK END FITTING	2
13	SUP5061231	RH KNOTTER COVER SUPPORT	1	25	CLP0000002	SAFETY CLIPS F/10MM BALL	2
	SUP5061240	LH KNOTTER COVER SUPPORT	1	26	STD0000M10	M10 BALL STUD	2
	NMS0000117	5/16 NC WHIZ NUT - PLTD	4	27	NMS0000117	WHIZ NUT 5/16-18 PLATED	1
	SMS0000184	5/16 X 3/4 NC WHIZ BOLT - PLTD	4				

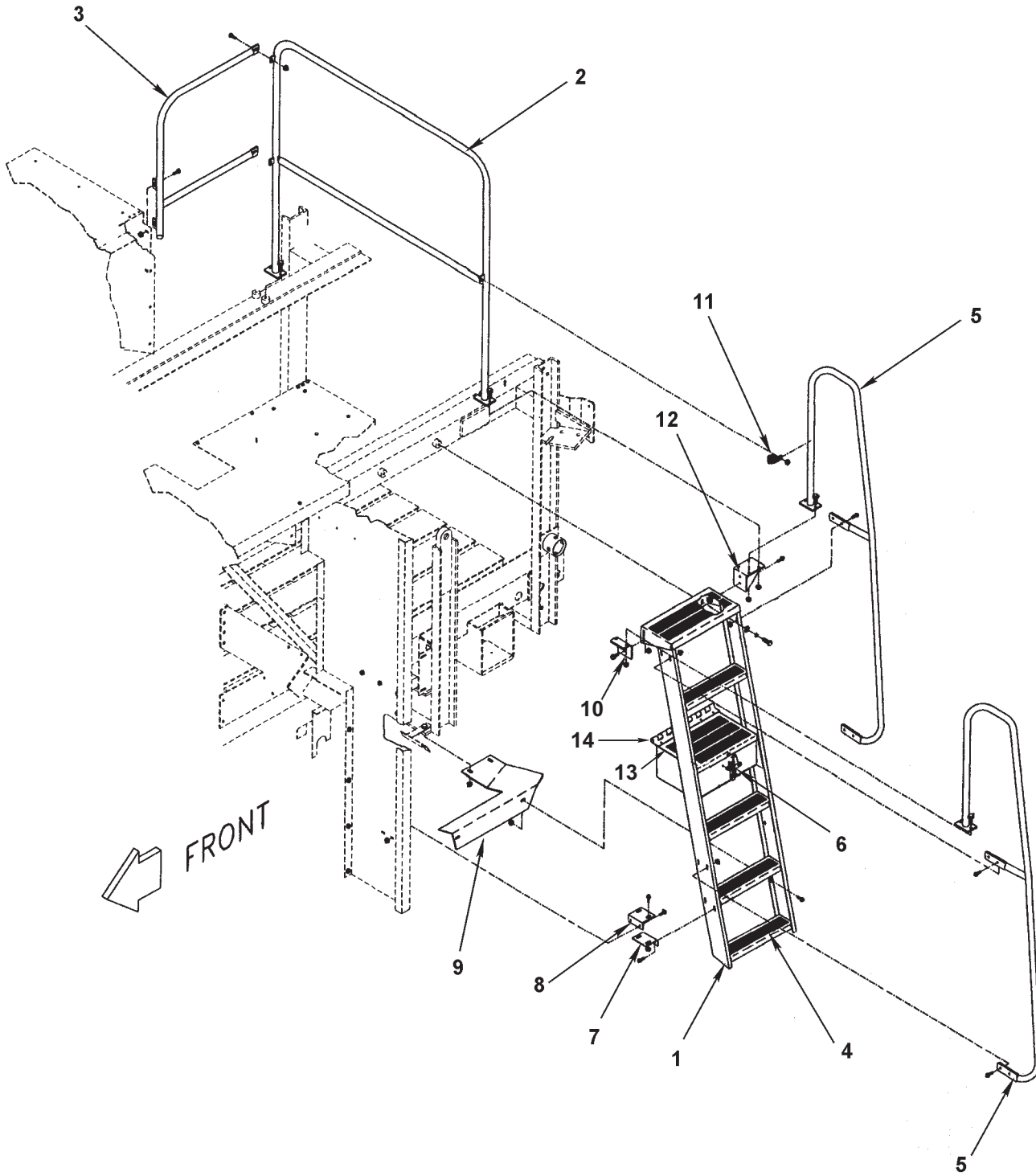
DRIVE UNIT SHIELDS ASSEMBLY



DRIVE UNIT SHIELDS ASSEMBLY

REF NO.	PART NO.	DESCRIPTION	QTY. USED	REF NO.	PART NO.	DESCRIPTION	QTY. USED
1	SHD0023412	DRIVE UNIT TOP SHIELD	1	11	SHD0235050	L.H. DRV UNIT SHIELD ASB	1
2	HAN0000817	CHROME GRAB HANDLE-	1		SHD0235051	R.H. DRV UNIT SHIELD ASB	1
	SMS0000171	1/4 X 5/8 NC WHIZ BOLT - PLTD	4		SMS0000171	1/4 X 5/8 NC WHIZ BOLT - PLTD	10
	NMS0000240	1/4 NC WHIZ NUT - PLTD	4		NMS0000240	1/4 NC WHIZ NUT - PLTD	10
3	SHD036133E	UPPER FRONT SHEAVE SHIELD	1	12	SHD0235000	L. H. DRIVE UNIT DUST SHD	1
	SMS0000171	1/4 X 5/8 NC WHIZ BOLT - PLTD	4		SHD0235001	R.H. DRIVE UNIT DUST SHD	1
	NMS0000240	1/4 NC WHIZ NUT - PLTD	4		SMS0000171	1/4 X 5/8 NC WHIZ BOLT - PLTD	10
4	SHD0506642	SHIELD, PTO CLUTCH COVER	1		NMS0000240	1/4 NC WHIZ NUT - PLTD	10
	SMT0002001	5/16 X 3/4 MACHINE SCREW - PLTD	4	13	SHD0234050	TOP FRONT SHIELD, LEFT	1
	NMS0000117	5/16 NC WHIZ NUT - PLTD	4		SHD0234051	TOP FRONT SHIELD, RIGHT	1
5	SHD0235080	L. H. SHEAVE DUST SHIELD	1		SMT0002001	5/16 X 3/4 MACHINE SCREW - PLTD	8
	SHD0235081	R. H. SHEAVE DUST SHIELD	1		NMS0000117	5/16 NC WHIZ NUT - PLTD	8
	SMS0000171	1/4 X 5/8 NC WHIZ BOLT - PLTD	4	14	SHD0023422	MAIN SHEAVE BOTTOM SHIELD	1
	NMS0000240	1/4 NC WHIZ NUT - PLTD	4		SMS0000171	1/4 X 5/8 NC WHIZ BOLT - PLTD	10
6	HNG0023458	SHEAVE FRONT SHIELD HINGE	1		NMS0000240	1/4 NC WHIZ NUT - PLTD	10
	RIV0000604	3/16X1/4 STAINLESS GRIP RIVET	14	15	SHD0237720	LH SIDE DUST SHD ASSY	1
7	SHD0023442	SHEAVE FRONT LOWER SHIELD-	1		SHD0237721	RH SIDE DUST SHD-HESSTON ACCUM	1
	SMS0000171	1/4 X 5/8 NC WHIZ BOLT - PLTD	9		SMS0000171	1/4 X 5/8 NC WHIZ BOLT - PLTD	4
	NMS0000240	1/4 NC WHIZ NUT - PLTD	9		NMS0000240	1/4 NC WHIZ NUT - PLTD	4
8	CVR0234290	LH FRONT ACCESS COVER ASY	1	16	SHD0237730	L.H. REAR DUST SHD ASSY	1
	CVR0234291	RH FRONT ACCESS COVER ASY	1		SHD0237731	R.H. REAR DUST SHD ASSY	1
	SMS0000171	1/4 X 5/8 NC WHIZ BOLT - PLTD	4		SMS0000171	1/4 X 5/8 NC WHIZ BOLT - PLTD	4
	NMS0000240	1/4 NC WHIZ NUT - PLTD	4		NMS0000240	1/4 NC WHIZ NUT - PLTD	4
9	LAT0000201	RUBBER DRAW LATCH	2	17	SHD0237730	L.H. REAR DUST SHD ASSY - 1592	1
10	FST0010401	MED DUTY FOLDING HANDLE FASTNR	2	18	SOK0012063	SOCKET-7 CONDUCTOR	1

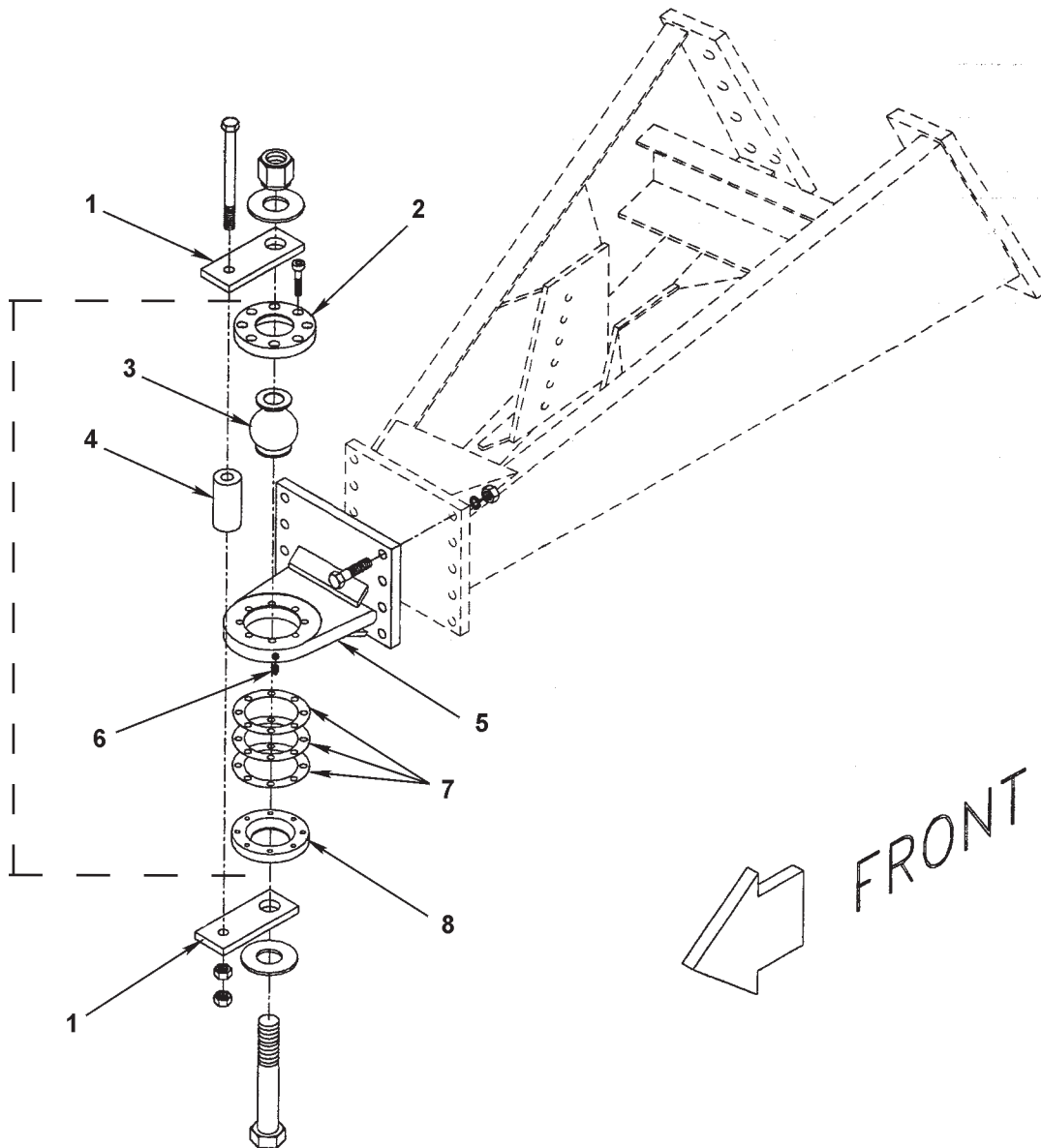
SERVICE LADDER AND HANDRAILS ASSEMBLY



SERVICE LADDER AND HANDRAILS ASSEMBLY

REF NO.	PART NO.	DESCRIPTION	QTY. USED	REF NO.	PART NO.	DESCRIPTION	QTY. USED
1	LDR0023313	SERVICE LADDER ASSEMBLY -	1	7	BRC0025407	SERVICE LADDER BRACE-AFT/4-92	1
	SMS0000184	5/16 X 3/4 NC WHIZ BOLT - PLTD	2		SMS0000184	5/16 X 3/4 NC WHIZ BOLT - PLTD	2
	NMS0000117	5/16 NC WHIZ NUT - PLTD	2		NMS0000117	5/16 NC WHIZ NUT - PLTD	2
	SCC0030002	3/8 X 1 NC HT CAPSCREW - PLTD	2	8	BRC0025406	SERVICE LADDER BRACE-AFT/4-92	1
	WLK0000375	3/8 MEDIUM LOCK WASHER - PLTD	2		SMS0000184	5/16 X 3/4 NC WHIZ BOLT - PLTD	2
	WCT0000375	3/8 FLAT WASHER - PLTD	2		NMS0000117	5/16 NC WHIZ NUT - PLTD	2
2	RAL0024153	REAR RAIL ASSEMBLY	1	9	SUP0023344	LADDER SUPPORT	1
	SMS0000177	5/16 X 1 NC WHIZ BOLT - PLTD	2		SMS0000177	5/16 X 1 NC WHIZ BOLT - PLTD	2
	NMS0000117	5/16 NC WHIZ NUT - PLTD	2		NMS0000117	5/16 NC WHIZ NUT - PLTD	2
	SMS0000181	3/8 X 3/4 NC WHIZ BOLT - PLTD	2	10	BKT0023510	SERV LADDER HANDRAIL TOP BKT	1
3	RAL0024152	SIDE RAIL ASSEMBLY	1		SMS0000177	5/16 X 1 NC WHIZ BOLT - PLTD	2
	SMS0000184	5/16 X 3/4 NC WHIZ BOLT - PLTD	4		NMS0000117	5/16 NC WHIZ NUT - PLTD	2
	NMS0000117	5/16 NC WHIZ NUT - PLTD	4	11	CLP7701163	1"INSULATED HOSE CLP W/13/32"	2
4	STP0002000	STEP COVER-SAFETY WALK 2"	10		SMS0000184	5/16 X 3/4 NC WHIZ BOLT - PLTD	1
5	RAL0023318	SERVICE LADDER HANDRAIL ASSY.	2		NMS0000117	5/16 NC WHIZ NUT - PLTD	1
	SMS0000184	5/16 X 3/4 NC WHIZ BOLT - PLTD	8	12	BKT0024175	LADDER HANDRAIL BRACKET	1
	NMS0000117	5/16 NC WHIZ NUT - PLTD	12		SMS0000177	5/16 X 1 NC WHIZ BOLT - PLTD	2
	SMS0000177	5/16 X 1 NC WHIZ BOLT - PLTD	4		NMS0000117	5/16 NC WHIZ NUT - PLTD	2
6	CLP0000130	HOOK-TYPE FASTENER	1	13	CVR0023598	TOOL BOX COVER ASSEMBLY	1
	RIV0000604	3/16X1/4 STAINLESS GRIP RIVET	12	14	HNG0023485	HINGE	1

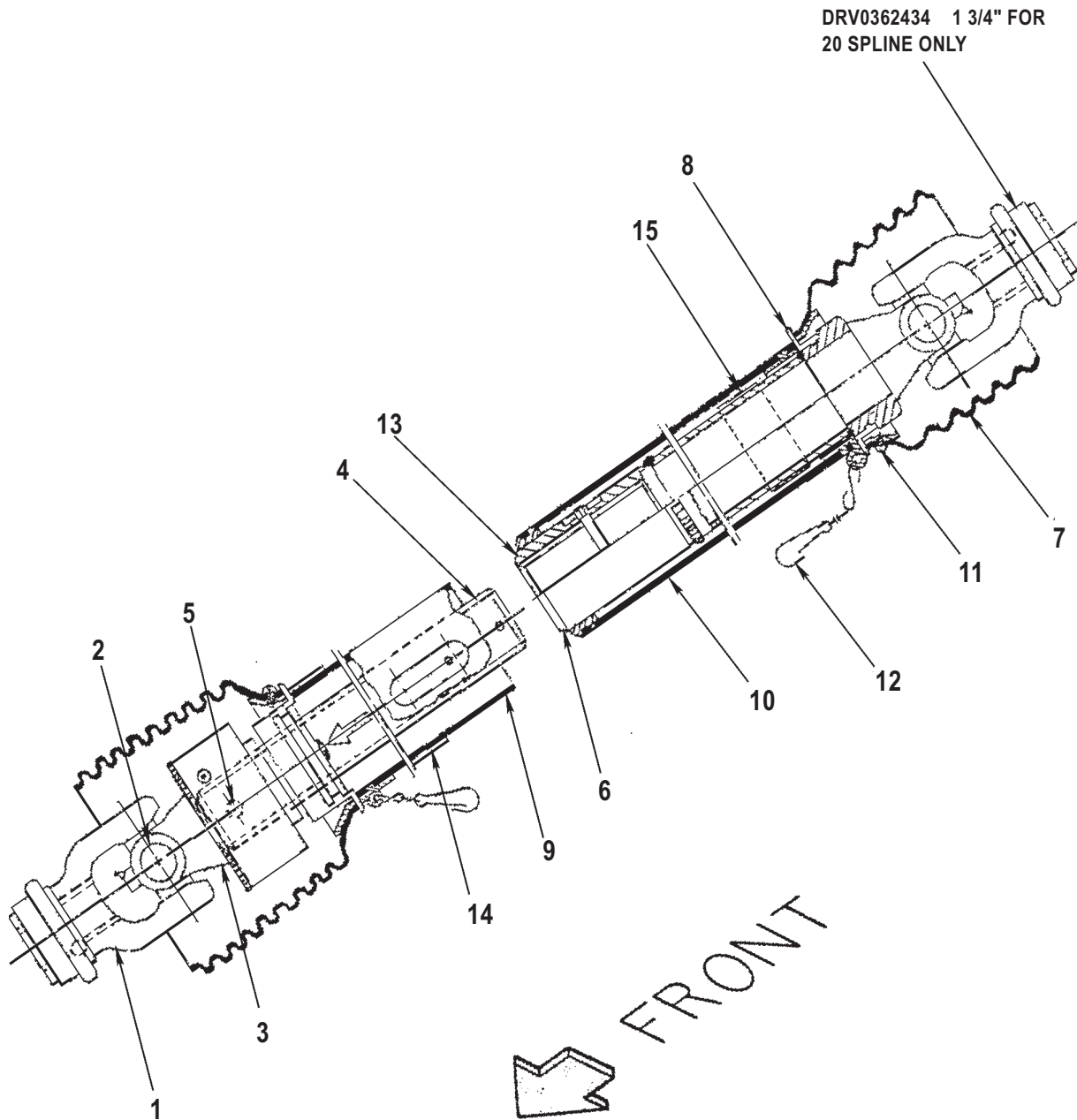
BALL HITCH ASSEMBLY



BALL HITCH ASSEMBLY

REF NO.	PART NO.	DESCRIPTION	QTY. USED
1	PLT0021488	CLEVIS PIN PLATE	2
	SCC0000721	5/8 X 7-1/2 NC HT CAP SCREW	1
	NCH0000625	5/8 NC HEX NUT PLTD	2
2	PLT0021486	BALL HITCH TOP PLATE	1
	SCS0000306	3/8 X 2 NC SOCKET HD CS - PLTD	8
3	HTH0021490	HITCH BALL	1
4	SPC0021489	CLEVIS PLT SPACER	1
	SCC0001325	1-1/4 X9-1/2 NC HT CAP SCREW	1
	WCT0125000	1-1/4" FLATWASHER	2
	NCE0012500	1-1/4" NC ESNA NUT - PLTD	1
5	HTH0021484	OPTIONAL BALL HITCH MOUNT	1
	SCC0070008	5/8 X 2-1/2 NC HT CAPSCREW - PLTD	8
	WLK0000625	5/8 MEDIUM LOCKWASHER - PLTD	8
	NCH0000625	5/8 NC HEX NUT - PLTD	8
6	ZZ 0000103	1/8 NPT STR 5/16 HEX ZERK	1
7	SHM0021483	HITCH BALL SHIM	4
8	PLT0021487	BALL HITCH BOTTOM PLATE	1
2-8	KIT0015001	HEAVY BALL HITCH ASSY	

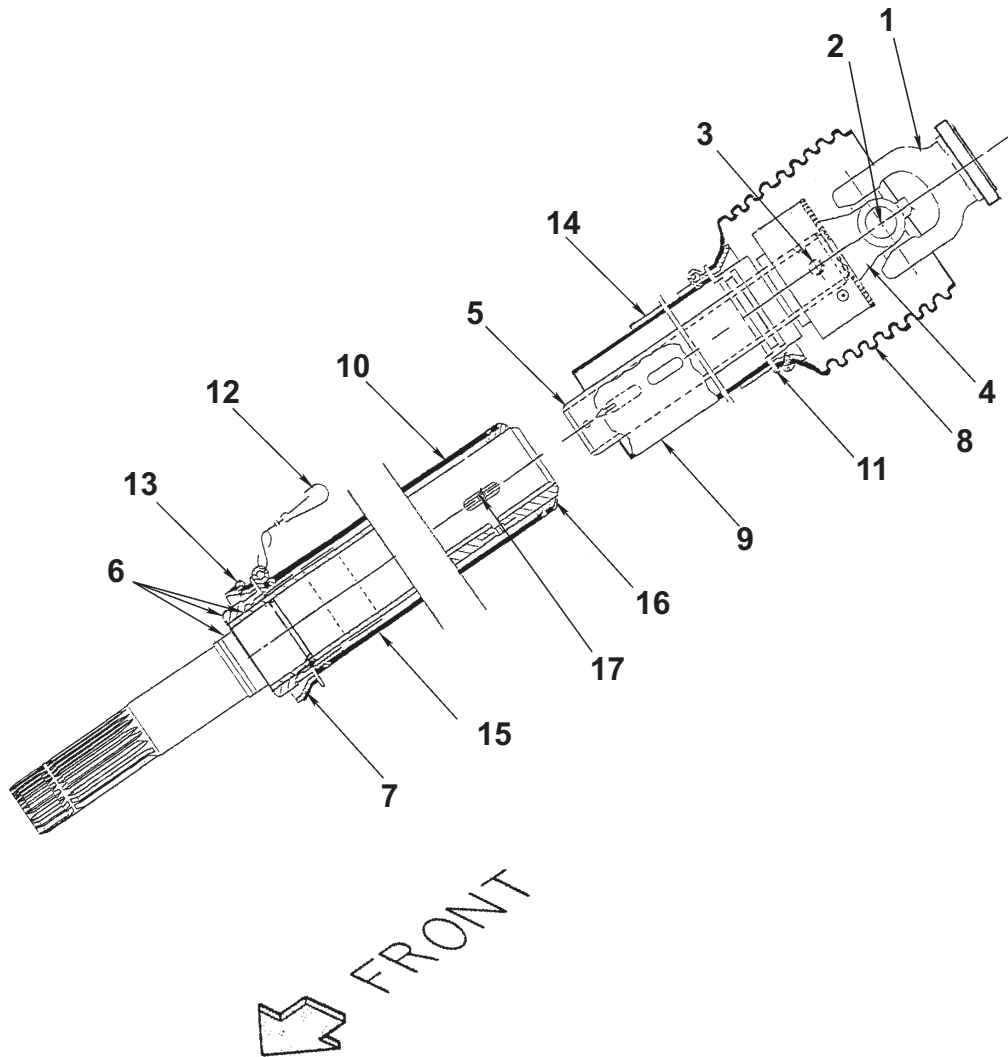
P.T.O. SHAFT ASSEMBLY



P.T.O. SHAFT ASSEMBLY

REF NO.	PART NO.	DESCRIPTION	QTY. USED
1	DRV0362430	FRONT YOKE 1 3/8" FOR 21 SPLINE	1
	DRV0362434	FRONT YOKE 1 3/4" FOR 20 SPLINE	1
2	DRV0312209	U-JOINT KIT F/1500 REAR DRVLIN	2
3	YOK0174039	INBOARD YOKE F/DRV389774 1-3/4	1
4	DRV0388944	INNER PROFILE FOR 20 SPLINE	1
	DRV0388242	INNER PROFILE FOR 21 SPLINE	1
5	DRV0304046	SPRING PACK	1
6	DRV0389775	SLEEVE, TUBE & INBOARD YOKE 20SP	1
	DRV0388243	SLEEVE, TUBE & INBOARD YOKE 21SP	1
7	DRV0365387	SHIELD CONE 7-RIB	2
8	DRV0087276	BEARING RING	2
9	DRV0389772	OUT SHIELD TUBE OVL	1
	DRV0389776	OUT SHIELD TUBE OVL	1
10	DRV0389773	INN. SHIELD TUBE ROUND	1
	DRV0389777	INN. SHIELD TUBE ROUND	1
11	DRV0365305	SCREW	2
12	CHN0044321	SAFETY CHAIN	2
13	DRV0355155	SUPPORT BEARING	1
14	DRV0383333	DECAL OUT. IN ITEM 11	1
15	DRV0383334	DECAL INN. IN ITEM C	1

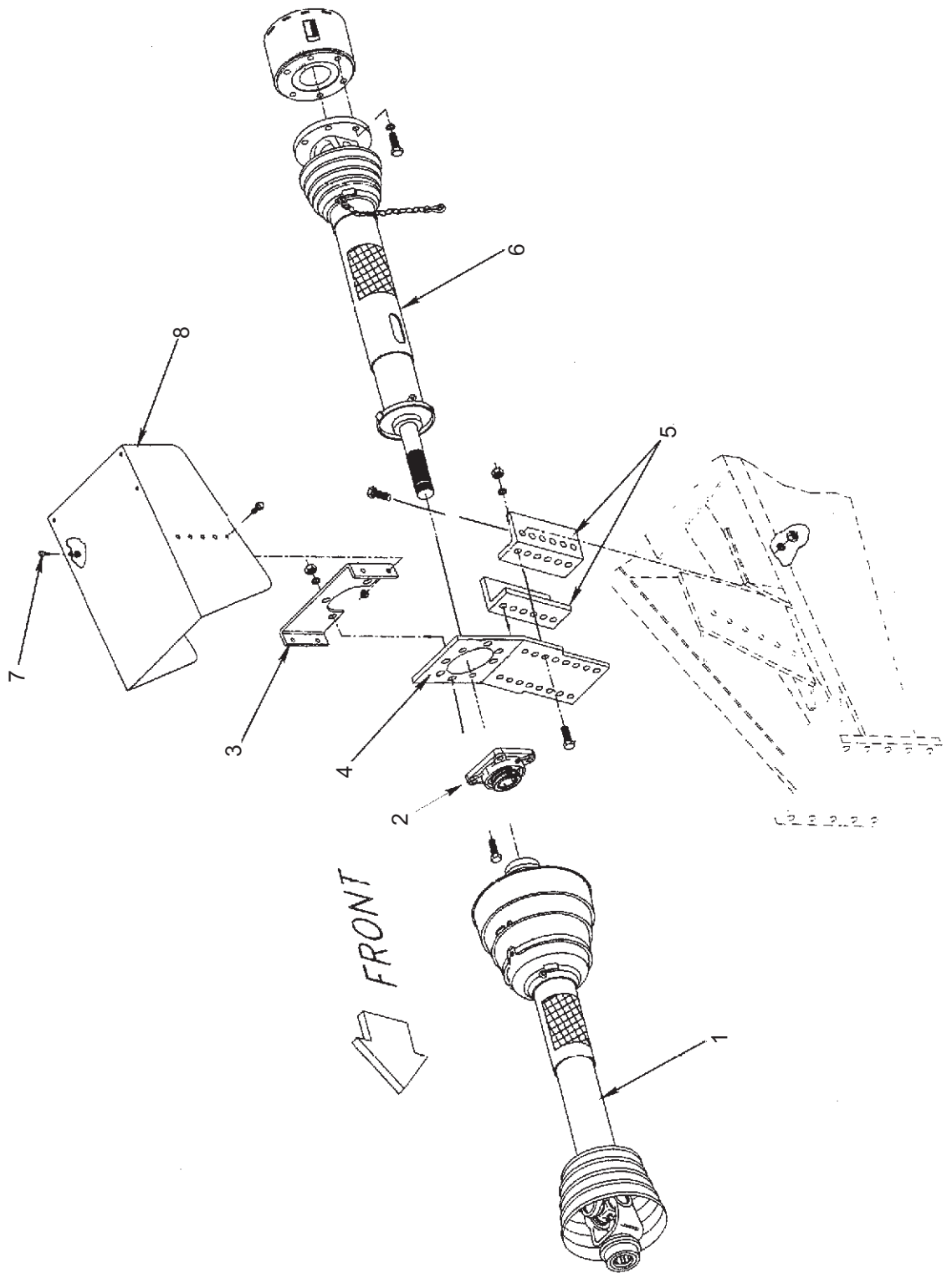
P.T.O. SHAFT ASSEMBLY



P.T.O. SHAFT ASSEMBLY

REF NO.	PART NO.	DESCRIPTION	QTY. USED
1	DRV0323155	FLANGE YOKE	1
2	DRV0312209	U-JOINT KIT F/1500 REAR DRVLIN	1
3	DRV0304046	SPRING PACK	1
4	DRV0097133	INBOARD YOKE S4	1
5	DRV0323756	INNER PROFILE S4	1
6	DRV0389778	S5 PROFILE, SLEEVE, SHEILD SUPPORT & STUB SHAFT	1
7	DRV0365556	GUARD RING	1
8	DRV0365385	SHIELD CONE - 5 RIB	1
9	DRV0389780	OUTER SHIELD TUBE OVAL	1
10	DRV0389781	INNER SHIELD TUBE RND	1
11	DRV0087276	BEARING RING	2
12	CHN0044321	SAFETY CHAIN	1
13	DRV0365305	SCREW	2
14	DRV0383333	DECAL OUT. IN ITEM 11	1
15	DRV0383334	DECAL INN. IN ITEM C	1
16	DRV0355155	SUPPORT BEARING	1
17	DRV0380371	ZERK FITTING	1

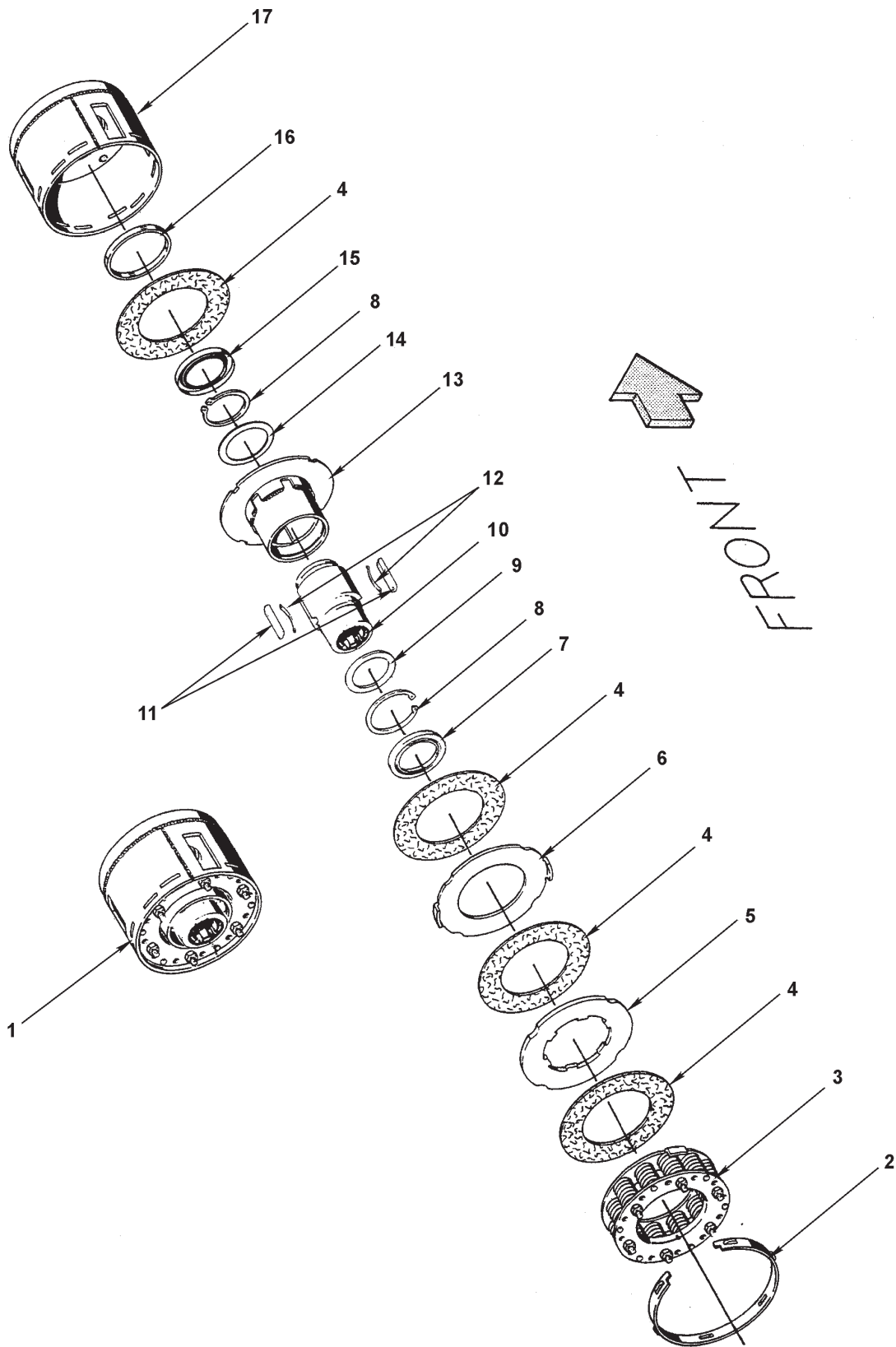
3-PIECE P.T.O. DRIVE LINE ASSEMBLY



3-PIECE P.T.O. DRIVE LINE ASSEMBLY

REF NO.	PART NO.	DESCRIPTION	QTY. USED
1	DRV0389771	1-3/8"x21 FRNT SHF F/3PC DRVLN	1
	DRV0389774	1-3/4"x20 FRNT SHF F/3PC DRVLN	1
2	BRG0000022	HEAVY DUTY CENTER BEARING	1
	SCC0050004	1/2 X 1-1/2 NC HT CS - PLATED	4
	WLK0000500	1/2" LOCKWASHER - PLATED	4
	NCH0000500	1/2" NC HEX NUT - PLATED	4
3	BKT0027448	PTO SHAFT SHIELD BRACKET	1
	SCC0050004	1/2 X 1-1/2 NC HT CS - PLATED	4
	WLK0000500	1/2" LOCKWASHER - PLATED	4
	NCH0000500	1/2" NC HEX NUT - PLATED	4
4	MNT0028883	PTO SHAFT BRG MNT-A/8-94	1
	SCC0050004	1/2 X 1-1/2 NC HT CS - PLATED	4
	WLK0000500	1/2" LOCKWASHER - PLATED	4
	NCH0000500	1/2" NC HEX NUT - PLATED	4
5	ANG0027391	PTO SHF CTR BRG MNT ANGLE	2
	SCC0050004	1/2 X 1-1/2 NC HT CS - PLATED	4
	WLK0000500	1/2" LOCKWASHER - PLATED	4
	NCH0000500	1/2" NC HEX NUT - PLATED	4
6	DRV0389779	SECONDARY SHAFT F/3PC DRIVLINE	1
	SCCM112025	12M X 25M MC HEX HD CS-PLT-8.8	6
	WLKM100120	12 MM LOCKWASHER - PLATED	6
7	BMP0093769	MOUNT,SANDWICH SNGL STUD	2
	NMS0000250	1/4" NC WHIZ NUT - PLATED	2
8	SHD037078E	PTO SHAFT SHIELD -W/DECAL	1
	SMS0000184	5/16 X 3/4 NC WHIZ BOLT-PLATED	4
	NMS0000117	5/16" NC WHIZ NUT- PLATED	4

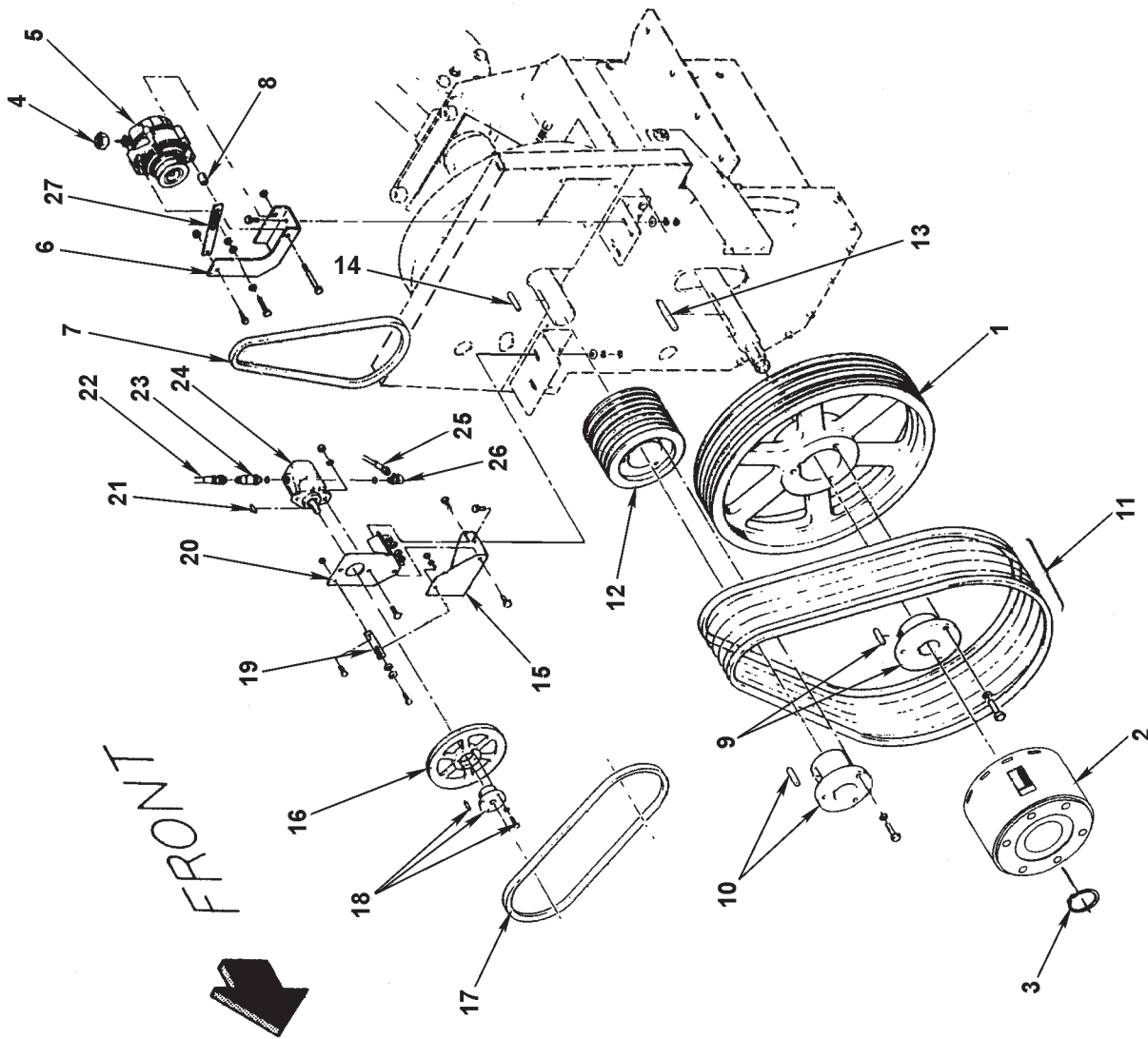
P.T.O. CLUTCH ASSY ASSEMBLY



P.T.O. CLUTCH ASSY ASSEMBLY

REF NO.	PART NO.	DESCRIPTION	QTY. USED
1	CLH0388110	TORQUE LIMITER CLUTCH	1
2	RNG0367720	SETTING RING	1
3	CLH0377672	HEAVY DUTY SPRING PACK	1
4	CLH0177009	FRICTION DISK	4
5	PLT0367725	DRIVE PLATE	1
6	PLT0367726	DRIVE PLATE	1
7	RNG0170012	SEALING RING	1
8	RNG0702100	RETAINING RING	2
9	DSK0304235	WASHER	1
10	DRV0388109	HUB 1-3/4" 6 SPLINE	1
11	KEY0331737	KEY	2
12	SPG0332185	LEAF SPRING	2
13	HSN0177008	HOUSING & DRIVE PLATE	1
14	DSK0353203	WASHER	1
15	RNG0175048	SEAL RING	1
16	RNG0367718	RING	1
17	HSN0388108	CLUTCH HOUSING	1

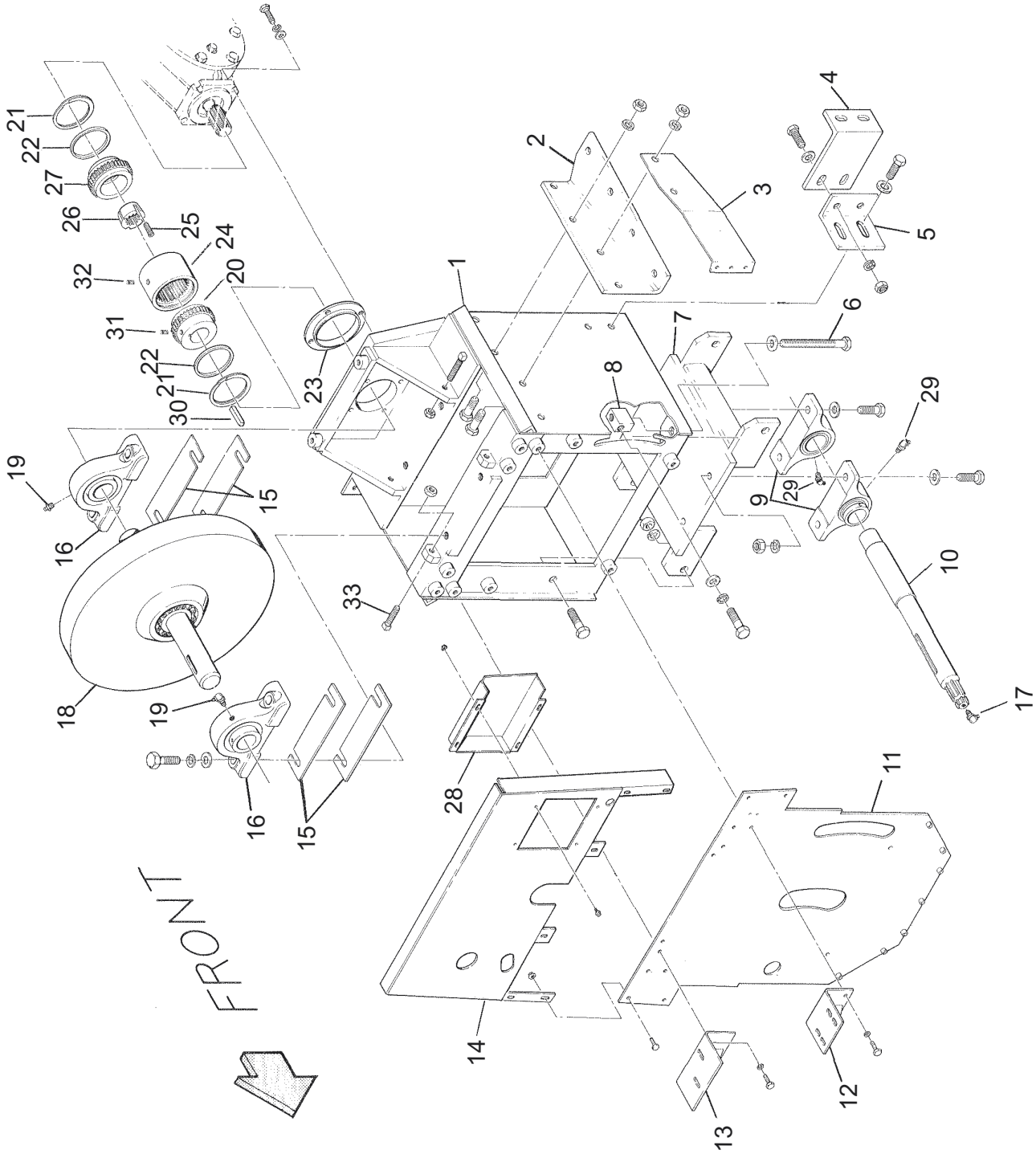
MECHANICAL DRIVE UNIT



MECHANICAL DRIVE UNIT

REF NO.	PART NO.	DESCRIPTION	QTY. USED	REF NO.	PART NO.	DESCRIPTION	QTY. USED
1	SHV0000250	SHEAVE	1	15	MNT0023288	TENS CONTROL PUMP MNT BKT	1
2	CLH0388110	NEW CLUTCH-TORQUE	1		WLK0000375	3/8" MEDIUM LOCKWASHER - PLTD	2
3	RNG5160175	1-3/4"H.D.EXTERNAL SNAP RING	1		SCC0030002	HEX HEAD CS 3/8-16 X 1"GRADE 5	2
4	NCHM008125	GR 8.8 HEX NUT 8M X 1.25 MC	1		NCH0000375	HEX NUT NC 3/8 - PLATED	2
5	ALT1002116	ALTERNATOR	1		WCT0000375	FLAT WASHER 3/8 USS	2
	WCT0000313	FLAT WASHER 5/16 -PLATED	2	16	SHV0000079	SHEAVE	1
	SCCM108035	8M X 1.25 X 35 HEX HEAD CAP SCREW	1	17	BLT0000042	COG BELT-MECHANICAL DRIVE UNIT	1
	WLKM100080	8 MM DIN 127 LOCKWASHER	1	18	BSH0005625	"H" X 9/16"BUSHING	1
6	BKT0023414	ALTERNATOR MOUNT BRACKET	1		WLK0000250	LOCKWASHER 1/4" - PLATED	3
	WLK0000375	3/8" MEDIUM LOCKWASHER - PLTD	2	19	BKT0015770	TNS CNTRL PUMP TENSION BRACKET	1
	SCC0030002	HEX HEAD CS 3/8-16 X 1"GRADE 5	2		SCC0020002	HEX HEAD CAP SCREW 5/16-18 X 1	1
	NCH0000375	HEX NUT NC 3/8 - PLATED	2		WCT0000313	FLAT WASHER 5/16 -PLATED	2
	WCT0000375	FLAT WASHER 3/8 USS	2		NCH0000313	HEX NUT NC 5/16 - PLATED	1
7	BLT0000038	ALTERNATOR COG BELT	1		WLK0000313	5/16" MEDIUM LOCKWASHER	1
8	SPC0028022	ALTERNATOR SPACER	1		SCC0020001	HEX HD CS NC 5/16 X 3/4 - PLATED	1
	NCE0000375	ESNA NUT 3/8-16 PLATED	1		NCE0000313	ESNA NUT NC 5/16 - PLATED	1
	SCC0030013	HEX HD CS NC 3/8 X 3-3/4 - PLATED	1	20	MNT0018742	SAE "AA" 2-BOLT PUMP MNT	1
9	BSH0121875	S1X2-3/16 BUSHING	1		WLK0000375	FLAT WASHER 3/8 USS	2
	WLK0000500	1/2" MEDIUM LOCKWASHER - PLATED	3		NCH0000375	HEX NUT NC 3/8	2
	SCC0050007	1/2-13 X 2-1/4 CAP SCREW-PLATED	3		SCC0030002	HEX HEAD CAP SCREW 3/8-16 X 1"	2
10	BSH0221875	1/2-13 X 2-1/4 CAP SCREW-PLATED	1	21	ZZ00000403	1/8 X 1/8 X 1 KEY	1
	SCS0000306	5/8 X 2 NC HT CS - PLATED	3	22	HOS0023494	TENSION PUMP SUCTION HOSE	1
	WLK0000375	3/8" MEDIUM LOCKWASHER - PLTD	3	23	HYD5515045	1/2 JIC X 5/8 O-RING 90* ELBOW	1
11	BLT0005950	BELT-COG (COG BELT)	6	24	PMP0022226	LEFT HAND PUMP	1
12	SHV0000080	FLYWHEEL & DRIVE SHEAVE	1		NCH0000375	HEX NUT NC 3/8 - PLATED	2
13	ZZ00000438	3/8 X 3/8 X 1 KEY	1		SCC0030002	HEX HEAD CS 3/8-16 X 1"GRADE 5	2
14	F000000072	KEY F/ FLYWHEEL & PINION SHAFT	1		WLK0000375	3/8" MEDIUM LOCKWASHER - PLTD	2
				25	HOS036690A	TENSION PUMP HOSE	1
				26	HYD5515043	1/2 JIC X 3/8 O-RING 90* ELBOW	1
				27	BKT0023423	ALTERNATOR BELT TENSION BRACKET	1
					SCC0020001	HEX HD CS NC 5/16 X 3/4 - PLATED	1
					NCE0000313	ESNA NUT NC 5/16 - PLATED	1

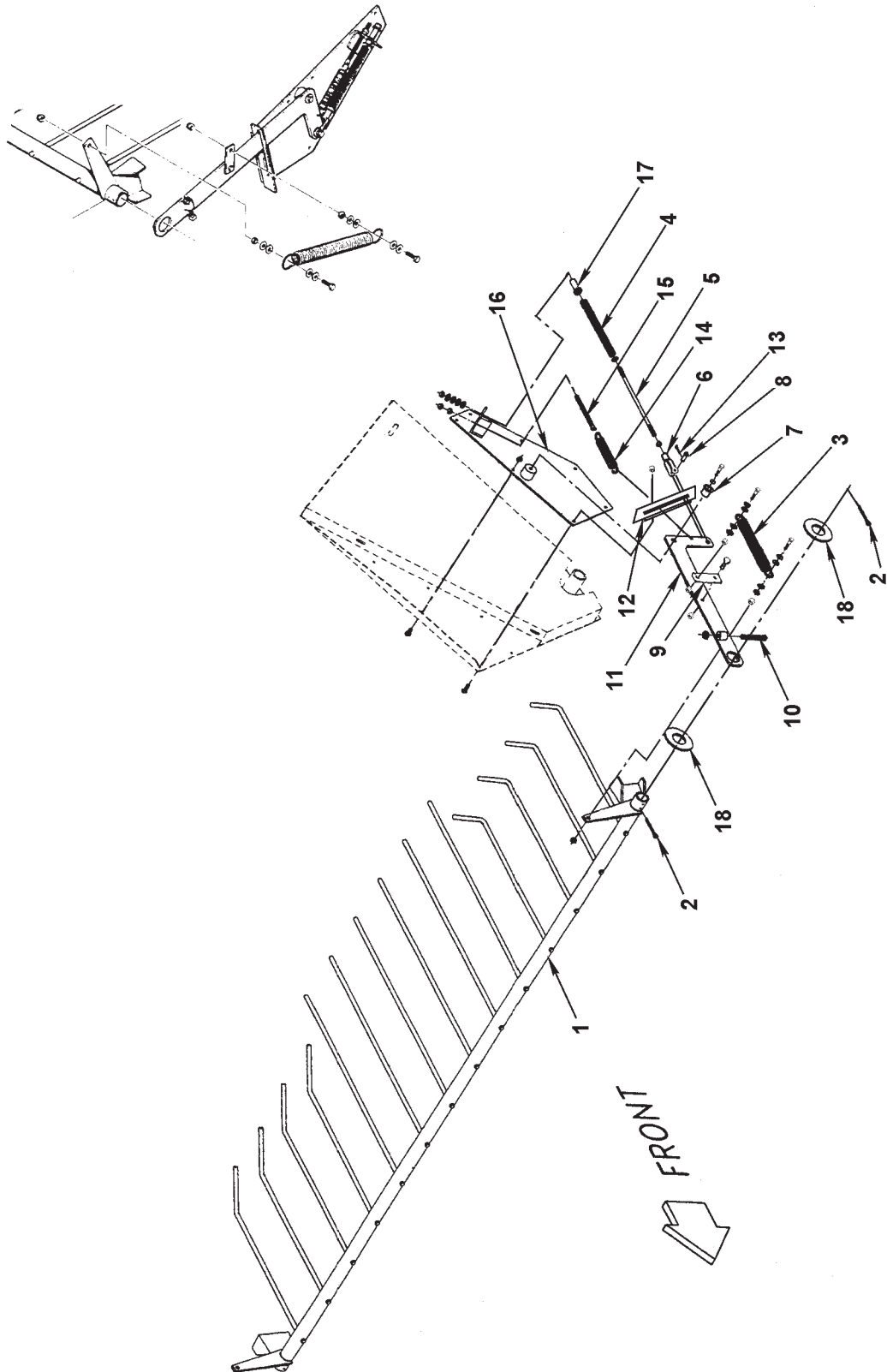
MECHANICAL DRIVE UNIT ASSEMBLY CONTINUED



MECHANICAL DRIVE UNIT ASSEMBLY CONTINUED

REF NO.	PART NO.	DESCRIPTION	QTY. USED	REF NO.	PART NO.	DESCRIPTION	QTY. USED
1	FRM037528E	FLYWHEEL MOUNT FRAME	1	11	SHD0023440	FLYWHEEL FRONT SHIELD BOTTOM	1
2	BKT0216260	L. H. FLYWHEEL FRAME MOUNT BKT	1		SMS0000184	5/16 X 3/4 NC WHIZ BOLT-PLATED	4
	BKT0216261	R. H. FLYWHEEL FRAME MOUNT BKT	1		NMS0000117	5/16" NC WHIZ NUT - PLATED	4
	WLK0000625	5/8" MEDIUM LOCKWASHER - PLTD	4	12	BKT0026243	ALTERNATOR SUPT BKT ASY	1
	NCH0000625	5/8" NC HEX NUT - PLATED	12		WLK0000375	3/8" MEDIUM LOCKWASHER - PLTD	4
	WCT0000625	5/8" FLATWASHER -PLATED	16		SCC0030002	3/8 X 1 NC HT CS - PLATED	4
	SCC0070006	5/8 X 2 NC HT CS - PLATED	8	13	MNT0023468	TENSION PUMP MOUNT ASSY	1
	SCC0070005	5/8 X 1-3/4 NC HT CS - PLATED	4		WLK0000375	3/8" MEDIUM LOCKWASHER - PLTD	4
3	BKT0233410	L. H. FRT SLEEVE CVR SUPT BKT	1		SCC0030002	3/8 X 1 NC HT CS - PLATED	4
	BKT0233411	R. H. FRT SLEEVE CVR SUPT BKT	1	14	SHD0026246	FLYWHEEL FRT SHD TOP ASSY	1
	WLK0000625	5/8" MEDIUM LOCKWASHER - PLTD	4	15	SHM037463A	FLYWHEEL BRG SHIM-10GA	A/R
	NCH0000625	5/8" NC HEX NUT - PLATED	4		SHM037359A	FLYWHEEL BRG SHIM-16GA	A/R
	SCC0070006	5/8 X 2 NC HT CS - PLATED	4		SHM037360A	FLYWHEEL BRG SHIM-30GA	A/R
4	SUP0021636	ANCHOR SUPPORT	2		SHM037460A	FLYWHEEL BRG SHIM-38GA	A/R
	SCC0070006	5/8 X 2 NC HT CS - PLATED	4	16	BRG0000021	2-3/16"PILLOW BLOCK BRG	2
	WLK0000625	5/8" MEDIUM LOCKWASHER - PLTD	4		WAS0000105	STRUCTURAL WASHER 5/8 -PLATED	4
	WCT0000625	5/8" FLATWASHER -PLATED	4		SCC0070008	HEX HD CS NC 5/8 X 2-1/2 - PLATED	4
	NCH0000625	5/8" NC HEX NUT - PLATED	4	17	ZZ 0000107	1/8 NPT 45* X 7/16 HEX ZERK	1
	WAS0000105	5/8 STRUCTURAL WASHER	4	18	900046	BALANCED FLYWHEEL	1
5	BKT0025876	FLYWHEEL MNT ANCHOR BKT	2	19	ZZ 0000105	1/8 NPT STR 5/16 HEX ZERK	2
	SCC0070005	5/8 X 1-3/4 NC HT CS - PLATED	4	20	CPL0018917	PMP DR. CPLG. HALF-BORED-WALDR	1
	SCC0070006	5/8 X 2 NC HT CS - PLATED	4		WAS0000103	1/2 HARDENED FLATWASHER - PLTD	4
	WLK0000625	5/8" MEDIUM LOCKWASHER - PLTD	4		WLK0000500	1/2" LOCKWASHER - PLATED	4
	WCT0000625	5/8" FLATWASHER -PLATED	4		SCC0050006	1/2 X 2 NC HT CS - PLATED	4
	NCH0000625	5/8" NC HEX NUT - PLATED	4	21	RNG0149396	RETAINING RING F/SLV0149918	2
6	ROD0015498	DRIVE BELT TAKE UP ROD	1	22	SEL0149223	GREASE SEAL F/SLV0149918	2
	WAS0000118	3/4 HARDENED FLATWASHER - PLTD	1	23	DPT0018751	PUMP PILOT ADAPTER	1
7	MNT0023278	DRV UNIT BELT TAKEUP	1	24	SLV0149918	SLEEVE	1
	NCH0000750	3/4" NC HEX NUT - PLATED	4	25	STS4375075	7/16 X 3/4 SOCKET SET SCREW	3
	WLK0000750	3/4" MEDIUM LOCKWASHER-PLATED	4	26	BSH0021617	BUSHING F/CPL21616	1
	SCC0080007	3/4 X 2-1/4 NC HT CS - PLATED	4	27	CPL0021616	PUMP DRIVE REAR COUPLING HALF	1
8	BLK0015661	BELT TAKE-UP TIGHTENER BLOCK	1	28	HSG0026245	ALTERNATOR HOUSING	1
	WAS0000118	3/4 HARDENED FLATWASHER - PLTD	1		NMS0000250	1/4" NC WHIZ NUT - PLATED	4
	WLK0000750	3/4" MEDIUM LOCKWASHER-PLATED	1		SMS0000173	1/4 X 1/2 NC WHIZ BOLT-PLATED	4
	SCC0080007	3/4 X 2-1/4 NC HT CS - PLATED	1	29	ZZ 0000107	1/8 NPT 45* X 7/16 HEX ZERK	2
9	BRG037677D	2-3/16"PILLOW BLOCK BEARING	2	30	ZZ 0000451	1/2 X 1/2 X 1-1/2 KEY	1
	WLK0000625	5/8" MEDIUM LOCKWASHER - PLTD	4	31	ZZ 0000104	1/8 NPT 90* X 7/16 HEX ZERK	2
	NCH0000625	5/8" NC HEX NUT - PLATED	4	32	STS3750375	3/8 X 3/8 SOCKET SET SCREW	2
	WAS0000105	5/8 STRUCTURAL WASHER	4	33	SQS5004000	1/2" X 4" SQUARE HD SET SCREW	4
	SCC0070008	5/8 X 2-1/2 NC HT CS - PLATED	4		NCJ0005000	JAM NUT NC 1/2	4
10	SHF0023255	PRIMARY DRIVE SHAFT	1				

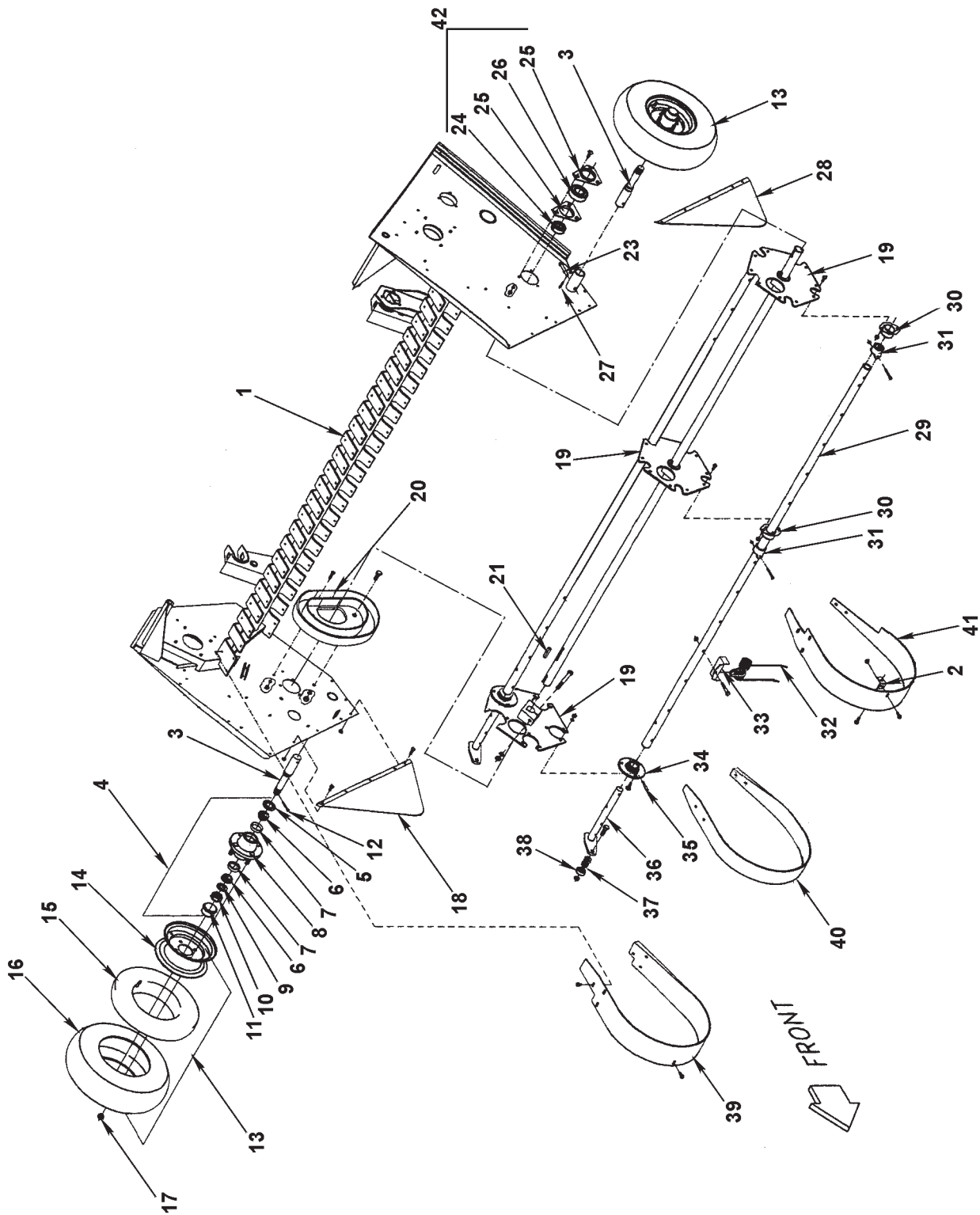
WIND GUARD ASSEMBLY



WIND GUARD ASSEMBLY

REF NO.	PART NO.	DESCRIPTION	QTY. USED	REF NO.	PART NO.	DESCRIPTION	QTY. USED
1	GRD0025282	WIND GRD 98-1/2" -F/93" STD PU	1	10	SQS5003000	1/2 X 3 NC SQ HD CS - PLATED	2
2	COT0000806	3/16 X 2-1/4 COTTER PIN	4		NCJ0000500	1/2" NC JAM NUT - PLATED	2
3	F 0001517	TRIP SPRING	2	11	LEV2527900	L.H. MNTD WINDGRD SPRING LEVER	1
	NCH0000375	3/8" NC HEX NUT - PLATED	4		LEV2527901	R.H. MNTD WINDGRD SPRING LEVER	1
	WCT0000375	3/8" FLATWASHER - PLATED	16	12	GUD2527800	L. H. WIND GUARD MOUNT GUIDE	1
	NCE0000375	3/8" NC ESNA NUT - PLATED	4		GUD2527801	R. H. WIND GUARD MOUNT GUIDE	1
	SCC0030004	3/8 X 1-1/2 NC HT CS - PLATED	4		NMS0000117	5/16" NC WHIZ NUT - PLATED	4
4	SPG0025309	WINDGUARD OVERTRAVEL SPRING	2		SBH0020002	5/16 X 1 NC BUTTON HEAD CS	4
	WCT0000375	3/8" FLATWASHER - PLATED	2	13	COT0000502	1/8 X 1 COTTER PIN	2
5	ROD0025329	P/U MNT WINDGRD SPG ADJUST ROD	2	14	SPG0010555	BRAKE ACTUATING CYLINDER SPRNG	2
	WCT0000375	3/8" FLATWASHER - PLATED	8	15	FT 0006205	ADJUSTING SCREW	2
	NFH0000375	3/8" NF HEX NUT - PLATED	2		NCH0000375	3/8" NC HEX NUT - PLATED	4
	NFE0000375	3/8"-24 FULL ESNA NUT-PLATED	2	16	MNT2527600	L.H. OPTIONAL MNTD WINDGRD MNT	1
6	06-125	3/8 CLEVIS	2		MNT2527601	R.H. OPTIONAL MNTD WINDGRD MNT	1
7	F 0000440	FERRULE	4		SBH0020001	5/16 X 3/4 NC BUTTON HEAD CS	10
	WLK0000375	3/8" MEDIUM LOCKWASHER - PLTD	2		NMS0000117	5/16" NC WHIZ NUT - PLATED	10
	SCC0030003	3/8 X 1-1/4 NC HT CS - PLATED	2	17	SPC0025340	MNTD WINDGRD SPG SPACER/SLIDER	2
8	06-126	3/8 CLEVIS PIN	2	18	BSH0505909	2-1/2 X 1-3/4 X 14 GA MACH BUSH	4
9	LNK0025281	WIND GUARD SPRING LINK	2				
	NCE0000375	3/8" NC ESNA NUT - PLATED	2				
	SCC0030002	3/8 X 1 NC HT CS - PLATED	2				

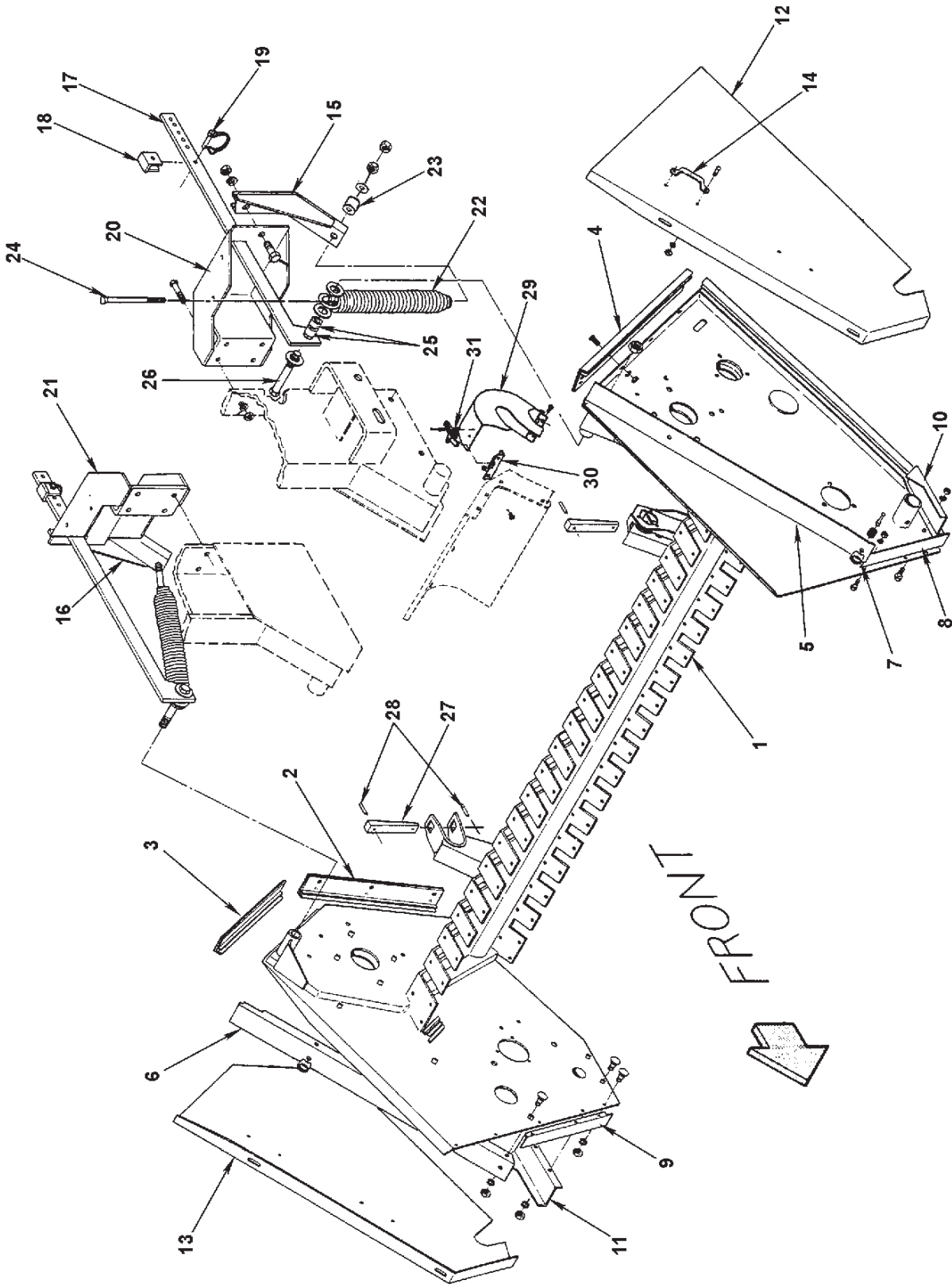
PICKUP REEL COMPONENTS ASSEMBLY



PICKUP REEL COMPONENTS ASSEMBLY

REF NO.	PART NO.	DESCRIPTION	QTY. USED	REF NO.	PART NO.	DESCRIPTION	QTY. USED
1	PCY0028026	P/U FRAME - 93"	1	21	F 0007904	3/8 X 3/8 X 2 KEY	3
2	PCY0017634	P/U STRIPPER MOUNT ANGLE	2	22	SHF0025191	P/U REEL SHAFT	1
	SMS0000184	5/16 X 3/4 NC WHIZ BOLT-PLATED	1	23	CLV0120014	3/8" X 2-1/2" CLEVIS - PLAIN	2
	NCH0000313	5/16" NC HEX NUT - PLATED	1	24	F 0008381	LOCKING COLLAR F/F8102	1
3	SPN0017647	1-5/16 P/U WHEEL SPN	2	25	F 0008383	FLANGETTE-NO ZERK F/F8102	4
4	HUB0000348	HUB W/BRGS & SEALS	2		CRB3751000	3/8 X 1 CARRIAGE BOLT	6
5	SEL0034823	SEAL F/HUB	2		WLK0000375	3/8" MEDIUM LOCKWASHER - PLTD	6
6	F 0001909	BEARING CONE	4		NCH0000375	3/8" NC HEX NUT - PLATED	6
7	F 0001654	OUTER BEARING CUP	4	26	F 0008380	BEARING & LOCK COLLAR	2
8	HUB000BT12	HUB ONLY	2	27	COT0000501	1/8 X 3/4 COTTER PIN	2
9	ZZ 0000219	1 X 2 X 14 GA MACHINE BUSHING	2	28	FEN1763200	L. H. PICKUP FENDER FLARE	1
10	NFC0010000	1" NF CASTLE NUT	2		SCC0020002	5/16 X 1 NC HT CS - PLATED	6
11	CAP0046749	CAP FOR HUB348	2		SCC0020001	5/16 X 3/4 NC HT CS - PLATED	4
12	COT0000502	1/8 X 1 COTTER PIN	2		NCH0000313	5/16" NC HEX NUT - PLATED	10
13	WHL0401530	WHL/TIR ASSY 4 X 8	2	29	BAR0025204	P/U TOOTH BAR PIPE-EXTE OPTION	5
14	WHL0412530	WHEEL-8 X 3.75(4 ON 4)P/U	2	30	HSN0017505	P/UP TOOTH BAR BRG HSG-ASSEMBL	10
15	TIR0199128	4.00 X 8 TUBE F/TIR4008	2	31	BRG0017508	NYLON TOOTH BAR BEARING	10
16	TIR0004008	TIRE F/1500 P/U(400X8 4 PLY)	2		SCC0010006	1/4 X 2 NC HT CS - PLATED	10
17	SMS0005393	LUG BOLT	8		NCE0000250	1/4" NC ESNA NUT - PLATED	10
18	FEN1763201	R. H. PICKUP FENDER FLARE	1	32	PCY0013464	PICKUP FINGER	65
	SCC0020002	5/16 X 1 NC HT CS - PLATED	6	33	MNT0013456	PICKUP TOOTH MOUNT	65
	SCC0020001	5/16 X 3/4 NC HT CS - PLATED	4		SFC0030007	3/8 X 2-1/4 NF HT CS - PLATED	65
	NCH0000313	5/16" NC HEX NUT - PLATED	10		NFX0000375	3/8" NF FLEX-LOCK NUT	65
19	PCY0023053	PICK UP REEL PLATE	3	34	BRG0001101	TOOTH BAR BEARING	5
	SCC0050011	1/2 X 3-1/4 NC HT CS - PLATED	3	35	ZZ 0000715	1/4 X 1-3/4 ROLL PIN	5
	NCH0000500	1/2" NC HEX NUT - PLATED	3	36	LEV0023055	TOOTH BAR CAM LEVER	5
	WLK0000500	1/2" LOCKWASHER - PLATED	3		SCC0800505	1/2-13 X 1-3/4"GRD 8 CS -PLTD	5
	SCC0020001	5/16 X 3/4 NC HT CS - PLATED	20		NCJ0000500	1/2" NC JAM NUT - PLATED	5
	NCH0000313	5/16" NC HEX NUT - PLATED	20		WAS0000104	1/2" STRUCTURAL WASHER	5
	CRB3751000	3/8 X 1 CARRIAGE BOLT	10	37	BSH0006231	CAM LEVER ROLLER BUSH 60"+70"	5
	WLK0000375	3/8" MEDIUM LOCKWASHER - PLTD	10	38	BRG0002029	CAM FOLLOWER BEARING 1/2"BORE	5
	NCH0000375	3/8" NC HEX NUT - PLATED	10	39	PCY0025861	P/U RIGHT HAND STRIPPER	1
20	CAM0017414	PICKUP REEL CAM	1		SMS0000198	5/16 X 1/2 NC WHIZ BOLT-PLATED	1 6
	SCC0050003	1/2 X 1-1/4 NC HT CS - PLATED	1		SMS0000184	5/16 X 3/4 NC WHIZ BOLT-PLATED	1
	SCC0000303	3/8-16 X 1-1/4" GRD 5 CAP SCRW	1	40	PCY0025860	P/U CENTER STRIPPER	25
	WLK0000375	3/8" MEDIUM LOCKWASHER - PLTD	1		SMS0000198	5/16 X 1/2 NC WHIZ BOLT-PLATED	1 100
	NCH0000375	3/8" NC HEX NUT - PLATED	1	41	PCY0025859	P/U LEFT HAND STRIPPER	1
	NCH0000500	1/2" NC HEX NUT - PLATED	1		SMS0000198	5/16 X 1/2 NC WHIZ BOLT-PLATED	1 5
	WLK0000500	1/2" LOCKWASHER - PLATED	71		SMS0000184	5/16 X 3/4 NC WHIZ BOLT-PLATED	1
				42	F000008102	BEARING ASSY F/PICKUP SHAFT	2

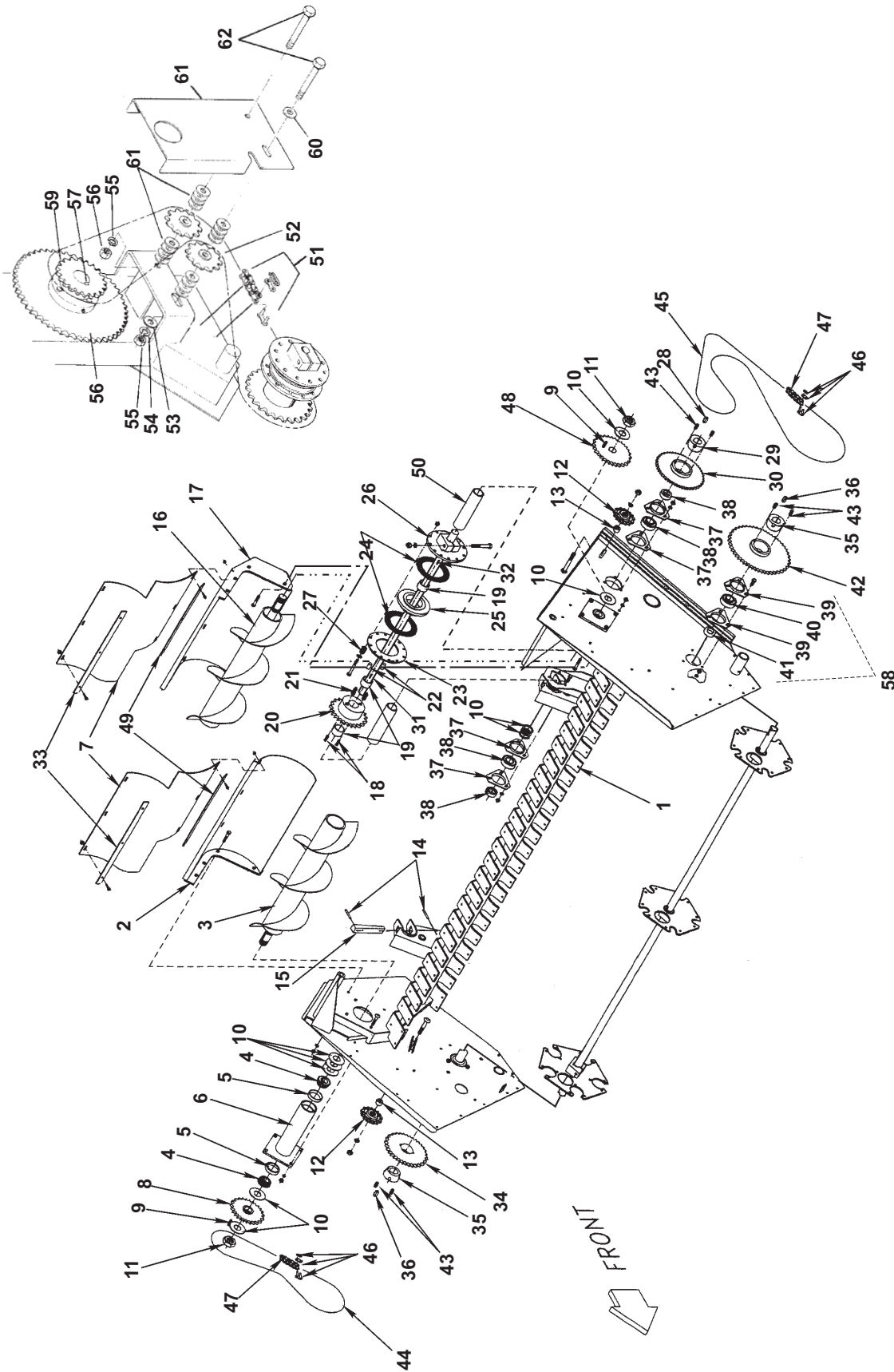
PICKUP SHIELDS AND MOUNTS ASSEMBLY



PICKUP SHIELDS AND MOUNTS ASSEMBLY

REF NO.	PART NO.	DESCRIPTION	QTY. USED	REF NO.	PART NO.	DESCRIPTION	QTY. USED
1	PCY0028026	P/U FRAME - 93"	1	15	BKT1616200	L. H. P/U LIFT SPRING BRACKET	1
2	GUD0018010	P/U SHIELD GUIDE ASSEMBLY	1		SCC0070003	5/8 X 1-1/4 NC HT CS - PLATED	1
	SCC0020001	5/16 X 3/4 NC HT CS - PLATED	3		WLK0000625	5/8" MEDIUM LOCKWASHER - PLTD	1
	NCH0000313	5/16" NC HEX NUT - PLATED	3		NCH0000625	5/8" NC HEX NUT - PLATED	1
	WLK0000313	5/16" MEDIUM LOCKWASHER - PLTD	3	16	BKT1616201	R. H. P/U LIFT SPRING BRACKET	1
3	GUD0018011	P/U SHIELD GUIDE ASSEMBLY	1		SCC0070003	5/8 X 1-1/4 NC HT CS - PLATED	1
	SCC0020001	5/16 X 3/4 NC HT CS - PLATED	2		WLK0000625	5/8" MEDIUM LOCKWASHER - PLTD	1
	NCH0000313	5/16" NC HEX NUT - PLATED	2		NCH0000625	5/8" NC HEX NUT - PLATED	1
	WLK0000313	5/16" MEDIUM LOCKWASHER - PLTD	2	17	ARM0015684	LIFT ARM F/PICKUP	2
4	GUD0018012	P/U SHIELD GUIDE ASSEMBLY	1	18	BKT0015687	P/UP LIFT STOP BRACKET	2
	SCC0020001	5/16 X 3/4 NC HT CS - PLATED	2	19	PIN0375125	3/8 X 1-1/4 SNAPPER PIN	2
	NCH0000313	5/16" NC HEX NUT - PLATED	2	20	BKT2350200	LH P/U LIFT SPRG ANCHOR BKT	1
	WLK0000313	5/16" MEDIUM LOCKWASHER - PLTD	2		SCC0030003	3/8 X 1-1/4 NC HT CS - PLATED	4
5	SHD2734400	LH P/U SIDE SHIELD SUPT.	1		WLK0000375	3/8" MEDIUM LOCKWASHER - PLTD	4
	CRB3130750	5/16X 3/4 CARRIAGE BOLT-PLTD	3		NCH0000375	3/8" NC HEX NUT - PLATED	4
	NCH0000313	5/16" NC HEX NUT - PLATED	3	21	BKT2350201	RH P/U LIFT SPRG ANCHOR BKT	1
	WLK0000313	5/16" MEDIUM LOCKWASHER - PLTD	3		SCC0030003	3/8 X 1-1/4 NC HT CS - PLATED	4
6	SHD2734401	RH P/U SIDE SHIELD SUPT.	1		WLK0000375	3/8" MEDIUM LOCKWASHER - PLTD	4
	CRB3130750	5/16X 3/4 CARRIAGE BOLT-PLTD	3		NCH0000375	3/8" NC HEX NUT - PLATED	4
	NCH0000313	5/16" NC HEX NUT - PLATED	3	22	SPG0017462	PICKUP LIFT SPRING	2
	WLK0000313	5/16" MEDIUM LOCKWASHER - PLTD	3		NCH0000625	5/8" NC HEX NUT - PLATED	4
7	FST0010401	MED DUTY FOLDING HANDLE FASTNR	4		WCT0000625	5/8" FLATWASHER -PLATED	8
8	SUP1763500	LH PICKUP SHIELD SUPPORT	1	23	BSH0501129	BUSHING	2
	SCC0020002	5/16 X 1 NC HT CS - PLATED	3	24	ANC0016029	PICKUP LIFT SPRING ANCHOR	2
	NCH0000313	5/16" NC HEX NUT - PLATED	3	25	SPC0016659	P/UP LIFT SPRING ANCHOR SPACER	4
	WLK0000313	5/16" MEDIUM LOCKWASHER - PLTD	3	26	ROD0025263	P/U BALANCE SPG ROD F/EXTEND	2
9	SUP1763501	RH PICKUP SHIELD SUPPORT	1		NCE0000625	5/8" NC ESNA NUT - PLATED	2
	SCC0020002	5/16 X 1 NC HT CS - PLATED	3	27	PIN0015507	PICKUP PIVOT PIN	2
	NCH0000313	5/16" NC HEX NUT - PLATED	3	28	ZZ 0000705	1/4 X 2 ROLL PIN	4
	WLK0000313	5/16" MEDIUM LOCKWASHER - PLTD	3	29	SHD0502998	SHIELD - PICKUP CLUTCH	1
10	SHD5076881	LH P/U BACKING SHIELD	1		SMS0000184	5/16 X 3/4 NC WHIZ BOLT	2
	SCC0020001	5/16 X 3/4 NC HT CS - PLATED	2		NCH0000313	5/16" NC HEX NUT - PLATED	2
	NCH0000313	5/16" NC HEX NUT - PLATED	2		WLK0000313	5/16" MEDIUM LOCKWASHER - PLTD	2
	WLK0000313	5/16" MEDIUM LOCKWASHER - PLTD	2	30	BKT0502999	BRACKET-PICKUP CLUTCH SHIELD	1
11	SHD5076890	RH P/U BACKING SHIELD	1		CRB3130750	5/16X 3/4 CARRIAGE BOLT-PLTD	2
	SCC0020001	5/16 X 3/4 NC HT CS - PLATED	2		NCH0000313	5/16" NC HEX NUT - PLATED	2
	NCH0000313	5/16" NC HEX NUT - PLATED	2	31	CLP0000130	HOOK-TYPE FASTENER	1
	WLK0000313	5/16" MEDIUM LOCKWASHER - PLTD	2		RIV0000604	3/16 X 1/4 SS GRIP RIVET	2
12	SHD0027343	LEFT P/U SHIELD	1				
13	SHD0027342	RIGHT P/U SHIELD	1				
14	HAN0000150	PLATED DOOR HANDLE	4				
	SMF1032500	10-32 X 1/2 FH MACHINE SCREW	8				
	WLK0000100	#10 LOCKWASHER - PLATED	8				
	NFH0001032	10-32 NF HEX NUT - PLATED	8				

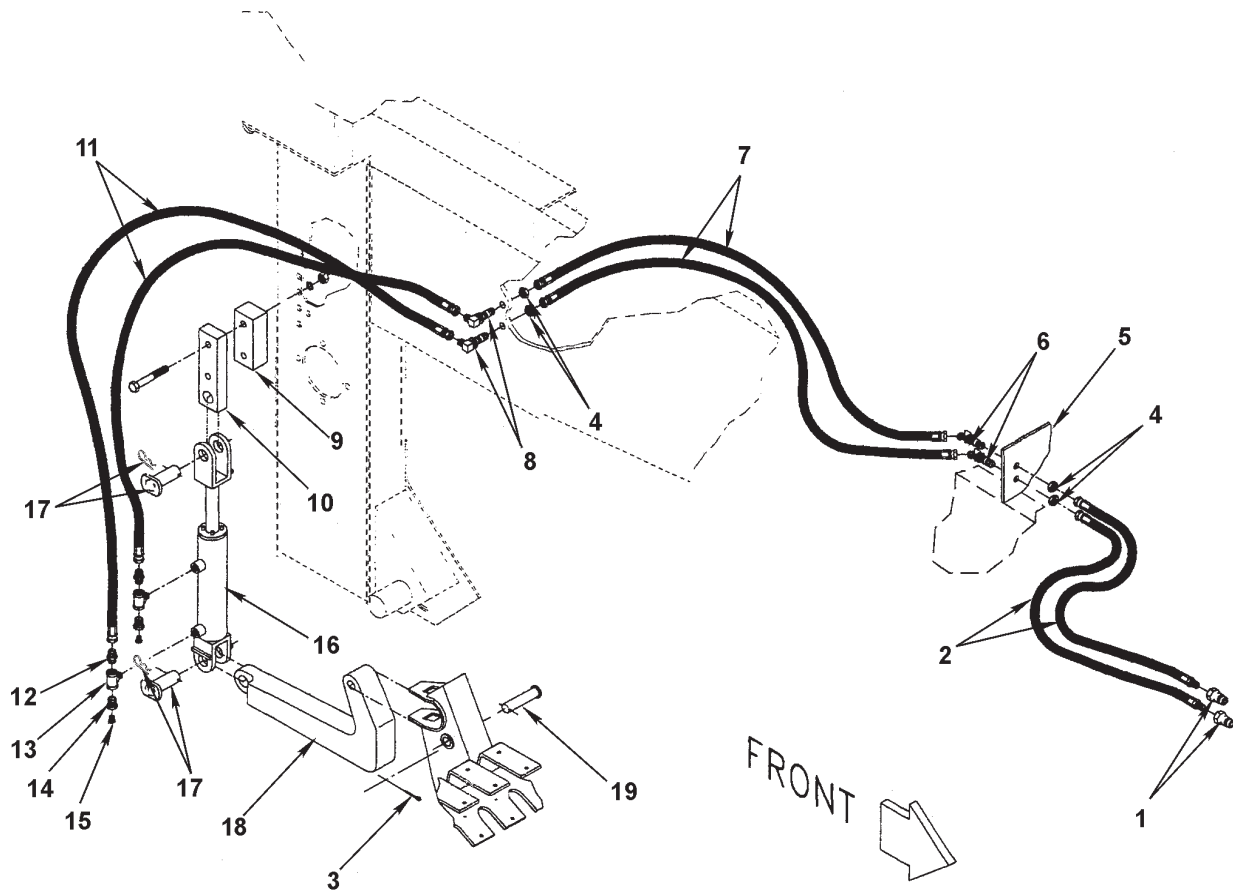
PICKUP DRIVE COMPONENTS ASSEMBLY



PICKUP DRIVE COMPONENTS ASSEMBLY

REF NO.	PART NO.	DESCRIPTION	QTY. USED	REF NO.	PART NO.	DESCRIPTION	QTY. USED
1	PCY0028026	P/U FRAME - 93"	1		NMS0000250	1/4" NC WHIZ NUT - PLATED	6
2	AUG0026179	RH P/U AUGER TROUGH -	1		SMT0001001	1/4 X 3/4 TH MACH SCREW-PLT	6
	CRB3752000	3/8 X 2 CARRIAGE BOLT	4	34	SPK0000536	SPROCKET	1
	WLK0000375	3/8" MEDIUM LOCKWASHER - PLTD	4	35	BSH0001021	1-3/8 BORE X 3/8 KEYWAY BUSHG	1
	NCH0000375	3/8" NC HEX NUT - PLATED	4	36	ZZ 0000438	3/8 X 3/8 X 1 KEY	1
3	AUG0025184	P/U RHT AUGER ASSY-EXT OPTION	1	37	BRG0000063	FLANGETTE	4
4	BRG0067000	BEARING COMPLETE	2		SCC0030002	3/8 X 1 NC HT CS - PLATED	3
5	F 0008011	OUTER WHEEL BEARING CUP	2		SCC0030006	3/8 X 2 NC HT CS - PLATED	3
6	HSN0027989	EXTEND P/U AUGER BRG HSN-	2		WLK0000375	3/8" MEDIUM LOCKWASHER - PLTD	6
	SMS0000305	1/4 X 1 NC WHIZ BOLT-PLATED	8		NCH0000375	3/8" NC HEX NUT - PLATED	6
	WLK0000375	3/8" MEDIUM LOCKWASHER - PLTD	8	38	BRG0000103	1-1/4"(2)BOLT BEARING+COLLAR	2
	NCH0000375	3/8" NC HEX NUT - PLATED	1	39	F 0008383	FLANGETTE-NO ZERK F/F8102	2
7	BLT0026167	TROUGH HAY DEFLECTOR BELT	2		CRB3750100	3/8 X 1 CARRIAGE BOLT-PLTD	3
8	SPK0005023	SPK 1-1/4BORE 1/4	1		WLK0000375	3/8" MEDIUM LOCKWASHER - PLTD	3
9	ZZ 0000406	1/4" X 1/4" X 1" KEY	2		NCH0000375	3/8" NC HEX NUT - PLATED	3
10	WAS0015783	HARDENED ZZ228 MACHINE BUSHING	9	40	F 0008380	BEARING & LOCK COLLAR F/F8102	1
11	NEJ0001250	1-1/4" NF ESNA JAM NUT - PLTD	2	41	F 0008381	LOCK COLLAR	1
12	SPK0002416	SPROCKET IDLER	2	42	SPK0000554	SPROCKET -	1
	CRB5003750	1/2 X 3-3/4 CARRIAGE BOLT	1	43	SCO0000403	7/16 X 7/8 NC FH SOCKET CS	2
	CRB5003000	1/2 X 3 CARRIAGE BOLT	1	44	CHN0005087	CHAIN	
	WLK0000500	1/2" LOCKWASHER - PLATED	2	45	CHN00050177	CHAIN	1
	NCH0000500	1/2" NC HEX NUT - PLATED	2	46	F 0000025	CONNECTING LINK	2
13	SPC0017669	P/UP IDLER SPROCKET SPACER	2	47	F 0000123	OFFSET LINK	2
14	ZZ 0000705	1/4 X 2 ROLL PIN	2	48	SPK0005035	SPK 1-1/4BORE 1/4	1
15	PIN0015507	PICKUP PIVOT PIN	1		ZZ 0000406	1/4" X 1/4" X 1" KEY	1
16	AUG0025183	P/U LEFT AUGER ASSY-EXTEN	1	49	BAR0026170	LOWER DEFLECTOR BLT RETAIN BAR	2
17	AUG0026178	LH P/U AUGER TROUGH 93"-	1		NMS0000250	1/4" NC WHIZ NUT - PLATED	6
	CRB3752000	3/8 X 2 CARRIAGE BOLT	4		SMT0001001	1/4 X 3/4 TH MACH SCREW-PLT	6
	WLK0000375	3/8" MEDIUM LOCKWASHER - PLTD	4	50	GRD0506144	PICKUP DRIVE SHAFT GUARD	2
	NCH0000375	3/8" NC HEX NUT - PLATED	4	51	F000000760	CONNECTING LINK- RC60	1
18	HYD3169030	3/8 SOCKET HD STEEL PIPE PLUG	2	52	SPK011536S	IDLER SPROCKET	2
19	BRG0020016	P/U DRIVE SHAFT BUSHING	3	53	WCT0000625	5/8" FLATWASHER	24
20	SPK0017769	P/UP DRIVE SPROCKET	1	54	WLK0000625	5/8" MED LOCKWASHER	2
21	F 0001790	COMPRESSION SPRING F/PTO CLTCH	2	55	NCH0000625	5/8" NC HEX NUT	2
22	F 0001791	CLUTCH PIN	2	56	SPK0080360	SPROCKET	1
23	CLH0017849	P/U CLUTCH DISC -	1	57	SCO0000403	7/16" X 7/8" NC FH SOCKET CS	6
24	F 0001793	FRICTION DISC F/PTO CLUTCH	4	58	F000008102	BEARING ASSY F/PICKUP SHAFT	1
25	CLH0017767	PICKUP DRIVE CLUTCH	1	59	SPK0602202	1592 PICKUP DRIVE SPROCKET	1
26	CLH0017773	P/UP CLUTCH ADAPTER	1	60	WCT0000625	5/8" FLATWASHER	24
	SCC0050011	1/2 X 3-1/4 NC HT CS - PLATED	1	61	GRD0505568	PICKUP DRIVE CHAIN GUARD	1
	WLK0000500	1/2" LOCKWASHER - PLATED	1	62	SCC0070013	DUP HEX HD CS NC 5/8 X 3-3/4	2
	NCH0000500	1/2" NC HEX NUT - PLATED	1				
27	F 0001797	CLUTCH PLT COMPRESSION SPRING	2				
	SCC0030011	3/8 X 3-1/4 NC HT CS - PLATED	2				
	WCT0000375	3/8" FLATWASHER - PLATED	2				
	NCE0000375	3/8" NC ESNA NUT - PLATED	2				
28	ZZ 0000406	1/4" X 1/4" X 1" KEY	1				
29	BSH1252012	BUSHING 1-1/4"BORE	1				
30	SPK0005041	SPROCKET TAPER LOCK	1				
31	SHF0025234	93" PICKUP DRIVE SHAFT	1				
32	ZZ 0000454	1/4 X 1/4 X 2 KEY	2				
33	BAR0026169	UPPER DEFLECTOR BLT RETAIN BAR	2				

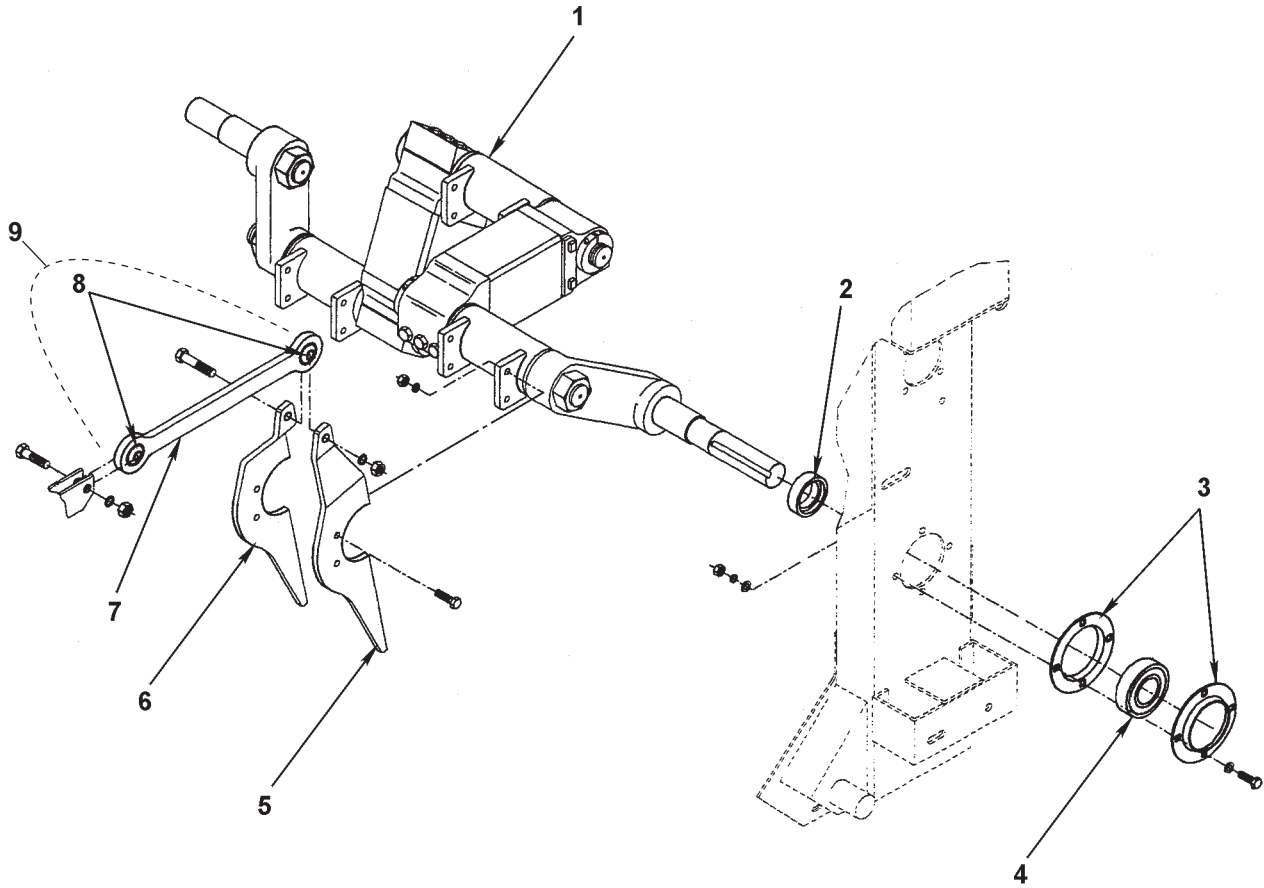
HYDRAULIC PICKUP LIFT ASSEMBLY



HYDRAULIC PICKUP LIFT ASSEMBLY

REF NO.	PART NO.	DESCRIPTION	QTY. USED
1	CPL0080104	1/2" HYDRAULIC QUICK COUPLER	2
2	HOS0016658	HOSE-PICKUP LIFT SUPPLY	2
3	COT0000503	1/8 X 1-1/4 COTTER PIN	1
4	HYD5924030	3/8 BULKHEAD NUT	4
5	SHD0023442	SHEAVE FRONT LOWER SHIELD	1
6	HYD5375030	3/8 JIC 45° BLKHD UNION ELBOW	2
7	HOS0024293	LONG P/U LIFT HSE	2
8	HYD5525030	3/8 JIC X 90° BLKHD UNION ELB	2
9	SPC0024097	P/U LIFT CYL MNT SPACER	1
10	MNT0024096	P/U LIFT CYL MNT-1592	1
	NCH0000500	1/2" NC HEX NUT - PLATED	2
	SCC0050012	1/2 X 3-1/2 NC HT CS - PLATED	2
	WLK0000500	1/2" LOCKWASHER - PLATED	2
11	HOS0020760	PICKUP LIFT CYLINDER HOSE	2
12	HYD5205033	3/8 JIC X 3/8 NPT MALE CONN	2
13	HYD3609030	3/8 NPT STEEL MALE BRANCH TEE	2
14	HYD3109031	3/8 X 1/8 STEEL PIPE BUSHING	2
15	HYD0000705	1/8 NPT MULTI-PURPOSE AIR VENT	2
16	CYL0000205	P/U LIFT CYL F/1500 -	1
17	HYP000FA2P	CLEVIS PIN FOR CYL205	2
18	ARM0027984	P/U LIFT ARM ASSY	1
19	CLV0120045	3/4" X 3-3/4" CLEVIS - PLAIN	1

FEEDER CRANK AND TINES ASSEMBLY

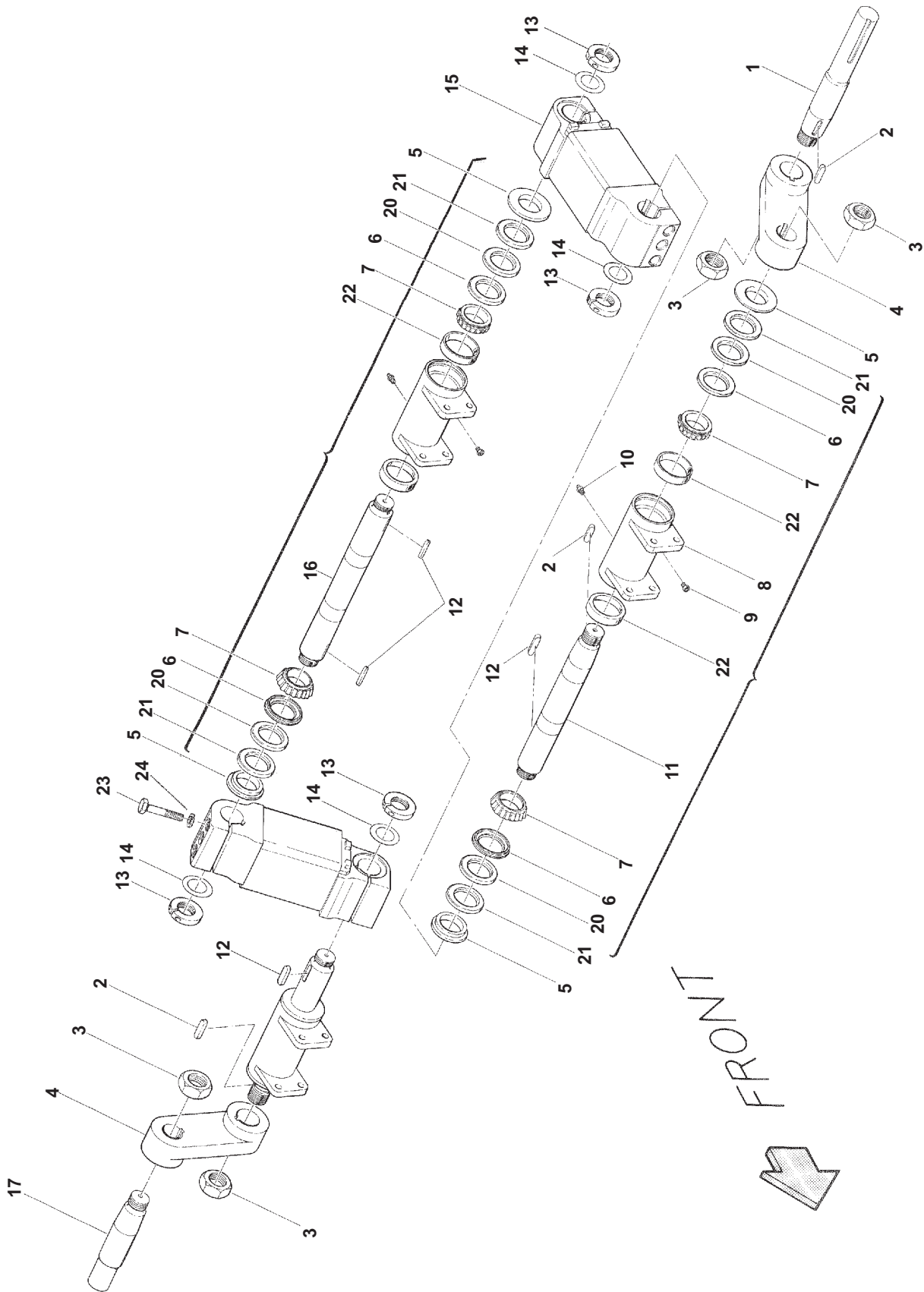


FRONT

FEEDER CRANK AND TINES ASSEMBLY

REF NO.	PART NO.	DESCRIPTION	QTY. USED
1	SHF0023127	FEEDER CRANK SHAFT ASSEMBLY	1
2	BRG0002002	LOCK COLLAR	2
3	BRG0002001	BEARING STAMPING F/BRG2000	4
	WAS0000104	1/2 STRUCTURAL WASHER	16
	SFC0080504	1/2 X 1-1/2 NF GR 8 CS -PLATED	8
	NFH0080500	1/2"-20 GRADE 8 HEX NUT	8
4	BRG0002000	1ST FEEDER 1592 CRANK BEARING	2
5	TIN0231340	L. H. FEED CRANK TINE	3
	WLK0000500	1/2" LOCKWASHER - PLATED	6
	NFH0080500	1/2"-20 GRADE 8 HEX NUT	6
	SFC0080500	1/2 X 1-3/4 NF GR 8 CS -PLATED	6
6	TIN0231341	R. H. FEED CRANK TINE	3
	WLK0000500	1/2" LOCKWASHER - PLATED	6
	NFH0080500	1/2"-20 GRADE 8 HEX NUT	6
	SFC0080500	1/2 X 1-3/4 NF GR 8 CS -PLATED	6
7	LNK0023133	FEEDER TINE LINK	3
	SCC0070007	5/8 X 2-1/4 NC HT CS - PLATED	3
	SCC0070010	5/8 X 3 NC HT CS - PLATED	3
	WLK0000625	5/8" LOCKWASHER - PLATED	6
	NCH0000625	5/8" NC HEX NUT - PLATED	6
8	BRG0106250	1ST FEEDER TINE LINK BRG	6
9	LNK0231330	FEEDER TINE LINK ASSY	1

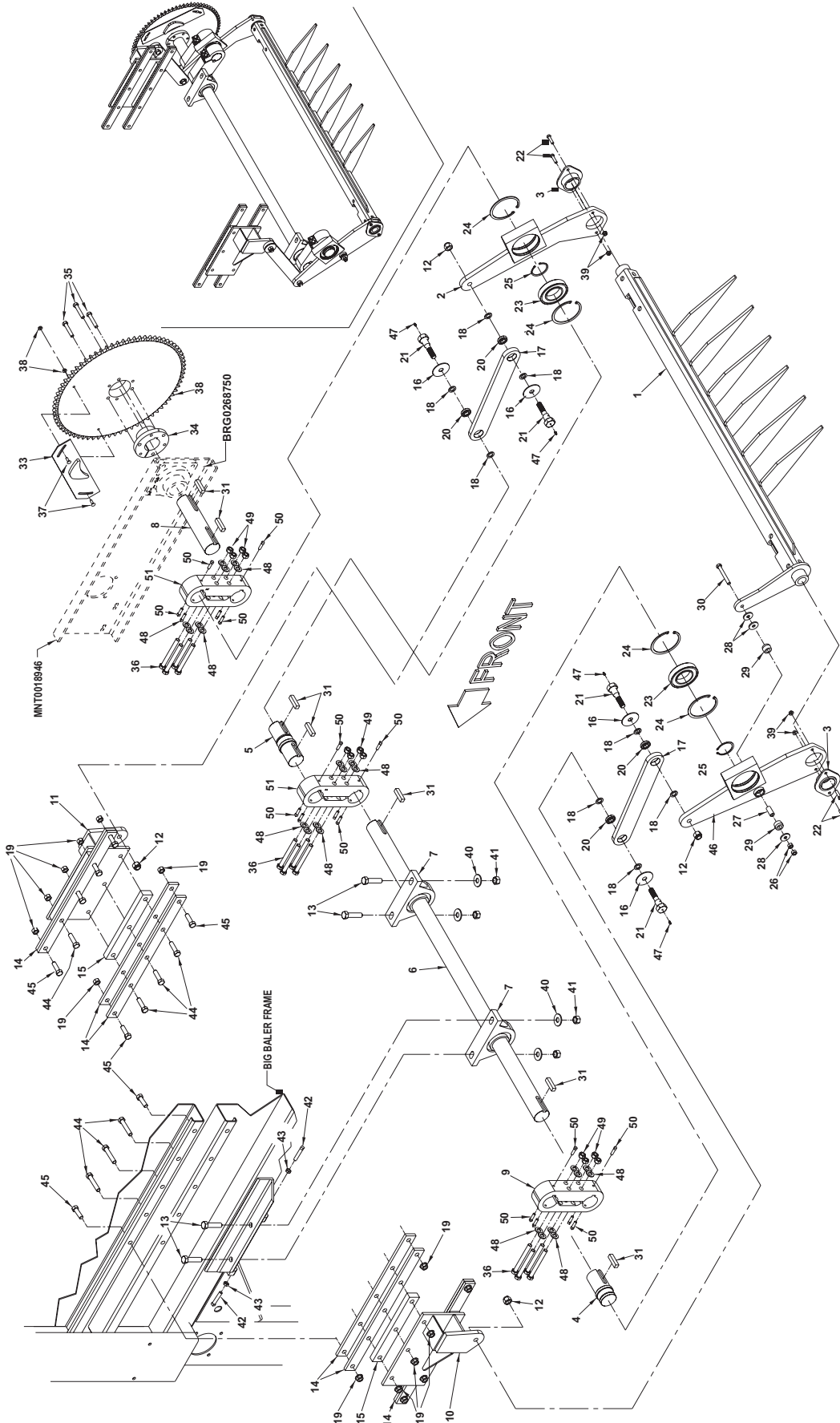
FEEDER CRANK ASSEMBLY



FEEDER CRANK ASSEMBLY

REF NO.	PART NO.	DESCRIPTION	QTY. USED
1	SHF0023130	LEFT BEARING SHAFT	1
2	ZZ 0000453	1/2 X 1/2 X 1 KEY	3
3	NMS0023666	1-3/4-12 NF JAM NUT PLTD	4
4	ARM0023120	FEEDER CRANK ARM	2
5	RNG0023161	THRUST RING	6
6	KITV507949	BEARING SEAL	6
7	BRG0507949	BRG-TAPERED ROLLER	6
8	HSN0023116	BEARING HOUSING	3
9	LUB0047200	1/8" STRAIGHT RELIEF FITTING	3
10	ZZ 0000103	1/8 NPT STR 7/16 HEX ZERK	3
11	SHF0023129	CRANK SHAFT	2
12	ZZ 0000451	1/2 X 1/2 X 1-1/2 KEY	4
13	LOK0017500	1-3/4 LOCK COLLAR	4
14	ZZ 0000203	1-3/4 X 18 GA MACHINE BUSHING	A/R
15	ARM0023168	FEEDER CRANK ARM	2
	WLK0000750	3/4 LOCK WASHER PLTD	12
	SCC0000812	3/4 X 3-1/2 NC HT CAP SCREW	12
16	SHF0023128	CRANK SHAFT	1
17	SHF0023131	RIGHT BEARING SHAFT	1
18	SHF0023203	SHAFT ASSY DETAIL(INC. 5-10 & 16)	1
19	SHF0023204	SHAFT ASSY DETAIL(INC. 5-11)	2
20	SPC0034397	FEEDER BEARING SEAL SPACER	6
21	FLT0034591	FEEDER BEARING SEAL FELT	6
22	BRG0507910	BEARING CUP-	6
23	SCC0000812	HEX HD CS NC 3/4 X 3-1/2	12
24	WLK0000750	LOCKWASHER MEDIUM 3/4"-PLATED	12

FEED FORK ASSEMBLY

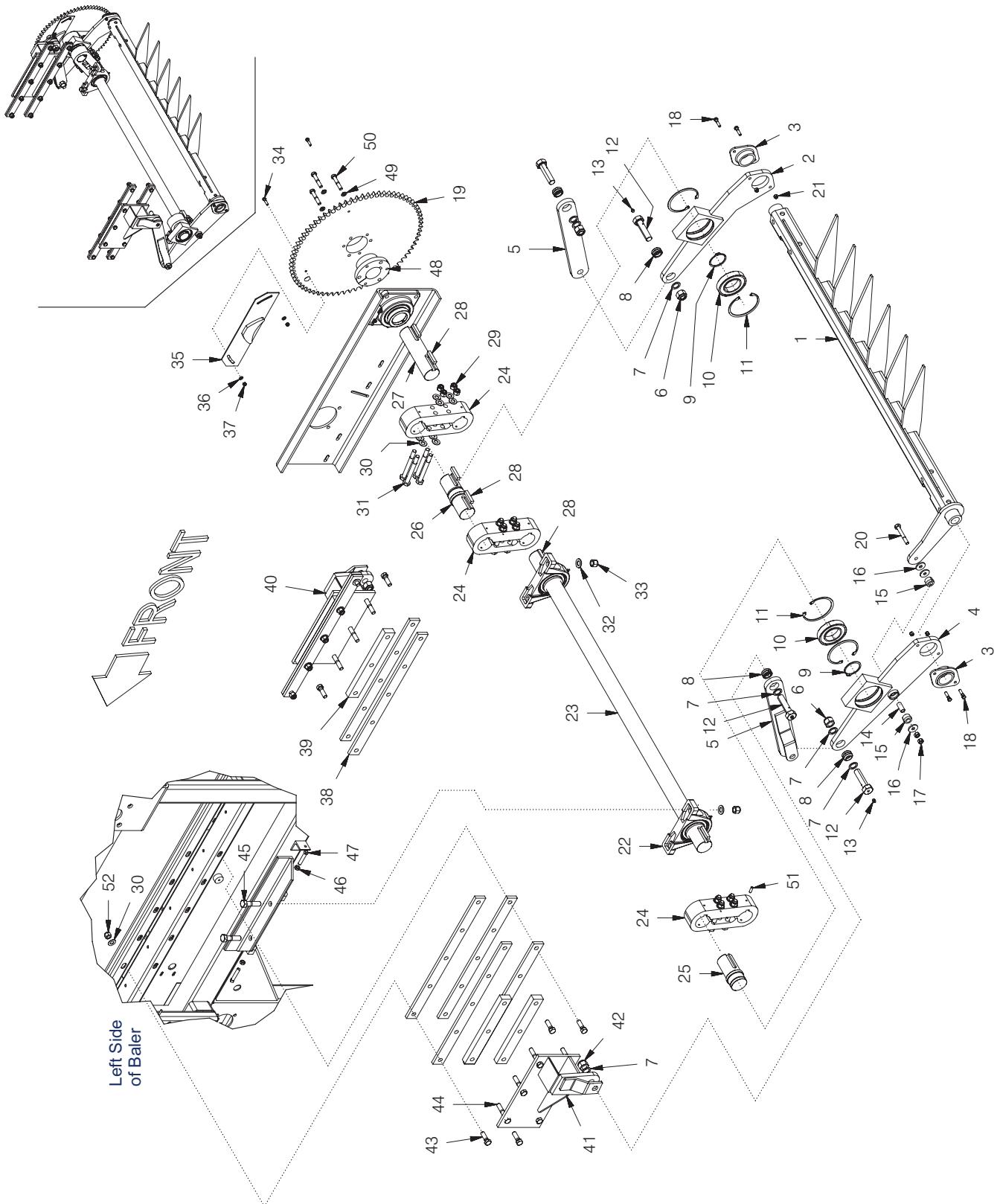


FEED FORK ASSEMBLY

First used on S/N Freeman S/N 616

REF NO.	PART NO.	DESCRIPTION	QTY. USED	REF NO.	PART NO.	DESCRIPTION	QTY. USED
1	FRK0035386	FEED FORK S/N 616+	1	28	WAS0020049	WASHER FOR RUBBER BUSHING	3
2	ARM0035388	FEED FORK ARM - 1592	1	29	BSH0001026	SHOCK ABSORBER BUSHING	2
3	BRG036008B	BEARING, FEED FORK FLAT	2	30	SFC0080513	GRD 8 HEX CAP SCREW 1/2-20 X 3-3/4"	1
4	SHF0035370	LEFT FEED FORK CRANK SHAFT + 616	1	31	ZZ00000456	KEY STOCK; .625 SQ X 2.5	7
5	SHF0035371	RIGHT FEED FORK CRANK SHAFT	1	32	SPK0008072	SPROCKET 80E72 MARTIN	1
6	SHF0035372	MAIN FEEDFORK SHAFT	1	33	CAM0013897	FEEDER SWITCH CAM	1
7	BRG0268250	2-11/16" PILLLOW BLOCK BEARING	2	34	BSH0026875	BUSHING F/1592 DRIVE SPROCKET	1
8	SHF036496D	SHAFT, DRIVE; C; 2.688 DIA X 10	1	35	R13811080	CAPSCREW; 1/2 NC X 2 3/4 GR8 HX ZY	3
9	CRA036495E	PL, CRANK; D; 2.5 PL X 4.88 X 12.5	1	36	027-0064	CAPSCREW; 3/4 NF X 6 GR8 HX ZY	12
10	ANC036000E	LEFT FEED FORK LINK ANCHOR	1	37	CRB3131000	5/16 X 1 CARRIAGE BOLT	2
11	ANC036001E	RIGHT FEED FORK LINK ANCHOR	1	38	00273802	NUT, SERRATED; 5/16 NC GR5	2
12	224194	NUT, ESNA; 3/4 NC GR8 HX ZC	4	39	09411507	NUT, SERRATED; 3/8 NC GR5	4
13	R13811150	CAPSCREW; 3/4 NC X 3 GR8 HX ZY	4	40	235546	WASHER, HARD; 3/4 ID ZC	4
14	SPC0023264	BAR, SPACER; B; 1 X 2FB X 15	4	41	235208	NUT, HEX; 3/4 NC GR8 ZC	4
15	SPC0023265	BAR, SPACER; B; .5 X 2FB X 28	8	42	SQS5002500	SETSCREW, SQ HEAD 1/2-13 X 2-1/2	4
16	235544	WASHER, HARD; 1 ID ZC	4	43	234218	NUT, JAM; 1/2 NC GR8 ZC	4
17	LNK036011B	BAR, LINK; B; .75 X 3FB X 21	2	44	SCC0070012	HEX HD CS NC 5/8 X 3-1/2	12
18	WAS0025693	WASHER	8	45	235590	CAPSCREW; 5/8 NC X 2 GR8 HX ZC	8
19	00273801	NUT, SERRATED; 5/8 NC GR5	20	46	ARM036131E	LEFT FEED FORK ARM- 1592 S/N 616+	1
20	BRG0001016	NON SEALED-BEARING	4	47	11079	FITTING, LUBE	4
21	LNK036291B	PIN, LINK; B	4	48	R13811435	WASHER, HARD; 5/8 (.720 ID) ZY	24
22	BRG0268250	CAPSCREW; 3/8 NC X 1 1/2 GR8 HX ZY	4	49	217847	NUT, HEX; 5/8 NF GR8 ZY	12
23	BRG0000008	FEED FORK ARM BEARING - 1592	2	50	SQS3751250	3/8" X 1-1/4" SQ HD SET SCREW	18
24	204770	RING, SNAP	4	51	CRA036651D	MATCHED FEEDFORK CRANK PAIR	1
25	RNG5100275	SNAP RING, EXTERNAL	2				
26	R13812641	NUT, HEX; 1/2 NF GR8 ZY	2				
27	SLV0018935	SLEEVE; A; .75 OD X 1.625	1				

FEED FORK ASSEMBLY

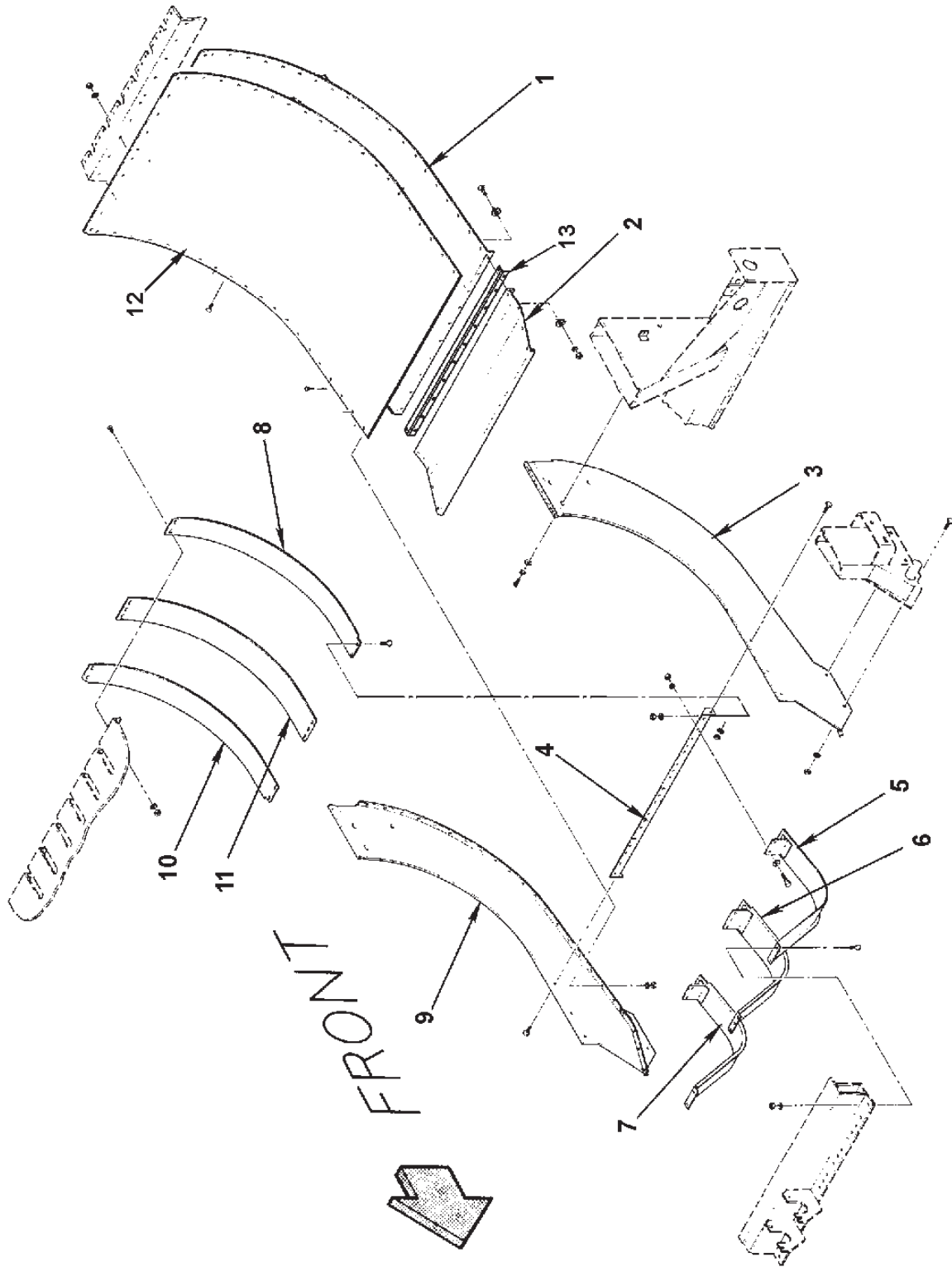


FEED FORK ASSEMBLY

First used on S/N ASC1592-003

REF NO.	PART NO.	DESCRIPTION	QTY. USED	REF NO.	PART NO.	DESCRIPTION	QTY. USED
1	FRK0035386	FEED FORK S/N 616+	1	28	ZZ00000456	KEY STOCK	6
2	900380	ARM WLDMT,RH	1	29	R13803604	NUT, LOCK; 5/8 NF	12
3	BRG036008B	BEARING, FEED FORK FLAT	2	30	R13806986	WASHER, FLAT; 5/8 (.686 ID) ZY	16
4	900381	ARM WLDMT,LH	1	31	SFC8625600	CAPSCREW; 5/8 NF X 6	12
5	900390	LINK WLDMT FEED LOCATOR	2	32	R13811457	WASHER, FLAT; 3/4	4
6	SHF0035372	MAIN FEEDFORK SHAFT	1	33	R13811196	NUT, LOCK; 3/4 NC	4
7	WAS0025693	FEEDER LINK BOLT WASHER	8	34	R13811015	CAPSCREW; 5/16 NC	2
8	BRG0001016	NON SEALED-BEARING	4	35	SCC0050009	HEX HD CS NC 1/2 X 2-3/4	3
9	RNG5100275	SNAP RING, EXTERNAL	2	36	R13811445	WASHER, FLAT; 5/16	2
10	BRG0000008	FEED FORK ARM BEARING	2	37	R13811190	NUT, LOCK; 5/16 NC	2
11	204770	RING, SNAP	4	38	SPC0023265	BAR,SPACER A	4
12	LNK0025692	FEEDFORK LINK PIN	4	39	SPC0023264	BAR,SPACER B	4
13	11079	FITTING, LUBE	4	40	900398	BASE WLDMT,LH	1
14	SLV0018935	SHOCK BUSHING BOLT SLEEVE	1	41	900399	BASE WLDMT,RH	1
15	BSH0001026	SHOCK ABSORBER BUSHING- 3/4"ID	2	42	R13803587	NUT, LOCK; 1 NC	4
16	WAS0020049	WASHER FOR RUBBER BUSHING	3	43	235590	CAPSCREW; 5/8 NC X 2	8
17	R13812641	NUT, HEX; 1/2	2	44	241051	HEX HD CS NC 5/8 X 3-1/2	12
18	R13811037	CAPSCREW; 3/8 NC X 1 1/2	4	45	R13811150	CAPSCREW; 3/4 NC X 3	4
19	SPK0028041	FEED FORK SPROCKET-A/93	1	46	234218	NUT, JAM; 1/2 NC	4
20	SFC0080513	GRD 8 HEX CAP SCREW 1/2-20 X 3-3/4	1	47	SQS5002500	SETSCREW,SQ HEAD 1/2-13 X 2-1/2	4
21	R13811191	NUT, LOCK; 3/8 NC	4	48	BSH0026875	BUSHING F/1592 DRIVE SPROCKET	1
22	BRG0268250	2-11/16" PILLOW BLOCK BEARING	2	49	234665	WASHER, LOCK; 1/2	3
23	SHF0035372	SHAFT	1	50	R13811080	CAPSCREW; 1/2 NC X 2 3/4	3
24	CRA036495E	PL,CRANK	3	51	SQS3751250	3/8" X 1-1/4" SQ HD SET SCREW	18
25	SHF0035370	LEFT FEED FORK CRANK SHAFT	1	52	235591	NUT, HEX; 5/8 NC	20
26	SHF0035371	RIGHT FEED FORK CRANK SHAFT	2				
27	SHF036496D	SHAFT,DRIVE;	1				

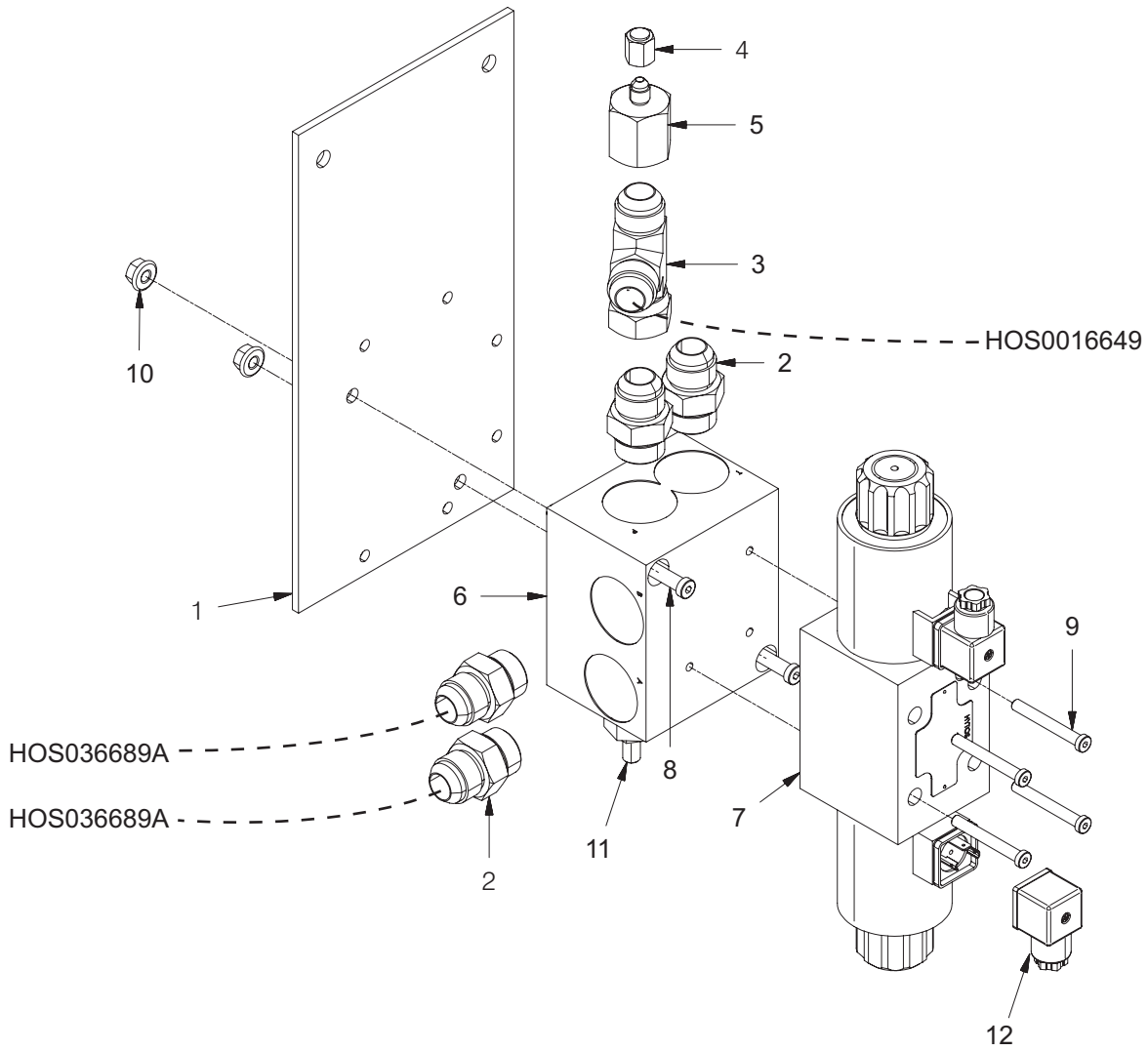
INFEEED CHUTE ASSEMBLY



INFEED CHUTE ASSEMBLY

REF NO.	PART NO.	DESCRIPTION	QTY. USED	REF NO.	PART NO.	DESCRIPTION	QTY. USED
1	CHU0022765	INFEED CHUTE REAR PAN ASY	1		CRB3130100	5/16X 1 CARRIAGE BOLT-PLTD	2
	CRB3130100	5/16X 1 CARRIAGE BOLT-PLTD	10		SCC0020002	5/16 X 1 NC HT CS - PLATED	2
	NCH0000313	5/16" NC HEX NUT - PLATED	10		NCH0000313	5/16" NC HEX NUT - PLATED	4
	WCT0000313	5/16" FLATWASHER-PLATED	10		WCT0000313	5/16" FLATWASHER-PLATED	4
2	CHU0022767	INFEED CHUTE FRONT PAN	1	8	GRD2521300	LFT OUTSIDE CHUTE GRD-MODIFIED	1
	SCC0020002	5/16 X 1 NC HT CS - PLATED	10		CRB3130100	5/16X 1 CARRIAGE BOLT-PLTD	2
	WCT0000313	5/16" FLATWASHER-PLATED	10		SCC0020002	5/16 X 1 NC HT CS - PLATED	2
	NCH0000313	5/16" NC HEX NUT - PLATED	10		NCH0000313	5/16" NC HEX NUT - PLATED	4
3	CHU0028810	LFT INFEED CHUTE SIDE PLT-A/94	1		WCT0000313	5/16" FLATWASHER-PLATED	4
	CRB2500075	1/4 X 3/4 CARRIAGE BOLT	20	9	CHU0028811	INFEED CHUTE RHT SIDE PLT-A/94	1
	NCH0000250	1/4" NC HEX NUT - PLATED	20		CRB2500075	1/4 X 3/4 CARRIAGE BOLT	20
	SBH0003001	3/8 X 3/4 NC BUTTON HD - PLT	2		SBH0003001	3/8 X 3/4 NC BUTTON HD - PLT	2
	WLK0000375	3/8" MEDIUM LOCKWASHER - PLTD	5		SCC0030003	3/8 X 1-1/4 NC HT CS - PLATED	5
	WCT0000375	3/8" FLATWASHER - PLATED	11		NCH0000250	1/4" NC HEX NUT - PLATED	20
	SCC0030003	3/8 X 1-1/4 NC HT CS - PLATED	5		WLK0000375	3/8" MEDIUM LOCKWASHER - PLTD	5
	NCH0000375	3/8" NC HEX NUT - PLATED	7		WCT0000375	3/8" FLATWASHER - PLATED	11
4	SUP0022487	FEEDER GUARD SUPPORT	1	10	GRD2521301	RHT OUTSIDE CHUTE GRD-MODIFIED	1
5	GRD0224960	LH OUTSIDE FEEDER GUARD	1		CRB3130100	5/16X 1 CARRIAGE BOLT-PLTD	2
	CRB3130100	5/16X 1 CARRIAGE BOLT-PLTD	2		SCC0020002	5/16 X 1 NC HT CS - PLATED	2
	SCC0020002	5/16 X 1 NC HT CS - PLATED	2		NCH0000313	5/16" NC HEX NUT - PLATED	4
	NCH0000313	5/16" NC HEX NUT - PLATED	4		WCT0000313	5/16" FLATWASHER-PLATED	4
	WCT0000313	5/16" FLATWASHER-PLATED	4	11	GRD0022486	CENTER FEED CHUTE GUARD	5
6	GRD0022492	CENTER FEEDER GUARD	5		CRB3130100	5/16X 1 CARRIAGE BOLT-PLTD	30
	CRB3130100	5/16X 1 CARRIAGE BOLT-PLTD	15		NCH0000313	5/16" NC HEX NUT - PLATED	30
	SCC0020002	5/16 X 1 NC HT CS - PLATED	15		WCT0000313	5/16" FLATWASHER-PLATED	30
	NCH0000313	5/16" NC HEX NUT - PLATED	30	12	LIN037661E	OPTIONAL FEED CHUTE LINER,UHMW	1
	WCT0000313	5/16" FLATWASHER-PLATED	30	13	ANC037660B	FEED CHUTE LINER ANCHOR	1
7	GRD0224961	RH OUTSIDE FEEDER GUARD	1				

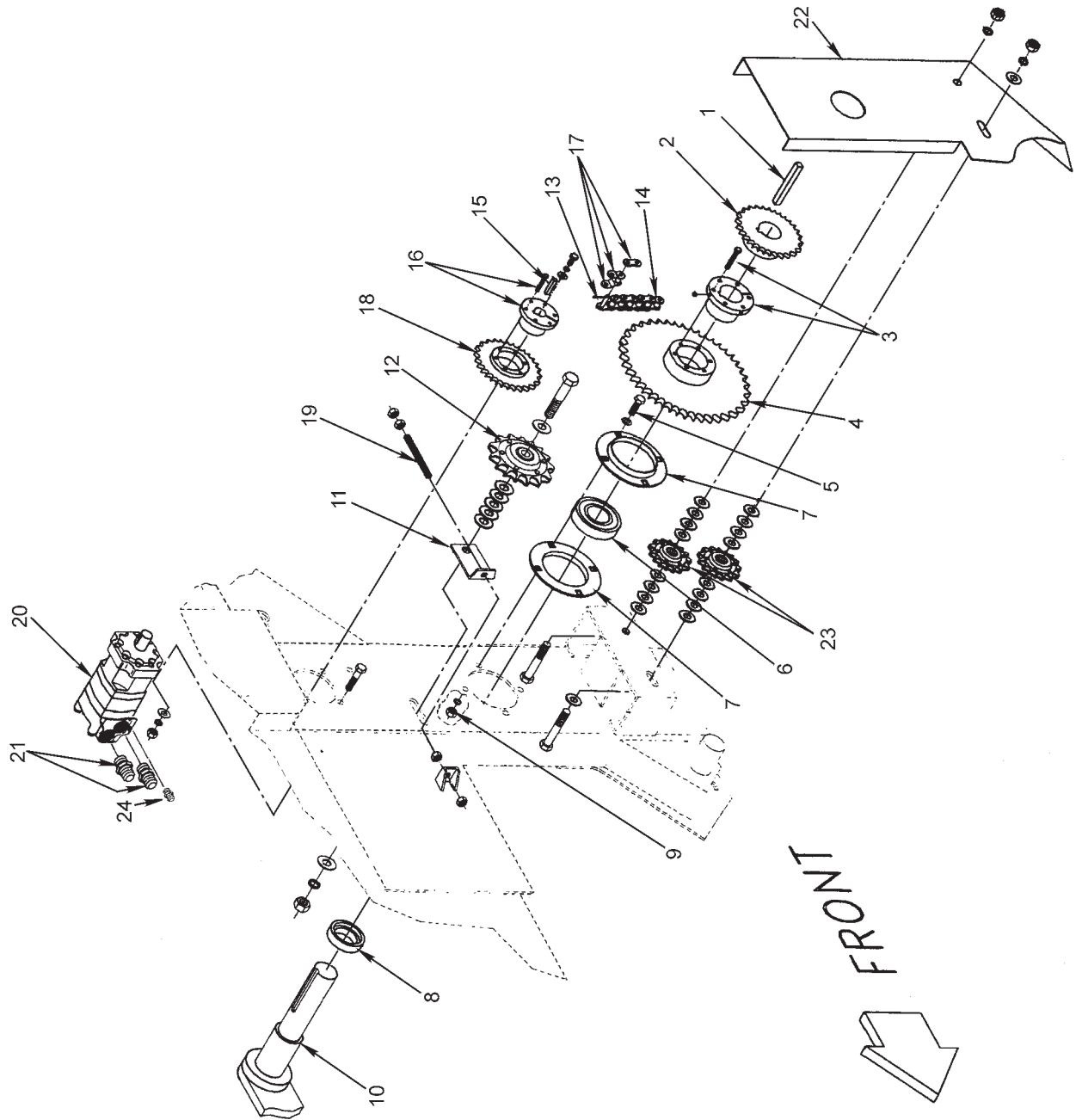
PICKUP AND FEEDER CONTROL VALVE ASSEMBLY



PICKUP AND FEEDER CONTROL VALVE ASSEMBLY

REF NO.	PART NO.	DESCRIPTION	QTY. USED
1	MNT037719B	SOLENOID VALVE MOUNT	1
2	HYD5315060	3/4JIC X 3/4 O-RNG ST THD CONN	4
3	HYD5706060	3/4" JIC SWIVEL RUN TEE	1
4	HYD5129020	1/4" JIC CAP	1
5	HYD5015062	3/4 TO 1/4 JIC TUBE REDUCER	1
6	VLV0000035	VALVE SUBPLATE, CAVITY	1
7	VLV0000062	SOLENOID VALVE 4 WAY 3 POS 12VDC	1
8	SCS0000209	SOCKET HEAD CS NC 5/16 X 4	2
9	SCS0000105	SOCKET HEAD CS NC 1/4 X 2	4
10	NMS0000117	WHIZ NUT 5/16-18 PLATED	2
11	VLV0000034	RELIEF VLV CART,53GPM,6000 PSI	1
12	CNR0000010	VALVE CONNECTOR, 3 PIN DIN	2

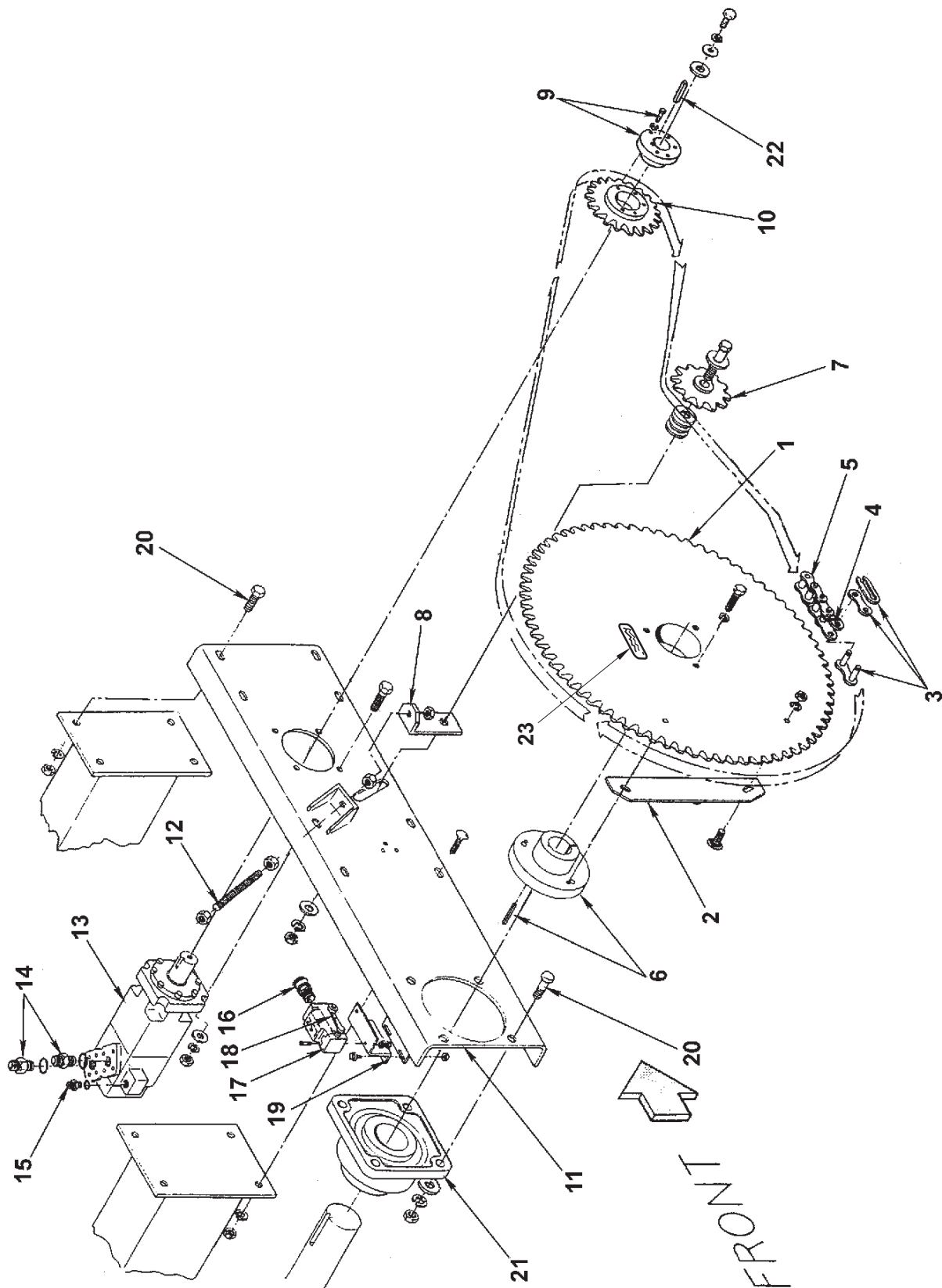
FEEDER AND PICKUP DRIVE ASSEMBLY



FEEDER AND PICKUP DRIVE ASSEMBLY

REF NO.	PART NO.	DESCRIPTION	QTY. USED	REF NO.	PART NO.	DESCRIPTION	QTY. USED
1	ZZ 0000458	1/2 X 1/2 X 4-1/2 KEY	1		WCT0000375	3/8" FLATWASHER - PLATED	1
2	SPK0602202	SPROCKET -	1		WLK0000375	3/8" MEDIUM LOCKWASHER - PLTD	1
3	BSH0020000	P/U FEED CRANK DRV BUSHING 2"	1		SCC0030001	3/8 X 3/4 NC HT CS - PLATED	1
4	SPK0080360	SPROCKET	1	17	OFL0000102	OFFSET LINK-	1
5	SFC0080504	1/2-20 X 1-1/2 GRD 8 CAP SCREW	4	18	SPK0080190	SPROCKET -	1
	WAS0000104	1/2 STRUCTURAL WASHER	4	19	ROD0017217	NEEDLE YOKE DRIVE ROD	1
	WLK0000500	1/2" LOCKWASHER - PLATED	4		NCH0000500	1/2" NC HEX NUT	4
6	BRG0002000	1ST FEEDER 1592 CRANK BEARING	1	20	MTR1091104	MOTOR -	1
7	BRG0002001	BEARING STAMPING F/BRG2000	2		SCC0050007	1/2 X 2-1/4 NC HT CS - PLATED	4
8	BRG0002002	LOCK COLLAR	1		NCH0000500	1/2" NC HEX NUT	4
9	NFH0080500	1/2"-20 GRADE 8 HEX NUT	4		WCT0000500	1/2" FLATWASHER - PLATED	4
10	SHF0023127	FEEDER CRANK SHAFT	1		WLK0000500	1/2" LOCKWASHER - PLATED	4
11	BKT0020148	CHAIN TIGHTENER BRACKET	1	21	HYD5315060	3/4JIC X 3/4 O-RNG ST THD CONN	2
12	SPK128012S	IDLER SPOCKET -	1	22	GRD0505568	PICKUP DRIVE CHAIN GUARD	1
	NCH0000750	3/4" NC HEX NUT - PLATED	1	23	SPK011536S	IDLER SPRCKET	2
	WLK0000750	3/4" MEDIUM LOCKWASHER-PLATED	1		SCC0070013	HEX HD CS NC 5/8 X 3-3/4 - PLATED	2
	WCT0000750	3/4" FLATWASHER - PLATED	1		WCT0000625	FLAT WASHER 5/8 -PLATED	24
	SCC0080007	3/4 X 2-1/4 NC HT CS - PLATED	1		WLK0000625	5/8" MEDIUM LOCKWASHER - PLTD	2
	WAS0000139	3/4 SAE FLATWASHER	5		NCH0000625	HEX NUT NC 5/8 - PLATED	2
13	CNK0000801	CONNECTING LINK-	1	24	209083	FITTING; ST-CG4-S	1
14	CHN0008064	CHAIN -	1				
15	ZZ 0000432	5/16 X 5/16 X 1-5/8 KEY	1				
16	BSH0101251	HUB- 1-1/4 5/16	1				

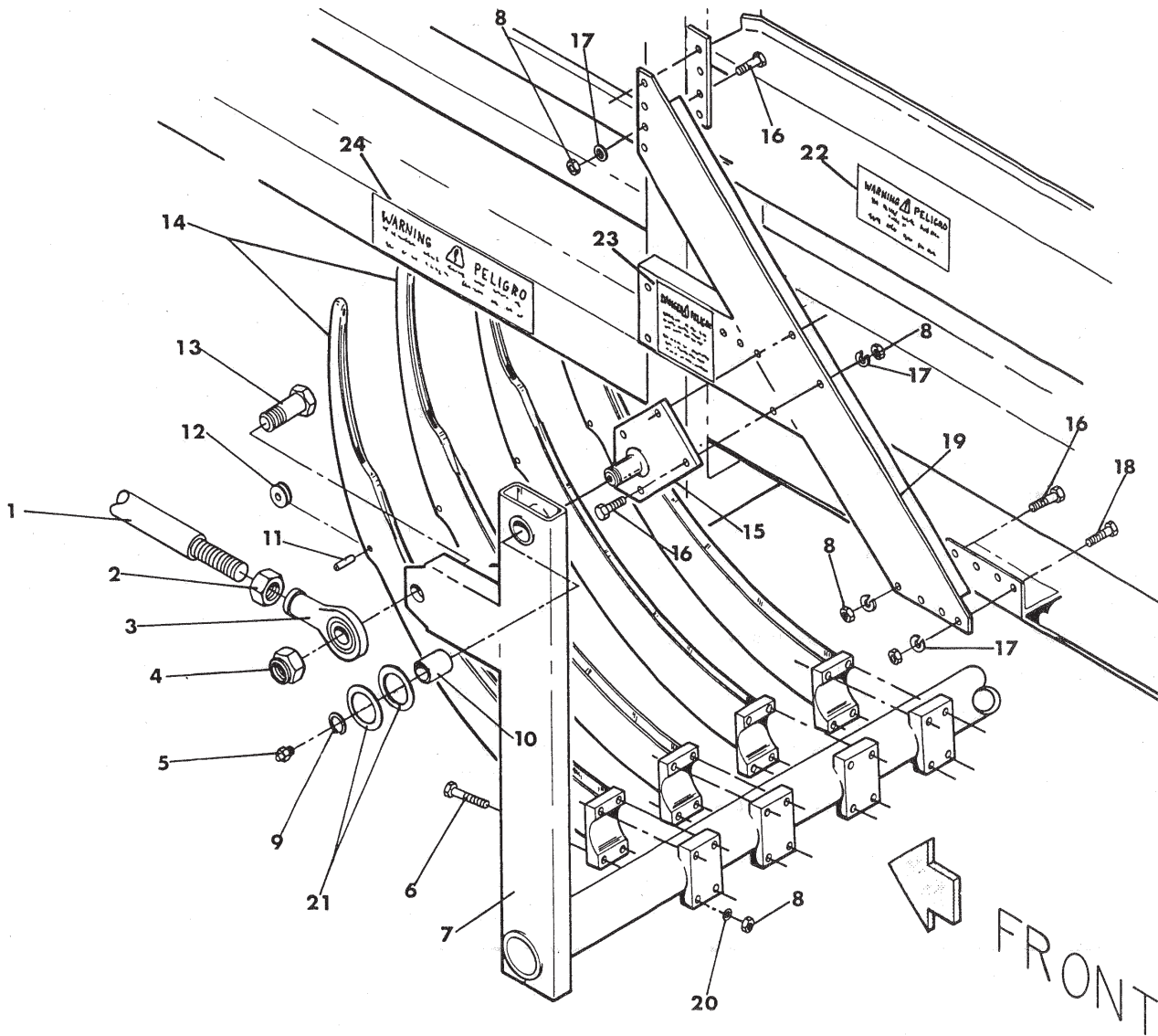
FEED FORK DRIVE ASSEMBLY



FEED FORK DRIVE ASSEMBLY

REF NO.	PART NO.	DESCRIPTION	QTY. USED	REF NO.	PART NO.	DESCRIPTION	QTY. USED
1	SPK0028041	FEED FORK SPROCKET	1	13	MTR1121067	MOTOR-	1
2	CAM0013897	FEEDER SWITCH CAM	1		NCH0000500	1/2" NC HEX NUT - PLATED	4
	CRB3131000	5/16X1 CARRIAGE BOLT	1		SCC0050007	1/2 X 2-1/4 NC HT CS - PLATED	4
	WLK0000313	5/16" MEDIUM LOCKWASHER - PLTD	1		WAS0000104	1/2 STRUCTURAL WASHER	4
	NCH0000313	5/16" NC HEX NUT - PLATED	1	14	HYD5315067	3/4JIC X 1" O-RNG ST THD CONN	2
3	CNK0000801	CONNECTING LINK-	1	15	F 0006684	1/4JIC X 1/4 O-RNG ST THD CONN	1
4	OFL0000102	OFFSET LINK-	1	16	CNR0000193	1/2" CORD CONN	1
5	CHN0080100	2ND FDR DRV CHN	1	17	SWI0005079	LIMIT SWITCH -4 POST	1
6	BSH0026875	BSH SPECIAL	1		SMR1032150	10-32X1-1/2 RH MACH SCREW-PLT	2
	ZZ00000456	5/8" X 5/8" X 2-1/2" KEY	1		NFH0001032	10-32 NF HEX NUT - PLATED	2
7	SPK128012S	IDLER SPOCKET	1		WLK0000100	#10 LOCKWASHER - PLATED	2
	SCC0080014	3/4 X 4 NC HT CS - PLATED	1	18	ARM0CH5084	3" LEVER ARM W/3/4" ROLLER	1
	WAS0000139	3/4 SAE FLATWASHER	5	19	BKT0017448	2ND FEED SWITCH BKT -	1
	WCT0000750	3/4" FLATWASHER - PLATED	1		SMS0000172	1/4 X 3/4 NC WHIZ BOLT	2
	NCH0000750	3/4" NC HEX NUT - PLATED	1		NMS0000250	1/4" NC WHIZ NUT - PLATED	2
	WLK0000750	3/4" MEDIUM LOCKWASHER-PLATED	1	20	CRB7500175	1/2 X 1-3/4 GR 5 CARR BOLT-PLT	8
8	BKT0020148	CHAIN TIGHTENER BRACKET	1		WAS0000104	1/2 STRUCTURAL WASHER	4
9	BSH0101502	QDSF X 1-1/2 BUSHING	1		NCH0000500	1/2" NC HEX NUT - PLATED	8
	WCT0000500	1/2" FLATWASHER - PLATED	1		WLK0000500	1/2" LOCKWASHER - PLATED	8
	WCT0000375	3/8" FLATWASHER - PLATED	1	21	BRG0268750	2-11/16"4-BOLT FLANGE BEARING	1
	WLK0000375	3/8" MEDIUM LOCKWASHER - PLTD	1		SCC0070006	5/8 X 2 NC HT CS - PLATED	4
	SCC0030001	3/8 X 3/4 NC HT CS - PLATED	1		WLK0000625	5/8" LOCKWASHER - PLATED	4
10	SPK0080210	SPROCKET	1		NCH0000625	5/8" NC HEX NUT - PLATED	4
11	MNT0018946	CHAR LYNN 6000 MOTOR MNT -1500	1		WAS0000105	5/8 STRUCTURAL WASHER	4
12	ROD0015719	CHAIN TIGHTENER ADJUSTMENT ROD	1	22	F 0004104	3/8 X 3/8 X 1-1/2 KEY	1
	NCH0000500	1/2" NC HEX NUT - PLATED	4	23	FD00028042	DECAL;A; SPROCKET ORIENTATION	1

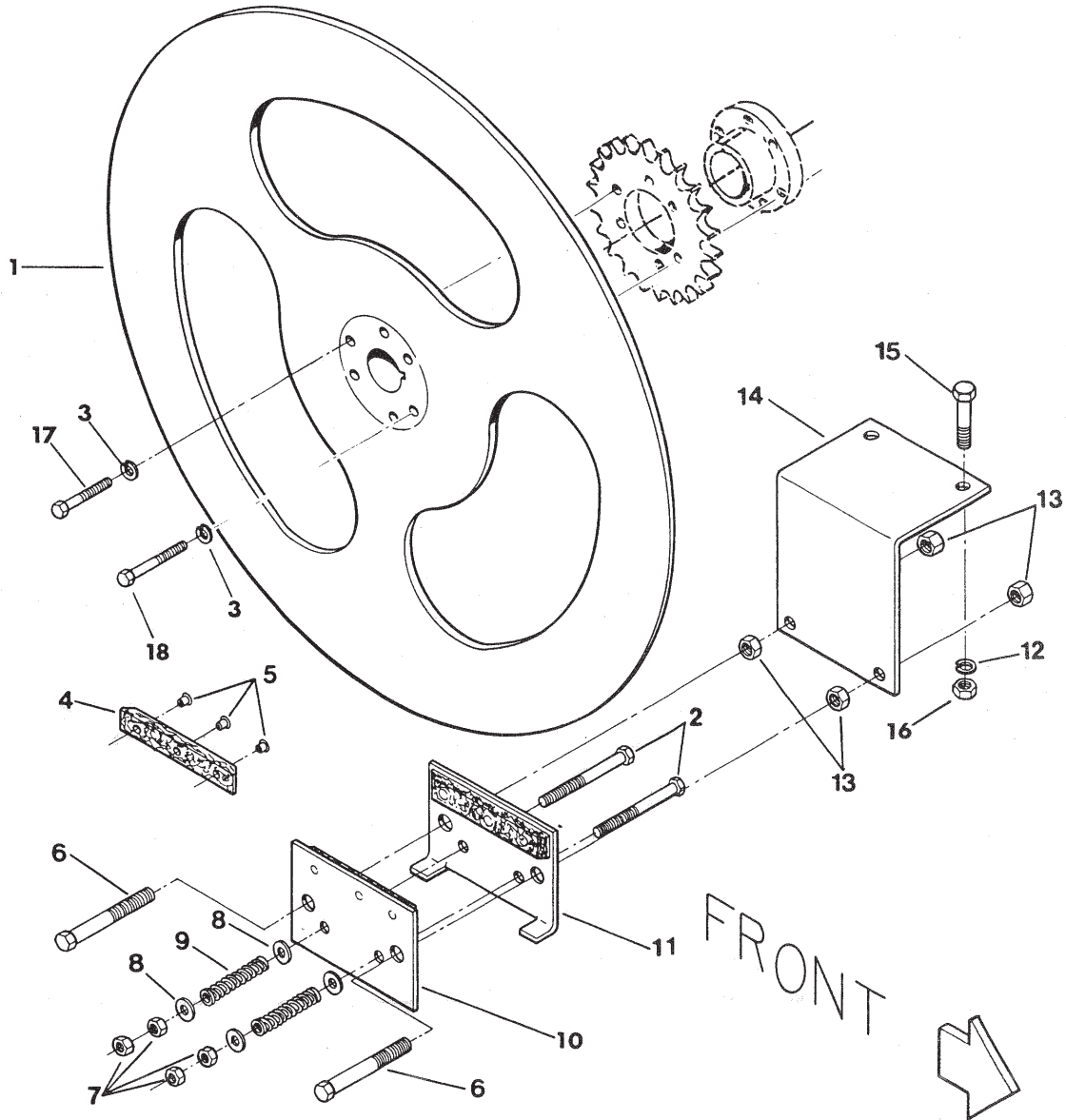
NEEDLES AND NEEDLE YOKE ASSEMBLY



NEEDLES AND NEEDLE YOKE ASSEMBLY

REF NO.	PART NO.	DESCRIPTION	QTY. USED
1	ROD0015503	NEEDLE YOKE DRIVE ROD	2
2	NFJ0012500	1-1/4" NF JAM NUT YOKE SIDE	2
3	ROD0000160	RH ROD END YOKE SIDE	2
4	NFE0001000	1" NF ESNA NUT - PLATED	4
5	ZZ 0000100	1/4-28 STR 5/16 HEX ZERK	2
6	SCC0050016	CAPSCREW; 1/2-13 X 5 GR5 HX ZC	24
7	YOK0022475	NEEDLE YOKE ASSEMBLY	1
8	234921	NUT, HEX; 1/2 NC GR8 ZC	52
9	F000007988	SNAP RING	2
10	F000004137	1-1/2 X 1-3/8 X 2 BUSHING	2
11	ZZ00000723	3/16 X 3/4 ROLL PIN	2
12	ROL0022066	ROLLER F/TWN NEEDLE-A/88	6
13	SFC0001015	CAPSCREW; 1 NF X 4 1/2 GR8 HX BLK	2
14	NDL0034076	NEEDLE ASSY - 1592	6
15	MNT1656800	MOUNTING WLDMT,LH NEEDLE YOKE	1
16	229171	CAPSCREW; 1/2 NC X 1 1/2 GR8 HX ZC	28
17	234665	WASHER, LOCK; 1/2 REG HEL SPR ZC	24
18	229172	CAPSCREW; 1/2 NC X 1 3/4 GR8 HX ZC	2
19	SUP1483300	L.H. NEEDLE YOKE PIVOT SUPPORT	1
	SUP1483301	R.H. NEEDLE YOKE PIVOT SUPPORT	1
20	WIS0005000	1/2 INTERNAL STAR WASHER-PLT	24
21	F000007977	1-3/8 X1-7/8 X. 010 SPACER WASHER	2
	SHM0000103	SHIM-1-3/8"STEEL	2
22	FD00023538	DECAL-"WARNING! DO NOT RIDE ON.."	2
	FD0000060D	DECAL-DUTCH VERSION	2
	FD0000060E	DECAL-EUROPEAN VERSION	2
23	FD00023571	DECAL-"DANGER! SERIOUS INJURY"	2
	FD0000061D	DECAL-DUTCH VERSION	2
	FD0000061E	DECAL-EUROPEAN VERSION	2
24	FD00023582	DECAL-"WARNING! KEEP HANDS...."	2
	FD0000049D	DECAL-DUTCH VERSION	2
	FD0000049E	DECAL-EUROPEAN VERSION	2

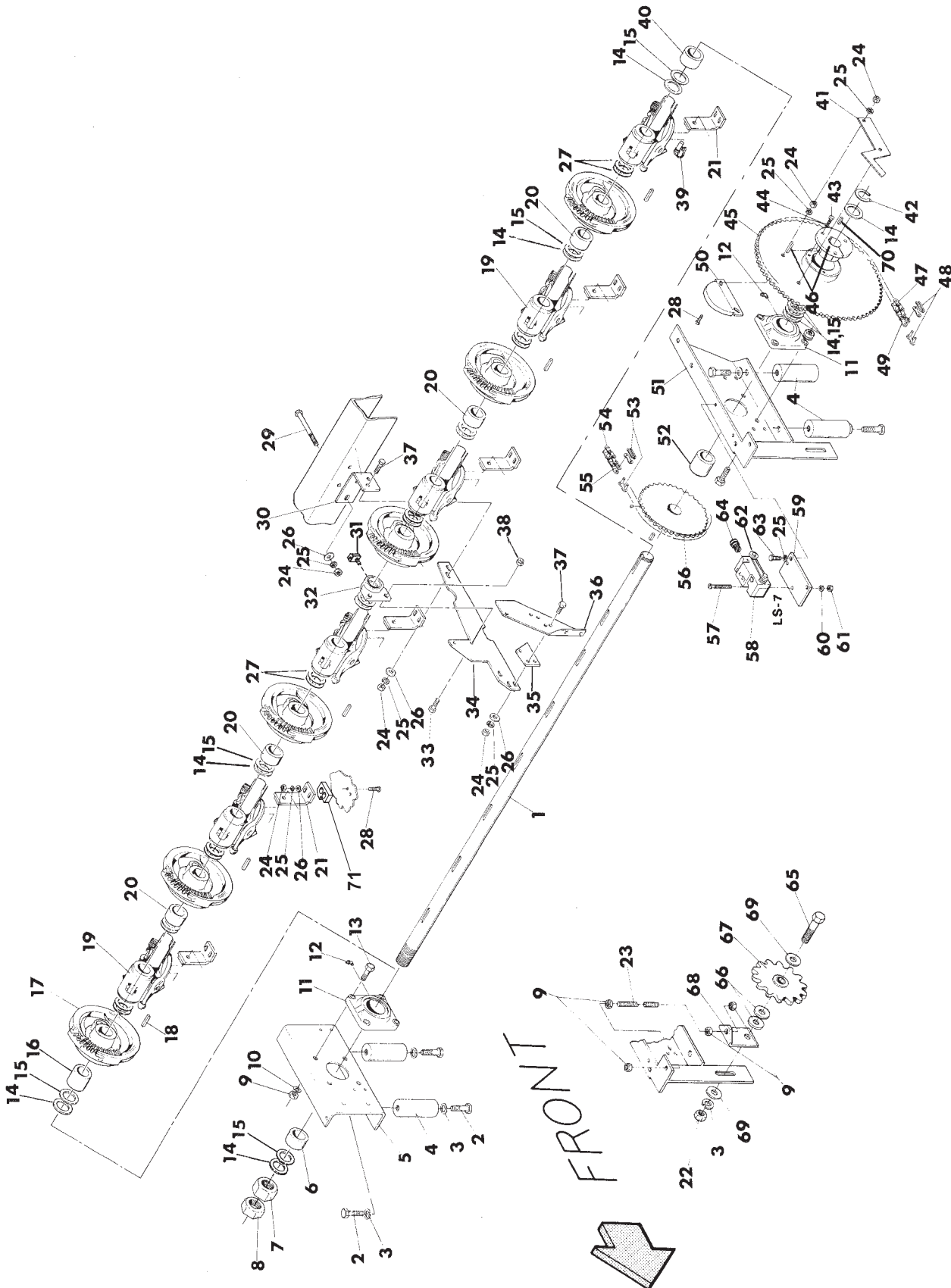
KNOTTER BRAKE ASSEMBLY



KNOTTER BRAKE ASSEMBLY

REF NO.	PART NO.	DESCRIPTION	QTY. USED
1	KNT0018949	KNOTTER BRAKE DISC	1
2	00186266	CAPSCREW; 1/4 NC X 3 1/4 GR5	2
3	223871	WASHER, LOCK; 1/4 HEL SPR ZC	6
4	F000007454	BRAKE LINING W/RIVETS (PAIR)	2
5	RIV0000106	RIVET F/KNOTTER BRAKE LINING	6
6	SFC0030010	HEX HD CS NF 3/8 X 3 - PLATED	2
7	R13811173	NUT, HEX; 1/4 NC GR8 ZY	4
8	R13811443	WASHER, FLAT; 1/4 (.327 ID) ZY	4
9	F000007453	BRAKE PLATE SPRING	2
10	F000007450	OUTSIDE BRAKE PLATE W/LINING	1
11	F000007449	INSIDE BRAKE PLATE W/LINING	1
12	234135	WASHER, LOCK; 3/8 REG HEL SPR ZC	2
13	223453	NUT, HEX; 3/8 NF GR5 ZY	4
14	MNT0018954	PL,MTG;B; .25PL X 4.125 X 8.375	1
15	233878	CAPSCREW; 3/8 NC X 1 1/4 GR8 HX ZC	2
16	NCH0000375	NUT, HEX; 3/8 NC GR5 ZY	2
17	R13810998	CAPSCREW; 1/4 NC X 2 1/4 GR8 HX ZY	3
18	SCC0080110	GRD 8 HEX HD CS NC 1/4 X 3	1

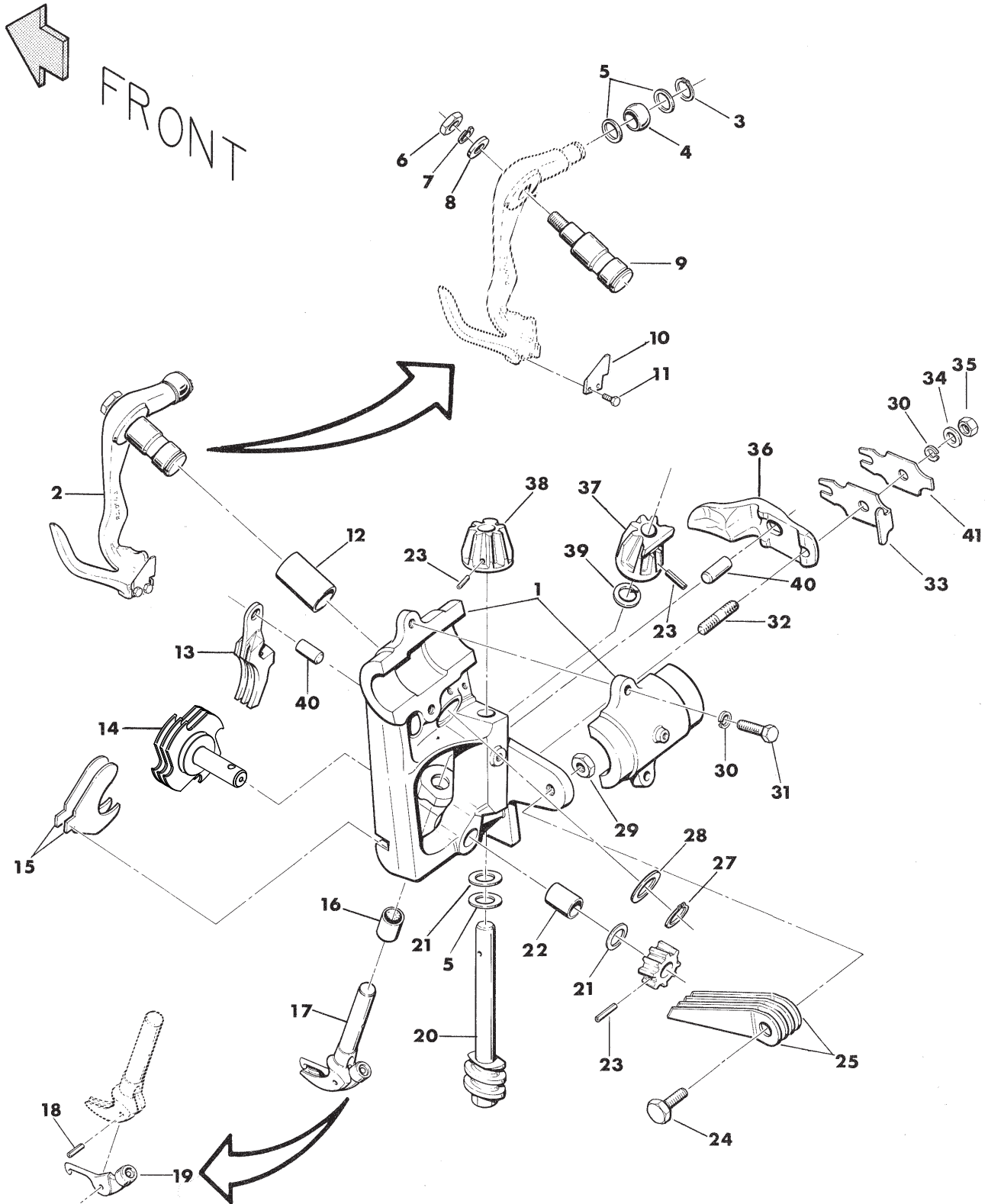
KNOTTER SHAFT ASSEMBLY



KNOTTER SHAFT ASSEMBLY

REF NO.	PART NO.	DESCRIPTION	QTY. USED	REF NO.	PART NO.	DESCRIPTION	QTY. USED
1	SHF0030951	SHAFT,KNOTTER	1	36	MNT0015373	TWINE FING DRIV CENT BRG MNT	1
2	234548	HEX HD CS 5/8-11 X 1-1/2	8	37	R13811015	CAPSCREW; 5/16 NC X 1 1/4 GR8 HX ZY	6
3	R13809066	WASHER, LOCK; 5/8 REG HEL SPR ZY	8	38	NFX0003750	FLEX-LOCK JAM NUT 3/8-24 PLATED	2
4	KNT0015323	ROD,BRG PED	4	39	PIN0375125	3/8 SNAPPER PIN F/1592	6
5	MNT0015325	PL,RH MTG	1	40	SPC0022554	KNOTTER SHAFT SPACER	1
6	SPC0015400	SPACER	1	41	KNT0021748	KNOTTER TIMING POINTER	1
7	NFH0013750	HEX NUT NF 1-3/8	1	42	F000007988	SNAP RING	1
8	NEJ0013750	ESNA JAM NUT NF 1-3/8" -	1	43	233878	CAPSCREW; 3/8 NC X 1 1/4 GR8 HX ZC	3
9	234921	NUT, HEX; 1/2 NC GR8 ZC	13	44	234135	WASHER, LOCK; 3/8 REG HEL SPR ZC	3
10	234665	WASHER, LOCK; 1/2 REG HEL SPR ZC	9	45	SPK0016363	SPROCKET	1
11	BRGRCJ1375	1-3/8 4 BOLT FLANGE BEARING	2	46	BSH0022979	BUSHING	1
12	00271283	FITTING, LUBE	2	47	CHN0006098	CHAIN, #60 - 98 PITCH	1
13	229172	CAPSCREW; 1/2 NC X 1 3/4 GR8 HX ZC	8	48	F000000760	CONNECTING LINK - RC60	1
14	R616841	MACH BUSH;A; 1 3/8 X 2 1/8 X 10GA	A/R	49	F000000759	OFFSET LINK - RC60	1
15	F000004161	MACH BUSH 18GA	A/R	50	CAM0015809	CAM WLDMT	1
16	SPC0022552	KNTR SHAFT SPACER 1-7/8"	1	51	MNT0015328	L. H. KNOTTER MOUNT ASSY	1
17	GER0006068	MODULAR CAM GEAR	6	52	SPC0015399	TUBE;A; 2 OD X .375WL X 2.75	1
18	44799	KEY;A; .375 SQ X 1.5	6	53	FT00000113	LINK, CONNECTING; #41 CHAIN	1
19	KNT0600600	KNOTTER HEAD ASSEMBLY -1592	6	54	FT00000165	PUMP DRIVE CHAIN-370 AUTO LUBER	1
20	SPC0022551	KNOTTER SHAFT SPACER 1 -1592	4	55	FT00000114	OFFSET LINK - #41 CHAIN	1
21	KNT0029387	KNOTTER ANCHOR ASSEMBLY -1592	6	56	SPK0041401	1592 KNOTTER SHAFT SPROCKET	1
22	235591	NUT, HEX; 5/8 NC GR8 ZC	1	57	SMR1032150	RND HD MS NF 10-32X1-1/2 - PLATED	2
23	ROD0017218	ROD;A; 1/2 NC X 8 FULL THD	1	58	SWI0005079	SWITCH, LIMIT	1
24	R13811512	NUT, HEX; 5/16 NC GR5 ZY	22	59	MNT0015802	PL,MTG;B; .25PL X 2.375 X 5	1
25	R13812513	WASHER, LOCK; 5/16 REG HEL SPR ZY	24	60	R13806992	WASHER, LOCK; #10 REG HEL SPR ZY	2
26	223428	WASHER, FLAT; 5/16 ZC	20	61	220044	NUT, HEX; 10-32 NF ZC	2
27	F000007977	1-3/8 X1-7/8 X. 010 SPACER WASHER	A/R	62	ARM0005084	ARM, LEVER W/ 3" ROLLER	1
27	F000007978	1-3/8X1-7/8X.005 SPACER WASHER	A/R	63	00180077	CAPSCREW; 5/16 NC X 3/4 GR5 HX ZC	2
27	SHM0000103	SHIM-1-3/8"STEEL F/KNOTTER ASSY	A/R	64	CNR0000193	CONNECTOR, CORD	1
27	SHM0000105	1-3/8"X 1-7/8 X.020 STEEL SHIM	A/R	65	SCC0000709	HEX HD CS NC 5/8 X 2-3/4	1
28	CRB3130125	5/16X 1-1/4 CARRIAGE BOLT-PLTD	14	66	235464	WASHER, FLAT; 5/8 ZC	2
29	SCC0020018	HEX HD CS NC 5/16 X 5 - PLATED	2	67	SPK011536S	SPROCKET-IDLER CHAIN 15T	1
30	ANC0020159	BAR,ANCHOR;B; .188 X 2FB X 7	1	68	BGT0020150	BRKT;B; .25PL X 2.5 X 4.75	1
31	F000008288	FITTING, LUBE; 66716 (90* AUTO)	1	69	R13811435	WASHER, HARD; 5/8 (.720 ID) ZY	2
32	BRG0022548	KNOTTER SHAFT CENTER BRG -1590	1	70	ZZ00000441	KEY; .375 SQ X 1	1
33	SFC0030002	HEX HD CS NF 3/8 X 1 - PLATED	2	71	DEF0029374	TWINE DEFLECTOR -1592	6
34	SUP0025265	KNOTTER SHF CENTER BEARING SUP	1				
35	SPC0016001	PL,SPACER;A; 10GA X 194 X 3.188	A/R				

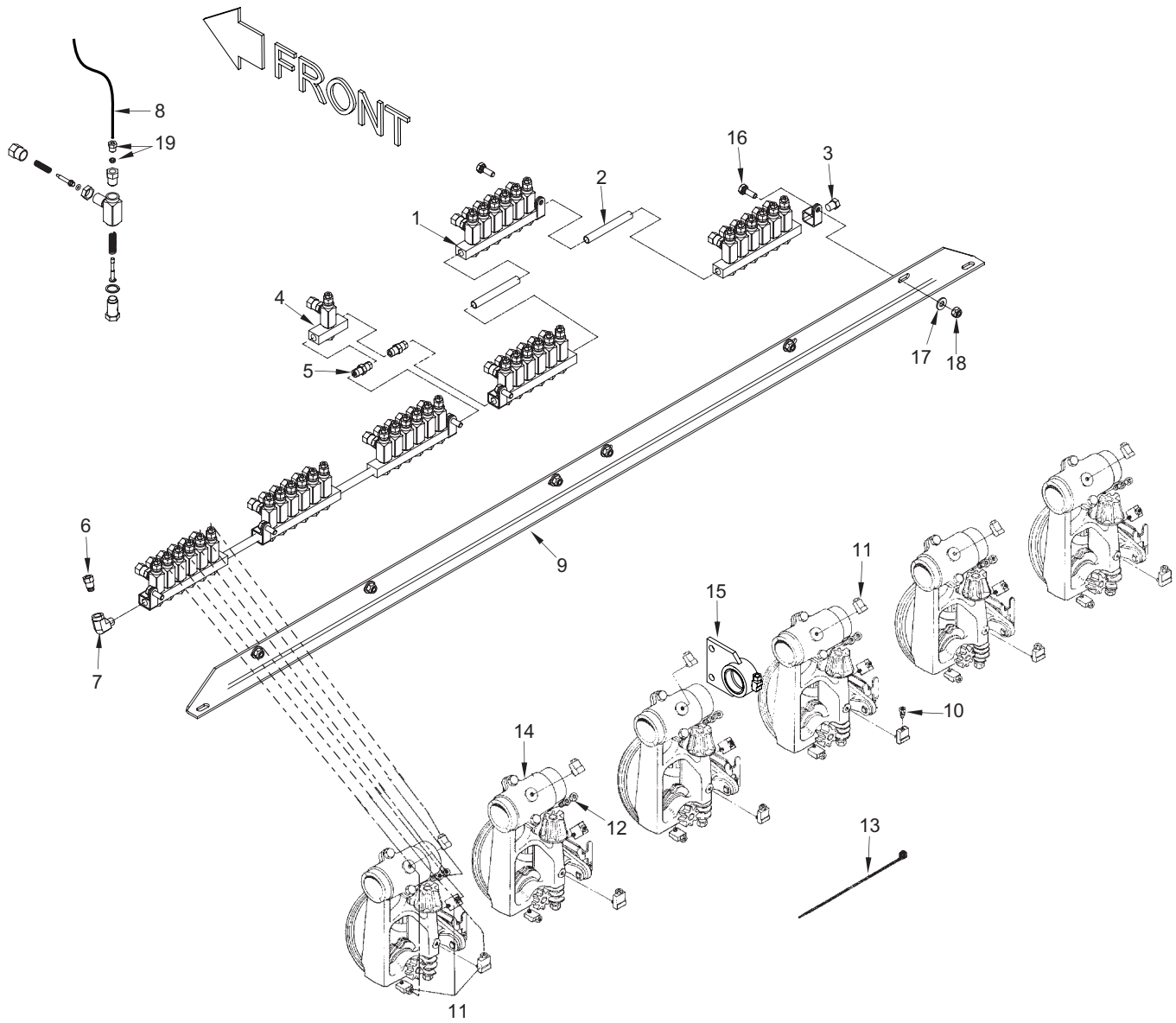
KNOTTER ASSEMBLY



KNOTTER ASSEMBLY

REF NO.	PART NO.	DESCRIPTION	QTY. USED	REF NO.	PART NO.	DESCRIPTION	QTY. USED
	KNT0600600	KNOTTER HEAD ASSEMBLY -1592	6		F00001680	28 GA. KNOTTER WORM WASHER	AR
1	KNT0060060	KNOTTER FRAME ONLY	1		RS00010500	.5MM WASHER-WORM SHF & KNF ARM	A/R
2	RS00006050	KNIFE ARM A3K4	1	22	RS00006003	TWINE DISC BUSHING F/KNT60060	1
3	F000008275	SNAP RING F/KNIFE ARM ROLLER	1	23	253271	SPIRAL PIN F/KNOTTER GEARS	3
4	F000008274	ROLLER F/KNIFE ARM -PLATED	1	24	233878	CAPSCREW; 3/8 NC X 1 1/4 GR8 HX ZC	1
5	F000008280	1 MM WASHER-WORM SHF & KNF ARM	AR		SCCM008030	GRD 8.8 HEX HD CS 8M X 30MM MC	1
	RS00010500	5MM WASHER-WORM SHF & KNF ARM	AR	25	F000008052	TWINE HOLDER SPRING	1
6	F000007893	NUT F/KNIFE ARM PIN	1	26	F000007871	TWINE HOLDER DISC WORM PINION	1
7	234135	WASHER, LOCK; 3/8 REG HEL SPR ZC	1	27	F000007976	SNAP RING F/KNIFE ARM SHAFT	1
8	F000007892	SPACER WASHER F/KNIFE ARM PIN	1	28	F000007860	KNIFE ARM WASHER 25 X 20 X .5M	A/R
9	RS206377212	PIN FOR KNIFE ARM COMPLETE	1	29	R13809551	NUT, HEX; 3/8 NC GR5 ZY	1
10	F000008049	TWINE KNIFE	1		NCHM008125	GR 8.8 HEX NUT 8M X 1.25 MC	1
11	F000007859	TWINE KNIFE SCREW	2	30	WLKM0000080	8 MM LOCKWASHER	3
12	RS00602201	KNIFE ARM BUSHING	1	31	SCCM108025	GRD 8.8 HEX HD CS 8M X 25MM MC	2
13	F000007868	TWINE HOLDER	1	32	F000007948	KNOT HOOK CAM ADJUSTING SCREW	1
14	RS00006085	TWINE DISC RETAINER	1	33	F000007947	KNOTTER HOOK CAM ADJUST SPRING	1
15	F000007870	TWINE DISC CLEANER	2	34	223428	WASHER, FLAT; 5/16 ZC	1
16	RS00006002	BILL HOOK BUSHING	1	35	F000007949	KNOTTER HOOK CAM ADJ SCREW-NUT	1
17	RS00006035	BILL HOOK F/KNT6006	1	36	F000008051	KNOTTER HOOK CAM	1
18	RS05187344	ROLL PIN F/NODULR KNTR TRIGGER	1	37	253270	HARDENED BILL HOOK PINION	1
19	RS00006036	TRIGGER ONLY F/RS6035 BILL HK	1	38	GER0007873	HARDENED KNOTTER WORM PINION	2
20	F000007876	KNOTTER WORM & SHAFT ASSEMBLY	1	39	F000008068	SPACER F/BILL HOOK PIN - .020	A/R
21	F000000658	14 GA. KNOTTER WORM WASHER	AR		F000008069	SPACER F/BILL HOOK PIN - .032	A/R
	F000000659	18 GA. KNOTTER WORM WASHER	AR	40	RS03451926	PIN F/BILL HOOK CAM & SPRING	2
				41	SPG0025466	KNT HOOK CAM ADJ SPRING-FORMED	1

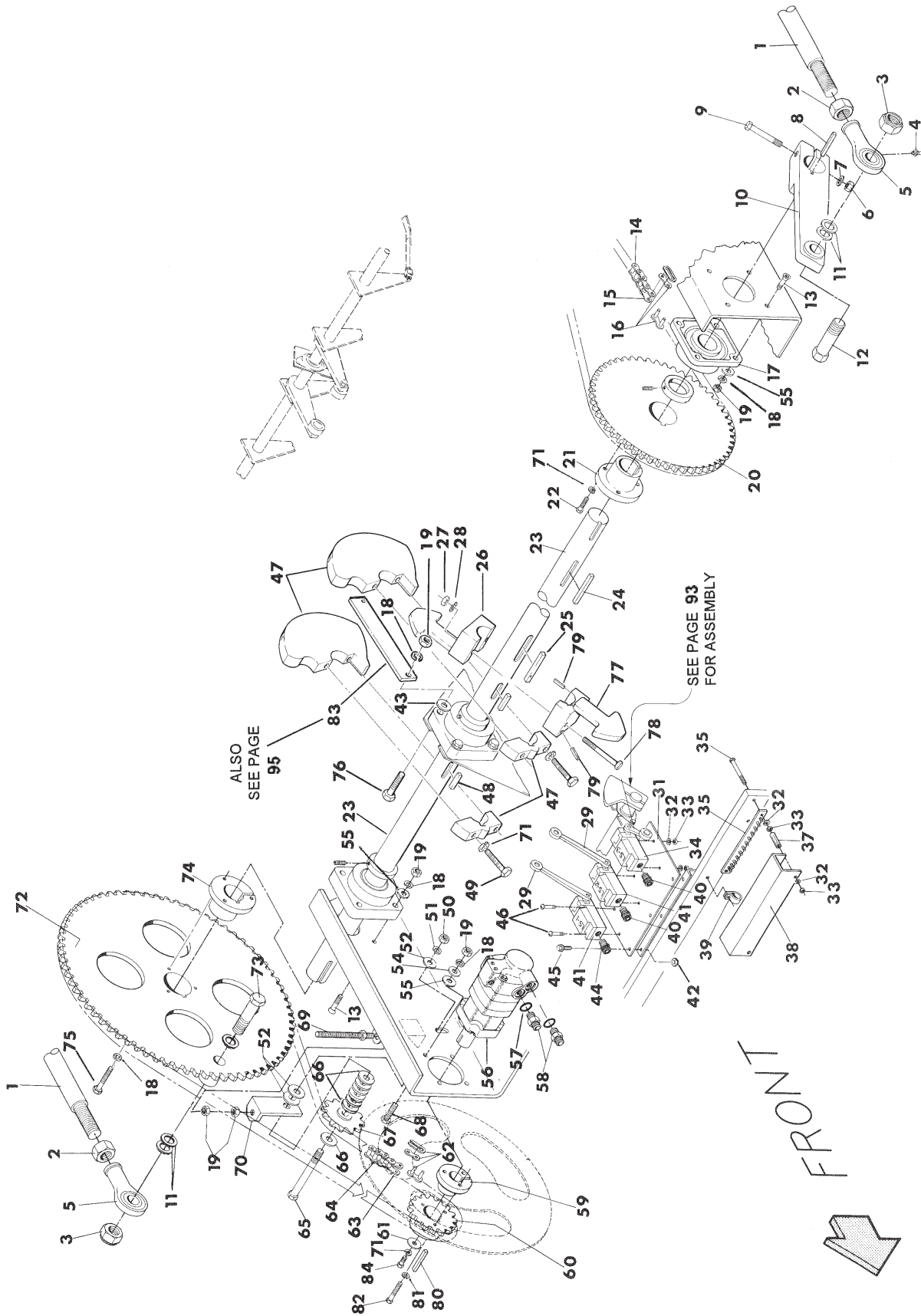
KNOTTER LUBER ASSEMBLY



KNOTTER LUBER ASSEMBLY

REF NO.	PART NO.	DESCRIPTION	QTY. USED
1	LUB0833116	LUBER ASSY, MANIFOLD, 6 HOLE	6
2	PPE1250300	1/8 X 3 STD BLK PIPE NIPPLE	4
3	209511	1/8 HEX HEAD STEEL PIPE PLUG	1
4	LUB0833111	LUBER ASSY, MANIFOLD, 1 HOLE	1
5	HYD3069021	1/8 NPT STL HEX NIPPLE	2
6	F000008312	1/4 SLEEVE F/F1441	1
7	F 0001441	1/4 X 1/8 90° ELBOW	1
8	NYL0001250	1/8 NYLAFLOW TUBING - TYPE LP	A/R
9	BKT0032981	BRKT,MTG;	1
10	F000008306	FERRULE F/AUTO LUBER FITTING	25
11	F000008288	FITTING, LUBE	25
12	F000008287	FITTING, LUBE	12
13	F000008290	3/16 X 7-1/4 CABLE TIE - BLACK	36
14	KNT0600600	KNOTTER HEAD ASSEMBLY -1592	6
15	BRG0022548	KNOTTER SHAFT CENTER BRG	1
16	222259	CAPSCREW; 1/4 NC X 3/4 GR5 HX BLK	6
17	R13811443	WASHER, FLAT; 1/4 (.327 ID) ZY	6
18	235620	ESNA NUT NC 1/4"	6
19	LUB0083924	COMP NUT/SLEEVE F/ SL42 LUB833116	36

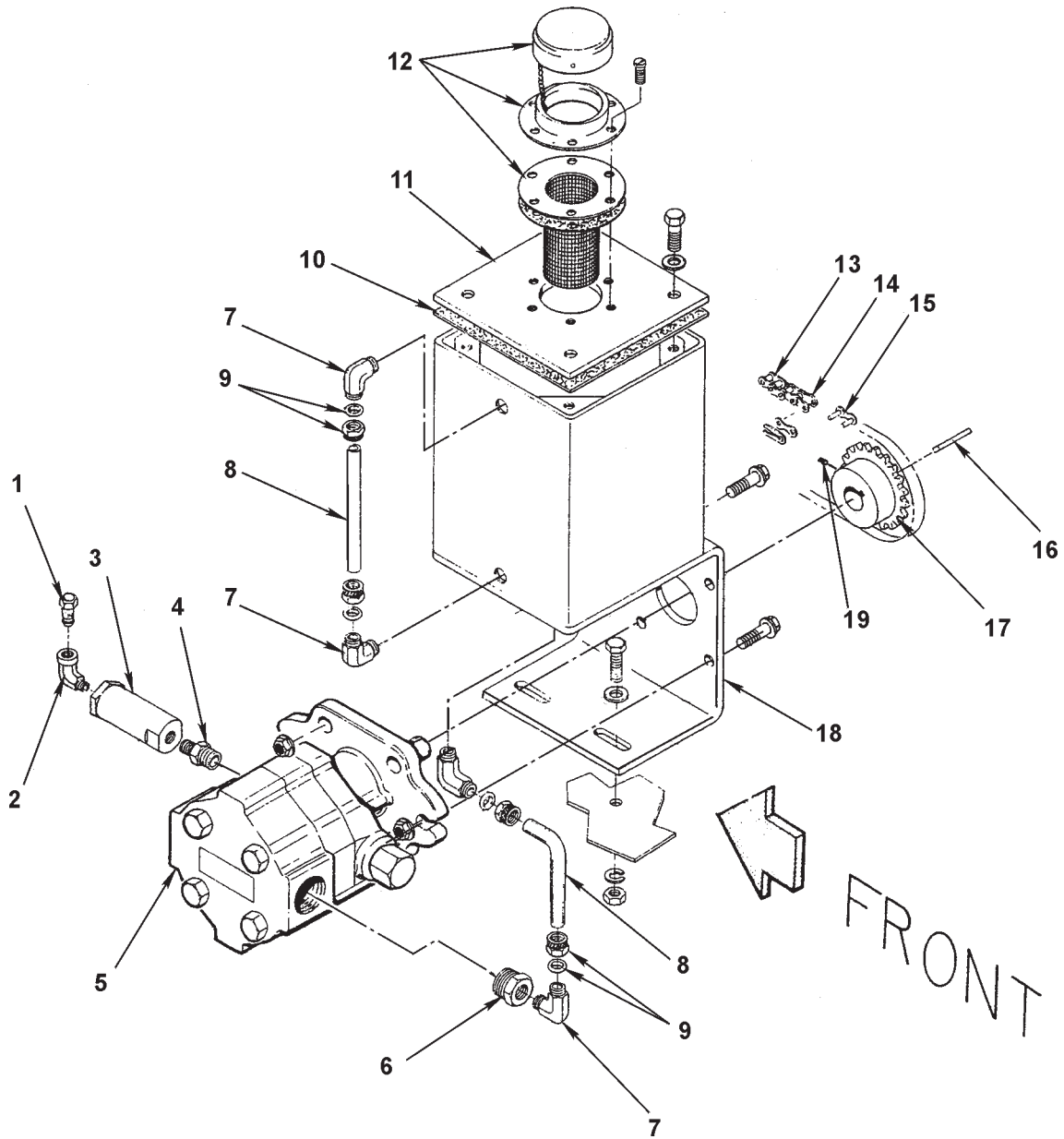
KNOTTER DRIVE



KNOTTER DRIVE

REF NO.	PART NO.	DESCRIPTION	QTY. USED	REF NO.	PART NO.	DESCRIPTION	QTY. USED
1	ROD0015503	NEEDLE YOKE DRIVE ROD	2	43	00120396	WASHER, FLAT; 1/2 STL NARROW ZC	1
2	231071	NUT, JAM; 1 1/4 NF (LH THD) GR5 BLK	2	44	CNR0000195	CONNECTOR, CORD	1
3	NFE0001000	ESNA NUT NF 1 - PLATED	2	45	SMS0000184	BOLT, WHIZ; 5/16 NC X 3/4 ZC	3
4	11079	FITTING, LUBE	2	46	SMR1032150	RND HD MS NF 10-32X1-1/2	6
5	ROD0001600	L. H. ROD END	2	47	CAM0027324	TWINE FINGER DRIVE CAM	2
6	235591	NUT, HEX; 5/8 NC GR8 ZC	1	48	ZZ00000451	KEY STOCK	2
7	R13809066	WASHER, LOCK; 5/8 REG HEL SPR ZY	1	49	233877	CAPSCREW; 3/8 NC X 2 1/2 GR8 HX ZC	4
8	F000000225	KNOTTER DRIVE SHAFT KEY	1	50	235208	NUT, HEX; 3/4 NC GR8 ZC	1
9	R13801876	CAPSCREW; 5/8 NC X 4 GR8 HX ZY	1	51	R13812518	WASHER, LOCK; 3/4 REG HEL SPR ZY	1
10	ARM036060D	CRANK ARM NEEDLE YOKE DRIVE	1	52	R13811457	WASHER, FLAT; 3/4 (.842 ID) ZY	3
11	ZZ000000209	MACHINE BUSH 18GA	A/R	53	235546	WASHER, HARD; 3/4	1
11	ZZ000000218	MACHINE BUSH 10GA	A/R	54	WCT0000500	WASHER, FLAT; 1/2 A325 ZC	6
11	ZZ000000219	MACHINE BUSHING 14 GA	A/R	55	WAS0000104	WASHER, HARD; 1/2	15
12	219897	CAPSCREW; 1 NF X 4 1/2 GR8 HX BLK	1	56	MTR1091105	MOTOR	1
13	SCO0000505	CAPSCREW; 1/2 NC X 1 3/4	8	57	RNG0003912	O-RING V894-90 VITON 90 DURO	2
14	CHN0006098	CHAIN, #60 - 98 PITCH	1	58	209215	FITTING; ST-CG12-S	2
15	F000000760	CONNECTING LINK - RC60	1	59	BSH0010125	1-1/4" SPECIAL BUSHING	1
16	F000000759	OFFSET LINK - RC60	1	60	SPK0080140	SPROCKET-KNOTTER BRAKE-1592	1
17	BRG0193750	BEARING, FLG	3	61	223427	WASHER, FLAT; 3/8 A325 ZC	2
18	234665	WASHER, LOCK; 1/2 REG HEL SPR ZC	19	62	CNK0000800	CONNECTING LINK - #80	1
19	234921	NUT, HEX; 1/2 NC GR8 ZC	19	63	OFL0000102	#80 IMPORTED OFFSET LINKS	2
20	SPK0006056	SPROCKET, NEEDLE YOKE DRIVE 56 T	1	64	CHN0008090	CHAIN - NEEDLE YOKE DRIVE 1592	1
21	BSH0119375	BUSHING	1	65	SCC0080014	CAPSCREW; 3/4 NC X 4 GR8 HX ZY	1
22	233878	CAPSCREW; 3/8 NC X 1 1/4 GR8 HX ZC	3	66	WAS0000139	WASHER, FLAT; 3/4 SAE	5
23	SHF0022555	NEEDLE YOKE DRIVE SHAFT -1590	1	67	SPK128012S	SPROCKET-ROLLR CHAIN IDLER-12T	1
24	ZZ00000457	KEY STOCK; .5 SQ X 2.75	1	68	234887	CAPSCREW; 1/2 NC X 2 1/4 GR8 HX ZC	2
25	ZZ00000426	KEY STOCK; .5 SQ X 3.25	1	69	ROD0015719	ROD;A; 1/2 NC X 4.5 FULL THD	1
26	CAM1610500	CAM 1592 KNOTTER STOP	1	70	BKT0020148	BRKT;B; .25 X 3FB X 5.75	1
27	R13811512	NUT, HEX; 5/16 NC GR5 ZY	2	71	234135	WASHER, LOCK; 3/8 REG HEL SPR ZC	10
28	R13812513	WASHER, LOCK; 5/16 REG HEL SPR ZY	2	72	SPK0015698	1592 NEEDLE YOKE DRIVE SPROCKET	1
29	ARM0005084	ARM, LEVER W/ 3/4" ROLLER	2	73	SFC0001017	1 X 5-1/2 NF HT CAP SCREW	1
30	ARM0005001	1 1/2" ARM, LEVER W/ 3/4" ROLLER	1	74	BSH0193750	BUSHING	1
31	MNT0015848	PL,MTG;B; .25PL X 5.813 X 8.312	1	75	SCC0050009	CAPSCREW; 1/2 NC X 2 3/4	3
32	R13806992	WASHER, LOCK; #10 REG HEL SPR ZY	4	76	00179889	CAPSCREW; 1/2 NC X 2 GR5	1
33	220044	NUT, HEX; 10-32 NF ZC	4	77	CAM1610501	R.H. KNOTTER SWITCH CAM	1
34	230765	SWITCH, LIMIT	1	78	201631	CAPSCREW; 5/16 NC X 3 3/4 GR5	2
35	229884	TERMINAL BLOCK; 4721-P14	1	79	ZZ00000704	PIN, ROLL; 1/4 DIA X 1 1/2	2
36	SMR1320300	RND HD MS NF 10-32 X 3	2	80	ZZ00000432	KEY; .312 SQ X 1.625	1
37	11-262	1" SPACER F/JUNCTION BOX	2	81	WLK0000250	WASHER, LOCK; 1/4 HEL SPR	3
38	COV036130B	14 POST JUNCTION BLOCK SHIELD	1	82	SCC0080107	CAPSCREW; 1/4 NC X 2 1/4 GR8	3
39	CLP77001160	3/4 INSULATED HOSE CLAMP 13/32"	1	83	BAR0027935	TWINE FINGER DRIVE TIE BAR	1
40	CNR0000193	CONNECTOR, CORD	2	84	SCC0030002	CAPSCREW; 3/8 NC X 1 GR5 HX	3
41	SWI0005081	SWITCH, LIMIT	2				
42	00273802	NUT, SERRATED; 5/16 NC GR5 FLGD	3				

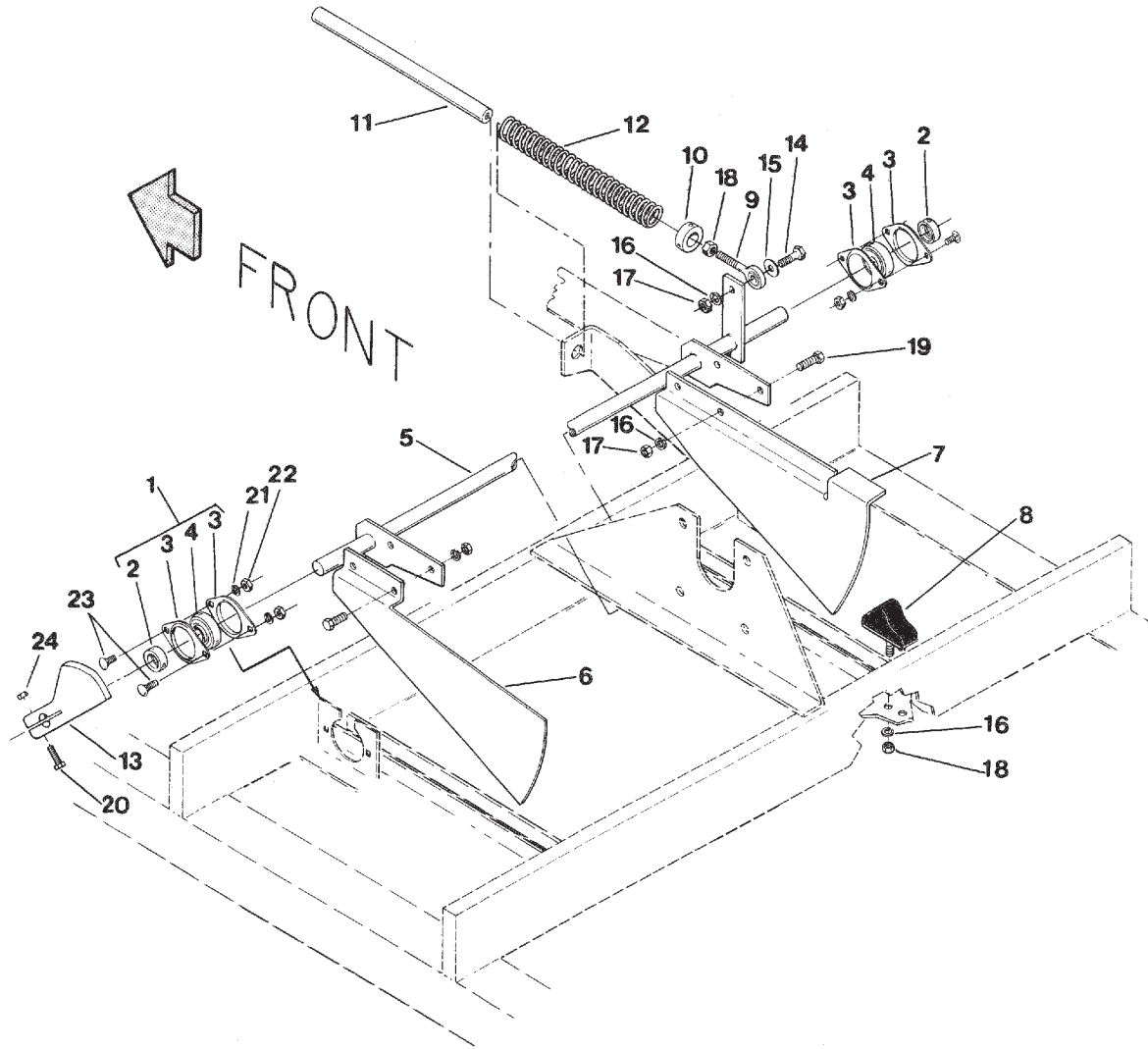
LUBER PUMP & TANK ASSEMBLY



LUBER PUMP & TANK ASSEMBLY

REF NO.	PART NO.	DESCRIPTION	QTY. USED	REF NO.	PART NO.	DESCRIPTION	QTY. USED
1	F 0008312	1/4 SLEEVE F/F1441	1	12	FIL0010003	FILTER CAP COMPLETE W/SCREEN	1
2	F 0001441	1/4 X 1/8 90° ELBOW	1		SCC0020003	5/16 X 1-1/4 NC HT CS - PLATED	4
3	FIL0009052	1/4 IN-LINE FILTER	1		WAS0725002	WAHER 5/16 X 11/16 OD.	4
4	HYD3069032	NIPPLE 1/4X3/8 NPT HEX	1	13	FT 0000165	PUMP DRIVE CHAIN-	1
5	PMP0000003	AUTO LUBER PUMP	1		SMR1032500	10-32X1/2 RH MACH SCREW-PLT	6
	SEL0047311	SEAL KIT	1	14	FT 0000113	CONNECTING LINK -	1
	NMS0000117	5/16" NC WHIZ NUT - PLATED	4	15	FT 0000114	OFFSET LINK -	1
	SCC0020002	5/16 X 1 NC HT CS - PLATED	4	16	ZZ 0000403	1/8 X 1/8 X 1 KEY	1
6	PPE0500250	1/2" X 1/4" STD BLK HEX BUSH	1	17	F 0008201	LUBER/KNOTTER SPROCKET	1
7	F 0008209	3/8"X 1/4"90°BRASS MALE ELBOW	4	18	LUB0017169	LUBER TANK ONLY-1592	1
8	F 0008199	SITE GAUGE F/AUTO LUBER TANK	2		SCC0030002	3/8 X 1 NC HT CS - PLATED	2
9	IMP0026106	3/8 NUT & SLEEVE ASSEMBLY	4		WCT0000375	3/8" FLATWASHER - PLATED	2
	IMP0026006	3/8" PLASTIC SLEEVE ONLY	4		WLK0000375	3/8" MEDIUM LOCKWASHER - PLTD	2
10	F 0008198	GASKET F/AUTO LUBER TANK	1		NCH0000375	3/8" NC HEX NUT - PLATED	2
11	F 0008197	TANK COVER F/F-8196	1	19	STS2500250	1/4-20 X 1/4 SOC. SETSCREW	2

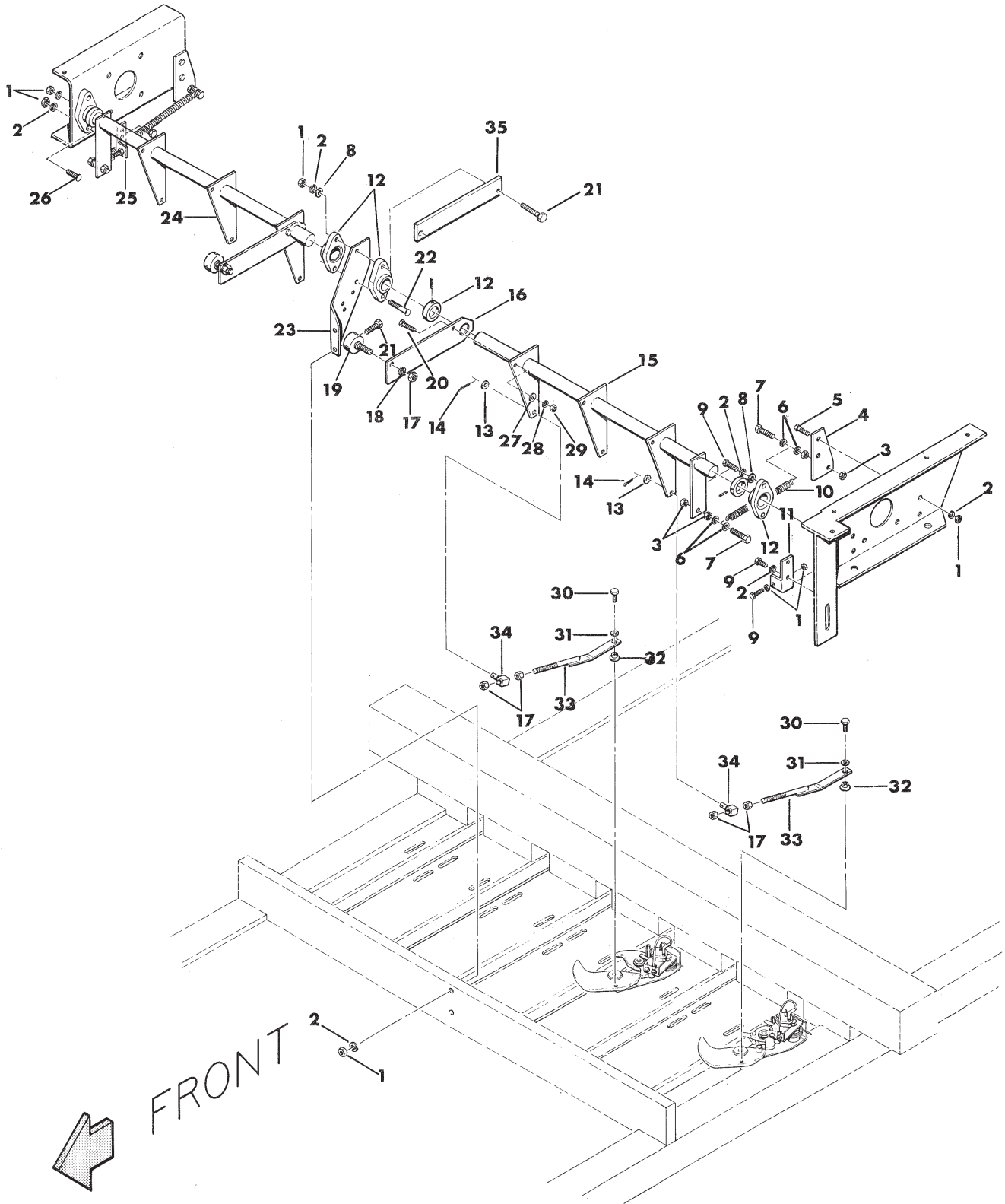
FULL FEED SENSOR ASSEMBLY



FULL FEED SENSOR ASSEMBLY

REF NO.	PART NO.	DESCRIPTION	QTY. USED	REF NO.	PART NO.	DESCRIPTION	QTY. USED
1	F000001618	METER WHEEL SHAFT BRG W/CLAMPS	2	11	ROD0015671	FEED SENSOR GUIDE ROD	1
2	F 0001890	LOCKING COLLAR (PART OF REF#4)	2	12	04-105	06-130,INDEX TRIP,RETURN	1
3	F 0001889	FLANGETTE F/F1618 BEARING	4	13	CAM0015917	CHARGE SWITCH CAM	1
4	F 0001619	METER WHEEL SHAFT-BEARING ONLY	2	14	R13811037	CAPSCREW; 3/8 NC X 1 1/2 GR8	1
5	ARM0022540	FEED SENSOR ARM ASSEMBLY	1	15	223427	WASHER, FLAT; 3/8 A325 ZC	1
6	PDL0015668	LH FEED SENSOR PADDLE- 38"	1	16	234135	WASHER, LOCK; 3/8 REG HEL SPR ZC	5
	PDL0027208	LH FEED SENSOR PADDLE -36" C/O	1	17	R13809551	NUT, HEX; 3/8 NC GR5 ZY	5
	PDL035816E	LH FEED SENSOR PADDLE,34-1/2"	1	18	223453	NUT, HEX; 3/8 NF GR5 ZY	1
7	PDL0017210	RH FEED SENSOR PADDLE-38"	1	19	00180122	CAPSCREW; 3/8 NC X 1 GR5 HX ZC	4
	PDL0027207	RH FEED SENSOR PADDLE -36" C/O	1	20	R13811017	CAPSCREW; 5/16 NC X 1 3/4 GR8 HX ZY	1
	PDL035817E	RH FEED SENSOR PADDLE,34-1/2"	1	21	R13812513	WASHER, LOCK; 5/16 REG HEL SPR ZY	4
8	F 0008264	RUBBER BUMPER	1	22	R13811512	NUT, HEX; 5/16 NC GR5 ZY	4
9	ROD0000600	ROD END L	1	23	CRB3130075	5/16 X 3/4 CARRIAGE BOLT-PLTD	4
10	F 0000172	3/4"STEEL SET COLLAR	1	24	223588	NUT, ESNA; 5/16 NC GR5 HX ZC	1

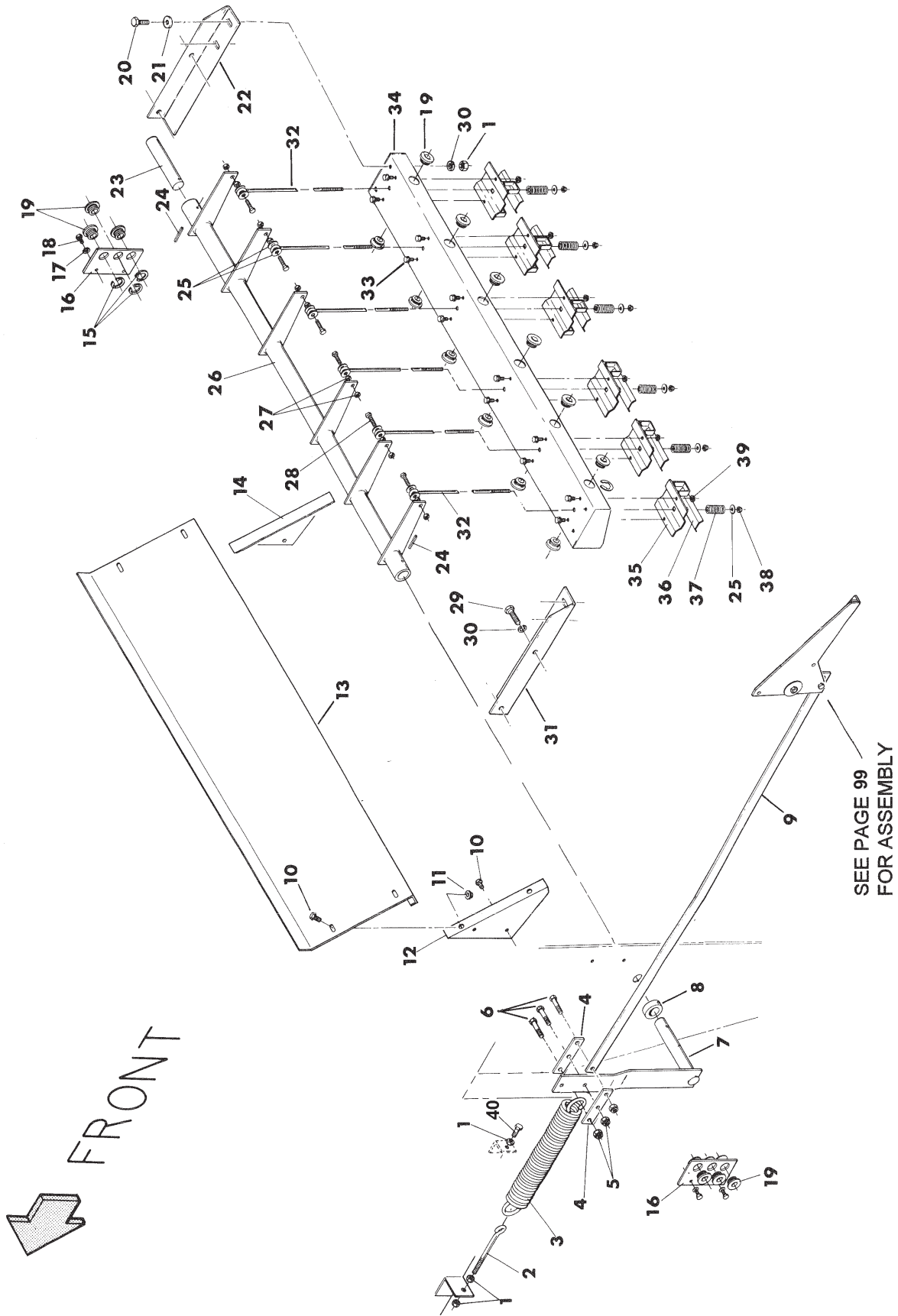
TWINE FINGER DRIVE ASSEMBLY



TWINE FINGER DRIVE ASSEMBLY

REF NO.	PART NO.	DESCRIPTION	QTY. USED
1	R13811512	NUT, HEX; 5/16 NC GR5 ZY	18
2	R13812513	WASHER, LOCK; 5/16 REG HEL SPR ZY	16
3	R13809551	NUT, HEX; 3/8 NC GR5 ZY	8
4	BKT0022078	TWINE FINGER RETURN SPRING BRKT	2
5	223655	CAPSCREW; 5/16 NC X 1 GR5	4
6	223427	WASHER, FLAT; 3/8 A325 ZC	8
7	R13811037	CAPSCREW; 3/8 NC X 1 1/2 GR8 HX ZY	4
8	223428	WASHER, FLAT; 5/16 ZC	4
9	R13811015	CAPSCREW; 5/16 NC X 1 1/4 GR8 HX ZY	5
10	F000001517	TRIP SPRING R# 4635B	2
11	BKT1537100	BRKT,LH;B; .25 X 2.75FB X 3.5	1
12	BRG0001001	2 BOLT 1"FLUSHMOUNT BALL BRG	4
13	F000001623	CLUTCH PAWL WASHER-200/270/330	6
14	COT0000301	3/32 X 3/4 COTTER PIN	6
15	SHF0028935	LH TWN FINGER DRV SHFT-AF/94	1
16	ARM0015370	BAR,CAM ARM;B; .313 X 2FB X 9.375	2
17	223453	NUT, HEX; 3/8 NF GR5 ZY	14
18	WLK0000375	WASHER, LOCK; 3/8 REG HEL SPR ZC	2
19	F000001572	CAM FOLLOWER-RESET-SADDLE LEV	2
20	234136	CAPSCREW; 1/4 NC X 1 GR8 HX ZC	2
21	SCC0020005	CAPSCREW; 5/16 NC X 1 3/4 GR8 HX ZY	3
22	CRB3130150	5/16-18 X 1-1/2 CARRIAGE BOLT	1
23	MNT0015373	TWINE FING DRIV CENT BRG MNT	1
24	SHF0022557	RH TWN FINGER DRV SHFT-AF/94	1
25	BKT1537101	BRKT,RH;B; .25 X 2.75FB X 3.5	1
26	CRB3130125	5/16X 1-1/4 CARRIAGE BOLT-PLTD	2
27	R13811443	WASHER, FLAT; 1/4 (.327 ID) ZY	2
28	223871	WASHER, LOCK; 1/4 HEL SPR ZC	2
29	R13811173	NUT, HEX; 1/4 NC GR8 ZY	2
30	SFC0020001	HEX HD CS NF 5/16 X 3/4-PLATED	6
31	WAS0000109	5/16 STRUCTURAL WASHER	1
32	F000008147	BUSHING,DRIVE ROD .625 DIA X .375	6
33	ROD0021408	TWINE FINGER DRIVE ROD-A/4/95	6
34	F000000159	BLOCK,LINK;A; .625 SQ BAR X 1.25	6
35	BAR0027935	TWN FINGER DRIVE TIE BAR -1592	1

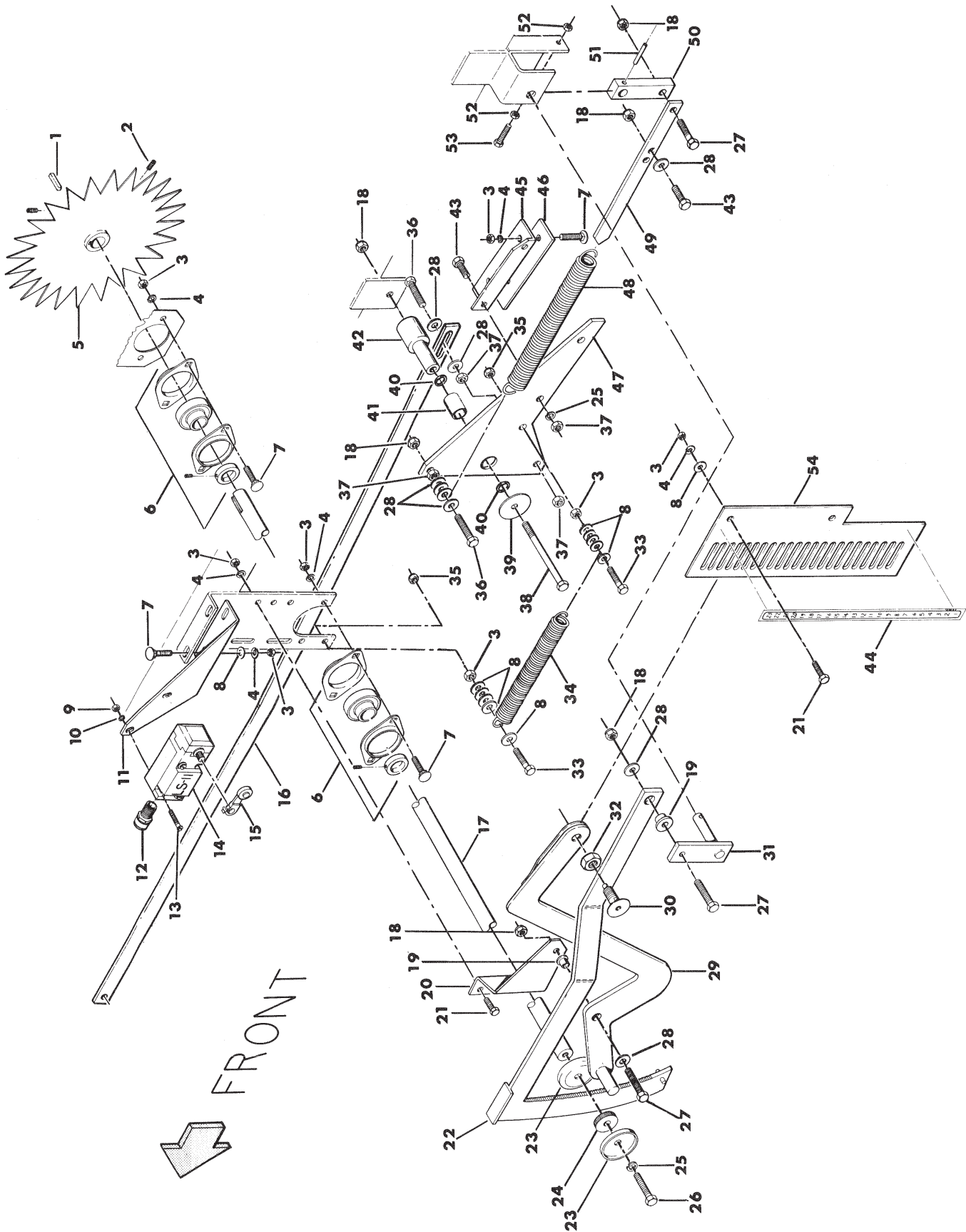
TWINE TENSION ASSEMBLY



TWINE TENSION ASSEMBLY (BOTTOM)

REF NO.	PART NO.	DESCRIPTION	QTY. USED
1	R13809551	NUT, HEX; 3/8 NC GR5 ZY	7
2	SMS0000301	3/8 X 5-1/2 EYE BOLT - G-6	1
3	F000000108	PICKUP BALANCE SPRING	1
4	LNK0027739	TWN TENS RELEASE LNK-AF/10-93	2
5	237567	NUT, ESNA;A; 3/8 NC GR8 ZC	3
6	233878	CAPSCREW; 3/8 NC X 1 1/4 GR8 HX ZC	3
7	LEV0015603	TWINE TENSIONER-SPRING LEVER	1
8	ZZ00002003	SET COLLAR 1" STEEL	1
9	ROD0027726	TWINE TENSION RESET LEVER-AFT	1
10	SMS0000184	BOLT, WHIZ; 5/16 NC X 3/4 ZC	6
11	00273802	NUT, SERRATED; 5/16 NC GR5 FLGD	4
12	MNT1660700	L.H. CHAFF SHIELD MOUNT	1
13	SHD0016584	TWINE TENSION CHAFF SHIELD	1
14	MNT1660701	R.H. CHAFF SHIELD MOUNT	1
15	F000000857	SNAP RING F/TWN GUIDE BUSHING	18
16	BKT0015602	TWN TENSIONER TWN GUIDE BRKT	2
17	223871	WASHER, LOCK; 1/4 HEL SPR ZC	4
18	223574	CAPSCREW; 1/4 NC X 3/4 GR5 HX ZC	4
19	F000000856	TWINE & WIRE GUIDE BUSHING	18
20	00180122	CAPSCREW; 3/8 NC X 1 GR5 HX ZC	4
21	223427	WASHER, FLAT; 3/8 A325 ZC	4
22	MNT2617501	RIGHT TWINE TENSIONER MOUNT	1
23	PIN0015610	TWINE TENSION LEVER PIVOT PIN	1
24	00180122	CAPSCREW; 3/8 NC X 1 GR5	2
25	223428	WASHER, FLAT; 5/16 ZC	18
26	LEV0022476	TWINE TENSION LEVER ASSY -1592	1
27	R13811512	NUT, HEX; 5/16 NC GR5 ZY	12
28	R13811016	CAPSCREW; 5/16 NC X 1 1/2 GR8 HX	6
29	235207	CAPSCREW; 3/8 NC X 3/4 GR8 HX ZC	4
30	WLK0000375	WASHER, LOCK; 3/8 REG HEL SPR ZC	8
31	MNT2617500	LEFT TWINE TENSIONER MOUNT	1
32	ROD0026174	TWN TENS TAKE UP ROD	6
33	SMS0000300	1/4 X 5/8 WASH HD NC WHIZ BOLT	12
34	TNS0026172	TWN TENS BASE MNT	1
35	TNS0015598	TWINE TENSION BASE	6
36	F000007890	TWINE TENSION TOP	6
37	F000007541	COMPRESSION SPRING	6
38	NCE0000313	ESNA NUT NC 5/16 - PLATED	6
39	09416918	NUT, SERRATED; 1/4 NC GR5	12
40	HTB0030006	HEX HD S-TAP NC 3/8 X 2"-PLTD	1

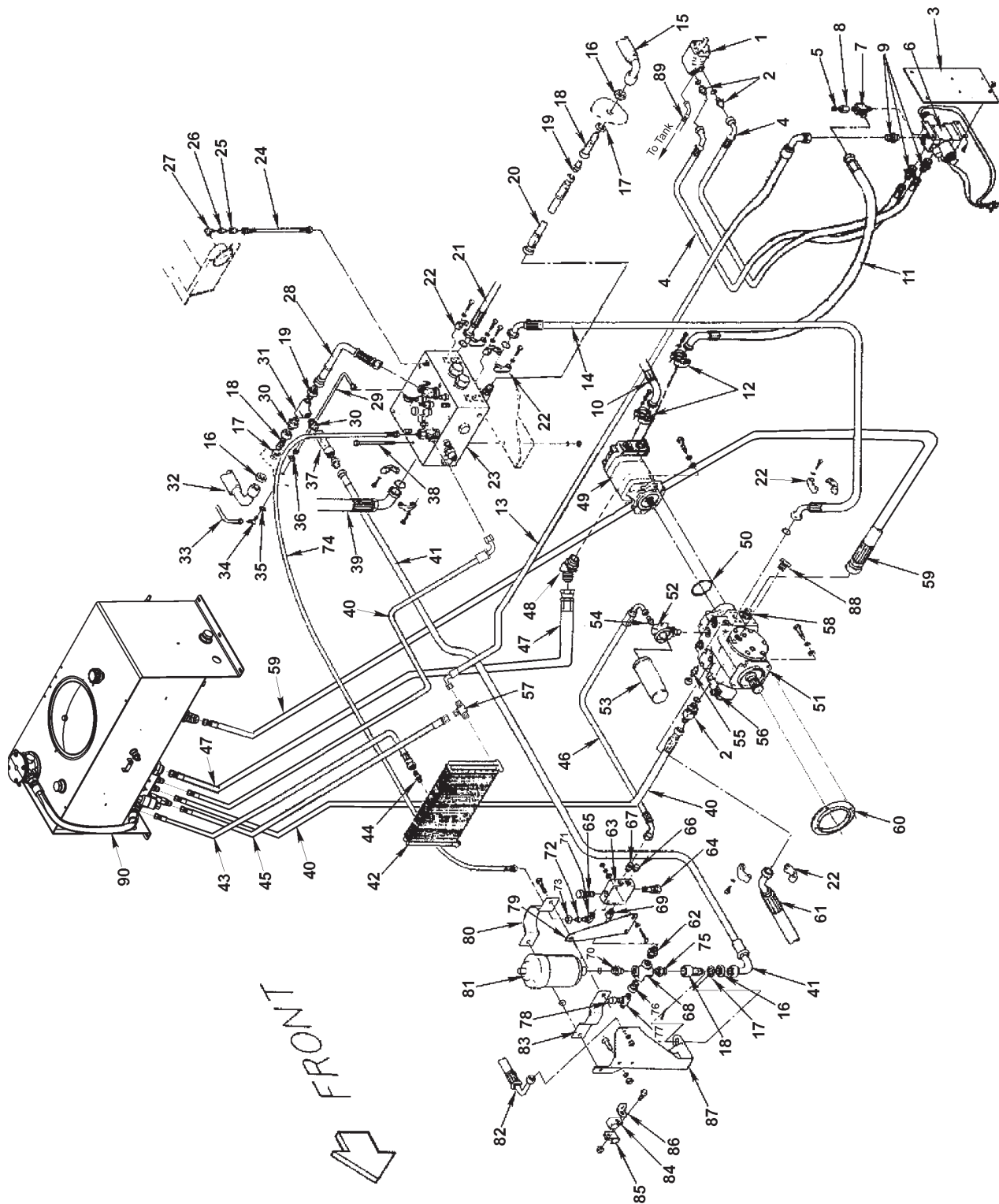
BALE LENGTH ADJUSTMENT MECHANISM ASSEMBLY



BALE LENGTH ADJUSTMENT MECHANISM ASSEMBLY

REF NO.	PART NO.	DESCRIPTION	QTY. USED	REF NO.	PART NO.	DESCRIPTION	QTY. USED
1	ZZ 0000404	3/16 X 3/16 X 1-1/2 KEY	1	27	233878	CAPSCREW; 3/8 NC X 1 1/4 GR8 HX ZC	3
2	STS2500313	SETSCREW 1/4-20 X 5/16 SOC. HD	2	28	223427	WASHER, FLAT; 3/8 A325 ZC	7
3	R13811512	NUT, HEX; 5/16 NC GR5 ZY	15	29	BAR0025880	KNOTTER TRIP ADJ. BAR ASSY	1
4	WLK0000313	LOCKWASHER 5/16 MEDIUM PLTD	1	30	PIN00FHR44	SPRING PLUNGER PIN	1
5	KNT0024098	METER WHEEL ASSY	1	31	LEV0015534	KNTR TRIP METER BAR LEVER	1
6	F000001618	METER WHEEL SHAFT BRG W/CLAMPS	2	32	NCJ0000500	WASHER, FLAT; 3/8 A325 ZC	1
7	CRB7313100	CARRIG BOLT 5/16-18 X 1" GRD 5 PLTD	8	33	R13811016	CAPSCREW; 5/16 NC X 1 1/2 GR8 HX ZY	2
8	223428	WASHER, FLAT; 5/16 ZC	14	34	F000000747	RETURN SPRING	1
9	220044	NUT, HEX; 10-32 NF ZC	2	35	NCE0000313	NUT, ESNA; 5/16 NC GR5 HX ZC	2
10	R13806992	WASHER, LOCK; #10 REG HEL SPR ZY	2	36	R13801824	CAPSCREW; 3/8 NC X 4 1/2 GR8 HX ZY	2
11	BKT0024068	BRACKET-KNOTTER TRIP SWITCH	1	37	R13809551	NUT, HEX; 3/8 NC GR5 ZY	5
12	CNR0000195	GUIDE WASHER	1	38	SCC0030015	CAPSCREW; 3/8 NC X 4 1/2 GR8 HX ZY	1
13	SMR1032150	RND HD MS NF 10-32X1-1/2	2	39	F000000246	KNOTTER BRAKE DISC WASHER	1
14	SWI0005081	LIMIT SWITCH -8 POST	1	40	F000007587	SADDLE LEVER ANCHOR SEAL	2
15	ARM0005001	1-1/2 LEVER ARM W/3/4 ROLLER	1	41	F000007586	BUSHING F/SADDLE LEVER ANCHOR	1
16	ROD0027726	TWINE TENSION RESET LEVER	1	42	SLV0015542	KNOTTER TRIP PIVOT BOLT SLEEVE	1
17	SHF0015527	METER WHEEL SHAFT	1	43	00180122	CAPSCREW; 3/8 NC X 1 GR5 HX ZC	3
18	237567	NUT, ESNA;A; 3/8 NC GR8 ZC	6	44	FD00022521	BALE LENGTH ADJ DECAL	1
19	F000000440	FERRULE	2	45	MNT0017158	WEAR LINER MOUNT	1
20	MNT0022342	ADJUSTMENT BAR MOUNT	1	46	LIN0017159	RESET LEVER WEAR LINER	1
21	SCC0020002	CAPSCREW; 5/16 NC X 1 GR5 HX ZC	5	47	LEV0015533	KNOTTER TRIP RESET LEVER	1
22	KNT0031232	KNOTTER TRIP METER BAR	1	48	F000001517	TRIP SPRING	1
23	F000008023	GUIDE WASHER	2	49	LNK0015541	KNOTTER TRIP SPRING LINK -1500	1
24	KNT0020500	KNOTTER TRIP FRICTION DISC	1	50	LEV0015537	KNOTTER TRIP SPRING LEVER	1
25	234135	WASHER, LOCK; 3/8 REG HEL SPR ZC	3	51	ZZ00000726	3/16 X 1 ROLL PIN	1
26	R13801813	CAPSCREW; 3/8 NC X 1 3/4 GR8 HX ZY	1	52	R13811173	NUT, HEX; 1/4 NC GR8 ZY	2
				53	HTB0010003	1/4 x 1-1/4 NC HEX TAP BOLT	1
				54	PLT0022880	ADJUSTMENT PIN PLATE	1

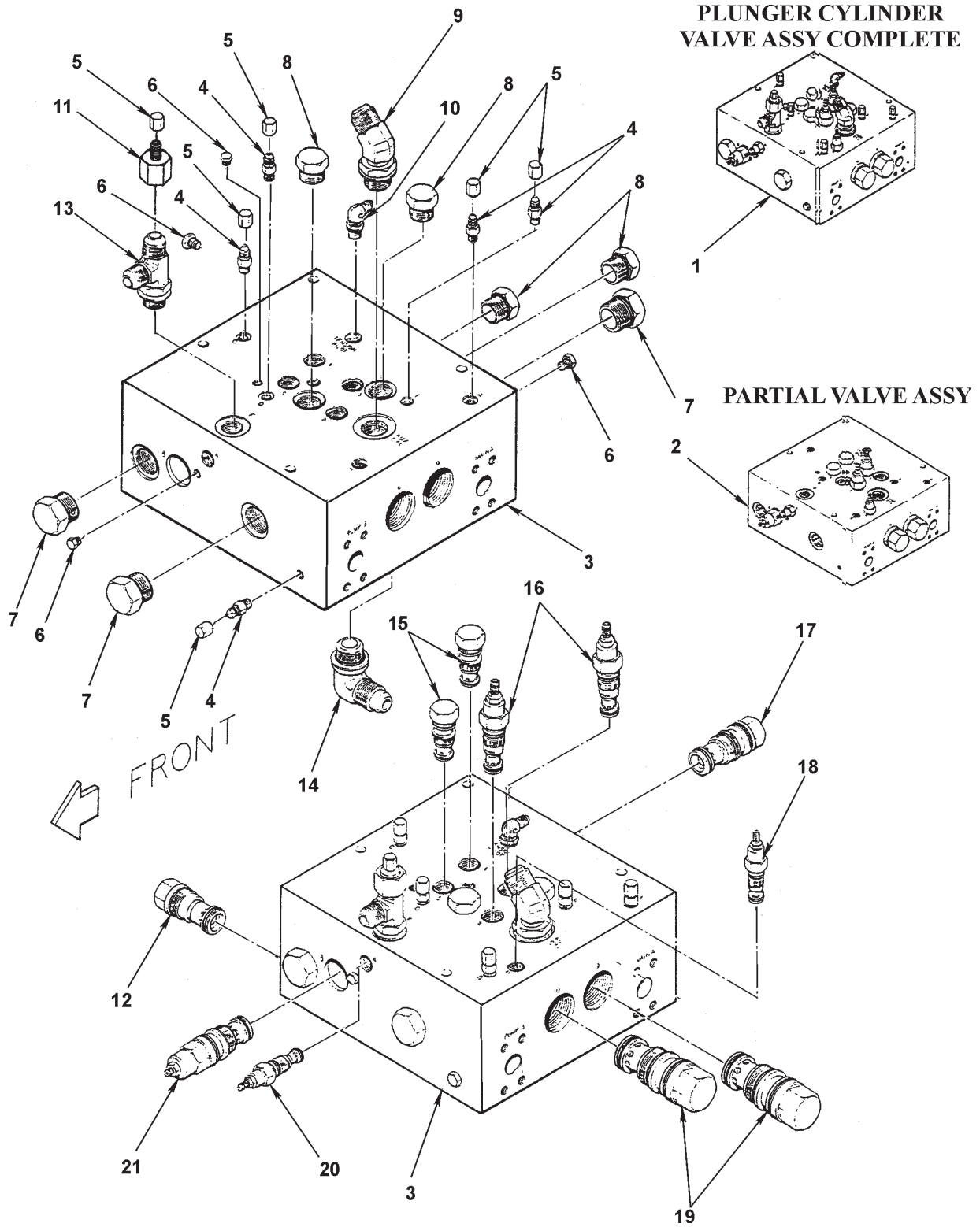
MAIN SYSTEM HYDRAULICS ASSEMBLY



MAIN SYSTEM HYDRAULICS ASSEMBLY

REF NO.	PART NO.	DESCRIPTION	QTY. USED	REF NO.	PART NO.	DESCRIPTION	QTY. USED
1	MTR1091104	MOTOR 40000 HP	1	47	HOS0035162	HOSE- PUMP SUCTION	1
	SEL0061236	FRONT SEAL KIT	A/R	48	HYD5365051	ELB 1-1/2 JIC X 1-1/2 O-RING 45 DEG.	1
	SEL0061234	REAR SEAL KIT	A/R	49	PMP3301972	DUAL PUMP, MAIN	1
2	HYD5315060	CONN. 3/4 JIC X 3/4 O-RING STR THD	2		SEL0600652	SEAL KIT	A/R
3	MNT0505622	MOUNT-SOLENOID VALVE	1	50	RNG0000045	O-RING- MECHANICAL DRIVE PUMP	1
4	HOS036689A	FEEDER VLV TO FEEDER MOTOR HOSE	2	51	PMP0000090	PUMP-SERIES 90	1
5	HYD5129020	1/4" JIC CAP	1	52	FIL8800200	FILTER MANIFOLD	1
6	VLV0000062	SOLENOID VALVE 4 WAY 3 POS 12VDC	1	53	FIL0164056	FILTER FOR PUMP	1
	VLV0000034	RELIEF VLV CART,53GPM,6000 PSI	1	54	HYD5315043	CONN. 1/2 JIC X 3/8 O-RING STR THD	1
	VLV0000035	VALVE SUBPLATE,	1	55	HYD5315023	CONN. 1/4 JIC X 3/8 O-RING STR THD	1
7	HYD5706060	3/4" JIC SWIVEL RUN TEE	1	56	PMP1111002	PUMP CONTROLLER	1
8	HYD5015062	3/4 TO 1/4 JIC TUBE REDUCER	1	57	HYD5716060	RUN TEE 3/4 JIC X 3/4 MALE	2
9	HYD5315060	3/4 JIC X 3/4 O-RNG ST THD CONN	4	58	HYD5315121	CONN. 1-1/2 JIC X 1-1/4 O-RING	1
10	HOS0032166	FEEDER MANIFOLD PRESSURE HOSE	1	59	HOS0023488	HOSE-PUMP SUCTION	1
11	HOS0032167	HOSE PMP-FDR VLV PRESSURE PORT	1	60	DPT0018751	PUMP PILOT ADAPTER	1
12	FLG0001501	FLANGE KIT	2	61	HOS0015874	HOSE-PLUNGER CYLINDER	1
13	HOS0016649	HOSE-RETURN FEEDER VALVE	1	62	17951	NIPPLE 3/4 X 1/2 NPT STEEL HEX	1
14	HOS0024980	HOSE-PRESSURE RETRACE	1	63	VLV1312YCF	DUMP VALVE	1
15	HOS0023451	HOSE-LH MAKE UP CYLINDER BASE	1	64	VLVCFAXCN	RELIEF VALVE	1
16	HYD5924080	BULKHEAD NUT 1"	3	65	VLVCOFAXAN	RELIEF VALVE	1
17	WIS0012500	WASHER 1-5/16 INTERNAL STAR PLTD	3	66	229345	PLUG 1/2 O-RING HEX HD PLTD	1
18	HYD5275080	CONN. 1" JIC X 1" NPT FML BULKHEAD	3	67	209805	CONN. 1/2 JIC X 1/2 O-RING STR THD	1
19	HYD5205070	CONN.1" JIC X 1" NPT MALE	3	68	HYD3959060	CROSS 3/4 STEEL PIPE	1
20	HOS0024984	HOSE-LEFT MAKE UP CYLINDER 54"	1	69	HYD3269044	ADAPTER 1/2 O-RING X 1/2 NPT FMLE	1
21	HOS0024887	HOSE-PLUNGER CYLINDER	1	70	HYD3249060	ADAPTER 3/4 O-RING X 3/4 NPT MLE	1
22	FLG0001501	1" SPLIT FLG W/O RING & BOLT KIT	5	71	209488	ELBOW 1/2 JIC X 1/2 O-RING 90 DEG.	1
23	VLV0013120	PLUNGER CYL. VALVE ASSY COMP.	1	72	218584	REDUCER 1/2 JIC X 1/4 JIC	1
24	HOS0028188	HOSE-CONTR. VLV TO 10 PRES GAUGE	1	73	212763	NUT3/8 JIC	1
25	HYD5255022	CONN. 1/4 JIC X 1/4 NPT FMLE	1	74	HOS0022137	HOSE-CONTRL VALVE TO DUMP VALVE	1
26	HYD0010000	PULSATION DAMPENER F/23350	1	75	21205	NIPPLE 1 NPT X 3/4 NPT STEEL HEX	1
27	HYD3409020	STREET ELBOW 1/4 X 90 DEG.	1	76	209506	BUSHING 3/4 NPT X 1/2 NPT STEEL	1
28	HOS0024973	HOSE-PLUNGER VALVE	1	77	HYD5755444	RUN TEE 1/2 JIC X 1/2 NPT MALE	1
29	TBE0024975	TUBE-PLUNGER VLV-BULKHEAD	1	78	215515	CAP 1/2 JIC	1
30	HYD3069070	BUSHING 1" NPT HEX STEEL	2	79	BKT0024954	ACCUM. DUMP VALVE BRACKET	1
31	HYD3709070	PIPE TEE 1" FEMALE STEEL	1	80	CLP0022217	ACCUMULATOR CLIP 1/2 GREER	1
32	HOS0023452	HOSE-RIGHT MAKE UP CYLINDER	1	81	ACM0800087	ACCUMULATOR 1 GAL CHARGED	1
33	TBE0023719	TUBE-FRONT TENSION PILOT	1	82	HOS0016624	HOSE-VALVE MANIFOLD PILOT	1
34	HYD5525030	ELB 3/8" JIC X 90 DEG. BLKHD UNION	1	83	CLP0022216	ACCUMULATOR CLIP 1/2 GREER	1
35	WIS0005625	WASHER 9/16 INTERNAL STAR PLTD	1	84	CLP7701164	1-1/4 INSULATED HOSE CLAMP	1
36	HYD5924030	BULKHEAD NUT 3/8	1	85	CLP7701163	1" INSULATED HOSE CLAMP	1
37	VLV0000453	CHECK VALVE	1	86	BKT0023472	HOSE SUPPORT BRCKT TENS CONTRL.	1
38	SCC0030020	BOLT 3/8 NE X 7 GRD 5 HEX PLTD	4	87	MNT0015856	ACCUMULATOR MOUNT	1
39	HOS0024889	HOSE-PLUNGER CYLINDER ROD END	1	88	224964	FITTING; MC-G12-S	1
40	HOS0025040	HOSE-PUMP CASE DRAIN-CK & RLF	2	89	243161	HOSE ASSY;*, 31-AE4-4-84	1
41	HOS0023460	HOSE-ACCUMULATOR DISCHARGE	1	90	241590	HOSE ASSY	1
42	CLR21133S1	OIL COOLER	1				
43	HOS0023435	HOSE-FEED KNOTTER MNFLD RETURN	1				
44	F 0006675	CONN. 3/4" JIC X 1" NPT MALE	2				
45	HOS036693A	HOSE-OIL COOLER BYPASS	1				
46	HOS0020543	HYDRAULIC HOSE	1				

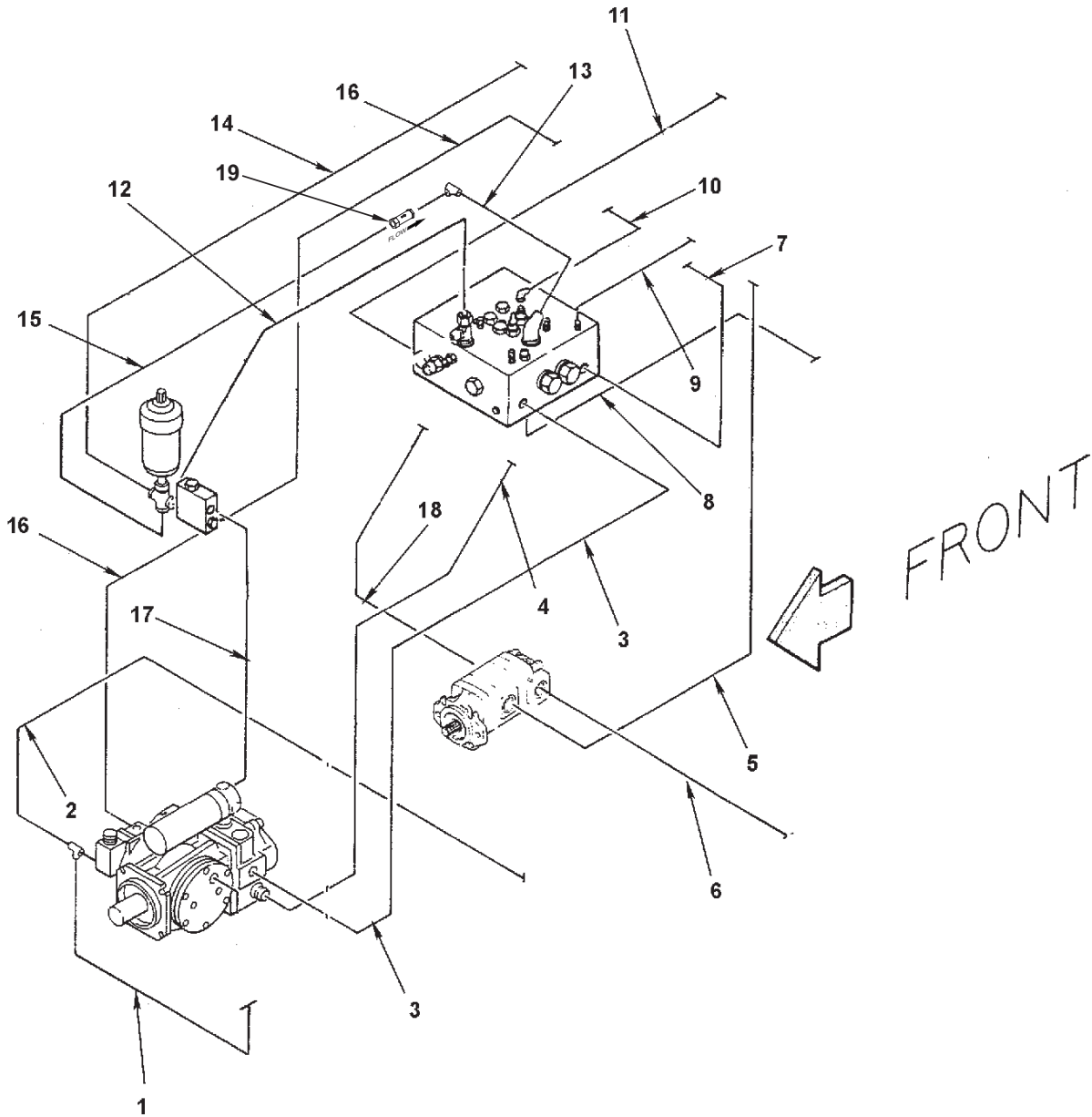
PLUNGER CYLINDER VALVE ASSEMBLY



PLUNGER CYLINDER VALVE ASSEMBLY

REF NO.	PART NO.	DESCRIPTION	QTY. USED
1	VLV0013120	PLUNGER CYL. VALVE ASSY COMP.	1
	KIT0013120	SEAL KIT-PLUNGER CYL. VALVE	1
2	VLV0028071	PLUNGER CYL. VALVE W/O FITTINGS	1
3	VLV1312000	PLUNGER CYL. VALVE BODY	1
4	209083	CONN. 6M O-RING X 4M JIC STR	5
5	HYD5129020	CAP 1/4 JIC	6
6	HYD7237020	PLUG 6M	5
7	HYD7237080	PLUG 16M	3
8	HYD7237060	PLUG 12M	4
9	HYD5365080	ELBOW 16M O-RING X 16M JIC 45 DEG.	1
10	HYD5515030	ELBOW 6M JIC X 6M ADJ. 90 DEG.	1
11	HYD5105062	CONN. 12F JIC X 4M JIC STR	1
12	VLVCXHAXCV	CHECK VALVE CARTRIDGE	1
	SEL0002006	SEAL KIT-CHECK VALVE CARTRIDGE	1
13	HYD5716060	TEE 12 JIC X 12M ADJ. STR THD	1
14	HYD5515070	ELBOW 16M X 16M JIC 90 DEG.	1
15	VLVLKFCXDV	SUN LOGIC CARTRIDGE #5	2
	SEL0002006	SEAL KIT-SUN LOGIC CARTRIDGE	2
16	VLVRPGCLCV	RELIEF VALVE CARTRIDGE	2
	SEL0003006	SEAL KIT-RELIEF VALVE CARTRIDGE	2
17	VLVCOHBFV	PILOT CLOSE CHECK CARTRIDGE	1
	SEL0017006	SEAL KIT-PILOT CLOSE CHECK CART.	1
18	VLVNCCBLV	NEEDLE VALVE CARTRIDGE	1
	SEL0010006	SEAL KIT-NEEDLE VALVE CARTRIDGE	1
19	VLVLKJCXDV	LOGIC VALVE CARTRIDGE	2
	SEL0019006	SEAL KIT-LOGIC VALVE CARTRIDGE	2
20	VLVRPECLQV	RELIEF VALVE CARTRIDGE	1
	SEL0010006	SEAL KIT-RELIEF VALVE CARTRIDGE	1
21	VLVCBGYLHV	COUNTERBALANCE VALVE	1
	SEL0017006	SEAL KIT-COUNTERBALANCE VALVE	1

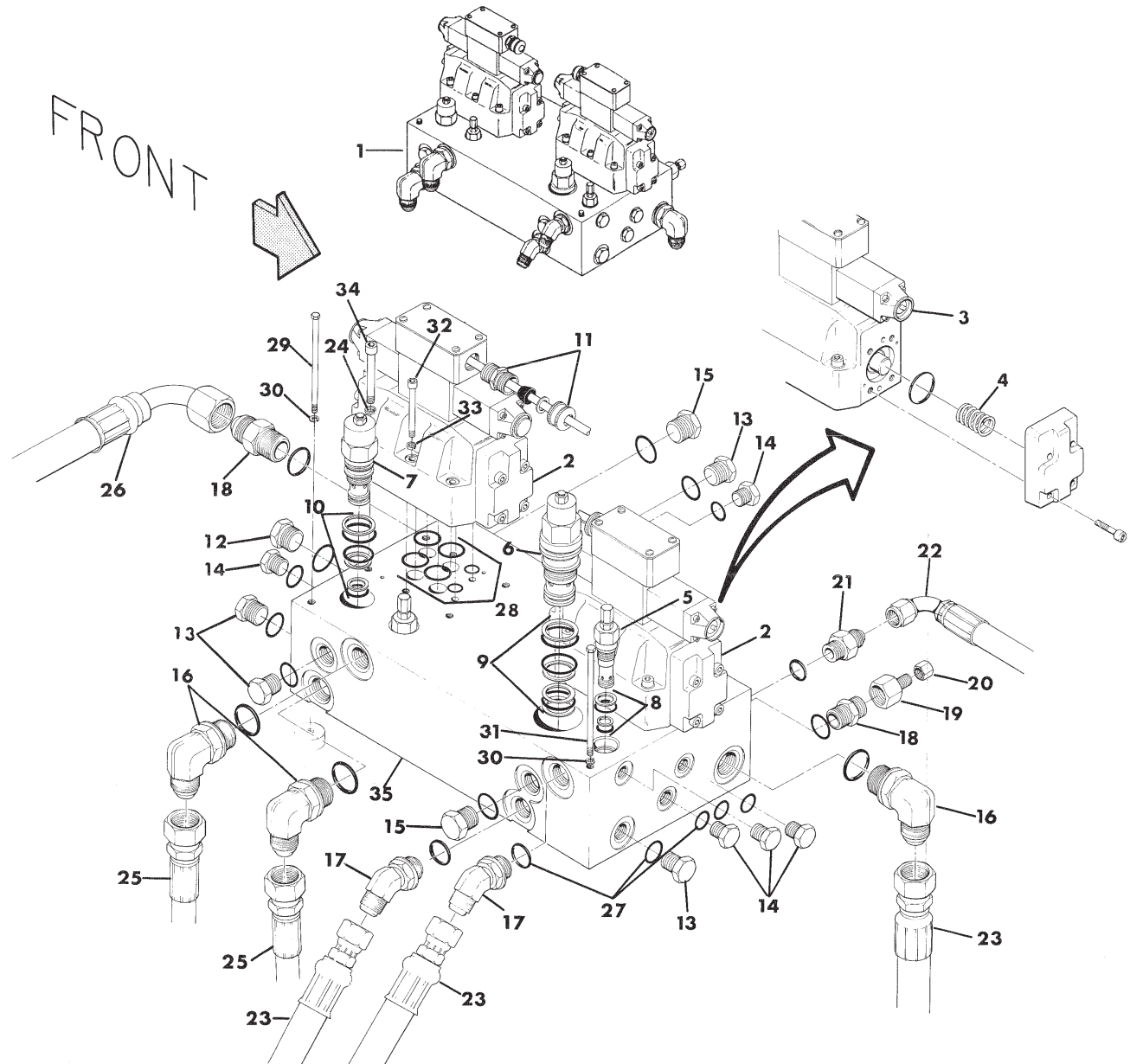
MAIN SYSTEM HOSE ASSEMBLIES



MAIN SYSTEM HOSE ASSEMBLIES

REF NO.	PART NO.	DESCRIPTION	QTY. USED
1	HOS036693A	OIL COOLER BYPASS HOSE	1
2	HOS0025040	HOSE-PUMP CASE DRAIN-CK & RLF	2
3	HOS0024980	HOSE-PRESSURE RETRACE	1
4	HOS0023488	HOSE-PUMP SUCTION	1
5	HOS0032166	FEEDER MANIFOLD PRESSURE HOSE	1
6	HOS0032167	PUMP-FEEDER VALVE PRES PORT	1
7	HOS0024887	HOSE-PLUNGER CYLINDER	1
8	HOS0024984	HOSE-LEFT MAKE UP CYLINDER 54"	1
9	HOS0028188	HOSE-CONT. VAL TO 10M PRESS. GAG	1
10	TBE0024975	TUBE-PLUNGER VALVE PILOT	1
11	HOS0024889	HOSE-PLUNGER CYLINDER ROD END	1
12	HOS0022137	HOSE-10M PRESSURE GAUGE	1
13	HOS0024973	HOSE PLUNGER VALVE BULKHEAD	1
14	HOS0016624	HOSE-VALVE MANIFOLD PILOT	1
15	HOS0023460	HOSE-ACCUMULATOR DISCHARGE	1
16	HOS0015874	HOSE-PLUNGER CYLINDER	1
17	HOS0020543	HOSE-ACCUMULATOR CHARGE	1
18	HOS0035162	COMMERCIAL PUMP SUCTION HOSE	1
19	VLV0000453	CHECK VALVE-	1

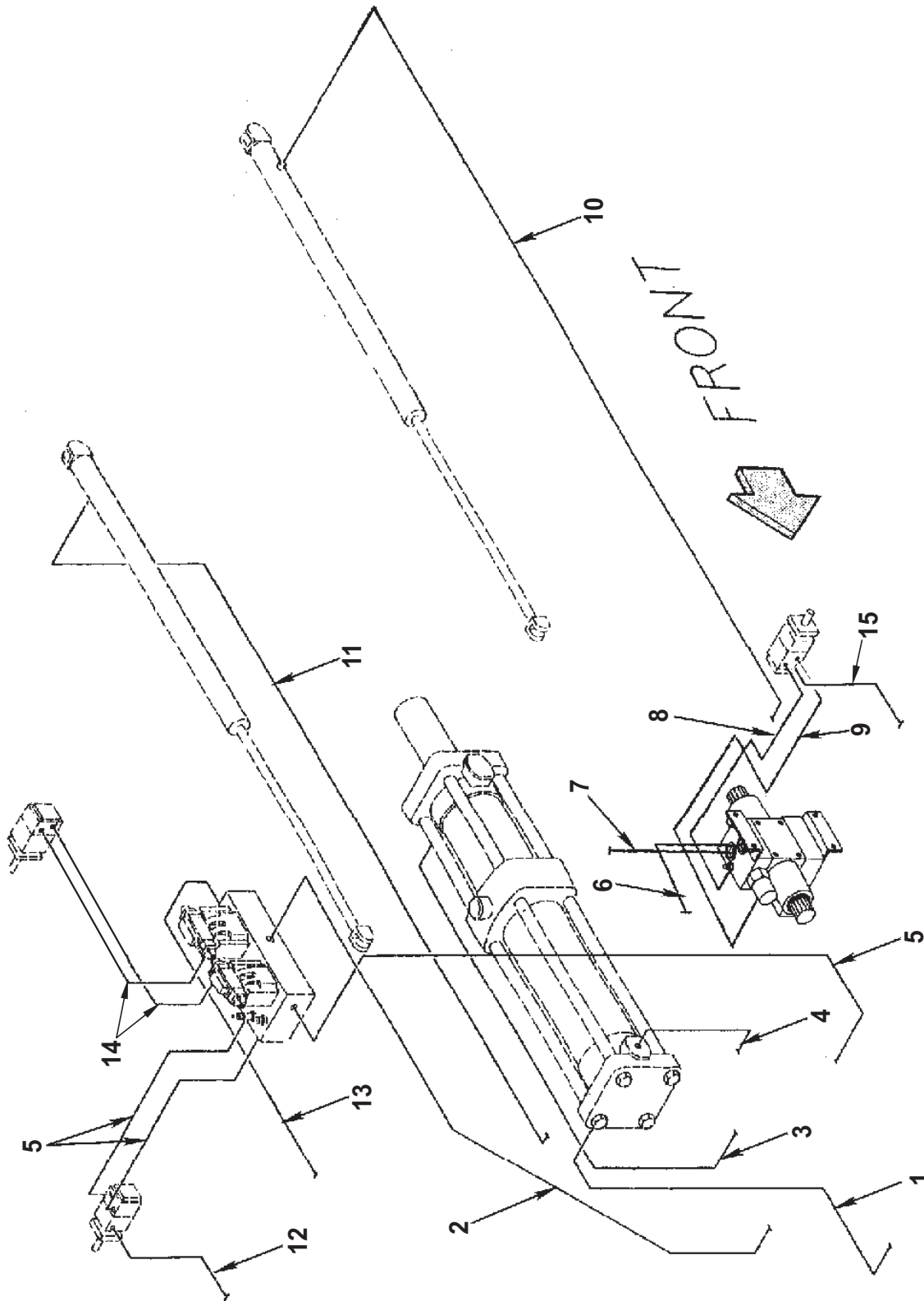
KNOTTER AND FEED FORK MANIFOLD VALVE/HOSE ASSEMBLIES



KNOTTER AND FEED FORK MANIFOLD VALVE/HOSE ASSEMBLIES

REF NO.	PART NO.	DESCRIPTION	QTY. USED	REF NO.	PART NO.	DESCRIPTION	QTY. USED
1	VLV1730401	VALVE-KNOTTER/FEED COMPLETE	1	18	HYD5315060	CONN. 12M O-RING X 12M JIC STR	2
2	VLV0000416	VALVE-RESERVOIR	2	19	HYD5015062	CONN. 12F JIC X 4M JIC STR	1
3	COI0035G12	SOLENOID COIL 12 VDC	4	20	HYD5129020	CAP 1/4 JIC	1
	KIT046J515	SEAL KIT F/VLV046J515	1	21	HYD5315043	CONN. 1/2 JIC X 3/8 O-RING STR THD	1
	VLV046J515	VALVE	2	22	HOS0016624	HOSE-VALVE MANIFOLD PILOT	1
4	SPG0011549	RETURN SPRING	4	23	HOS0023438	HOSE-FEED FORK MOTOR	2
5	VLV0000026	RELIEF VALVE CARTRIDGE	3	24	WAS0000107	3/8 HIGH COLLAR LOCKWASHER	8
6	VLV1592CBG	COUNTER BALANCE VALVE	1	25	HOS0016631	HOSE ASSY	2
7	VLV1592CBE	COUNTER BALANCE VALVE	1	26	19147	HOSE ASSY	1
8	KIT0991010	SEAL KIT F/VLV0000026	1	27	KIT0000017	O-RING SEAL KIT F/VLV17304	1
9	KIT0000013	SEAL KIT F/VLV1592CBG	1	28	KIT0000010	SEAL KIT FOR VLV0000416	1
10	229050	KIT, SEAL	1	29	R13801824	CAPSCREW; 3/8 NC X 4 1/2 GR8 HX ZY	2
11	CNR0000194	3/8 TO 1/2 CONNECTOR	2	30	WLK0000375	WASHER, LOCK; 3/8 REG HEL SPR ZC	3
12	HYD7237060	HEX HD PLUG 3/4 O-RING PLTD	1	31	SCC0030016	HEX HD CS NC 3/8 X 5	1
13	HYD7237040	HEX HD PLUG 1/2 O-RING PLTD	4	32	SCS0000107	SOCKET HEAD CS NC 1/4 X 2-1/4	4
14	HYD7237030	HEX HD PLUG 3/8 O-RING PLTD	5	33	WAS0000025	1/4 HIGH COLLAR LOCKWASHER	4
15	HYD7237050	HEX HD PLUG 5/8 O-RING PLTD	2	34	SCS0000307	SOCKET HEAD CS NC 3/8 X 2-1/4	8
16	HYD5515060	ELBOW 3/4 JIC X 3/4 O-RING 90 DEG	3	35	VLV0017304	FEEDER VALVE MANIFOLD BODY ONLY	1
17	HYD5365060	ELBOW 12M JIC X 12M ADJ 45 DEG	2				

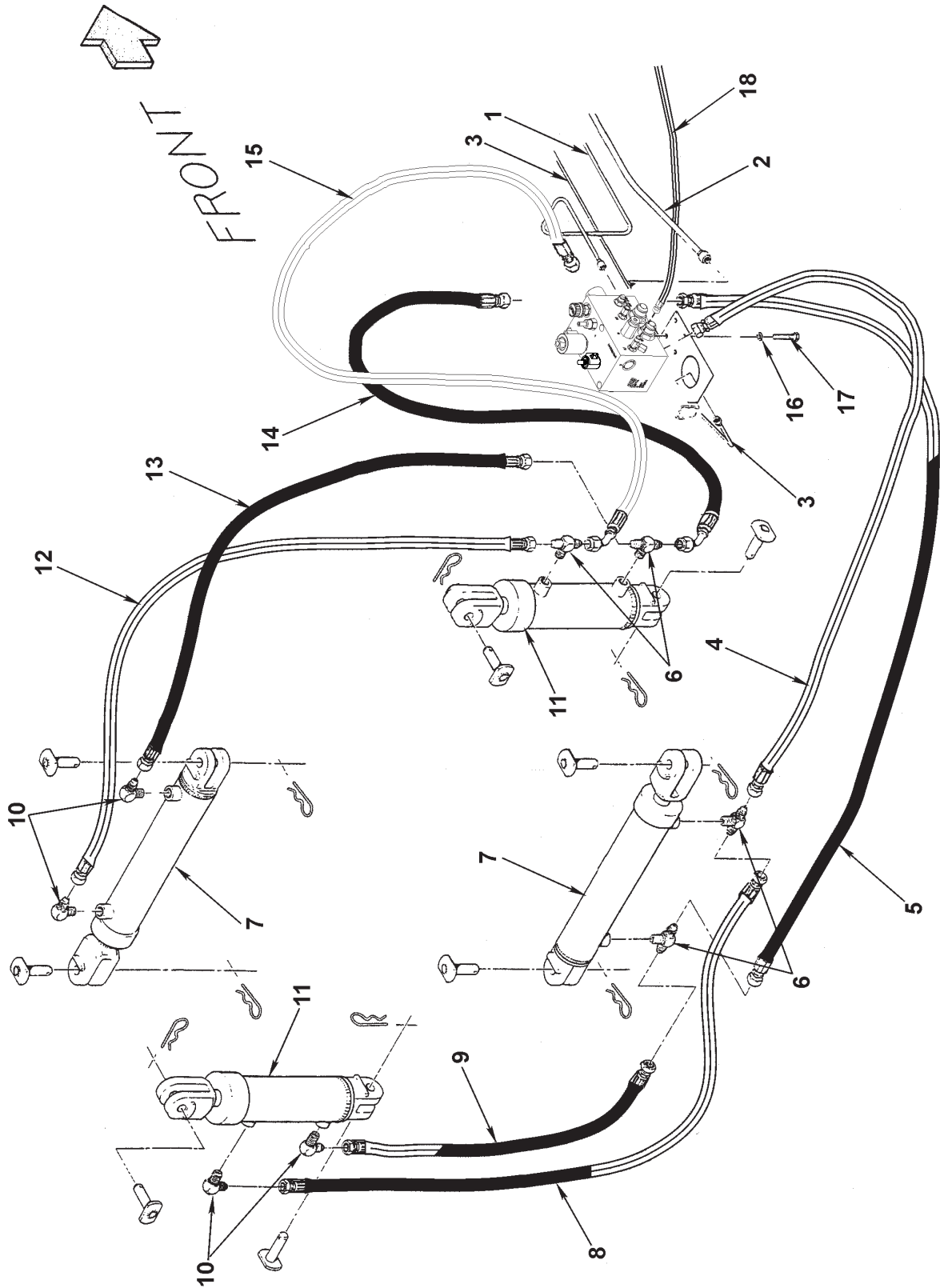
PLUNGER, FEEDER AND KNOTTER HOSE ASSEMBLIES



PLUNGER, FEEDER AND KNOTTER HOSE ASSEMBLIES

REF NO.	PART NO.	DESCRIPTION	QTY. USED
1	HOS0015874	HOSE-PLUNGER CYLINDER	1
2	HOS0016624	HOSE-VALVE MANIFOLD PILOT	1
3	HOS0024889	HOSE-PLUNGER CYLINDER ROD END	1
4	HOS0024887	HOSE-PLUNGER CYLINDER	1
5	HOS0032166	HOSEFEEDER MANIFOLD PRESSURE	1
6	HOS0032167	HOSE-FEEDER VALVE SUPPLY	1
7	HOS0016649	HOSE-RETURN FEEDER VALVE	1
8	HOS036689A	HOSE FEEDER VLV TO FEEDER MOTOR	1
9	HOS036689A	HOSE FEEDER VLV TO FEEDER MOTOR	1
10	HOS0023451	HOSE-LH MAKE UP CYLINDER BASE	1
11	HOS0023452	HOSE-RH MAKE UP CYLINDER BASE	1
12	HOS0023455	HOSE-FEED MOTOR CASE DRAIN	1
13	HOS036692A	HOSEKNOTTER MANIFOLD TANK PORT	1
14	HOS0016631	HOSE-KNOTTER DRIVE	2
15	243161	HOSE ASSY,*; 31-AE4-4-84	1

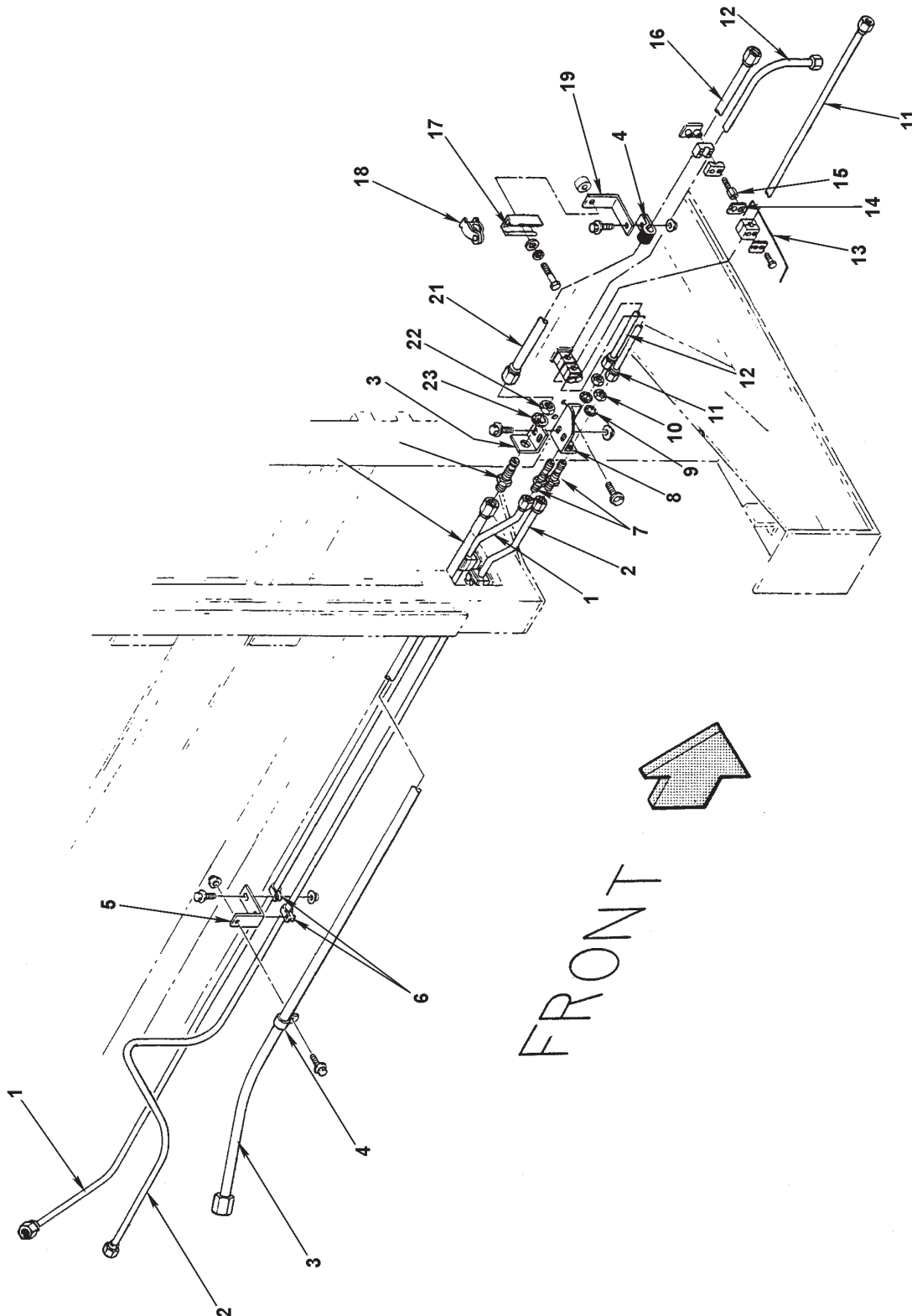
TENSION CONTROL HOSE ASSEMBLIES



TENSION CONTROL HOSE ASSEMBLIES

REF NO.	PART NO.	DESCRIPTION	QTY. USED
1	HOS036700A	HOSE TENSION MANIFOLD SUPPLY	1
2	HOS036699A	HOSE TENSION MANIFOLD RETURN	1
3	HOS036698A	HOSE TENSION MAN TO RH CYL RET	1
4	HOS036694A	HOSE TENSION MAN TO BOT CYL. SUP	1
5	HOS036695A	TEN MANIFOLD TO BOT CYL.RET HOSE	1
6	HYD5605060	BRNCH TEE 3/4 M X 12M JIC X 12 M JIC	4
7	CYL0TC3516	CYLINDER TC	2
8	HOS0020947	HOSE-TC STYLE TENS CYL	1
9	HOS0020948	HOSE-TC STYLE TENS CYL	1
10	HYD5405060	3/4 JIC X 3/4 NPT M 90 ELBOW	4
11	CYL00TC408	CYLINDER TC 4 X 8 MODIFIED	2
12	HOS0015761	HOSE TENS CONTROL CYL	1
13	HOS0015762	HOSE TENS CONTROL CYL	1
14	HOS036696A	TEN MANIFOLD TO RH CYL RET HOSE	1
15	HOS036697A	TEN MANIFOLD TO RH CYL SUP HOSE	1
16	WLKM100120	WASHER 12MM LOCK	2
17	SCCM112065	BOLT 12-8.8MM C 65MM HEX PLTD	2
18	HOS036701A	HOSE TENSION PRESSURE GAUGE	1

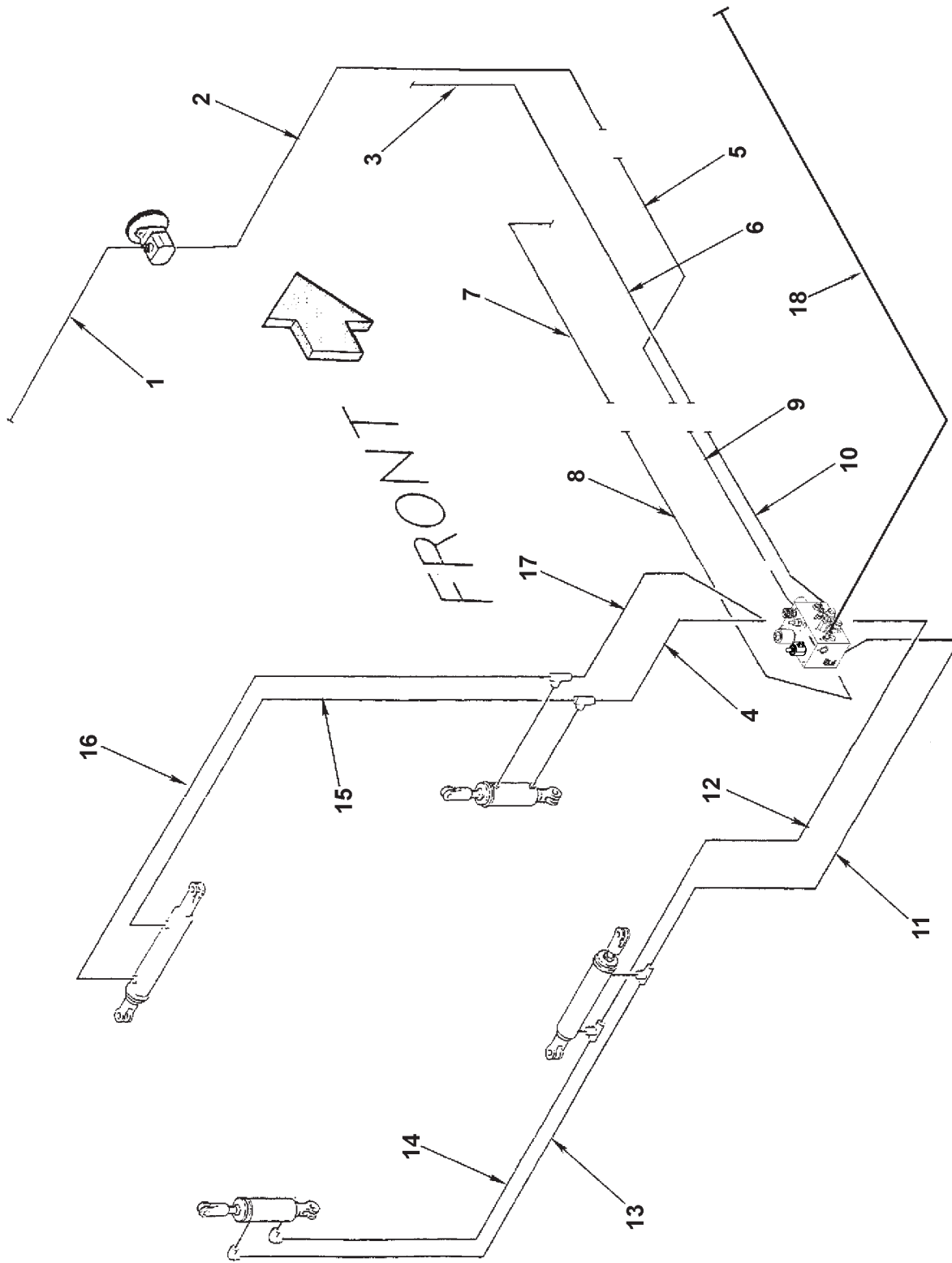
TENSION CONTROL TUBE ASSEMBLIES



TENSION CONTROL TUBE ASSEMBLIES

REF NO.	PART NO.	DESCRIPTION	QTY. USED	REF NO.	PART NO.	DESCRIPTION	QTY. USED
1	HOS036698A	HOSE TENSION MAN PILOT PRESSURE	1	14	PLT10951SP	SAFETY PLATE	2
2	HOS036700A	HOSE TENSION MANIFOLD SUPPLY	1	15	SMS10951SP	BOLT STACK	4
3	HOS036699A	HOSE TENSION MANIFOLD RETURN	1	16	TBE0023717	TUBE-FRONT TENSION RETURN	1
4	CLP7701158	HOSE CLAMP	2	17	MNT0020255	UNISTRUT CHANNEL	1
	SMS0000172	BOLT 1/4 X 3/4 NC WHIZ PLD	2		WCT0000375	WASHER 3/8 FLAT	1
	NMS0000250	NUT 1/4 NC FLG WHIZ	2		WLK0000375	WASHER 3/8 S/T LOCK	1
5	BKT0031949	TENSION RETURN TUBE ANCHOR BKT	1		SCC0030002	BOLT 3/8-16 X 1 GRD 5 HEX	1
	SMS0000172	BOLT 1/4 X 3/4 NC WHIZ PLD	1	18	CLP0100150	1-1/2 HYDRA ZORB CLAMP	1
	NMS0000250	NUT 1/4 NC FLG WHIZ	1	19	BKT0031949	TENSION RETURN TUBE ANCHOR BKT	1
6	CLP7701154	INSULATED HOSE CLAMP	2		SMS0000184	BOLT 5/16-18 X 3/4 FLG WHIZ	1
7	HYD5325030	BULKHEAD UNION 3/8 JIC	2		NMS0000117	NUT 5/16 NC FLG WHIZ LOCK	1
8	BKT0018160	BULKHEAD BRACKET 3/8	2	20	HYD5924050	BULKHEAD NUT 5/8	1
	SMS0000184	BOLT 5/16-18 X 3/4 FLG WHIZ	2	21	WIS0007500	WASHER 3/4 INT. STAR	1
9	WIS0005625	WASHER 9/16 INT STAR PLTD	2	22	BKT0018013	BULKHEAD BRACKET 5/8 TUBE	1
10	HYD5924030	BULKHEAD NUT 3/8	2		SMS0000184	BOLT 5/16-18 X 3/4 FLG WHIZ	2
11	TBE0023718	TUBE-FRONT TENSION PRESSURE	1		NMS0000117	NUT 5/16 NC FLG WHIZ LOCK	2
12	TBE0023719	TUBE-FRONT TENSION PILOT	1	23	HYD5325050	BULKHEAD UNION 5/8 JIC	1
13	CLP0010951	CLAMP 3/8	6				
	SCC0010003	BOLT 1/4-20 X 1-1/4 GRD 5 HEX	8				

TENSION SYSTEM HOSE ASSEMBLIES

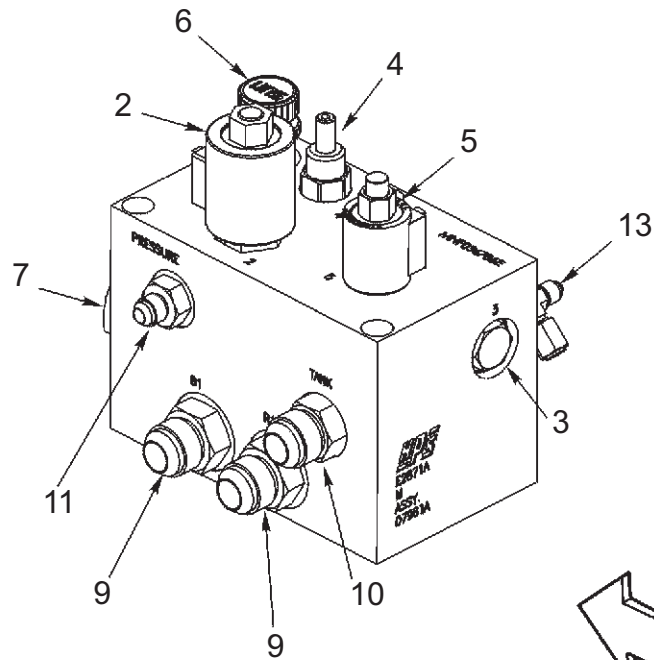
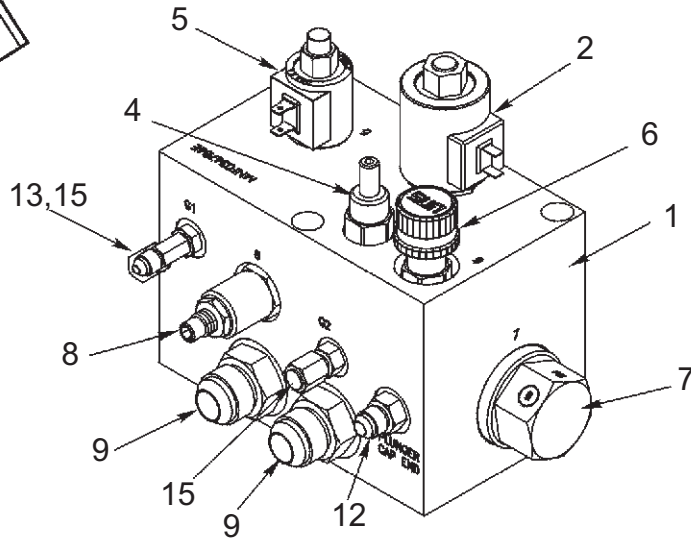


TENSION SYSTEM HOSE ASSEMBLIES

REF NO.	PART NO.	DESCRIPTION	QTY. USED
1	HOS0023494	HOSE-TENSION PUMP SUCTION	1
2	HOS036690A	HOSE TENSION PUMP	1
3	HOS0025038	HOSE-TENSION REGULATOR TO TANK	1
4	HOS036696A	TEN MANIFOLD TO RH CYL RET HOSE	1
5	TBE0023718	TUBE-FRONT TENSION PRESSURE	1
6	TBE0023717	TUBE-FRONT TENSION RETURN	1
7	TBE0023719	TUBE-FRONT TENSION PILOT	1
8	HOS036698A	TEN MANIFOLD TO RH CYL RET HOSE	1
9	HOS036700A	TENSION MANIFOLD SUPPLY HOSE	1
10	HOS036699A	TENSION MANIFOLD RETURN HOSE	1
11	HOS036694A	TEN MANIFOLD TO BOT CYL.SUP HOSE	1
12	HOS036695A	TEN MANIFOLD TO BOT CYL.RET HOSE	1
13	HOS0020947	HOSE-TC STYLE TENS CYL	1
14	HOS0020948	HOSE-TC STYLE TENS CYL	1
15	HOS0015762	HOSE TENS CONTROL CYL	1
16	HOS0015761	HOSE TENS CONTROL CYL	1
17	HOS036697A	TEN MANIFOLD TO RH CYL SUP HOSE	1
18	HOS036701A	TEN PRESSURE GAUGE HOSE	1

UNLOADER VALVE COMPONENTS

FRONT 

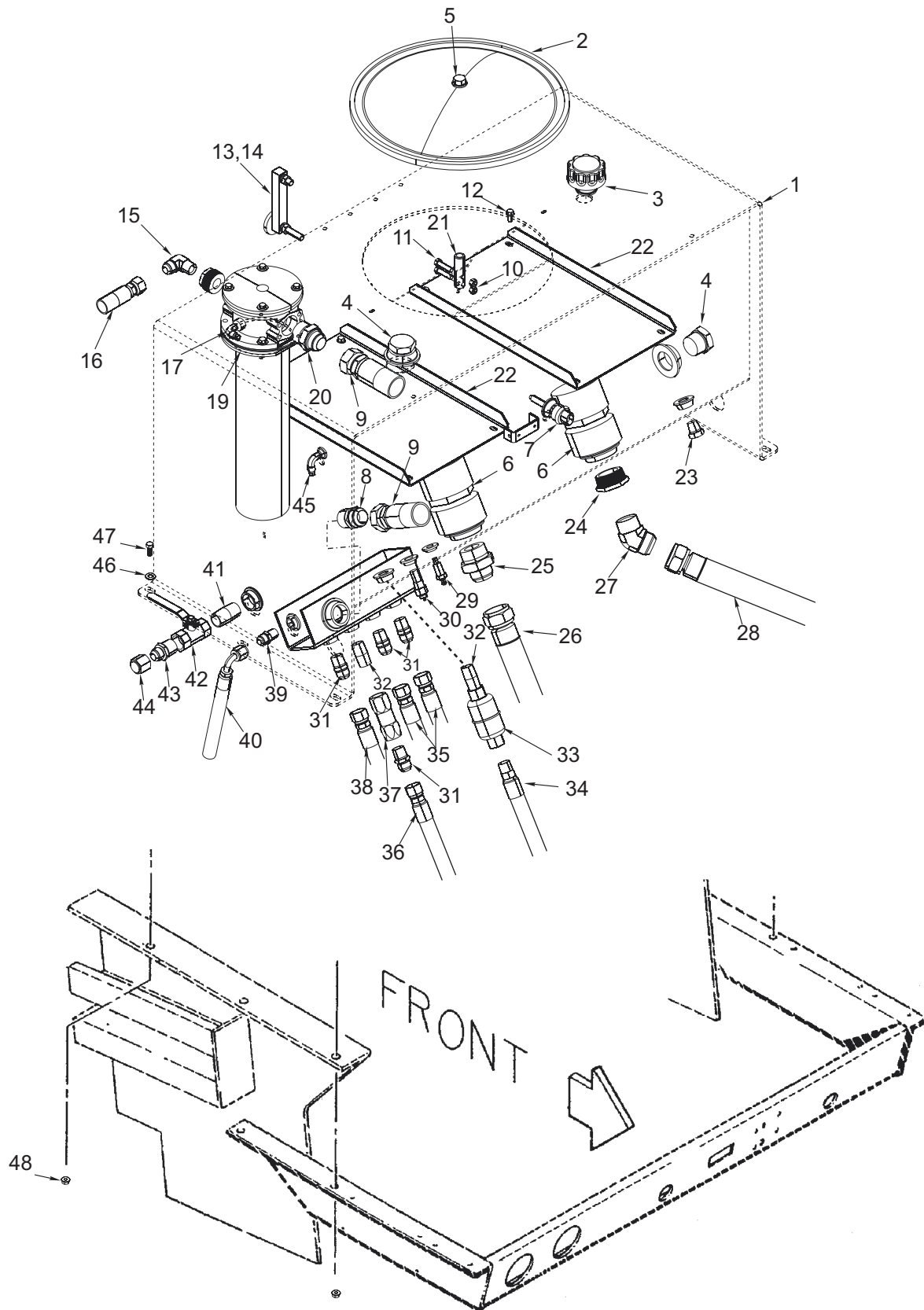


 FRONT

UNLOADER VALVE COMPONENTS

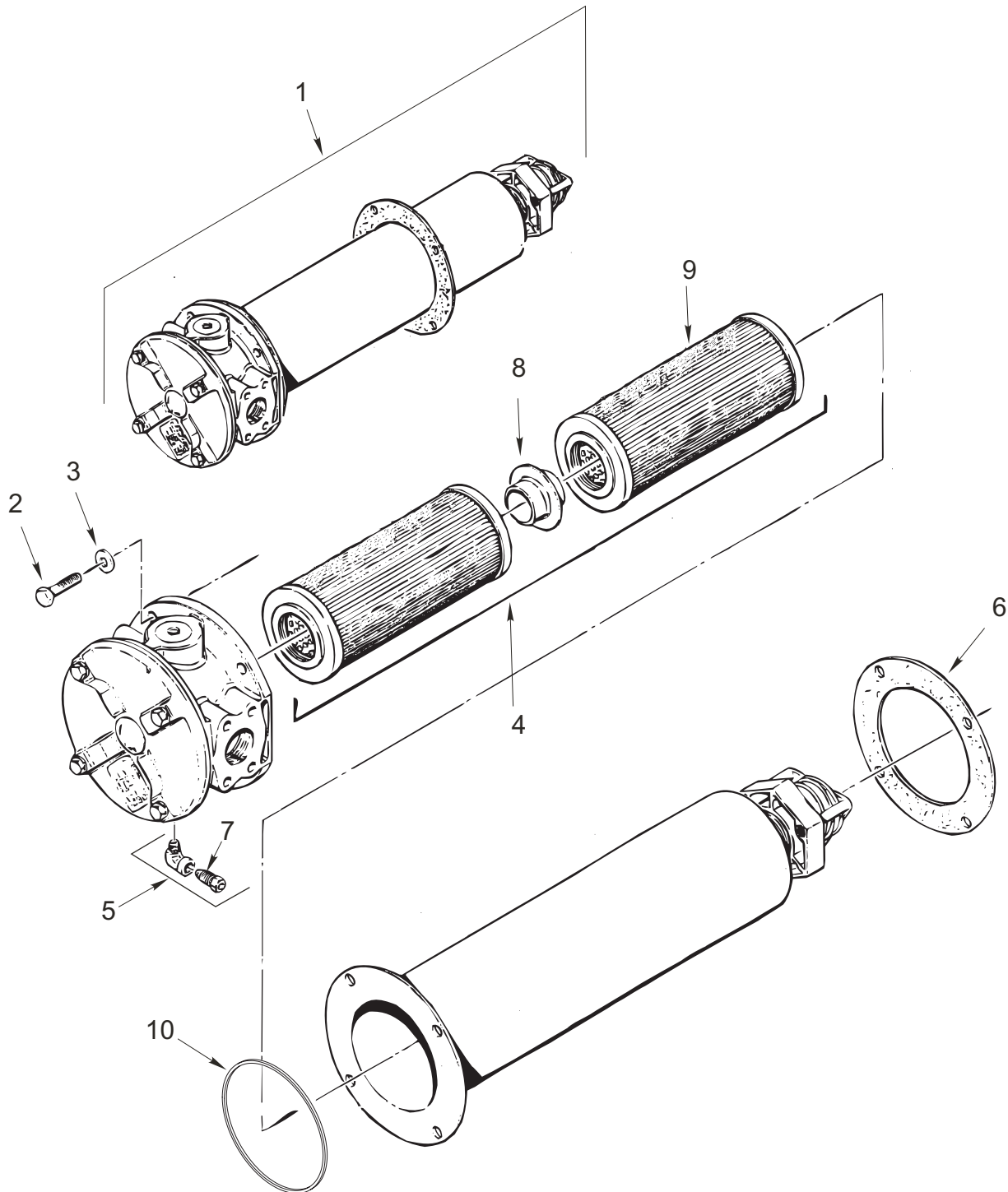
REF NO.	PART NO.	DESCRIPTION	QTY. USED
	MNF036786E	TENSION CONTROL MANIFOLD ASSY	
1	MNF036773D	TENSION VALVE MANIFOLD	1
2	VLV0000049	SPOOL VALVE, 2 WAY,NO,10 VDC	1
	VLV0000053	SPOOL VALVE CARTRIDGE	
	COI6351010	SOLENOID VALVE COIL, 10 VDC	
	SEL0000049	SEAL KIT FOR VLV000049	
3	VLV0000051	CHECK VALVE CARTRIDGE, 5 PSI	1
	SEL0000051	SEAL KIT FOR VLV0000051	
4	VLV0000044	DIRECTIONAL VALVE F/ MNF036773D	1
	SEL0000044	SEAL KIT FOR VLV0000044	
5	VLV0000063	TENSION CONTROL VALVE	1
	VLV0000064	TENSION VALVE CARTRIDGE	
	COI0000002	SOLENOID VALVE COIL, 12DC	
	SEL0000063	SEAL KIT F/VLV0000063	
6	VLV0000044	DIRECTIONAL VALVE, NC	1
	VLV0000056	DIRECTIONAL VALVE CARTRIDGE, NC	
	VLV0000055	VALVE ADJUSTING KNOB KIT	
	SEL0000045	SEAL KIT FOR VLV0000045	
7	VLV0000015	1592 TENSION CAVITY PLUG	1
	SEL0000028	SEAL KIT FOR VLV0000015	
8	VLV0000059	RELIEF VALVE	1
	SEL0000059	SEAL KIT FOR VLV0000059	
9	HYD5315060	3/4 JIC X 3/4 O-RING ST THD CONN	4
10	HYD5315065	3/4 JIC X 5/8 O-RING ST THD CONN	1
11	HYD5315034	3/8 JIC X 1/2 O-RING STR THREAD CON	1
12	HYD5315033	3/8 JIC X 3/8 O-RNG ST THD CONN	1
13	HYD5716020	1/4 TUBE 1/4 O-RING RUN TEE	1
14	HYD5315020	STR. THD. CONN., -4 ORING X -4 JIC	1
15	HYD5129020	1/4" JIC CAP	1

RESERVOIR ASSEMBLY



RESERVOIR ASSEMBLY

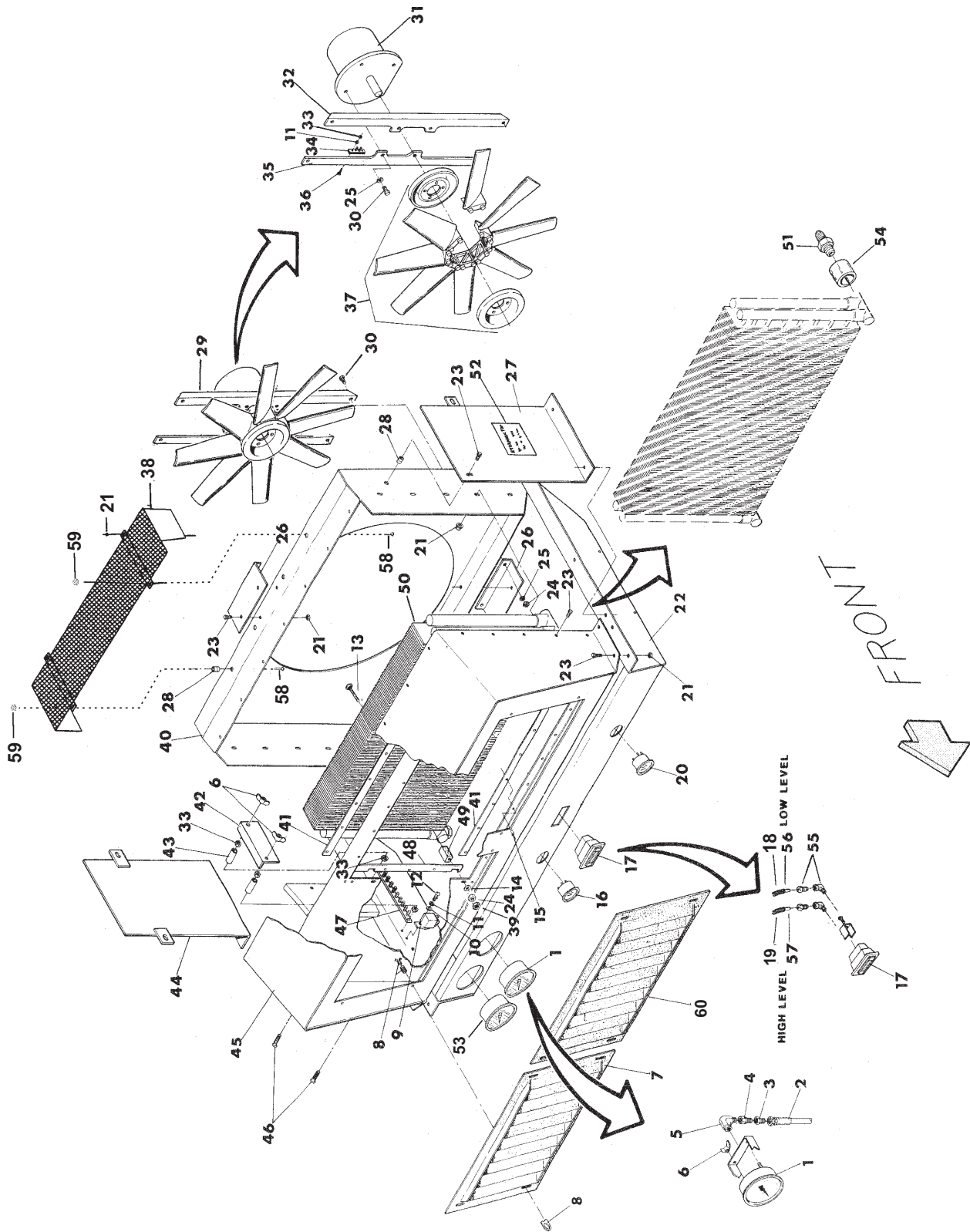
REF NO.	PART NO.	DESCRIPTION	QTY. USED	REF NO.	PART NO.	DESCRIPTION	QTY. USED
1	TNK037723E	TANK, HYDRAULIC OIL	1	22	BAF037731D	BAFFEL	2
2	CVR0000001	HYD TANK CLEAN-OUT COVER	1	23	HYD3159060	PIPE PLUG 3/4 HEX STEEL	1
	253183	LIP SEAL	1	24	PPE2001500	2 X1-1/2 STD BLK HEX BUSH	1
	082-0457	CRUSH WASHER	1	25	HYD5205092	1-1/2JIC X 2 NPT MALE CONN	1
3	FIL1731101	BREATHER FILTER, HYD TANK	1	26	HOS0035162	COMMERCIAL PUMP SUCTION HOSE	1
4	HYD3159022	PIPE PLUG 1-1/2 HEX STEEL	2	27	HYD5355121	1-1/2JIC X 1-1/2NPT 45*	1
5	SCC0070012	HEX HD CS NC 5/8 X 3-1/2 - PLATED	1	28	HOS0023488	HOSE, SUND. PUMP SUCTION	1
6	SCR3001592	SCREEN 3" SUCTION	2	29	ELC0000334	SENDING UNIT- HYD TEMP	1
7	SWI0000824	SWITCH - LIQUID LEVEL	1	30	THM0714326	220F TEMP WIRING HARNESS	1
8	HYD5205100	CONN 1-1/4 JIC 1-1/4 NPT M	1	31	HYD5205060	CONN. 3/4 JIC X 3/4 NPT M	4
9	HOS036702A	RETURN FILTER TO RET MANIFD HOSE	1	32	PPE0000750	3/4 CLOSE NIPPLE BLACK STEEL	2
10	SCC0030004	HEX CAP SCREW 3/8-16 X 1-1/2"GRD 5	2	33	FIL0000003	FILTER-SUCTION F/1592 TNS PUMP	1
11	NCE0000375	ESNA NUT 3/8-16 PLATED	2	34	HOS0023494	HOSE TENSION PUMP SUCTION	4
12	SMS0000184	WHIZ BOLT 5/16 X 3/4 NC-PLATED	8	35	HOS0025040	HOSE-RT PUMP CASE DRAIN-CHK VLV	2
	NCE0003125	ESNA NUT NC 5/16	8	36	HOS036693A	OIL COOLER BYPASS HOSE	1
13	GAG0064051	GAUGE-THERMOMETER SIGHT (INCLUDES 57 & 1	1	37	VLV0075005	CHECK VALVE 3/4 X 5LB	1
14	HYD7629040	1/2 O-RING	2	38	HOS0023435	FEED KNOTTER MANIFOLD RETN HSE	1
15	HYD5405060	3/4 JIC X 3/4 NPT 90* MALE ELB	2	39	HYD5205054	5/8 JIC X 1/2 NPT MALE CONN	1
16	HOS036692A	HOSE KNOTTER MANIFOLD TANK	1	40	HOS0025038	HOS-TENSION REGULATOR TO TANK	1
17	F 0001441	CONN 1/8NPT M X 1/4 ELBOW W/NUT	2	41	PPE0001000	1" CLOSE NIPPLE BLACK STEEL	1
18	HYD3109096	1-1/2 X 3/4 STEEL PIPE BUSHING	3	42	VLV0006001	VALVE 1" BALL BRASS	1
19	FIL0001592	FILTER	1	43	F000006675	3/4" JIC TO 1" ST FITTING	1
20	HYD5205120	1-1/4 JIC X 1-1/2 NPT CONNECT	1	44	HYD5129060	SENDING UNIT- HYD TEMP	1
21	DPT0004000	BAFFLE ADAPTER F/WE4A	1	45	F000001441	CONN 1/8 NPT M X 1/4 ELBOW W/NUT	6
				46	NCH00000500	HEX NUT 1/2 NC PLTD	6
				47	HOS0016649	HOSE-RETUN FEEDER VALVE	1

MAIN SYSTEM HYDRAULIC FILTER COMPONENTS

MAIN SYSTEM HYDRAULIC FILTER COMPONENTS

REF NO.	PART NO.	DESCRIPTION	QTY. USED
1	FIL0001592	FILTER - MAIN SYSTEM HYDRAULIC (INC 4 & 6)	
2	SCC0030004	BOLT 3/8-16 X 1-1/2 NC HEX PLTD	4
3	WAS0093781	THREAD SEALING WASHER	4
4	KIT003000	ELEMENT KIT (2 ELEMENT AND CONN)	1
5	F 0001441	CONN. 1/8 NPT M X 1/4 ELBOW W/NUT	1
6	GSK0000RG4	GASKET - FILTER HOUSING	1
7	F000008312	1/4 SLEEVE F/F1441	1
8	CNR0001997	CONNECTOR F/ FIL3000	1
9	FIL0003000	ELEMENT F/1592 MAIN HYD FILTER	2
10	RNG0000RG2	O-RING SQUARE	1

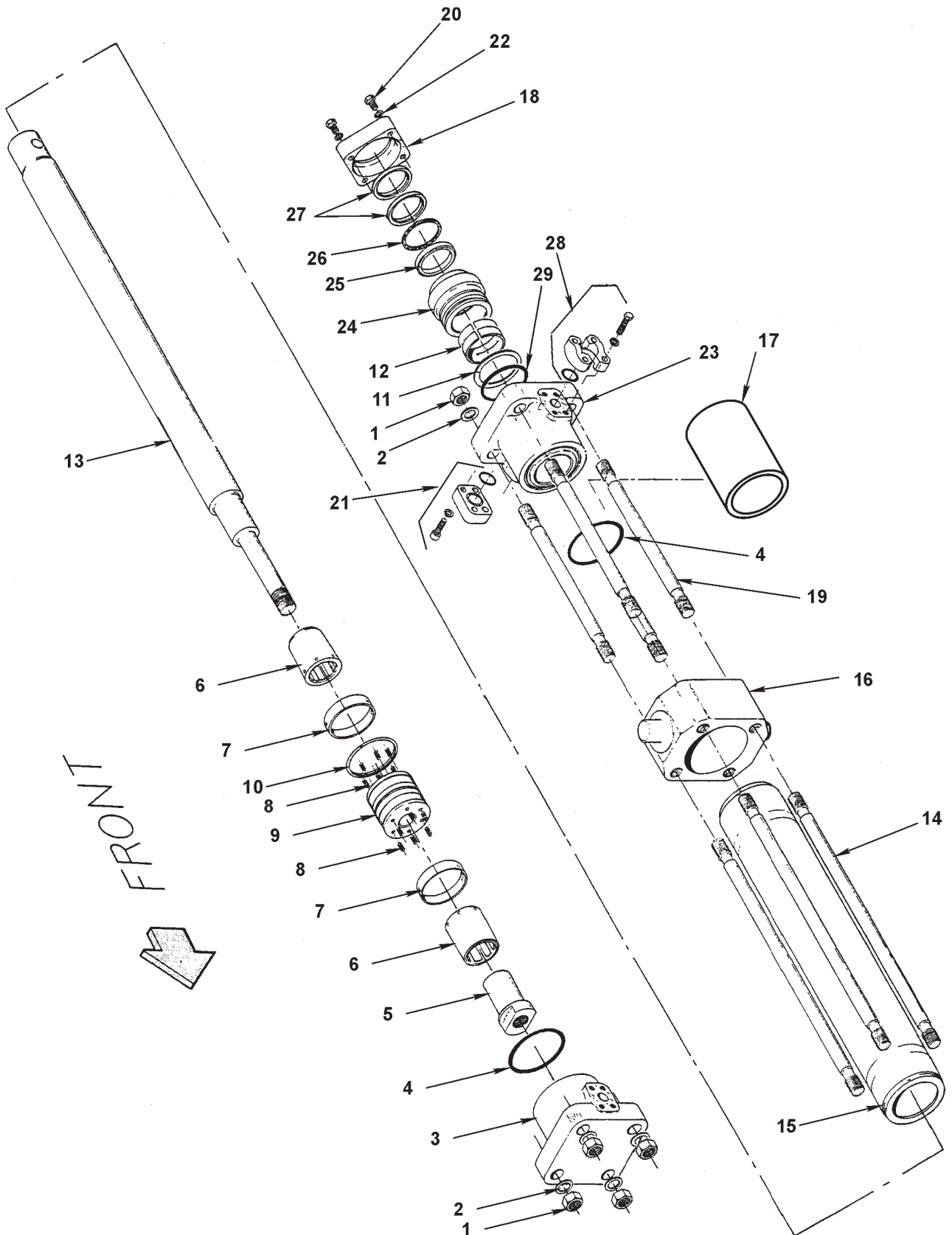
OIL COOLING SYSTEMS AND GAUGE PANEL ASSEMBLIES



OIL COOLING SYSTEMS AND GAUGE PANEL ASSEMBLIES

REF NO.	PART NO.	DESCRIPTION	QTY. USED	REF NO.	PART NO.	DESCRIPTION	QTY. USED
1	GAG2335010	GAUGE LIQ FILL HYD 10000 PSI 4"	1	32	SUP0233771	RIGHT OIL COOLER FAN MTR MOUNT	1
2	HOS0022137	10M PRESSURE GAUGE HOSE	1		SUP0233770	LEFT OIL COOLER FAN MTR MOUNT	
3	HYD5255022	FITTING 1/4F X 1/4M JIC SOLID STR	1	33	NFH0001032	10-32 NF HEX NUT - PLATED	6
4	HYD0010000	PULSATION DAMPENER	1	34	TEB0472102	2 POST TERMINAL BLOCK	1
5	HYD3409020	STREET ELBOW 1/4 X 90	1	35	SUP0233771	RIGHT OIL COOLER FAN MTR MOUNT	1
6	CLP0411001	NUT 5/16 U-CLIP	4	36	SMR1032750	10-32 X 3/4 RH MACH SCREW	2
7	GRL0023379	OIL COOLER GRILL	2	37	FAN5000212	BLADE ASSY - COOLER FAN 21"	1
8	FST0010401	MED DUTY FLDING HANDLE FASTNER	8	38	GRD0506125	GUARD - FAN OIL COOLER	1
9	REL0000332	RELAY SPDT	1	39	NCE0000313	5/16" NC ESNA NUT - PLATED	4
10	WCT0000100	#10 FLATWASHER - PLATED	1	40	SHR0023371	OIL COOLER FAN SHROUD	1
11	WLK0000100	#10 LOCKWASHER - PLATED	6	41	SPC0017429	SPACER - HEAT EXCHANGER	2
12	SMR1032050	10-32X1/2 RH MACH SCREW	2	42	SHD0020822	SHIELD-10 POST JUNC. BLOCK	1
13	CRB3130225	BOLT 5/16-18 X 2-1/4 GRD 5 CARRIAGE	4	43	11-262	1" SPACER F/JUNC BLOCK	2
14	WCT0000313	WASHER 5/16 FLAT	4	44	SHD0023375	RIGHT FAN SHIELD	1
15	RIV0000604	POP RIVET	26	45	SHR0023365	OIL COOLER SHIELD	1
16	GAG0082112	GAUGE VOLTAGE METER 12V NEG	1	46	SMR1032175	10-32 X 1-3/4 RH MACH SCREW	3
17	HYD0162037	INDICATOR - REMOTE HYDRAULIC	1	47	TEB0472110	10 POST TERMINAL BLOCK	1
18	AO00000313	5/16" FABRIC WIRE LOOM 70" PC	1	48	SPC0023370	SPACER-HEAT EXCHANGER	2
19	AO00000313	5/16" FABRIC WIRE LOOM 58" PC	1	49	CLR0002094	MOUNTING BLOCK - OIL COOLER	4
20	GAG0082115	OIL TEMP GAUGE S/W82-115	1	50	CLR21133S1	OIL COOLER	1
21	NMS0000117	5/16" NC WHIZ NUT - PLATED	27	51	F000006675	12M JIC X 1M ST ADAPTER	2
22	MNT0023349	OIL COOLER MOUNT	1	52	FD00018808	HYD FLUID DECAL	1
23	SMS0000184	5/16" X 3/4" NC WHIZ BOLT-PLATED	27	53	GAG2335003	TENSION SYS PRESSURE GAUGE F/1592	1
24	NCH0000313	5/16" NC HEX NUT -PLATED	8		HYD3409020	STREET ELBOW 1/4 X 90	1
25	WLK0000313	5/16" LOCKWASHER - PLATED	8		CLP0411001	NUT 5/16 U-CLIP	1
26	MNT0020946	OIL COOLER FAN MOUNT	2		HYD5255022	FITTING 1/4F X 1/4M JIC SOLID STR	1
27	SHD0023373	LEFT FAN SHIELD	1		HOS036701A	HOSE TEN PRESSURE GAUGE	1
28	ZZ00000500	5/16" NC NUTSERT	5	54	STO0025075	OIL COOLER/FAN SHROUD AIR STOP	2
29	FAN5002147	FAN & MOTOR ASSY F/OIL COOLER	1	55	F000001441	1/4" X 1/8" 90° ELBOW	1
30	SCC0020001	BOLT 5/16-18 X 3/4 GRD 5 HEX	8	56	F000007400	1/8" TUBING 72"	1
31	MTR5000211	FAN MOTOR ONLY	1	57	F000007400	1/8" TUBING 60"	1"
				58	SMS0000177	BOLT WHIZ 5/16"	4
				59	NMS0000117	NUT 5/16 NC FLG WHIZ LOCK	2
				60	GRL0023379	OIL COOLER GRILL	2

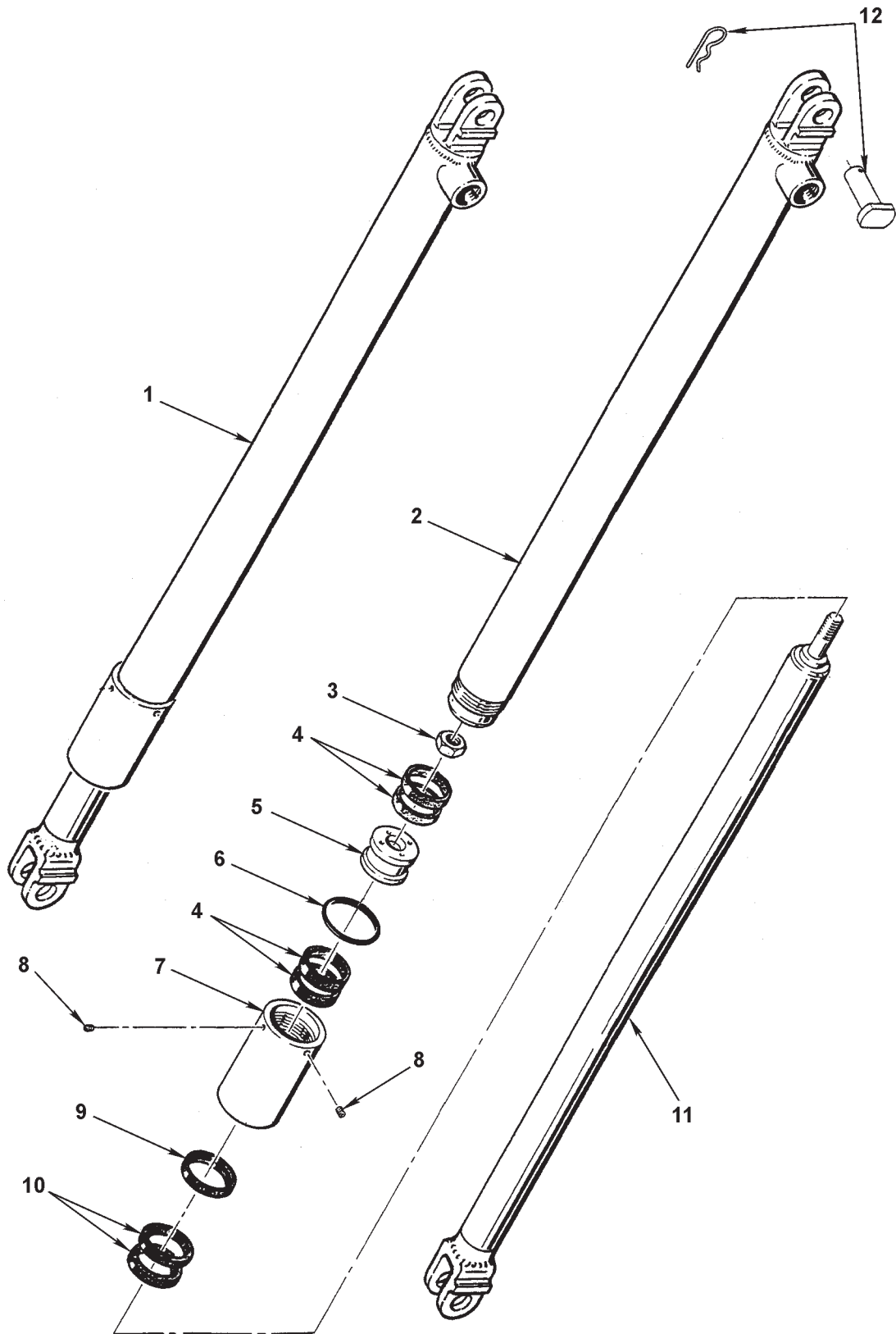
PLUNGER CYLINDER COMPONENTS



PLUNGER CYLINDER COMPONENTS

REF NO.	PART NO.	DESCRIPTION	QTY. USED	REF NO.	PART NO.	DESCRIPTION	QTY. USED
1	NFH0012600	1-1/4 NF NUT HEX GRD 8	8	21	FLG0001660	1" CODE 62 BLIND FLANGE	1
2	WAS0028076	HARDENED WASHER	8		SCC0040005	BOLT 7/16 X 1-3/4 NC GRD 8 PLTD	4
3	CYL0023692	PLUNGER CYLINDER BASE	1		WLK0004375	7/16 MEDIUM LOCK WASHER	4
4	RNG0002245	DURO POLYURETHANE O-RING	2		RNG0002219	O-RING VITON 90 DURO	1
5	CYL0023699	PLUNGER CYLINDER ROD NUT	1	22	WAS0000104	1/2 FLAT WASHER	4
6	CYL0023695	PLUNGER CYLINDER CUSHION	2	23	CYL0023690	PLUNGER CYLINDER HEAD	1
7	BRG3751125	3-3/4 ID X 1 X .125 HYDRO RING	2	24	CYL0023697	PLUNGER CYL ROD PACK GLAND	1
8	SPG0023737	PLUNGER CYLINDER SPRING	12	25	SEL0001182	PLUNGER CYLINDER ROD SEAL	1
9	CYL0023694	PLUNGER CYLINDER PISTON	1	26	FLT3125350	5/16 X 5/16 X 3-1/2 OD FELT RING	1
10	RNG0004914	PISTON RING	1	27	WIP0110042	PLUNGER CYLINDER ROD WIPER	2
11	RNG0008342	BACKUP RING	1	28	FLG0001501	1" SPLIT FLNG W/BOLT KIT & O-RING	3
12	BRG2752125	2-3/4ID X 2 X .125 BUTT CUT RD BG	2		SCC0040005	BOLT 7/16 X 1-3/4 NC GRD 8 PLTD	12
13	ROD0023698	PLUNGER CYLINDER ROD	1		WLK0004375	7/16 MEDIUM LOCK WASHER	12
14	CYL0017121	PLUNGER CYL BASE END TIE ROD	4		RNG0002219	O-RING VITON 90 DURO	3
15	CYL0023700	PLUNGER CYLINDER BARREL	1	29	RNG0023420	O-RING VITON 90 DURO	1
16	CYL0023701	PLUNGER CYLINDER TRUNION	1				
17	SPC0023696	PLUNGER CYL TRUNION SPACER	2		CYL036792E	PLUNGER CYLINDER ASSEMBLE (INC. 1-29)	
18	RET0023770	PLUNGER CYL GLAND RETAINER	1		CYL036796E	PLUNGER CYLINDER PISTON ROD ASSY (INC. 5,6,7,8,9,10,13)	
19	CYL0017120	PLUNGER CYL ROD END TIE ROD	4		CYL036795E	PLUNGER CYLINDER ROD GLAND ASSY	
20	SCC0050008	BOLT 1/2 X 2-1/2 NC GRD 8 PLTD	4		SEL0001592	SEAL KIT PLUNGER CYL (INC.4,7,10,11,12,25,26,27,29,RNG0002219)	

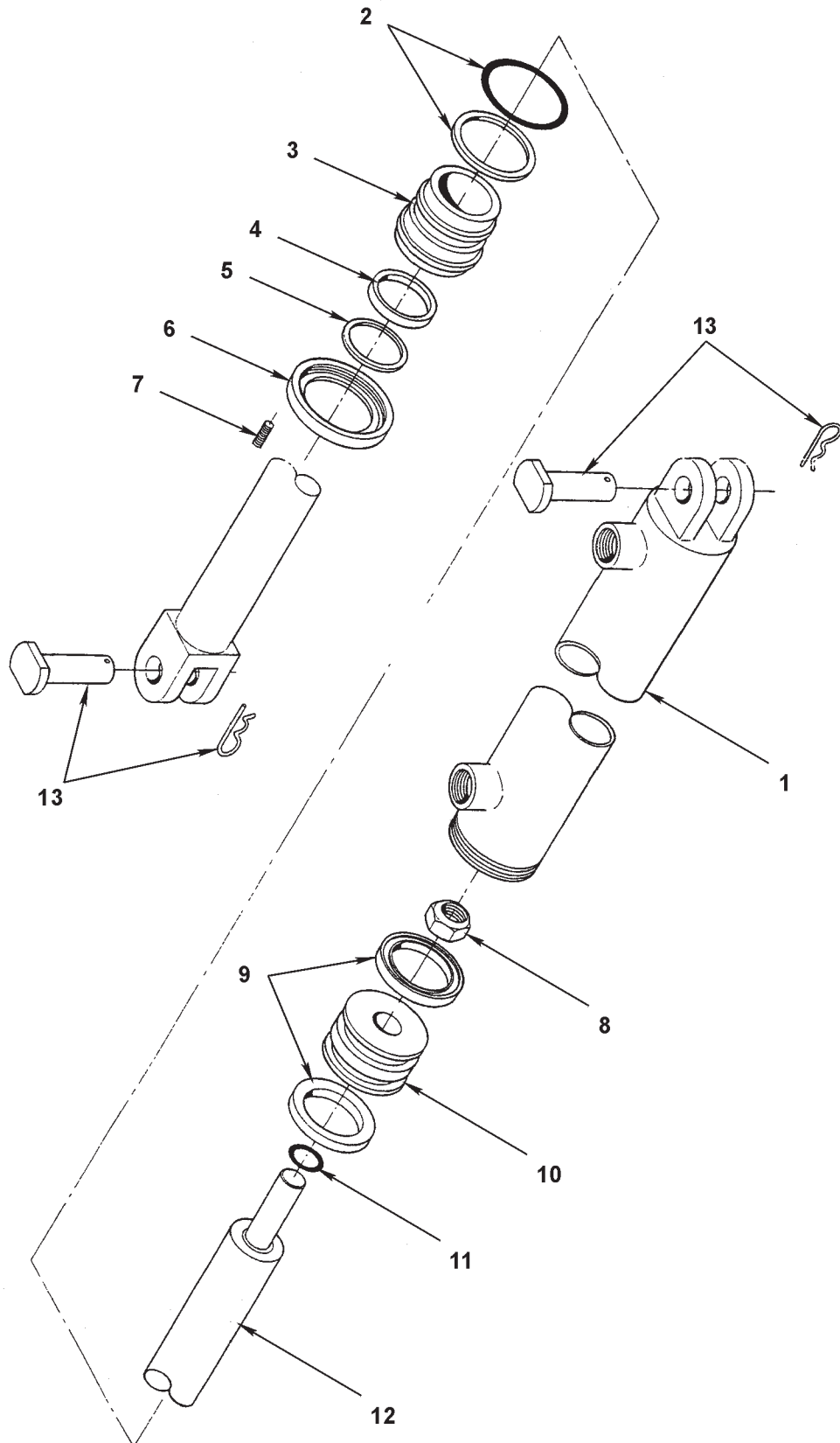
MAKE-UP CYLINDER COMPONENTS



MAKE-UP CYLINDER COMPONENTS

REF NO.	PART NO.	DESCRIPTION	QTY. USED
1	CYL0024785	MAKE-UP CYLINDER	2
2	CYL0024787	MAKE-UP CYLINDER BARREL	1
3	NFX0000750	3/4" DEFORMED HEAD NUT	1
4	RNG0030107	WEAR RING	4
5	CYL0024789	MAKE-UP CYLINDER PISTON	1
6	RNG0002230	WEAR RING	1
7	CYL0024790	MAKE-UP CYLINDER HEAD	1
8	STS2500250	1/4 X 1/4 NC SOCKET SET SCREW	2
9	SEL0001143	ROD SEAL	1
10	WIP0110023	ROD WIPER	2
11	ROD0024786	MAKE-UP CYLINDER ROD	1
12	HYP FA22P	CLEVIS PIN W/COTTER PIN	1
13	SEL0024785	SEAL KIT FOR CYL0024785 (INC. REF #3,4,6,9,10)	A/R

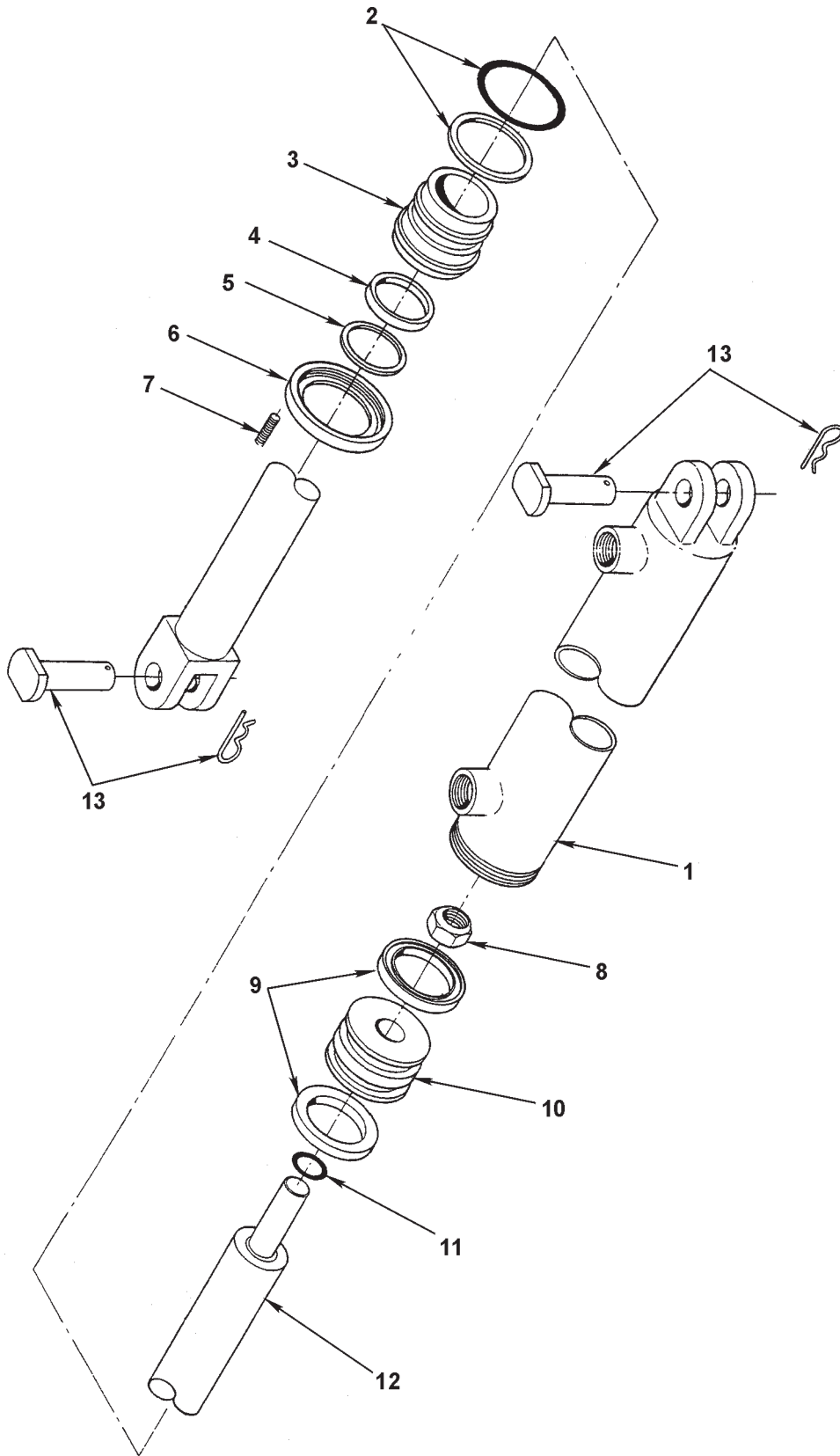
TOP AND BOTTOM TENSION CYLINDER COMPONENTS



TOP AND BOTTOM TENSION CYLINDER COMPONENTS

REF NO.	PART NO.	DESCRIPTION	QTY. USED
1	TC 000035C	TUBE ASSEMBLY	1
2	HYP TC350	HEAD O-RING ASSEMBLY	1
3	TC 000035E	HEAD	1
4	TC 00035US	SHAFT PACKING	1
5	TC 00035RW	ROD WIPER	1
6	HYP00035EC	THEADED END CAP	1
7	TC 00035SC	SET SCREW	1
8	HYP TC35N	PISTON LOCK NUT	1
9	TC 00035VP	PISTON PACKING	1
10	TC 000035V	PISTON	1
11	TC 00035SO	SMALL O-RING	1
12	TC 000035S	SHAFT ASSEMBLY	1
13	TC 000035P	CLEVIS PIN	1
	SELOT3516	SEAL KIT F/CYL0TC3516	A/R

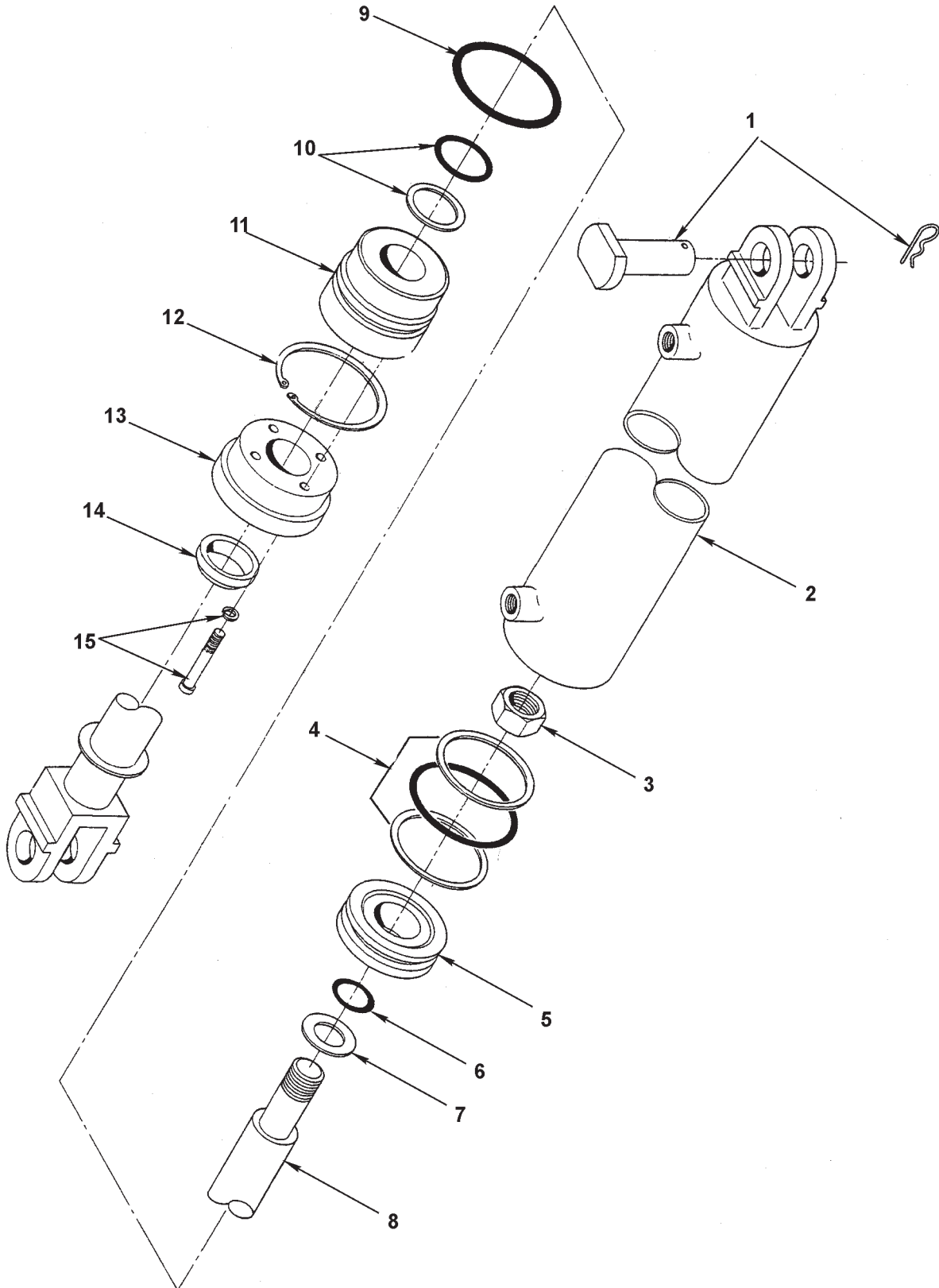
SIDE TENSION CYLINDER COMPONENTS



SIDE TENSION CYLINDER COMPONENTS

REF NO.	PART NO.	DESCRIPTION	QTY. USED
1	TC 00004C	TUBE ASSEMBLY	1
2	TC 00004O	HEAD O-RING ASSEMBLY	1
3	TC 00004E	HEAD	1
4	TC 00004US	SHAFT PACKING	1
5	TC 00004RW	ROD WIPER	1
6	HYD0004EC	THREADED END CAP	1
7	TC 00004SC	SET SCREW	1
8	HYD000TC4N	PISTON LOCK NUT	1
9	TC 00004UP	PISTON PACKING (SET)	1
10	TC 00004V	PISTON	1
11	TC 00004SO	SMALL O-RING	1
12	HYD000TC4S	SHAFT ASSEMBLY	1
13	HYP TC4P	CLEVIS PIN	2
	SEL0000KT4	SEAL KIT (INC. REF. 2,4,5,9 & 11)	A/R

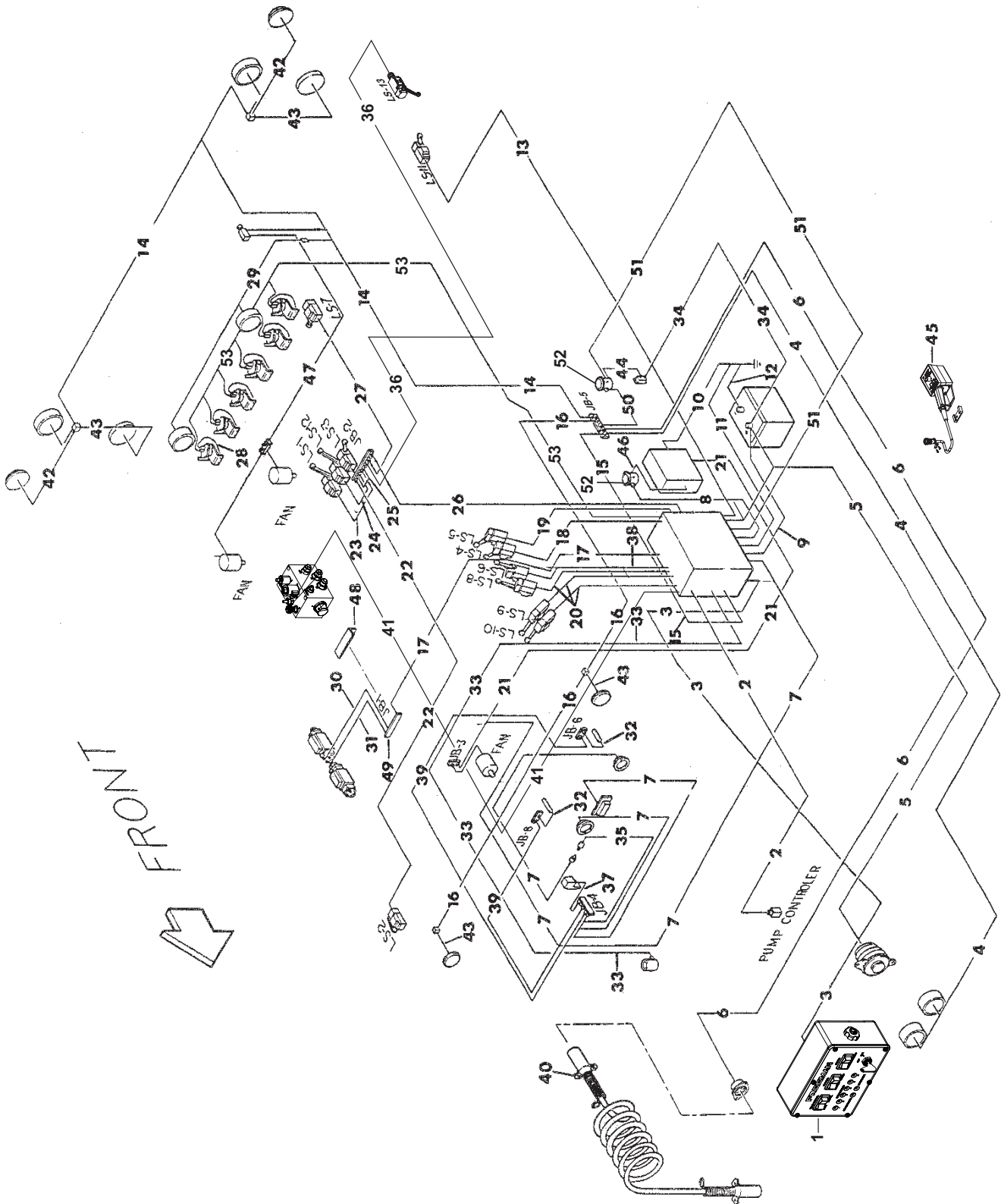
PICKUP LIFT CYLINDER COMPONENTS



PICKUP LIFT CYLINDER COMPONENTS

REF NO.	PART NO.	DESCRIPTION	QTY. USED
1	HYP000FA2P	CLEVIS PIN	2
2	HYP0FA25-C	TUBE ASSEMBLY	1
3	HYP000FA2N	PISTON LOCK NUT	1
4	HYP00FA2PO	PISTON O-RING ASSEMBLY	1
5	HYP000FA2V	PISTON	1
6	HYP00FA2SO	SMALL O-RING	1
7	HYP000FA2M	STEEL WASHER	1
8	HYP0FA25-S	SHAFT ASSEMBLY	1
9	HYP000FA2O	O-RING	1
10	HYO00FA2US	SHAFT PACKING (SET)	1
11	HYP000FA2E	PISTON HEAD	1
12	HYP00FA2LR	HEAD LOCKING RING	1
13	HYP000FA2G	PACKING GLAND	1
14	HYP00FA2RW	ROD WIPER	1
15	SCS1024075	10-24 X 3/4 NC SOC. HD CS	4
	HYP000FA2T	PACKING GLAND BOLT W/LKWSR	4
	SEL0001505	SEAL KIT F/CYL0000205	A/R
	CYL0000205	PICK-UP LIFT CYLINDER COMPLETE	

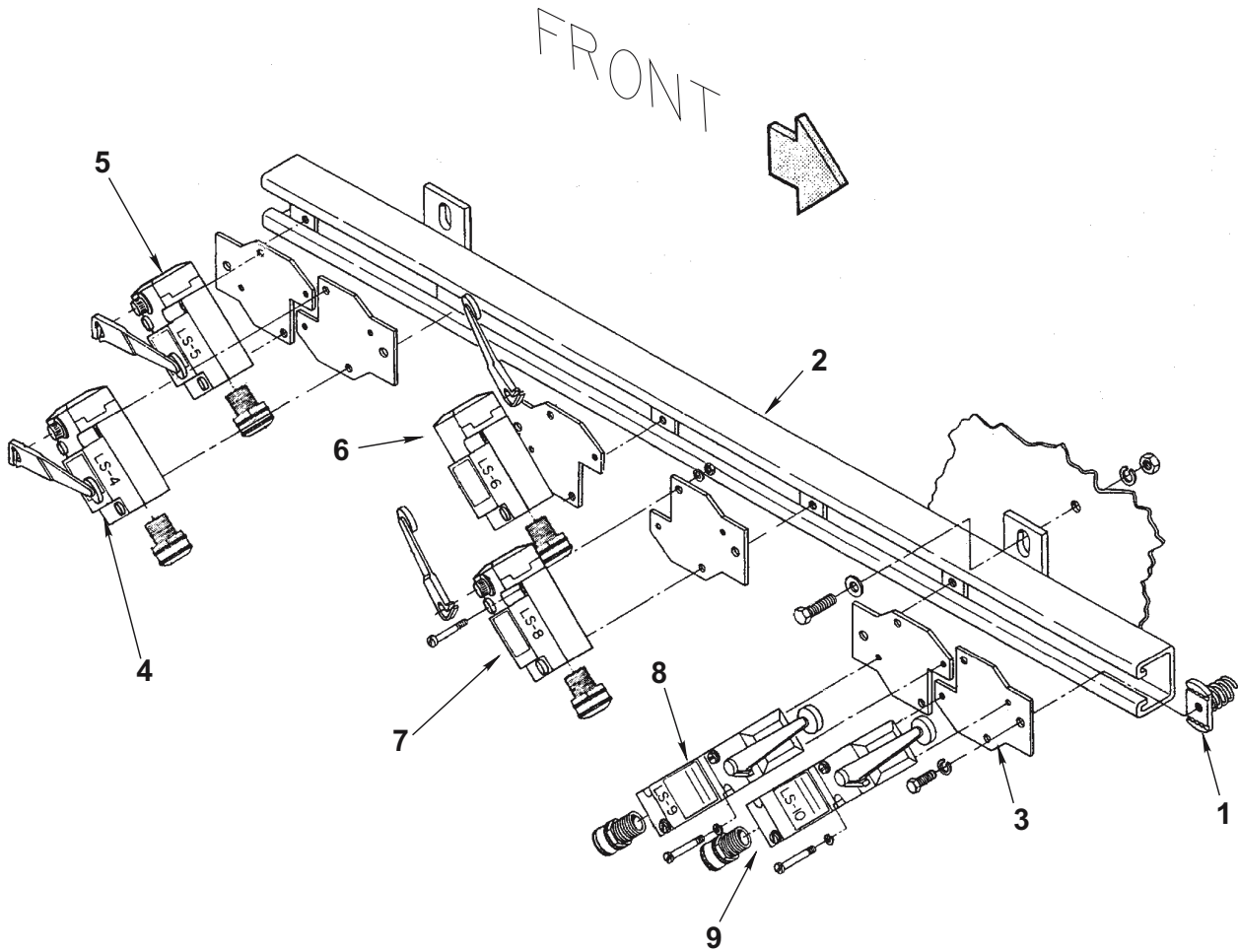
WIRE HARNESS LOCATIONS



WIRE HARNESS LOCATIONS

REF NO.	PART NO.	DESCRIPTION	QTY. USED	REF NO.	PART NO.	DESCRIPTION	QTY. USED
1	BOX036041E	CONTROLLER ASSY,REMOTE	1	27	HRN0024697	WIRE HARN-2COND. LS-7 TO JB-2	1
2	HRN0031170	SERVO-CONTROLLER WIR HARNESS	1	28	HRN0021990	SWITCH GROUND WIRE	6
3	HRN036181B	DRAWBAR TO MAIN CONT. BOX HARN	1	29	HRN0029820	WIRE HRN KNT WORK LIGHT	1
4	HRN0021076	WIRING HARN P/U WORK LIGHT	1	30	HRN0018333	WIRE HARN-KNOTTER VALVE	1
5	HRN036644D	ALT. TO TB-4 & BAT WIRE HRNSS	1	31	HRN0018332	WIRE HARN-2ND FEEDER VALVE	1
6	HRN036152D	JB-5 TO 7 POLE CONN. WIRE HARN	1	32	HRN0022703	OIL LEVEL SWITCH HARNESS-1592	2
7	HRN036134E	GAUGE PANEL / JB-4 WIRE HARNESS	1	33	HRN0021867	TEN RLF SOLENOID VLV HARNESS	1
8	HRN0023548	CONTROL BOX TO FAN RELAY	1	34	HRN0026051	40 AMP CB TO BATTERY WIRNG HRN	1
9	HRN0024699	BATTERY TO POWER SWITCH	1	35	THM0018054	220F.TEMP.WIRING HARNESS	1
10	HRN0018303	WIRE HARN-FAN CONTRL BOX GRND	1	36	HRN036239B	LS-13 SWITCH HARNESS TO JB-2	1
11	HRN0018306	WIRE HARN-CONTROL BOX GROUND	1	37	HRN0020858	WIRE HARN OIL LEVEL/TEMP RELAY	1
12	HRN0018301	WIRE HARN-BATTERY GROUND STRAP	1	38	HRN0017621	WIRE HARN-2COND. LS-6 TO TB-3	1
13	HRN0023512	WIRE HARNESS L5-11 TO CONTL BX	1	39	HRN0018297	WIRE HARNESS JB-4 TO HRN0024702	2
14	HRN0024294	REAR LIGHT WIRE HRN	1	40	CBL0011127	CABLE ASSY; 11127 (7 COND)	1
15	HRN0024698	WIRING HRN LIGHT SWITCH TO JB5	1	41	900406	CABLE ASSY TEN CTRL TO CTRL BX	1
16	HRN0017874	FRT.AMB.WARNING LIGHT HRNESS	1	42	HRN0023542	STOP/TAIL LIGHT HARNESS	2
17	HRN0024914	WIRE HARNESS JB-1 TO TB-1	1	43	HRN0023541	YELLOW INDICATOR LIGHT	4
18	HRN0017641	HRN00178665COND. LS4-TB2 & TB3	1	44	HRN0025999	FAN RELAY TO CTL BOX WIRNG BOX	1
19	HRN037425B	LS-5 SWITCH TO MAIN CONTROL BOX	1	45	ELC0016762	MANUAL OPERATOR PENDANT	1
20	HRN037426B	LS-8 TO TB-2 SWITCH HARNESS	1	46	BOX0035238	DIAGNOSTIC CONTROLLER BOX ASSY	1
21	HRN0024702	WIRING HARN FAN RELAY TO MOTOR	1	47	HRN0023514	HARN KNT FAN SWI TO JUNC BLK	1
22	HRN0017867	WIRE HARN-2 COND. LS-2 TO JB-2	1	48	SHD0017292	5 POST JUNCTION BLOCK SHIELD	1
23	HRN0365090	HARNESS, LS-1 SWITCH TO JB-2	1	49	TEB0472105	5 POST TERMINAL BLOCK	1
24	HRN0365100	WIRE HARN-3COND. LS-12 TO JB-2	1	50	HRN0025998	SOLENOID TO GROUND WIRING HRN	1
25	HRN0017598	WIRE HARN-2COND. LS-3 TO JB-2	1	51	HRN0024700	WIR HRN 30 AMP CB TO FAN RELAY	1
26	HRN036217D	WIRE HARN-CONTROL BOX TO JB-2	1	52	SOL0024059	CONTINUOUS DUTY SOLENOID	2

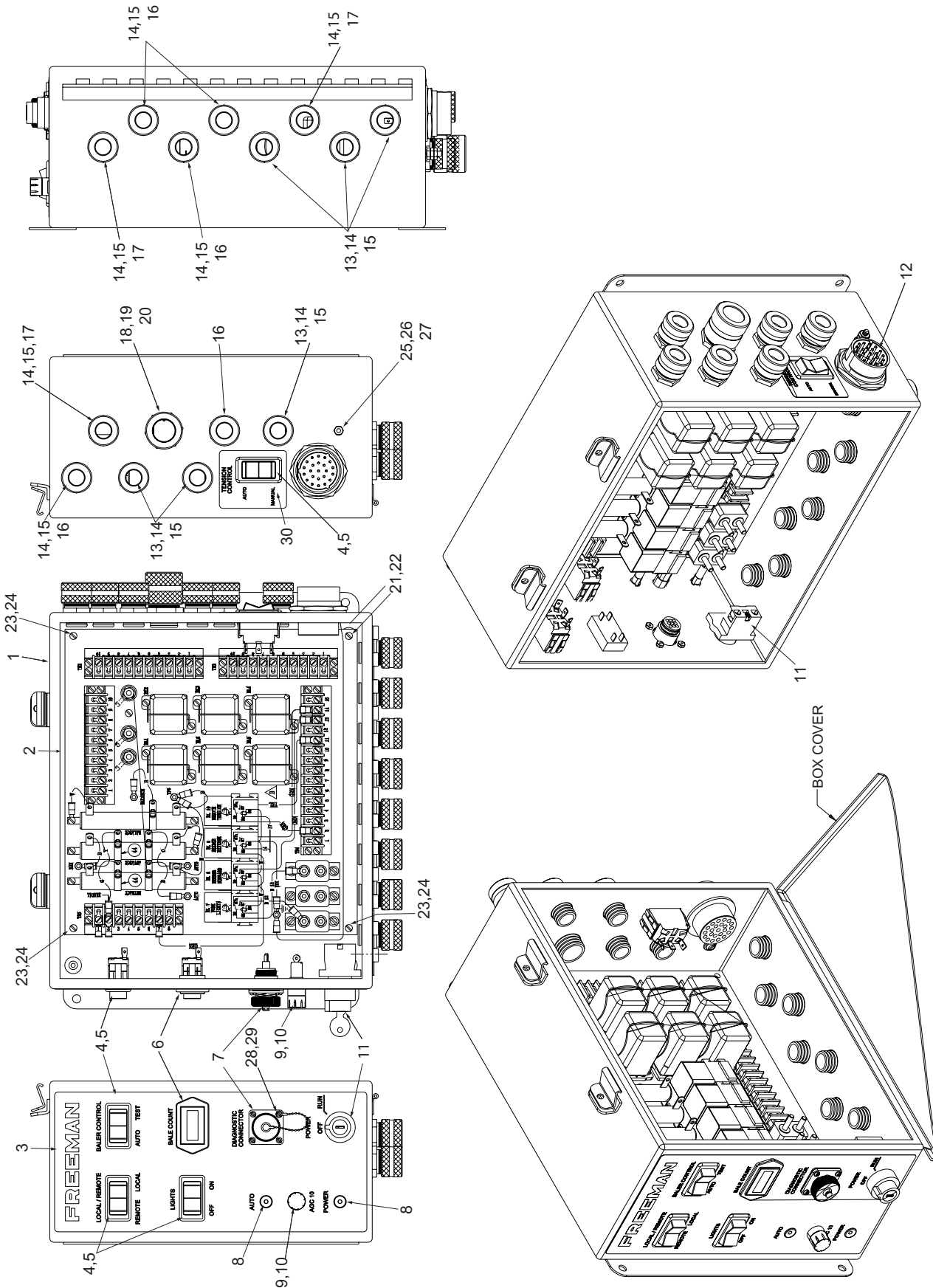
PLUNGER LIMIT SWITCHES ASSEMBLY



PLUNGER LIMIT SWITCHES ASSEMBLY

REF NO.	PART NO.	DESCRIPTION	QTY. USED	REF NO.	PART NO.	DESCRIPTION	QTY. USED
1	NMS0001007	NUT UNISTRUT	6	6	SWI037706B	ASSY,SWITCH ;B; LS-6,	1
2	MNT0015827	PLGR SWITCH MTG CHNL ASB	1		SWI0CH5079	SWITCH, LIMIT	1
	WLK0000313	WASHER MED. LOCK 5/16 PLTD	4		CNR0000193	1/2 STRAIN RELIEF CONNECTOR	1
	NCH0000313	NUT 5/16 NC HEX	4		HRN0017621	WIRE HARN-2COND. LS-6 TO TB-3	1
	SCC0020002	BOLT 5/16-18 X 1 GRD 5 HEX	4		ARM0CH5084	3"LIMIT SWITCH ROLLER ARM	1
	WCT0000313	5/16 FLAT WASHER, PLATED	4		SMR1032150	MACH.SCREW 10-32 X 1-1/2 RH PLTD	2
3	MNT0015823	PLUNGER SWITCH MOUNT	6		WLK0000100	LOCKWASER #10 PLATED	2
	WLK0000313	WASHER MED. LOCK 5/16 PLTD	6		NFH0001032	NUT 10-32 NF HEX	2
	SCC0020001	BOLT 5/16-18 X 3/4 GRD 5 HEX	6	7	SWI037708B	ASSY,SWITCH ; LS-8,	1
4	SWI037704D	ASSY, SWITCH ; LS-4,	1		SWI0CH5079	SWITCH, LIMIT	1
	SWI0CH5081	SWITCH LIMIT 4 POSITION	1		CNR0000193	CONNECTOR, CORD	1
	CNR0000195	CONNECTOR, CORD	1		HRN037426B	LS-8 TO TB-2 SWITCH HARNESS	1
	HRN0017641	SWITCH HARNESS	1		ARM0CH5084	3"LIMIT SWITCH ROLLER ARM	1
	ARM0CH5084	3"LIMIT SWITCH ROLLER ARM	1		SMR1032150	MACH.SCREW 10-32 X 1-1/2 RH PLTD	2
	SMR1032150	MACH.SCREW 10-32 X 1-1/2 RH PLTD	2		WLK0000100	LOCKWASER #10 PLATED	2
	WLK0000100	LOCKWASER #10 PLATED	2		NFH0001032	NUT 10-32 NF HEX	2
	NFH0001032	NUT 10-32 NF HEX	2	8	SWI037709B	ASSY,SWITCH ; LS-9,	1
5	SWI037705B	ASSY,SWITCH ; B; LS-5,	1		SWI0CH5079	SWITCH, LIMIT	1
	SWI0CH5079	SWITCH, LIMIT	1		CNR0000193	CONNECTOR, CORD	1
	CNR0000193	CONNECTOR, CORD	1		HRN0017620	LS-9 & LS-10 SWI TO MAIN CONT BOX	1
	HRN037425B	WIRE HARNESS	1		ARM0CH5084	3"LIMIT SWITCH ROLLER ARM	1
	ARM0CH5084	3"LIMIT SWITCH ROLLER	1		SMR1032150	MACH.SCREW 10-32 X 1-1/2 RH PLTD	2
	SMR1032150	MACH.SCREW 10-32 X 1-1/2 RH PLTD	2		WLK0000100	LOCKWASER #10 PLATED	2
	WLK0000100	LOCKWASER #10 PLATED	2		NFH0001032	NUT 10-32 NF HEX	2
	NFH0001032	NUT 10-32 NF HEX	2	9	SWI037710B	ASSY,SWITCH ; LS-10,	1
					SWI0CH5079	SWITCH, LIMIT	1
					CNR0000193	CONNECTOR, CORD	1
					HRN0017620	LS-9 & LS-10 SWI TO MAIN CONT BOX	1
					ARM0CH5084	3"LIMIT SWITCH ROLLER ARM	1
					SMR1032150	MACH.SCREW 10-32 X 1-1/2 RH PLTD	2
					WLK0000100	LOCKWASER #10 PLATED	2
					NFH0001032	NUT 10-32 NF HEX	2

CONTROL BOX ASSEMBLY

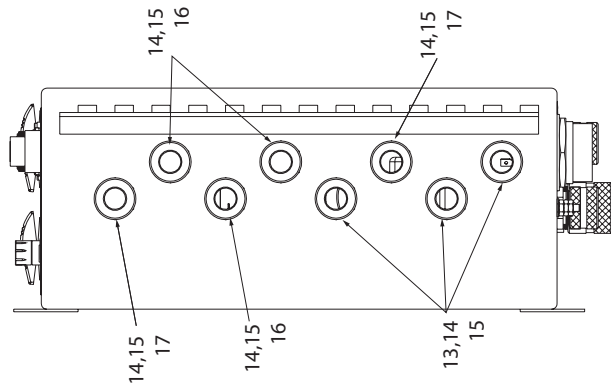


CONTROL BOX ASSEMBLY

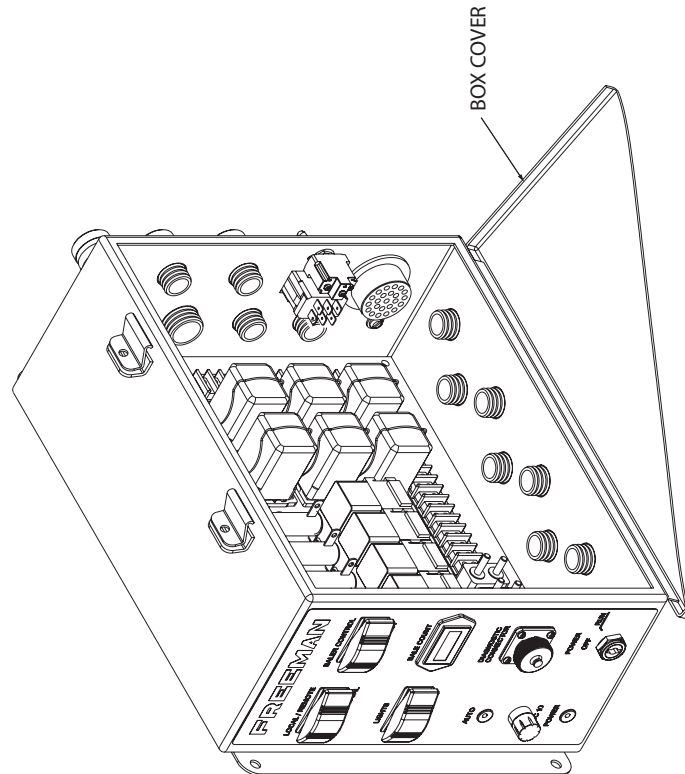
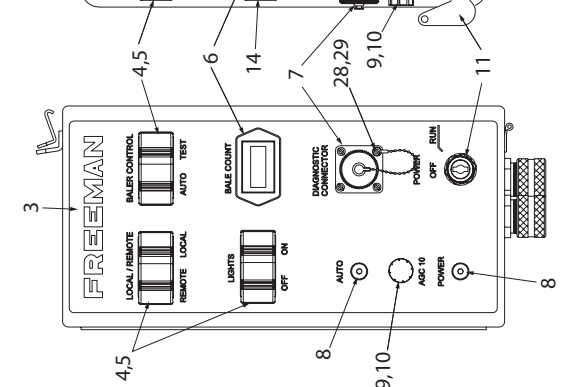
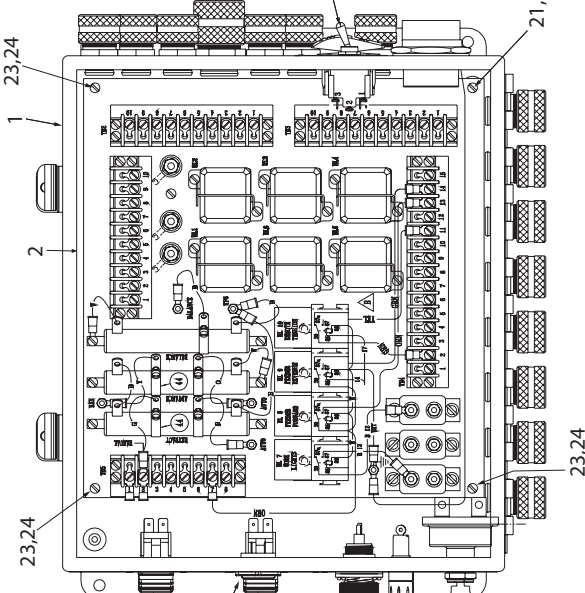
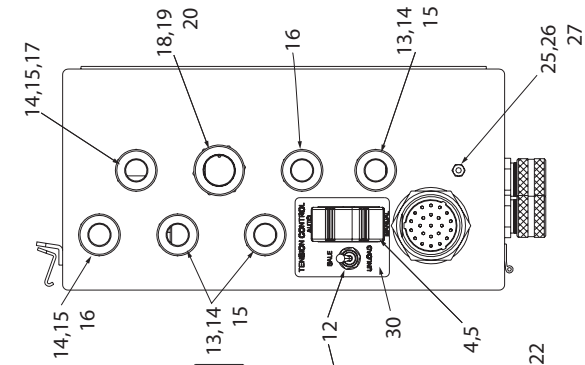
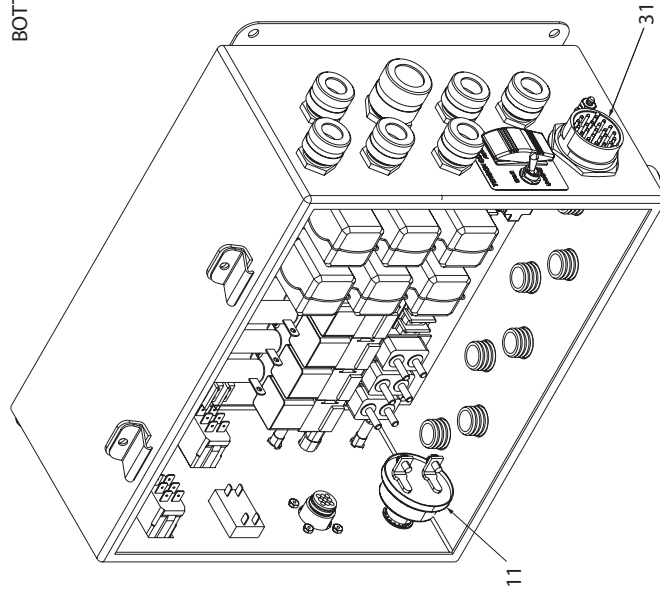
Used on Freeman S/N 1592-616 through ASC-1592-002.

REF NO.	PART NO.	DESCRIPTION	QTY. USED	REF NO.	PART NO.	DESCRIPTION	QTY. USED
	BOX036050E	MAIN CONTROL BOX ASSY		16	220577	CORD CONNECTOR, 3/8-1/2, 1/2 NPT	4
1	BOX036048E	MAIN CONTROL BOX	1	17	CNR0000195	CORD CONNECTOR, 1/2-5/8, 1/2 NPT	4
2	PNL036047E	CONTROL PANEL ASSY	1	18	CNR0000297	CORD CONNECTOR, 3/4-7/8, 3/4 NPT	1
3	FD0036049E	MAIN GRAPHIC OVERLAY	1	19	NMS0000109	CONDUIT LOCKNUT, 3/4 NPT	1
4	SWI0000003	ROCKER SWITCH, 2 POS. MAINT	4	20	231044	SEALING RING, 3/4	1
5	GSK0000001	GASKET-PANEL SWITCH SEAL	4	21	SMR1032175	MACHINE SCREW, #10-32 X 1 3/4, RH	2
6	BCO0001131	COUNTER, LCD, 12V, RESETTABLE	1	22	SPC036111A	CONTROL PANEL SPACER	2
7	HRN036158B	DIAGNOSTIC CONTROL REC HARNESS	1	23	SPC036086A	CONTROL PANEL SPACER	2
8	LITXVLA124	LED INDICATOR LAMP, 12 VDC	2	24	SMR1032038	MACHINE SCREW, #10-32 X 3/8, RH	4
9	FUS0000025	FUSE HOLDER, 30 AMP	1	25	WIS0001000	LOCK WASHER, INTERNAL STAR, #10	8
10	FUS0000036	FUSE, AGC, 10 AMP	1	26	SMR1032038	RND HD MS 10-32 X 3/8	1
11	SWI0000100	KEYSWITCH JAF 1592-635 & BEFORE	1	27	220044	HEX NUT, #10-32	3
	KEY0000010	KEY FOR SWI0000100 PAIR OF 2	1	28	SMR4405000	RND HD MS 4-40 X 1/2	4
12	HRN036135D	REMOTE HARNESS RECEPTACLE ASSY	1	29	236770	ESNA NUT, #4-40 NC	4
13	CNR0000193	CORD CONNECTOR, 1/4-3/8, 1/2 NPT	6	30	FD0036059A	TENSION CONTROL OVERLAY	1
14	NMS0000150	CONDUIT LOCKNUT, 1/2 NPT	14				
15	RNG0005262	SEALING RING, 1/2	14				

CONTROL BOX ASSEMBLY



BOTTOM VIEW

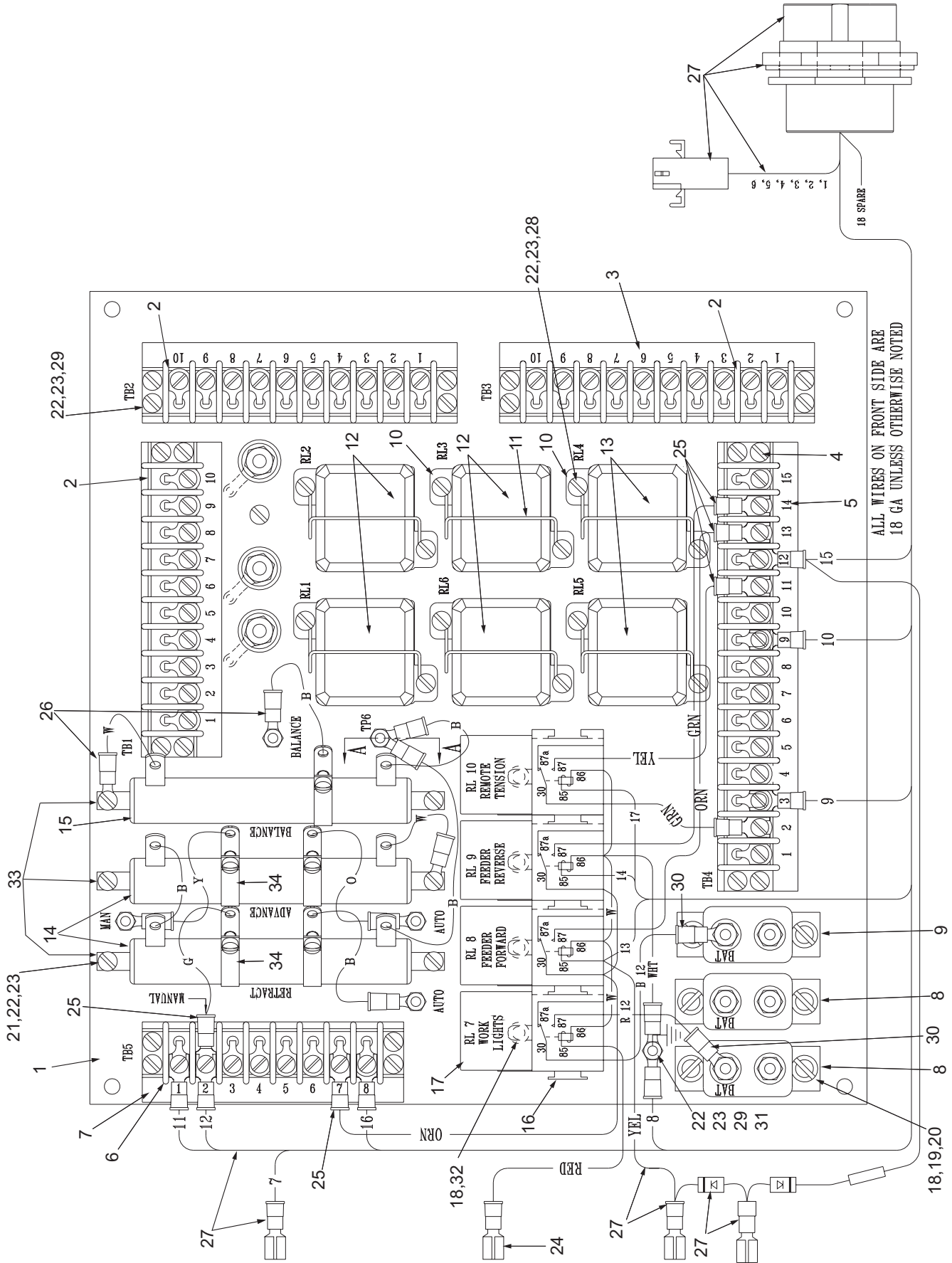


CONTROL BOX ASSEMBLY

First used on S/N ASC1592-003

REF NO.	PART NO.	DESCRIPTION	QTY. USED	REF NO.	PART NO.	DESCRIPTION	QTY. USED
	900416	MAIN CONTROL BOX ASSY		15	RNG0005262	SEALING RING, 1/2	14
1	BOX036048E	MAIN CONTROL BOX	1	16	220577	CORD CONNECTOR, 3/8-1/2, 1/2 NPT	4
2	PNL036047E	CONTROL PANEL ASSY	1	17	CNR0000195	CORD CONNECTOR, 1/2-5/8, 1/2 NPT	4
3	FD0036049E	MAIN GRAPHIC OVERLAY	1	18	CNR0000297	CORD CONNECTOR, 3/4-7/8, 3/4 NPT	1
4	SWI0000003	ROCKER SWITCH, 2 POS. MAINT	4	19	CNR0000297	CONDUIT LOCKNUT, 3/4 NPT	1
5	GSK0000001	GASKET-PANEL SWITCH SEAL	4	20	231044	SEALING RING, 3/4	1
6	BCO0001131	COUNTER, LCD, 12V, RESETTABLE	1	21	SMR1032175	MACHINE SCREW, #10-32 X 1 3/4, RH	2
7	HRN036158B	DIAGNOSTIC CONTROL REC HARNESS	1	22	SPC036111A	CONTROL PANEL SPACER	2
8	LITXVLA124	LED INDICATOR LAMP, 12 VDC	2	23	SPC036086A	CONTROL PANEL SPACER	2
9	FUS0000025	FUSE HOLDER, 30 AMP	1	24	SMR1032038	MACHINE SCREW, #10-32 X 3/8, RH	4
10	FUS0000036	FUSE, AGC, 10 AMP	1	25	WIS0001000	LOCK WASHER, INTERNAL STAR, #10	8
11	SWI0005091	KEYSWITCH START AT ASC-1592-001	1	26	00100766	MACHINE SCREW, #10-32 X 3/4, RH	1
	SWI0000100	KEYSWITCH JAF 1592-635 & BEFORE	1	27	220044	HEX NUT, #10-32	3
	KEY0000010	KEY FOR SWI0000100 PAIR OF 2	1	28	SMR4405000	MACHINE SCREW, RH, #4-40 X 1/2	4
12	SWI00VDD1S	TOGGLE SWITCH	1	29	236770	ESNA NUT, #4-40 NC	4
13	CNR0000193	CORD CONNECTOR, 1/4-3/8, 1/2 NPT	6	30	900408	TENSION CONTROL OVERLAY	1
14	NMS0000150	CONDUIT LOCKNUT, 1/2 NPT	14	31	HRN0361350	1/2 CORD CONNECTOR(.375-.500)	1

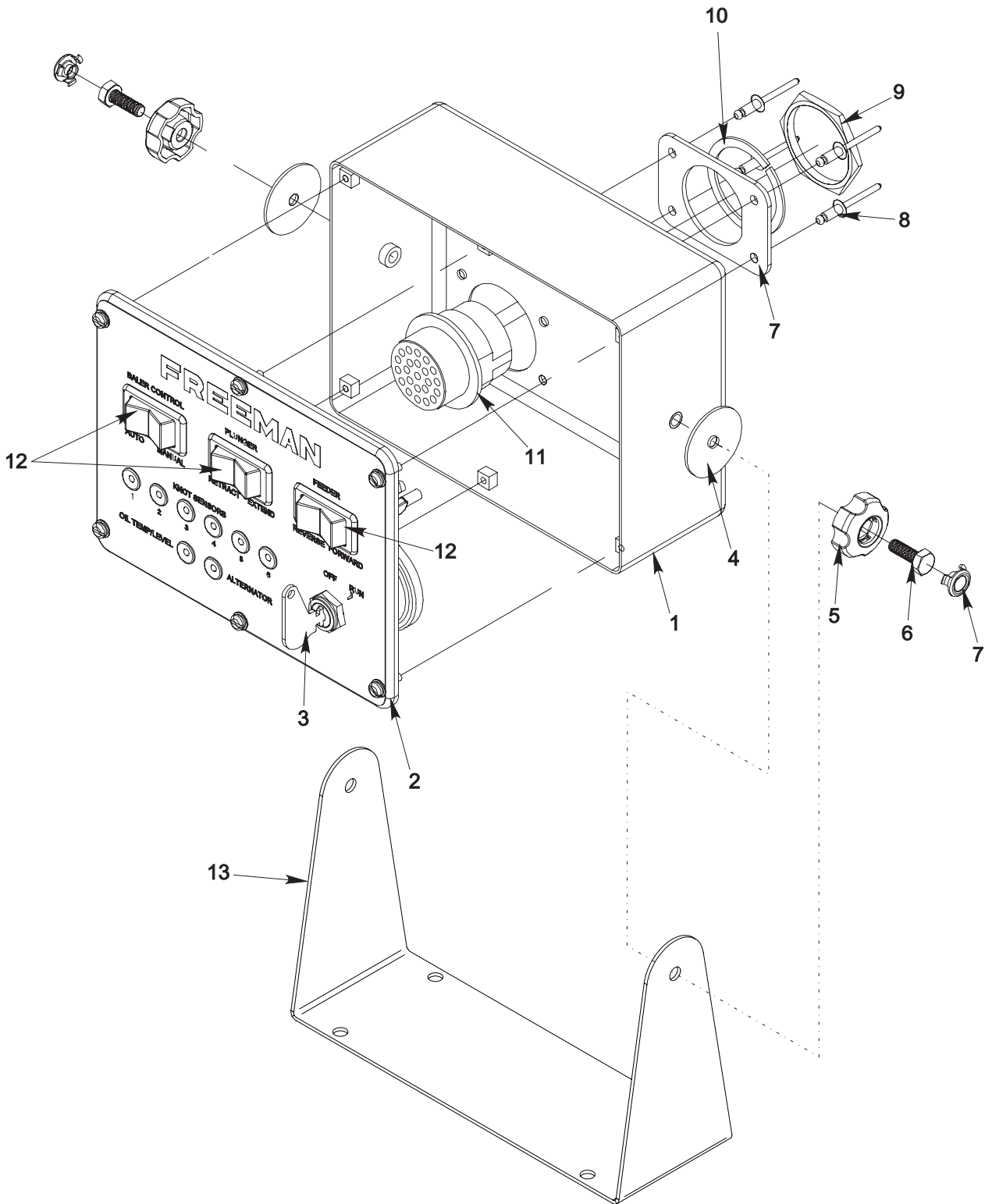
CONTROL PANEL ASSEMBLY



CONTROL PANEL ASSEMBLY

REF NO.	PART NO.	DESCRIPTION	QTY. USED
1	PNL036045E	MAIN CONTROL PANEL	1
2	BAB010140Y	BARRIER BLOCK, 10 POSITION	3
3	MSR0010140	MARKER STRIP 10 POSITION	3
4	BAB015140Y	BARRIER BLOCK, 15 POSITION	1
5	MSR015140Y	MARKER STRIP 15 POSITION	1
6	BAB008140Y	BARRIER BLOCK, 8 POSITION	1
7	MSR008140Y	MARKER STRIP 8 POSITION	1
8	CBK0014530	CIRCUIT BREAKER 30 A, TYPE II	2
9	CBK0014540	CIRCUIT BREAKER 40 A, TYPE II	1
10	SOK2031181	RELAY SOCKET	6
11	SPG2090200	RELAY HOLD DOWN SPRING	6
12	REL5058962	RELAY DPDT MAG LATCH, 12VDC	4
13	252510	RELAY 3PDT, 12 VDC	2
14	RES0045019	RESISTOR 100 OHM 50 W,	2
15	RES0045022	RESISTOR 200 OHM 50 W,	2
16	REL0001002	RELAY SOCKET	4
17	REL5058963	RELAY, SPDT 40 AMP 12 VDC	4
18	SMR1032500	MACHINE SCREW, RH 10-32 X 1/2	7
19	WIS0001000	WASHER #10 INTERNAL STAR	6
20	NFH0001032	HEX NUT 10-32	6
21	SMR6320375	MACHINE SCREW, RH 6-32 X 3/8	6
22	WIS0000600	WASHER #6 INTERNAL STAR	44
23	NCH0006320	HEX NUT 6-32	56
24	TER0493216	TERM, Q/S, .250, F, 18/22 GA	1
25	TER0490616	TERM, SPADE, #6 STUD, 22-18 GA	6
26	TER0490621	TERM, RING, #6 STUD, 22-18 GA	9
27	HRN036135D	REMOTE HARNESS RECEPTACLE ASSY 1	1
28	SMR6320500	MACHINE SCREW, RH 6-32 X 1/2	12
29	SMR6320625	MACHINE SCREW, RH 6-32 X 5/8	21
30	TER0630619	TERM, RING, #10 STUD, 12-10 GA	2
31	TER0000099	SOLDER LUG, #6 STUD	8
32	NST0001032	NUTSERT, 10-32	4
33	BKT0001398	RESISTOR MOUNT, OHMITE #9	6

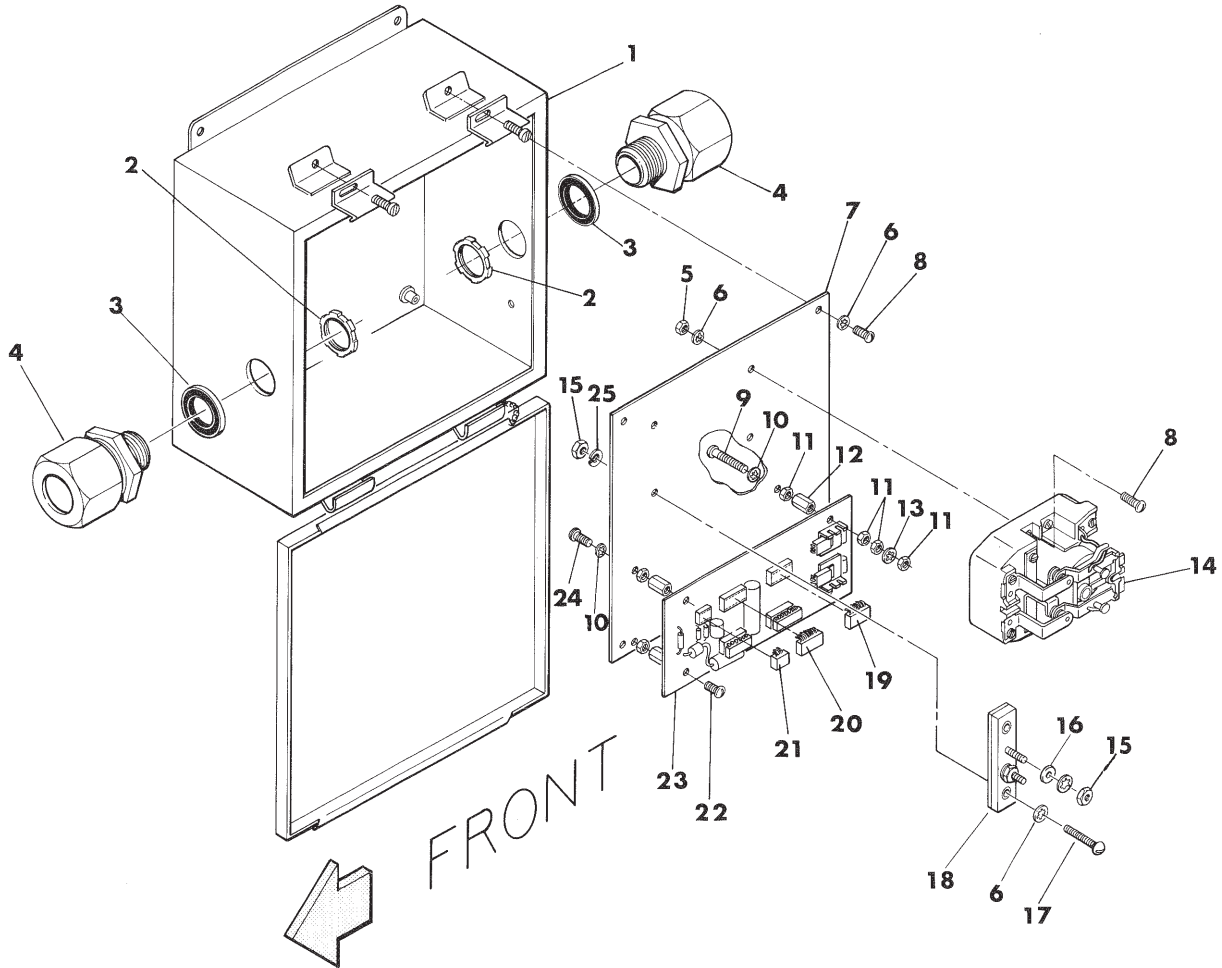
REMOTE CONTROL ASSEMBLY



REMOTE CONTROL ASSEMBLY

REF NO.	PART NO.	DESCRIPTION	QTY. USED
	BOX036041E	TRACTOR REMOTE CONTROL ASSEMBLY	
1	DRW036468E	RAW BOX-TRACTOR REMOTE	1
2	CVR036039E	REMOTE CONTROLLER COVER	1
3	SWI0005091	SWITCH, ON/OFF	1
4	WAS5613062	WASHER	2
5	KOB0000102	REMOTE BOX MOUNTING KNOB-	2
6	R13810814	CAPSCREW	2
7	PLT0035716	REMOTE CONTROLLER ELECTRONICS	1
8	RIV0000604	RIVET	4
9	R740836	NUT	1
10	WLK0000300	WASHER, LOCK	1
11	SOK0000014	RECEPTACLE,CONNECTOR	1
12	SWI0000007	SWITCH, ROCKER	3
13	MNT0033217	REMOTE CONTROLLER MOUNT	1

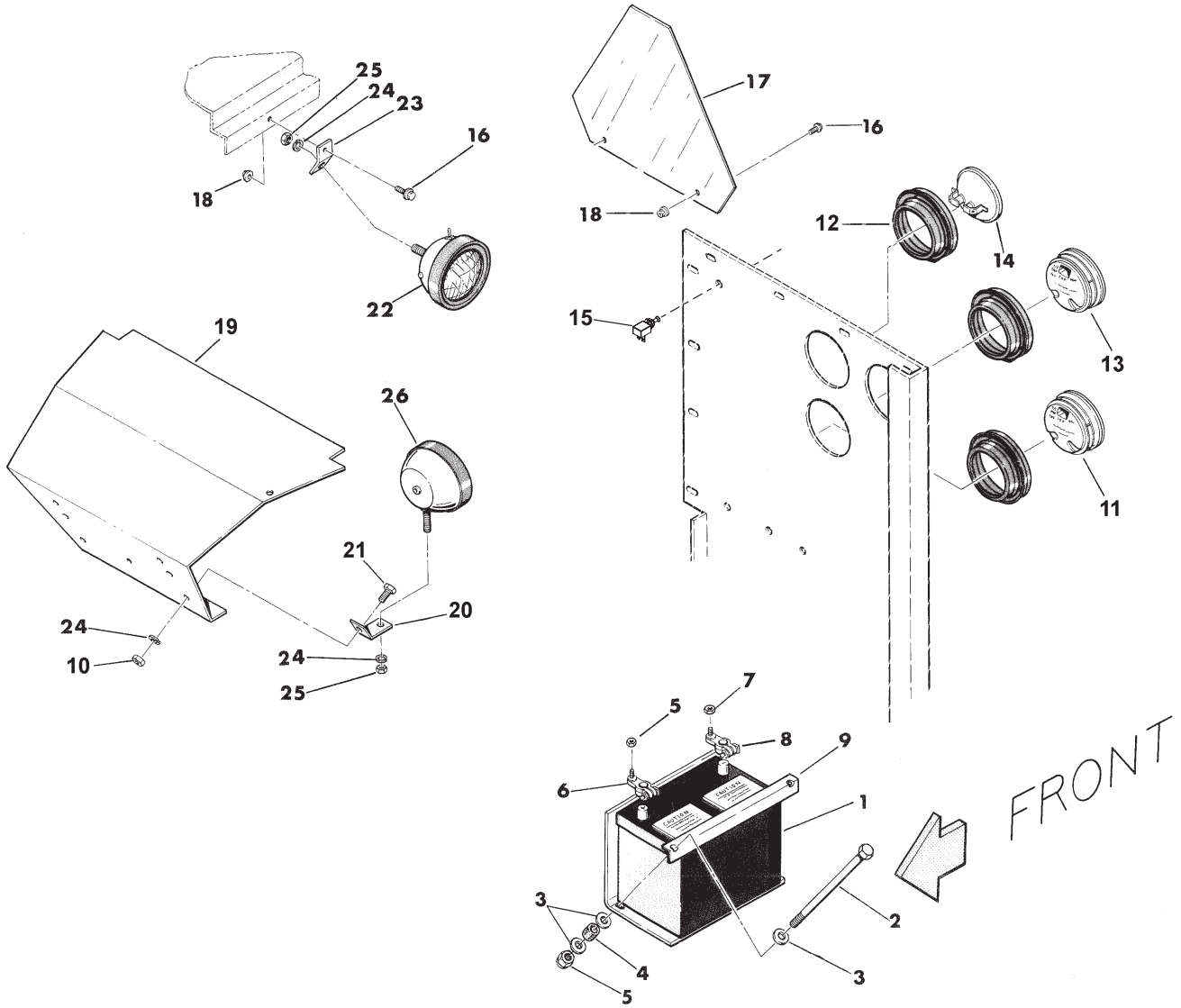
FAN RELAY CONTROL BOX



FAN RELAY CONTROL BOX

REF NO.	PART NO.	DESCRIPTION	QTY. USED	REF NO.	PART NO.	DESCRIPTION	QTY. USED
	ELC0174831	FAN SEQUENCER ASSY COMPLETE					
1	BOX0026818	FAN CONTROL BOX	1	14	REL0001112	RELAY-12 VOLTS	1
2	NMS0000109	CONDUIT LOCKNUT 3/4	2	15	220044	NUT, HEX; 10-32 NF ZC	4
3	SWI0005091	SWITCH, ON/OFF	2	16	00116090	WASHER, FLAT; #10 BRASS 7/16"OD	2
4	24841	CONNECTOR, CORD; 2536	2	17	00100766	MACH SCR; 10-32 X 3/4 RD SLOT HD	2
5	223799	NUT, ESNA; 10-32 NF ZC	4	18	TEB0472102	2 POST TERMINAL BLOCK	1
6	WIS0001000	WASHER #10	6	19	ELC0046019	INTEGRATED CIRCUIT	2
7	PNL0016830	FAN SEQUENCER PANEL	1	20	03-183	DECADE COUNTER	2
8	230640	MACH SCREW	6	21	ELC0046020	CIRCUIT TIMER	1
9	SMR6321500	MACH SCREW	1	22	SMR6320250	RND HD MS NC 6-32 X 1/4	3
10	WIS0000600	#6 INTERNAL STAR WASHER	4	23	CIR037559B	FAN SEQUENCE BOARD ASSY	1
11	NCH0006320	HEX NUT NC 6-32	7	24	SMR6320375	MACH SCR; 6-32 X 3/8 RD HD ZY	3
12	SPC0842500	1/4 X 3/4# 6 HEX ALUMINUM STANDOFF	4	25	R13806992	WASHER, LOCK; #10 REG HEL SPR ZY	2
13	WCT0000600	FLAT WASHER #6	1				

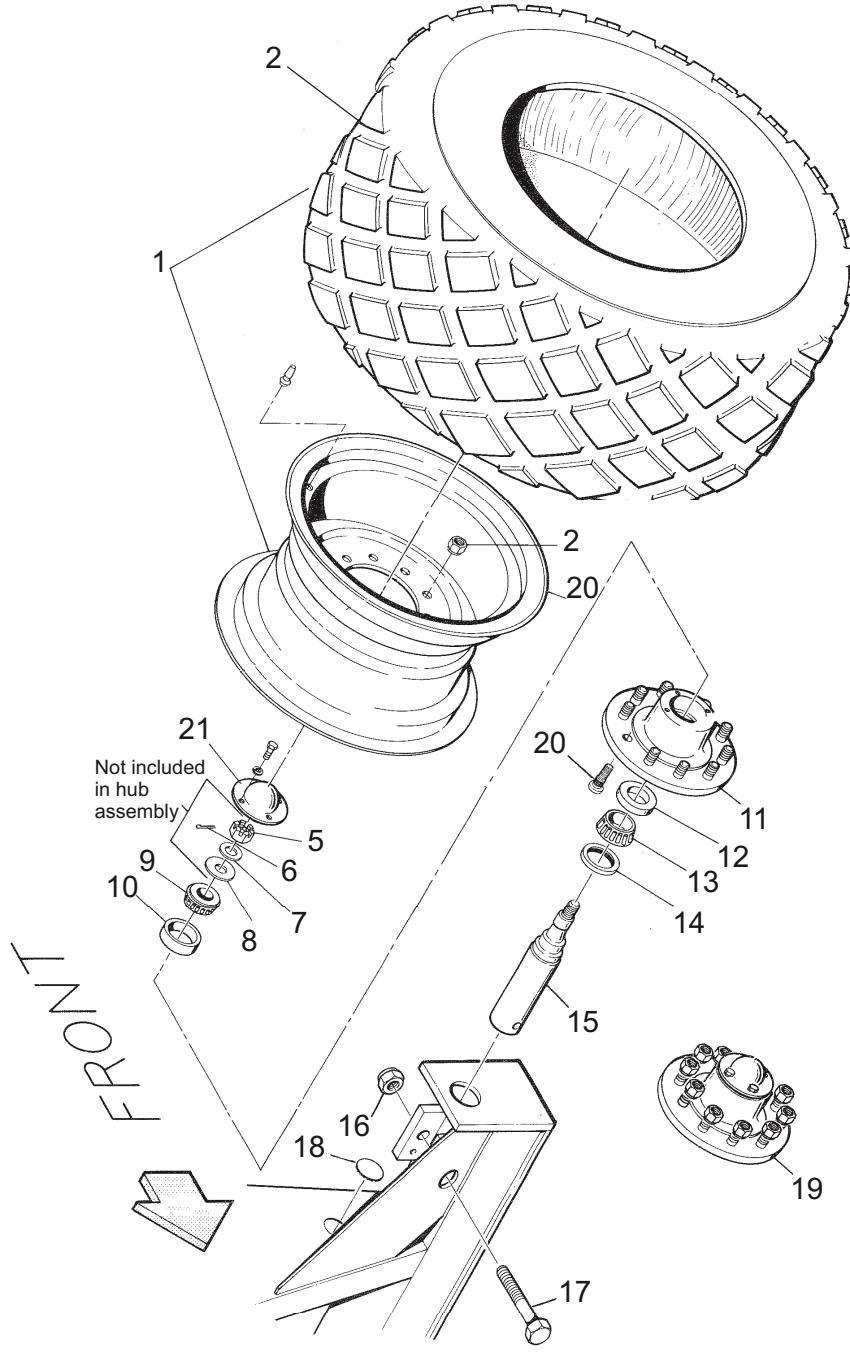
BATTERY AND LIGHTS ASSEMBLY



BATTERY AND LIGHTS ASSEMBLY

REF NO.	PART NO.	DESCRIPTION	QTY. USED	REF NO.	PART NO.	DESCRIPTION	QTY. USED
1	BAT0240060	BATTERY-12V GROUP 24-DRY CHARG	1	15	SWI0050002	SWITCH, PULL	1
2	F 0006551	BOLT 3/8 NC X 12 GRD 5 HEX PLTD	2	16	SMS0000177	BOLT, WHIZ; 5/16 NC X 1 ZC	4
3	WCT0000375	WASHER 3/8 FLAT	6	17	SGN0024006	"SLOW MOVING VEHICLE"	1
4	F 0006328	GROMMET-BATTERY HOLD DOWN	2	18	00273802	NUT, SERRATED; 5/16 NC GR5	4
5	237567	NUT, ESNA;A; 3/8 NC GR8	3	19	BKT0023511	MOUNT BRACKET AND SHIELD	1
6	BAT0000038	BATTERY TERMINAL -POS	1	20	BKT0016005	FRONT WORK LIGHT BRACKET	2
7	223588	5/16 NC ESNA NUT PLTD	1	21	234885	CAPSCREW; 1/2 NC X 1 GR8 HX ZC	2
8	03-204	BATTERY TERMINAL - NEG	1	22	LIT0029888	WORK LIGHT ASSY;*B; KNOTTER 1592	2
9	BKT0015916	BATTERY HOLD DOWN BRACKET	1	23	BKT0015956	KNOTTER WORK LIGHT BRACKET	2
10	234921	NUT, HEX; 1/2 NC GR8 ZC	2	24	234665	WASHER, LOCK; 1/2 REG HEL SPR ZC	2
11	LIT1410122	LIGHT RED 12 VOLT SEALED	2	25	R13812641	NUT, HEX; 1/2 NF GR8 ZY	2
12	GRM0127469	LIGHT GROMMET 12 VOLT SEALED	6	26	LIT0020171	WORK LIGHT ASSY	2
13	LIT1410112	DIRECTIONAL LAMP-COMPLETE	214				
14	LIT7072901	LIGHT-SEALED BEAM HALOGEN	2				

TIRE AND WHEEL ASSEMBLY



TIRE AND WHEEL ASSEMBLY

REF NO.	PART NO.	DESCRIPTION	QTY. USED
1	TIR0000001	TIRE/WHEEL, WHITE	2
2	TIR2312610	TIRE-GALAXY FOR 1592 + 2/97	2
3	WHL1029201	WHEEL - NO BRAKES -1592	2
	NMS0005708	SWIVEL FLANGE CAP NUT	20
	19-109	VALVE STEM	2
4	HUB0909915	HUB CAP	2
5	NSL0013750	1-3/8 SLOTTED NUT	2
6	COT0000807	3/16 X 2-1/2 COTTER PIN	2
7	WCT0137500	WASHER 1-3/8 FLAT	2
8	ZZ 0000238	MACH. BSNG 1-3/8 X 2-1/2 X 10 GA	2
9	BRG0000455	OUTER BEARING CONE	2
10	BRG0000453	BEARING CUP	2
11	HUB2871660	HUB W/INNER-OUTER BEARING-CAP	2
	STD9530331	WHEEL STUD	20
12	F 0007034	BEARING CUP	2
13	F 0007033	BEARING CONE	2
14	SEL0033772	GREASE SEAL	2
15	SPN0023108	WHEEL SPINDLE	2
16	NCE0012500	LOCKNUT ESNA 1-1/4 NC PLTD	2
17	SCC0001322	BOLT 1-1/4 NC X 8 GRD 5 HEX PLTD	2
18	PLU0051056	2-1/4 CHROME BUTTON HEAD PLUG	2
19	HUB0001592	HUB ASSY, COMPLETE	2
20	NMS0005708	SWIVEL FLANGE CAP NUT-WHEEL	20

PARTS INDEX

Part No.	Description	Page No.	Part No.	Description	Page No.
11079	FITTING, LUBE	68,70,90	ANC0016029	PICKUP LIFT SPRING ANCHOR	58
17951	NIPPLE 3/4 X 1/2 NPT STEEL HEX	102	ANC0020159	BAR,ANCHOR;B; .188 X 2FB X 7	84
19147	HOSE ASSY	108	ANC0023322	LEFT FRONT SHIELD ANCHOR	30
21205	NIPPLE 1 NPT X 3/4 NPT STEEL HEX	102	ANC0023403	RIGHT FRONT SHIELD ANCHOR	30
24841	CONNECTOR, CORD; 2536	148	ANC0023506	FRONT SHIELD ANCHOR	30
44799	KEY;A; .375 SQ X 1.5	84	ANC036000E	LEFT FEED FORK LINK ANCHOR	68
204770	RING, SNAP	68,70	ANC036001E	RIGHT FEED FORK LINK ANCHOR	68
209083	FITTING; ST-CG4-S	76,104	ANC037660B	FEED CHUTE LINER ANCHOR	72
209215	FITTING; ST-CG12-S	90	ANG0027391	PTO SHF CTR BRG MNT ANGLE	46
209488	ELBOW 1/2 JIC X 1/2 O-RING 90 DEG.	102	AO00000312	5/16" FABRIC WIRE LOOM	20
209506	BUSHING 3/4 NPT X 1/2 NPT STEEL	102	AO00000313	5/16" FABRIC WIRE LOOM 70" PC	124
209511	1/8 HEX HEAD STEEL PIPE PLUG	88	ARM0005001	1 1/2" ARM, LEVER W/ 3/4" ROLLER	90,100
209805	CONN. 1/2 JIC X 1/2 O-RING STR THD	102	ARM0005084	ARM, LEVER W/ 3" ROLLER	84,90
212763	NUT3/8 JIC	102	ARM0015370	BAR,CAM ARM;B; .313 X 2FB X 9.375	96
215515	CAP 1/2 JIC	102	ARM0015684	LIFT ARM F/PICKUP	58
217847	NUT, HEX; 5/8 NF GR8 ZY	68	ARM0022540	FEED SENSOR ARM ASSEMBLY	94
218584	REDUCER 1/2 JIC X 1/4 JIC	102	ARM0023120	FEEDER CRANK ARM	66
219382	TAPE, SAFETY WALK 4 WIDE	34	ARM0023168	FEEDER CRANK ARM	66
219897	CAPSCREW; 1 NF X 4 1/2 GR8 HX BLK	90	ARM0027984	P/U LIFT ARM ASSY	62
220577	CORD CONNECTOR, 3/8-1/2, 1/2 NPT	140,142	ARM0035388	FEED FORK ARM - 1592	68
229345	PLUG 1/2 O-RING HEX HD PLTD	102	ARM036060D	CRANK ARM NEEDLE YOKE DRIVE	90
229884	TERMINAL BLOCK; 4721-P14	90	ARM036131E	LEFT FEED FORK ARM- 1592 S/N 616+	68
230765	SWITCH, LIMIT	90	ARM0CH50843"	LEVER ARM W/3/4" ROLLER	78,138
231044	SEALING RING, 3/4	140,142	AUG0025183	P/U LEFT AUGER ASSY-EXTEN	60
241590	HOSE ASSY	102	AUG0025184	P/U RHT AUGER ASSY-EXT OPTION	60
243161	HOSE ASSY;*; 31-AE4-4-84	102,110	AUG0026178	LH P/U AUGER TROUGH 93"-	60
252510	RELAY 3PDT, 12 VDC	144	AUG0026179	RH P/U AUGER TROUGH -	60
252630	JACK	6	BAB008140Y	BARRIER BLOCK, 8 POSITION	144
253019	JACK HANDLE	6	BAB015140Y	BARRIER BLOCK, 15 POSITION	144
253183	LIP SEAL	120	BAF037731D	BAFFEL	120
253270	GEAR, PINION	84	BAR0025204	P/U TOOTH BAR PIPE-EXTE OPTION	56
253271	PIN	84	BAR0025880	KNOTTER TRIP ADJ. BAR ASSY	100
271283	FITTING, LUBE	84	BAR0026169	UPPER DEFLECTOR BLT RETAIN BAR	60
900014	LH KNOTTER COVER SUPPORT	34	BAR0026170	LOWER DEFLECTOR BLT RETAIN BAR	60
900015	RH KNOTTER COVER SUPPORT	34	BAR0027935	TWINE FINGER DRIVE TIE BAR	90,96
900046	BALANCED FLYWHEEL	52	BAT0000038	BATTERY TERMINAL -POS	150
900072	SHAFT	24	BAT0240060	BATTERY-12V GROUP 24-DRY CHARG	150
900239	MOUNTING WLDMT,CYL,*C; 1592	10	BCO0001131	COUNTER, LCD, 12V, RESETTABLE	140,142
900340	MOUNTING WLDMT	24	BGT0020150	BRKT;B; .25PL X 2.5 X 4.75	84
900343	SPACER	24	BKT0001398	RESISTOR MOUNT, OHMITE #9	144
900344	BAR,LINK	22,24	BKT0015602	TWN TENSIONER TWN GUIDE BRKT	98
900380	ARM WLDMT,RH	70	BKT0015687	P/UP LIFT STOP BRACKET	58
900381	ARM WLDMT,LH	70	BKT0015770	TNS CNTRL PUMP TENSION BRACKET	50
900390	LINK WLDMT FEED LOCATOR	70	BKT0015916	BATTERY HOLD DOWN BRACKET	150
900398	BASE WLDMT,LH	70	BKT0015956	KNOTTER WORK LIGHT BRACKET	150
900399	BASE WLDMT,RH	70	BKT0016005	FRONT WORK LIGHT BRACKET	150
900406	CABLE ASSY TEN CTRL TO CTRL BX	136	BKT0016157	BOTTOM LADDER STORAGE BRACKET	28
900408	TENSION CONTROL OVERLAY	142	BKT0016158	TOP LADDER STORAGE BRACKET	28
900416	MAIN CONTROL BOX ASSY	142	BKT0017448	2ND FEED SWITCH BKT -	78
03-183	DECADE COUNTER	148	BKT0018013	BULKHEAD BRACKET 5/8 TUBE	114
03-204	BATTERY TERMINAL - NEG	150	BKT0018160	BULKHEAD BRACKET 3/8	114
04-105	06-130,INDEX TRIP,RETURN	94	BKT0020148	CHAIN TIGHTENER BRACKET	76,78,90
06-125	3/8 CLEVIS	54	BKT0022078	TWINE FINGER RETURN SPRING BRKT	96
06-126	3/8 CLEVIS PIN	54	BKT0023355	NEEDLE YOKE GUARD BRACKET	26
082-0457	CRUSH WASHER	120	BKT0023414	ALTERNATOR MOUNT BRACKET	50
11-262	1" SPACER F/JUNCTION BOX	90	BKT0023423	ALTERNATOR BELT TENSION BRACKET	50
11-262	1" SPACER F/JUNC BLOCK	124	BKT0023462	TWINE GUIDE BRACKET	32
19-109	VALVE STEM	152	BKT0023472	HOSE SUPPORT BRCKT TENS CONTRL.	102
20-112	MOTOR MOUNT/STOP PAD	26	BKT0023474	MAKE-UP CYL HSE CLAMP BKT	10
399741W	DUP WHIZ BOLT 1/4-20 X 3/4"	30	BKT0023510	SERV LADDER HANDRAIL TOP BKT	38
ACM0800087	ACCUMULATOR 1 GAL CHARGED	102	BKT0023511	MOUNT BRACKET AND SHIELD	150
ALT1002116	ALTERNATOR	50	BKT0024068	BRACKET-KNOTTER TRIP SWITCH	100

PARTS INDEX CONT.

Part No.	Description	Page No.	Part No.	Description	Page No.
BKT0024175	LADDER HANDRAIL BRACKET	38	BRG0001001	2 BOLT 1"FLUSHMOUNT BALL BRG	96
BKT0024954	ACCUM. DUMP VALVE BRACKET	102	BRG0001016	NON SEALED-BEARING	68,70
BKT0025876	FLYWHEEL MNT ANCHOR BKT	52	BRG0001101	TOOTH BAR BEARING	56
BKT0026243	ALTERNATOR SUPT BKT ASY	52	BRG0002000	1ST FEEDER 1592 CRANK BEARING	64,76
BKT0027448	PTO SHAFT SHIELD BRACKET	46	BRG0002001	BEARING STAMPING F/BRG2000	64,76
BKT0031949	TENSION RETURN TUBE ANCHOR BKT	114	BRG0002002	LOCK COLLAR	64,76
BKT0032981	BRKT,MTG;	88	BRG0002029	CAM FOLLOWER BEARING 1/2"BORE	56
BKT0216260	L. H. FLYWHEEL FRAME MOUNT BKT	52	BRG0017508	NYLON TOOTH BAR BEARING	56
BKT0216261	R. H. FLYWHEEL FRAME MOUNT BKT	52	BRG0020016	P/U DRIVE SHAFT BUSHING	60
BKT0233410	L. H. FRT SLEEVE CVR SUPT BKT	52	BRG0022548	KNOTTER SHAFT CENTER BRG -1590	84,88
BKT0233411	R. H. FRT SLEEVE CVR SUPT BKT	52	BRG0067000	BEARING COMPLETE	60
BKT0235270	L. H. NEEDLE YOKE BRACKET	28	BRG0106250	1ST FEEDER TINE LINK BRG	64
BKT0235271	R. H. NEEDLE YOKE BRACKET-	28	BRG0193750	BEARING, FLG	90
BKT0263230	LH TWN GUIDE BRACKET-AFT/11-92	32	BRG0268250	2-11/16"PILLOW BLOCK BEARING	68,70,78
BKT0263231	RH TWN GUIDE BRACKET-AFT/11-92	32	BRG036008B	BEARING, FEED FORK FLAT	68,70
BKT0502999	BRACKET-PICKUP CLUTCH SHIELD	58	BRG037677D	2-3/16"PILLOW BLOCK BEARING	52
BKT1537100	BRKT,LH;B; .25 X 2.75FB X 3.5	96	BRG0507910	BEARING CUP-	66
BKT1537101	BRKT,RH;B; .25 X 2.75FB X 3.5	96	BRG0507949	BRG-TAPERED ROLLER	66
BKT1616200	L. H. P/U LIFT SPRING BRACKET	58	BRG2752125	2-3/4ID X 2 X .125 BUTT CUT RD BG	126
BKT1616201	R. H. P/U LIFT SPRING BRACKET	58	BRG3751125	3-3/4 ID X 1 X .125 HYDRO RING	126
BKT2350200	LH P/U LIFT SPRG ANCHOR BKT	58	BRGRCJ1375	1-3/8 4 BOLT FLANGE BEARING	84
BKT2350201	RH P/U LIFT SPRG ANCHOR BKT	58	BSH0001021	1-3/8 BORE X 3/8 KEYWAY BUSHG	60
BLK0015661	BELT TAKE-UP TIGHTENER BLOCK	52	BSH0001026	SHOCK ABSORBER BUSHING	68
BLT0000038	ALTERNATOR COG BELT	50	BSH0001026	SHOCK ABSORBER BUSHING- 3/4"ID	70
BLT0000042	COG BELT-MECHANICAL DRIVE UNIT	50	BSH0005625	"H" X 9/16"BUSHING	50
BLT0005950	BELT-COG (COG BELT)	50	BSH0006231	CAM LEVER ROLLER BUSH 60"+70"	56
BLT0026167	TROUGH HAY DEFLECTOR BELT	60	BSH0010125	1-1/4"SPECIAL BUSHING	90
BMP0004243	RUBBER BUMPER F/HOOD	34	BSH0015841	TWINE BOX DOOR LATCH BUSHING	32
BMP0093769	MOUNT,SANDWICH SNGL STUD	46	BSH0015842	TWN BX DOOR LATCH GUID.BUSHING	32
BOX0024949	L. H. TWINE BOX -AFT/3-92	32	BSH0020000	P/U FEED CRANK DRV BUSHING 2"	76
BOX0024950	R. H. TWINE BOX -AFT/3-92	32	BSH0021617	BUSHING F/CPL21616	52
BOX0026818	FAN CONTROL BOX	148	BSH0022979	BUSHING	84
BOX0035238	DIAGNOSTIC CONTROLLER BOX ASSY	136	BSH00226875	BUSHING F/1592 DRIVE SPROCKET	68,70,78
BOX0232370	LH TWINE BOX OPT. DIVIDER	32	BSH0101251	HUB- 1-1/4 5/16	76
BOX0232371	RH TWINE BOX OPT. DIVIDER	32	BSH0101502	QDSF X 1-1/2 BUSHING	78
BOX036041E	CONTROLLER ASSY,REMOTE	136,146	BSH0119375	BUSHING	90
BOX036048E	MAIN CONTROL BOX	140,142	BSH0121875	S1X2-3/16 BUSHING	50
BOX036050E	MAIN CONTROL BOX ASSY	30,140	BSH0193750	BUSHING	90
BOX0507654	LH TWINE BOX BOTTOM	32	BSH0221875	1/2-13 X 2-1/4 CAP SCREW-PLATED	50
BOX0507655	RH TWINE BOX BOTTOM	32	BSH0501129	BUSHING	58
BRC0023404	PL,BRACE;C; 10GA X 9 X 17.625	30	BSH0505909	2-1/2 X 1-3/4 X 14 GA MACH BUSH	54
BRC0025406	SERVICE LADDER BRACE-AFT/4-92	38	BSH1252012	BUSHING 1-1/4"BORE	60
BRC0025407	SERVICE LADDER BRACE-AFT/4-92	38	CAM0013897	FEEDER SWITCH CAM	68,78
BRC0233260	L. H. DOOR CENTER KNEE BRACE	26	CAM0015809	CAM WLDMT	84
BRC0233261	R. H. DOOR CENTER KNEE BRACE	26	CAM0015917	CHARGE SWITCH CAM	94
BRC0233290	L. H. DOOR REAR KNEE BRACE	26	CAM0017414	PICKUP REEL CAM	56
BRC0233291	R. H. DOOR REAR KNEE BRACE	26	CAM0027324	TWINE FINGER DRIVE CAM	90
BRC0233300	L. H. REAR KNEE BRACE	26	CAM1610500	CAM 1592 KNOTTER STOP	90
BRC0233301	R. H. REAR KNEE BRACE	26	CAM1610501	R.H. KNOTTER SWITCH CAM	90
BRC0233310	L. H. FRONT KNEE BRACE	26	CAP0046749	CAP FOR HUB348	56
BRC0233311	R. H. FRONT KNEE BRACE	26	CBK0005540	CIRCUIT BREAKER	30
BRC0233921	R. H. DOOR SUPPORT BRACE	26	CBK0014530	CIRCUIT BREAKER 30 A, TYPE II	144
BRG00000004	PLUNGER ROLLER BEARING -	18	CBL0011127	CABLE ASSY; 11127 (7 COND)	136
BRG00000008	FEED FORK ARM BEARING - 1592	68	CBT5151250	3/16 X 15-1/8 CABLE TIE	34
BRG00000008	FEED FORK ARM BEARING	70	CHN0005087	CHAIN	60
BRG00000010	ROLLER BEARING F/1592 TAIL CHUTE	24	CHN0006098	CHAIN, #60 - 98 PITCH	84,90
BRG00000021	2-3/16"PILLOW BLOCK BRG	52	CHN0008064	CHAIN -	76
BRG00000022	HEAVY DUTY CENTER BEARING	46	CHN0008090	CHAIN - NEEDLE YOKE DRIVE 1592	90
BRG00000063	FLANGETTE	60	CHN0044321	SAFETY CHAIN	42,44
BRG0000103	1-1/4"(2)BOLT BEARING+COLLAR	60	CHN0050177	CHAIN	60
BRG0000453	BEARING CUP	152	CHN0080100	2ND FDR DRV CHN	78
BRG0000455	OUTER BEARING CONE	152	CHN0506116	CHAIN 3/6 LONG LINK	34

PARTS INDEX CONT.

Part No.	Description	Page No.	Part No.	Description	Page No.
CHN375HT50	3/8" SELF-COLORED GRD 04 CHAIN	20,22	CVR0023598	TOOL BOX COVER ASSEMBLY	38
CHU0022765	INFEED CHUTE REAR PAN ASY	72	CVR0025413	REAR CLOSURE PLATE-AF/92	28
CHU0022767	INFEED CHUTE FRONT PAN	72	CVR0232361	R. H. TWN BX FILTER ACCESS CVR	32
CHU0028810	LFT INFEED CHUTE SIDE PLT-A/94	72	CVR0234290	LH FRONT ACCESS COVER ASY	36
CHU0028811	INFEED CHUTE RHT SIDE PLT-A/94	72	CVR0234291	RH FRONT ACCESS COVER ASY	36
CHU0035109	ROLLER BALE CHUTE ASSY	20,22,24	CVR036039E	REMOTE CONTROLLER COVER	146
CIR037559B	FAN SEQUENCE BOARD ASSY	148	CVR037639E	KNOTTER FAN SHROUD ASSEMBLY	34
CLH0017767	PICKUP DRIVE CLUTCH	60	CVR037735D	RH HALF PLUNGER CVR,SHLD	34
CLH0017773	P/UP CLUTCH ADAPTER	60	CVR037736D	LH HALF PLUNGER CVR,SHLD	34
CLH0017849	P/U CLUTCH DISC -	60	CYL0000205	P/U LIFT CYL F/1500 -	62,134
CLH0177009	FRICTION DISK	48	CYL0017120	PLUNGER CYL ROD END TIE ROD	126
CLH0377672	HEAVY DUTY SPRING PACK	48	CYL0017121	PLUNGER CYL BASE END TIE ROD	126
CLH0388110	TORQUE LIMITER CLUTCH	48,50	CYL0023690	PLUNGER CYLINDER HEAD	126
CLP0000002	SAFETY CLIPS F/10MM BALL	34	CYL0023692	PLUNGER CYLINDER BASE	126
CLP0000130	HOOK-TYPE FASTENER	38,58	CYL0023694	PLUNGER CYLINDER PISTON	126
CLP0010951	CLAMP 3/8	114	CYL0023695	PLUNGER CYLINDER CUSHION	126
CLP0022216	ACCUMULATOR CLIP 1/2 GREER	102	CYL0023697	PLUNGER CYL ROD PACK GLAND	126
CLP0022217	ACCUMULATOR CLIP 1/2 GREER	102	CYL0023699	PLUNGER CYLINDER ROD NUT	126
CLP0022526	FAN GUARD CLIP	34	CYL0023700	PLUNGER CYLINDER BARREL	126
CLP0100150	1-1/2 HYDRA ZORB HOSE CLAMP	10,114	CYL0023701	PLUNGER CYLINDER TRUNIION	126
CLP0411001	NUT 5/16 U-CLIP	124	CYL0024785	MAKE-UP CYLINDER-AF/8-91	10,128
CLP77001160	3/4 INSULATED HOSE CLAMP 13/32"	90	CYL0024787	MAKE-UP CYLINDER BARREL	128
CLP7701154	INSULATED HOSE CLAMP	114	CYL0024789	MAKE-UP CYLINDER PISTON	128
CLP7701158	HOSE CLAMP	114	CYL0024790	MAKE-UP CYLINDER HEAD	128
CLP7701163	1"INSULATED HOSE CLP W/13/32"	38,102	CYL0080614	GAS SPRING CYLINDER	28
CLP7701164	1-1/4 INSULATED HOSE CLAMP	102	CYL00TC408	TC4 X 8 HYD CYL-MODIFIED	8,112
CLP7701165	CLAMP, INSUL; 1.5, .406 HOLE	30	CYL037554E	PLUNGER CYLINDER SUB ASSEMBLY	10
CLR0002094	MOUNTING BLOCK - OIL COOLER	124	CYL0TC3516	TC3.5 X 16 HYD CYL - MODIFIED	8,112
CLR21133S1	OIL COOLER	102,124	DEF0029374	TWINE DEFLECTOR -1592	84
CLV0120014	3/8" X 2-1/2" CLEVIS - PLAIN	56	DOG0018250	SIDE HAY DOG	8
CLV0120045	3/4" X 3-3/4" CLEVIS - PLAIN	62	DOG0023159	TOP CHMBR DOG	8
CNK0000336	CONNECTING LINK- 3/8" A-336	20	DOR0232300	LH TWINE BOX DOOR	32
CNK0000800	CONNECTING LINK - #80	90	DOR0232301	RH TWINE BOX DOOR	32
CNK0000801	CONNECTING LINK-	76,78	DOR0232790	L.H. MAIN DOOR ASSY.	28
CNR0000010	VALVE CONNECTOR, 3 PIN DIN	74	DOR0232791	R. H. MAIN DOOR ASSEMBLY	28
CNR0000193	1/2" CORD CONN	78,84,90,138,140,142	DOR0233320	L. H. LOWER FRONT DOOR	28
CNR0000194	3/8 TO 1/2 CONNECTOR	108	DOR0233321	R. H. LOWER FRONT DOOR	28
CNR0000195	CONNECTOR, CORD	90	DPT0004000	BAFFLE ADAPTER F/WME4A	120
CNR0000195	GUIDE WASHER	100,140,142	DPT0018751	PUMP PILOT ADAPTER	52,102
CNR0000297	CORD CONNECTOR, 3/4-7/8, 3/4 NPT	140,142	DRV0087276	BEARING RING	42
CNR0000297	CORD CONNECTOR, 3/4-7/8, 3/4 NPT	142	DRV0087276	BEARING RING	44
CNR0001997	CONNECTOR F/ FIL3000	122	DRV0097133	INBOARD YOKE S4	44
COI0000002	SOLENOID VALVE COIL, 12DC	118	DRV0304046	SPRING PACK	42,44
COI0035G12	SOLENOID COIL 12 VDC	108	DRV0312209	U-JOINT KIT F/1500 REAR DRVLIN	42,44
COI6351010	SOLENOID VALVE COIL, 10 VDC	118	DRV0323155	FLANGE YOKE	44
COT0000301	3/32 X 3/4 COTTER PIN	96	DRV0323756	INNER PROFILE S4	44
COT0000501	1/8 X 3/4 COTTER PIN	56	DRV0355155	SUPPORT BEARING	42,44
COT0000502	1/8 X 1 COTTER PIN	54,56	DRV0362430	FRONT YOKE 1 3/8" FOR 21 SPLINE	42
COT0000503	1/8 X 1-1/4 COTTER PIN	8,62	DRV0362434	FRONT YOKE 1 3/4" FOR 20 SPLINE	42
COT0000801	3/16 X 1 COTTER PIN	28	DRV0365305	SCREW	42,44
COT0000806	3/16 X 2-1/4 COTTER PIN	54	DRV0365385	SHIELD CONE - 5 RIB	44
COT0000807	3/16 X 2-1/2 COTTER PIN	152	DRV0365387	SHIELD CONE 7-RIB	42
COV036130B	14 POST JUNCTION BLOCK SHIELD	90	DRV0365556	GUARD RING	44
CPL0018917	PMP DR. CPLG. HALF-BORED-WALDR	52	DRV0380371	ZERK FITTING	44
CPL0021616	PUMP DRIVE REAR COUPLING HALF	52	DRV0383333	DECAL OUT. IN ITEM 11	42,44
CPL0080104	1/2" HYDRAULIC QUICK COUPLER	62	DRV0383334	DECAL INN. IN ITEM C	42,44
CRA036495E	PL,CRANK;D; 2.5PL X 4.88 X 12.5	68,70	DRV0388109	HUB 1-3/4" 6 SPLINE	48
CRA036651D	MATCHED FEEDFORK CRANK PAIR	68	DRV0388242	INNER PROFILE FOR 21 SPLINE	42
CRB3130075	RIGHT FRONT SHIELD ANCHOR	30	DRV0388243	SLEEVE, TUBE & INBOARD YOKE 21SP	42
CVR0000001	HYD TANK CLEAN-OUT COVER	120	DRV0388944	INNER PROFILE FOR 20 SPLINE	42
CVR0016464	TWINE GUIDE COVER	32	DRV0389771	1-3/8"x21 FRNT SHF F/3PC DRVLN	46
CVR0023300	REAR PLUNGER COVER ASSY	34	DRV0389772	OUT SHIELD TUBE OVL	42

PARTS INDEX CONT.

Part No.	Description	Page No.	Part No.	Description	Page No.
DRV0389773	INN. SHIELD TUBE ROUND	42	F 0008383	FLANGETTE-NO ZERK F/F8102	56,60
DRV0389774	1-3/4"x20 FRNT SHF F/3PC DRVLN	46	F000000072	KEY F/ FLYWHEEL & PINION SHAFT	50
DRV0389775	SLEEVE, TUBE & INBOARD YOKE 20SP	42	F000000108	PICKUP BALANCE SPRING	98
DRV0389776	OUT SHIELD TUBE OVL	42	F000000159	BLOCK, LINK; A; .625 SQ BAR X 1.25	96
DRV0389777	INN. SHIELD TUBE ROUND	42	F000000220	HAY DOG PIN	8
DRV0389778	S5 PROFILE, SLEEVE, SHEILD SUPPORT	44	F000000225	KNOTTER DRIVE SHAFT KEY	90
DRV0389779	SECONDARY SHAFT F/3PC DRIVLINE	46	F000000246	KNOTTER BRAKE DISC WASHER	100
DRV0389780	OUTER SHIELD TUBE OVAL	44	F000000440	FERRULE	100
DRV0389781	INNER SHIELD TUBE RND	44	F000000658	14 GA. KNOTTER WORM WASHER	86
DRW0027718	CHAMBER PLATE WLDMT TOP CNTR	6	F000000659	18 GA. KNOTTER WORM WASHER	86
DRW0027720	PL, CHAMBER LH TOP	6	F000000747	RETURN SPRING	100
DRW0027721	PL, CHAMBER RH TOP	6	F000000759	OFFSET LINK - RC60	84,90
DRW035997B	BAR	10	F000000760	CONNECTING LINK- RC60	60,84,90
DRW035998E	SUPPORT WLDMT GIMBAL MAIN FRM	6	F000000856	TWINE & WIRE GUIDE BUSHING	98
DRW036468E	RAW BOX-TRACTOR REMOTE	146	F000000857	SNAP RING F/TWN GUIDE BUSHING	98
ELC0000334	SENDING UNIT- HYD TEMP	120	F000001441	CONN 1/8 NPT M X 1/4 ELBOW W/NUT	120,124
ELC0016762	MANUAL OPERATOR PENDANT	136	F000001517	TRIP SPRING R# 4635B	96,100
ELC0046019	INTEGRATED CIRCUIT	148	F000001572	CAM FOLLOWER-RESET-SADDLE LEV	96
ELC0046020	CIRCUIT TIMER	148	F000001618	METER WHEEL SHAFT BRG W/CLAMPS	94,100
ELC0174831	FAN SEQUENCER ASSY COMPLETE	30,148	F000001623	CLUTCH PAWL WASHER-200/270/330	96
F 0000025	CONNECTING LINK	60	F000001680	28 GA. KNOTTER WORM WASHER	86
F 0000123	OFFSET LINK	60	F000004137	1-1/2 X 1-3/8 X 2 BUSHING	80
F 0000172	3/4" STEEL SET COLLAR	94	F000004161	MACH BUSH 18GA	84
F 0000278	SPRING F/KNOTTER TRIP ARM	32	F000006675	3/4" JIC TO 1" ST FITTING	120,124
F 0000440	FERRULE	54	F000007400	1/8" TUBING 72"	124
F 0000856	TWINE & WIRE GUIDE BUSHING	32	F000007449	INSIDE BRAKE PLATE W/LINING	82
F 0000857	SNAP RING F/TWN GUIDE BUSHING	32	F000007450	OUTSIDE BRAKE PLATE W/LINING	82
F 0000967	SHIM F/PINION SHAFT BRG - 16GA	32	F000007453	BRAKE PLATE SPRING	82
F 0000967A	SHIM F/PINION SHAFT BRG - 20GA	32	F000007454	BRAKE LINING W/RIVETS (PAIR)	82
F 0000967B	SHIM F/PINION SHAFT BRG - 10GA	32	F000007541	COMPRESSION SPRING	98
F 0001007	CONTROL KNOB - 5/16 NC THREAD	32	F000007586	BUSHING F/SADDLE LEVER ANCHOR	100
F 0001441	1/4 X 1/8 90* ELBOW	88,92,120,122	F000007587	SADDLE LEVER ANCHOR SEAL	100
F 0001517	TRIP SPRING	54	F000007859	TWINE KNIFE SCREW	86
F 0001619	METER WHEEL SHAFT-BEARING ONLY	94	F000007860	KNIFE ARM WASHER 25 X 20 X .5M	86
F 0001654	OUTER BEARING CUP	56	F000007868	TWINE HOLDER	86
F 0001790	COMPRESSION SPRING F/PTO CLTCH	60	F000007870	TWINE DISC CLEANER	86
F 0001791	CLUTCH PIN	60	F000007871	TWINE HOLDER DISC WORM PINION	86
F 0001793	FRICTION DISC F/PTO CLUTCH	60	F000007876	KNOTTER WORM & SHAFT ASSEMBLY	86
F 0001797	CLUTCH PLT COMPRESSION SPRING	60	F000007890	TWINE TENSION TOP	98
F 0001889	FLANGETTE F/F1618 BEARING	94	F000007892	SPACER WASHER F/KNIFE ARM PIN	86
F 0001890	LOCKING COLLAR (PART OF REF#4)	94	F000007893	NUT F/KNIFE ARM PIN	86
F 0001909	BEARING CONE	56	F000007947	KNOTTER HOOK CAM ADJUST SPRING	86
F 0004104	3/8 X 3/8 X 1-1/2 KEY	78	F000007948	KNOT HOOK CAM ADJUSTING SCREW	86
F 0006328	GROMMET-BATTERY HOLD DOWN	150	F000007949	KNOTTER HOOK CAM ADJ SCREW-NUT	86
F 0006450	O-RING F/F6269 4-BOLT FLANGE	10	F000007976	SNAP RING F/KNIFE ARM SHAFT	86
F 0006551	BOLT 3/8 NC X 12 GRD 5 HEX PLTD	150	F000007977	1-3/8 X1-7/8 X .010 SPACER WASHER	80,84
F 0006675	CONN. 3/4" JIC X 1" NPT MALE	102	F000007978	1-3/8 X1-7/8 X .005 SPACER WASHER	84
F 0006684	1/4 JIC X 1/4 O-RNG ST THD CONN	78	F000007988	SNAP RING	80,84
F 0007033	BEARING CONE	152	F000008023	GUIDE WASHER	100
F 0007034	BEARING CUP	152	F000008049	TWINE KNIFE	86
F 0007904	3/8 X 3/8 X 2 KEY	56	F000008051	KNOTTER HOOK CAM	86
F 0008011	OUTER WHEEL BEARING CUP	60	F000008052	TWINE HOLDER SPRING	86
F 0008147	TWINE FINGER DRIVE ROD BUSHING	32	F000008068	SPACER F/BILL HOOK PIN - .020	86
F 0008197	TANK COVER F/F-8196	92	F000008069	SPACER F/BILL HOOK PIN - .032	86
F 0008198	GASKET F/AUTO LUBER TANK	92	F000008102	BEARING ASSY F/PICKUP SHAFT	56,60
F 0008199	SITE GAUGE F/AUTO LUBER TANK	92	F000008147	BUSHING, DRIVE ROD .625 DIA X .375	96
F 0008201	LUBER/KNOTTER SPROCKET	92	F000008274	ROLLER F/KNIFE ARM -PLATED	86
F 0008209	3/8" X 1/4" 90* BRASS MALE ELBOW	92	F000008275	SNAP RING F/KNIFE ARM ROLLER	86
F 0008264	RUBBER BUMPER	94	F000008280	1 MM WASHER-WORM SHF & KNF ARM	86
F 0008312	1/4 SLEEVE F/F1441	92	F000008287	FITTING, LUBE	88
F 0008380	BEARING & LOCK COLLAR	56,60	F000008288	FITTING, LUBE; 66716 (90* AUTO)	84,88
F 0008381	LOCKING COLLAR F/F8102	56,60	F000008290	3/16 X 7-1/4 CABLE TIE - BLACK	20,88

PARTS INDEX CONT.

Part No.	Description	Page No.	Part No.	Description	Page No.
F000008306	FERRULE F/AUTO LUBER FITTING	88	FIL0009052	1/4 IN-LINE FILTER	92
F000008312	1/4 SLEEVE F/F1441	88,122	FIL0010003	FILTER CAP COMPLETE W/SCREEN	92
FAN0250937	FAN BLADE F/KNOTTER BLOWER	34	FIL0164056	FILTER FOR PUMP	102
FAN5000212	BLADE ASSY - COOLER FAN 21"	124	FIL1731101	BREATHER FILTER, HYD TANK	120
FAN5002147	FAN & MOTOR ASSY F/OIL COOLER	124	FIL8800200	FILTER MANIFOLD	102
FD 0007111	25" X 4" WHITE "FREEMAN" DECAL	2,4	FLG0001501	1"SPLIT FLG W/O-RING &BOLT KIT	10,102,126
FD 0022124	DECAL,PATENT NUMBERS-HAY EQUIP	2,4	FLG0001660	1" CODE 62 BLIND FLANGE	10,126
FD 0022521	BALE LENGTH ADJ DECAL	2,4	FLT0034591	FEEDER BEARING SEAL FELT	66
FD 0023531	"DANGER! ROTATING DEVICE..."	2,4	FLT3125350	5/16 X 5/16 X 3-1/2 OD FELT RING	126
FD 0023537	"CAUTION!OPERATE AT 1000 RPM	2,4	FRK0035386	FEED FORK S/N 616+	68,70
FD 0023538	"WARNING!DO NOT RIDE ON..."	2,4	FRM0032270	FRAME WLDMT,ROLLER CHUTE	22,24
FD 0023951	DECAL LUG NUT	2,4	FRM0232910	R.H. TOP SHIELD SUPT ASB	26
FD 0024865	L. H. FREEMAN 1592 DECAL	2,4	FRM0232911	L.H. TOP SHIELD SUPT ASB	26
FD 0024866	R. H. FREEMAN 1592 DECALS	2,4	FRM036810E	MAIN FRAME W/2-PIECE TNG	6
FD 0025249	DECAL-HOIST BALER-LIFT POINTS	2,4	FRM037528E	FLYWHEEL MOUNT FRAME	52
FD 0028042	DECAL-SPROCKET ORIENTATION	2,4	FRM037556E	GIMBAL FRAME ASSY	10
FD 0029854	DECAL-FEEDER CRANK CAUTION	2,4	FST0010401	FOLDING HANDLE FASTNER	28,34,36,58,124
FD0000049D	DECAL-DUTCH VERSION	80	FT 0000113	CONNECTING LINK -	92
FD0000049E	DECAL-EUROPEAN VERSION	80	FT 0000114	OFFSET LINK -	92
FD0000060D	DECAL-DUTCH VERSION	80	FT 0000165	PUMP DRIVE CHAIN-	92
FD0000060E	DECAL-EUROPEAN VERSION	80	FT 0006205	ADJUSTING SCREW	54
FD0000061D	DECAL-DUTCH VERSION	80	FT00000113	LINK, CONNECTING; #41 CHAIN	84
FD0000061E	DECAL-EUROPEAN VERSION	80	FT00000114	OFFSET LINK - #41 CHAIN	84
FD00018808	HYD FLUID DECAL	124	FT00000165	PUMP DRIVE CHAIN-370 AUTO LUBER	84
FD00022521	BALE LENGTH ADJ DECAL	100	FUS0000025	FUSE HOLDER, 30 AMP	140,142
FD00023538	DECAL-"WARNING! DO NOT RIDE ON..."	80	FUS0000036	FUSE, AGC, 10 AMP	140,142
FD00023571	DECAL-"DANGER! SERIOUS INJURY"	80	GAG0064051	GAUGE-THERMOMETER SIGHT	120
FD00023582	DECAL-"WARNING! KEEP HANDS...."	80	GAG0082112	GAUGE VOLTAGE METER 12V NEG	124
FD00028042	DECAL;A; SPROCKET ORIENTATION	78	GAG0082115	OIL TEMP GAUGE S/W82-115	124
FD0036049E	MAIN GRAPHIC OVERLAY	140,142	GAG2335003	TENSION SYS PRESSURE GUAGE F/1592	124
FD0036059A	TENSION CONTROL OVERLAY	140	GAG2335010	GAUGE LIQ FILL HYD 10000 PSI 4"	124
FD0037145B	"D" DECAL	4	GER0006068	MODULAR CAM GEAR	84
FD0505626	DECAL-TAPE BLK/YELLOW 3"	2	GER0007873	HARDENED KNOTTER WORM PINION	86
FD0505626	DECAL-TAPE BLK/YELLOW 3"	4	GRD0004432	CAGE F/KNOTTER BLOWER-COMplete	34
FD70000108	DECAL-KEEP SHIELDS IN PLACE	2,4	GRD0022486	CENTER FEED CHUTE GUARD	72
FD70000170	DECAL-RED REFLECTOR	2,4,22	GRD0022492	CENTER FEEDER GUARD	72
FD70000434	DECAL-MADE IN USA	2,4	GRD0025282	WIND GRD 98-1/2" -F/93" STD PU	54
FD70000445	DECAL-LIFT POINT	2,4	GRD0224960	LH OUTSIDE FEEDER GUARD	72
FD70000722	DECAL-YELLOW REFLECTOR STICKON	2,4,22	GRD0224961	RH OUTSIDE FEEDER GUARD	72
FD7000A896	DECAL-WARNING MOVING PARTS	2,4	GRD0233110	L. H. NEEDLE YOKE GUARD	28
FD7000A897	DECAL-DANGER BALER INTAKE	2,4	GRD0233111	R. H. NEEDLE YOKE GUARD	28
FD7000A919	DECAL-WARNING DRIVELINE	2,4	GRD0505568	PICKUP DRIVE CHAIN GUARD	60,76
FD7000A920	DECAL-DANGER FALLING HAZARD	2,4	GRD0506125	GUARD - FAN OIL COOLER	124
FD7000A923	DECAL-WARNING FORK CRANK	2,4	GRD0506144	PICKUP DRIVE SHAFT GUARD	60
FD7000A925	DECAL-WARNING USE LADDER	2,4	GRD2521300	LFT OUTSIDE CHUTE GRD-MODIFIED	72
FD7000A932	DECAL-WARNING READ MANUAL	2,4	GRD2521301	RHT OUTSIDE CHUTE GRD-MODIFIED	72
FD7000A933	DECAL-WARNING MOVING,CRUSH	2,4	GRL0023379	OIL COOLER GRILL	124
FD7000A934	DECAL-WARNING NEEDLE FRAME	4	GRM0002285	7/8ID 1-1/8OD 1/16GRV GROMMET	34
FD7000A936	DECAL-WARNING KNOTTERS	2,4	GRM0127469	LIGHT GROMMET 12 VOLT SEALED	150
FD7000A937	DECAL-WARNING ALLOW TO STOP	2,4	GSK0000001	GASKET-PANEL SWITCH SEAL	140,142
FD7000A938	DECAL-READ OPERATORS MANUAL	2,4	GSK0000RG4	GASKET - FILTER HOUSING	122
FD7000A943	DECAL-OIL REQUIREMENT	2,4	GUD0018010	P/U SHIELD GUIDE ASSEMBLY	58
FD7000A944	DECAL-TOWING PRECAUTION	2,4	GUD0018011	P/U SHIELD GUIDE ASSEMBLY	58
FD7000A952	DECAL-DRAWBAR HITCH	2,4	GUD0018012	P/U SHIELD GUIDE ASSEMBLY	58
FD7000A961	DECAL-SHUTDOWN DIAGNOSTIC	2,4	GUD2527800	L. H. WIND GUARD MOUNT GUIDE	54
FD7000A983	DECAL-NOTICE TO OWNER	2,4	GUD2527801	R. H. WIND GUARD MOUNT GUIDE	54
FD7001A948	DECAL-FAN SWITCH	2,4	HAN0000150	PLATED DOOR HANDLE	58
FEN1763200	L. H. PICKUP FENDER FLARE	56	HAN0000817	CHROME GRAB HANDLE-	36
FEN1763201	R. H. PICKUP FENDER FLARE	56	HAN6210603	LIFT-N-LATCH HANDLE	28
FIL0000003	FILTER-SUCTION F/1592 TNS PUMP	120	HNG0023458	SHEAVE FRONT SHIELD HINGE	36
FIL0001592	FILTER	120,122	HNG0023485	HINGE	38
FIL0003000	ELEMENT F/1592 MAIN HYD FILTER	122	HNG0232330	LH TOP HINGE PIN-AT/11-89	32

PARTS INDEX CONT.

Part No.	Description	Page No.	Part No.	Description	Page No.
HNG0232331	RH TOP HINGE PIN-AF/11-89	32	HRN0018306	WIRE HARN-CONTROL BOX GROUND	136
HNG0233390	L. H. LOWER DOOR HINGE	28	HRN0018332	WIRE HARN-2ND FEEDER VALVE	136
HNG0233391	R. H. LOWER DOOR HINGE	28	HRN0018333	WIRE HARN-KNOTTER VALVE	136
HNG0235070	L. H. LOWER FRONT DOOR HINGE	32	HRN0020858	WIRE HARN OIL LEVEL/TEMP RELAY	136
HNG0235071	R. H. LOWER FRONT DOOR HINGE	32	HRN0021076	WIRING HARN P/U WORK LIGHT	136
HNG1598500	L. H. PLUNGER COVER HINGE SECT	34	HRN0021867	TEN RLF SOLENOID VLV HARNESS	136
HNG1598501	R. H. PLUNGER COVER HINGE SECT	34	HRN0021990	SWITCH GROUND WIRE	136
HNG1598600	L. H. PLUNGER COVER HINGE SECT	34	HRN0022703	OIL LEVEL SWITCH HARNESS-1592	136
HNG1598601	R. H. PLUNGER COVER HINGE SECT	34	HRN0023512	WIRE HARNESS L5-11 TO CONTRL BX	136
HOS0015761	HOSE TENS CONTROL CYL	112,116	HRN0023514	HARN KNT FAN SWI TO JUNC BLK	136
HOS0015762	HOSE TENS CONTROL CYL	112,116	HRN0023541	YELLOW INDICATOR LIGHT	136
HOS0015874	PLUNGER CYL HOSE-6000PSI	10,102,106,110	HRN0023542	STOP/TAIL LIGHT HARNESS	136
HOS0016624	HOSE-VALVE MANIFOLD PILOT	102,106,108,110	HRN0023548	CONTROL BOX TO FAN RELAY	136
HOS0016631	HOSE ASSY	108,110	HRN0024294	REAR LIGHT WIRE HRN	136
HOS0016649	HOSE-RETURN FEEDER VALVE	102,110,120	HRN0024697	WIRE HARN-2COND. LS-7 TO JB-2	136
HOS0016658	HOSE-PICKUP LIFT SUPPLY	62	HRN0024698	WIRING HRN LIGHT SWITCH TO JB5	136
HOS0020543	HYDRAULIC HOSE	102,106	HRN0024699	BATTERY TO POWER SWITCH	136
HOS0020760	PICKUP LIFT CYLINDER HOSE	62	HRN0024700	WIR HRN 30 AMP CB TO FAN RELAY	136
HOS0020947	HOSE-TC STYLE TENS CYL	112,116	HRN0024702	WIRING HARN FAN RELAY TO MOTOR	136
HOS0020948	HOSE-TC STYLE TENS CYL	112,116	HRN0024914	WIRE HARNESS JB-1 TO TB-1	136
HOS0022137	HOSE-CONTRL VLV TO DUMP VLV	102,106,124	HRN0025998	SOLENOID TO GROUND WIRING HRN	136
HOS0023435	HOSE-FEED KNOTTER MNFLD RETURN	102,120	HRN0025999	FAN RELAY TO CTL BOX WIRNG BOX	136
HOS0023438	HOSE-FEED FORK MOTOR	108	HRN0026051	40 AMP CB TO BATTERY WIRNG HRN	136
HOS0023451	LH MAKE-UP CYL BASE-FDR LEG BH	10,102,110	HRN0029820	WIRE HRN KNT WORK LIGHT	136
HOS0023452	RIGHT MAKE-UP CYL HOSE	10,102,110	HRN0031170	SERVO-CONTROLLER WIR HARNESS	136
HOS0023455	HOSE-FEED MOTOR CASE DRAIN	110	HRN036134E	GAUGE PANEL / JB-4 WIRE HARNESS	136
HOS0023460	HOSE-ACCUMULATOR DISCHARGE	102,106	HRN0361350	1/2 CORD CONNECTOR(.375-.500)	142
HOS0023488	HOSE-PUMP SUCTION	102,106,120	HRN036135D	REMOTE HARNESS RECEPTACLE ASSY	140,144
HOS0023494	TENSION PUMP SUCTION HOSE	50,116,120	HRN036152D	JB-5 TO 7 POLE CONN. WIRE HARN	136
HOS0024293	LONG P/U LIFT HSE	62	HRN036158B	DIAGNOSTIC CONTROL REC HARNESS	140,158
HOS0024887	PLUNGER CYLINDER HOSE	10,102,106,110	HRN036181B	DRAWBAR TO MAIN CONT. BOX HARN	136
HOS0024889	PLG CYLINDER ROD END HSE	10,102,106,110	HRN036217D	WIRE HARN-CONTROL BOX TO JB-2	136
HOS0024973	HOSE-PLUNGER VALVE	102,106	HRN036239B	LS-13 SWITCH HARNESS TO JB-2	136
HOS0024980	HOSE-PRESSURE RETRACE	102,106	HRN0365090	HARNESS, LS-1 SWITCH TO JB-2	136
HOS0024984	HOSE-LEFT MAKE UP CYLINDER 54"	102,106	HRN0365100	WIRE HARN-3COND. LS-12 TO JB-2	136
HOS0025038	HOSE-TENSION REGULATOR TO TANK	116,120	HRN036644D	ALT. TO TB-4 & BAT WIRE HRNSS	136
HOS0025040	HOSE-PUMP CASE DRAIN-CK & RLF	102,106,120	HRN037425B	LS-5 SWITCH TO MAIN CONTROL BOX	136
HOS0028188	HOSE-CONTR. VLV TO 10 PRES GAUGE	102,106	HRN037426B	LS-8 TO TB-2 SWITCH HARNESS	136
HOS0032166	FEEDER MANIFOLD PRES HOSE	102,106,110	HSG0026245	ALTERNATOR HOUSING	52
HOS0032167	HOSE PMP-FDR VLV PRES PORT	102,106,110	HSN0017505	P/U P TOOTH BAR BRG HSG-ASSEMBL	56
HOS0035162	HOSE- PUMP SUCTION	102,106,120	HSN0023116	BEARING HOUSING	66
HOS036689A	FEEDER VLV TO FEEDER MOTOR HOSE	102,110,	HSN0027989	EXTEND P/U AUGER BRG HSN-	60
HOS036690A	TENSION PUMP HOSE	50,116	HSN0177008	HOUSING & DRIVE PLATE	48
HOS036692A	HOSEKNOTTER MANIFOLD TANK PORT	110,120	HSN0388108	CLUTCH HOUSING	48
HOS036693A	HOSE-OIL COOLER BYPASS	102,106,120	HTB0010003	1/4 x 1-1/4 NC HEX TAP BOLT	100
HOS036694A	HOSE TENSION MAN TO BOT CYL. SUP	112,116	HTB0030006	HEX HD S-TAP NC 3/8 X 2"-PLTD	98
HOS036695A	TEN MANIFOLD TO BOT CYL.RET HOSE	112,116	HTH0021484	OPTIONAL BALL HITCH MOUNT	40
HOS036696A	TEN MANIFOLD TO RH CYL RET HOSE	112,116	HTH0021490	HITCH BALL	40
HOS036697A	TEN MANIFOLD TO RH CYL SUP HOSE	112,116	HUB0000348	HUB W/BRGS & SEALS	56
HOS036698A	HOSE TENSION MAN TO RH CYL RET	112,114,116	HUB0001592	HUB ASSY, COMPLETE	152
HOS036699A	HOSE TENSION MANIFOLD RETURN	112,114,116	HUB000BT12	HUB ONLY	56
HOS036700A	HOSE TENSION MANIFOLD SUPPLY	112,114,116	HUB0909915	HUB CAP	152
HOS036701A	HOSE TEN PRESSURE GAUGE	124	HUB2871660	HUB W/INNER-OUTER BEARING-CAP	152
HOS036702A	RETURN FILTER TO RET MANIFD HOSE	120	HYD00004EC	THREADED END CAP	132
HRN0017598	WIRE HARN-2COND. LS-3 TO JB-2	136	HYD0000705	1/8 NPT MULTI-PURPOSE AIR VENT	62
HRN0017621	WIRE HARN-2COND. LS-6 TO TB-3	136	HYD000TC4NP	PISTON LOCK NUT	132
HRN0017641	HRN00178665COND. LS4-TB2 & TB3	136	HYD000TC4S	SHAFT ASSEMBLY	132
HRN0017867	WIRE HARN-2 COND. LS-2 TO JB-2	136	HYD0010000	PULSATION DAMPENERS F/23350	102,124
HRN0017874	FRT.AMB.WARNING LIGHT HRNESS	136	HYD0162037	INDICATOR - REMOTE HYDRAULIC	124
HRN0018297	WIRE HARNESS JB-4 TO HRN0024702	136	HYD3069021	1/8 NPT STL HEX NIPPLE	88
HRN0018301	WIRE HARN-BATTERY GROUND STRAP	136	HYD3069032	NIPPLE 1/4X3/8 NPT HEX	92
HRN0018303	WIRE HARN-FAN CONTRL BOX GRND	136	HYD3069070	BUSHING 1" NPT HEX STEEL	102

PARTS INDEX CONT.

Part No.	Description	Page No.	Part No.	Description	Page No.
HYD3109031	3/8 X 1/8 STEEL PIPE BUSHING	62	HYD7629040	1/2 O-RING	120
HYD3109096	1-1/2 X 3/4 STEEL PIPE BUSHING	120	HYO00FA2U	SHAFT PACKING (SET)	134
HYD3159022	PIPE PLUG 1-1/2 HEX STEEL	120	HYP TC4P	CLEVIS PIN	132
HYD3159060	PIPE PLUG 3/4 HEX STEEL	120	HYP TC35N	PISTON LOCK NUT	130
HYD3169030	3/8 SOCKET HD STEEL PIPE PLUG	60	HYP TC35O	HEAD O-RING ASSEMBLY	130
HYD3249060	ADAPTER 3/4 O-RING X 3/4 NPT MLE	102	HYP FA22P	CLEVIS PIN W/COTTER PIN	10,128
HYD3269044	ADAPTER 1/2 O-RING X 1/2 NPT FMLE	102	HYP00035EC	THEADED END CAP	130
HYD3409020	STREET ELBOW 1/4 X 90 DEG.	102,124	HYP000FA2E	PISTON HEAD	134
HYD3609030	3/8 NPT STEEL MALE BRANCH TEE	62	HYP000FA2G	PACKING GLAND	134
HYD3709070	PIPE TEE 1" FEMALE STEEL	102	HYP000FA2M	STEEL WASHER	134
HYD3959060	CROSS 3/4 STEEL PIPE	102	HYP000FA2N	PISTON LOCK NUT	134
HYD5015062	3/4 TO 1/4 JIC TUBE REDUCER	74,102,108	HYP000FA2O	O-RING	134
HYD5105062	CONN. 12F JIC X 4M JIC STR	104	HYP000FA2P	CLEVIS PIN FOR CYL205	62,134
HYD5129020	1/4" JIC CAP	74,102,104,108,118	HYP000FA2T	PACKING GLAND BOLT W/LKWSR	134
HYD5129060	SENDING UNIT- HYD TEMP	120	HYP000FA2V	PISTON	134
HYD5205033	3/8 JIC X 3/8 NPT MALE CONN	62	HYP000FA4P	CLEVIS PIN WITH COTTER PIN	8
HYD5205054	5/8 JIC X 1/2 NPT MALE CONN	120	HYP00FA2LR	HEAD LOCKING RING	134
HYD5205060	CONN. 3/4 JIC X 3/4 NPT M	120	HYP00FA2PO	PISTON O-RING ASSEMBLY	134
HYD5205070	1" JIC X 1" NPT MALE CONN	10,102	HYP00FA2RW	ROD WIPER	134
HYD5205092	1-1/2JIC X 2 NPT MALE CONN	120	HYP00FA2SO	SMALL O-RING	134
HYD5205100	CONN 1-1/4 JIC 1-1/4 NPT M	120	HYP0FA25-C	TUBE ASSEMBLY	134
HYD5205120	1-1/4 JIC X 1-1/2 NPT CONNECT	120	HYP0FA25-S	SHAFT ASSEMBLY	134
HYD5255022	CONN. 1/4 JIC X 1/4 NPT FMLE	102,124	IMP0026006	3/8" PLASTIC SLEEVE ONLY	92
HYD5275080	CONN. 1" JIC X 1" NPT FML BULKHEAD	102	IMP0026106	3/8 NUT & SLEEVE ASSEMBLY	92
HYD5315020	STR. THD. CONN., -4 ORING X -4 JIC	118	KEY0000010	KEY FOR SWI0000100 PAIR OF 2	140,142
HYD5315023	CONN. 1/4 JIC X 3/8 O-RING STR THD	102	KEY0331737	KEY	48
HYD5315033	3/8 JIC X 3/8 O-RNG ST THD CONN	118	KIT0000010	SEAL KIT FOR VLV0000416	108
HYD5315034	3/8 JIC X 1/2 O-RING STR THREAD CON	118	KIT0000013	SEAL KIT F/MLV1592CBG	108
HYD5315043	CONN. 1/2 JIC X 3/8 O-RING STR THD	102,108	KIT0000017	O-RING SEAL KIT F/MLV17304	108
HYD5315060	3/4JIC X 3/4 O-RNG ST THD	74,76,102,108,118	KIT0013120	SEAL KIT-PLUNGER CYL. VALVE	104
HYD5315065	3/4 JIC X 5/8 O-RING ST THD CONN	118	KIT0030000	ELEMENT KIT (2 ELEMENT AND CONN)	122
HYD5315067	3/4JIC X 1" O-RNG ST THD CONN	78	KIT046J515	SEAL KIT F/MLV046J515	108
HYD5315121	CONN. 1-1/2 JIC X 1-1/4 O-RING	102	KIT0991010	SEAL KIT F/MLV0000026	108
HYD5325030	BULKHEAD UNION 3/8 JIC	114	KITV507949	BEARING SEAL	66
HYD5325050	BULKHEAD UNION 5/8 JIC	114	KNF0014787	MAIN FRAME STATION KNIFE	22
HYD5355121	1-1/2JIC X 1-1/2NPT 45*	120	KNF0022602	PLUNGER CENTER KNIFE	18
HYD5365051	ELB 1-1/2 JIC X 1-1/2 O-RING 45 DEG.	102	KNT0015323	ROD,BRG PED	84
HYD5365060	ELBOW 12M JIC X 12M ADJ 45 DEG	108	KNT0018949	KNOTTER BRAKE DISC	82
HYD5365080	ELBOW 16M O-RING X 16M JIC 45 DEG.	104	KNT0020500	KNOTTER TRIP FRICTION DISC	100
HYD5375030	3/8 JIC 45* BLKHD UNION ELBOW	62	KNT0021748	KNOTTER TIMING POINTER	84
HYD5405060	3/4 JIC X 3/4 NPT M 90 ELBOW	112,120	KNT0024098	METER WHEEL ASSY	100
HYD5515030	ELBOW 6M JIC X 6M ADJ. 90 DEG.	104	KNT0029387	KNOTTER ANCHOR ASSEMBLY -1592	84
HYD5515043	1/2 JIC X 3/8 O-RING 90* ELBOW	50	KNT0031232	KNOTTER TRIP METER BAR	100
HYD5515045	1/2 JIC X 5/8 O-RING 90* ELBOW	50	KNT0060060	KNOTTER FRAME ONLY	86
HYD5515060	ELBOW 3/4 JIC X 3/4 O-RING 90 DEG	108	KNT0600600	KNOTTER HEAD ASSEMBLY -1592	84,86,88
HYD5515070	ELBOW 16M X 16M JIC 90 DEG.	104	KOB0000102	REMOTE BOX MOUNTING KNOB-	146
HYD5525030	3/8 JIC X 90* BLKHD UNION ELB	62,102	LAT0000201	RUBBER DRAW LATCH	36
HYD5605060	BRNCH TEE 3/4 M X 12M JIC X 12 M JIC	112	LDR0016139	PORTABLE LADDER	28
HYD5706060	3/4" JIC SWIVEL RUN TEE	74,102	LDR0023313	SERVICE LADDER ASSEMBLY -	38
HYD5716020	1/4 TUBE 1/4 O-RING RUN TEE	118	LEV0015533	KNOTTER TRIP RESET LEVER	100
HYD5716060	RUN TEE 3/4 JIC X 3/4 MALE	102	LEV0015534	KNTR TRIP METER BAR LEVER	100
HYD5716060	TEE 12 JIC X 12M ADJ. STR THD	104	LEV0015537	KNOTTER TRIP SPRING LEVER	100
HYD5755444	RUN TEE 1/2 JIC X 1/2 NPT MALE	102	LEV0015603	TWINE TENSIONER-SPRING LEVER	98
HYD5924030	3/8 BULKHEAD NUT	62,102,114	LEV0022476	TWINE TENSION LEVER ASSY -1592	98
HYD5924050	BULKHEAD NUT 5/8	114	LEV0023055	TOOTH BAR CAM LEVER	56
HYD5924080	BULKHEAD NUT 1"	102	LEV2527900	L.H. MNTD WINDGRD SPRING LEVER	54
HYD7237020	PLUG 6M	104	LEV2527901	R.H. MNTD WINDGRD SPRING LEVER	54
HYD7237030	HEX HD PLUG 3/8 O-RING PLTD	108	LIN0016227	BEAM SUPPORT WEAR LINER -1592	8
HYD7237040	HEX HD PLUG 1/2 O-RING PLTD	108	LIN0017159	RESET LEVER WEAR LINER	100
HYD7237050	HEX HD PLUG 5/8 O-RING PLTD	108	LIN0027227	LH CTR CHMB LINER PLT-36" C/O	14
HYD7237060	PLUG 12M	104,108	LIN0027230	FRT CTR CHMB LINER PLT-36" C/O	14
HYD7237080	PLUG 16M	104	LIN0027232	CENTER REAR CHMB LINER-36" C/O	14

PARTS INDEX CONT.

Part No.	Description	Page No.	Part No.	Description	Page No.
LIN0027234	RH REAR CHAMBER LINER -36" C/O	14	MNT0024734	LFT MAKEUP CYL MNT-A/8-91	18
LIN0027235	LH REAR CHAMBER LINER -36" C/O	14	MNT0024735	RT MAKEUP CYL MNT-AF-8\91-1590	18
LIN0027251	RH FRONT CHAMBER LINER-36" C/O	14	MNT0026340	BAR,MTG	20
LIN0027684	CENTER CHM LINER AND BALE DOG	22	MNT0028883	PTO SHAFT BRG MNT-A/8-94	46
LIN0276830	LH OUTSIDE CHM LINER/BALE DOG	22	MNT0033217	REMOTE CONTROLLER MOUNT	146
LIN0276831	RH OUTSIDE CHM LINER/BALE DOG	22	MNT0231010	LH FRONT TWINE BOX MOUNT	32
LIN035768D	L FNT CHMB LINER-FOR 34.5"	12	MNT0231011	RH FRONT TWINE BOX MOUNT	32
LIN035771D	CTR FNT CHMB LINER-FOR 34.5"	12	MNT0231020	LH REAR TWINE BOX MOUNT	32
LIN035773D	R FNT CHMB LINER-FOR 34.5"	12	MNT0231021	RH REAR TWINE BOX MOUNT	32
LIN035775D	L REAR CHMB LINER-FOR 34.5"	12	MNT0233030	L. H. GAS SPRING FRM MNT ASSY	26
LIN035778D	CTR REAR CHMB LINER-FOR 34.5"	12	MNT0233031	R. H. GAS SPRING FRM MNT ASSY	26
LIN035780D	R REAR CHMB LINER-FOR 34.5"	12	MNT0252940	LH REAR GAS SPG/BUMP MNT -A/92	26
LIN037661E	OPTIONAL FEED CHUTE LINER,UHMMW	72	MNT0252941	RH REAR GAS SPG/BUMP MNT -A/92	26
LIT0020171	WORK LIGHT ASSY	150	MNT037717A	FAN SHROUD SPRING MOUNT	34
LIT0029888	WORK LIGHT ASSY;*B; KNOTTER 1592	150	MNT037719B	SOLENOID VALVE MOUNT	74
LIT1410112	DIRECTIONAL LAMP-COMPLETE	150	MNT0505622	MOUNT-SOLENOID VALVE	102
LIT1410122	LIGHT RED 12 VOLT SEALED	150	MNT1656800	MOUNTING WLDMT,LH NEEDLE YOKE	80
LIT7072901	LIGHT-SEALED BEAM HALOGEN	150	MNT1660700	L.H. CHAFF SHIELD MOUNT	98
LITXVLA124	LED INDICATOR LAMP, 12 VDC	140	MNT1660701	R.H. CHAFF SHIELD MOUNT	98
LITXVLA124	LED INDICATOR LAMP, 12 VDC	142	MNT2527600	L.H. OPTIONAL MNTD WINDGRD MNT	54
LNK0015541	KNOTTER TRIP SPRING LINK -1500	100	MNT2527601	R.H. OPTIONAL MNTD WINDGRD MNT	54
LNK0023133	FEEDER TINE LINK	64	MNT2541200	L. H. REAR SHIELD/CLOSURE PLT	28
LNK0025281	WIND GUARD SPRING LINK	54	MNT2541201	R. H. REAR SHIELD/CLOSURE PLT	28
LNK0025692	FEEDFORK LINK PIN	70	MNT2617500	LEFT TWINE TENSIONER MOUNT	98
LNK0027739	TWN TENS RELEASE LNK-AF/10-93	98	MNT2617501	RIGHT TWINE TENSIONER MOUNT	98
LNK0231330	FEEDER TINE LINK ASSY	64	MNT5061131	RH MOUNT, DOOR STAY	32
LNK036011B	BAR,LINK;B; .75 X 3FB X 21	68	MNT5064110	LH MOUNT, DOOR STAY	32
LNK036291B	PIN,LINK;B	68	MSR0010140	MARKER STRIP 10 POSITION	144
LOK0017500	1-3/4 LOCK COLLAR	66	MSR008140Y	MARKER STRIP 8 POSITION	144
LTH1584700	L. H. TWINE BOX DOOR LATCH	32	MSR015140Y	MARKER STRIP 15 POSITION	144
LTH1584701	R. H. TWINE BOX DOOR LATCH	32	MTR0022706	KNOTTER FAN MOTOR W/LEADS	34
LUB0017169	LUBER TANK ONLY-1592	92	MTR1091104	MOTOR -	76,102
LUB0047200	1/8" STRAIGHT RELIEF FITTING	66	MTR1091105	MOTOR	90
LUB0083924	COMP NUT/SLEEVE F/ SL42 LUB833116	88	MTR1121067	MOTOR-	78
LUB0833111	LUBER ASSY, MANIFOLD, 1 HOLE	88	MTR5000211	FAN MOTOR ONLY	124
LUB0833116	LUBER ASSY, MANIFOLD, 6 HOLE	88	NYL0001250	1/8 NYLAFLOW TUBING - TYPE LP	88
MNF036773D	TENSION VALVE MANIFOLD	118	OFL0000102	OFFSET LINK-	76,78,90
MNF036786E	TENSION CONTROL MANIFOLD ASSY	118	PCY0013464	PICKUP FINGER	56
MNT0013456	PICKUP TOOTH MOUNT	56	PCY0017634	P/U STRIPPER MOUNT ANGLE	56
MNT0015325	PL,RH MTG	84	PCY0023053	PICK UP REEL PLATE	56
MNT0015328	L. H. KNOTTER MOUNT ASSY	84	PCY0025859	P/U LEFT HAND STRIPPER	56
MNT0015373	TWINE FING DRIV CENT BRG MNT	84,96	PCY0025860	P/U CENTER STRIPPER	56
MNT0015802	PL,MTG;B; .25PL X 2.375 X 5	84	PCY0025861	P/U RIGHT HAND STRIPPER	56
MNT0015823	PLUNGER SWITCH MOUNT	138	PCY0028026	P/U FRAME - 93"	56,58,60
MNT0015827	PLGR SWITCH MTG CHNL ASB	138	PDL0015668	LH FEED SENSOR PADDLE- 38"	94
MNT0015848	PL,MTG;B; .25PL X 5.813 X 8.312	90	PDL0017210	RH FEED SENSOR PADDLE-38"	94
MNT0015856	ACCUMULATOR MOUNT	102	PDL0027207	RH FEED SENSOR PADDLE -36" C/O	94
MNT0017158	WEAR LINER MOUNT	100	PDL0027208	LH FEED SENSOR PADDLE -36" C/O	94
MNT0018742	SAE "AA" 2-BOLT PUMP MNT	50	PDL035816E	LH FEED SENSOR PADDLE,34-1/2"	94
MNT0018946	CHAR LYNN 6000 MOTOR MNT -1500	78	PDL035817E	RH FEED SENSOR PADDLE,34-1/2"	94
MNT0018954	PL,MTG;B; .25PL X 4.125 X 8.375	82	PIN0015507	PICKUP PIVOT PIN	58,60
MNT0020255	CHANNEL	10,114	PIN0015610	TWINE TENSION LEVER PIVOT PIN	98
MNT0020946	OIL COOLER FAN MOUNT	124	PIN0021155	PORTABLE LADDER PIN	28
MNT0022342	ADJUSTMENT BAR MOUNT	100	PIN0023475	SIDE DOOR HINGE PIN	28
MNT0023278	DRV UNIT BELT TAKEUP	52	PIN0024791	PLUNGER CYLINDER PIN	10
MNT0023283	MAIN DOOR MOUNT ASSEMBLY	26	PIN00FHR44	SPRING PLUNGER PIN	100
MNT0023288	TENS CONTROL PUMP MNT BKT	50	PIN0375125	3/8 X 1-1/4 SNAPPER PIN	58,84
MNT0023349	OIL COOLER MOUNT	124	PLG0014974	PLUNGER SLIDE SHIM	18
MNT0023391	CONTROL FAN BOX MOUNT	30	PLG0014979	REAR PLUNGER ROLLER BOLT	18
MNT0023468	TENSION PUMP MOUNT ASSY	52	PLG0022711	NUT F/PLGR ROLLER BOLT-1590/92	18
MNT0023489	L DOR SUP BRC W/ BAT MNT	26	PLG0022713	BAR,RAIL	6
MNT0024096	P/U LIFT CYL MNT-1592	62	PLG0024471	FRONT MAKE UP CYL MOUNT BOLT	10

PARTS INDEX CONT.

Part No.	Description	Page No.	Part No.	Description	Page No.
PLG0024740	FRT PLG ROLLER BOLT AF/8-91	18	RNG0023161	THRUST RING	66
PLG036161B	LEFT PLNGR FACE EXT, 34-1/2 CHMB	12	RNG0023420	O-RING VITON 90 DURO	126
PLG036163B	RIGHT PLUNGER FACE EXT, 34-1/2"	12	RNG0030107	WEAR RING	128
PLG036797E	PLUNGER FRM ASSY	18	RNG0149396	RETAINING RING F/SLV0149918	52
PLG036817B	OUTSIDE PLUNGER FACE EXT	12,14,16	RNG0170012	SEALING RING	48
PLG036818B	CENTER PLUNGER FACE EXT	12,14,16	RNG0175048	SEAL RING	48
PLG036821B	OUTSIDE PLUNGER FACE SUPPORT	16	RNG0367718	RING	48
PLG036822B	CENTER PLUNGER FACE SUPPORT	16	RNG0367720	SETTING RING	48
PLG036829B	LEFT PLNGR FACE EXT, 36 CHMB	14	RNG0702100	RETAINING RING	48
PLG036831B	RIGHT PLUNGER FACE EXT, 36"	14	RNG5100275	SNAP RING, EXTERNAL	68,70
PLG036833B	LEFT PLUNGER FACE EXTENSION	16	RNG5160175	1-3/4"H.D.EXTERNAL SNAP RING	50
PLG036835B	RIGHT PLUNGER FACE EXTENSION	16	ROD0000160	RH ROD END YOKE SIDE	80
PLG2599100	LH PLUNGER SLIDE RAIL-AFT/9-92	18	ROD0000600	ROD END L	94
PLG2599101	RH PLUNGER SLIDE RAIL-AFT/9-92	18	ROD0001600	L. H. ROD END	90
PLT0021486	BALL HITCH TOP PLATE	40	ROD0015498	DRIVE BELT TAKE UP ROD	52
PLT0021487	BALL HITCH BOTTOM PLATE	40	ROD0015503	NEEDLE YOKE DRIVE ROD	80
PLT0021488	CLEVIS PIN PLATE	40	ROD0015503	NEEDLE YOKE DRIVE ROD	90
PLT0022880	ADJUSTMENT PIN PLATE	100	ROD0015671	FEED SENSOR GUIDE ROD	94
PLT0035716	REMOTE CONTROLLER ELECTRONICS	146	ROD0015719	CHAIN TIGHTENER ADJUSTMENT ROD	78,90
PLT0367725	DRIVE PLATE	48	ROD0017217	NEEDLE YOKE DRIVE ROD	76
PLT0367726	DRIVE PLATE	48	ROD0017218	ROD;A; 1/2 NC X 8 FULL THD	84
PLT10951SP	SAFETY PLATE	114	ROD0021408	TWINE FINGER DRIVE ROD-A/4/95	96
PLU0035136	PLUG;A ROLLER CHUTE	20,24	ROD0023528	DOOR BUMPER ADJ. ROD BOLT	26
PLU0051056	2-1/4 CHROME BUTTON HEAD PLUG	152	ROD0023698	PLUNGER CYLINDER ROD	126
PLU0506009	PLUG, STAY DOOR	32	ROD0024786	MAKE-UP CYLINDER ROD	128
PMP0000003	AUTO LUBER PUMP	92	ROD0025263	P/U BALANCE SPG ROD F/EXTEND	58
PMP0000090	PUMP-SERIES 90	102	ROD0025329	P/U MNT WINDGRD SPG ADJUST ROD	54
PMP0022226	LEFT HAND PUMP	50	ROD0026174	TWN TENS TAKE UP ROD	98
PMP1111002	PUMP CONTROLLER	102	ROD0027726	TWINE TENSION RESET LEVER-AFT	98,100
PMP3301972	DUAL PUMP, MAIN	102	ROL0022066	ROLLER F/TWN NEEDLE-A/88	80
PNL0016830	FAN SEQUENCER PANEL	148	ROL0035115	ROLLER ASSEMBLY	24
PNL036045E	MAIN CONTROL PANEL	144	RS00006002	BILL HOOK BUSHING	86
PNL036047E	CONTROL PANEL ASSY	140,142	RS00006003	TWINE DISC BUSHING F/KNT60060	86
PPE0000750	3/4 CLOSE NIPPLE BLACK STEEL	120	RS00006035	BILL HOOK F/KNT6006	86
PPE0001000	1" CLOSE NIPPLE BLACK STEEL	120	RS00006036	TRIGGER ONLY F/RS6035 BILL HK	86
PPE0500250	1/2" X 1/4" STD BLK HEX BUSH	92	RS00006050	KNIFE ARM A3K4	86
PPE1250300	1/8 X 3 STD BLK PIPE NIPPLE	88	RS00006085	TWINE DISC RETAINER	86
PPE2001500	2 X1-1/2 STD BLK HEX BUSH	120	RS00010500	5MM WASHER-WORM SHF & KNF ARM	86
RAL0023318	SERVICE LADDER HANDRAIL ASSY.	38	RS00602201	KNIFE ARM BUSHING	86
RAL0024152	SIDE RAIL ASSEMBLY	38	RS03451926	PIN F/BILL HOOK CAM & SPRING	86
RAL0024153	REAR RAIL ASSEMBLY	38	RS05187344	ROLL PIN F/NODULR KNTR TRIGGER	86
REL0000332	RELAY SPDT	124	RS206377212	PIN FOR KNIFE ARM COMPLETE	86
REL0001002	RELAY SOCKET	144	SEL00000028	SEAL KIT FOR VLV00000015	118
REL0001112	RELAY-12 VOLTS	148	SEL00000044	SEAL KIT FOR VLV00000044	118
REL5058962	RELAY DPDT MAG LATCH, 12VDC	144	SEL00000045	SEAL KIT FOR VLV00000045	118
REL5058963	RELAY, SPDT 40 AMP 12 VDC	144	SEL00000049	SEAL KIT FOR VLV00000049	118
RES0045019	RESISTOR 100 OHM 50 W,	144	SEL00000051	SEAL KIT FOR VLV00000051	118
RES0045022	RESISTOR 200 OHM 50 W,	144	SEL00000059	SEAL KIT FOR VLV00000059	118
RET0023770	PLUNGER CYL GLAND RETAINER	126	SEL00000063	SEAL KIT F/VLV00000063	118
RET0023771	RETAINER, TWINE BALL	32	SEL00000KT4	SEAL KIT (INC. REF. 2,4,5,9 & 11)	132
RIV0000106	RIVET F/KNOTTER BRAKE LINING	82	SEL0001143	ROD SEAL	128
RIV0000604	3/16X1/4 STAINLESS GRIP RIVET	36,38,58,124	SEL0001182	PLUNGER CYLINDER ROD SEAL	126
RIV0000604	POP RIVET	124	SEL0001505	SEAL KIT F/CYL0000205	134
RNG0000045	O-RING- MECHANICAL DRIVE PUMP	102	SEL0002006	SEAL KIT-CHECK VALVE CARTRIDGE	104
RNG0000RG2	O-RING SQUARE	122	SEL00003006	SEAL KIT-RELIEF VALVE CARTRIDGE	104
RNG0002219	O-RING VITON 90 DURO	126	SEL0010006	SEAL KIT-NEEDLE VALVE CARTRIDGE	104
RNG0002230	WEAR RING	128	SEL0010006	SEAL KIT-RELIEF VALVE CARTRIDGE	104
RNG0002245	DURO POLYURETHANE O-RING	126	SEL0017006	SEAL KIT-PILOT CLOSE CHECK CART.	104
RNG0003912	O-RING V894-90 VITON 90 DURO	90	SEL0019006	SEAL KIT-LOGIC VALVE CARTRIDGE	104
RNG0004914	PISTON RING	126	SEL0024785	SEAL KIT FOR CYL0024785	128
RNG0005262	SEALING RING, 1/2	140,142	SEL0033772	GREASE SEAL	152
RNG0008342	BACKUP RING	126	SEL0034823	SEAL F/HUB	56

PARTS INDEX CONT.

Part No.	Description	Page No.	Part No.	Description	Page No.
SEL0047311	SEAL KIT	92	SHF0030951	SHAFT,KNOTTER	84
SEL0061234	REAR SEAL KIT	102	SHF0035112	SHAFT	24
SEL0061236	FRONT SEAL KIT	102	SHF0035370	LEFT FEED FORK CRANK SHAFT + 616	68,70
SEL0149223	GREASE SEAL F/SLV0149918	52	SHF0035371	RIGHT FEED FORK CRANK SHAFT	68,70
SEL0600652	SEAL KIT	102	SHF0035372	MAIN FEEDFORK SHAFT	68,70
SELOT03516	SEAL KIT F/CYL0TC3516	130	SHF036496D	SHAFT,DRIVE;C; 2.688 DIA X 10	68,70
SGN0024006	"SLOW MOVING VEHICLE"	150	SHM0000103	SHIM-1-3/8"STEEL	80,84
SHD0016584	TWINE TENSION CHAFF SHIELD	98	SHM0000105	1-3/8"X 1-7/8 X.020 STEEL SHIM	84
SHD0017292	5 POST JUNCTION BLOCK SHIELD	136	SHM0021483	HITCH BALL SHIM	40
SHD0020822	SHIELD-10 POST JUNC. BLOCK	124	SHM0022717	REAR ROLLER RAIL SHIM	6
SHD0023180	5 POST JUNC BLOCK SHIELD	30	SHM0022718	FRONT ROLLER SHIM -1590	18
SHD0023286	TOP LEFT SHIELD	28	SHM0022727	REAR ROLLER RAIL SHIM	6
SHD0023287	TOP RIGHT SHIELD	28	SHM0023544	SHIELD SUPPORT SHIM	26
SHD0023373	LEFT FAN SHIELD	124	SHM0023545	SHIELD SUPPORT SHIM	26
SHD0023375	RIGHT FAN SHIELD	124	SHM0027993	OUTSIDE PLG KNIFE SHIM-A/11-93	18
SHD0023399	LOWER RIGHT FRONT SHIELD	30	SHM0027994	OUTSIDE PLG KNIFE SHIM-A/11-93	18
SHD0023412	DRIVE UNIT TOP SHIELD	36	SHM0028130	PLNGR ROD END SHIM (.015)	10
SHD0023422	MAIN SHEAVE BOTTOM SHIELD	36	SHM0028363	PLNGR ROD END SHIM (.032)	10
SHD0023440	FLYWHEEL FRONT SHIELD BOTTOM	52	SHM0226040	16 GA CENTER KNIFE SHIM	18
SHD0023442	SHEAVE FRONT LOWER SHIELD-	36,62	SHM0226041	30 GA CENTER KNIFE SHIM	18
SHD0024071	LOWER LEFT FRT SHIELD	30	SHM037359A	FLYWHEEL BRG SHIM-16GA	52
SHD0026246	FLYWHEEL FRT SHD TOP ASSY	52	SHM037360A	FLYWHEEL BRG SHIM-30GA	52
SHD0027342	RIGHT P/U SHIELD	58	SHM037463A	FLYWHEEL BRG SHIM-10GA	52
SHD0027343	LEFT P/U SHIELD	58	SHR0023365	OIL COOLER SHIELD	124
SHD0032078	LEFT REAR SHIELD	28	SHR0023371	OIL COOLER FAN SHROUD	124
SHD0032079	RIGHT REAR SHIELD	28	SHV0000079	SHEAVE	50
SHD0096569	STAY, SHIELD DOOR	32	SHV0000080	FLYWHEEL & DRIVE SHEAVE	50
SHD0234050	TOP FRONT SHIELD, LEFT	36	SHV0000250	SHEAVE	50
SHD0234051	TOP FRONT SHIELD, RIGHT	36	SLV0015542	KNOTTER TRIP PIVOT BOLT SLEEVE	100
SHD0235000	L. H. DRIVE UNIT DUST SHD	36	SLV0018935	SLEEVE;A; .75 OD X 1.625	68,70
SHD0235001	R.H. DRIVE UNIT DUST SHD	36	SLV0149918	SLEEVE	52
SHD0235050	L.H. DRV UNIT SHIELD ASB	36	SOK0000001	METAL BALL SOK END FITTING	34
SHD0235051	R.H. DRV UNIT SHIELD ASB	36	SOK0000014	RECEPTACLE,CONNECTOR	146
SHD0235080	L. H. SHEAVE DUST SHIELD	36	SOK0012063	SOCKET-7 CONDUCTOR	36
SHD0235081	R. H. SHEAVE DUST SHIELD	36	SOK2031181	RELAY SOCKET	144
SHD0237720	LH SIDE DUST SHD ASSY	36	SOL0024059	CONTINUOUS DUTY SOLENOID	30,136
SHD0237721	RH SIDE DUST SHD-HESSTON ACCUM	36	SPC0015399	TUBE;A; 2 OD X .375WL X 2.75	84
SHD0237730	L.H. REAR DUST SHD ASSY	36	SPC0015400	SPACER	84
SHD0237731	R.H. REAR DUST SHD ASSY	36	SPC0016001	PL,SPACER;A; 10GA X 194 X 3.188	84
SHD036133E	UPPER FRONT SHEAVE SHIELD	36	SPC0016465	TWINE GUIDE COVER SPACER	32
SHD037078E	PTO SHAFT SHIELD -W/DECAL	46	SPC0016659	P/UP LIFT SPRING ANCHOR SPACER	58
SHD0502998	SHIELD - PICKUP CLUTCH	58	SPC0017429	SPACER - HEAT EXCHANGER	124
SHD0506642	SHIELD, PTO CLUTCH COVER	36	SPC0017669	P/UP IDLER SPROCKET SPACER	60
SHD2734400	LH P/U SIDE SHIELD SUPT.	58	SPC0021489	CLEVIS PLT SPACER	40
SHD2734401	RH P/U SIDE SHIELD SUPT.	58	SPC0022551	KNOTTER SHAFT SPACER 1 -1592	84
SHD5076881	LH P/U BACKING SHIELD	58	SPC0022552	KNTR SHAFT SPACER 1-7/8"	84
SHD5076890	RH P/U BACKING SHIELD	58	SPC0022554	KNOTTER SHAFT SPACER	84
SHF0015527	METER WHEEL SHAFT	100	SPC0023264	BAR,SPACER;B; 1 X 2FB X 15	68,70
SHF0022555	NEEDLE YOKE DRIVE SHAFT -1590	90	SPC0023265	BAR,SPACER;B; .5 X 2FB X 28	68,70
SHF0022557	RH TWN FINGER DRV SHFT-AF/94	96	SPC0023370	SPACER-HEAT EXCHANGER	124
SHF0023127	FEEDER CRANK SHAFT ASSEMBLY	64	SPC0023696	PLUNGER CYL TRUNION SPACER	126
SHF0023127	FEEDER CRANK SHAFT	76	SPC0024097	P/U LIFT CYL MNT SPACER	62
SHF0023128	CRANK SHAFT	66	SPC0025340	MNTD WINDGRD SPG SPACER/SLIDER	54
SHF0023129	CRANK SHAFT	66	SPC0025812	SPACER;A; 1 OD X .219WL X .625	20
SHF0023130	LEFT BEARING SHAFT	66	SPC0028022	ALTERNATOR SPACER	50
SHF0023131	RIGHT BEARING SHAFT	66	SPC0034397	FEEDER BEARING SEAL SPACER	66
SHF0023203	SHAFT ASSY DETAIL(INC. 5-10 & 16)	66	SPC035999A	GIMBAL FRAME SPACER,	10
SHF0023204	SHAFT ASSY DETAIL(INC. 5-11)	66	SPC036086A	CONTROL PANEL SPACER	140,142
SHF0023255	PRIMARY DRIVE SHAFT	52	SPC036111A	CONTROL PANEL SPACER	140,142
SHF0025191	P/U REEL SHAFT	56	SPC0506402	SPACER, KNOTTER FANS	34
SHF0025234	93" PICKUP DRIVE SHAFT	60	SPC0842500	1/4 X 3/4# 6 HEX ALUMINUM STANDOFF	148
SHF0028935	LH TWN FINGER DRV SHFT-AF/94	96	SPG0000090	90 LB GAS SPRING	34

PARTS INDEX CONT.

Part No.	Description	Page No.	Part No.	Description	Page No.
SPG0010555	BRAKE ACTUATING CYLINDER SPRNG	54	SUP1763501	RH PICKUP SHIELD SUPPORT	58
SPG0011549	RETURN SPRING	108	SUP5061231	RH KNOTTER COVER SUPPORT	34
SPG0017462	PICKUP LIFT SPRING	58	SUP5061240	LH KNOTTER COVER SUPPORT	34
SPG0023160	HAY DOG SPRING	8	SUP5061370	LEFT SIDE FRNT CHANNEL SUPPORT	26
SPG0023737	PLUNGER CYLINDER SPRING	126	SUP5061381	RIGHT SIDE FRONT CHANNEL SUPPT	26
SPG0025309	WINDGUARD OVERTRAVEL SPRING	54	SWI0000003	ROCKER SWITCH, 2 POS. MAINT	140,142
SPG0025466	KNT HOOK CAM ADJ SPRING-FORMED	86	SWI0000007	SWITCH, ROCKER	146
SPG0035137	SPRING, EXT	20,24	SWI0000100	KEYSWITCH JAF 1592-635 & BEFORE	140,142
SPG0332185	LEAF SPRING	48	SWI0000824	SWITCH - LIQUID LEVEL	120
SPG2090200	RELAY HOLD DOWN SPRING	144	SWI0005079	LIMIT SWITCH -4 POST	78,84
SPK0000536	SPROCKET	60	SWI0005081	SWITCH, LIMIT	90,100,142,146,148
SPK0000554	SPROCKET -	60	SWI0050002	SWITCH, PULL	150
SPK0002416	SPROCKET IDLER	60	SWI00VDD1S	TOGGLE SWITCH	142
SPK0005023	SPK 1-1/4BORE 1/4	60	SWI037704D	ASSY, SWITCH ; LS-4,	138
SPK0005035	SPK 1-1/4BORE 1/4	60	SWI037705B	ASSY,SWITCH ; B; LS-5,	138
SPK0005041	SPROCKET TAPER LOCK	60	SWI037706B	ASSY,SWITCH ;B; LS-6,	138
SPK0006056	SPROCKET, NEEDLE YOKE DRIVE 56 T	90	SWI037708B	ASSY,SWITCH ; LS-8,	138
SPK0008072	SPROCKET 80E72 MARTIN	68	SWI037709B	ASSY,SWITCH ; LS-9,	138
SPK0015698	1592 NEEDLE YOKE DRIVE SPROCKET	90	SWI037710B	ASSY,SWITCH ; LS-10,	138
SPK0016363	SPROCKET	84	SWI0CH5079	SWITCH LIMIT 4 POSITION	138
SPK0017769	P/UP DRIVE SPROCKET	60	SWI0CH5081	SWITCH, LIMIT 8 POSITION	138
SPK0028041	FEED FORK SPROCKET-A/93	70,78	TBE0023717	TUBE-FRONT TENSION RETURN	114,116
SPK0041401	1592 KNOTTER SHAFT SPROCKET	84	TBE0023718	TUBE-FRONT TENSION PRESSURE	114,116
SPK0080140	SPROCKET-KNOTTER BRAKE-1592	90	TBE0023719	TUBE-FRONT TENSION PILOT	102,114,116
SPK0080190	SPROCKET -	76	TBE0024975	TUBE-PLUNGER VLV-BULKHEAD	102,106
SPK0080210	SPROCKET	78	TC 000004C	TUBE ASSEMBLY	132
SPK0080360	SPROCKET	60,76	TC 000004E	HEAD	132
SPK011536S	IDLER SPROCKET	60,76,84	TC 000004O	HEAD O-RING ASSEMBLY	132
SPK0602202	1592 PICKUP DRIVE SPROCKET	60,76	TC 000004V	PISTON	132
SPK128012S	IDLER SPOCKET -	76,78,90	TC 000035C	TUBE ASSEMBLY	130
SPN0017647	1-5/16 P/U WHEEL SPN	56	TC 000035E	HEAD	130
SPN0023108	WHEEL SPINDLE	152	TC 000035P	CLEVIS PIN	8,130
SQS3751250	3/8" X 1-1/4"SQ HD SET SCREW	68,70	TC 000035S	SHAFT ASSEMBLY	130
SQS5002500	SETSCREW,SQ HEAD 1/2-13 X 2-1/2	68,70	TC 000035V	PISTON	130
SQS5003000	1/2 X 3 NC SQ HD CS - PLATED	54	TC 00004RW	ROD WIPER	132
SQS5004000	1/2" X 4" SQUARE HD SET SCREW	52	TC 00004SC	SET SCREW	132
STD0000M10	M10 BALL STUD	34	TC 00004SO	SMALL O-RING	132
STD9530331	WHEEL STUD	152	TC 00004UP	PISTON PACKING (SET)	132
STO0025075	OIL COOLER/FAN SHROUD AIR STOP	124	TC 00004US	SHAFT PACKING	132
STP0002000	STEP COVER-SAFETY WALK 2	8,38	TC 00035RW	ROD WIPER	130
STS2500250	1/4-20 X 1/4 SOC. SETSCREW	92,128	TC 00035SC	SET SCREW	130
STS2500313	SETSCREW 1/4-20 X 5/16 SOC. HD	100	TC 00035SO	SMALL O-RING	130
STS3750375	3/8 X 3/8 SOCKET SET SCREW	52	TC 00035US	SHAFT PACKING	130
STS4375075	7/16 X 3/4 SOCKET SET SCREW	52	TC 00035VP	PISTON PACKING	130
SUP0021636	ANCHOR SUPPORT	52	TEB0472102	2 POST TERMINAL BLOCK	124,148
SUP0022487	FEEDER GUARD SUPPORT	72	TEB0472105	5 POST TERMINAL BLOCK	30,136
SUP0023344	LADDER SUPPORT	38	TEB0472110	10 POST TERMINAL BLOCK	124
SUP0023357	LOWER RIGHT DOOR SUPPORT	26	TER0000099	SOLDER LUG, #6 STUD	144
SUP0023479	LOWER LEFT DOOR SUPPORT	26	TER0490616	TERM, SPADE, #6 STUD, 22-18 GA	144
SUP0025265	KNOTTER SHF CENTER BEARING SUP	84	TER0490621	TERM, RING, #6 STUD, 22-18 GA	144
SUP0216270	PL,LH SUPT	6	TER0493216	TERM, Q/S, .250, F, 18/22 GA	144
SUP0216271	PL,RH SUPT	6	TER0630619	TERM, RING, #10 STUD, 12-10 GA	144
SUP0233270	L. H. CENTER SHLD SUP LEG	26	THM0018054	220F.TEMP.WIRING HARNESS	136
SUP0233770	LEFT OIL COOLER FAN MTR MOUNT	124	THM0714326	220F TEMP WIRING HARNESS	120
SUP0233771	RIGHT OIL COOLER FAN MTR MOUNT	124	TIN0231340	L. H. FEED CRANK TINE	64
SUP0234500	L. H. REAR SHD UPPER SUPT	26	TIN0231341	R. H. FEED CRANK TINE	64
SUP0234501	R. H. REAR SHD UPPER SUPT	26	TIR0000001	TIRE/WHEEL, WHITE	152
SUP0252950	L.H REAR SHD LOWER SUPT-A/3-92	26	TIR0004008	TIRE F/1500 P/U(400X8 4 PLY)	56
SUP0252951	R.H REAR SHD LOWER SUPT-A/3-92	26	TIR0199128	4.00 X 8 TUBE F/TIR4008	56
SUP1483300	L.H. NEEDLE YOKE PIVOT SUPPORT	80	TIR2312610	TIRE-GALAXY FOR 1592 + 2/97	152
SUP1483301	R.H. NEEDLE YOKE PIVOT SUPPORT	80	TNG0025604	FRONT TONGUE ASSEMBLY	6
SUP1763500	LH PICKUP SHIELD SUPPORT	58	TNK037723E	TANK, HYDRAULIC OIL	120

Part No.	Description	Page No.	Part No.	Description	Page No.
TNS0015598	TWINE TENSION BASE	98	ZZ 0000238	MACH. BSNG 1-3/8 X 2-1/2 X 10 GA	152
TNS0020209	TOP TEN RAIL CTR PIVOT BOLT	8	ZZ 0000403	1/8 X 1/8 X 1 KEY	92
TNS0022340	SIDE TENSION RAIL PIVOT BOLT	8	ZZ 0000404	3/16 X 3/16 X 1-1/2 KEY	100
TNS0022468	TOP TENS RAIL COMPRESSION BEAM	8	ZZ 0000406	1/4" X 1/4" X 1" KEY	60
TNS0025988	SIDE TENSION RAIL -AFT/9-92	8	ZZ 0000432	5/16 X 5/16 X 1-5/8 KEY	76
TNS0026172	TWN TENS BASE MNT	98	ZZ 0000438	3/8 X 3/8 X 1 KEY	60
TNS0028067	TOP TENSION RAIL	8	ZZ 0000451	1/2 X 1/2 X 1-1/2 KEY	52,66
TNS2287200	LEFT COMPRESSION BEAM	8	ZZ 0000453	1/2 X 1/2 X 1 KEY	66
TNS2287201	RIGHT COMPRESSION BEAM	8	ZZ 0000454	1/4 X 1/4 X 2 KEY	60
VLV0000015	1592 TENSION CAVITY PLUG	118	ZZ 0000458	1/2 X 1/2 X 4-1/2 KEY	76
VLV0000026	RELIEF VALVE CARTRIDGE	108	ZZ 0000705	1/4 X 2 ROLL PIN	58,60
VLV0000034	RELIEF VLV CART,53GPM,6000 PSI	74	ZZ 0000715	1/4 X 1-3/4 ROLL PIN	56
VLV0000034	RELIEF VLV CART,53GPM,6000 PSI	102	ZZ 0000728	1/4 X 1 ROLL PIN	10
VLV0000035	VALVE SUBPLATE, CAVITY	74	ZZ000000209	MACHINE BUSH 18GA	90
VLV0000035	VALVE SUBPLATE,	102	ZZ00000218	MACHINE BUSH 10GA	90
VLV0000044	DIRECTIONAL VALVE F/ MNF036773D	118	ZZ00000219	MACHINE BUSHING 14 GA	90
VLV0000049	SPOOL VALVE, 2 WAY,NO,10 VDC	118	ZZ00000403	1/8 X 1/8 X 1 KEY	50
VLV0000051	CHECK VALVE CARTRIDGE, 5 PSI	118	ZZ00000426	KEY STOCK; .5 SQ X 3.25	90
VLV0000053	SPOOL VALVE CARTRIDGE	118	ZZ00000432	KEY; .312 SQ X 1.625	90
VLV0000055	VALVE ADJUSTING KNOB KIT	118	ZZ00000438	3/8 X 3/8 X 1 KEY	50
VLV0000056	DIRECTIONAL VALVE CARTRIDGE, NC	118	ZZ00000441	KEY; .375 SQ X 1	84
VLV0000059	RELIEF VALVE	118	ZZ00000451	KEY STOCK	90
VLV0000062	SOLENOID VALVE 4 WAY 3 POS 12VDC	74,102	ZZ00000456	KEY STOCK; .625 SQ X 2.5	68,70,78
VLV0000063	TENSION CONTROL VALVE	118	ZZ00000457	KEY STOCK; .5 SQ X 2.75	90
VLV0000064	TENSION VALVE CARTRIDGE	118	ZZ00000500	5/16" NC NUTSERT	124
VLV0000416	VALVE-RESERVOIR	108	ZZ00000704	PIN, ROLL; 1/4 DIA X 1 1/2	90
VLV0000453	CHECK VALVE	102,106	ZZ00000723	3/16 X 3/4 ROLL PIN	80
VLV0006001	VALVE 1" BALL BRASS	120	ZZ00000726	3/16 X 1 ROLL PIN	100
VLV0013120	PLUNGER CYL. VALVE ASSY COMP.	102,104	ZZ00002003	SET COLLAR 1" STEEL	98
VLV0017304	FEEDER VALVE MANIFOLD BODY ONLY	108			
VLV0028071	PLUNGER CYL. VALVE W/O FITTINGS	104			
VLV0075005	CHECK VALVE 3/4 X 5LB	120			
VLV046J515	VALVE	108			
VLV1312000	PLUNGER CYL. VALVE BODY	104			
VLV1312YCF	DUMP VALVE	102			
VLV1592CBE	COUNTER BALANCE VALVE	108			
VLV1592CBG	COUNTER BALANCE VALVE	108			
VLV1730401	VALVE-KNOTTER/FEED COMPLETE	108			
VLVCBGYLHV	COUNTERBALANCE VALVE	104			
VLVCOFAXAN	RELIEF VALVE	102			
VLVCOHBXFBV	PILOT CLOSE CHECK CARTRIDGE	104			
VLVCFAXCN	RELIEF VALVE	102			
VLVCXHAXCV	CHECK VALVE CARTRIDGE	104			
VLVLKFCXDVSUN	LOGIC CARTRIDGE #5	104			
VLVLKJCXDV	LOGIC VALVE CARTRIDGE	104			
VLVNCCLV	NEEDLE VALVE CARTRIDGE	104			
VLVRPECLQV	RELIEF VALVE CARTRIDGE	104			
VLVRPGCLCV	RELIEF VALVE CARTRIDGE	104			
WHL0401530	WHL/TIR ASSY 4 X 8	56			
WHL0412530	WHEEL-8 X 3.75(4 ON 4)P/U	56			
WHL1029201	WHEEL - NO BRAKES -1592	152			
WIP0022693	SWITCH CAM WIPER	18			
WIP0110023	ROD WIPER	128			
WIP0110042	PLUNGER CYLINDER ROD WIPER	126			
YOK0022475	NEEDLE YOKE ASSEMBLY	80			
YOK0024007	YOKE WLDMT,CHMR REAR FRAME	6,8			
YOK0174039	INBOARD YOKE F/DRV389774 1-3/4	42			
ZZ 0000100	1/4-28 STR 5/16 HEX ZERK	80			
ZZ 0000103	1/8 NPT STR 5/16 HEX ZERK	40,66			
ZZ 0000104	1/8 NPT 90* X 7/16 HEX ZERK	52			
ZZ 0000105	1/8 NPT STR 5/16 HEX ZERK	52			
ZZ 0000107	1/8 NPT 45* X 7/16 HEX ZERK	52			
ZZ 0000203	1-3/4 X 18 GA MACHINE BUSHING	66			
ZZ 0000219	1 X 2 X 14 GA MACHINE BUSHING	56			



To find a dealer in your area,
Call: 503-625-2560,
Fax: 503-625-7269, or

Visit our website: <http://www.alliedsystems.com>

Allied Systems
C O M P A N Y

PB00159205 4/06
Printed in USA