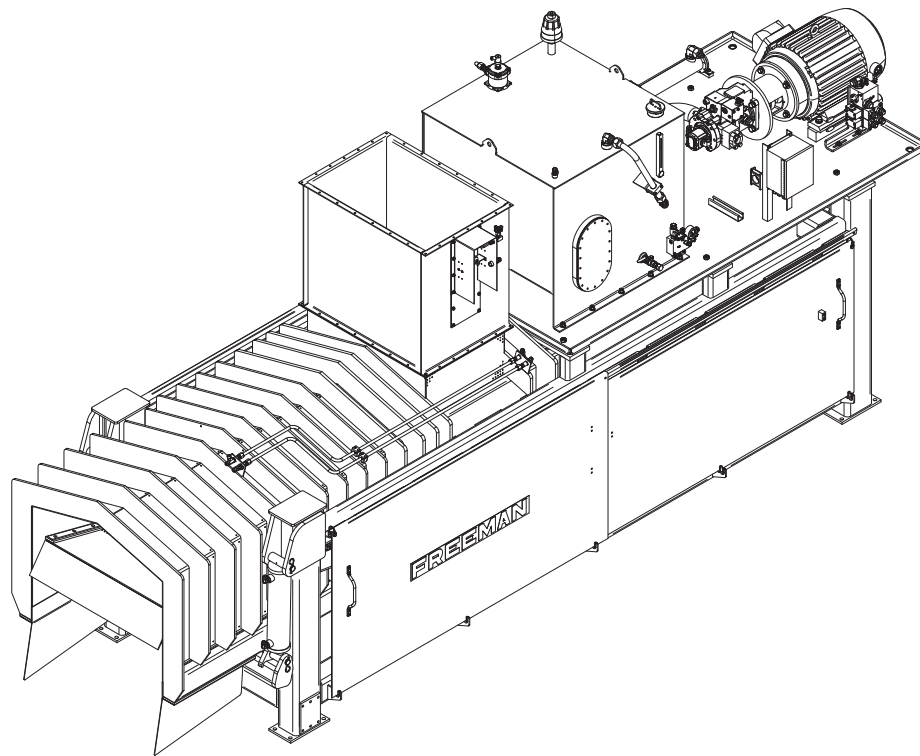


FREEMAN

A Division of Allied Systems Company

MODEL WE-5 WATER EXTRACTOR



2013 PARTS MANUAL

Safety Precautions



“THE BEST SAFETY DEVICE IS A CAREFUL OPERATOR”

Do not clean, lubricate, or make any adjustments on the equipment while it is in operation.

Do not start the equipment until you are certain everyone is clear of the machine and have ensured there are no tools on the unit.

Do not work around equipment in loose clothing.

Do not attempt to service any equipment while the motor is running.

Inspection Covers and Safety Shields should only be removed by authorized service persons.

After servicing **do not** place the equipment back into operation until all Safety Shields and Devices have been replaced. Operation without Safety Shields and Devices can place the operator into a hazardous situation.

Do not open or work on the In-Feed System until the flow of material has been stopped and the Water Extractor Motor has been turned off.

Do not make any adjustments or reach under any load bearing surfaces while they are loaded.

NOTE: All possible safety hazards cannot be anticipated so as to be included in this manual. Therefore, you must always be alert to potential hazards that could endanger personnel and/or damage the equipment.

INSTRUCT ALL OPERATORS ON SAFETY PRECAUTIONS.



WARNING

Some illustrations in this operator manual show the water extractor without shields to allow for a better view of the area being addressed. The machine should never be operated with any of the safety shields removed.

Introduction

HOW TO USE THE MANUAL

This manual contains illustrations and parts lists of components and assemblies which make up the machine. Each page consists of the name of the assembly or component, a reference number, part number, part name and the quantities of the part used.

Assembly or component names help identify the illustration and parts list for each figure. This name also helps locate the general area of the machine where the assembly or component can be located.

Reference numbers shown in a column refers to the numbered parts in the illustration. This ties the part in the illustration to the part number and description in the parts list. Part numbers are used to identify individual parts or part assemblies

Part descriptions provide the name of the part, plus additional information such as dimensional specification and what parts are grouped together to form part assemblies, which helps you identify the parts.

Quantities listed for each illustration are only for that assembly or component and not the total used per machine.

Indent dots are used to indicate assemblies and sub-parts of assemblies. No dot indicates the major assembly. Part descriptions which are indented with dots are sub-parts of the major assembly shown above.

This parts manual is not intended to be a complete guide for machine service or repairs. Contact your dealer for any of your service or technical requirements.

UPDATING AND REORDERING MANUALS

The parts lists, illustrations and specifications in this manual are based on the latest information available at the time of publication. Your machine may have product improvement and options not yet contained in this manual.

A copy of this manual is supplied with each machine. Additional copies are available through you dealer. When ordering additional manuals, use the reorder number listed on the front cover and the quantity needed.

Serial Number Location and Water Extractor Identification

Each Freeman Water Extractor is identified by means of a model number and serial number. As a further identification, all power units are provided with a serial number.

To ensure prompt, efficient service when ordering parts or requesting repairs, record the serial numbers in the spaces provided.

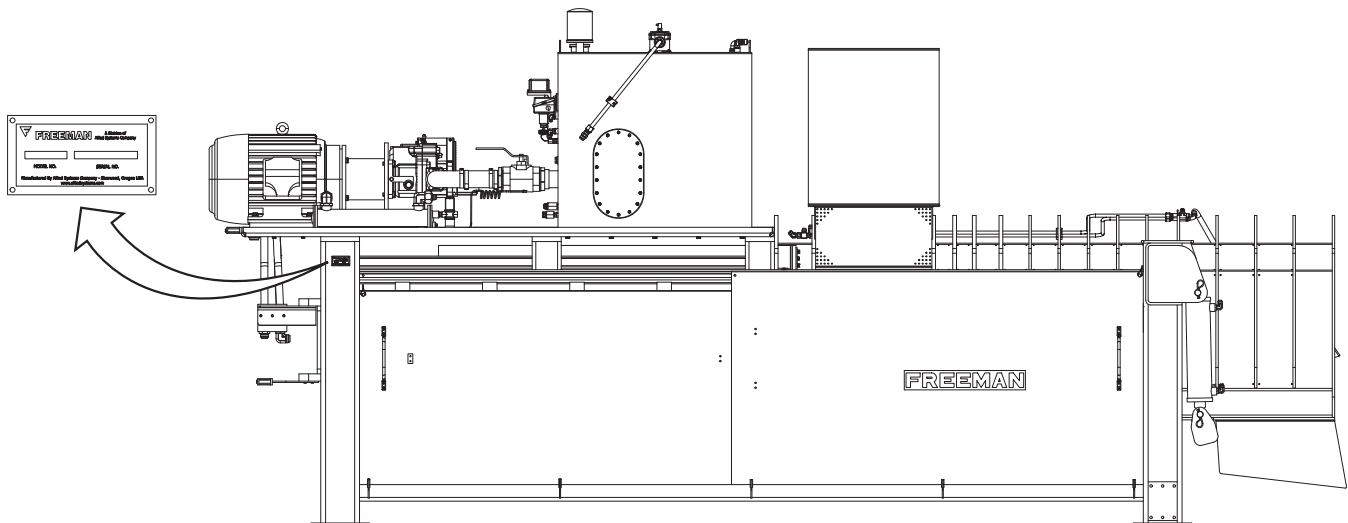
WE-5 Serial Number _____

Front, left side of main frame under heat exchanger.

Power Unit Serial Number

Electric Motor- _____

NOTE: The motor and pump end is considered the front of the Water Extractor. The sides are described as left-hand side and right-hand side as viewed from the rear while facing the chamber.



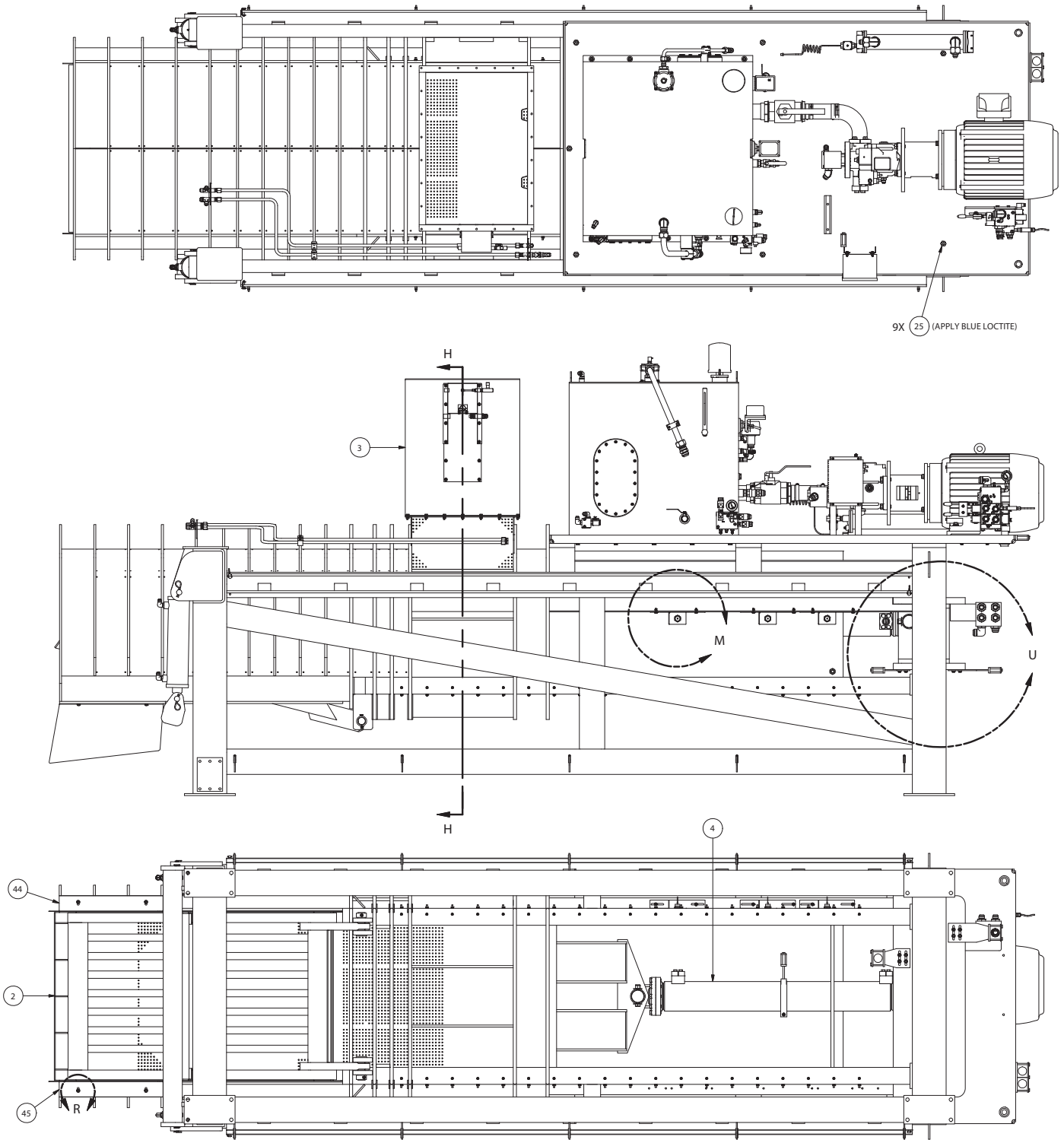
Starting with ASC-0WE5-506

Table of Contents

Water Extractor Assembly	7
. Restrictor Installation	11
. Infeed Chute Assembly	13
. Plunger & Main Cylinder Assembly	15
HPU Assembly.....	17
. Directional Valve.....	21
. Hydraulic Tank Assembly	23
. Junction Box Assembly	25
Control Box Assembly	27
Hydraulic Hoses & Fittings.....	29
Index	30

Water Extractor Assembly

Page 1 of 4



Water Extractor Assembly

Page 2 of 4

Item	Part No.	Qty	Description	Item	Part No.	Qty	Description
	902763		Water Extractor Assembly				
1	902753	1	. Frame, Main	30	16597W	4	. Capscrew
2	* 900965	1	. Restriction Rail	31	902764	2	. Plate, Inner Door
3	** 903162	1	. Chute Assembly, Infeed	32	HAN0000817	4	. Handle, Grab
4	*** 903315	1	. Plunger/Main Cylinder Assembly	33	901651	2	. Block, Stop
11	233882	12	. Flat Washer	37	901648	2	. Plate, Outer Door
12	16805W	8	. Capscrew	38	FD00007111	2	. Decal
13	221767W	8	. Washer	39	903491	3	. Plate, Mounting
14	906831	1	. Bracket Weldment, Front	40	Y27E-06	4	. Washer
15	906832	1	. Bracket Weldment, Rear	41	NP00000100	1	. Plate
21	236715	6	. Capscrew	42	254617 647IN		. Guide Rail
22	234170	6	. Nut, Nylock	43	225871	5'	. Trim, Edge
23	228461	26	. Nut, Nylock	44	902467	1	. Plate, RH
24	234129	26	. Capscrew	45	902466	1	. Plate, LH
25	169337W	9	. Capscrew	46	PIN0375125	4	. Snapper Pin
26	237671	16	. Capscrew	53	244112	3	. Sensor, Proximity
27	228413	16	. Hex Nut	54	903231	1	. Manifold, Combiner
29	133469W	4	. Capscrew				

* See Seperate Coverage Page 11

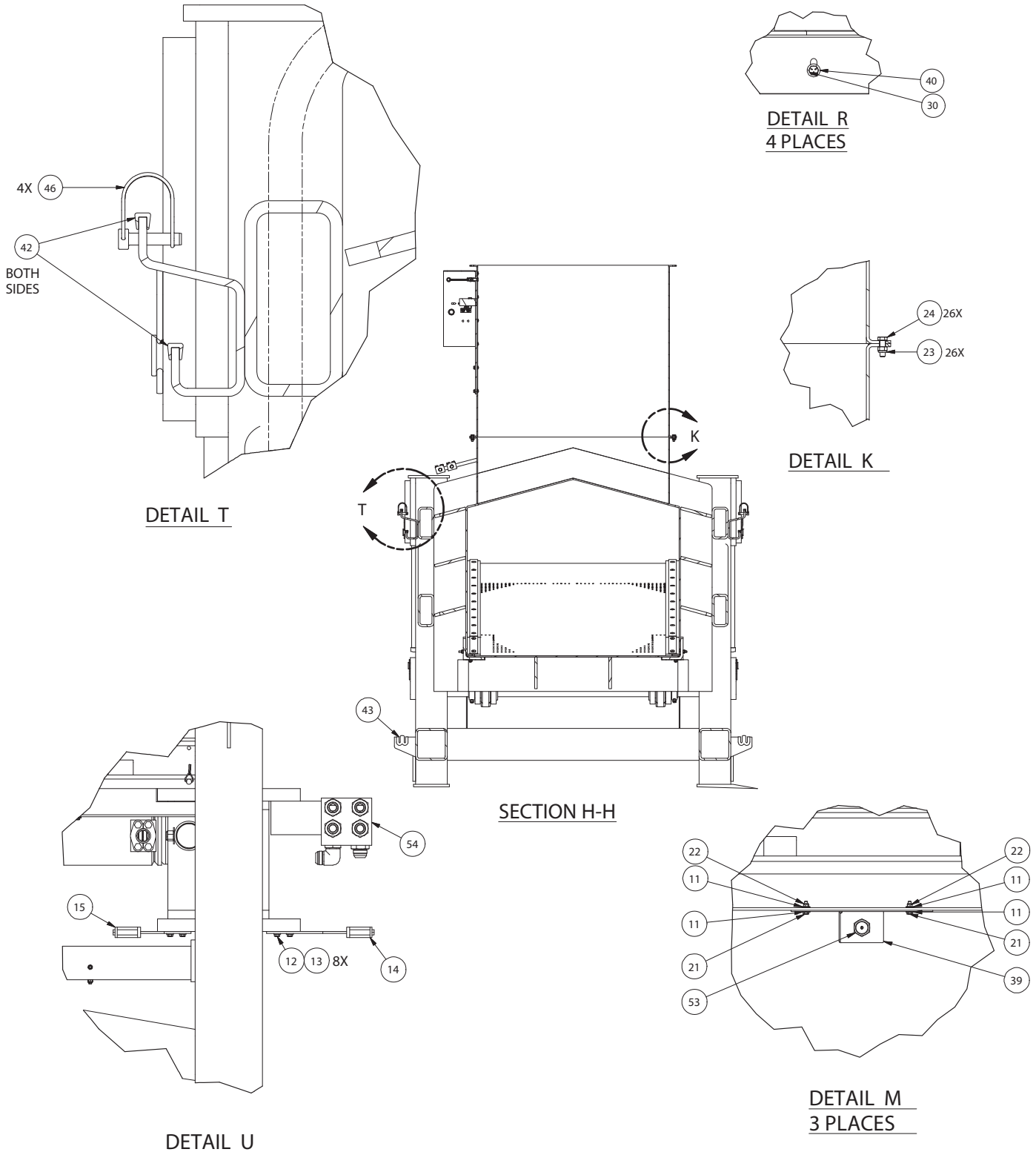
** See Seperate Coverage Page 13

*** See Seperate Coverage Page 15

Rev C

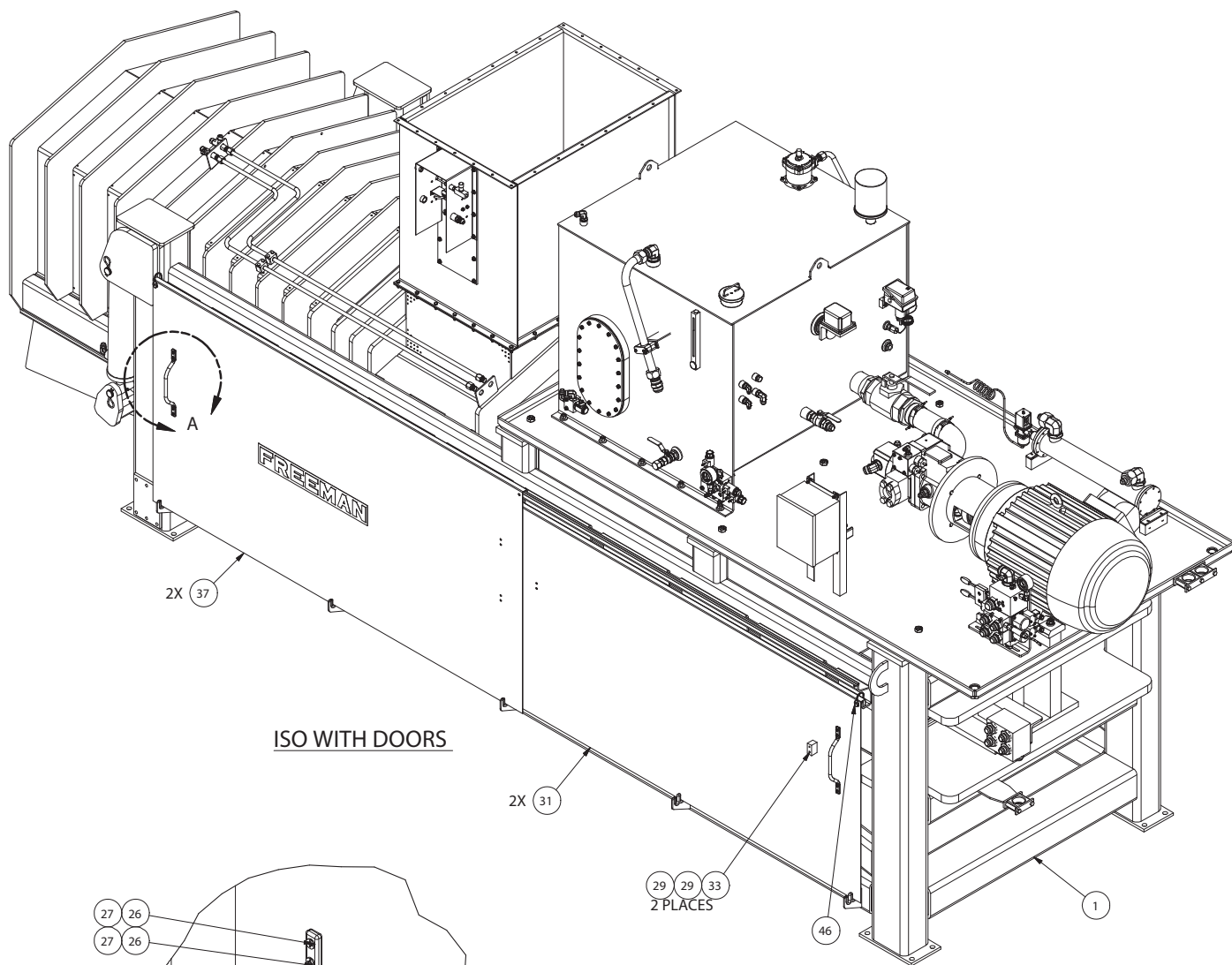
Water Extractor Assembly

Page 3 of 4



Water Extractor Assembly

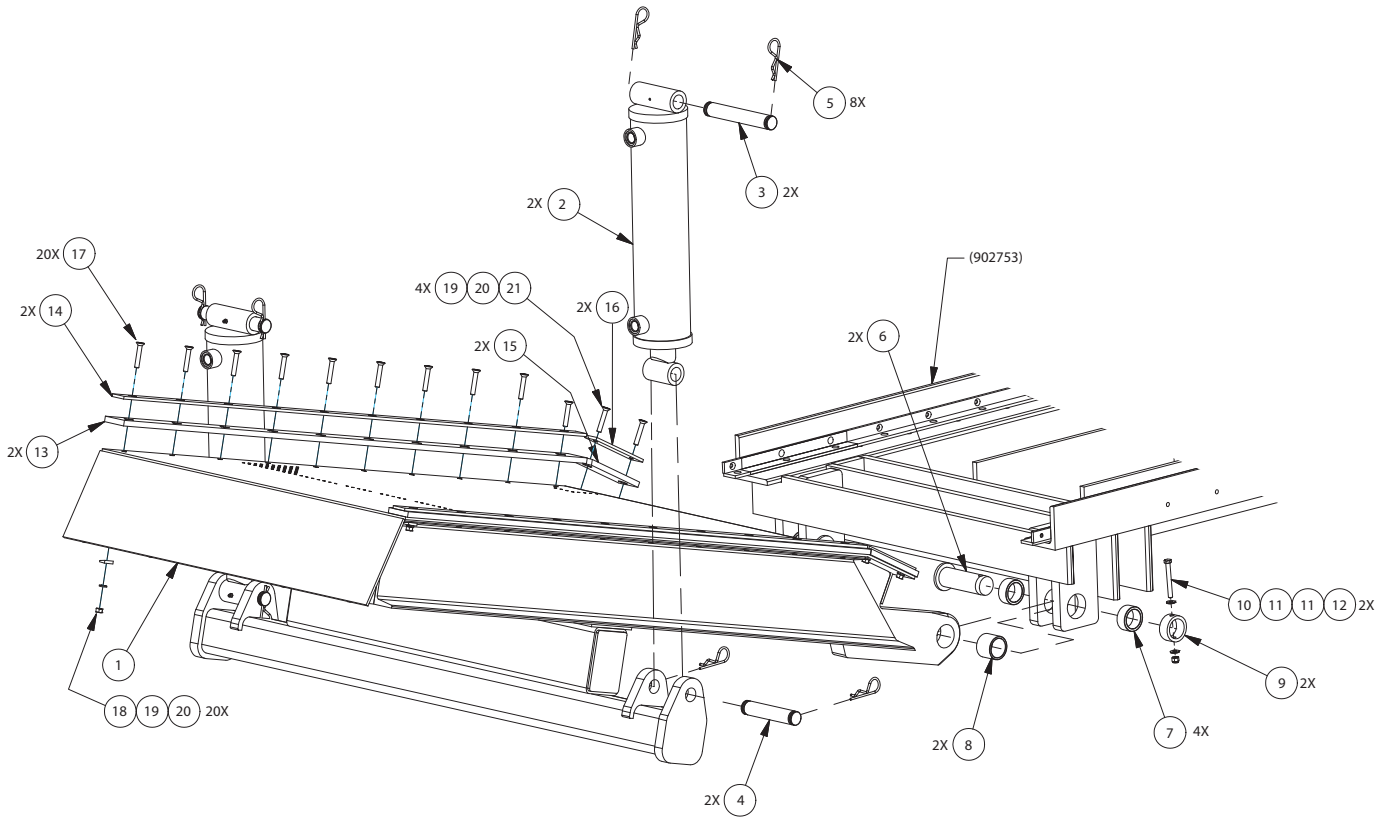
Page 4 of 4



DETAIL A
4 PLACES

Restrictor Installation

Page 1 of 2



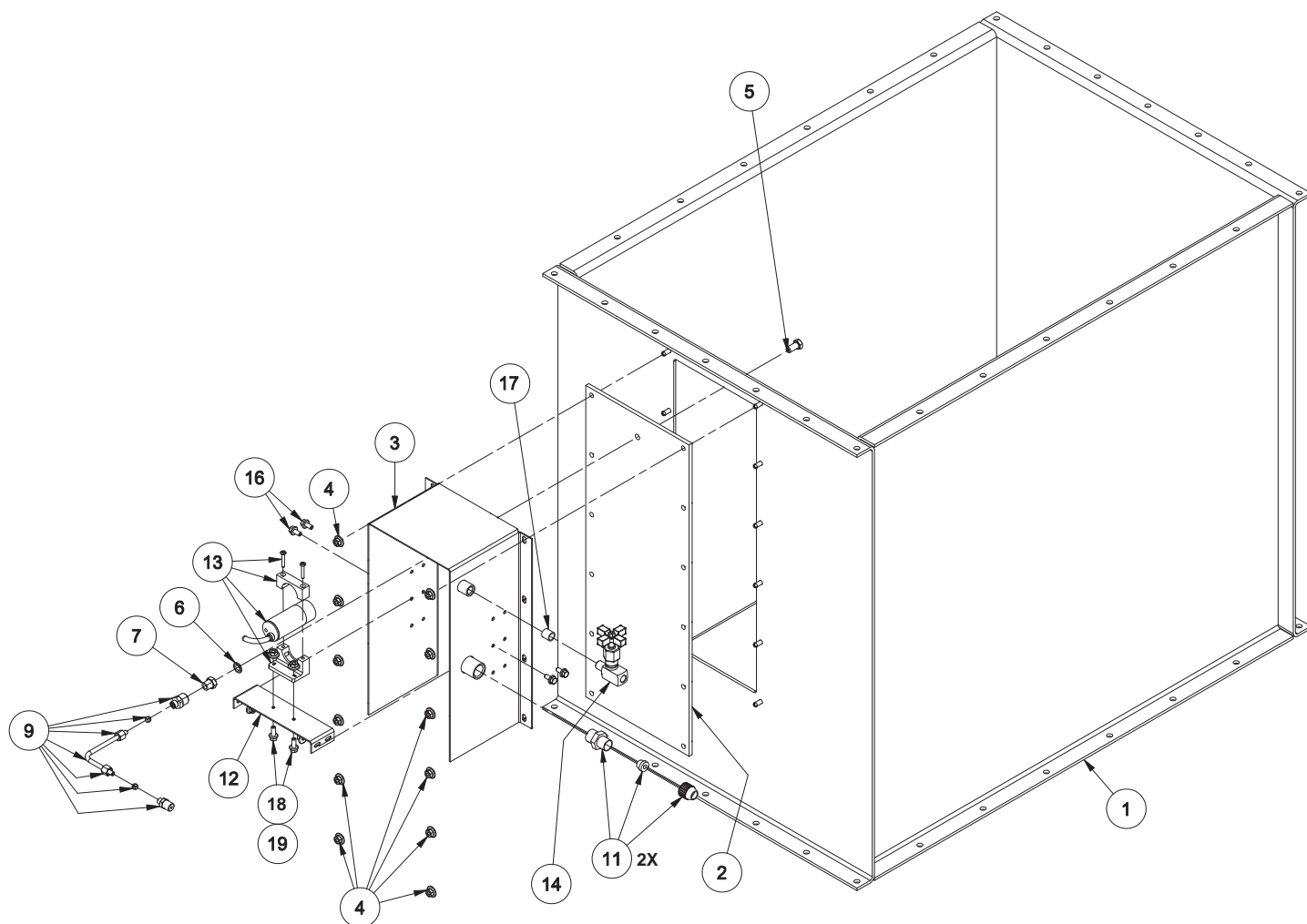
Restrictor Installation

Page 2 of 2

Item	Part No.	Qty	Description	Item	Part No.	Qty	Description
1	900965	1	Restrictor Rail	12	231851	2	Esna Nut (Ss)
2	902345	2	Cylinder Assy, Restrictor	13	RAL0021932	2	PL, Rail
	257369	2	. Seal Kit	14	RAL0021933	2	PL, Backup
3	901645	2	Clevis Pin	15	RAL0021934	2	Bar
4	901646	2	Clevis Pin	16	RAL0021935	2	PL, Backup
5	F000006511	8	Cotter Pin	17	SMFS000308	20	Flat HD Bolt (SS)
6	903488	2	Pivot Pin	18	WASS000143	20	Bevel Washer
7	904030	4	Bushing (Frame)	19	WLKS000375	24	Washer (SS)
8	901230	2	Bushing (Restrictor)	20	NCHS000375	24	Nut (SS)
9	903487	2	Lock Collar (Ss)	21	SMFS000304	4	Flat HD Bolt (SS)
10	233465	2	Capscrew (Ss)				
11	231853	4	Washer, Flat (Ss)				

INTENTIONALLY LEFT BLANK

Infeed Chute Assembly

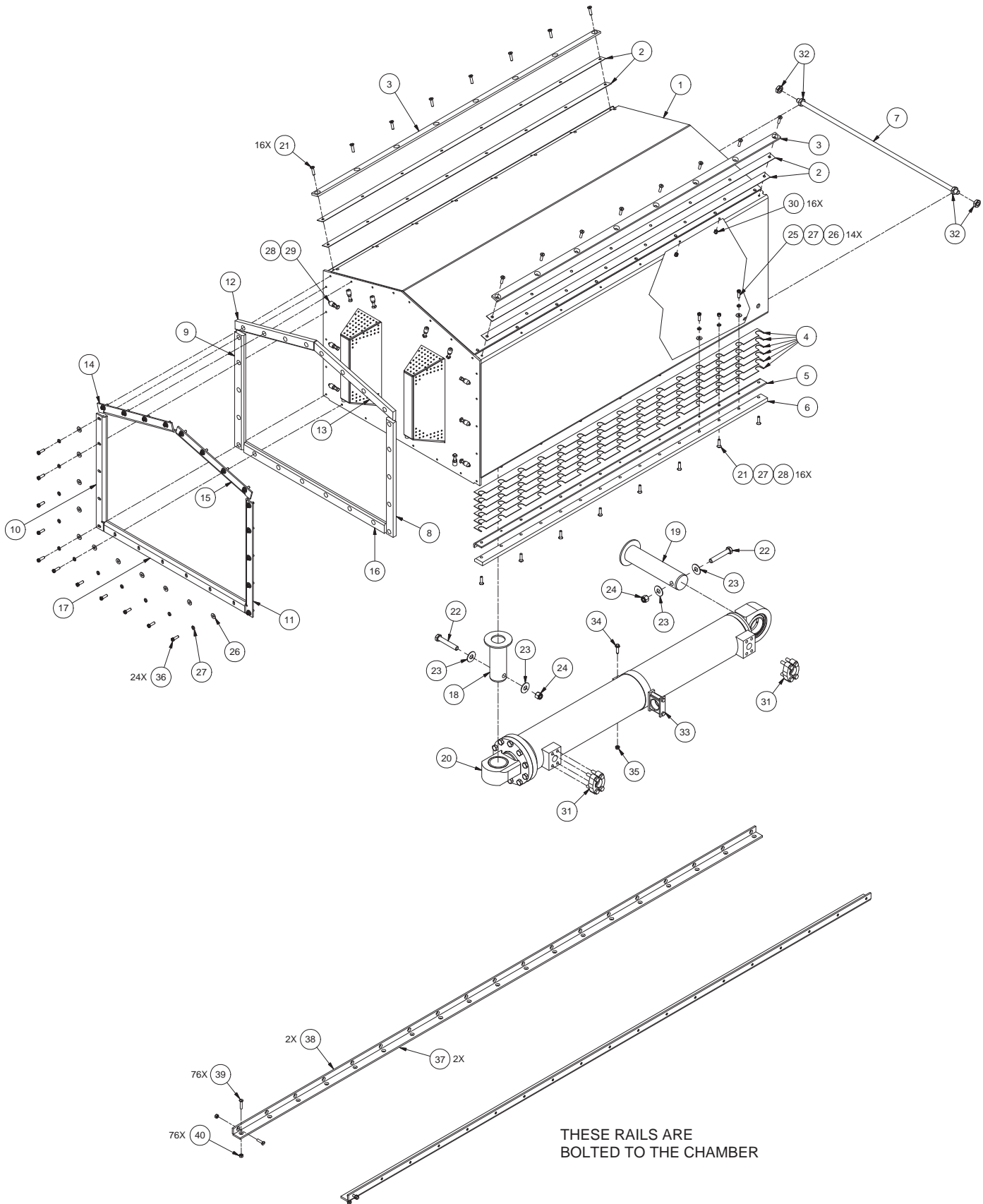


Item	Part No.	Qty	Description	Item	Part No.	Qty	Description
	903162		Chute Assembly, Infeed				
1	900923	1	. Infeed Chute	11	27663	2	. Connector, Cord
2	WND0024498	1	. Window	12	BKT0023959	1	. Bracket
3	BKT0026116	1	. Bracket, Sensor Mounting	13	254163	1	. Sensor, Prox
4	09416918	16	. Nut, Serrated	14	VLV0000400	1	. Needle Valve
5	VLV0026113	1	. Capscrew	16	SMS0000173	4	. Serrated Flange Screw
6	204389	1	. Seal	17	221280	1	. Fitting
7	BSH0026123	1	. Fitting	18	R13809459	2	. Screw, Machine
9	TBE0261300	1	. Tube Assembly	19	R13812442	2	. Nut, Lock

Rev B

Plunger & Main Cylinder Assembly

Page 1 of 2



Plunger & Main Cylinder Assembly

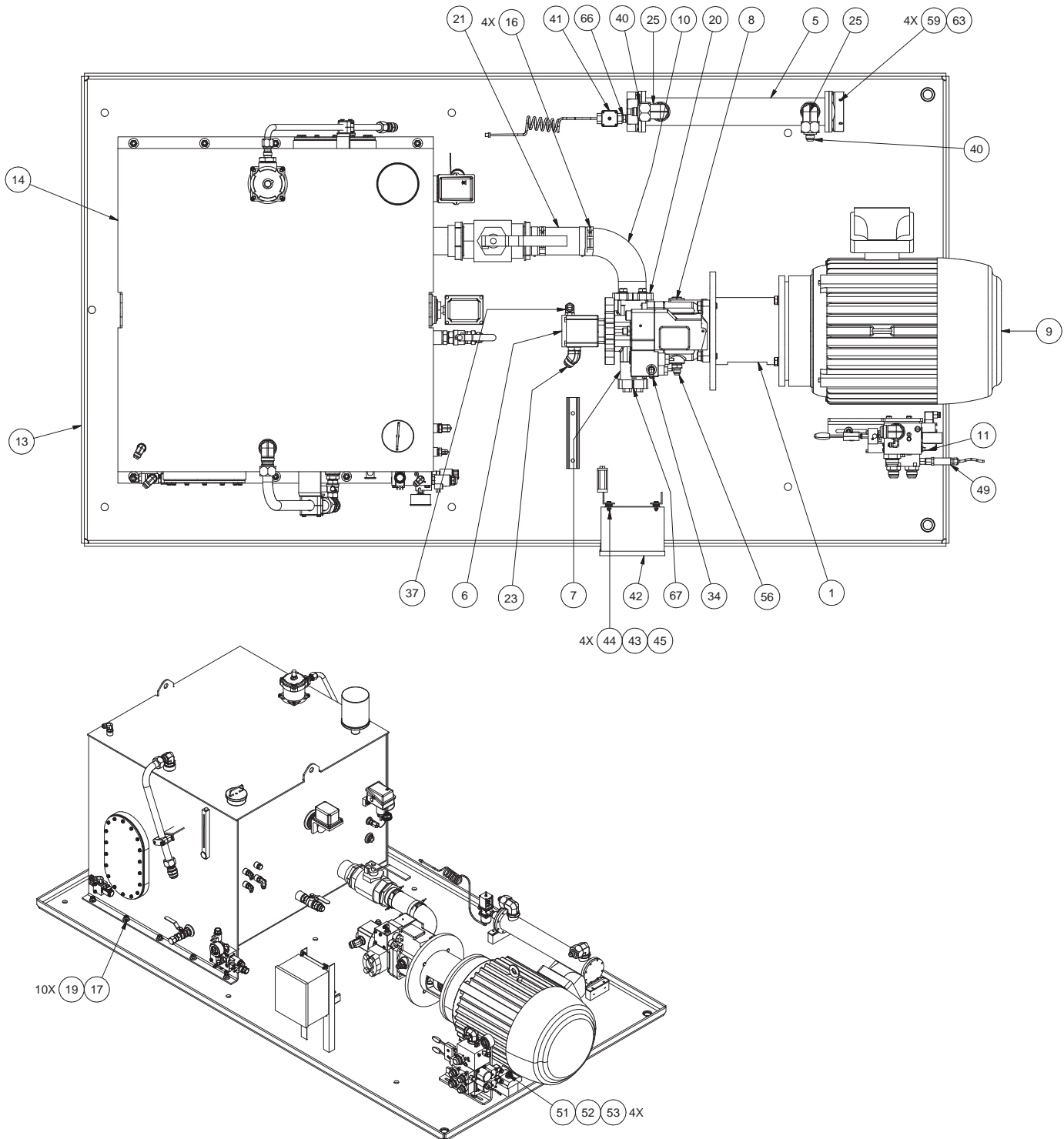
Page 2 of 2

Item	Part No.	Qty	Description	Item	Part No.	Qty	Description
	903315		Plunger/Main Cylinder Assembly				
1	900194	1	. Plunger Frame	23	234173	4	. Flat Washer
2	902892	4	. Shim, Top Plunger Slide	24	233852	2	. Nut, Nylock
3	PLG0021900	2	. Slide, Top Plunger	25	SCCS000303	14	. Capscrew
4	SHM0021922	12	. Shim, Bottom Plunger Slide	26	WCTS000375	38	. Flat Washer
5	PLG0025903	2	. Backup, Bottom Plunger Slide	27	WLKS000375	54	. Lockwasher
6	PLG0021920	2	. Slide, Bottom Plunger	28	NCHS000375	30	. Hex Nut
7	901016	1	. Tie Rod	29	SQSS375200	14	. Square Head Screw
8	901027	1	. Wiper, RH	30	231851	16	. Nut, Nylock
9	901028	1	. Wiper, LH	31	229449	2	. Kit, Split Flange
10	901029	1	. Backup, Wiper, LH		203446	1	. O-Ring
11	901030	1	. Backup, Wiper, RH		225328	2	. Clamp, Half
12	901031	1	. Wiper, LH Top		230961	4	. Capscrew
13	901032	1	. Wiper, RH Top	32	NCJS000750	4	. Jam Nut
14	901033	1	. Backup, Wiper, LH Top	33	903353	1	. Clamp
15	901034	1	. Backup, Wiper, RH Top	34	SMS0000180	1	. Bolt, Serrated Flange
16	901056	1	. Wiper, Bottom	35	09411507	1	. Nut, Serrated
17	901057	1	. Backup, Wiper, Bottom	36	SCCS000304	24	. Capscrew
18	901099	1	. Pin, Plunger Cyl, Plunger End	37	PLG0021918	2	. Rail, Chamber, Bottom
19	901604	1	. Pin, Plunger Cyl, Base End	38	PLG0021919	2	. Rail, Chamber, Side
20	901156	1	. Cylinder Assembly, Plunger	39	SMFS000204	76	. Flat HD Bolt
	901363	1	. Kit, Seal & Packing, Plunger Cyl	40	228461	76	. Nut, ESNA
21	SMFS000304	32	. Screw				
22	SCCS000812	2	. Capscrew				

Rev B

HPU Assembly

Page 1 of 4



HPU Assembly

Page 2 of 4

Item	Part No.	Qty	Description	Item	Part No.	Qty	Description
	906646		HPU Assembly				
1	254140	1	. Adapter	37	213917	1	. Fitting
2	224960	1	. Coupling, Half	38	223638	2	. Fitting
3	253669	1	. Coupling	39	222886	1	. Fitting
4	237526	1	. Insert	40	234591	2	. Fitting
5	255722	1	. Heat Exchanger	41	255723	1	. Water Valve, Modulating
6	906694	1	. Pump, Recirculation	42	*** 905503	1	. Junction Box Assembly
7	253680	1	. Check Valve	43	F000007550	4	. Grommet
8	253672	1	. Pump, Piston	44	240093	4	. Capscrew
9	253671	1	. Motor, Electric	45	234170	4	. Nut, Nylock
10	255077	1	. Fitting	46	905545	1	. Valve
11	* 255204	1	. Valve, Directional	47	Y01C-0428	2	. Capscrew
12	255121	1	. Manifold, Pump & Tension Assy	48	221763W	2	. Washer
	255167	1	.. Manifold (Body Only)	49	254535	1	. Transducer, Press
12A	256021	1	.. Valve, Relief	51	221630W	4	. Capscrew
12B	256264	1	.. Valve, Cartridge	52	R13811435	4	. Hard Washer
	256132	1	... Seal Kit	53	00103325	4	. Lockwasher
12C	253979	1	.. Valve, Prop Relief	54	2310365	1	. Fitting
	256133	1	... Seal Kit	55	229384	2	. Fitting
13	902766	1	. Pan, Drip	56	209208	1	. Fitting
14	** 906655	1	. Tank Assembly, Hydraulic	57	R13801813	2	. Capscrew
15	903008	1	. Bracket	58	221499W	4	. Capscrew
16	225370	4	. T-Bolt Clamp	59	162572W	4	. Capscrew
17	239519	10	. Flat Washer	60	906656	1	. Valve, Clamp A
19	221711W	10	. Hex Nut	61	906657	1	. Valve, Clamp B
20	225661	1	. Kit, Split Flange	62	Y73G-0512	2	. Capscrew
	203528	1	.. O-Ring	63	221767W	4	. Washer
	229082	4	.. Capscrew	64	Y17C-1232	4	. Capscrew
	230769	2	.. Clamp Half	65	Y17C-1028	4	. Capscrew
21	249266	1'	. Suction Hose	66	209161	1	. Fitting
23	209147	1	. Fitting	67	229450	1	. Kit, Split Flange
24	209619	1	. Fitting		203516	1	.. O-Ring
25	209137	2	. Fitting		234893	4	.. Capscrew
26	214203	1	. Gauge		236974	2	.. Clamp Half
27	225648	3	. Snubber, Gauge	68	221707W	4	. Hex Nut
28	231135	1	. Gauge	69	18540W	2	. Capscrew
30	224298	1	. Fitting	70	15134W	2	. Washer
31	R13801972	2	. Fitting	71	R13802624	2	. Flat Washer
32	211560	1	. Fitting	72	906845	2	. Spacer, Valve
33	20856	2	. Fitting	73	200608	4	. Lockwasher
34	11860	2	. Fitting	74	R13809066	4	. Lockwasher
35	529950	1	. Fitting				
36	209323	4	. Fitting				

* See Seperate Coverage Page 21

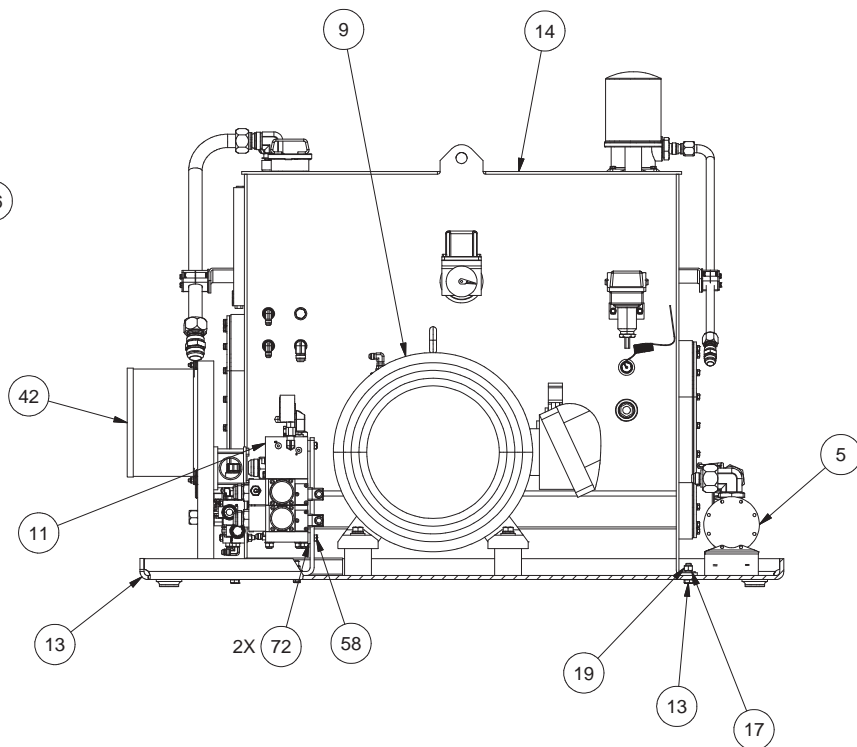
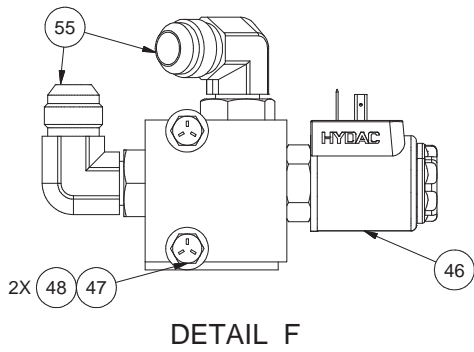
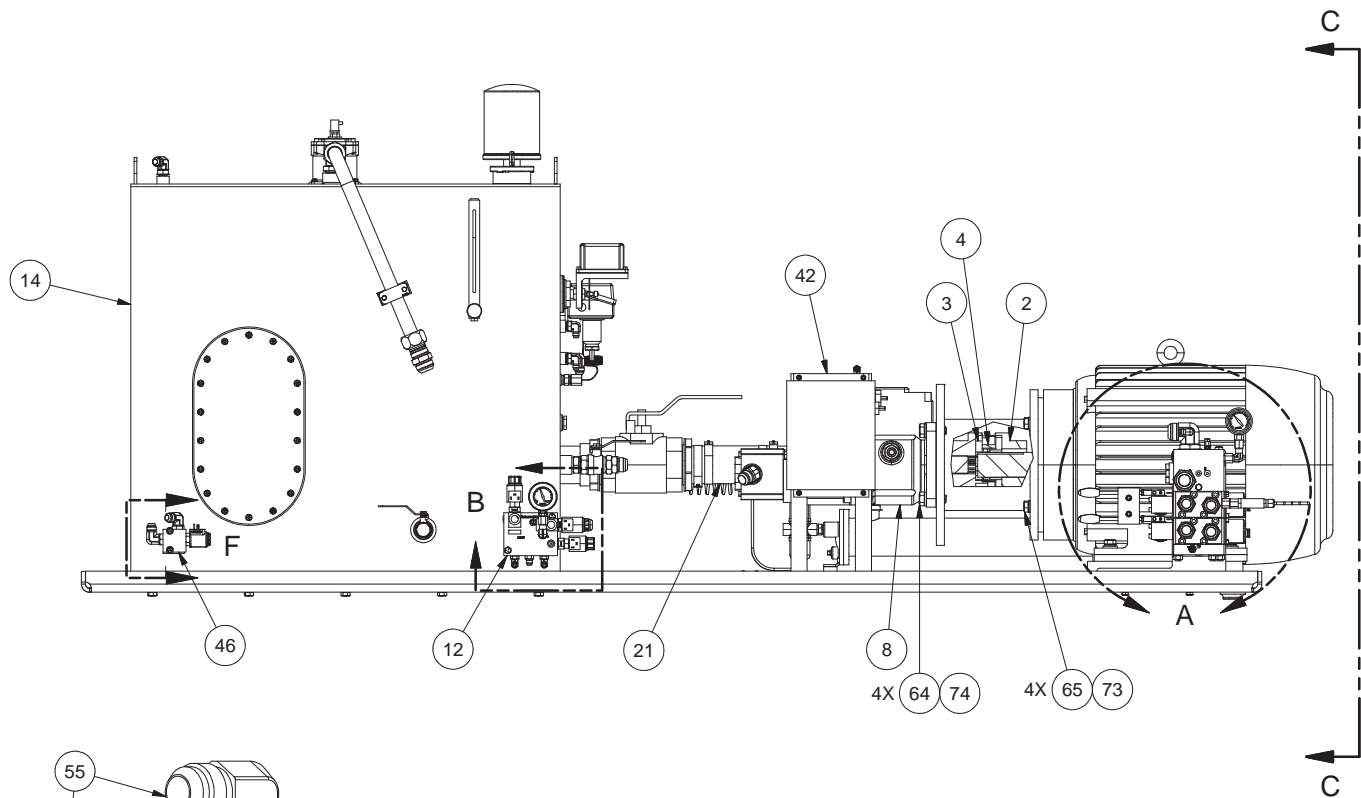
** See Seperate Coverage Page 23

*** See Seperate Coverage Page 25

Rev C

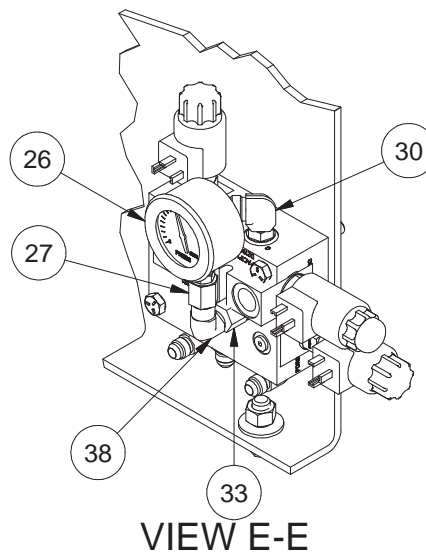
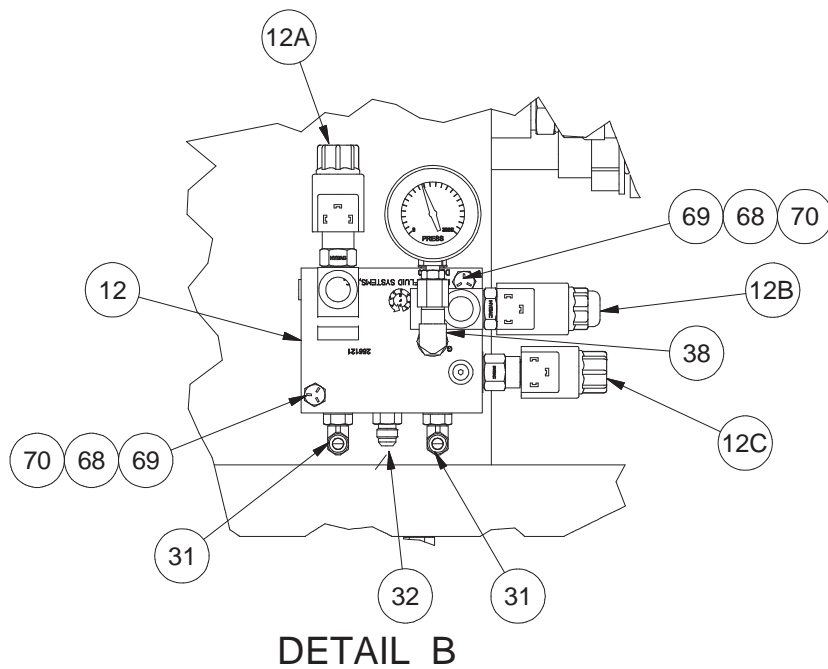
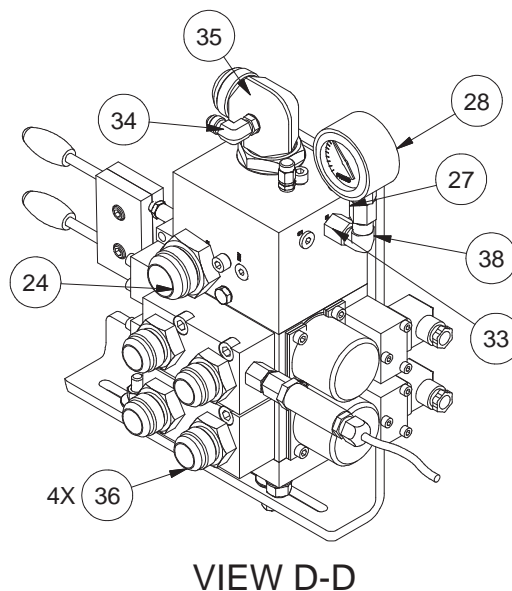
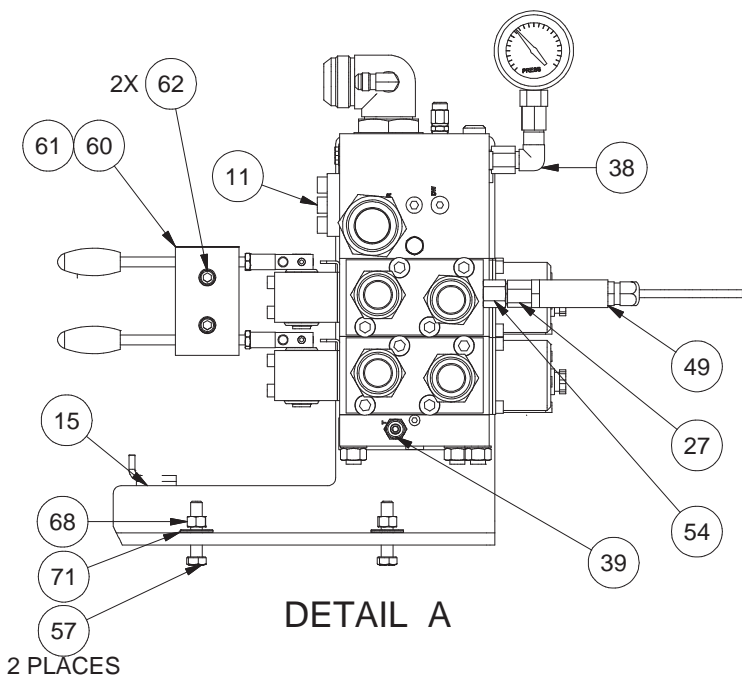
HPU Assembly

Page 3 of 4



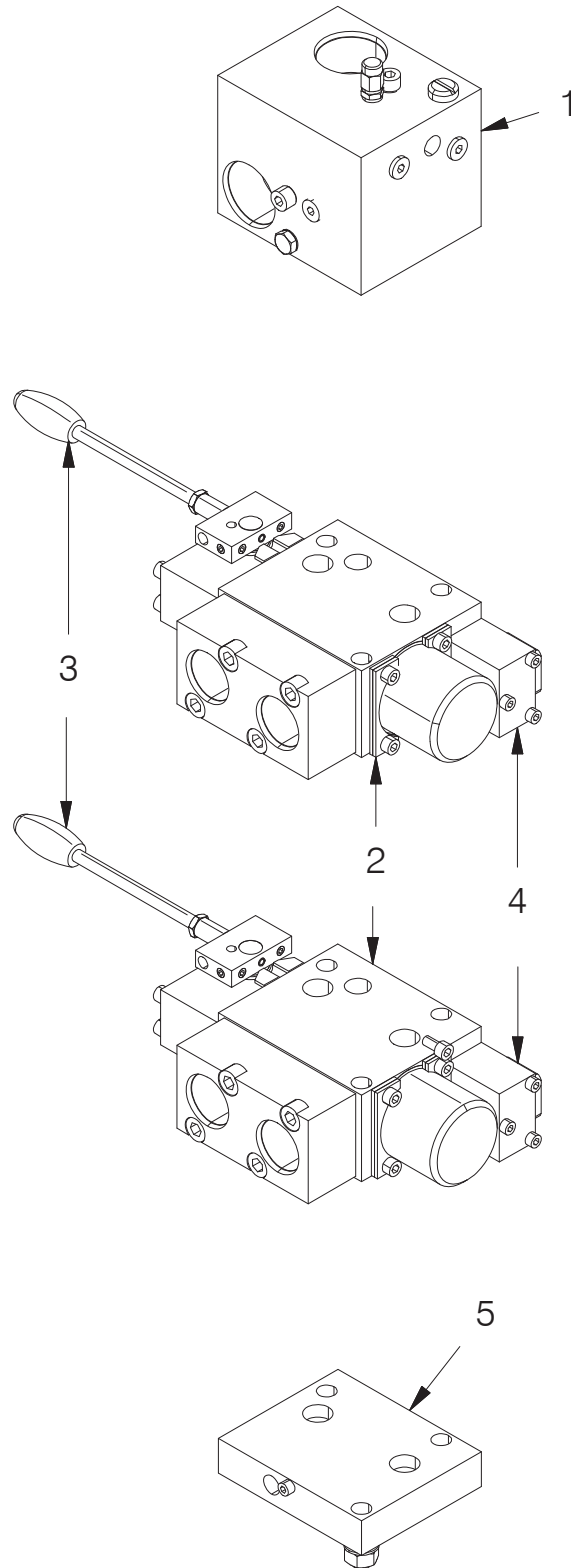
HPU Assembly

Page 4 of 4



Directional Valve

Page 1 of 2



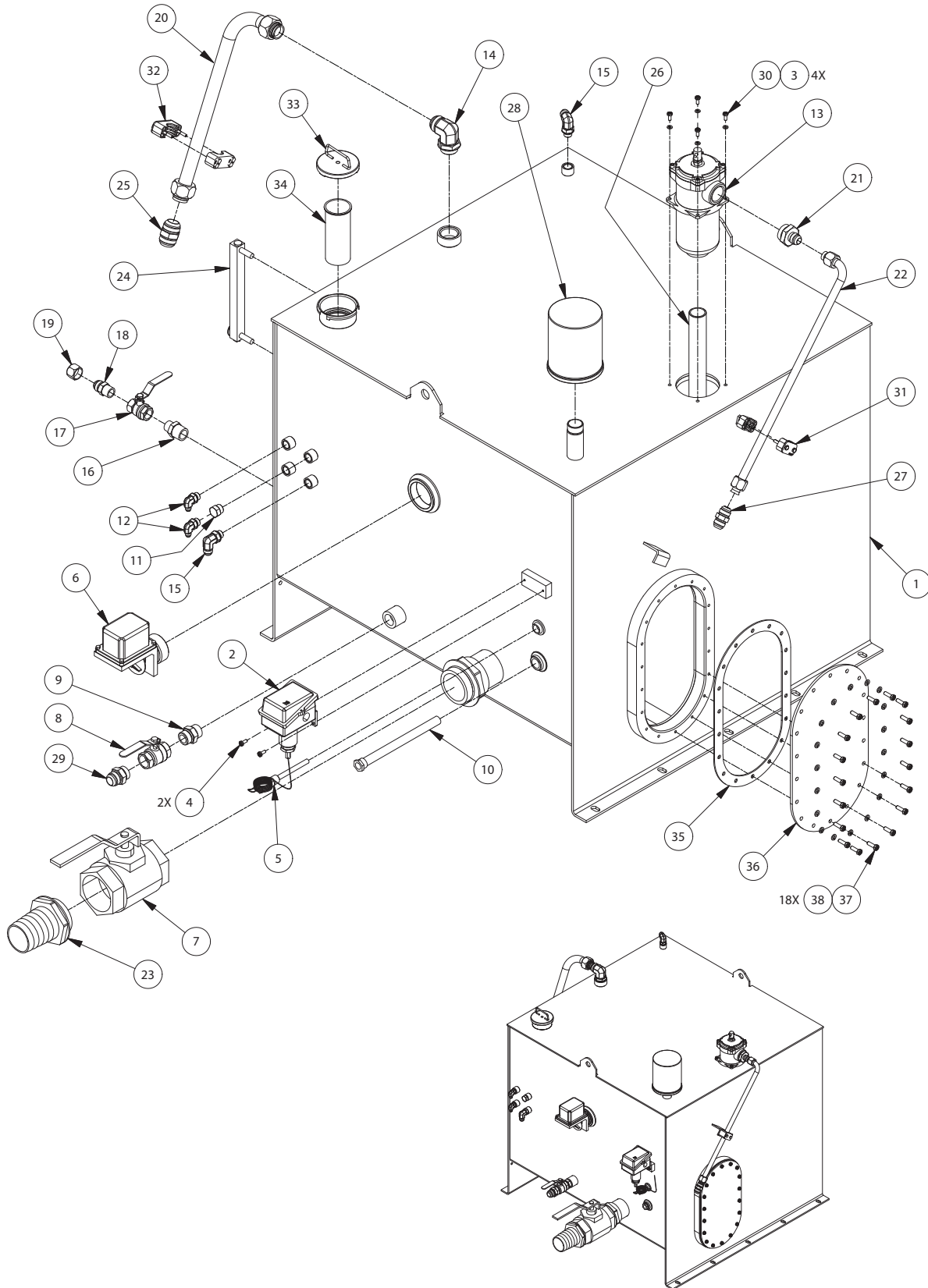
Directional Valve

Page 2 of 2

Item	Part No.	Qty	Description	Item	Part No.	Qty	Description
	255204		Directional Valve				
1	256135	1	. Conn Block	3	251917	2	. Lever
	250838	1	.. Kit, Seal	4	256130	2	. Coil
2	256166	2	. Work Section	5	3503140	1	. End Plate
	250839	1	.. Kit, Seal				

Hydraulic Tank Assembly

Page 1 of 2



Hydraulic Tank Assembly

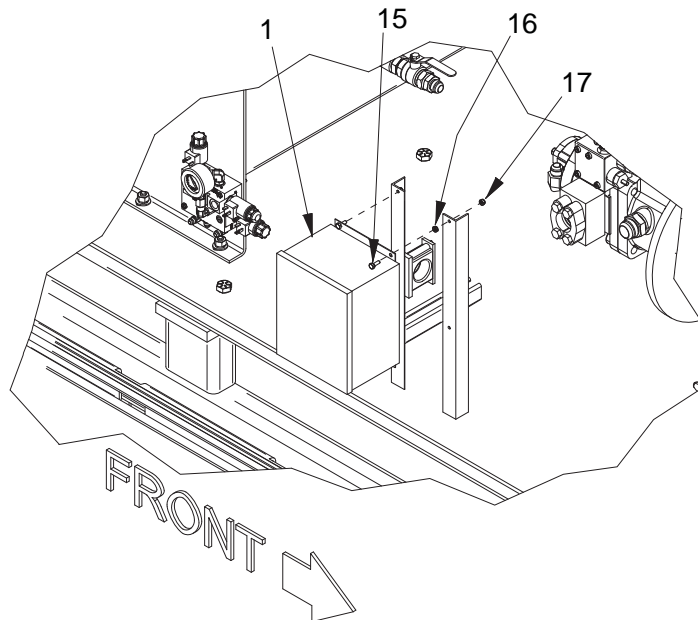
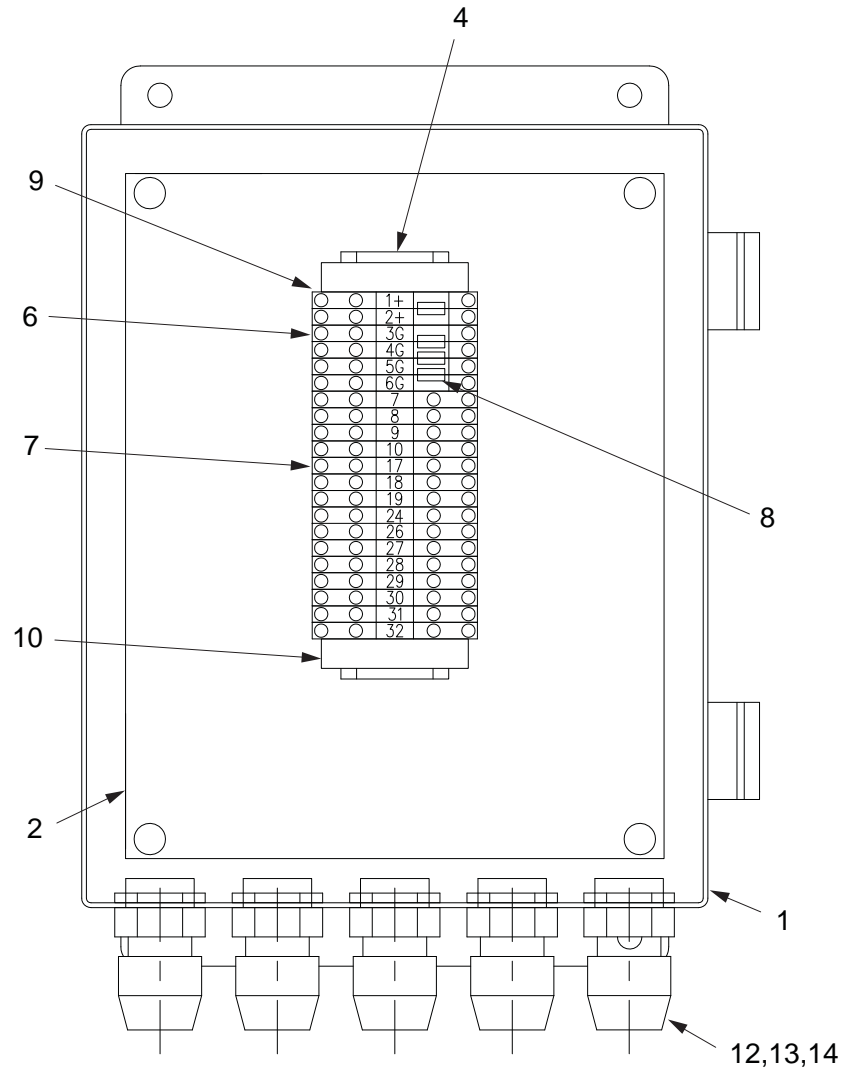
Page 2 of 2

Item	Part No.	Qty	Description	Item	Part No.	Qty	Description
	906655		Tank Assembly, Hydraulic				
1	902837	1	. Tank, Hydraulic	20	902993	1	. Tube Assembly
2	253673	1	. Switch, Temp	21	23408	1	. Fitting
3	R13812512	4	. Lockwasher	22	902279	1	. Tube Assembly
4	399741W	2	. Screw, Ser Flg	23	254135	1	. Fitting, Ha
5	254006	1	. Thermowell, Bulb	24	253675	1	. Gauge, Sight Level/Temp
6	SWI0059037	1	. Switch, Float	25	209443	1	. Fitting
7	253679	1	. Ball Valve	26	902960	1	. Pipe
8	254010	1	. Ball Valve	27	209441	1	. Fitting
9	15377	1	. Fitting	28	256179	1	. Element, Breather
10	255724	1	. Thermowell, Bulb	29	209323	1	. Fitting
11	210709	1	. Fitting	30	R13810993	4	. Capscrew
12	23945	2	. Fitting	31	906720	1	. Mount, Return Tube
13	906653	1	. Filter Assembly, In-Line	32	906721	1	. Mount, Return Tube
	255996	1	.. Element	33	R1917921	1	. Cap
14	209714	1	. Fitting	34	R14340	1	. Strainer
15	229384	2	. Fitting	35	578833	2	. Gasket
16	21205	1	. Fitting	36	902216	2	. Cover, Access
17	218923	1	. Ball Valve	37	R13812513	36	. Washer, Lock
18	209759	1	. Fitting	38	R13811014	36	. Capscrew
19	209090	1	. Fitting				

Rev A

Junction Box Assembly

Page 1 of 2



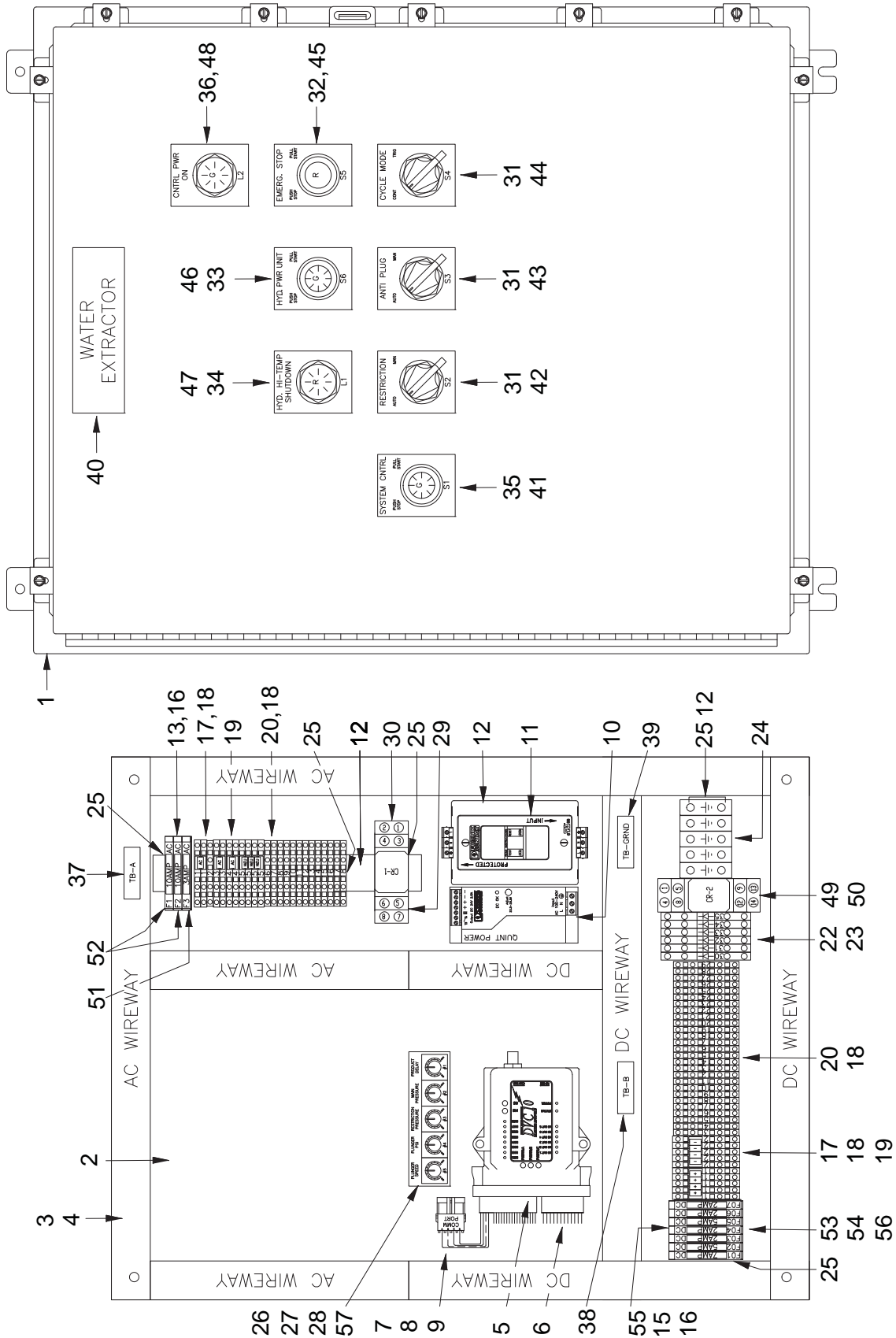
Junction Box Assembly

Page 2 of 2

Item	Part No.	Qty	Description	Item	Part No.	Qty	Description
	905503		Junction Box Assy				
1	903001	1	. Enclosure	10	241761	2	. Stop
2	22623	1	. Panel, Back	12	27663	10	. Connector
4	22628	1	. Rail	13	Rng0005262	10	. Conduit Locknut
6	239317	6	. Terminal Block	14	220582	10	. Ring Nut
7	232237	15	. Terminal Block	15	234130	4	Capscrew (SS)
8	236926	12	. Jumper, Horizontal	16	Grm0005008	4	Bushing Grommet
9	232238	1	. Plate, End	17	234170	4	Nut, Esna (SS)

Control Box Assembly

Page 1 of 2



Control Box Assembly

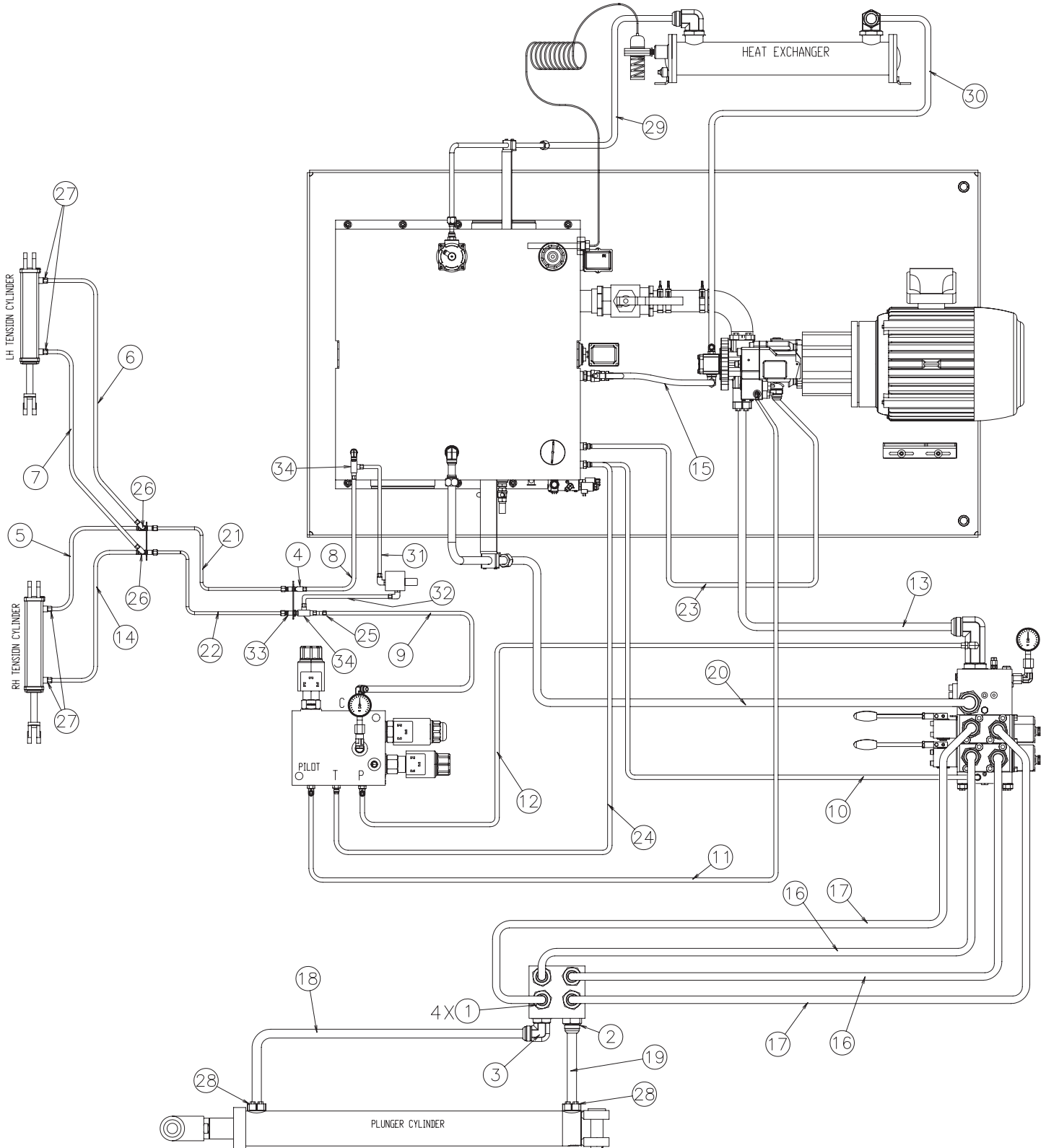
Page 2 of 2

Item	Part No.	Qty	Description	Item	Part No.	Qty	Description
	905504		Control Panel Assembly				
1	256185	1	. Enclosure	33	256205	1	. Start/Stop 120 VAC Light (Green)
2	256186	1	. Back, Panel	34	256206	1	. Ind Red Light 120VAC
3	-----	2	. Wireway	35	256207	1	. Start/Stop 24VDC Light (Green)
4	-----	2	. Wireway Cover	36	256208	1	. Ind Light 120VDC (Green)
5	902245	1	. Ctrl Module, Programed	37	256210	1	. Legend Plate "TB-A"
6	252638	1	. Kit, Connector, DVC-10	38	256211	1	. Legend Plate "TB-B"
7	2381551	1	. Connector, Wire	39	256212	1	. Legend Plate "TB-GRND"
8	R7408664	4	. Pin, Male	40	256213	1	. Legend Plate "Water Extractor"
9	R740867	4	. Seal, Wire	41	256214	1	. Legend Plate "System Cntrl"
10	254146	1	. Power Supply	42	256215	1	. Legend Plate "Restriction"
11	256209	1	. GFCI, 120VAC/20A	43	256216	1	. Legend Plate "Anti Plug"
12	-----	1	. Din Rail	44	256217	1	. Legend Plate "Cycle Mode"
13	-----	3	. 120V Fuse Block	45	256218	1	. Legend Plate "Emerg. Stop"
15	256191	7	. 24V Fuse Block	46	-----	1	. Legend Plate "Hyd. Pwr Unit"
16	256190	1	. Fuse End Plate	47	256220	1	. Legend Plate "Hyd Hi-Temp Shut Dwn"
17	256193	19	. Terminal Block	48	256221	1	. Legend Plate "Cntrl Pwr On"
18	256194	2	. End Plate	49	256020	1	. Relay
19	250697	14	. Jumper	50	256019	1	. Relay Socket
20	256195	37	. Terminal Block	51	246933	2	. Fuse, 10A
22	256196	6	. Diode Terminal Block	52	243609	1	. Fuse, 3A
23	256197	1	. End Plate	53	243577	1	. Fuse, 5A
24	256198	7	. Terminal Block, Ground	54	246924	1	. Fuse, 5A
25	256199	8	. End Stop	55	256192	1	. Fuse, 7A
26	256200	5	. Potentiometer	56	256016	4	. Fuse, 2A
27	256201	5	. Potentiometer Knob	57	906861	1	. Label, "Potentiometer"
28	905487	1	. Mounting Bracket, Potentiometer				
29	256018	1	. Relay				
30	256017	1	. Relay Socket				
31	256203	3	. Switch, 2 Pos				
32	256204	1	. Emergency Stop Push/Pull				
					-----		Part No. Not Available At Time Of Publication

Rev B

Hydraulic Hoses & Fittings

Page 1 of 2



Hydraulic Hoses & Fittings

Page 2 of 2

Item	Part No.	Qty	Description	Item	Part No.	Qty	Description
	906645		Hose & Fittings				
1	209323	4	. Fitting	20	255511	1	. Hose Assembly
2	209619	1	. Fitting	21	901754	1	. Tube Assembly
3	209714	1	. Fitting	22	901755	1	. Tube Assembly
4	243248	1	. Fitting	23	2509118	1	. Hose Assembly
5	906654	1	. Hose Assembly	24	HOS036662A	1	. Hose Assembly
6	256143	1	. Hose Assembly	25	R13801538	1	. Fitting
7	256144	1	. Hose Assembly	26	HYD5725050	2	. Fitting
8	255467	1	. Hose Assembly	27	R13807508	4	. Fitting
9	255468	1	. Hose Assembly	28	229449	2	. Kit, Split Flange
10	255469	1	. Hose Assembly		203446	1	. . O-Ring
11	255470	1	. Hose Assembly		225328	2	. . Clamp Half
12	255471	1	. Hose Assembly		230961	4	. . Capscrew
13	255472	1	. Hose Assembly	29	207825	1	. Hose Assembly
14	255473	1	. Hose Assembly	30	206636	1	. Hose Assembly
15	255506	1	. Hose Assembly	31	252852	1	. Hose Assembly
16	255507	2	. Hose Assembly	32	257188	1	. Hose Assembly
17	255508	2	. Hose Assembly	33	225830	1	. Fitting
18	255509	1	. Hose Assembly	34	14793	2	. Fitting
19	255510	1	. Hose Assembly				

Rev A

Index

Part Number	Description	Page Number	Part Number	Description	Page Number
11860	Fitting	17	251917	Lever	21
14793	Fitting	29	252638	Kit, Connector, DVC-10	27
15377	Fitting	23	252852	Hose Assembly	29
20856	Fitting	17	253669	Coupling	17
21205	Fitting	23	253671	Motor, Electric	17
22623	Panel, Back	25	253672	Pump, Piston	17
22628	Rail	25	253673	Switch, Temp	23
23408	Fitting	23	253675	Gauge, Sight Level/Temp	23
23945	Fitting	23	253679	Ball Valve	23
27663	Connector, Cord	13, 25	253680	Check Valve	17
203446	O-Ring	15, 29	253979	Valve, Prop Relief	17
203516	O-Ring	17	254006	Thermowell, Bulb	23
203528	O-Ring	17	254010	Ball Valve	23
204389	Seal	13	254135	Fitting	23
206636	Hose Assembly	29	254140	Adapter	17
207825	Hose Assembly	29	254146	Power Supply	27
209090	Fitting	23	254163	Sensor, Prox	13
209137	Fitting	17	254535	Transducer, Press	17
209147	Fitting	17	254617	Guide Rail	7
209161	Fitting	17	255077	Fitting	17
209208	Fitting	17	255121	Manifold, Pump & Tension Assy	17
209323	Fitting	17, 23, 29	255167	Manifold (Body Only)	17
209441	Fitting	23	255204	Valve, Directional	17, 21
209443	Fitting	23	255467	Hose Assembly	29
209619	Fitting	17, 29	255468	Hose Assembly	29
209714	Fitting	23, 29	255469	Hose Assembly	29
209759	Fitting	23	255470	Hose Assembly	29
210709	Fitting	23	255471	Hose Assembly	29
211560	Fitting	17	255472	Hose Assembly	29
213917	Fitting	17	255473	Hose Assembly	29
214203	Gauge	17	255506	Hose Assembly	29
218923	Ball Valve	23	255507	Hose Assembly	29
220582	Ring Nut	25	255508	Hose Assembly	29
221280	Fitting	13	255509	Hose Assembly	29
222886	Fitting	17	255510	Hose Assembly	29
223638	Fitting	17	255511	Hose Assembly	29
224298	Fitting	17	255722	Heat Exchanger	17
224960	Coupling, Half	17	255723	Water Valve, Modulating	17
225328	Clamp, Half	15, 29	255724	Thermowell, Bulb	23
225370	T-Bolt Clamp	17	255996	Element	23
225648	Snubber, Gauge	17	256016	2 Amp Fuse	27
225661	Kit, Split Flange	17	256017	Relay Socket	27
225830	Fitting	29	256018	Relay	27
225871	Trim, Edge	7	256019	Relay Socket	27
229384	Fitting	17, 23	256020	Relay	27
229449	Kit, Split Flange	15, 29	256021	Valve, Relief	17
229450	Kit, Split Flange	17	256130	Coil	21
230769	Clamp Half	17	256132	Seal Kit	17
231135	Gauge	17	256133	Seal Kit	17
232237	Terminal Block	25	256135	Conn Block	21
232238	Plate, End	25	256143	Hose Assembly	29
234591	Fitting	17	256144	Hose Assembly	29
236926	Jumper, Horizontal	25	256166	Work Section	21
236974	Clamp Half	17	256179	Element, Breather	23
237526	Insert	17	256185	Enclosure	27
239317	Terminal Block	25	256186	Back, Panel	27
241761	Stop	25	256190	Fuse End Plate	27
243248	Fitting	29	256191	24V Fuse Block	27
243577	Fuse	27	256192	7 Amp Fuse	27
243609	Fuse	27	256193	Terminal Block	27
244112	Sensor, Proximity	7	256194	End Plate	27
246924	Fuse	27	256195	Terminal Block	27
246933	Fuse	27	256196	Diode Terminal Block	27
249266	Suction Hose	17	256197	End Plate	27
250697	Jumper	27	256198	Terminal Block, Ground	27
250838	Kit, Seal	21	256199	End Stop	27
250839	Kit, Seal	21	256200	Potentiometer	27

Index

Part Number	Description	Page Number	Part Number	Description	Page Number
256201	Potentiometer Knob	27	903315	Plunger/Main Cylinder Assembly	7, 15
256203	Switch, 2 Pos	27	903353	Clamp	15
256204	Emergency Stop Push/Pull	27	903487	Lock Collar (Ss)	11
256205	Start/Stop 120 VAC Light (Green)	27	903488	Pivot Pin	11
256206	Ind Red Light 120VAC	27	903491	Plate, Mounting	7
256207	Start/Stop 24VDC Light (Green)	27	904030	Bushing (Frame)	11
256208	Ind Light 120VDC (Green)	27	905487	6 Hole Pot Mounting Brkt	27
256209	GFCI, 120VAC/20A	27	905503	Junction Box Assembly	17, 25
256210	Legend Plate "TB-A"	27	905504	Control Panel Assembly	27
256211	Legend Plate "TB-B"	27	905545	Valve	17
256212	Legend Plate "TB-GRND"	27	906645	Hose & Fittings	29
256213	Legend Plate "Water Extractor"	27	906646	HPU Assembly	17
256214	Legend Plate "System Cntrl"	27	906653	Filter Assembly, In-Line	23
256215	Legend Plate "Restriction"	27	906654	Hose Assembly	29
256216	Legend Plate "Anti Plug"	27	906655	Tank Assembly, Hydraulic	17, 23
256217	Legend Plate "Cycle Mode"	27	906656	Valve, Clamp A	17
256218	Legend Plate "EmergStop"	27	906657	Valve, Clamp B	17
256220	Legend Plate "Hyd Hi-Temp Shut Down"	27	906694	Pump, Recirculation	17
256221	Legend Plate "Cntrl Pwr On"	27	906720	Mount, Return Tube	23
256264	Valve, Cartridge	17	906721	Mount, Return Tube	23
257188	Hose Assembly	29	906831	Bracket Weldment, Front	7
257369	Seal Kit	11	906832	Bracket Weldment, Rear	7
529950	Fitting	17	906845	Spacer, Valve	17
578833	Gasket	23	906861	Label, "Potentiometer"	27
900194	Plunger Frame	15	2310365	Fitting	17
900923	Infeed Chute	13	2381551	Connector, Wire	27
900965	Restriction Rail	7, 11	2509118	Hose Assembly	29
901016	Tie Rod	15	3503140	End Plate	21
901027	Wiper, RH	15	BKT0023959	Bracket	13
901028	Wiper, LH	15	BKT0026116	Bracket, Sensor Mounting	13
901029	Backup, Wiper, LH	15	BSH0026123	Fitting	13
901030	Backup, Wiper, RH	15	F000006511	Cotter Pin	11
901031	Wiper, LH Top	15	F000007550	Grommet	17
901032	Wiper, RH Top	15	FD00007111	Decal	7
901033	Backup, Wiper, LH Top	15	GRM0005008	Bushing Grommet	25
901034	Backup, Wiper, RH Top	15	HAN0000817	Handle, Grab	7
901056	Wiper, Bottom	15	HOS036662A	Hose Assembly	29
901057	Backup, Wiper, Bottom	15	HYD5725050	Fitting	29
901099	Pin, Plunger Cyl, Plunger End	15	NP00000100	Plate	7
901156	Cylinder Assembly, Plunger	15	PIN0375125	Snapper Pin	7
901230	Bushing (Restrictor)	11	PLG0021900	Slide, Top Plunger	15
901363	Kit, Seal & Packing, Plunger Cyl	15	PLG0021918	Rail, Chamber, Bottom	15
901604	Pin, Plunger Cyl, Base End	15	PLG0021919	Rail, Chamber, Side	15
901645	Clevis Pin	11	PLG0021920	Slide, Bottom Plunger	15
901646	Clevis Pin	11	PLG0025903	Backup, Bottom Plunger Slide	15
901648	Plate, Outer Door	7	R13801538	Fitting	29
901651	Block, Stop	7	R13801972	Fitting	17
901754	Tube Assembly	29	R13807508	Fitting	29
901755	Tube Assembly	29	R13809459	Screw, Machine	13
902216	Cover, Access	23	R13811435	Hard Washer	17
902245	Ctrl Module, Programed	27	R14340	Strainer	23
902279	Tube Assembly	23	R1917921	Cap	23
902345	Cylinder Assy, Restrictor	11	R7408664	Pin, Male	27
902466	Plate, LH	7	R740867	Seal, Wire	27
902467	Plate, RH	7	RAL0021932	PL, Rail	11
902753	Frame, Main	7	RAL0021933	PL, Backup	11
902763	Water Extractor Assembly	7	RAL0021934	Bar	11
902764	Plate, Inner Door	7	RAL0021935	PL, Backup	11
902766	Pan, Drip	17	RNG0005262	Conduit Locknut	25
902837	Tank, Hydraulic	23	SHM0021922	Shim, Bottom Plunger Slide	15
902892	Shim, Top Plunger Slide	15	SMS0000173	Serrated Flange Screw	13
902960	Pipe	23	SMS0000180	Bolt, Serrated Flange	15
902993	Tube Assembly	23	SWI0059037	Switch, Float	23
903001	Enclosure	25	TBE0261300	Tube Assembly	13
903008	Bracket	17	VLV0000400	Needle Valve	13
903162	Chute Assembly, Infeed	7, 13	WASS000143	Bevel Washer	11
903231	Manifold, Combiner	7	WND0024498	Window	13



To find a dealer in your area,
Call: 503-625-2560,
Fax: 503-625-7269, or
Visit our website: <http://www.alliedsystems.com>

Allied Systems
COMPANY

PB000WE513

Printed in USA