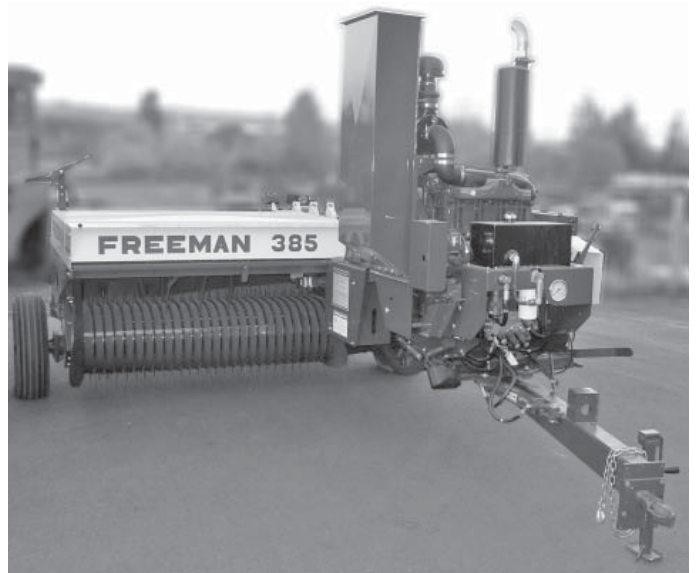
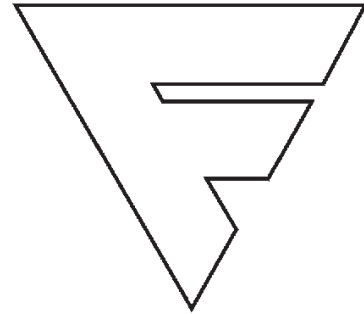


FREEMAN



2007 - 2008
MODEL 380/385
AUTOMATIC HAY BALER

PARTS MANUAL

PB00038X07

A Product of
Allied Systems
COMPANY
Sherwood, Oregon USA

SAFETY

Allied Systems Co. is concerned with safety. Freeman Equipment is furnished with safety features. Even with these safety features, personal injury can still occur if the operator is careless when operating or maintaining the machine. There are "CAUTION," "DANGER," and "BE CAREFUL" decals on the machine. Read and pay attention to the decals. Following is a list of precautions that should be taken to help prevent personal injury:

1. KEEP ALL SHIELDS IN PLACE.
2. SHUT OFF TRACTOR ENGINE BEFORE ADJUSTING, LUBRICATING, CLEANING OR SERVICING THE BALER.
3. WAIT FOR ALL MOVEMENT TO STOP BEFORE SERVICING BALER.
4. KEEP HANDS, FEET, AND CLOTHING AWAY FROM POWER DRIVEN PARTS.
5. KEEP ALL SHIELDS INSTALLED AND KEEP CLEAR OF THE P.T.O. DRIVE LINE.
6. KEEP ALL OTHERS OFF BALER.
7. USE APPROPRIATE SIGNS OR WARNING LIGHTS WHEN OPERATING ON HIGHWAYS.
8. MAKE CERTAIN EVERYONE IS CLEAR OF BALER BEFORE ENGAGING P.T.O.
9. DO NOT RIDE ON ANY PART OF THE BALER WHILE IN OPERATION.
10. KEEP HANDS AND FEET CLEAR OF PICKUP.
11. KEEP HANDS AWAY FROM KNOTTER WHEN BALER P.T.O. DRIVE IS ENGAGED.
12. PERIODICALLY CHECK ALL NUTS AND BOLTS FOR TIGHTNESS.
13. ALWAYS USE LIGHTS FOR NIGHT WORK.
14. AS A SAFETY PRECAUTION IT IS RECOMMENDED THAT AN "ABC" FIRE EXTINGUISHER BE CARRIED ON THE BALER AT ALL TIMES. IT IS ALSO RECOMMENDED TO CARRY A FOUR GALLON WATER CONTAINER WITH PUMP, OR AS REQUIRED BY LOCAL AND STATE LAW.
15. AVOID LOOSE CLOTHING WHICH CAN EASILY BE CAUGHT IN MOVING PARTS.
16. REMEMBER 'SAFETY' IS ONLY A WORD UNTIL IT IS PUT INTO PRACTICE.



WARNING: SOME ILLUSTRATIONS IN THIS PARTS LIST SHOW THE BALER WITHOUT SHIELDS TO ALLOW FOR A BETTER VIEW OF THE AREA BEING ADDRESSED. THE BALER SHOULD NEVER BE OPERATED WITH ANY OF THE SAFETY SHIELDS REMOVED.

INTRODUCTION

HOW TO USE THE MANUAL

This manual contains illustrations and parts lists of components and assemblies which make up the machine. Each page consists of the name of the assembly or component, a reference number, part number, part name and the quantities of the part used.

Assembly or component names help identify the illustration and parts list for each figure. This name also helps locate the general area of the machine where the assembly or component can be located.

Reference numbers shown in a column refers to the numbered parts in the illustration. This ties the part in the illustration to the part number and description in the parts list. Part numbers are used to identify individual parts or part assemblies

Part descriptions provide the name of the part, plus additional information such as dimensional specification and what parts are grouped together to form part assemblies, which helps you identify the parts.

Quantities listed for each illustration are only for that assembly or component and not the total used per machine.

Indent dots are used to indicate assemblies and sub-parts of assemblies. No dot indicates the major assembly. Part descriptions which are indented with dots are sub-parts of the major assembly shown above.

This parts manual is not intended to be a complete guide for machine service or repairs. Contact your dealer for any of your service or technical requirements.

UPDATING AND REORDERING MANUALS

The parts lists, illustrations and specifications in this manual are based on the latest information available at the time of publication. Your machine may have product improvement and options not yet contained in this manual.

A copy of this manual is supplied with each machine. Additional copies are available through you dealer. When ordering additional manuals, use the reorder number listed on the front cover and the quantity needed.

BALER SERIAL NUMBER LOCATION AND PARTS ORDERING INFORMATION

Each Freeman Baler is identified by means of a baler model number and baler serial number. As a further identification, all power units are provided with a serial number. The serial number is an important piece of information about the machine and it may be necessary to know it before obtaining the correct replacement part. The serial number is located on the top chamber rail on the rear right-hand side. To ensure prompt, efficient service when ordering parts or requesting repairs from your authorized Freeman dealer, record the serial numbers in the spaces provided.

BALER SERIAL NUMBER

Rear, right side of baler on upper frame.

POWER UNIT SERIAL NUMBER

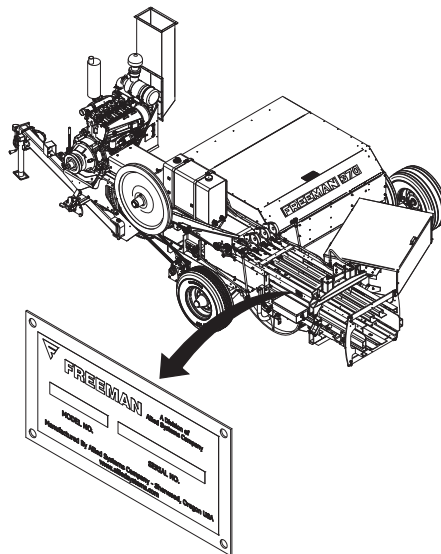
Deutz Diesel-forward side of engine on block.

Cummins Diesel-left on gear housing.

P.T.O. 540 and 1000-top of gearbox.

Hydraulic P.T.O.-front of motor mount and pulley adjustment bracket.

NOTE: Reference to left-hand and right-hand used throughout the manual are understood to mean from a position facing in the direction of travel.



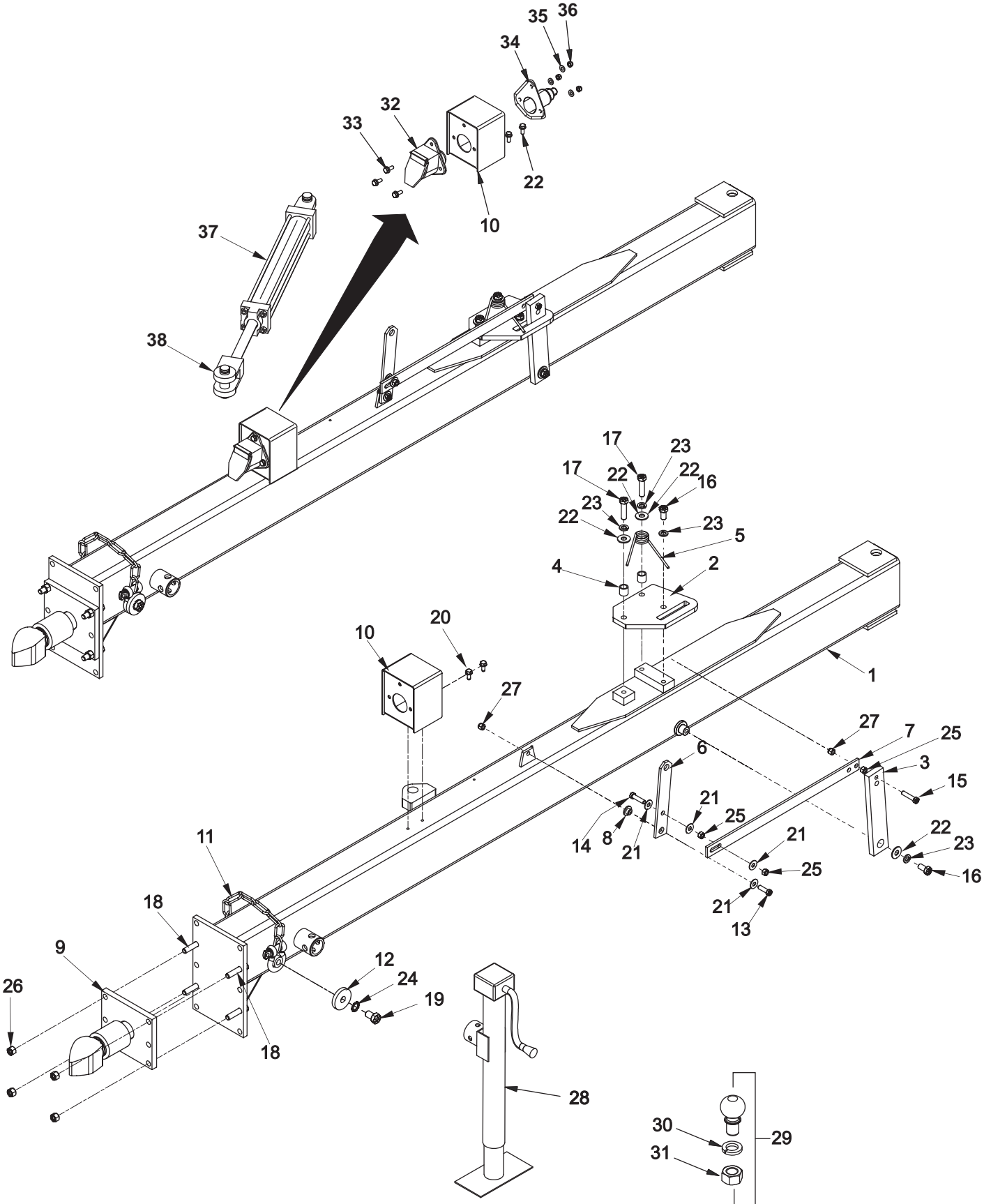
Serial Number Plate located on left side of baler above tool box.

For any further information on parts, service or ordering, consult your local Freeman dealer.

CONTENTS

Axle & Tandem Wheel Plate Assemblies.....	125-126
Bale Chute & Weight Indicator	121-122
Bull Gear Assembly	51-52
Bull Gear Luber Assembly	53-54
Clutch & Power Take Off	25-28
Control Box Assembly (Engine Baler)	13-14
Control Box Remote (Engine Baler)	15-16
Control Box Remote (Hydro Baler).....	17-18
Draw Bar Assemblies	1-2
Draw Bar Assemblies (Hydro Baler)	3-4
Engine Air Cooling Snorkel.....	23-24
Engine Components.....	19-20
Engine Filters & Ancillary Parts	7-8
Engine Mount	5-6
Extra Items	131-132
Feed Arm Connecting Rod Assembly.....	65-66
Feed Arm Pivot Shaft Assembly	67-68
Feed Fork Assembly.....	69-70
Feeder House	75-76
Feeder House Shields	73-74
Flywheel & Pinion Shaft Assembly	45-46
Flywheel Belt Shields (Engine Baler)	47-48
Flywheel Belt Shields (Engine Baler)	49-50
Frame and Chamber Liners.....	59-62
Hay Dogs	63-64
Hay Saver Wheel Assembly & Mounts.....	71-72
Hydraulic Componets and Hoses (Engine Baler).....	113-114
Hydraulic Oil Cooler.....	35-37
Hydraulic Pickup Lift Control	85-86
Hydraulic PTO Pump, Motor and Hoses	29-30
Hydraulic PTO Tank.....	31-33
Hydraulic Valve	115-116
Junction Block and Knotter (Proximity Switch 380 Only).....	103-104
Junction Box Assembl Hydro Baler	39-40
Knotter Assembly 380.....	87-88
Knotter Assembly 385.....	93-95
Knotter Automatic Luber 380.....	109-110
Knotter Brake Assembly	107-108
Knotter Clutch & Drive Assembly.....	101-102
Knotter Fan	111-112
Knotter Shaft Assembly 380	89-90
Knotter Shaft Assembly 385	97-98
Knotter Trip Assemblies.....	105-106
Lights & Battery	129-130
Needles & Yoke Assembly.....	117-118
Pickup Assembly	77-79
Pickup Chain Drive.....	83-84
Pickup Lift & Mounting Assemblies	81-82
Plunger Assembly.....	55-57
Shields	127-128
Spindles, Tires and Wheels	123-124
Tank & Filter Brackets.....	21-22
Tensioning and Rear Mounts.....	41-43
Twine Box Optional 12 Compartment.....	119-120
Twine Finger Drive Assembly 380	91-92
Twine Finger Drive Assembly 385	99-100
Wire Looms (Engine Baler)	9-10
Wire Looms (Engine Baler)	11-12

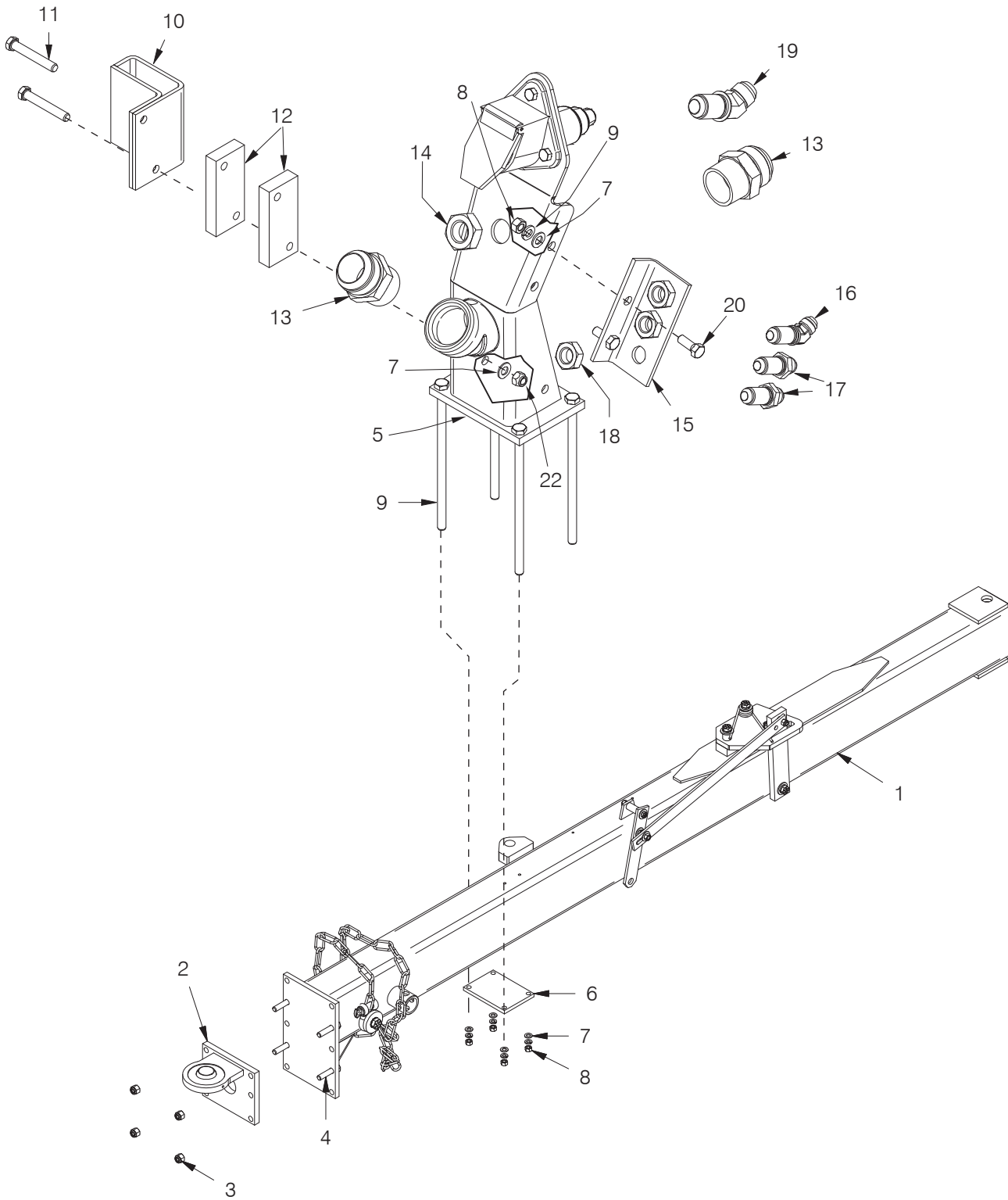
DRAW BAR ASSEMBLIES (ENGINE BALER)



DRAW BAR ASSEMBLIES (ENGINE BALER)

REF NO.	PART NO.	DESCRIPTION	QTY. USED
	902154	DRAWBAR ASSY,SIDE FEED BALERS	
1	DRB036551E	. DRAWBAR ASSEMBLY	1
2	PLT0011228	. TONGUE LATCH PLATE F/ 370	1
3	LTH0011229	. BAR,LATCH;B; .625 X 2FB X 9.88	1
4	BSH0011985	. DRAWBAR BUSHING	2
5	F000001891	. TORSION LATCH SPRING, F/370	1
6	LEV0013885	. PL,LEVER;B; .25PL X 1.5 X 8.5	1
7	LTH0011231	. BAR,LINK;B; .25 X 1.25FB X 21	1
8	F00000440	. FERRULE	1
9	HTH0021097	. BALL HITCH W/FLAT PLATE- NO BALL	1
10	BKT037159B	. HWY LIGHT HARNESS PLUG BRKT	1
11	CHN0000370	. AG SAFETY CHAIN ASSY-370,380	1
12	WAS037158A	. SAFETY CHAIN WASHER	1
13	221499W	. CAPSCREW; 3/8-16 UNC x 1.25	1
14	Y17C-0624	. CAPSCREW; 3/8-16 UNC x 1.5	1
15	R13801813	. CAPSCREW; 3/8-16 UNC x 1.75	1
16	221560W	. CAPSCREW; 1/2-13 UNC x 1	2
17	R13811077	. CAPSCREW; 1/2-13 UNC x 2	2
18	221574W	. CAPSCREW; 1/2-13 UNC x 2.25	4
19	Y18C-1016	. CAPSCREW; 5/8-18 UNF x 1	1
20	SMS0000177	. BOLT, WHIZ; 5/16 NC X .75	2
21	223427	. WASHER, PLAIN; 3/8	4
22	239519	. WASHER, PLAIN; 1/2	3
23	234665	. WASHER, LOCK; 1/2 HEL SPR	4
24	WES0006250	. WASHER, STAR; 5/8	1
25	R13809551	. NUT, HEX; 3/8 NC GR5	3
26	R13811193	. NUT, LOCK; 1/2 NC	4
27	R13811191	. NUT, LOCK; 3/8 NC	2
28	JCK0178203	JACK,5000LB,SIDEWIND	1
	PIN0018402	. LOCK PIN ASSEMBLY	1
29	HTH0031000	BALL W/NUT-WSHR	1
30	WLK0012500	. 1-1/4 LOCKWASHER	1
31	221725W	. NUT, HEX; 1 1/4 NF GR8 ZY	1
32	SOK0012310	SOCKET; (7 POLE)	1
33	R13801791	CAPSCREW; 5/16 UNC X 3/4	3
34	SOK0000007	BOOT	1
35	R13811444	WASHER, FLAT; 5/16	1
36	223588	NUT, ESNA; 5/16 NC GR5	1
37	CYL0009014	CYLINDER- HYDRAULIC SWINGBAR	1
38	F000006498	CYLINDER PIVOT PIN	2
	F000006511	HAIRPIN FOR CYLINDER PIN	2

DRAW BAR ASSEMBLIES (HYDRO BALER)

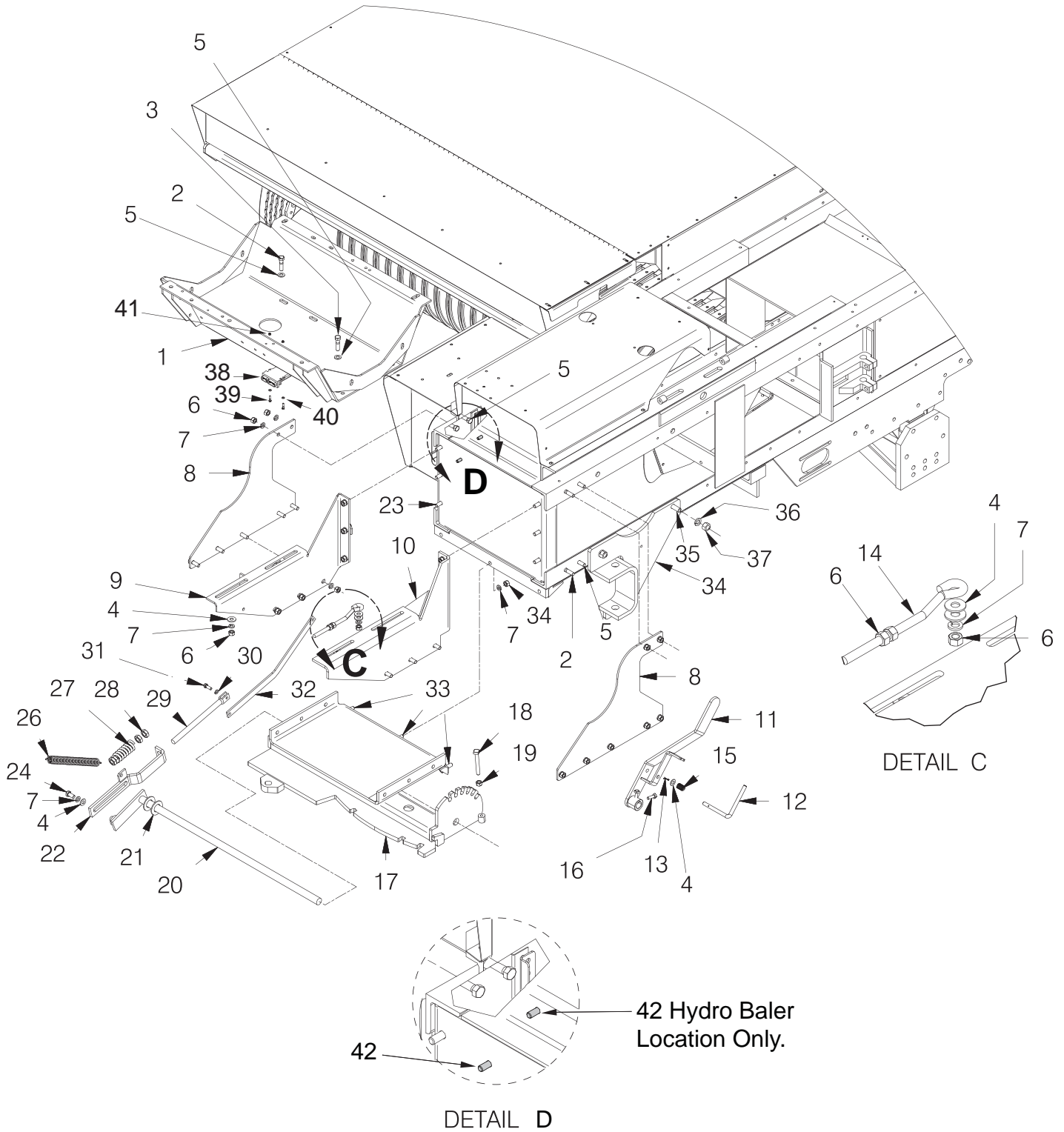


DRAW BAR ASSEMBLIES (HYDRO BALER)

REF NO.	PART NO.	DESCRIPTION	QTY. USED
1	*902154	DRAWBAR ASSY,SIDE FEED BALERS	1
2	HTH0006675	HITCH HYDRO PTO	1
3	R13811193	NUT, LOCK; 1/2 NC	4
4	221574W	CAPSCREW; 1/2-13 UNC x 2.25	4
5	901758	SUPPORT WLDMT,HYD LINE	1
6	901760	PLATE,MTG	1
7	223427	WASHER, PLAIN; 3/8	8
8	R13809551	NUT, HEX; 3/8 NC GR5	8
9	234135	WASHER, LOCK; 3/8	8
10	BKT037159B	BRACKET WLDMT; PUMP STAND	1
11	180959W	CAPSCREW; 3/8 UNC X 2 1/2	2
12	901761	PLATE,SPACER	2
13	209763	FITTING; ST	2
14	HYD5924060	BULKHEAD NUT 3/4"	1
15	901763	V-RAIL,LOAD	1
16	059-0042	FITTING	1
17	215203	FITTING	2
18	HYD5924040	BULKHEAD NUT 1/2"	3
19	17707	FITTING	1
20	Y17C-0616	CAPSCREW; 3/8 UNC X 1	2
21	234697	CAPSCREW; 3/8 UNC X 7 1/2	4
22	R13811191	NUT, LOCK; 3/8 NC	2

*902154 See Page 6 and 7 for assembly

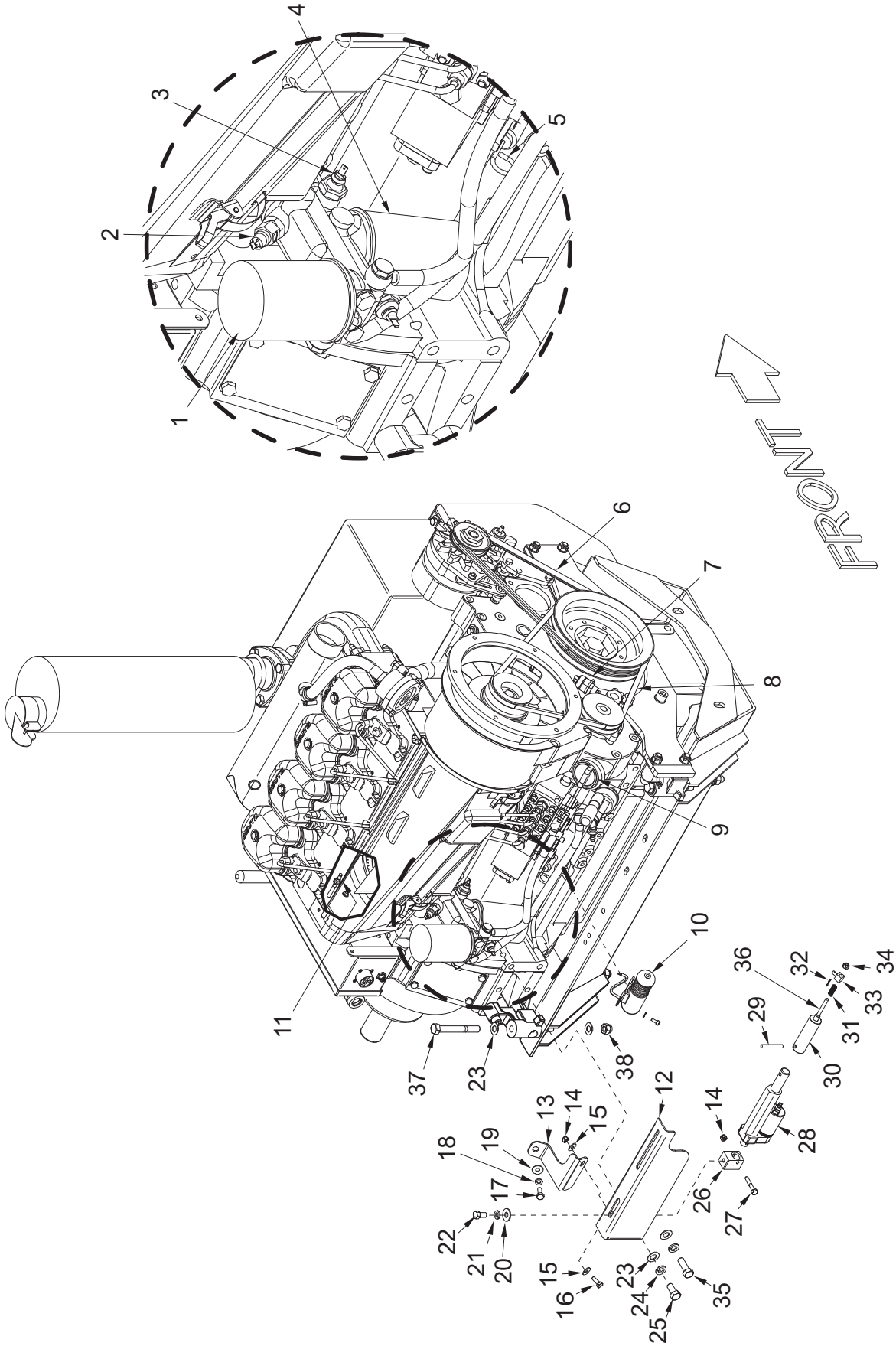
ENGINE MOUNT



ENGINE MOUNT

REF NO.	PART NO.	DESCRIPTION	QTY. USED	REF NO.	PART NO.	DESCRIPTION	QTY. USED
1	MNT0018340	4 CYL FRONT MOUNT BELLY PAN	1	23	SFC0050003	CAPSCREW; 1/2-20 X 1-1/4 NF	6
2	221574W	CAPSCREW; 1/2 UNC X 2 1/4 HX HD	4	24	234885	HEX CAP SCREW 1/2-13 X 1"	1
3	229171	HEX HEAD CAP SCREW 1/2-13 X 1-1/2	2	25	R13812641	HEX NUT NF 1/2	9
4	239519	FLAT WASHER 1/2	8	26	F000001517	TRIP SPRING	1
5	211304	WASHER, HARD 1/2	4	27	F000007566	CUSHION SPRING F/LIFT CABLE	1
6	234921	HEX NUT 1/2	20	28	238381	HEX JAM NUT 3/4	4
7	234665	WASHER, LOCK; 1/2	27	29	ROD0016321	P/U LIFT SPRING ADJ ROD ASSY	1
8	GUS0024467	HITCH PLT SUPT GUSSET-16" CHMB	2	30	234135	WASHER, LOCK; 3/8 REG HEL SPR	1
8	GUS0024468	HITCH PLT SUPT GUSSET-17" CHMB	2	31	00180122	CAPSCREW; 3/8 NC X 1 GR5	3
8	GUS0024469	HITCH PLT SUPT GUSSET-15" CHMB	2	32	LNK0016320	PICKUP LIFT LINK	1
8	GUS0024470	HITCH PLT SUPT GUSSET-14" CHMB	2	33	216107	CAPSCREW; 1/2 NF X 1 3/4	3
9	F000007799	RH ENGINE MOUNT	1	34	BKT0016306	DRAWBAR BRACKET ASSY	1
10	MNT0023153	L. H. ENGINE MNT	1	35	233870	CAPSCREW; HEX HEAD 3/4-16 X 2-1/2"	2
11	F000007539	PICKUP LIFT LEVER ARM	1	36	R13812518	WASHER, LOCK; 3/4 REG HEL SPR ZY	2
12	F000007540	P/U LIFT LEVER ADJ PIN	1	37	240568	NUT, HEX; 3/4 NF GR8	2
13	00103385	PIN, COTTER; 1/8 X 1	1	38	2305473W	DVC10 CONTROL MODULE	1
14	F000007010	ADJUSTING BOLT - PLATED	2		902977	DVC10 CONTROL MOD W/ PROGRAM	1
15	F000007541	COMPRESSION SPRING	1	39	SCB0000103	GRD 2 HEX HD CS NC 1/4 X 1-1/4	2
16	SQS3751250	SET SCR; 3/8 NC X 1 1/4 SQ HD	2	40	R13811443	WASHER, FLAT; 1/4	2
17	HTH0030950	HITCH BASE	1	41	235620	ESNA NUT NC 1/4	2
18	F000000073	SQUARE HEAD SET SCREW 1/2-13 X 4"1	1	42	903115	SWITCH, PROX	1
19	234218	JAM NUT-HEX 1/2	1				
20	PLF0026952	CROSS ROD PICKUP	1				
21	F000008247	WASHER 1-1/8 ID X 3 OD	3				
22	BKT0016324	P/UP DAMPER SPRING BRACKET	1				

ENGINE FILTERS AND ANCILLARY PARTS



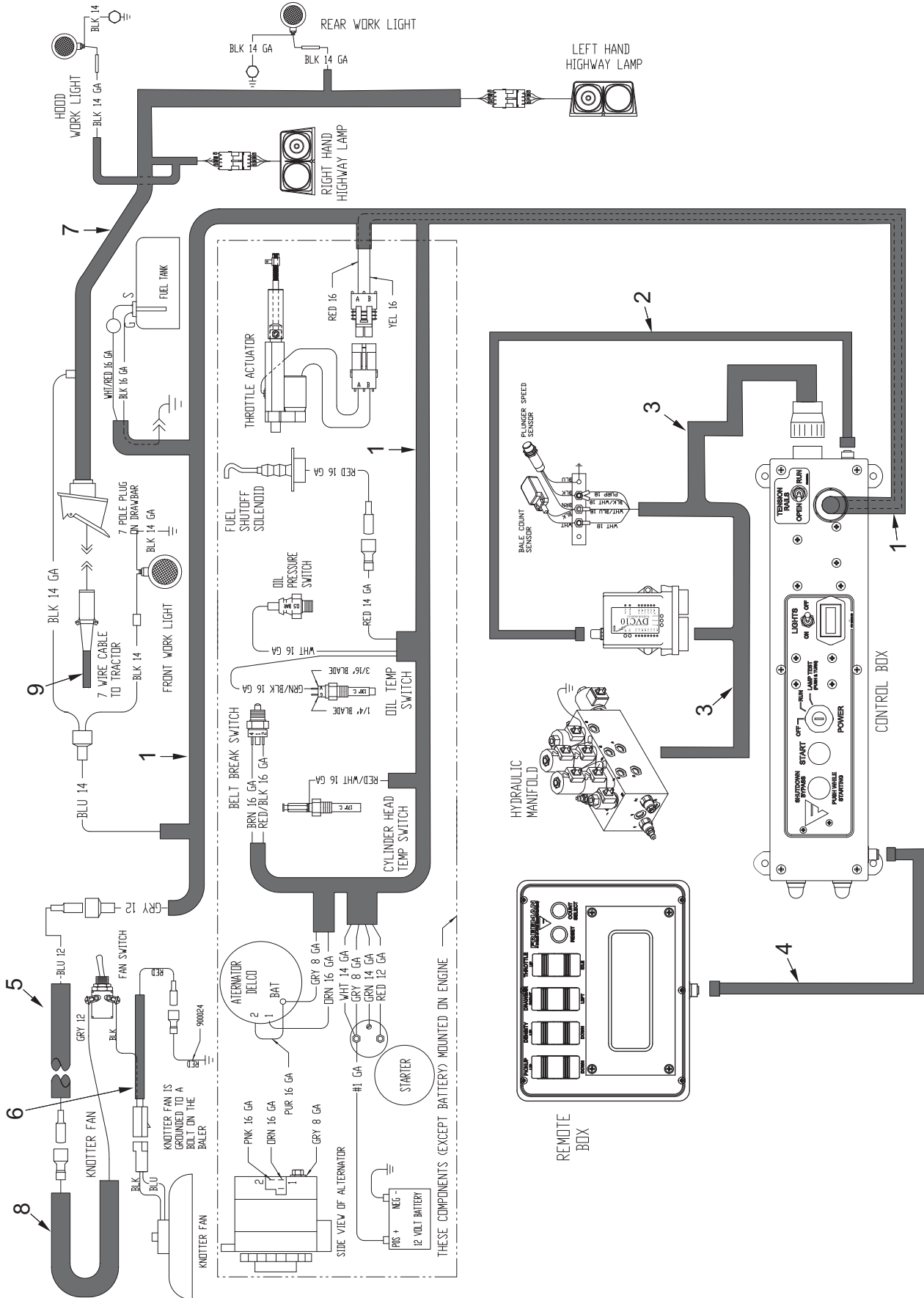
ENGINE FILTERS AND ANCILLARY PARTS

REF NO.	PART NO.	DESCRIPTION	QTY. USED
1	FIL1160243	FUEL FILTER F/DEUTS & CUMMINS	1
2	DTZ0271160	OIL TEMPERATURE SWITCH	1
3	DTZ1176023	OIL PRESSURE SENDER	1
4	252494	OIL FILTER	1
5	255664	DIP STICK	1
6	DTZ2235178	ALTERNATOR BELT 912 & 914 4 CYL	1
7	DTZ0272326	BROKEN BELT STOP SWITCH	1
8	* 253343	COOLING FAN BELT 914 MOTOR 4 CYL	1
9	255665	OIL FILLER CAP-DEUTZ ENGINE	1
10	253015	SOLENOID	1
11	DTZ1173470	TEMPERATURE SENSOR	1
12	900055	PLATE, SUPPORT	1
13	900057	PLATE,BRACE	1
14	235620	NUT, ESNA; 1/4 NC GR8	2
15	R13811443	FLATWASHER 1/4	2
16	223574	HEX HD CS 1/4-20 X 3/4"GRD 5 PLAIN	1
17	Y09C-M0820	GRD 8.8 HEX HD CS 8M X 20MM MC	1
18	235554	WASHER, LOCK; 5/16	1
19	223428	WASHER, FLAT; 5/16	1
20	R13811431	FLAT WASHER SAE 3/8"	1
21	234135	WASHER, LOCK; 3/8 REG HEL SPR	1
22	235207	ELEC ACTUATOR W/INTERNAL SWITCH	1
23	222615	WASHER, FLAT; 1/2 PLAIN	6
24	234665	WASHER, LOCK; 1/2 HEL SPR	2
25	293644W	GRD 10.9 HEX HD CS 12M X 25MM	1
26	MNT0035653	THROTTLE ACTUATOR MOUNT	1
27	SCC0000104	HEX HD CS NC 1/4 X 1-1/2	1
28	ACTS121728	ELEC ACTUATOR W/INTERNAL SWITCH	1
29	ZZ00000705	PIN, ROLL; (1/4 DIA X 2)	1
30	LNK0035654	THROTTLE ACCELERATOR LINK	1
31	F000000169	SPRING	1
32	COT0000301	COTTER PIN 3/32 X 3/4	1
33	LEV0032159	LEVER ADAPTOR,ACCEL THROTTLE	1
34	235620	ESNA NUT 1/4 NC GR8	1
35	Y09C-M1235	GRD 8.8 HEX HD CS 12M X 35MM	1
36	ROD0035655	THROTTLE ACCELERATOR ROD	1
37	R13811085	CAPSCREW; 1/2 UNC X 4 HX HD	4
38	223587	NUT, ESNA; 1/2 NC GR8	4

* S/N ASC-380-018 AND BEFORE USES 2 FAN BELTS

* S/N ASC-385-086 AND BEFORE USES 2 FAN BELTS

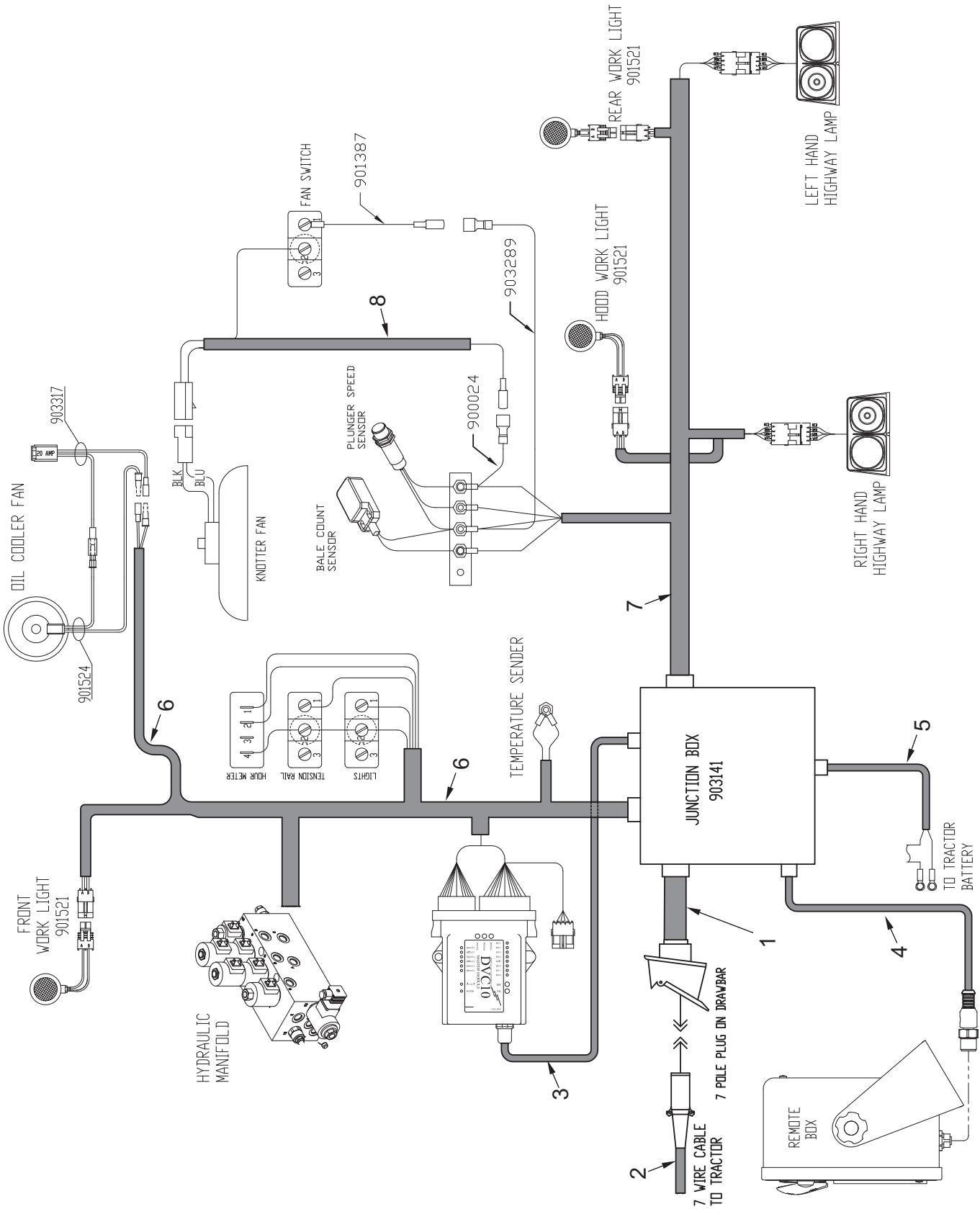
WIRE LOOMS (ENGINE BALER)



WIRE LOOMS (ENGINE BALER)

REF NO.	PART NO.	DESCRIPTION	QTY. USED
1	903248	WIRE HARNESS,ENGINE; DEUTZ 914	1
2	252640	CABLE DVC10 TO CONTROL BOX	1
3	900387	WIRE HARNESS; DVC 10	1
4	252639	CABLE REMOTE CONTROL TO C/BOX	1
5	HRN0022923	HARNESS BAT TO KNT FAN BREAKER	1
6	HRN037411B	WIRE HARNES; KNT FAN SWITCH	1
7	HRN037275D	HARNESS; HIGHWAY LIGHTING	1
8	901837	COOLING FAN BELT 914 MOTOR 4 CYL	1
9	CBL0011127	CABLE ASSY;TRACTOR TO D/BAR	1

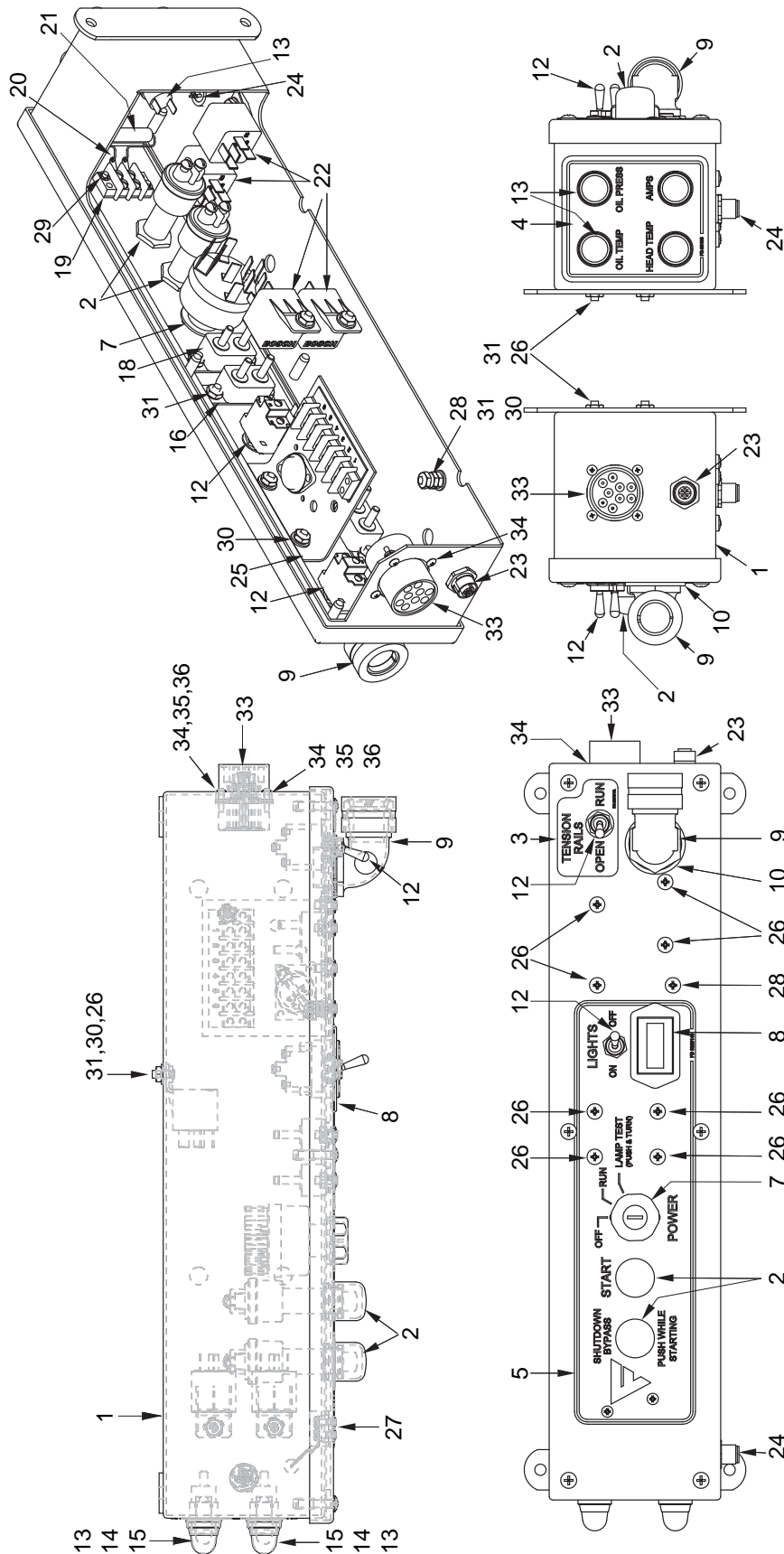
WIRE LOOMS (HYDRO BALER)



WIRE LOOMS (HYDRO BALER)

REF NO.	PART NO.	DESCRIPTION	QTY. USED
1	901442	WIRE HARNESS,ENGINE; DEUTZ 914	1
2	CBL0011127	CABLE ASSY;TRACTOR TO D/BAR	1
3	253215	WIRE HARNESS; DVC 10	1
4	252639	CABLE REMOTE CONTROL TO C/BOX	1
5	903117	HARNESS BAT TO KNT FAN BREAKER	1
	255583	. FUSE, 80 AMP	1
6	903142	WIRE HARNES; KNOTTER FAN SWITCH	1
7	901532	HARNESS; HIGHWAY LIGHTING	1
8	HRN037411B	COOLING FAN BELT 914 MOTOR 4 CYL	1
9	CBL0011127	CABLE ASSY;TRACTOR TO D/BAR	1

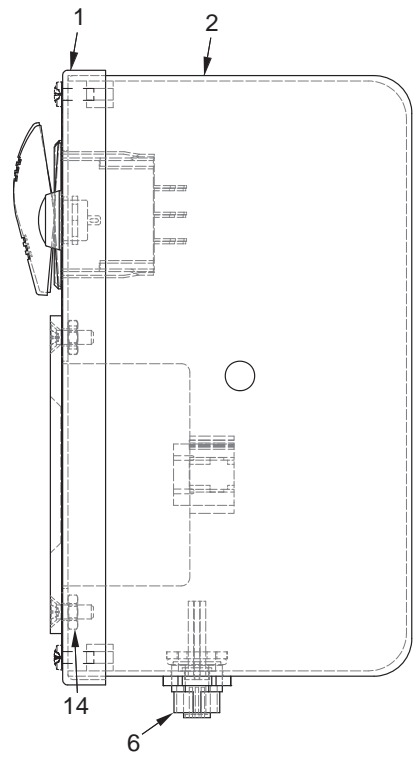
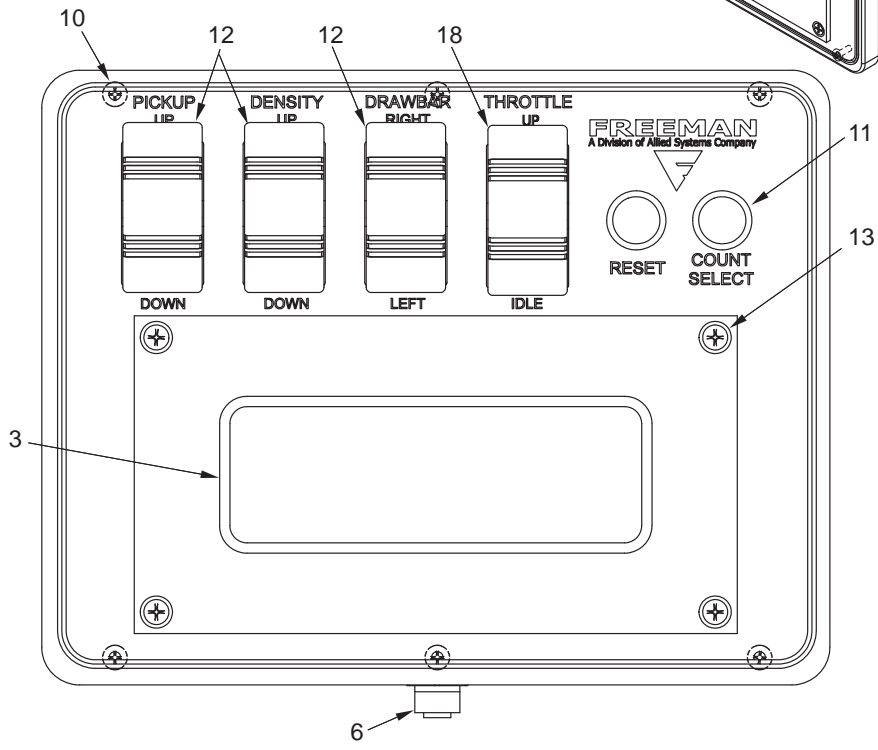
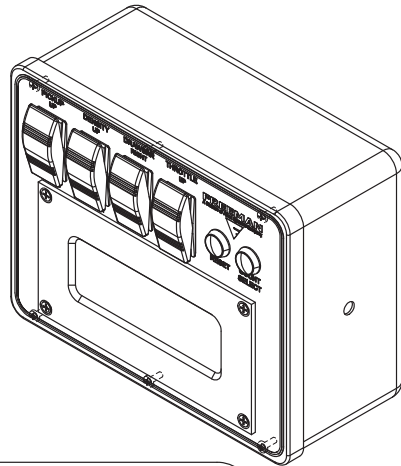
CONTROL BOX (ENGINE BALER)



CONTROL BOX (ENGINE BALER)

REF NO.	PART NO.	DESCRIPTION	QTY. USED	REF NO.	PART NO.	DESCRIPTION	QTY. USED
	900392	CONTROL BOX ASSEMBLY,DVC10					
1	900393	. BOX	1	20	TER0000099	. TERMINAL LUG	2
2	DTZ0000626	. SWITCH, PUSH BUTTON	2	21	RES0045015	. RESISTOR	1
3	FD0037374A	. DECAL	1	22	R4510197	. RELAY	4
4	FD00029195	. DECAL	1	23	900419	. WIRE HARNESS	1
5	FD00028146	. DECAL	1	24	900420	. WIRE HARNESS	1
7	SWI0001140	. SWITCH, IGNITION	1	25	CIR0029071	. MODULE ASY, AUTO SHUTDOWN	1
8	GAG0001133	. HOURMETER	1	26	230640	. MACHINE SCREW 10-32 X 1/2 RD HD12	2
9	208111	. CONNECTOR, CORD	1	27	SMR6320500	. MACHINE SCREW 6-32 X 1/2 RD HD	2
10	231044	. RING, SEAL	1	28	SMP1032750	. MACHINE SCREW 10-32 X 3/4 PAN HD2	2
11	NMS0000109	. CONDUIT LOCKNUT 3/4	1	29	WIS0000600	. #6 INTERNAL STAR WASHER-9/32"	2
12	229289	. TOGGLE SWITCH	2	30	00103338	. FLAT WASHER #10	8
13	LIT1250410	. BASE, LAMP	4	31	220044	. HEX NUT 10-32 NF	1
14	LIT0001815	. LAMP, BAYONET	4	32	WIS0001000	. LOCKWASHER #10	4
15	LIT1251131	. LENS, RED	4	33	900423	. WIRE HARNESS	1
16	200274	. CIRCUIT BREAKER	1	34	044X050PPM	. MACHINE SCREW 4-40 X 1/2 PAN HD	4
17	CBK0014520	. CIRCUIT BREAKER	1	35	236770	. NUT, ESNA 4-40 NC GR8 HX	4
18	CBK0005515	. CIRCUIT BREAKER	1	36	WIS0000400	. LOCKWASHER #4 INT TOOTH	4
19	BAB0002140	. TERMINAL BLOCK	1				

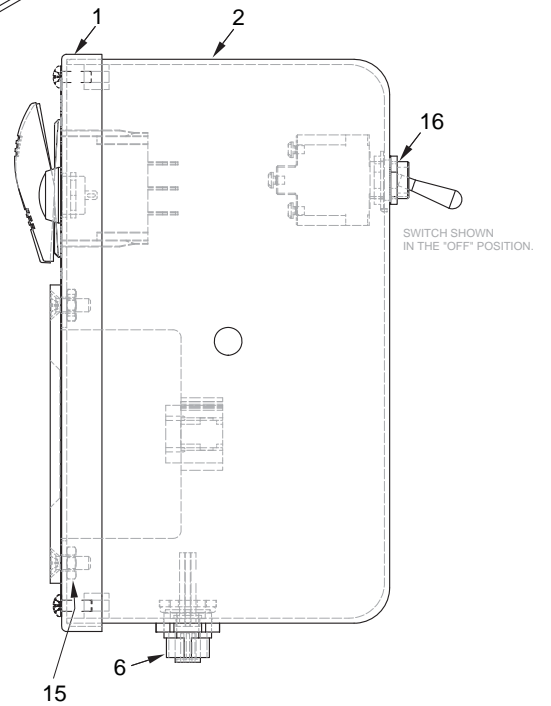
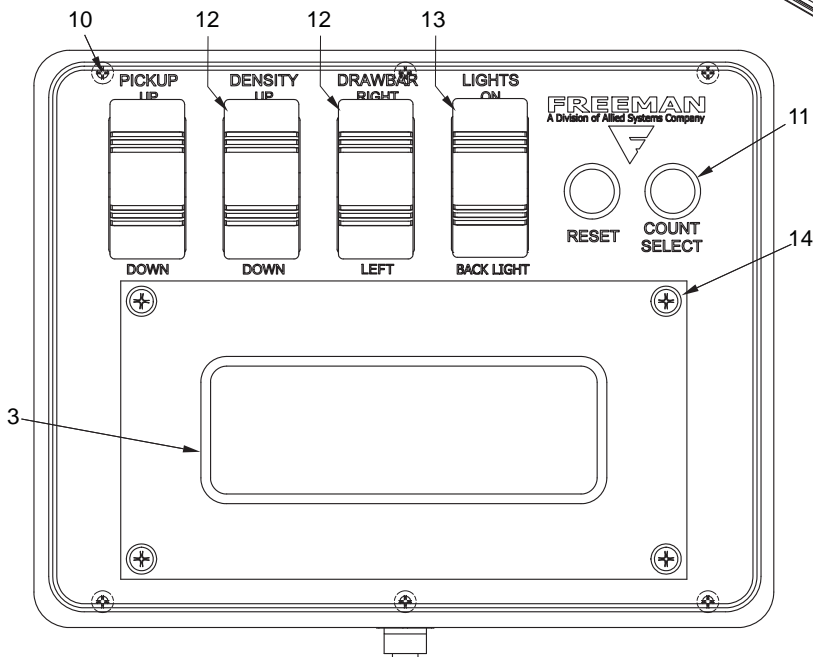
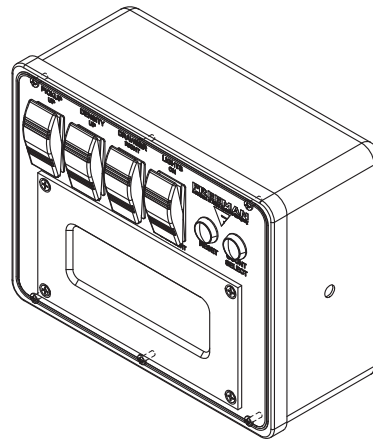
REMOTE CONTROL BOX (ENGINE BALER)



REMOTE CONTROL BOX (ENGINE BALER)

REF NO.	PART NO.	DESCRIPTION	QTY. USED
	902426	CONTROL BOX ASSEMBLY, REMOTE	
1	901391	. COVER	1
2	901211	. BOX	1
3	903190	. DISPLAY	1
6	901394	. WIRE HARNESS	1
10	902427	. DECAL	1
11	SWI0000004	. SWITCH, PUSH BUTTON	2
12	SWI0000007	. SWITCH, ROCKER	3
13	236712	. MACHINE SCREW 10-32 X 5/8 FL HD	4
14	222255	. HEX NUT 8-32 NC GR5	4
18	SWI0000008	. SWITCH, ROCKER	1

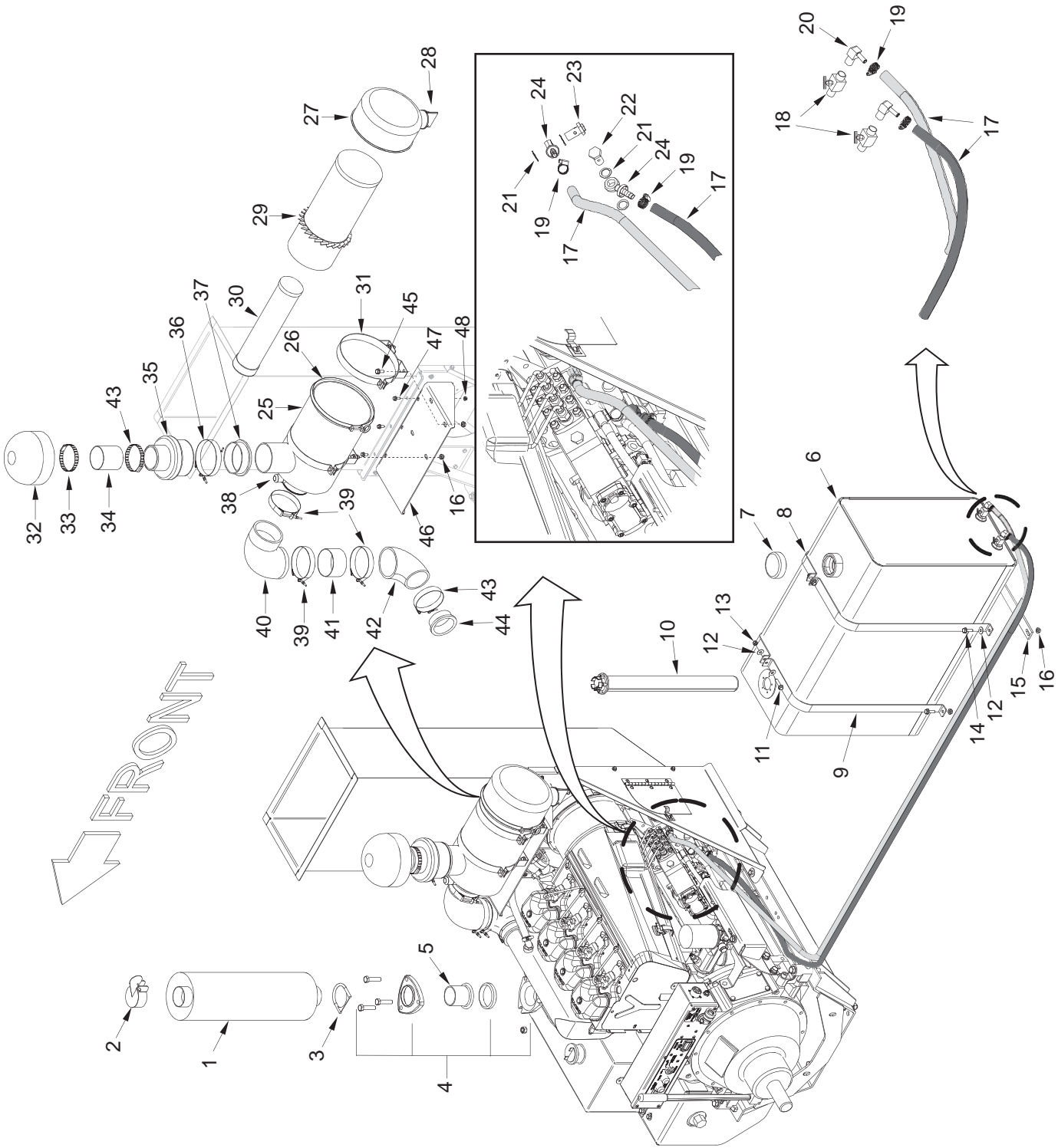
REMOTE CONTROL BOX (HYDRO BALER)



REMOTE CONTROL BOX (HYDRO BALER)

REF NO.	PART NO.	DESCRIPTION	QTY. USED
	901392	REMOTE CTRL BOX ASSEMBLY	
1	901391	. COVER	1
2	901211	. BOX	1
3	903190	. DISPLAY	1
6	903166	. WIRE HARNESS,REMOTE BOX	1
10	901393	. DECAL	1
11	SWI0000004	. SWITCH, PUSH BUTTON	2
12	SWI0000007	. SWITCH, ROCKER	3
13	SWI0000003	. SWITCH, ROCKER	1
14	236712	. MACHINE SCREW 10-32 X 5/8 FL HD	4
15	222255	. HEX NUT NUT, HEX; 8-32 NC GR5	4
16	229289	. TOGGLE SWITCH	1

ENGINE COMPONENTS



ENGINE COMPONENTS

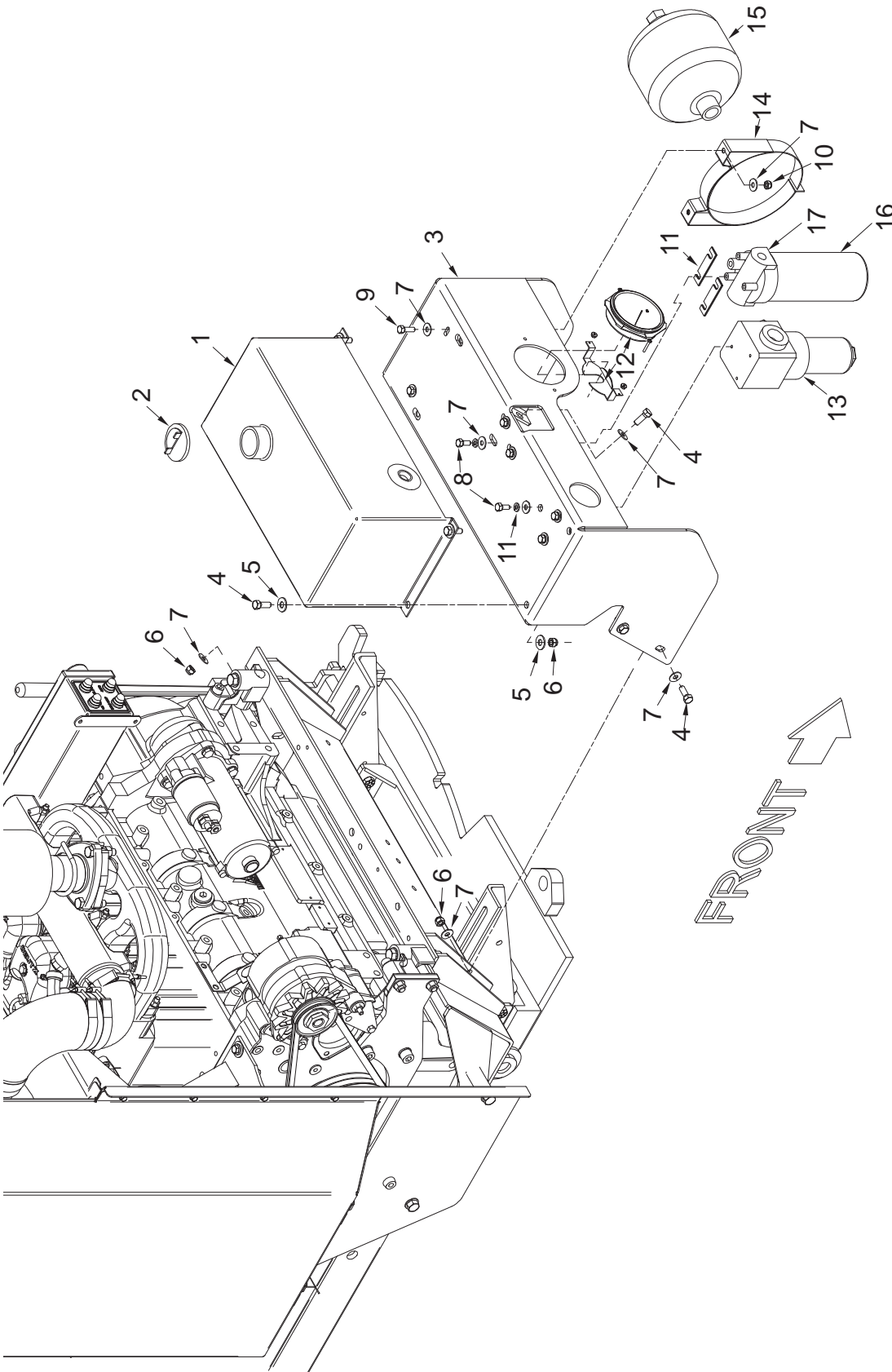
REF NO.	PART NO.	DESCRIPTION	QTY. USED	REF NO.	PART NO.	DESCRIPTION	QTY. USED
1	252293	MUFFLER	1	21	DTZ1118688	SEALING RING	4
2	EXH0011007	#6 EXHAUST CAP 2- 1/2" - 2 11/16"	1	22	DTZ1119246	BANJO BOLT	1
3	CLP0035751	HD EXHAUST CLAMP 2-1/2"	11	23	255653	VALVE, OVER FLOW	1
4	DTZ0009462	EXHAUST MANIFOLD FLANGE KIT	1	24	252601	BANJO FITTING	2
	DTZ1137391	BRASS BOLT F/DTZ EXHAUST DONUT	3	25 *	254896	AIR CLEANER ASSY; STYLE A (METAL)	1
	DTZ1137394	BRASS NUT F/DTZ EXHAUST DONUT	3		255496	. BODY	1
	DTZ3348038	EXHAUST DONUT F/DEUTS ENGINE	1	26	255492	. BODY CLAMP	1
5	EXH0013806	EXHAUST TUBE-DEUTZ & MURPHY	1	27	255493	. COVER	1
6	903326	FUEL TANK 30 GAL.	1	28	255497	. VALVE, ACTUATOR	1
	FD00000035	DECAL; DIESEL FUEL ONLY (1 1/2 X 4)	1	29	255494	. FILTER, PRIMARY	1
6	903475	FUEL TANK - OPTION 20 GAL		30	255495	. FILTER, SAFETY	1
	FD00000035	DECAL; DIESEL FUEL ONLY (1 1/2 X 4)	1	31	ACL0004307	BAND, MOUNTING	2
7	F000001689	FUEL TANK CAP	1	32	252742	PRECLEANER	1
8	STR037319D	PL,RH STRAP 30 GAL	2	33	226307	. CLAMP, T-BOLT	1
	STR037297D	RH FUEL TANK STRAP SHORT 20 GAL	2	34	902913	TUBE	1
9	STR037320D	LH STRAP 30 GAL	2	35	255120	REDUCER, HUMP HOSE	1
	STR037298D	LH FUEL TANK STRAP LONG 20 GAL	2	36	207147	CLAMP, T-BOLT	1
10	SDR0RA9320	FUEL LEVEL SENDER 30 GAL	1	37	255118	REDUCER, INSERT	1
	SDR0RA9312	FUEL LEVER SENDER 20 GAL	1	38	ACL0000004	MINI RESTRICTION INDICATOR	1
11	SMS0000815	BOLT, WHIZ; 5/16 NC X 1 1/4	2	39	207146	CLAMP, T-BOLT	2
12	223428	WASHER, FLAT; 5/16 ZC	6	40	902909	ELBOW	1
13	223588	NUT, ESNA; 5/16 NC	2	41	902904	TUBE, SPACER	1
14	SMS0000177	BOLT, WHIZ; 5/16 NC X 1	4	42	4200115	ELBOW, RUBBER	1
15	MNT0032033	MOUNT, GAS TANK	1	43	225370	CLAMP, T-BOLT	2
16	00273802	NUT, SERRATED; 5/16	8	44	ACL0000005	INSERT, RUBBER	1
17	902165	HOSE, FUEL	1	45	SMS0000184	BOLT, WHIZ; 5/16 NC X 3/4 ZC	4
18	F000008189	SHUT-OFF VALVE	2	46	902789	PLATE, MOUNTING	1
19	F000008301	MINI WORM DRIVE CLAMP	4	47	SMS0000171	WHIZ BOLT 1/4 X 5/8 NC -PLATED	3
20	HYD0001571	MINI-BARB 1/4 HOS X 1/4 NPT 90*	2	48	09416918	NUT, SERRATED; 1/4 NC GR5	3

254896 Replaces 252741 starting with serial number:

ASC-0380-018

ACS-0385--085

TANK AND FILTER BRACKETS CONTINUED

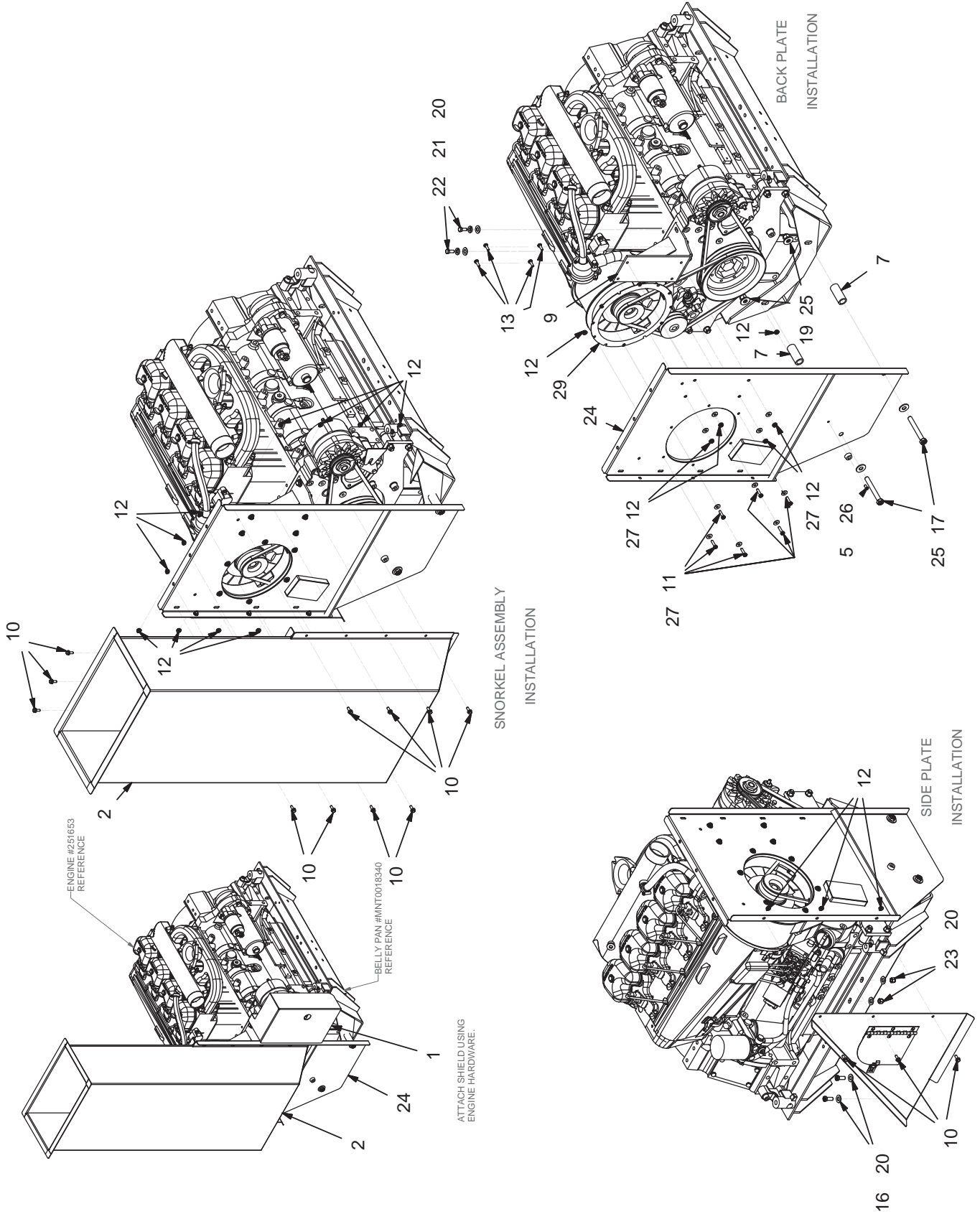


TANK AND FILTER BRACKETS CONTINUED

REF NO.	PART NO.	DESCRIPTION	QTY. USED
1	TNK004Z980	HYDRAULIC RESERVOIR 5 GAL	1
2	CAP0001390	CAP ONLY	1
*3	902265	PL,TANK MNT	1
4	SCC0080305	GRD 8 HEX HD CS NC 3/8 X 1	10
5	223427	WASHER, FLAT; 3/8	8
6	237567	NUT, ESNA;A; 3/8 NC GR8	8
7	223428	WASHER, FLAT; 5/16	18
8	SMS0000184	BOLT, WHIZ; 5/16 NC X 3/4	6
9	223655	CAPSCREW; 5/16 NC X 1	2
10	223588	NUT, ESNA; 5/16 NC	2
11	902447	PL,SHIM	2
12	GAG0000001	GAUGE, TENSION; 4" (3000PSI)	1
13	252800	FILTER ASSY, INLINE PRESSURE	1
	252801	ELEMENT, FILTER	1
	252958	FILTER HEAD	1
	256508	O-RING	1
14	254142	BRACKET, ACCUMULATOR;	1
15	ACMSBO2102	HYDRAULIC ACCUMULATOR	1
16	FIL0HF6613	FILTER ELEMENT-SYNTHETIC	1
17	FIL0HH6935	HYDRAULIC FILTER HEAD	1

* Installed on 385 balers with Serial Number ASC-0385-072 and after
 Installed on 380 balers with Serial Number ASC-0380-009, ASC-0380-013 and after

ENGINE AIR COOLING SNORKEL 914 MOTOR



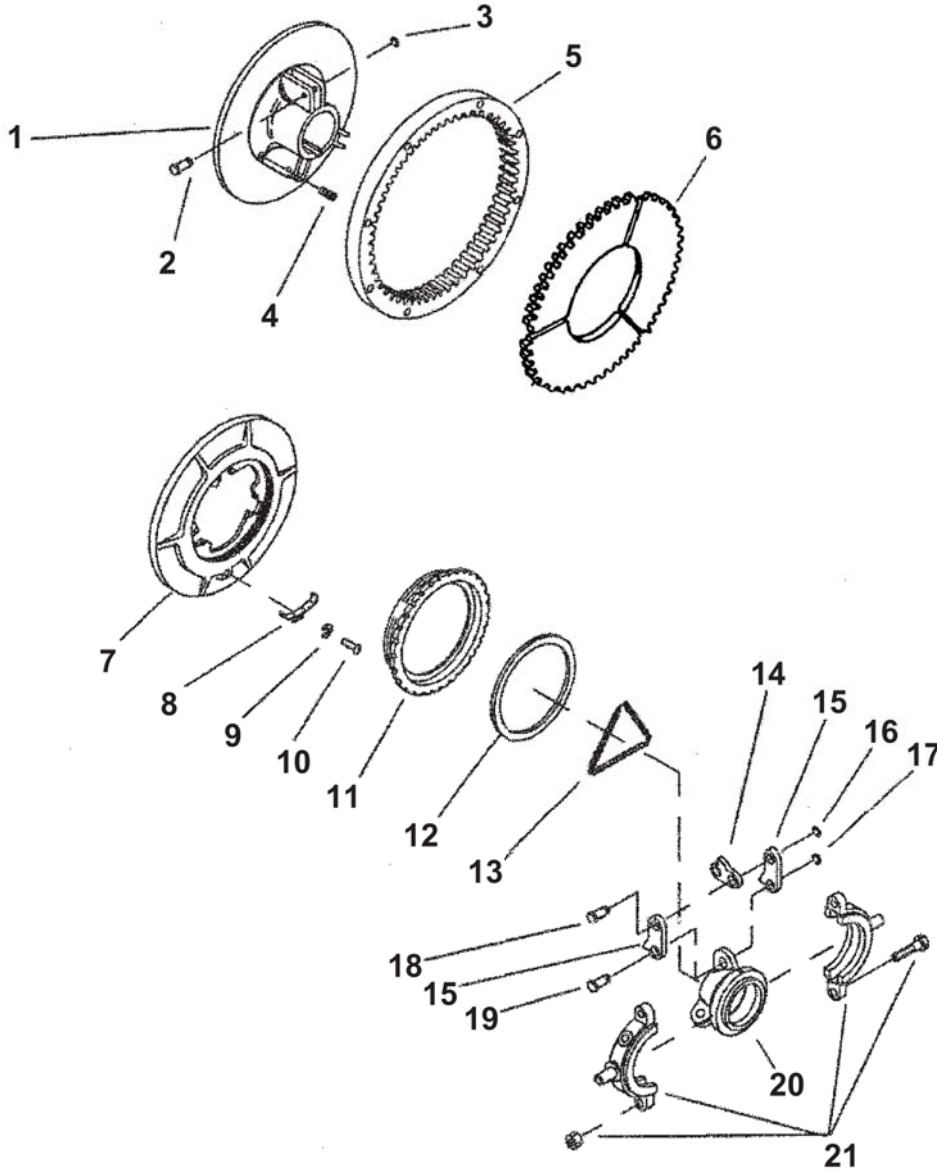
ENGINE AIR COOLING SNORKEL 914 MOTOR

Installed on 385 balers with Serial Number ASC-0385-064 and after

Installed on 380 balers with Serial Number ASC-0380-009 and after

REF NO.	PART NO.	DESCRIPTION	QTY. USED
1	903313	SHIELD WELDMENT,ALT BELT	1
	FD00023572	. DECAL, CAUTION	1
2	902050	SNORKEL ASSEMBLY,W/DOOR	1
5	BMP0004243	BUMPER, RUBBER	1
7	902146	PIPE	2
8	902148	BRACKET ASSEMBLY,SIDE	1
9	902145	SUPPORT WELDMENT	1
10	SMS0000171	WHIZ BOLT 1/4 X 5/8 NC -PLATED	14
11	R13810993	CAPSCREW; 1/4 UNC X 1 HX HD	6
12	09416918	NUT, SERRATED; 1/4 NC GR5	25
13	224120W	CAPSCREW;1/4 UNC X 3/4 HX HD	4
16	Y17C-0616	CAPSCREW; 3/8 UNC X 1 HX HD	2
17	R13811085	CAPSCREW; 1/2 UNC X 4 HX HD	2
19	223587	NUT, ESNA; 1/2 NC GR8	2
20	222677	FLAT WASHER; 7/16 PLAIN	6
21	R13806996	LOCKWASHER; 7/16 REG HEL SPR	2
22	293613W	CAPSCREW; M8 X 1.25 X 20 HX HD	2
23	237567	NUT, ESNA; 3/8 NC	2
24	902045	PLATE WELDMENT,BACK	1
25	222615	FLAT WASHER; 1/2 PLAIN	4
26	00113955	MACHINE SCREW; 1/4 NC X 1/2 RD HD	1
27	R13802619	FLAT WASHER; 1/4	10
29	DTZ0272401	BRUSH RING	1

CLUTCH

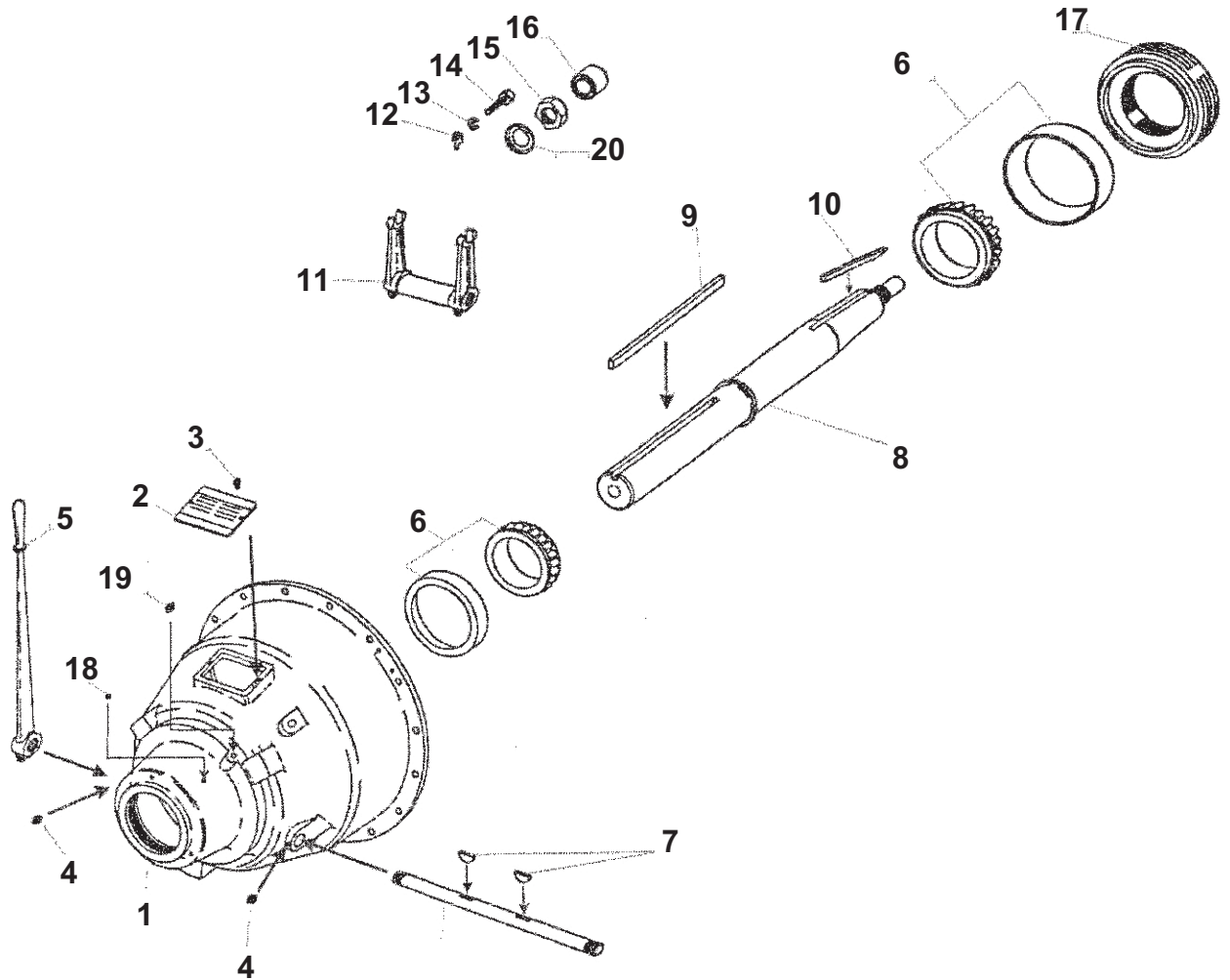


CLUTCH

REF NO.	PART NO.	DESCRIPTION	QTY. USED
1	CLH0230819	CLUTCH BODY	1
2	*****	CLEVIS PIN	3
3	*****	RETAINING RING	3
4	*****	SEPERATOR SPRING	3
5	CLH0205851	CLUTCH PLATE & RELEASE ASB-DTZ	1
6	CLH0203569	FACING PLATE	1
7	CLH0216506	COMPRESSION SPRING F/DTZ CLTCH	1
8	*****	ADJUSTMENT LOCK	1
9	*****	LOCK WASHER	1
10	*****	LOCK BOLT	1
11	CLH0205823	ADJUSTING RING	1
12	CLH0205997	WEAR RING	1
13	*****	LEVER SPRING	1
14	*****	LEVER	3
15	*****	LINK	6
16	*****	RETAINING RING	3
17	*****	RETAINING RING	3
18	*****	CLEVIS PIN	3
19	*****	CLEVIS PIN	3
20	CLH0206563	RELEASE SLEEVE	1
21	CLH0334051	RELEASE BEARING	1

***** ITEM AVAILABLE ONLY AS PART OF
CLUTCH KIT CLH0332919

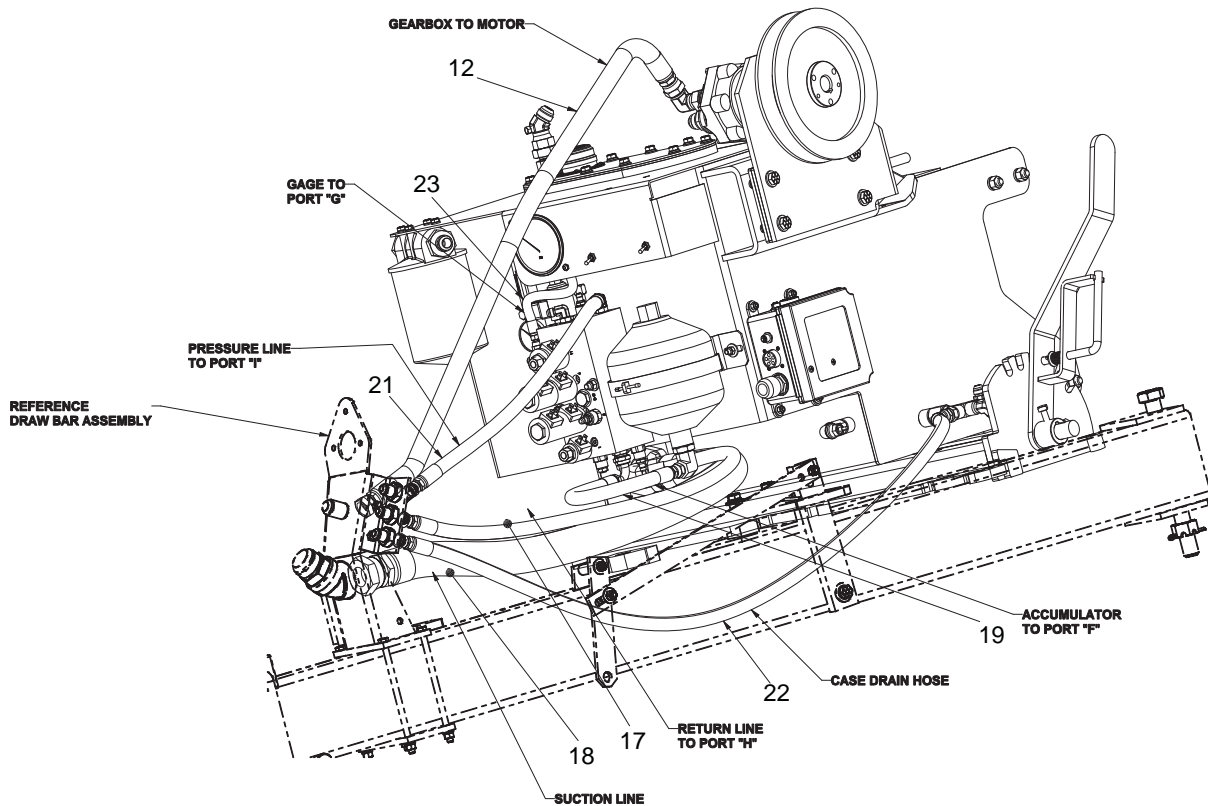
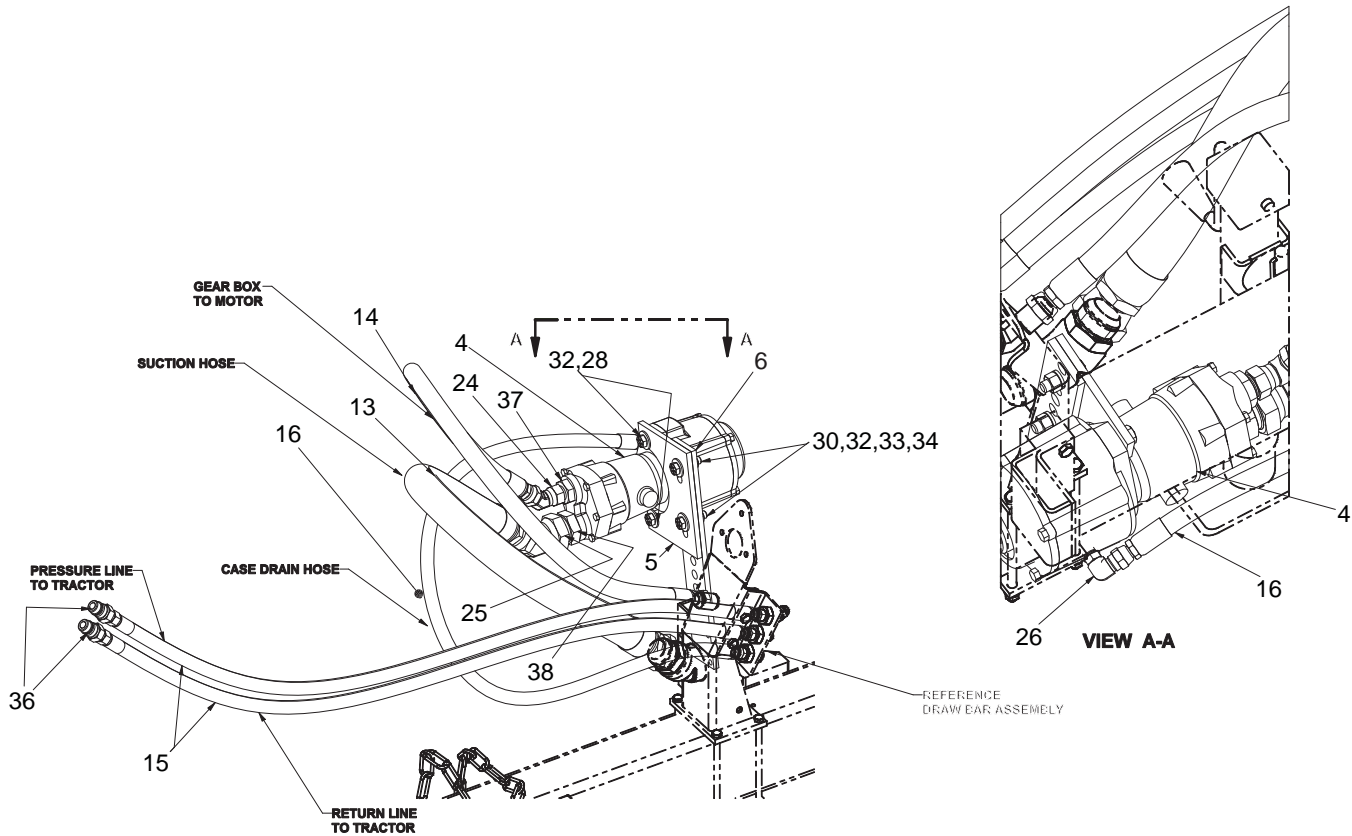
POWER TAKE-OFF



POWER TAKE-OFF

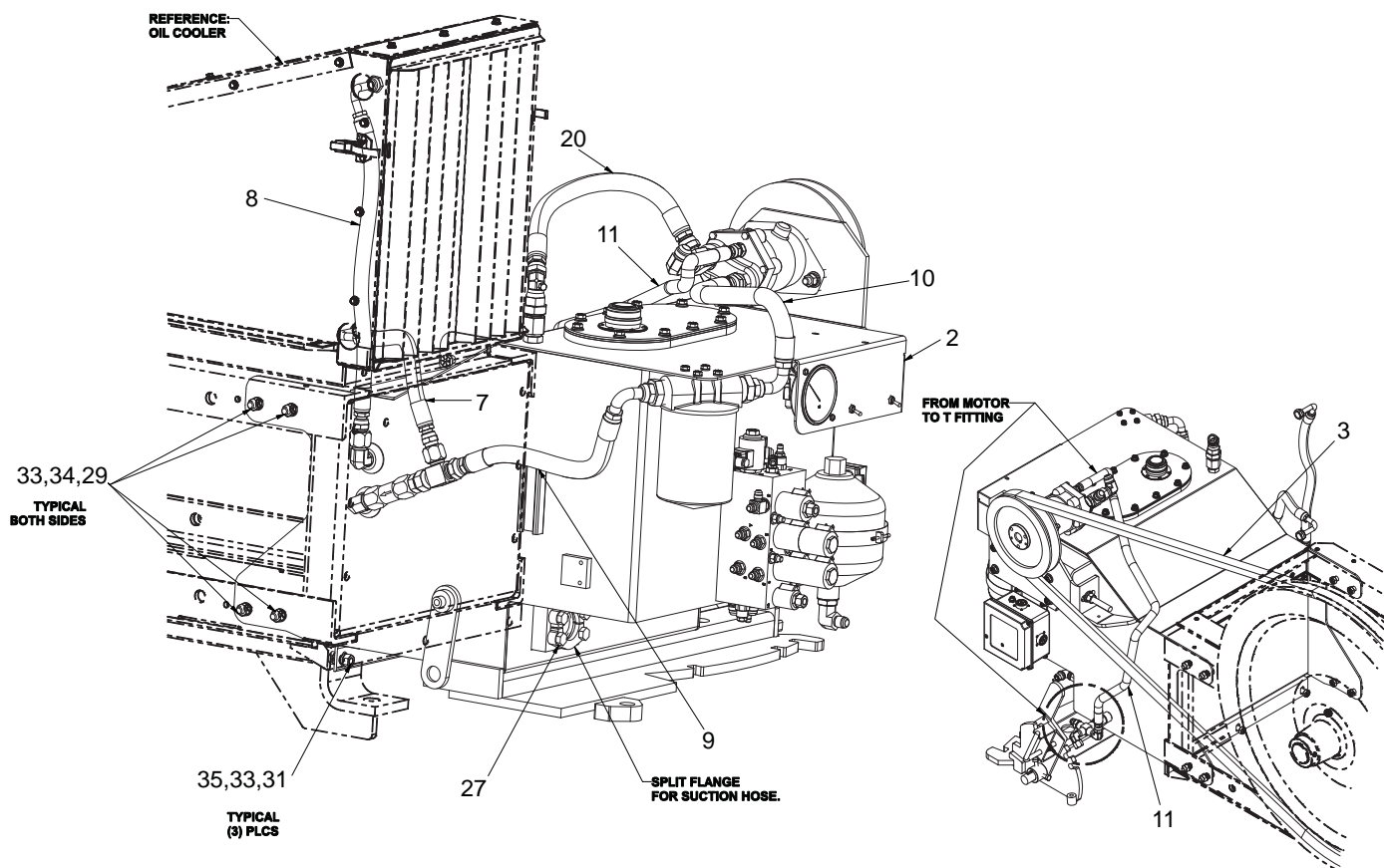
REF NO.	PART NO.	DESCRIPTION	QTY. USED
1	CLH0204230	BELL HOUSING	1
2	CLH0205358	NAME PLATE	1
2b	252527	PLATE, COVER	1
3	CLH0206092	BOLT	2
4	CLH0207954	GREASE FITTING	2
5	CLH0308369	SHIFTING LEVER	1
6	CLH0307569	MAIN BEARINGS	2
7	CLH0204536	WOODRUFF KEY	2
8	CLH0230909	DRIVE SHAFT	1
9	CLH0204487	OUTPUT KEY	1
10	CLH0204485	CLUTCH KEY	1
11	CLH0308371	YOKE SUB ASSEMBLY	1
12	CLH0205368	ADJUST LINK	1
13	CLH0207227	LOCKWASHER	1
14	CLH0203061	LOCK BOLT	1
15	CLH0204746	NUT	1
16	CLH0207445	PILOT BEARING	1
17	CLH0205717	RELEASE SLEEVE -V465 CLUTCH	1
18	CLH0269854	GREASE FITTING	1
19	CLH0260843	GREASE FITTING	1
20	CLH0207231	LOCKING WASHER	1

HYDRAULIC PTO PUMP, MOTOR AND HOSES



HYDRAULIC PTO PUMP, MOTOR AND HOSES

REF NO.	PART NO.	DESCRIPTION	QTY. USED	REF NO.	PART NO.	DESCRIPTION	QTY. USED
	902983 TANK INSTALLATION, HYDRAULIC			22	255605	. HOSE ASSEMBLY	1
1	901695	. HYDRAULIC SCHEMATIC	1	23	255817	. HOSE ASSEMBLY	1
2	901382	. TANK ASSEMBLY	1	24	214219	. FITTING,	1
3	F000007337	. BELT, DRIVE	1	25	14701	. FITTING,	1
4	PMP0077021	. HYDRAULIC PTO PUMP & GEARBOX	1	26	224298	. FITTING	1
5	BKT0006715	. BRACKET	1	27	11767	. KIT, SPLIT FLANGE	1
6	ARM0007155	. BAR, ARM	1		200604	. . WASHER	4
7	253621	. HOSE ASSEMBLY	1		203516	. . O-RING	1
8	HOS037371A	. HOSE ASSEMBLY	1		209537	. . CLAMP HALF	2
9	28928	. HOSE ASSEMBLY	1		222379	. . CAPSCREW	4
10	242826	. HOSE ASSEMBLY	1	28	221563W	. CAPSCREW	2
11	HOS0007722	. HOSE ASSEMBLY	1	29	200454W	. CAPSCREW	8
12	253618	. HOSE ASSEMBLY	1	30	221569W	. CAPSCREW	2
13	237745	. HOSE ASSEMBLY	1	31	Y18C-0820	. CAPSCREW	3
14	253622	. HOSE ASSEMBLY	1	32	R13811433	. HARD WASHER	4
15	253425	. HOSE ASSEMBLY	2	33	R13812516	. LOCKWASHER	13
16	245958	. HOSE ASSEMBLY	1	34	221711W	. HEX NUT	10
17	253423	. HOSE ASSEMBLY	1	35	NHF0005000	. HEX NUT	3
18	253432	. HOSE ASSEMBLY	1	36	CPL0080104	. COUPLER, MALE	2
19	233464	. HOSE ASSEMBLY	1	37	209164	. FITTING	1
20	HOS0006915	. HOSE ASSEMBLY	1	38	223003	. FITTING	1
21	233143	. HOSE ASSEMBLY	1				



HYDRAULIC PTO TANK

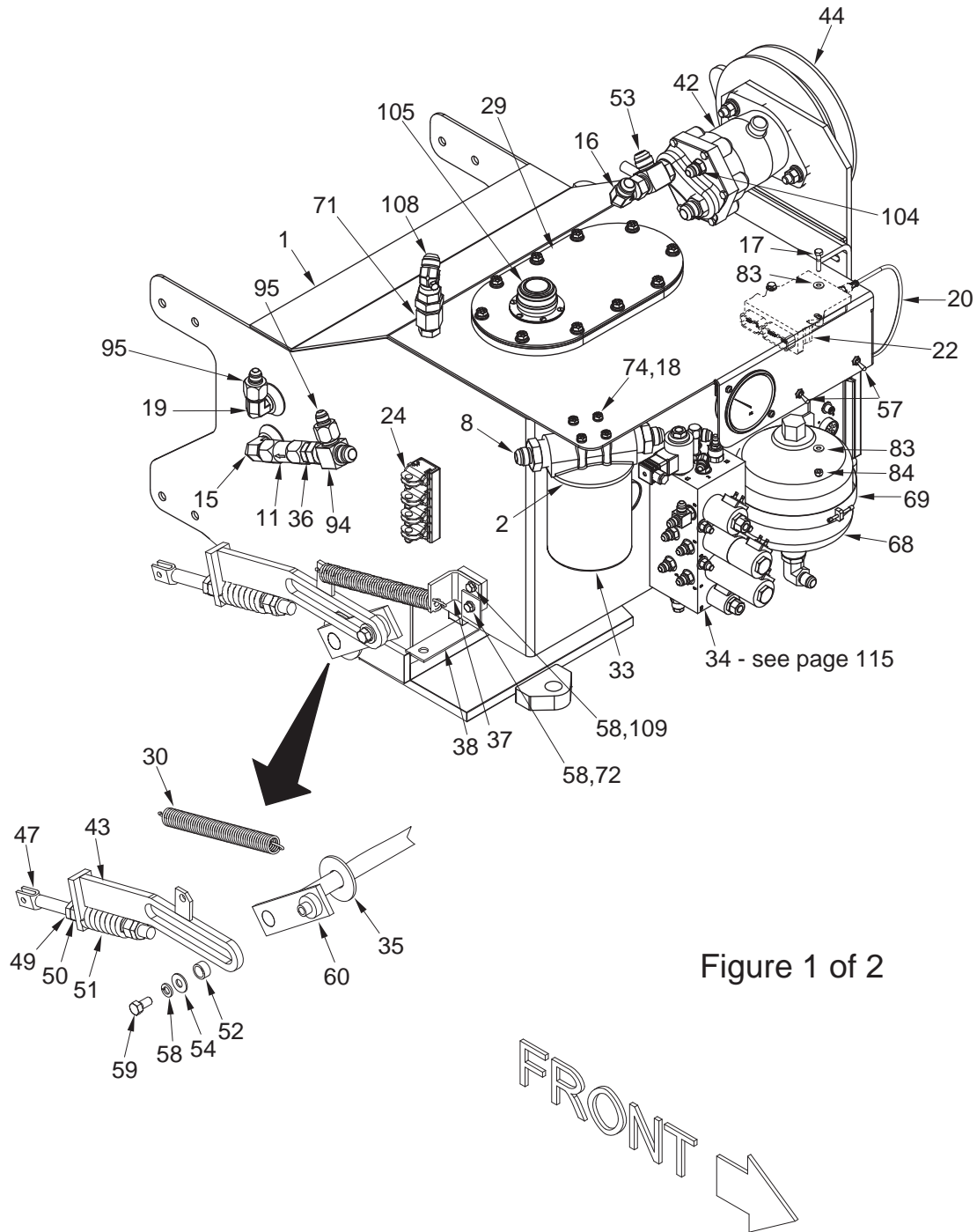


Figure 1 of 2

HYDRAULIC PTO TANK

REF NO.	PART NO.	DESCRIPTION	QTY. USED	REF NO.	PART NO.	DESCRIPTION	QTY. USED
1	901383	TANK WELDMENT, HYDRAULIC 41 GAL	1	53	206322	FITTING	1
2	FIL0120000	HEAD, FILTER	1	54	239519	WASHER, FLAT; 1/2	1
3	209901	FITTING	2	55	209215	FITTING	1
4	R14337	STRAINER, SUCTION	1	56	GAG0000001	GAUGE, TENSION CONTROLLED	1
5	209508	FITTING	1	57	229289	TOGGLE SWITCH	2
6	PPE7500600	NIPPLE, PIPE	1	58	234665	WASHER, LOCK; 1/2	1
8	19071	FITTING	2	59	221560W	CAPSCREW; 1/2 NC X 1 GR8	1
9	PPE0075900	MALE ELBOW 3/4 90* STD BLK	1	60	PLF0026952	LEVER WELDMENT	1
10	PPE1000500	NIPPLE, PIPE	1	61	F000007539	LEVER WELDMENT	1
11	VLV0075005	5 LB CHECK VLV BRUNING ONLY	1	62	F000008247	WASHER; 1-3/16" ID X 3 OD	1
12	903477	CHECK VALVE-F/HYDRAULIC PTO	1	63	F000007541	COMPRESSION SPRING	1
13	VLV0000001	RELIEF VALVE	1	64	F000007540	PIN, ADJ	1
15	218970	FITTING	1	65	48688	KEY	1
16	209166	FITTING	1	66	00103385	COTTER PIN	1
17	18466W	CAPSCREW; 1/4 NC X 1 1/4 GR5 HX	2	67	SQS3751250	SET SCR; 3/8 NC X 1 1/4 SQ HD	2
18	R13812513	WASHER, LOCK; 5/16	4	68	902474	ACCUMULATOR	1
19	209417	FITTING	1	69	CLP2110692	MOUNT CLAMP F/ HYD ACCUMULATOR	1
20	253215	CABLE, CAN BUS	1	70	903141	JUNCTION BOX ASSEMBLY	1
21	4193359	FITTING	1	71	214179	FITTING	1
22	2305473W	DVC10 CONTROL MODULE	1	72	050X017C8	CAP SCREW 1/2X1 3/4NC PLN GR8	1
	903089	DVC10 CONTROL MOD W/ PROGRAM		73	162572W	CAPSCREW; 3/8 UNC X 3/4 HX HD	10
	FOR SERIAL NUMBERS ASC-385-073, ASC-380-011 TO PRESENT			74	R13811014	CAPSCREW; 5/16 UNC X 1 HX HD	4
	903101	DVC10 CONTROL MOD W/ PROGRAM		75	R13806986	WASHER, FLAT; 5/8	2
	FOR SERIAL NUMBERS PRECEDING ASC-0385-073 AND ASC-0380-011			76	R13802341	MACH SCREW; 10-32 X 1 SOC HD	2
23	901445	PLATE, MOUNTING	1	77	R13812544	NUT, HEX; 10-32 NF	2
24	231252	CLAMP	1	78	ELC0000334	TEMP SENDING UNIT-1592/HYD TANK	1
25	901673	PLATE, SPACER	2	79	223427	WASHER, FLAT; 3/8	13
26	901681	ROD	1	80	234135	WASHER, LOCK; 3/8	10
27	PPE0000750	STD BLK PIPE NIPPLE 3/4	1	81	223428	WASHER, FLAT; 5/16	2
28	GAG0064051	GAUGE, SIGHT LEVEL	1	82	R13811190	NUT, LOCK; 5/16 NC GR8	2
29	901747	PLATE, COVER	1	83	R13812213	WASHER, FLAT; 1/4	4
30	F000001517	TRIP SPRING	1	84	235620	NUT, ESNA; 1/4 NC GR8	4
31	R13811195	NUT, LOCK; 5/8 NC GR8	1	85	237567	NUT, ESNA; 3/8 NC GR8	3
32	901697	GASKET	1	86	209161	FITTING	1
33	FIL0023018	ELEMENT, FILTER	1	87	209498	FITTING, CR	1
34	MNF037316E	MANIFOLD ASSEMBLY	1	88	209413	FITTING	2
35	F000008247	WASHER; 1-3/16" ID X 3	1	89	209757	FITTING	1
36	209759	FITTING	1	90	215515	FITTING	1
37	ANC0009635	PLATE, ANCHOR	1	91	HYD3509030	FITTING	1
38	F000006577	WORKLIGHT BRACKET	1	92	217494	FITTING	1
39	221574W	CAPSCREW; 1/2 UNC X 2 1/4 HX HD	4	93	28561	FITTING	1
40	Y09G-0828	CAPSCREW; 1/2 UNC X 1 3/4 SOC HD	2	94	209087	FITTING	1
41	R13812516	WASHER, LOCK; 1/2	6	95	210767	FITTING	2
42	MTR0074418	HYDRAULIC MOTOR ASSY F/540 PTO	1	96	209427	FITTING	1
43	LNK0009636	CABLE LINK	1	106	223694	WASHER, LOCK; 5/8	2
44	PUL0006630	PULLEY F/HYD PTO-540 RPM 10"	1	107	229952	NUT, HEX; 5/8 UNC,	2
45	BSH1001125	MALLEABLE TAPER LOCK BSH 1-1/8	1	108	HYD0025371	HYDRAULIC 45 DEGREE ELL	1
46	221711W	NUT, HEX; 1/2 UNC	6	109	050X010C8	CAPSCREW; 1/2 NC X 1 GR8	1
47	ROD0016321	ROD, ADJUST	1				
48	239519	WASHER, FLAT; 1/2	10				
49	247008	NUT, JAM; 3/4 NC GR8	2				
50	221716W	NUT, HEX; 3/4 NC GR8	2				
51	F000007566	CUSHION SPRING F/LIFT CABLE	1				
52	BRG0000128	INNER RACE BEARING	1				

HYDRAULIC PTO TANK

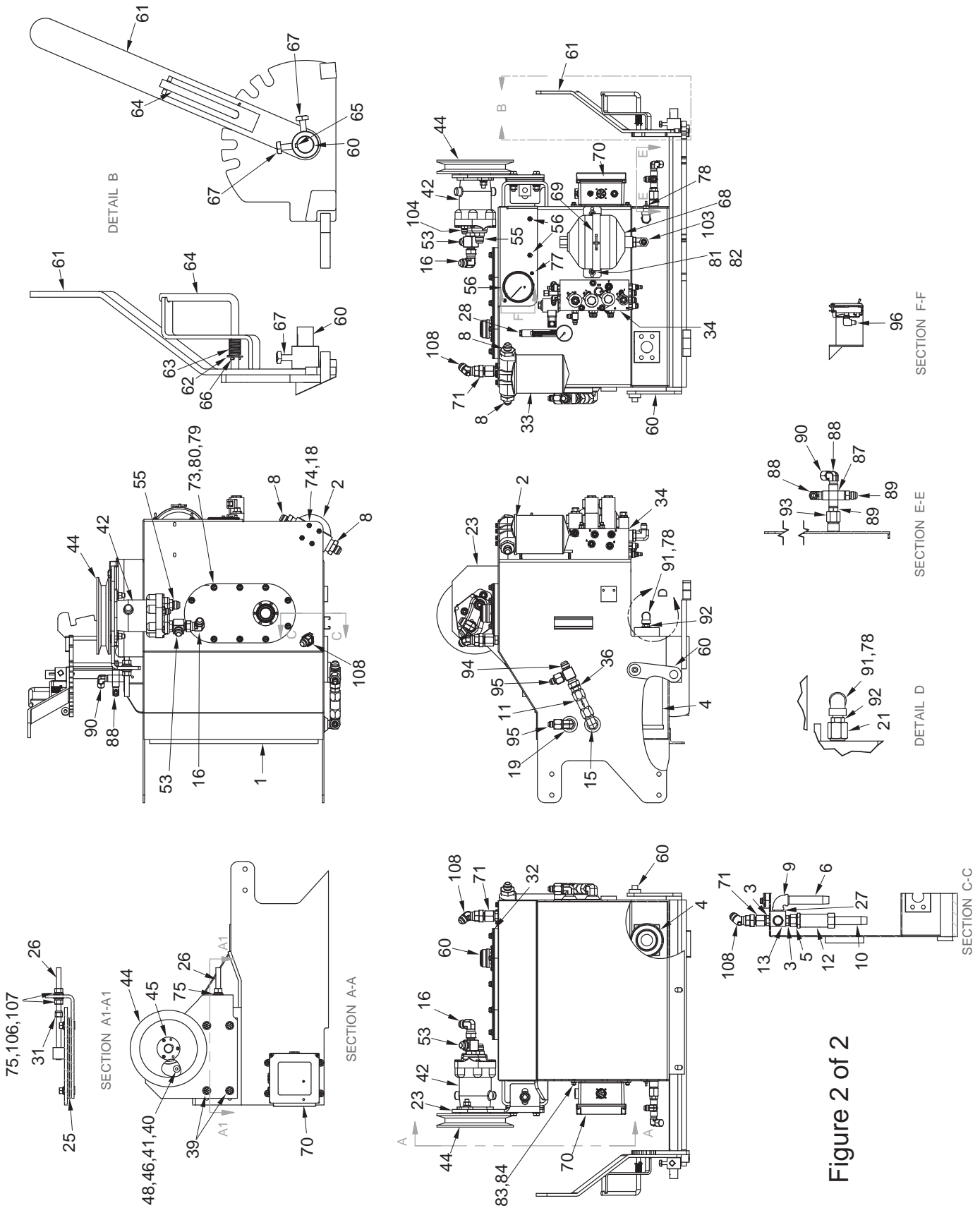
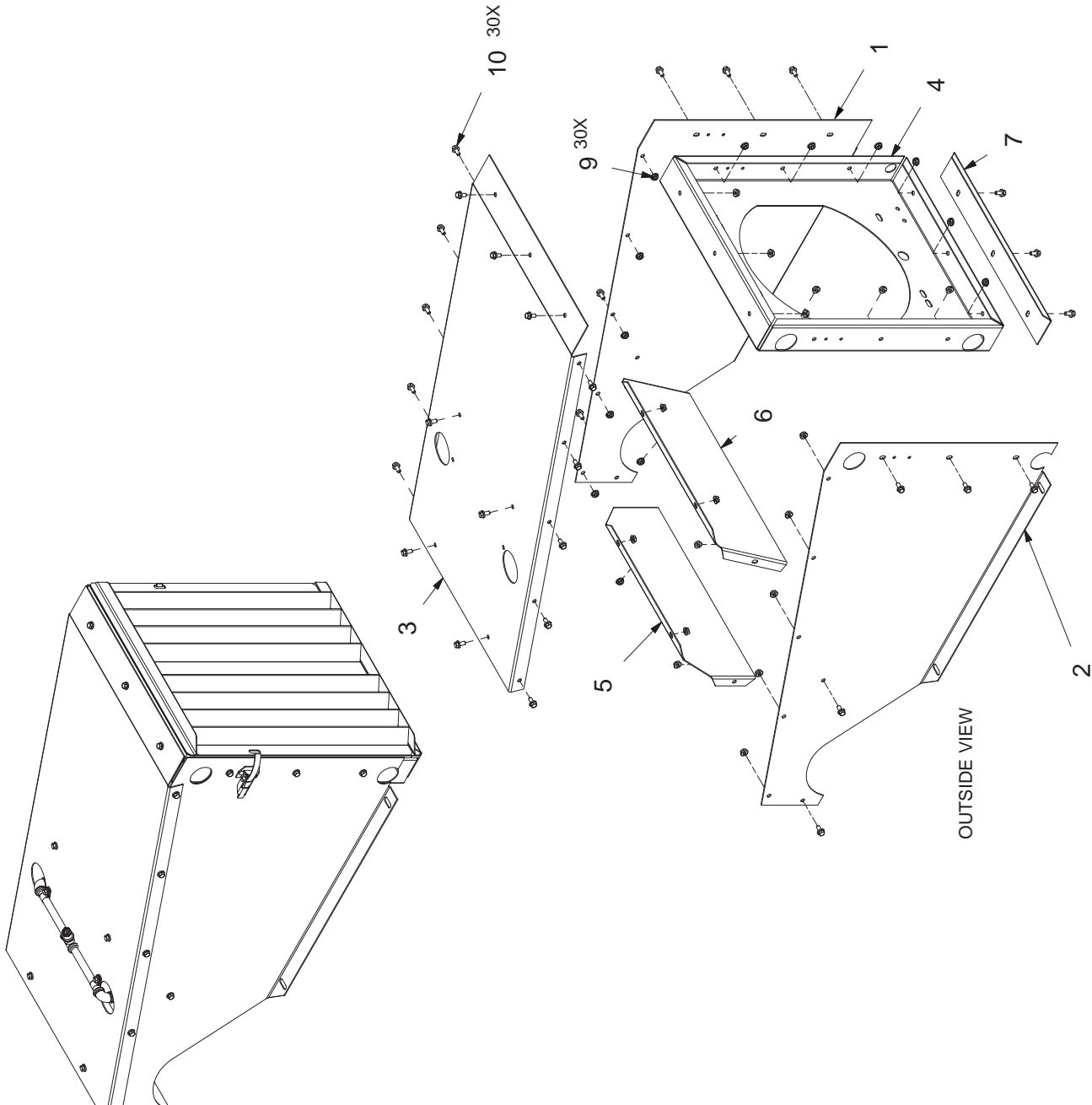


Figure 2 of 2

INTENTIONALLY LEFT BLANK

HYDRAULIC OIL COOLER

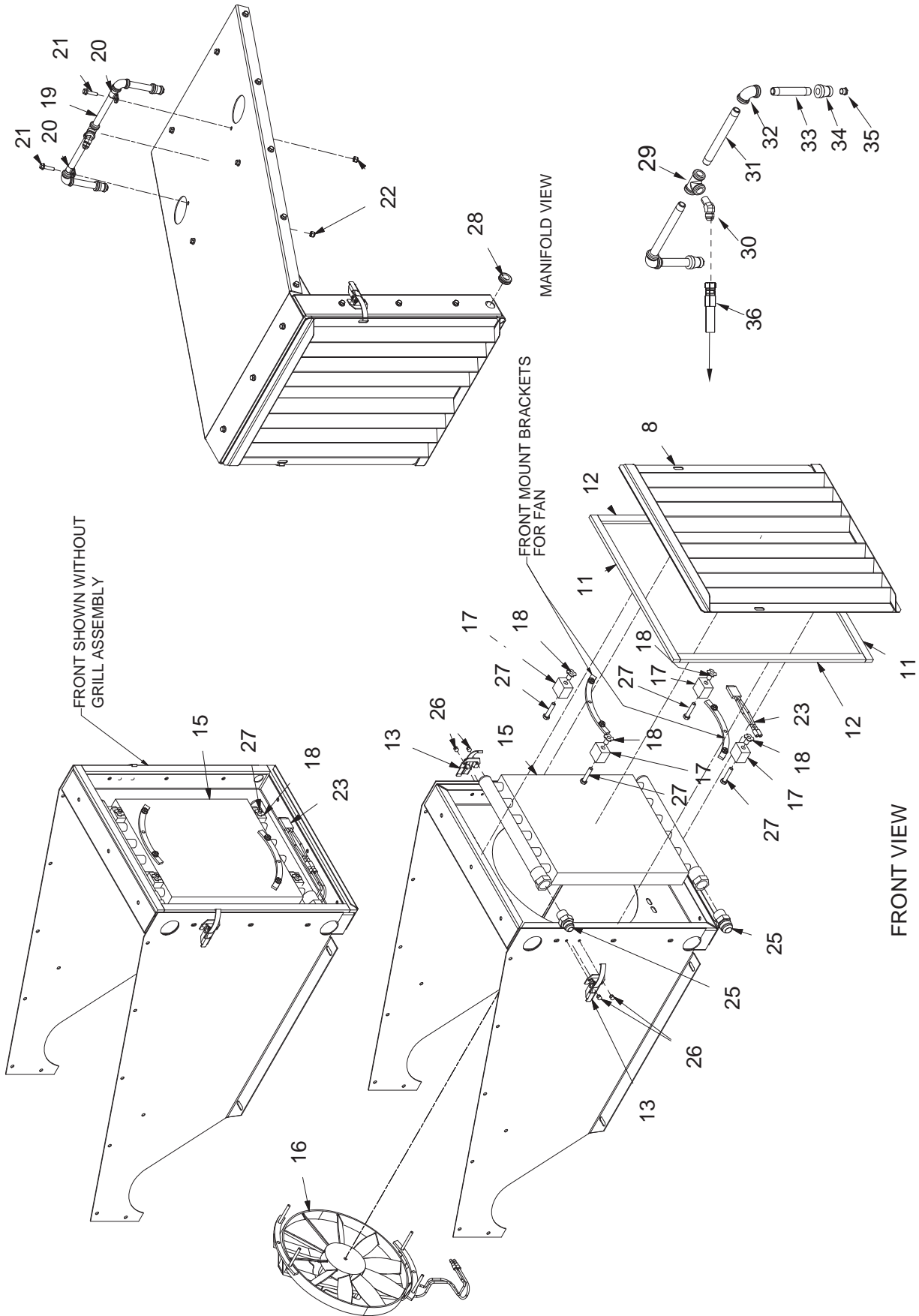


HYDRAULIC OIL COOLER

undecided

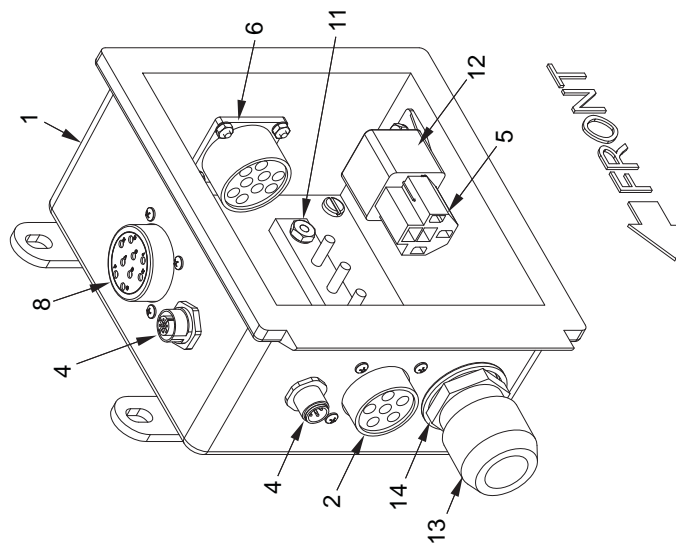
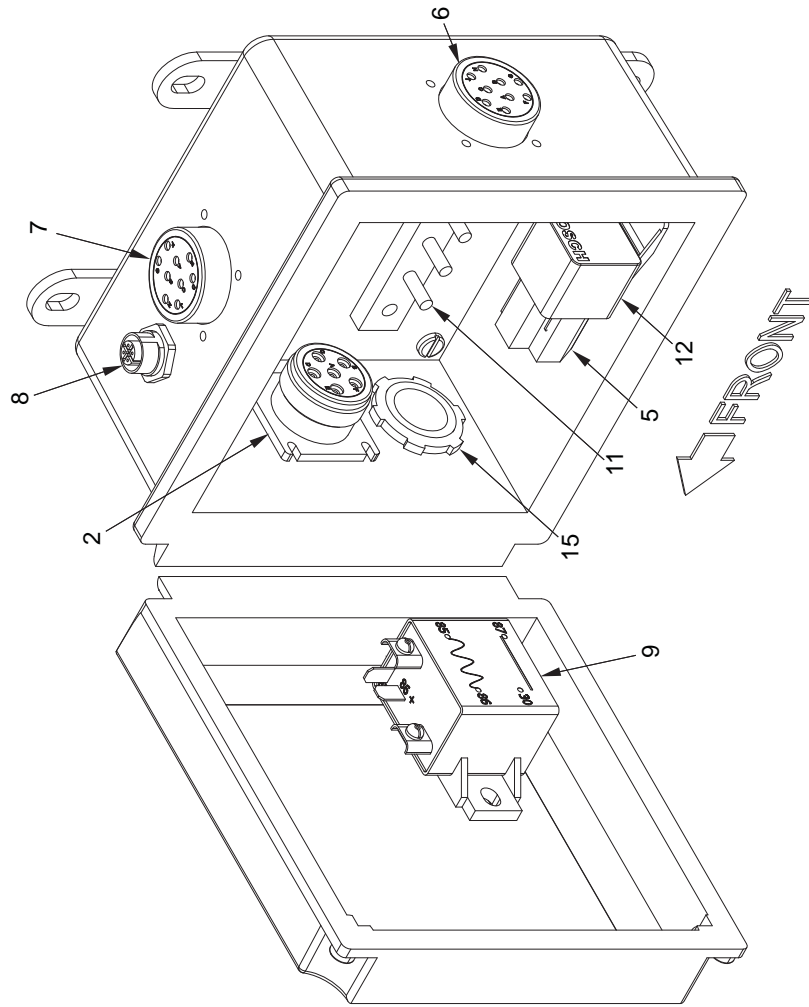
REF NO.	PART NO.	DESCRIPTION	QTY. USED	REF NO.	PART NO.	DESCRIPTION	QTY. USED
	SHR037304E	BULLGEAR SHD/OIL COOLER SHR ASY		17	CLR0002094	. MOUNTING BLOCK-OIL COOLER	4
1	SHR036954D	. PLATE, LH SHROUD	1	18	CLR0002353	. TEE NUT-OIL COOLER MOUNT	4
2	903280	. PLATE, RH SHROUD	1	19	901573	. MANIFOLD ASSEMBLY	1
	FD00023473	. . DECAL;B; CAUTION..... (9 1/4 X 10)	1	20	209578	. CLAMP	2
3	SHR037306D	. TOP, OIL COOLER SHROUD	1	21	SMS0000305	. BOLT, WHIZ; 1/4 NC X 1	2
4	SHR037305E	. PLATE, SHROUD	1	22	R13811189	. NUT, LOCK; 1/4 NC GR8	2
5	SHR037307B	. BACK,OIL COOLER SHROUD	1	23	903317	. WIRE HARNESS	1
6	SHR037308B	. BAFFLE,OIL COOLER SHROUD	1	25	23834	. FITTING	2
7	GRL037309B	. LOWER GRILL SUPPORT	1	26	RIV0000606	. RIVET	4
8	GRL037310E	. GRILL WELDMENT,OIL COOLER	1	27	R13811016	. CAPSCREW; 5/16 UNC X 1 1/2 HX HD	4
9	09416918	. NUT, SERRATED; 1/4 NC GR5	30	28	256328	. GROMMET	1
10	SMS0000173	. BOLT, WHIZ; 1/4 NC X 1/2	30	29	28475	. . FITTING; TE	1
11	WEA037324A	. WEATHER STRIP .31 X .38 X 17.75	2	30	209794	. . FITTING; FF	1
12	WEA037325A	. WEATHER STRIP .31 X .38 X 19.75	2	31	PPE2505000	. . BLACK PIPE NIPPLE 1/4 X 5 STD	2
13	CLP0000130	. HOOK-TYPE FASTENER	2	32	229443	. . FITTING; EL	2
15	F000006263	. HEAT EXCHANGER	1	33	00121209	. . STD BLK PIPE NIPPLE 1/4 X 3"	2
16	901524	. FAN	1	34	PPE0000001	. . FITTING; ST	2
	FAN0000010	. . ELECTRA FAN-FLEX-O-LITE 12VOLT	1	35	LUB0323060	. . PRESSURE FITTING-VALVE 1/8"	2
	TERSSP561V	. . PLUG, TERMINAL	1	36	HOS0034225	HOSE- BULL GEAR LUBER TANK	1

HYDRAULIC OIL COOLER



INTENTIONALLY LEFT BLANK

JUNCTION BOX ASSEMBLY HYDRO BALER



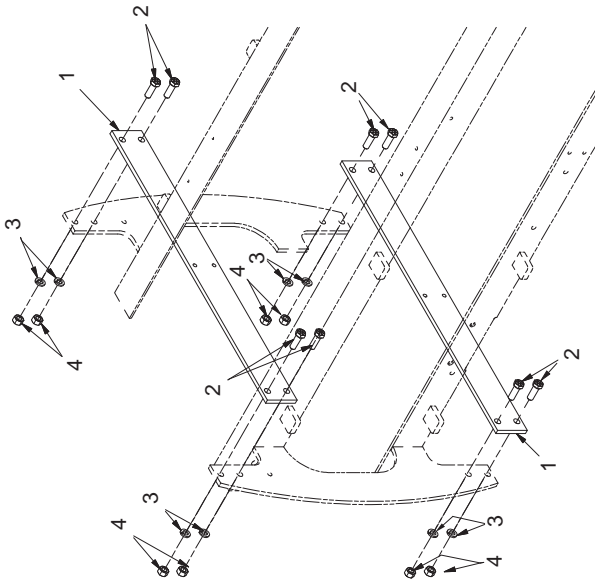
JUNCTION BOX ASSEMBLY HYDRO


REF NO.	PART NO.	DESCRIPTION	QTY. USED
	*903141	JUNCTION BOX ASSY	
1	903143	. BOX	1
2	903139	. WIRE HARNESS	1
3	903117	. CABLE ASSEMBLY	1
4	901427	. WIRE HARNESS	1
5	901426	. WIRE HARNESS	1
6	901425	. WIRE HARNESS	1
7	901423	. WIRE HARNESS	1
8	900419	. WIRE HARNESS	1
9	252619	. RELAY	1
11	03-159	. TERMINAL BLOCK	1
12	R4510197	. RELAY	1
13	230839	. CONNECTOR, CORD	1
14	231044	. RING, SEAL	1
15	NMS0000109	. CONDUIT LOCKNUT 3/4	1
16	243525	. CAPSCREW; 10-32 X 3/4 BTN HD	5
17	220044	. NUT, HEX; 10-32 NF	5
18	233927	. CAPSCREW; 4-40 NC X 5/8	12
19	NCH0000440	. NUT, HEX; 4-40 NC	12
20	WIS0000400	. WASHER, LOCK; #4 INT TOOTH	12
21	WIS0001000	. WASHER, LOCK; #10 INT TOOTH	5

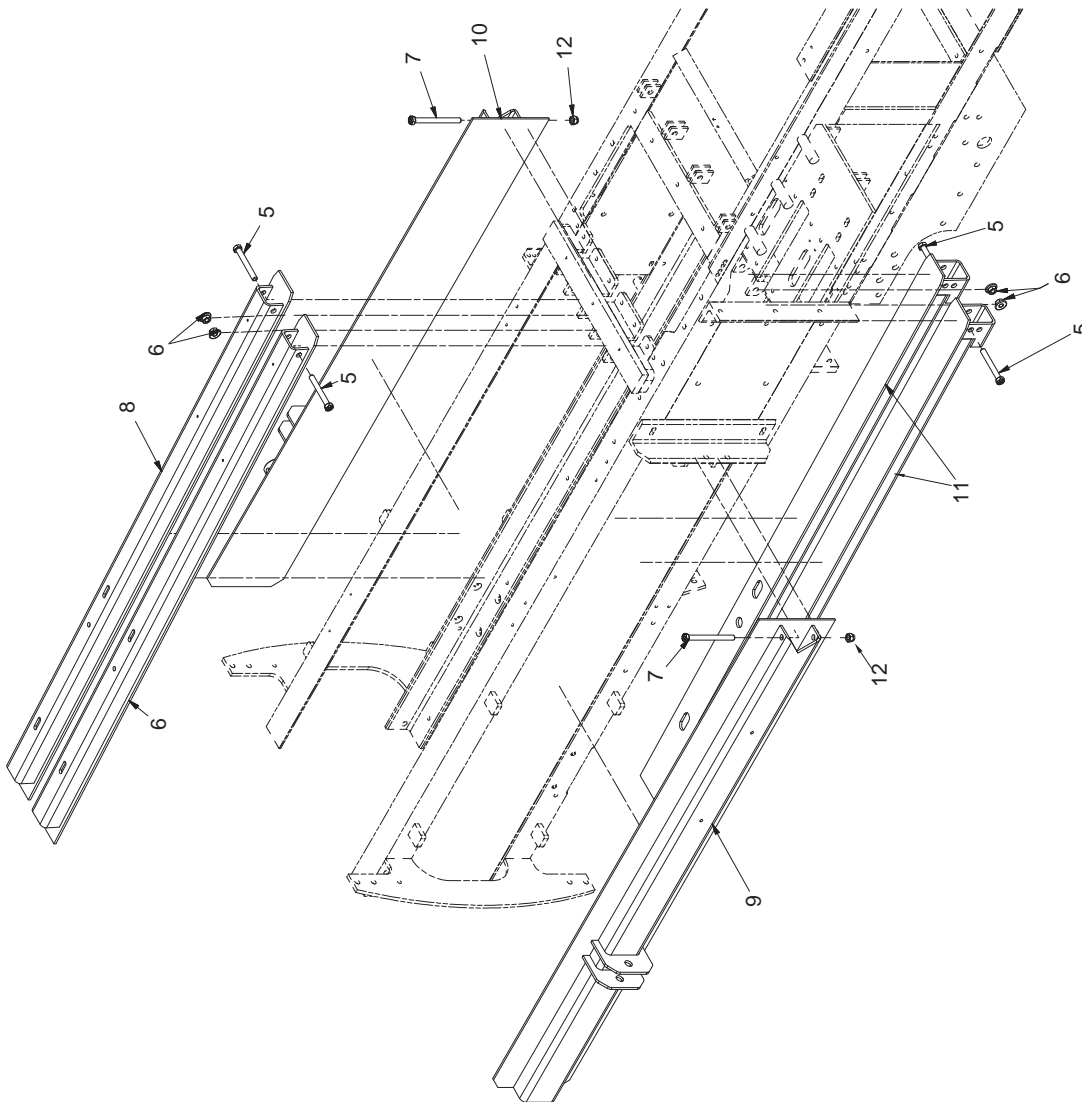
*903141 REPLACES 901407
 STARTING SERIAL NUMBERS:
 ASC-380-023

901407 JUNCTION BOX ASSY
 LAST USED ON:
 ASC-0385-076
 ASC-0380-017

TENSIONING AND REAR MOUNTS



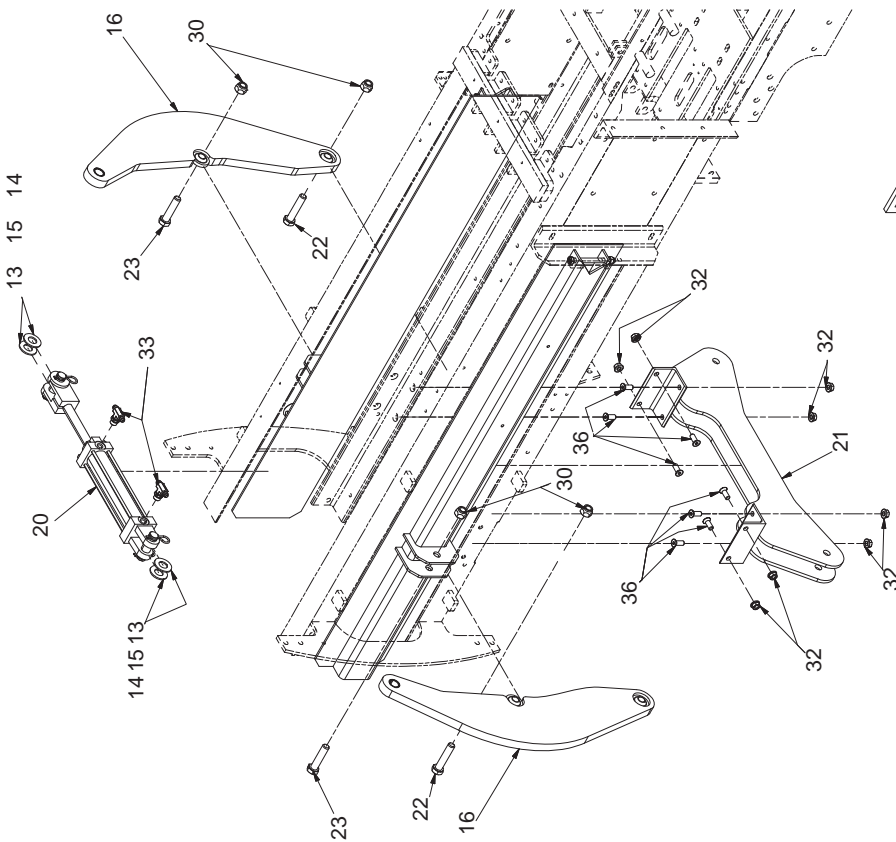
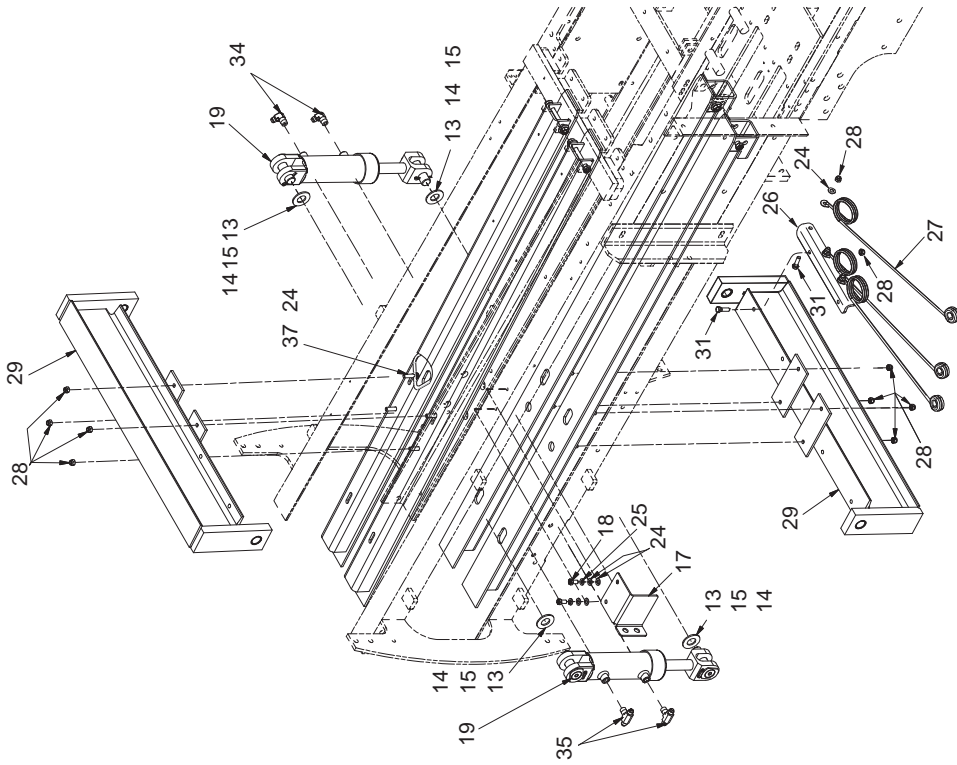
FRONT 




TENSIONING AND REAR MOUNTS

REF NO.	PART NO.	DESCRIPTION	QTY. USED
1	PLT0035077	BAR	2
2	200454W	CAPSCREW; 1/2 UNC X 1 1/2 HX HD	18
3	234665	WASHER, LOCK; 1/2	8
4	221711W	NUT, HEX; 1/2	8
5	R13811085	CAPSCREW; 1/2 UNC X 4 HX HD	4
6	R13804125	NUT, LOCK; 1/2 NC GR8	4
7	R13801857	CAPSCREW; 1/2 UNC X 5 1/2 HX HD	2
8	TNS0022284	TENSION RAIL WELDMENT, TOP	2
9	TNS036527D	TENSION BUSHING	1
10	TNS036528D	TENSION RAIL WELDMENT, LH	1
11	TNS0034362	RAIL WELDMENT, BTM TENSION	2
12	223587	NUT, ESNA	2
13	ZZ00000218	MACH BUSH	AR
14	ZZ00000217	MACHINE BUSHING 1" X 2" X 18 GA	AR
15	ZZ00000219	GA MACHINE BUSHING 1" X 2" X 14	AR
16	TNS035803B	HORIZ. TENSION RAIL SQUEEZE PLT	2
	BRG0005500	. BEARING "BALL JOINT"	4
	BSH00VG400	. BUSHING, TENSION	2
17	BKT037356B	BRACKET	2
18	162572W	CAPSCREW; 3/8 UNC X 3/4 HX HD	2
19	CYL0033749	VERTICAL TENSION CYLINDER	2
20	F000006519	HYDRAULIC CYLINDER 2" X 8"	1
21	YOK036534D	CHAMBER YOKE-REAR BOTTOM	1
22	221664W	CAPSCREW; 3/4 UNC X 3 1/2 HX HD	2
23	221662W	CAPSCREW; 3/4 UNC X 3 1/4 HX HD	2
24	R13802623	WASHER, FLAT; 3/8	20
25	234135	WASHER, LOCK; 3/8	2
26	902776	TWINE PULLER MOUNT	1
27	WLG0000006	KNOTTER TWINE PULLER SPRING	3
28	237567	NUT, ESNA; 3/8 NC GR8	2
29	TNS036531E	TENSION RAIL & BEAM ASSEMBLY	2
30	235461	NUT, ESNA; 3/4 NC GR8	2
31	233878	HEX HD CS 3/8-16 X 1-1/4 - PLATED	5
32	NMS0000252	WHIZ NUT NC 1/2 - PLATED	8
33	R14293	FITTING	2
34	209410	FITTING	2
35	23581	FITTING	2
36	Y09G-0820	CAPSCREW; 1/2 UNC X 1 1/4 HX SOC	8
37	Y17C-0624	CAPSCREW; 3/8 UNC X 1 1/2 HX HD	8

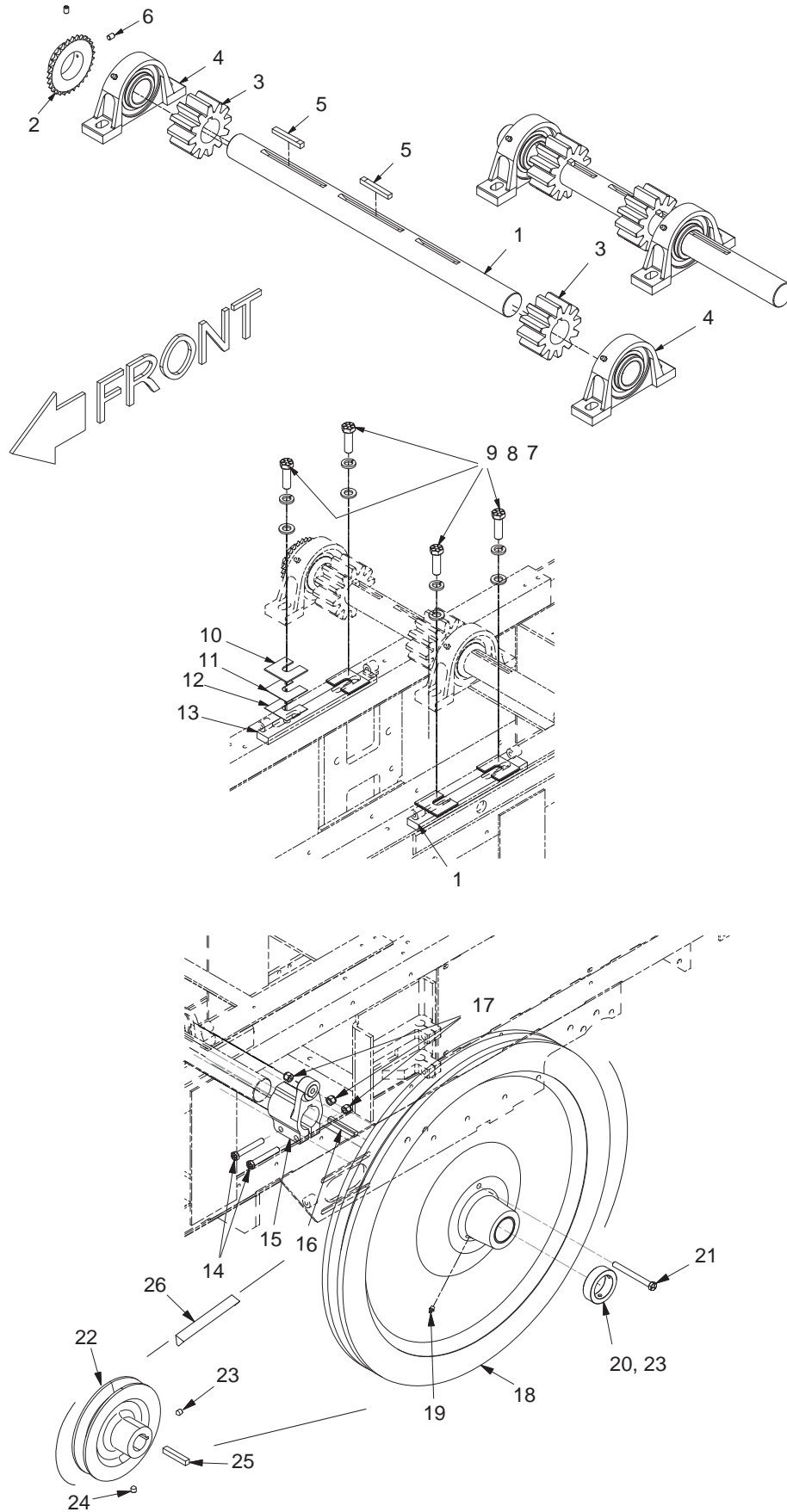
TENSIONING AND REAR MOUNTS CONTINUED



FRONT 

INTENTIONALLY LEFT BLANK

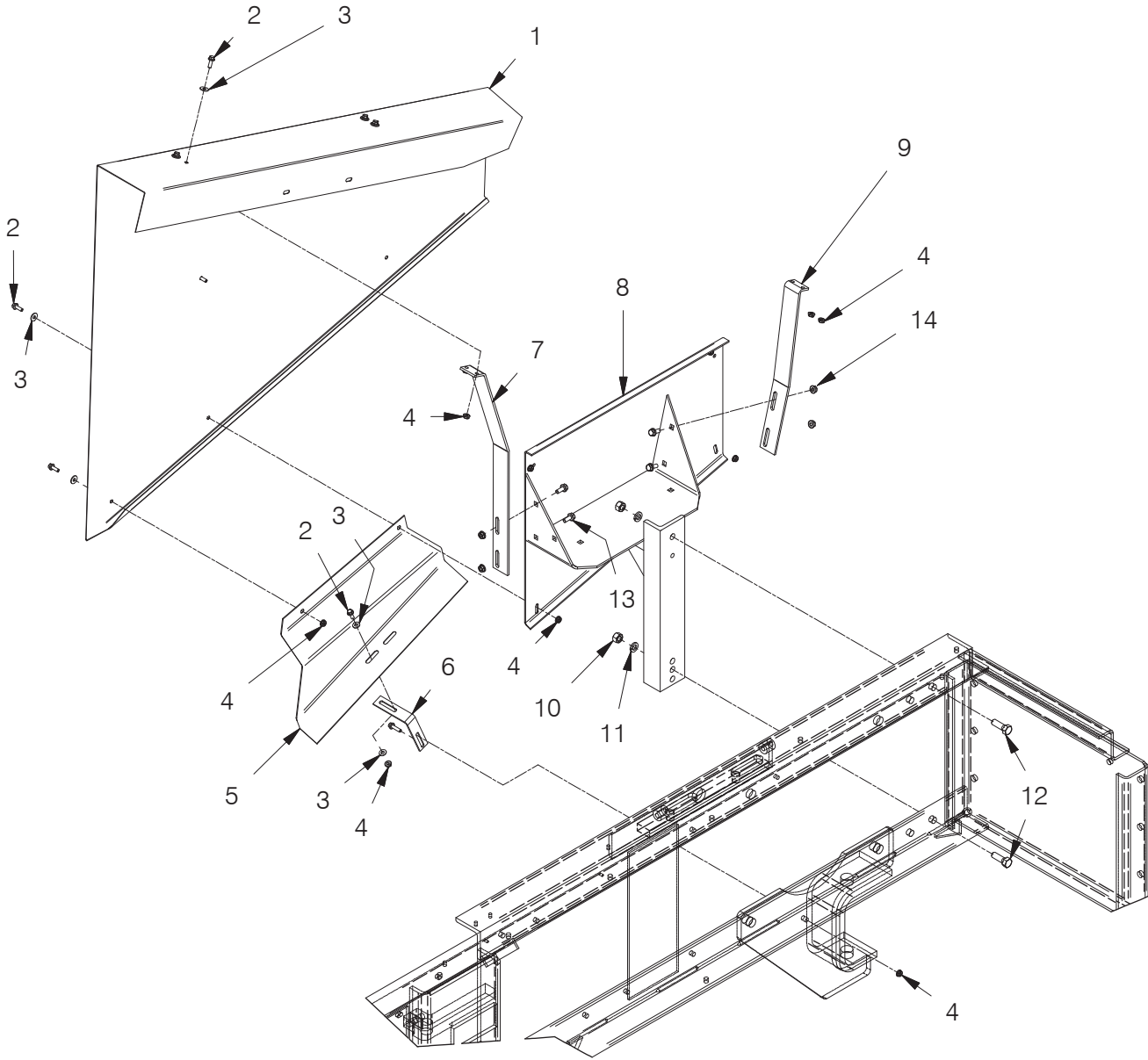
FLYWHEEL AND PINION SHAFT ASSEMBLY



FLYWHEEL AND PINION SHAFT ASSEMBLY

REF NO.	PART NO.	DESCRIPTION	QTY. USED	REF NO.	PART NO.	DESCRIPTION	QTY. USED
1	SHF0007132	SHAFT, PINION	1				
2	SPK0004030	PINION SHAFT SPROCKET 2-7/16"	1	16	F000000072	KEY,SHEAR HUB	1
3	GER0007128	PINION GEAR F/2-7/16" SHAFT	2	17	223587	NUT, ESNA; 1/2 NC GR8 ZC	3
4	BRG0076523	PINION BRG & HSNG COMP 2-7/16"	2	18	FLW0007127	FLYWHEEL F/2-7/16" SHAFT	1
	. BRG0000020	BRG INSERT			. BSH0007127	FLYWHEEL BUSHING-PAIR 2-7/16"	1
5	F000007488	KEY;TAPERED	2	19	00191758	HEX ZERK 1/8 NPT STR 7/16	1
6	STS3750500	SOCKET SET SCREW	2	20	ZZ00002008	SET COLLAR W/SET SCREW 2-7/16"	2
7	R13811457	WASHER, FLAT; 3/4	4	21	SCC0050016	CAPSCREW; 1/2-13 X 5 GR5	1
8	R13812518	WASHER, LOCK; 3/4	4		SCC0000516	HEX HD CS NC 1/2 X 5 W/NUT	
9	221657W	CAPSCREW; 3/4 UNC X 2 1/2 HX HD	4	22	F000007699	MOTOR PULLY 10" OD (ENG BALER)	1
10	SHM0800402	10 GA. PINION SHIM F/2-7/16	A/R	23	STS5000500	SOCKET SET SCREW 1/2" X 1/2"	3
11	SHM0800401	16 GA. PINION SHIM F/2-7/16	A/R	24	STS5000750	SOCKET SET SCREW 1/2" X 3/4"	1
12	SHM0800400	20 GA. PINION SHIM F/2-7/16	A/R	25	ZZ00000446	KEY 1/2" X 1/2" X 3"	1
13	BAR0007975	BAR,ANCHOR	2	26	F000007000	BELT, DRIVE; D165	1
14	R13811083	CAPSCREW; 1/2 UNC X 3 1/2 HX HD	2	26	F000007337	DRIVE BELT-D162 -HYD PTO	1
15	HUB0007157	SHEAR HUB ASSY	1				
	. F000001132	SHEAR BUSHING-FLYWHEEL HUB	1				

FLYWHEEL BELT SHIELD ENGINE BALER

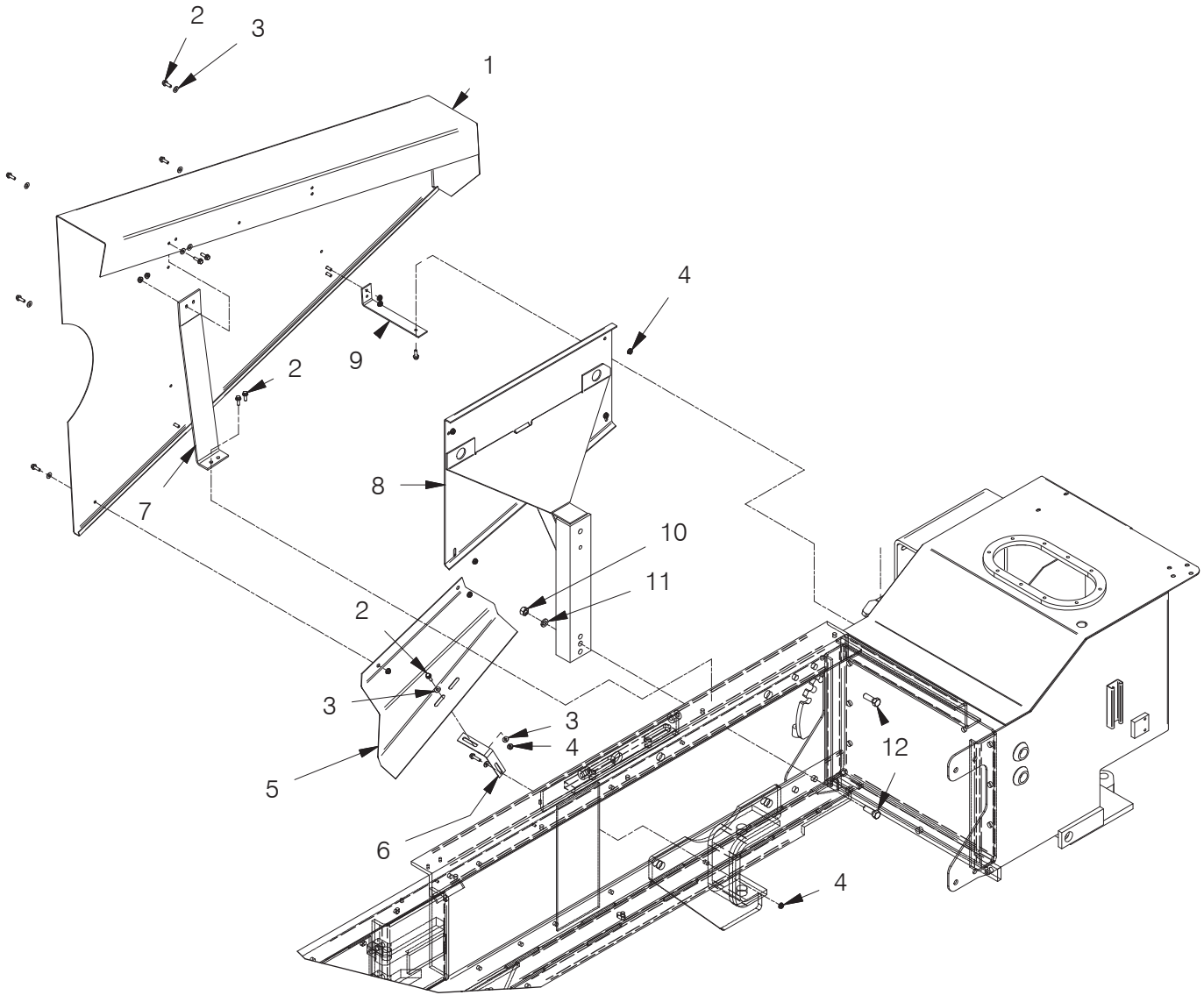


FRONT 

FLYWHEEL BELT SHIELD ENGINE BALER

REF NO.	PART NO.	DESCRIPTION	QTY. USED
1	903175	DRIVE BELT SHIELD ENG	1
	FD00007114	. DECAL, FREEMAN	1
	FD00023581	. DECAL, CAUTION SHUT OFF MOTOR	1
	FD00023473	. DECAL, CAUTION	1
2	399741W	SCREW, SER FLG 1/4-20 UNC X .75,	9
3	R13811443	WASHER, FLAT; 1/4 (.327 ID) ZY	9
4	09416918	NUT, SERRATED; 1/4 NC GR5	9
5	903281	SHIELD EXT & DECAL	1
	FD00023572	. DECAL;A; CAUTION	1
6	BKT0011131	BRACKET-HYD & ENG	1
7	BRC0025469	REAR BELT SHIELD BRACE	1
8	BKT0017814	BRACKET BELT SHIELD -HYD	1
9	BRC0025469	FRONT BELT SHIELD BRACE	1
10	234921	HEX NUT 1/2-13 - PLATED	2
11	234665	LOCKWASHER - PLATED 1/2" MEDIUM	2
12	050X015C8	CAPSCREW; 1/2 X 1 1/2 NC PLN GR8	2
13	SMS0000184	BOLT, WHIZ; 5/16 NC X 3/4	4
14	00273802	NUT, SERRATED; 5/16 NC GR5	4

FLYWHEEL BELT SHIELD HYDRO BALER

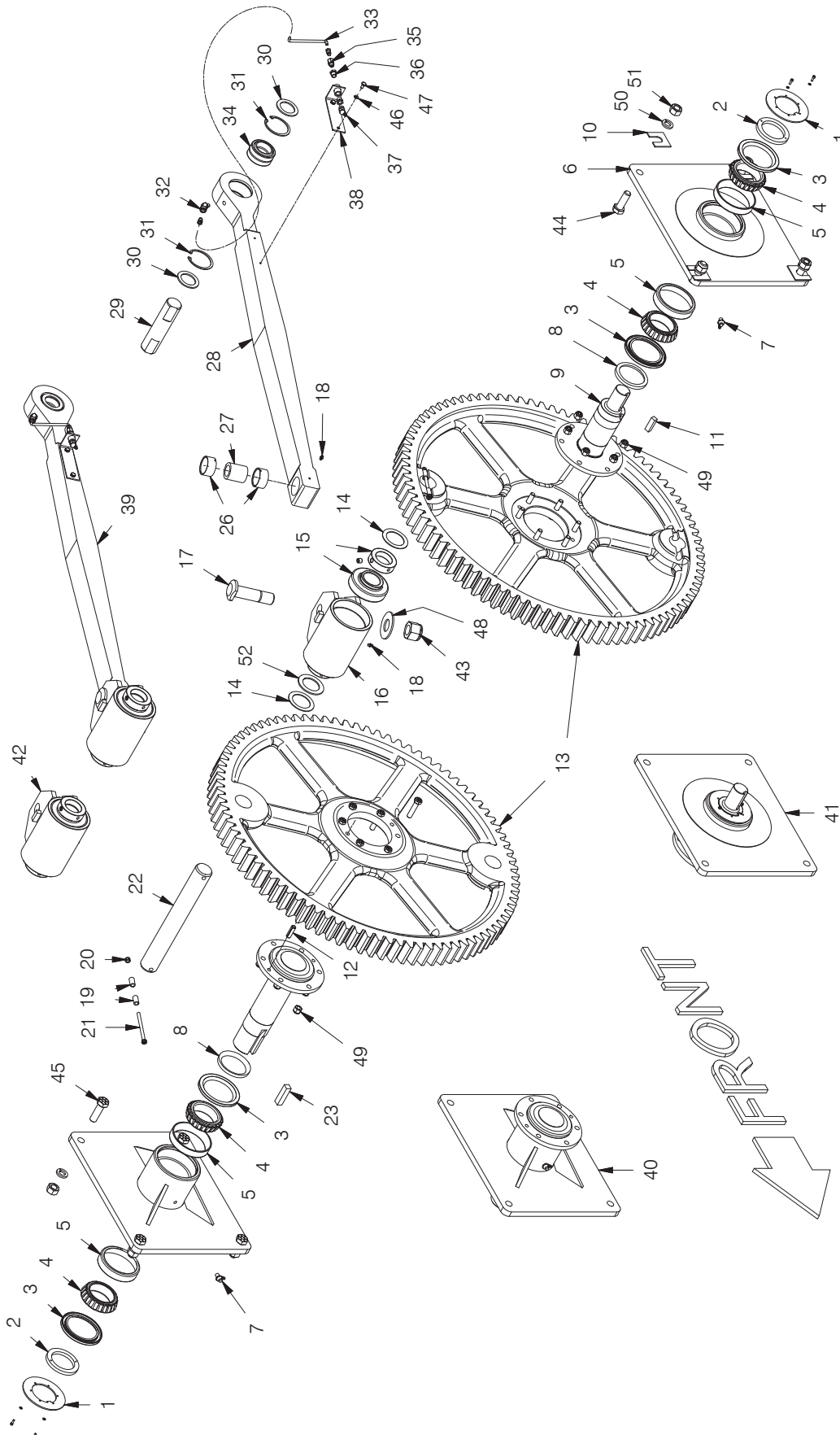


FRONT 

FLYWHEEL BELT SHIELD HYDRO BALER

REF NO.	PART NO.	DESCRIPTION	QTY. USED
1	903276	DRIVE BELT SHIELD HYD	1
	FD00007114	. DECAL, FREEMAN	1
	FD00023581	. DECAL, CAUTION SHUT OFF MOTOR	1
	FD00023473	. DECAL, CAUTION	1
2	399741W	SCREW, SER FLG 1/4-20 UNC X .75,	9
3	R13811443	WASHER, FLAT; 1/4 (.327 ID) ZY	9
4	09416918	NUT, SERRATED; 1/4 NC GR5	9
5	SHD0011063	BELT SHIELD EXTENSION-HYD & ENG	1
6	BKT0011131	BRACKET-HYD & ENG	1
7	902440	BRACKET-HYD	1
8	901725	BRACKET BELT SHIELD -HYD	1
9	902403	BRACKET SUPPORT-HYD	1
10	234921	HEX NUT 1/2-13 - PLATED	2
11	234665	LOCKWASHER 1/2" MEDIUM PLATED	2
12	050X015C8	CAPSCREW; 1/2 X 1 1/2NC PLN GR8	2

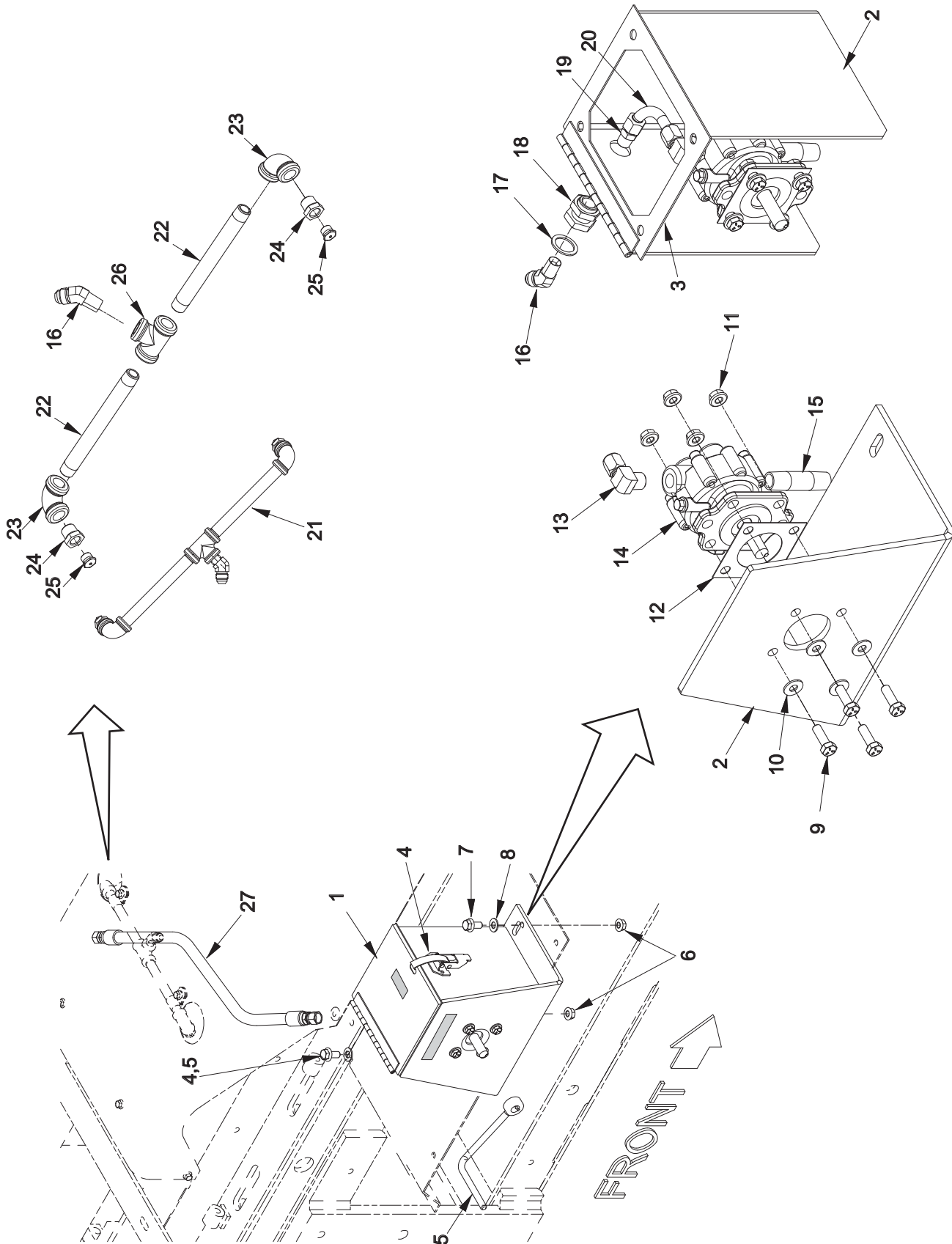
BULLGEAR ASSEMBLY



BULLGEAR ASSEMBLY

REF NO.	PART NO.	DESCRIPTION	QTY. USED	REF NO.	PART NO.	DESCRIPTION	QTY. USED
1	F000007038	LOCKING WASHER	2	25	PLT0032549	SIDE PLATE-RH-W/BRG CUPS 14"CH	1
2	F000007037	SIDE PLATE BRG ADJUSTING NUT	2	26	F000008077	INNER RACE-CONN ROD SWIVEL END	2
3	F000007035	SEAL F/SIDE PLATE	4	27	F000008078	CONN ROD BUSHING-STEEL	1
4	F000007033	BEARING CONE F/SIDE PLATE	4	28	ROD0034342	PLUNGER CON-ROD -AFT/2/99 -1PC	1
5	F000007034	BEARING CUP F/SIDE PLATE	4	29	F000007914	PLUNGER PIN	1
6	PLT0016304	SIDE PLATE-LH-W/BRG CUPS 16" CH	1	30	ZZ00000200	MACHINE BUSHING 1-3/4" X 10GA	2
6	PLT0032546	SIDE PLATE-LH-W/BRG CUPS 15" CH	1	31	F000007917	INTERNAL SNAP RING	2
6	PLT0032548	SIDE PLATE-LH-W/BRG CUPS 14" CH	1	32	253694	FITTING; 45° (BRASS)	1
7	F000001661	FITTING-HYD SHUT OFF-1/8" NPT	2	33	F000007545	GREASE TUBE-1/4" X 7"	1
8	F000007036	SEAL RACE-BULL GEAR BEARING	2	34	R1574466	FRACTURE BEARING	1
9	F000007032	L.H. BULLGEAR MOUNTING SHAFT	1	35	F000000778	CONNECTOR FOR TUBE	1
10	SHM0163090	SHIM FOR 3/4 BOLT 16 GA	A/R	36	F000007418	STD BLK BUSHING 1/4" X 1/8"	2
10	SHM0163091	SHIM FOR 3/4 BOLT 20 GA	A/R	37	F000007651	ZERK 1/4" NPT 67-1/2° 9/16" HEX	1
10	SHM0163092	SHIM FOR 3/4 BOLT 10 GA	A/R	38	F000008263	BRACKET-GREASE TUBE CON ROD	1
10	SHM0163093	SHIM FOR 3/4 BOLT 28 GA	A/R	39	901960	CONNECTOR ROD KIT COMP	1
11	ZZ00000459	KEY 1/2 X 1/2 X 1-3/4	1	40	PLT0163070	RH SIDE PLATE ASSY 16" + CHAMBER	1
12	F000007239	ROLL PIN 3/8" X 1-1/2"	2	40	PLT0325470	RH SIDE PLATE ASSY 15" CHAMBER	1
13	F000007438	BULL GEAR-88 TOOTH	2	40	PLT0325490	RH SIDE PLATE ASSY 14" CHAMBER	1
14	ZZ00000204	GA MACHINE BUSHING 2" X 14	A/R	41	PLT0163040	LH SIDE PLATE ASSY 16"+ CHAMBER	1
15	F000008100	BEARING F/CONN ROD END-COMPL	2	41	PLT0325460	LH SIDE PLATE ASSY 15" CHAMBER	1
16	F000008229	CONN ROD BULLGEAR END HSG	1	41	PLT0325480	LH SIDE PLATE ASSY 14" CHAMBER	1
17	PIN0008670	CONNECTING ROD PIVOT PIN-GR8	1	42	F000008230	BULLGEAR END HOUSING W/BRG	1
18	11079	HEX ZERK 1/4"-28 STR 5/16"	2	43	F000008080	ESNA NUT-1-1/4" NF PLATED	1
19	SPC0033118	BULLGEAR BOLT PIN SPACER	4	44	SFC0000808	HEX HEAD CS 3/4-16 X 2-1/2"GRADE 5	2
20	223588	NUT, ESNA; 5/16 NC GR5 HX	2	45	SFC0000807	CAPSCREW; 3/4-16 X 2-1/4"HD GR5	6
21	SCC0000215	BOLT 5/16" X 4-1/2" NC HEX HD	2	46	223871	LOCKWASHER 1/4	2
22	F000001134	CRANK PIN-GEAR END-22" CHAMBER	1	47	133469W	CAPSCREW; 1/4 UNC X 1/2	2
23	ZZ00000456	KEY 5/8" X 5/8" X 2-1/2	1	48	WCT0125000	FLATWASHER 1-1/4	1
24	SHF0007093	BULLGEAR MOUNTING SHAFT-RH77+	1	49	223587	NUT, ESNA; 1/2 NC	12
25	PLT0016307	SIDE PLATE-RH-W/BRG CUPS 16"CH	1	50	R13812518	WASHER, LOCK; 3/4	8
25	PLT0032547	SIDE PLATE-RH-W/BRG CUPS 15"CH	1	51	235208	NUT, HEX; 3/4 NC GR8	8

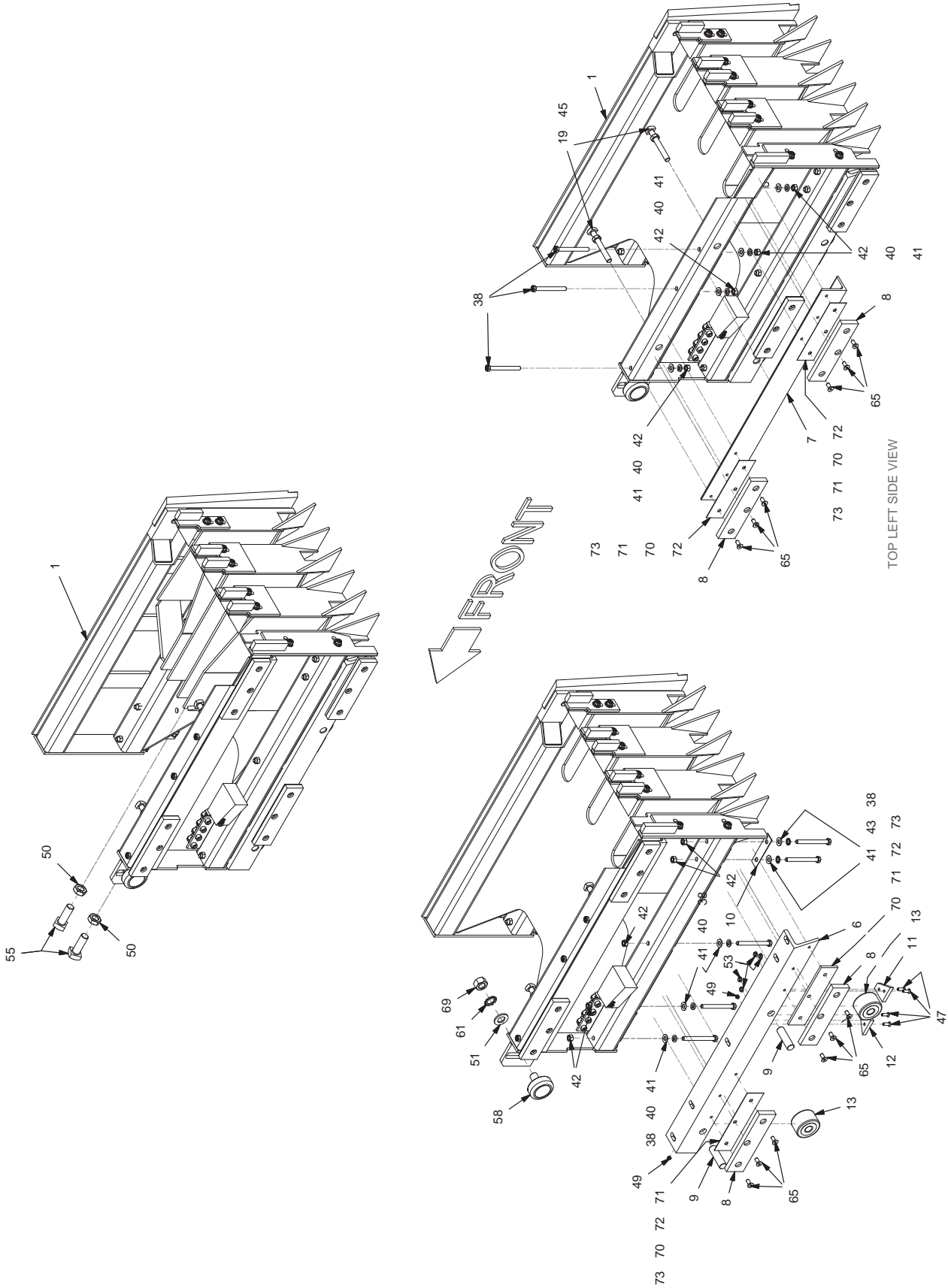
BULL GEAR LUBER ASSEMBLY



BULL GEAR LUBER ASSEMBLY

REF NO.	PART NO.	DESCRIPTION	QTY. USED	REF NO.	PART NO.	DESCRIPTION	QTY. USED
1	903327	BULL GEAR LUBER TANK & PUMP	1	14	FT00000547	LUBER PUMP	1
	FD00000020	. DECAL; USE FREEMAN BULLGEAR..	1		SEL0460974	SEAL KIT FOR FT 547 PUMP	A/R
	FD00000044	. DECAL; DIRECTION ARROW	1	15	PPE3752500	PIPE NIPPLE 3/8" X 2-1/2" STD BLK	1
2	LUB0006789	BULLGEAR LUBER TANK ONLY	1	16	209794	FITTING; FF	2
3	FT00000559	BULLGEAR LUBER TANK GASKET	1	17	FT00000553	FIBER WASHER 3/4" X 1" X 1/16"	1
4	CLP0000130	HOOK-TYPE FASTENER	1	18	FT00000549	BULKHEAD FITTING 3/4"	1
5	CRA0013775	BULLGEAR LUBER CRANK HANDLE	1	19	HYD0068030	BRASS MALE CONNECTOR 3/8" X 1/4"	1
6	237567	NUT, ESNA;A; 3/8 NC GR8	2	20	TBE0033406	TUBE COPPER	1
7	134803W	SCREW, SER FLG 3/8-16 UNC X .75	2	21	LUB0070328	MANIFOLD ASSY; BULLGR LUBER	1
8	223427	WASHER, FLAT; 3/8	2	22	PPE2505000	STD PIPE NIP F/'98 LUB MAN 1/4" X 5"	2
9	18497W	CAPSCREW; 5/16 NC X 1 GR5	4	23	229443	FITTING; EL	2
10	WAS0725002	5/16" SEALING WASHER	4	24	209500	FITTING; ST	2
11	00273802	NUT, SERRATED; 5/16 NC GR5	4	25	LUB0323060	PRESSURE FITTING-VALVE 1/8"	2
12	FT00000548	GASKET - PUMP FLANGE	1	26	PPE0040250	TEE, PIPE; 1/4	
13	HYD0069033	MALE BRASS ELBOW 3/8" 90°	1	27	224073	HOSE ASSY (ENG BALER ONLY)	1

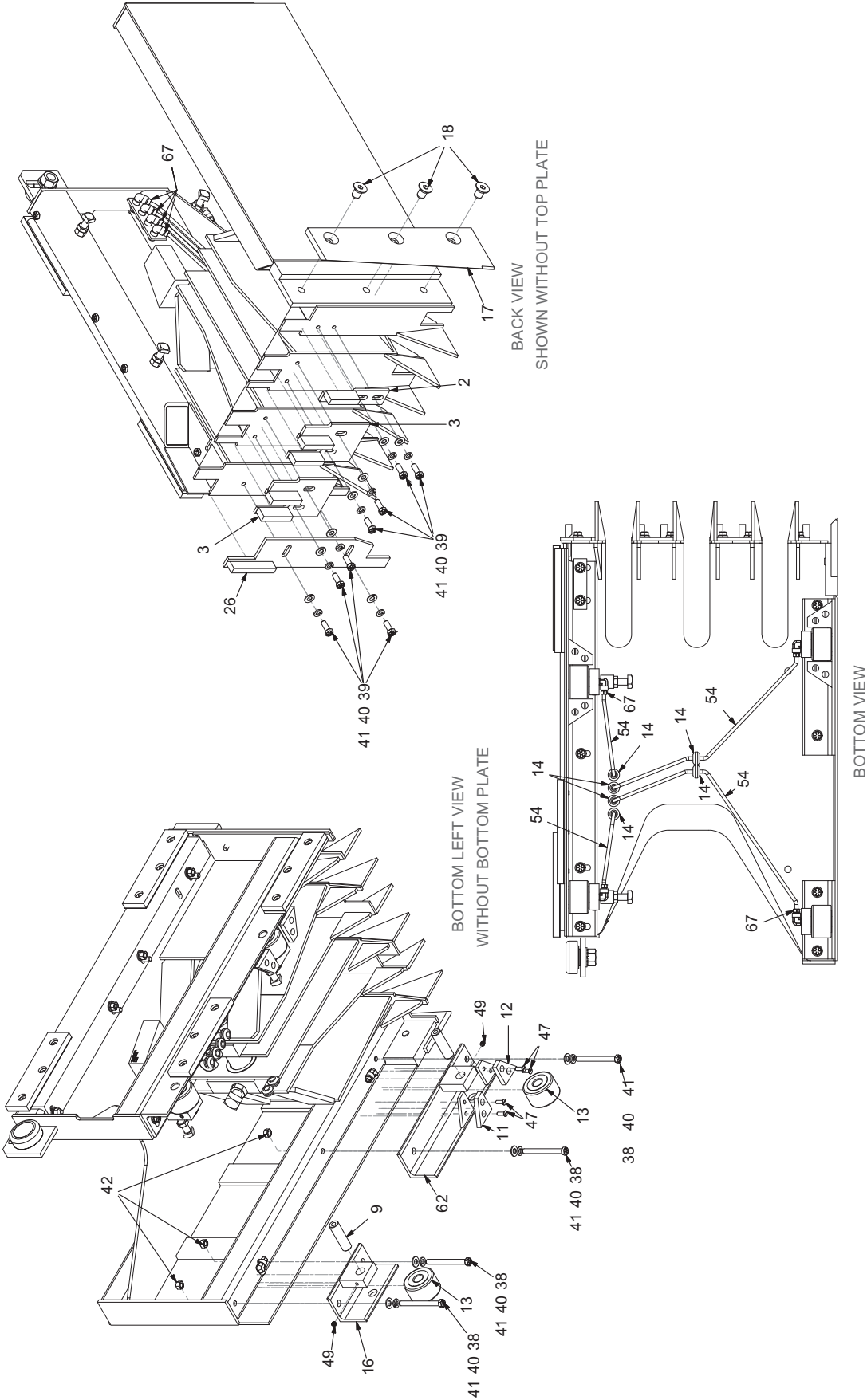
PLUNGER ASSEMBLY



PLUNGER ASSEMBLY

REF NO.	PART NO.	DESCRIPTION	QTY. USED	REF NO.	PART NO.	DESCRIPTION	QTY. USED
1	PLG0031402	PLUNGER WLDMT;*D; 16X22, 3-TIE	1	41	223427	WASHER, FLAT; 3/8	21
1	PLG0031736	PLUNGER WLDMT;*D; 15X22, 3-TIE		42	R13809551	NUT, HEX; 3/8 NC GR5	12
1	PLG0031455	PLUNGER WLDMT;*D; 17X22, 3-TIE		43	236655	WASHER, LOCK; 3/8 EXT TOOTH	2
1	PLG360780F	PLUNGER WLDMT;*D; 14X22, 3-TIE		44	SQS5002500	SET SCREW; 1/2 NC X 2 1/2 SQ HD	2
2	F000008056	PAD WELDMENT,ADJ	1	45	234218	JAM NUT; 1/2 NC GR8	4
3	F000008057	PAD WELDMENT,ADJ	1	47	00113991	MACHINE SCREW; 1/4 NC X 3/4 FH	8
4	SHM0034535	SHIM,PLUNGER,OUTER 16GA	A/R	48	00191758	FITTING, LUBE,	4
5	SHM0034534	SHIM,PLUNGER,OUTER .012"	A/R	49	STS3125313	SOCKET SET SCREW 5/16 X 5/16	4
6	PLG0020660	MNT LH BTM; ROLLER & SLIDE	1	50	247008	JAM NUT; 3/4 NC GR8	2
7	F000007766	HARDSLIDE MNT RAIL-LH-TOP	1	51	R13811457	FLAT WASHER; 3/4	1
8	F000001537	BAR,SLIDE	4	53	4196303	LOCKNUT	3
9	PIN0007831	PIN, ROLL	4	54	NYL0000250	TUBE	9ft
10	LOK0005857	PLATE,LOCK	1	55	SQS7502250	SET SCREW; 3/4 NC X 2 1/4 SQ HD	2
11	F000000986	PLUNGER REAR WIPER-PT BALER	2	58	BRG0001636	TOP ROLLER BEARING	1
12	F000000774	PLUNGER FRONT WIPER	2	61	WES0007500	STAR WASHER 3/4" EXT. -PLATED	1
13	F000000775	PLUNGER ROLLER BEARING	4	62	PLG0007839	MOUNTING WELDMENT,RH REAR	1
14	F000007735	RUBBER GROMMET 3/8X5/8X1/4	6	65	R13807736	CAPSCREW; 5/16 NC X 3/4 FL HD SOC12	
16	PLG0007840	ANGLE WELDMENT,RH FNT	1	67	F000001441	BRASS ELB W/SLEEVE 1/4 X 1/8 90°	8
17	KNF0011157	PLATE,KNIFE	1	69	00220081	HEX NUT; 3/4 NC GR5	1
18	F000000227	PLUNGER KNIFE BOLT-FLAT HD SOC	3	70	SHM0115770	BAR,SHIM .25"	A/R
19	F000000073	SQUARE HEAD SET SCREW 1/2 X 4"	2	71	SHM0115771	PLATE,SHIM 16GA	A/R
26	F000008058	PAD WELDMENT,ADJ	1	72	SHM0115772	PLATE,SHIM 20 GA	A/R
38	R13811046	CAPSCREW; 3/8 UNC X 3 3/4 HX HD	12	73	903397	SHIM .1875"	A/R
39	Y17C-0616	CAPSCREW; 3/8 UNC X 1 HX HD	8				
40	234135	WASHER, LOCK; 3/8 REG HEL SPR	19				

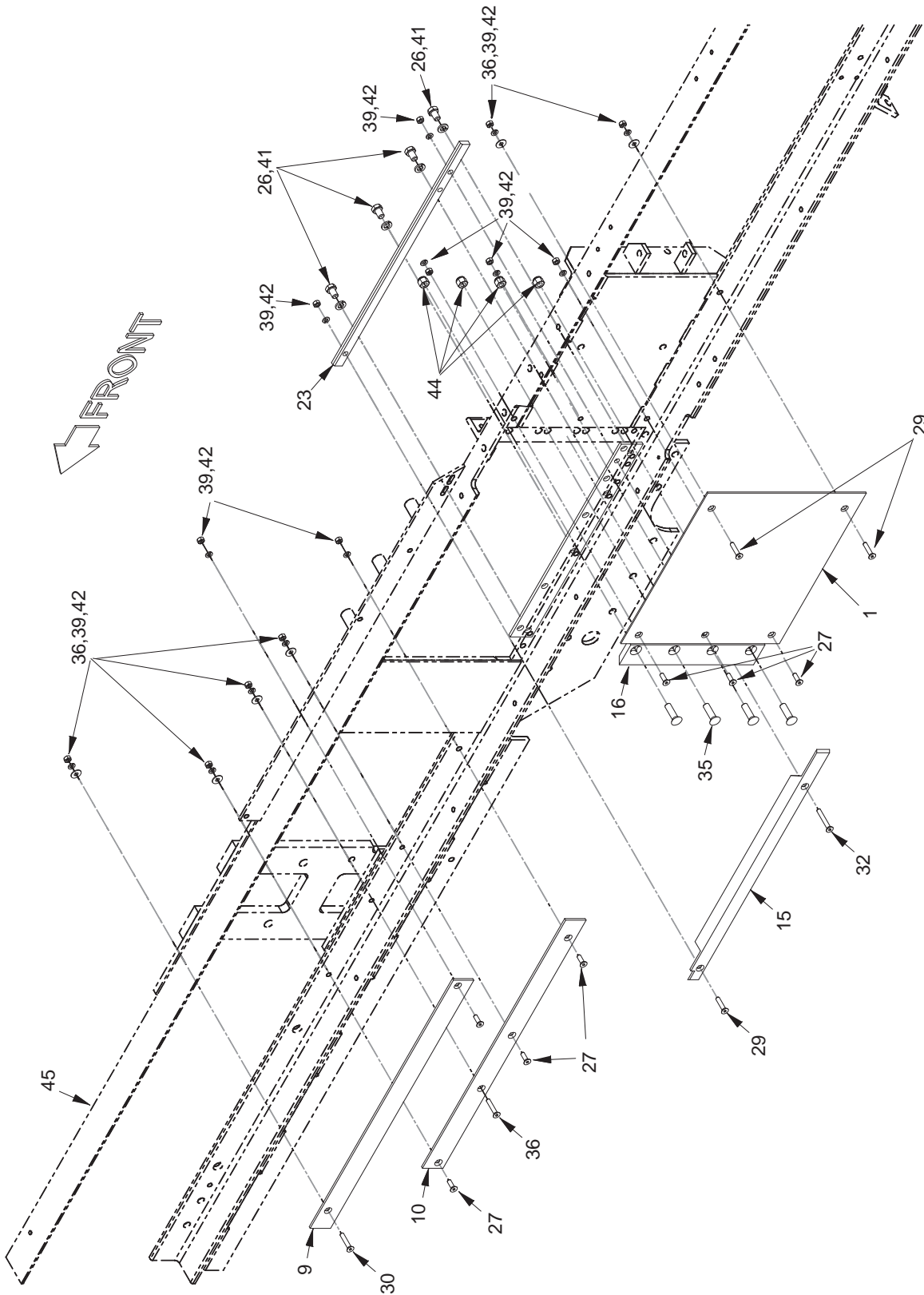
PLUNGER ASSEMBLY



PLUNGER ASSEMBLY

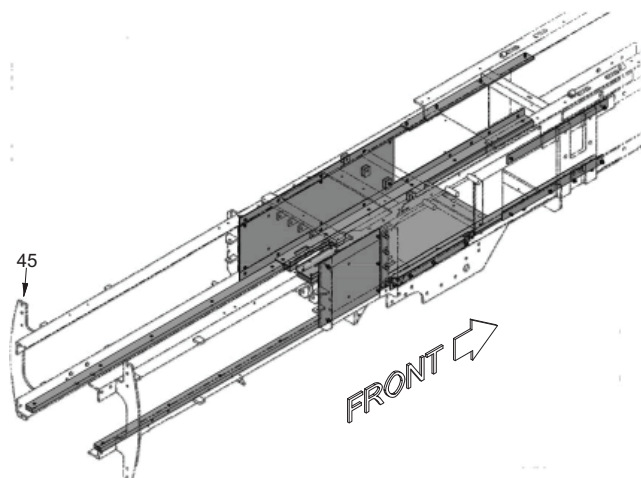
INTENTIONALLY LEFT BLANK

FRAME AND CHAMBER LINERS

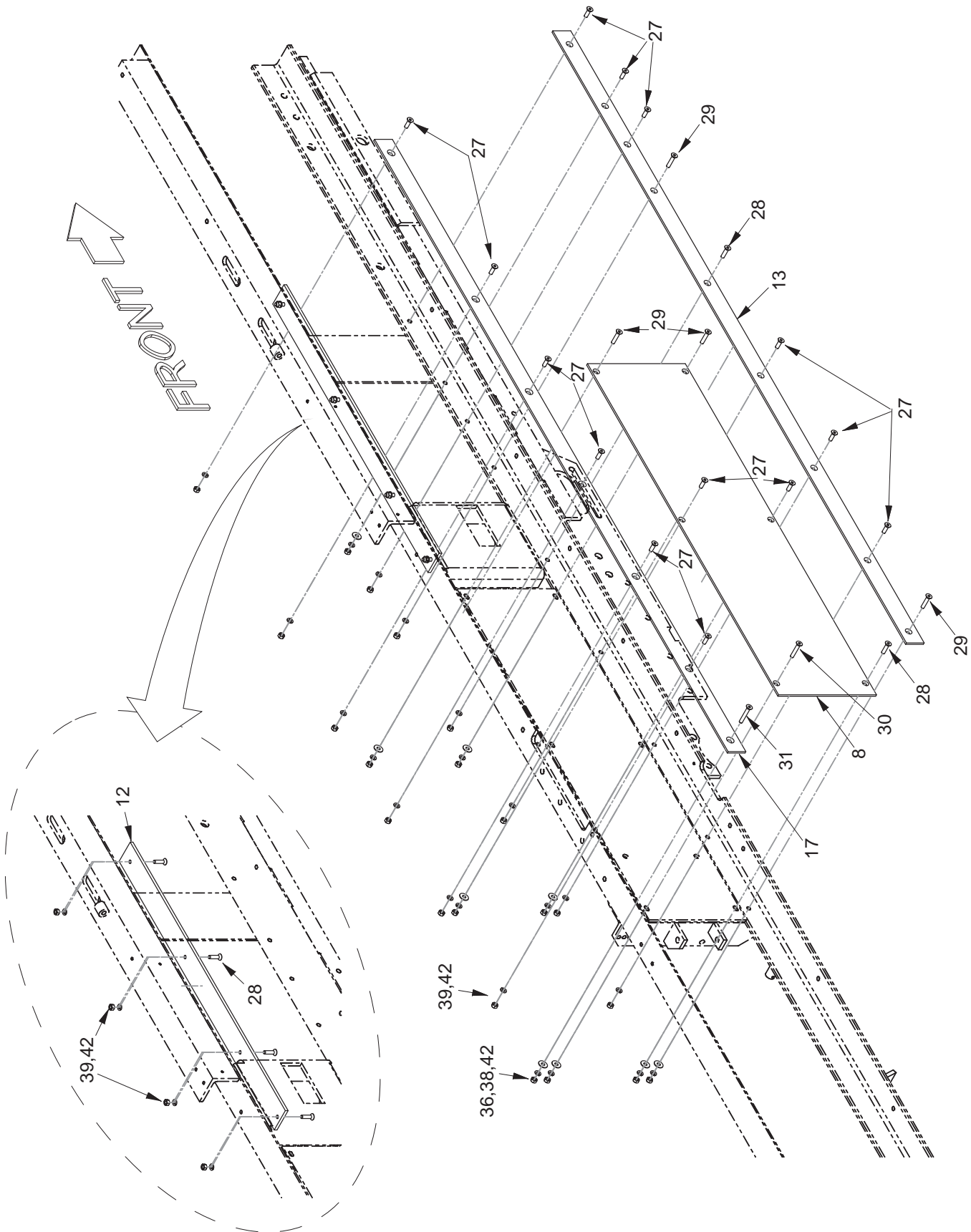


FRAME AND CHAMBER LINERS

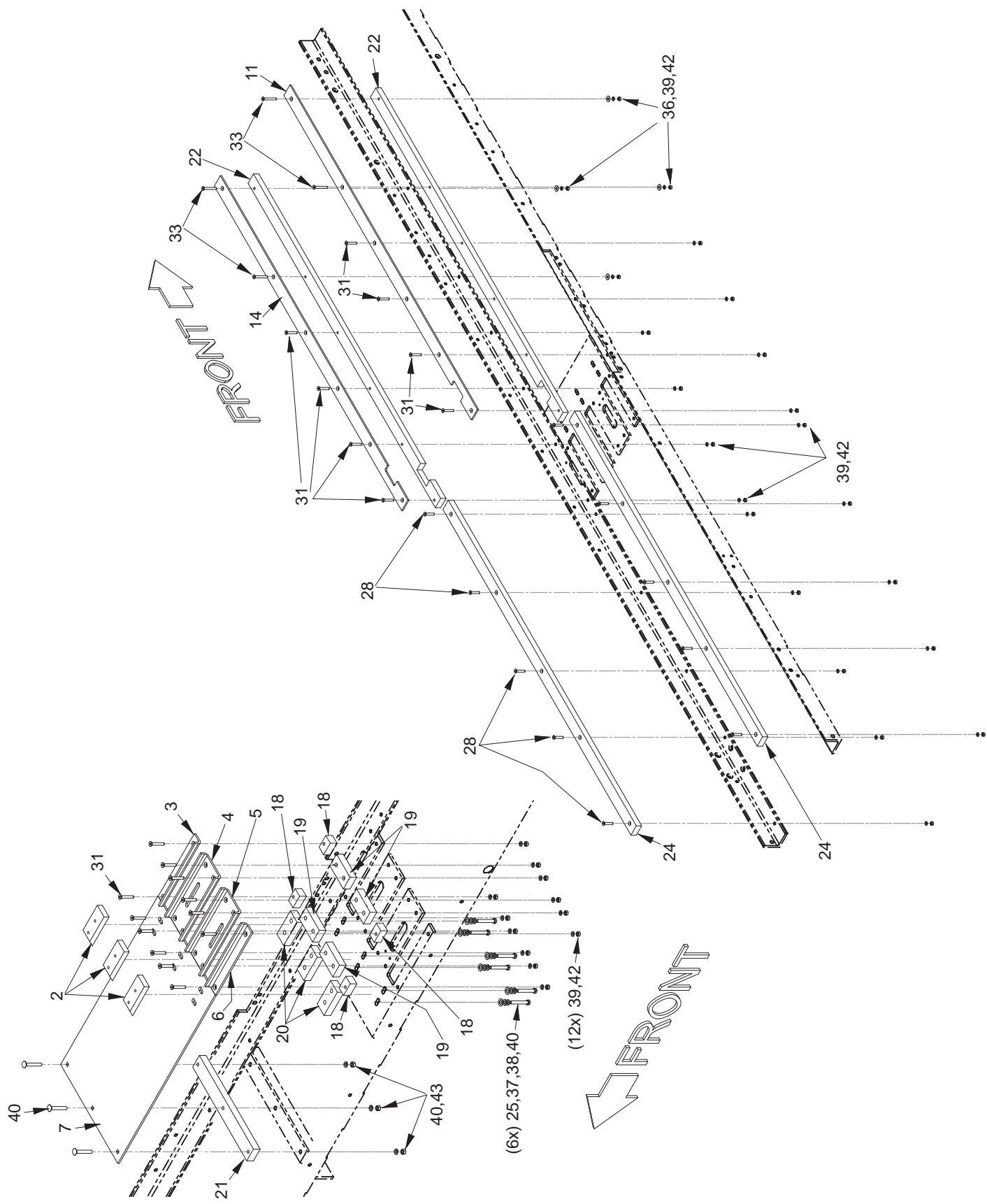
REF NO.	PART NO.	DESCRIPTION	QTY. USED	REF NO.	PART NO.	DESCRIPTION	QTY. USED
1	F000007812	R. H. SIDE LINER F/15 & 16 CHM	1	29	Y09G-0524	CS; 5/16 NCX1 1/2 HX SOC F/15 CHM	7
	F007812-15	R. H. SIDE LINER F/14 CHM	1		Y09G-0524	CS; 5/16 NCX1 1/2 HX SOC F/16 CHM	10
2	902703	BLOCK, TRACK F/15 & 16 CHM	3		Y09G-0524	CS; 5/16 NCX1 1/2 HX SOC F/14 CHM	5
	903119	BLOCK, TRACK F/14 CHM	3	30	Y09G-0528	CS; 5/16 NCX1 3/4 HX SOC F/15 CHM	3
3	F000007813	BAR, RH BTM F/14 ,15 ,16 CHM	1		Y09G-0528	CS; 5/16 NCX1 3/4 HX SOC F/16 CHM	4
4	F000007816	PL, RH F/14 ,15 ,16 CHM	1		Y09G-0528	CS; 5/16 NCX1 3/4 HX SOC F/14 CHM	5
5	F000007818	PL, LH F/14 ,15 ,16 CHM	1	31	Y09G-0532	CS; 5/16 NCX2 HX SOC F/15 CHM	21
6	F000007819	BAR, BTM F/14 ,15 ,16 CHM	1		Y09G-0532	CS; 5/16 NCX2 HX SOC F/16 CHM	1
7	902728	PL, BTM LINER F/14 ,15 ,16 CHM	1		Y09G-0532	CS; 5/16 NCX2 HX SOC F/14 CHM	22
8	F000007825	PL, LH F/15 & 16 CHM	1	32	Y09G-0536	CS; 5/16 NCX2 1/4 HX SOC F/15 CHM	1
	F007825-15	PL, LH F/14 CHM	1		Y09G-0536	CS; 5/16 NCX2 1/4 HX SOC F/14 CHM	1
9	F000000299	BAR, UPPER RH F/14 ,15 ,16 CHM	1	33	Y09G-0540	CS; 5/16 NCX2 1/2 HX SOC F/15 CHM	4
10	PLG0026593	BAR, RH BTM F/14 ,15 ,16 CHM	1		Y09G-0540	CS; 5/16 NCX2 1/2 HX SOC F/14 CHM	2
11	F000007767	PLG RAIL, RH BTM F/14 ,15 ,16 CHM	1	34	CRB3750250	BOLT, CARR; 3/8 NC X 2 1/2 F/15 CHM	3
12	PLG035987D	PL, LH UPPER RAIL F/14 ,15 ,16 CHM	1		CRB3750150	BOLT, CARR; 3/8 NC X 1 1/2 F/16 CHM	3
13	PLG0026592	BAR, LH BTM F/14 ,15 ,16 CHM	1		CRB3750250	BOLT, CARR; 3/8 NC X 2 1/2 F/14 CHM	3
14	F000007762	PLG RAIL, LH BTM F/14 ,15 ,16 CHM	1	35	PWB5001750	BOLT, PLOW; 1/2 NC X 1 3/4 F/15 CHM	4
15	F000007439	ANGLE F/14 ,15 ,16 CHM	1		PWB5001750	BOLT, PLOW; 1/2 NC X 1 3/4 F/16 CHM	4
16	KNF0018468	KNIFE F/15 CHM	1		PWB5001750	BOLT, PLOW; 1/2 NC X 1 3/4 F/14 CHM	3
	F000001609	KNIFE F/16 CHM	1	36	223428	WASHER, FLAT; 5/16 F/15 CHM	19
	F000007744	KNIFE F/14 CHM	1		223428	WASHER, FLAT; 5/16 F/16 CHM	16
17	F000007763	BAR, SIDE F/14 ,15 ,16 CHM	1		223428	WASHER, FLAT; 5/16 F/14 CHM	13
18	SPC0018514	BAR, SPACER F/14 & 15 CHM	4	37	R13811449	WASHER, FLAT; 7/16 F/14,15,16 CHM	6
19	SPC0018515	SPACER F/14 & 15 CHM	4	38	R13802623	WASHER, FLAT; 3/8 F/14,15,16 CHM	6
20	SPC0018516	BAR, SPACER F/14 & 15 CHM	3	39	R13812513	WASHER, LOCK; 5/16 F/14,15 CHM	72
21	SPC0018517	PL, FNT SPACER F/14 & 15 CHM	1		R13812513	WASHER, LOCK; 5/16 F/16 CHM	61
22	SPC0018519	BAR, SPACER F/14 & 15 CHM	2	40	234135	WASHER, LOCK; 3/8 F/14,15,16 CHM	9
23	DPT0034314	ADAPTER F/14 & 15 CHM	1	41	R13812516	WASHER, LOCK; 1/2 F/14,15	4
24	SPC035753B	BAR F/14 & 15 CHM	2	42	R13811512	NUT, HEX; 5/16 NC GR5 F/14,15 CHM	72
25	180959W	CS; 3/8 UNC X 2 1/2 F/14 & 15 CHM	6		R13811512	NUT, HEX; 5/16 NC GR5 F/16	63
	Y17C-0624	CS; 3/8 UNC X 1 1/2 F/16 CHM	6	43	R13809551	NUT, HEX; 3/8 NC GR5 F/14,15,16 CHM	3
26	R13801840	CS; 1/2 UNC X 3/4 HX F/14 & 15 CHM	2	44	223587	NUT, ESNA; 1/2 NC GR8 F/15,16 CHM	4
27	Y09G-0516	CS; 5/16 UNC X 1 HX SOC F/15 CHM	21		223587	NUT, ESNA; 1/2 NC GR8 F/14 CHM	3
	Y09G-0516	CS; 5/16 UNC X 1 HX SOC F/16 CHM	42	45	FRM037192E	FRAME 3 TIE 15" KITTED OR 16" CHM	1
	Y09G-0516	CS; 5/16 UNC X 1 HX SOC F/14 CHM	23		FRM037116F	FRAME 3 TIE 14" KITTED OR 15" CHM	1
28	Y09G-0520	CS; 5/16UNCX1 1/4 HX SOC F/15 CHM	16				
	Y09G-0520	CS; 5/16UNCX1 1/4 HX SOC F/16 CHM	6				
	Y09G-0520	CS; 5/16UNCX1 1/4 HX SOC F/14 CHM	15				



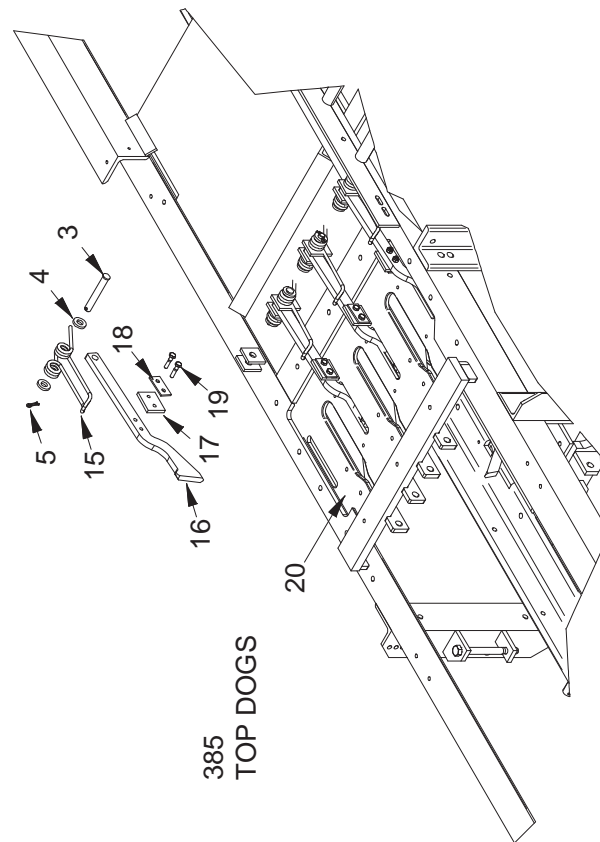
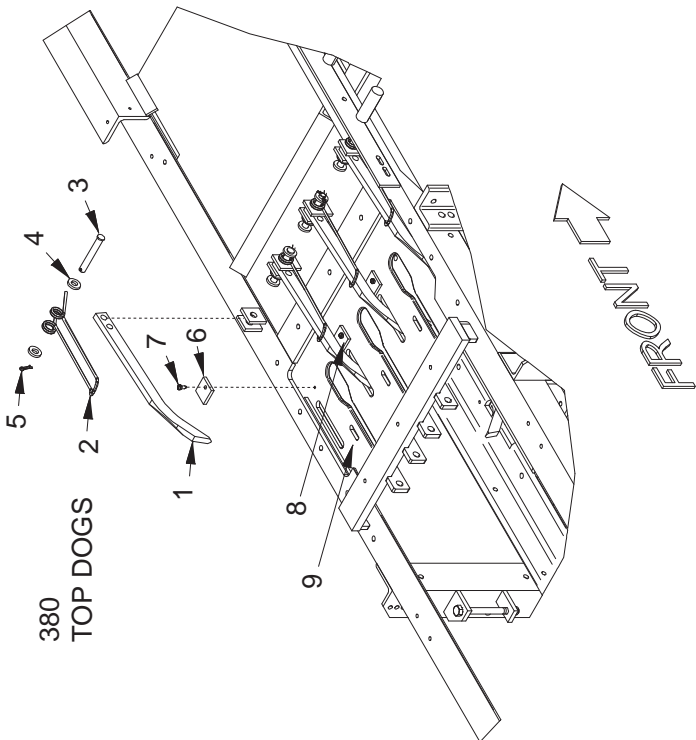
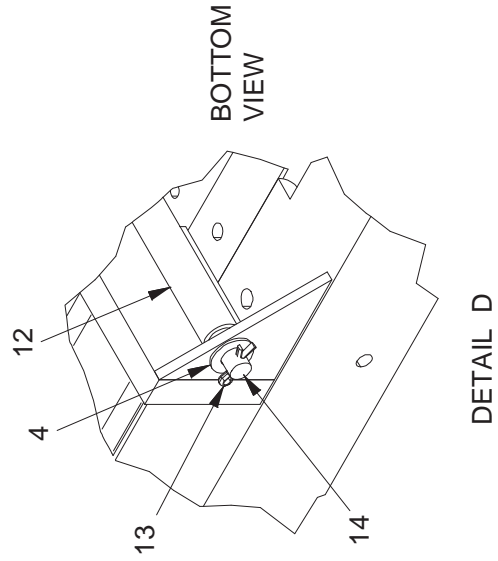
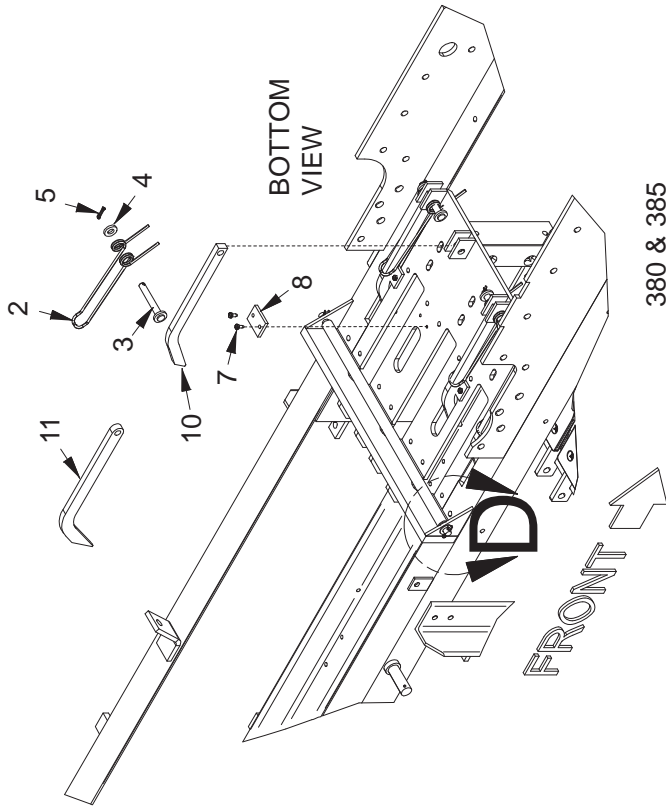
FRAME AND CHAMBER LINERS



FRAME AND CHAMBER LINERS



HAY DOGS

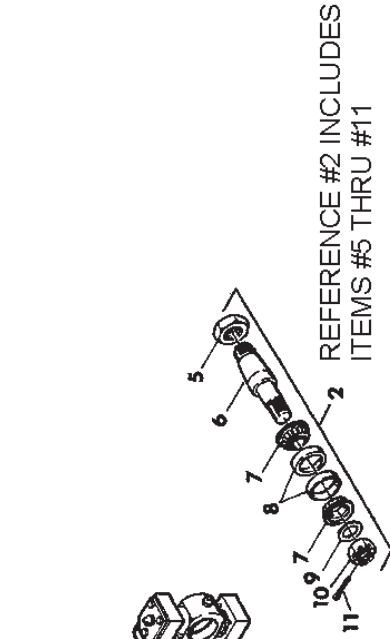


HAY DOGS

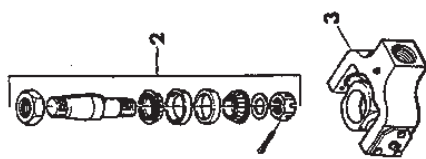
REF NO.	PART NO.	DESCRIPTION	QTY. USED
1	F000007911	HAY DOG TOP 380 ONLY	4
2	F000000188	SPRING, HAY DOG	8
3	F000000220	HAY DOG PIN	8
4	239519	WASHER, FLAT; 1/2	16
5	COT0000500	PIN, COTTER; 1/8 X 1/2	16
6	PAD0025219	PAD;A; 1.5 X 1.5	2
7	221872	HEX HEAD SELF TAPPING SCREW	14
8	PAD0025218	PAD;A; 1.5 X 2	6
9	902535	PLATE, TOP 380	1
10	F000000837	HAY DOG BOTTOM	4
11	DOG0018520	HAY DOG BOTTOM KITTED 16 TO 15	4
12	F000008105	GUIDE PIPE	1
13	COT0000801	PIN, COTTER; 3/16 X 1	1
14	F000008104	ROD, GUIDE	1
15	SPG0023160	SPRING, HAY DOG 385	4
16	DOG0035704	TOP HAY DOG 385	4
17	CUS0032524	TOP PAD; 385	4
18	CLP0032525	PLATE, CLAMP F/CUS0032524	4
19	234478	MACH SCR; 1/4 NC X 1 1/4 GR8	8
20	902534	PLATE, TOP 385	1

FEED ARM CONNECTING ROD ASSEMBLY

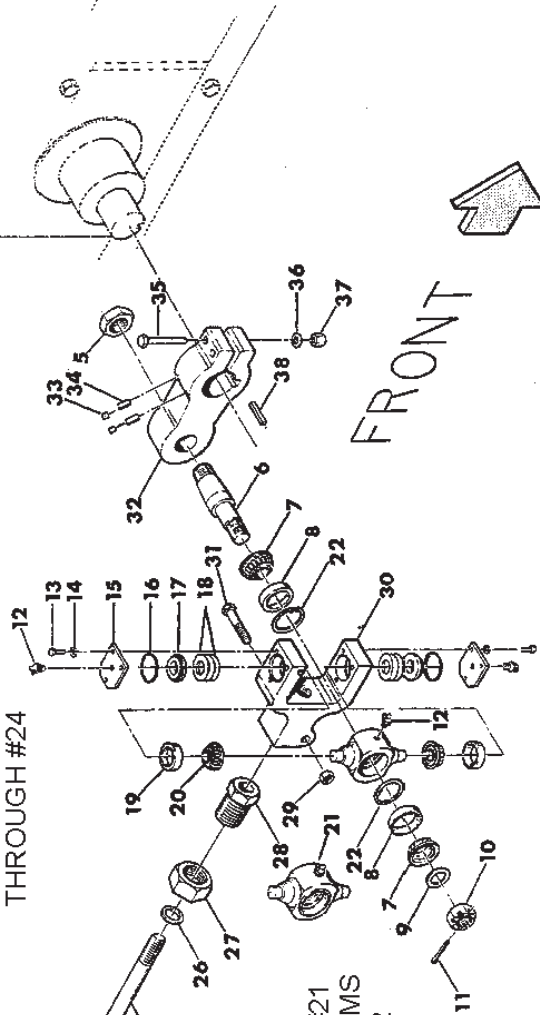
REFERENCE #1 INCLUDES
ITEMS #8 AND #12 THRU #31



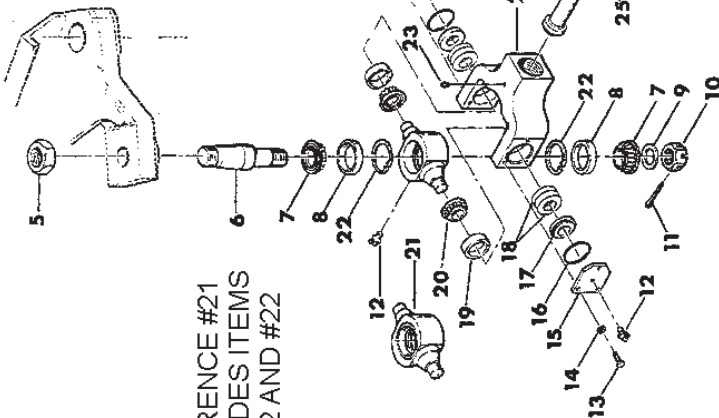
REFERENCE #3
INCLUDES
ITEMS #8 AND #12
THRU #24



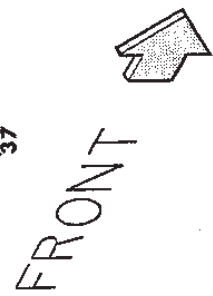
REFERENCE #4
INCLUDES ITEMS
#8 AND #29
THROUGH #24



REFERENCE #21
INCLUDES ITEMS
#8, 12 AND #22



REFERENCE #21
INCLUDES ITEMS
#8, #12 AND #22



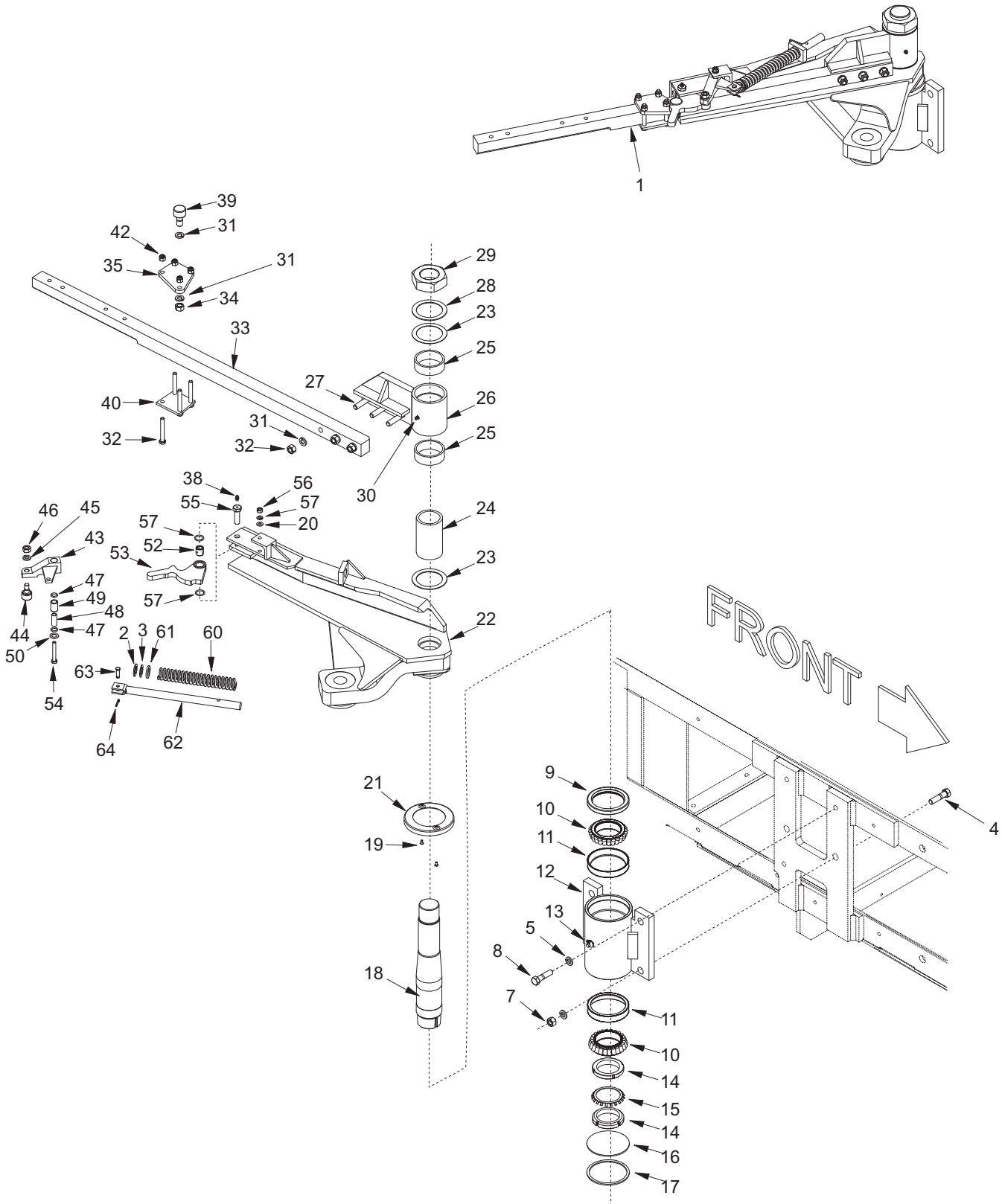
FEED ARM CONNECTING ROD ASSEMBLY

REF NO.	PART NO.	DESCRIPTION	QTY. USED	REF NO.	PART NO.	DESCRIPTION	QTY. USED
1	ARM000027	1991 FEEDARM CONROD-BLK TO BLK	1	20	BRG0012600	BEARING W/SEAL	4
2	PIN24065-1	1991 FEEDARM PIN KIT COMPLETE	2	21	BLK0024063	BEARING BLOCK	2
3	YOK24065-1	FEEDARM YOKE ASY COMP-ARM END	1	22	RNG5000256	SNAP RING	4
4	YOK24056-1	FEEDARM YOKE ASY COMP-CRA END	1	23	ZZ0000100	HEX ZERK 1/1.-28 SIR 5/16"	1
5	NMS0024111	FEED FORK CRANK PIN NUT -3 TIE	2	24	YOK0024055	1991 FEEDARM YOKE(ARM END)3 TIE	1
6	PIN0024065	1991 FEEDARM CRANK PIN -3TIE	2	25	F000008258	FEED ARM CONNECTING ROD	1
7	BRG0048500	BEARING W/SEAL	4	26	ZZ0000207	MACHINE BUSHING 1-1/4" X 14GA	1
8	BRG0048510	BEARING CUP	4	27	F000008140	JAM NUT - SQUARED 2" HF	1
9	ZZ0000228	MACHINE BUSHING 1-1/4" X 10 GA	2	28	F000008259	FEED ARM SHAFT SWIVEL NUT	1
10	229933	SLOTTED NUT NF 1-1/4	2	29	NFH0625000	HEX NUT; 5/8" NF 2H	1
11	COT0001006	COTTER PIN 1/4" X 2-1/2"	2	30	YOK0024056	1991 FEEDARM YOKE(CRA END)ETIE	1
12	F000001661	FITTING; 1/8 NPT	6	31	SFC0080710	CAPSCREW; 5/8" X 3" HF GR 8	1
13	223574	CAPSCREW; 1/4" X 3/4" NC HT	12	32	CRA0024058	STD CRANK ARM-AFT 12/90 -3 TIE	1
14	WLK0000250	LOCKWASHER 1/4" - PLATED	12	33	STS5000250	SET SCREW 1/2" X 1/4"	2
15	CVR0024052	FEEDARM YOKE BRG CAP	4	34	STSS000500	SOCKET SET SCREW 1/2" X 1/2"	3
16	RNG0002135	O-RING 1-15/16" X 2-1/2" N70 DURO	4	35	SFC0080514	CAPSCREW; NF GR8 1/2" X 1/4"	2
17	SPC0024066	FEED ARM BEARING SPACER -3 TIE	4	36	WAS0000104	STRUCTURAL WASHER 1/2"	2
18	SHM2406700	BRG SHIM(.007)F/FD ARM CRK PIN	A/R	37	NHF0005000	HIGH NUT 1/2" NF	2
18	SHM2406701	BRG SHIM(.020) F/FD ARM CRK PIN	A/R	38	ZZ0000456	KEY 5/8" X 5/8" X 2-1/2"	1
18	SHM2406702	BRG SHIM(.05) ARM CRK PIN	A/R	39	BLK0240630	BEARING BLK W/CUPS & SNAP RNGS	2
19	BRG0012610	BEARING CUP	4				

KIT0000027 FEED ARM KIT INCLUDES:

ARM000027	1991 FEEDARM CONROD-BLK TO BLK	1
CRA0024058	STD CRANK ARM-AFT 12/90 -3 TIE	1
FAF0024108	FEED ARM ASSY	1
PIN24065-1	1991 FEEDARM PIN KIT COMPLETE	2

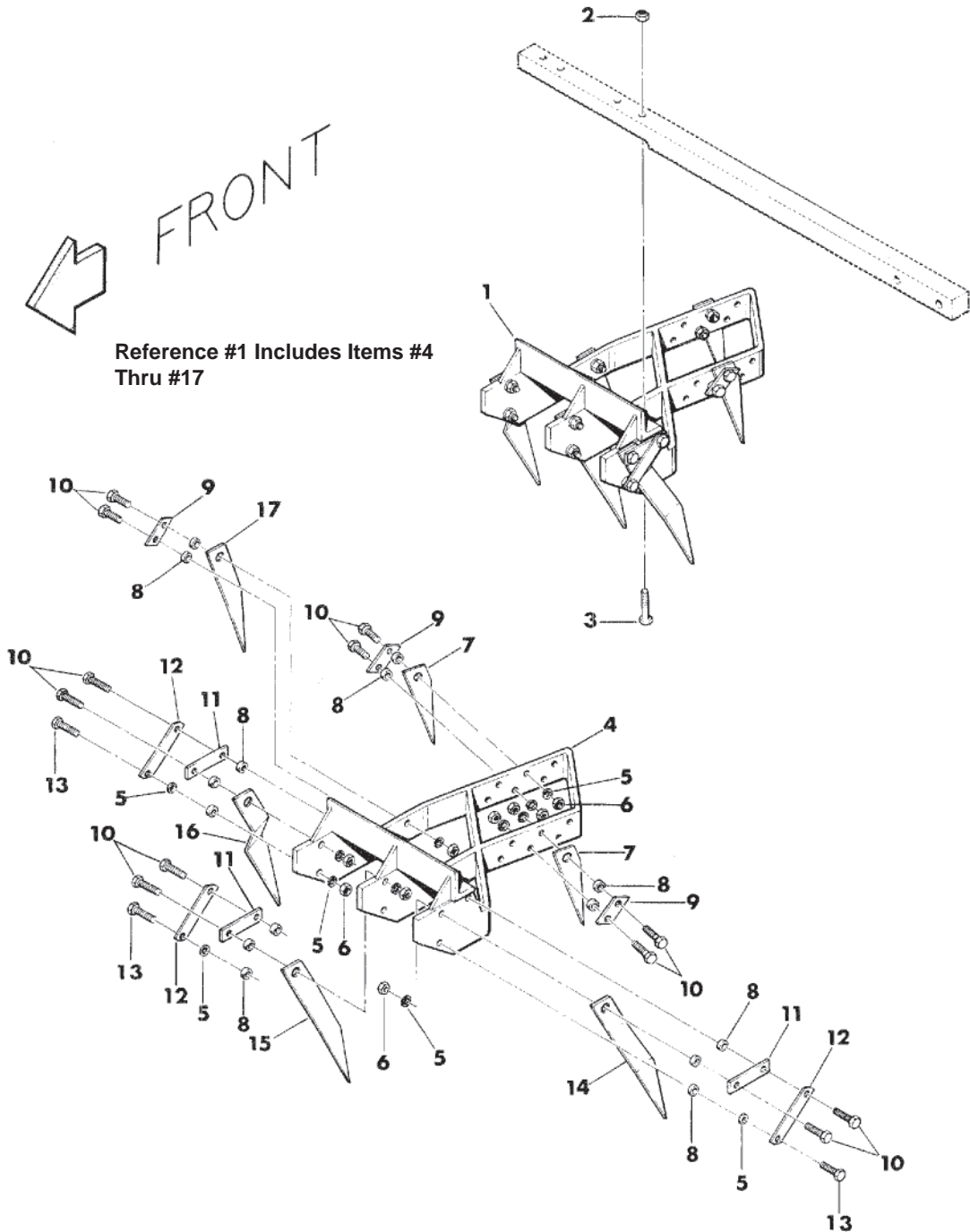
FEED ARM PIVOT SHAFT ASSEMBLY



FEED ARM PIVOT SHAFT ASSEMBLY

REF NO.	PART NO.	DESCRIPTION	QTY. USED	REF NO.	PART NO.	DESCRIPTION	QTY. USED
1	FAF2410800	FEED ARM PIVOT SHAFT ASSEMBLY	1	31	234665	LOCKWASHER MEDIUM 1/2	4
2	ZZ00000206	MACH BUSH; (3/4 X 14GA)	1	32	R13812641	HEX NUT GRD 8 1/2-20	2
3	ZZ00000201	MACH BUSH; 35-04 (3/4 X 1 1/4 X 18GA)A/R	33	F000007529		FEEDARM TOURQE SHAFT	1
4	SCC0080708	CAPSCREW; 5/8" X 2-1/2" NC GR 8	2	34	205124	HEX NUT NF 1/2	1
5	WLK0006250	LOCKWASHER 5/8"	6	35	F000007533	ROLLER PLATE F/F7529 SHAFT	1
6	SCC0080705	CAPSCREW; 5/8" X 1-3/4" NC GR 8	2	36	Y73G-0644	CAPSCREW; 3/8 NC X 2 3/4 GR8	1
7	NCH0800625	NUT 5/8" NC HEX GRADE 8	2	37	Y18C-0644	CAPSCREW; 3/8 UNF X 2 3/4 HX HD	3
8	SCC0080706	CAPSCREW; 5/8" X 2" NC GR 8	2	38	F000004089	ZERK 3/16" DRIVE STR 5/16" HEX	2
9	F000008135	OIL SEAL	1	39	F000004050	ROLLER	1
10	F000008134	BEARING CONE	2	40	F000007532	BOTTOM PLATE F/F7529 SHAFT	1
11	F000008133	BEARING CUP	2	41	237316	ESNA NUT NF 3/8	3
12	F000008128	FEED ARM HOUSING	1	42	237567	ESNA NUT 3/8	1
13	F000001661	FITTING-HYD SHUT OFF-1/8 NPT	1	43	F000007606	TRIP ARM W/BUSHING	1
14	F000008131	TAKEUP BEARING NUT	2	44	F000000822	CAM FLOWER	1
15	F000008132	LOCKWASHER W-12	1	45	200603	LOCKWASHER; 7/16" MEDIUM	1
16	F000008129	PLUG CAP	1	46	221398	HEX NUT; 7/16" NF	1
17	F000008130	RETAINING RING	1	47	F000001557	O-RING	2
18	F000008126	FEED ARM PIVOT SHAFT	1	48	F000008262	SPRING ARM SLEEVE	1
19	Y10G-(1032)06	CAPSCREW; 10-32 X 3/8	2	49	F000001556	TRIP ARM BUSHING	1
20	R13811443	FLAT WASHER 1/4	1	50	F000008315	WASHER 1/2" X 7/8" X .30 SEASTR	1
21	F000008136	DUST CAP	1	51	F000007610	QUAD-RING F/F8262 SLV	2
22	FAF0024108	FEED ARM	1	52	F000007607	INNER RACE F/F7604 LATCH	1
23	F000008187	WASHER; 14GA X 2.63 ID X 3.5	2	53	F000007604	FEED ARM LATCH	1
24	F000008139	PIVOT SHAFT SLEEVE	1	54	F000001559	TRIP ARM PIN 5/16" X 2-1/4"	1
25	F0008141MP2	BUSHING F/TORQUE SHF BRG(PAIR)	1	55	F000007605	LATCH HINGE PIN	1
26	F000008127	TORQUE SHAFT BRG W/F8141 BSHGS	1	56	R13803725	HEX NUT; 5/16" NF	1
27	SFC0080510	CAPSCREW; 1/2" X 3" NF GR 8	2	57	201566	LOCKWASHER 5/16"	1
28	F000008334	WASHER;A; 20GA X 2.63 ID X 3.5	A/R	58	235591	HEX NUT NC 5/8	1
29	F000008140	JAM NUT - 2" NF SQUARED	1	59	16833W	CAPSCREW; 5/8" X 1-3/4" NC HT	1
30	11079	HEX ZERK 1/4-28 STR 5/16"	1	60	F000008296	TRIP ARM SPRING-BALER	1
				61	226272	3/4" X 10GA MACHINE BUSHING	1
				62	ROD0013590	TRIP ARM SPRING ROD	1
				63	F000001561	TRIP ARM SPRING ROD CLEVIS PIN	1
				64	00103384	COTTER PIN 1/8" X 3/4"	1

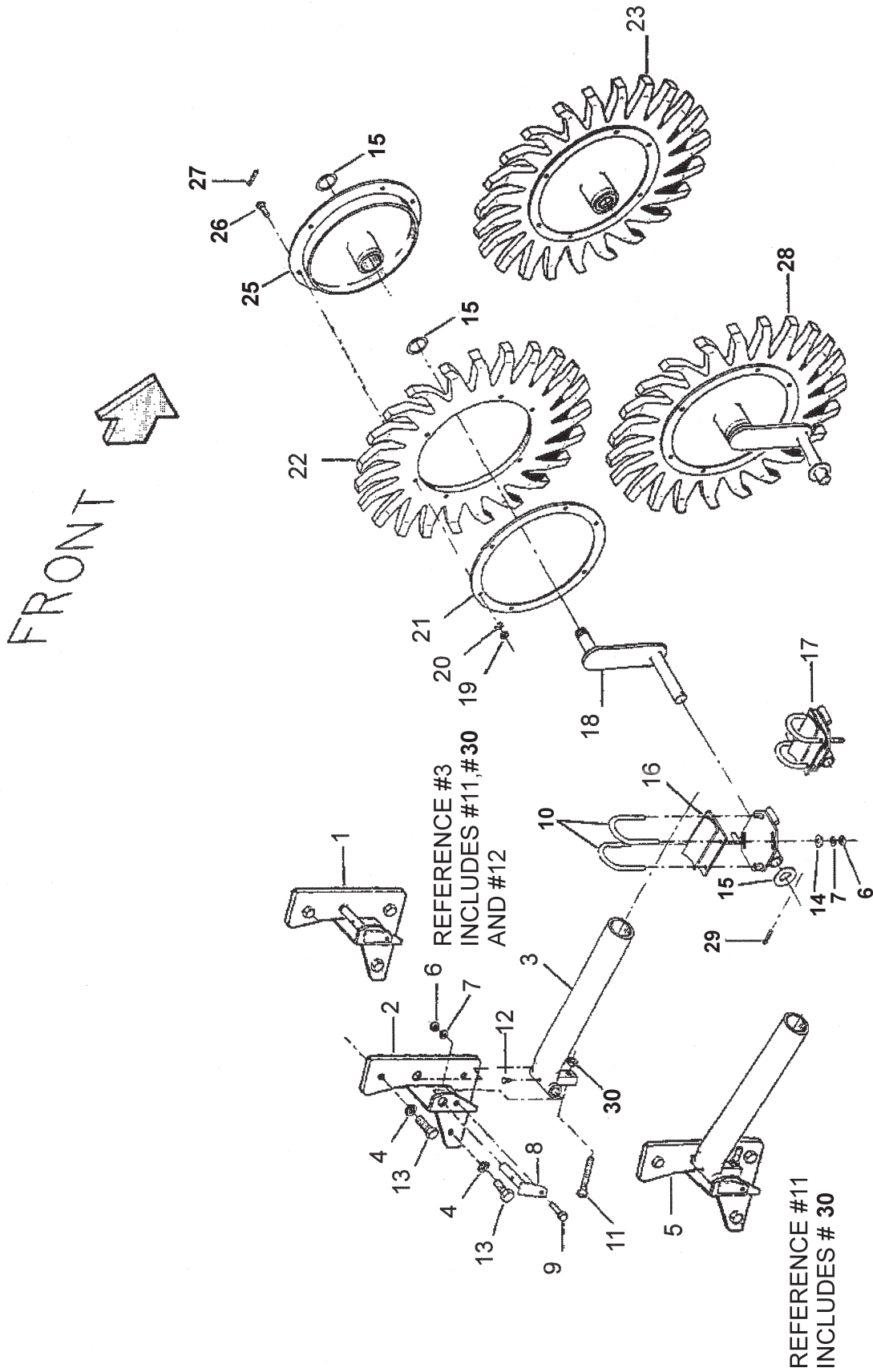
**FEED FORK ASSEMBLY
F000007966**



FEED FORK ASSEMBLY F00007966

REF NO.	PART NO.	DESCRIPTION	QTY. USED	REF NO.	PART NO.	DESCRIPTION	QTY. USED
1	F00007966	FEED FORK COMPL-16" CHM -3 TIE	1	13	R13802037	CAPSCREW; 7/16" X 1-3/4" NF HT	3
1	F007966-14	FEED FORK COMPL-14" CHM -3 TIE	A/R	14	F00007967	TINE TRAILING-INSIDE 16"	1
1	F007966-15	FEED FORK COMPL-15" CHM -3 TIE	A/R	14	F007976-14	INSIDE TRAILING TINE -14" CHM	1
2	224118	NUT, ESNA; 3/8 NF GR8	4	14	F007967-15	INSIDE TRAILING TINE -15" CHM	1
3	R13810864	CAPSCREW; 3/8 NF X 2 1/2 GR8	4	15	F00007968	TRAILING CENTER TINE-STD CHM	1
4	F000008231	FEED FORK FRAME ONLY	1	15	F007968-14	CENTER TRAILING TINE -14" CHM	1
5	200603	LOCKWASHER 7/16"	15	15	F007968-15	CENTER TRAILING TINE -15" CHM	1
6	214247	HEX NUT - 7/16" NF PLATED	15	16	F00007969	TRAILING OUTSIDE TINE-STD CHBR	1
7	F000001603	SHORT LEADING TINE F/15" & 16"	2	16	F007969-14	OUTSIDE TRAILING TINE -14"CHM	1
7	F001603-14	TINE LEADING-SHORT 14"	2	16	F007969-15	OUTSIDE TRAILING TINE -15"CHM	1
8	F000001193	FEED FORK TINE BUSHING & STOP	15	16	TIN0007751	5-1/2" OFFSET TINE 16"CHM	1
9	F000001195	FEED FORK CLIP	3	16	TIN7751-15	5-1/2" OFFSET TINE 15"CHM	1
10	R13810879	CAPSCREW; 7/16-20 X 1-1/2"GRADE 5	12	17	F000001189	LEADING TINE - 11" LONG	1
11	F000007970	INSIDE STRAP-F/FEED FORK TINE	3	17	F001189-14	LEADING TINE F/14" CHAMBER	1
12	F000007971	OUTSIDE STRAP F/FEED FORK TINE	3	17	F001189-15	LEADING TINE F/15" CHAMBER	1

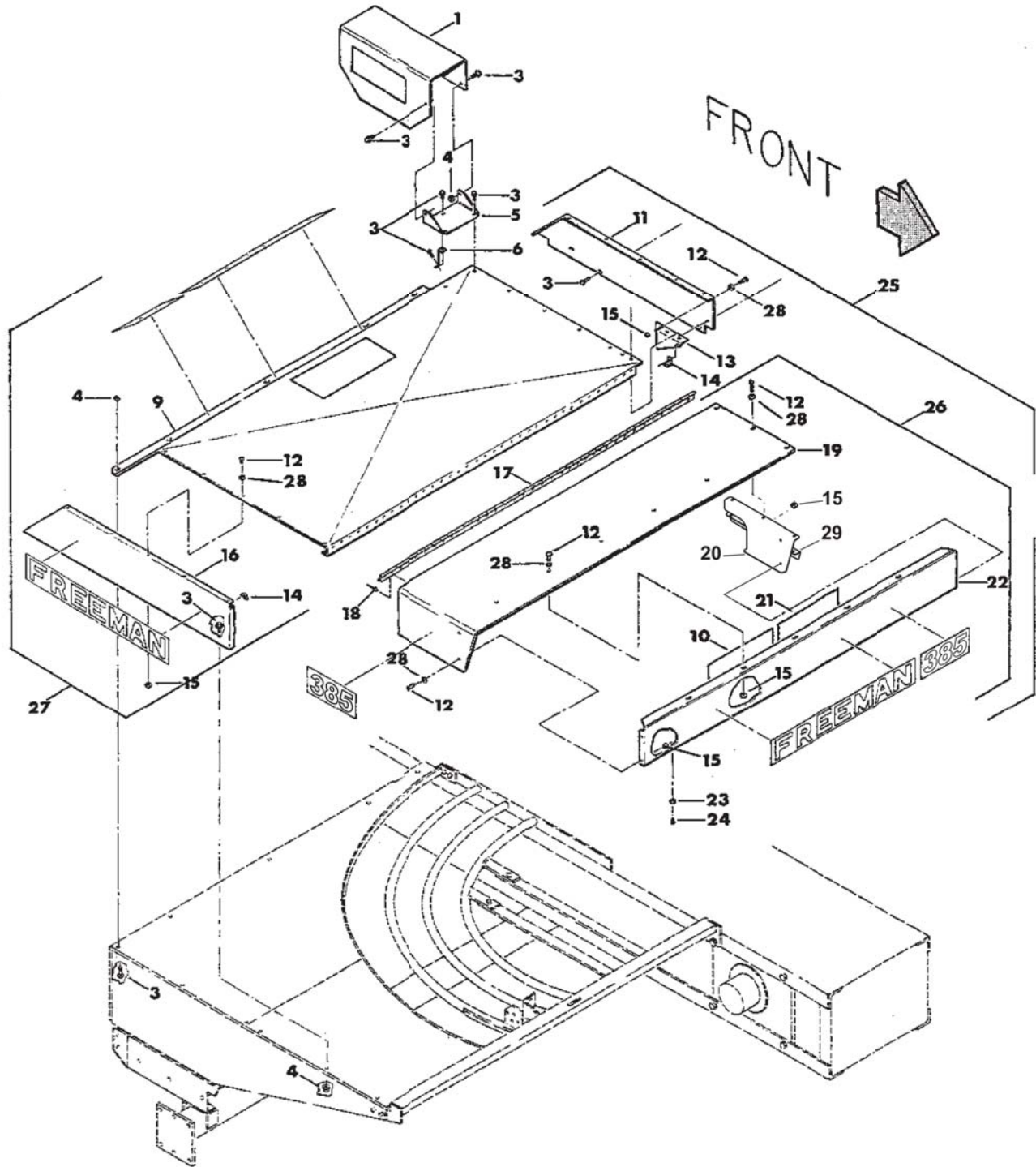
HAY SAVER WHEEL ASSEMBLY AND MOUNTS



HAY SAVER WHEEL ASSEMBLY AND MOUNTS
F00001893-330
F001893-70-370

REF NO.	PART NO.	DESCRIPTION	QTY. USED	REF NO.	PART NO.	DESCRIPTION	QTY. USED
1	MNT0204840	HAY SAVER MNT W/PIN 70"	1	20	R13812513	LOCKWASHER- 5/16" PLATED	6
2	MNT0020484	HAY SAVER MOUNT	1	21	F000001906	BACKUP RING F/HAY SAVER DISC	1
3	F000001895	HAY SAVER ARM W/STOP	1	22	F000001907	RUBBER RING F/HAY SAVER	1
4	234665	LOCKWASHER 1/2"	3	23	F000001913	HAY SAVER DISC W/STL B/UP RING	1
5	MNT2048400	MOUNT & ARM ASSY	1	24	BSH0162048	HAY SAVER WHEEL BUSHING	1
6	R13809551	HEX NUT - 3/8" NC PLATED	5	25	F000001911	WHEEL DISC ONLY F/HAY SAVER	2
7	234135	LOCKWASHER - 3/8" PLATED	5	26	CRB3130150	CARRIAGE BOLT - 5/16" X 1-1/2"	6
8	F000001897	PIVOT PIN F/HAY SAVER BRACKET	1	27	COT0000505	COTTER PIN 1/8" X 1-3/4"	1
9	00180122	CAPSCREW; 3/8" X 1" NC HT	1	28	CRB0001904	HAY SAVER DISC ASSY-COMplete	1
10	F000001901	U-BOLT F/HAY SAVER WHEEL	2	29	COT0000503	COTTER PIN 1/8 X 1-1/4	1
11	F000001896	HAY SAVER STOP BOLT	1	30	235591	NUT, HEX; 5/8 NC GR8 ZC	1
12	00191758	HEX ZERK 1/8" NPT STR 7/16"	1				
13	234885	CAPSCREW; 1/2" X 1" NC HT	3				
14	223427	FLATWASHER - 3/8" PLATED	4				
15	R1382637	FLATWASHER 1"	3				
16	F000001902	SADDLE F/HAY SAVER ROTARY CLMP	1				
17	F000001900	HAY SAVER ROTARY CLAMP-COMPL	1				
18	F00001905A	WHEEL AXLE ARM - BUSHING TYPE	1				
19	R13811512	HEX NUT - 5/16" NC PLATED	6				

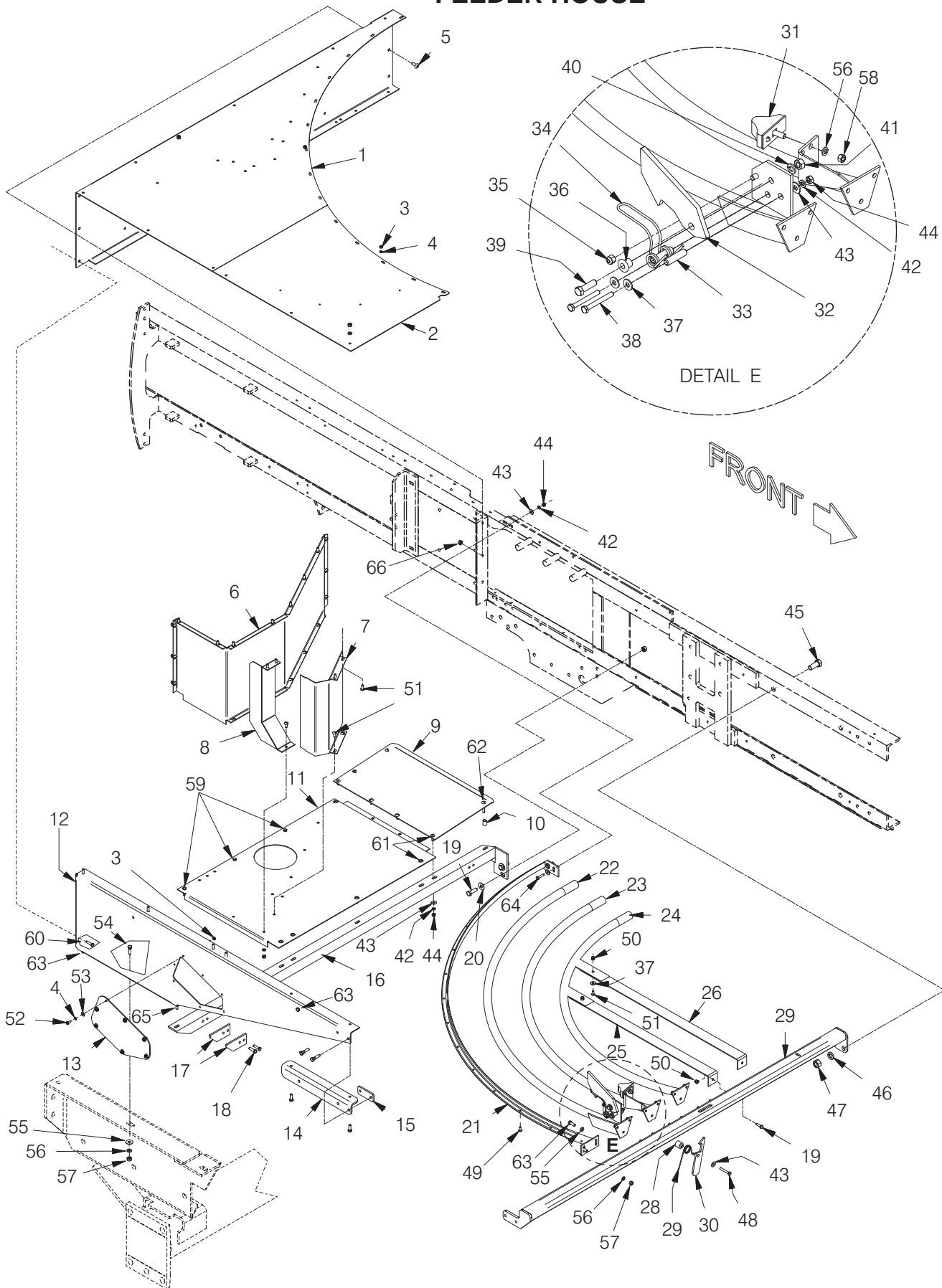
FEEDER HOUSE SHIELDS



FEEDER HOUSE SHIELDS

REF NO.	PART NO.	DESCRIPTION	QTY. USED	REF NO.	PART NO.	DESCRIPTION	QTY. USED
1	903287	R.H. DRIVE ARM SHIELD	1	19	903291	SHIELD & DECAL,PICKUP FNT 380	1
	FD00023581	. "CAUTION! SHUT OFF MOTOR WHEN"	1		FD00000380	. DECAL; 380 (4 5/16 X 12)	1
3	SMS0000184	WHIZ BOLT-5/16" X 3/4" NC PLATED	8	19	903292	SHIELD & DECAL,PICKUP FNT 385	1
4	00273802	WHIZ NUT - 5/16" X 3/4" NC PLATED	8		FD00000385	. DECAL; 385 (4 5/16 X 12)	1
5	F000007579	BRACKET-NDL YOKE DRIVE ARM SHD	1	20	SHD0037321	P/U SHIELD/FRT SEC END	1
6	F000007654	BRACE F/F7579 BRACKET	1	21	FD00025126	PICKUP HAZARD WARNING DECAL	1
9	903324	SHIELD & DECAL,REAR PICKUP; 380	1	22	903311	SHIELD & DECAL,FACE PLATE; 380	1
	FD00023575	. "DANGER!DO NOT RIDE ON BOX..."	2		FD00007114	. DECAL;D; FREEMAN (5 X 36 RED)	1
	FD00007114	. RED "FREEMAN" DECAL	1		FD00025126	. DECAL; PICKUP HAZARD WARNING	1
	FD00000380	. DECAL; 380	1		FD00023575	. DECAL; DANGER! DO NOT RIDE..	1
9	903325	SHIELD & DECAL,REAR PICKUP; 385	1		FD00000380	. DECAL; 380 (4 5/16 X 12)	1
	FD00023575	. "DANGER!DO NOT RIDE ON BOX..."	2	22	903312	. SHIELD & DECAL,FACE PLATE; 385	1
	FD00007114	. RED "FREEMAN" DECAL	1		FD00007114	. DECAL;D; FREEMAN (5 X 36 RED)	1
	FD00000385	. DECAL; 385	1		FD00025126	. DECAL; PICKUP HAZARD WARNING	1
11	SHD0017231	LH SIDE-SHD OVER P/U REAR SECT	1		FD00023575	. DECAL; DANGER! DO NOT RIDE..	1
12	00113955	MACH SCR; 1/4 NC X 1/2 RD HD	37		FD00000385	. DECAL; 385 (4 5/16 X 12)	1
13	SUP0017230	SHD OVER P/U REAR SECT-GUSSET	1	23	BMP0004243	RUBBER BUMBER F/HOOD	2
14	SUP0017229	SHD OVER P/U REAR SECT-ANGLE	2	24	SMS0000190	#8 X 1/2" PAN HD SH METAL SCREW	2
15	09416918	WHIZ NUT - 1/4" NC PLATED	37	25	SHD0020836	FEED HOUSE HOOD-COMPL	1
16	903288	RH SIDE SHD OVER P/U REAR SECT	1	26	SHD0020837	P/UP SHIELD-FR-SECT-COMPL	1
	FD00007114	. DECAL;D; FREEMAN (5 X 36 RED)	1	27	SHD0020838	SHIELD OVER P/UP-REAR SECT	1
17	HNG0020856	P/U HOOD HNG-71-1/2 STNLS	1	28	WAS0750017	FIBER WASHER 1/4" ID X .032	37
18	RIV0000606	SS RIVET-3/16" X 3/8"	72	29	SHD037322B	FRONT P/U SHIELD,UPPER SECT	1

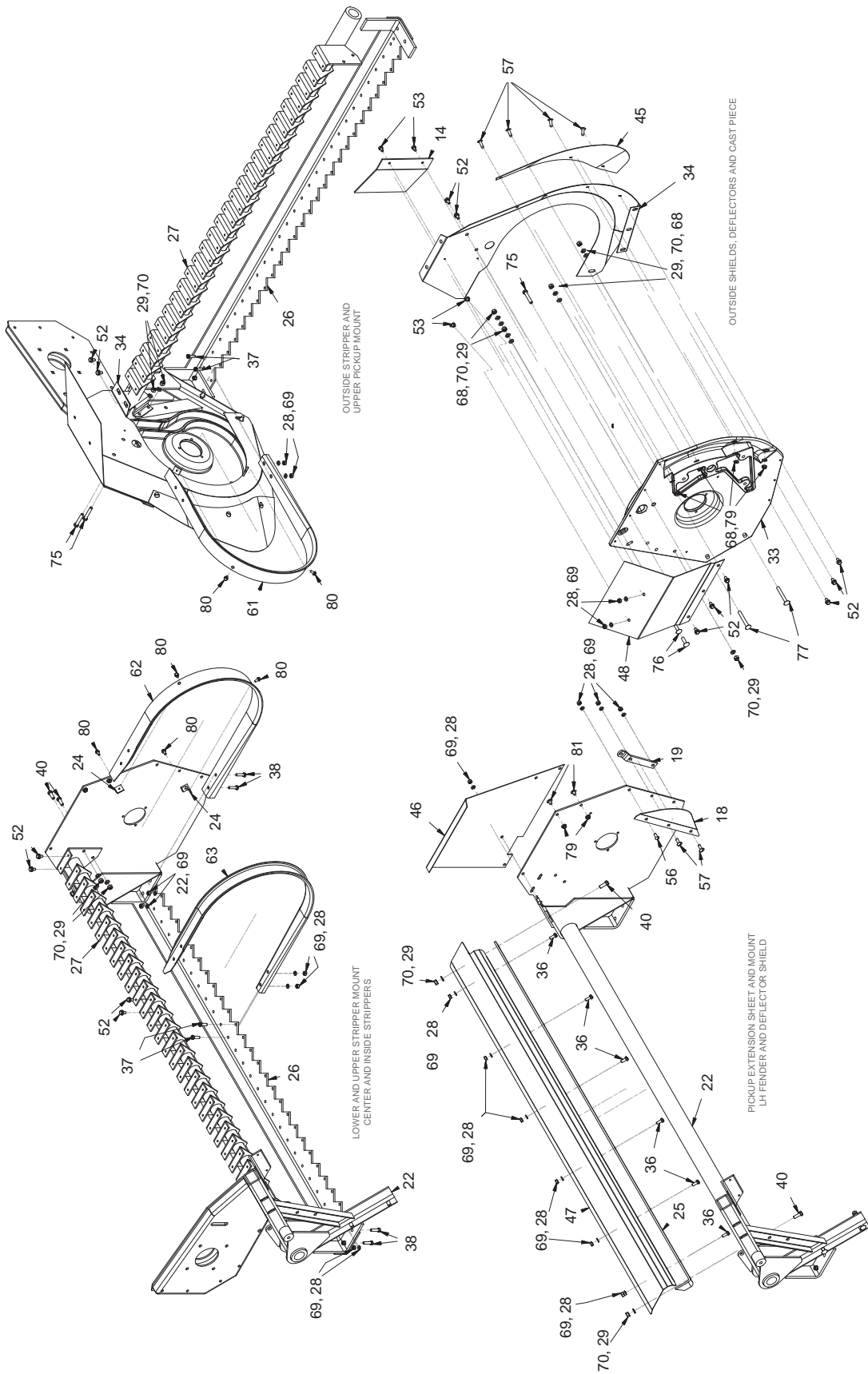
FEEDER HOUSE



FEEDER HOUSE

REF NO.	PART NO.	DESCRIPTION	QTY. USED	REF NO.	PART NO.	DESCRIPTION	QTY. USED
1	FH00020212	MAIN FEED HOUSE CHM 15" & 16"	1	35	237567	NUT, ESNA; 3/8 NC GR8	1
2	CVR0020465	P/U TOP FRONT COVER 15" & 16"	1	36	F000007276	1" FERRULE	1
3	R13811173	NUT, HEX	14	37	223428	WASHER, FLAT 5/16	12
4	223871	WASHER, LOCK	14	38	R13811020	CAPSCREW; 5/16 UNC X 2 1/2 HX HD	2
5	R13811804	CAPSCREW; 3/8 UNC X 1 SOC HD	3	39	SCC0040004	CAPSCREW; NC 7/16 X 1-1/2	1
6	FH00020867	16" FEED HOUSE BACK SHEET	1	40	200603	WASHER, LOCK 7/16 REG HEL SPR	1
6	FH00021633	15" FEED HOUSE BACK SHEET	1	41	R13803713	NUT, HEX; 7/16 NC G8	1
7	FH00020905	16" BACK SHEET EXTENSION PLATE	1	42	R13812513	WASHER, LOCK 5/16	12
7	FH00021018	15" BACK SHEET EXTENSION PLATE	1	43	223428	WASHER, FLAT 5/16	12
8	FH00020987	16" AUGER TROUGH EXT ASSY	1	44	R13811512	NUT, HEX; 5/16 NC GR5	12
8	FH00020988	15" AUGER TROUGH EXT ASSY	1	45	00271609	CAPSCREW; NC 3/4 NC X 1 3/4 GR5	1
9	F000007145	F/HOUSE BOTTOM WEAR PLT 16"	1	46	R13812518	WASHER, LOCK; 3/4	1
9	PLT0028360	F/HOUSE BOTTOM WEAR PLT 15"	1	47	235208	NUT, HEX; 3/4 UNC	1
10	F000006410	SPACER	2	48	00179805	CAPSCREW; 1/4 NC X 2 GR5	2
11	FH00020198	PLATE,BTM; 70" P/U FEEDER HOUSE	1	49	SMT0001001	MACH SCREW; NC TH 1/4 X 3/4	16
12	FH00004907	PLATE ,END;FEEDER HOUSE, 15" & 16"	1	50	223588	NUT, ESNA; 5/16 NC GR5	14
13	902681	END; FEEDER HOUSE COVER	1	51	SMTS001001	MACH SCREW; NC TH 1/4 NC X 3/4	16
14	SPC036500B	PLATE, SUPORT	1	52	16378W	CAPSCREW; 1/4 UNC X 5/8	7
15	SPC0031363	PLATE, SPACER	A/R	53	R13811443	WASHER, FLAT 1/4	7
16	SUP0018768	SUPPORT WLDMT	1	54	201605	CAPSCREW; 3/8 NC X 1 1/4 GR5	2
17	F000007394	PICKUP STOP	A/R	55	223427	WASHER, FLAT 3/8	5
18	R13811015	CAPSCREW; 5/16 UNC X 1 1/4 HX HD	2	56	234135	WASHER, LOCK 3/8	5
19	223655	CAPSCREW; 5/16 NC X 1 GR5	13	57	R13809551	NUT, HEX; 3/8 NC GR5	5
20	239519	WASHER, FLAT 1/2	2	58	223453	NUT, HEX; 3/8 NF GR5	1
21	GRD035979D	GUARD ANGLE ASSEMBLY	1	59	00179824	CAPSCREW; 5/16 NC X 1 3/4 GR5	3
22	GRD036020E	GUARD PIPE - OUTSIDE	1	60	037X007C8	CAPSCREW; 3/8 X 3/4 NC PLN GR8	3
23	GRD036019E	CENTER GUARD PIPE	1	61	SMT0002003	MACH SCREW; 5/16 NC X 2 TRUSS HD	2
24	GRD036018E	L.H. GUARD PIPE	1	62	SMT0000202	MACH SCREW; 5/16 NC X 1 TRUSS HD	2
25	F000007159	CENTER HAY HOLD DOWN	1	63	00114672	CAPSCREW; 3/8 NC X 1 GR5	3
26	F000007160	BAR, HAY HOLD DOWN	1	64	18498W	CAPSCREW; 5/16 UNC X 1 1/4 HX HD	2
27	SUP0018768	PICKUP GUARD PIPE SUP	1	65	201607	CAPSCREW; 3/8 NC X 1 1/2 GR5	1
28	05-130	SPACER	1	66	09411507	WHIZ NUT; 3/8 NC GR5	3
29	SPG0007095	HOOD LATCH SPRING	1				
30	SHD0007096	FEEDER HOUSE HOOD LATCH	1				
31	F000008264	RUBBER BUMPER	1				
32	F000001563	CATCH FOR HOOD	1				
33	F000007275	ROLL PIN 1/2" X 2"	2				
34	F000000281	SPRING F/FEEDARM LATCH	1				

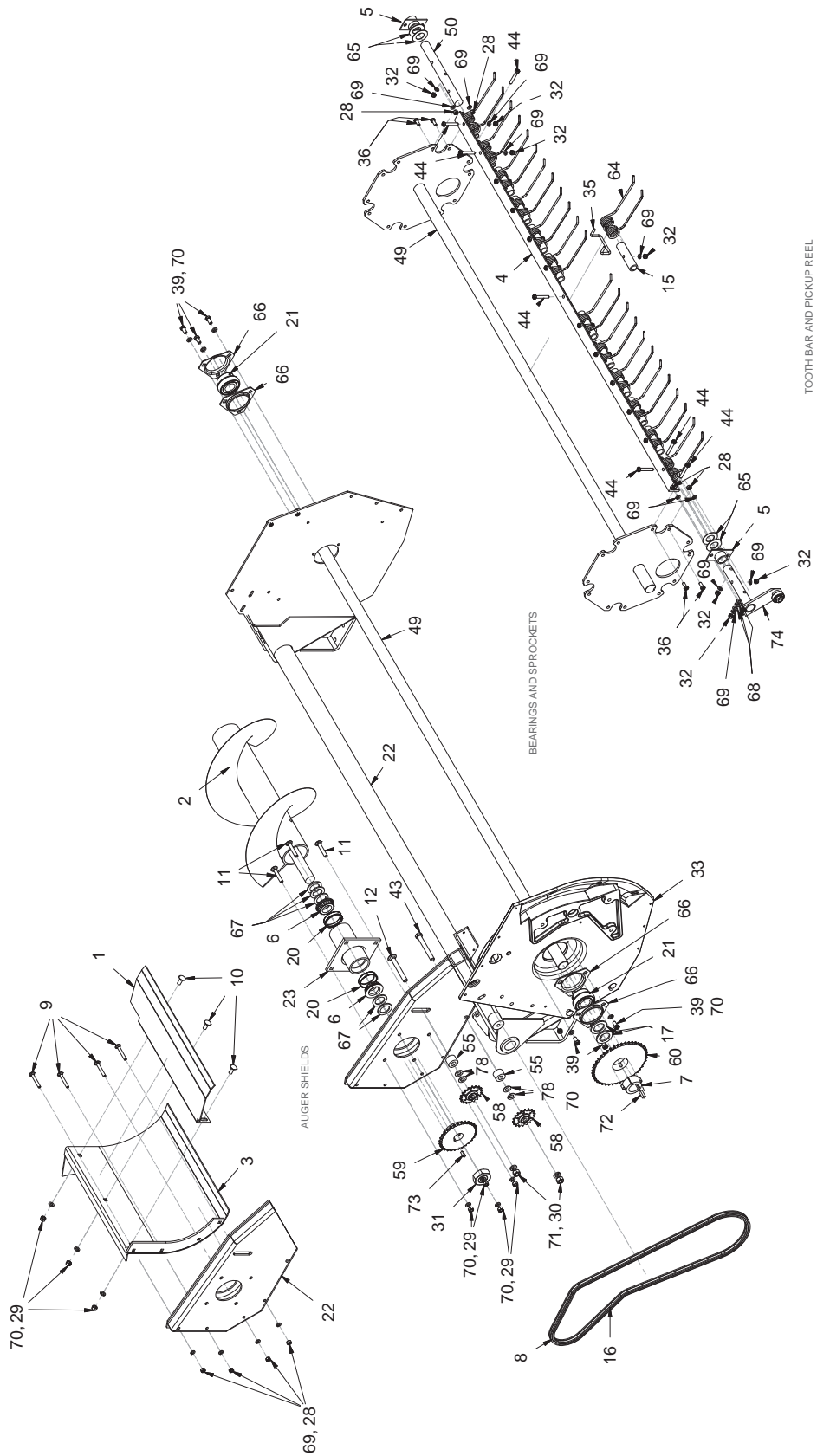
PICKUP ASSEMBLY



PICKUP ASSEMBLY

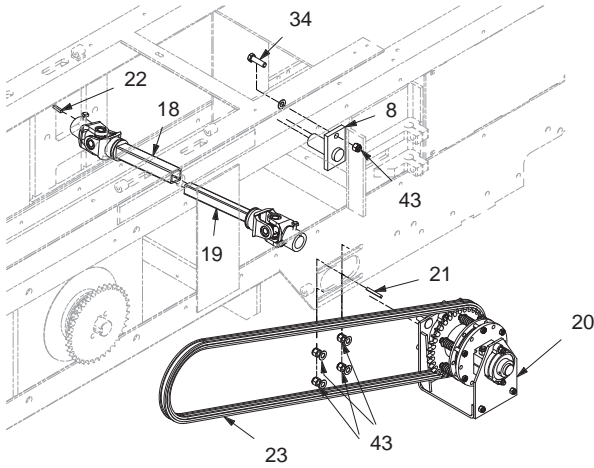
REF NO.	PART NO.	DESCRIPTION	QTY. USED	REF NO.	PART NO.	DESCRIPTION	QTY. USED
	PCYSPEC370	PICKUP ASSY,SUPER SWEEP		39	162572W	. CAPSCREW; 3/8 UNC X 3/4 HX HD	6
1	AUG0020830	. PLATE,SCREWAPER	1	40	Y17C-0616	. CAPSCREW; 3/8 UNC X 1 HX HD	4
2	AUG0020974	. AUGER WELDMENT	1	43	R13811085	. CAPSCREW; 1/2 UNC X 4 HX HD	1
3	AUG0022358	. TROUGH WELDMENT,AUGER	1	44	221475W	. CAPSCREW; 5/16 UNF X 2 HX HD	96
4	BAR0033189	. ANGLE	6	45	SHD0006253	. R. H. FENDER FLARE-60"+70" P/U	1
5	BRG0006219	. BEARING ASSEMBLY	12	46	SHD0011309	. PLATE,LH	1
6	BRG0067000	. BEARING	2	47	SHD0020829	. PLATE,EXT	1
7	BSH0001610	. PICKUP AUGER BUSH 1-3/8" BORE	1	48	SHD0020832	. PLATE,RH	1
8	CHN0040125	. CHAIN - PICKUP CHAIN-370	1	49	SHF0018480	. SHAFT WELDMENT,PICKUP REEL	1
9	CRB3130225	. BOLT, CARR; 5/16 NC X 2 1/4 GR5	4	50	SHF0033356	. SHAFT,PIVOT	6
10	CRB3750100	. BOLT, CARR; 3/8 NC X 1	3	52	SMS0000198	. WHIZ BOLT 5/16 X 1/2 NC-PLATED	62
11	CRB3750225	. BOLT, CARR; 3/8 NC X 2 1/4	4	53	SMTS002000	. T.H.M.S.-5/16 X 1/2 STAINLESS	4
12	CRB5000400	. BOLT, CARR; 1/2 NC X 4 GR5	1	55	SPC0017669	. SPACER	2
14	DEF0022860	. PLATE,DEFLECTOR	1	56	246125	. CAPSCREW; 5/16 NC X 3/4 TRUSS HD	2
15	F000000101	. PICKUP FINGER GUIDE PIPE-SHORT	60	57	SMTS020002	. MACH SCREW 5/16 NC X 1 TRS HD	6
16	F000004073	. OFFSET LINK - RC 40	4	58	SPK0002318	. IDLER SPROCKET F/ 370 PICKUP	2
17	R616841	. MACH BUSH	2	59	SPK0040030	. SPROCKET,PICKUP AUGER 370	1
18	F000007151	. PLATE,LH	1	60	SPK0040045	. SPK-PICKUP AUGER -"REV TAPER"	1
19	F000007194	. BRACKET	1	61	STR0033500	. PLATE,STRIP	1
20	F000008011	. BEARING CUP	2	62	STR0033501	. PLATE,STRIPPER	1
21	F000008380	. SPHERICAL INSERT BRG	2	63	STR0033502	. PLATE,STRIPPER	25
22	901578	. PICKUP FRAME WELDMENT	1	64	TTH0033171	. PICKUP TOOTH	78
23	HSN0027996	. AUGER BRG HOUSING 70"P/U.11-93	1	65	WAS0011459	. TOOTH BAR BRG WASHER	24
24	MNT0011313	. ANGLE,MOUNTING	2	66	F000008383	. FLANGETTE-NO ZERK	4
25	MNT0023007	. BAR,MOUNTING	1	67	WAS0015783	. MACH BUSH	5
26	MNT0033556	. MOUNT,STRIPPER,PICKUP,LOWER	1	68	223428	. FLAT WASHER; 5/16	11
27	MNT0033557	. MOUNT,STRIPPER,PICKUP,TOP	1	69	R13812513	. WASHER, LOCK; 5/16	192
28	R13811512	. NUT, HEX; 5/16 NC GR5	95	70	234135	. WASHER, LOCK; 3/8	24
29	R13809551	. NUT, HEX; 3/8 NC GR5	19	71	234665	. WASHER, LOCK; 1/2	2
30	221711W	. NUT, HEX; 1/2 UNC	2	72	ZZ00000428	. KEY	1
31	219924	. NUT, ESNA; 1 1/4 NF GR5	1	73	ZZ00000418	. KEY	1
32	NFX0000313	. FLEX-LOCK NUT 5/16	96	74	CAM0033355	. LEVER ASSEMBLY,CAM	6
33	900928	. PICKUP CAM	1	75	R13811039	. CAPSCREW; 3/8 UNC X 2 HX HD	3
34	PCY0020861	. R. H. FENDER ASSEMBLY -P/U 370	1	76	CRB3750013	. BOLT, CARR; 3/8 NC X 1 1/4	2
35	PCY0033352	. SPACER	78	77	CRB3750300	. BOLT, CARR; 3/8 NC X 3	2
36	R13801791	. 5/16 UNC X 3/4 HX HD	30	78	222615	. WASHER, FLAT; 1/2	4
37	R13811014	. CAPSCREW; 5/16 UNC X 1 HX HD	52	79	00273802	. NUT, SERRATED; 5/16 NC GR5	6
38	R13811015	. CAPSCREW; 5/16 UNC X 1 1/4 HX HD	4	80	SMS0000173	. BOLT, WHIZ; 1/4 NC X 1/2	6
				81	SMT0002000	. MACH SCR; 5/16 NC X 1/2 TRUSS HD	2

PICKUP ASSEMBLY

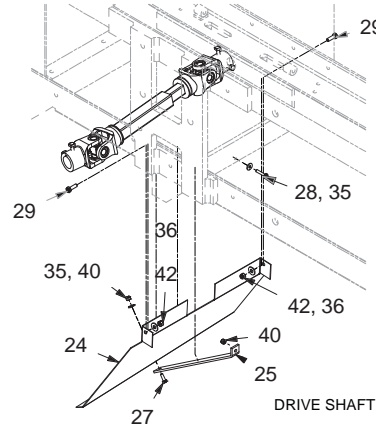


INTENTIONALLY LEFT BLANK

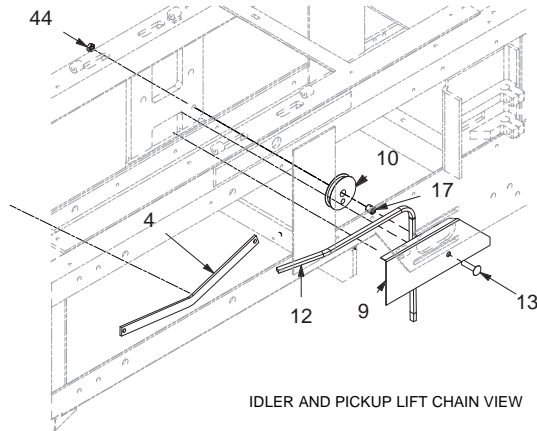
PICKUP LIFT AND MOUNTING ASSEMBLIES



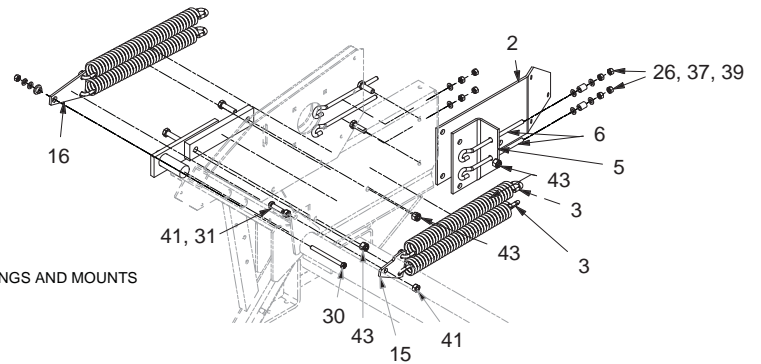
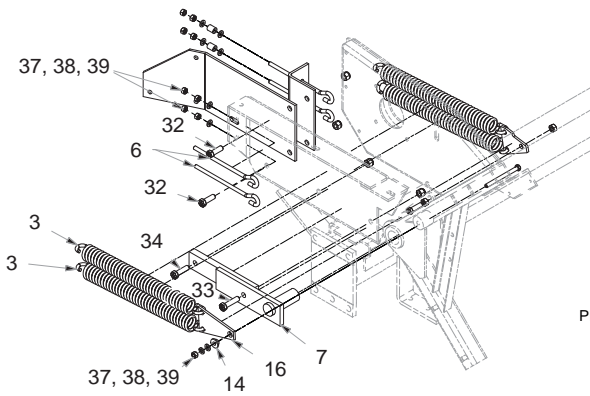
PICKUP CHAIN DRIVE AND SHAFT VIEW



DRIVE SHAFT SHIELD VIEW



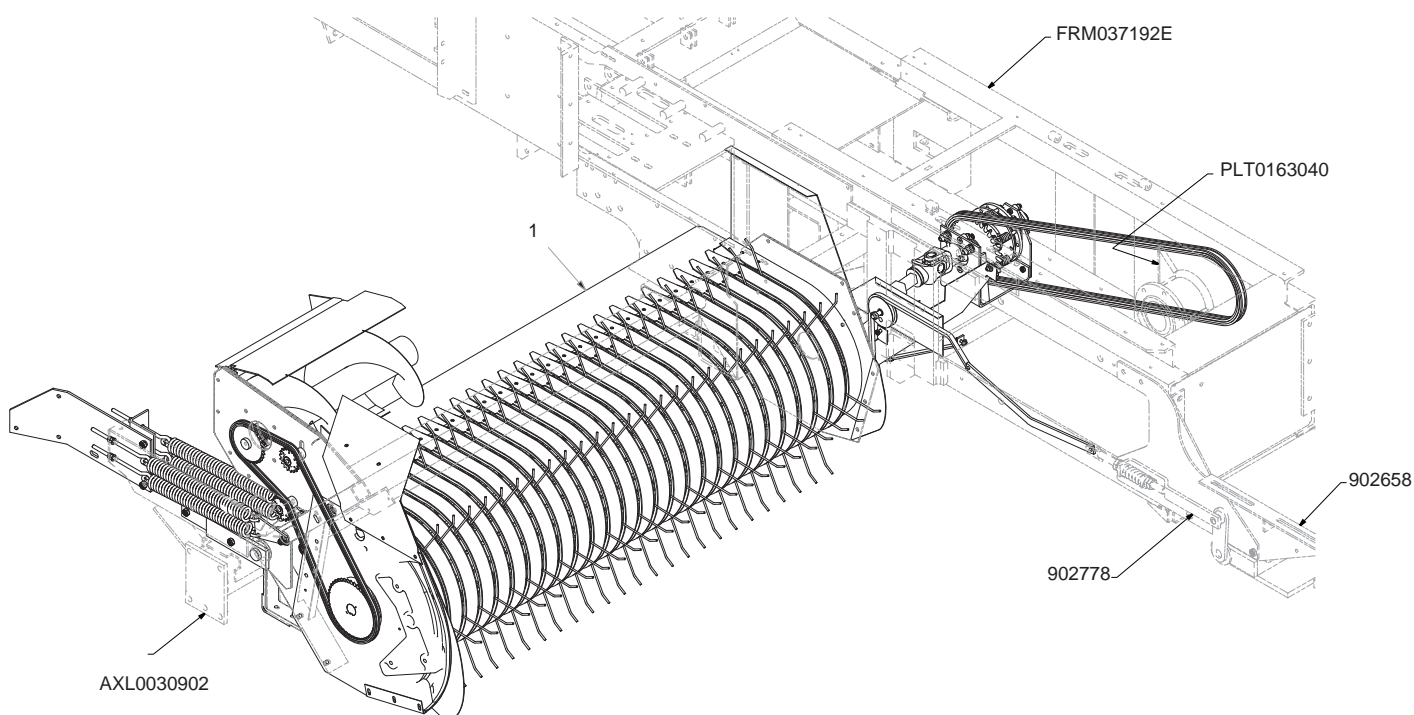
IDLER AND PICKUP LIFT CHAIN VIEW



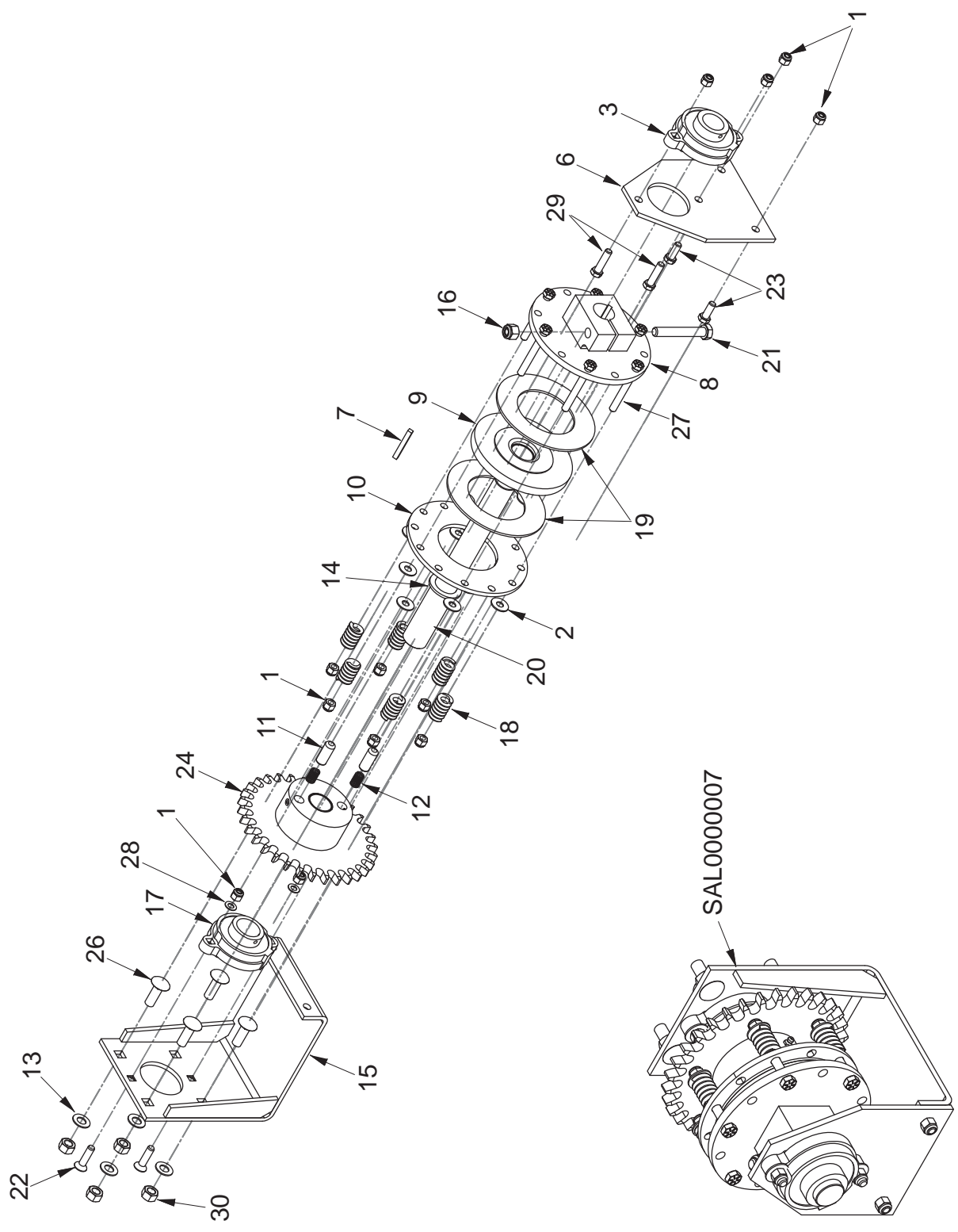
PICKUP SPRINGS AND MOUNTS

PICKUP LIFT AND MOUNTING ASSEMBLIES

REF NO.	PART NO.	DESCRIPTION	QTY. USED	REF NO.	PART NO.	DESCRIPTION	QTY. USED
1	PCYSPEC370	PICKUP ASSEMBLY,SUPER SWEEP	1	24	F000008162	PLATE,SHIELD	1
2	BKT0022481	BRACKET,RH	1	25	F000008163	PLATE,SHIELD	1
3	F000007154	EXT SPRING F/PU BALANCE	4	26	F000006410	SPACER	2
4	LNK0016320	LINK	1	27	224120W	CAPSCREW; 1/4 UNC X 3/4 HX HD	1
5	MNT0011400	PLATE,MOUNTING	1	28	R13801782	CAPSCREW; 1/4 UNC X 1 1/4 HX HD	1
6	F000000096	EYEBOLT	4	29	R13811014	CAPSCREW; 5/16 UNC X 1 HX HD	2
7	MNT0022379	MOUNTING WELDMENT,RH	1	30	R13801824	CAPSCREW; 3/8 UNC X 4 1/2 HX HD	1
8	HGR0022222	PICKUP HANGER WELDMENT,LH	1	31	134328W	CAPSCREW; 7/16 UNC X 1 1/2 HX HD	1
9	SHD0014244	PLATE,SHIELD	1	32	200454W	CAPSCREW; 1/2 UNC X 1 1/2 HX HD	2
10	IDL0016315	PICKUP CHAIN IDLER F/370	1	33	R13811077	CAPSCREW; 1/2 UNC X 2 HX HD	1
11	LNK0000523	CONNECTING LINK - BL523	2	34	221569W	CAPSCREW; 1/2 UNC X 1 3/4 HX HD	2
12	CHN0016368	CHAIN	1	35	R13811443	WASHER, FLAT; 1/4	2
13	Y25G-0832	CAPSCREW; 1/2 UNC X 2 BTN HD	1	36	223428	WASHER, FLAT; 5/16	2
14	F000000440	FERRULE	1	37	223427	WASHER, FLAT; 3/8	7
15	F000007156	PLATE,SPRING	1	38	234135	WASHER, LOCK; 3/8	1
16	PLT0022382	PICKUP LIFT SPRING PLATE -270/370	1	39	R13809551	NUT, HEX; 3/8 NC GR5	9
17	F000007607	BEARING, INNER RACE	1	40	235620	NUT, ESNA; 1/4 NC GR8	2
18	F000008336	SHAFT, DRIVE	1	41	R13803713	NUT, HEX; 7/16 NC G8	2
19	F000008337	SHAFT, DRIVE	1	42	223588	NUT, ESNA; 5/16 NC GR5	2
20	SAL0000007	DRIVE CHAIN ASSEMBLY,P/U	1	43	223587	NUT, ESNA; 1/2 NC GR8	9
21	48688	KEY	1	44	NEJ0000500	NUT, ESNA; 1/2 NC GR8	1
22	ZZ00000445	KEY	1				
23	CHN0060139	PICKUP DRIVE CHAIN F/270/370	1				



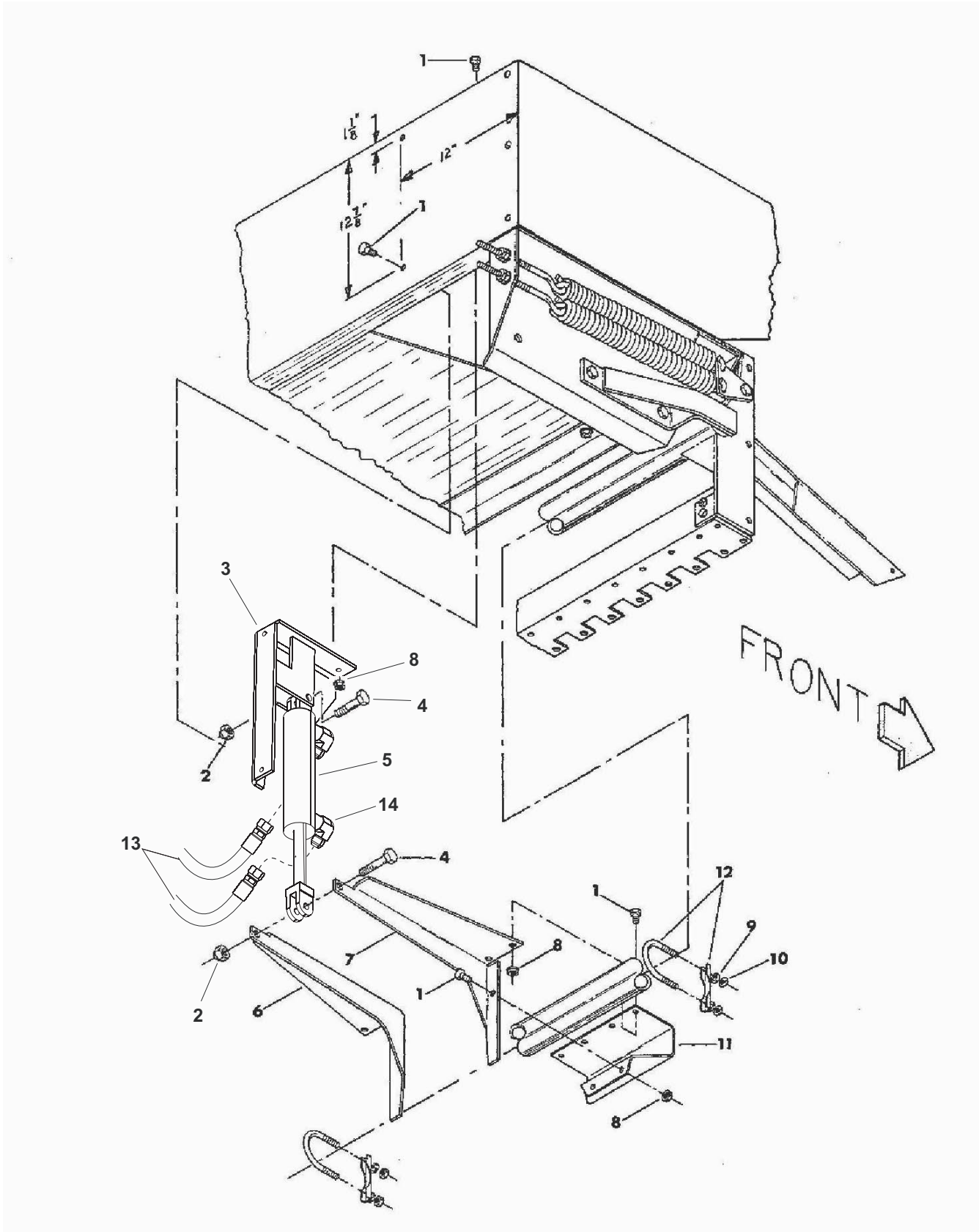
PICKUP CHAIN DRIVE



PICKUP CHAIN DRIVE

REF NO.	PART NO.	DESCRIPTION	QTY. USED	REF NO.	PART NO.	DESCRIPTION	QTY. USED
	SAL0000007	DRIVE CHAIN ASSEMBLY,P/U		15	F000008090	. BRACKET WELDMENT	1
1	237316	. NUT, ESNA; 3/8 NF GR8	12	16	223587	. NUT, ESNA; 1/2 NC GR8	1
2	223427	. WASHER, FLAT; 3/8	10	17	F000007063	. BEARING, SHAFT	1
3	BRG0000202	. 1-1/4" FLANGE BRG F/370 PU DRIVE	1	18	F000001797	. CLUTCH PLATE COMP SPRING	6
6	F000008091	. BEARING MNT PLATE-PICKUP DRIVE	1	19	F000001793	. FRICTION DISC F/PTO CLUTCH	2
7	48688	. KEY	1	20	SHF0021219	. DRIVESHAFT	1
8	CLH0017773	. ADAPTER WELDMENT	1	21	R13811082	. CAPSCREW; 1/2 UNC X 3 1/4 HX HD	1
9	CLH0021222	. PLATE ASSEMBLY,P/U CLUTCH	1	22	PWB3751500	. BOLT, PLOW; 3/8 NC X 1 1/2 GR5	2
10	CLH0017849	. PLATE,DISC	1	23	16805W	. CAPSCREW; 3/8 UNC X 1 HX HD	2
11	F000001791	. PIN,CLUTCH	2	24	SPK0021220	. SPROCKET ASSEMBLY	1
12	F000001790	. COMPRESSION SPRING F/PTO CLTCH2	2	26	CRB5000125	. BOLT, CARR; 1/2 NC X 1 1/2 GR5	4
13	239519	. FLAT WASHER	4	27	221518W	. CAPSCREW; 3/8 UNC X 3 1/4 HX HD	6
14	ZZ00000228	. MACH BUSHING 1-7/8"X 1-1/4"10GA	1	29	00180122	. CAPSCREW; 3/8 NC X 1 GR5	2
				30	221712W	. NUT, HEX; 1/2 UNF	4

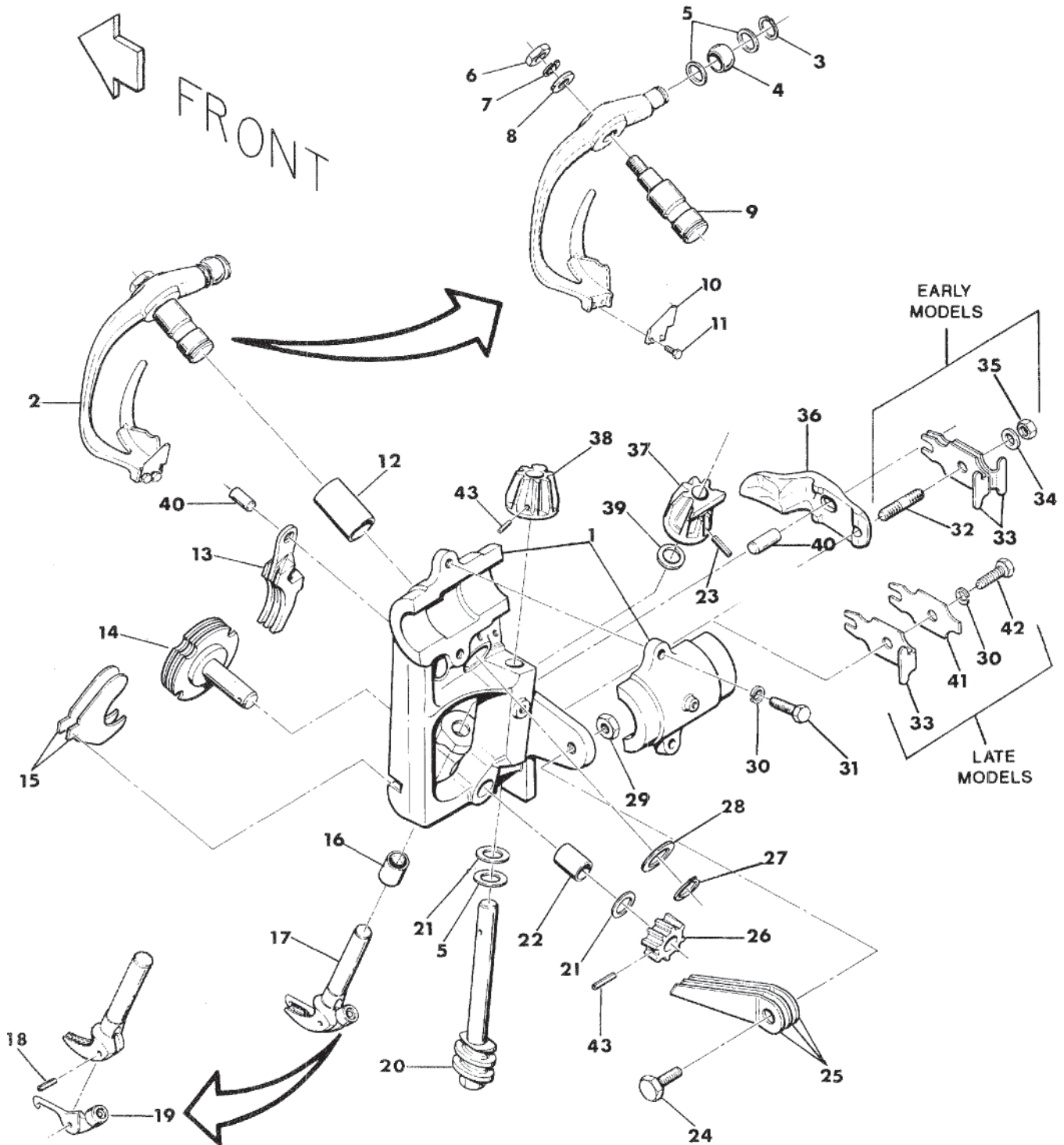
HYDRAULIC PICKUP LIFT ASSEMBLY



HYDRAULIC PICKUP LIFT ASSEMBLY

REF NO.	PART NO.	DESCRIPTION	QTY. USED
1	SMS0000184	BOLT, WHIZ; 5/16 NC X 3/4	9
2	223587	ESNA NUT NC 1/2	2
3	PLF0018168	ANC BKT P/U LIFT 16" CHAMBER	1
3	PLF0021082	ANC BKT P/U LIFT 14" CHAMBER	1
3	PLF0021088	ANC BKT P/U LIFT 15"CHAMBER	1
4	Y01C-0840	HEX HEAD CAP 1/2-13 X 2-1/2"GR5	2
5	F000006724	HYDRAULIC CYLINDER-P/U LIFT	1
6	PLF0820700	LEFT ELEC/HYD PICKUP LIFT ARM	1
7	PLF0820701	RIGHT ELEC/HYD PICKUP LIFT ARM	1
8	00273802	NUT, SERRATED; 5/16 NC GR5	9
9	R13812513	WASHER, LOCK; 5/16	4
10	R13811512	NUT, HEX; 5/16 NC GR5	4
11	PLF0008206	LIFT ARM BKT RLRC PICKUP LIFT	1
12	F000006804	EXHAUST CLAMP 2-1/4" STD DUTY	2
13	251611	HOSE ASSY	2
14	F000006638	MALE ELBOW 3/8 JIC X 1/4 NPT 90*	2

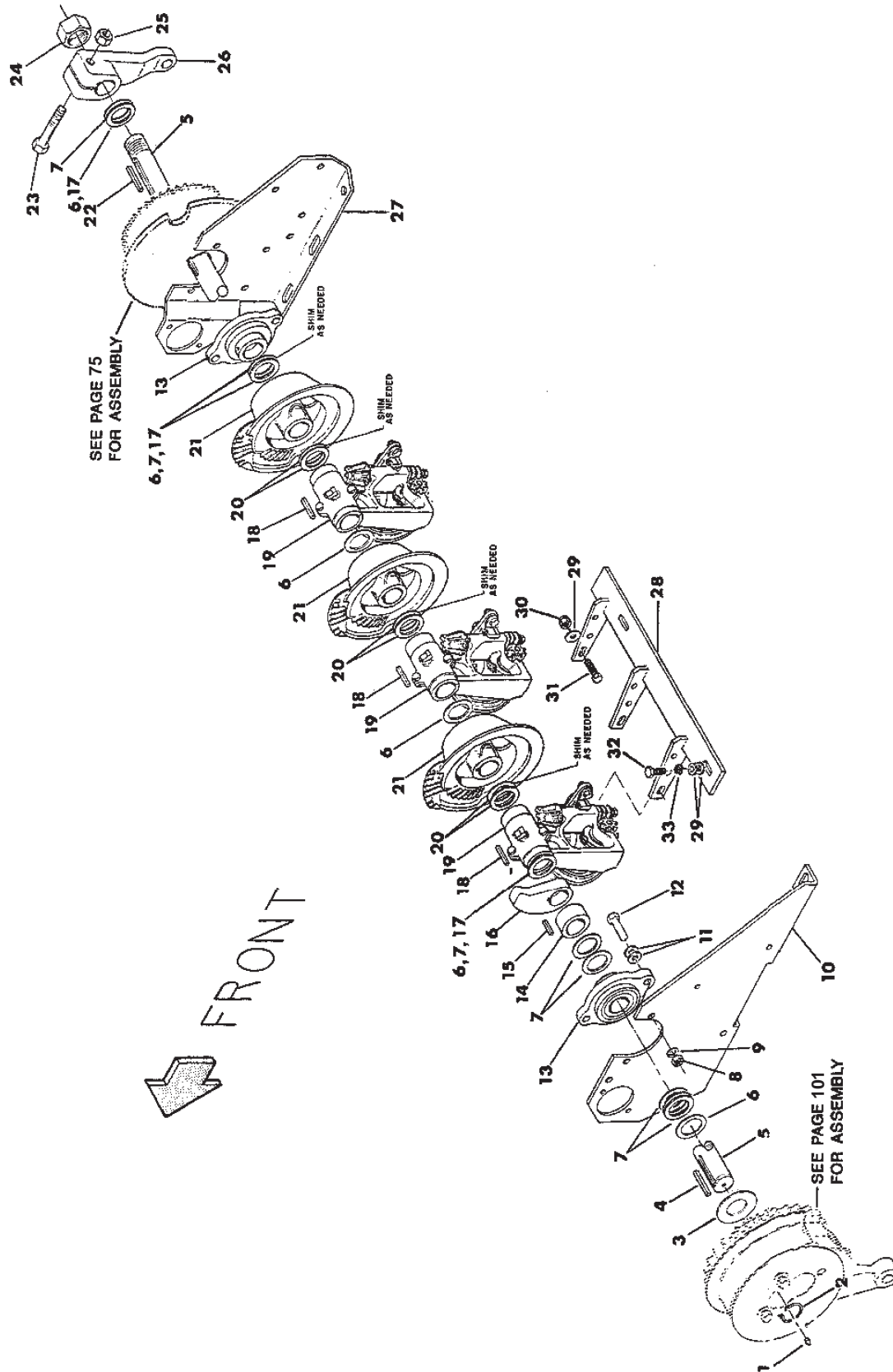
380 KNOTTER ASSEMBLY



380 KNOTTER ASSEMBLY

REF NO.	PART NO.	DESCRIPTION	QTY. USED	REF NO.	PART NO.	DESCRIPTION	QTY. USED
	KNT006006A	HEAD ASSY		21	F00000659	. 18 GA KNOTTER WORM WASHER	A/R
1	KNT0060060	. KNOTTER FRAME ONLY	1	21	F000001680	. 28 GA KNOTTER WORM WASHER	A/R
2	F000008050	. KNIFE ARM COMPLETE	1	21	RS00010500	. 5MM WASHER	A/R
3	F000008275	. SNAP RING F/KNIFE ARM ROLLER	1	22	RS00006003	. TWINE DISC BUSHING F/KNT60060	1
4	F000008274	. . ROLLER F/KNIFE ARM	1	23	253271	. SPIRAL PIN F/REF #37 253270	1
5	F000008280	. . 1 MM WASHER-WRM SHF & KNF ARM	3	24	Y09C-M1030	. CAPSCREW; M10 X 1.50 X 30	1
6	RS331112051	. . NUT F/KNIFE ARM PIN	1	25	F000008052	. TWINE HOLDER SPRING	3
7	RS20661120	. . LOCKWASHER F/KNIFE ARM PIN	1	26	F00007871	. TWINE HOLDER DISC PINION	1
8	F000007892	. . SPACER WASHER F/KNIFE ARM PIN	1	27	F000007976	. SNAP RING F/KNIFE ARM SHAFT	1
9	RS20637722	. . KNIFE ARM PIN (ONLY)	1	28	F000007860	. KNIFE ARM WASHER 25 X 20 X .5M	A/R
	RS206377212	KNIFE ARM PIN COMPLETE	1	29	NCHM010150	. HEX NUT 10M X 1.50 MC GR 8.8	1
10	F000008049	. . TWINE KNIFE	1	30	WLKM000080	. WASHER, LOCK; 8MM	A/R
11	F000007859	. . TWINE KNIFE SCREW	2	31	Y09C-M0825	. CAPSCREW; M8 X 1.25 X 25 HX HD	2
12	RS00602201	. KNIFE ARM BUSHING F/KNT60060	1	32	F000007948	. KNOT HOOK CAM ADJ SCREW	1
13	F000007868	. TWINE HOLDER	1	33	F000007947	. KNOTTER HOOK CAM ADJ SPRING	A/R
14	RS00006085	. TWINE DISC RETAINER	1	34	223428	. FLAT WASHER 5/16	1
15	F000007870	. TWINE DISC CLEANER	2	35	F000007949	. KNTR HOOK CAM ADJ SCREW-NUT	1
16	RS00006002	. BILL HOOK BUSHING F/KNT60060	1	36	F000008051	. KNOTTER HOOK CAM	1
17	RS00006015	. BILL HOOK STANDARD	1	37	253270	. HARDENED BILL HOOK PINION	2
		FOR SMALLER THAN 280 KNOT STRENGTH TWINE.		38	GER0007873	. HARDEND KNOTTER WORM PINION	1
	RS00006035	. BILL HOOK OPTION LARGER SIZE	A/R	39	F000008068	. SPACER F/BILL HOCK PIN - .020	A/R
		FOR 280 KNOT STRENGTH AND LARGER.		39	F000008069	. SPACER F/BILL HOOK PIN .035	A/R
18	RS00001514	. ROLL PIN(SPRING)F/RS6015 B- HOOK	1	40	RS03451926	. PIN F/BILL HOOK CAM & SPRING	2
19	RS00003786	. TRIGGER FOR RS0006015 BILL HOOK	1	41	SPG0025466	. KNT HOOK CAM ADJ SPRNG	A/R
20	F000007876	. KNT WORM & SHAFT (COMPL ONLY)	1	42	SCCM8025NP	. SELF-LOCK CS 8MM-1.25P X 25MM	1
21	F000000658	. 14 GA. KNOTTER WORM WASHER	A/R	43	RS05227344	. SPIRAL PIN F/KNOTTER GEARS	2
	900182	1 KNOTTER REBUILD KIT		900183	3 KNOTTER REBUILD KIT		
	INCLUDES:			INCLUDES:			
28	F000007860	KNIFE ARM WASHER	1	28	F000007860	KNIFE ARM WASHER	6
13	F000007868	TWINE HOLDER - PLATED	1	13	F000007868	TWINE HOLDER - PLATED	3
26	F000007871	TWINE HOLDER DISC WORM PINION	2	26	F000007871	TWINE HOLDER DISC WORM PINION	3
20	F000007876	KNOTTER WORM & SHAFT ASSEMBLY	1	20	F000007876	KNOTTER WORM & SHAFT ASSEMBLY	3
36	F000008051	KNOTTER HOOK CAM	1	36	F000008051	KNOTTER HOOK CAM	3
5	F000008280	1 MM WASHER-WORM SHF/KNF ARM	1	5	F000008280	1 MM WASHER-WORM SHF/KNF ARM	6
37	253270	HARDENED BILL HOOK PINION	1	37	253270	HARDENED BILL HOOK PINION	3
38	GER0007873	HARDENED KNOTTER WORM PINION	1	38	GER0007873	HARDENED KNOTTER WORM PINION	3
16	RS00006002	BILL HOOK BUSHING F/KNT60060	1	16	RS00006002	BILL HOOK BUSHING F/KNT60060	3
22	RS00006003	TWINE DISC BUSHING F/KNT60060	1	22	RS00006003	TWINE DISC BUSHING F/KNT60060	3
12	RS00602201	KNIFE ARM BUSHING F/KNT60060	1	12	RS00602201	KNIFE ARM BUSHING F/KNT60060	3
17	RS00006015	BILL HOOK COMP REPLACES F7861	1	17	RS00006015	BILL HOOK COMP REPLACES F7861	3
23	253271	SPIRAL PIN F/KNOTTER GEARS	1	23	253271	SPIRAL PIN F/KNOTTER GEARS	9
33	F000007947	KNOTTER HOOK CAM ADJ SPRING	1	33	F000007947	KNOTTER HOOK CAM ADJ SPRING	3
25	F000008052	TWINE HOLDER SPRING	2	25	F000008052	TWINE HOLDER SPRING	6
14	RS00006085	TWINE DISC RETAINER	1	14	RS00006085	TWINE DISC RETAINER	3
2	F000008050	KNIFE ARM COMPLETE	1	2	F000008050	KNIFE ARM COMPLETE	3

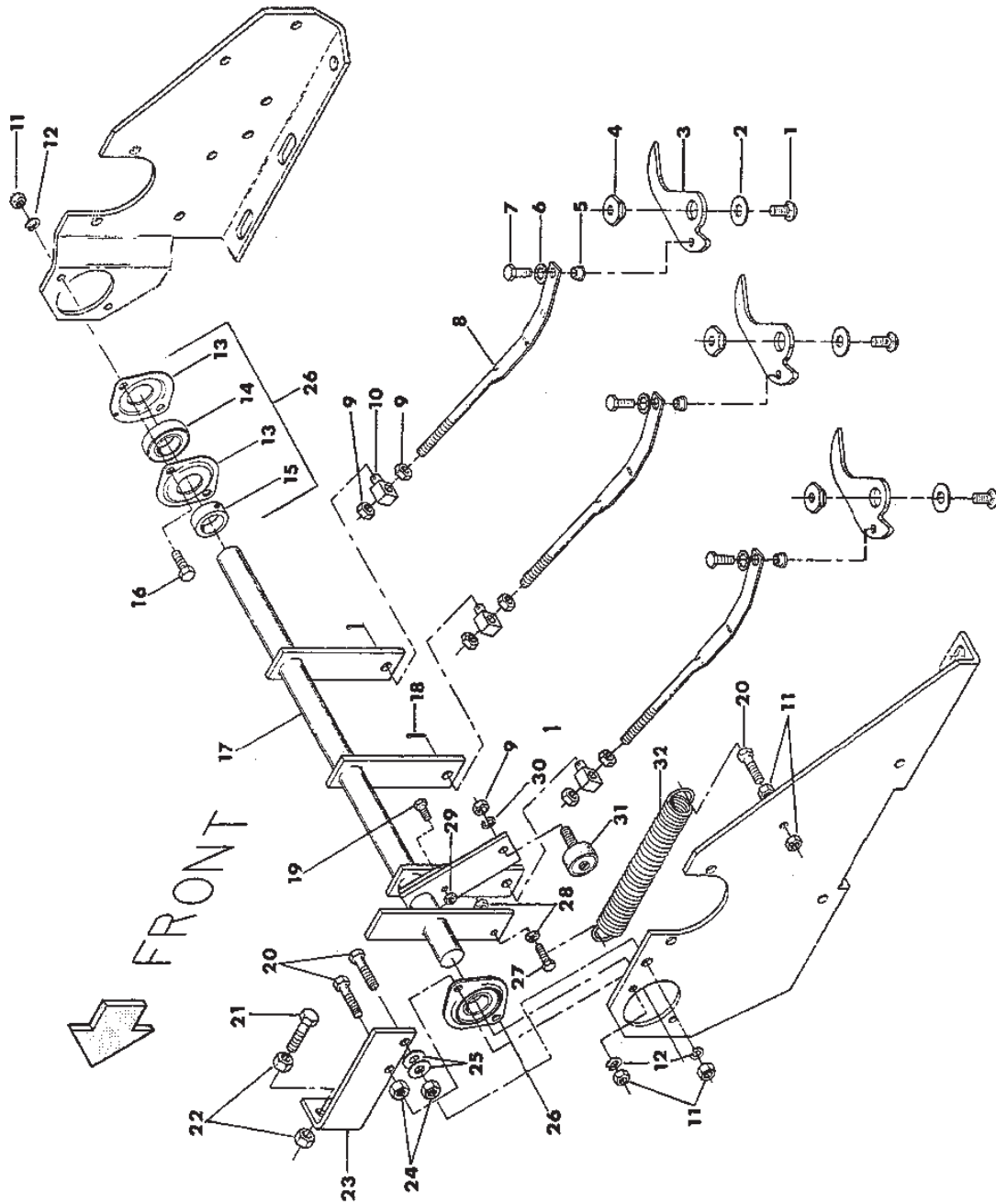
380 KNOTTER SHAFT ASSEMBLY



380 KNOTTER SHAFT ASSEMBLY

REF NO.	PART NO.	DESCRIPTION	QTY. USED	REF NO.	PART NO.	DESCRIPTION	QTY. USED
1	F000004089	ZERK 3/16" DRIVE STR 5/16" HEX	1	20	F000007977	SPCER WASHER 1-3/8" X 1-7/8" X .010A/R	
2	F000007988	SNAP RING F/KNOTTER SHAFT	1	20	F000007978	SPCER WASHER 1-3/8" X 1-7/8" X .005A/R	
3	F000004136	WASHER;A; .062 X 1.375 ID X 25 OD	1	20	SHM0000103	STEEL SHIM 1-3/8" X 1-7/8" X .015	A/R
4	F000007904	KEY;A; .375 SQ BAR X 1.875	1	20	SHM0000105	STEEL SHIM 1-3/8" X 1-7/8" X .015	A/R
5	F000008370	SHAFT	1	21	GER0006068	KNODULAR CAM GEAR	3
6	F000004161	MACH BUSH; 1 3/8 X 2 1/8 X 18GA	A/R	22	ZZ00000419	KEY; .375 SQ BAR X 3.5	1
7	F000004160	MACH BUSH; 1 3/8 X 2 1/8 X 14GA	A/R	23	R13801850	CAPSCREW; 1/2 NC X 3 GR8	1
8	R13803713	HEX NUT NC 7/16	4	24	NEJ0013750	ESNA JAM NUT NF 1-3/8"	1
9	223595	WASHER, LOCK; 7/16	4	25	223587	ESNA NUT NC 1/2	1
10	F000008369	LH MOUNT F/ 1-3/8" TWN KNOTTER	1	26	F000007461	NEEDLE YOKE DRIVE ARM	1
11	R13811448	FLAT WASHER; 7/16	8	27	F000008368	RH MOUNT F/ 1-3/8" TWN KNOTTER	1
12	SCC0040004	HEX HD CS NC 7/16 X 1-1/2	4	28	ANC0023975	KNOTTER HEAD ANCHOR ASSY 3TIE	1
13	F000007063	1-3/8" KNOTTER SHAFT BEARING	2	29	223427	WASHER, FLAT; 3/8	7
14	F000000099	1-3/8" SET COLLAR	1	30	237567	NUT, ESNA; 3/8 NC GR8	3
15	F000008054	KEY; .375 SQ BAR X .75	1	31	R13811037	HEX CAP SCREW 3/8-16 X 1-1/2"GR5	3
16	CAM0007180	CAM FORTWINE FINGER	1	32	233878	HEX HD CS 3/8-16 X 1-1/4	3
17	R616841	MACH BUSH; 1 3/8 X 2 1/8 X 10GA	A/R	33	234135	WASHER, LOCK; 3/8	2
18	F000004104	KEY;A; .375 SQ BAR X 1.5	3	34	234885	CAPSCREW; 1/2 NC X 1 GR8	6
19	KNT006006A	HEAD ASSY-W/F7661,F7869,F8049	3				
	KIT0008214	TWINE KNOTTER ASSY-NO CLUTCH OR BRAKE					
	TKN0007131	TWINE KNOTTER SHAFT ASSY-WITH CLUTCH & BRAKE ONLY					

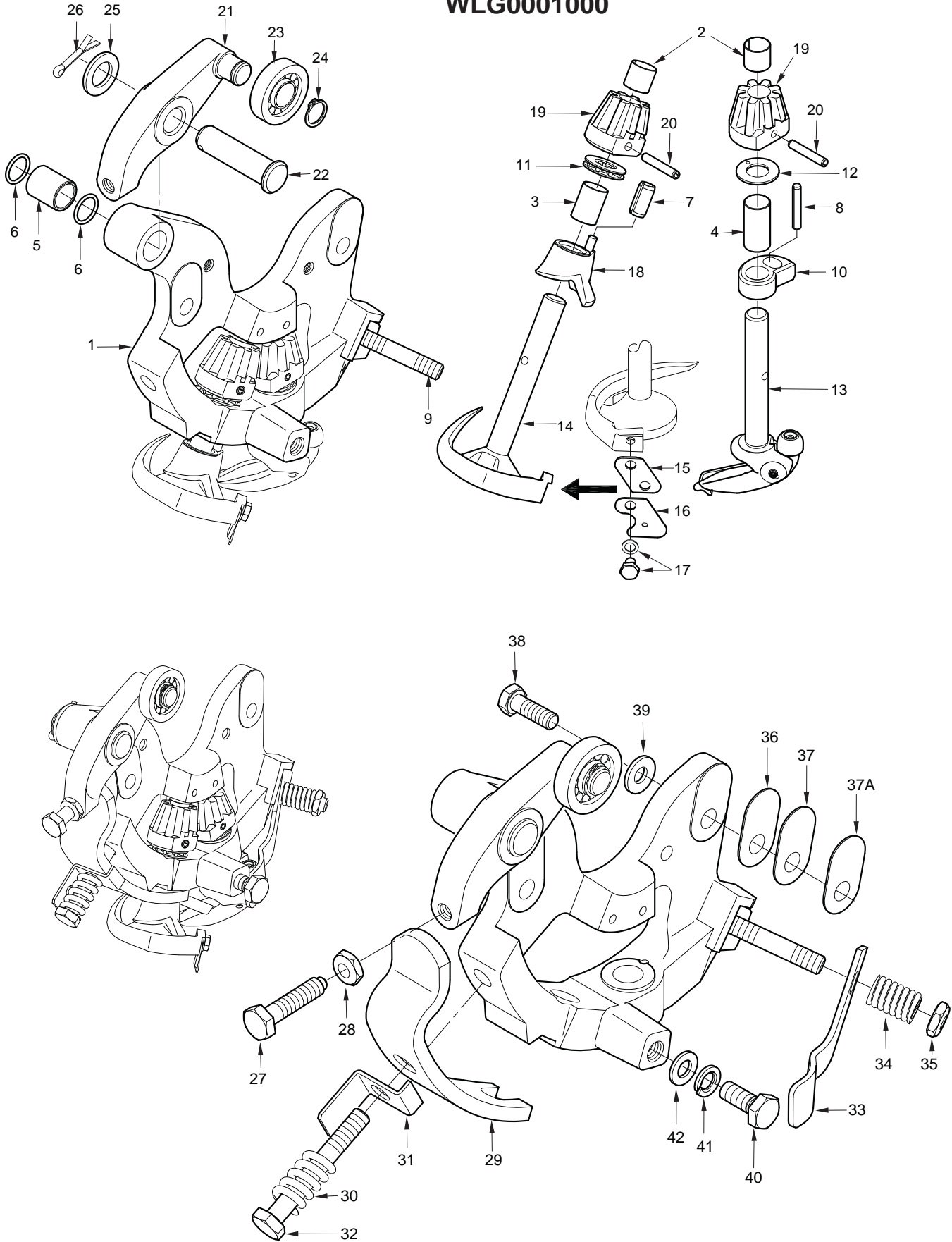
380 TWINE FINGER DRIVE ASSEMBLY



380 TWINE FINGER DRIVE ASSEMBLY

REF NO.	PART NO.	DESCRIPTION	QTY. USED	REF NO.	PART NO.	DESCRIPTION	QTY. USED
1	F000008330	TWINE FINGER BOLT 3/8" X 7/8" GR-8	3	17	F000007958	TWINE FINGER DRIVE SHAFT 3 TIE	1
2	F000008146	TWINE FINGER WASHER	3	18	00103385	PIN, COTTER; 1/8 X 1	3
3	F000008335	TWINE FINGER	3	19	18466W	CAPSCREW; 1/4 UNC X 1 1/4 HX HD	1
4	F000008144	TWINE FINGER BUSHING NUT	3	20	SCC0020004	5/16" X 1-1/2" NC HT CS PLATED	3
5	F000008147	TWINE FINGER DRIVE ROD BUSHING	3	21	SCC0000306	3/8-16 X 2	11
6	WIS0003125	WASHER, LOCK; 5/16 INT TOOTH3		22	R13809551	NUT, HEX; 3/8 NC GR5	2
7	SFC0000201	CAPSCREW; 5/16-24 X 3/4 GR 5	3	23	F000007959	TWINE FINGER STOP BRACKET	1
8	ROD0020044	TWINE FINGER DRIVE ROD	3	24	221711W	NUT, HEX; 1/2 UNC	2
9	223453	NUT, HEX; 3/8 NF GR5	7	25	223428	FLAT WASHER 5/16	2
10	F000000159	TWINE FINGER LINK BLOCK	3	26	F000008095	TWINE FINGER DR SHAFT BRG COMP	2
11	R13811512	NUT, HEX; 5/16 NC GR5	6	27	18466W	CAPSCREW; 1/4 UNC X 1 1/4 HX HD	2
12	R13812513	WASHER, LOCK; 5/16	4	28	221703W	NUT, HEX; 1/4 UNC	2
13	F000006004	FLANGETTE F/F8095	4	29	00274856	NUT, ESNA; 1/4 NC GR5	1
14	F000006003	BEARING FOR F8905	2	30	234135	WASHER, LOCK; 3/8	1
15	F000008384	LOCKING COLLAR F/F8095	2	31	F000001572	CAM FOLLOWER	1
16	223655	CAPSCREW; 5/16 NC X 1 GR5 HX ZC	2	32	F000001517	RETURN SPRING	1

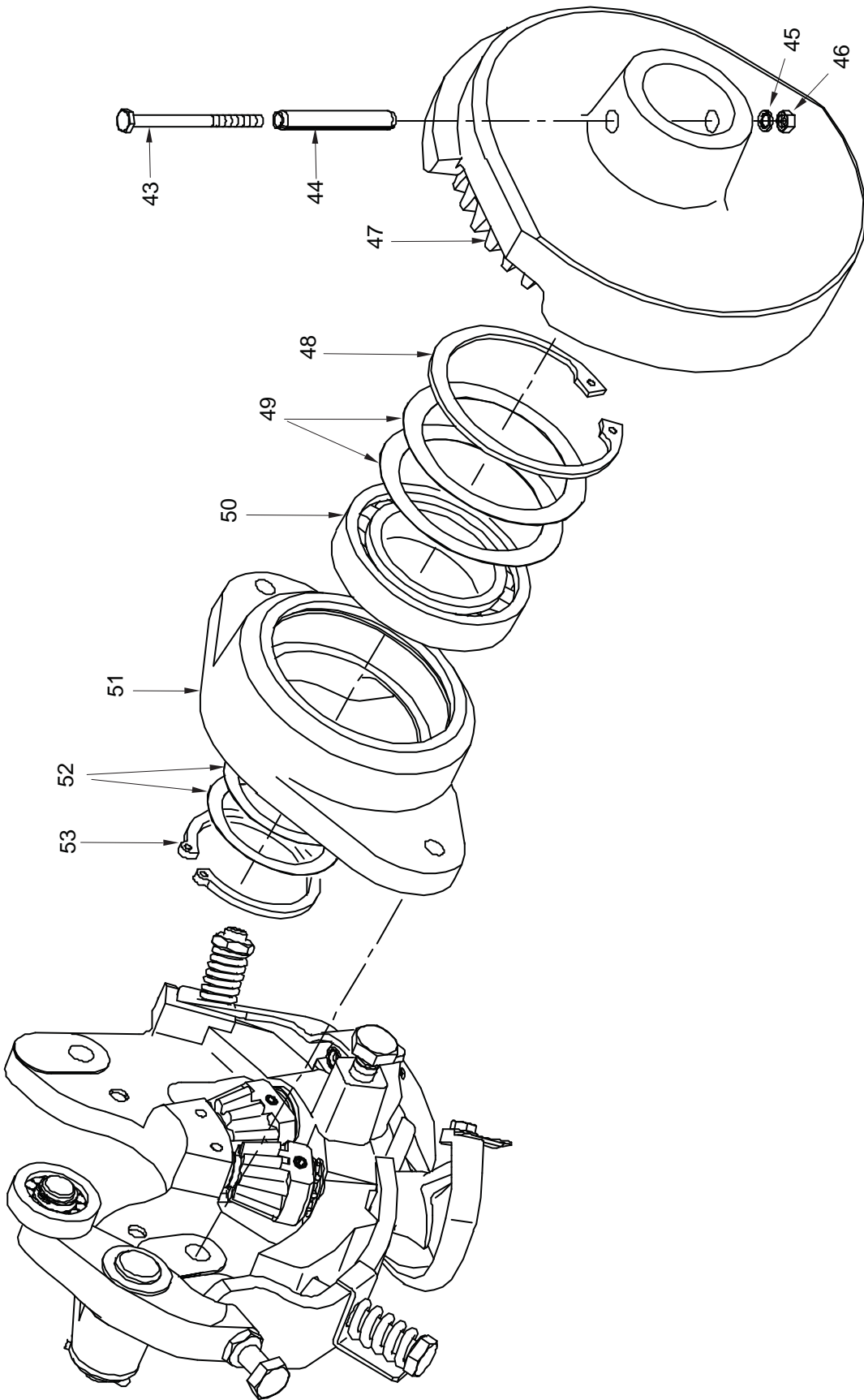
385 KNOTTER ASSEMBLY WLG0001000



385 KNOTTER ASSEMBLY WLG0001000

REF NO.	PART NO.	DESCRIPTION	QTY. USED	REF NO.	PART NO.	DESCRIPTION	QTY. USED
1	WLG0001010	KNOTTER FRAME, INCLUDES 2-10	1	28	WLG0001053	LOCK NUT FOR WLG0001052	1
2	WLG0001011	FRAME UPPER BUSHING	2	29	WLG0001056	TWINE HOLDER CLAMP LEAF SPRING	1
3	WLG0001012	FRAME BUSHING, TWINE HOLDER	1	30	WLG0001057	TYING PRESSURE SPRING	1
4	WLG0001013	FRAME BUSHING, BILLHOOK	1	31	WLG0001058	TYING BOLT ADJUSTMENT BRACKET	1
5	WLG0001014	FRAME BUSHING, TENSION LEVER	1	32	WLG0001059	TYING PRESSURE BOLT	1
6	WLG0001015	O-RING SEAL FOR WLG0001014	2	33	WLG0001019	TRIGGER PRESSURE PLATE	1
7	WLG0001016	TWINE CLAMP ROLL PIN	1	34	WLG0001020	TRIGGER PRESSURE SPRING	1
8	WLG0001017	BILL HOOK TRIGGER CAM ROLL PIN	1	35	WLG0001021	TRIGGER PRESSURE SPRING NUT	1
9	WLG0001018	BILL HOOK TRIGGER PRES SPG BOLT	1	36	WLG0001027	KNOTTER FRAME SHIM 0.3 MM	1
10	WLG0001022	BILL HOOK TRIGGER CAM	1	37	255311	KNOTTER FRAME SHIM 0.5 MM	1
11	WLG0001023	TWINE HOLDER THRUST BEARING	1	37A	255312	KNOTTER FRAME SHIM 0.2 MM	1
12	WLG0001024	BILL HOOK THRUST WASHER	1	38	WLG0001025	KNOT FRAME BOLT 10 X 30 MM	1
13	902755	BILL HOOK (COMPLETE)	1	39	WLG0001026	DISC SPRING 12 MM	1
14	WLG0001038	TWINE HOLDER WITH KNIFE	1	40	SCCM010025	KNOT FRAME MOUNTING BOLT	1
	255309	TWINE HOLDER ONLY	1	41	Y01E-M10	SPLIT LOCK WASHER M10	1
15	WLG0001039	TWINE HOLDER KNIFE	1	42	R1938872	WASHER 10 MM	1
16	WLG0001040	TWINE HOLDER KNIFE COVER	1	43	WLG0001064	HEX BOLT M5 x 75	1
17	902962	TWINE HOLDER KNIFE FASTENERS	1	44	WLG0001063	PIN, EXPANDING	1
	AC307924	WASHER M6		45	WLG0001062	LOCKWASHER, #5	1
	WLG0001041	HEX HEAD BOLT M6 X 6		46	R13811421	HEX NUT M5	1
18	WLG0001042	TWINE HOLDER CLAMP	1	47	WLG0001001	MAIN CAM GEAR (WITH BRG FLANGE)	1
19	WLG0001034	PINION	2		WLG0001002	MAIN CAM GEAR	1
20	254811	PINION ROLL PIN	2	48	WLG0001006	BEARING REAR SNAP RING	1
21	WLG0001046	LEAF SPG TENSION LEV (COMPLETE)	1	49	255315	BEARING REAR SHIM 0.1 MM	A/R
	WLG0001047	TENSION LEVER (WITH PIN ONLY)			255316	BEARING REAR SHIM 0.2 MM	A/R
	WLG0001048	TENSION LEVER		50	WLG0001005	BEARING	1
22	WLG0001049	TENSION LEVER PIN	1	51	WLG0001004	BEARING FLANGE	1
23	WLG0001050	TENSION LEVER ROLLER	1	52	WLG0001008	BEARING SHIM 0.2 MM	A/R
24	WLG0001051	SNAP RING	1		WLG0001009	BEARING SHIM 0.3 MM	A/R
25	WLG0001054	WASHER	1		255314	BEARING SHIM 1.0 MM	A/R
26	WLG0001055	COTTER PIN	1		255313	BEARING SHIM 0.1 MM	A/R
27	WLG0001052	BALE FORM TWN HLDR CLAMP BOLT	1	53	WLG0001006	BEARING SNAP RING	1

**385 KNOTTER ASSEMBLY CONTINUED
WLG0001000**



INTENTIONALLY LEFT BLANK

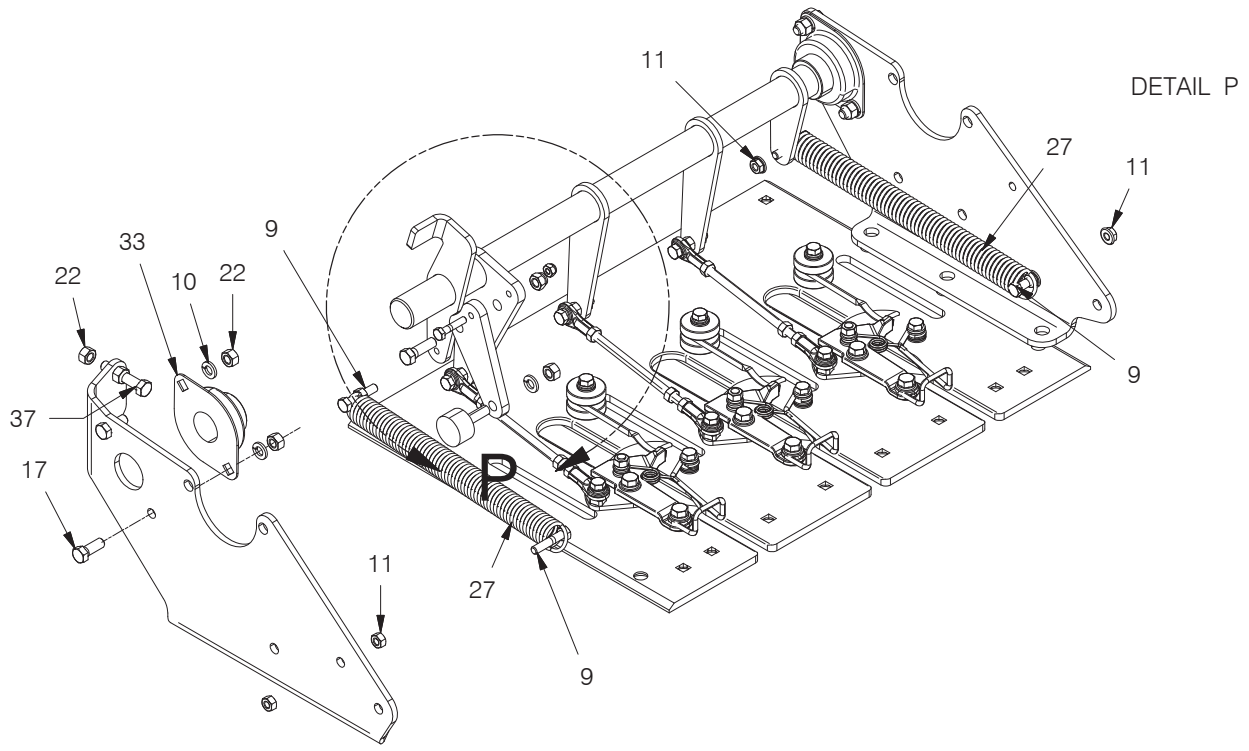
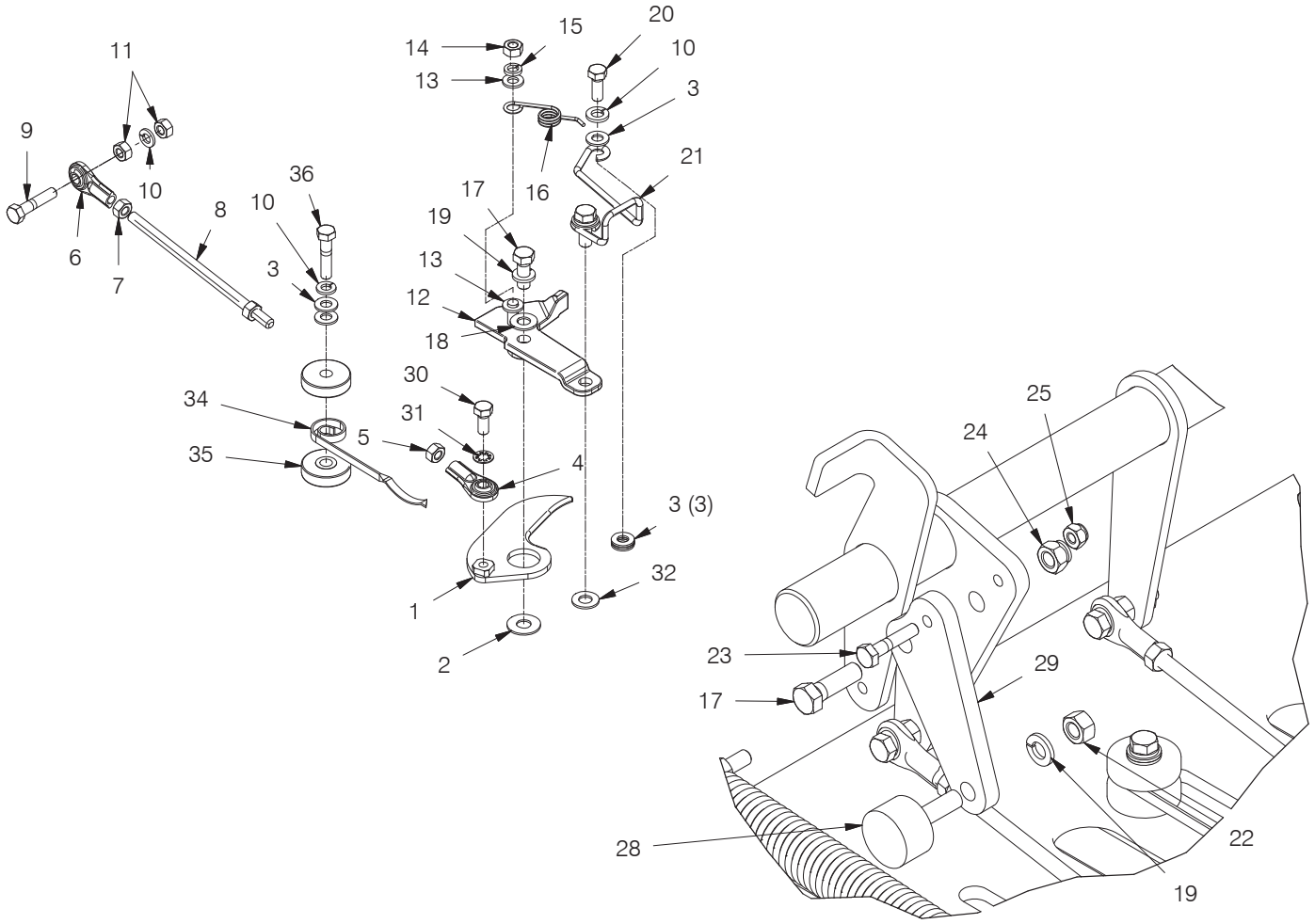
385 KNOTTER SHAFT ASSEMBLY



385 KNOTTER SHAFT ASSEMBLY

REF NO.	PART NO.	DESCRIPTION	QTY. USED	REF NO.	PART NO.	DESCRIPTION	QTY. USED
903809 KNOTTER ASSY- INCLUDES ITEM 14 TO 14 ON KNOTTER SHAFT							
1	MNT0001000	KNOTTER HEAD COMPLETE	3	25	223428	FLAT WASHER 5/16	1
2	MNT0033703	MOUNT, KNOTTER, LEFT	1	26	233972	CARR BOLT NC 5/16 X 1	3
3	MNT0033704	MOUNT, KNOTTER, RIGHT	1	27	SCCM610035	HEX HD CS 10M X 35MM MC	3
4	SHF0035600	SHAFT,KNOTTER	1	28	WLKM000100	LOCKWASHER; 10 MM	3
5	ZZ00000419	KEY; .375 SQ BAR X 3.5	1	29	R1938872	FLATWASHER; 10 MM	3
6	F000007461	NEEDLE YOKE DRIVE ARM	1	30	CAM0033569	CAM WLDMT;*B; TWINE FINGER	1
7	223587	ESNA NUT NC 1/2 - PLATED	1	31	WLG0001064	HEX BOLT M5 x 75	3
8	R13801850	CAPSCREW; 1/2 NC X 3 GR8	1	32	WLG0001063	PIN, EXPANDING	3
9	F000004160	MACH BUSH	AR	33	WLG0001066	SPRING WASHER A5	3
10	F000004161	MACH BUSH	AR	34	WLG0001065	HEX NUT M5 - WELGER KNOTTER	3
11	R13810879	CAPSCREW; 7/16 NF X 1 1/2 GR8	4	35	F000004136	WASHER; .062 X 1.375 ID X 25 OD	2
12	050X012C8	CAPSCREW; RH SIDE 1/2X1 1/4NC	3	36	F000007063	BEARING, SHAFT; LFT-22A	1
	050X015C8	CAPSCREW; LH SIDE 1/2X1 1/2NC	3	37	SHM037779B	SHIM;B; 20GA X 1.5 X 10.5	AR
13	234665	LOCK WASHER 1/2	6	38	R616841	MACH BUSH;A; 1 3/8 X 2 1/8 X 10GA	AR
14	F000007063	BEARING, SHAFT	2	39	239519	FLAT WASHER 1/2 USS	12
15	R13811448	FLAT WASHER 7/16	4	40	F000004089	ZERK 3/16 DRIVE STR 5/16 HEX	1
16	223595	WASHER, LOCK; 7/16	4	41	09416918	WHIZ NUT 1/4	2
17	R13803713	HEX NUT NC 7/16	4	42	SWI0000010	PROXIMITY SWITCH	1
18	ANC0033729	ANCHOR, KNOTTER	1	43	SMS0000302	6-32X 3/4 NC FH PHIL MACH SCR	2
19	221499W	CAPSCREW; 3/8 UNC X 1 1/4	2	44	MNT036623A	SWITCH MOUNT	1
20	223427	FLAT WASHER 3/8	6	45	F000008027	#6 LOCKWASHER	2
21	234135	WASHER, LOCK; 3/8	3	46	NCH0006320	HEX NUT NC 6-32	2
22	R13811512	HEX NUT NC 5/16	6	47	SCC0000106	HEX HD CS NC 1/4 X 2	1
23	R13812513	WASHER, LOCK; 5/16	6	48	STO0022419	BAR,STOP	2
24	BKT0033732	BRACKET, KNOTTER ANCHOR	3	49	BMP0004243	RUBBER BUMPER	2

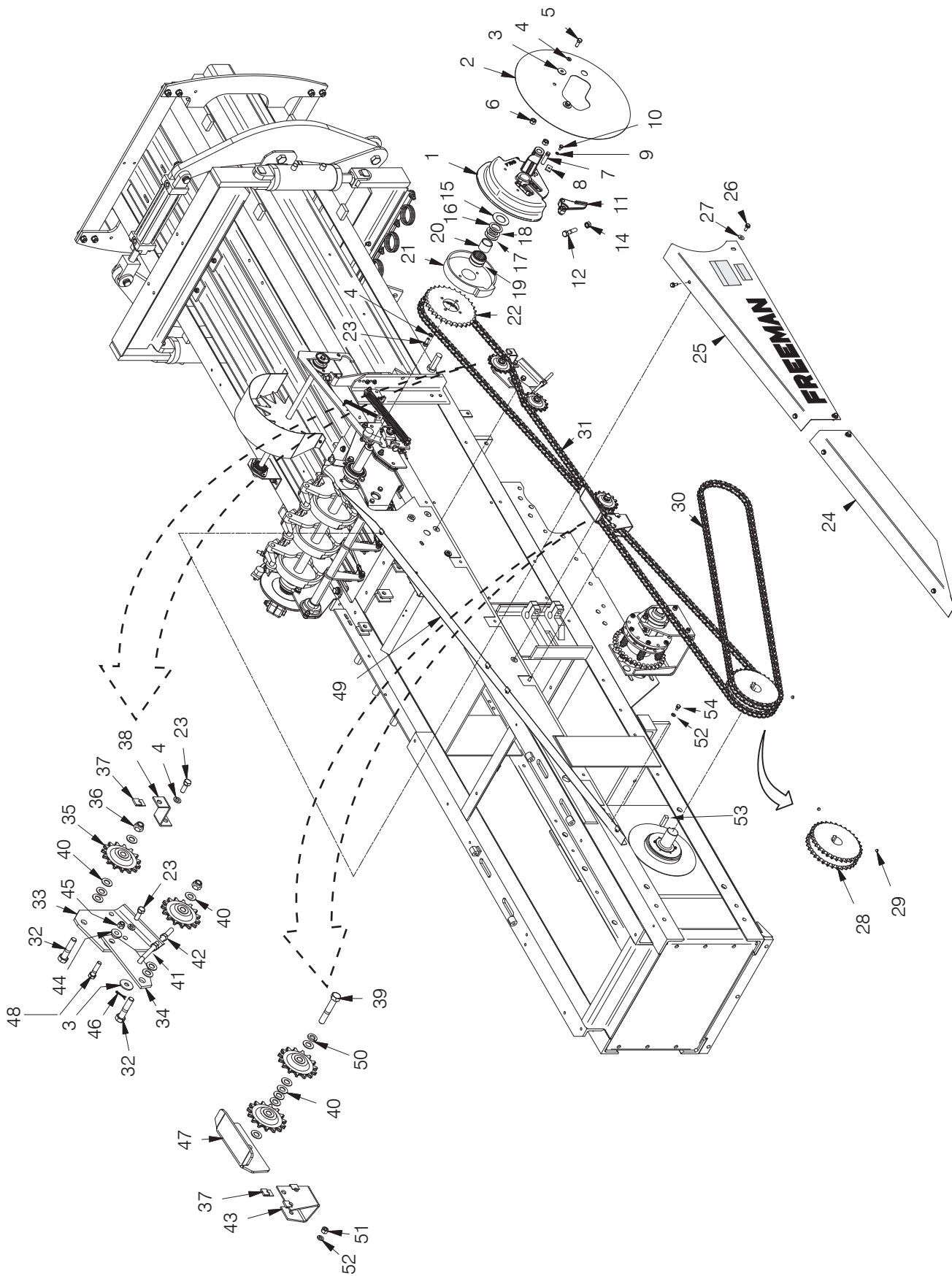
385 TWINE FINGER DRIVE ASSEMBLY



385 TWINE FINGER DRIVE ASSEMBLY

REF NO.	PART NO.	DESCRIPTION	QTY. USED	REF NO.	PART NO.	DESCRIPTION	QTY. USED
1	900538	TWINE FINGER	3	19	234135	WASHER, LOCK; 3/8	3
2	WAS3751500	TWINE FINGER WASHER .060	3	20	201598	CAPSCREW; 5/16 NC X 7/8 GR5 HX BLK3	3
3	223428	FLAT WASHER 5/16	AR	21	WLG0000002	GUIDE SPRING	3
4	BRG0001301	ROD END BEARING RH	3	22	R13811512;	HEX NUT NC 5/16	4
5	R13803725	HEX NUT NF 5/16 RH	3	23	00179799	CAPSCREW; 1/4 NC X 1 1/4 GRADE 5	1
6	BRG0001300	ROD END BEARING LH	3	24	237567	ESNA NUT 3/8-16	1
7	NFL0003125	LH JAM NUT NF 5/16	3	25	NCE0002500	ESNA NUT NC 1/4	1
8	ROD037256B	TWINE FINGER DRIVE ROD	3	26	SHF0033685	TWINE FINGER DRIVE SHAFT	1
9	R13811016	CAPSCREW; 5/16 UNC X 1 1/2 HX HD	3	27	252913	TRIP SPRING	2
10	R13812513	WASHER, LOCK; 5/16	6	28	F000001572	CAM FOLLOWER	1
11	R13811512	NUT, HEX; 5/16 NC GR5	7	29	LEV0035616	TWINE FINGER SHEAR LEVER-385	1
12	WLG0000001	KNOTTER TWINE GUIDE PLATE	3	30	00181339	CAPSCREW; 5/16 NF X 1 GR5 HX BLK	3
13	WCTM0000080	FLATWASHER 8 MM	6	31	WIS0003125	WASHER, LOCK; 5/16 INT TOOTH	3
14	NCHM008125	HEX NUT GR 8.8 8M X 1.25 MC	3	32	223427	FLAT WASHER 3/8	1
15	WLKM0000080	8 MM LOCKWASHER	3	33	BRG51FLMX8	BEARING,2 BOLT FLANGE	2
16	WLG0000005	ANGLE SPRING	3	34	WLG0000003	STOP SPRING	3
17	Y17C-0616	CAPSCREW; 3/8 UNC X 1 HX HD	3	35	WAS037715A	KNOTTER WASHER	6
18	223427	FLAT WASHER 3/8	3	36	R13811016	CAPSCREW; 5/16 NC X 1 1/2	1
				37	SCC0000306	3/8-16 X 2	1

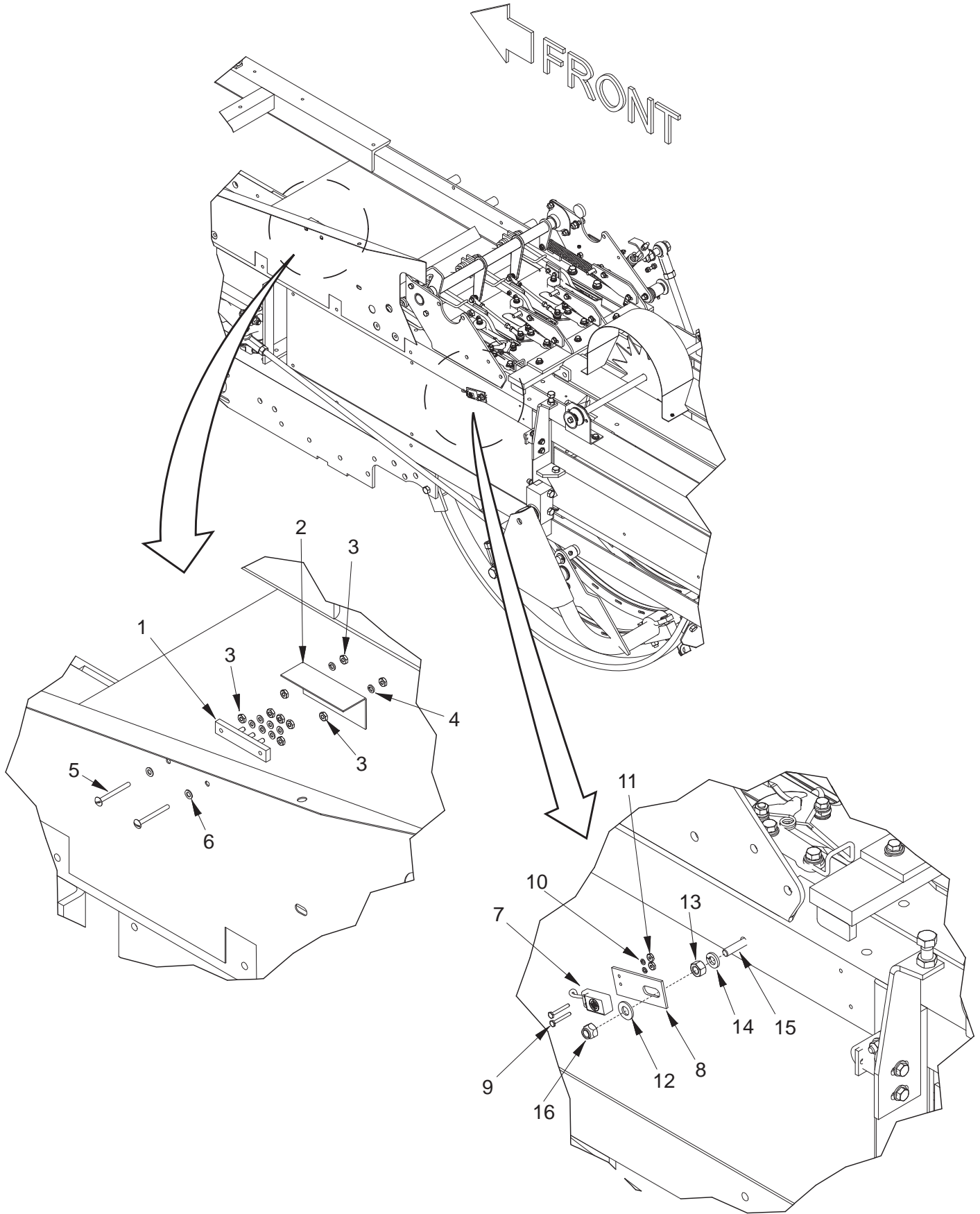
KNOTTER CLUTCH AND DRIVE ASSEMBLY



KNOTTER CLUTCH AND DRIVE ASSEMBLY

REF NO.	PART NO.	DESCRIPTION	QTY. USED	REF NO.	PART NO.	DESCRIPTION	QTY. USED
1	F000007519	1-3/8" KNOTTER CLUTCH W/PAWL	1	31	CHN0006240	TWINE KNOTTER CHAIN	1
2	F000007987	SHIELD FOR KNOTTER CLUTCH	1		F000000760	CONNECTING LINK - RC60	1
3	223427	WASHER, FLAT; 3/8	4	32	221574W	CAPSCREW; 1/2 NC X 2 1/4 GR8	2
4	234135	WASHER, LOCK; 3/8	1	33	F000008086	CHAIN IDLER BRACKET	1
5	00114672	HEX HEAD CS,3/8-16 X 1" GRD 5	2	34	F000008083	CHAIN TIGHTENER BRACKET	1
6	234921	HEX NUT 1/2	1	35	F000007397	SPROCKET BORE F/CHN TIGHTN	4
7	PIN0020739	CLUTCH PAWL PIN 1987+	1	36	00103384	COTTER PIN; 1/8" X 3/4"	1
8	KPR0020740	CLUTCH PAWL PIN KEEPER 1987+	1	37	NCC0003125	CAGE NUT NC 5/16	7
9	223871	WASHER, LOCK; 1/4	1	38	F000008154	CHAIN SHIELD REAR BRACKET	1
10	133469W	HEX HD CS NC 1/4 X 1/2	1	39	R13801850	CAPSCREW; 1/2 NC X 3 GR8	1
11	CLH0020799	KNOTTER CLUTCH PAWL 1987	1	40	239519	WASHER, FLAT; 1/2	11
12	221574W	CAPSCREW; 1/2 NC X 2 1/4 GR8	2	41	F000008084	CHAIN TIGHTNER ADJUST BOLT	1
14	223587	ESNA NUT NC 1/2	3	42	R13809551	NUT, HEX; 3/8 NC GR5	2
15	F000004136	WASHER; .062 X 1.375 ID X 25 OD	2	43	F000008153	CHAIN SHIELD CENTER BRACKET	1
16	R616841	MACH BUSH;10GA	A/R	44	F000000440	FERRULE	1
16	F000004160	MACH BUSH; 14GA	A/R	45	237567	NUT, ESNA;A; 3/8 NC GR8	1
17	F000007977	SPACER WASHER 1-3/8" X 1-7/8 X .015 A/R	A/R	46	R13811512	NUT, HEX; 5/16 NC GR5	1
17	SHM0000105	STEEL SHIM 1-3/8" X 1-7/8 X .020	A/R	47	F000008112	KNOTTER DRIVE CHAIN HOLD	1
18	F000007978	SPACER WASHER 1-3/8X1-7/8X.005	A/R	48	Y17C-0624	CAPSCREW; 3/8 UNC X 1 1/2 HX HD	1
18	F000004161	MACH BUSH; 18GA	A/R	49	F000008377	INNER KNTR DRIV CHN SHD-TWINE	1
19	F000004134	BEARING F/4133	1	50	234665	WASHER, LOCK; 1/2	2
20	F000004135	INNER RACE F/F4133	1	51	R13811512	NUT, HEX; 5/16 NC GR5	1
21	F000004133	CLUTCH DISC W/F4134 BEARING	1	52	R13812513	WASHER, LOCK; 5/16	2
22	F000000755	SPROCKET-KNOTTER CLUTCH	1	53	F000000759	OFFSET LIMK RC60	1
23	00114672	HEX HEAD CS,3/8-16 X 1"GRD 5	4	54	R13811010	CAPSCREW; 5/16 X 1/2 HEX HD NC	1
24	F000008152	FRONT KNOTTER CHAIN SHIELD	1				
25	903181	REAR KNOTTER CHAIN SHIELD	1				
	FD00007112	FREEMAN DECAL, RED	1				
	FD00023581	"CAUTION! SHUT OFF MOTOR WHEN"	1				
	FD00023572	"SHIELDS ARE F/YOUR PROTECT..."	1				
26	SMS0000184	BOLT, WHIZ; 5/16 NC X 3/4	7				
27	R13811444	FLAT WASHER SAE 5/16	3				
28	253836	SPROCKET, DRIVE	1				
29	STS3750500	SOCKET SET SCREW 3/8 X 1/2	2				
30	CHN0060139	PICKUP DRIVE CHAIN	1				
	F000000760	CONNECTING LINK - RC60					

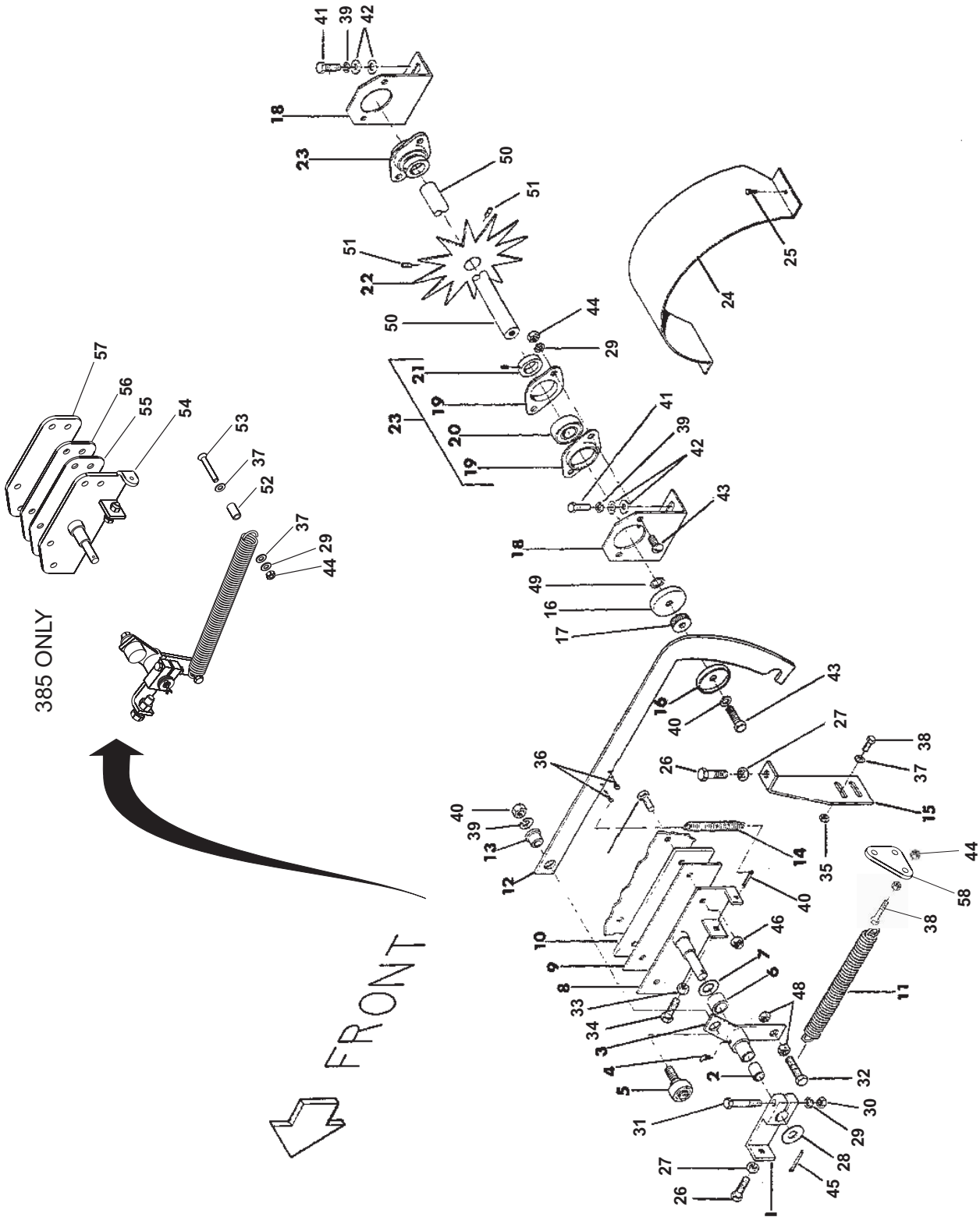
JUNCTION BLOCK AND (KNOTTER PROXIMITY SWITCH F/380 ONLY)



JUNCTION BLOCK AND (KNOTTER PROXIMITY SWITCH F/380 ONLY)

REF NO.	PART NO.	DESCRIPTION	QTY. USED
1	03-159	TERMINAL BLOCK; 3 POST	1
2	COV036154A	PL,COVER	1
3	R13812544	NUT, HEX; 10-32 NF	6
4	221794	WASHER, LOCK; 10-32	2
5	SMR1032200	RND HD MS NF 10-32X2	2
6	R13122	WASHER, FLAT; #10	2
7	SWI0000010	SWITCH, PROX;	1
8	MNT036623A	SWITCH MOUNT	1
9	SMS0000302	MACH SCREW 6-32X 3/4 NC FH PHIL	1
10	00106495	WASHER, LOCK; #6	2
11	222143	NUT, HEX; 6-32 NC	2
12	223428	FLAT WASHER 5/16	1
13	R13811512	HEX NUT NC 5/16	1
14	R13812513	WASHER, LOCK; 5/16	1
15	Y73G-0524	CAPSCREW; 5/16 UNC X 1 1/2 SOC HD	1
16	223588	NUT, ESNA; 5/16 NC GR5	1

KNOTTER TRIP ASSEMBLY



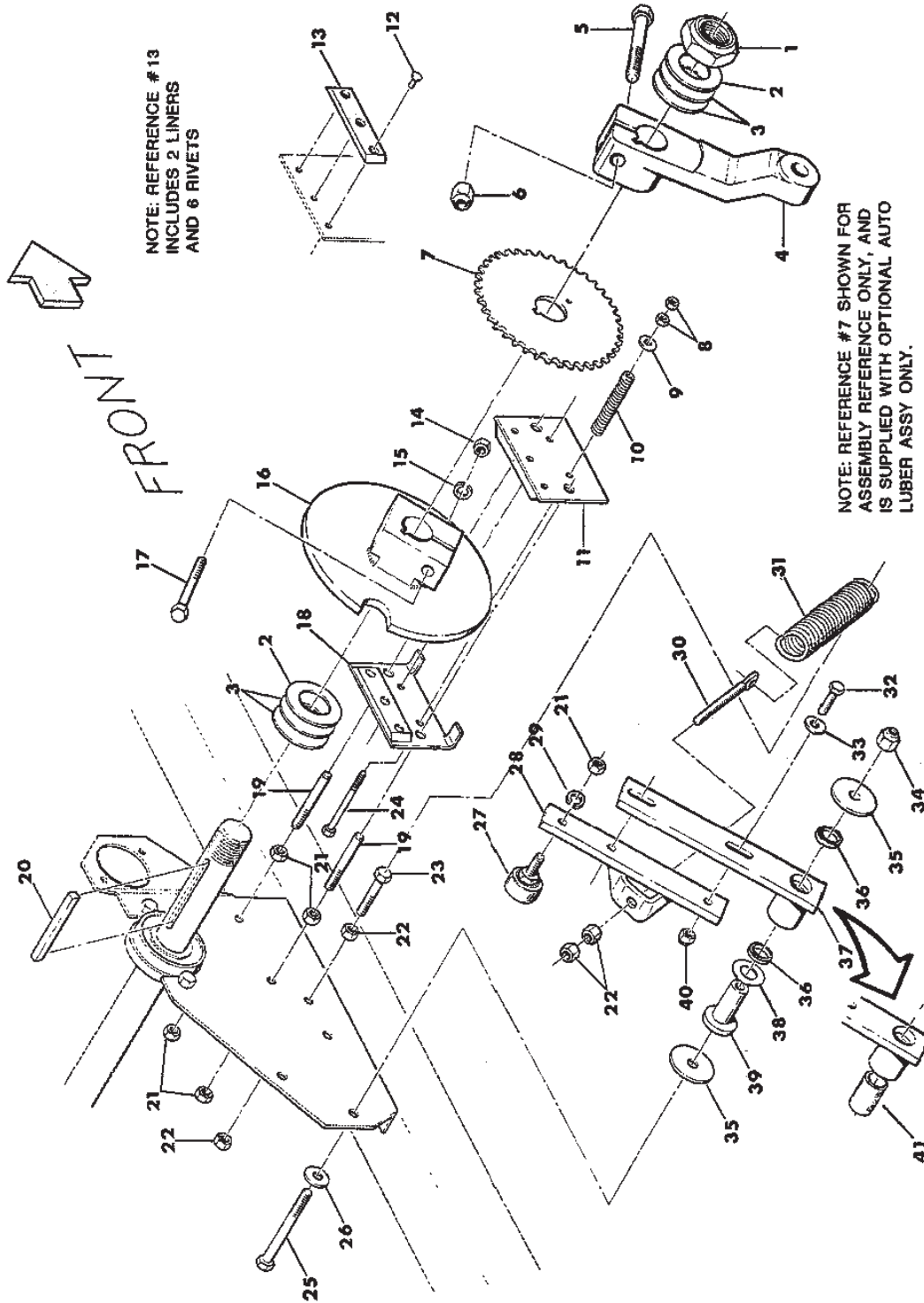
385 ONLY

FRONT

KNOTTER TRIP ASSEMBLY

REF NO.	PART NO.	DESCRIPTION	QTY. USED	REF NO.	PART NO.	DESCRIPTION	QTY. USED
1	F000001515	CLUTCH STOP LEVER	1	24	F000001608	METER WHEEL SHIELD	1
2	F000001568	BUSHING FOR F1515 RESET LEVER	1	25	SMS0000211	CAPSCREW; SELF-TAP 10-32 X 3/8"	2
3	F000001514	RESET LEVER	1	26	200454W	CAPSCREW; 1/2 NC X 1 1/2 GR8	2
4	ZZ00000101	HEX ZERK 1/4-28 90° 3/8	1	27	234218	JAM NUT-HEX 1/2-13	3
5	BRG0001572	CAM FOLLOWER -1-1/4	1	28	ZZ00000210	MACHINE BUSHING 1/2" X 14 GA	1
6	F000007227	BUSHING	1	29	R13812513	WASHER, LOCK; 5/16	5
7	ZZ00000220	MACHINE BUSHING 3/4" X 10 GA	1	30	R13803725	NUT, HEX; 5/16 NF GR8	1
8	F000001513	KNOTTER TRIP MOUNT	2	31	221475W	CAPSCREW; 5/16 UNF X 2 HX HD	1
9	SHM0001250	KNOTTER TRIP MOUNT SHIM 11GA	A/R	32	R13811037	HEX CAP SCREW 3/8-16 X 1-1/2"GR5	1
10	SHM0000250	KNOTTER TRIP MOUNT SHIM 1/4"	A/R	33	R13809551	NUT, HEX; 3/8 NC GR5	1
10	SHM0001875	KNOTTER TRIP MOUNT SHIM 3/16"	A/R	34	221499W	CAPSCREW; 3/8 UNC X 1 1/4 HX HD	2
11	F000001517	RETURN SPRING	1	35	223588	NUT, ESNA; 5/16 NC GR5 HX	4
12	KNT0032132	METER TRIP BAR ASS	1	36	COT0000803	COTTER PIN 3/16" X 1-1/2"	4
13	F000000440	FERRULE	1	37	223428	FLAT WASHER 5/16	2
14	F000000278	RETURN SPRING	1	38	223655	CAPSCREW; 5/16 NC X 1 GR5 HX ZC	3
15	F000001632	METER TRIP BAR STOP W/BOLT	1	39	234135	3/8" LOCKWASHER - PLATED	6
16	F000008023	GUIDE WASHER	2	40	R13809551	3/8" NC HEX NUT - PLATED	1
17	F000001687	KNURLED FRICTION DISC	1	41	SCC0030001	3/8" X 3/4" NC HYT CS - PLATED	4
18	F000001617	METER WHEEL SHAFT BRACKET	2	42	223427	3/8" FLATWASHER - PLATED	8
19	F000001889	FLANGETTE F/F1618 BEARING	2	43	SMT0000201	5/16" X 3/4" TH MACHINE SCREW	4
20	F000001619	BEARING ONLY	2	44	R13811512	5/16" NC HEX NUT - PLATED	4
21	F000001890	LOCKING COLLAR F/F1619	2	45	COT0000502	1/8" X 1" COTTER PIN	1
22	F000001531	METER WHEEL - STAR WHEEL ONLY	1	46	237567	3/8" NC ESNA NUT - PLATED	1
23	F000001618	METER WHEEL SHAFT W/CLAMPS	2	47	R13811037	HEX CAP SCREW 3/8-16 X 1-1/2"GR5	2
				48	NCJ0000375	3/8" NC JAM NUT - PLATED	2
				49	WES0000375	3/8" EXT STAR WASHER	1
				50	F000008022	METER WHEEL SHAFT ONLY - 3TIE	1
				51	STS3750375	3/8" X 3/8" SOCKET SET SCREW	2
				52	SPC0033118	SPACER	1
				53	SCO0000208	FH SOCKET CS 5/16-18 X 2-1/2 PLAIN	1
				54	MNT037346D	KNOTTER TRIP MOUNT	1
				55	SHM037350B	1/8" PIVOT PLATE SHIM	AR
				56	SHM037349B	3/16"PIVOT PLATE SHIM	AR
				57	SHM037348B	1/4" PIVOT PLATE SHIM	AR
				58	MNT037222A	SPRING MOUNT	1

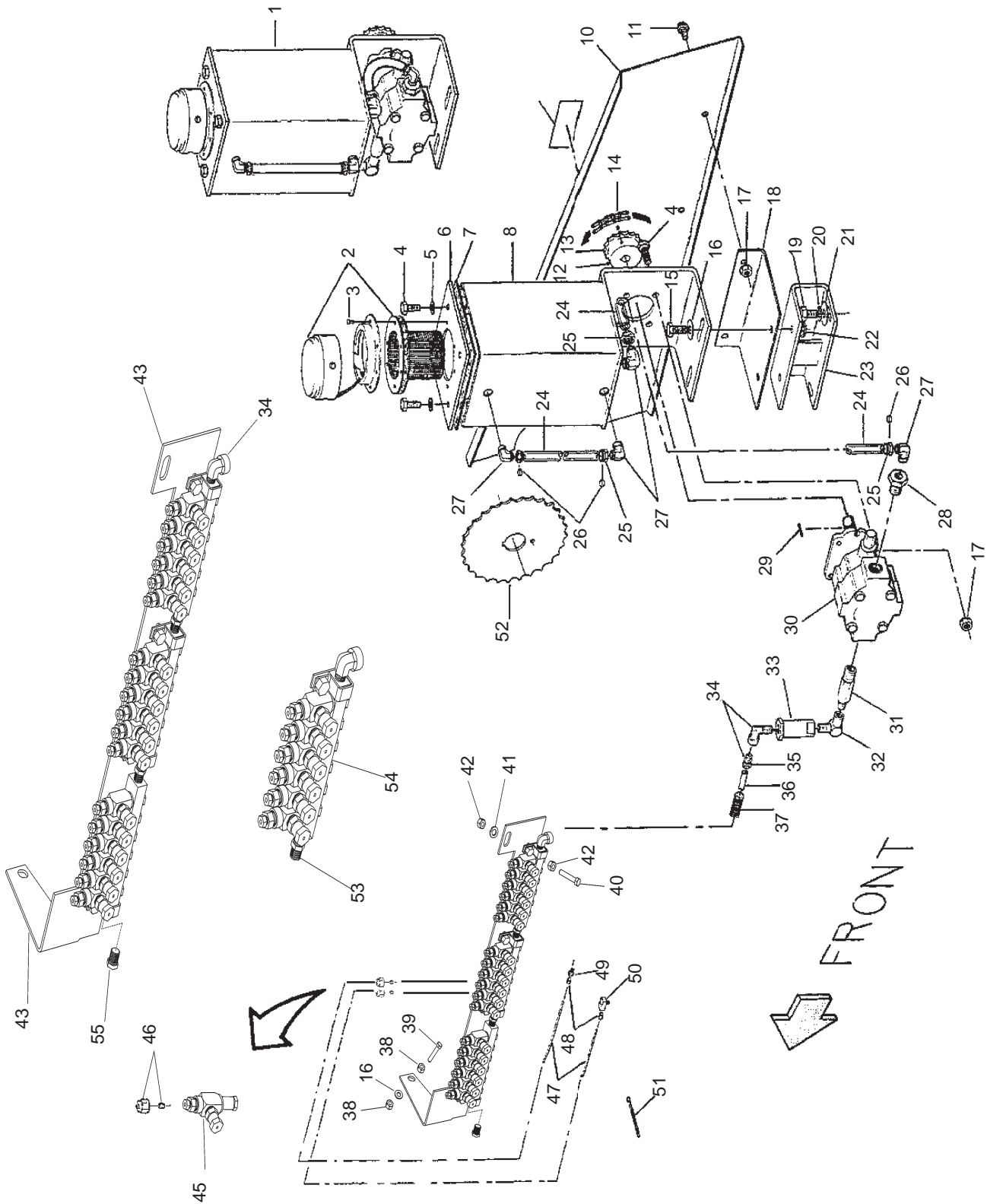
KNOTTER BRAKE ASSEMBLY



KNOTTER BRAKE ASSEMBLY

REF NO.	PART NO.	DESCRIPTION	QTY. USED	REF NO.	PART NO.	DESCRIPTION	QTY. USED
1	NEJ0013750	ESNA JAM NUT NF 1-3/8"	1	21	R13803692	NUT, HEX; 3/8 NF GR5	5
2	F000004159	MACHINE BUSHING	A/R	22	221707W	NUT, HEX; 3/8 UNC	4
3	F000004160	MACHINE BUSHING	A/R	23	Y01C-0624	CAPSCREW; 3/8 UNC X 1 1/2 HX HD	1
3	F000004161	MACHINE BUSHING	A/R	24	234867	CAPSCREW; 1/4 UNC X 3 1/2 HX HD	2
4	F000007461	NEEDLE YOKE DRIVE ARM	1	25	18542W	CAPSCREW; 3/8 UNC X 3 1/2 HX HD	1
5	18592W	CAPSCREW; 1/2-13 X 3" GRADE 5	1	26	223427	WASHER, FLAT; 3/8	1
6	223587	ESNA NUT NC 1/2	1	27	F000001572	CAM FOLLOWER-RESET-SADDLE LEV	1
7	F000008202	41A40 X 1 3/8" SPROCKET	1	28	F000007560	SADDLE LEVER-UPPER HALF	1
8	R13811173	HEX NUT NC 1/4	4	29	234135	WASHER, LOCK; 3/8	1
9	R13811443	WASHER, FLAT; 1/4	2	30	F000007448	SADDLE LEVER SPRING EYEBOLT	1
10	F000007453	BRAKE PLATE SPRING	2	31	F000007559	SADDLE LEVER SPRING	1
11	F000007450	OUTSIDE BRAKE PLATE W/LINING	1	32	18498W	CAPSCREW; 5/16 UNC X 1 1/4 HX HD	2
12	RIV0000106	RIVET F/KNOTTER BRAKE LINING	6	33	223428	FLAT WASHER 5/16	2
13	F000007454	BRAKE LINING W/RIVETS (PAIR)	1	34	237567	NUT, ESNA;A; 3/8 NC GR8	1
14	221711W	NUT, HEX; 1/2 UNC	1	35	F000000246	KNOTTER BRAKE DISC WASHER	2
15	234665	WASHER, LOCK; 1/2	1	36	F000007587	SADDLE LEVER ANCHOR SEAL	2
16	F000007528	BRAKE DISC W/HARD NOTCH	1	37	LEV0025133	LOWER SDDLE LEVER ASY W/BUSH	1
17	SCC0000511	CAPSCREW; 1/2 UNC X 3 1/4 GR5	1	38	F000000802	WASHER	1
18	F000007449	INSIDE BRAKE PLATE W/LINING	1	39	F000007585	SLEEVE F/SADDLE LEVER ANCHOR	1
19	F000007451	BRAKE PLATE STUD	1	40	223588	NUT, ESNA; 5/16 NC GR5 HX	2
20	ZZ00000419	KEY 3/8" X 3/8" X 3-1/2"	1	41	F000007586	BUSHING F/SADDLE LEVER ASY	1

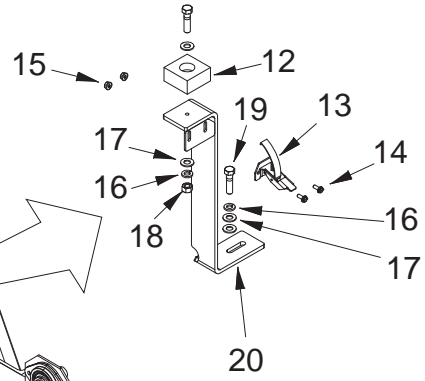
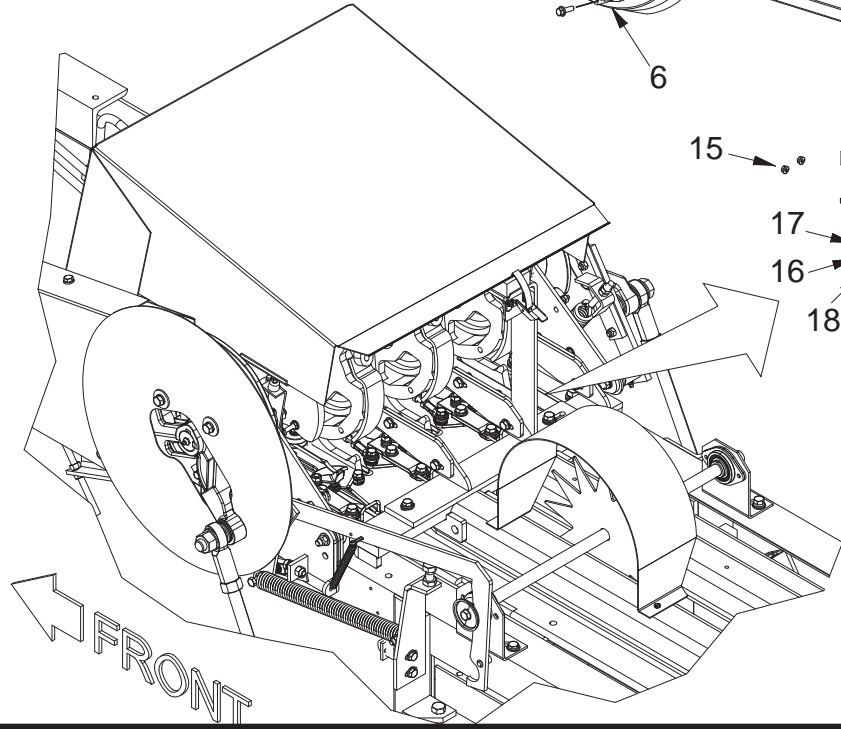
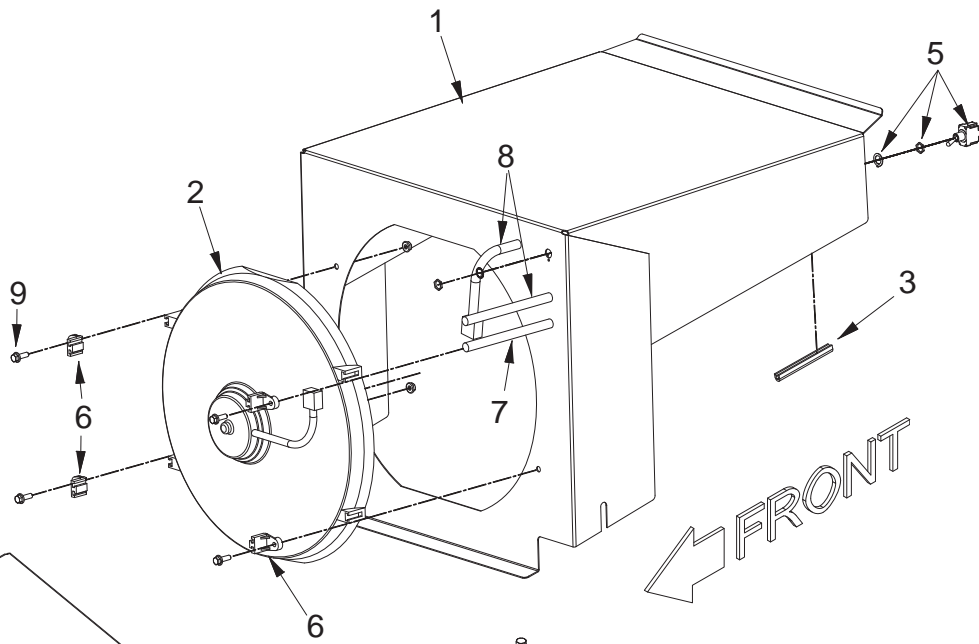
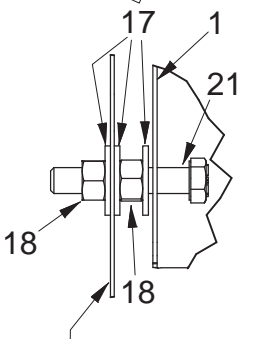
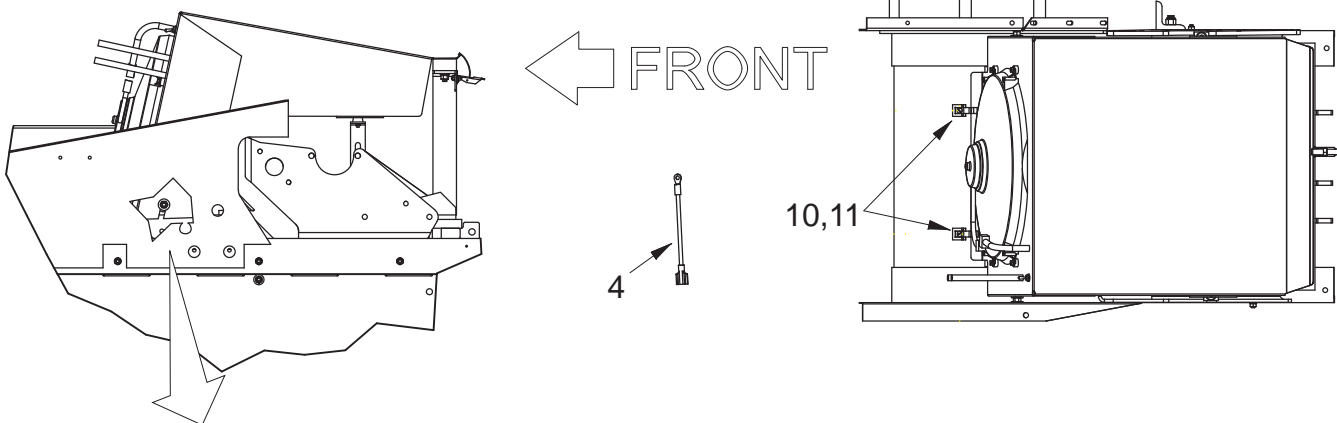
AUTOMATIC KNOTTER LUBER 380



380 AUTOMATIC KNOTTER LUBER

REF NO.	PART NO.	DESCRIPTION	QTY. USED	REF NO.	PART NO.	DESCRIPTION	QTY. USED
1	F000008210	AUTO LUBER TANK & PUMP ASSY	1	28	PPE0500250	HEX BUSHING 1/2" X 1/4" STD BLK	1
1	KIT0000164	AUTO LUBER KIT	1	29	ZZ00000403	KEY 1/8" X 1/8" X 1"	1
2	FIL0010003	FILTER CAP COMPLETE W/SCREEN	1	30	KIT4731107	AUTO LUBER PUMP	1
3	SMR1032075	MACH SCR; 10-32 X 3/4 RD SLOT HD	6	30	SEL0047311	SEAL KIT F/PMP4731107	1
4	223655	CAPSCREW; 5/16 NC X 1 GR5 HX ZC	8	31	HYD3069132	HEX NIPPLE 1/4" X 3/8" NPT X 2-1/2"	1
5	WAS0725002	WASHER, COPPER; .317 ID X .740 OD	4	32	HYD3409020	ELBOW 1/4" X 90° STEEL STREET	1
6	F000008197	TANK COVER F/F8196	1	33	FIL0009052	IN-LINE FILTER 1/4	1
7	F000008198	COVER TO TANK-AUTO LUBER GSKT	1	34	HYD9525250	ELBOW 1/4" X 1/4" X 90°	2
8	F000008196	LUBER TANK & BRACKET	1	35	F000008312	SLEEVE ONLY	2
10	903314	AUTO LUBER CHAIN SHIELD	1	36	NYL0000250	NYLAFLOW TUBING-PER FOOT 1/4"	3
	FD00023572	"SHLDS ARE F/YOUR PROTECT..."	1	37	AO00000250	FABERIC WIRE LOOM-PER FOOT 1/4"	3
11	SMS0000184	BOLT, WHIZ; 5/16 NC X 3/4	2	38	R13809551	NC HEX NUT - PLATED 3/8"	2
12	STS2500250	NC SOCKET SET SCREW	2	39	HTB0030006	HEX HD S-TAP NC 3/8 X 2	1
13	F000008201	SPROCKET, WITH 2 SET SCREWS	1	40	223655	CAPSCREW; 5/16 NC X 1 GR5 HX ZC	1
14	FT00000113	CONNECTING LINK - #41 CHAIN	1	41	223428	FLAT WASHER 5/16	1
14	FT00000114	OFFSET LINK - #41 CHAIN	1	42	R13811512	NUT, HEX; 5/16 NC GR5	1
14	FT00000165	PUMP DRIVE CHAIN -93 PITCH RC41	1	43	BKT0032971	BRACKET FOR LUBER MANIFOLD	1
15	221499W	CAPSCREW; 3/8 UNC X 1 1/4	2	44	LUB0033009	KNOTTER LUBER MANIFOLD COMP	1
16	223427	WASHER, FLAT; 3/8	4	45	LUB0083313	INJECTOR, REPLACEMENT	18
17	00273802	NUT, SERRATED; 5/16 NC GR5	6	46	LUB0083924	COMPRESS NUT/SLEEVEF/LUB83316	18
18	F000008205	AUTO LUBER CHN SHIELD BRACKET	1	47	F000007400	NYLAFLOW TUBING-32" PC 1/8"	18
19	R13801840	CAPSCREW; 1/2 UNC X 3/4 HX HD	2	48	F000008306	FERRULE F/AUTO LUBER FITTING	18
20	234665	WASHER, LOCK; 1/2	2	49	F000008287	STR AUTO LUBER FITTING	6
21	239519	WASHER, FLAT; 1/2	4	50	F000008288	90° AUTO LUBER FITTING	12
22	09411507	NUT, SERRATED; 3/8 NC GR5	2	51	F000008290	CABLE TIE - BLACK 3/16" X 5-7/8"	18
23	F000008206	AUTO LUBER	1	52	F000008202	SPROCKET 41A40 X 1-3/8	1
24	F000008199	SITE GAUGE F/AUTO LUBER TANK	2	53	223572	FITTING; ST	2
25	IMP0026106	NUT & SLEEVE ASSEMBLY 3/8"	4	54	LUB0833116	LUBER ASSY MANIFOLD 6-HOLE	3
26	IMP0026006	PLASTIC SLEEVE 3/8"	4	55	209511	PLUG, 1/8" STEEL HEX	1
27	F000008209	BRASS MALE ELBOW 3/8" X 1/4" 90°	4				

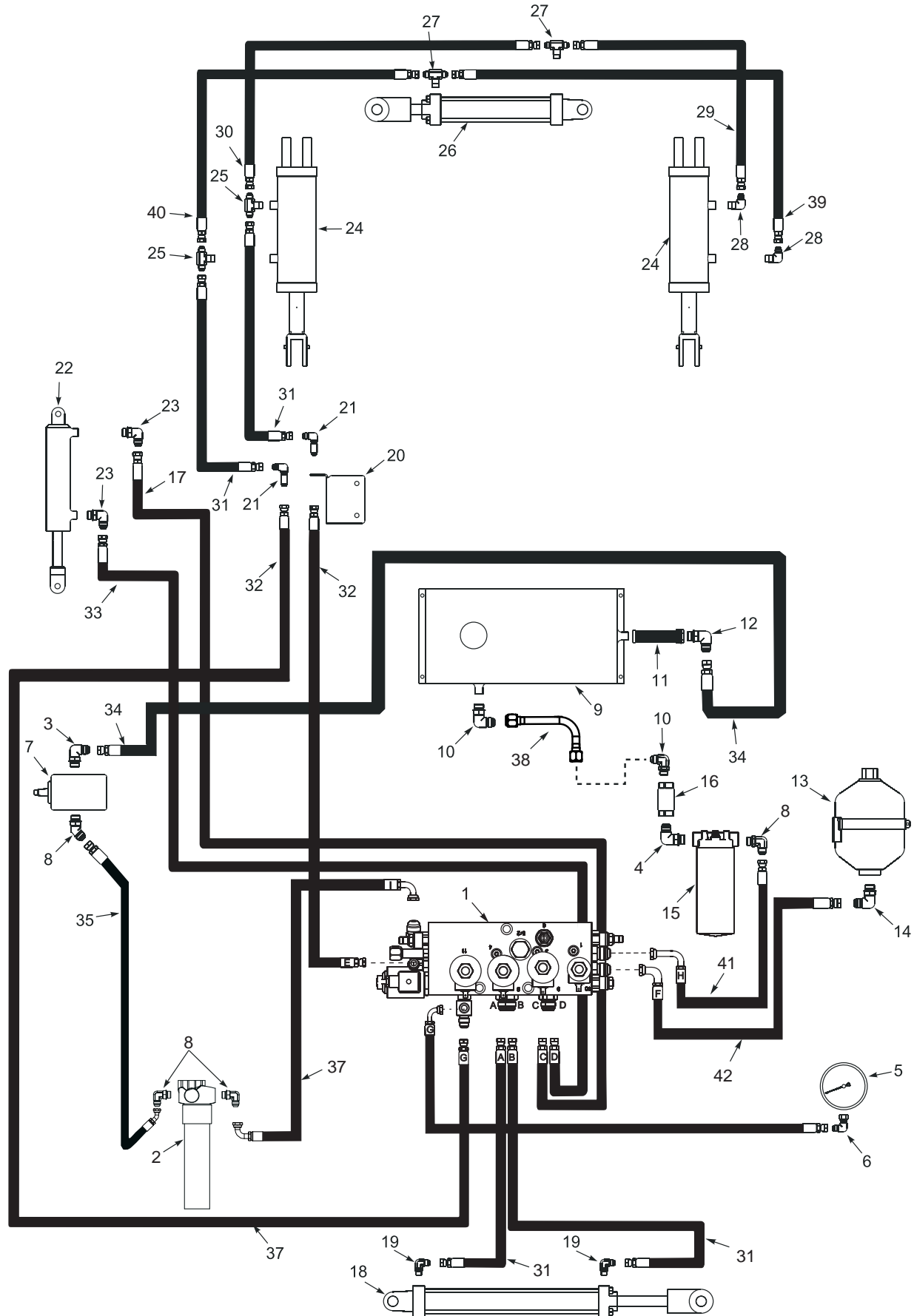
KNOTTER FAN ASSEMBLY



KNOTTER FAN ASSEMBLY

REF NO.	PART NO.	DESCRIPTION	QTY. USED
	900597	FAN ASSY,KNOTTER; 3-TIE BALERS	
1	903277	. PLATE,SHROUD W/DECAL	1
	FD00023583	. . DECAL;WARNING-KEEP HANDS CLR	1
	576690	. . DECAL; ON OFF	1
2	FAN0000001	FAN & MOTOR, BLOWER; KNOTTER	1
3	MLD7500317	BLACK QUIKEDGE TRIM MOLDING	2
4	900024	GROUND WIRE	1
5	229289	SWITCH, TOGGLE	1
6	MNT0050025	KNOTTER FAN SHROUD MOUNT	4
7	901387	WIRE HARNESS; KNOTTER FAN	1
8	HRN037411B	WIRE HARNES;KNOTTER FAN SWITCH	1
9	399741W	SCREW, SER FLG 1/4-20 UNC	4
10	F000006108	CATCH; A-1 (INSPECT COVER)	2
11	233962	CAPSCREW; 10-32 NF X 3/8 TRUSS HD	2
12	PAD0018804	TENS RAIL SUPPORT PAD	1
13	CLP0000130	HOOK-TYPE FASTENER	1
14	234991	CAPSCREW; 10-32 X 1/2 SOC HD	2
15	220044	NUT, HEX; 10-32 NF	2
16	234135	WASHER, LOCK; 3/8 REG HEL SPR	2
17	223427	WASHER, FLAT; 3/8	5
18	221707W	NUT, HEX; 3/8 NC GR8	3
19	221499W	CAPSCREW; 3/8 NC X 1 1/4 GR8	1
20	SUP0024161	SUPPORT KNOTTER FAN	1
21	R13811039	CAPSCREW; 3/8 UNC X 2 HX HD	2

380/385 HYDRAULIC COMPONENTS AND HOSES



380/385 HYDRAULIC COMPONENTS AND HOSES

Installed on 385 balers with Serial Number ASC-0385-027 and after.

Installed on 380 balers with Serial Number ASC-0380-005 and after.

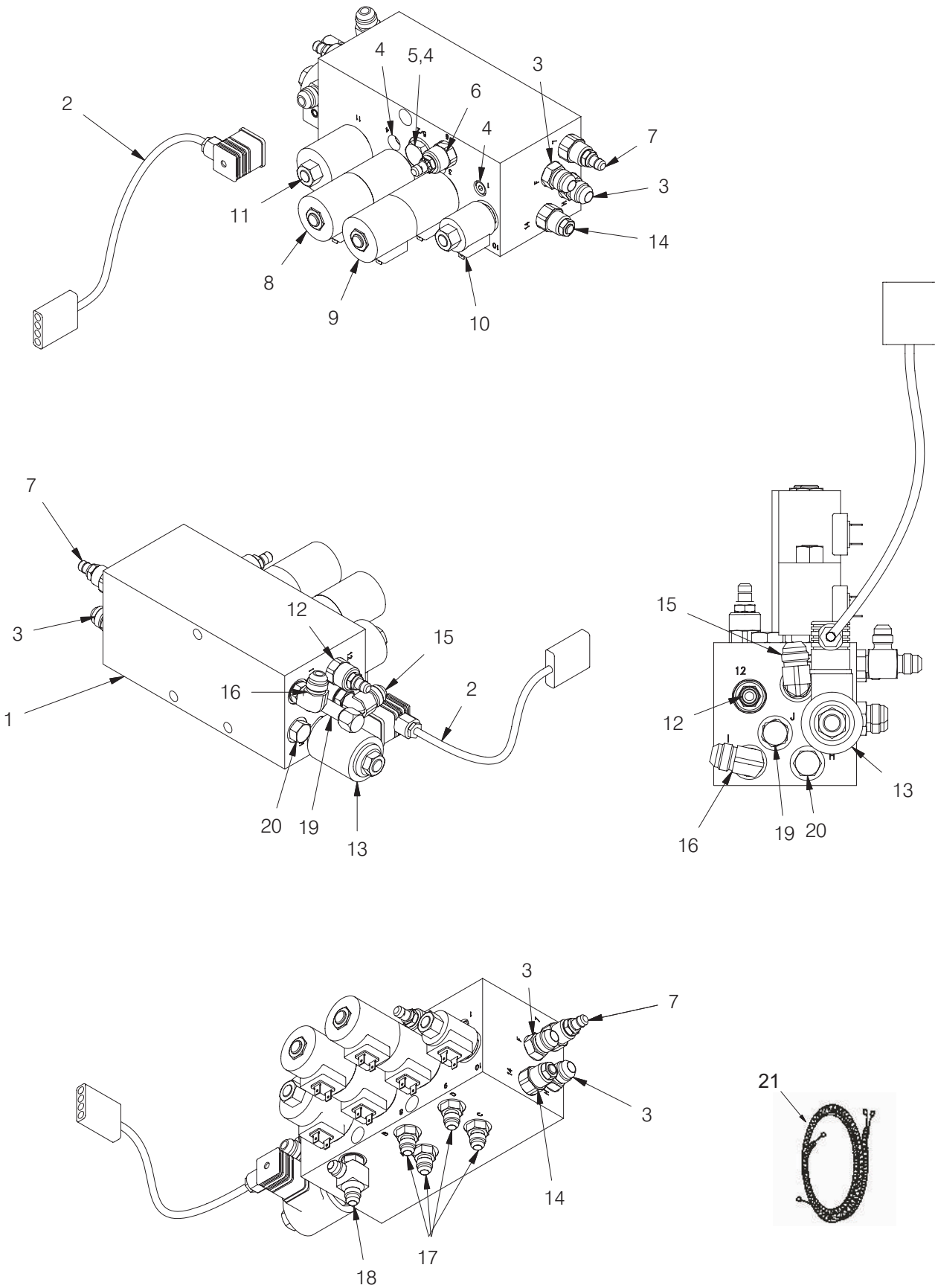
REF NO.	PART NO.	DESCRIPTION	QTY. USED	REF NO.	PART NO.	DESCRIPTION	QTY. USED
1	MNF037316E	280,380 SIDE FEED MANIFOLD ASSY	1	20	BKT037356B	TNS HYD HOSE BULKHEAD BRACKET	1
2	252800	FILTER ASSY, INLINE PRESSURE	1	21	HYD5525030	3/8 JIC X 90* BLKHD UNION ELB	2
	252801	ELEMENT, FILTER	1	22	F000006724	HYDRAULIC CYL-P/U LIFT SP	1
	252958	FILTER HEAD	1		F000006727	SEAL KIT	
3	209166	FITTING	1	23	F000006638	3/8 JIC X 1/4 NPT 90* MALE ELBOW	2
4	22308	FITTING	1	24	CYL0033749	VERTICAL TENSION CYLINDER	2
5	GAG0000001	4" TENSION GUAGE-LIQUID FILLED	1		SEL000KT25	SEAL KIT	
6	209427	FITTING	1	25	HYD5605035	3/8 JIC X 3/8 NPT MALE BRANCH TEE	2
7	256629	HYDRAULIC GEAR PUMP	1	26	F000006519	HYDRAULIC CYLINDER	1
	256382	KIT, SEAL;A; GEAR PUMP			SEL0008408	SEAL KIT	
	*PMP12S8XG2	HYDRAULIC GEAR PUMP		27	R14293	FITTING; TE	2
	SEL2000003	. SEAL KIT F/PMP12S8XG2 PMP	1	28	HYD5405045	FITTING; EL	2
	DTZ0270606	. DRIVE PARTS F/HYDRAULIC PUMP	1	29	23955	HOSE ASSY	1
8	4195646	FITTING	1	30	245285	HOSE ASSY	1
	209806	FITTING; ST, BEFORE S/N ASC-385-027	2	31	R12565833	HOSE ASSY	4
9	TNK004Z980	HYDRAULIC RES W/FILLER NECK-5GAL	1	32	HOS036659A	HOSE ASSY	2
	CAP0001390	CAP ONLY	1	33	251611	HOSE ASSY	1
10	209417	FITTING; EL	1	34	248075	HOSE ASSY	1
11	FILS1510V3	HYDRAULIC TANK FILTER-	1	35	252867	HOSE ASSY	1
12	12663	FITTING; EL	1	36	254198	HOSE ASSY	1
13	902474	HYDAC HYDRAULIC ACCUMULATOR	1	37	27626	HOSE ASSY	1
14	19920	FITTING; EL	2	38	902222	TUBE ASSY	1
15	FIL0HH6935	HYDRAULIC FILTER HEAD	1	39	25363	HOSE ASSY	1
	FIL0HF6613	. FILTER ELEMENT-SYNTHETIC	1	40	245873	HOSE ASSY	1
16	252319	CHECK VALVE 3/4" NPT FEM BRONZE	1	41	R12579545	HOSE ASSY	1
17	251612	HOSE ASSY	1	42	233464	HOSE ASSY	1
18	CYL0009014	CYLINDER- HYD SWINGBAR	1				
19	23945	FITTING; EL	2				

* PMP12S8XG2 Last used on:

385 Serial Number 38537998

380 Serial Number 38037921

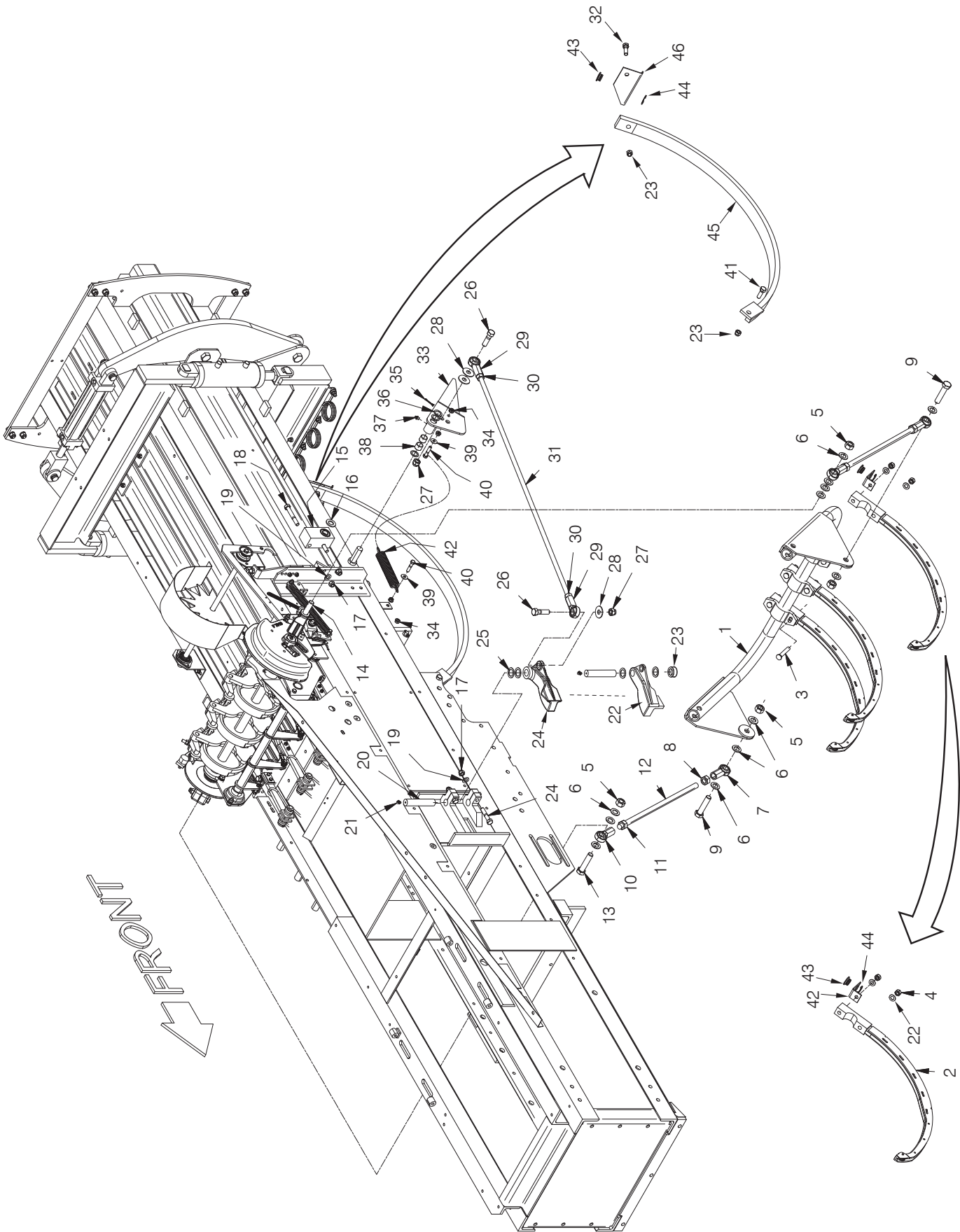
380/385 MAIN HYDRAULIC VALVE ASSEMBLY



380/385 MAIN HYDRAULIC VALVE ASSEMBLY

REF NO.	PART NO.	DESCRIPTION	QTY. USED
1	MNF037316E 252543	280,380 SIDE FEED MANIFOLD ASSY MANIFOLD ONLY	1
2	VLV035796B	PROPORTIONAL CONTROLLER/AMP	1
3	211550	FITTING; ST	2
4	HYD3169005	1/16 SOCKET HD STEEL PIPE PLUG	4
5	YL-402-C2 2500282	CARTRIDGE, CHECK VALVE KIT, SEAL	1 1
6	VLVQCDALAN 252566	DIFFERENTIAL UNLOAD PILOT KIT, SEAL	1 1
7	VLVRVCALAN 242101	PILOTED RELIEF CARTRIDGE KIT, SEAL	1 1
8	VLV0000004 252530 252532 252563	VALVE, SOLENOID ASSY CARTRIDGE, VALVE COIL KIT, SEAL	1 1 1 1
9	252495 252562 252532 252563	VALVE, SOLENOID ASSY CARTRIDGE COIL KIT, SEAL	1 1 1 1
10	VLVCP5082B 252534 252532 2500282	POPPET SOLENOID VALVE.NO CARTRIDGE, VALVE COIL KIT, SEAL	1 1 1 1
11	252535 252536 252532 252567	VALVE, SOLENOID CARTRIDGE, VALVE COIL KIT, SEAL	1 1 1 1
12	VLVPVDALEN 252566	PILOTED PRESS REDUCING VALVE KIT, SEAL	1 1
13	VLVCP55820 252556 244004 252568	PROPORTIONAL RELIEF VALVE ASSY CARTRIDGE, VALVE COIL KIT, SEAL	1 1 1 1
14	2502101 242101	CARTRIDGE, C/BALANCE KIT, SEAL	1 1
15	R13801972	FITTING; EL	1
16	224298	FITTING; EL	1
17	211560	FITTING; ST	4
18	223436	FITTING; TE	1
19	236824 R13804188	FITTING; ST FITTING; CAP	1 1
20	252544	CONSTRUCTION PLUG	1
21	HRN037367B	WIRE HARNESS; HYD SOL GROUND	1

NEEDLES AND YOKE ASSEMBLY



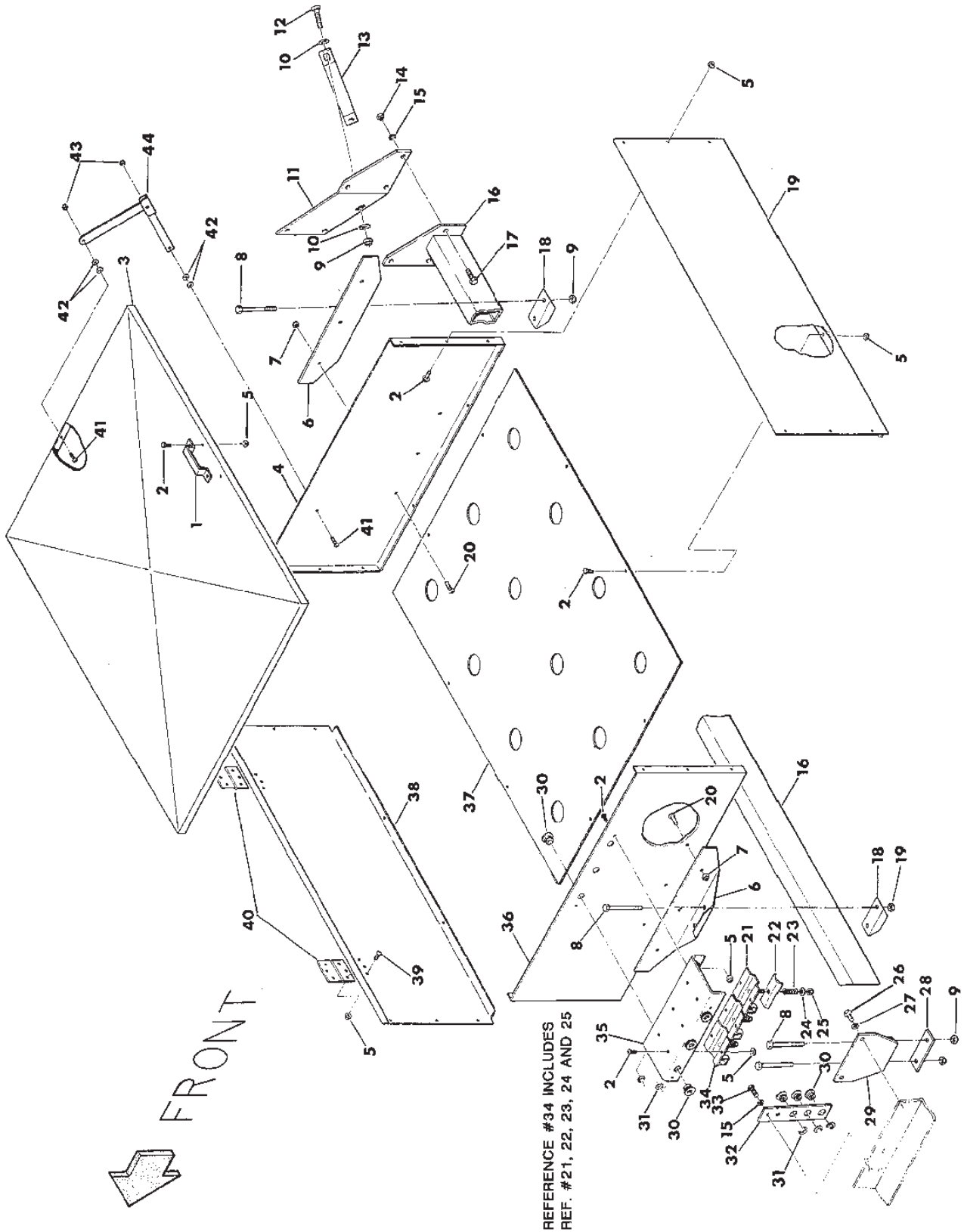
NEEDLES AND YOKE ASSEMBLY

REF NO.	PART NO.	DESCRIPTION	QTY. USED	REF NO.	PART NO.	DESCRIPTION	QTY. USED
1	F000007903	380 -NEEDLE YOKE	1	20	PIN0035710	PLUNGER STOP DOG PIN	1
	YOK0033716	385 NEEDLE YOKE	1	21	09417892	1/4 90° HEX ZERK	1
2	F000001611	380TWINE NEEDLE	3	22	F000007547	DOG STOP,PLUNGER 16"	1
	* 902580	385 TWINE NEEDLE	3		DOG0018185	STOP DOG 15" CONVERSION	1
	* 254784	PULLEY FOR 385 NEEDLE	3	23	YEE-2	LOCK COLLAR 1"	1
	* Y09G-0414	CAPSCREW; FOR 385 NEEDLE	3	24	F000007547	PLUNGER STOP DOG 16"	1
3	F000007552	NEEDLE TO YOKE CARR BOLT W/NUT	6	25	ZZ00000209	MACH BUSH; 1 X 1 1/2 X 18GA	2
4	221711W	NUT, HEX; 1/2 NC GR8	3	26	Y17C-1036	CAPSCREW; 5/8 NC X 2 1/4 GR8	2
5	221717W	NUT, HEX; 3/4 UNF	4	27	224121	NUT, ESNA; 5/8 NC GR8	2
6	226272	MACH BUSHING 1-1/4"X 3/4"X 10GA	A/R	28	234663	FLATWASHER 5/8	1
7	F000001549	RH NEEDLE YOKE DRIVE ROD END	2	29	ROD00000001	ROD END-PLUNGER STOP DOG	2
8	240568	GRADE 8 HEX NUT NF 3/4	2	30	217847	NUT, HEX; 5/8 NF GR8	2
9	00271638	CAPSCREW; 3/4 NF X 3 GR5 HX BLK	2	31	ROD035984B	PLUNGER DOG RETURN ROD	1
10	F000001550	LH NEEDLE YOKE DRIVE END	2	32	221569W	CAPSCREW; 1/2 UNC X 1 3/4	2
11	NFL0007500	HEX NUT 3/4" NF LH	2	33	LEV0015639	PLUNGER DOG RETURN LEV ASSY	1
12	F000007554	NEEDLE YOKE DRIVE ROD 380	2	34	09411507	WHIZ NUT NC 3/8 - PLATED	2
13	00271639	CAPSCREW; 3/4 NF X 3 1/4 GR5 HX BLK1	1	35	00103409	COTTER PIN 3/16" X 1-1/2"	3
14	SFC036488A	CAPSCREW; REWORK	1	36	ZZ00000208	MACH BUSH	3
15	901891	BEARING ASSY,YOKE	2	37	11079	STR HEX ZERK 1/4	1
	F000007523	. NEEDLE YOKE BEARING		38	F000007845	BRONZE 7/8" X 1" X 3/4"	2
16	WAS0001309	FLATWASHER -3/4 PLTD	2	39	223427	WASHER, FLAT; 3/8	2
17	224202	NUT, ESNA; 1/2 NC GR8	4	40	R13801813	CAPSCREW; 3/8 NC X 1 3/4 GR8	2
18	00179895	CAPSCREW; 1/2 NC X 3 1/2 GR5	4	41	R13811075	CAPSCREW; 1/2 NC X 1 1/2 GR8	2
19	00120396	WASHER, FLAT; 1/2 STL NARROW	4	42	SPG0020662	PLUNGER LATCH SPRING	1
				43	F000000856	TWINE GUIDE BUSHING	6
				44	F000000857	SNAP RING F/TWN GUIDE BUSHING	6

Starting with Serial Number ASC-0385-095

* 902580 Replaces NDL037234D
 * 254784 Replaces PUL0000001
 * Y09G-0414 Replaces 230668

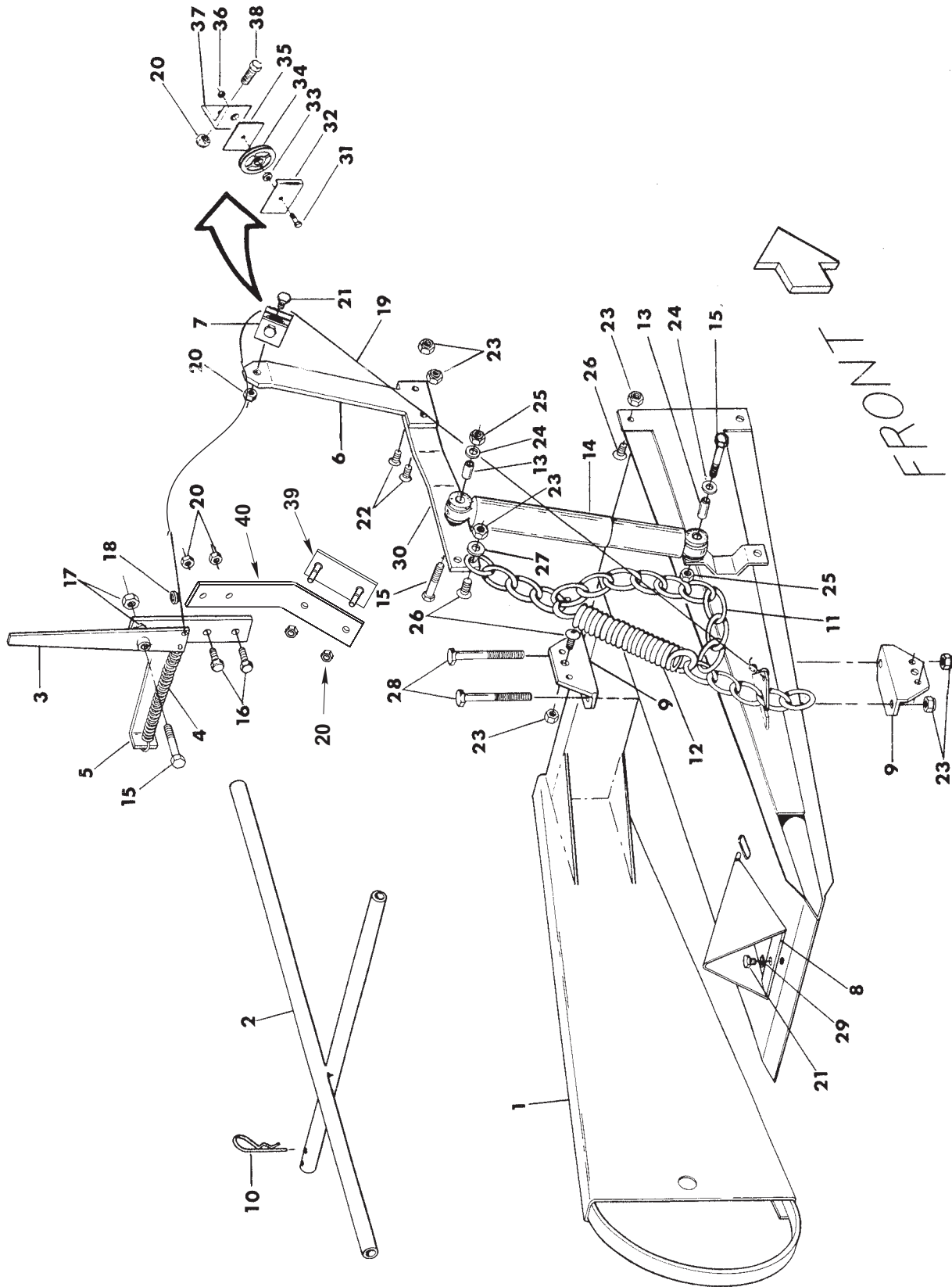
**OPTIONAL 12 COMPARTMENT TWINE BOX
BOX1741970**



OPTIONAL 12 COMPARTMENT TWINE BOX BOX1741970

REF NO.	PART NO.	DESCRIPTION	QTY. USED	REF NO.	PART NO.	DESCRIPTION	QTY. USED
1	HAN0017239	HANDLE F/TWINE BOX LID	1	22	F000007890	TWINE TENSIONS TOP	1
2	R13810989	CAPSCREW; 1/4 UNC X 1/2 HX HD	30	23	F000007541	COMPRESSIONS SPRING	1
3	BOX0018359	TWINE BOX LID 12-COMP	1	24	223428	FLAT WASHER 5/16	1
4	BOX0017245	RH TWINE BOX END 9 & 12 12 COMP	1	25	223588	NUT, ESNA; 5/16 NC GR5 HX	1
5	09416918	NUT, SERRATED; 1/4 NC GR5	30	26	R13801840	CAPSCREW; 1/2 UNC X 3/4 HX HD	2
6	BKT0017240	TWINE BOX END BKT - AFT/10-84	2	27	234665	WASHER, LOCK; 1/2	2
7	237567	NUT, ESNA; 3/8 NC GR8	9	28	F000007556	BOTTOM SUPPORT PLATE F/7555	1
8	SCC0050017	CAPSCREW; 1/2 NC X 5 1/2 GR5	6	29	F000007555	LH WIRE & TWINE BOX MOUNT BKT	1
9	223587	NUT, ESNA; 1/2 NC GR8	7	30	F000000856	TWINE & WIRE GUIDE BUSHING	9
10	239519	WASHER, FLAT; 1/2	2	31	F000000857	SNAP RING F/TWN GUIDE BUSHING	9
11	BKT0023328	BRACKET - 12 COMP TWN BOX	1	32	F000000525	HOLDER F/TWINE GUIDE BUSHING	1
11	BKT0022481	TWN BX TBE RH END BKT -A/89	1	33	162572W	CAPSCREW; 3/8 UNC X 3/4	2
12	221569W	CAPSCREW; 1/2 UNC X 1 3/4 HX HD	1	34	F000007891	TWINE TENSION ASSEMBLY	3
13	F000007705	RH WIRE BOX BKT BRACE	1	35	BKT0017242	TWINE GUIDE BRACKET-BT TWN BOX	1
14	R13809551	NUT, HEX; 3/8 NC GR5	3	36	BOX0017244	LH TWINE BOX END -9 & 12 COMP	1
15	234135	WASHER, LOCK; 3/8	5	37	BOX0018358	TWINE BOX BOTTOM-12 COMP	1
16	F000007938	TWINE BOX BASE TUBE	1	38	BOX0017526	TWINE BOX REAR PNL -12 COMP	1
16	TBX0020849	TWINE BOX BASE TUBE	1	39	SMT0001000	1/4" X 1/2" TH MACH SCREW - PLT	12
17	00180122	CAPSCREW; 3/8 NC X 1 GR5	3	40	HNG0000810	HINGE FOR TWINE BOX (PAIR)	1
18	CLP0017241	TWINE & WIRE CARRIER CLAMP BKT	2	41	SMR0001001	RND HD MS NC 1/4 X 3/4	2
19	BOX0017257	TWINE BOX FRONT PNL -12 COMP	1	42	R13811443	WASHER, FLAT; 1/4	5
20	18738W	CAPSCREW; 3/8 UNC X 1 BTN HD	6	43	235620	NUT, ESNA; 1/4 NC GR8	2
21	F000007889	TWINE TENSION BASE ASSEMBLY	1	44	PRP0010000	PROP FOR TWINE BOX LID	1

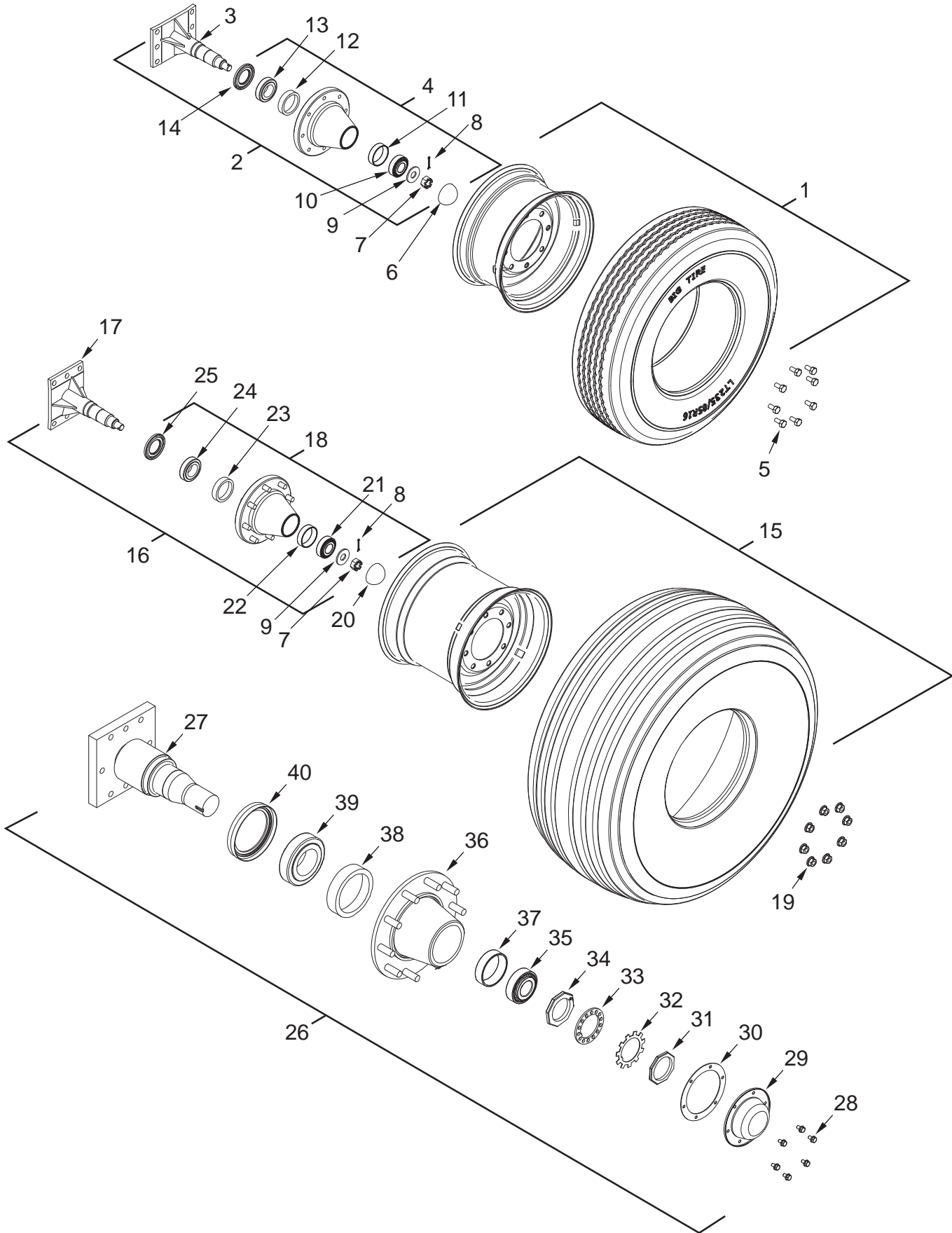
BALE CHUTE AND WEIGHT INDICATOR



BALE CHUTE AND WEIGHT INDICATOR

REF NO.	PART NO.	DESCRIPTION	QTY. USED	REF NO.	PART NO.	DESCRIPTION	QTY. USED
1	CHU0017876	BALE CHUTE	1	21	00180122	CAPSCREW; 3/8 NC X 1 GR5	1
2	F000007624	FLAT CHUTE ATTACH F/COMB	1	22	Y25G-0832	CAPSCREW; 1/2 UNC X 2 BTN HD	2
3	F000000998	BALE WT INDICATOR HAND	1	23	223587	ESNA NUT NC 1/2	4
4	F000000268	INDICATOR RETURN SPRING	1	24	R13811448	FLAT WASHER; 7/16	2
5	F000000997	WEIGHT INDICATOR BRACKET	1	25	224119	NUT, ESNA; 7/16 NC GR8	2
6	F000001639	BALE WT INDICATOR CABLE BKT	1	26	Y25G-0824	CAPSCREW; 1/2 UNC X 1 1/2 BTN HD	2
7	F000007236	SHEAVE COMPLETE	1	27	239519	WASHER, FLAT; 1/2	1
8	F000007655	BALE TURNER	1	28	SCC0050017	CAPSCREW; 1/2 NC X 5 1/2 GR5	2
9	F000007657	BALE SKID BRACKET	2	29	234135	WASHER, LOCK; 3/8	1
10	F000001019	HAIRPIN COTTER .148 F/ 5/8" PIN	2	30	F000001638	BALE WT INDIC SHOCK ABS BKT	1
11	F00007659	BALE CHUTE CHAIN	1	31	18466W	CAPSCREW; 1/4 UNC X 1 1/4 HX HD	1
12	F000000985	BALE CHUTE SPRING	1	32	F000000994	SHIELD F/CABLE SHEAVE ROLLER	1
13	F000000993	BUSHING, 3/8" X 1-1/2" PIPE	2	33	F000004068	BUSHING F/F4067 ROLLER	1
14	F000000988	SHOCK ABSORBER, F/BALE WT INDIC	1	34	F000004067	NYLON WIRE GUIDE ROLLER	1
15	R13811062	CAPSCREW; 7/16 NC X 3 GR8	3	35	F000000995	PLATE F/CABLE SHEAVE ROLLER	1
16	R13801813	CAPSCREW; 3/8 UNC X 1 3/4	2	36	235620	NUT, ESNA; 1/4 NC GR8	1
17	R13803713	HEX NUT NC 7/16	2	37	BKT0008104	MOUNTING ANGLE F/CABLE SHEAVE	1
18	F000000990	CABLE CLAMP 1/8"	2	38	223574	CAPSCREW; 1/4 NC X 3/4 GR5	1
19	F000007661	INDICAT CABL 1/8" AIRCRAFT-65"	1	39	MNT0033273	MNT,INDICATOR,BALE WEIGHT	1
20	237567	NUT, ESNA;A; 3/8 NC GR8	3	40	BKT0014239	SUP BRKT-BALE WEIGHT INDICATOR	1

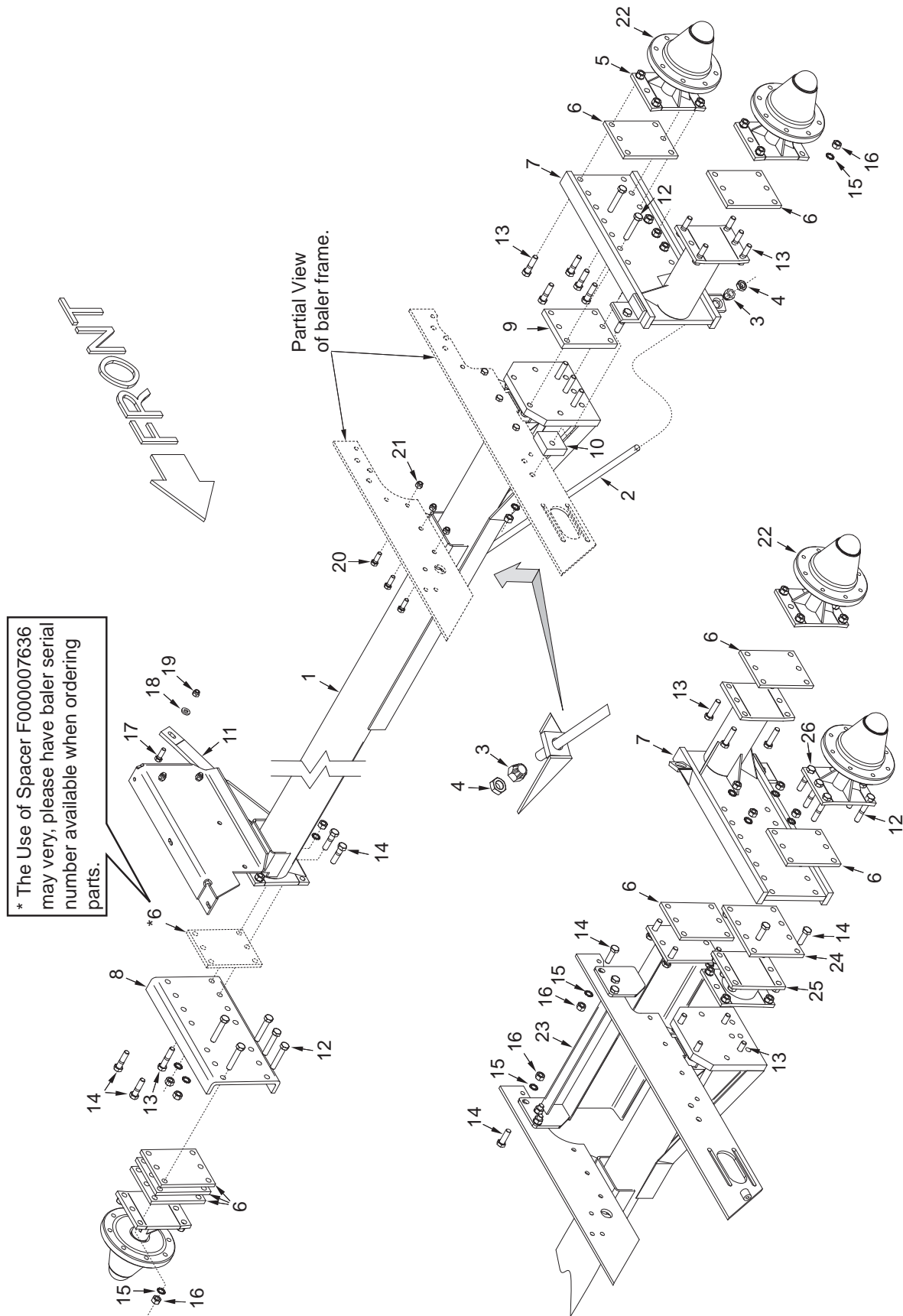
SPINDLES, TIRES AND WHEELS



SPINDLES, TIRES AND WHEELS

REF NO.	PART NO.	DESCRIPTION	QTY. USED
1	TIR0000002	TIRE & WHEEL ASSY; HIGHWAY TIRE	1
	. TIR7501608	10 PLY- HIGHWAY TIRE	1
	. WHL0106897	WHEEL F/IMP&HWY TIRE 8-HOLE	1
1	901467	TIRE & WHEEL ASSY;*; FLOTATION	1
	. F000008028	8-PLY FLOT TUBELESS	1
	. F000008184	WHEEL F/FLOT TIRE 11L15 8-HOLE	1
	. VLV0000415	STEM, VALVE	1
2	F000008003	HUB/SPINDLE ASSY;*C; 8-HOLE	1
3	F000007991	. SPINDLE	1
4	F000008002	. HUB ASSY, WHEEL	1
5	F000008001	. . LUG BOLT; 8-HOLE HUB	8
6	F000008000	. . HUB CAP - 8-HOLE HUB	1
7	F000007999	. . NUT F/WHEEL SPINDLE	1
8	00103387	. . PIN, COTTER; 1/8 X 1 1/2	1
9	F000007998	. . WASHER F/WHEEL SPINDLE	1
10	F000007997	. . BEARING CONE; OUTER	1
11	F000007996	. . OUTER BEARING CUP	1
12	F000007993	. . BEARING CUP; INNER	1
13	F000007994	. . BEARING CONE; INNER	1
14	F000007995	. . RETAINER, GREASE	1
15	WHL0000002	FLOAT TIRE WHL ASSY -8 -HOLE	1
	. TIR0165161	10 PLY TIRE	1
	. WHL0108191	WHEEL F/120"TRACK	1
16	SPN0287640	120" TRACKNG SPINDLE& HUB ASSY	1
17	SPN0028764	. LH SPINDLE ASSY-120"-AFT/7-94	1
18	HUB0287130	. HUB PACKAGE F/120"TRACK+1390	1
19	254070	. . NUT, WHEEL; 5/8 NF	8
20	254071	. . CAP, HUB	1
21	254074	. . OUTER CONE	1
22	254068	. . OUTER CUP	1
23	254067	. . INNER CUP	1
24	254073	. . INNER CONE	1
25	254072	. . SEAL, GREASE	1
26	SPN1024150	HUB/SPINDLE ASSY WALKING BEAM	1
27	SPN0030824	. SPINDLE WLDMT;*C; WALKING BEAM	1
28	SMS0000177	. BOLT, WHIZ; 5/16 NC X 1 ZC	6
29	HUB0070655	. CAP, GREASE WALKING BEAM	1
30	GSK3303009	. GASKET	1
31	NMS0000572	. NUT, AXLE	1
32	WLK0002237	. HEAVY STAR WASHER, LOCK	1
33	WLK0000573	. HEAVY WASHER, LOCK	1
34	NMS0000540	. NUT, AXLE	1
35	BRG0212049	. BEARING CONE, OUTER	1
36	HUB0102415	. HUB	1
37	136-0176	. . BEARING CUP, OUTER	1
38	136-0178	. . BEARING CUP, INNER	1
39	BRG0218418	. BEARING CONE, INNER	1
40	SEL006506U	. SEAL	1

AXLE AND TANDEM WHEEL PLATE ASSEMBLIES



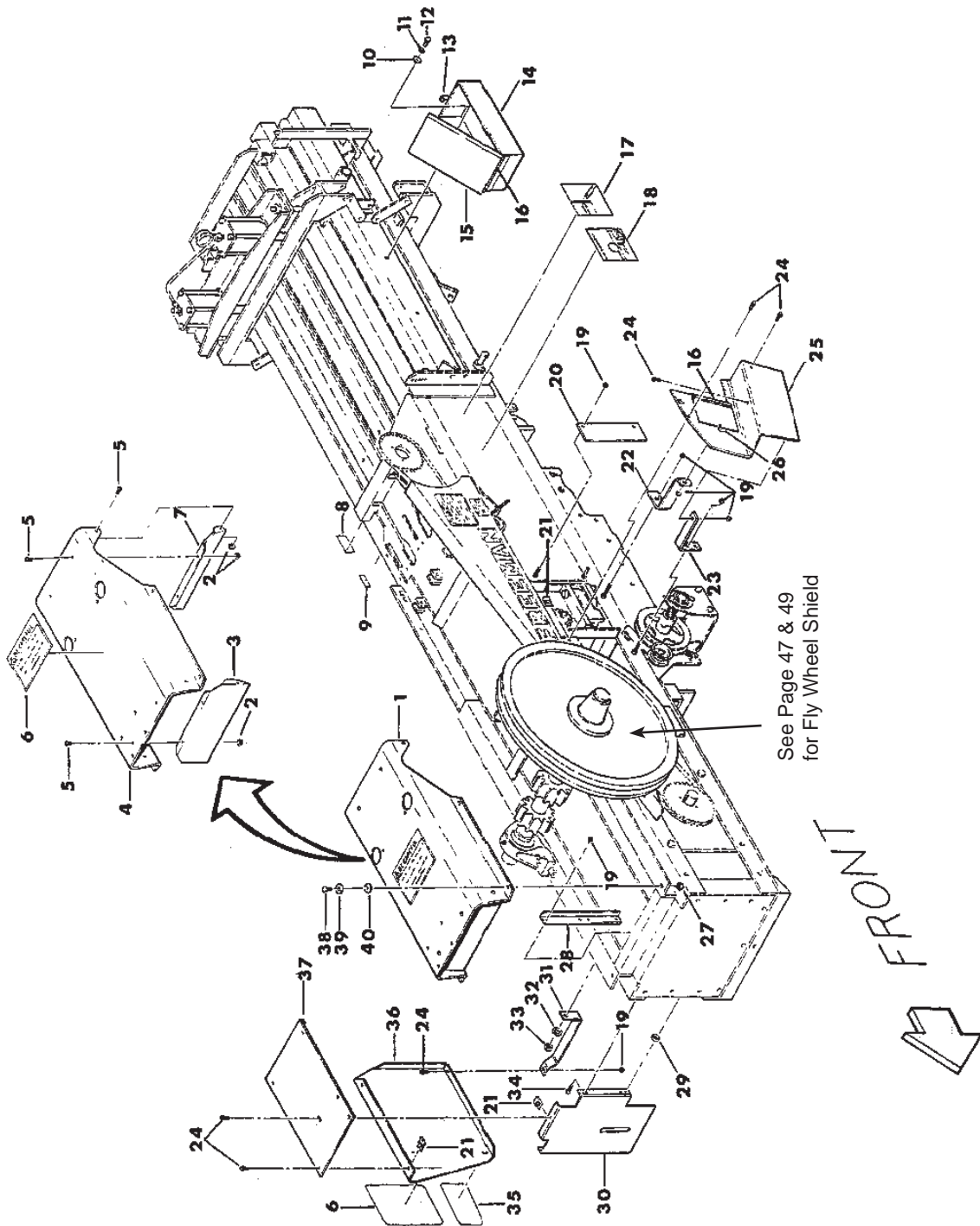
* The Use of Spacer F000007636 may vary, please have baler serial number available when ordering parts.

AXLE AND TANDEM WHEEL PLATE ASSEMBLIES

REF NO.	PART NO.	DESCRIPTION	QTY. USED
1	AXL003902	AXLE ASSEMBLY-PULL TYPE	1
2	RD00708600	TRUSS ROD -41"	1
3	NMS0007125	TRUSS ROD NUT 3/4" NF	2
4	R13809570	NUT, JAM; 3/4 NF GR2	2
5	F000008003	HUB/SPINDLE ASSY;*C; 8-HOLE	3
6	F000007636	SPACER PLATE	A/R / Hydro: 3
7	901626	WHEEL PLATE REG TIRE TANDEM	1
8	F000007756	PL,RH CHANNEL	1
9	PLT0026966	PL,SPACER	1
10	901274	BAR,SPACER	1
11	F000007705	BAR,RH BRACE	1
12	219530	CAPSCREW; 5/8 UNF X 3 1/2 HX HD	21 / Hydro: 4
13	R13807958	CAPSCREW; 5/8 UNF X 2 1/2 HX HD	21 / Hydro: 14
14	Y18C-1032	HEX HD CS NF 5/8 X 2	2 / Hydro: 8
15	WES0006250	STAR WASHER- 5/8" EXT.	1 / Hydro: 8
16	199594W	NUT, HEX; 5/8 UNF	A/R / Hydro: 28
17	229172	CAPSCREW; 1/2 UNC X 1 3/4	1
18	239519	WASHER, FLAT; 1/2	1
19	223587	NUT, ESNA; 1/2 NC	7
20	3501489	CAPSCREW; 1/2 NC X 2 GR8 HX	6
21	050-C8	NUT, 1/2NC GR8 PLAIN HEX	6
22	F000008003	HUB/SPINDLE ASSY;*C; 8-HOLE	AR
23	SUP0031138	CHANNEL,SUPT	1
24	SPC0031139	SPACER	1
25	F000008182	EXTENSION	1
26	R13806355	CAPSCREW; 5/8 UNF X 3 HX HD	2

See 80-798 Wheel Setup Instructions for complete part list and assembly instructions.

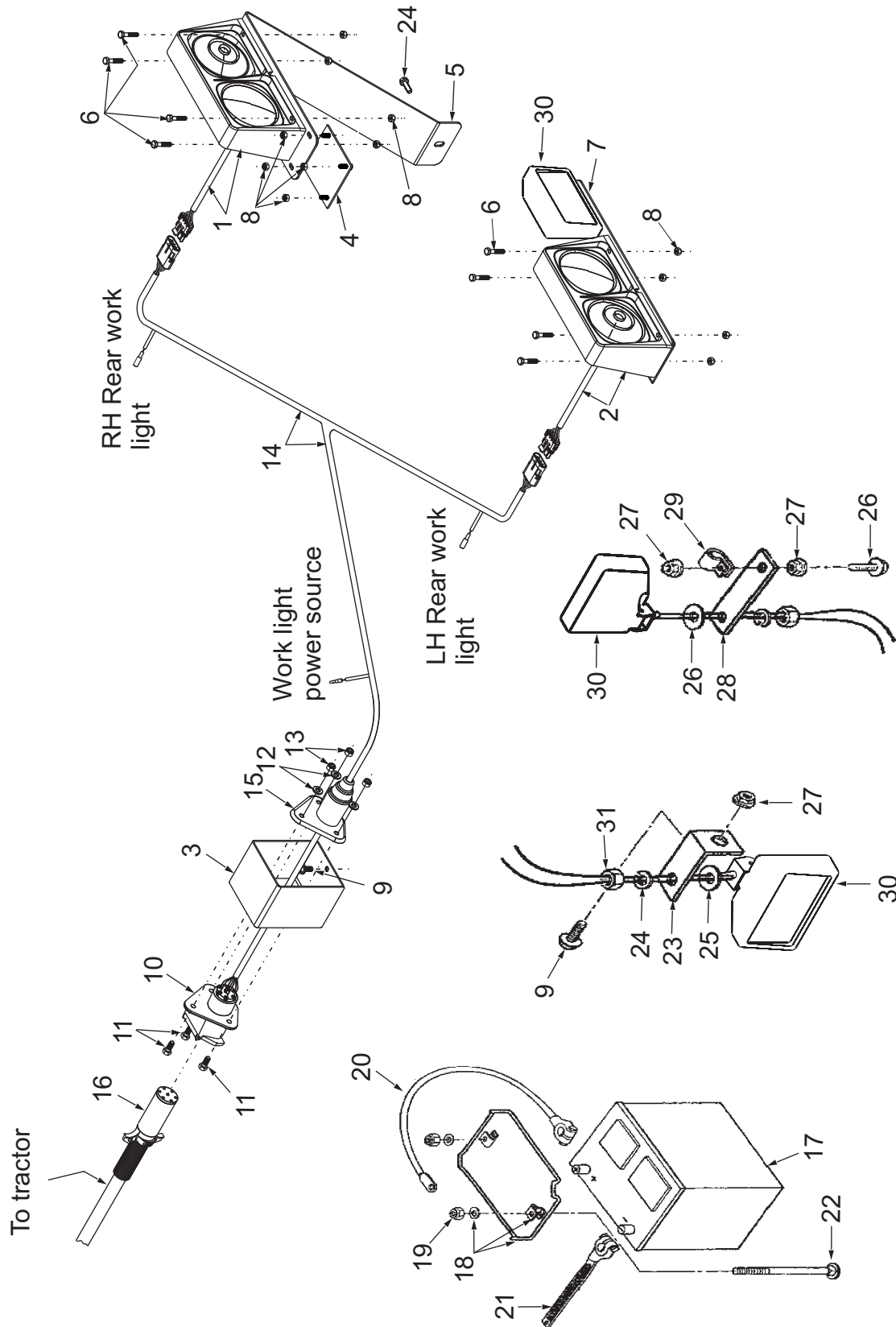
SHIELDS



SHIELDS

REF NO.	PART NO.	DESCRIPTION	QTY. USED	REF NO.	PART NO.	DESCRIPTION	QTY. USED
1	SHD0008648	BULLGEAR SHIELD COMPLETE	1	20	COV0008038	COVER PLATE	1
1	SHD00086480	BULL GEAR SHIELD-W/LUB-ENG	1	21	NCC0003125	CAGE NUT 5/16" NC	5
1	SHD00086481	BULL GEAR SHIELD-W/LUB-HYDRO	1	22	BKT0008024	REAR BKT-PICKUP DRIVE BELT SHD	1
2	09416918	WHIZ NUT - 1/4" NC	8	23	BKT0008037	FRONT BKT-PICKUP DRIV BELT SHD	1
3	SHD0008028	BULLGEAR SHIELD-FRONT SECT	1	24	SMS0000184	BOLT, WHIZ; 5/16 NC X 3/4	8
4	903474	BULLGEAR SHIELD	1	25	SHD0008040	PICKUP DRIVE BELT SHIELD	1
	FD00023473	. DECAL;B; CAUTION..... (9 1/4 X 10)	1	25	SHD0008026	PICKUP DRIV BELT SHD-MAIN SECT	1
5	00113955	MACH SCR; 1/4 NC X 1/2 RD HD	8	26	F000006108	CATCH FOR INSPECTION COVER	1
7	F000008148	REAR SECT BULLGEAR SHIELD	1	27	235620	NUT, ESNA; 1/4 NC GR8	4
8	NP00000100	SERIAL NUMBER ID PLATE	1	28	SHD0006906	MOUNT F/DRV ARM SHD FRONT SEC	1
9	FD00022124	DECAL,PATENT NUMBERS-HAY EQUIP	1	29	221711W	NUT, HEX; 1/2 UNC	1
10	223427	WASHER, FLAT; 3/8	2	30	SHD0006905	CRANK ARM SHIELD FRONT SEC	1
11	234135	WASHER, LOCK; 3/8	2	31	SHD0016332	BRACE-CRANK ARM SHIELD	1
12	00180122	CAPSCREW; 3/8 NC X 1 GR5	2	32	R13812518	WASHER, LOCK; 3/4	1
13	CLP0000130	HOOK-TYPE FASTNER	1	33	221717W	NUT, HEX; 3/4 UNF	1
14	BOX0007161	TOOL BOX	-PT 1	34	SMS0000177	BOLT, WHIZ; 5/16 NC X 1	2
15	LID0013053	TOOL BOX LID ASSEMBLY	-PT 1	36	903319	SHIELD & DECAL,CRANK ARM	1
16	COV0008025	P/U DRIV BELT SHD ACCESS COVER	1		FD00023473	DECAL, CAUTION	1
16	HNG0007094	7-1/2" TOOL BOX/DOOR SHD HINGE	2		FD00025126	DECAL, DANGER	1
16	RIV0000122	SS RIVET -3/16" X .126-250 GRIP	12	37	SHD0007002	CRANK ARM SHD TOP SECTION 3TIE	1
17	FD00007126	DECAL - NEEDLE ADJUSMENT	1	38	18466W	CAPSCREW; 1/4 UNC X 1 1/4 HX HD	4
18	FD00008193	DECAL-"AVOID EQUIPMENT DAMAGE"	1	39	R13811443	WASHER, FLAT; 1/4	4
19	00273802	NUT, SERRATED; 5/16 NC GR5	10	40	F000007550	GROMMET F/BULL GEAR SHIELD	4

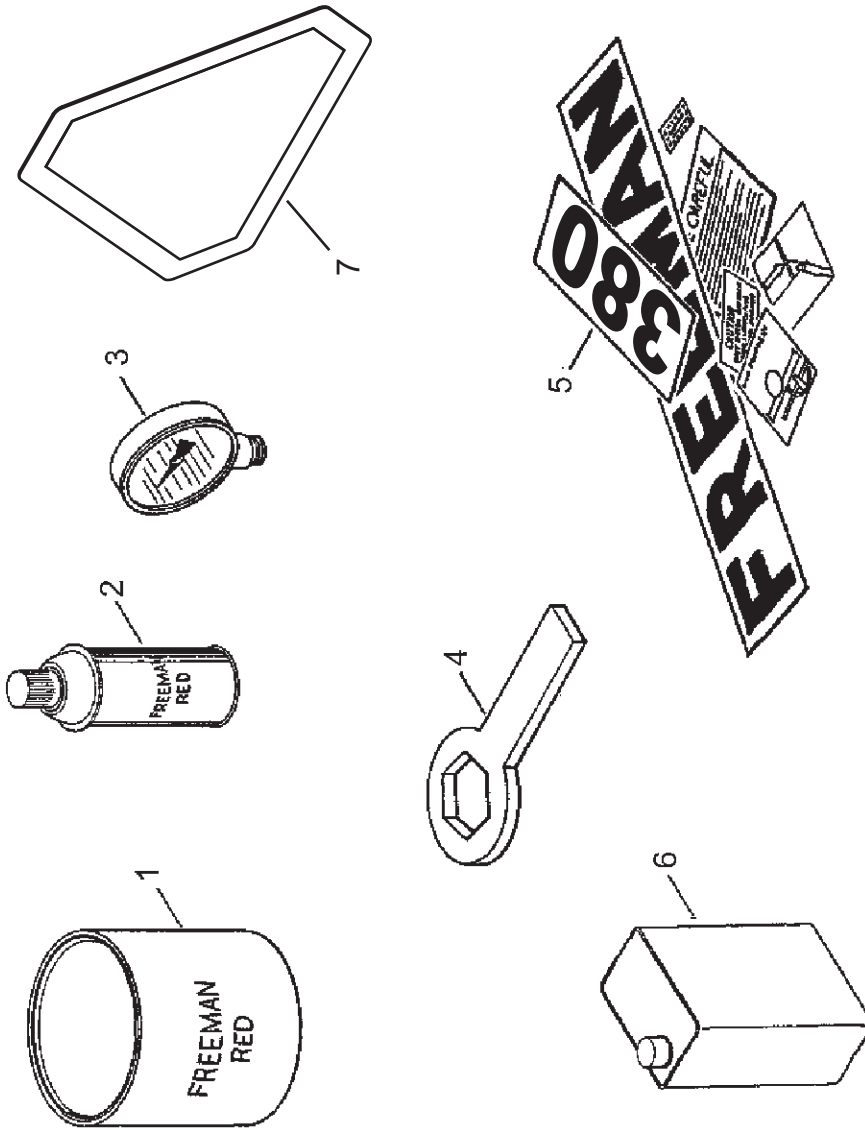
HIGHWAY LIGHTS



HIGHWAY LIGHTS

REF NO.	PART NO.	DESCRIPTION	QTY. USED	REF NO.	PART NO.	DESCRIPTION	QTY. USED
1	LIT037164B	RH HIGHWAY LIGHT ASSY	1	19	237567	ESNA NUT 3/8-16 PLATED	2
2	LIT037163B	LH HIGHWAY LIGHT ASSY	1	20	F000007743	BATTERY CABLE-INSULATED-12V	1
3	BKT037159B	HWY LIGHT HARNESS PLUG BRCKET	1	21	F000005499	BATTERY HOLD DOWN-GRP 24 SIZE	1
4	BKT037150A	RH LIGHT MOUNTING BRACKET ASSY	1	22	CRB3750009	CARRIAGE BOLT 3/8-16 X 9"	2
5	BKT037149B	RH REAR LIGHT MOUNT BRACKET	1	23	F000006577	FRONT LIGHT BRACKET	1
6	18466W	CAPSCREW; 1/4 UNC X 1 1/4 HX HD	8	24	234665	WASHER, LOCK; 1/2	2
7	BKT037152B	LH LIGHT MOUNT BRACKET	1	25	239519	FLAT WASHER 1/2	2
8	09416918	NUT, SERRATED; 1/4 NC GR5	12	26	SMS0000815	BOLT, WHIZ; 5/16 NC X 1 1/4	2
9	SMS0000184	WHIZ BOLT 5/16 X 3/4 NC	2	27	00273802	WHIZ NUT 5/16-18	3
10	SOK0012310	ELECTRICAL SOCKET, 7 POLE	1	28	F000008062	RIGHT REAR LIGHT BRACKET	1
11	R13801791	CAPSCREW; 5/16 UNC X 3/4 HX HD	3	29	CLP0000123	VINYL CLAMP 3/4"OD X 11/32"HOLE	1
12	R13811444	FLAT WASHER SAE 5/16"	3	30	LIT7189802	WORK LIGHT	3
13	223588	NUT, ESNA; 5/16 NC GR5 HX	3	31	221712W	HEX NUT NF 1/2	4
14	HRN037162D	HIGHWAY LIGHTING HARNESS	1				
15	SOK0000007	SOCKET BOOT	1				
16	CBL0011127	CABLE ASSEMBLY	1				
17	BAT0277000	BATTERY-12V 700 HD-GROUP 27	1				
18	CIP6651501	BATTERY HOLD DOWN-GRP 27 SIZE	1				

EXTRA ITEMS



EXTRA ITEMS

REF NO.	PART NO.	DESCRIPTION	QTY. USED
1	PNT0085350	ONE GALLON RED BALER PAINT	A/R
1	PNT0085125	ONE GALLON WHITE BALER PAINT	A/R
2	F00000770	FREEMAN RED PAINT-SPRAY CAN	A/R
2	F000001677	FREEMAN WHITE PAINT, SPARY	A/R
3	GAG0001000	TENS CONT GAUGE-2000# LIQ FILL	1
4	WRN035826B	FEED FORK PIVOT SHF WRENCH	1
5	900411	DECAL SET - PULL TYPE 380	1
	900410	DECAL SET - PULL TYPE 385	1
6	F000007626	BULLGEAR GREASE 1-GAL	A/R
7	SGN0024006	"SLOW MOVING VEHICLE"-AF/2/00	1
	BKT0000001	BRACKET F/SLOW MOVING VEH SIGN	1
	MNT0000001	KIT, SIGN MTG	1
	00273802	NUT, SERRATED; 5/16 NC	2
	SMS0000184	BOLT, WHIZ; 5/16 NC X 3/4 ZC	2
	SMS0000173	BOLT, WHIZ; 1/4 NC X 1/2 ZC	2
	09416918	NUT, SERRATED; 1/4 NC GR5	2

Part No.	Description	Page No.	Part No.	Description	Page No.
11079	HEX ZERK 1/4"-28 STR 5/16"	51,67,117	218970	FITTING.....	31
11767	KIT, SPLIT FLANGE	29	223436	FITTING; TE	115
12663	FITTING; EL.....	113	223572	FITTING; ST	109
17707	FITTING.....	3	224073	HOSE ASSY (ENG BALER ONLY).....	53
19071	FITTING.....	31	224298	FITTING; EL.....	115
19920	FITTING; EL.....	113	225370	CLAMP, T-BOLT.....	19
22308	3/4"O'RING X 3/4M 90*PIPE	113	226272	3/4" X 10GA MACHINE BUSHING	67,117
23581	FITTING.....	41	226307	CLAMP, T-BOLT.....	19
23834	FITTING.....	35	229171	HEX HEAD CAP SCREW 1/2-13 X 1-1/2..	5
23945	FITTING; EL.....	113	229172	CAPSCREW; 1/2 UNC X 1 3/4	125
23955	HOSE ASSY	113	229289	TOGGLE SWITCH.....	13,17,31,111
25363	HOSE ASSY	113	229443	FITTING; EL.....	35,53
27626	HOSE ASSY	113	230839	CONNECTOR, CORD	39
28475	.FITTING; TE	35	231044	RING, SEAL.....	13,39
28561	FITTING.....	31	231252	CLAMP	31
28928	HOSE ASSEMBLY.....	29	233143	HOSE ASSEMBLY.....	29
48688	KEY.....	31,81,83	233464	HOSE ASSEMBLY.....	29
103384	COTTER PIN 1/8" X 3/4"	67,101	233464	HOSE ASSY	113
103385	PIN, COTTER; 1/8 X 1.....	5,31,91	235207	ELEC ACTUATOR W/INTERNAL SWITCH 7	
103387	PIN, COTTER; 1/8 X 1 1/2.....	123	236824	FITTING; ST	115
103409	COTTER PIN 3/16" X 1-1/2"	117	237745	HOSE ASSEMBLY.....	29
121209	STD BLK PIPE NIPPLE 1/4 X 3"	35	242101	KIT, SEAL.....	115
191758	HEX ZERK 1/8 NPT STR 7/16	45,55,71	242826	HOSE ASSEMBLY.....	29
200274	CIRCUIT BREAKER	13	244004	COIL.....	115
203516	O-RING.....	29	245285	HOSE ASSY	113
206322	FITTING.....	31	245873	HOSE ASSY	113
208111	CONNECTOR, CORD	13	245958	HOSE ASSEMBLY.....	29
208713	EL.....	113	248075	HOSE ASSY	113
209087	FITTING.....	31	251611	HOSE ASSY	85,113
209161	FITTING.....	31	251612	HOSE ASSY	113
209166	FITTING.....	31	252293	MUFFLER.....	19
209215	FITTING.....	31,113	252494	OIL FILTER	7
209410	FITTING.....	41	252495	VALVE, SOLENOID ASSY.....	115
209413	FITTING.....	31	252527	PLATE, COVER.....	27
209417	FITTING.....	31,113	252530	CARTRIDGE, VALVE.....	115
209427	FITTING.....	31	252534	CARTRIDGE, VALVE.....	115
209485	FITTING, FF	29	252535	VALVE, SOLENOID	115
209498	FITTING, CR.....	31	252536	CARTRIDGE, VALVE.....	115
209500	FITTING; ST	53	252543	MANIFOLD ONLY.....	115
209508	FITTING.....	31	252544	CONSTRUCTION PLUG	115
209511	PLUG, 1/8" STEEL HEX	109	252556	CARTRIDGE, VALVE.....	115
209537	CLAMP HALF	29	252562	CARTRIDGE.....	115
209578	CLAMP	35	252563	KIT, SEAL.....	115
209757	FITTING.....	31	252566	KIT, SEAL.....	115
209759	FITTING.....	31	252567	KIT, SEAL.....	115
209763	FITTING; ST	3	252568	KIT, SEAL.....	115
209794	FITTING; FF	35,53	252601	BANJO FITTING	19
209806	FITTING; ST,	113	252619	RELAY	39
209901	FITTING.....	31	252639	CABLE REMOTE CONTROL TO C/BOX9,11	
210767	FITTING.....	31	252640	CABLE DVC10 TO CONTROL BOX	9
211304	WASHER, HARD 1/2.....	5	252742	PRECLEANER	19
211550	FITTING; ST	115	252800	FILTER ASSY, INLINE PRESSURE ..	21,113
211560	FITTING; ST	115	252801	ELEMENT, FILTER	21,113
213327	FITTING, FF	29	252867	HOSE ASSY	113
214179	FITTING.....	31	252913	TRIP SPRING.....	99
215203	FITTING.....	3	252958	FILTER HEAD.....	21,113
215207	FITTING.....	29	253015	SOLENOID	7
215515	FITTING.....	31	253215	WIRE HARNESS; DVC 10	11
217494	FITTING.....	31	253215	CABLE, CAN BUS	31

Part No.	Description	Page No.	Part No.	Description	Page No.
253270	HARDENED BILL HOOK PINION	87	900420	WIRE HARNESS	13
253271	SPIRAL PIN F/KNOTTER GEARS	87	900423	WIRE HARNESS	13
253343	COOLING FAN BELT 914 MOTOR 4 CYL 7		900538	TWINE FINGER.....	99
253423	HOSE ASSEMBLY.....	29	900597	FAN ASSY,KNOTTER; 3-TIE BALERS...	111
253425	HOSE ASSEMBLY.....	29	900928	PICKUP CAM	77
253432	HOSE ASSEMBLY.....	29	901211	BOX	15,17
253618	HOSE ASSEMBLY.....	29	901274	BAR,SPACER.....	125
253621	HOSE ASSEMBLY.....	29	901382	TANK ASSEMBLY.....	29
253622	HOSE ASSEMBLY.....	29	901383	TANK WELDMENT,HYDRAULIC 41 GAL	31
253694	FITTING; 45° (BRASS).....	51	901387	WIRE HARNESS; KNOTTER FAN.....	111
253836	SPROCKET, DRIVE	101	901391	COVER	15,17
254067	INNER CUP	123	901392	REMOTE CTRL BOX ASSEMBLY.....	17
254068	OUTER CUP.....	123	901393	DECAL.....	17
254070	NUT, WHEEL; 5/8 NF	123	901394	WIRE HARNESS	15
254071	CAP, HUB	123	901423	WIRE HARNESS	39
254072	SEAL, GREASE.....	123	901425	WIRE HARNESS	39
254073	INNER CONE	123	901426	WIRE HARNESS.....	39
254074	OUTER CONE.....	123	901427	WIRE HARNESS.....	39
254142	BRACKET, ACCUMULATOR;	21	901442	WIRE HARNESS,ENGINE; DEUTZ 914..	11
254198	HOSE ASSY	113	901445	PLATE,MOUNTING	31
254784	PULLEY FOR 385 NEEDLE	117	901467	TIRE & WHEEL ASSY;*; FLOTATION ...	123
254811	PINION ROLL PIN	93	901524	FAN.....	35
254896	AIR CLEANER ASSY; STYLE A (METAL)	19	901532	HARNESS; HIGHWAY LIGHTING.....	11
255118	REDUCER, INSERT	19	901573	MANIFOLD ASSEMBLY	35
255120	REDUCER, HUMP HOSE	19	901578	PICKUP FRAME WELDMENT	77
255309	TWINE HOLDER ONLY.....	93	901626	WHEEL PLATE REG TIRE TANDEM	125
255311	KNOTTER FRAME SHIM 0.5 MM.....	93	901673	PLATE,SPACER	31
255312	KNOTTER FRAME SHIM 0.2 MM.....	93	901681	ROD.....	31
255313	BEARING SHIM 0.1 MM.....	93	901697	GASKET	31
255314	BEARING SHIM 1.0 MM.....	93	901725	BRACKET BELT SHIELD -HYD	49
255315	BEARING REAR SHIM 0.1 MM	93	901747	PLATE,COVER.....	31
255316	BEARING REAR SHIM 0.2 MM	93	901758	SUPPORT WLDMT,HYD LINE	3
255492	BODY CLAMP	19	901760	PLATE,MTG.....	3
255493	COVER	19	901761	PLATE,SPACER	3
255494	FILTER, PRIMARY	19	901763	V-RAIL,LOAD.....	3
255495	FILTER, SAFETY.....	19	901837	COOLING FAN BELT 914 MOTOR 4 CYL	9
255496	BODY.....	19	901891	BEARING ASSY, YOKE.....	117
255497	VALVE, ACTUATOR	19	901960	CONNECTOR ROD KIT COMP	51
255583	FUSE, 80 AMP.....	11	902045	PLATE WELDMENT,BACK.....	23
255605	HOSE ASSEMBLY.....	29	902050	SNORKEL ASSEMBLY,W/DOOR	23
255650	HOSE ASSEMBLY.....	29	902145	SUPPORT WELDMENT	23
255653	VALVE, OVER FLOW	19	902146	PIPE.....	23
255664	DIP STICK	7	902148	BRACKET ASSEMBLY,SIDE	23
255665	OIL FILLER CAP-DEUTZ ENGINE.....	7	902154	DRAWBAR ASSY,SIDE FEED BALERS ...	1
256328	GROMMET	35	902154	DRAWBAR ASSY,SIDE FEED BALERS ...	3
256382	KIT, SEAL;A; GEAR PUMP	113	902165	HOSE, FUEL.....	19
256508	O-RING.....	21	902222	HOSE ASSY	113
256629	HYDRAULIC GEAR PUMP	113	902265	PL,TANK MNT	21
576690	DECAL; ON OFF	111	902403	BRACKET SUPPORT-HYD.....	49
900024	GROUND WIRE	111	902426	CONTROL BOX ASSEMBLY, REMOTE..	15
900055	PLATE, SUPPORT	7	902427	DECAL.....	15
900057	PLATE,BRACE	7	902440	BRACKET-HYD	49
900387	WIRE HARNESS; DVC 10	9	902447	PL,SHIM	21
900392	CONTROL BOX ASSEMBLY,DVC10.....	13	902474	ACCUMULATOR	31
900393	BOX	13	902534	PLATE,TOP 385	63
900410	DECAL SET - PULL TYPE 385.....	131	902535	PLATE,TOP 380	63
900411	DECAL SET - PULL TYPE 380.....	131	902580	385 TWINE NEEDLE	117
900419	WIRE HARNESS.....	13	902681	END; FEEDER HOUSE COVER.....	75
900419	WIRE HARNESS.....	39	902703	BLOCK,TRACK F/15 & 16 CHM.....	59

Part No.	Description	Page No.
902728	PL,BTM LINER F/14 ,15 ,16 CHM.....	59
902755	BILL HOOK (COMPLETE).....	93
902776	TWINE PULLER MOUNT	41
902789	PLATE, MOUNTING	19
902904	TUBE, SPACER.....	19
902909	ELBOW.....	19
902913	TUBE	19
902962	TWINE HOLDER KNIFE FASTENERS ...	93
903115	SWITCH, PROX	5
903117	HARN BAT TO KNT FAN BREAKER...11,39	
903119	BLOCK,TRACK F/14 CHM	59
903139	WIRE HARNESS	39
903141	JUNCTION BOX ASSEMBLY	31
903141	JUNCTION BOX ASSY.....	39
903142	WIRE HARNE; KNOTTER FAN SWITCH 11	
903143	BOX	39
903166	WIRE HARNESS,REMOTE BOX	17
903175	DRIVE BELT SHIELD ENG	47
903181	REAR KNOTTER CHAIN SHIELD	101
903190	DISPLAY	15,17
903248	WIRE HARNESS,ENGINE; DEUTZ 914 ...	9
903276	DRIVE BELT SHIELD HYD.....	49
903277	PLATE,SHROUD W/DECAL.....	111
903280	PLATE, RH SHROUD	35
903281	SHIELD EXT & DECAL.....	47
903287	R.H. DRIVE ARM SHIELD.....	73
903288	RH SIDE SHD OVER P/U REAR SECT..	73
903291	SHIELD & DECAL,PICKUP FNT 380	73
903292	SHIELD & DECAL,PICKUP FNT 385	73
903311	SHIELD & DECAL,FACE PLATE; 380.....	73
903312	SHIELD & DECAL,FACE PLATE; 385.....	73
903313	SHIELD WELDMENT,ALT BELT.....	23
903314	AUTO LUBER CHAIN SHIELD.....	109
903317	WIRE HARNESS	35
903319	SHIELD & DECAL,CRANK ARM	127
903324	SHIELD & DECAL,REAR PICKUP; 380..	73
903325	SHIELD & DECAL,REAR PICKUP; 385 .	73
903326	FUEL TANK 30 GAL.	19
903327	BULL GEAR LUBER TANK & PUMP.....	53
903397	SHIM .1875".....	55
903474	BULLGEAR SHIELD.....	127
903475	FUEL TANK - OPTION 20 GAL	19
903477	CHECK VALVE-F/HYDRAULICRO PTO .	31
2500282	KIT, SEAL.....	115
4193359	FITTING	31
4200115	ELBOW, RUBBER	19
9417892	1/4 90° HEX ZERK	117
03-159	TERMINAL BLOCK; 3 POST.....	99,103
05-130	SPACER	75
059-0042	FITTING.....	3
136-0176	BEARING CUP, OUTER.....	123
136-0178	BEARING CUP, INNER	123
2305473W	CONTROL MODULE DVC10	5,31
ACL0000004	MINI RESTRICTION INDICATOR	19
ACL0000005	INSERT, RUBBER.....	19
ACL0004307	BAND, MOUNTING	19
ACMSBO2102	HYDRAULIC ACCUMULATOR	21,113
ACTS121728	ELE ACTUATOR W/INTERNAL SWITCH ..	7
ANC0009635	PLATE, ANCHOR	31

Part No.	Description	Page No.
ANC0023975	KNOTTER HEAD ANCHOR ASSY 3TIE ..	89
ANC0033729	ANCHOR, KNOTTER	97
AO00000250	FABERIC WIRE LOOM-PER FOOT 1/4"	109
ARM000027	1991 FEEDARM CONROD-BLK TO BLK 65	
ARM0007155	BAR,ARM	29
AUG0020830	PLATE,SCREWAPER.....	77
AUG0020974	AUGER WELDMENT.....	77
AUG0022358	TROUGH WELDMENT,AUGER	77
AXL003902	AXLE ASSEMBLY-PULL TYPE	125
BAB0002140	TERMINAL BLOCK	13
BAR0007975	BAR,ANCHOR	45
BAR0033189	ANGLE	77
BAT0277000	BATTERY-12V 700 HD-GROUP 27.....	129
BKT0000001	BRACKET F/SLOW MOVING VEH SIGN131	
BKT0006715	BRACKET.....	29
BKT0008024	REAR BKT-PICKUP DRIVE BELT SHD .	127
BKT0008037	FRONT BKT-PICKUP DRIV BELT SHD .	127
BKT0008104	MOUNTING ANGLE F/CABLE SHEAVE	121
BKT0011131	BRACKET-HYD & ENG	47,49
BKT0014239	SUP BRKT-BALE WEIGHT INDICATOR	121
BKT0016306	DRAWBAR BRACKET ASSY	5
BKT0016324	P/UP DAMPER SPRING BRACKET	5
BKT0017240	TWINE BOX END BKT - AFT/10-84.....	119
BKT0017242	TWINE GUIDE BRACKET-BT TWN BOX119	
BKT0017814	BRACKET BELT SHIELD -HYD	47
BKT0022481	BRACKET,RH.....	81,119
BKT0023328	BRACKET - 12 COMP TWN BOX	119
BKT0032971	BRACKET FOR LUBER MANIFOLD	109
BKT0033732	BRACKET, KNOTTER ANCHOR	97
BKT037149B	RH REAR LIGHT MOUNT BRACKET ...	129
BKT037150A	RH LIGHT MOUNTING BRACKET ASSY129	
BKT037152B	LH LIGHT MOUNT BRACKET	129
BKT037159B	BRACKET WLDMT; PUMP STAND 1,13,129	
BKT037356B	BRACKET	41,113
BLK0024063	BEARING BLOCK	65
BLK0240630	BEARING BLK W/CUPS & SNAP RNGS.	65
BMP0004243	BUMPER, RUBBER	23,73,97
BOX0007161	TOOL BOX -PT.	127
BOX0017244	LH TWINE BOX END -9 & 12 COMP	119
BOX0017245	RH TWINE BOX END 9 & 12 12 COMP ..	119
BOX0017257	TWINE BOX FRONT PNL -12 COMP.....	119
BOX0017526	TWINE BOX REAR PNL -12 COMP	119
BOX0018358	TWINE BOX BOTTOM-12 COMP.....	119
BOX0018359	TWINE BOX LID 12-COMP	119
BRC0025469	REAR BELT SHIELD BRACE	47
BRC0025469	FRONT BELT SHIELD BRACE	47
BRG0000020	BRG INSERT	45
BRG0000128	INNER RACE BEARING	31
BRG0000202	1-1/4" FLANGE BRG F/370 PU DRIVE ...	83
BRG0001300	ROD END BEARING LH	99
BRG0001301	ROD END BEARING RH.....	99
BRG0001572	CAM FOLLOWER -1-1/4	105
BRG0001636	TOP ROLLER BEARING	55
BRG0005500	BEARING "BALL JOINT"	41
BRG0006219	BEARING ASSEMBLY.....	77
BRG0012600	BEARING W/SEAL	65
BRG0012610	BEARING CUP	65
BRG0048500	BEARING W/SEAL	65
BRG0048510	BEARING CUP	65

Part No.	Description	Page No.	Part No.	Description	Page No.
BRG0067000	BEARING.....	77	CLP0000130	. HOOK-TYPE FASTENER....	35,53,111,127
BRG0076523	PINION BRG & HSNQ COMP 2-7/16"	45	CLP0017241	TWINE & WIRE CARRIER CLAMP BKT	119
BRG0212049	BEARING CONE, OUTER.....	123	CLP0032525	PLATE,CLAMP F/CUS0032524.....	63
BRG0218418	BEARING CONE, INNER	123	CLP0035751	HD EXHAUST CLAMP 2-1/2"	19
BRG51FLMX8	BEARING,2 BOLT FLANGE	99	CLP2110692	MOUNT CLAMP F/ HYD ACCUMULATOR	31
BSH0001610	PICKUP AUGER BUSH 1-3/8" BORE	77	CLR0002094	MOUNTING BLOCK-OIL COOLER	35
BSH0007127	FLYWHEEL BUSHING-PAIR 2-7/16"	45	CLR0002353	TEE NUT-OIL COOLER MOUNT	35
BSH0011985	DRAWBAR BUSHING	1	COT0000301	COTTER PIN 3/32 X 3/4.....	7
BSH00VG400	BUSHING, TENSION	41	COT0000500	PIN, COTTER; 1/8 X 1/2.....	63
BSH0162048	HAY SAVER WHEEL BUSHING.....	71	COT0000502	1/8" X 1" COTTER PIN	105
BSH1001125	MALLEABLE TAPER LOCK BSH 1-1/8...	31	COT0000503	COTTER PIN 1/8 X 1-1/4	71
CAM0007180	CAM FORTWINE FINGER	89	COT0000505	COTTER PIN 1/8" X 1-3/4"	71
CAM0033355	LEVER ASSEMBLY,CAM.....	77	COT0000801	PIN, COTTER; 3/16 X 1.....	63
CAM0033569	CAM WLDMT,*B; TWINE FINGER	97	COT0000803	COTTER PIN 3/16" X 1-1/2"	105
CAP0001390	CAP ONLY	21,113	COT0001006	COTTER PIN 1/4" X 2-1/2"	65
CBK0005515	CIRCUIT BREAKER	13	COV0008025	P/U DRIV BELT SHD ACCESS COVER	127
CBK0014520	CIRCUIT BREAKER	13	COV0008038	COVER PLATE	127
CBL0011127	CABLE ASSY;TRACTOR TO D/BAR9,11,129		COV036154A	PL,COVER.....	103
CHN0000370	AG SAFETY CHAIN ASSY-370,380	1	CPL0080104	COUPLER, MALE.....	29
CHN0006240	TWINE KNOTTER CHAIN.....	101	CRA0013775	BULLGEAR LUBER CRANK HANDLE ...	53
CHN0016368	CHAIN.....	81	CRA0024058	STD CRANK ARM-AFT 12/90 -3 TIE.....	65
CHN0040125	CHAIN - PICKUP CHAIN-370.....	77	CRB0001904	HAY SAVER DISC ASSY-COMplete	71
CHN0060139	PICKUP DRIVE CHAIN F/270/370 ...	81,101	CUS0032524	TOP PAD; 385	63
CHU0017876	BALE CHUTE	121	CVR0020465	P/U TOP FRONT COVER 15" & 16".....	75
CIP6651501	BATTERY HOLD DOWN-GRP 27 SIZE	129	CVR0024052	FEEDARM YOKE BRG CAP	65
CIR0029071	MODULE ASY, AUTO SHUTDOWN	13	CYL0009014	CYLINDER- HYDRAULIC SWINGBAR	1,113
CLH0017773	ADAPTER WELDMENT	83	CYL0033749	VERTICAL TENSION CYLINDER	41,113
CLH0017849	PLATE,DISC	83	DEF0022860	PLATE,DEFLECTOR	77
CLH0020799	KNOTTER CLUTCH PAWL 1987	101	DOG0018185	STOP DOG 15" CONVERSION.....	117
CLH0021222	PLATE ASSEMBLY,P/U CLUTCH.....	83	DOG0018520	HAY DOG BOTTOM KITTED 16 TO 15...	63
CLH0203061	LOCK BOLT	27	DOG0035704	TOP HAY DOG 385	63
CLH0203569	FACING PLATE	25	DPT0034314	ADAPTER F/14 & 15 CHM.....	59
CLH0204230	BELL HOUSING	27	DRB036551E	DRAWBAR ASSEMBLY	1
CLH0204485	CLUTCH KEY	27	DTZ0000626	SWITCH, PUSH BUTTON.....	13
CLH0204487	OUTPUT KEY	27	DTZ0009462	EXHAUST MANIFOLD FLANGE KIT	19
CLH0204536	WOODRUFF KEY	27	DTZ0270606	DRIVE PARTS F/HYDRAULIC PUMP...	113
CLH0204746	NUT	27	DTZ0271160	OIL TEMPERATURE SWITCH	7
CLH0205358	NAME PLATE	27	DTZ0272326	BROKEN BELT STOP SWITCH.....	7
CLH0205368	ADJUST LINK	27	DTZ0272401	BRUSH RING	24
CLH0205717	RELEASE SLEEVE -V465 CLUTCH.....	27	DTZ1118688	SEALING RING	19
CLH0205823	ADJUSTING RING	25	DTZ1119246	BANJO BOLT	19
CLH0205851	CLUTCH PLATE & RELEASE ASB-DTZ.	25	DTZ1137391	BRASS BOLT F/DTZ EXHAUST DONUT	19
CLH0205997	WEAR RING	25	DTZ1137394	BRASS NUT F/DTZ EXHAUST DONUT .	19
CLH0206092	BOLT.....	27	DTZ1173470	TEMPERATURE SENSOR	7
CLH0206563	RELEASE SLEEVE	25	DTZ1176023	OIL PRESSURE SENDER	7
CLH0207227	LOCKWASHER	27	DTZ2235178	ALTERNATOR BELT 912 & 914 4 CYL	7
CLH0207231	LOCKING WASHER.....	27	DTZ3348038	EXHAUST DONUT F/DEUTS ENGINE ...	19
CLH0207445	PILOT BEARING	27	ELC0000334	TEMP SENDING UNIT-1592/HYD TANK	31
CLH0207954	GREASE FITTING.....	27	EXH0011007	#6 EXHAUST CAP 2- 1/2" - 2 11/16"	19
CLH0216506	COMPRESSION SPRING F/DTZ CLTCH	25	EXH0013806	EXHAUST TUBE-DEUTZ & MURPHY	19
CLH0230819	CLUTCH BODY	25	F000000072	KEY,SHEAR HUB	45
CLH0230909	DRIVE SHAFT	27	F000000073	SQUARE HEAD SET SCREW 1/2-13 X 4" 5	
CLH0260843	GREASE FITTING.....	27	F000000073	SQUARE HEAD SET SCREW 1/2 X 4" ..	55
CLH0269854	GREASE FITTING.....	27	F000000096	EYEBOLT.....	81
CLH0307569	MAIN BEARINGS	27	F000000099	1-3/8" SET COLLAR	89
CLH0308369	SHIFTING LEVER	27	F000000101	PICKUP FINGER GUIDE PIPE-SHORT..	77
CLH0308371	YOKE SUB ASSEMBLY.....	27	F000000159	TWINE FINGER LINK BLOCK	91
CLH0334051	RELEASE BEARING	25	F000000169	SPRING	7
CLP0000123	VINYL CLAMP 3/4"OD X 11/32"HOLE ..	129	F000000188	SPRING, HAY DOG.....	63

Part No.	Description	Page No.
F00000220	HAY DOG PIN.....	63
F00000227	PLUNGER KNIFE BOLT-FLAT HD SOC .	55
F00000246	KNOTTER BRAKE DISC WASHER	107
F00000268	INDICATOR RETURN SPRING.....	121
F00000278	RETURN SPRING	105
F00000281	SPRING F/FEEDARM LATCH.....	75
F00000299	BAR,UPPER RH F/14 ,15 ,16 CHM	59
F00000440	FERRULE	81,101,105
F00000525	HOLDER F/TWINE GUIDE BUSHING ..	119
F00000658	14 GA. KNOTTER WORM WASHER.....	87
F00000659	18 GA KNOTTER WORM WASHER	87
F00000755	SPROCKET-KNOTTER CLUTCH	101
F00000759	OFFSET LIMK RC60	101
F00000760	CONNECTING LINK - RC60	101
F00000770	FREEMAN RED PAINT-SPRAY CAN...	131
F00000774	PLUNGER FRONT WIPER	55
F00000775	PLUNGER ROLLER BEARING.....	55
F00000778	CONNECTOR FOR TUBE.....	51
F00000802	WASHER	107
F00000822	CAM FLOWER	67
F00000837	HAY DOG BOTTOM	63
F00000856	TWINE GUIDE BUSHING	117,119
F00000857	SNAP RING F/TWN GUIDE BUSH .	117,119
F00000985	BALE CHUTE SPRING	121
F00000986	PLUNGER REAR WIPER-PT BALER	55
F00000988	SHOCK ABSORBER,	121
F00000990	CABLE CLAMP 1/8"	121
F00000993	BUSHING, 3/8" X 1-1/2" PIPE	121
F00000994	SHIELD F/CABLE SHEAVE ROLLER ...	121
F00000995	PLATE F/CABLE SHEAVE ROLLER.....	121
F00000997	WEIGHT INDICATOR BRACKET	121
F00000998	BALE WT INDICATOR HAND	121
F00001019	HAIRPIN COTTER .148 F/ 5/8" PIN.....	121
F00001132	SHEAR BUSHING-FLYWHEEL HUB	45
F00001134	CRANK PIN-GEAR END-22" CHAMBER	51
F00001189	LEADING TINE - 11" LONG.....	69
F00001193	FEED FORK TINE BUSHING & STOP...	69
F00001195	FEED FORK CLIP	69
F00001441	BRASS ELB W/SLEEVE 1/4 X 1/8 90° ...	55
F00001513	KNOTTER TRIP MOUNT	105
F00001514	RESET LEVER	105
F00001515	CLUTCH STOP LEVER.....	105
F00001517	TRIP SPRING	5,31,91,105
F00001531	METER WHEEL - STAR WHEEL ONLY	105
F00001537	BAR,SLIDE	55
F00001549	RH NEEDLE YOKE DRIVE ROD END...	117
F00001550	LH NEEDLE YOKE DRIVE END	117
F00001556	TRIP ARM BUSHING	67
F00001557	O-RING.....	67
F00001559	TRIP ARM PIN 5/16" X 2-1/4"	67
F00001561	TRIP ARM SPRING ROD CLEVIS PIN ...	67
F00001563	CATCH FOR HOOD	75
F00001568	BUSHING FOR F1515 RESET LEVER.	105
F00001572	CAM FOLLOWER.....	91,99,107
F00001603	SHORT LEADING TINE F/15" & 16"	69
F00001608	METER WHEEL SHIELD.....	105
F00001609	KNIFE F/16 CHM.....	59
F00001611	380TWINE NEEDLE.....	117
F00001617	METER WHEEL SHAFT BRACKET.....	105

Part No.	Description	Page No.
F000001618	METER WHEEL SHAFT W/CLAMPS....	105
F000001619	BEARING ONLY	105
F000001632	METER TRIP BAR STOP W/BOLT.....	105
F000001638	BALE WT INDIC SHOCK ABS BKT.....	121
F000001639	BALE WT INDICATOR CABLE BKT.....	121
F000001661	FITTING-HYD SHUT OFF-1/8" NPT51,65,67	
F000001677	FREEMAN WHITE PAINT, SPARY	131
F000001680	28 GA KNOTTER WORM WASHER	87
F000001687	KNURLED FRICTION DISC	105
F000001689	FUEL TANK CAP	19
F000001790	COMPRESSION SPRING F/PTO CLTCH83	
F000001791	PIN,CLUTCH	83
F000001793	FRICTION DISC F/PTO CLUTCH	83
F000001797	CLUTCH PLATE COMP SPRING.....	83
F000001889	FLANGETTE F/F1618 BEARING	105
F000001890	LOCKING COLLAR F/F1619.....	105
F000001891	TORSION LATCH SPRING, F/370.....	1
F000001895	HAY SAVOR ARM W/STOP.....	71
F000001896	HAY SAVOR STOP BOLT.....	71
F000001897	PIVOT PIN F/HAY SAVER BRACKET	71
F000001900	HAY SAVER ROTARY CLAMP-COMPL..	71
F000001901	U-BOLT F/HAY SAVER WHEEL.....	71
F000001902	SADDLE F/HAY SAVER ROTARY CLMP	71
F000001906	BACKUP RING F/HAY SAVER DISC	71
F000001907	RUBBER RING F/HAY SAVER.....	71
F000001911	WHEEL DISC ONLY F/HAY SAVER.....	71
F000001913	HAY SAVER DISC W/STL B/UP RING ...	71
F000004050	ROLLER	67
F000004067	NYLON WIRE GUIDE ROLLER	121
F000004068	BUSHING F/F4067 ROLLER.....	121
F000004073	OFFSET LINK - RC 40	77
F000004089	ZERK 3/16" DRIVE STR 5/16" HEX67,89,97	
F000004104	KEY;A; .375 SQ BAR X 1.5	89
F000004133	CLUTCH DISC W/F4134 BEARING.....	101
F000004134	BEARING F/4133	101
F000004135	INNER RACE F/F4133	101
F000004159	MACHINE BUSHING.....	107
F000004160	MACH BUSH; 1 3/8 X 2 1/8 X 14GA 89,97,101,107	
F000004161	MACH BUSH; 1 3/8 X 2 1/8 X 18GA89,97,101,107	
F00000440	FERRULE	1
F000005499	BATTERY HOLD DOWN-GRP 24 SIZE	129
F000006003	BEARING FOR F8905	91
F000006004	FLANGETTE F/F8095	91
F000006108	CATCH; A-1 (INSPECT COVER).....	111,127
F000006263	HEAT EXCHANGER	35
F000006410	SPACER	75,81
F000006498	CYLINDER PIVOT PIN	1
F000006511	HAIRPIN FOR CYLINDER PIN	1
F000006519	HYDRAULIC CYLINDER 2" X 8"	41,113
F000006577	WORKLIGHT BRACKET	31,129
F000006638	MALE ELBOW 3/8 JIC X 1/4 NPT 90* 85,113	
F000006724	HYDRAULIC CYLINDER-P/U LIFT ...85,113	
F000006727	SEAL KIT	113
F000006804	EXHAUST CLAMP 2-1/4" STD DUTY	85
F000007000	BELT, DRIVE; D165.....	45
F000007010	ADJUSTING BOLT - PLATED	5
F000007032	L.H. BULLGEAR MOUNTING SHAFT ...	51
F000007033	BEARING CONE F/SIDE PLATE	51
F000007034	BEARING CUP F/SIDE PLATE	51

Part No.	Description	Page No.	Part No.	Description	Page No.
F000007035	SEAL F/SIDE PLATE	51	F000007624	FLAT CHUTE ATTACH F/COMB	121
F000007036	SEAL RACE-BULL GEAR BEARING	51	F000007626	BULLGEAR GREASE 1-GAL	131
F000007037	SIDE PLATE BRG ADJUSTING NUT	51	F000007636	SPACER PLATE	125
F000007038	LOCKING WASHER	51,83,89,97	F000007651	ZERK 1/4" NPT 67-1/2° 9/16" HEX.....	51
F000007063	BEARING, SHAFT	83	F000007654	BRACE F/F7579 BRACKET	73
F000007145	F/HOUSE BOTTOM WEAR PLT 16"	75	F000007655	BALE TURNER.....	121
F000007151	PLATE,LH	77	F000007657	BALE SKID BRACKET	121
F000007154	EXT SPRING F/PU BALANCE	81	F000007661	INDICAT CABL 1/8" AIRCRAFT-65"	121
F000007156	PLATE,SPRING	81	F000007699	MOTOR PULLY 10" OD (ENG BALER)...	45
F000007159	CENTER HAY HOLD DOWN.....	75	F000007705	RH WIRE BOX BKT BRACE	119,125
F000007160	BAR, HAY HOLD DOWN	75	F000007735	RUBBER GROMMET 3/8X5/8X1/4	55
F000007194	BRACKET	77	F000007743	BATTERY CABLE-INSULATED-12V	129
F000007227	BUSHING	105	F000007744	KNIFE F/14 CHM.....	59
F000007236	SHEAVE COMPLETE.....	121	F000007756	PL,RH CHANNEL	125
F000007239	ROLL PIN 3/8" X 1-1/2"	51	F000007762	PLG RAIL,LH BTM F/14 ,15 ,16 CHM....	59
F000007275	ROLL PIN 1/2" X 2"	75	F000007763	BAR.SIDE F/14 ,15 ,16 CHM.....	59
F000007276	1" FERRULE.....	75	F000007766	HARDSLIDE MNT RAIL-LH-TOP	55
F000007337	DRIVE BELT-D162 -HYD PTO	29,45	F000007767	PLG RAIL,RH BTM F/14 ,15 ,16 CHM	59
F000007394	PICKUP STOP.....	75	F000007799	RH ENGINE MOUNT.....	5
F000007397	SPROCKET BORE F/CHN TIGHTN....	101	F000007812	R. H. SIDE LINER F/15 & 16 CHM.....	59
F000007400	NYLAFLOW TUBING-32" PC 1/8"	109	F000007813	BAR,RH BTM F/14 ,15 ,16 CHM	59
F000007418	STD BLK BUSHING 1/4" X 1/8"	51	F000007816	PL,RH F/14 ,15 ,16 CHM.....	59
F000007438	BULL GEAR-88 TOOTH.....	51	F000007819	BAR,BTM F/14 ,15 ,16 CHM	59
F000007439	ANGLE F/14 ,15 ,16 CHM	59	F000007825	PL,LH F/15 & 16 CHM.....	59
F000007448	SADDLE LEVER SPRING EYEBOLT....	107	F000007845	BRONZE 7/8" X 1" X 3/4"	117
F000007449	INSIDE BRAKE PLATE W/LINING	107	F000007859	TWINE KNIFE SCREW	87
F000007450	OUTSIDE BRAKE PLATE W/LINING	107	F000007860	KNIFE ARM WASHER 25 X 20 X .5M....	87
F000007451	BRAKE PLATE STUD.....	107	F000007868	TWINE HOLDER	87
F000007453	BRAKE PLATE SPRING.....	107	F000007870	TWINE DISC CLEANER.....	87
F000007454	BRAKE LINING W/RIVETS (PAIR)	107	F000007876	KNT WORM & SHAFT (COMPL ONLY) ..	87
F000007461	NEEDLE YOKE DRIVE ARM	89,97,107	F000007889	TWINE TENSION BASE ASSEMBLY	119
F000007488	KEY;TAPERED	45	F000007890	TWINE TENSIONS TOP.....	119
F000007519	1-3/8" KNOTTER CLUTCH W/PAWL....	101	F000007891	TWINE TENSION ASSEMBLY	119
F000007528	BRAKE DISC W/HARD NOTCH.....	107	F000007892	SPACER WASHER F/KNIFE ARM PIN ...	87
F000007529	FEEDARM TOURQE SHAFT	67	F000007903	380 -NEEDLE YOKE	117
F000007532	BOTTOM PLATE F/F7529 SHAFT	67	F000007904	KEY;A; .375 SQ BAR X 1.875	89
F000007533	ROLLER PLATE F/F7529 SHAFT	67	F000007911	HAY DOG TOP 380 ONLY	63
F000007539	PICKUP LIFT LEVER ARM.....	5,31	F000007914	PLUNGER PIN	51
F000007540	P/U LIFT LEVER ADJ PIN	5,31	F000007917	INTERNAL SNAP RING	51
F000007541	COMPRESSION SPRING	5,31,119	F000007938	TWINE BOX BASE TUBE	119
F000007545	GREASE TUBE-1/4" X 7"	51	F000007947	KNOTTER HOOK CAM ADJ SPRING.....	87
F000007547	DOG STOP,PLUNGER 16".....	117	F000007948	KNOT HOOK CAM ADJ SCREW	87
F000007550	GROMMET F/BULL GEAR SHIELD.....	127	F000007949	KNTR HOOK CAM ADJ SCREW-NUT	87
F000007552	NEEDLE TO YOKE CARR BOLT W/NUT	117	F000007958	TWINE FINGER DRIVE SHAFT 3 TIE	91
F000007554	NEEDLE YOKE DRIVE ROD 380	117	F000007959	TWINE FINGER STOP BRACKET	91
F000007555	LH WIRE & TWINE BOX MOUNT BKT ..	119	F000007966	FEED FORK COMPL-16" CHM -3 TIE	69
F000007556	BOTTOM SUPPORT PLATE F/7555.....	119	F000007967	TINE TRAILING-INSIDE 16".....	69
F000007559	SADDLE LEVER SPRING.....	107	F000007968	TRAILING CENTER TINE-STD CHM.....	69
F000007560	SADDLE LEVER-UPPER HALF.....	107	F000007969	TRAILING OUTSIDE TINE-STD CHBR ..	69
F000007566	CUSHION SPRING F/LIFT CABLE	5,31	F000007970	INSIDE STRAP-F/FEED FORK TINE.....	69
F000007579	BRACKET-NDL YOKE DRIVE ARM SHD	73	F000007971	OUTSIDE STRAP F/FEED FORK TINE ..	69
F000007585	SLEEVE F/SADDLE LEVER ANCHOR .	107	F000007976	SNAP RING F/KNIFE ARM SHAFT.....	87
F000007586	BUSHING F/SADDLE LEVER ASY	107	F000007987	SHIELD FOR KNOTTER CLUTCH	101
F000007587	SADDLE LEVER ANCHOR SEAL.....	107	F000007988	SNAP RING F/KNOTTER SHAFT	89
F000007604	FEED ARM LATCH.....	67	F000007991	SPINDLE	123
F000007605	LATCH HINGE PIN.....	67	F000007993	BEARING CUP; INNER.....	123
F000007606	TRIP ARM W/BUSHING	67	F000007994	BEARING CONE; INNER	123
F000007607	INNER RACE F/F7604 LATCH.....	67,81	F000007995	RETAINER, GREASE.....	123
F000007610	QUAD-RING F/F8262 SLV	67	F000007996	OUTER BEARING CUP	123



Part No.	Description	Page No.
F00007997	BEARING CONE; OUTER.....	123
F00007998	WASHER F/WHEEL SPINDLE.....	123
F00007999	NUT F/WHEEL SPINDLE	123
F00008000	HUB CAP - 8-HOLE HUB.....	123
F00008001	LUG BOLT; 8-HOLE HUB.....	123
F00008002	HUB ASSY, WHEEL.....	123
F00008003	HUB/SPINDLE ASSY;*C; 8-HOLE..	123,125
F00008011	BEARING CUP	77
F00008022	METER WHEEL SHAFT ONLY - 3TIE...	105
F00008023	GUIDE WASHER.....	105
F00008027	#6 LOCKWASHER	97
F00008028	8-PLY FLOT TUBELESS	123
F00008049	TWINE KNIFE.....	87
F00008050	KNIFE ARM COMPLETE.....	87
F00008051	KNOTTER HOOK CAM.....	87
F00008052	TWINE HOLDER SPRING	87
F00008054	KEY; .375 SQ BAR X .75.....	89
F00008056	PAD WELDMENT,ADJ.....	55
F00008057	PAD WELDMENT,ADJ.....	55
F00008058	PAD WELDMENT,ADJ.....	55
F00008062	RIGHT REAR LIGHT BRACKET	129
F00008068	SPACER F/BILL HOOK PIN - .020	87
F00008069	SPACER F/BILL HOOK PIN .035	87
F00008077	INNER RACE-CONN ROD SWIVEL END51	
F00008078	CONN ROD BUSHING-STEEL	51
F00008080	ESNA NUT-1-1/4" NF PLATED.....	51
F00008083	CHAIN TIGHTENER BRACKET.....	101
F00008084	CHAIN TIGHTNER ADJUST BOLT	101
F00008086	CHAIN IDLER BRACKET	101
F00008090	BRACKET WELDMENT	83
F00008091	BEARING MNT PLATE-PICKUP DRIVE .	83
F00008095	TWINE FINGER DR SHAFT BRG COMP 91	
F00008100	BEARING F/CONN ROD END-COMPL ..	51
F00008104	ROD,GUIDE	63
F00008105	GUIDE PIPE	63
F00008112	KNOTTER DRIVE CHAIN HOLD	101
F00008126	FEED ARM PIVOT SHAFT	67
F00008127	TORQUE SHAFT BRG W/F8141 BSHGS67	
F00008128	FEED ARM HOUSING.....	67
F00008129	PLUG CAP.....	67
F00008130	RETAINING RING	67
F00008131	TAKEUP BEARING NUT	67
F00008132	LOCKWASHER W-12.....	67
F00008133	BEARING CUP	67
F00008134	BEARING CONE	67
F00008135	OIL SEAL.....	67
F00008136	DUST CAP.....	67
F00008139	PIVOT SHAFT SLEEVE	67
F00008144	TWINE FINGER BUSHING NUT.....	91
F00008146	TWINE FINGER WASHER.....	91
F00008147	TWINE FINGER DRIVE ROD BUSHING	91
F00008148	REAR SECT BULLGEAR SHIELD.....	127
F00008152	FRONT KNOTTER CHAIN SHIELD.....	101
F00008153	CHAIN SHIELD CENTER BRACKET ...	101
F00008154	CHAIN SHIELD REAR BRACKET.....	101
F00008162	PLATE,SHIELD.....	81
F00008163	PLATE,SHIELD.....	81
F00008182	EXTENSION	125
F00008184	WHEEL F/FLOT TIRE 11L15 8-HOLE ...	123

Part No.	Description	Page No.
F00008187	WASHER; 14GA X 2.63 ID X 3.5	67
F00008189	SHUT-OFF VALVE	19
F00008196	LUBER TANK & BRACKET	109
F00008197	TANK COVER F/F8196	109
F00008198	COVER TO TANK-AUTO LUBER GSKT	109
F00008199	SITE GAUGE F/AUTO LUBER TANK ...	109
F00008201	SPROCKET, WITH 2 SET SCREWS	109
F00008202	41A40 X 1 3/8" SPROCKET.....	107,109
F00008205	AUTO LUBER CHN SHIELD BRACKET	109
F00008206	AUTO LUBER.....	109
F00008209	BRASS MALE ELBOW 3/8" X 1/4" 90°..	109
F00008210	AUTO LUBER TANK & PUMP ASSY.....	109
F00008229	CONN ROD BULLGEAR END HSG	51
F00008230	BULLGEAR END HOUSING W/BRG	51
F00008231	FEED FORK FRAME ONLY	69
F00008258	FEED ARM CONNECTING ROD	65
F00008259	FEED ARM SHAFT SWIVEL NUT.....	65
F00008262	SPRING ARM SLEEVE	67
F00008263	BRACKET-GREASE TUBE CON ROD ...	51
F00008264	RUBBER BUMPER	75
F00008274	ROLLER F/KNIFE ARM.....	87
F00008275	SNAP RING F/KNIFE ARM ROLLER.....	87
F00008280	1 MM WASHER-WRM SHF & KNF ARM	87
F00008287	STR AUTO LUBER FITTING.....	109
F00008288	90° AUTO LUBER FITTING.....	109
F00008290	CABLE TIE - BLACK 3/16" X 5-7/8"	109
F00008296	TRIP ARM SPRING-BALER.....	67
F00008301	MINI WORM DRIVE CLAMP	19
F00008306	FERRULE F/AUTO LUBER FITTING....	109
F00008312	SLEEVE ONLY	109
F00008315	WASHER 1/2" X 7/8" X .30 SEASTR.....	67
F00008330	TWINE FINGER BOLT 3/8" X 7/8" GR-8 .	91
F00008334	WASHER;A; 20GA X 2.63 ID X 3.5	67
F00008335	TWINE FINGER.....	91
F00008336	SHAFT, DRIVE	81
F00008337	SHAFT, DRIVE	81
F00008368	RH MOUNT F/ 1-3/8" TWN KNOTTER....	89
F00008369	LH MOUNT F/ 1-3/8" TWN KNOTTER ...	89
F00008370	SHAFT	89
F00008377	INNER KNTR DRIV CHN SHD-TWINE .	101
F00008380	SPHERICAL INSERT BRG	77
F00008383	FLANGETTE-NO ZERK	77
F00008384	LOCKING COLLAR F/F8095.....	91
F0001905A	WHEEL AXLE ARM - BUSHING TYPE ...	71
F00007659	BALE CHUTE CHAIN.....	121
F00007871	TWINE HOLDER DISC PINION	87
F0008141MP2	BUSHING F/TORQUE SHF BRG(PAIR)	67
F001189-14	LEADING TINE F/14" CHAMBER	69
F001189-15	LEADING TINE F/15" CHAMBER	69
F001603-14	TINE LEADING-SHORT 14".....	69
F007812-15	R. H. SIDE LINER F/14 CHM	59
F007825-15	PL,LH F/14 CHM	59
F007966-14	FEED FORK COMPL-14" CHM -3 TIE ...	69
F007966-15	FEED FORK COMPL-15" CHM -3 TIE ...	69
F007967-15	INSIDE TRAILING TINE -15" CHM.....	69
F007968-14	CENTER TRAILING TINE -14" CHM.....	69
F007968-15	CENTER TRAILING TINE -15" CHM.....	69
F007969-14	OUTSIDE TRAILING TINE -14"CHM.....	69
F007969-15	OUTSIDE TRAILING TINE -15"CHM.....	69

Part No.	Description	Page No.	Part No.	Description	Page No.
F007976-14	INSIDE TRAILING TINE -14" CHM.....	69	GER0007128	PINION GEAR F/2-7/16" SHAFT	45
FAF0024108	FEED ARM	67	GER0007873	HARDEND KNOTTER WORM PINION... ..	87
FAF2410800	FEED ARM PIVOT SHAFT ASSEMBLY ..	67	GRD035979D	GUARD ANGLE ASSEMBLY	75
FAN0000001	FAN & MOTOR, BLOWER; KNOTTER ..	111	GRD036018E	L.H. GUARD PIPE	75
FAN0000010	ELECTRA FAN-FLEX-O-LITE 12VOLT ..	35	GRD036019E	CENTER GUARD PIPE	75
FD00000020	DECAL; USE FREEMAN BULLGEAR... ..	53	GRD036020E	GUARD PIPE - OUTSIDE	75
FD00000035	DECAL; DIESEL FUEL ONLY (1 1/2 X 4)	19	GRL037309B	LOWER GRILL SUPPORT	35
FD00000044	DECAL; DIRECTION ARROW	53	GRL037310E	GRILL WELDMENT,OIL COOLER	35
FD00000380	DECAL; 380.....	73	GSK3303009	GASKET	123
FD00000385	DECAL; 385.....	73	GUS0024467	HITCH PLT SUPT GUSSET-16" CHMB	5
FD00000385	DECAL; 385 (4 5/16 X 12)	73	GUS0024468	HITCH PLT SUPT GUSSET-17" CHMB	5
FD00000385	DECAL; 385 (4 5/16 X 12)	73	GUS0024469	HITCH PLT SUPT GUSSET-15" CHMB	5
FD00007112	FREEMAN DECAL, RED.....	101	GUS0024470	HITCH PLT SUPT GUSSET-14" CHMB	5
FD00007114	DECAL, FREEMAN	47,49,73	HAN0017239	HANDLE F/TWINE BOX LID	119
FD00007126	DECAL - NEEDLE ADJUSMENT.....	127	HGR0022222	PICKUP HANGER WELDMENT,LH	81
FD00008193	DECAL-"AVOID EQUIPMENT DAMAGE"127		HNG0000810	HINGE FOR TWINE BOX (PAIR)	119
FD00022124	DECAL,PATENT NUMBERS-HAY EQUIP127		HNG0007094	7-1/2" TOOL BOX/DOOR SHD HINGE .	127
FD00023473	DECAL;B; CAUTION..... (35,47,49,127		HNG0020856	P/U HOOD HNG-71-1/2 STNLS	73
FD00023572	DECAL, CAUTION..... 23,47,101,109		HOS0006915	HOSE ASSEMBLY.....	29
FD00023575	"DANGER!DO NOT RIDE ON BOX..." ..	73	HOS0007722	HOSE ASSEMBLY.....	29
FD00023581	DECAL, CAUTION SHUT OFF 47,49,73,101		HOS0034225	HOSE- BULL GEAR LUBER TANK	35
FD00023583	DECAL;WARNING-KEEP HANDS CLR .	111	HOS036659A	HOSE ASSY	113
FD00025126	PICKUP HAZARD WARNING DECAL73,127		HOS037371A	HOSE ASSEMBLY.....	29
FD00028146	DECAL.....	13	HRN0022923	HARNESS BAT TO KNT FAN BREAKER..	9
FD00029195	DECAL.....	13	HRN037162D	HIGHWAY LIGHTING HARNESS.....	129
FD0037374A	DECAL.....	13	HRN037275D	HARNESS; HIGHWAY LIGHTING.....	9
FH00004907	PLATE ,END;FEEDER HOUSE, 15" & 16"75		HRN037367B	WIRE HARNESS; HYD SOL GROUND .	115
FH00020198	PLATE,BTM; 70" P/U FEEDER HOUSE .	75	HRN037411B	WIRE HARNES; KNT FAN SWITCH9,11,111	
FH00020212	MAIN FEED HOUSE CHM 15" & 16"	75	HSN0027996	AUGER BRG HOUSING 70"P/U.11-93 ...	77
FH00020867	16" FEED HOUSE BACK SHEET	75	HTB0030006	HEX S-TAP BOLT 3/8" X 2" NC	91,109
FH00020905	16" BACK SHEET EXTENSION PLATE ..	75	HTH0006675	HITCH HYDRO PTO	3
FH00020987	16" AUGER TROUGH EXT ASSY	75	HTH0021097	BALL HITCH W/FLAT PLATE- NO BALL... .	1
FH00020988	15" AUGER TROUGH EXT ASSY	75	HTH0030950	HITCH BASE	5
FH00021018	15" BACK SHEET EXTENSION PLATE..	75	HTH0031000	BALL W/NUT-WSHR	1
FH00021633	15" FEED HOUSE BACK SHEET	75	HUB0007157	SHEAR HUB ASSY	45
FIL0009052	IN-LINE FILTER 1/4.....	109	HUB0070655	CAP, GREASE WALKING BEAM	123
FIL0010003	FILTER CAP COMPLETE W/SCREEN .	109	HUB0102415	HUB	123
FIL0023018	ELEMENT, FILTER	31	HUB0287130	HUB PACKAGE F/120"TRACK+1390 ...	123
FIL0120000	HEAD, FILTER.....	31	HYD0001571	MINI-BARB 1/4 HOS X 1/4 NPT 90*	19
FIL0HF6613	FILTER ELEMENT-SYNTHETIC	21,113	HYD0025371	HYDRAULIC 45 DEGREE ELL.....	31
FIL0HH6935	HYDRAULIC FILTER HEAD.....	21,113	HYD0068030	BRASS MALE CONNECTOR 3/8" X 1/4" ..	53
FIL1160243	FUEL FILTER F/DEUTS & CUMMINS.....	7	HYD0069033	MALE BRASS ELBOW 3/8" 90°	53
FILS1510V3	HYDRAULIC TANK FILTER-	113	HYD3069132	HEX NIPPLE 1/4" X 3/8" NPT X 2-1/2" ..	109
FLW0007127	FLYWHEEL F/2-7/16" SHAFT	45	HYD3169005	1/16 SOCKET HD STEEL PIPE PLUG ..	115
FRM037116F	FRAME 3 TIE 14" KITTED OR 15" CHM. .	59	HYD3409020	ELBOW 1/4" X 90° STEEL STREET	109
FRM037192E	FRAME 3 TIE 15" KITTED OR 16" CHM. .	59	HYD3509030	FITTING.....	31
FT00000113	CONNECTING LINK - #41 CHAIN	109	HYD5405045	FITTING; EL.....	113
FT00000114	OFFSET LINK - #41 CHAIN	109	HYD5455640	1/4 FML NPT X 3/8 JIC 90*ELB.....	113
FT00000165	PUMP DRIVE CHAIN -93 PITCH RC41	109	HYD5525030	3/8 JIC X 90* BLKHD UNION ELB	113
FT00000547	LUBER PUMP	53	HYD5605035	3/8 JIC X 3/8 NPT MALE BRANCH TEE	113
FT00000548	GASKET - PUMP FLANGE	53	HYD5924040	BULKHEAD NUT 1/2"	3
FT00000549	BULKHEAD FITTING 3/4"	53	HYD5924060	BULKHEAD NUT 3/4"	3
FT00000553	FIBER WASHER 3/4" X 1" X 1/16"	53	HYD9525250	ELBOW 1/4" X 1/4" X 90°	109
FT00000559	BULLGEAR LUBER TANK GASKET.....	53	IDL0016315	PICKUP CHAIN IDLER F/370	81
GAG0000001	GAUGE, TENSION; 4" (3000PSI) 21,31,113		IMP0026006	PLASTIC SLEEVE 3/8"	109
GAG0001000	TENS CONT GAUGE-2000# LIQ FILL..	131	IMP0026106	NUT & SLEEVE ASSEMBLY 3/8"	109
GAG0001133	HOURMETER.....	13	JCK0178203	JACK,5000LB,SIDEWIND	1
GAG0064051	GAUGE, SIGHT LEVEL.....	31	KIT0000164	AUTO LUBER KIT	109
GER0006068	KNODULAR CAM GEAR.....	89	KIT4731107	AUTO LUBER PUMP	109

Part No.	Description	Page No.
KNF0011157	PLATE,KNIFE	55
KNF0018468	KNIFE F/15 CHM.....	59
KNT0032132	METER TRIP BAR ASS	105
KNT0060060	KNOTTER FRAME ONLY.....	87
KNT006006A	HEAD ASSY	87
KNT006006A	HEAD ASSY-W/F7661,F7869,F8049.....	89
KPR0020740	CLUTCH PAWL PIN KEEPER 1987+	101
LEV0013885	PL,LEVER;B; .25PL X 1.5 X 8.5	1
LEV0015639	PLUNGER DOG RETURN LEV ASSY ...	117
LEV0025133	LOWER SDDLE LEVER ASY W/BUSH	107
LEV0032159	LEVER ADAPTOR,ACCEL THROTTLE ...	7
LEV0035616	TWINE FINGER SHEAR LEVER-385	99
LID0013053	TOOL BOX LID ASSEMBLY -PT	127
LIT0001815	LAMP, BAYONET.....	13
LIT037163B	LH HIGHWAY LIGHT ASSY.....	129
LIT037164B	RH HIGHWAY LIGHT ASSY	129
LIT1250410	BASE, LAMP	13
LIT1251131	LENS, RED.....	13
LIT7189802	WORK LIGHT	129
LNK0000523	CONNECTING LINK - BL523.....	81
LNK0009636	CABLE LINK	31
LNK0016320	PICKUP LIFT LINK	5,81
LNK0035654	THROTTLE ACCELERATOR LINK	7
LOK0005857	PLATE,LOCK.....	55
LTH0011229	BAR,LATCH;B; .625 X 2FB X 9.88	1
LTH0011231	BAR,LINK;B; .25 X 1.25FB X 21.....	1
LUB0006789	BULLGEAR LUBER TANK ONLY	53
LUB0033009	KNOTTER LUBER MANIFOLD COMP .	109
LUB0070328	MANIFOLD ASSY; BULLGR LUBER.....	53
LUB0083313	INJECTOR, REPLACEMENT	109
LUB0083924	COMPRESS NUT/SLEEVEF/LUB83316109	
LUB0323060	PRESSURE FITTING-VALVE 1/8"	35
LUB0323060	PRESSURE FITTING-VALVE 1/8"	53
LUB0833116	LUBER ASSY MANIFOLD 6-HOLE	109
MLD7500317	BLACK QUIKEDGE TRIM MOLDING	111
MNF037316E	MANIFOLD ASSEMBLY	31,113,115
MNT0000001	KIT, SIGN MTG.....	131
MNT0001000	KNOTTER HEAD COMPLETE	97
MNT0011313	ANGLE,MOUNTING	77
MNT0011400	PLATE,MOUNTING	81
MNT0018340	4 CYL FRONT MOUNT BELLY PAN	5
MNT0020484	HAY SAVER MOUNT	71
MNT0022379	MOUNTING WELDMENT,RH.....	81
MNT0023007	BAR,MOUNTING.....	77
MNT0023153	L. H. ENGINE MNT.....	5
MNT0032033	MOUNT, GAS TANK	19
MNT0033273	MNT,INDICATOR,BALE WEIGHT	121
MNT0033556	MOUNT,STRIPPER,PICKUP,LOWER.....	77
MNT0033557	MOUNT,STRIPPER,PICKUP,TOP.....	77
MNT0033703	MOUNT, KNOTTER, LEFT	97
MNT0033704	MOUNT, KNOTTER, RIGHT	97
MNT0035653	THROTTLE ACTUATOR MOUNT	7
MNT0050025	KNOTTER FAN SHROUD MOUNT	111
MNT0204840	HAY SAVER MNT W/PIN 70"	71
MNT036623A	SWITCH MOUNT	97,103
MNT037222A	SPRING MOUNT	105
MNT037346D	KNOTTER TRIP MOUNT	105
MNT2048400	MOUNT & ARM ASSY	71
MTR0074418	HYDRAULIC MOTOR ASSY F/540 PTO.	31

Part No.	Description	Page No.
NMS0007125	TRUSS ROD NUT 3/4" NF	125
NMS0024111	FEED FORK CRANK PIN NUT -3 TIE.....	65
NP00000100	SERIAL NUMBER ID PLATE	127
NYL0000250	TUBE	55
NYL0000250	NYLAFLOW TUBING-PER FOOT 1/4" .	109
PAD0018804	TENS RAIL SUPPORT PAD	111
PAD0025218	PAD;A; 1.5 X 2.....	63
PAD0025219	PAD;A; 1.5 X 1.5	63
PCY0020861	R. H. FENDER ASSEMBLY -P/U 370.....	77
PCY0033352	SPACER	77
PCYSPEC370	PICKUP ASSY,SUPER SWEEP	77,81
PIN0007831	PIN, ROLL.....	55
PIN0008670	CONNECTING ROD PIVOT PIN-GR8	51
PIN0018402	LOCK PIN ASSEMBLY	1
PIN0020739	CLUTCH PAWL PIN 1987+	101
PIN0024065	1991 FEEDARM CRANK PIN -3TIE	65
PIN0035710	PLUNGER STOP DOG PIN.....	117
PIN24065-1	1991 FEEDARM PIN KIT COMPLETE	65
PLF0008206	LIFT ARM BKT RLRC PICKUP LIFT	85
PLF0018168	ANC BKT P/U LIFT 16" CHAMBER.....	85
PLF0021082	ANC BKT P/U LIFT 14" CHAMBER.....	85
PLF0021088	ANC BKT P/U LIFT 15"CHAMBER	85
PLF0026952	CROSS ROD PICKUP.....	5,31
PLF0820700	LEFT ELEC/HYD PICKUP LIFT ARM.....	85
PLF0820701	RIGHT ELEC/HYD PICKUP LIFT ARM ...	85
PLG0007839	MOUNTING WELDMENT,RH REAR.....	55
PLG0007840	ANGLE WELDMENT,RH FNT	55
PLG0020660	MNT LH BTM; ROLLER & SLIDE.....	55
PLG0026592	BAR,LH BTM F/14 ,15 ,16 CHM.....	59
PLG0026593	BAR,RH BTM F/14 ,15 ,16 CHM	59
PLG0031402	PLUNGER WLDMT;*D; 16X22, 3-TIE	55
PLG0031455	PLUNGER WLDMT;*D; 17X22, 3-TIE	55
PLG0031736	PLUNGER WLDMT;*D; 15X22, 3-TIE	55
PLG035987D	PL,LH UPPER RAIL F/14 ,15 ,16 CHM ...	59
PLG360780F	PLUNGER WLDMT;*D; 14X22, 3-TIE	55
PLT0011228	TONGUE LATCH PLATE F/ 370.....	1
PLT0016304	SIDE PLATE-LH-W/BRG CUPS 16" CH..	51
PLT0016307	SIDE PLATE-RH-W/BRG CUPS 16"CH ..	51
PLT0022382	PICKUP LIFT SPRING PLATE -270/370 .	81
PLT0026966	PL,SPACER.....	125
PLT0028360	F/HOUSE BOTTOM WEAR PLT 15"	75
PLT0032546	SIDE PLATE-LH-W/BRG CUPS 15" CH..	51
PLT0032547	SIDE PLATE-RH-W/BRG CUPS 15"CH..	51
PLT0032548	SIDE PLATE-LH-W/BRG CUPS 14" CH..	51
PLT0032549	SIDE PLATE-RH-W/BRG CUPS 14"CH..	51
PLT0035077	BAR	41
PLT0163040	LH SIDE PLATE ASSY 16"+ CHAMBER .	51
PLT0163070	RH SIDE PLATE ASSY 16" + CHAMBER	51
PLT0325460	LH SIDE PLATE ASSY 15" CHAMBER ...	51
PLT0325470	RH SIDE PLATE ASSY 15" CHAMBER...	51
PLT0325480	LH SIDE PLATE ASSY 14" CHAMBER ...	51
PLT0325490	RH SIDE PLATE ASSY 14" CHAMBER ..	51
PMP0077021	HYD PTO PUMP & GEARBOX - 540	29
PMP12S8XG2	HYDRAULIC GEAR PUMP.....	113
PNT0085125	ONE GALLON WHITE BALER PAINT...	131
PNT0085350	ONE GALLON RED BALER PAINT.....	131
PPE0000001	FITTING; ST	35
PPE0000750	STD BLK PIPE NIPPLE 3/4	31
PPE0040250	TEE, PIPE; 1/4.....	53

Part No.	Description	Page No.	Part No.	Description	Page No.
PPE0075900	MALE ELBOW 3/4 90* STD BLK.....	31	SHD0006906	MOUNT F/DRV ARM SHD FRONT SEC127	
PPE0500250	HEX BUSHING 1/2" X 1/4" STD BLK	109	SHD0007002	CRANK ARM SHD TOP SECTION 3TIE127	
PPE1000500	NIPPLE, PIPE.....	31	SHD0007096	FEEDER HOUSE HOOD LATCH.....	75
PPE2505000	BLACK PIPE NIPPLE 1/4 X 5 STD	35,53	SHD0008026	PICKUP DRIV BELT SHD-MAIN SECT. 127	
PPE3752500	PIPE NIPPLE 3/8" X 2-1/2" STD BLK.....	53	SHD0008028	BULLGEAR SHIELD-FRONT SECT.....	127
PPE7500600	NIPPLE, PIPE.....	31	SHD0008040	PICKUP DRIVE BELT SHIELD.....	127
PRP0010000	PROP FOR TWINE BOX LID	119	SHD0008648	BULLGEAR SHIELD COMPLETE.....	127
PUL0006630	PULLEY F/HYD PTO-540 RPM 10"	31	SHD0011063	BELT SHIELD EXTENSION-HYD & ENG 49	
R11873	CHECK VALVE 3/4" NPT FEM BRONZE113		SHD0011309	PLATE,LH	77
R12565833	HOSE ASSY	113	SHD0014244	PLATE,SHIELD.....	81
R12579545	HOSE ASSY	113	SHD0016332	BRACE-CRANK ARM SHIELD.....	127
R13801972	FITTING; EL.....	115	SHD0017231	LH SIDE-SHD OVER P/U REAR SECT ..	73
R13804188	FITTING; CAP	115	SHD0020829	PLATE,EXT.....	77
R14293	FITTING.....	41,113	SHD0020832	PLATE,RH	77
R14337	STRAINER, SUCTION	31	SHD0020836	FEED HOUSE HOOD-COMPL	73
R1574466	FRACTURE BEARING	51	SHD0020837	P/UP SHIELD-FR-SECT-COMPL.....	73
R4510197	RELAY	13,39	SHD0020838	SHIELD OVER P/UP-REAR SECT	73
R616841	MACH BUSH	77,89,97,101	SHD0037321	P/U SHIELD/FRT SEC END.....	73
RD00708600	TRUSS ROD -41"	125	SHD0086480	BULL GEAR SHIELD-W/LUB-ENG	127
RES0045015	RESISTOR	13	SHD0086481	BULL GEAR SHIELD-W/LUB-HYDRO..	127
RIV0000106	RIVET F/KNOTTER BRAKE LINING.....	107	SHD037322B	FRONT P/U SHIELD,UPPER SECT.....	73
RIV0000122	SS RIVET -3/16" X .126-250 GRIP.....	127	SHF0007093	BULLGEAR MOUNTING SHAFT-RH77+	51
RIV0000606	RIVET	35,73	SHF0007132	SHAFT, PINION.....	45
RNG0002135	O-RING 1-15/16" X 2-1/2" N70 DURO	65	SHF0018480	SHAFT WELDMENT,PICKUP REEL	77
RNG5000256	SNAP RING	65	SHF0021219	DRIVESHAFT	83
ROD0000001	ROD END-PLUNGER STOP DOG	117	SHF0033356	SHAFT,PIVOT.....	77
ROD0013590	TRIP ARM SPRING ROD	67	SHF0033685	TWINE FINGER DRIVE SHAFT.....	99
ROD0016321	P/U LIFT SPRING ADJ ROD ASSY.....	5,31	SHF0035600	SHAFT,KNOTTER	97
ROD0020044	TWINE FINGER DRIVE ROD.....	91	SHM0000103	STEEL SHIM 1-3/8" X 1-7/8" X .015.....	89
ROD0034342	PLUNGER CON-ROD -AFT/2/99 -1PC... 51		SHM0000105	STEEL SHIM 1-3/8" X 1-7/8" X .015. 89,101	
ROD0035655	THROTTLE ACCELERATOR ROD	7	SHM0000250	KNOTTER TRIP MOUNT SHIM 1/4"	105
ROD035984B	PLUNGER DOG RETURN ROD	117	SHM0001875	KNOTTER TRIP MOUNT SHIM 3/16" ..	105
ROD037256B	TWINE FINGER DRIVE ROD.....	99	SHM0034534	SHIM,PLUNGER,OUTER .012".....	55
RS00001514	ROLL PIN(SPRING)F/RS6015 B- HOOK 87		SHM0034535	SHIM,PLUNGER,OUTER 16GA.....	55
RS00003786	TRIGGER FOR RS0006015 BILL HOOK 87		SHM0115770	BAR,SHIM .25"	55
RS00006002	BILL HOOK BUSHING F/KNT60060	87	SHM0115771	PLATE,SHIM 16GA.....	55
RS00006003	TWINE DISC BUSHING F/KNT60060.....	87	SHM0115772	PLATE,SHIM 20 GA.....	55
RS00006015	BILL HOOK STANDARD	87	SHM0163090	SHIM FOR 3/4 BOLT 16 GA.....	51
RS00006035	BILL HOOK OPTION LARGER SIZE	87	SHM0163091	SHIM FOR 3/4 BOLT 20 GA.....	51
RS00006085	TWINE DISC RETAINER.....	87	SHM0163092	SHIM FOR 3/4 BOLT 10 GA.....	51
RS00010500	5MM WASHER	87	SHM0163093	SHIM FOR 3/4 BOLT 28 GA.....	51
RS00602201	KNIFE ARM BUSHING F/KNT60060.....	87	SHM037348B	1/4" PIVOT PLATE SHIM.....	105
RS03451926	PIN F/BILL HOOK CAM & SPRING.....	87	SHM037349B	3/16"PIVOT PLATE SHIM	105
RS206377212	KNIFE ARM PIN COMPLETE.....	87	SHM037350B	1/8" PIVOT PLATE SHIM	105
RS20637722	KNIFE ARM PIN (ONLY)	87	SHM037779B	SHIM;B; 20GA X 1.5 X 10.5.....	97
RS20661120	LOCKWASHER F/KNIFE ARM PIN	87	SHM0800400	20 GA. PINION SHIM F/2-7/16	45
RS331112051	NUT F/KNIFE ARM PIN.....	87	SHM0800401	16 GA. PINION SHIM F/2-7/16	45
SAL0000007	DRIVE CHAIN ASSEMBLY,P/U	81,83	SHM0800402	10 GA. PINION SHIM F/2-7/16	45
SDR0RA9312	FUEL LEVER SENDER 20 GAL	19	SHM2406700	BRG SHIM(.007)F/FD ARM CRK PIN	65
SDR0RA9320	FUEL LEVEL SENDER 30 GAL.....	19	SHM2406701	BRG SHIM(.020) F/FD ARM CRK PIN	65
SEL0008408	SEAL KIT	113	SHM2406702	BRG SHIM(.05) ARM CRK PIN	65
SEL000KT25	SEAL KIT	113	SHR036954D	. PLATE, LH SHROUD	35
SEL0047311	SEAL KIT F/PMP4731107	109	SHR037304E	BULLGEAR SHD/OIL COOLER SHR ASY35	
SEL006506U	SEAL.....	123	SHR037306D	TOP, OIL COOLER SHROUD	35
SEL0460974	SEAL KIT FOR FT 547 PUMP.....	53	SHR037307B	BACK,OIL COOLER SHROUD.....	35
SEL2000003	SEAL KIT F/PMP12S8XG2 PMP.....	113	SHR037308B	BAFFLE,OIL COOLER SHROUD.....	35
SGN0024006	"SLOW MOVING VEHICLE"-AF/2/00	131	SOK0000007	BOOT.....	1,129
SHD0006253	R. H. FENDER FLARE-60"+70" P/U	77	SOK0012310	SOCKET; (7 POLE)	1
SHD0006905	CRANK ARM SHIELD FRONT SEC.....	127	SOK0012310	ELECTRICAL SOCKET, 7 POLE.....	129

SPC0017669	SPACER	77	TNS036527D	TENSION BUSHING	41
SPC0018514	BAR,SPACER F/14 & 15 CHM	59	TNS036528D	TENSION RAIL WELDMENT,LH	41
SPC0018515	SPACER F/14 & 15 CHM	59	TNS036531E	TENSION RAIL & BEAM ASSEMBLY	41
SPC0018516	BAR,SPACER F/14 & 15 CHM	59	TTH0033171	PICKUP TOOTH	77
SPC0018517	PL,FNT SPACER F/14 & 15 CHM	59	VLV0000001	RELIEF VALVE	31
SPC0018519	BAR,SPACER F/14 & 15 CHM	59	VLV0000004	VALVE, SOLENOID ASSY.....	115
SPC0024066	FEED ARM BEARING SPACER -3 TIE ...	65	VLV0000415	STEM, VALVE.....	123
SPC0031139	SPACER	125	VLV0075005	5 LB CHECK VLV BRUNING ONLY	31
SPC0031363	PLATE, SPACER	75	VLV035796B	PROPORTIONAL CONTROLLER/AMP	115
SPC0033118	BULLGEAR BOLT PIN SPACER.....	51,105	VLVCP5082B	POPPET SOLENOID VALVE.NO	115
SPC035753B	BAR F/14 & 15 CHM.....	59	VLVCP55820	PROPORTIONAL RELIEF VALVE ASSY.....	115
SPC036500B	PLATE, SUPORT.....	75	VLVPVDALEN	PILOTED PRESS REDUCING VALVE ...	115
SPG0007095	HOOD LATCH SPRING.....	75	VLVQCDALAN	DIFFERENTIAL UNLOAD PILOT.....	115
SPG0020662	PLUNGER LATCH SPRING	117	VLVRVCALAN	PILOTED RELIEF CARTRIDGE.....	115
SPG0023160	SPRING, HAY DOG 385.....	63	WAS0001309	FLATWASHER -3/4 PLTD	117
SPG0025466	KNT HOOK CAM ADJ SPRNG.....	87	WAS0011459	TOOTH BAR BRG WASHER	77
SPK0002318	IDLER SPROCKET F/ 370 PICKUP.....	77	WAS0015783	MACH BUSH	77
SPK0004030	PINION SHAFT SPROCKET 2-7/16".....	45	WAS037158A	SAFETY CHAIN WASHER.....	1
SPK0021220	SPROCKET ASSEMBLY	83	WAS037715A	KNOTTER WASHER.....	99
SPK0040030	SPROCKET,PICKUP AUGER 370	77	WAS0725002	5/16" SEALING WASHER	53,109
SPK0040045	SPK-PICKUP AUGER -"REV TAPER".....	77	WAS0750017	FIBER WASHER 1/4" ID X .032	73
SPN0028764	LH SPINDLE ASSY-120"-AFT/7-94	123	WAS3751500	TWINE FINGER WASHER .060.....	99
SPN0030824	SPINDLE WLDMT;*C; WALKING BEAM.....	123	WEA037324A	WEATHER STRIP .31 X .38 X 17.75.....	35
SPN0287640	120" TRACKNG SPINDLE& HUB ASSY.....	123	WEA037325A	WEATHER STRIP .31 X .38 X 19.75.....	35
SPN1024150	HUB/SPINDLE ASSY WALKING BEAM.....	123	WHL0000002	FLOAT TIRE WHL ASSY -8 -HOLE	123
STO0022419	BAR,STOP.....	97	WHL0106897	WHEEL F/IMP&HWY TIRE 8-HOLE.....	123
STR0033500	PLATE,STRIP	77	WHL0108191	WHEEL F/120"TRACK.....	123
STR0033501	PLATE,STRIPPER.....	77	WLG0000001	KNOTTER TWINE GUIDE PLATE	99
STR0033502	PLATE,STRIPPER.....	77	WLG0000002	GUIDE SPRING.....	99
STR037297D	RH FUEL TANK STRAP SHORT 20 GAL.....	19	WLG0000003	STOP SPRING	99
STR037298D	LH FUEL TANK STRAP LONG 20 GAL.....	19	WLG0000005	ANGLE SPRING	99
STR037319D	PL,RH STRAP 30 GAL	19	WLG0000006	KNOTTER TWINE PULLER SPRING	41
STR037320D	LH STRAP 30 GAL	19	WLG0001001	MAIN CAM GEAR (WITH BRG FLANGE).....	93
SUP0017229	SHD OVER P/U REAR SECT-ANGLE	73	WLG0001002	MAIN CAM GEAR.....	93
SUP0017230	SHD OVER P/U REAR SECT-GUSSET..	73	WLG0001004	BEARING FLANGE	93
SUP0018768	SUPPORT WLDMT	75	WLG0001005	BEARING.....	93
SUP0018768	PICKUP GUARD PIPE SUP	75	WLG0001006	BEARING REAR SNAP RING	93
SUP0024161	SUPPORT KNOTTER FAN	111	WLG0001008	BEARING SHIM 0.2 MM	93
SUP0031138	CHANNEL,SUPT	125	WLG0001009	BEARING SHIM 0.3 MM.....	93
SWI0000003	SWITCH, ROCKER	17	WLG0001010	KNOTTER FRAME, INCLUDES 2-10.....	93
SWI0000004	SWITCH, PUSH BUTTON.....	15,17	WLG0001011	FRAME UPPER BUSHING	93
SWI0000007	SWITCH, ROCKER	15,17	WLG0001012	FRAME BUSHING, TWINE HOLDER	93
SWI0000008	SWITCH, ROCKER	15	WLG0001013	FRAME BUSHING, BILLHOOK	93
SWI0000010	PROXIMITY SWITCH.....	97,103	WLG0001014	FRAME BUSHING, TENSION LEVER ...	93
SWI0001140	SWITCH, IGNITION.....	13	WLG0001015	O-RING SEAL FOR WLG0001014.....	93
TBE0033406	TUBE COPPER	53	WLG0001016	TWINE CLAMP ROLL PIN.....	93
TBX0020849	TWINE BOX BASE TUBE	119	WLG0001017	BILL HOOK TRIGGER CAM ROLL PIN .	93
TER0000099	TERMINAL LUG	13	WLG0001018	BILL HOOK TRIGGER PRES SPG BOLT.....	93
TERSSP561V	PLUG, TERMINAL.....	35	WLG0001019	TRIGGER PRESSURE PLATE	93
TIN0007751	5-1/2" OFFSET TINE 16"CHM.....	69	WLG0001020	TRIGGER PRESSURE SPRING.....	93
TIN7751-15	5-1/2" OFFSET TINE 15"CHM.....	69	WLG0001021	TRIGGER PRESSURE SPRING NUT ...	93
TIR0000002	TIRE & WHEEL ASSY; HIGHWAY TIRE.....	123	WLG0001022	BILL HOOK TRIGGER CAM.....	93
TIR0165161	10 PLY TIRE	123	WLG0001023	TWINE HOLDER THRUST BEARING.....	93
TIR7501608	10 PLY- HIGHWAY TIRE.....	123	WLG0001024	BILL HOOK THRUST WASHER.....	93
TNK004Z980	HYDRAULIC RESERVOIR 5 GAL.....	21	WLG0001025	KNOT FRAME BOLT 10 X 30 MM.....	93
TNK004Z980	HYD RES W/FILLER NECK-5GAL.....	113	WLG0001026	DISC SPRING 12 MM	93
TNS0022284	TENSION RAIL WELDMENT, TOP	41	WLG0001027	KNOTTER FRAME SHIM 0.3 MM	93
TNS0034362	RAIL WELDMENT,BTM TENSION	41	WLG0001034	PINION	93
TNS035803B	HORIZ.TENSION RAIL SQUEEZE PLT	41	WLG0001038	TWINE HOLDER WITH KNIFE	93

WLG0001039	TWINE HOLDER KNIFE.....	93
WLG0001040	TWINE HOLDER KNIFE COVER.....	93
WLG0001041	HEX HEAD BOLT M6 X 6.....	93
WLG0001042	TWINE HOLDER CLAMP.....	93
WLG0001046	LEAF SPG TENSION LEV (COMPLETE)	93
WLG0001047	TENSION LEVER (WITH PIN ONLY).....	93
WLG0001048	TENSION LEVER.....	93
WLG0001049	TENSION LEVER PIN.....	93
WLG0001050	TENSION LEVER ROLLER.....	93
WLG0001051	SNAP RING.....	93
WLG0001052	BALE FORM TWN HLDR CLAMP BOLT.	93
WLG0001053	LOCK NUT FOR WLG0001052.....	93
WLG0001054	WASHER.....	93
WLG0001055	COTTER PIN.....	93
WLG0001056	TWINE HOLDER CLAMP LEAF SPRING	93
WLG0001057	TYING PRESSURE SPRING.....	93
WLG0001058	TYING BOLT ADJUSTMENT BRACKET.	93
WLG0001059	TYING PRESSURE BOLT.....	93
WLG0001062	LOCKWASHER, #5.....	93
WLG0001063	PIN, EXPANDING.....	93,97
WLG0001064	HEX BOLT M5 x 75.....	93,97
WLG0001065	HEX NUT M5 - WELGER KNOTTER	97
WLG0001066	SPRING WASHER A5.....	97
WRN035826B	FEED FORK PIVOT SHF WRENCH	131
YEE-2	LOCK COLLAR 1".....	117
YL-402-C2	CARTRIDGE, CHECK VALVE.....	115
YOK0024055	1991 FEEDARM YOKE(ARM END)3 TIE	65
YOK0024056	1991 FEEDARM YOKE(CRA END)ETIE.	65
YOK0033716	385 NEEDLE YOKE.....	117
YOK036534D	CHAMBER YOKE-REAR BOTTOM.....	41
YOK24056-1	FEEDARM YOKE ASY COMP-CRA END	65
ZZ00000101	HEX ZERK 1/4-28 90° 3/8.....	105
ZZ00000200	MACHINE BUSHING 1-3/4" X 10GA.....	51
ZZ00000201	MACH BUSH; 35-04 (3/4 X 1 1/4 X 18GA)	67
ZZ00000204	GA MACHINE BUSHING 2" X 14.....	51
ZZ00000206	MACH BUSH; (3/4 X 14GA).....	67
ZZ00000208	MACH BUSH.....	117
ZZ00000209	MACH BUSH; 1 X 1 1/2 X 18GA.....	117
ZZ00000210	MACHINE BUSHING 1/2" X 14 GA.....	105
ZZ00000217	MACHINE BUSHING 1"X 2"X 18 GA.....	41
ZZ00000218	MACH BUSH.....	41
ZZ00000219	GA MACHINE BUSHING 1" X 2" X 14..	41
ZZ00000220	MACHINE BUSHING 3/4" X 10 GA.....	105
ZZ00000228	MACH BUSHING 1-7/8"X 1-1/4"10GA....	83
ZZ00000403	KEY 1/8" X 1/8" X 1".....	109
ZZ00000418	KEY.....	77
ZZ00000419	KEY; .375 SQ BAR X 3.5.....	89,97,107
ZZ00000428	KEY.....	77
ZZ00000445	KEY.....	81
ZZ00000446	KEY 1/2" X 1/2" X 3".....	45
ZZ00000456	KEY 5/8" X 5/8" X 2-1/2.....	51
ZZ00000459	KEY 1/2 X 1/2 X 1-3/4.....	51
ZZ00000705	PIN, ROLL; (1/4 DIA X 2).....	7
ZZ0000100	HEX ZERK 1/1.-28 SIR 5/16".....	65
ZZ00002008	SET COLLAR W/SET SCREW 2-7/16" ..	45
ZZ0000207	MACHINE BUSHING 1-1/4" X 14GA.....	65
ZZ0000228	MACHINE BUSHING 1-1/4" X 10 GA.....	65
ZZ0000456	KEY 5/8" X 5/8" X 2-1/2".....	65

CALIFORNIA

**Proposition 65 Warning
Diesel engine exhaust and some
of its constituents are known to
the State of California to cause
cancer, birth defects, and other
reproductive harm.**



To find a dealer in your area,
Call: 503-625-2560,
Fax: 503-625-7269, or

Visit our website: <http://www.alliedsystems.com>

Allied Systems
C O M P A N Y

PB00038X07 12/08
Printed in USA