



# Parts Manual Supplement


**Model 380 Self Propelled Side Feed Baler  
SP Components**

**PB00000220**

A Product of

**Allied Systems**  
COMPANY

Sherwood, Oregon USA

S/N:	380S16-703 through 706
	<b>Important:</b> Be certain to specify the serial number of your Baler when ordering parts.

---

# Alphabetical Index

A/C & Heater Ducts .....	31
A/C, Heater Housing & Filters, Lower .....	25
A/C & Heater Housing, Upper .....	27
A/C System, Evaporator Heater .....	30
A/C System, Water Valve Assembly .....	29
Air Filter System Installation.....	74
Armrest Control Panel Assembly .....	45
Armrest Control Panel, Drive Lever & Cable .....	43
Cab Air Filter & Housing.....	28
Cab Glass & Door .....	13
Cab Handle & Fascia .....	11
Cab Hardware Kit.....	65
Cab Interior Roof & Trim Panels .....	19
Cab Panels & Floor Mat Assembly.....	17
Cab Roof Light Installation .....	62
Cab Supports & Isolators .....	55
Caster Wheel Assembly .....	67
Circuit Breaker Panel Assembly, Engine Compartment .....	57
Dome Light Installation.....	60
Engine Assembly .....	71
Engine Mount Installation, Front.....	72
Engine Mount Installation, Rear .....	73
Exhaust Installation .....	75
Ground Speed Sensor Installation .....	64
Horn Installation .....	61
Hydraulic Cylinder, Steering.....	51
Hydraulic System .....	68
Hydraulic Tank Assembly .....	69

## Alphabetical Index (cont...)

Instrument Panel, Cab Post .....	23
Introduction .....	7
Misc. Parts.....	79
Oil Cooler & A/C Condenser Installation .....	78
Operators Seat Air Suspension.....	37
Operators Seat Air Suspension Wear Parts Kit.....	39
Operators Seat Cushion, Armrest, Mountings .....	41
Operators Seat Pivot & Adjust Assemblies .....	35
Outer Cab Roof.....	10
Overhead Console Panel Assembly.....	21
Parts Index .....	80
Radiator Installation .....	76
Radiator Tank & Hose Installation .....	77
Radio Installation.....	59
Rear View Mirror Assembly .....	14
Relay, Starter.....	58
Safety .....	6
Seat Belt, Instructional Seat.....	34
Seat Shrouds & Instructional Seat .....	33
Serial Number Location.....	9
Sound Dampening Parts .....	15
Steering Assembly .....	53
Steering Column (Lower) .....	49
Steering Column (Upper) .....	47
Steering Installation.....	50
Torque Chart .....	8
Windshield Wiper Installation .....	63



### **WARNING**

#### **California Proposition 65 Warning**

**Diesel engine exhaust and some of its constituents are known to the State of California to cause cancer, birth defects, and other reproductive harm.**

**Battery posts, terminals and related accessories contain lead and lead compounds, chemicals known to the State of California to cause cancer, birth defects, and other reproductive harm. Wash hands after handling.**

**Other chemicals in this vehicle are also known to the State of California to cause cancer, birth defects, and other reproductive harm.**

---

# Table of Contents

Safety .....	6
Introduction .....	7
Torque Chart .....	8
Serial Number Location.....	9
Outer Cab Roof .....	10
Cab Handle & Fascia .....	11
Cab Glass & Door .....	13
Rear View Mirror Assembly .....	14
Sound Dampening Parts .....	15
Cab Panels & Floor Mat Assembly.....	17
Cab Interior Roof & Trim Panels.....	19
Overhead Console Panel Assembly.....	21
Instrument Panel, Cab Post .....	23
A/C, Heater Housing & Filters, Lower .....	25
A/C & Heater Housing, Upper .....	27
Cab Air Filter & Housing.....	28
A/C System, Water Valve Assembly.....	29
A/C System, Evaporator Heater.....	30
A/C & Heater Ducts.....	31
Seat Shrouds & Instructional Seat .....	33
Seat Belt, Instructional Seat.....	34
Operators Seat Pivot & Adjust Assemblies .....	35
Operators Seat Air Suspension.....	37
Operators Seat Air Suspension Wear Parts Kit.....	39
Operators Seat Cushion, Armrest, Mountings .....	41
Armrest Control Panel, Drive Lever & Cable .....	43
Armrest Control Panel Assembly .....	45

## Table of Contents (cont...)

Steering Column (Upper) .....	47
Steering Column (Lower) .....	49
Steering Installation.....	50
Hydraulic Cylinder, Steering.....	51
Steering Assembly .....	53
Cab Supports & Isolators .....	55
Circuit Breaker Panel Assembly, Engine Compartment .....	57
Relay, Starter.....	58
Radio Installation.....	59
Dome Light Installation.....	60
Horn Installation .....	61
Cab Roof Light Installation .....	62
Windshield Wiper Installation .....	63
Ground Speed Sensor Installation .....	64
Cab Hardware Kit.....	65
Caster Wheel Assembly .....	67
Hydraulic System .....	68
Hydraulic Tank Assembly .....	69
Engine Assembly .....	71
Engine Mount Installation, Front.....	72
Engine Mount Installation, Rear .....	73
Air Filter System Installation.....	74
Exhaust Installation .....	75
Radiator Installation .....	76
Radiator Tank & Hose Installation .....	77
Oil Cooler & A/C Condenser Installation .....	78
Misc. Parts.....	79
Parts Index .....	80

---

# Safety

Allied Systems Co. is concerned with safety. Freeman Equipment is furnished with safety features. Even with these safety features, personal injury can still occur if the operator is careless when operating or maintaining the machine. There are "CAUTION," "DANGER," and "BE CAREFUL" decals on the machine. Read and pay attention to the decals. Following is a list of precautions that should be taken to help prevent personal injury:

- Keep all shields in place.
- Shut off engine before adjusting, lubricating, cleaning or servicing the baler.
- Wait for all movement to stop before servicing baler.
- Keep hands, feet, and clothing away from power driven parts.
- Keep all others off the baler.
- Use appropriate signs or warning lights when operating on highways.
- Make certain everyone is clear of the baler before engaging the baler drive switch.
- Do not ride on any part of the baler.
- Keep hands and feet clear of drive chains.
- Periodically check all nuts and bolts for tightness.
- Always use lights for night work.
- As a safety precaution it is recommended that an "abc" fire extinguisher be carried on the baler at all times. It is also recommended to carry a four gallon water container with pump, or as required by local and state law.
- Avoid loose clothing which can easily be caught in moving parts.
- Remember 'safety' is only a word until it is put into practice.



## WARNING

**Some illustrations in this operator manual show the baler without shields to allow for a better view of the area being addressed. The baler should never be operated with any of the safety shields removed.**

NOTE: Illustrations are for "ordering" information only, and are not intended for use as an assembly guide.

# Introduction

## HOW TO USE THE MANUAL

This manual contains illustrations and parts lists of components and assemblies which make up the machine. Each page consists of the name of the assembly or component, a reference number, part number, quantities of the part used and the part name.

Assembly or component names help identify the illustration and parts list for each figure. This name also helps locate the general area of the machine where the assembly or component can be located.

Reference numbers shown in a column refers to the numbered parts in the illustration. This ties the part in the illustration to the part number and description in the parts list. Part numbers are used to identify individual parts or part assemblies

NSS indicates that part is Not Sold Separately.

- - - - - in Part No. column indicates that the part number was not available at the time of publication.

Part descriptions provide the name of the part, plus additional information such as dimensional specification and what parts are grouped together to form part assemblies, which helps you identify the parts.

Quantities listed for each illustration are only for that assembly or component and not the total used per machine.

Indent dots are used to indicate assemblies and sub-parts of assemblies. No dot indicates the major assembly. Part descriptions which are indented with dots are sub-parts of the major assembly shown above.

Parts pages will be revised as necessary to show the latest parts information. Revision information will be on the bottom of the page

This parts manual is not intended to be a complete guide for machine service or repairs. Contact your dealer for any of your service or technical requirements.

## UPDATING AND REORDERING MANUALS

The parts lists, illustrations and specifications in this manual are based on the latest information available at the time of publication. Your machine may have product improvement and options not yet contained in this manual.

A copy of this manual is supplied with each machine. Additional copies are available through your dealer and via our web site: [www.allieldsystems.com](http://www.allieldsystems.com). When ordering additional manuals, use the reorder number listed on the front cover and the quantity needed.

# Torque Chart

The following torque values are to be used on all fasteners unless otherwise specified.

Lubricated refers to fasteners in the "As Received" condition, which is normally a light preservative oil coating on unplated fasteners and no oil coating on plated fasteners. No special steps are taken to add further lubrication prior to assembly. Dry refers to parts that have been degreased, both mating parts.

Anti-seize refers to parts that have had an anti-seize lubricant applied just prior to assembly.

GRADE 8 COURSE THREAD		
BOLT size-pitch	LUBRICATED	WITH ANTI-SEIZE
1/4"-20	129 in-lbs	86 in-lbs
5/16"-18	23 ft-lbs	15 ft-lbs
3/8"-16	40 ft-lbs	27 ft-lbs
7/16"-14	63 ft-lbs	42 ft-lbs
1/2"-13	96 ft-lbs	64 ft-lbs
9/16"-12	140 ft-lbs	93 ft-lbs
5/8"-11	195 ft-lbs	130 ft-lbs
3/4"-10	340 ft-lbs	230 ft-lbs
7/8"-9	550 ft-lbs	365 ft-lbs
1"-8	820 ft-lbs	550 ft-lbs
1 1/8"-7	1,160 ft-lbs	775 ft-lbs
1 1/4"-7	1,640 ft-lbs	1,100 ft-lbs
1 3/8"-6	2,150 ft-lbs	1,430 ft-lbs
1 1/2"-6	2,850 ft-lbs	1,900 ft-lbs

GRADE 8 FINE THREAD		
BOLT size-pitch	LUBRICATED	WITH ANTI-SEIZE
1/4"-28	147 in-lbs	98 in-lbs
5/16"-24	25 ft-lbs	17 ft-lbs
3/8"-24	45 ft-lbs	30 ft-lbs
7/16"-20	71 ft-lbs	47 ft-lbs
1/2"-20	108 ft-lbs	72 ft-lbs
9/16"-18	155 ft-lbs	105 ft-lbs
5/8"-18	220 ft-lbs	145 ft-lbs
3/4"-16	380 ft-lbs	255 ft-lbs
7/8"-14	605 ft-lbs	405 ft-lbs
1"-14	920 ft-lbs	615 ft-lbs
1 1/8"-12	1,300 ft-lbs	870 ft-lbs
1 1/4"-12	1,820 ft-lbs	1,210 ft-lbs
1 3/8"-12	2,450 ft-lbs	1,630 ft-lbs
1 1/2"-12	3,210 ft-lbs	2,140 ft-lbs

GRADE 5 COURSE THREAD		
BOLT size-pitch	LUBRICATED	WITH ANTI-SEIZE
1/4"-20	91 in-lbs	61 in-lbs
5/16"-18	16 ft-lbs	11 ft-lbs
3/8"-16	28 ft-lbs	19 ft-lbs
7/16"-14	45 ft-lbs	30 ft-lbs
1/2"-13	68 ft-lbs	46 ft-lbs
9/16"-12	98 ft-lbs	66 ft-lbs
5/8"-11	140 ft-lbs	91 ft-lbs
3/4"-10	240 ft-lbs	160 ft-lbs
7/8"-9	390 ft-lbs	260 ft-lbs
1"-8	580 ft-lbs	390 ft-lbs
1 1/8"-7	715 ft-lbs	480 ft-lbs
1 1/4"-7	1,010 ft-lbs	675 ft-lbs
1 3/8"-6	1,330 ft-lbs	885 ft-lbs
1 1/2"-6	1,760 ft-lbs	1,170 ft-lbs

GRADE 5 FINE THREAD		
BOLT size-pitch	LUBRICATED	WITH ANTI-SEIZE
1/4"-28	105 in-lbs	70 in-lbs
5/16"-24	18 ft-lbs	12 ft-lbs
3/8"-24	32 ft-lbs	21 ft-lbs
7/16"-20	50 ft-lbs	34 ft-lbs
1/2"-20	77 ft-lbs	51 ft-lbs
9/16"-18	110 ft-lbs	73 ft-lbs
5/8"-18	155 ft-lbs	105 ft-lbs
3/4"-16	270 ft-lbs	180 ft-lbs
7/8"-14	430 ft-lbs	285 ft-lbs
1"-14	655 ft-lbs	435 ft-lbs
1 1/8"-12	805 ft-lbs	535 ft-lbs
1 1/4"-12	1,120 ft-lbs	745 ft-lbs
1 3/8"-12	1,510 ft-lbs	1,010 ft-lbs
1 1/2"-12	1,980 ft-lbs	1,320 ft-lbs



# Serial Number Location

Each Freeman Baler is identified by means of a baler model number and baler serial number. As a further identification, all power units are provided with a serial number. The serial number is an important piece of information about the machine and it may be necessary to know it before obtaining the correct replacement part. The serial number is located on the top chamber rail on the rear left-hand side, above the tool box. To ensure prompt, efficient service when ordering parts or requesting repairs from your authorized Freeman dealer, record the serial numbers in the spaces provided.

## Baler Serial Number

Rear, left side of baler on upper frame.

---

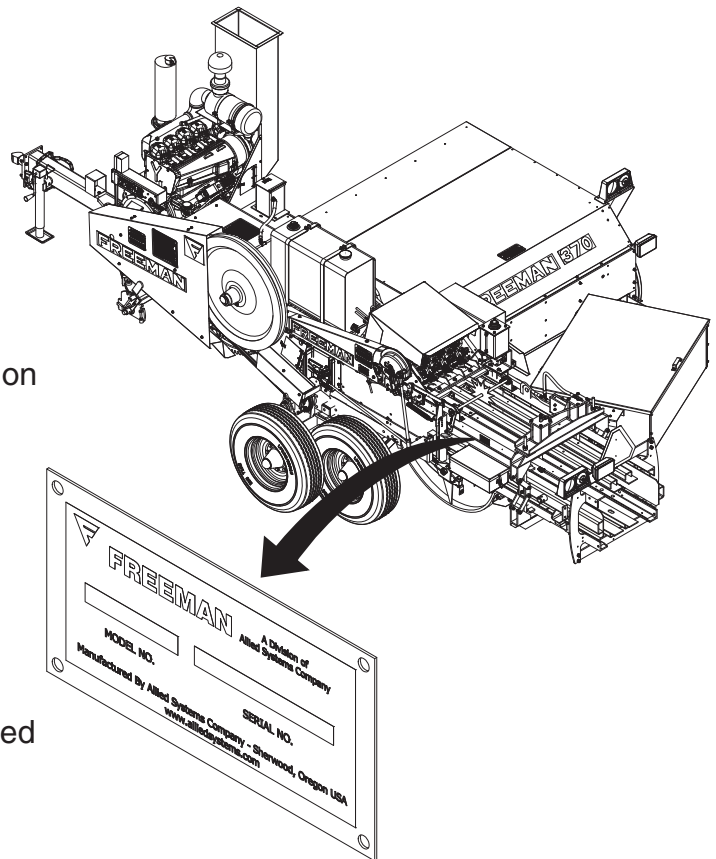
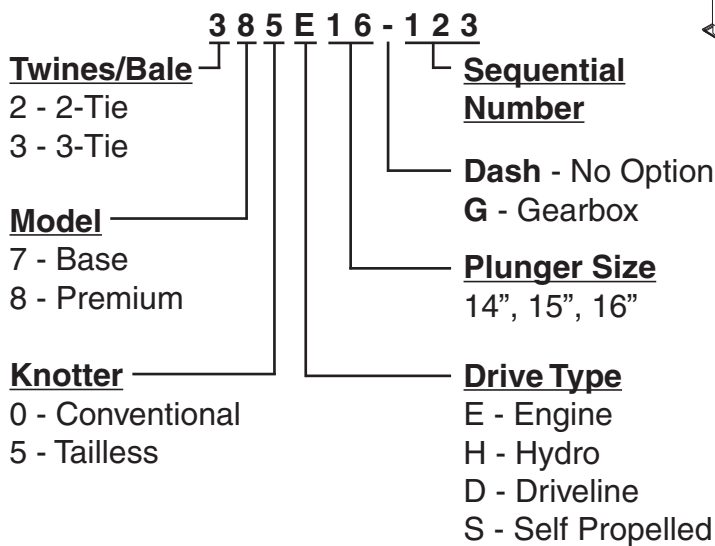
## Power Unit Serial Number

John Deere - right, rear side of engine.

---

**NOTE:** Reference to left-hand and right-hand used throughout the manual are understood to mean from a position facing in the direction of travel.

### Side Feed Baler Serial Number Format As Of 2011



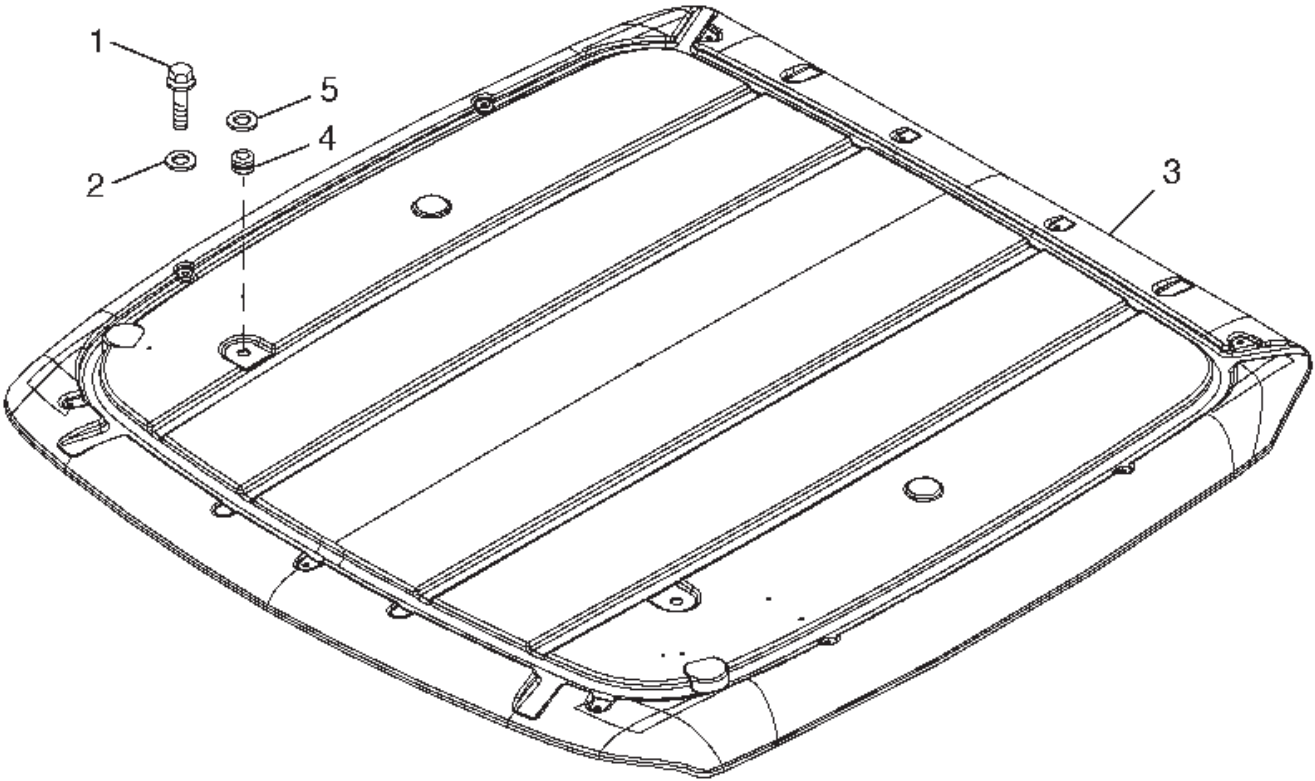
Baler Serial Number Location

# Outer Cab Roof

Page 1 of 1

Item	Part No.	Qty	Description	Item	Part No.	Qty	Description
	<b>907465</b>		<b>Outer Cab Roof</b>				
1	907206	A/R	. Screw	4	907468	2	. Bushing
2	907466	A/R	. Washer	5	907469	2	. Washer
3	907467	1	. Roof				

Rev -

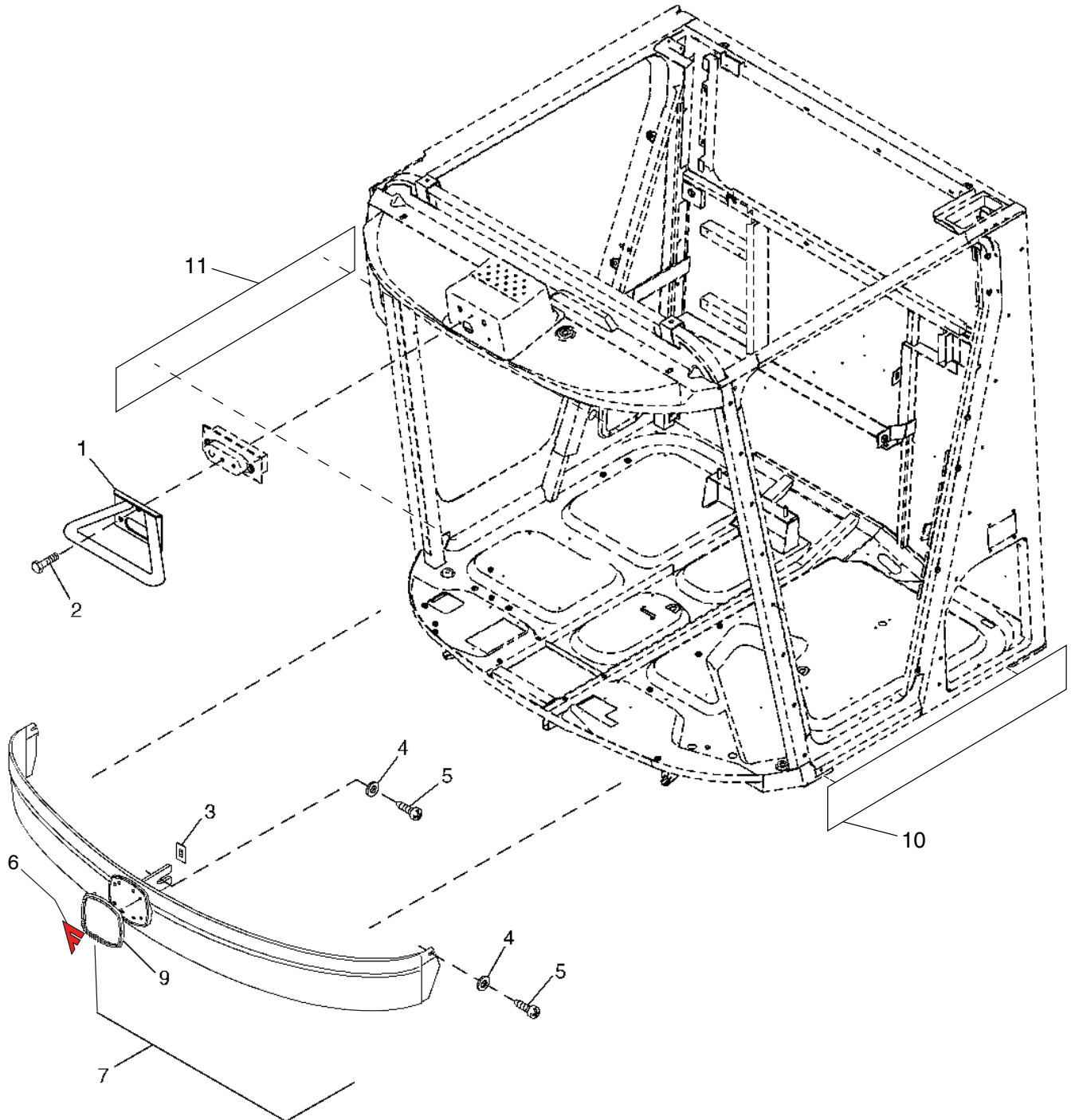


# Cab Handle & Fascia

Page 1 of 1

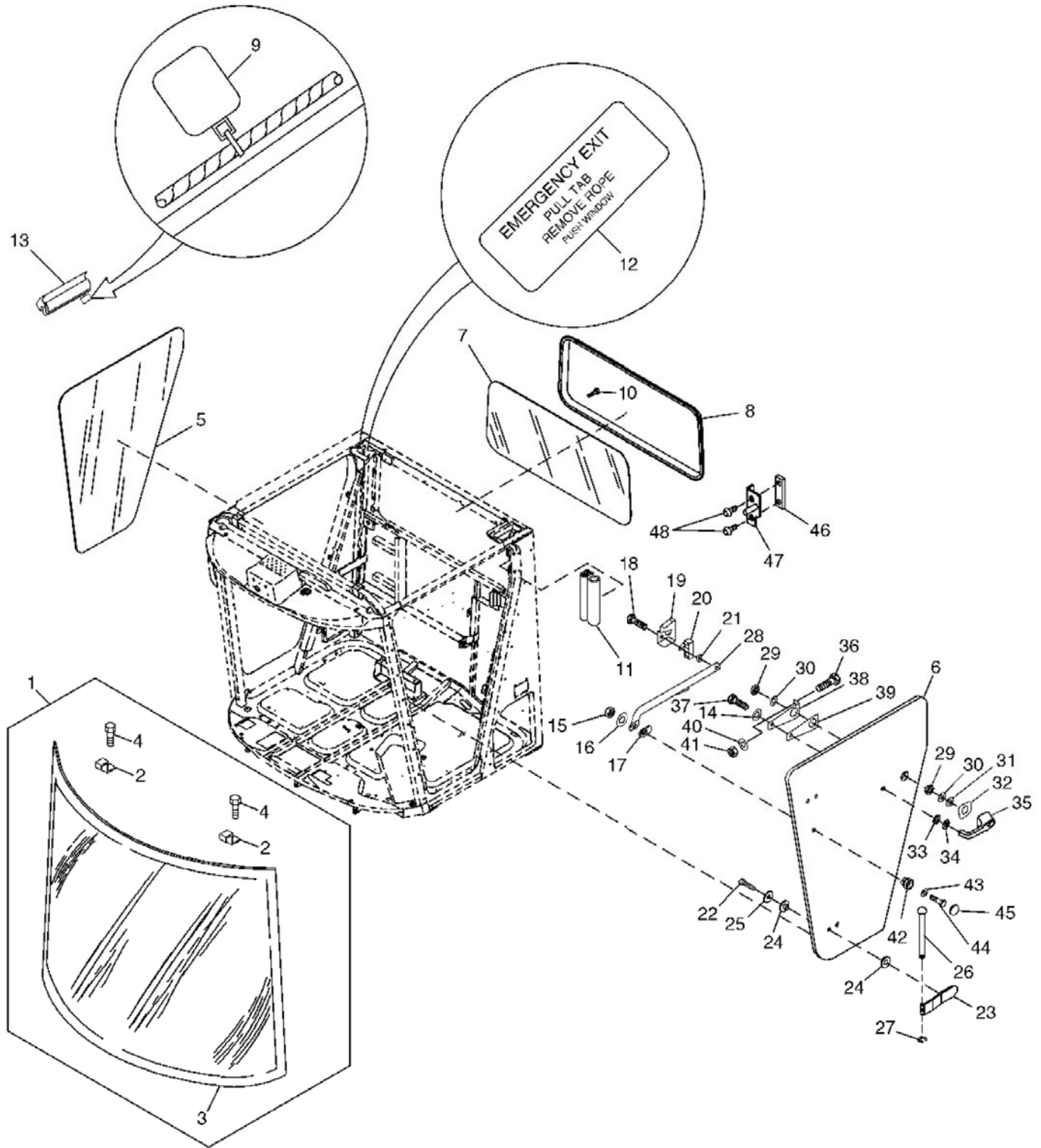
Item	Part No.	Qty	Description	Item	Part No.	Qty	Description
	<b>907280</b>		<b>Cab Handle and Fascia</b>				
1	907281	1	. Handle	7	* 907286	1	. Shield
2	NSS	3	. Screw	9	* 907288	1	. Bezel
3	* NSS	8	. Nut	10	907918	1	. Shield, LH
4	NSS	3	. Washer	11	907978	1	. Shield, RH
5	NSS	3	. Screw				
6	905235	1	. Decal, Freeman Logo, Red				* Item #7 includes (1) item #9, and (8) item #3.

Rev -



# Cab Glass & Door

Page 1 of 2



# Cab Glass & Door

Page 2 of 2

Item	Part No.	Qty	Description	Item	Part No.	Qty	Description
	<b>907232</b>		<b>Cab Glass and Door</b>				
1	907235	1	. Windshield Kit	25	907256	4	. Lock Washer
2	907234	2	.. Bracket	26	907257	2	. Pin
3	NSS	1	.. Windshield	27	907258	2	. Snap Ring
4	907233	2	.. Screw	28	907259	1	. Tube
5	907236	1	. Windowpane	29	907260	1	. Nut
6	907237	1	. Door	30	907261	1	. Washer
7	907238	1	. Windowpane	31	907262	1	. Bushing
8	907239	1	. Bezel	32	907263	1	. Gasket
9	907240	1	. Tie Band	33	907264	1	. Gasket
10	907241	12	. Screw	34	907265	1	. Bushing
11	907242	1	. Seal	35	907266	1	. Handle
12	907243	1	. Label	36	907267	2	. Screw
13	907244	1	. Weatherstrip	37	907268	1	. Screw
14	907245	1	. Washer	38	907269	1	. Bracket
15	907246	1	. Lock Nut	39	907270	1	. Spacer
16	907247	1	. Washer	40	907209	2	. Washer
17	907248	1	. Isolator	41	907272	2	. Lock Nut
18	907249	1	. Screw	42	907273	1	. Bushing
19	907250	1	. Cover	43	907274	1	. Washer
20	907251	1	. Latch	44	907275	1	. Screw
21	907252	1	. Bearing	45	907276	1	. Cap
22	907253	4	. Screw	46	907277	1	. Strap
23	907254	2	. Hinge	47	907278	1	. Striker
24	907255	8	. Washer	48	907279	2	. Screw

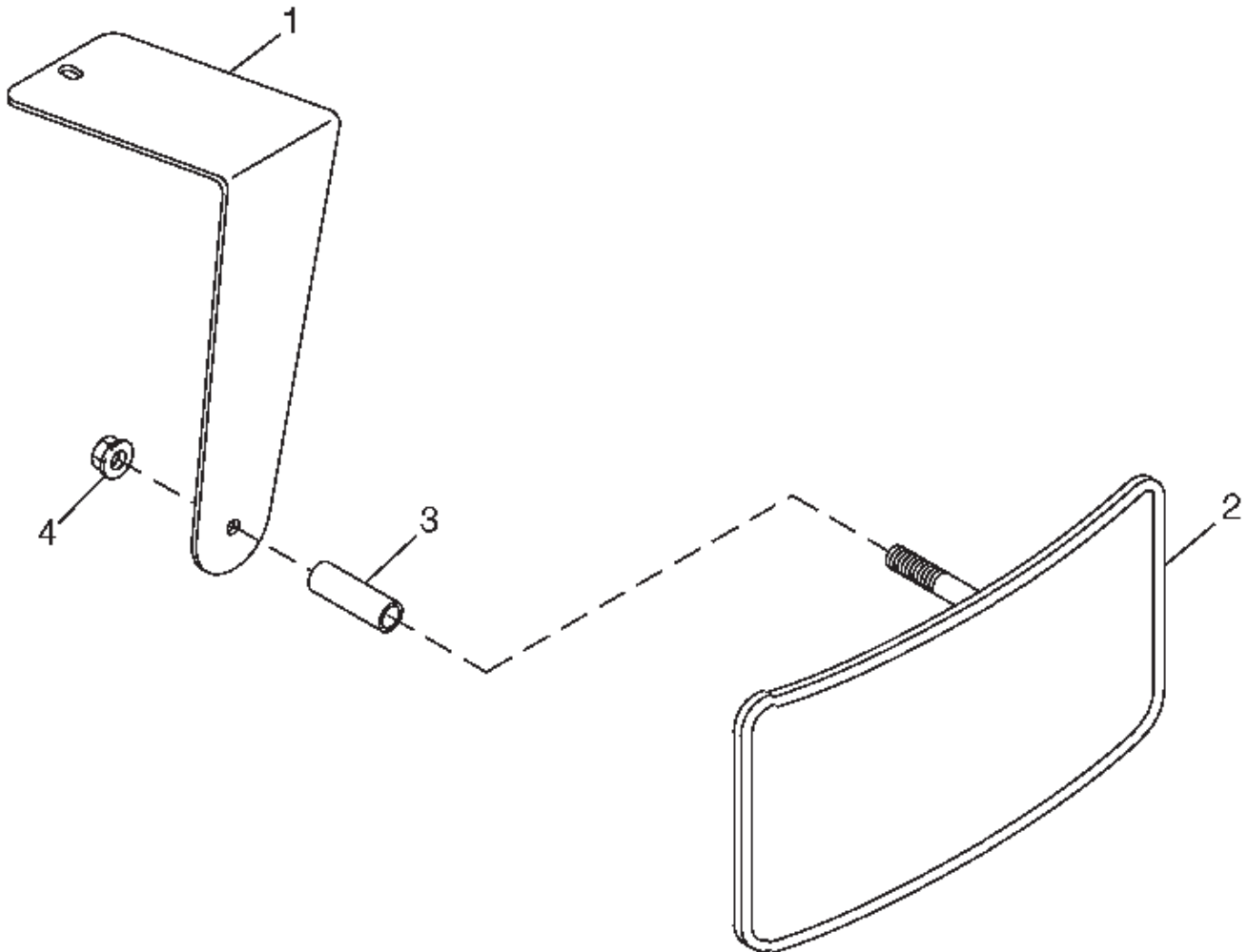
Rev -

# Rear View Mirror Assembly

Page 1 of 1

Item	Part No.	Qty	Description	Item	Part No.	Qty	Description
	<b>907470</b>		<b>Rear View Mirror Assembly</b>				
1	907471	1	. Bracket	3	907473	1	. Spacer
2	907472	1	. Rear View Mirror	4	907474	1	. Nut

Rev -

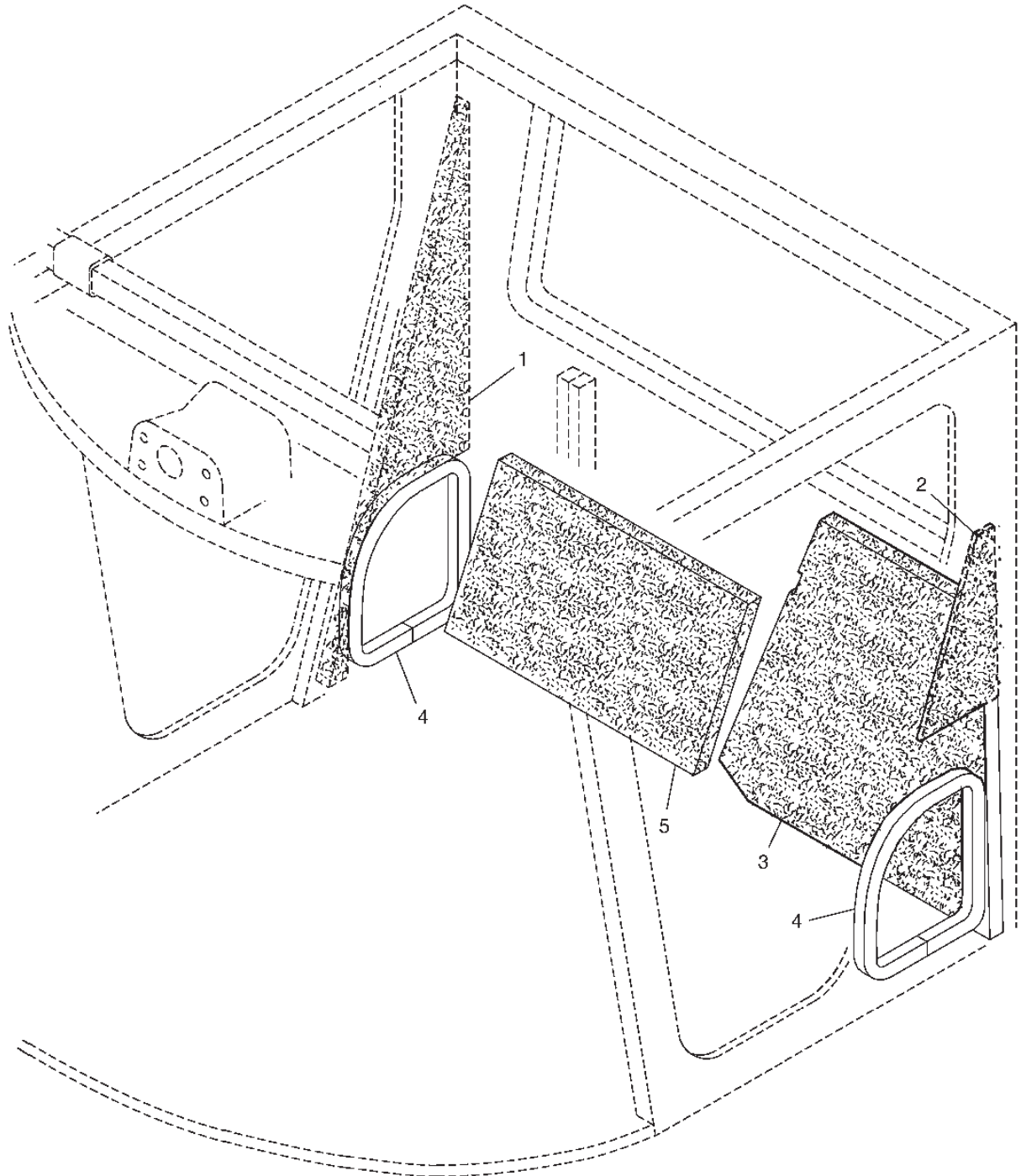


# Sound Dampening Parts

Page 1 of 1

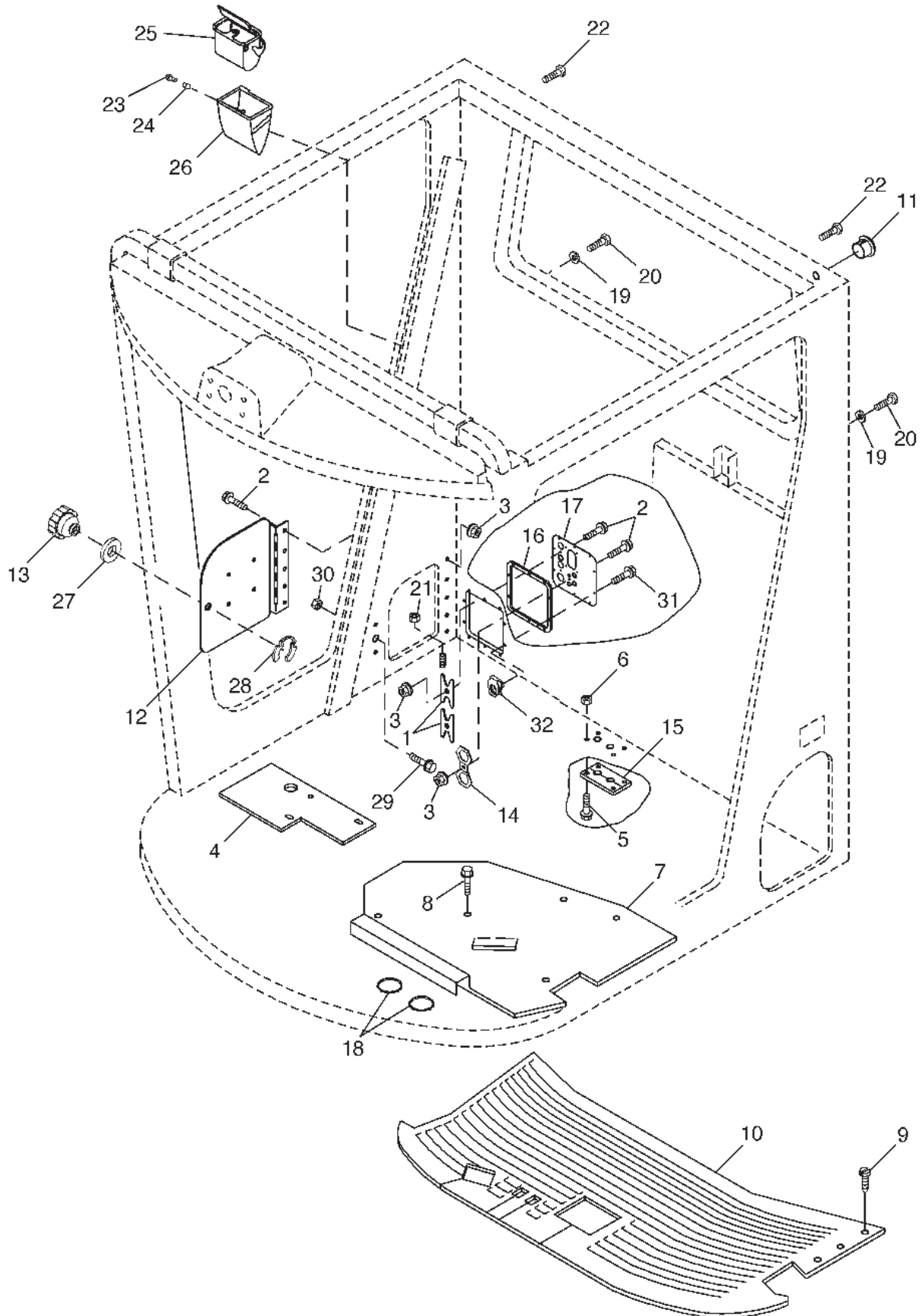
Item	Part No.	Qty	Description	Item	Part No.	Qty	Description
	<b>907483</b>		<b>Sound Dampening Parts</b>				
1	907484	1	.Barrier	4	907242	2	.Weatherstrip
2	907485	1	.Barrier	5	907487	1	.Barrier
3	907486	1	.Barrier				

Rev -



# Cab Panels & Floor Mat Assembly

Page 1 of 2





# Cab Panels & Floor Mat Assembly

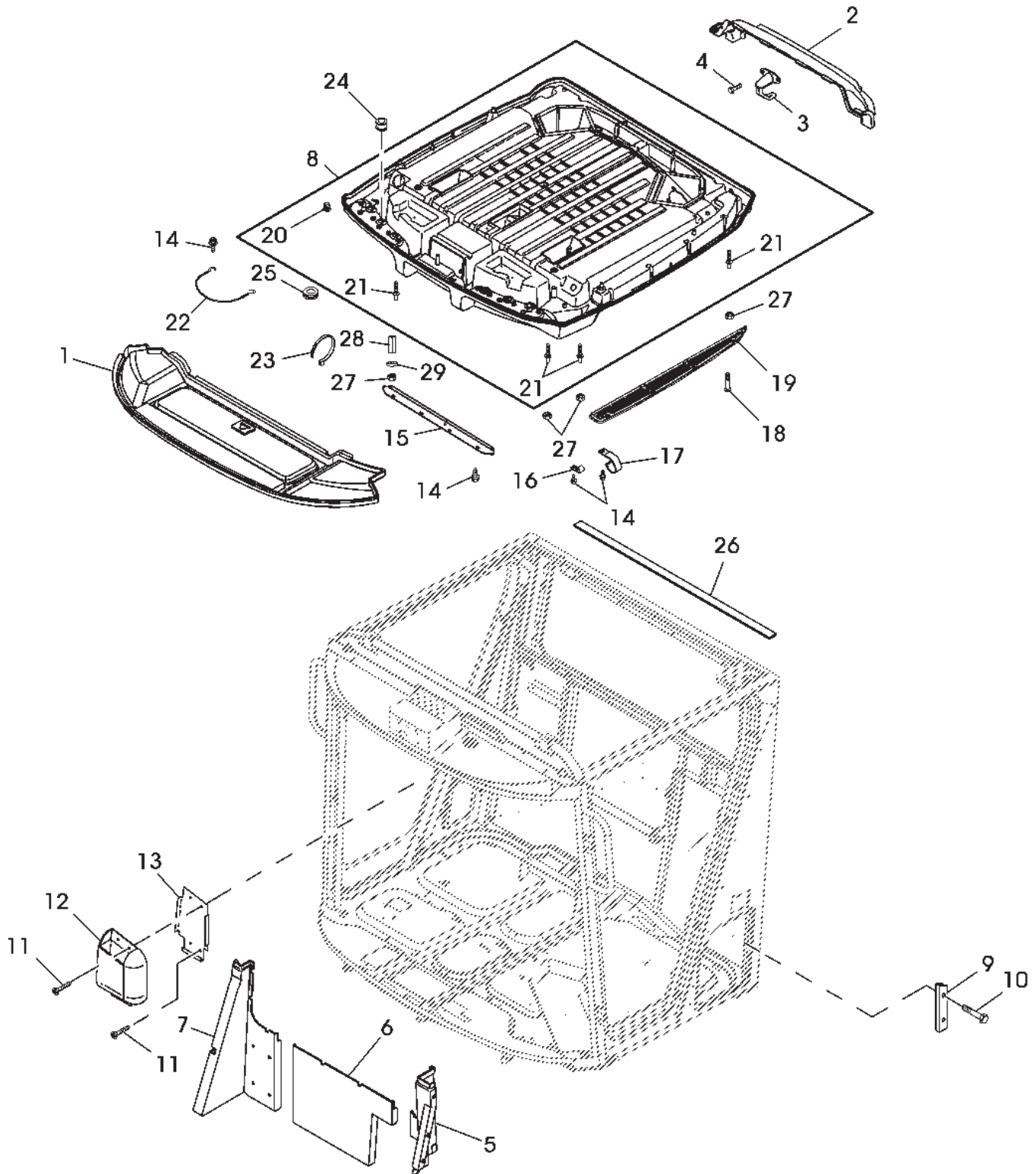
Page 2 of 2

Item	Part No.	Qty	Description	Item	Part No.	Qty	Description
	<b>907329</b>		<b>Cab Panels and Floor Mat Assy</b>				
1	907330	2	. Plate	17	907340	1	. Cover
2	NSS	7	. Screw	18	907341	2	. Plug
3	NSS	7	. Flange Nut	19	NSS	2	. Washer
4	907332	1	. Plate	20	NSS	2	. Screw
5	NSS	4	. Screw	21	NSS	1	. Flange Nut
6	NSS	4	. Nut	22	NSS	2	. Screw
7	907333	1	. Sheet	23	NSS	2	. Screw
8	NSS	7	. Screw	24	NSS	2	. Nut
9	NSS	3	. Screw	25	907346	1	. Ashtray
10	907334	1	. Mat	26	907347	1	. Housing
11	907335	1	. Plug	27	907348	1	. Washer
12	907336	1	. Door	28	907228	1	. Snap Ring
13	907230	1	. Knob	29	NSS	1	. Screw
14	907337	1	. Plate	30	NSS	1	. Nut
15	907338	2	. Strap	31	NSS	10	. Screw
16	907339	1	. Seal	32	NSS	10	. Nut

Rev -

# Cab Interior Roof & Trim Panels

Page 1 of 2



# Cab Interior Roof & Trim Panels

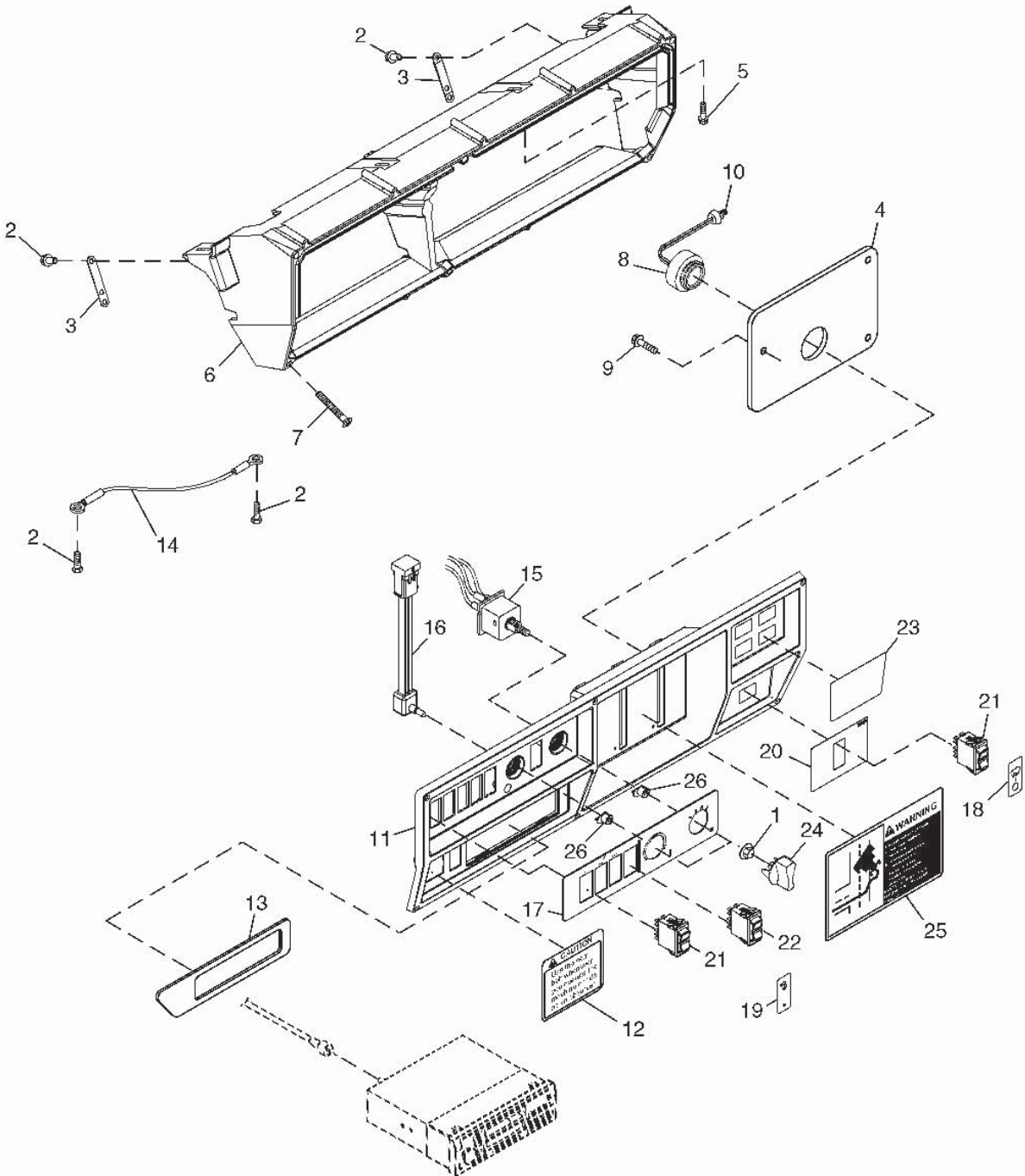
Page 2 of 2

Item	Part No.	Qty	Description	Item	Part No.	Qty	Description
<b>907301 Cab Interior Roof and Trim Panels</b>							
1	907302	1	. Headliner	16	907316	2	. Clip
2	907303	1	. Headliner, Rear	17	907317	3	. Clamp
3	907304	1	. Hook	18	NSS	4	. Screw
4	907305	2	. Screw	19	907319	1	. Cover
5	907306	1	. Panel, LH	20	NSS	AR	. Nut
6	907307	1	. Panel, Rear	21	907321	4	. Stud
7	907308	1	. Panel, RH	22	907988	2	. Wiring Lead
8	907309	1	. Roof	23	907211	4	. Tie Band
9	907310	1	. Cover	24	907323	6	. Grommet
10	NSS	1	. Cap Screw	25	907324	1	. Isolator
11	NSS	4	. Screw	26	907325	1	. Isolator
12	907313	1	. Container	27	NSS	4	. Flange Nut
13	907314	1	. Panel	28	907327	2	. Bushing
14	NSS	AR	. Screw	29	907328	2	. Knob
15	907315	1	. Bracket				

Rev -

# Overhead Console Panel Assembly

Page 1 of 2



# Overhead Console Panel Assembly

Page 2 of 2

Item	Part No.	Qty	Description	Item	Part No.	Qty	Description
	907728		Overhead Console Panel Assembly				
1	NSS	2	. Lock Nut	15	907989	1	. Switch
2	NSS	7	. Screw	16	907990	1	. Potentiometer
3	907979	3	. Strap	17	907991	1	. Instrument Panel
4	907980	1	. Bracket	18	907992	1	. Label, Wiper
5	NSS	4	. Screw	19	907993	1	. Label, Hazard Lights
6	907981	1	. Support	19	907994	1	. Label, Road Lights
7	NSS	6	. Screw	19	907995	1	. Label, Field Lights
8	907982	1	. Horn	19	907996	1	. Label, Work Lights
9	NSS	3	. Screw	20	907997	1	. Graphics Panel
10	907983	1	. Elec. Connector Housing	21	907998	4	. Toggle/Rocker Switch, 2-Position
10	907984	1	. Elec. Connector Terminal	22	907999	1	. Toggle/Rocker Switch, 3-Position
11	907985	1	. Console	23	908000	1	. Graphics Panel
12	907986	1	. Label	24	908001	2	. Knob
13	907987	1	. Graphics Panel	25	908002	1	. Label, Warning
14	907988	2	. Wiring Lead	26	908003	2	. Cam

Rev -

---

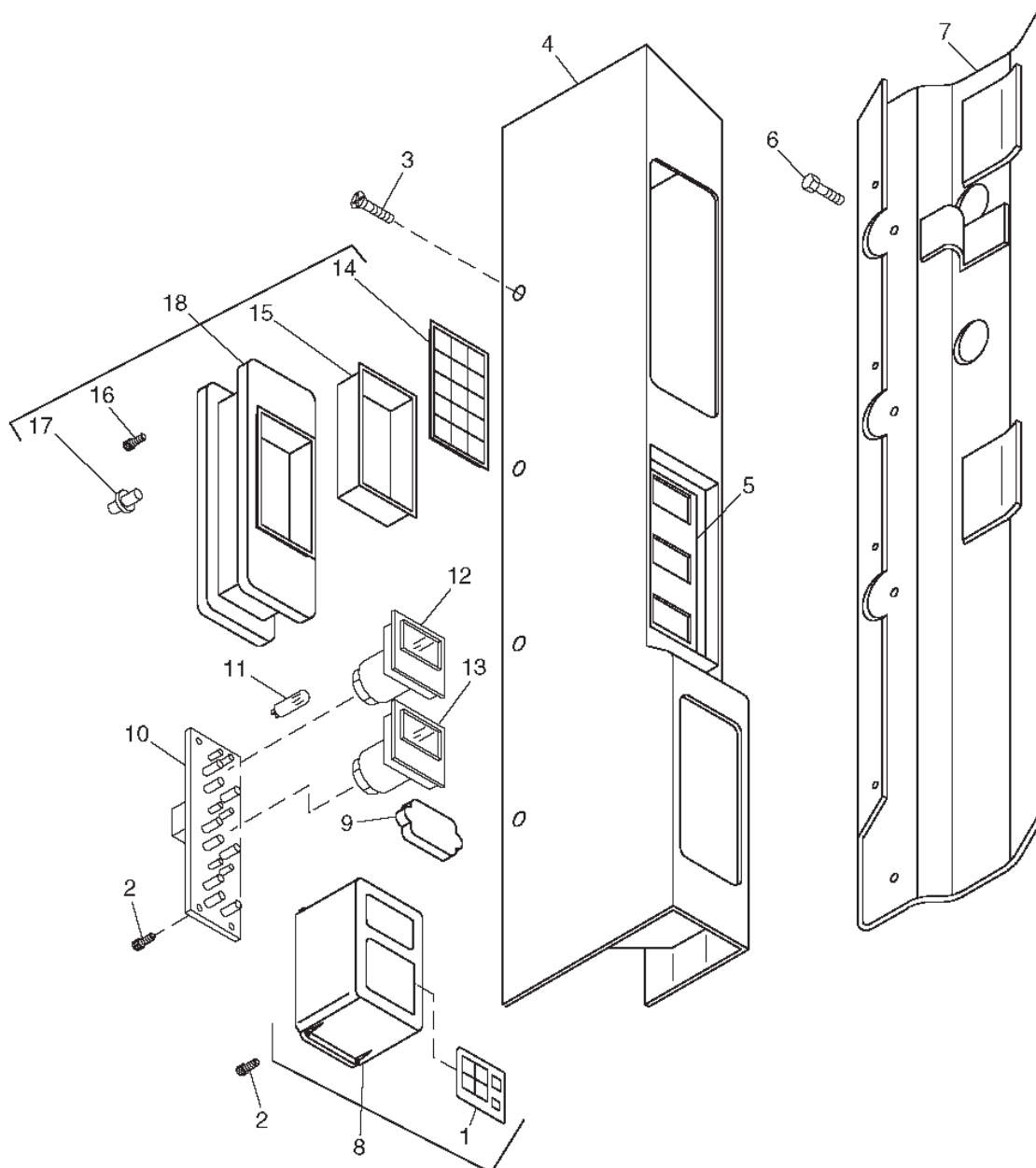
This page is intentionally left blank.

# Instrument Panel, Cab Post

Page 1 of 1

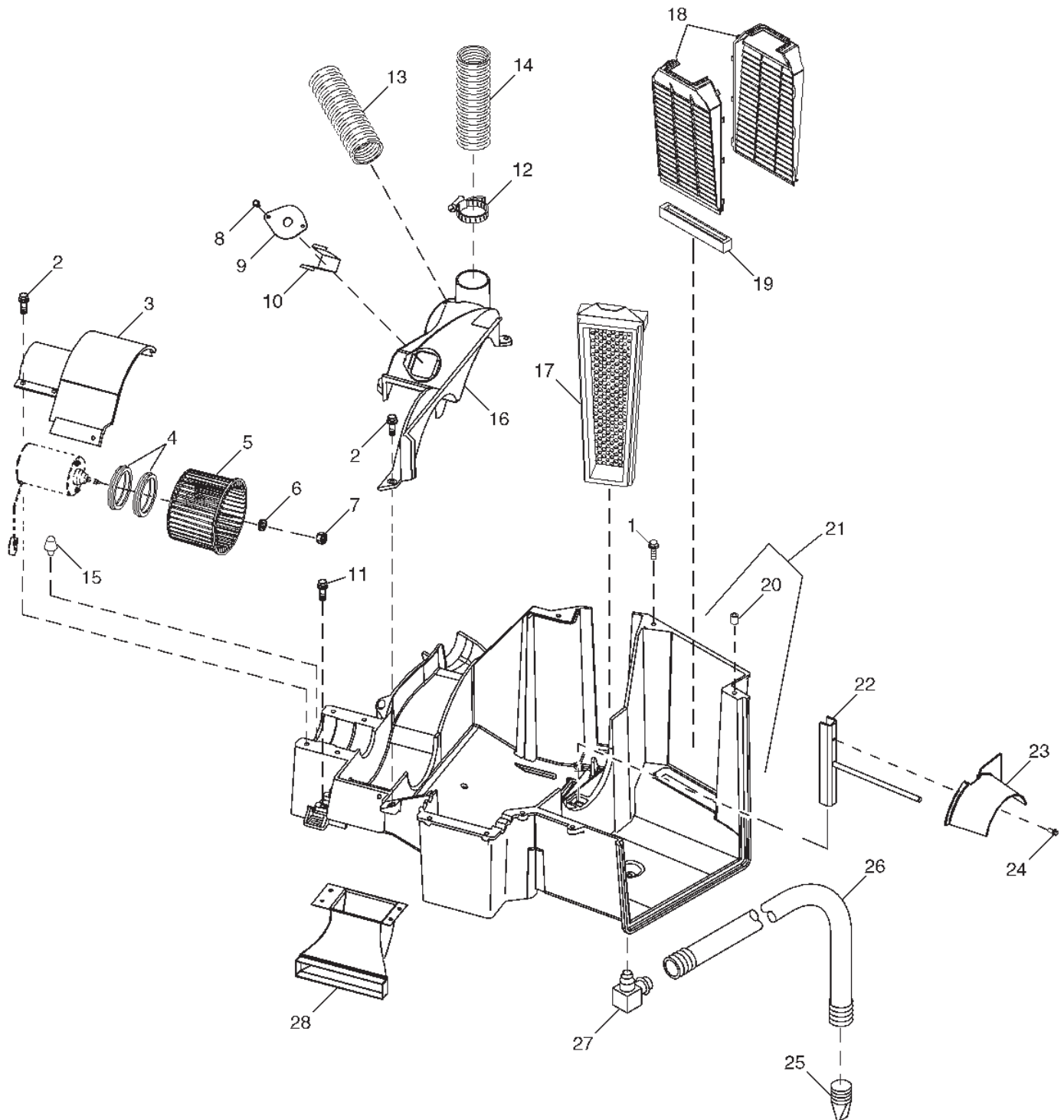
Item	Part No.	Qty	Description	Item	Part No.	Qty	Description
<b>907746 Instrument Panel, Cab Post</b>							
1	908004	1	. Label, Tachometer	10	908010	1	. Circuit Board
2	NSS	AR	. Screw	11	907545	2	. Bulb
3	NSS	4	. Screw	12	908012	1	. Gauge, Fuel
4	908005	1	. Panel	13	908013	1	. Temperature Gauge
5	908006	1	. Panel	14	908014	1	. Panel
6	NSS	4	. Screw	15	908015	1	. Module
7	908007	1	. Bracket	16	NSS	4	. Screw
8	908008	1	. Digital Display Kit	17	908016	12	. Bulb
9	908009	1	. Cover	18	908017	1	. Digital Display

Rev -



# A/C, Heater Housing & Filters, Lower

Page 1 of 2





# A/C, Heater Housing & Filters, Lower

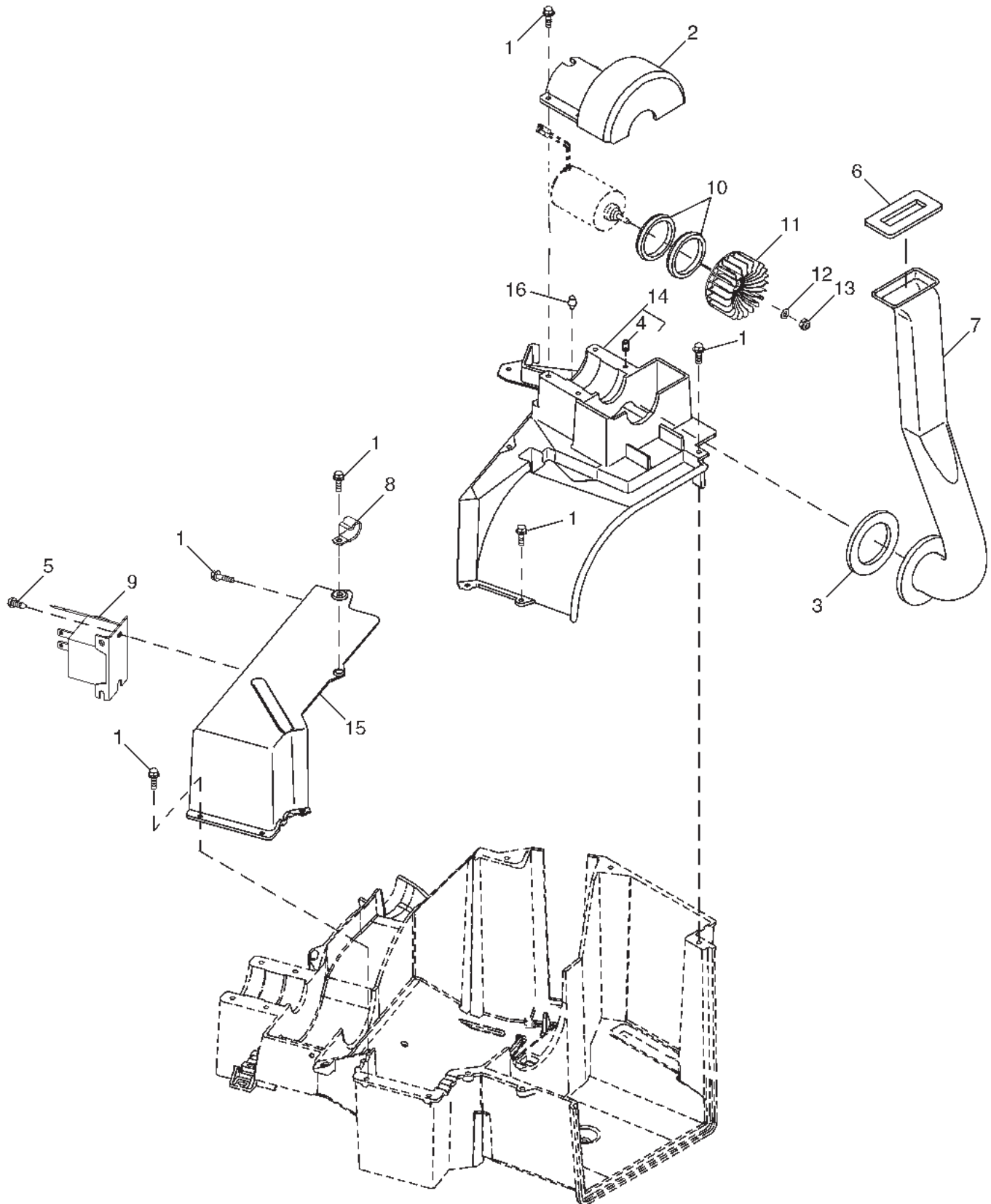
Page 2 of 2

Item	Part No.	Qty	Description	Item	Part No.	Qty	Description
	<b>907164</b>		<b>AC, Heater Housing and Filters, Lower</b>				
1	907165	2	. Screw	16	907174	1	. Housing
2	907102	AR	. Screw	17	907175	1	. Air Filter, Cab Recirculating
3	907166	1	. Cover	18	907176	2	. Housing
4	907111	2	. Isolator	19	907177	1	. Seal
5	907167	1	. Blower Fan	20	907105	22	. Insert
6	907113	1	. Washer	21	907178	1	. Housing
7	907114	1	. Lock Nut	22	907179	1	. Support
8	907106	2	. Screw	23	907180	1	. Dust Shield
9	907168	1	. Resistor	24	907181	1	. Screw
10	907169	1	. Shield	25	907182	1	. Check Valve
11	907170	2	. Screw	26	907183	1	. Tube
12	907171	2	. Clamp	27	907184	1	. Fitting
13	907172	1	. Conduit	28	907185	1	. Air Duct
14	907173	1	. Conduit				
15	907117	1	. Absorber				

Rev -

# A/C & Heater Housing, Upper

Page 1 of 2



# A/C & Heater Housing, Upper

Page 2 of 2

Item	Part No.	Qty	Description	Item	Part No.	Qty	Description
	<b>907101</b>		<b>AC and Heater Housing, Upper</b>				
1	907102	A/R	. Screw	9	907110	1	. Temperature Switch
2	907103	1	. Cover	10	907111	2	. Isolator
3	907104	1	. Seal	11	907112	1	. Fan
4	907105	5	. Screw	12	907113	1	. Washer
5	907106	2	. Screw	13	907114	1	. Lock Nut
6	907107	1	. Seal	14	907115	1	. Housing
7	907108	1	. Air Duct	15	907116	1	. Housing
8	907109	1	. Clip	16	907117	1	. Absorber

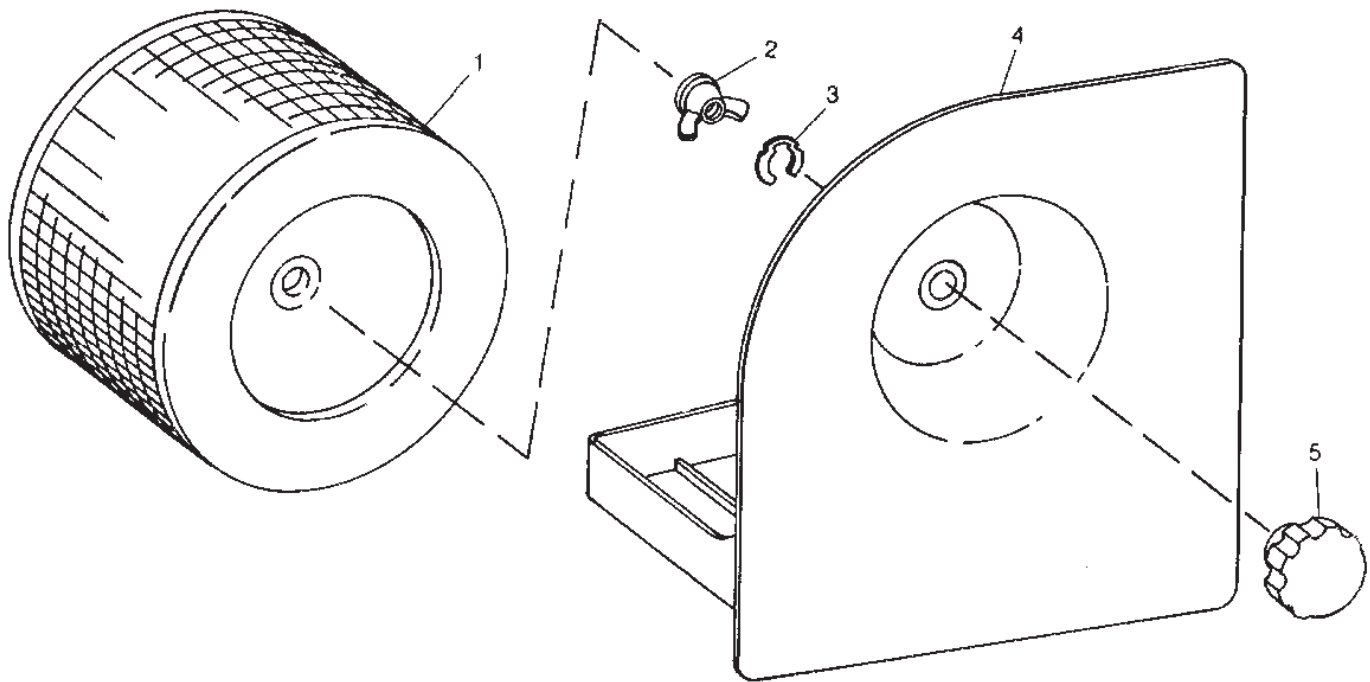
Rev -

# Cab Air Filter & Housing

Page 1 of 1

Item	Part No.	Qty	Description	Item	Part No.	Qty	Description
	<b>907225</b>		<b>Cab Air Filter and Housing</b>				
1	907226	1	. Air Filter	4	907229	1	. Door
2	907227	1	. Nut	5	907230	1	. Knob
3	907228	1	. Snap Ring	..	907231	1	. Label

Rev -

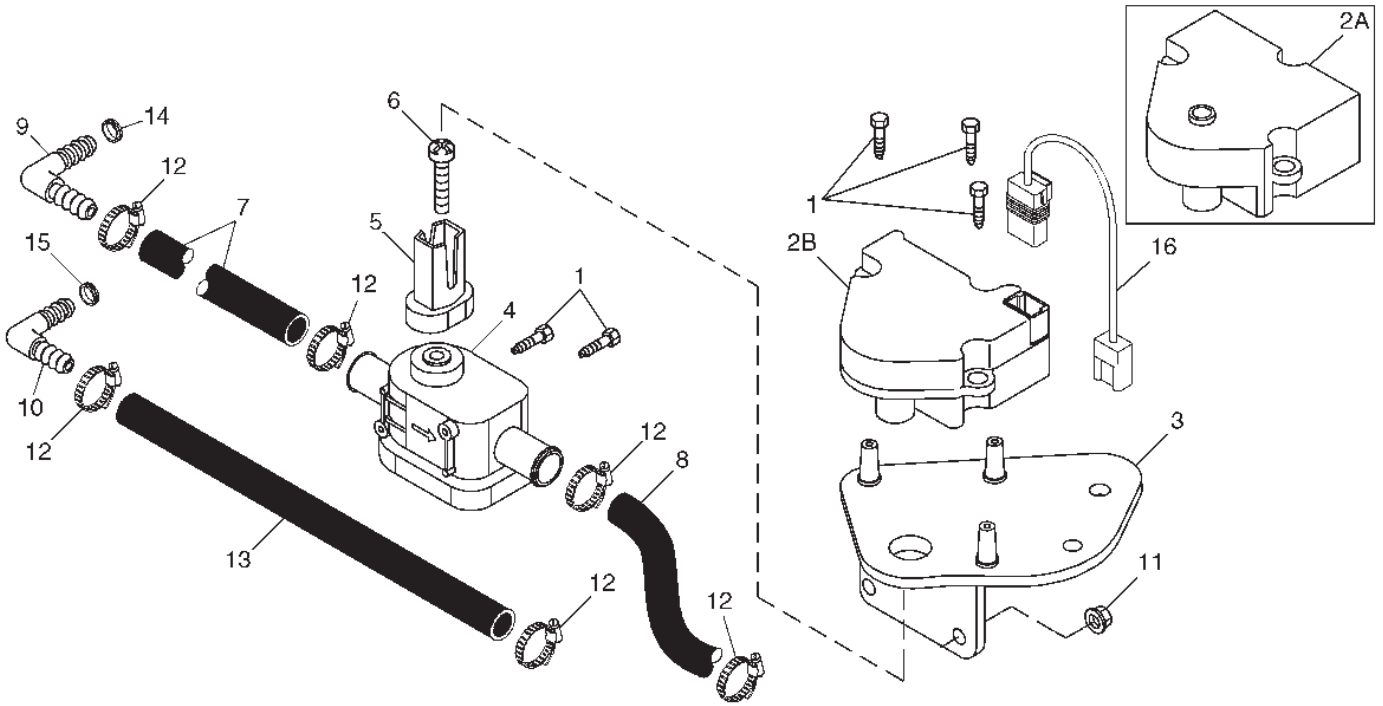


# A/C System, Water Valve Assembly

Page 1 of 1

Item	Part No.	Qty	Description	Item	Part No.	Qty	Description
	<b>907147</b>		<b>AC System, Water Valve Assy</b>				
1	907148	5	. Screw	9	907157	1	. Fitting
2A	907149	1	. Actuator	10	907158	1	. Fitting
2B	907150	1	. Actuator	11	907159	2	. Flange Nut
3	907151	1	. Bracket	12	907160	6	. Hose Clamp
4	907152	1	. Valve	13	907155	1	. Bulk Hose
5	907153	1	. Adapter	14	907161	1	. Grommet
6	907154	1	. Screw	15	907162	1	. Grommet
7	907155	1	. Bulk Hose	16	907163	1	. Wiring Harness
8	907156	1	. Hydraulic Hose				

Rev -

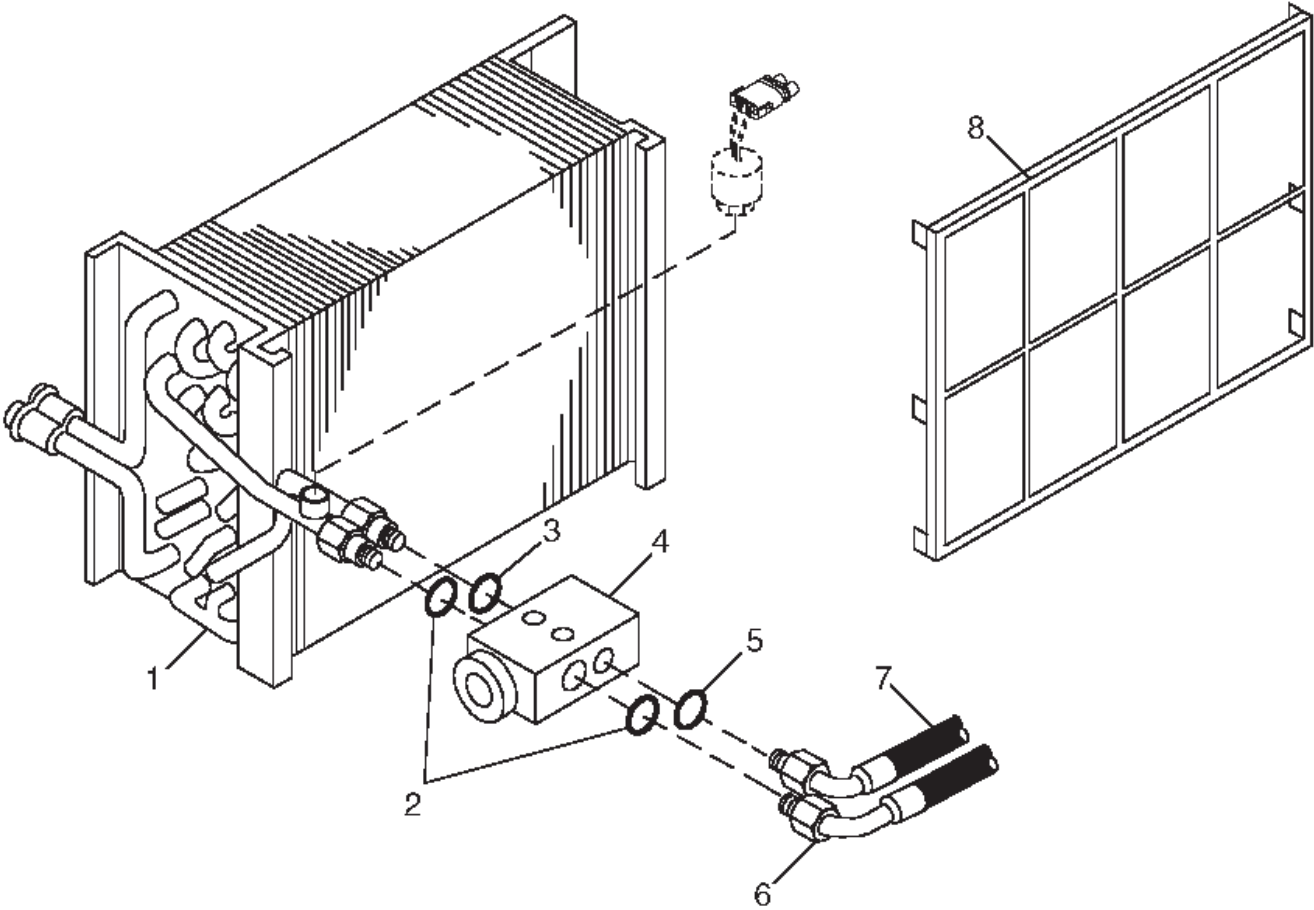


# A/C System, Evaporator Heater

Page 1 of 1

Item	Part No.	Qty	Description	Item	Part No.	Qty	Description
	<b>907140</b>		<b>AC System, Evaporator Heater</b>				
1	907141	1	. Heat Exchanger	5	907137	1	. O-Ring
2	907139	2	. O-Ring	6	907143	1	. Hose
3	907138	1	. O-Ring	7	907144	1	. Hose
4	907142	1	. Valve	8	907145	1	. Filter

Rev -

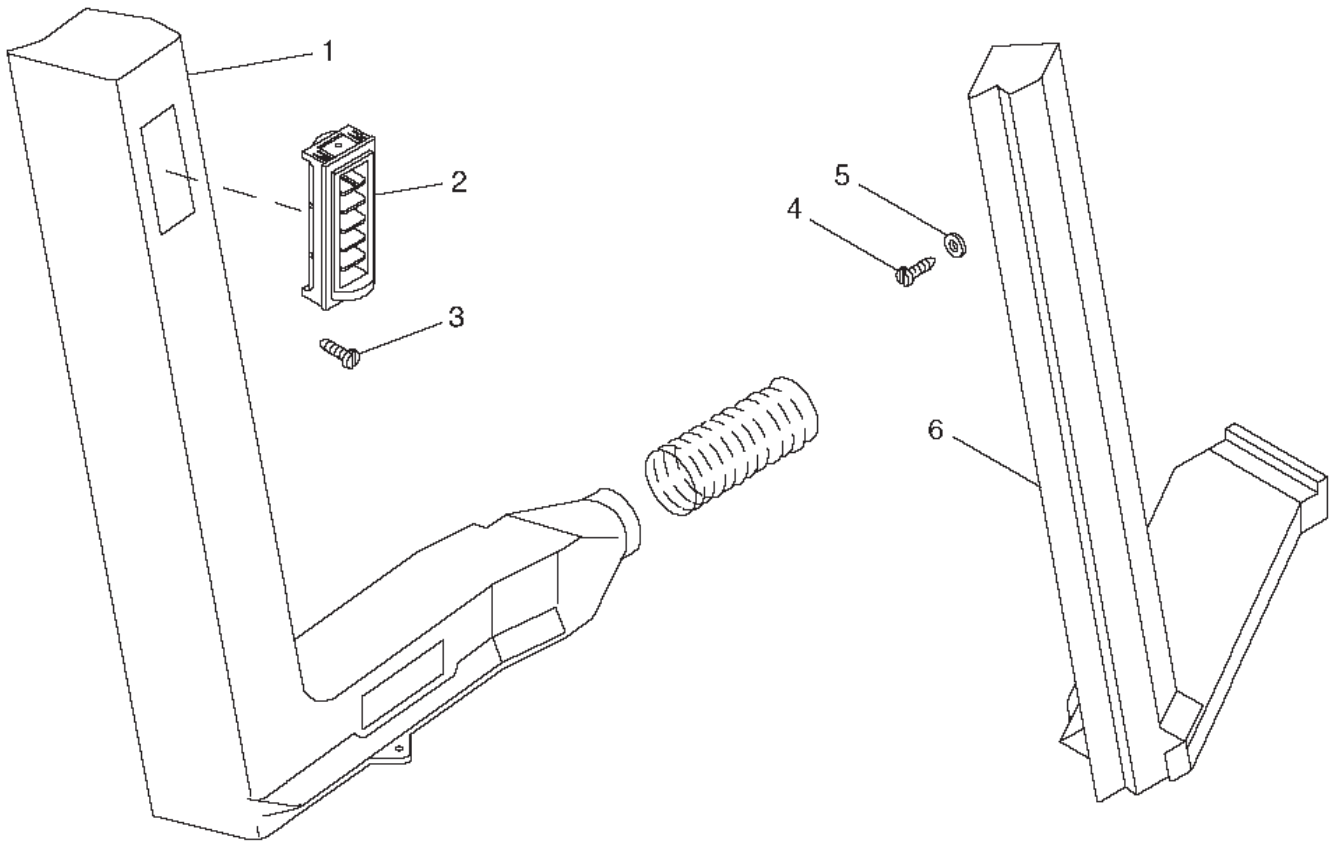


# A/C & Heater Ducts

Page 1 of 1

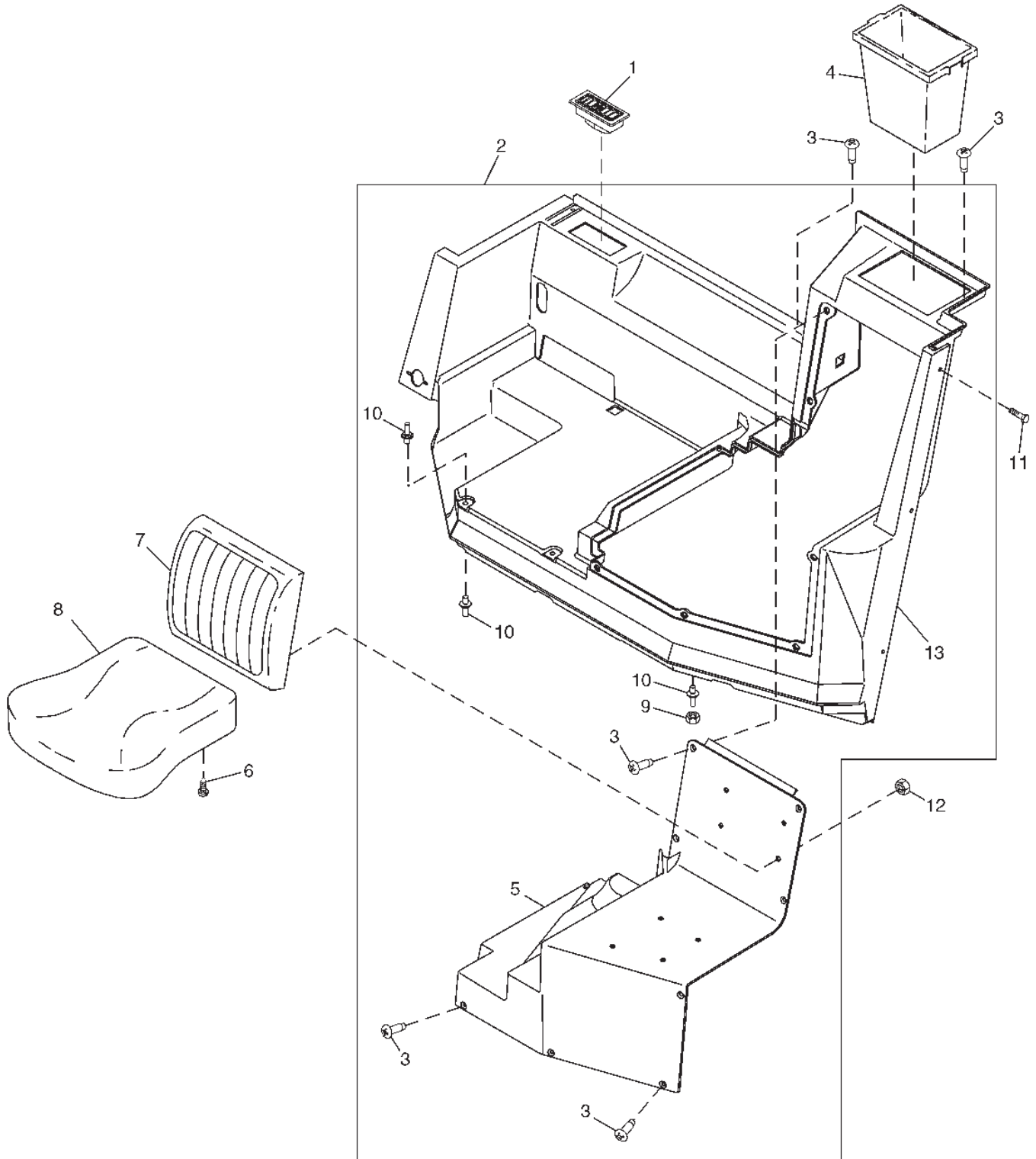
Item	Part No.	Qty	Description	Item	Part No.	Qty	Description
	<b>907094</b>		<b>AC and Heater Ducts</b>				
1	907095	1	. Air Duct	4	NSS	1	. Screw
2	907096	6	. Louver	5	907099	1	. Washer
3	NSS	1	. Screw	6	907100	1	. Housing

Rev -



# Seat Shrouds & Instructional Seat

Page 1 of 2





# Seat Shrouds & Instructional Seat

Page 2 of 2

Item	Part No.	Qty	Description	Item	Part No.	Qty	Description
	<b>907475</b>		<b>Seat Shrouds and Instructional Seat</b>				
1	907476	1	. Box	8	907481	1	. Seat
2	907477	1	. Console	9	907326	4	. Flange Nut
3	NSS	12	. Screw	10	907482	6	. Stud
4	907478	1	. Container	11	907311	6	. Cap Screw
5	907479	1	. Cover	12	907136	2	. Flange Nut
6	907233	7	. Screw	13	NSS	1	. Console
7	907480	1	. Cushion				

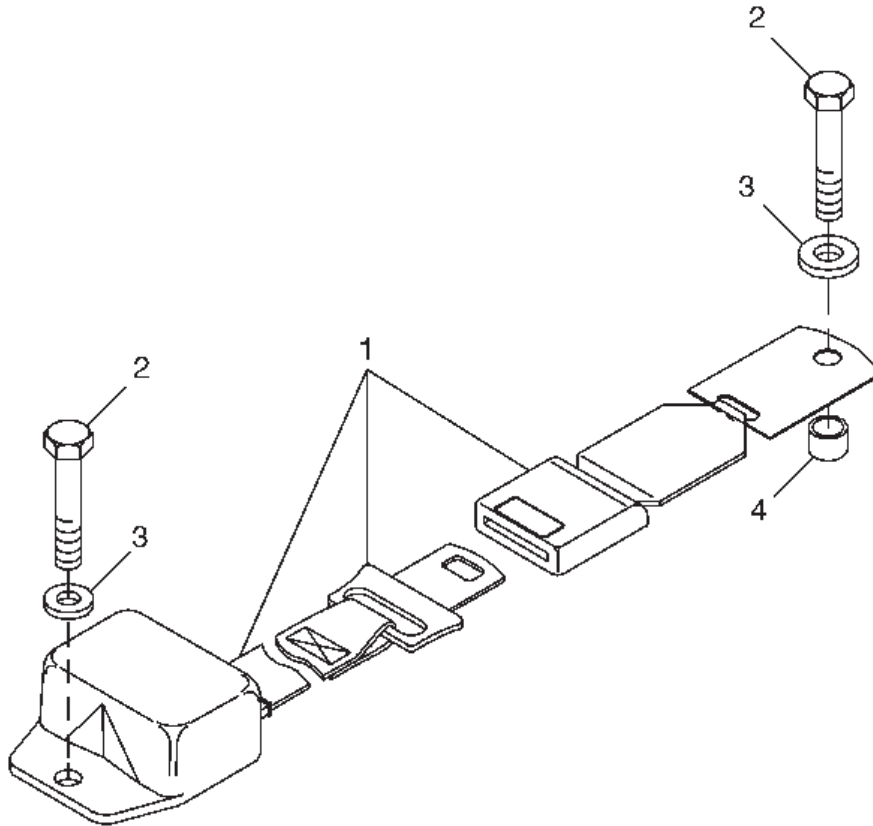
Rev -

# Seat Belt, Instructional Seat

Page 1 of 1

Item	Part No.	Qty	Description	Item	Part No.	Qty	Description
	<b>907389</b>		<b>Seat Belt, Instructional Seat</b>				
1	907390	1	. Seat Belt	3	907392	2	. Washer
2	907391	2	. Cap Screw	4	907393	1	. Spacer

Rev -

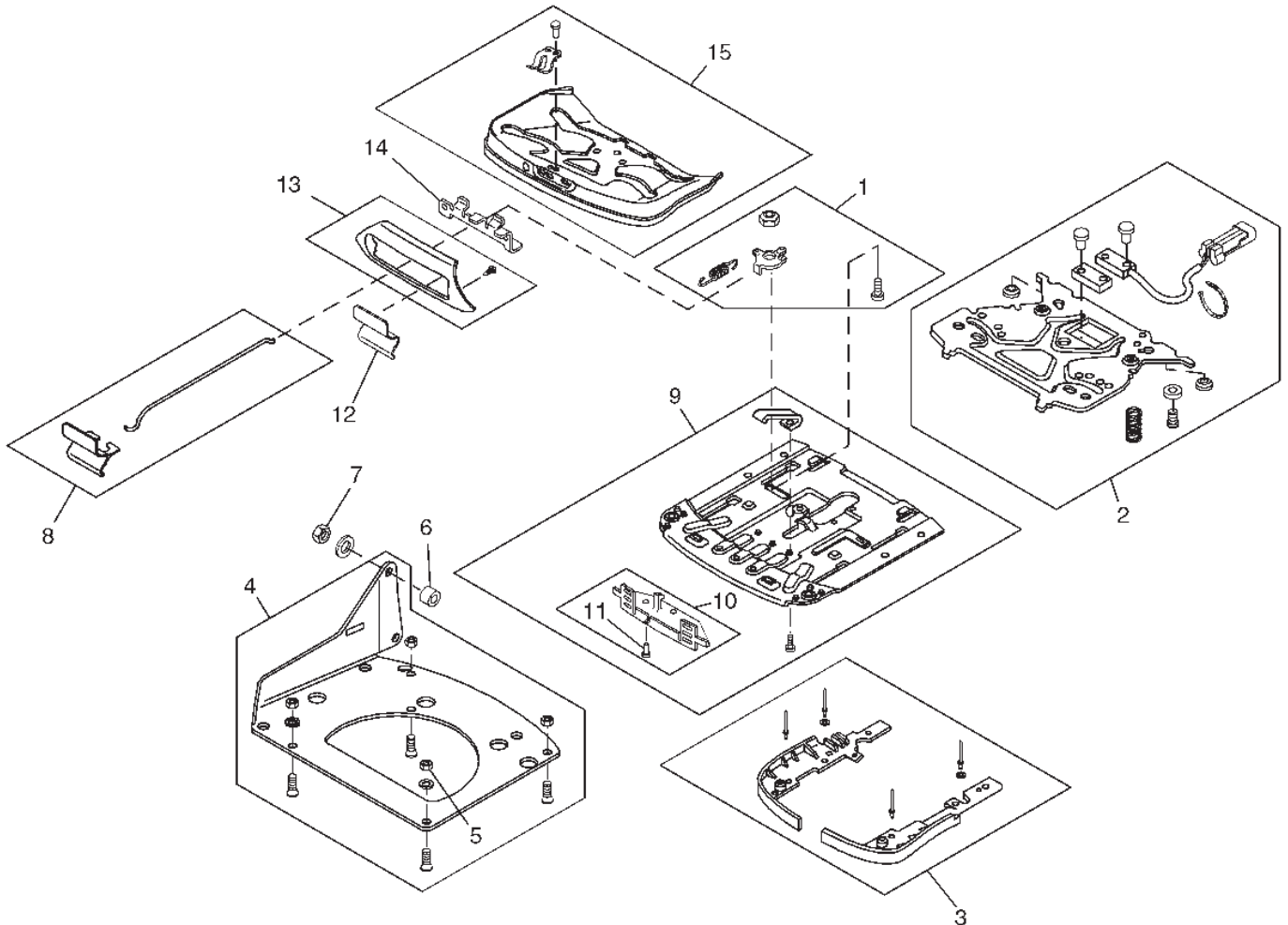


# Operators Seat Pivot & Adjust Assemblies

Page 1 of 1

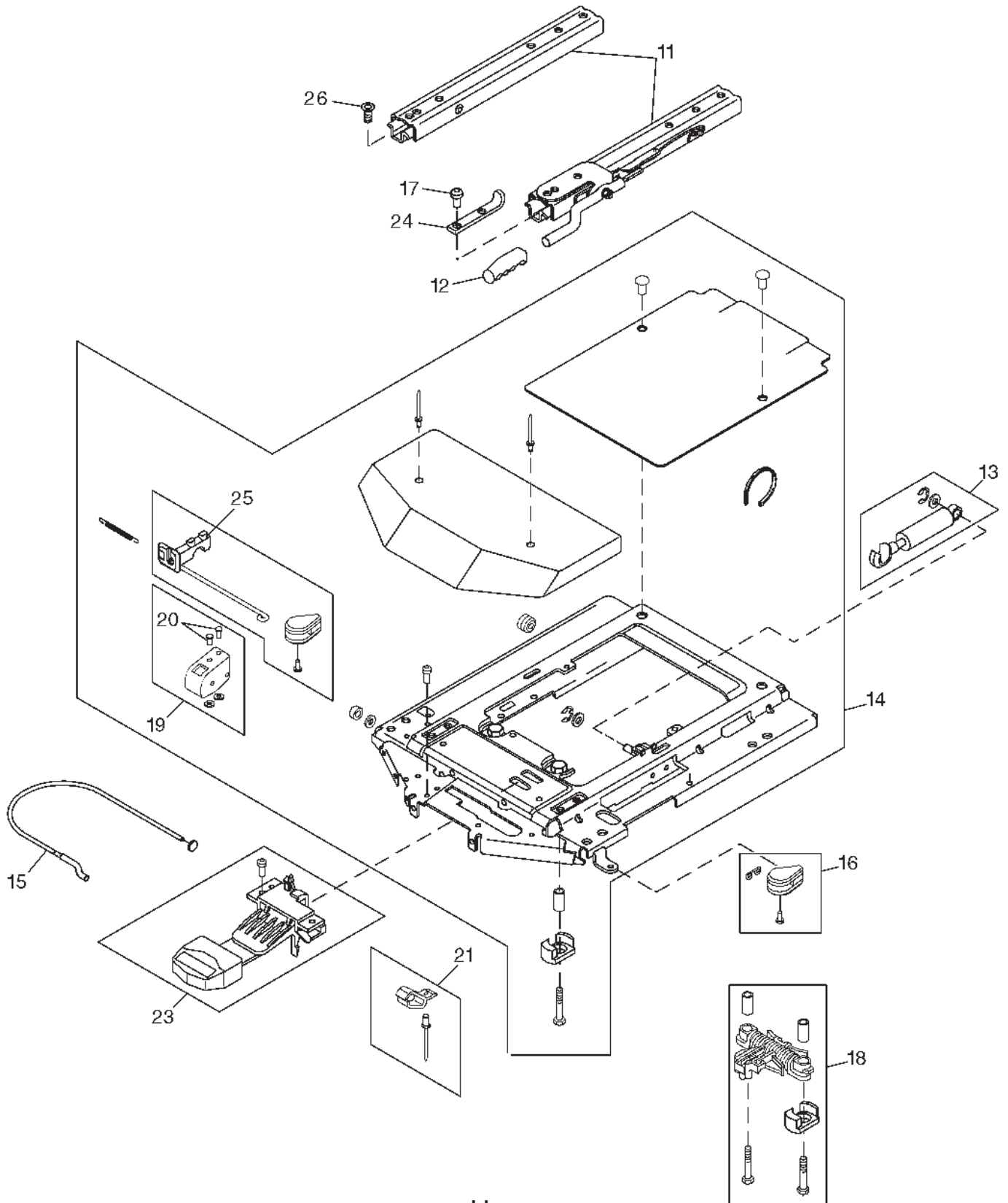
Item	Part No.	Qty	Description	Item	Part No.	Qty	Description
	<b>907452</b>		<b>Operators Seat Pivot and Adjust Assemblies</b>				
1	907453	1	. Lever	8	907458	1	. Grip
2	907454	1	. OPR Presence Switch Kit	9	907459	1	. Plate
3	907455	1	. Shield	10	907460	1	. Grip
4	907456	1	. Support	11	907440	4	. Rivet
5	907439	4	. Lock Nut	12	907461	1	. Grip
6	907457	1	. Bushing	13	907462	1	. Shield
7	907272	1	. Lock Nut	14	907463	1	. Lever
				15	907464	1	. Plate

Rev -



# Operators Seat Air Suspension

Page 1 of 2



- Upper -

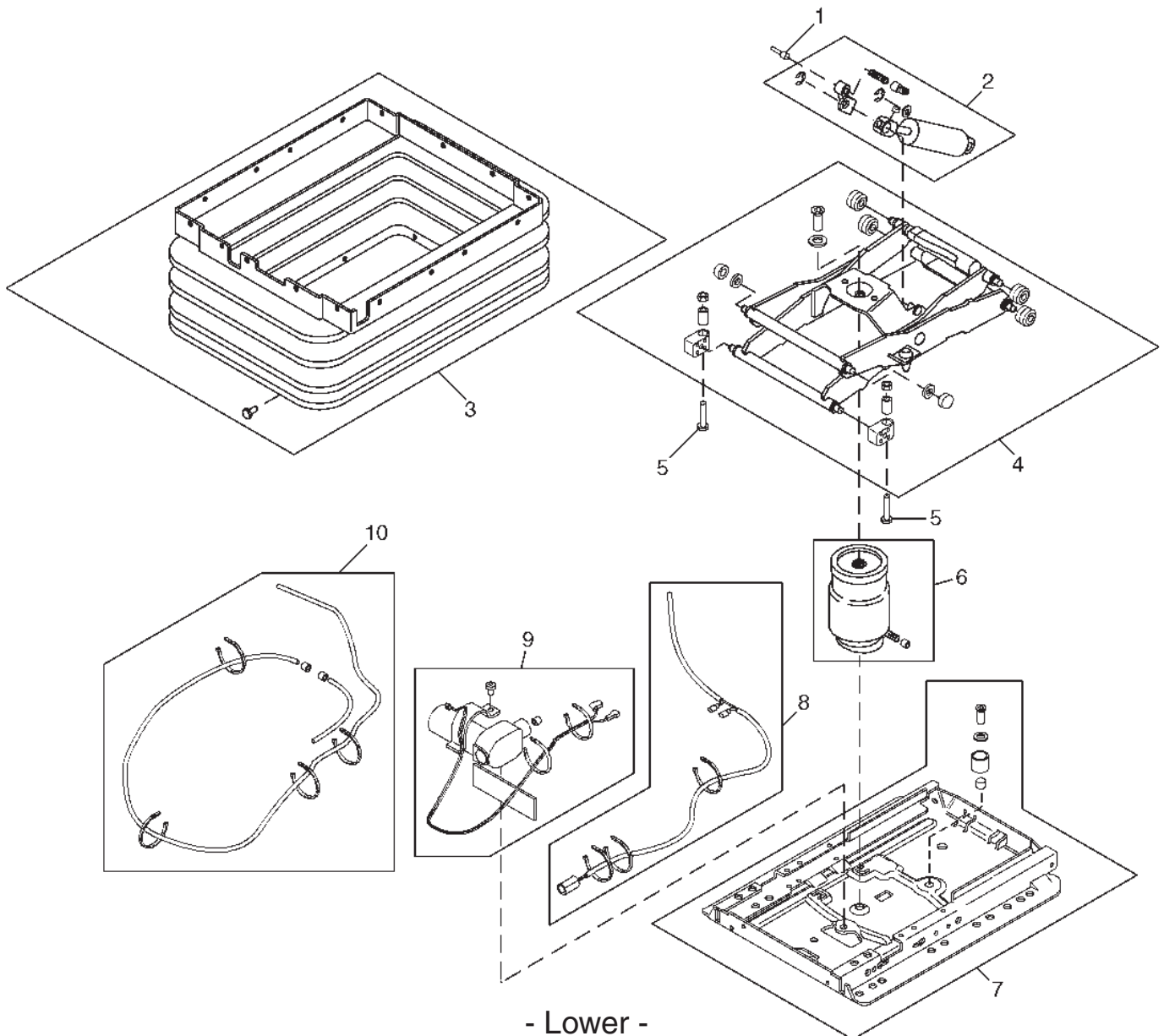
## Operators Seat Air Suspension

Page 2 of 2

Item	Part No.	Qty	Description	Item	Part No.	Qty	Description
	<b>907395</b>		<b>Operators Seat Air Suspension</b>				
	907591		. Operators Seat Air Suspension, Lower	14	907409	1	.. Console
1	907396	1	.. Push Pull Cable	15	907396	1	.. Push Pull Cable
2	907397	1	.. Absorber	16	907410	1	.. Grip
3	907398	1	.. Seal Kit	17	907411	1	.. Screw
4	907399	1	.. Support	18	907412	1	.. Seat Suspension
5	907400	2	.. Bolt	19	907413	1	.. Display Module
6	907401	1	.. Spring	20	907414	2	.. Rivet
7	907402	1	.. Seat Suspension	21	907415	2	.. Stop
8	907403	1	.. Seat Adjustment Cable Kit	23	907416	1	.. Lever
9	907404	1	.. Compressor	24	907417	1	.. Angle
10	907405	1	.. Hose	25	907418	1	.. Arrestor
	907592		. Operators Seat Air Suspension, Upper	26	907419	3	.. Screw
11	907406	1	.. Rail				
12	907407	1	.. Grip				
13	907408	1	.. Absorber				

\* See 907394 for Wear Parts Kit (Page 39)

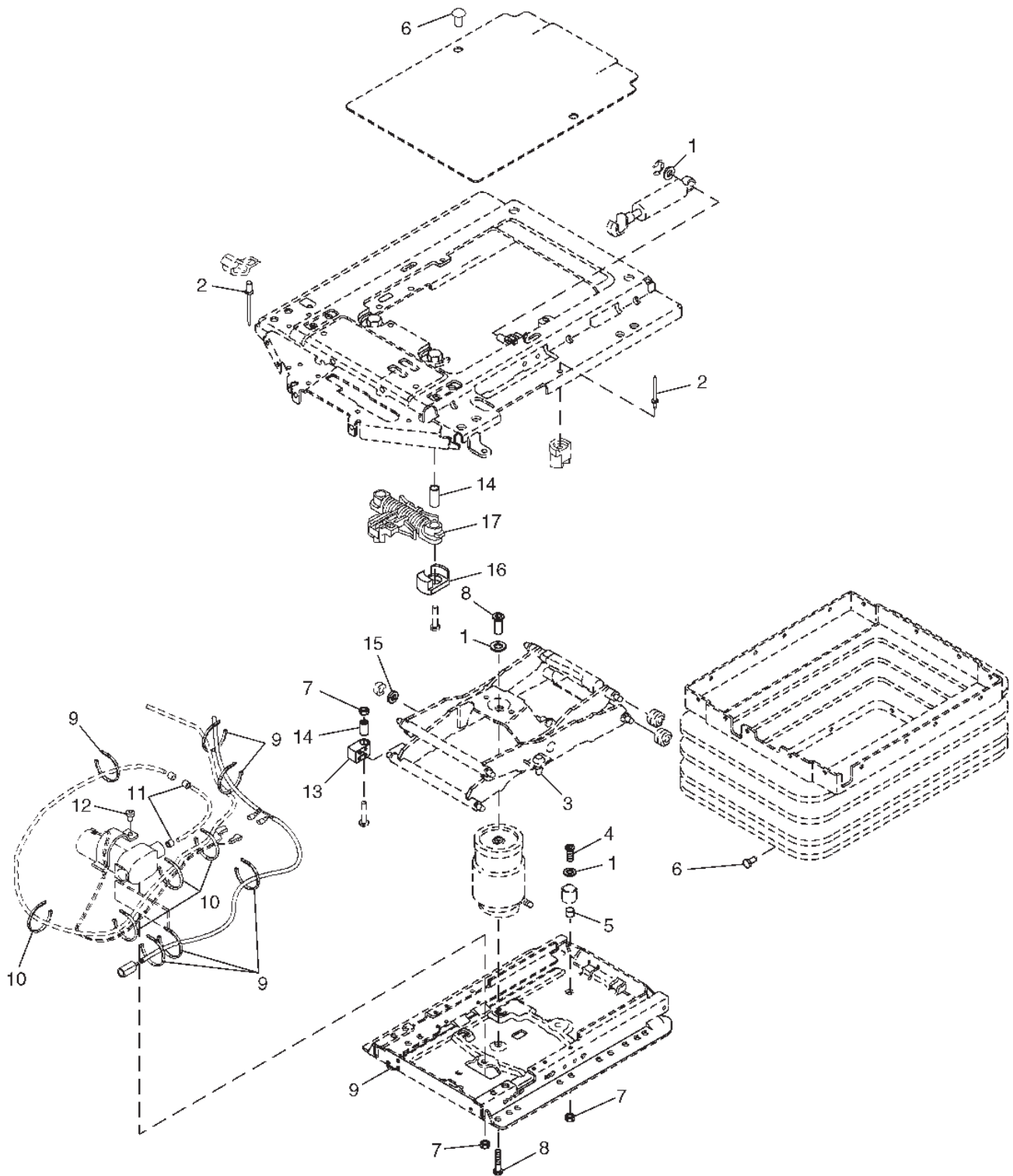
Rev -



- Lower -

# Operators Seat Air Suspension Wear Parts Kit

Page 1 of 2



# Operators Seat Air Suspension Wear Parts Kit

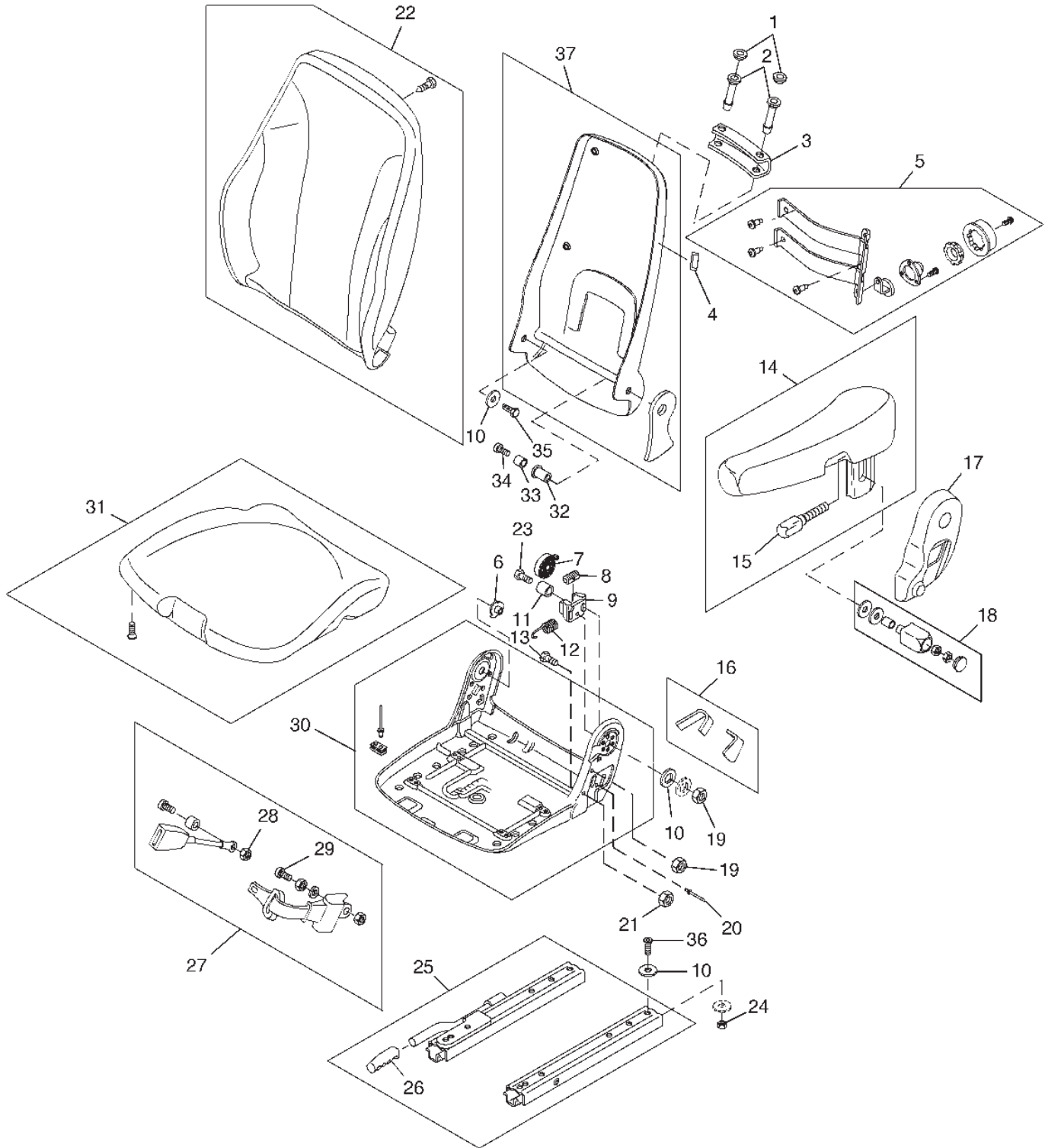
Page 2 of 2

Item	Part No.	Qty	Description	Item	Part No.	Qty	Description
	<b>907394</b>		<b>Operators Seat Air Suspension Wear Parts Kit</b>				
1	NSS	3	. Washer	9	NSS	7	. Tie Band
2	NSS	3	. Rivet	10	NSS	4	. Tie Band
3	NSS	2	. Stop	11	NSS	2	. Clamp
4	NSS	1	. Screw	12	NSS	1	. Screw
5	NSS	1	. Bushing	13	NSS	2	. Bearing
6	NSS	25	. Plug	14	NSS	4	. Bushing
7	NSS	4	. Lock Nut	15	NSS	2	. Felt
8	NSS	2	. Screw	16	NSS	1	. Bumper
				17	NSS	2	. Bushing

Rev -

# Operators Seat Cushion, Armrest, Mountings

Page 1 of 2





# Operators Seat Cushion, Armrest, Mountings

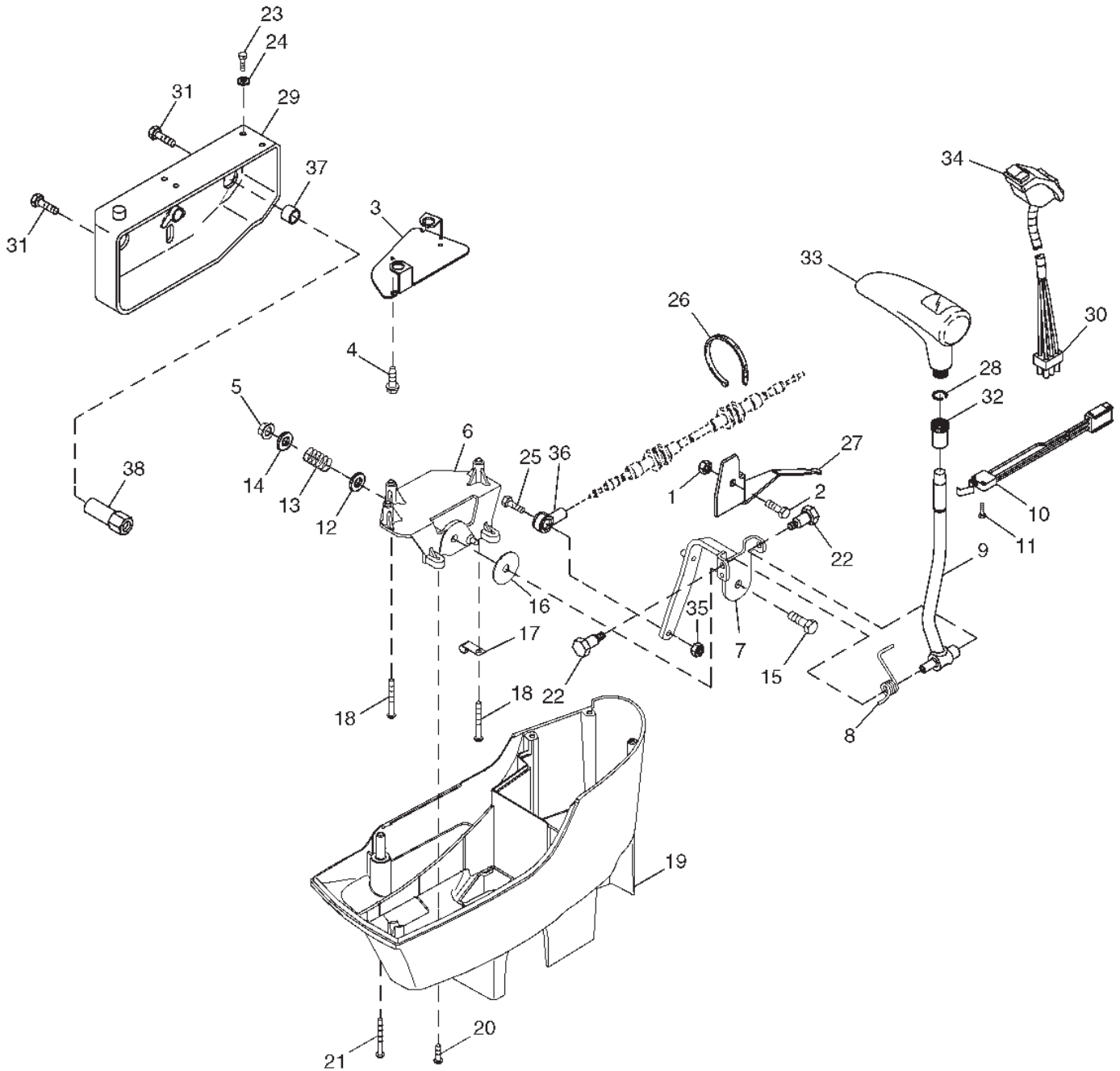
Page 2 of 2

Item	Part No.	Qty	Description	Item	Part No.	Qty	Description
	<b>907420</b>		<b>Operators Seat Cushion</b>				
			<b>Armrest, Mountings</b>				
1	907421	2	. Plug	19	907439	A/R	. Lock Nut
2	907422	2	. Structural Tubing	20	907440	A/R	. Rivet
3	907423	1	. Bracket	21	907441	3	. Lock Nut
4	907424	1	. Shield	22	907442	1	. Cushion
5	907425	1	. Support	23	907443	1	. Screw
6	907426	1	. Bearing	24	907439	5	. Lock Nut
7	907427	1	. Spring	25	907406	1	. Rail
8	907428	1	. Detent	26	907407	1	. Grip
9	907429	1	. Bearing	27	907444	1	. Seat Belt
10	907430	A/R	. Washer	28	907441	A/R	. Lock Nut
11	907431	1	. Bushing	29	907433	A/R	. Screw
12	907432	1	. Spring	30	907445	1	. Seat
13	907433	2	. Screw	31	907446	1	. Cushion
14	907434	1	. Armrest	32	907447	1	. Bushing
15	907435	1	. Spindle	33	907448	1	. Bushing
16	907436	1	. Lever	34	907449	1	. Screw
17	907437	1	. Shield	35	907450	1	. Screw
18	907438	1	. Armrest Kit	36	907419	1	. Screw
				37	907451	1	. Seat Back

Rev -

# Armrest Control Panel, Drive Lever & Cable

Page 1 of 2



# Armrest Control Panel, Drive Lever & Cable

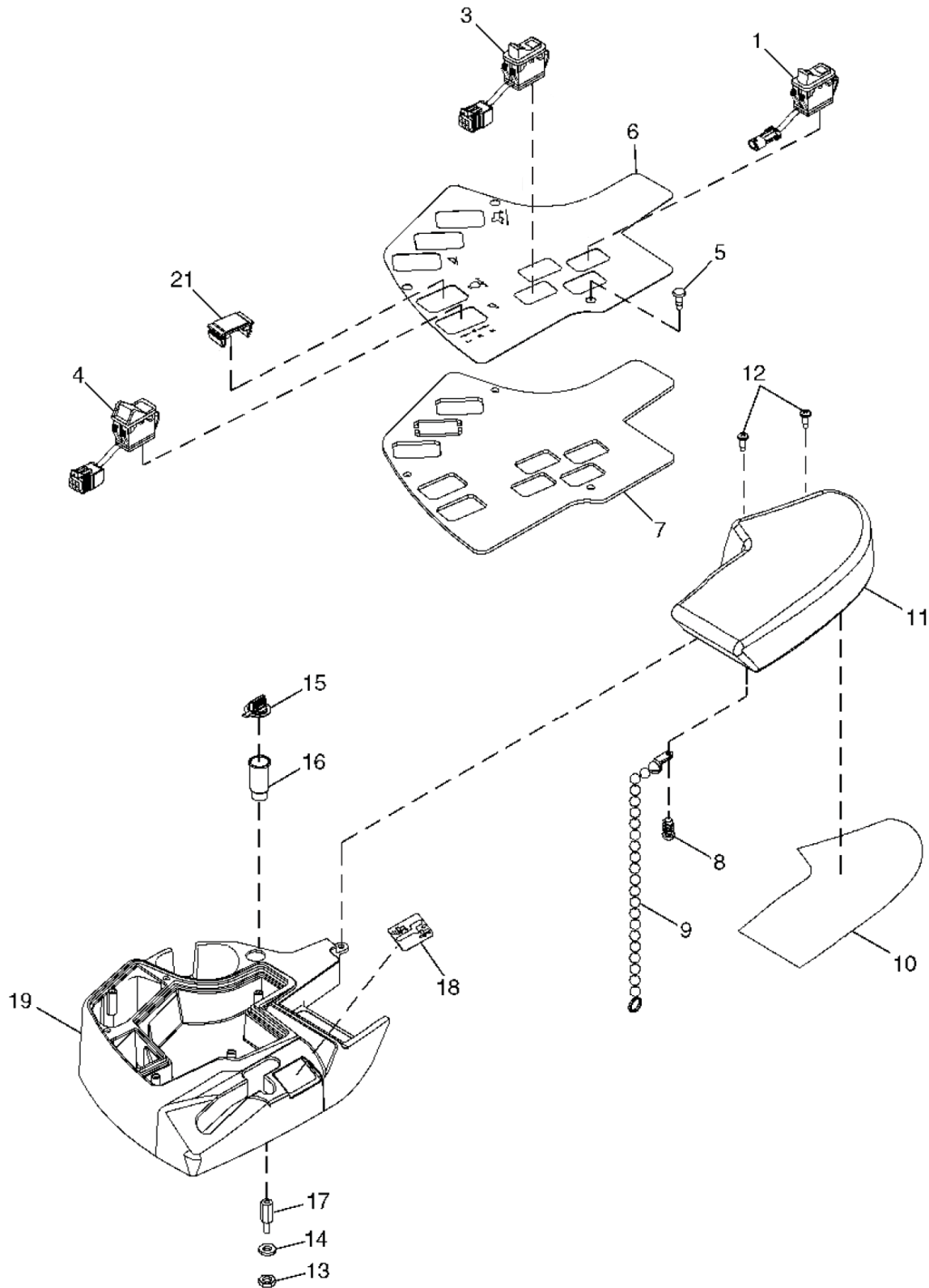
Page 2 of 2

Item	Part No.	Qty	Description	Item	Part No.	Qty	Description
	<b>907186</b>		<b>Armrest Control Panel</b>				
1	907187	1	. Nut	21	907204	1	. Screw
2	907188	1	. Screw	22	907207	2	. Bolt
3	907189	1	. Cover	23	907208	4	. Cap Screw
4	907190	2	. Screw	24	907209	4	. Washer
5	907517	1	. Lock Nut	25	907210	1	. Screw
6	907192	1	. Bracket	26	907211	1	. Tie Band
7	907193	1	. Arm	27	907212	1	. Support
8	907194	1	. Torsion Spring	28	907213	1	. Snap Ring
9	907195	1	. Lever	29	907214	1	. Housing
10	907196	1	. Rotary Switch	30	907215	1	. Electrical Connector Assy
11	907197	2	. Screw	31	907216	2	. Cap Screw
12	907198	1	. Washer	32	907217	1	. Lock
13	907199	1	. Compression Spring	33	907218	1	. Knob
14	907200	1	. Washer	34	907219	1	. Switch
15	907201	1	. Screw		907220	1	. Label
16	907202	1	. Lever Kit	35	907221	1	. Lock Nut
17	907203	1	. Clip	36	907222	1	. Link End
18	907204	3	. Screw	37	907223	2	. Bushing
19	907205	1	. Housing	38	907224	1	. Pin Fastener
20	907206	2	. Screw				

Rev -

# Armrest Control Panel Assembly

Page 1 of 2



# Armrest Control Panel Assembly

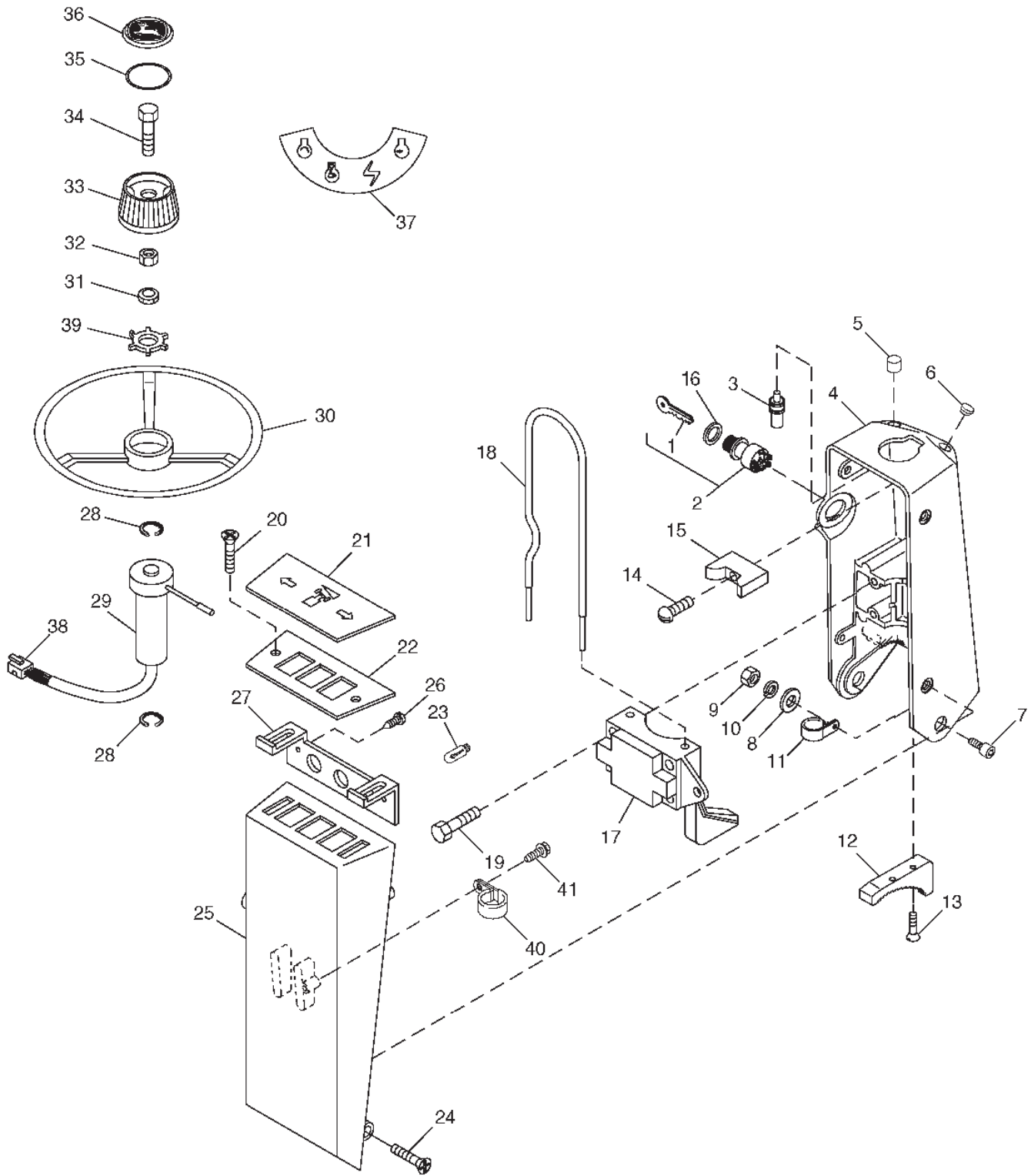
Page 2 of 2

Item	Part No.	Qty	Description	Item	Part No.	Qty	Description
	907759		Armrest Control Panel Assembly				
1	908028	1	. Toggle/Rocker Switch, Ground Speed	12	NSS	2	. Screw
3	908029	1	. Toggle/Rocker Switch, Throttle	13	NSS	1	. Nut
4	908030	1	. Toggle/Rocker Switch, Baler Engage	14	NSS	1	. Lock Washer
5	NSS	3	. Screw	15	908036	1	. Plug
6	908031	1	. Label	16	908037	1	. Housing, 12V Acc.
7	908032	1	. Cover	17	908038	1	. Stud
8	NSS	2	. Screw	18	908039	1	. Label
9	908033	1	. Link Chain	19	908040	1	. Cover
10	908034	1	. Label	21	908041	4	. Plug
11	908035	1	. Cushion				

Rev -

# Steering Column (Upper)

Page 1 of 2



# Steering Column (Upper)

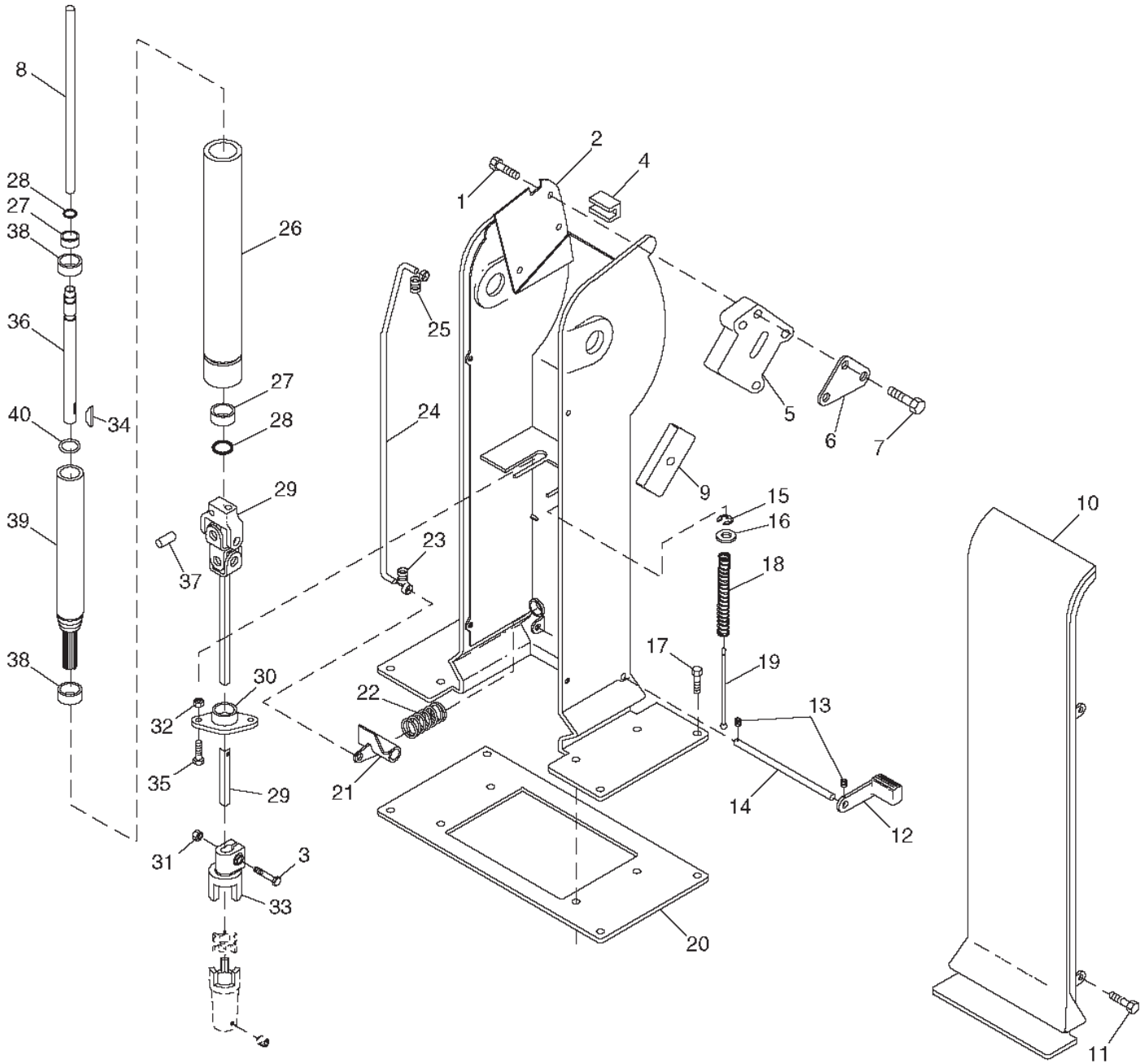
Page 2 of 2

Item	Part No.	Qty	Description	Item	Part No.	Qty	Description
	<b>907528</b>		<b>Steering Column (Upper)</b>				
1	907529	1	. Key	22	907544	1	. Panel
2	907530	1	. Switch, Ignition	23	907545	1	. Bulb
3	907531	1	. Switch, Horn	24	907295	4	. Screw
4	907532	1	. Housing	25	907546	1	. Cover
5	907533	1	. Cap	26	907547	2	. Screw
6	907335	1	. Plug	27	907548	1	. Retainer
7	907534	2	. Screw	28	907549	2	. Snap Ring
8	907378	2	. Washer	29	907550	1	. Turn Signal Controller
9	907535	2	. Lock Nut	30	907551	1	. Steering Wheel
10	907536	2	. Lock Washer	31	907552	1	. Nut
11	907109	1	. Clip	32	907187	1	. Nut
12	907537	1	. Gear	33	907553	1	. Knob
13	907489	2	. Screw	34	907554	1	. Cap Screw
14	907538	1	. Screw	35	907555	1	. O-Ring
15	907539	1	. Guide	36	907556	1	. Cover
16	907540	1	. Nut	37	907557	1	. Label
17	907541	1	. Clamp	38	907558	1	. Electrical Connector Assy
18	907542	1	. Guard	39	907559	1	. Lock Washer
19	907503	4	. Screw	40	907316	1	. Clip
20	907300	2	. Screw	41	907560	1	. Screw
21	907543	1	. Sign				

Rev -

# Steering Column (Lower)

Page 1 of 2





# Steering Column (Lower)

Page 2 of 2

Item	Part No.	Qty	Description	Item	Part No.	Qty	Description
	<b>907488</b>		<b>Steering Column (Lower)</b>				
1	907489	3	. Screw	21	907507	1	. Arm
2	907490	1	. Housing	22	907508	1	. Compression Spring
3	907491	1	. Screw	23	907509	1	. Clip
4	907492	1	. Isolator	24	907510	1	. Rod
5	907493	1	. Housing	25	907511	1	. Clip
6	907494	1	. Crank	26	907512	1	. Tube
7	907495	2	. Bolt	27	907513	2	. Ball Bearing
8	907496	1	. Pin	28	907514	2	. Snap Ring
9	907497	1	. Pawl	29	907515	1	. Universal Joint With Shaft
10	907498	1	. Cover	30	907516	1	. Bearing
11	907295	4	. Screw	31	907517	1	. Lock Nut
12	907499	1	. Pedal	32	907272	2	. Lock Nut
13	907500	2	. Spring Pin	33	907519	1	. Coupling
14	907501	1	. Pin Fastener	34	907520	1	. Shaft Key
15	907502	1	. Snap Ring	35	907233	2	. Screw
16	907209	1	. Washer	36	907522	1	. Steering Shaft
17	907503	4	. Screw	37	907523	1	. Spring Pin
18	907504	1	. Compression Spring	38	907524	2	. Washer
19	907505	1	. Rod	39	907525	1	. Steering Shaft
20	907506	1	. Seal	40	907526	1	. O-Ring

Rev -

---

# Steering Installation

Page 1 of 1

Item	Part No.	Qty	Description	Item	Part No.	Qty	Description
	<b>907786</b>		<b>Steering Installation</b>				
1	907780	1	. Steering Cable	4	908043	1	. Linkage, Steering, Forward Pump
2	907781	2	. Steering Cable	5	908044	1	. Linkage, Steering, Rear Pump
3	907784	1	. Steering Assembly	6	NSS	2	. Capscrew

\* See Seperate Coverage Page 53

Rev-

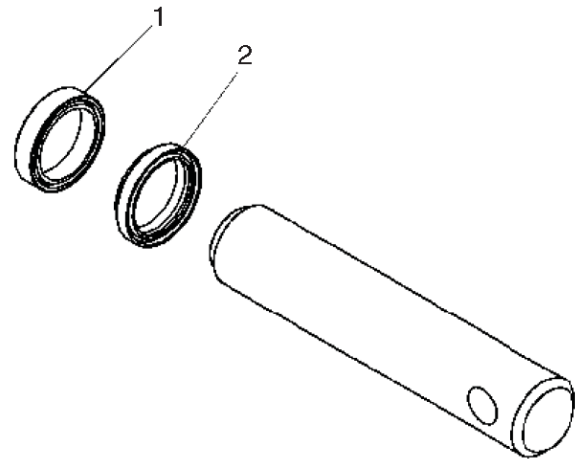
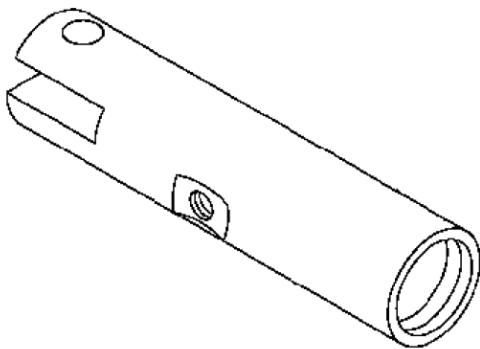
No illustration available at time of publication.

# Hydraulic Cylinder, Steering

Page 1 of 1

Item	Part No.	Qty	Description	Item	Part No.	Qty	Description
	<b>907782</b>		<b>Hydraulic Cylinder, Steering</b>				
1	908045	1	. Seal				
2	908046	1	. Seal				

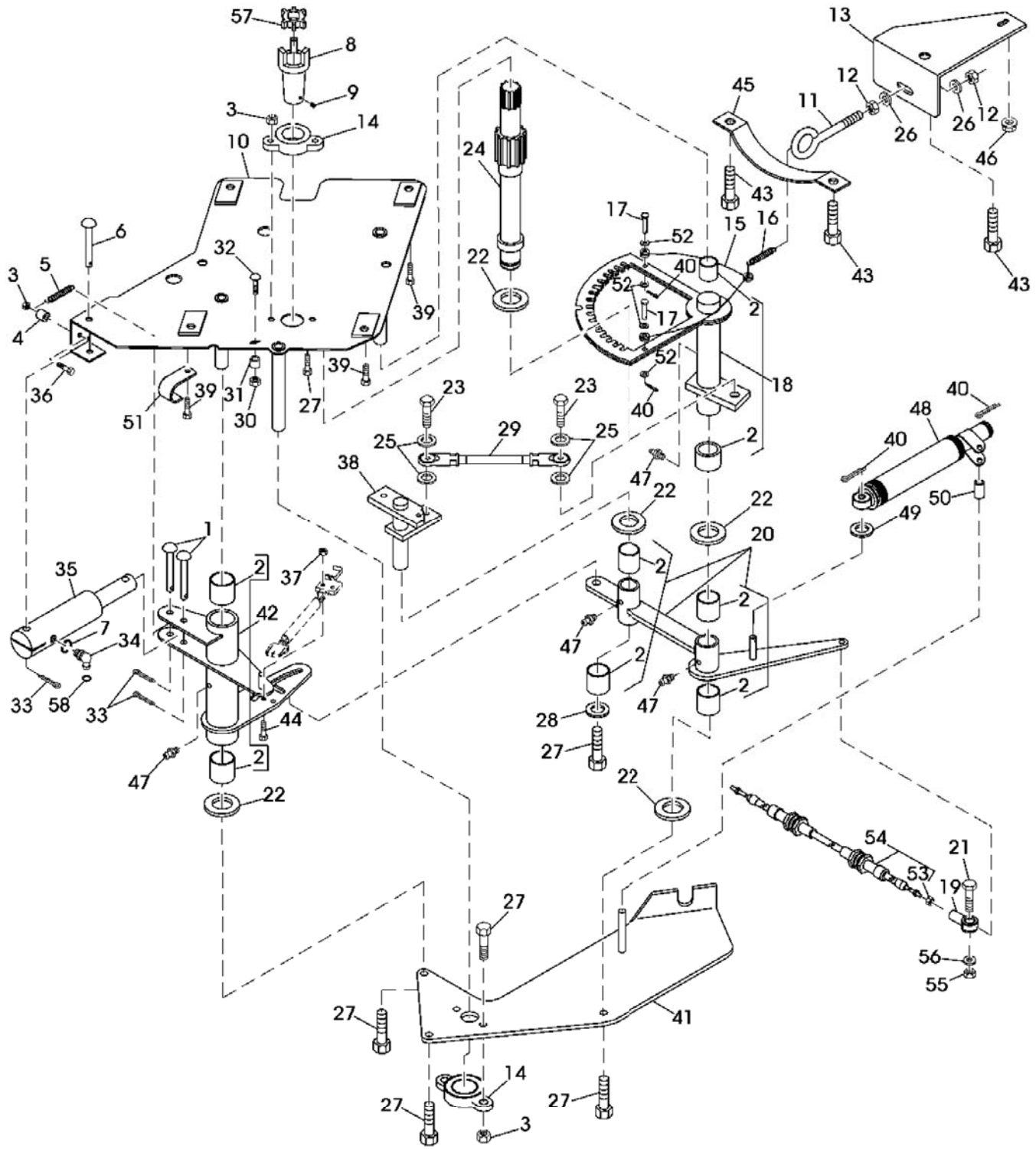
Rev-



# Steering Assembly

Page 1 of 2

Direction of Travel:



# Steering Assembly

Page 2 of 2

Item	Part No.	Qty	Description	Item	Part No.	Qty	Description
	<b>907784</b>		<b>Steering Assy</b>				
1	908047	2	. Pin Fastener	30	NSS	1	. Flange Nut
2	908048	4	. Bushing	31	908066	1	. Bushing
3	NSS	5	. Flange Nut	32	NSS	1	. Bolt
4	908049	1	. Bushing	33	NSS	3	. Cotter Pin
5	908050	1	. Extension Spring	34	908067	1	. Elbow Fitting
6	908051	1	. Pin Fastener	35	* 907782	1	. Hydraulic Cylinder
7	908052	1	. O-Ring	36	NSS	1	. Bolt
8	908053	1	. Splined Coupling	37	NSS	2	. Nut
9	NSS	2	. Set Screw	38	908068	1	. Pivot
10	908054	1	. Bracket	39	NSS	4	. Screw
11	908055	1	. Eyebolt	40	NSS	4	. Cotter Pin
12	NSS	2	. Nut	41	908069	1	. Plate
13	908056	1	. Angle	42	908070	1	. Bracket
14	908057	2	. Bearing	43	NSS	3	. Screw
15	908058	1	. Cable	44	NSS	2	. Screw
16	908059	1	. Extension Spring	45	908071	1	. Isolator
17	908060	2	. Pin	46	NSS	1	. Flange Nut
18	908061	1	. Gear	47	908072	4	. Lubrication Fitting
19	907222	1	. Link End	48	908073	1	. Absorber
20	908063	1	. Arm	49	908074	1	. Bushing
21	NSS	1	. Screw	50	908075	1	. Bushing
22	NSS	5	. Washer	51	907316	1	. Clip
23	NSS	2	. Cap Screw	52	NSS	4	. Washer
24	908064	1	. Shaft	53	NSS	2	. Nut
25	NSS	4	. Washer	54	908077	1	. Cable, To Cab
26	NSS	2	. Washer	55	NSS	1	. Lock Nut
27	NSS	8	. Screw	56	NSS	2	. Washer
28	NSS	1	. Washer	57	908078	1	. Isolator
29	908065	1	. Tie Rod Assembly	58	908079	1	. O-Ring

\* See Seperate Coverage Page 51

Rev -

---

This page is intentionally left blank.

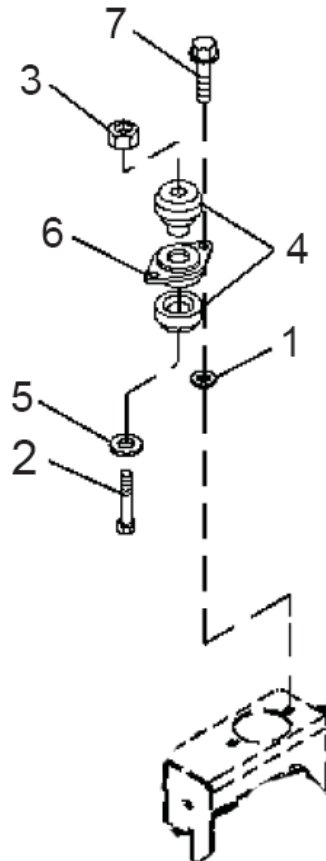
# Cab Supports & Isolators

Page 1 of 1

Item	Part No.	Qty	Description	Item	Part No.	Qty	Description
	<b>907352</b>		<b>Cab Supports and Isolators</b>				
1	907356	8	. Nut	5	907363	4	. Washer
2	907358	4	. Screw	6	907364	4	. Support
3	907360	4	. Lock Nut	7	907376	8	. Screw
4	907361	4	. Isolator				

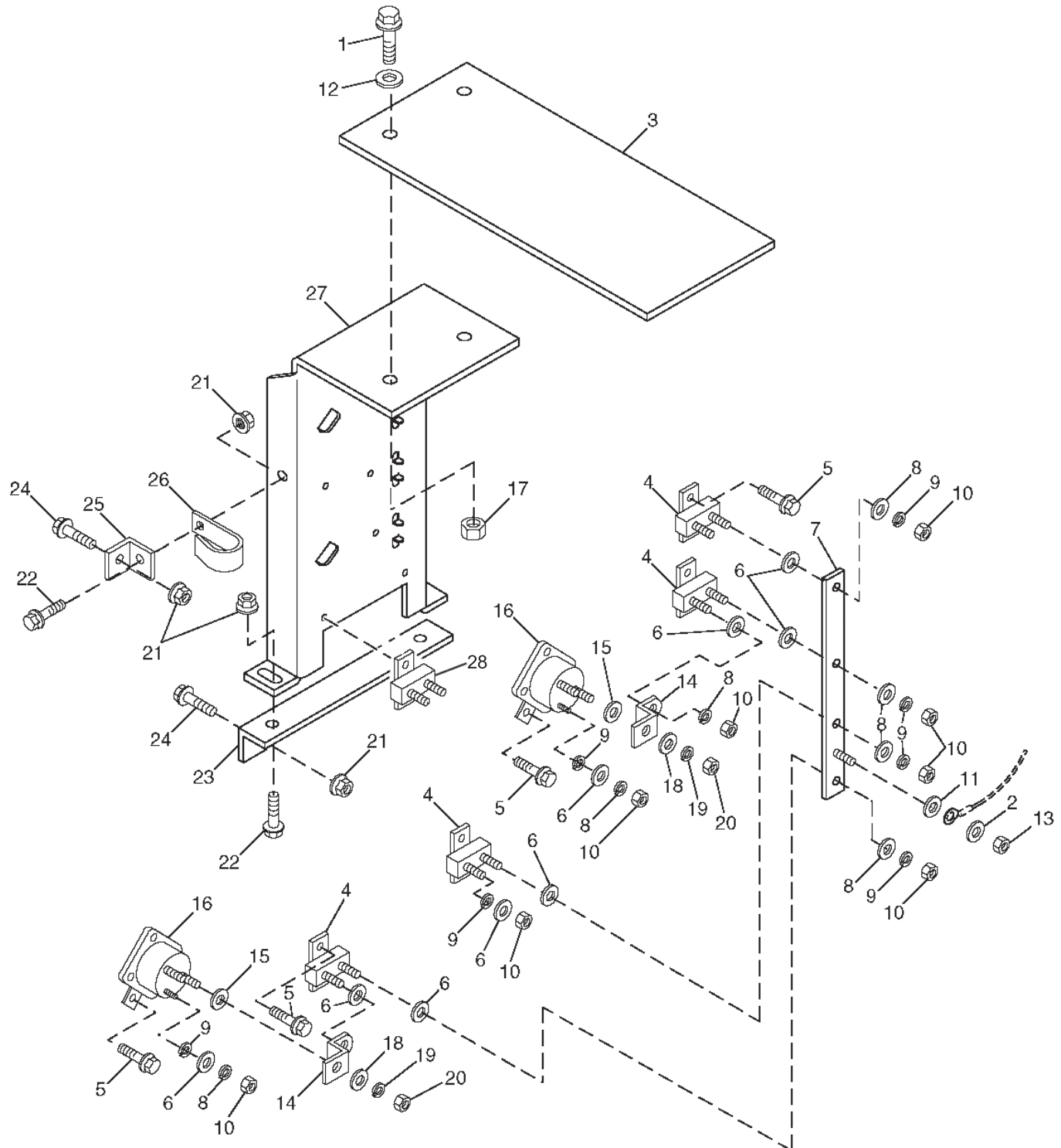
Rev -

TYPICAL 4 PLACES



# Circuit Breaker Panel Assembly, Engine Compartment

Page 1 of 2





# Circuit Breaker Panel Assembly, Engine Compartment

Page 2 of 2

Item	Part No.	Qty	Description	Item	Part No.	Qty	Description
	907689		Circuit Breakers, Engine Compartment				
1	NSS	2	. Screw	15	NSS	4	. Lock Washer
2	NSS	1	. Washer	16	908084	2	. Relay
3	NSS	1	. Flap	17	NSS	2	. Nut
4	908081	4	. Circuit Breaker, 50A	18	NSS	4	. Washer
5	NSS	4	. Screw	19	NSS	4	. Lock Washer
6	NSS	10	. Washer	20	NSS	4	. Nut
7	908082	1	. Strap	21	NSS	6	. Flange Nut
8	NSS	10	. Washer	22	NSS	3	. Bolt
9	NSS	10	. Lock Washer	23	908085	1	. Angle
10	NSS	10	. Nut	24	NSS	3	. Bolt
11	NSS	1	. Lock Washer	25	908086	1	. Angle
12	NSS	2	. Washer	26	908087	1	. Clip
13	NSS	1	. Flange Nut	27	908088	1	. Panel
14	908083	2	. Strap	28	908165	1	. Circuit Breaker, 30A

\* Located beneath the left rear of the cab

Rev -

---

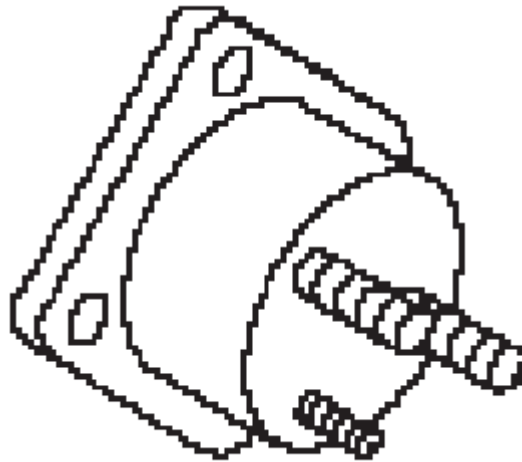
# Relay, Starter

Page 1 of 1

Item	Part No.	Qty	Description	Item	Part No.	Qty	Description
	907752		Relay, Starter				

Rev -

Note: Mounted to frame, below rear of cab.

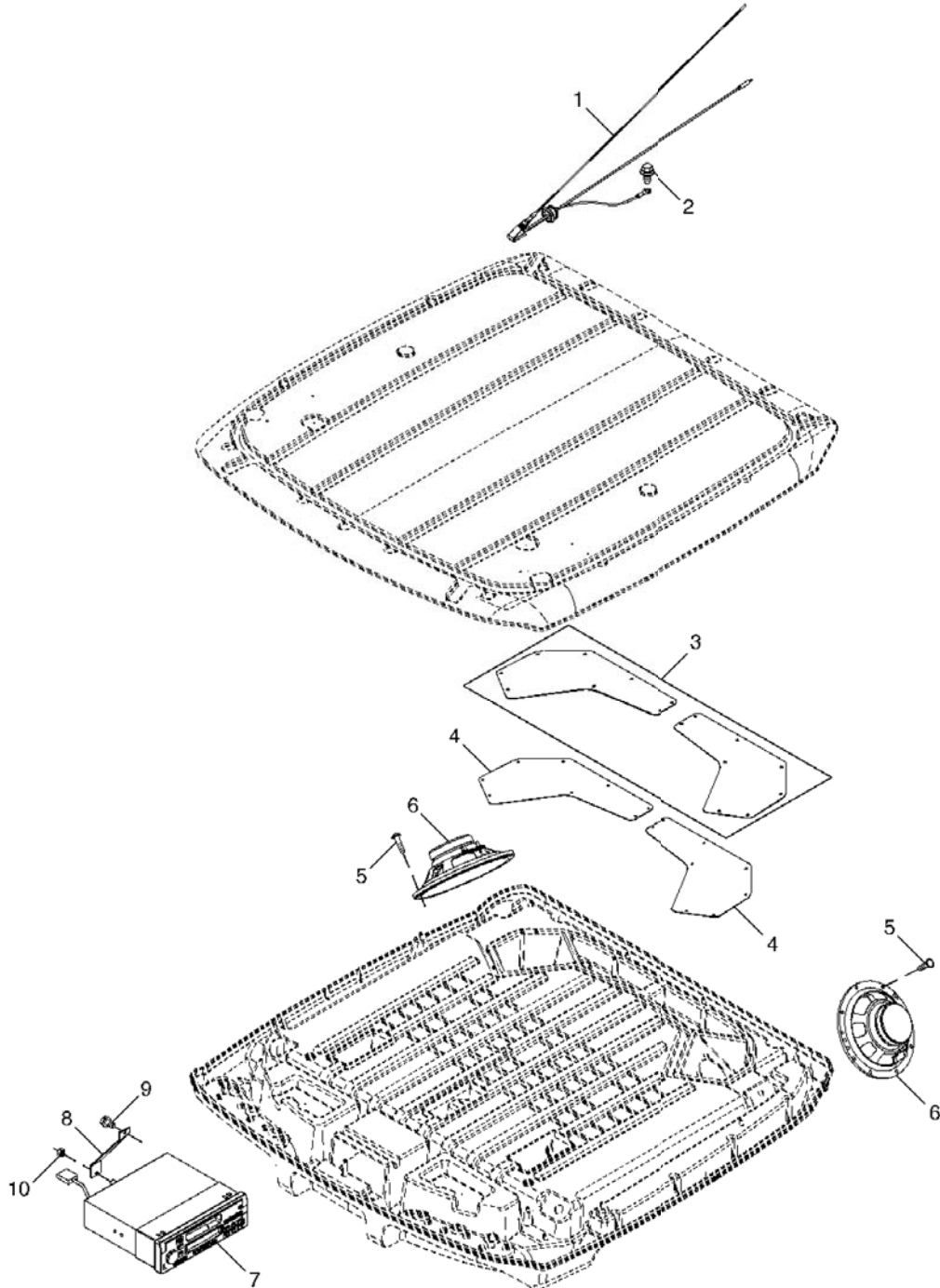


# Radio Installation

Page 1 of 1

Item	Part No.	Qty	Description	Item	Part No.	Qty	Description
	<b>907764</b>		<b>Radio Installation</b>				
1	908084	1	. Antenna	6	908091	2	. Speaker
2	NSS	1	. Screw	7	908092	1	. Radio
3	908089	1	. Seal	8	908093	1	. Bracket
4	908090	2	. Cover	9	NSS	7	. Screw
5	NSS	8	. Screw	10	NSS	1	. Flange Nut

Rev -

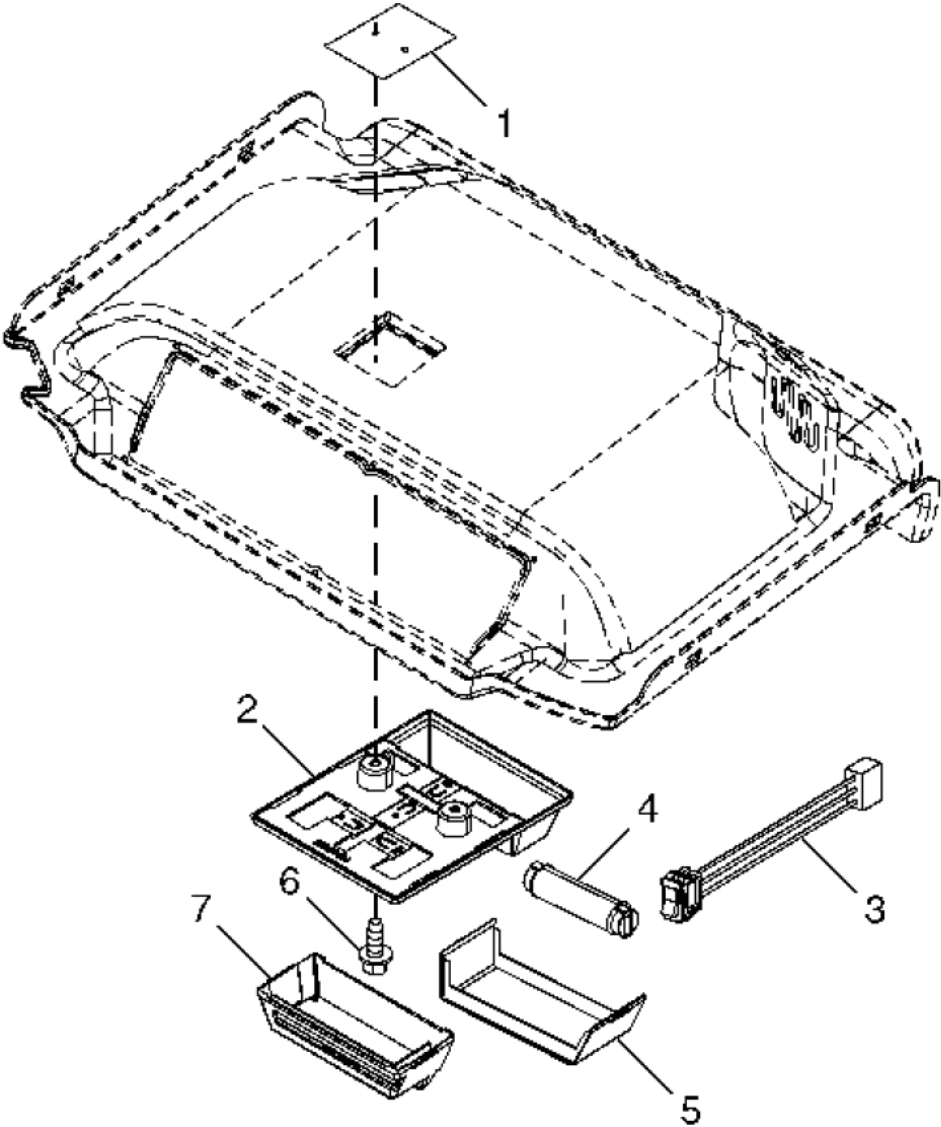


# Dome Light Installation

Page 1 of 1

Item	Part No.	Qty	Description	Item	Part No.	Qty	Description
<b>907765 Dome Light Installation</b>							
1	908094	1	. Isolator	5	908098	1	. Lens
2	908095	1	. Base	6	NSS	2	. Screw
3	908096	1	. Switch	7	908099	1	. Cover
4	908097	2	. Bulb				

Rev -

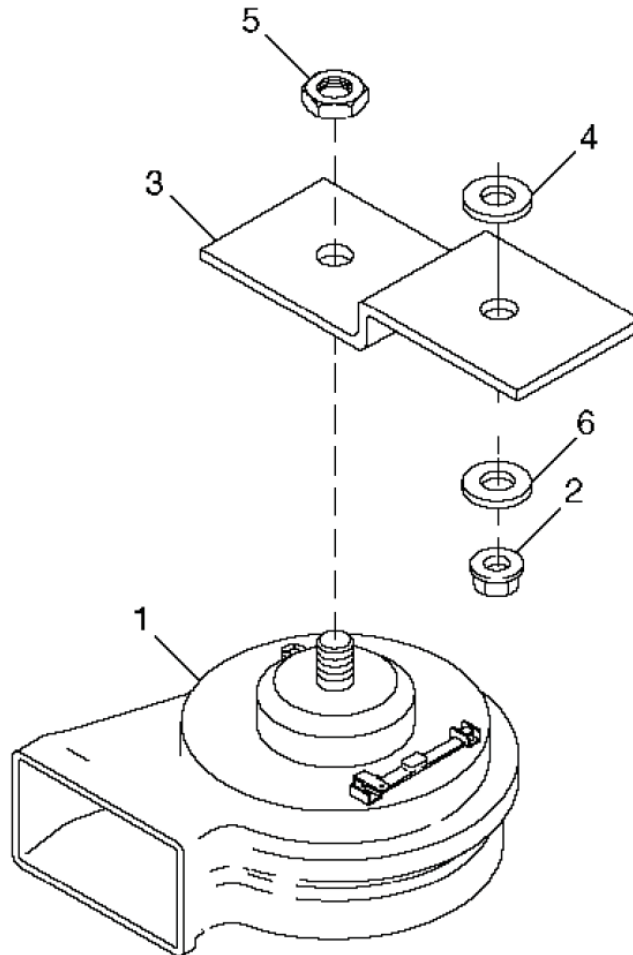


# Horn Installation

Page 1 of 1

Item	Part No.	Qty	Description	Item	Part No.	Qty	Description
	<b>907763</b>		<b>Horn Installation</b>				
1	908100	1	.Horn	4	NSS	1	.Washer
2	NSS	1	.Flange Nut	5	NSS	1	.Flange Nut
3	908101	1	.Bracket	6	NSS	1	.Washer

Rev -

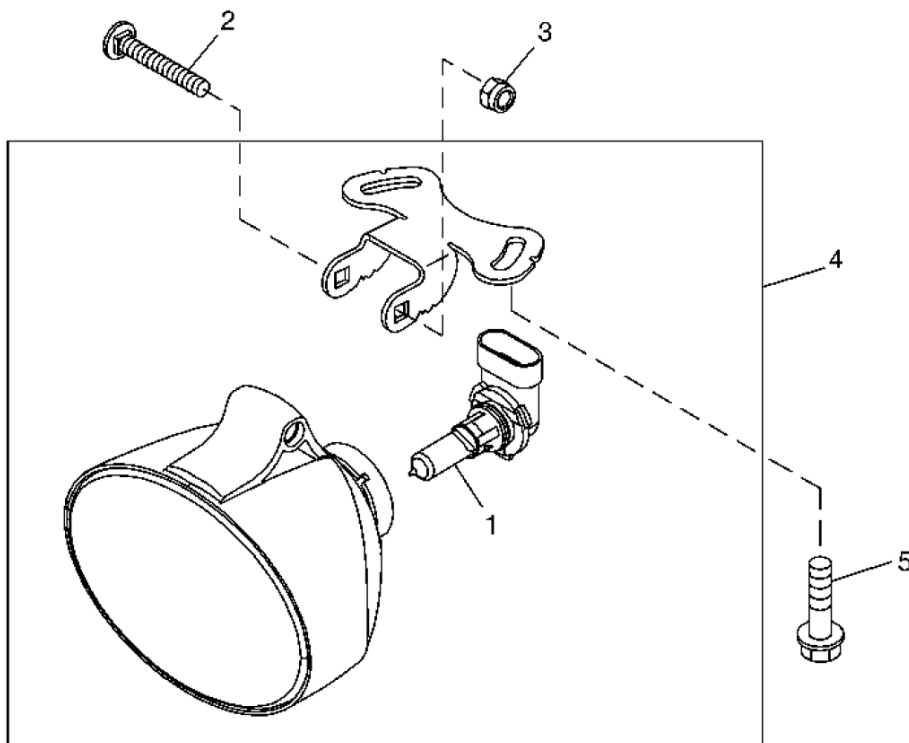


# Cab Roof Light Installation

Page 1 of 1

Item	Part No.	Qty	Description	Item	Part No.	Qty	Description
	<b>907771</b>		<b>Cab Roof Light Installation</b>				
1	908102	6	. Bulb	4	908103	4	. Floodlamp
2	NSS	6	. Bolt	4	908104	2	. Floodlamp, Trapezoidal
3	NSS	6	. Lock Nut	5	NSS	6	. Screw

Rev -

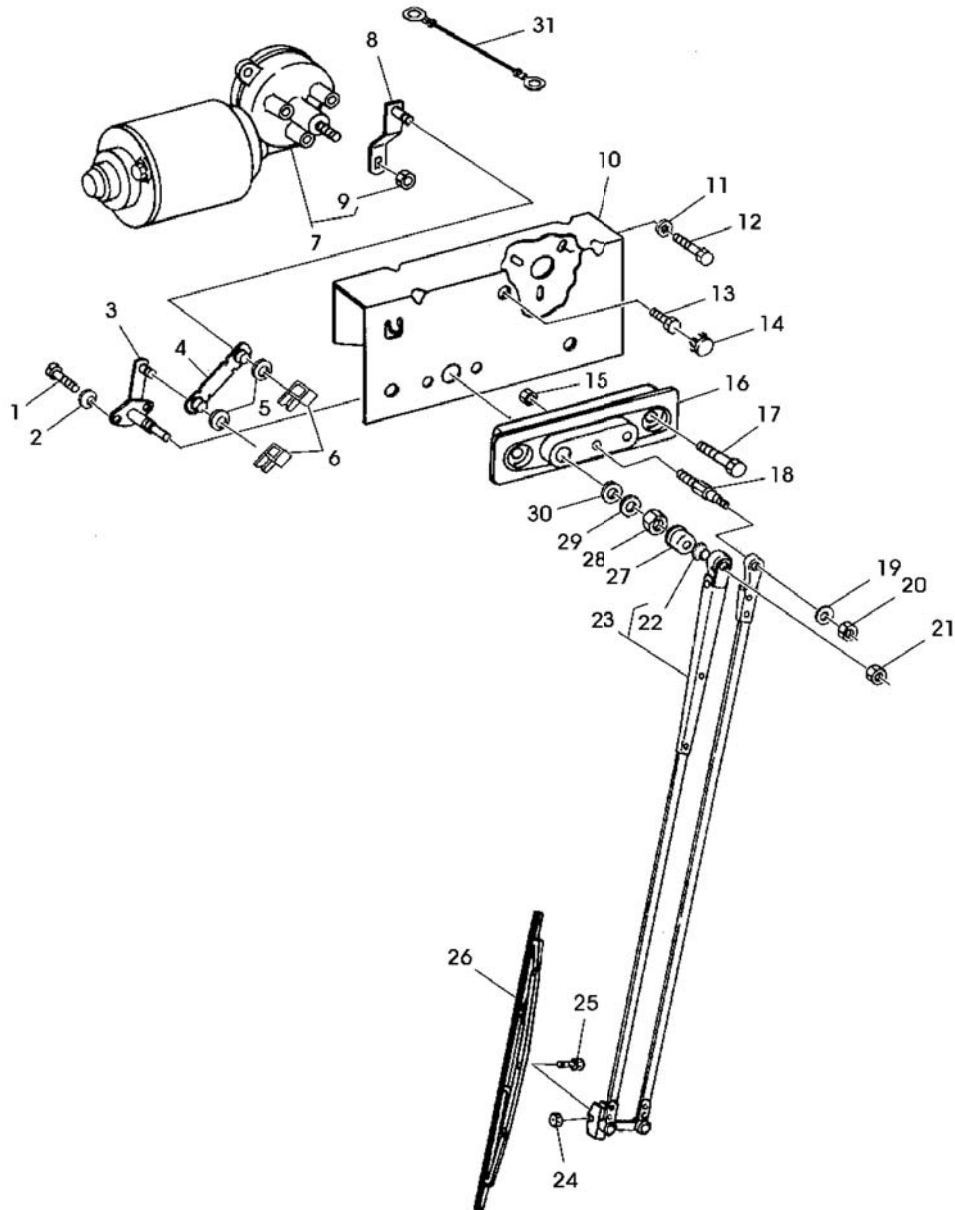


## Windshield Wiper Installation

Page 1 of 1

Item	Part No.	Qty	Description	Item	Part No.	Qty	Description
<b>908191 Windshield Wiper Installation</b>							
1	NSS	2	. Screw	17	NSS	2	. Screw
2	NSS	2	. Washer	18	NSS	1	. Stud
3	NSS	1	. Shaft	19	NSS	1	. Shim
4	NSS	1	. Link	20	NSS	1	. Lock Nut
5	NSS	2	. Shim	21	NSS	1	. Lock Nut
6	NSS	2	. Clip	22	NSS	1	. Weld Nut
7	908192	1	. Wiper Motor	23	908196	1	. Wiper Arm
8	NSS	1	. Arm	24	908197	1	. Lock Nut
9	NSS	1	. Lock Nut	25	908198	1	. Screw
10	908193	1	. Bracket	26	908199	1	. Wiper Blade
11	NSS	3	. Lock Washer	27	NSS	1	. Cap
12	NSS	3	. Cap Screw	28	NSS	1	. Nut
13	NSS	1	. Screw	29	NSS	1	. Washer
14	908194	1	. Plug	30	NSS	1	. Washer
15	NSS	1	. Flange Nut	31	908200	1	. Wiring Harness
16	908195	1	. Support				

Rev -

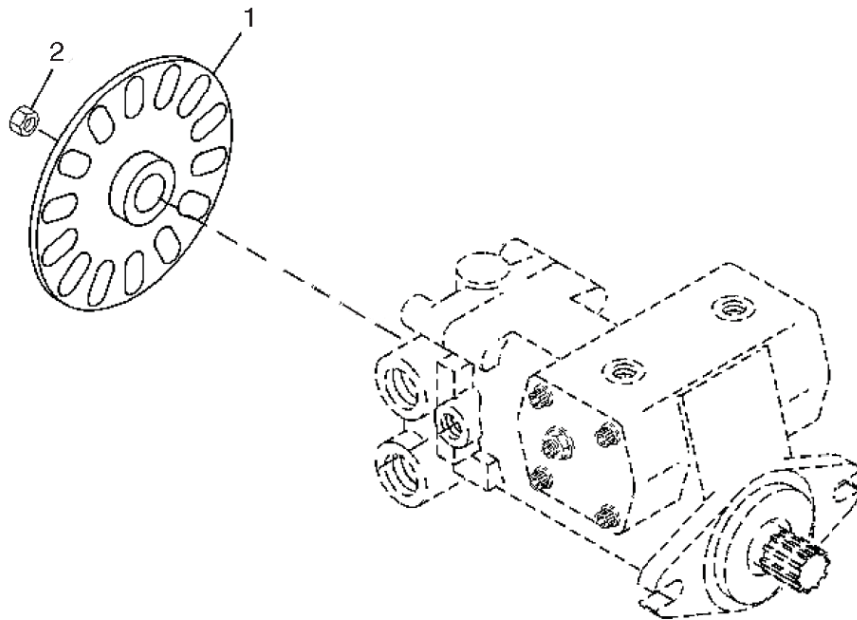
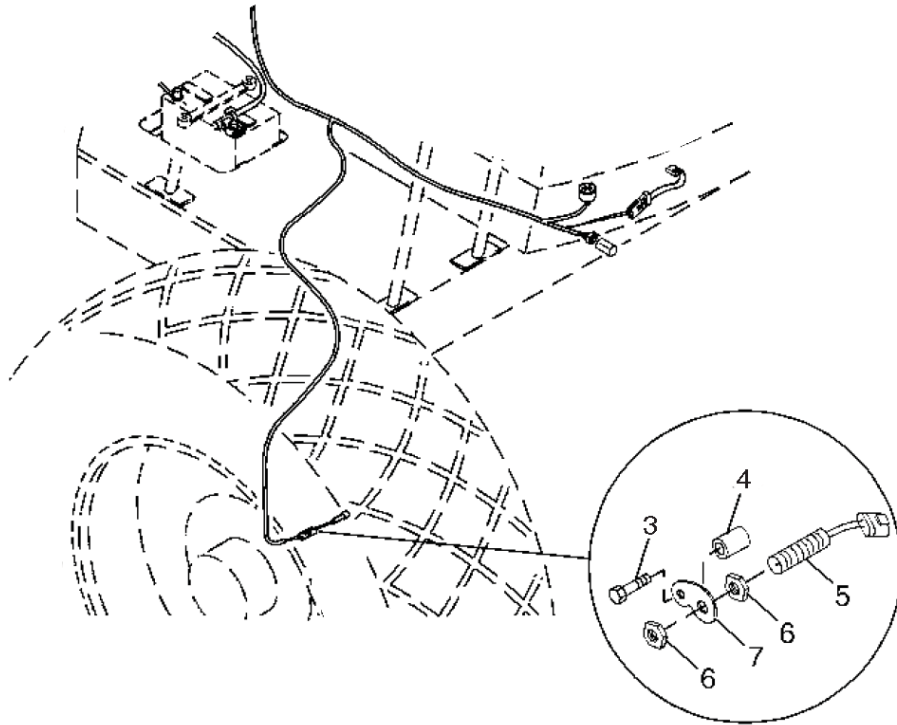


# Ground Speed Sensor Installation

Page 1 of 1

Item	Part No.	Qty	Description	Item	Part No.	Qty	Description
<b>908020 Ground Speed Sensor Installation</b>							
1	908022	1	. Disk	5	908025	1	. Sensor
2	908023	1	. Lock Nut	6	908026	2	. Nut
3	NSS	1	. Cap Screw	7	908027	1	. Strap
4	908024	1	. Spacer				

Rev -



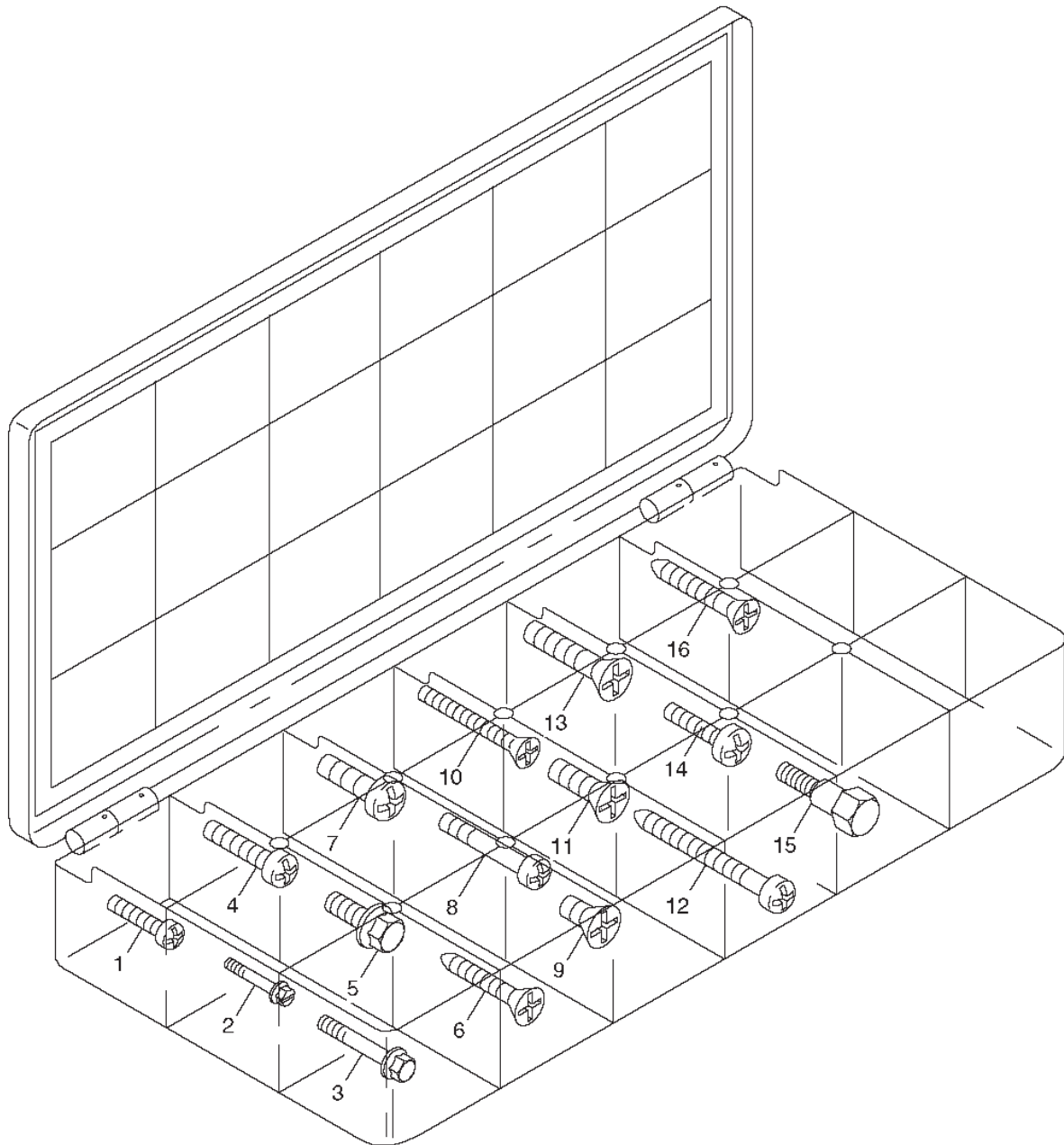


# Cab Hardware Kit

Page 1 of 1

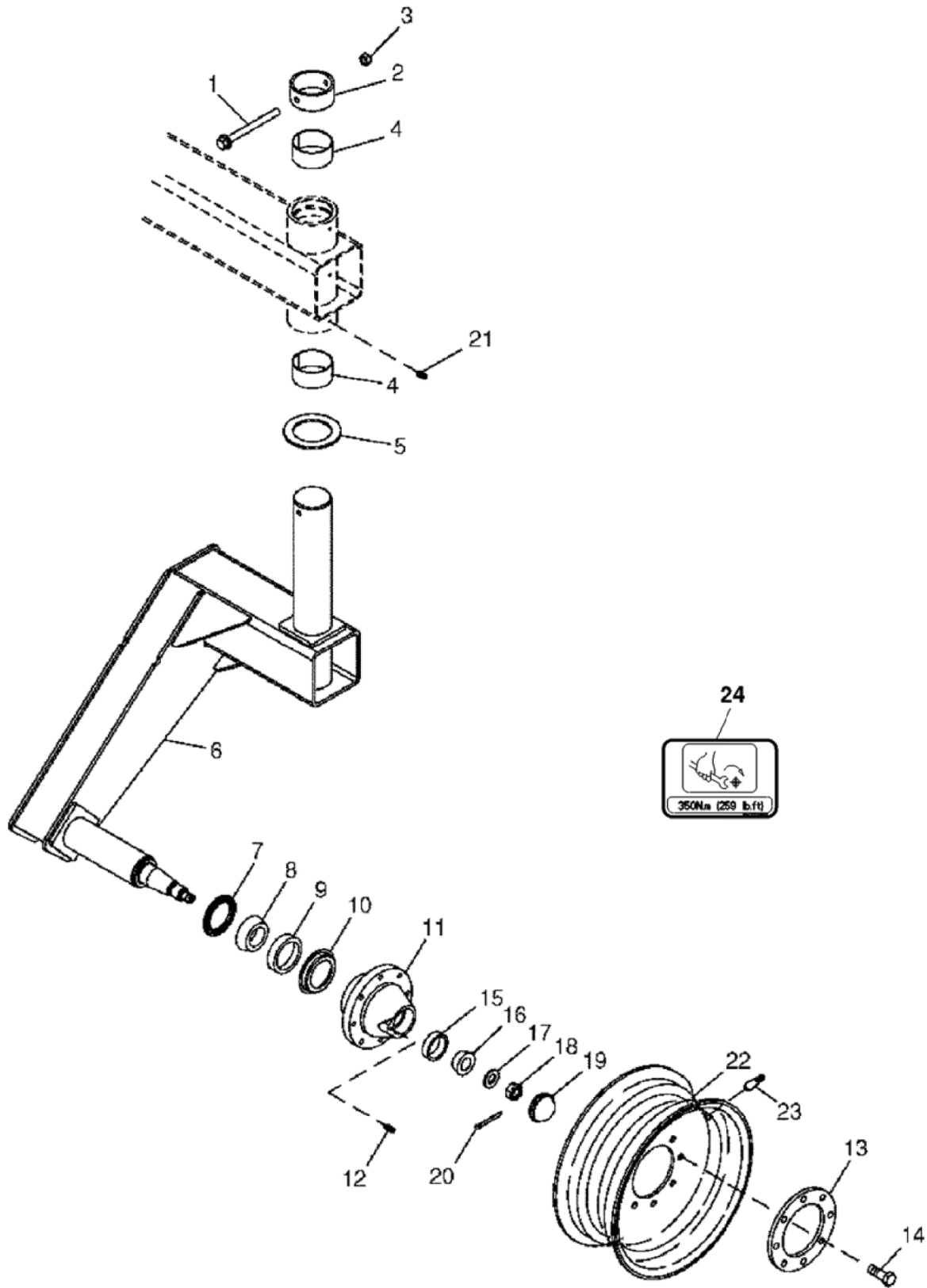
Item	Part No.	Qty	Description	Item	Part No.	Qty	Description
	<b>907289</b>		<b>Cab Hardware Kit</b>				
1	907154	10	. Screw	9	907295	5	. Screw
2	907190	10	. Screw	10	907296	10	. Screw
3	907290	10	. Screw	11	907297	5	. Screw
4	907291	10	. Screw	12	907298	3	. Screw
5	907292	5	. Screw	13	907097	10	. Screw
6	907241	10	. Screw	14	907299	10	. Screw
7	907293	10	. Screw	15	907207	3	. Bolt
8	907294	5	. Screw	16	907300	5	. Screw

Rev -



# Caster Wheel Assembly

Page 1 of 2



# Caster Wheel Assembly

Page 2 of 2

Item	Part No.	Qty	Description	Item	Part No.	Qty	Description
	<b>907716</b>		<b>Caster Wheel Assembly</b>				
1	NSS	1	. Screw	13	907929	1	. Ring
2	907919	1	. Bushing	14	907938	8	. Cap Screw
3	NSS	1	. Lock Nut	15	907930	1	. Bearing Cup
4	907920	2	. Bearing	16	907931	1	. Bearing Cone
5	907921	1	. Thrust Washer	17	907932	1	. Washer
6	907922	1	. Caster	18	907933	1	. Nut
7	907923	1	. Seal	19	907934	1	. Cap
8	907924	1	. Bearing Cone	20	907939	1	. Cotter Pin
9	907925	1	. Bearing Cup	21	NSS	3	. Lubrication Fitting
10	907926	1	. Seal	22	907935	1	. Wheel
11	907927	1	. Hub	23	907940	1	. Tire Valve Stem
12	907928	1	. Set Screw	24	908122	1	. Label, Lug Nut Torque

Rev -

# Hydraulic System

Page 1 of 1

Item	Part No.	Qty	Description	Item	Part No.	Qty	Description
	<b>907648</b>		<b>Hydraulic System</b>				
1	907649	1	. Baler Pump	23	907685	1	. Manifold Assy, Brake/Speed Shift
2	907650	1	.. Baler Drive Pump Edc (Servo)	24	907682	1	.. Manifold, Brake/Speed Shift
3	907622	1	.. Hydraulic Filter Element, LH Pump	25	254708	1	.. Valve, Cartridge, Speed Shift
4	907651	1	. Charge Pump (LH)	26	907683	2	.. Solinoid
5	907652	1	. Wheel Pump (RH) (Front)	27	2304824W	2	.. Cavity Plug
6	907653	1	. Wheel Pump (LH) (Rear)	28	252134	1	.. Valve, Cartridge, Brake
7	907654	1	. Charge Pump, Drive System (RH)	29	R14082	1	.. Fitting, Test Point
8	907655	1	. Motor, Flywheel	30	907686	1	.. Pressure Transducer
9	907656	2	. Motor, Wheel	31	223784	1	.. Fitting
10	907657	1	. Priority Valve, Inline	32	235387	3	.. Fitting
11	907673	1	. Cooling Fan Motor	33	209083	3	.. Fitting
12	907676	1	. Manifold Assy, Cooling Fan Control	34	209805	1	.. Fitting
13	908228	1	.. Manifold	35	907687	1	. Valve, System Relief
14	907675	1	.. Valve, Prop Releif	36	907884	2	. Gear Reducer
15	908229	1	.. Valve, Directional Control	37	908216	1	. Filter Assy, Charge Circuit
16	908230	1	.. Solenoid, Prop Relief	38	907621	1	.. Filter Head, Pressure, 2-Way
17	908231	1	.. Solenoid, Directional Control	39	907619	1	.. Hydraulic In-Line Filter Element
18	907678	1	. Load Holding Valve, Pickup	40	908217	1	. Filter Assy, Cooler Unit
19	907579	1	. Valve, Subplate	41	908201	1	.. Filter Head, Cooler, 3-Way
20	907679	1	.. Dir Control Valve, Pickup/Tension	42	907619	1	.. Hydraulic In-Line Filter Element
21	907680	2	.. Solinoid, Pickup/Tension	43	908218	1	.. Indicator
22	907681	1	. Priority Flow Divider, Adj, Pickup/Ten				

Rev -

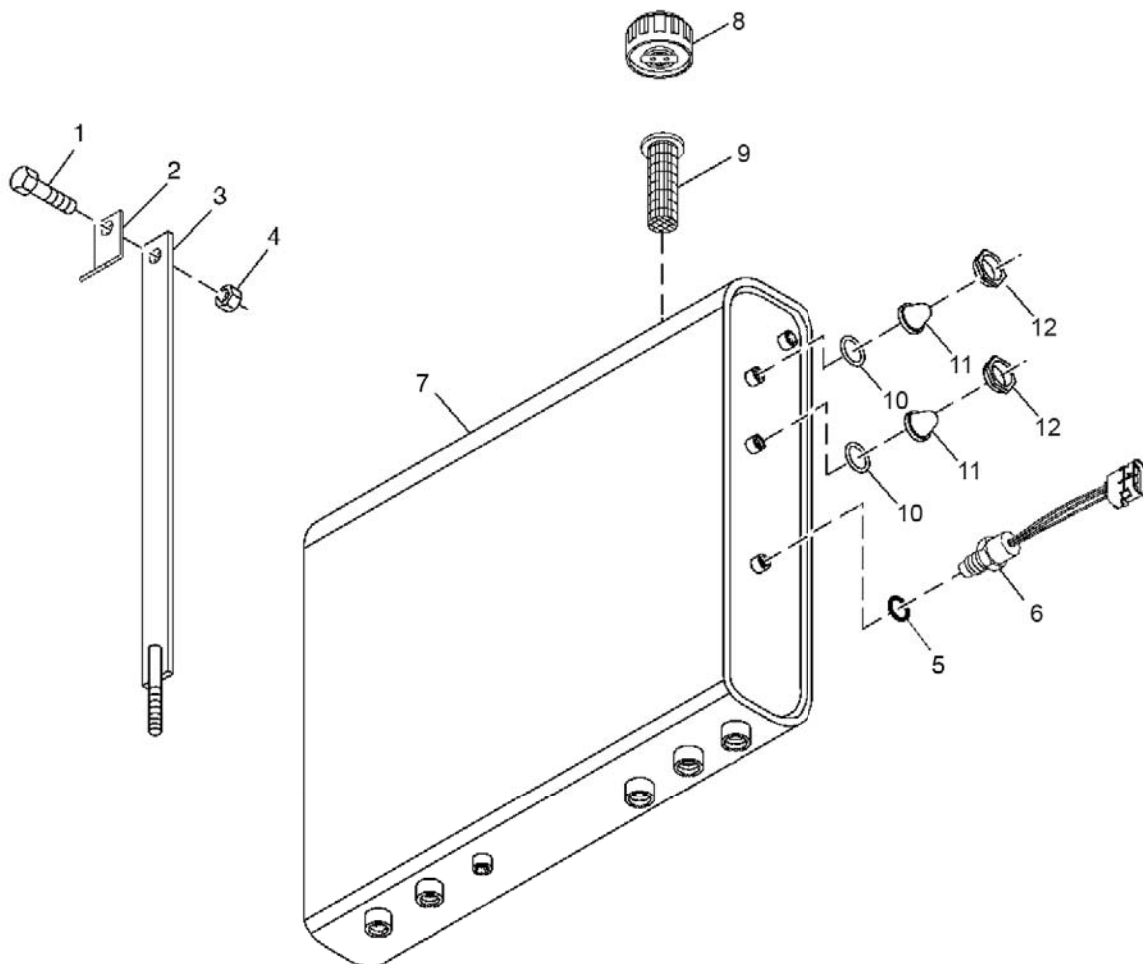
No illustration available at time of publication.

# Hydraulic Tank Assembly

Page 1 of 1

Item	Part No.	Qty	Description	Item	Part No.	Qty	Description
	907831		Hydraulic Tank Assembly				
1	NSS	2	. Screw	7	908018	1	. Reservoir
2	908105	2	. Clip	8	908109	1	.. Filler Cap
3	908106	2	. Band	9	908110	1	.. Strainer
4	NSS	2	. Nut	10	908111	2	.. O-Ring
5	908107	1	. O-Ring	11	908112	2	.. Lens
6	908108	1	. Switch	12	908113	2	.. Retainer

Rev -



---

This page is intentionally left blank.

# Engine Assembly

Page 1 of 1

Item	Part No.	Qty	Description	Item	Part No.	Qty	Description
	<b>907892</b>		<b>Engine Assembly</b>				
1	908131	1	. Engine Sub Assembly	9	908166	1	. A/C High Pressure Switch
2	908132	1	. Gearbox, Pump Drive	10	907623	1	. Serpentine Belt
3	907118	1	. A/C Compressor Installation	11	907624	1	. Starter
4	907119	4	.. Screw	12	907616	1	. Pre-Filter, Water Separator, Fuel
5	907120	2	.. Spring Pin	13	907617	1	. Final Filter, Water Separator, Fuel
6	907121	3	.. Nut	14	907618	1	. Oil Filter, Engine
7	907122	1	.. Compressor				
8	907123	1	.. Seal				

Rev -

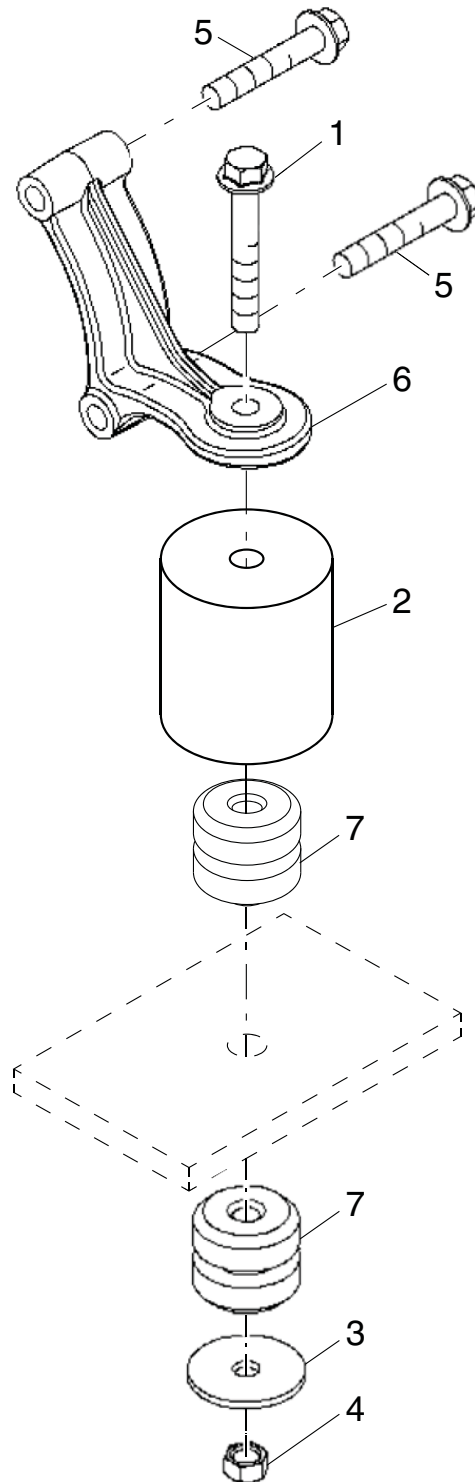
No illustration available at time of publication.

# Engine Mount Installation, Front

Page 1 of 1

Item	Part No.	Qty	Description	Item	Part No.	Qty	Description
<b>908123 Engine Mount Installation, Front</b>							
1	NSS	2	. Screw	5	NSS	4	. Screw
2	908181	2	. Spacer	6	908183	1	. Support, LH (Illustrated)
3	908182	2	. Washer		908184	1	. Support, RH
4	NSS	2	. Lock Nut	7	908185	4	. Isolator

Rev -



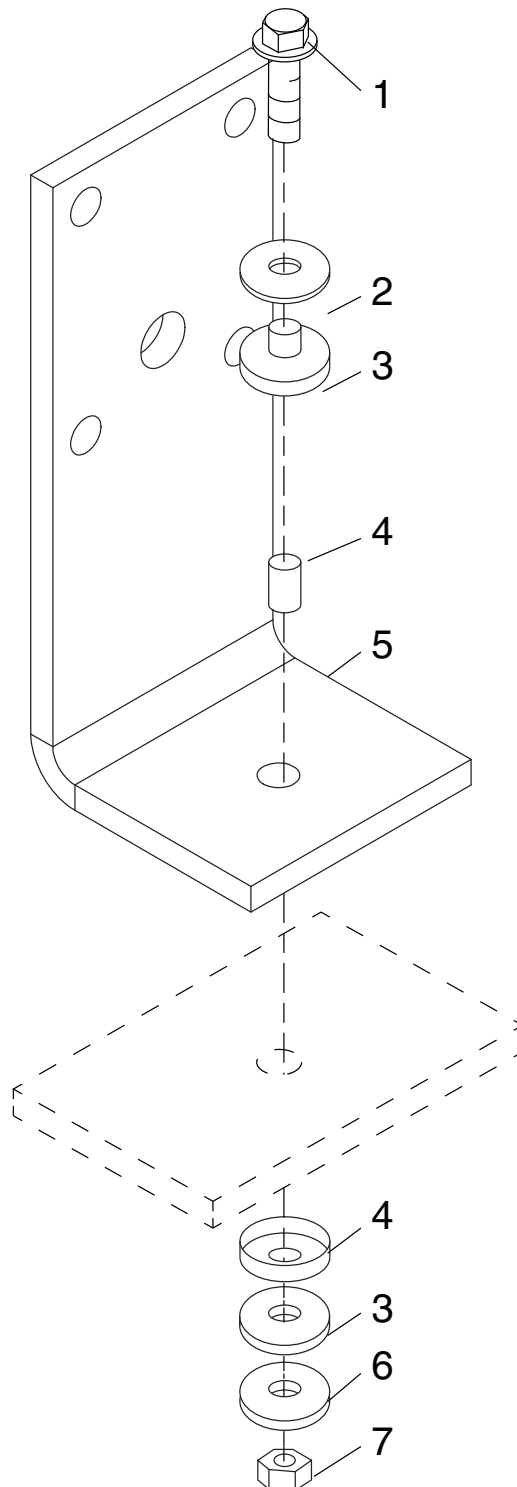


# Engine Mount Installation, Rear

Page 1 of 1

Item	Part No.	Qty	Description	Item	Part No.	Qty	Description
	<b>908124</b>		<b>Engine Mount Installation, Rear</b>				
1	NSS	2	. Cap Screw	5	908135	2	. Spacer
2	907910	2	. Support	6	908136	2	. Washer
3	908133	4	. Isolator	7	NSS	2	. Lock Nut
4	908134	4	. Retainer				

Rev -



---

# Air Filter System Installation

Page 1 of 1

Item	Part No.	Qty	Description	Item	Part No.	Qty	Description
	<b>907647</b>		<b>Air Filter System Installation</b>				
1	907641	1	. Air Filter Housing	9	907879	1	. Tube, Short
2	907613	1	.. Air Filter, Outer (Primary)	10	907880	1	. Tube, To Engine
3	907615	1	.. Air Filter, Inner (Secondary)	11	-----	1	. Clamp, Exhaust
4	R515425	2	. Elbow, 90 Deg, 4"	12	-----	7	. Hose Clamp
5	R14505	1	. Bellows, Reducer, 4" To 5"	13	-----	1	. Hose Clamp
6	R10422	1	. Bellows, Reducer, 3" To 4"	14	-----	1	. Hose Clamp
7	907742	1	. Precleaner	15	-----	2	. Clamp, Pre-Cleaner
8	907878	1	. Tube, From Pre-Cleaner				

Rev-

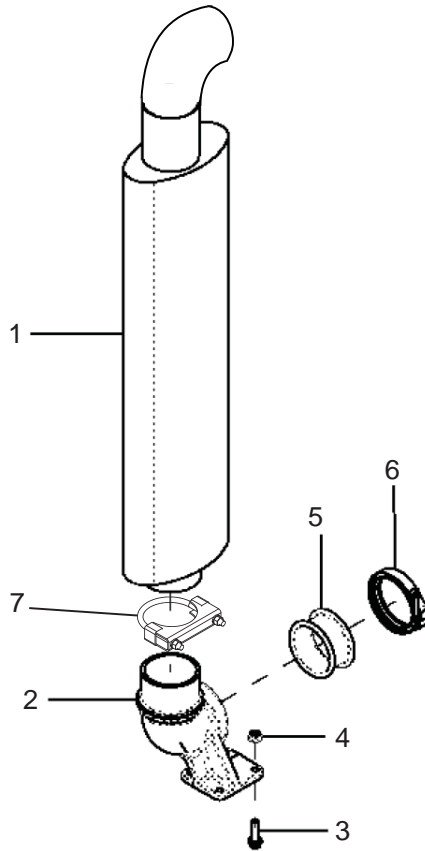
No illustration available at time of publication.

# Exhaust Installation

Page 1 of 1

Item	Part No.	Qty	Description	Item	Part No.	Qty	Description
	<b>907953</b>		<b>Exhaust Installation</b>				
1	907948	1	. Muffler, 90 Deg Tip	5	907951	1	. Adapter Fitting
2	907950	1	. Exhaust Mount	6	907952	1	. Clamp
3	NSS	4	. Screw	7	CLP0035752	1	. Exhaust Clamp
4	NSS	4	. Flange Nut				

Rev -

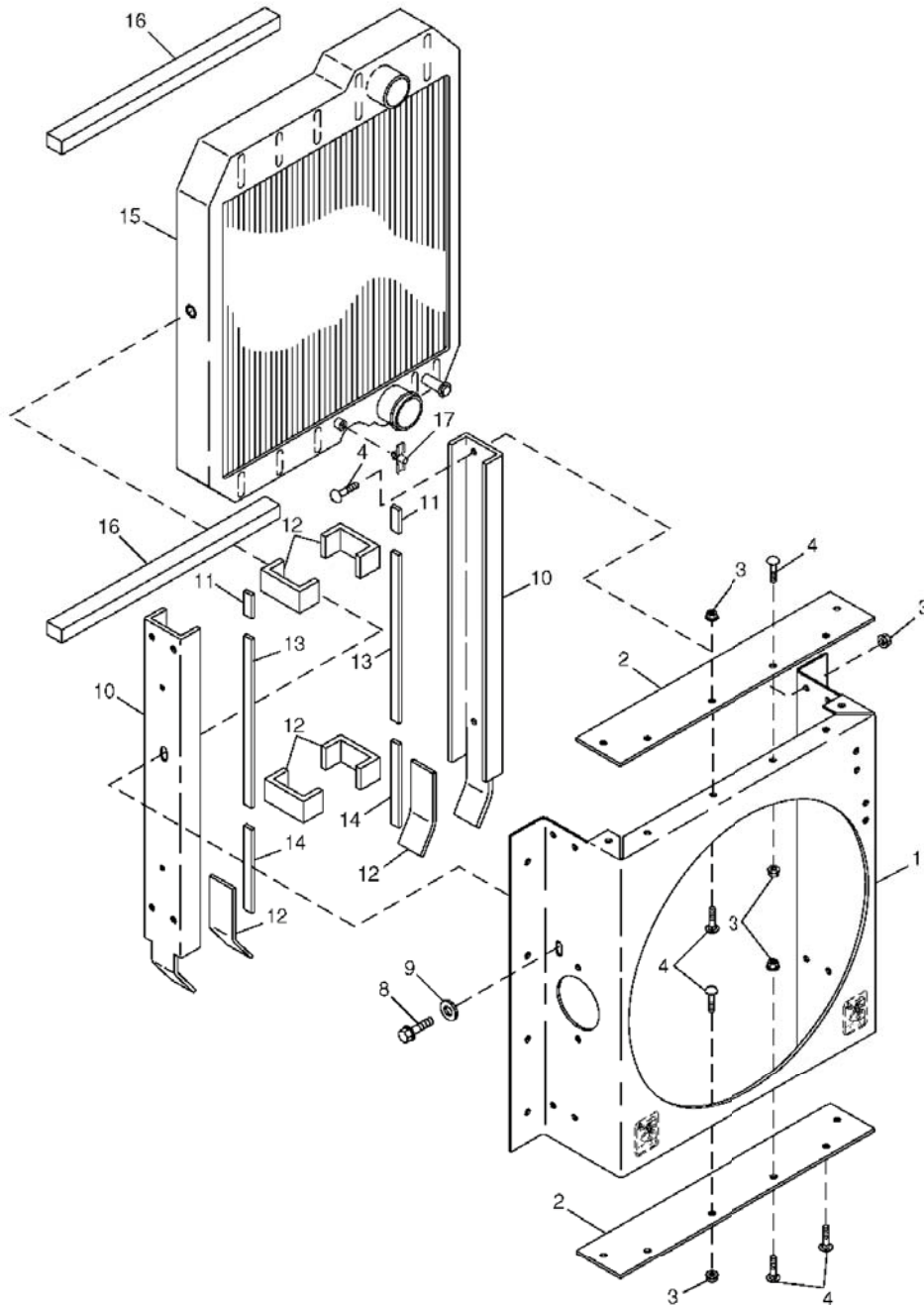


# Radiator Installation

Page 1 of 1

Item	Part No.	Qty	Description	Item	Part No.	Qty	Description
	<b>907954</b>		<b>Radiator Installation</b>				
1	-----	1	. Shroud	12	907957	1	. Cushion Kit
2	-----	2	. Strap	13	907959	2	. Isolator, Center
3	NSS	20	. Nut	14	907960	2	. Isolator, Bottom
4	NSS	20	. Bolt	15	907955	1	. Radiator, Engine Coolant
8	NSS	2	. Bolt	16	908202	2	. Isolator
9	NSS	2	. Washer	17	907956	1	. Drain Valve
10	-----	2	. Channel				
11	907958	2	. Isolator, Top				

Rev -

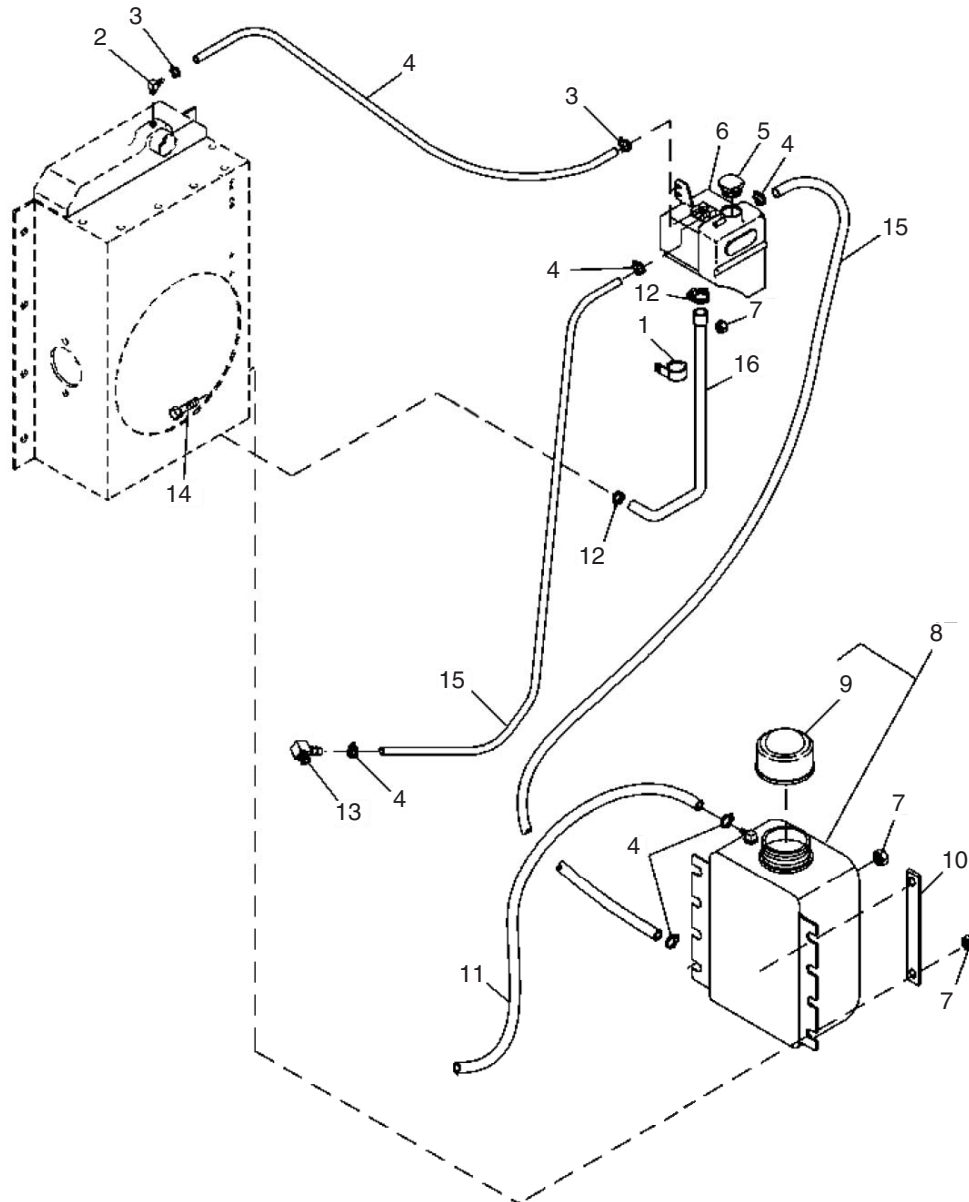


# Radiator Tank & Hose Installation

Page 1 of 1

Item	Part No.	Qty	Description	Item	Part No.	Qty	Description
<b>907961 Radiator Tank &amp; Hose Installation</b>							
1	908207	1	. Clip	10	908211	2	. Strap
2	908208	1	. Elbow Fitting	11	209842	2.2	. Hose
3	908209	7	. Clamp	12	908212	2	. Clamp
4	209842	1.3	. Hose	13	908213	1	. Elbow Fitting
5	908206	1	. Filler Cap	14	NSS	2	. Bolt
6	908205	1	. Tank	15	209842	2	. Hose
7	NSS	AR	. Nut	16	908214	1	. Hose
8	908203	1	. Tank				
9	908204	1	.. Cap				

Rev -

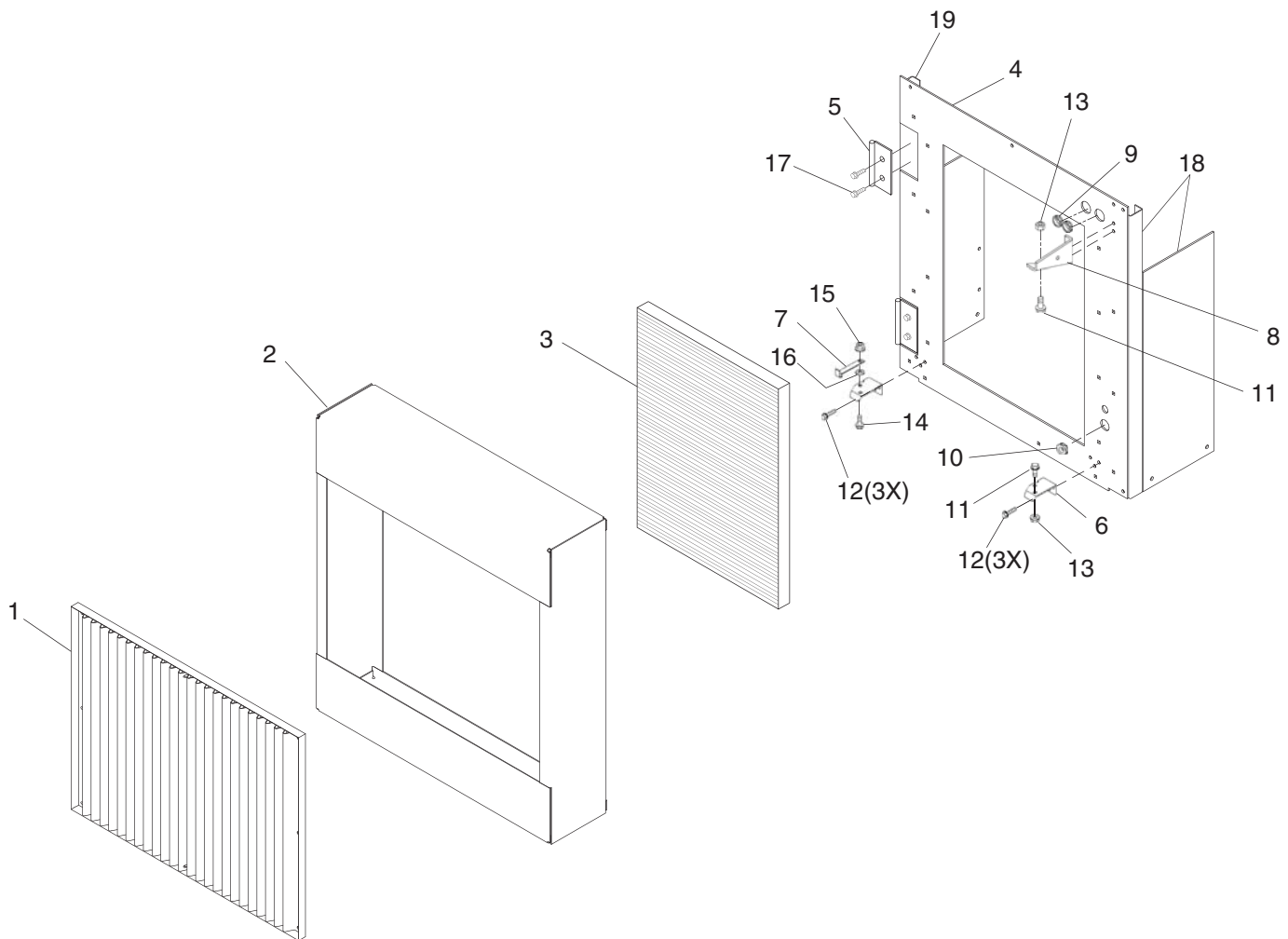


# Oil Cooler & A/C Condenser Installation

Page 1 of 1

Item	Part No.	Qty	Description	Item	Part No.	Qty	Description
	908220		Oil Cooler & A/C Condenser Installation				
1	907883	1	. Screen, Radiator Door	11	NSS	2	. Capscrew
2	907867	1	. Door, Radiator	12	NSS	6	. Screw
3	908219	1	. Radiator, R134a/Hyd. Oil	13	NSS	2	. Lock Nut
4	907881	1	. Radiator Mount	14	NSS	1	. Screw
5	908225	2	. Pivot	15	NSS	1	. Nut
6	908226	2	. Angle	16	NSS	5	. Washer
7	908227	1	. Clip	17	NSS	4	. Bolt
8	908222	1	. Bracket	18	907901	1	. Side Mount, Rear
9	NSS	2	. Grommet	19	907902	1	. Side Mount, Front
10	NSS	1	. Grommet				

Rev -



## Misc. Parts

Page 1 of 1

Item	Part No.	Qty	Description	Item	Part No.	Qty	Description
<b>Misc Parts</b>							
1	907642	3	Convex Mirror Assy	14	908114	3	Latch, Radiator & Twine Box
2	907851	1	Mirror Arm, LF	15	907811	A/R	Engine Oil, John Deere Break-In Only
3	908117	4	Housing, Half, Mirror Arm Mount	16	907965	2	Wheel, Front
4	908118	4	Isolator, Mirror Arm Mount	17	908115	1	Door Bumper
5	NSS	4	Screw, Mirror Arm Mount	18	908116	2	Plug, Handrail
6	NSS	4	Nut, Flange, Mirror Arm Mount	19	907962	1	Lift Strut, Feed Fork Cover
7	907643	1	Light, 2-Face Pedestal, Red/Amber	20	908186	1	Moisture Meter Assembly
8	907644	1	Backup Camera & Monitor	21	908177	1	. Display
9	F000006639	1	Battery (G24-72)	22	908187	1	. Sensor Pad Kit
10	907964	1	Adjustment Rod, Flywheel	23	908180	1	.. Sensor Pad
11	907963	1	Adjustment Rod, Pickup	24	908189	1	. Wire Harness
12	908119	1	Baler Drive Sheave	25	245337	1	.. Fuse, 2A
13	908215	1	Hub, Baler Drive Sheave	26	-----	1	Diagnostic Gauge, In Cab

Rev-

No illustration available at time of publication.

# Parts Index

Part No.	Description	Page No.	Part No.	Description	Page No.
209083	Fitting	68	907166	Cover	25
209805	Fitting	68	907167	Blower Fan	25
209842	Hose	77	907168	Resistor	25
223784	Fitting	68	907169	Shield	25
235387	Fitting	68	907171	Clamp	25
245337	Fuse, 2A	79	907172	Conduit	25
252134	Valve, Cartridge; Brake	68	907173	Conduit	25
254708	Valve, Cartridge; Speed Shift	68	907174	Housing	25
905235	Decal, Freeman Logo, Red	11	907175	Air Filter, Cab Recirculating	25
907094	A/C And Heater Ducts	31	907176	Housing	25
907095	Air Duct	31	907177	Seal	25
907096	Louver	31	907178	Housing	25
907099	Washer	31	907179	Support	25
907100	Housing	31	907180	Dust Shield	25
907101	A/C And Heater Housing, Upper	27	907182	Check Valve	25
907103	Cover	27	907183	Tube	25
907104	Seal	27	907184	Fitting	25
907105	Insert	25	907185	Air Duct	25
907107	Seal	27	907186	Armrest Control Panel, Drive Lever And Cable	43
907108	Air Duct	27	907189	Cover	43
907109	Clip	27, 47	907192	Bracket	43
907110	Temperature Switch	27	907193	Arm	43
907111	Isolator	25, 27	907194	Torsion Spring	43
907112	Fan	27	907195	Lever	43
907113	Washer	25, 27	907196	Rotary Switch	43
907115	Housing	27	907198	Washer	43
907116	Housing	27	907199	Compression Spring	43
907117	Absorber	25, 27	907200	Washer	43
907118	A/C Compressor Installation	71	907202	Lever Kit	43
907120	Spring Pin	71	907203	Clip	43
907122	Compressor	71	907205	Housing	43
907123	Seal	71	907207	Bolt	43
907136	Flange Nut	33	907209	Washer	13, 43, 49
907137	O-Ring	30	907211	Tie Band	19, 43
907138	O-Ring	30	907212	Support	43
907139	O-Ring	30	907213	Snap Ring	43
907140	A/C System, Evaporator Heater	30	907214	Housing	43
907141	Heat Exchanger	30	907215	Electrical Connector Assy	43
907142	Valve	30	907217	Lock	43
907143	Hose	30	907218	Knob	43
907144	Hose	30	907219	Switch	43
907145	Filter	30	907220	Label	43
907147	A/C System, Water Valve Assembly	29	907222	Link End	43, 53
907149	Actuator	29	907223	Bushing	43
907150	Actuator	29	907224	Pin Fastener	43
907151	Bracket	29	907225	Cab Air Filter And Housing	28
907152	Valve	29	907226	Air Filter	28
907153	Adapter	29	907228	Snap Ring	17, 28
907155	Bulk Hose	29	907229	Door	28
907156	Hydraulic Hose	29	907230	Knob	17, 28
907157	Fitting	29	907231	Label	28
907158	Fitting	29	907232	Cab Glass And Door	13
907159	Flange Nut	29	907234	Bracket	13
907160	Hose Clamp	29	907235	Windshield Kit	13
907161	Grommet	29	907236	Windowpane	13
907162	Grommet	29	907237	Door	13
907163	Wiring Harness	29	907238	Windowpane	13
907164	A/C, Heater Housing And Filters, Lower	25	907239	Bezel	13



# Parts Index

Part No.	Description	Page No.	Part No.	Description	Page No.
907240	Tie Band	13	907333	Sheet	17
907242	Weatherstrip	13, 15	907334	Mat	17
907243	Label	13	907335	Plug	17, 47
907244	Weatherstrip	13	907336	Door	17
907245	Washer	13	907337	Plate	17
907247	Washer	13	907338	Strap	17
907248	Isolator	13	907339	Seal	17
907250	Cover	13	907340	Cover	17
907251	Latch	13	907341	Plug	17
907252	Bearing	13	907346	Ashtray	17
907254	Hinge	13	907347	Housing	17
907255	Washer	13	907348	Washer	17
907257	Pin	13	907352	Cab Supports And Isolators	55
907258	Snap Ring	13	907361	Isolator	55
907259	Tube	13	907363	Washer	55
907261	Washer	13	907364	Support	55
907262	Bushing	13	907378	Washer	47
907263	Gasket	13	907389	Instructional Seat Seatbelt	34
907264	Gasket	13	907390	Seat Belt	34
907265	Bushing	13	907392	Washer	34
907266	Handle	13	907393	Spacer	34
907269	Bracket	13	907394	Operators Seat Air Suspension Wear Parts Kit	71
907270	Spacer	13	907395	Operators Seat Air Suspension	37
907273	Bushing	13	907396	Push Pull Cable	37
907274	Washer	13	907397	Absorber	37
907276	Cap	13	907398	Seal Kit	37
907277	Strap	13	907399	Support	37
907278	Striker	13	907400	Bolt	37
907280	Cab Handle And Fascia	11	907401	Spring	37
907281	Handle	11	907402	Seat Suspension	37
907286	Shield	11	907403	Seat Adjustment Cable Kit	37
907288	Bezel	11	907404	Compressor	37
907289	Cab Hardware Kit	65	907405	Hose	37
907301	Cab Interior Roof And Trim Panels	19	907406	Rail	37, 41
907302	Headliner	19	907407	Grip	37, 41
907303	Headliner, Rear	19	907408	Absorber	37
907304	Hook	19	907409	Console	37
907306	Panel, LH	19	907410	Grip	37
907307	Panel, Rear	19	907412	Seat Suspension	37
907308	Panel, RH	19	907413	Display Module	37
907309	Roof	19	907414	Rivet	37
907310	Cover	19	907415	Stop	37
907313	Container	19	907416	Lever	37
907314	Panel	19	907417	Angle	37
907315	Bracket	19	907418	Arrestor	37
907316	Clip	19, 47, 53	907420	Operators Seat Cushion, Armrest, Mountings	41
907317	Clamp	19	907421	Plug	41
907319	Cover	19	907422	Structural Tubing	41
907321	Stud	19	907423	Bracket	41
907323	Grommet	19	907424	Shield	41
907324	Isolator	19	907425	Support	41
907325	Isolator	19	907426	Bearing	41
907326	Flange Nut	33	907427	Spring	41
907327	Bushing	19	907428	Detent	41
907328	Knob	19	907429	Bearing	41
907329	Cab Panels And Floor Mat Assembly	17	907430	Washer	41
907330	Plate	17	907431	Bushing	41
907332	Plate	17	907432	Spring	41

# Parts Index

Part No.	Description	Page No.	Part No.	Description	Page No.
907434	Armrest	41	907502	Snap Ring	49
907435	Spindle	41	907504	Compression Spring	49
907436	Lever	41	907505	Rod	49
907437	Shield	41	907506	Seal	49
907438	Armrest Kit	41	907507	Arm	49
907440	Rivet	35, 41	907508	Compression Spring	49
907442	Cushion	41	907509	Clip	49
907444	Seat Belt	41	907510	Rod	49
907445	Seat	41	907511	Clip	49
907446	Cushion	41	907512	Tube	49
907447	Bushing	41	907513	Ball Bearing	49
907448	Bushing	41	907514	Snap Ring	49
907451	Seat Back	41	907515	Universal Joint With Shaft	49
907452	Operator's Seat Pivot And Adjust Assemblies	35	907516	Bearing	49
907453	Lever	35	907519	Coupling	49
907454	Operator Presence Switch Kit	35	907520	Shaft Key	49
907455	Shield	35	907522	Steering Shaft	49
907456	Support	35	907523	Spring Pin	49
907457	Bushing	35	907524	Washer	49
907458	Grip	35	907525	Steering Shaft	49
907459	Plate	35	907526	O-Ring	49
907460	Grip	35	907528	Steering Column (Upper)	47
907461	Grip	35	907529	Key	47
907462	Shield	35	907530	Switch, Ignition	47
907463	Lever	35	907531	Switch, Horn	47
907464	Plate	35	907532	Housing	47
907465	Outer Cab Roof Installation	10	907533	Cap	47
907467	Roof	10	907537	Gear	47
907468	Bushing	10	907539	Guide	47
907470	Rear View Mirror Assembly	14	907541	Clamp	47
907471	Bracket	14	907542	Guard	47
907472	Rear View Mirror	14	907543	Sign	47
907473	Spacer	14	907544	Panel	47
907475	Seat Shrouds And Instructional Seat	33	907545	Bulb	23, 47
907476	Box	33	907546	Cover	47
907477	Console	33	907548	Retainer	47
907478	Container	33	907549	Snap Ring	47
907479	Cover	33	907550	Turn Signal Controller	47
907480	Cushion	33	907551	Steering Wheel	47
907481	Seat	33	907553	Knob	47
907482	Stud	33	907555	O-Ring	47
907483	Sound Dampening Parts	15	907556	Cover	47
907484	Barrier	15	907557	Label	47
907485	Barrier	15	907558	Electrical Connector Assy	47
907486	Barrier	15	907579	Valve, Subplate; DCV	68
907487	Barrier	15	907591	Operators Seat Air Suspension, Lower	37
907488	Steering Column (Lower)	49	907592	Operators Seat Air Suspension, Upper	37
907490	Housing	49	907616	Pre-Filter, Water Separator, Fuel	71
907492	Isolator	49	907617	Final Filter, Water Separator, Fuel	71
907493	Housing	49	907618	Oil Filter, Engine	71
907494	Crank	49	907619	Hydraulic In-Line Filter Element	68
907495	Bolt	49	907621	Filter Head, Pressure, 2-Way	68
907496	Pin	49	907622	Hydraulic Filter Element, Lh Pump	68
907497	Pawl	49	907623	Serpentine Belt	71
907498	Cover	49	907624	Starter	71
907499	Pedal	49	907642	Convex Mirror Assy	79
907500	Spring Pin	49	907643	Light, 2-Face Pedestal, Red/Amber	79
907501	Pin Fastener	49	907648	Hydraulic System	68

# Parts Index

Part No.	Description	Page No.	Part No.	Description	Page No.
907649	Baler Pump	68	907929	Ring	67
907650	Baler Drive Pump EDC (Servo)	68	907930	Bearing Cup	67
907651	Charge Pump, LH	68	907931	Bearing Cone	67
907652	Wheel Pump, RH (Front)	68	907932	Washer	67
907653	Wheel Pump, LH (Rear)	68	907934	Cap	67
907654	Charge Pump, Drive System, RH	68	907935	Wheel	67
907655	Motor, Flywheel	68	907939	Cotter Pin	67
907656	Motor, Wheel	68	907940	Tire Valve Stem	67
907657	Priority Valve, Inline	68	907951	Adapter Fitting	75
907673	Cooling Fan Motor	68	907952	Clamp	75
907675	Valve, Prop Releif	68	907954	Radiator Installation	76
907676	Manifold Assy, Cooling Fan Control	68	907955	Radiator, Engine Coolant	76
907678	Load Holding Valve, Pickup	68	907956	Drain Valve	76
907679	Directional Control Valve, Pickup/Tension	68	907957	Cushion Kit	76
907680	Soloid, Pickup/Tension	68	907958	Isolator, Top	76
907681	Priority Flow Divider, Adjustable, Pickup/Tension	68	907959	Isolator, Center	76
907682	Manifold, Brake/Speed Shift	68	907960	Isolator, Bottom	76
907683	Soloid	68	907961	Radiator Tank & Hose Installation	77
907685	Manifold Assembly, Brake/Speed Shift	68	907962	Lift Strut, Feed Fork Cover	79
907686	Pressure Transducer	68	907963	Adjustment Rod, Pickup	79
907687	Valve, System Relief	68	907964	Adjustment Rod, Flywheel	79
907689	Circuit Breakers, Engine Compartment	57	907965	Wheel, Front	79
907716	Caster Wheel Assembly	67	907978	Shield, RH	11
907728	Overhead Console Panel Assembly	21	907979	Strap	21
907746	Instrument Panel, Cab Post	23	907980	Bracket	21
907752	Relay	57, 58	907981	Support	21
907759	Armrest Control Panel Assembly	45	907982	Horn	21
907763	Horn Installation	61	907983	Eleconnector Housing	21
907764	Radio Installation	59	907984	Eleconnector Terminal	21
907765	Dome Light Installation	60	907985	Console	21
907771	Cab Roof Flood Light Installation	62	907986	Label	21
907780	Steering Cable	50	907987	Graphics Panel	21
907781	Steering Cable	50	907988	Wiring Lead	19, 21
907782	Hydraulic Cylinder	51, 53	907989	Switch	21
907784	Steering Assembly	50, 53	907990	Potentiometer	21
907786	Steering Installation	50	907991	Instrument Panel	21
907811	Engine Oil, Break-In Only	79	907992	Label, Wiper	21
907831	Hydraulic Tank Assembly	69	907993	Label, Hazard Lights	21
907851	Mirror Arm, LF	79	907994	Label, Road Lights	21
907867	Door, Radiator	78	907995	Label, Field Lights	21
907881	Radiator Mount	78	907996	Label, Work Lights	21
907883	Screen, Radiator Door	78	907997	Graphics Panel	21
907884	Gear Reducer	68	907998	Toggle/Rocker Switch	21
907892	Engine Assembly	71	907999	Toggle/Rocker Switch	21
907901	Side Mount, Rear	78	908000	Graphics Panel	21
907902	Side Mount, Front	78	908001	Knob	21
907910	Support	73	908002	Label, Warning	21
907918	Shield, LH	11	908003	Cam	21
907919	Bushing	67	908004	Label, Tachometer	23
907920	Bearing	67	908005	Panel	23
907921	Thrust Washer	67	908006	Panel	23
907922	Caster	67	908007	Bracket	23
907923	Seal	67	908008	Digital Display Kit	23
907924	Bearing Cone	67	908009	Cover	23
907925	Bearing Cup	67	908010	Circuit Board	23
907926	Seal	67	908012	Gauge, Fuel	23
907927	Hub	67	908013	Temperature Gauge	23
907928	Set Screw	67	908014	Panel	23

# Parts Index

Part No.	Description	Page No.	Part No.	Description	Page No.
908015	Module	23	908081	Circuit Breaker, 50A	57
908016	Bulb	23	908082	Strap	57
908017	Digital Display	23	908083	Strap	57
908018	Reservoir	69	908084	Antenna	59
908020	Ground Speed Sensor Installation	64	908085	Angle	57
908022	Disk	64	908086	Angle	57
908024	Spacer	64	908087	Clip	57
908025	Sensor	64	908088	Panel	57
908027	Strap	64	908089	Seal	59
908028	Toggle/Rocker Switch, Ground Speed	45	908090	Cover	59
908029	Toggle/Rocker Switch, Throttle	45	908091	Speaker	59
908030	Toggle/Rocker Switch, Baler Engage	45	908092	Radio	59
908031	Label	45	908093	Bracket	59
908032	Cover	45	908094	Isolator	60
908033	Link Chain	45	908095	Base	60
908034	Label	45	908096	Switch	60
908035	Cushion	45	908097	Bulb	60
908036	Plug	45	908098	Lens	60
908037	Housing, 12V Acc.	45	908099	Cover	60
908038	Stud	45	908100	Horn	61
908039	Label	45	908101	Bracket	61
908040	Cover	45	908102	Bulb	62
908041	Plug	45	908103	Floodlamp	62
908043	Linkage, Steering, Forward Pump	50	908104	Floodlamp, Trapezoidal	62
908044	Linkage, Steering, Rear Pump	50	908105	Clip	69
908045	Seal	51	908106	Band	69
908046	Seal	51	908107	O-Ring	69
908047	Pin Fastener	53	908108	Switch	69
908048	Bushing	53	908109	Filler Cap	69
908049	Bushing	53	908110	Strainer	69
908050	Extension Spring	53	908111	O-Ring	69
908051	Pin Fastener	53	908112	Lens	69
908052	O-Ring	53	908113	Retainer	69
908053	Splined Coupling	53	908114	Latch, Radiator & Twine Box	79
908054	Bracket	53	908115	Door Bumper	79
908055	Eyebolt	53	908116	Plug, Handrail	79
908056	Angle	53	908117	Housing, Half, Mirror Arm Mount	79
908057	Bearing	53	908118	Isolator, Mirror Arm Mount	79
908058	Cable	53	908119	Baler Drive Sheave	79
908059	Extension Spring	53	908122	Label, Lug Nut Torque	67
908060	Pin	53	908123	Engine Mount Installation, Front	72
908061	Gear	53	908124	Engine Mount Installation, Rear	73
908063	Arm	53	908131	Engine Sub Assembly	71
908064	Shaft	53	908132	Gearbox, Pump Drive	71
908065	Tie Rod Assembly	53	908133	Isolator	73
908066	Bushing	53	908134	Retainer	73
908067	Elbow Fitting	53	908135	Spacer	73
908068	Pivot	53	908136	Washer	73
908069	Plate	53	908165	Circuit Breaker, 30A	57
908070	Bracket	53	908166	A/C High Pressure Switch	71
908071	Isolator	53	908177	Display	79
908072	Lubrication Fitting	53	908180	Sensor Pad	79
908073	Absorber	53	908181	Spacer	72
908074	Bushing	53	908182	Washer	72
908075	Bushing	53	908183	Support, LH (Illustrated)	72
908077	Cable, To Cab	53	908184	Support, RH	72
908078	Isolator	53	908185	Isolator	72
908079	O-Ring	53	908186	Moisture Meter Assembly	79

## Parts Index

Part No.	Description	Page No.	Part No.	Description	Page No.
908187	Sensor Pad Kit	79	908213	Elbow Fitting	77
908189	Wire Harness	79	908214	Hose	77
908191	Windshield Wiper Installation	63	908215	Hub, Baler Drive Sheave	79
908192	Wiper Motor	63	908216	Filter Assy, Charge Circuit	68
908193	Bracket	63	908217	Filter Assy, Cooler Unit	68
908194	Plug	63	908218	Indicator	68
908195	Support	63	908219	Radiator, R134a/Hyd Oil	78
908196	Wiper Arm	63	908220	Oil Cooler & A/C Condenser Installation	78
908199	Wiper Blade	63	908222	Bracket	78
908200	Wiring Harness	63	908225	Pivot	78
908201	Filter Head, Cooler, 3-Way	68	908226	Angle	78
908202	Isolator	76	908227	Clip	78
908203	Tank	77	908228	Manifold	68
908204	Cap	77	908229	Valve, Directional Control	68
908205	Tank	77	908230	Solenoid, Prop Relief	68
908206	Filler Cap	77	908231	Solenoid, Directional Control	68
908207	Clip	77	970644	Backup Camera & Monitor	79
908208	Elbow Fitting	77	2304824W	Cavity Plug	68
908209	Clamp	77	CLP0035752	Exhaust Clamp	75
908211	Strap	77	F000006639	Battery (G24-72)	79
908212	Clamp	77	R14082	Fitting, Test Point	68



To find a dealer in your area,  
Call: 503-625-2560,  
Fax: 503-625-7269, or  
Visit our website: <http://www.alliedsystems.com>

**Allied Systems**  
C O M P A N Y

PB00000220 10/16/2013  
Printed in USA