

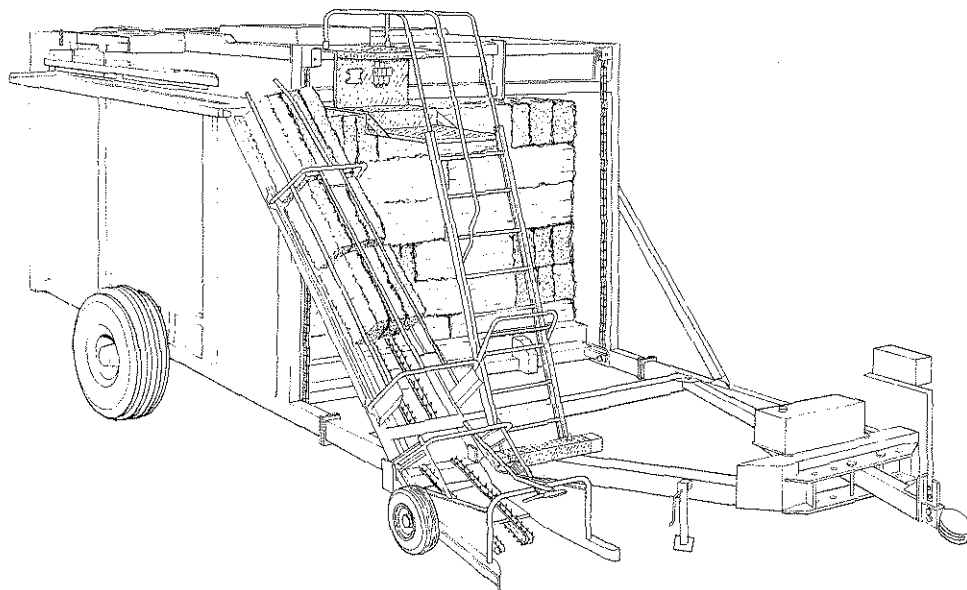
FREEMAN

7-Tier Accumulator

PULL TYPE BALE WAGON

Model 7000

845 Parts List



manufactured and distributed by

J. A. FREEMAN & SON, INC.



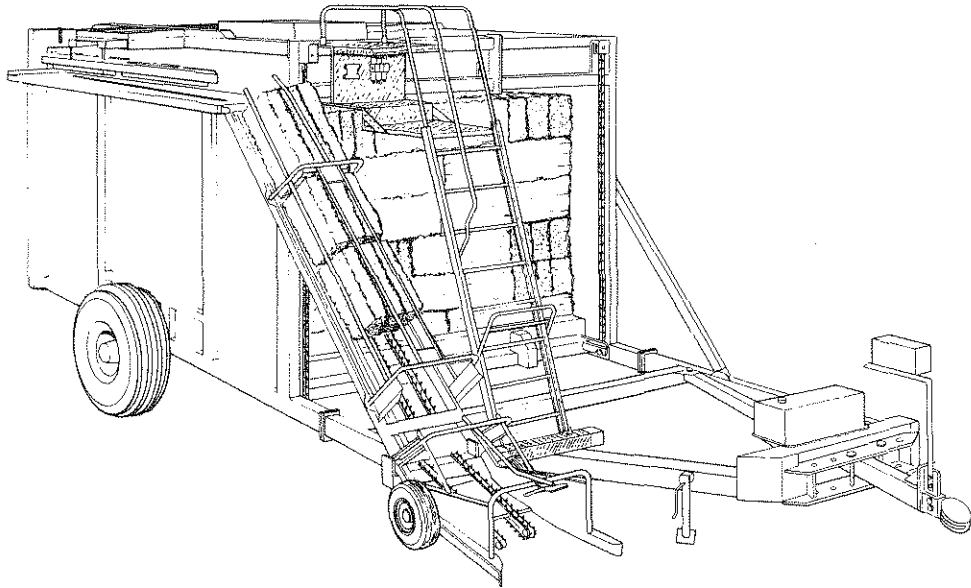
BE CAREFUL

1. KEEP ALL SHIELDS IN PLACE.
2. STOP ENGINE OR MOTOR BEFORE LEAVING OPERATORS POSITION TO ADJUST, LUBRICATE, CLEAN, OR UNCLOG MACHINE, UNLESS OTHERWISE SPECIFICALLY RECOMMENDED IN THE "OPERATOR'S MANUAL."
3. WAIT FOR ALL MOVEMENT TO STOP BEFORE SERVICING MACHINE.
4. KEEP HANDS, FEET, AND CLOTHING AWAY FROM POWER DRIVEN PARTS.
5. KEEP OFF EQUIPMENT UNLESS SEAT OR PLATFORM FOR OPERATION AND OBSERVATION IS PROVIDED.
6. KEEP ALL OTHERS OFF.
7. USE APPROPRIATE SIGNS OR WARNING LIGHTS WHEN OPERATING ON HIGHWAYS.
8. MAKE CERTAIN EVERYONE IS CLEAR OF MACHINE BEFORE STARTING ENGINE, MOTOR OR OPERATION.

PARTS LIST 845

for

7-TIER ACCUMULATOR



POLICY

1. It is the policy of J.A. Freeman & Son, Inc. to constantly improve its products whenever it is practical to do so.
2. J.A. Freeman & Son, Inc. reserves the right to redesign or change its equipment or component parts thereof without incurring any obligation to install or furnish such changes on equipment previously delivered.
3. Unauthorized changes or additions to equipment manufactured by J.A. Freeman & Son, Inc. relieves the company of further responsibility for warranted operation and breakage replacement.

INSTRUCTIONS FOR ORDERING PARTS

1. Order by part number and description of part.
 - (a) Parts should NOT be ordered from illustration only.
 - (b) Parts should NOT be ordered from numbers on castings.
2. Order by 7-Tier Accumulator serial number and model.
3. Much delay and confusion can be avoided if parts numbers are arranged in sequence on all orders.
4. State how to ship: whether by truck, stage, parcel post, air parcel post, UPS, or air freight.
5. Claims for shortage or error in handling of an order for parts must be made upon receipt of goods.
6. Address all orders for parts as follows:

J.A. Freeman & Son, Inc.
Parts Department,
2034 N.W. 27th Avenue,
Portland, Oregon 97210

Place serial number of machine here for your convenience:

7-Tier Accumulator Serial No. _____

Motor Serial No. _____

Left and right of machine are understood to mean from a position facing in the direction of travel.

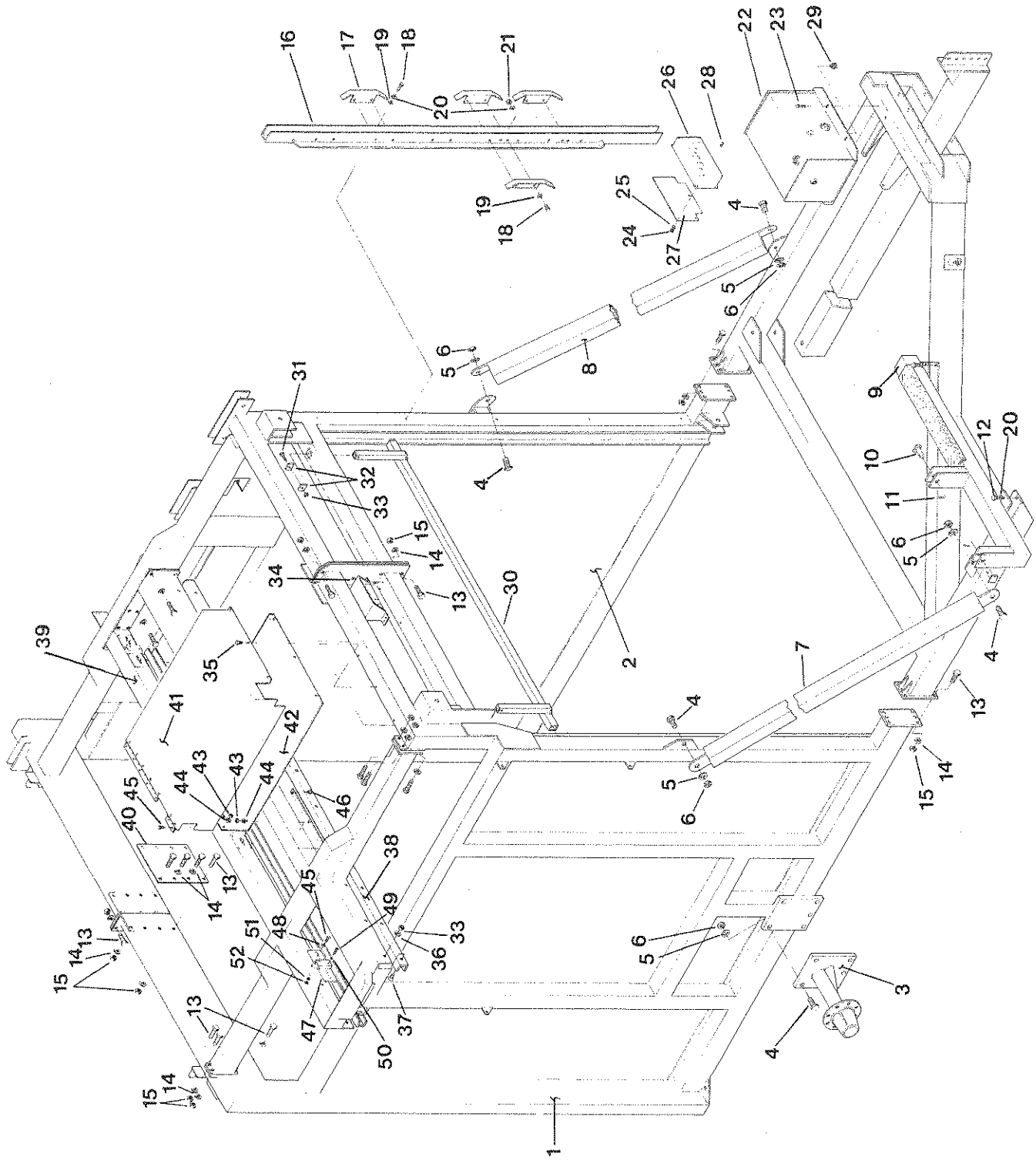
Permission must be secured before any parts are returned for credit. When parts are returned, the freight must be prepaid or arrangements made so that they can be brought in by our trucks.

"NOTE"

Parts are identified by reference numbers. See parts list for correct part numbers. DO NOT USE REFERENCE NUMBERS AS PART NUMBERS.

TABLE OF CONTENTS

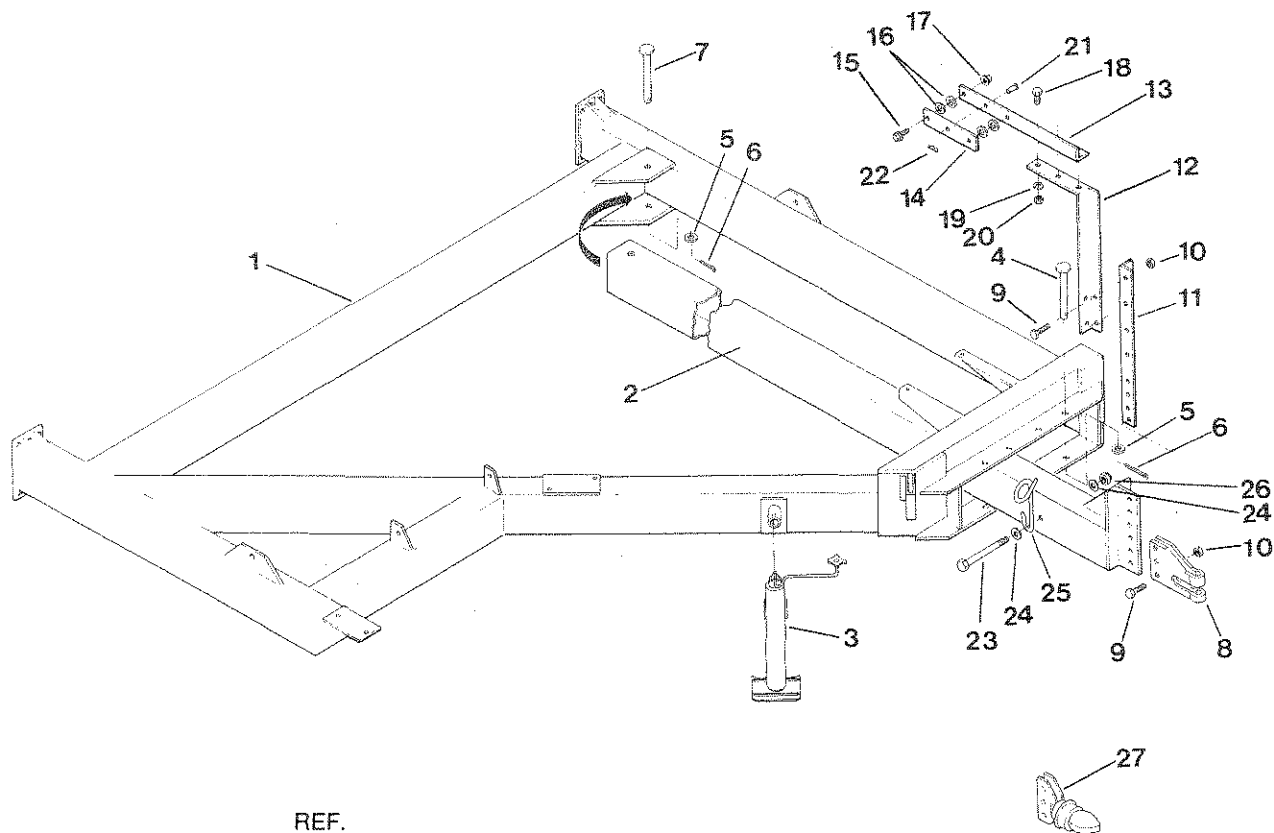
Main Frame.....	2
Tongue.....	3
Bale Retainer Bar and Index Paddle.....	4
Bed and Push Off Bar.....	6
Pick Up Chute.....	8
Elevator.....	10
Bale Table.....	12
Pusher.....	13
Spindle and Wheel.....	14
Ladder and Safety Platform.....	16
Main Frame Hydraulics.....	18
Main Hydraulic Panel.....	20
Component Location.....	22
7 Tier Controls.....	24
7 Tier Electrical.....	26



MAIN FRAME

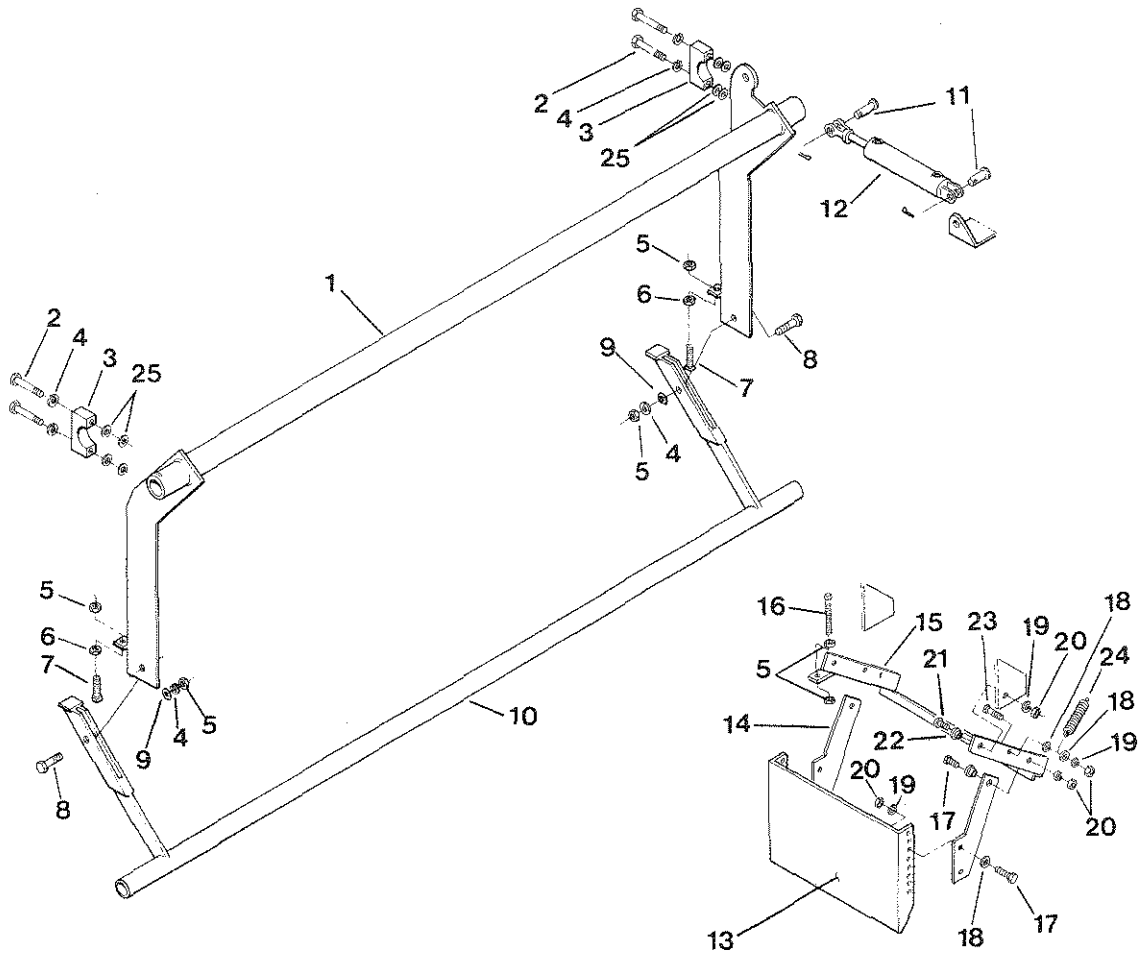
REF. NO.	PART NO.	DESCRIPTION
1	FRM0016862	Side Frame RH
2	FRM0016861	Side Frame LH
3	SPN0073052 21-901	Spindle Mount Plate & Hub Complete Hub Only With Bearing And Cones
4	SCC0000808	3/4" x 2 1/2" NC Cap Screw (14 used)
5	WLK0007500	3/4" Lock Washer (14 used)
6	NCH0007500	3/4" NC Hex Nut (14 used)
7	BRC7311600	Brace RH
8	BRC7311601	Brace LH
9	SUP0073199	Lower Elevator Support
10	PIN7321905	Elevator To Chute Pin (2 used)
11	COT0000504	1/8" x 1 1/2" Cottor (2 Used)
12	SCC0000203	5/16" x 1 1/4" NC Cap Screw (4 used)
13	SCC0000506	1/2" x 2" NC Cap Screw
14	WLK0005000	1/2" Lock Washer
15	NCH0005000	1/2" NC Hex Nut
16	MNT0016744	Tie Switch Mount Assy
17	CAM0016742	Tie Cam (4 used)
18	SCC0000202	5/16" x 1" NC Cap Screw (13 used)
19	WCT0003125	5/16" Flat Washer
20	WLK0003125	5/16" Lock Washer (17 used)
21	NCH0003125	5/16" NC Hex Nut (8 used)
22	TNK0167175	Oil Tank
23	SCC0000106	1/4" x 2" NC Cap Screw (4 used)
24	NCH0002500	1/4" NC Hex Nut (6 used)
25	WLK0002500	1/4" Lock Washer (6 used)
26	BOX0016559	Control Box
27	CVR0016823	Cover, Control Box
28	SMR0000100	1/4" x 1/2" Round Head Screw (4 used)
29	PLU0250500	1/2" x 1/4" Pipe Plug
30	RET0073165	Front Bale Retainer Bar
31	SCC0000310	3/8" x 3" NC Cap Screw (2 used)
32	STO0073168	Front Bale Retainer Stops (4 used)
33	NCH0003750	3/8" NC Hex Nut (2 used)
34	SMS0000139	1 x 1/2" Self Tapping Screw
35	SMS0000217	1/4" x 3/8" Hex Self Tapping
36	WLK0003750	3/8" Lock Washer (20 used)
37	SCO0000302	3/8" x 1" NC FH Socket Screw (20 used)
38	TRK0073201	Bed Roller Tracks (2 used)
39	FRM0016910	Pusher Body Frame
40	PLT0073376	Reinforcement Plate
41	CVR0016908	Valve Platform Cover
42	PLT0073115	Valve Mounting Plate
43	HCH0000250	1/4" x 1/2" NC Hex Nut (13 used)
44	WLK0000250	1/4" Lockwasher (13 used)
45	SCC0000100	1/4" x 1/2" NC Cap Screw (13 used)
46	SCC0000101	1/4" x 3/4" NC Cap Screw (6 used)
47	MNT0073294	Pusher Switch Mount (3 used)
48	WCT0002500	1/4" Flat Washer
49	SMR1021500	10-24 x 1 1/2" Cap Screw (6 used)
50	WIS0001000	1 Inter Star Washer (6 used)
51	WLK0001000	1 Lock Washer (6 used)
52	NCH0001024	10-24 NCH Slotted Screw

TONGUE



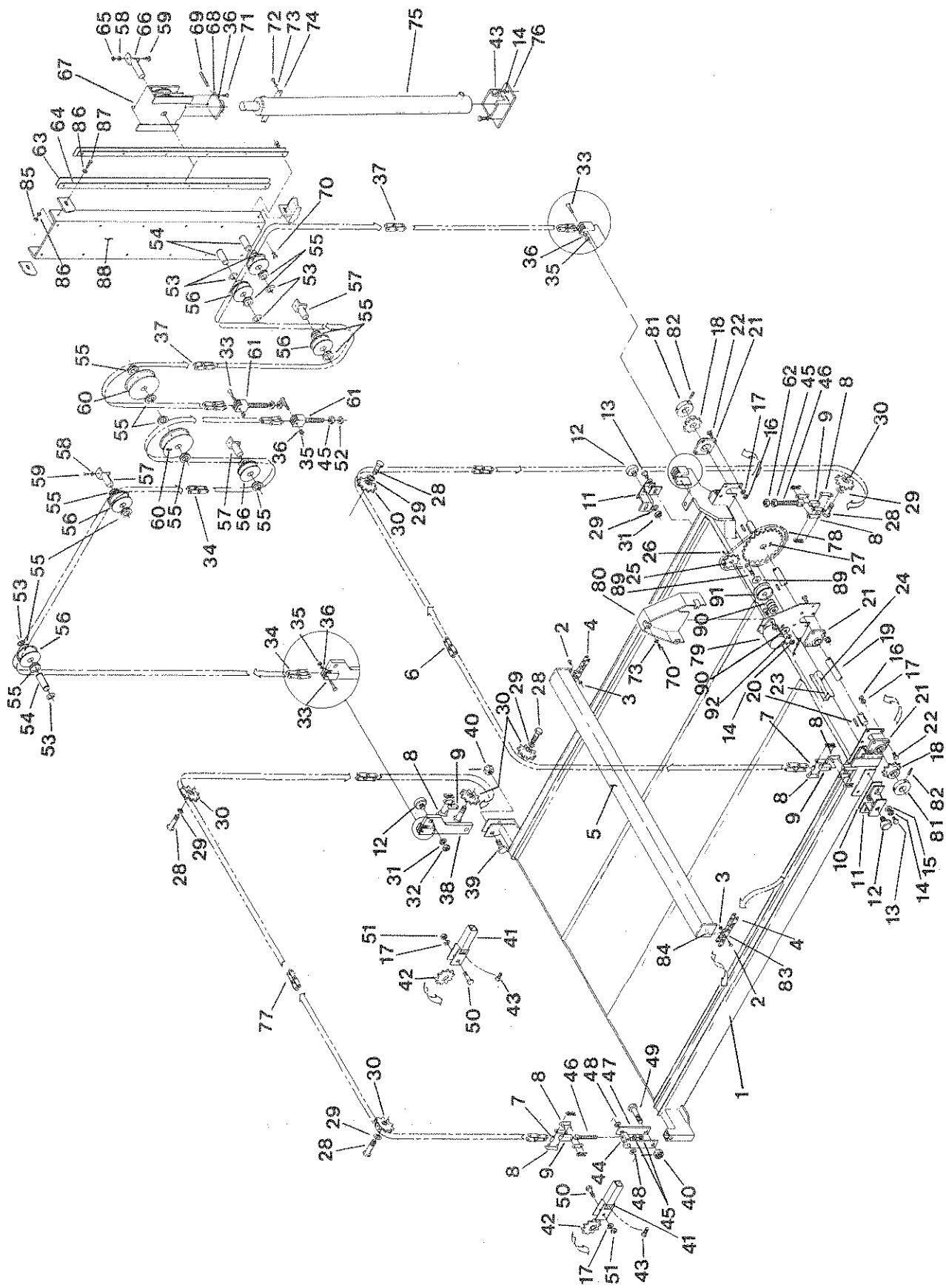
REF. NO.	PART NO.	DESCRIPTION
1	HTH0016914	Hitch Assembly
2	DRB0016915	Drawbar
3	JCK0000158	Jack
4	PIN0073342	Hitch Pin 1" x 7 3/4"
5	WCT0100000	1" Flat Washer
6	COT0000703	Hair Pin Cotter Key 5/32" x 1 1/2"
7	PIN0073343	Hitch Pin 1" x 8 1/2"
8	F 0000183	Front End Hitch
9	SCC0070004	5/8" x 2 1/2" NC Cap Screw (5 used)
10	NCE0002625	5/8" NC Lock Nut (5 used)
11	STN0007650	Leg Standard
12	STN0004941	Control Stand, Standard
13	STN0007652	Mounting Base Angle
14	F 0001018	Mounting Base Plate
15	SMS000177	5/16" x 1" NC Whiz Lock Cap Screw (2 used)
16	WCT0003125	5/16" Flat Washer (4 used)
17	NMS0000117	5/16 NC Whiz Lock Nut (2 used)
18	SCC0030002	3/8" x 1" NC Cap Screw (3 used)
19	WLK0003750	3/8" Lock Washer (3 used)
20	NCH0003750	3/8" NC Hex Nut (3 used)
21	F 0001020	3/8" x 1" Clevis Pin
22	F 0001019	Hair Pin Cotter Key
23	SCC0000517	1/2" x 5 1/2" NC Cap Screw
24	WCT0005000	1/2" Flat Washer (2 used)
25	HGR0016785	Hydraulic Hose Hanger
26	NCE0000500	1/2" NC ESNA Nut
27	HTH0007562	Bulldog Ball Hitch

BALE RETAINER BAR and INDEX PADDLE



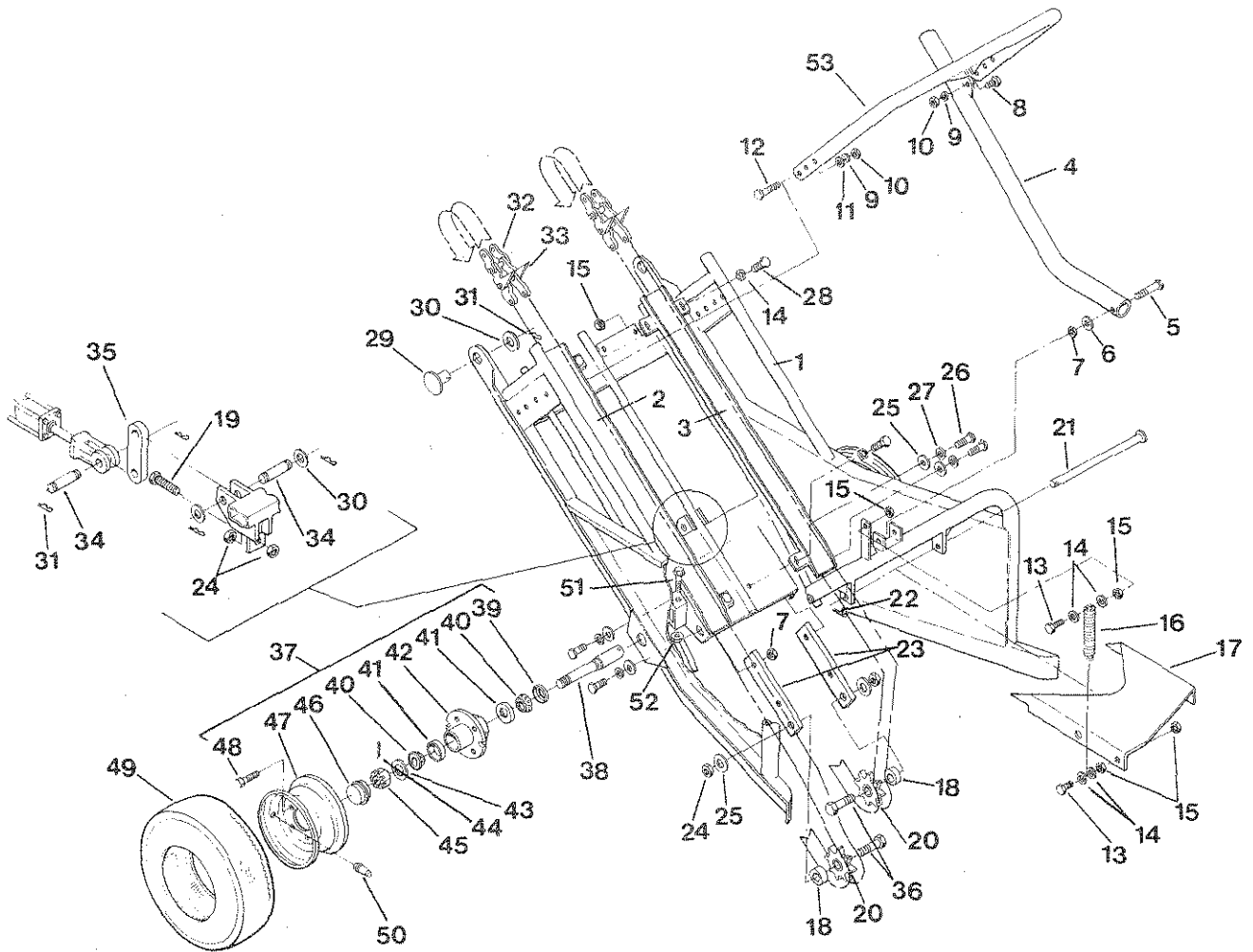
REF. NO.	PART NO.	DESCRIPTION
1	RTN0016912	Upper Bale Retainer Assembly
2	SCC0000510	1/2" x 3" NC Cap Screw (4 used)
3	MNT0073112	Pipe Bushing Mount
4	WLK0005000	1/2" Lock Washer
5	NCJ0005000	1/2" NC Jam Nut
6	NCH0005000	1/2" NC Hex Nut
7	SQS5004500	1/2" x 4 1/2" Square Head Set Screw
8	SCC0000505	1/2" x 1 3/4" NC Cap Screw (2 used)
9	WCT0005000	1/2" Flat Washer (2 used)
10	RTN0016913	Lower Bale Retainer Assembly
11	CLV0120018	Cylinder Pin 1/2" x 1 1/2"
12	F 0006724	Dukes Cylinder WFC1506
13	PDL0016798	Index Paddle
14	ARM0016800	Secondary Index Paddle Arm (2 used)
15	ARM0016799	Primary Index Paddle Arm Assembly
16	SQS5003000	1/2" x 3" Square Head Set Screw
17	SCC0000302	3" x 1" NC Cap Screw (2 used)
18	WCT0003750	3/8" Flat Washer (6 used)
19	WLK0003750	3/8" Lock Washer (9 used)
20	NCH0003750	3/8" NC Hex Nut (10 used)
21	SMR0000302	3/8" x 1 1/2" NC Round Head (2 used)
22	F 0 0000440	Ferrule (4 used)
23	SCC0000304	3/8" x 1 1/2" NC Cap Screw (2 used)
24	F 0 0000747	Spring
25	WAS0500875	1/2" Shims (8 used)

• Seal Kit for WFC15006 Dukes Cyl.



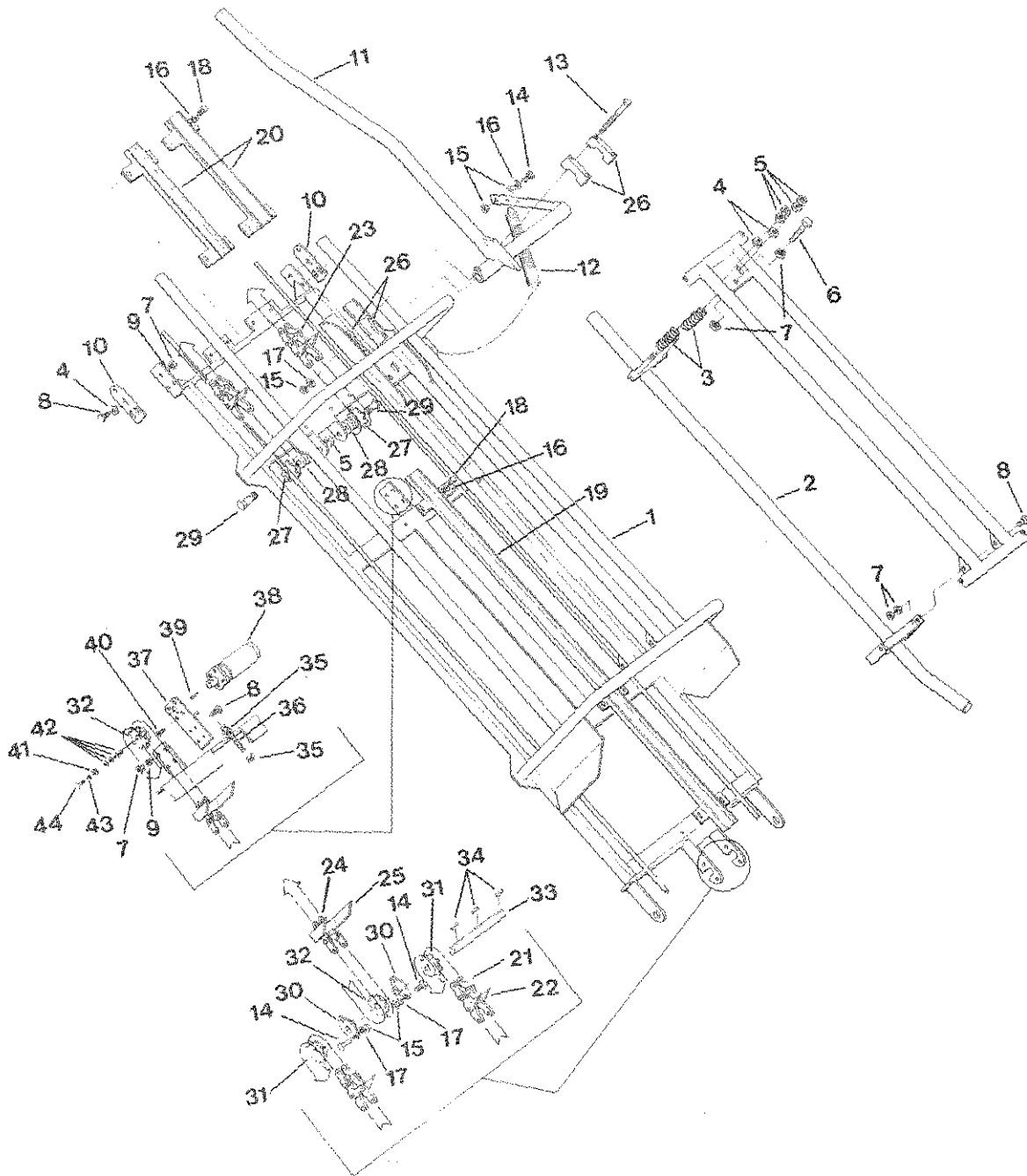
BED and PUSH OFF BAR

REF. NO.	PART NO.	DESCRIPTION	REF. NO.	PART NO.	DESCRIPTION
1	BED0073275	Bed	45	NFH0007500	3/4" NF Hex Nut
2	SCC0080204	5/16" x 1 1/2" NC Grade Cap Screw	46	07-123	Chain Anchor Bolt 8
3	NCE0000313	5/16" NC Esna Nut	47	PLT0073227	Rear Chain To Bed Plate (2 used)
4	CHN0080263	80H, Push Off Bar Chain, 263 Pitch (2 used)	48	WCT0007500	3/4" Flat Washer
5	BAR0073345	Push Off Bar Assembly	49	PIN0016958	Pin, Bed To Chain Bracket Mount
6	CHN0080334	80H, Forward Cross Chain, 334 Pitch	50	SCC0000709	5/8" x 2 3/4" NC Cap Screw (2 used)
7	CHN0070024	Roller Master Link	51	NCE0000625	5/8" NC Esna Nut
8	CNK0002008	Heavy Connecting Link (M-12080)	52	NFJ0007500	3/4" NF Jam Nut
9	CHN0073024	Chain Pivot Mount (4 used)	53	06-119	Snap Ring (6 used)
10	SHM0073233	Shim (4 used)	54	14-108	Pin, Chain Idler Pulley (3 used)
11	MNT0073043	Bed Roller Mount (2 used)	55	02-115	Roller Bearing, 306SZZMRC (16 used)
12	F 0001636	Roller	56	14-107	Idler Roller (6 used)
13	SCC0000502	1/2" x 1" NC Cap Screw (4 used)	57	PIN7321903	Roller Pin (3 used)
14	NCH0005000	1/2" NC HEX Nut	58	WLK0003125	5/16" Lock Washer
15	WCT0005000	1/2" Flat Washer	59	SCC0000202	5/16" x 1" NC Cap Screw
16	NCE0000500	1/2" NC Esna Nut	60	ROL0010182	Roller, Cylinder Head
17	WLK0005000	1/2" Lock Washer	61	14-104	Anchor Bolt, Bed Lift Chain, (2 used)
18	05-260	Sprocket, 60B15, 1 3/8" Bore (2 used)	62	CHN0002006	M-1 Attachment Link (2 used)
19	SHF0073285	Push Off Drive Shaft	63	BAR0073287	Cylinder Head Guide Bar
20	ZZ 0000412	3/8" x 2" Key Stock	64	BAR0073288	Cylinder Head Guide Bar
21	02-154	1 3/8" Fafnir Bearing RCJC (3 used)	65	NCE0000313	5/16" NC Esna Nut
22	SCC0000504	1/2" x 1 1/2" NC Cap Screw	66	PIN7321901	Cylinder Head Pin
23		10-24 x 1/2" Self Tapping Screw (2 used)	67	MNT0073191	Cylinder Head Roller Mount
24	CVR0073183	Bed Terminal Block Cover	68	MNT0016865	Cylinder Shaft Mount
25	SPK0060154	Sprocket, 60B15, 1 1/4" Bore 5/16" Keyway	69	STS3751500	3/8" x 1 1/2" Screw Socket Set
26	ZZ 0000428	5/16" x 5/16" x 1" Key	70	SCC0000102	1/4" x 1" NC Cap Screw
27	SPK0060048	Sprocket, 60B48, 1 3/8" Bore 3/8" Keyway	71	STS5000500	1/2" x 1/2" Allen Screw
28	SCC0000812	3/4" x 3 1/2" NC Cap Screw	72	SCC0000202	5/16" x 1" NC Cap Screw (2 used)
29	WLK0007500	3/4" Lock Washer	73	WLK0003125	5/16" Lock Washer
30	SPK0073349	Idler Sprocket, With Bearing	74	STR0073341	Cylinder Support Strap
31	NFE0007500	3/4" NF Esna Nut	75	CYL0073188	Hypower Cylinder, LCA4x54SP
32	NCH0003750	3/8" NC Hex Nut	76	MNT0016868	Cylinder Base Mount
33	14-110	Bolt Chain Connector	77	CHN0080332	80H, Rear Cross Chain, 332 Pitch
34	CHN0080313	80H, Rear Lift Chain, 313 Pitch	78	CHN0006062	60 STD, Push Off Motor Chain, 62 Pitch
35	NCE0000375	3/8" NC Esna Nut	79	MTR1041026	Hydraulic Motor, Charlynn 104-1026 2000 Series
36	WLK0003750	3/8" Lock Washer	80	SHD0073186	Pusher Sprocket & Motor Shield
37	CHN0080245	80H, Forward Lift Chain, 245 Pitch	81	ZZ 0002020	3" Set Collar
38	BKT0073296	Rear Bed Chain Hanger	82	STS2500375	1/2" x 3/8" Screw Socket Set
39	PIN0016952	Pin, Rear Bed To Chain	83	CNK0002008	Heavy Connecting Link (M-12080)
40	NFC0010000	1" NC Castellated Nut (2 used)	84	BSH0010133	Bushing
41	CHN0073055	Bed Chain Tightener Assembly (2 used)	85	NCH0003750	3/8" NC Hex Nut (4 used)
42	SPK0073349	8 Tooth Idler Sprocket With Bearing (8 used)	86	WCT0003750	3/8" Flat Washer (4 used)
43	SCC0000502	1/2" x 1" NC Cap Screw	87	SCC0000302	3/8" x 1" NC Cap Screw (4 used)
44	CHN0073228	Rear Chain To Swivel Mount	88	GUD0073016	Cylinder Head Guide
			89	SCC0000509	1/2" x 2 3/4" NC Cap Screw
			90	WCT0005000	1/2" Flat Washer (6 used)
			91	F 0000883	Idler Pulley
			92	WLK0005000	1/2" Lock Washer
				SEL0000453	Seal Kit KL4, 1.75 Rod



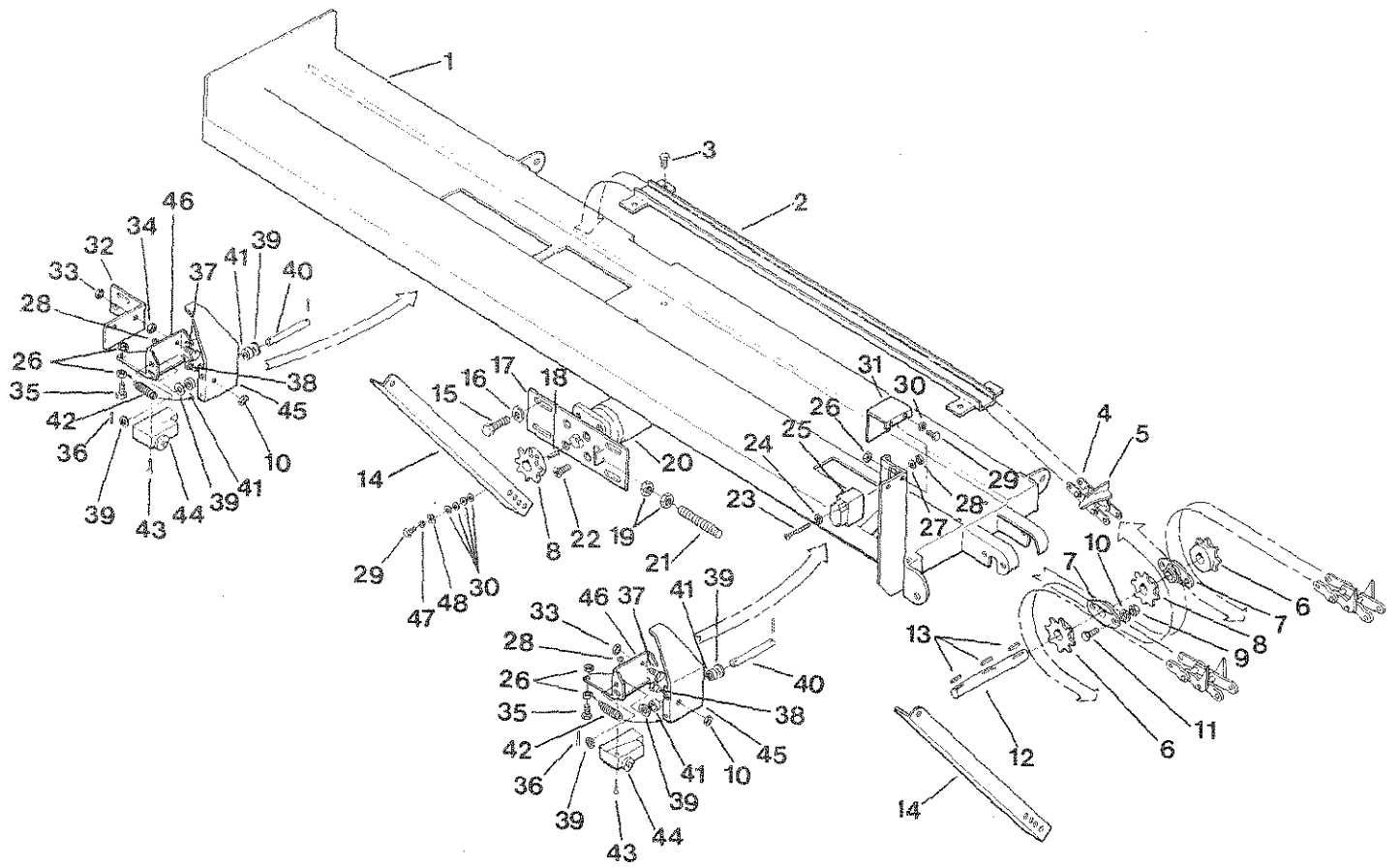
PICK UP CHUTE

REF. NO.	PART NO.	DESCRIPTION
1	PUP0073268	Pickup Chute Frame
2	TRK0016728	Pickup Chute Track (LH)
3	TRK0016765	Pickup Chute Track (RH)
4	PUP0073259	Bale Chute Hold Down Bar
5	SCC0000510	1/2" x 3" NC Cap Screw
6	ZZ 0000210	1/2" Washer, 14 GA Shim
7	NCE0000500	1/2" NC Esna Nut (5 used)
8	SCC0000303	3/8" x 1/4" NC Cap Screw
9	WLK0003750	3/8" Lock Washer (2 used)
10	NCE0003750	3/8" NC Esna Nut (2 used)
11	WCT0003750	3/8" Flat Washer (? used)
12	SCC0000306	3/8" x 2" NC Cap Screw
13	SCC0000204	5/16" x 1 1/2" NC Cap Screw (2 used)
14	WCT0003125	5/16" Flat Washer (10 used)
15	NCE0003125	5/16" NC Esna Nut (10 used)
16	F 0000747	Spring
17	10-144	Bale Check
18	F 0000172	3/4" Set Collar (2 used)
19	SCC0000814	3/4" x 4" NCHT Cap Screw
20	SPK0008039	7 Tooth Idler Sprocket With Bearing (2 used)
21	10-145	Pickup Bale Check Pin
22	F 0001019	Hairpin Cotter Key
23	MNT0073261	Chute Sprocket Slide Mount
24	NCE0000750	3/4" NC Esna Nut (4 used)
25	ZZ 0000220	3/4" Washer, 10 GA Shim
26	SCC0000504	1/2" x 1 1/2" NC Cap Screw (4 used)
27	WCT0000500	3/4" Flat Washer (4 used)
28	SCC0000201	5/16" x 3/4" NC Cap Screw (6 used)
29	PIN7321905	Elevator to Chute Pin (2 used)
30	WCT0100000	1" Flat Washer (4 used)
31	COT0000803	3/16" x 1 1/2" Cotter Key (6 used)
32	CHN73181-1	Chain, Pickup Chute (2 used)
33	CA550-M-10	Attachment
34	PIN0000105	1" x 3" Clevis Pin (2 used)
35	LNK0073249	Chute to Cylinder Link
36	SCC0000810	3/4" x 3" NC Cap Screw (2 used)
37	BRG1040348	Wheel Hub and Bearing Assembly
38	SPN0010412	Wheel Spindle R104BT12
39	SEL0034823	Bearing Seal
40	BRG0044643	Bearing Timken VL44643
41	CUP0044610	Bearing Cup
42	HUB0000348	Hub Wheel
43	ZZ 0000223	1" x 1 1/2" x 14 GA Washer
44	COT0000502	1/8" x 1" Pin Cotter
45	NFC0001000	1" NC Castle Nut
46	CAP0046749	Hub Cap
47	WHL0412530	Wheel Only AA 412530
48	SMS0005393	Wheel Bolt (8 used)
49	WHL0401530	Wheel and Tire Assembly AB 401530, Tire 4.80 x 8
50	19-109	Valve Stem
51	SMS0000306	1/4" x 1 3/4" NC Whiz Lock
52	NMS0000251	1/4" NC Whiz Lock Nut
53	10-149	Rear Pipe Assembly



ELEVATOR

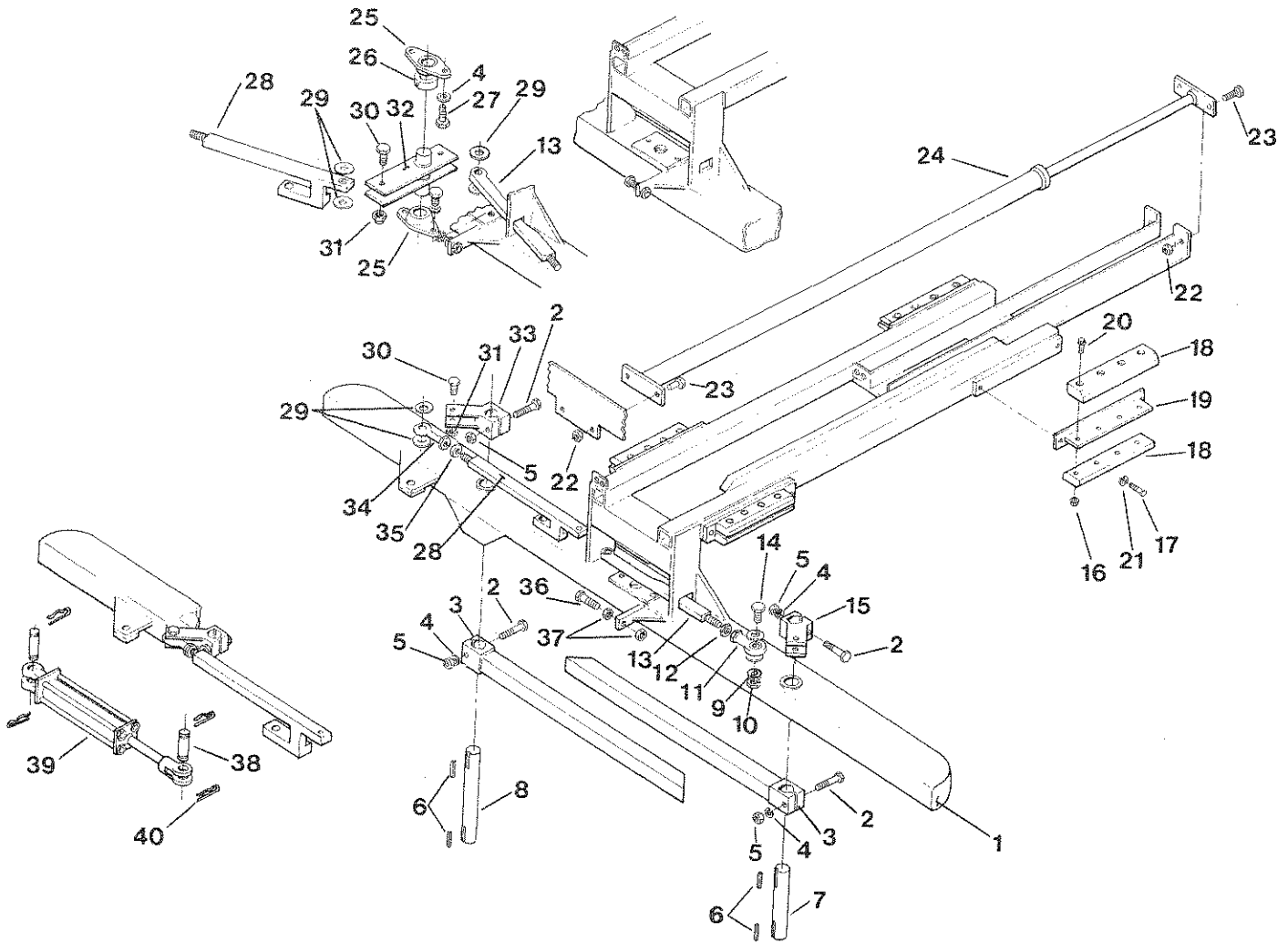
REF. NO.	PART NO.	DESCRIPTION
1	ELV0016680	Elevator Frame Only
2	BAR0073142	Elevator Bale Hold Down Bar
3	SPG0073238	Elevator Hold Bale Down Bar Spring (2 used)
4	WCT0007500	3/4" Flat Washer (8 used)
5	NCE0000750	3/4" NC Esna Nut (6 used)
6	SCC0000312	3/8" x 3 1/2" NC Cap Screw
7	NCE0000375	3/8" NC Esna Nut (16 used)
8	SCC0000302	3/8" x 1" NC Cap Screw (12 used)
9	WLK0003750	3/8" Lock Washer (10 used)
10	MNT0073145	Elevator Upper Mount (2 used)
11	ARM0073299	Elevator Hold Down Arm
12	SPG0017227	1/32" Wire, 1 1/2"OD, 14"Long Spring
13	SCC0000214	5/16" x 4" NC Cap Screw (4 used)
14	SCC0000204	5/16" x 1 1/2" NC Cap Screw (5 used)
15	NCE0000313	5/16" NC Esna Nut (10 used)
16	WCT0003125	5/16" Flat Washer (21 used)
17	WLK0003125	5/16" Lock Washer (8 used)
18	SCC0000201	5/16" x 3/4" NC Cap Screw (14 used)
19	TRK0073154	Elevator Track
20	TRK0016677	Upper Elevator Chain Tracks (2 used)
21	CHN73181-1	Chain, Pickup Chute 550, 61 Pitch
22		Attachment Tooth, CA550-M-10
23	CHN73181-0	Chain, Upper Elevator 550, 39 Pitch
24	CHN73180-1	Chain Attachments, C2060, 105 pitch, 17 K-1
25	CHN0073150	Chain Tooth (17 used)
26	MNT0073135	Pipe Mount Bushing (4 used)
27	SPK0008039	7 Tooth Idler Sprocket With Bearing (2 used)
28	F 0000172	3/4" Set Collar (8 used)
29	SCC0000810	3/4" x 3" NCHT Cap Screw (2 used)
30	02-104	Bearing, 1" Flange, Fafnir
31	SPK0003092	8 Tooth Sprocket 550 (2 used)
32	SPK0060172	Sprocket, 1" Bore, 1 1/4" Keyway
33	SHF0073076	Elevator Drive Shaft
34	ZZ 0000448	1/4" x 2" Key (2 used)
35	NCH0005000	1/2" Hex Nut
36	F 0000073	1/2" x 4" Set Screw, Square Head
37	MNT0073148	Motor Mount Bracket
38	MTR00RSAKI	Hydraulic Motor, White
39	ZZ 0000405	1/4" x 1 1/2" Woodruff Key For Motor
40	SCC0000301	3/8" x 3/4" FH Socket Cap Screw (4 used)
41	F 0001002	Conical Washer
42	WCT0000250	1/4" Flat Washer (4 used)
43	WLK0000250	1/4" Lock Washer
44	SCC0000101	1/4" x 3/4" NC Cap Screw



BALE TABLE

REF. NO.	PART NO.	DESCRIPTION
1	FRM0016916	Upper Bale Table Frame
2	TRK0016931	Elevator Chain Track
3	SCC0000201	5/16" x 3/4" NC Cap Screw (4 used)
4	CHN0073008	Upper Table Chain Tooth (14 Tooth used)
5	CHN7318000	Table Chain, C2060 86 Pitch 21 K-1 Attachment
6	SPK0003092	Sprocket, 8 Tooth, 550 (2 used)
7	02-104	Bearing " Flange-Fafnir (2 used)
8	SPK0060172	Sprocket, 1" Bore 1 1/4" Keyway (2 used)
9	NCE0000313	5/16" NC Esna Nut (4 used)
10	WLK0003125	5/16" Lock Washer
11	SCC0000204	5/16" x 1 1/2" NC Cap Screw (4 used)
12	SHF0073076	Elevator Drive Shaft
13	ZZ 0000448	1/4" x 2" Key (3 used)
14	SUP0073075	Table to Wagon Support (2 used)
15	SCC0000303	3/8" x 1 1/4" NC Cap Screw (4 used)
16	WCT0003750	3/8" Flat Washer (4 used)
17	MNT0073072	Motor Mount
18	ZZ 0000405	1/4" x 1 1/2" Woodruff Key, For Motor
19	NCE0000500	1/2" NC Hex Nut (2 used)
20	MTR00RSAKI	Hydraulic Motor, White
21	F 0000073	1/2" x 4" Square Head Set Screw
22	SCO0000301	3/8" x 3/4" FH Socket Cap Screw (4 used)
23	SMR1030250	10-32 x 2 1/2" Machine Screw
24	WCT0001032	10-32 Flat Washer (2 used)
25	ELC0005105	Electronic Eye Receiver
26	NCE0000250	1/4" NC Esna Nut (6 used)
27	WLK0001032	10-32 Lock Washer
28	HFH0010320	10-32 NF Hex Nut
29	SCC0000101	1/4" x 3/4" NC Cap Screw (4 used)
30	WCT0000250	1/4" Flat Washer (5 used)
31	SHD0014522	Electric Eye Shield
32	BKT0073077	Switch Mount Bracket
33	NCE0000375	3/8" NC Esna Nut (4 used)
34	NCH0003750	3/8" NC Hex Nut (2 used)
35	SCC0000102	1/4" x 1" NC Cap Screw (2 used)
36	COT0000502	1/4" x 1" Cotter Key (4 used)
37	SCC0000302	3/8" x 1" NC Cap Screw (4 used)
38	SCC0000202	5/16" x 1" NC Cap Screw (2 used)
39	WCT0003750	3/8" Flat Washer (4 used)
40	11-260	Actuator Pivot Pin (2 used)
41	ZZ 0002016	3/8" Set Collar
42	F 0000278	Spring (2 used)
43	SMR1031500	10-32 x 1 1/2" Machine Screw (4 used)
44	03-158	Limit Switch (2 used)
45	ACT0073458	Limit Switch Actuator
46	11-258	Limit Switch Actuator Bracket
47	WLK0000250	1/4" Lock Washer
48	F 0001002	Conical Washer

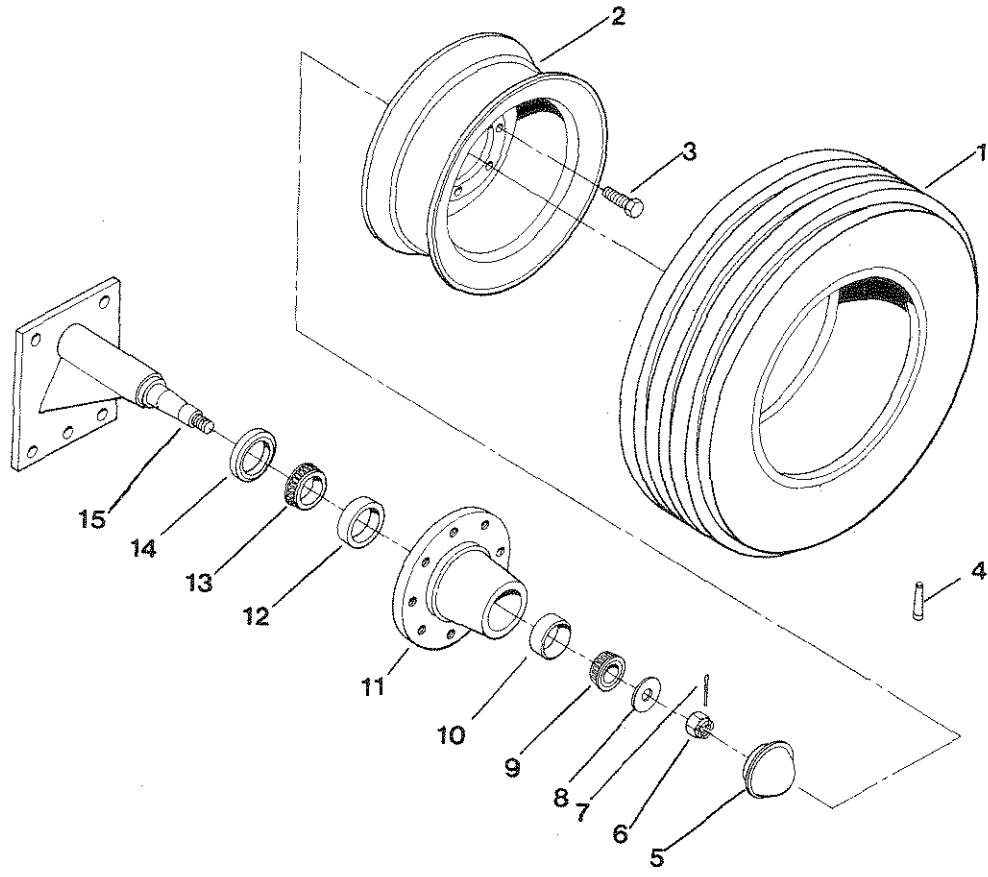
PUSHER



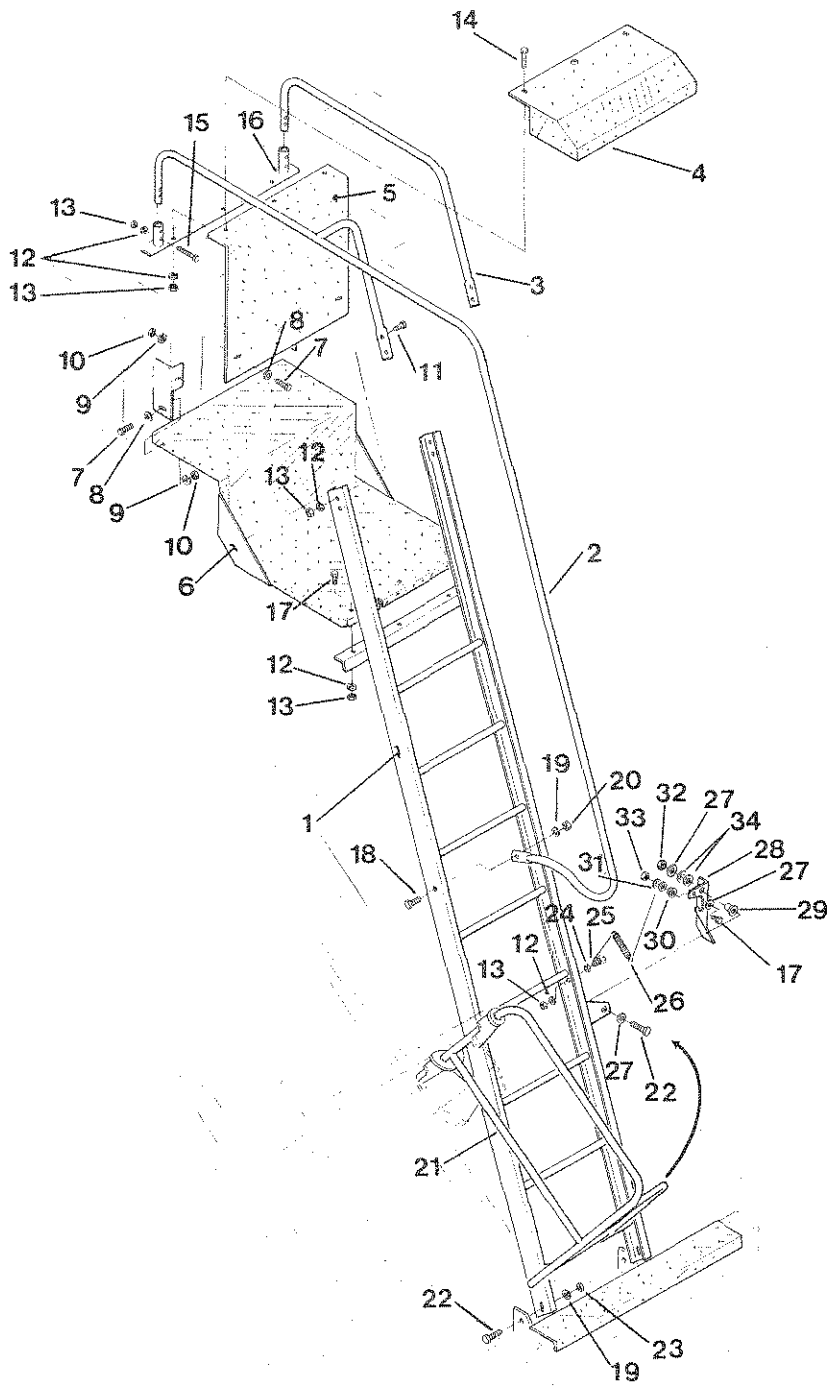
REF. NO.	PART NO.	DESCRIPTION
1	PUS0073472	Pusher Frame
2	SCC0000309	3/8" x 2 3/4" NC Cap Screw (4 used)
3	ARM0073402	Tie Arm (2 used)
4	WLK0003750	3/8" Lock Washer (4 used)
5	NCH0003750	3/8" NC Hex Nut (4 used)
6	ZZ 0000413	3/8" x 3/8" x 1 Key (4 used)
7	SHF0073003	Tie Arm Shaft
8	SHF0073002	Tie Arm Shaft Long
9	WLK0007500	3/4" Lock Washer
10	NCH0007500	3/4" NC Hex Nut
11	F 0001549	Drive Rod End RH Thread
12	NFJ0007500	3/4" NF Jam Nut
13	LEV0073189	Tie Arm Lever
14	SCC0000808	3/4" x 2 1/2" NC Cap Screw
15	LEV0073322	Front Tie Arm Lever
16	NMS0000250	1/4" NC Whiz Lock Nut (16 used)
17	SCC0000302	3/8" x 1" NC Cap Screw (8 used)
18	SRP0016794	Pusher Guide Pad Wear Strip (8 used)
19	MNT0016827	Wear Strip Mount Assy (4 used)
20	SMS0000305	1/4" x 1" NC Whiz Lock Cap Screw (16 used)
21	WLK0003750	3/8" Lock Washer (8 used)

REF. NO.	PART NO.	DESCRIPTION
22	NCE0000500	1/2" NC Esna Nut
23	SCC0000505	1/2" x 1 3/4" NC Cap Screw (4 used)
24	CYL0017568	HyPower LC-17.5x68 SP
25	BRG1062138	FYTP 106-2, 1 3/8" Shaft Bearing SKF (2 used)
26		Lock Collar F/Bearing (1 3/8)
27	SCC0000503	1/2" x 1 1/4" NC Cap Screw (4 used)
28	LEV0073196	Rear Tie Arm Lever
29	WCT0005000	1/2" Flat Washer
30	SCC0000506	1/2" x 2" NC Cap Screw (4 used)
31	NCX0005000	1/2" NC Lock Nut
32	BLT0073319	Tie Arm Pivot
33	LEV0073323	Rear Tie Arm Lever
34	F 0005992	Rod End 1/2" RH TM-8N
35	NFJ0005000	1/2" NF Jam Nut
36	SCC0000808	3/4" x 2 1/2" NC Cap Screw
37	NCH0007500	3/4" NC Hex Nut (2 used)
38	06-122	Clevis Pin
39	CYL0004966	Hydraulic Cylinder
•	SEL0017568	Seal Kit for F/17568
••	SEL3105034	Seal Kit for F/CYL4966

SPINDLE and WHEEL

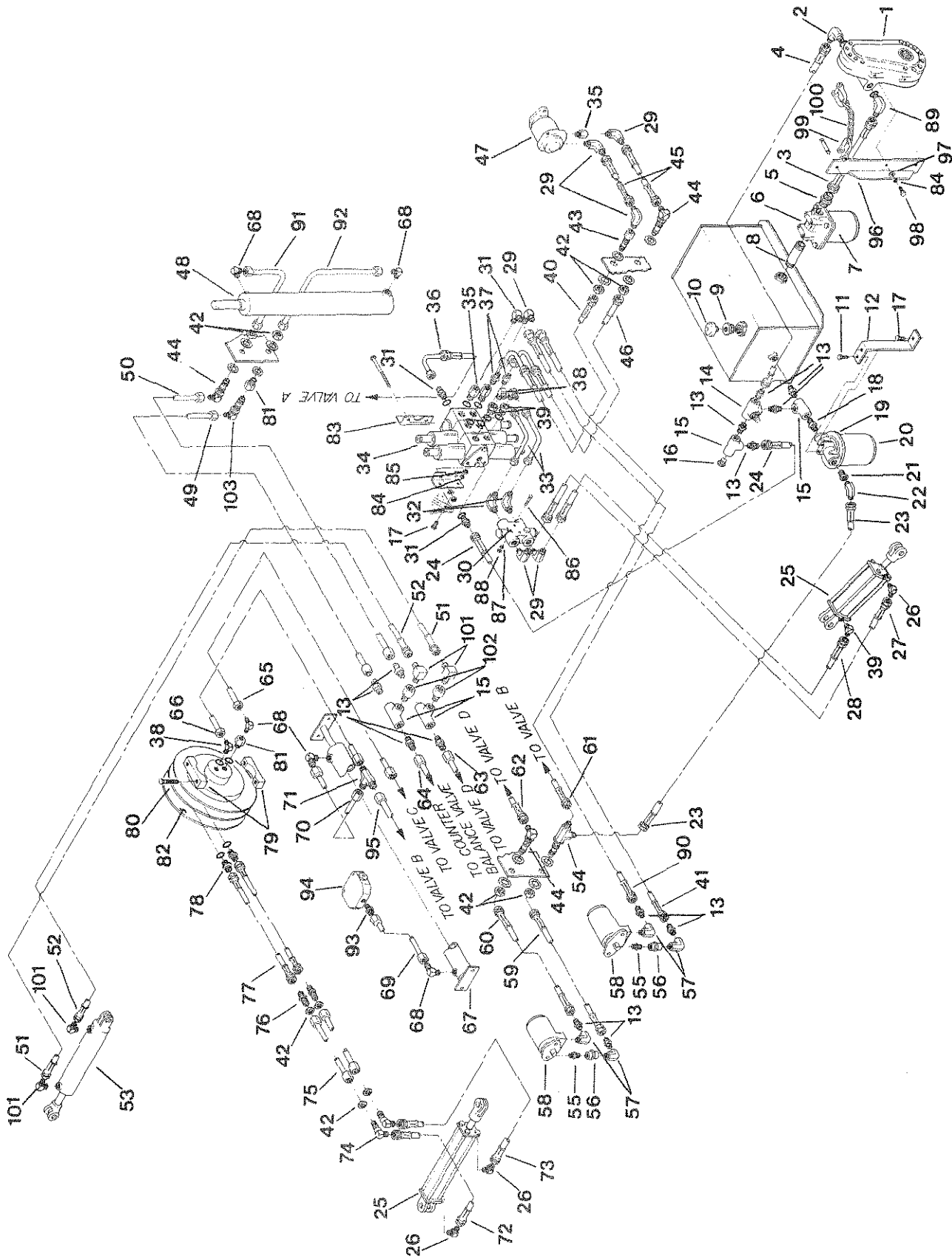


REF. NO.	PART NO.	DESCRIPTION
1	TIR2151614	Rib Implement Tire, 21.5x16.1 (2 used)
2	WHL0503758	Wheel (2 used)
3	21-108	Lug Bolt, 0616460 (18 used)
4	21-113	Valve Stem (2 used)
5	19-109	Hub Cap (2 used)
6	17-218	7/8" NF Castellated Nut (2 used)
7	COT0000503	1/8" x 1 1/4" Cotter Key (2 used)
8	21-179	Washer, Spindle
9	02-126	Outer Bearing Cone, 2790 (2 used)
10	02-125	Outer Bearing Cup, 2729 (2 used)
11	21-107	Hub With Cups, 0206414 (2 used)
12	02-124	Inner Bearing Cup, 3720 (2 used)
13	02-123	Inner Bearing Cone, 3780 (2 used)
14	02-122	Grease Seal, 0204998 (2 used)
15	SPN0073052	Spindle Mount



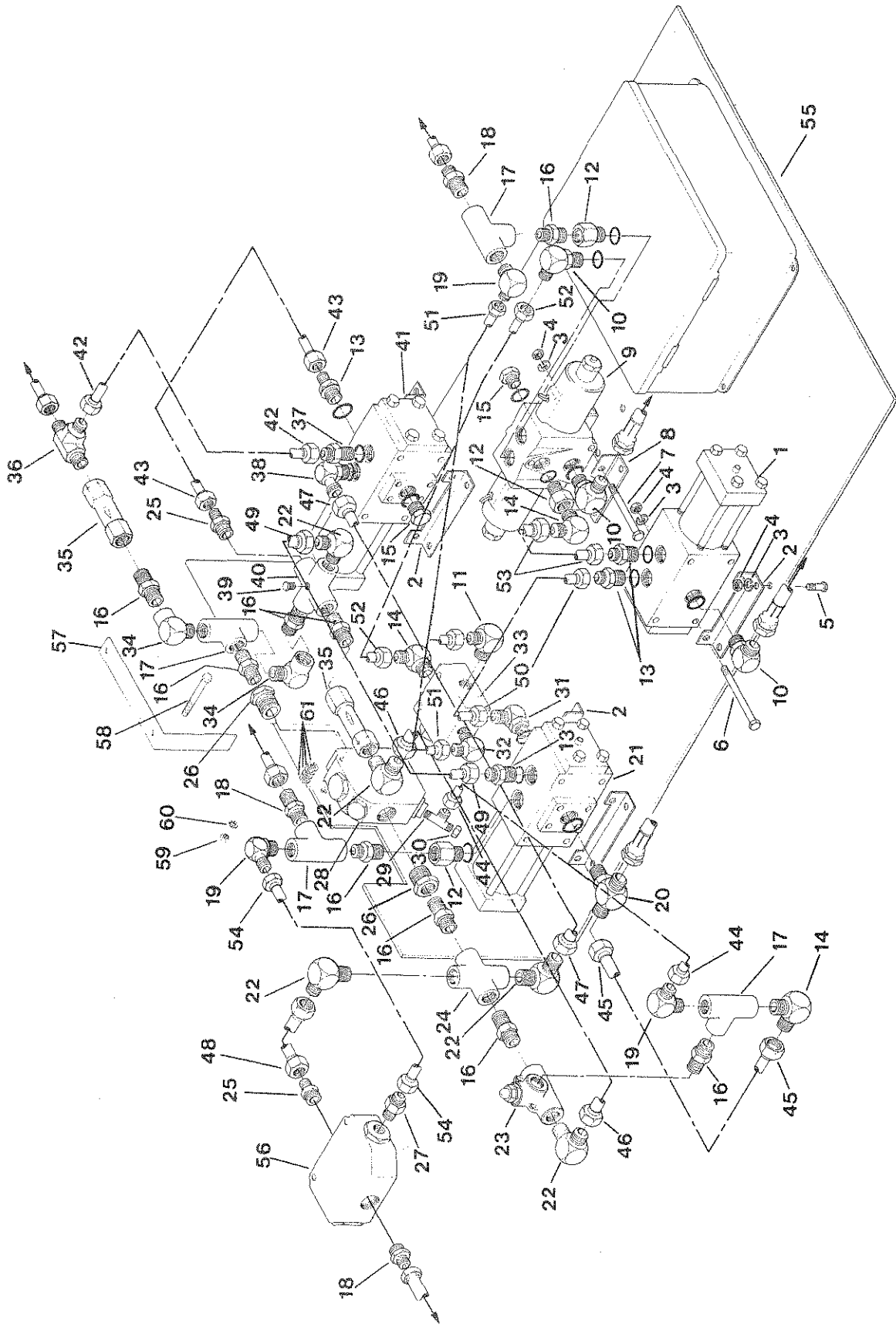
LADDER and SAFETY PLATFORM

REF. NO.	PART NO.	DESCRIPTION
1	LDR0016768	Ladder Assy
2	RAL0016772	RH Hand Rail
3	RAL0016777	LH Hand Rail
4	CVR0016816	Stack Valve Cover
5	MNT0016779	Valve Mounting Plate
6	FLP0016778	Safety Platform
7	SCC0000302	3/8" x 1" NC Cap Screw (4 used)
8	WCT0003750	3/8" Flat Washer (4 used)
9	WLK0003750	3/8" Lock Washer (4 used)
10	NCH0003750	3/8" NC Hex Nut (4 used)
11	SCC0000103	1/4" x 1 1/4" NC Cap Screw (2 used)
12	WLK0000250	1/4" Lock Washer (3 used)
13	NCH0000250	1/4" NC Hex Nut (3 used)
14	SCC0000104	1/4" x 1 1/2" NC Cap Screw (2 used)
15	SCC0000105	1/4" x 1 3/4" NC Cap Screw (2 used)
16	SUP0016807	Rail And Plate, Support Assy
17	SCC0000102	1/4" x 1" NC Cap Screw (3 used)
18	SCC0002003	5/16" x 1 1/4" NC Cap Screw
19	WLK0003125	5/16" Lock Washer
20	NCX0003125	5/16" Flex Lock Nut
21	GAT0016815	Safety Gate Assy
22	SCC0000202	5/16" x 1" NC Cap Screw
23	NCH0003125	5/16" NC Hex Nut
24	NCJ0000250	1/4" NC Jam Nut
25	SCC0000101	1/4" x 3/4" NC Cap Screw
26	F 0000278	Spring
27	WCT0003125	5/16" Flat Washer (3 used)
28	LAT0016809	Safety Gate Latch
29	05-132	Ferrule 5/16"
30	NMS0000250	1/4" Whiz Lock Nut
31	WCT0000250	1/4" Flat Washer (2 used)
32	NCE0000313	5/16" NC Esna Nut
33	NCE0000250	1/4" NC Esna Nut
34	WAS0500875	1/2" Shims (Add as Needed)



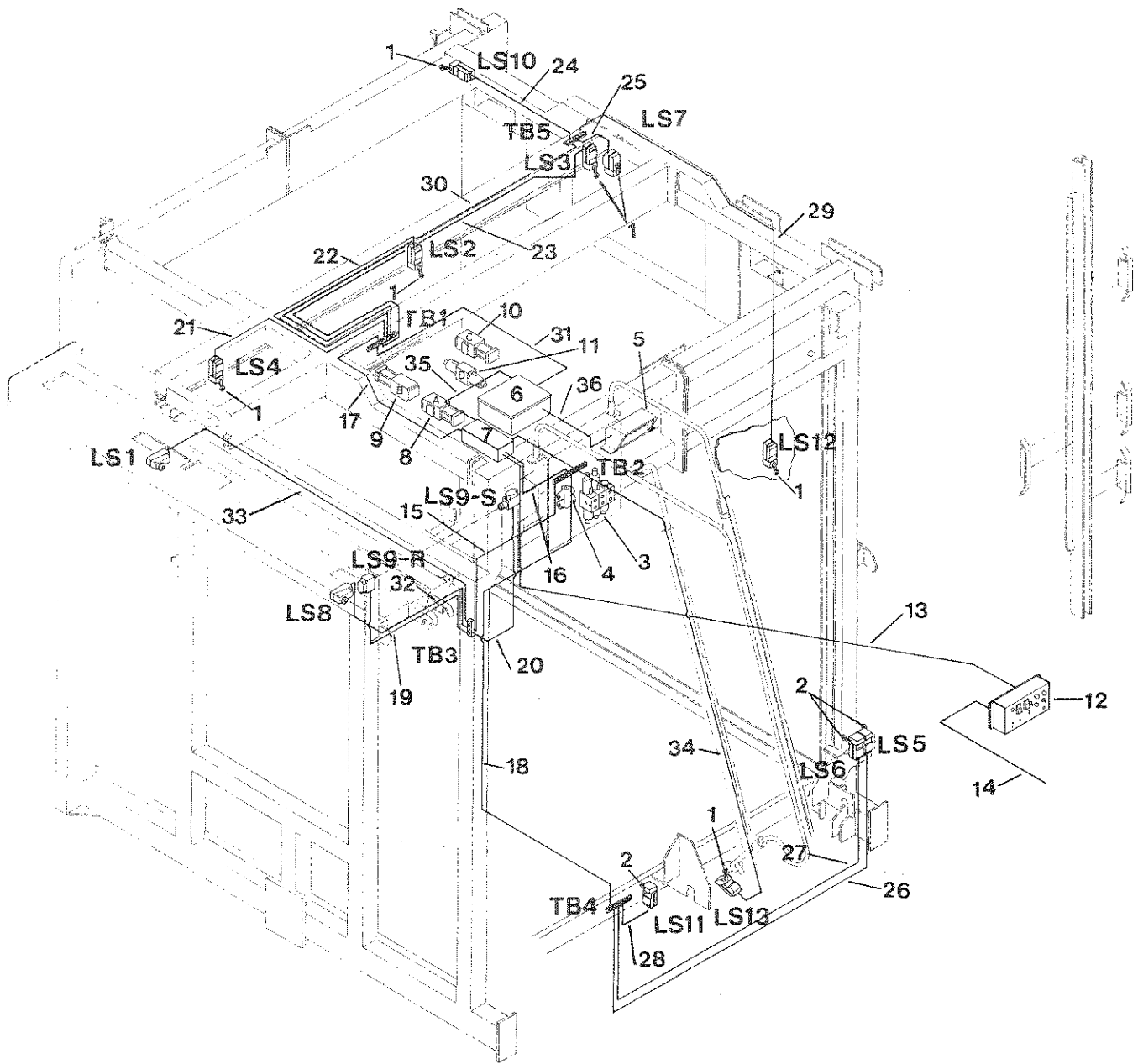
MAIN FRAME HYDRAULICS

REF. NO.	PART NO.	DESCRIPTION	REF. NO.	PART NO.	DESCRIPTION
1	PMP0002000	Pump HCPT02 HC1HCPT02	51	HOS0017006	1/4" Hose 69"
2	HYD5515060	3/4" x 90 Degree Male Elbow	52	HOS0017007	1/4" Hose 62"
		"O" Ring	53	F 0006724	Cylinder, Bale Retainer
3	HOS0016983	1" Hose 12"	54	HYD5726040	Bulkhead Run Tee
4	HOS0016984	1/2" Hose 91"	55	HYD3069040	3/4" x 1/2" Hex Nipple C3069x8
5	HYD5405070	1" Male Connector	56	HYD3309040	1/2" Coupling, C3309x8
6	FIL2016149	Suction Screen, Head and Cam and Element	57	HYD3409040	1/2" x 90 Degree Street Elbow, C3409x8
7	FIL0000377	Element (Screen Only)	58	MTR00RSAKI	Hydraulic Motor, White
8	PPE1000600	1" x 6" Pipe	59	HOS0017015	1/2" Hose 52"
9	HYD3109086	1 1/4" x 3/4" Bushing C3109x20x12	60	HOS0017016	1/2" Hose 56"
10	FT 0000530	Breather Cap	61	HOS0017013	1/2" Hose 76"
11	SCC0000102	1/4" x 1" NC Cap Screw	62	HOS0017014	1/2" Hose 61"
12	BKT0016821	Filter Support Bracket	63	TBE0017000	1/2" Hydraulic Tube
13	HYD5205044	1/2" x 1/2" Male Connector C5205x8x8	64	TBE0017001	1/2" Hydraulic Tube
		Relief Valve 2000 PSI	65	TBE0017005	1/2" Hydraulic Tube
14	01-513	1/2" Tee C3709x8	66	TBE0017004	1/2" Hydraulic Tube
15	HYD3709040	1/2" Plug	67	CYL0017568	Cylinder, LC1.75x68 SP HyPower
16	HYD0723040	3/8" x 1" NC Cap Screw	68	HYD5404044	1/2" x 90 Degree Male Elbow c5404x8x8
17	SCC0000302	1 1/2" x 1/4" Male Connector 5205x24x20	69	TBE0017019	1/2" Hydraulic Tube
18	HYD5205098	Return Filter, Head Canister	70	TBE0017013	1/2" Hydraulic Tube
19	FIL0010710	Element Canister	71	HYD5726040	1/2" Branch Tee, C5726x8
20	FIL0022001	3/4" x 1" Adapter	72	HOS0017010	3/8" Hose 30"
21	HYD3109064	1/2" x 3/4" 45 Degree Male Elbow C5355x8	73	HOS0017011	3/8" Hose 20 1/2"
22	HYD5355046	1/2" Hose 210"	74	HYD5505040	Bulkhead Union Elbow, C5505x8
23	HOS0017012	1/2" Hose 254"	75	TBE0017009	1/2" Hydraulic Tube (2 used)
24	HOS0016985	Hydraulic Cylinder	76	HYD5325040	1/2" Bulkhead Union, C5325x8
25	CYL0004966	3/8" x 90 Degree Male Elbow C5405x6x8	77	HOS0017008	3/8" Hose 82"
26	HYD5405034	3/8" Hose 165"	78	HYD5315034	3/8" x 1/2" Straight Thread Connector "O" Ring C5315x6x8
27	HOS0017017	3/8" Hose 155"	79		Hose Reel Mounts
28	HOS0017018	1/2" x 90 Degree Male Elbow	80	SCC00000504	1/2" x 3" NC Cap Screws (2 used)
29	HYD5405044	Lockout Valve, L050D	81	HYD5275040	1/2" x 3/8" Female Pipe Adapter, Bulkhead
30	F 0006188	90 Degree Elbow C5515x8 "O" Ring	82	REE0646040	Cascade Hose Reel
31	HYD5515040	1/2" x 3/8" x 90 Degree Male Elbow	83	BKT0073081	Valve Mounting Bracket (2 used)
32	HYD5405043	3/8" Hydraulic Tube (2 used)	84	WLK0003750	3/8" Lock Washer (4 used)
33	TBE0016986	Stack Valve Assembly	85	NCH0003750	3/8" NC Hex Nut (4 used)
34	VLV4813132	1/2" Straight Thread Adapter w/"O" Ring	86	SCC0000208	5/16" x 2 1/2" NC Cap Screw (3 used)
35	HYD3269044	1/2" Hose 71"	87	WLK0003125	5/16" Lock Washer (2 used)
36	HOS0016995	"O" Ring Connector C5315x8	88	NCH0003125	5/16" NC Hex Nut (2 used)
37	HYD5315040	3/8" x 1/2" Elbow w/"O" Ring	89	HYD5515070	1" x 90 Degree Male Elbow "O" Ring
38	HYD5515034	3/8" Swivel Adapter Elbow	90	HOS0016993	1/2" Hose 65 1/2"
39	HYD0610606	1/2" Hose 59"	91	TBE0016999	1/2" Hydraulic Tube
40	HOS0016990	1/2" Hose 70 1/2"	92	TBE0016998	1/2" Hydraulic Tube
41	HOS0016994	1/2" Bulkhead Nut	93	HYD5205040	3/8" x 1/2" Male Connector
42	HYD5294040	1/2" Female Bulkhead Connector	94	VLV0001075	Sequence Valve
43	HYD5275040	1/2" x 90 Degree Bulkhead Union Elbow	95	TBE0017002	1/2" Hydraulic Tube
44	HYD5525040	1/2" Hose 89"	96	BAR0073224	Pump Anchor Bar
45	HOS0016992	1/2" Hose 59"	97	WCT0003750	3/8" Flat Washer (2 used)
46	HOS0016991	Pusher Cylinder Motor 104-1026, A5K Charlynn 2000	98	SCC0000304	3/8" x 1 1/4" NC Cap Screw (2 used)
47	MTR1041026	Hypower Cylinder, LCA4x54 SP	99	06-108	3/16" Clevis SWL1/3T
48	CYL0000454	1/2" Hydraulic Tube	100	CHN0020000	Passing Link 2/0-24
49	TBE0016996	1/2" Hydraulic Tube	101	HYD5405023	1/4" x 3/8" 90 Degree
50	TBE0016997	1/2" Hydraulic Tube	102	HYD3109034	3/8" x 1/2" Steel Bushing
			103	HYD5405040	1/2" 90 Degree Male Elbow



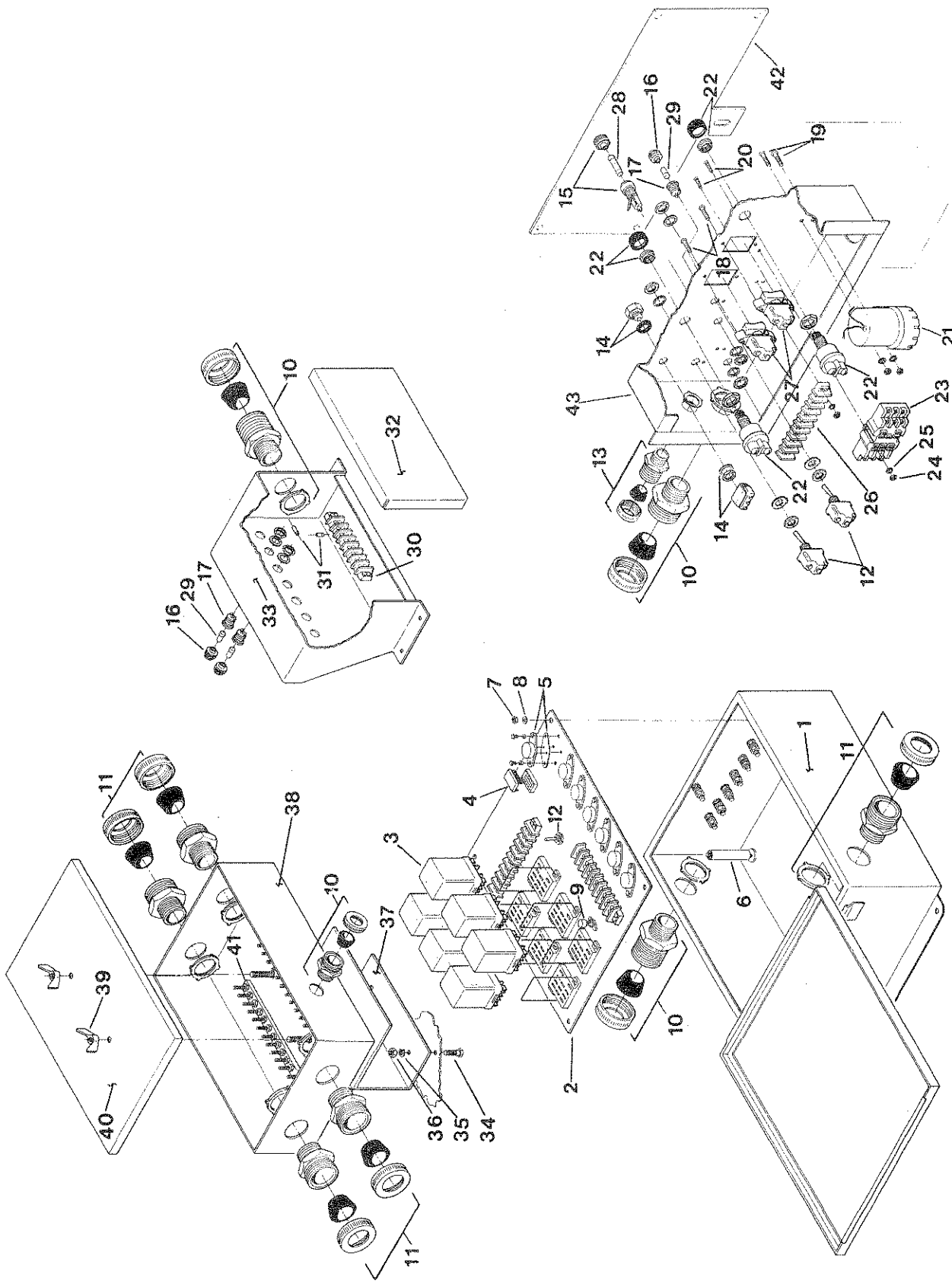
MAIN HYDRAULIC PANEL

REF. NO.	PART NO.	DESCRIPTION	REF. NO.	PART NO.	DESCRIPTION
1	VLV4951184	Valve A, Deck Chains	28	VLV0001075	Sequence Valve
	ELC0015019	Solenoid Coil Only	29	HYD5755032	3/8" x 1/4" Male Run Tee
2	BKT0073082	Valve Mounting Bracket (6 used)	30	HYD5129030	3/8" Cap Jic
3	WLK0003750	3/8" Lock Washer (24 used)	31	HYD5515050	5/8" x 90 Degree Straight Thread Elbow "O" Ring
4	NCE0000375	3/8" NC Esna Nut (24 used)			
5	SCC0000302	3/8" x 1" NC Cap Screw (16 used)	32	HYD5405030	3/8" x 90 Degree Elbow Jic
6	SCC0000313	3/8" x 3 3/4" NC Cap Screw (6 used)	33	VLV0000006	Counter Balance Valve
			34	HYD3409040	1/2" x 90 Degree Steel Street Elbow (2 used)
7	SCC0000311	3/8" x 3 1/4" NC Cap Screw (2 used)	35	F 0006657	1/2" Check Valve (2 used)
8	BKT0073081	Valve Mounting Bracket (2 used)	36	HYD5755444	1/2" x 1/2" x 1/2" Male Run Tee
9	VLV0004813	Double Thread Solenoid Valve 4813-12VDC, Bed	37	HYD5315040	1/2" Straight Thread Connector "O" Ring
10	HYD5515040	1/2" x 90 Degree Elbow "O" Ring (2 used)	38	HYD5515050	5/8" x 90 Degree Straight Thread Elbow "O" Ring
11	HYD5405064	1/2" x 90 Degree Male Elbow	39	HYD3159020	1/4" Steel Plug Hex
12	HYD3269044	1/2" x 1/2" Straight Thread "O" Ring Adaptor (2 used)	40	HYD0016808	1/2" Ported Cross
13	HYD5315054	5/8" Straight Thread "O" Ring Connector (4 used)	41	VLV495T819	Valve C, Tie Arms
14	HYD5405040	1/2" x 90 Degree Male Elbow (6 used)	42	TBE0017026	1/2" Hydraulic Tube
15	HYD7230040	1/2" Straight Thread "O" Ring Plug (2 used)	43	TBE0017027	5/8" Hydraulic Tube
16	HYD3069040	1/2" Hex Nipple (9 used)	44	TBE0017028	3/8" Hydraulic Tube
17	HYD3709040	1/2" Steel Tee (4 used)	45	TBE0017029	1/2" Hydraulic Tube
18	HYD5205040	3/8" x 1/2" Male Connector (3 used)	46	TBE0017030	5/8" Hydraulic Tube
19	HYD5405034	3/8" x 90 Degree Male Elbow (2 used)	47	TBE0017031	5/8" Hydraulic Tube
20	HYD5715040	1/2" Straight Thread Branch Tee	48	TBE0017032	5/8" Hydraulic Tube
21	VLV495T819	Valve B, Pusher	49	TBE0017033	5/8" Hydraulic Tube
22	HYD5405050	5/8" x 90 Degree Male Elbow (5 used)	50	TBE0017034	5/8" Hydraulic Tube
23	01-514	1500 PSI Relief Valve Tube From Relief Valve To Counter Balance Valve	51	TBE0017035	1/2" Hydraulic Tube
			52	TBE0017036	1/2" Hydraulic Tube
24	HYD3959040	1/2" Steel Cross	53	TBE0017037	5/8" Hydraulic Tube
25	HYD5205050	5/8" Straight Male Connector (2 used)	54	TBE0017025	3/8" Hydraulic Tube
26	HYD3109064	3/4" x 1/2" Steel Bushing (2 used)	55	FLP0073115	Valve Mounting Platform
27	HYD5205030	3/8" x 1/4" Straight Male Connector	56	VLVRD10750	Counter Balance Valve
			57	BKT0016915	Terminal Strip Bracket
			58	SCC0000108	1/4" x 2 1/2" NC Cap Screw (2 used)
			59	NCH0000250	1/4" NC Hex Nut (2 used)
			60	WLK0000250	1/4" Lock Washer (2 used)
			61	WCT0000250	1/4" Flat Washer (8 used)



COMPONENT LOCATION

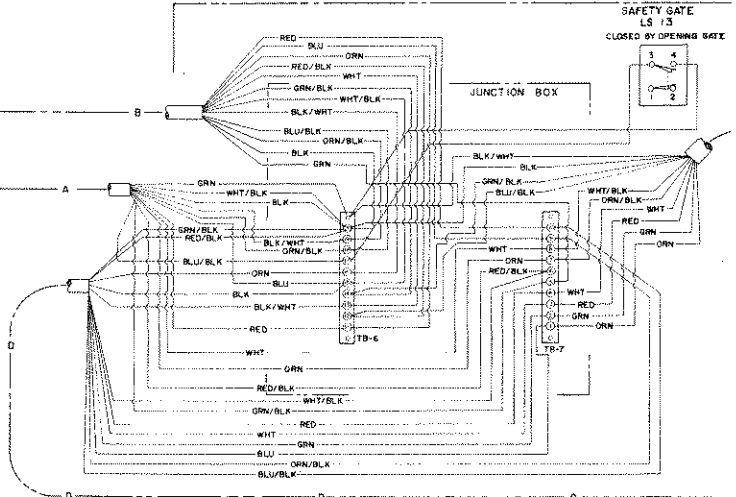
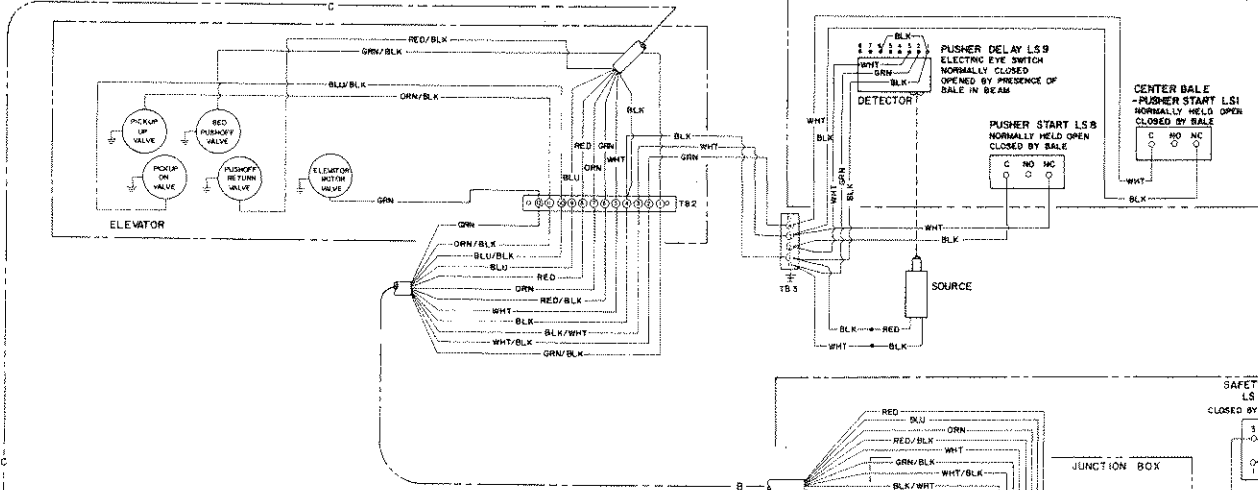
REF. NO.	PART NO.	DESCRIPTION
LS1	03-158	Center Bale Pusher (Micro Switch)
LS2	ELC0005000	Short Stroke Return Limit Switch
LS3	ELC0005000	Long Stroke Return Limit Switch
LS4	ELC0005000	Pusher Return Stop Limit Switch
LS5	ELC0005000	Tier Tie Selector Switch
LS6	ELC0005000	Inner Tie Tier Selector Switch
LS7	ELC0005000	Load Table Bed Index (Limit Switch)
LS8	03-158	Pusher Start (Micro Switch)
LS9-R	ELC0005105	Electronic Eye Receiver
LS9-S	ELC0005106	Electronic EyeLight Source
LS10	ELC0005000	Bale Retainer Limit Switch
LS11	ELC0005000	Load Pusher Return Stop Switch
LS12	ELC0005000	Load Table Stop Limit Switch
1	ELC0005001	Lever Arm MA-11, 1 1/2" (6 used)
2	ELC0005084	Lever Arm EA-11, 3" (3 used)
3	VLV4813132	Stack Valve Assembly
4	F 0006188	Lockout Valve, LO-50-D Gresen
5	LIT0007000	Tie Indicator Lights Assembly
6	ELC0121000	Top Panel Relay Box, A-1210LP
7	BOX0169400	Top Panel Junction Box
8	VLV4951184	Valve A
9	VLV495T819	Valve B
10	VLV495T819	Valve C
11	VLV0004813	Valve D
12	BOX0165590	Control Box
13	CBL0017040	12 Conductor Electric Cord 35'
14	CBL0017041	2 Conductor Electric Cord 12'
15	CBL0017042	3 Conductor Electric Cord 56"
16	CBL0017043	12 Conductor Electric Cord 42"
17	CBL0017044	12 Conductor Electric Cord 48"
18	CBL0017045	8 Conductor Electric Cord 180"
19	CBL0017046	3 Conductor Electric Cord 54"
20	CBL0017047	2 Conductor Electric Cord 53"
21	CBL0017048	2 Conductor Electric Cord 74"
22	CBL0017049	2 Conductor Electric Cord 77"
23	CBL0017050	2 Conductor Electric Cord 109"
24	CBL0017051	3 Conductor Electric Cord 52"
25	CBL0017052	2 Conductor Electric Cord 28"
26	CBL0017053	3 Conductor Electric Cord 72"
27	CBL0017054	2 Conductor Electric Cord 70"
28	CBL0017055	3 Conductor Electric Cord 16"
29	CBL0017056	3 Conductor Electric Cord 117"
30	CBL0017057	6 Conductor Electric Cord 9'
31	CBL0017058	3 Conductor Electric Cord 48"
32	CBL0017059	2 Conductor Electric Cord 42"
33	CBL0017060	2 Conductor Electric Cord 103"
34	CBL0017061	2 Conductor Electric Cord 155"
35	CBL0017062	12 Conductor Electric Cord 56"
36	CBL0017063	8 Conductor Electric Cord 47"
37	03-177	Connector 1/2", CGB196 CH



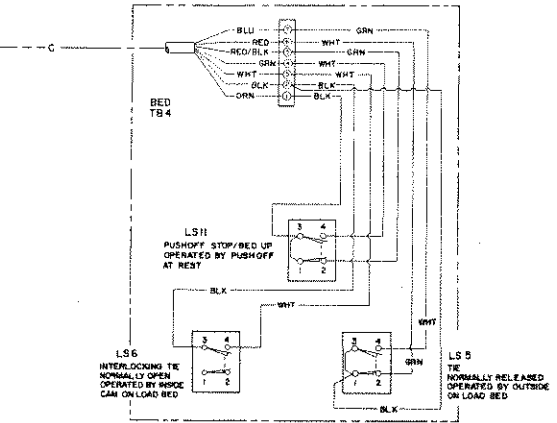
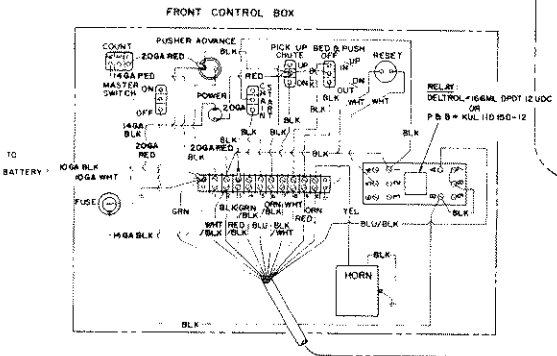
7 TIER CONTROLS

REF. NO.	PART NO.	DESCRIPTION
1	03-180	Box, W/Cover, a-1210LP
2	03-900	Relay Chassis Complete
3	03-182	Relay, W388CPX-10 Magnecraft
4	03-183	Intergrated Circuit, M6140174CP Motorola
5	03-184	Transistor, 2N6055
	03-185	Transistor, Base MK-5
6	07-126	Spacer 3/8" OD x 1 1/2" Tubing
7	NFH0001032	10-32 NF Hex Nut
8	WLK0001000	1 Lock Washer
9	ELC0044003	2N5416 Transistor RCA
10	03-179	Connector 3/4", CGB296 CH
11	03-186	Connector 1", CGB397 CH
12	03-181	Switch, 1TL1-3 Micro
13	03-177	Connector 1/2", CGB196 CH
14	03-191	Switch, 1PB4 Micro
15	03-192	Fuse Holder HKP Buss
16	03-189	Indicator Lamp Lens 178-0332-500
17	03-188	Indicator Lamp Base 162-8130-09-502
18	SMF6320750	6-32 x 3/4" FH Screw (4 used)
19	SMF6320500	6-32 x 1/2" FH Screw (4 used)
20	SMF6320625	6-32 x 5/8" FH Screw (2 used)
21	ELC0005057	Warn-A-Larn
22	F 0005237	Switch
23	ELC027E121	Relay Sockets Kvp
24	NMS0001189	6-32 x 1/4" Nut
25	WIS0006000	Washer Internal Star
26	BAB0010140	Barrier Block
27	ELC0005070	Limit Switch Lever Arm
28	03-193	Fuse AGC 15
29	03-190	Indicator Lamp Bulb 330 GE
30	BAB0008140	Barrier Strip
31	ELC0046003	Diode (13 used)
32	CVR0073094	Tie Indicator Light Cover
33	BOX0016939	Tie Indicator Light Box
34	SCC0000101	1/4" x 3/4" NC Cap Screw (2 used)
35	WLK0000250	1/4" Lock Washer (2 used)
36	NCH0000250	1/4" NC Hex Nut (2 used)
37	MNT0016942	Terminal Box Mount
38	BOX0016940	Terminal Strip Box
39	NCW0003125	5/16" NC Wing Nut (2 used)
40	CVR0016941	Terminal Strip Box Cover
41	03-208	Barrier Block 10 Post
42	CVR0016823	Cover Control Box
43	BOX0016559	Control Box

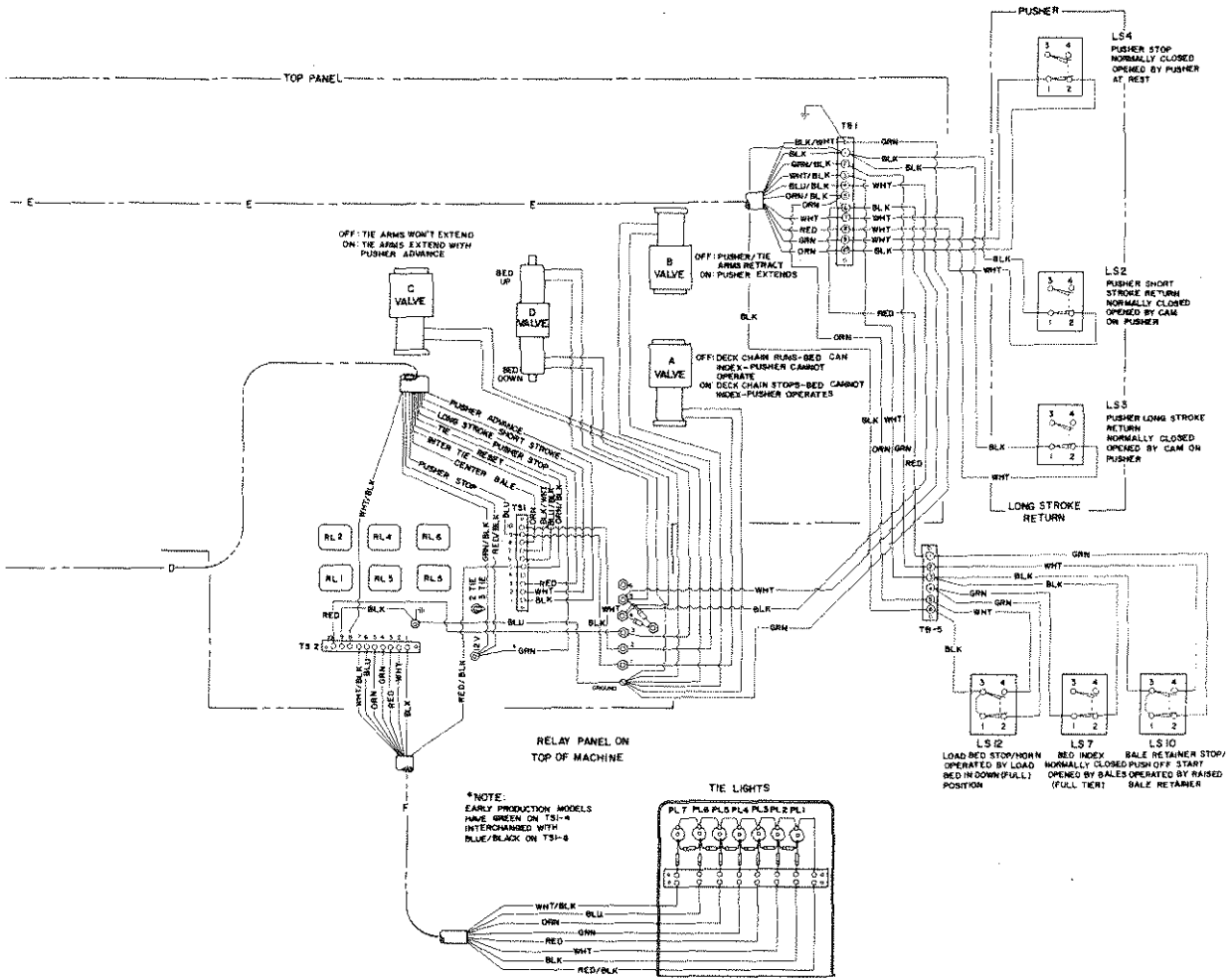
(L.H.SIDE)



NOTE: ALL WIRES ARE 16 GA UNLESS SHOWN OTHERWISE



7 TIER ELECTRICAL SCHEMATIC



MAINTENANCE NOTES