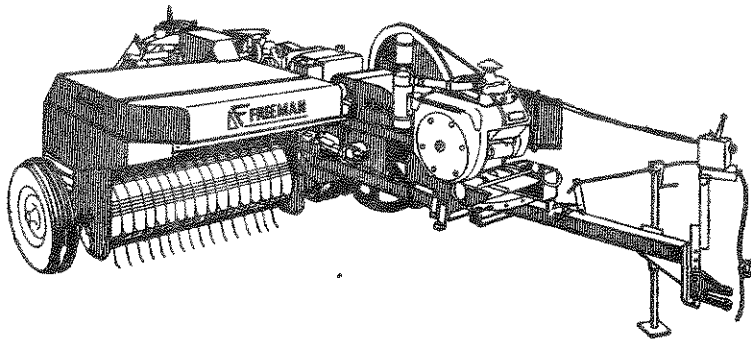


# Freeman Automatic Pick-Up Baler 1969 PARTS LIST SUPPLEMENT

To 1968 Parts List

## MODELS 200, 300, 330



---

---

*manufactured and distributed by*

**J. A. FREEMAN & SON**

PORTLAND, OREGON

**PB00000169**

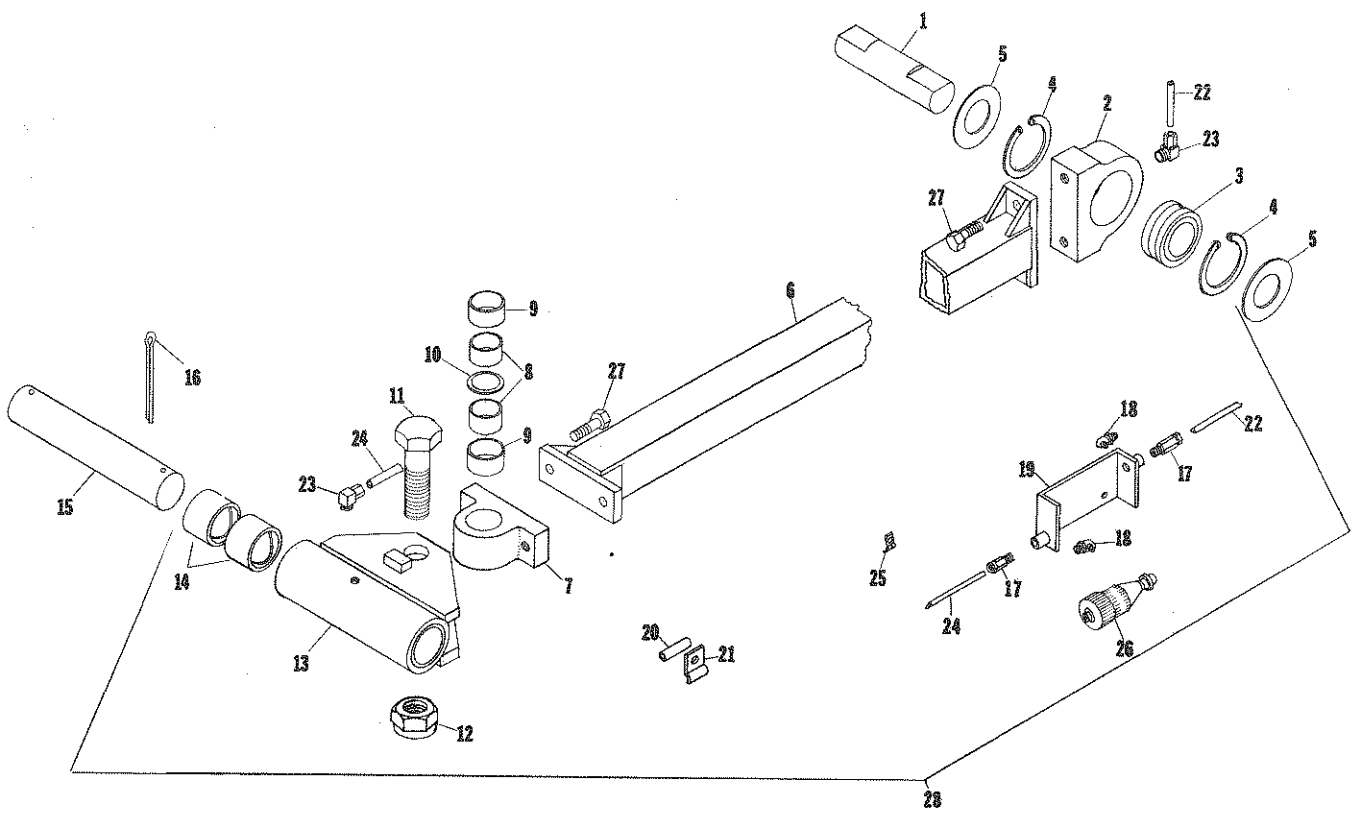
Printed in U.S.A. 7-69

## Index

Part No.	Page No.	Part No.	Page No.	Part No.	Page No.	Part No.	Page No.	Part No.	Page No.
F 40	7	F 1561	5	F 7193	4	F 7818	3	F 7929	9
F 55	1	F 1563	5	F 7194	4	F 7819	3	F 7930	9
F 98	4	F 1572	8	F 7239	5	F 7822	3	F 7931	9
F 100	4	F 1576	7	F 7275	5	F 7823	3	F 7932	9
F 101	4	F 1577	7	F 7276	5	F 7824	3	F 7933	9
F 117	4	F 1603	5	F 7355	4	F 7825	3	F 7934	9
F 227	3	F 1609	3	F 7356	4	F 7826	3	F 7935	9
F 235	7	F 1620	7	F 7382	4	F 7830	1	F 7936	9
F 246	7	F 1622	7	F 7439	3	F 7831	1	F 7937	9
F 281	5	F 1623	7	F 7519	7	F 7832	1	F 7938	9
F 298	3	F 1629	3	F 7529	5	F 7833	1	F 7939	9
F 299	3	F 1633	7	F 7532	5	F 7834	1	F 7940	7
F 452	8	F 1634	5	F 7533	5	F 7835	1	F 7941	7
F 524	9	F 1635	5	F 7534	5	F 7836	1	F 7942	7
F 525	9	F 1636	3	F 7541	9	F 7859	7	F 7943	7
F 657	7	F 1643	5	F 7542	1	F 7860	7	F 7944	7
F 658	7	F 1648	5	F 7543	1	F 7867	7	F 7945	7
F 659	7	F 1649	5	F 7555	9	F 7868	7	F 7946	7
F 747	8	F 1673	5	F 7556	9	F 7869	7	F 7947	7
F 751	3	F 1680	7	F 7572	4	F 7870	7	F 7948	7
F 755	7	F 1700	7	F 7573	4	F 7871	7	F 7949	7
F 772	3	F 1717	4	F 7577	5	F 7872	7	F 7950	7
F 773	3	F 4050	5	F 7583	4	F 7873	7	F 7951	7
F 774	3	F 4104	7	F 7584	4	F 7874	7	F 7952	7
F 775	3	F 4115	7	F 7597	4	F 7875	7	F 7953	7
F 776	3	F 4133	7	F 7598	4	F 7876	7	F 7954	7
F 777	3	F 4134	7	F 7599	4	F 7877	7	F 7955	7
F 778	3	F 4135	7	F 7604	5	F 7882	7	F 7956	8
F 779	3	F 4136	7	F 7605	5	F 7883	7	F 7957	8
F 780	3	F 4159	7	F 7606	5	F 7884	7	F 7958	8
F 781	3	F 4160	7	F 7607	5	F 7889	9	F 7959	8
F 822	5	F 4161	7	F 7610	5	F 7890	9	F 7960	8
F 856	9	F 6318	9	F 7651	1	F 7891	9	F 7961	3
F 857	9	F 7063	7	F 7653	1	F 7892	7	F 7962	3
F 979	3	F 7146	4	F 7660	5	F 7893	7	F 7963	3
F 986	3	F 7148	4	F 7730	4	F 7898	9	F 7964	3
F 1134	1	F 7149	4	F 7731	4	F 7904	7	F 7965	3
F 1189	5	F 7151	4	F 7732	4	F 7914	1	F 7966	5
F 1193	5	F 7154	4	F 7734	4	F 7915	1	F 7967	5
F 1195	5	F 7155	4	F 7735	3	F 7916	1	F 7968	5
F 1226	4	F 7156	4	F 7741	4	F 7917	1	F 7969	5
F 1235	5	F 7176	4	F 7760	4	F 7918	1	F 7970	5
F 1290	8	F 7177	4	F 7761	3	F 7919	1	F 7971	5
F 1436	1	F 7180	4	F 7762	3	F 7920	1	F 7973	9
F 1441	3	F 7181	4	F 7763	3	F 7921	1	F 7974	9
F 1512	3	F 7182	4	F 7764	3	F 7922	1	F 7975	7
F 1527	1	F 7183	4	F 7765	3	F 7923	1	F 7976	7
F 1537	3	F 7184	4	F 7766	3	F 7924	1	F 7977	7
F 1556	5	F 7185	4	F 7767	3	F 7925	1	F 7978	7
F 1557	5	F 7186	4	F 7812	3	F 7926	1		
F 1558	5	F 7187	4	F 7813	3	F 7927	9		
F 1559	5	F 7190	4	F 7816	3	F 7928	9		

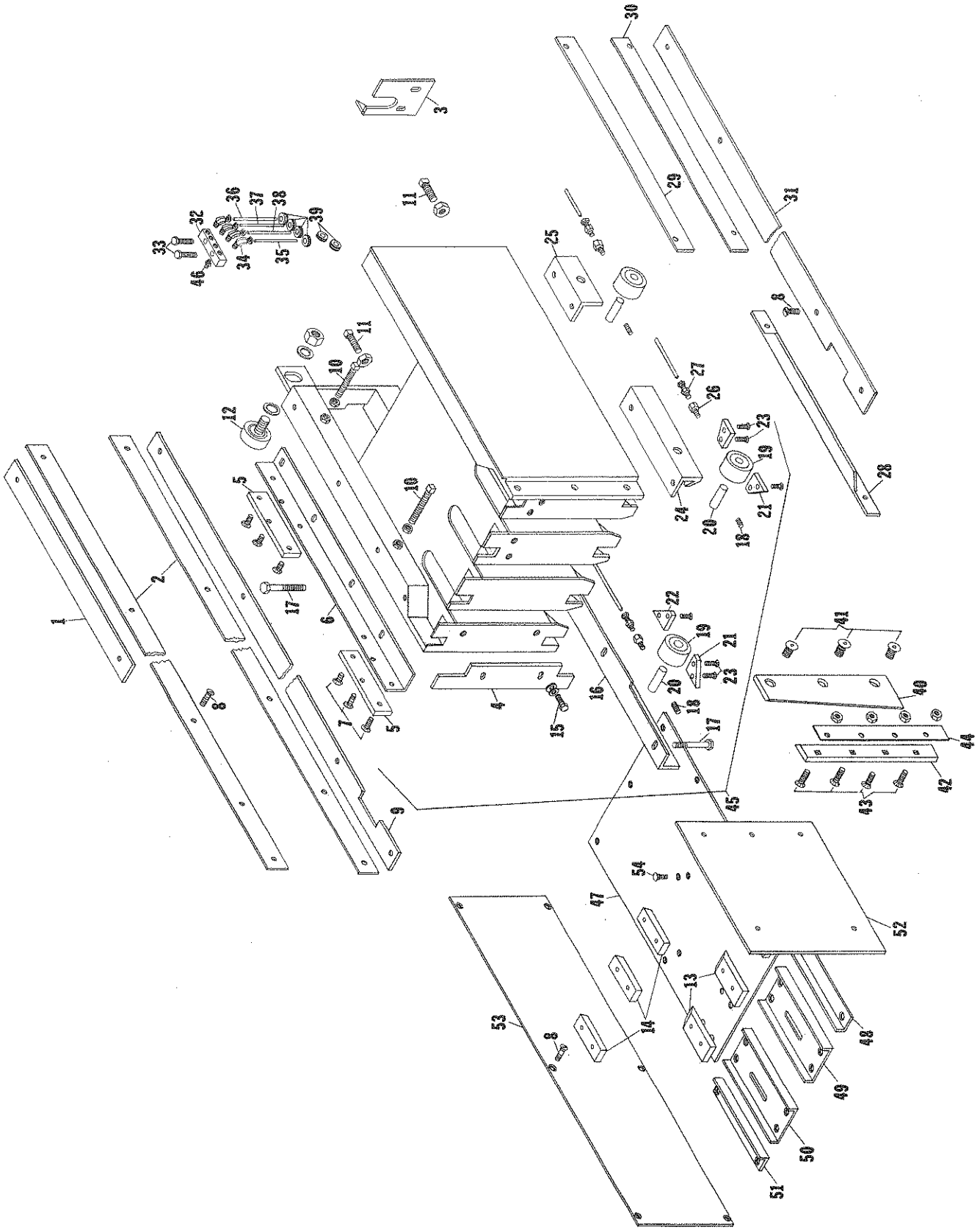
### PARTS NOT ILLUSTRATED

PART NO.	DESCRIPTION
F 600	Tandem axle base rod
F 1256	Crank arm, Model 330
F 7268	Feed arm connecting rod,
F 7398	One pound can type "000" grease
F 7401	Five pound can type "000" grease
F 7528	Brake disc with hard notch, 1-3/8" for all wire Balers and three-twine Balers
F 7685	3-wire Knotter complete w/clutch & brake, 300,23" chamber
F 7686	2-wire Knotter complete w/clutch & brake, 200
F 7687	3-wire Knotter complete w/clutch & brake, 300, 22" chamber
F 7913	Chain idler roller mounting plate
F 7972	Needle yoke, 330 twine only
F 7973	Holder for needle twine guide bushing
F 7979	Rear P.T.O. drive line assembly complete with plastic shield
F 7980	Wire knotter complete w/clutch & brake, 330
F 7981	Wire box side, front, 2-tie
F 7982	Wire box side, rear, 2-tie
FT 213	Spring, adjusting screw tension



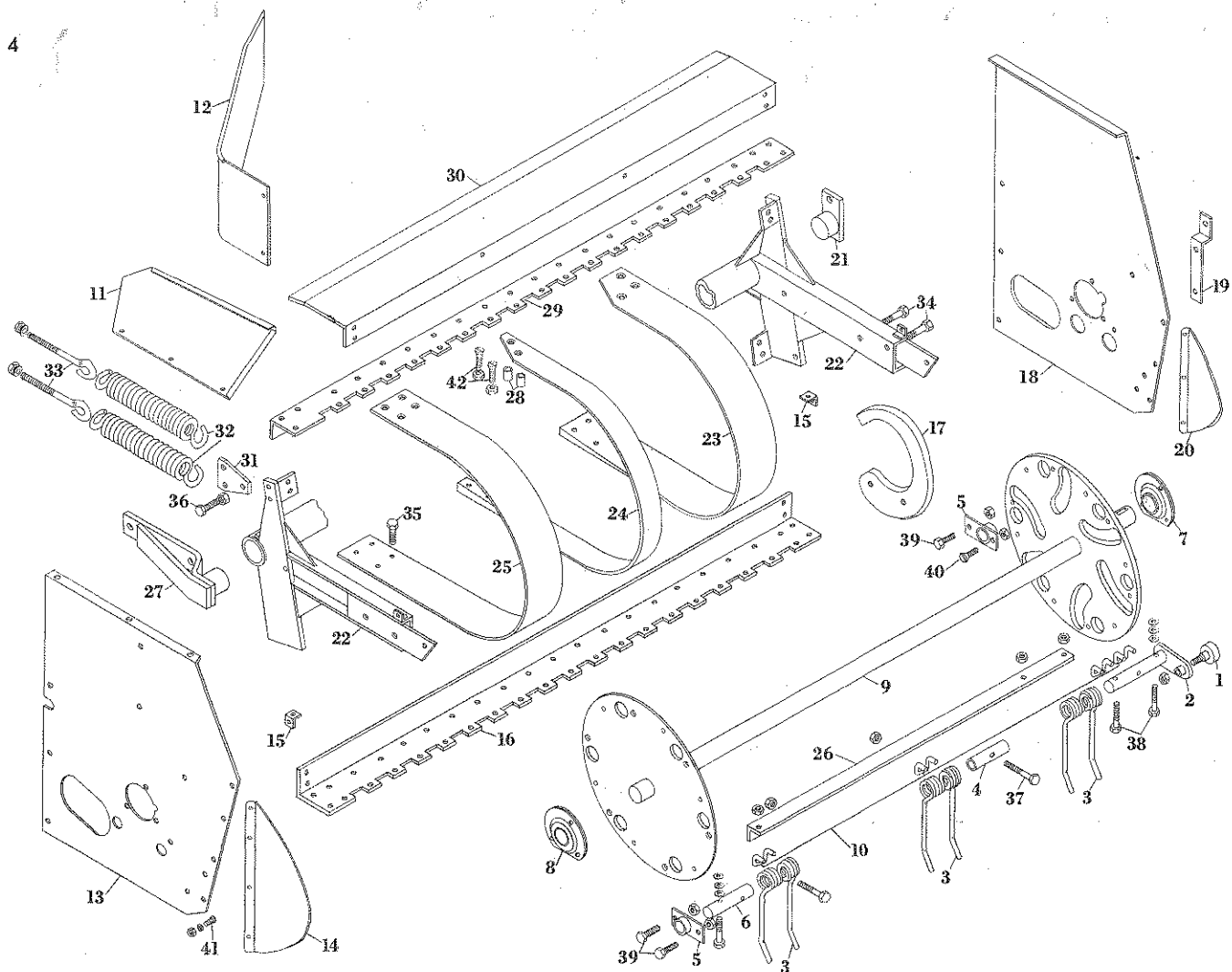
**PLUNGER CONNECTING ROD ASSEMBLY**

REF. NO.	PART NO.	DESCRIPTION	REF. NO.	PART NO.	DESCRIPTION
1	F 7914	Plunger pin	14	F 1527	Bushing for F 7925 conn rod end
2	F 7915	Conn rod end housing, plunger end, complete w/ bearing	15	F 1134	Crank pin, gear end, 22" chamber
3	F 7916	Bearing for F 7915 housing	16	F 55	Key for crank pin (2 used)
4	F 7917	Snap ring	17	F 7833	Connector, grease tubes
5		Washer, 1-3/4" x 2-1/2", 10 ga. machine bushing	18	F 7835	Steel sleeve for F 7830 and F 7833
		Washer, 1-3/4" x 2-1/2", 14 ga. machine bushing	19	F 7651	Grease fitting on conn rod (2 used)
		Washer, 1-3/4" x 2-1/2", 18 ga. machine bushing	20	F 7542	Bracket for grease tubes on conn rod
6	F 7918	Connecting rod	21	F 7834	Protector tube for grease tube
7	F 7919	Conn rod swivel end	22	F 1436	Clip for grease tube protector
8	F 7920	Inner race, conn rod swivel end	23	F 7832	Grease tube, 3/8", plunger pin to F 7542 bracket, 7"
9	F 7921	Steel bushing, conn rod swivel end	24	F 7830	Elbow for conn rod grease tube (2 used)
10	F 7922	Spacer washer	25	F 7831	Grease tube, 3/8" crank pin to F 7542 bracket, 36"
11	F 7923	Pivot pin for swivel end	26	F 7653	Clip for grease tube
12	F 7924	1-1/4" NF elastic stop jam nut	27	F 7543	Spring loaded grease cup for F 7542
13	F 7925	Conn rod end housing, bull gear end complete w/ bushings, 22" chamber	28	F 7926	1/2" x 1-3/4" NC cap screw
				F 7836	Conn rod ends greasing kit including Ref. Nos. 17 to 25



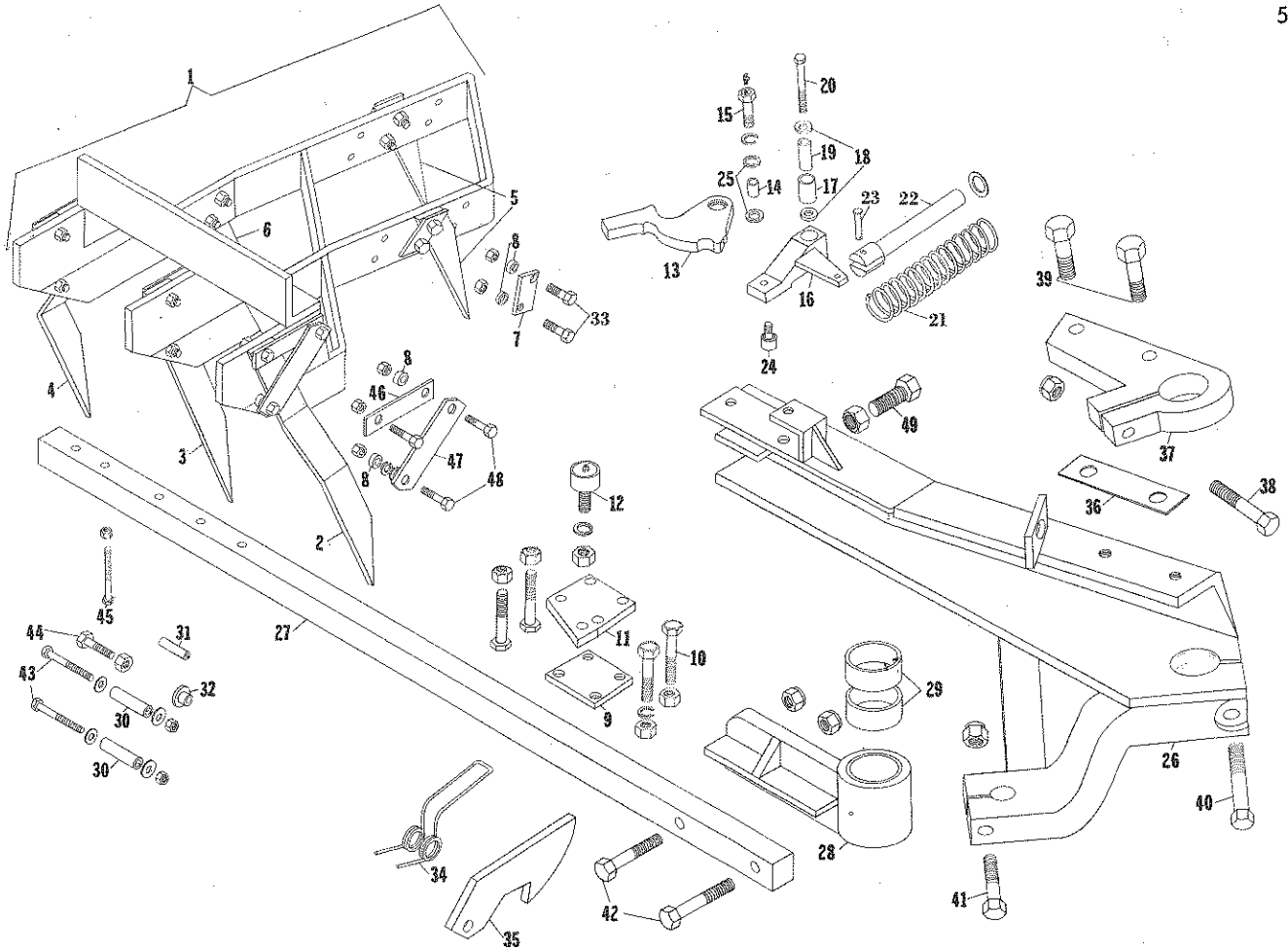
### MODEL 330 PLUNGER

REF. NO.	PART NO.	DESCRIPTION
1	F 7765	Plunger roller rail, top L.H.
2	F 7763	Plunger guide rail, top & bottom
3	F 7965	Adjusting pad for plunger face, center, twine only (2 used)
4	F 7963	Adjusting pad for plunger face, left side, 16" x 22" chamber
	F 7964	Adjusting pad for plunger face, left side, 17" x 22" chamber
5	F 1537	Hard slide for roller plunger (4 used)
6	F 7766	Hard slide mounting rail, L.H. top
7		5/16" x 1/2" FH machine screw (12 used)
8		5/16" x 1" FH machine screw for plunger rail
		5/16" x 1-1/2" FH machine screw for plunger rail
9	F 7762	Plunger roller rail, L.H. bottom
10		1/2" x 4" square head set screw, top rail (2 used)
		1/2" x 2-1/2" square head set screw, bottom rail (2 used)
11		3/4" x 1-3/4" square head set screw (2 used) plunger pin lock
12	F 1636	Roller for top of plunger, 3/4" shank
13	F 7822	Wire and twine track block, bottom
14	F 7823	Wire and twine track block, top
15		3/8" x 1" NC cap screw (3 used)
16	F 7761	Roller & slide mounting angle, L.H. bottom
17		3/8" x 3-3/4" NC cap screw (12 used)
18		1/4" x 3/8" Allen head set screw (4 used)
19	F 775	Roller for plunger (4 used)
20	F 776	Pin, plunger roller (4 used)
21	F 986	Wiper, rear (2 used)
22	F 774	Wiper, front (2 used)
23		1/4" x 1" FH machine screw (8 used)
24	F 773	Roller mounting angle, R.H. rear
25	F 772	Roller mounting angle, R.H. front
26	F 777	Adapter for grease tube (4 used)
27	F 778	Connector for grease tube (4 used)
28	F 7439	Knife guide under feed opening
29	F 299	Plunger slide, flat, upper R.H. side
30	F 298	Plunger slide, flat, lower R.H. side
31	F 7767	Plunger roller rail, R.H. bottom
32	F 979	Manifold for grease tubes
33		5/16" x 1-3/4" NC cap screw (2 used)
34	F 1441	Elbow grease tube (4 used)
35	F 780	Grease tube, right rear, 36"
36	F 781	Grease tube, left front, 14"
37	F 779	Grease tube, left rear, 30"
38	F 779	Grease tube, right front, 39"
39	F 7735	Grommet, grease tube protector (6 used)
40	F 7764	Plunger knife
41	F 227	Bolt for plunger knife (3 used)
42	F 1609	Knife, stationary with square holes
43	F 1629	Bolt for F 1609 knife (4 used)
44	F 751	Shim for F 1609 knife, 14 ga.
	F 1512	Shim for F 1609 knife, 20 ga.
45	F 7961	Plunger complete, less knife, 16" x 22" chamber
	F 7962	Plunger complete, less knife, 17" x 22" chamber
46		1/8" P.T. grease fitting
47	F 7824	Bale chamber bottom
48	F 7813	Liner ext. for bale chamber bottom, R.H.
49	F 7816	Liner ext. for bale chamber bottom, R.H. center
50	F 7818	Liner ext. for bale chamber bottom, L.H. center
51	F 7819	Liner ext. for bale chamber bottom, L.H.
52	F 7812	Liner for bale chamber side, R.H.
53	F 7825	Liner for bale chamber side, L.H., 16" chamber
	F 7826	Liner for bale chamber side, L.H., 17" chamber
54		3/8" x 1-1/4" #3 plow bolt
		3/8" x 1-1/2" #3 plow bolt



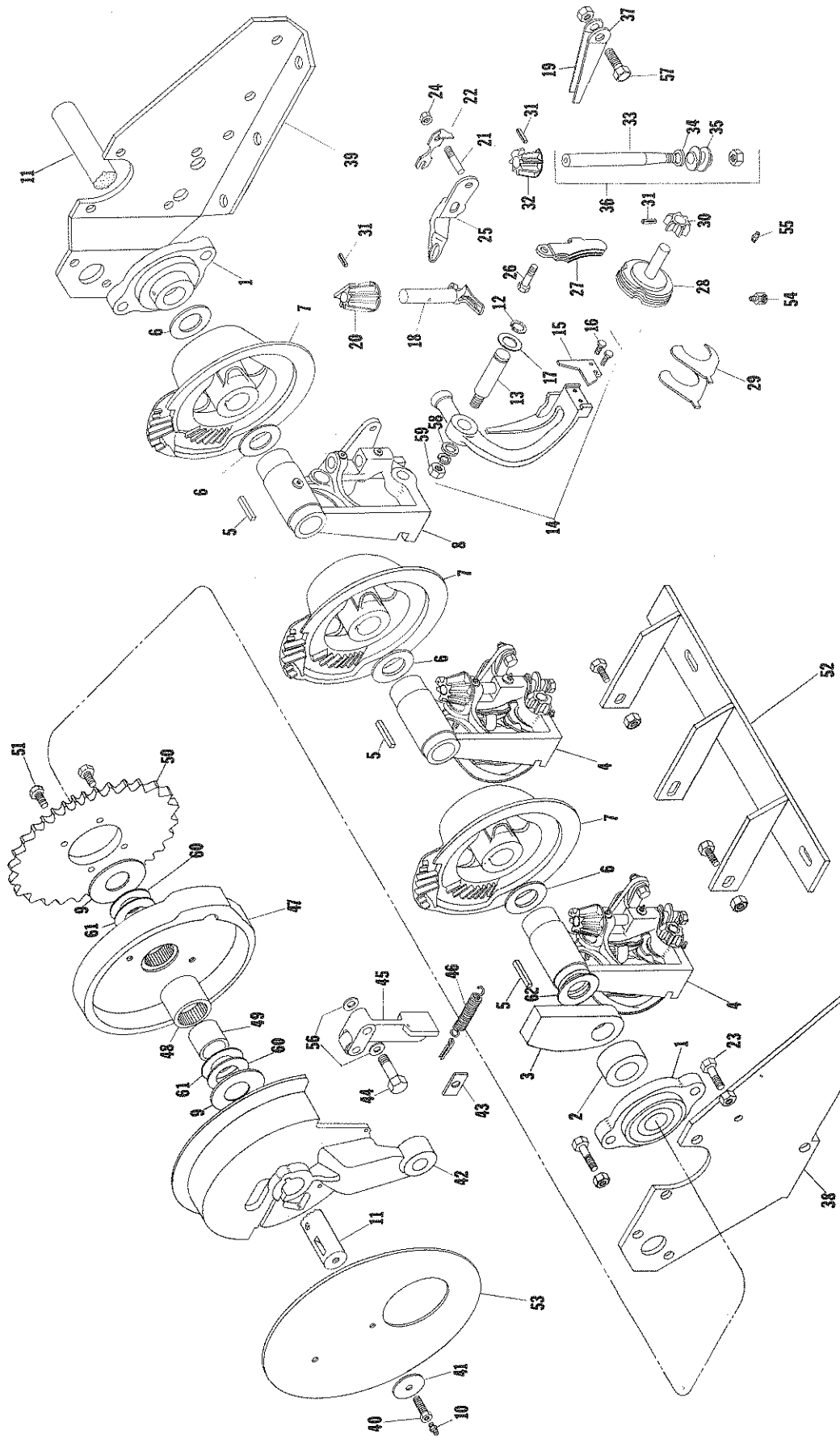
### PICKUP CYLINDER ASSEMBLY

REF. NO.	PART NO.	DESCRIPTION	REF. NO.	PART NO.	DESCRIPTION
1	F 7598	Roller for F 7597 cam lever	25	F 7185	Stripper, outside
2	F 7599	Cam lever only		F 7741	Stripper, outside, special, for F 7730
	F 7597	Cam lever with roller (6 used)	26	F 7186	Tooth bar (6 used)
3	F 1226	Pickup finger 6-1/2" shank (54 used)	27	F 7382	Bearing, R.H. pickup mounting, pull type
4	F 101	Pickup finger guide pipe (42 used)	28	F 117	Pickup fender guard spacer pipe
5	F 7187	Tooth bar bearing (12 used)	29	F 7181	Top stripper bar
6	F 98	Pin, tooth bar (6 used)		F 7730	Top stripper bar, special (formed)
7	F 7584	Bearing, pickup shaft L.H.	30	F 7182	Pickup joint sheet
8	F 7583	Bearing, pickup shaft R.H.		F 7731	Pickup joint sheet, special, for F 7730
9	F 1717	Pickup shaft with flanges	31	F 7156	Spring plate
10	F 100	Pickup finger guide (60 used)	32	F 7154	Spring for pickup balance (2 used)
11	F 7146	Skirt for fender	33	F 7155	Eyebolt for pickup balance spring (2 used)
12	F 7149	Fender extension	34		1/2" x 2-1/2" NC cap screw
13	F 7573	Fender, outside	35		5/16" x 3/4" NC cap screw
14	F 7148	Fender flare, outside	36		7/16" x 1-1/2" NC cap screw
	F 7355	Fender flare extension, outside	37		5/16" x 2" NC cap screw
15	F 7193	Fender mounting clip (4 used)	38		5/16" x 2-1/4" NC cap screw
16	F 7180	Bottom stripper bar	39		5/16" x 1" NC cap screw
17	F 7190	Pickup cam	40		5/16" x 1" CS machine screw
18	F 7572	Fender, inside	41		1/4" x 1/2" R.H. machine screw
19	F 7194	Pickup lift bracket, pull type	42		5/16" x 1-3/4" CS machine screw
20	F 7151	Fender flare, inside			
	F 7356	Fender flare extension, inside			
21	F 7176	Bearing, L.H. pickup mounting			
22	F 7177	Pickup frame			
23	F 7184	Stripper, inside			
	F 7732	Stripper, inside, special, for F 7730			
24	F 7183	Stripper, center (17 used)			
	F 7734	Stripper, center, special, for F 7730			
				F 7760	Pickup complete, less balance springs, lift bracket, and mounting bearings



**3-TIE FEED ARM AND FEED FORK**

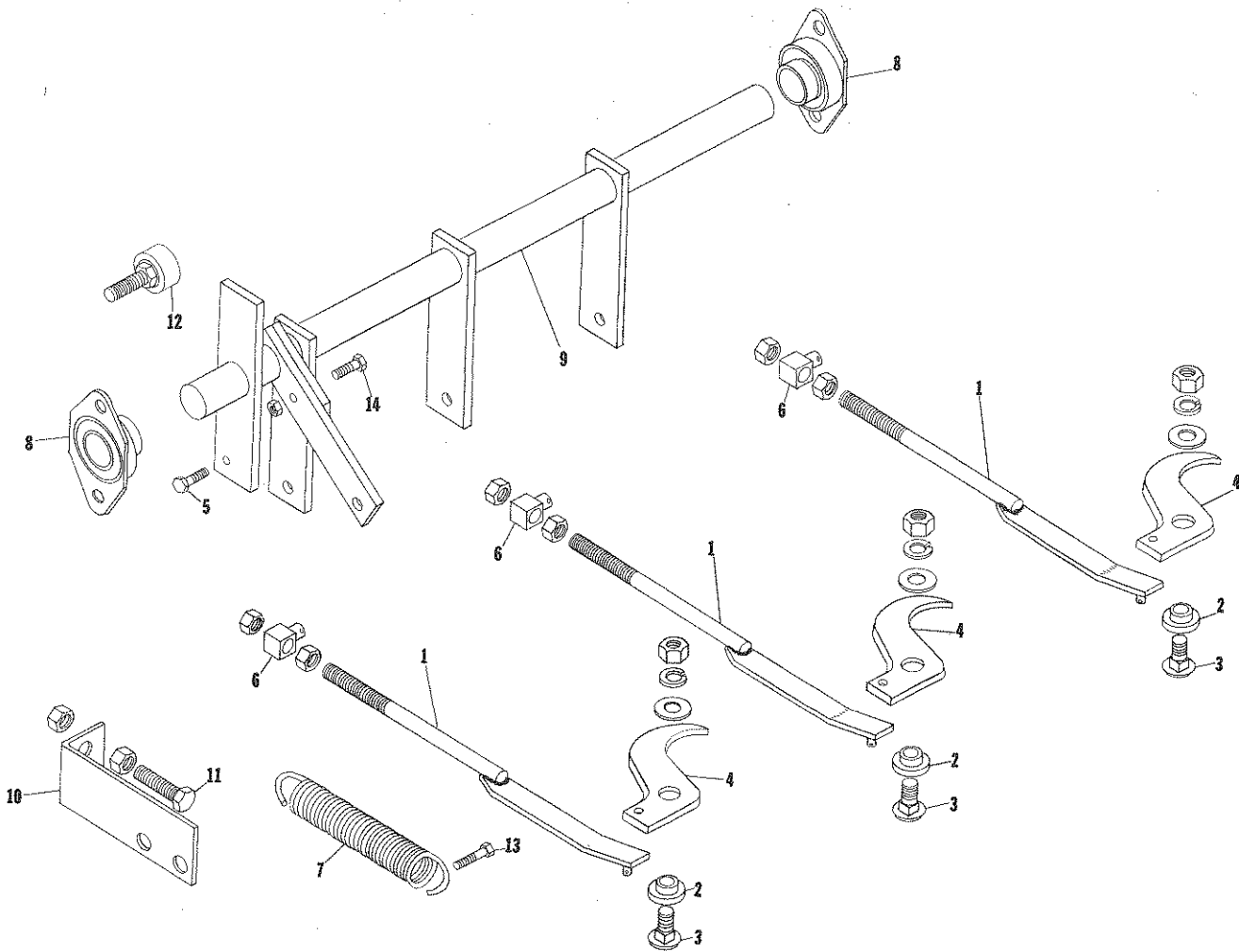
REF. NO.	PART NO.	DESCRIPTION	REF. NO.	PART NO.	DESCRIPTION
1	F 7966	Feed fork complete 300 & 330	29	F 1235	Bushing for torque shaft bearing (2" x 2-1/2" x 1")
2	F 7967	Tine, trailing, inside, 1" offset	30	F 7275	Roll pin (1/2" x 2") (2 used)
3	F 7968	Tine, trailing, center	31	F 7239	Roll pin (3/8" x 1-1/2")
4	F 7969	Tine, trailing, outside 2-1/2" offset	32	F 7276	Ferrule for F 1563
5	F 1603	Tine, leading, short (2 used)	33		7/16" x 1-1/2" N.F.H.T. cap screw
6	F 1189	Tine, outside center	34	F 281	Spring latch
7	F 1195	Clip for tines	35	F 1563	Catch for torque shaft
8	F 1193	Bushing and stop for tines	36	F 1648	Shim for straddle mount, 16 ga.
9	F 7532	Bottom plate	37	F 1649	Shim for straddle mount, 22 ga.
10	F 7534	Bolt, 3/8" x 2-3/4" N.F.H.T.C.S.	37	F 1634	Straddle mount plate for pivot shaft
11	F 7533	Roller plate	38		Bolt, 1/2" x 3" NF with nut, straddle mount plate clamp
12	F 4050	Latch roller	39		5/8" x 1-3/4" N.C. cap screw, straddle mount plate
13	F 7604	Latch	40	F 1673	1/2" x 3" N.F. cap screw with lock nut, grade 8, feed arm clamp
14	F 7607	Bushing for F 7604 latch	41		1/2" x 4-1/4" N.F. cap screw with lock nut, clamp for feed arm pin
15	F 7605	Latch hinge pin	42		1/2" x 3 N.F. cap screw with lock nut, torque shaft
16	F 7606	Trip arm	43		5/16" x 2-1/2" N.C. cap screw, for spring and stop latch
17	F 1556	Trip arm bushing	44		7/16" x 1-1/2" N.C. cap screw, latch hinge pin
18	F 1557	O ring (2 used)	45		3/8" x 2-1/2" N.F.H.T. cap screw (5 used)
19	F 1558	Trip arm sleeve	46	F 7970	Strap for feed fork tine, inside
20	F 1559	Trip arm pin	47	F 7971	Strap for feed fork tine, outside
21	F 1635	Trip arm spring	48		7/16" x 1-3/4" NFHT cap screw
22	F 1643	Trip arm spring rod	49		5/8" x 1-3/4" NC cap screw w/nut
23	F 1561	Trip arm spring rod clevis pin			
24	F 822	Cam follower for spring arm (CF1-S)			
25	F 7610	Quad ring for F 7604 latch			
26	F 7577	Feed arm			
27	F 7529	Torque shaft, 1-1/2"			
28	F 7660	Torque shaft bearing with bushing			





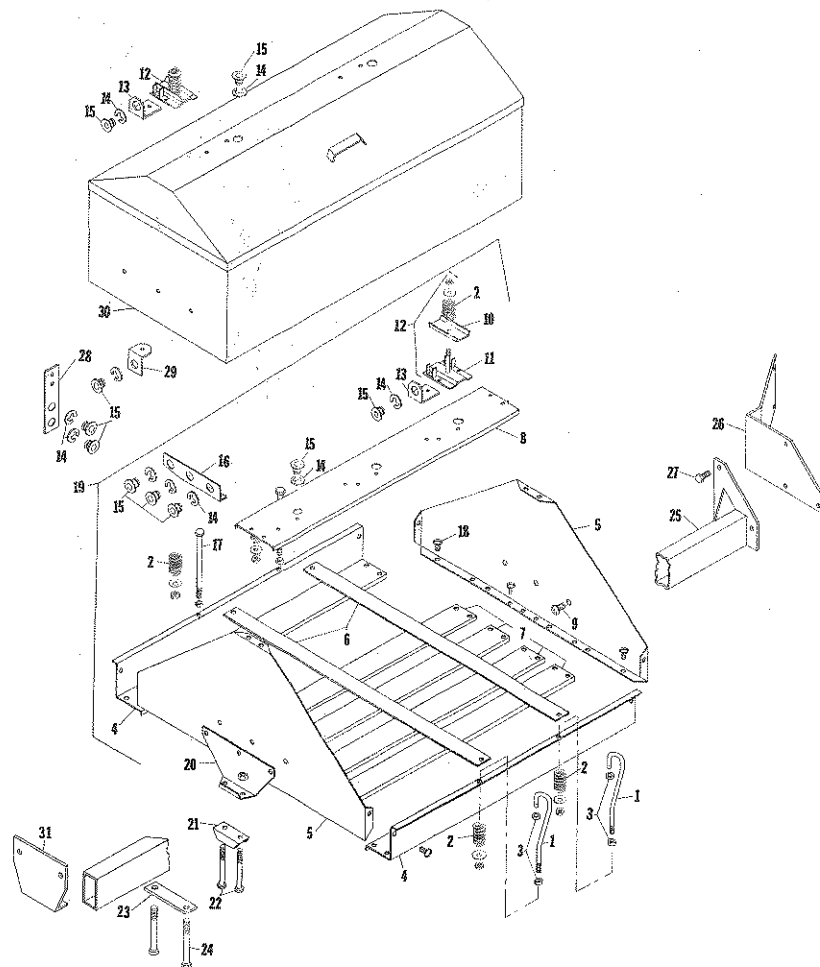
## TWINE KNOTTER

REF. NO.	PART NO.	DESCRIPTION	REF. NO.	PART NO.	DESCRIPTION
1	F 7063	Knotted shaft bearing, 1-3/8"	35	F 7875	Knotted worm only
2		1-3/8" set collar	36	F 7876	Knotted worm and shaft complete
3	F 7940	Twine finger drive cam	37	F 7877	Twine holder spring
4	F 7941	Knotted frame complete	38	F 7951	Twine knotted mount, L.H.
5	F 4104	Key, 3/8" x 3/8" x 1-1/2", cam gear	39	F 7952	Twine knotted mount, R.H.
	F 7904	Key, 3/8" x 3/8" x 2", clutch	40	F 1576	Adapter for Zerk, end of knotted shaft
6	F 4159	Knotted shaft spacer washer, 10 ga.	41	F 246	Knotted shaft end washer
	F 4160	Knotted shaft spacer washer, 14 ga.	42	F 7519	Clutch w/pawl, 1-3/8" shaft
	F 4161	Knotted shaft spacer washer, 18 ga.	43	F 1620	Clutch pawl pin lock
	F 7977	Knotted shaft spacer washer, .010"	44	F 1633	Clutch pawl pin
7	F 7978	Knotted shaft spacer washer, .005"	45	F 1622	Clutch pawl
	F 7942	Knotted cam gear	46	F 4115	Spring clutch pawl
8	F 7943	Knotted frame only	47	F 4133	Notched clutch disc w/F4134 bearing
9	F 4136	Hardened washer, 1-3/8" I.D., 16 ga.	48	F 4134	Bearing
10		6-40 straight grease fitting #3018	49	F 4135	Inner race
11	F 7944	Knotted shaft, 330T, 1-3/8"	50	F 755	Sprocket, knotted clutch, 60A32
12	F 7976	Snap ring for knife arm pin	51		3/8" x 1" NC cap screw
13	F 7884	Knife arm pin	52	F 7953	Knotted head anchor, Model 330T
14	F 7945	Knife arm complete	53	F 1577	Shield for knotted clutch
15	F 7946	Twine knife	54	F 7882	Zerk, 90°
16	F 7859	Twine knife screw	55	F 7883	Zerk straight
17	F 7860	Knife arm washer	56	F 1623	Washer, clutch pawl
18	F 40	Knotted bill hook	57		3/8" x 1" cap screw
19	F 7975	Knotted bill hook, plastic twine	58	F 7892	Knife arm shaft washer
	F 235	Twine holder spring	59	F 7893	Knife arm shaft nut
20	F 1700	Pinion, knotted hook, steel cut	60	F 4159	Knotted shaft spacer washer, 10 ga.
21	F 7948	Knotted hook cam adjusting screw	61	F 4161	Knotted shaft spacer washer, 18 ga.
22	F 7947	Knotted hook cam adjusting spring	62	F 4159	Knotted shaft spacer washer, 10 ga. (use 2)
23		3/8" x 1-1/2" NC cap screw			Knotted shaft spacer washer, 14 ga. (use 1)
24	F 7949	Knotted hook cam adj. screw nut			Knotted shaft spacer washer, 18 ga. (use 1)
25	F 7950	Knotted hook cam			
26	F 7867	Twine holder bolt			
27	F 7868	Twine holder			
28	F 7869	Twine disc			
29	F 7870	Twine disc cleaner			
30	F 7871	Pinion, twine holder disc			
31	F 7872	Roll pin			
32	F 7873	Pinion, knotted worm			
33	F 7874	Knotted worm shaft			
34	F 1680	Washer, knotted worm shaft, 28 ga.			
	F 657	Washer, knotted worm shaft, 10 ga.			
	F 658	Washer, knotted worm shaft, 14 ga.			
	F 659	Washer, knotted worm shaft, 18 ga.			



### TWINE FINGER DRIVE

REF. NO.	PART NO.	DESCRIPTION
1	F 7956	Twine finger drive rod
2	F 7960	Bushing, twine finger
3		3/8" x 1-1/4" carriage bolt w/nut, Grade 8
4	F 7957	Twine finger
5		1/4" x 1" NC cap screw
6	F 452	Twine finger link block
7	F 747	Spring, twine finger return
8	F 1290	Bearing, twine finger drive rod
9	F 7958	Twine finger drive shaft assembly, 330
10	F 7959	Twine finger stop bracket
11		3/8" x 1-1/2" NC cap screw
12	F 1572	Cam follower
13		5/16" x 1-1/2" NC cap screw
14		1/4" x 1" NC cap screw



**TWINE BOX AND TWINE GUIDES**

REF. NO.	PART NO.	DESCRIPTION	REF. NO.	PART NO.	DESCRIPTION
1	F 7927	Twine box hold down rod	19	F 7936	Twine box complete, 9 compartment large plastic twine ball, Ref. 1-18
2	F 7541	Spring, twine box hold down	20	F 7937	Twine box bracket
3	F 7928	Set collar, 5/16"	21	F 6318	Twine box clamp
4	F 7929	Twine box side	22		3/8" x 5" NC Cap screw
5	F 7930	Twine box end	23	F 7556	Bottom support plate for F 7555
6	F 7931	Twine box hold down	24		1/2" x 5-1/2" NC cap screw
7	F 7932	Twine box bottom	25	F 7938	Twine box base tube with end mount
8	F 7933	Twine box top section	26	F 7939	Twine box mounting bracket, R.H.
9		3/8" x 3/4" flat head machine screw	27		3/8" x 1" NC cap screw
10	F 7890	Twine tension top	28	F 524	Holder for twine guide bushing, 2-tie
11	F 7889	Twine tension base		F 525	Holder for twine guide bushing, 3-tie
12	F 7891	Twine tension assembly	29	F 7973	Holder for needle twine guide bushing
13	F 7898	Twine guide bushing holder	30	F 7974	Twine box, 8 compartment, dome lid
14	F 857	Snap ring for F 856	31	F 7555	Twine box tube mounting bracket, left hand
15	F 856	Twine guide bushing			
16	F 7934	Twine guide bracket			
17	F 7935	Twine box hold down bolt			
18		1/4" x 1/2" flat head machine screw			

INTENTIONALLY BLANK