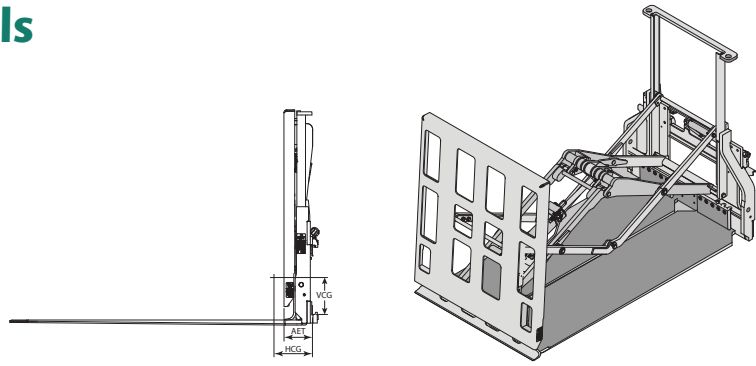


PLPB 36/48 Series Push/Pulls

- ▶ Rugged welded steel design
- ▶ Easy Class II/III mounting conversion
- ▶ Bolt-on options add flexibility
- ▶ Linkage mechanism requires no lubrication



Non-Sideshifting with Manually Adjustable Platens, 1 Function

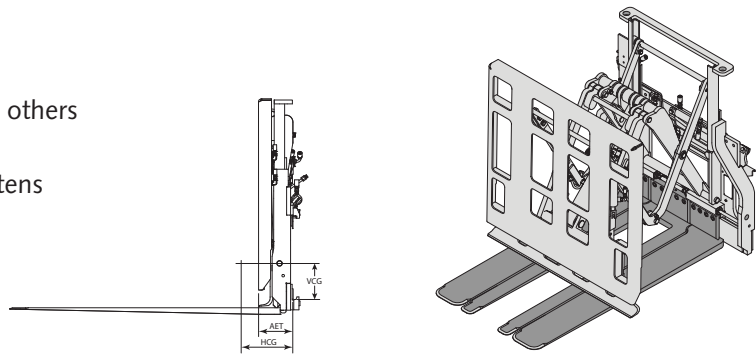
Model Number	Capacity lb @ 24"	Platen Size, W x L (in)	Platen Out-to-Out (in)	Mounting Class	Lost Load AET (in.)	HCG (in)	VCG (in)	Weight (lb)
PLPB-36NMPA548	3,600	15 x 48	34-42	II	6.7	8.3	10.7	1,105
PLPB-36NMPA848		18 x 48	37-45			9.2	10.1	1,155
PLPB-48NMPB548	4,800	15 x 48	34-42	II	6.7	8.6	10.3	1,134
PLPB-48NMPB848		18 x 48	37-45			9.5	9.8	1,190
PLPB-48NMPB548		15 x 48	34-42	III		8.6	10.3	1,155
PLPB-48NMPB848		18 x 48	37-45			9.5	9.8	1,210

Sideshifting with Manually Adjustable Platens, 2 Functions

PLP-36SMPA548	3,600	15 x 48	34-42	II	6.7	8.3	10.7	1,115
PLP-36SMPA848		18 x 48	37-45			9.2	10.1	1,165
PLP-48SMPB548	4,800	15 x 48	34-42	II	6.7	8.6	10.3	1,145
PLP-48SMPB848		18 x 48	37-45			9.5	9.8	1,200
PLP-48SMPB548		15 x 48	34-42	III		8.6	10.3	1,165
PLP-48SMPB848		18 x 48	37-45			9.5	9.8	1,220

Mark 55 Series Push/Pulls

- ▶ Handles Chop Mark 55 4-way pallets
- ▶ Handles standard Chop, GMA, Europallets, and many others
- ▶ Handles slipsheeted loads
- ▶ Hydraulically positioned outer platens, fixed inner platens
- ▶ ITA Class II or III mounting - easily convertible



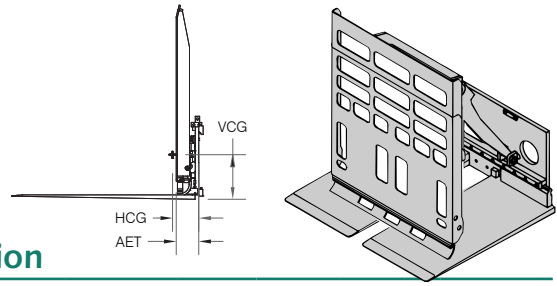
Model Number	Capacity lb @ 24"	Platen Size, Inner W x L (in)	Platen Size, Outer W x L (in)	Mounting Class	Lost Load AET (in.)	HCG (in)	VCG (in)	Weight (lb)
PLH-36SFPC748	3,600	3 x 48	7 x 48	II	6.7	7.5	11.2	1,115
PLH-48SFPC748	4,800	3 x 48	7 x 48	III	6.7	7.5	10.8	1,145

Notes

: Requires four-way auxiliary truck valve. Solenoid valve included on sideshifting models, electrical power required.

PLP 500/60/62/80 Series Push/Pulls

- ▶ Designed for reliability and performance
- ▶ Constant push plate alignment
- ▶ High visibility design
- ▶ Fully tapered and polished platens



PLP 500/62/80 Push/Pulls, Non-Sideshifting, 1 Function

Model Number	Capacity lb @ 24"	Push Stroke (in)	Platen Size, W x L (in)	Platen Out-to-Out (in)	Mounting Class	Lost Load AET (in)	HCG (in)	VCG (in)	Weight (lb)
PLP500FFP7A	5,000	50	15 x 48	34	II	7.9	7.9	12.1	1,535
PLP500FFP3A			18 x 48	40			8.5	11.8	1,605
PLP500FFP11B			15 x 48	34			8.4	16.6	1,675
PLP500FFP4B	5,000	50	18 x 48	40	III	8.1	9.0	16.3	1,760
PLP60FFP19B			15 x 48	34			8.4	16.7	1,725
PLP60FFP2B			18 x 48	40			9.0	16.4	1,825
PLP62RFP20A	5,000	62 ¹	15 x 60	34	II	7.9	9.1	13.9	2,105
PLP62RFP11A			18 x 60	40			9.8	13.6	2,205
PLP80RFP20B			15 x 60	34			9.4	14	2,155
PLP80RFP11B	6,000	62 ¹	18 x 60	40	III	8.1	10.0	13.7	2,255
PLP80LSRFP21B			15 x 70	34			12.2	14.4	2,475
PLP80LSRFP22B			18 x 70	40			12.8	14.1	2,600

PLPS 500/62/80 Push/Pulls, Sideshifting, 2 Functions

PLPS500FFP7A	5,000	50	15 x 48	34	II	7.9	7.7	12.2	1,580
PLPS500FFP3A			18 x 48	40			8.4	11.9	1,655
PLPS500FFP11B			15 x 48	34			8.2	12	1,710
PLPS500FFP4B	5,000	50	18 x 48	40	III	8.1	8.9	11.7	1,795
PLPS60FFP19B			15 x 48	34			8.2	16.5	1,750
PLPS60FFP2B			18 x 48	40			8.9	16.2	1,850
PLPS62RFP20A	5,000	62 ¹	15 x 60	34	II	7.9	9.2	14	2,130
PLPS62RFP11A			18 x 60	40			9.8	13.7	2,230
PLPS80RFP20B			15 x 60	34			9.4	14.1	2,205
PLPS80RFP11B	6,000	62 ¹	18 x 60	40	III	8.1	10.0	13.8	2,305
PLPS80LSRFP2B			15 x 70	34			12.2	14.2	2,475
PLPS80LSRFP22B			18 x 70	40			12.5	13.9	2,650

¹ Non-tilting push plate standard.

Lower Mounting Hooks

Style	Class	Description
Non-Sideshifting	II	Bolt-On
		Quick Change
	III	Bolt-On
		Quick Change
Sideshifting	II	Bolt-On
		Quick Change ²
	III	Bolt-On
		Quick Change

² Includes sub-carriage.

Recommended Hydraulic Supply

Model Number	Flow (gpm)	Max psi
All Models	9-12	2,250

Hydraulic flow less than minimum may reduce operating speed and/or cause irregular arm movement. Higher flow may result in heat build-up, erratic operation and shortened hydraulic system life.

Minimum Truck Carriage Width

Model Number	Minimum Truck Carriage Width (in)
PLP500 / PLPS500 / PLP60 / PLPS60 / PLP62 / PLPS62	32 / 39
PLP80 / PLPS80	37 / 39