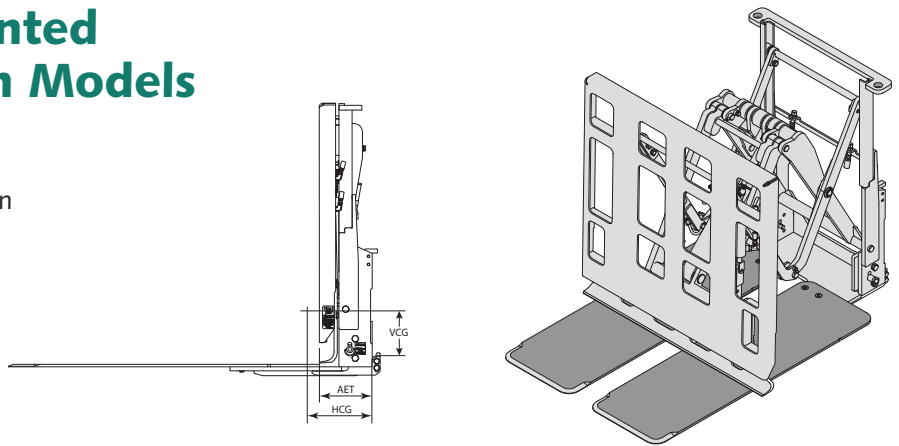


PLFB/LPFB Fork-Mounted Push/Pull & Load Push Models

- ▶ Easily mounts to truck forks
- ▶ Rugged welded steel design
- ▶ Linkage mechanism requires no lubrication



PLFB Series Fork-Mounted Push/Pull, 1 Function

Model Number	Capacity lb @ 24"	Platen Size, W x L (in)	Platen Out-to-Out (in)	Mounting Class	Lost Load AET (in)	HCG (in)	VCG (in)	Weight (lb)
PLFB-36NMPA840		18 x 40	40 or 46			10.1	12.2	850
PLFB-36NMPA548	3,600	15 x 48	34 or 40	II/III	8.2	10.8	12.2	850
PLFB-36NMPA848		18 x 48	40 or 46			11.6	11.7	885
PLFB-48NMPB840		18 x 40	40 or 46			10.1	12.2	850
PLFB-48NMPB548	4,800	15 x 48	34 or 40	II/III	8.2	10.8	12.2	850
PLFB-48NMPB848		18 x 48	40 or 46			11.6	11.7	885

LPFB Series Fork-Mounted Load Push, 1 Function

LPFB-36NMPA840		18 x 40	40 or 46			10.6	12.8	770
LPFB-36NMPA548	3,600	15 x 48	34 or 40	II/III	8.2	11.3	12.8	770
LPFB-36NMPA848		18 x 48	40 or 46			12.1	12.3	805
LPFB-48NMPB840		18 x 40	40 or 46			10.6	12.8	770
LPFB-48NMPB548	4,800	15 x 48	34 or 40	II/III	8.2	11.3	12.8	770
LPFB-48NMPB848		18 x 48	40 or 46			12.1	12.3	805



Mounting Requirements

All fork-mounted models must be supported by the forks of lift truck for load handling. Recommended fork length is 6" less than platen length. Forks up to 1.75" thick and minimum in to in spacing of 22" when model is installed.



Installation Kits

Model Number	Number of Functions
YHJL-6-S-30	1
YHJL-8-S-30	1
YHJL-6-D-30	2
YHJL-8-D-30	2



Optional Features

Options

Push Plate Extensions

(Standard faceplate is 40" wide x 40" high)

Height to 48"

Width to 48"

Non-Standard Platen Sizes

Non-Standard Push Plate Over Platen Clearance (Load Push Only) 3" gap standard

Quick Disconnect Hydraulic Couplings

Sideshift – PLF/LPF mounts on a standard ITA Class II or III Sideshifter. Recommended width of 32" or wider.

[See Section B](#)