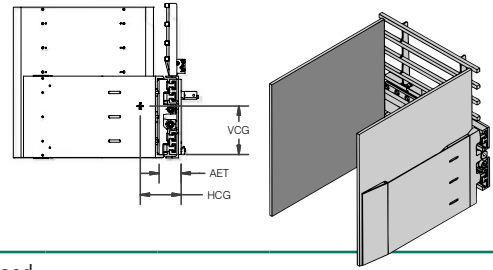


Double-Wide Carton Clamp

- ▶ Designed for handling one or two unit loads at a time
- ▶ Clean, grease-free handling.
- ▶ Repair-in-Place serviceability

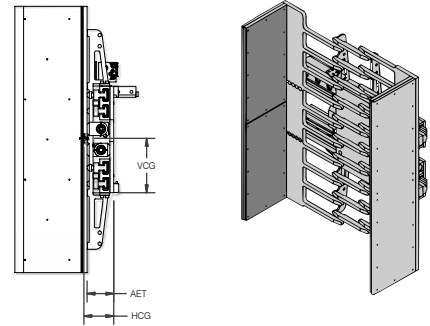


Sideshifting Carton Clamps, 2 Functions

Model Number	Capacity lbs @ 24"	Opening Range (in)	Arm Size L x H (in)	Mounting Class	Lost Load AET (in)	HCG (in)	VCG (in)	Weight (lbs)
LCC-3DNS-B4848	3,500	26-102	48 x 48	II	5.0	12.4	14.7	1,690

Mini-Arm Appliance Clamps

- ▶ Designed to handle large carton items such as washers, dryers, freezers and furniture

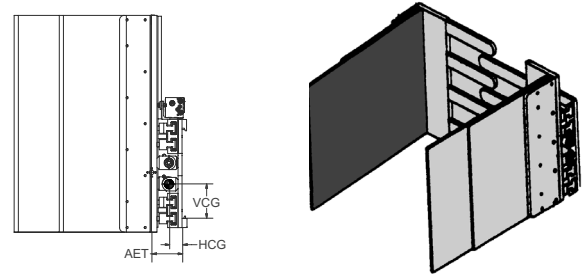


Sideshifting Appliance Clamp, 2 Functions

Model Number	Capacity lbs @ 18"	Opening Range (in)	Arm Size L x H (in)	Mtg. Class	Lost Load AET (in)	HCG (in)	VCG (in)	Weight (lb)
LCC-25NS-M1540			15 x 40			5.7	17.0	1,150
LCC-25NS-M1560	2,500	27-81	15 x 60	II	7.0	6.2	27.0	1,270
LCC-25NS-M1572			15 x 72			6.9	33.0	1,340

Razor-Flex Arm Design

- ▶ Designed to handle large loads with a thin arm profile
- ▶ Larger Capacity Available



Sideshifting Carton Clamp, 2 Functions

Model Number	Capacity lbs @ 24"	Opening Range (in)	Arm Size L x H (in)	Mounting Class	Lost Load AET (in)	HCG (in)	VCG (in)	Weight (lb)
LCC-25NS-F3030			30 x 30			6.3	10.2	880
LCC-25NS-F3430	2,500	17.9-67.6	34 x 30	II	5.75	6.3	10.2	905
LCC-25NS-F3048			30 x 48			6.4	10.2	1,160

Lower Mounting Hooks

Model Number	Mounting Class	Angle (°)	Description
ANO	II	0	Bolt-On
AQ0			Quick Change

Installation Kits

Model Number	Number of Functions
YHJL-6-D-30	2
YHJL-8-D-30	

Includes the hoses and fittings to connect a standard attachment to the hose terminal on the lift truck carriage.

Recommended Hydraulic Supply

Model Number	Flow (gpm)	Max psi
All Models	7-9	2,500

Hydraulic flow less than minimum may reduce operating speed and/or cause irregular arm movement. Higher flow may result in heat build-up, erratic operation and shortened hydraulic system life.

Minimum Truck Carriage Width

Model Number	Body Width (in)	Minimum Truck Carriage Width (in)
LCC-3D	62	39
LCC-25	41	35