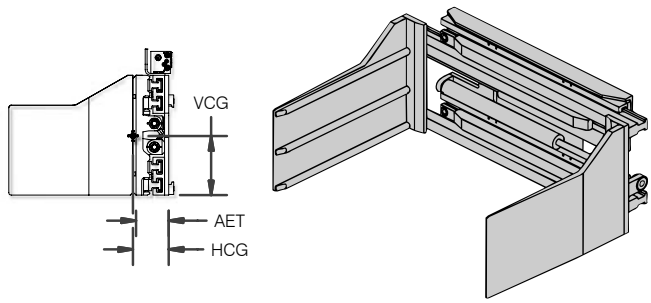


# LCB/NSQ Bale Clamps

- ▶ LCB Series – for capacities through 8,000 lb
- ▶ NSQ Series for higher capacities
- ▶ Clean, grease-free handling – no lubrication required
- ▶ Fully protected control valve on non-sideshifting LCB models
- ▶ Thicker channel style arms for added strength & durability above 7,000 lbs



## Non-Sideshifting Bale Clamps, 1 Function

Model Number	Capacity lb @ 24"	Opening Range (in)	Arm Size H x L (In)	Mounting Class	Lost Load AET (in)	HCG (in)	VCG (in)	Weight (lb)
LCB-25NN-B1527			15 x 27			7.4		785
LCB-25NN-B1532	2,500	18.5–65.3	15 x 32	II	5.0	8.9	9.4	840
LCB-25NN-B1836			18 x 36			10.1		885
LCB-35NN-B1527			15 x 27			7.1		827
LCB-35NN-B1532			15 x 32			8.1		864
LCB-35NN-B1836	3,500	18.5–70.3	18 x 36	II	5.0	9.8	9.4	927
LCB-35NN-B1840			18 x 40			11.2		1,019
LCB-35NN-B1848		18.0–69.8	18 x 48			14.1		1,125
LCB-50NN-B1827			18 x 27			7.0 / 8.0		851
LCB-50NN-B1832			18 x 32			8.4 / 9.4		906
LCB-50NN-B1836	5,000	21.5–75.9	18 x 36	II or III	5.0 / 6.0	9.6 / 10.6	9.4	951
LCB-50NN-B1840			18 x 40			11.0 / 12.0		1,043
LCB-50NN-B1848		21.0–75.4	18 x 48			13.8 / 14.8		1,149
LCB-5GNN-B1827	5,000	19.0–91.8	18 x 27	II or III	5.5 / 6.5	5.7 / 6.7	9.6	1,184
LCB-5GNN-B1832			18 x 32			6.8 / 7.8		1,240
LCB-5GNN-BC527	5,000	19.0–91.8	15 x 27	II or III	5.5 / 6.5	4.7 / 5.7	10.0	1,189
LCB-5ENN-BC527		37.5–128.3	15 x 27			6.2 / 7.2		1,364
LCB-5ENN-B1827	5,000	37.5–128.3	18 x 27	II or III	5.5 / 6.5	5.2 / 6.2	9.6	1,386
LCB-5ENN-B1832			18 x 32			6.2 / 7.2		1,441
LCB-70NN-B1850	7,000	20–84	18 x 50	III	7.3	11.3	11.5	1,960
LCB-7ANN-B2660	7,000	23–93	26 x 60	III	7.3	16.0	11.9	2,580
LCB-85NN-B1850	8,500	20–84	18 x 50	III or IV	7.3	11.4	12.5	2,010
LCB-85NN-B1860			18 x 60			12.3		2,085
NSQ-20DD-B3086	20,000	50–125	30 x 86	None	9.2	16.4	19.0	5,900 <a href="#">Consult Factory</a>

## Optional Mounting Hooks

	Description
Class II	Quick Change Hooks
Class III	Quick Change Hooks
Class IV	Quick Change Hooks
Pin/Shaft Mounting	<a href="#">Consult Factory</a>
Mounting other than shown, consult factory.	

## Optional Equipment

See Page E-22 for additional information.

## Minimum Truck Carriage Width

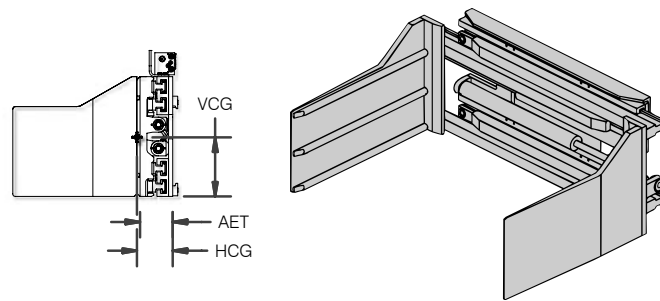
See Page E-7

## Cotton Bale Handling Capacity

Model Number	Maximum Capacity (Bales)				
	Min. Cap. (Bales)	Gin Flat	Gin Univ. & Gin Standard	Compress Univ. & Compress Std.	Compress HI-D
LCB-25	1	2	2	2	2
LCB-35	1	2	3	2	3
LCB-50	2	2	3	2	3
LCB-5G	1	3	4	3	4
LCB-5E	2	4	5	4	4
LCB-7A	2	8	8	8	8
LCB-70 / LCB-85	2	6	6	6	6
NSQ20	N/A	16	24	20	20

# LCB/NSQ Bale Clamps

- ▶ LCB Series – for capacities through 8,000 lb
- ▶ NSQ Series for higher capacities
- ▶ Clean, grease-free handling – no lubrication required
- ▶ Thicker channel style arms for added strength & durability above 7,000 lbs



## Sideshifting Bale Clamps, 2 Functions

Model Number	Capacity lb @ 24"	Opening Range (in)	Arm Size H x L (in)	Mounting Class	Lost Load AET (in)	HCG (in)	VCG (in)	Weight (lb)
LCB-25NS-B1527			15 x 27			7.4		785
LCB-25NS-B1532	2,500	18.5–65.3	15 x 32	II	5.0	8.9	9.4	840
LCB-25NS-B1836			18 x 36			10.1		885
LCB-35NS-B1527			15 x 27			7.1		827
LCB-35NS-B1532			15 x 32			8.1		864
LCB-35NS-B1836	3,500	18.5–70.3	18 x 36	II	5.0	9.8	9.4	927
LCB-35NS-B1840			18 x 40			11.2		1,019
LCB-35NS-B1848		18–69.8	18 x 48			14.1		1,125
LCB-50NS-B1827			18 x 27			7.0		851
LCB-50NS-B1832			18 x 32			8.4		906
LCB-50NS-B1836	5,000	21.5–75.9	18 x 36	II or III	5.0	9.6	9.4	951
LCB-50NS-B1840			18 x 40			11.0		1,043
LCB-50NS-B1848		21–75.4	18 x 48			13.8		1,149
LCB-5GNS-B1827			18 x 27			5.7		1,184
LCB-5GNS-B1832	5,000	19–91.8	18 x 32	II or III	5.5	6.8	9.6	1,240
LCB-5GNS-BC527		19–91.8	15 x 27	II or III	5.5	4.7	10.0	1,189
LCB-5ENS-BC527	5,000	37.5–128.3	15 x 27			6.2		1,364
LCB-5ENS-B1827			18 x 27			5.2		1,386
LCB-5ENS-B1832	5,000	37.5–128.3	18 x 32	II or III	5.5	6.2	9.6	1,441
LCB-70NS-B1850		20–84	18 x 50	III	7.3	11.3	11.5	1,960
LCB-7ANS-B2660	7,000	23–93	26 x 60	III	7.3	16.0	11.9	2,580
LCB-85NS-B1850		20–84	18 x 50			11.4	10.9	2,010
LCB-8ANS-B1860	8,500		18 x 60	III or IV	7.3	12.3		2,158
NSQ-20DS-B3086	20,000	50–125	30 x 86	None	9.2	16.4	19.0	5,900 <a href="#">Consult Factory</a>

### ! Minimum Truck Carriage Width

Model Number	Body Width (in)	Minimum Truck Carriage Width (in)
LCB-25	36	30
LCB-35	41	35
LCB-50	41	35
LCB-5G	62	32.5
LCB-5E	68	39
LCB-70	50	36
LCB-7A	62	39
LCB-80	50	36
NSQ-20	72	Consult Factory

### Recommended Hydraulic Supply

Model Number	Flow (gpm)	Max psi
LCB-25 / 35 / 50 / 5G / 5E	7–10	2,500
LCB-70 / 7A / 85 / 8A	7–10	2,500
NSQ-20	15–18	2,250

Hydraulic flow less than minimum may reduce operating speed and/or cause irregular arm movement. Higher flow may result in heat build-up, erratic operation and shortened hydraulic system life.

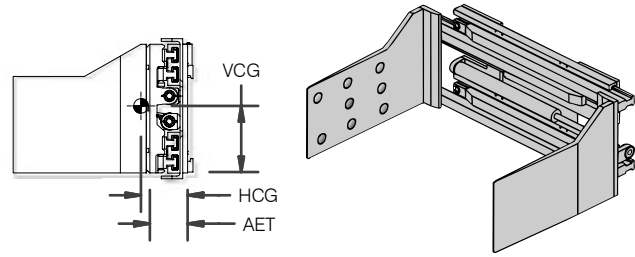
### Installation Kits

Model Number	Number of Functions
YHJL-6-D-30	
YHJL-8-D-30	2

Includes the hoses and fittings to connect a standard attachment to the hose terminal on the lift truck carriage.

# LCB Bale Clamps with Cott-n-Ball™ Arms

- ▶ Cott-n-Ball arm design allows for easy tipping
- ▶ Clean, grease-free handling – no lubrication required
- ▶ Cott-n-Balls helps protect bale wrappers from tearing



## Non-Sideshifting Bale Clamps, 1 Function

Model Number	Capacity lb @ 24"	Opening Range (in)	Arm Size H x L (In)	Mounting Class	Lost Load AET (in)	HCG (in)	VCG (in)	Weight (lb)
LCB-25NN-BB827	2,500	18.5–65.3	18 x 27	II	5.0	7.4	9.4	785
LCB-35NN-BB827	3,500	18.5–70.3	18 x 27	II	5.0	7.1	9.4	827
LCB-5GNN-BB827	5,000	19.0–91.8	18 x 27	II or III	5.5 / 6.5	5.7 / 6.7	9.6	1,184
LCB-5ENN-BB827	5,000	37.5–128.3	18 x 27	II or III	5.5 / 6.5	5.2 / 6.2	9.6	1,386

## Sideshifting Bale Clamps, 2 Functions

Model Number	Capacity lb @ 24"	Opening Range (in)	Arm Size H x L (In)	Mounting Class	Lost Load AET (in)	HCG (in)	VCG (in)	Weight (lb)
LCB-25NS-BB827	2,500	18.5–65.3	18 x 27	II	5.0	7.4	9.4	785
LCB-35NS-BB827	3,500	18.5–70.3	18 x 27	II	5.0	7.1	9.4	827
LCB-5GNS-BB827	5,000	19.0–91.8	18 x 27	II or III	5.5	5.7	9.6	1,184
LCB-5ENS-BB827	5,000	37.5–128.3	18 x 27	II or III	5.5	5.2	9.6	1,386

Includes the hoses and fittings to connect a standard attachment to the hose terminal on the lift truck carriage.

## Optional Mounting Hooks

	Description
Class II	Quick Change Hooks
Class III	Quick Change Hooks

Mounting other than shown, consult factory.

## Optional Equipment

See Page E-22 for additional information.

## Recommended Hydraulic Supply

Model Number	Flow (gpm)	Max psi
LCB-25 / 35 / 5G / 5E	7–10	2,500
LCB-25RN thru LCB-5GRN	12	2,500
LCB-70RN	12	2,500
LCB-85RN	24	2,500

Hydraulic flow less than minimum may reduce operating speed and/or cause irregular arm movement. Higher flow may result in heat build-up, erratic operation and shortened hydraulic system life.

## Installation Kits

Model Number	Number of Functions
YHJL-6-D-30	2
YHJL-8-D-30	

Includes the hoses and fittings to connect a standard attachment to the hose terminal on the lift truck carriage.

## Cotton Bale Handling Capacity

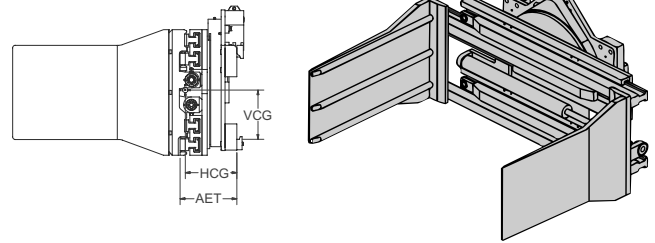
Model Number	Max. Cap. (Bales)	Maximum Capacity (Bales)			
		Gin Flat	Gin Univ. & Gin Standard	Compress Univ. & Compress Std.	Compress HI-D
LCB-25	1	2	2	2	2
LCB-35	1	2	3	2	3
LCB-50	2	2	3	2	3
LCB-5G	1	3	4	3	4
LCB-5E	2	4	5	4	4
LCB-7A	2	8	8	8	8
LCB-70 / LCB-85	2	6	6	6	6
NSQ-20DD	N/A	16	24	20	20

## Minimum Truck Carriage Width

Model Number	Body Width (in)	Minimum Truck Carriage Width (in)
LCB-25	36	30
LCB-25RN	36	29
LCB-35	41	35
LCB-35RN	41	29
LCB-5G	62	39
LCB-5GRN	62	33
LCB-5E	68	39
LCB-50RN	41	33
LCB-70	50	34
LCB-85	50	36

# LCB 360° Rotating Bale Clamps

- ▶ LCB Series – for capacities to 5,000 lb
- ▶ Clean, grease-free handling – no lubrication required
- ▶ Thin slab style arms for easy entry between stack



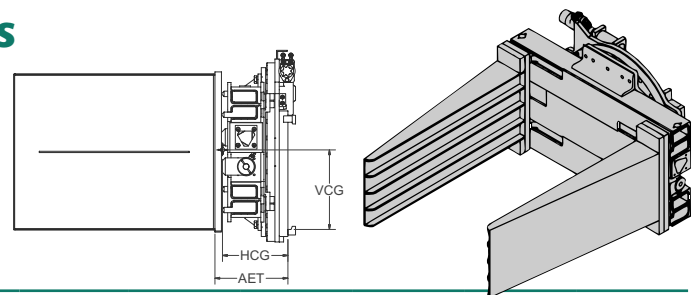
## 360° Rotating Bale Clamps, 2 Functions

Model Number	Capacity lb @ 24"	Opening Range (in)	Arm Size H x L (in)	Mounting Class	Mounting Angle (°) <sup>1</sup>	Lost Load AET (in)	HCG (in)	VCG (in)	Weight (lb)
LCB-25RN-B1527	2,500	18.0–64.8	15 x 27	II	0	10.4	10.1	10.5	1,285
LCB-25RN-B1532			15 x 32			10.4	11.2	10.5	1,350
LCB-25RN-B1836			18 x 36			10.4	12.3	10.5	1,405
LCB-35RN-B1527	3,500	18.0–69.8	15 x 27	II	0	10.4	10.0	10.4	1,325
LCB-35RN-B1532			15 x 32			10.4	11.5	10.5	1,418
LCB-35RN-B1836			18 x 36			10.4	12.1	10.5	1,447
LCB-35RN-B1840			18 x 40			10.4	13.2	10.5	1,500
LCB-35RN-B1848			18 x 48			10.4	15.4	10.6	1,610
LCB-50RN-B1827	5,000	21.0–75.4	18 x 27	II	0	10.4	9.5	11.3	1,578
			III	0	10.1	9.4	1,582		
LCB-50RN-B1832			18 x 32	II	0	10.4	10.3		1,610
			III	0	10.1	10.2	1,615		
LCB-50RN-B1836			18 x 36	II	0	10.4	11.3	11.3	1,700
			III	0	10.1	11.2	1,705		
LCB-50RN-B1840	18 x 40	II	0	10.4	12.2	11.3	1,753		
	III	0	10.1	12.1	1,758				
LCB-50RN-B1848	18 x 48	II	0	10.4	14.2	11.3	1,862		
	III	0	10.1	14.1	1,867				
LCB-5GRN-B1827	5,000	19.0–91.8	18 x 27	II	0	10.9	9.4	11.2	1,790
			III	0	10.6	9.3	1,795		
LCB-5GRN-B1832			18 x 32	II	0	10.9	10.4	11.2	1,880
	III	0	10.6	10.3	1,885				

<sup>1</sup> Four degree (4°) mounting available at no charge.

# NSQ 360° Rotating Bale Clamps

- ▶ NSQ Series for higher capacities
- ▶ Channel style arms for added strength and durability
- ▶ Clean, grease-free handling – no lubrication required
- ▶ Other capacities available; consult factory



## 360° Rotating Bale Clamps, 2 Functions

Model Number	Capacity lb @ 24"	Opening Range (in)	Arm Size H x L (in)	Mounting Class	Mounting Angle (°) <sup>1</sup>	Lost Load AET (in)	HCG (in)	VCG (in)	Weight (lb)
NSQ-65RN-B1850	6,500	20–84	18 x 50	III	0	13.2	11.8	18.8	2,950
				IV	0	14.6	11.8	15.5	2,975
NSQ-80RN-B1850	8,000	20–84	18 x 50	III	0	13.2	12.0	19.0	3,220
				IV	0	14.6	12.0	17.0	3,245
NSQ-80RN-B1860	8,000	20–84	18 x 60	III	0	13.2	13.4	19.0	3,275
				IV	0	14.6	13.4	17.0	3,000

<sup>1</sup> Four degree (4°) mounting available at no charge.